

KT-190
KT-200

OPERATOR'S
MANUAL

• Castellano – pág. 11

Pipe Thawing Units



⚠ WARNING!

Read this Operator's Manual carefully before using this tool. Failure to understand and follow the contents of this manual may result in electrical shock, fire and/or serious personal injury.

RIDGID[®]

Table of Contents

Recording Form for Machine Serial Number	1
General Safety Information	
Work Area Safety	2
Electrical Safety.....	2
Personal Safety	2
Tool Use and Care	3
Service	3
Specific Safety Information	
Tool Safety	3
Description and Specifications	
Description	3
Specifications	3
Standard Equipment.....	4
Accessories	4
Cables and Clamps	4
Problem Diagnostics	
Main Service Lines	4
Tap Water Lines	4
Tool Assembly	5
Tool Inspection	5
Tool Set-Up	5
Operating Instructions	
Thawing Tap Water Lines	6
Tool Removal	7
Thawing Frozen Hydronic Systems.....	7
Single Zone System	7
Multi-Zone System	8
Isolating Multi-Zone Systems	8
Special Applications Procedure	
Increasing Thawing Capacity on KT-200 Only	8
Series Operation	8
Parallel Operation.....	9
Maintenance Instructions	9
Tool Storage	9
Service and Repair	9
Electrical Schematics	10
Lifetime Warranty	Back Cover



KT-190 and KT-200 Pipe Thawing Units



KT-190 and KT-200 Pipe Thawing Units	
Record Serial Number below and retain product serial number which is located on nameplate.	
Serial No.	

General Safety Information

WARNING! Read and understand all instructions. Failure to follow all instructions listed below may result in electric shock, fire, and/or serious personal injury.

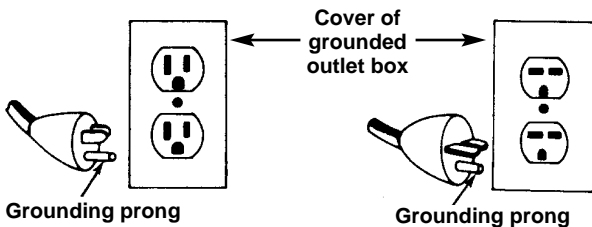
SAVE THESE INSTRUCTIONS!

Work Area Safety

- **Keep your work area clean and well lit.** Cluttered benches and dark areas invite accidents.
- **Do not operate these tools in explosive atmospheres, such as in the presence of flammable liquids, gases, or dust.** Electrical switches may create sparks which may ignite dust or fumes.
- **Keep bystanders, children, and visitors away while operating a Pipe Thawing Unit.** Distractions can cause you to lose control.

Electrical Safety

- **Grounded tools must be plugged into an outlet, properly installed and grounded in accordance with all codes and ordinances. Never remove the grounding prong or modify the plug in any way. Do not use any adapter plugs. Check with a qualified electrician if you are in doubt as to whether the outlet is properly grounded.** If the tool should electrically malfunction or break down, grounding provides a low resistance path to carry electricity away from the user.



- **Avoid body contact with grounded surfaces such as pipes, radiators, ranges and refrigerators.** There is an increased risk of electrical shock if your body is grounded.
- **Do not expose power tools to rain or wet conditions.** Water entering an electrical tool will increase the risk of electrical shock.
- **Do not abuse cord. Never use the cord to carry the tools or pull the plug from an outlet. Keep cord away from heat, oil, sharp edges, or moving parts.** Replace damaged cords immediately. Damaged cords increase the risk of electrical shock.
- **When operating an electrical tool outside, use an outdoor extension cord marked "W-A" or "W".**

These cords are rated for outdoor use and reduce the risk of electrical shock.

- **Use only three-wire extension cords which have three-prong grounding plugs, and three-pole receptacles which accept the tools plug.** Use of other extension cords will not ground the tool and increases the risk of electrical shock.
- **Use proper extension cords.** (See chart.) Insufficient conductor size will cause excessive voltage drop, loss of power, and overheating.

Minimum Wire Gauge for Cord Set	
Total Length (in feet)	
0 – 25	14 AWG
26 – 50	12 AWG
Over 50 ft.	NOT RECOMMENDED

- **Keep all electric connections dry and off the ground. Do not touch plugs or tool with wet hands.** Reduces the risk of electrical shock.

Personal Safety

- **Stay alert, watch what you are doing and use common sense when operating a tool. Do not use tool while tired or under the influence of drugs, alcohol or medications.** A moment of inattention while operating tools may result in serious personal injury.
- **Avoid accidental starting. Be sure switch is OFF before plugging in.** Plugging in machines that have the switch ON invites accidents.
- **Do not over-reach. Keep proper footing and balance at all times.** Proper footing and balance enables better control of the tool in unexpected situations.
- **Use safety equipment. Always wear eye protection.** Dust mask, non-skid safety shoes, hard hat, or hearing protection must be used for appropriate conditions.

Tool Use and Care

- **Do not use tool if switch does not turn it ON or OFF.** Any tool that cannot be controlled with the switch is dangerous and must be repaired.
- **Store idle tools out of the reach of children and other untrained persons.** Tools are dangerous in the hands of untrained users.
- **Maintain tools with care.** Properly maintained tools are less likely to cause injury.
- **Check for breakage of parts, and any other condition that may affect the tool's operation. If damaged, have the tool serviced before using.** Many accidents are caused by poorly maintained tools.

- **Use only accessories that are recommended by the manufacturer for your tool.** Accessories that may be suitable for one tool may become hazardous when used on another tool.
- **Inspect tool and extension cords periodically and replace if damaged.** Damaged cords increase the risk of electrical shock.
- **Keep handles dry and clean; free from oil and grease.** Allows for better control of the tool.
- **Disconnect the plug from the power source before making any adjustments, changing accessories, or storing the unit.** These preventative safety measures reduce the risk of accidentally starting the unit.

Service

- **Tool service must be performed only by qualified repair personnel.** Service or maintenance performed by unqualified repair personnel could result in injury.
- **When servicing a tool, use only identical replacement parts. Follow instructions in the Maintenance Section of this manual.** Use of unauthorized parts or failure to follow maintenance instructions may create a risk of electrical shock or injury.
- **Disconnect all power from the unit before servicing.** Eliminates the risk of electrical shock and accidental starting.

Specific Safety Information

▲ WARNING

Read this operator's manual carefully before using the Pipe Thawing Tools. Failure to understand and follow the contents of this manual may result in electrical shock, fire and/or serious personal injury.

Call the Ridge Tool Company, Technical Service Department at (800) 519-3456 if you have any questions.

Tool Safety

- **Tool is made to thaw frozen iron or copper water pipes. Follow the instructions on proper use.** Other uses may increase the risk of injury.
- **Do not leave the unit unattended while thawing.** Such preventive measures reduce the risk of injury or fire.
- **Do not touch the clamp tips or cable connections.** Reduces the risk of burns.
- **Do not operate unit with housing removed.** Exposure to internal parts may result in injury.

- **Make both pipe connections before plugging in unit.** Prevents electrical arcing between the clamps and the pipe.
- **Use cable and clamps provided with unit.** Incorrect cables may result in overheating of the wires.
- **Keep clamps away from combustible materials or articles that can be damaged by heat.** Clamp tips become hot during use.

Description and Specifications:

Description

The RIDGID Pipe Thawing Machines are easy-to-use, and versatile for thawing 1/2" to 1 1/2" copper or steel/iron pipe up to 150 feet (KT-200). Both the KT-190 and KT-200 use low voltage and high amperage to quickly thaw frozen tap water lines and frozen heating systems.

This method does not require that you know exactly where the frozen section is nor do you have to have direct access to the area. The KT-190 and KT-200 will thaw copper or steel pipe that is underground, beneath the floor or behind walls. Multiple voltage settings on the KT-200 allow for maximum amperage to provide the shortest thawing time. Vinyl coated clamps with 25 foot cables, standard with both units, permit thawing of a 50' section of pipe. Additional 25' cable extensions are available for longer runs.

Specifications

Line Capacity:

Primarily recommended for all indoor copper or steel pipes from 1/2" to 1 1/2". Thawing units will not work with plastic pipe or lines containing plastic or rubber couplings.

Thawing Unit:

Input115 Volts, 15 Amps

	KT-190	KT-200
Output.....	6.0 Volts	4.5 - 7.6 Volts
Output.....	300 Amps	300 Amps
Minimum Reach	15'	4'
Maximum Reach	75'	150'
Weight	25 lbs	29 lbs
Weight	11.4 kgs	13.2 kgs

Standard Equipment

Qty. Item

- 1Thawing Unit, Model KT-190 or KT-200. 115 volts, 15 Amps.
- 2Cables, 25 feet in length, with a vinyl coated spring clamp on one end and a mounting loop on the other.

Accessories

- Extension Cable, 25 feet, # 1/0 AWG c/w nut & bolt. Catalog No. 62772
- Series Cable, 3 feet, # 1/0 AWG Catalog No. 62812



Figure 1 – KT-200 Pipe Thawing Tool

Cables and Clamps

25 feet in length with vinyl coated clamp.

	KT-190	KT-200
Size	#2 AWG	#1/0 AWG
Weight	19 lbs/Pair (8.6 kgs)	23 lbs/Pair (10.5 kgs)

Problem Diagnostics

Main Service Lines

If there is no running water anywhere in the house, the main service from the curb valve to the house is frozen. The service can be thawed by placing one clamp on a tap water line in the basement and the other on the curb key attached to the curb valve. Make sure there is contact between the curb key and valve. Extension Cables are required if runs exceed 50 feet. Additional thawing units may be required to reduce thawing time. Refer to Special Application Procedure for Series Set-Up.

Tap Water Lines

Locate the frozen line by opening faucets and checking for water flow. The frozen section will normally be in an outside wall or in a crawl space with poor insulation. If one faucet does not have running water and the next faucet does, frozen section is between faucets. Place clamps on either hot or cold water lines, not on faucets.

Refer to **Thawing Tap Water Lines** for procedure.

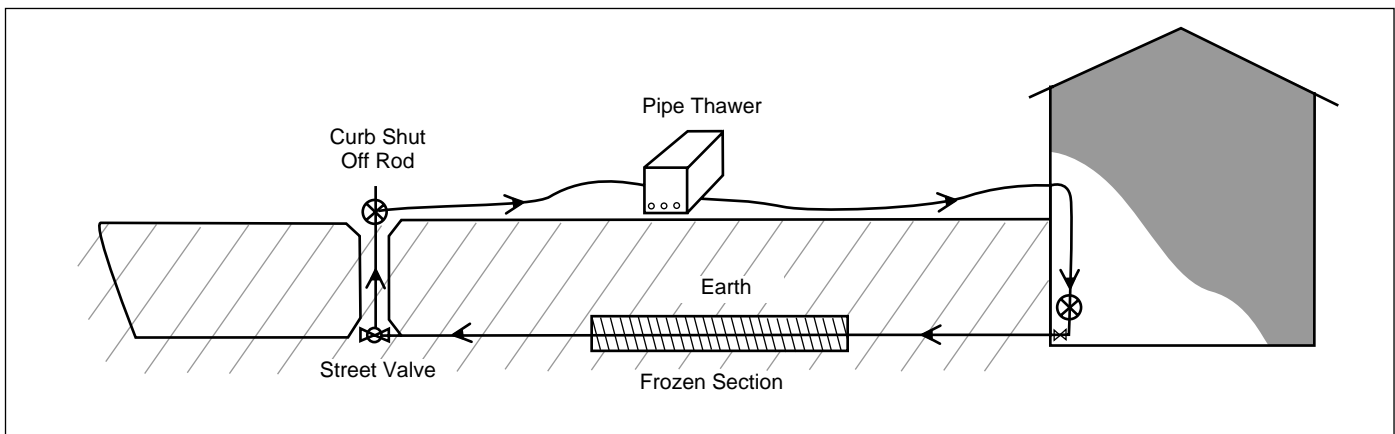


Figure 2 – Thawing Main Service Lines

Tool Assembly

▲ WARNING

To prevent serious injury, proper assembly of the Thawing Tool is required. The following procedures should be followed:



Figure 3 – Thawing Tool with Cables Installed

Installing Cables with Clamps

1. Remove retaining nut from one of the lugs on back of unit.
2. Slip looped end of cable onto lug bolt with flat side towards unit.
3. Reinstall lug nut and secure tightly.
4. Ensure looped end of cable does not contact housing.
5. Repeat steps 1 and 2 for remaining lug.

NOTE! If cable leads are not securely fastened to thawing unit, thawing time may be extended and/or unit may not function properly.

Tool Inspection

▲ WARNING



To prevent serious injury, inspect your Pipe Thawing Tool. The following procedures should be followed.

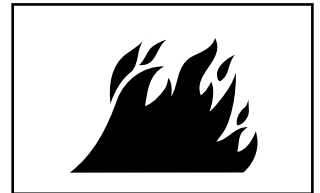
1. Make sure Pipe Thawing Tool is unplugged and the control switches are in the OFF position.
2. Inspect the power cord and plug for damage. If the plug has been modified, is missing the grounding prong or if the cord is damaged, do not use the Thawing Tool until the cord has been replaced.
3. Inspect the cables and clamps for damage. Be sure

cable leads are securely fastened to thawing unit. If cable or clamps are damaged, do not use the Thawing Tool until they are replaced. Only use cable and clamps provided with the unit.

4. Clean any oil, grease or dirt from handles, controls and clamps.
5. Inspect the Thawing Tool for any broken or missing parts as well as damage to the metal enclosure. If any of these conditions are present, do not use the Thawing Tool until any problem has been repaired.

Tool Set-Up

▲ WARNING



To prevent serious injury, proper set-up of the tool and work area is required. The following procedures should be followed to set-up the Pipe Thawing Tool.

1. Check work area for:
 - Adequate lighting
 - 15 Amp grounded electrical outlet
 - Clear path to the electrical outlet that does not contain any sources of heat or oil, sharp edges or moving parts that may damage electrical cord.
 - Dry place for tool and operator. Do not use the tool while standing in water.
 - Flammable liquids, vapors or dust that may ignite.
2. Position KT-190 or KT-200 Pipe Thawer near the area suspected of having a frozen section of pipe.
3. Make sure unit is unplugged and turned OFF. (Switch on KT-190 is in the down (OFF) position. Center switch on KT-200 is in the middle (OFF) position).
4. Uncoil both cables completely and insure they are not overlapping or in contact.
5. Follow instructions on proper placement of clamps.

▲ WARNING Making pipe connections before plugging in unit prevents arcing between clamp and pipe.

NOTE! Whenever making connections, clean pipe of paint, scale rust, etc. to ensure good amperage flow from the clamps to the pipe. Poor connections will cause the clamps to get much hotter than normal.

6. When plugging the Pipe Thawing Tool into the electrical outlet, making sure to position the power cord along the clear path selected earlier. If the power cord does not reach the outlet, use an extension cord in good condition.

⚠ WARNING To avoid electric shock and electrical fires, never use an extension cord that is damaged or does not meet the following requirements:

- The cord has a three-prong plug similar to shown in Electrical Safety section.
- The cord is rated as “W” or “W-A” if being used outdoors.
- The cord has sufficient wire thickness (14 AWG below 25’/12 AWG 25’ - 50’). If the wire thickness is too small, the cord may overheat, melting the cord’s insulation or causing nearby objects to ignite.

⚠ WARNING To reduce risk of electrical shock, keep all electrical connections dry and off the ground. Do not touch plug with wet hands.

Operating Instructions



To reduce risk of electrical shock, keep all electrical connections dry and off the ground. Do not touch plug with wet hands.

Be very careful when thawing frozen pipes. Clamp tips and cable connections become hot during use. Avoid contact with skin as burns can result.

Keep clamps away from combustible materials or articles that can be damaged by heat.

Do not leave the unit unattended while thawing.

Thawing Tap Water Lines

NOTE! It is recommended that there be standard water pressure on one side of the frozen section of pipe and an open faucet on the other side of the frozen section (*Figure 4*). As the pipe warms to above freezing point, the water, with pressure behind it, will seep along the inside walls melting and flushing the remaining ice out of the faucet.

1. Make sure unit is unplugged and turned OFF and cables are completely uncoiled.
2. Place one clamp on each side of the frozen section of pipe. Open the faucet where no water flows.

⚠ WARNING Making pipe connections before plugging in unit prevents arcing between clamps and pipe.

3. Plug unit into a grounded 15 amp outlet making sure to position the power cord along the clear path selected earlier.
4. Move switch to ON (up position on KT-190. Center switch down to low position, left switch to A on KT-200).
5. If current is below 15 amps on KT-200, switch to B. If current is still below 15 amps, switch to high position on center switch and right switch up to C.
6. Continue until 15 amps is reached but not exceeded, D switch setting is used with long runs.

Thawing time may vary from a few seconds to several hours depending on length and diameter of pipe being thawed. If time seems unreasonable, check clamps for proper placement.

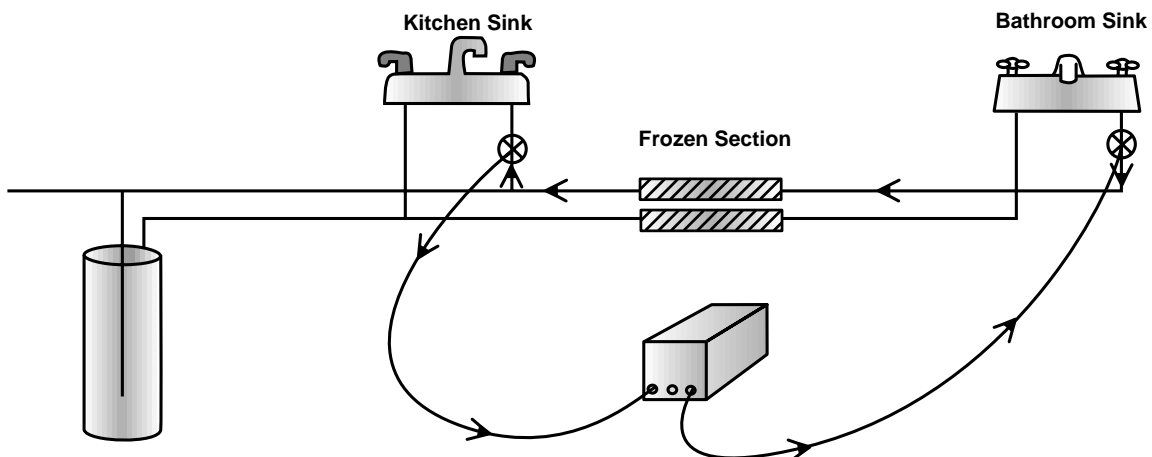


Figure 4 – Thawing Tap Water Lines

NOTE! This tool is equipped with a thermal overload for added safety. If thawing for long periods of time at maximum current, the unit may shut down automatically. Unit will resume operations automatically after approximately 3 minutes.

Tool Removal

1. When water lines have thawed, turn switch to the OFF position and unplug power cord from the electrical outlet.
2. Remove clamps from the pipe.

⚠ WARNING Clamp tips are hot and can cause burns.

3. Allow clamps to cool before coiling cables and placing the unit in storage. While the clamps are hot, keep them away from combustible materials or articles that can be damaged by heat.

Thawing Frozen Hydronic Systems

NOTE! Hydronic systems are harder to thaw due to the lower pressure produced by the circulating pump and the greater lengths of pipe required in a single or multi-zone system.

NOTE! The electrical output current of both the KT-190 and KT-200 can take two paths. The shortest distance between the clamps, or the long path around the pipe loop. Therefore, in some systems it is required to break the pipe to eliminate the short path (Figure 7).

Single Zone System

1. Circulating pump must be operating.
2. Make sure unit is unplugged and OFF and cables are completely uncoiled.
3. Place one clamp near the furnace and the second clamp next to a radiator.

⚠ WARNING Making pipe connections before plugging in unit prevents arcing between clamps and pipe.

4. Plug unit into a grounded 15 amp outlet, making sure to position the power cord along the clear path selected earlier.
5. Position switch to ON. (Up position on KT-190. Center switch down to low and left switch to lower A position on KT-200).

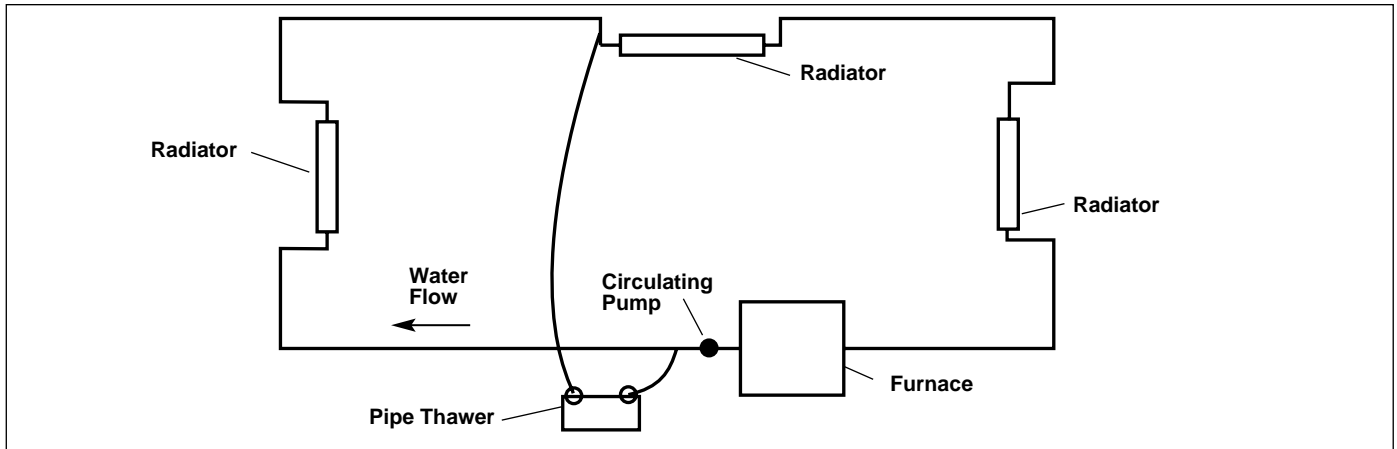


Figure 5 – Single Zone System

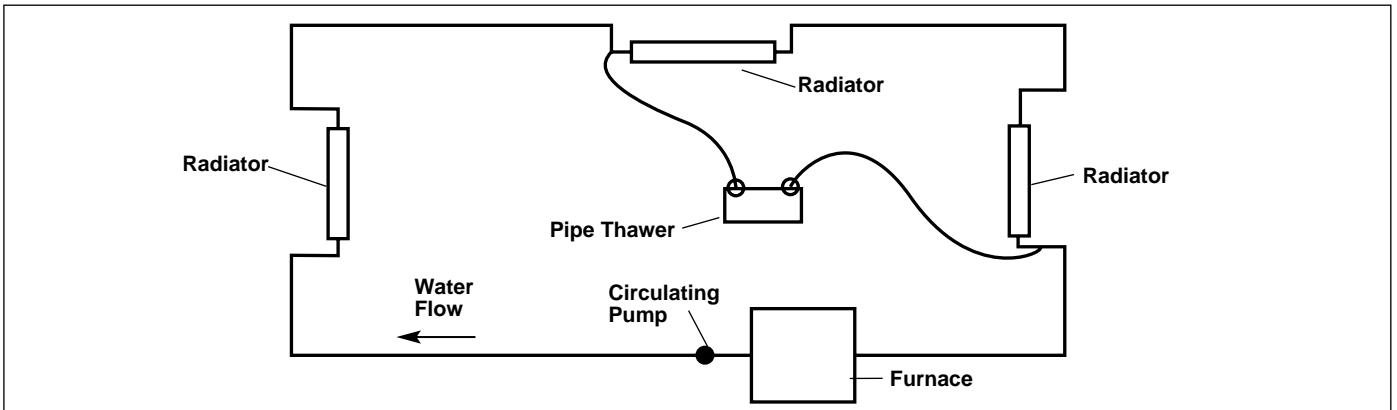


Figure 6 – Single Zone System

6. If current is below 15 amps on KT-200, switch to B. If current is still below 15 amps, switch to high position on center switch and right switch up to C.
7. Continue until 15 amps is reached but not exceeded; D switch setting is used with long runs.

Multi-Zone System

If you are dealing with multi-zones it will be necessary to break the electric current flow to specific zones.

1. Make sure unit is unplugged and switch is in the OFF position and cables are completely uncoiled.
 2. Place the pipe clamps several feet apart.
- ⚠ WARNING** Making pipe connections before plugging in unit prevents arcing between clamp and pipe.
3. Maintain a minimum of 15 feet between clamps when using the KT-190, 4 feet for KT-200, to prevent excessive amp draw.
 4. Plug unit into a grounded 15 amp outlet making sure to position the power cord along the clear path selected earlier.
 5. Move switch to ON (Up position on KT-190. Center switch to low and left switch down to A on KT-200.) If current draw is below 15 amps, select switch B, C, or D to maximize amp draw and reduce thaw time. (Do not exceed 15 amps)

NOTE! If the heat is not restored to piping in 10 minutes, change the location of the clamps to heat a different section of the system. If the above steps have been tried without success, the entire zone is frozen and will need to be thawed by following the Isolating Multi-Zone Steps.

Isolating Multi-Zone Systems

1. Break and cap pipe at point B. This prevents current flow through the second zone and allows for 100% of the current to be used in Zone #1. Do not let pipe ends contact one another.
2. Break the pipe at Point A and place pipe clamps as shown in *Figure 7*. This forces the current to flow through Zone #1. Use a container to collect the water.
3. Once Zone #1 is thawed, turn the unit and circulating pump OFF. If Zone #2 is frozen, cap the pipe at Point A. Remove the cap from Point B and place a container at Point B to collect the water.
4. Place the clamps of the opposite sides of the break at Point B. Once Zone #2 is thawed, turn circulating pump and thawing unit OFF.
5. Reconnect all pipes and check both Zone #1 and #2 for heat.

Special Applications Procedure

Increasing Thawing Capacity on KT-200 Only

⚠ WARNING Failure to follow the procedures below for parallel and series operation of the thawing units can result in electrical shock or damage to the equipment.

Series Operation

Units arranged in series work best for long pipe lengths.

1. Position units near the frozen section of pipe and next to one another such that cable lugs are toward pipe.
2. Make sure the units are unplugged and center switch is in the OFF position.

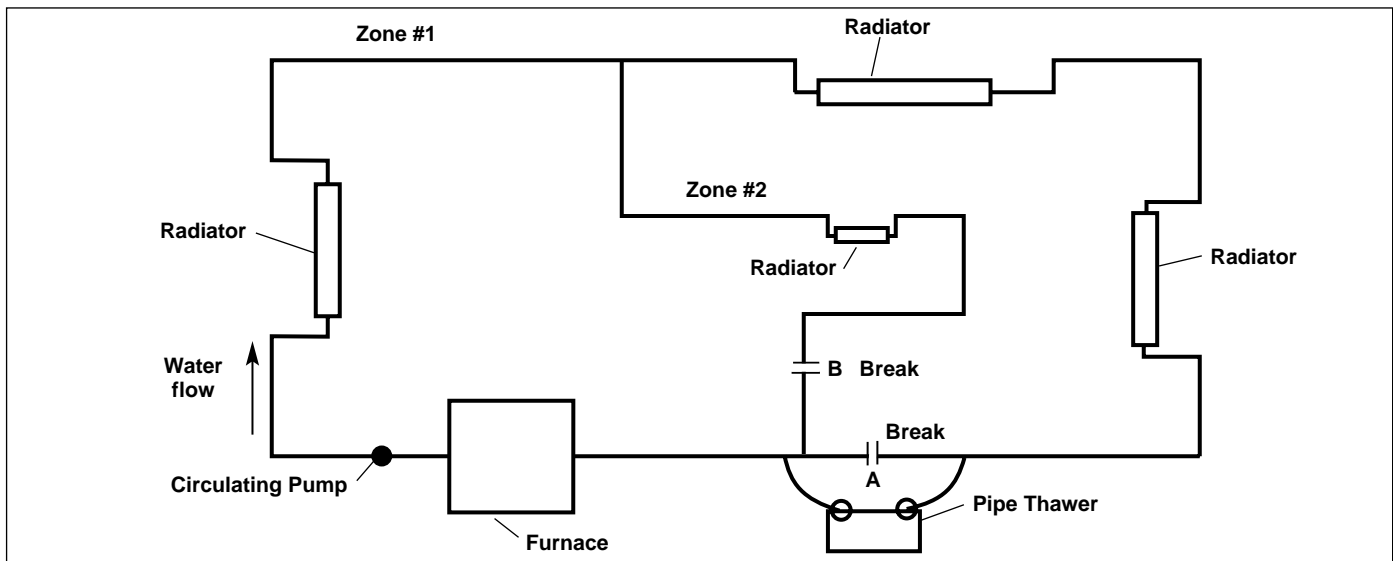


Figure 7 – Multi Zoned System

3. Connect one end of the pigtail (Ridge Catalog #62812) on the right lug of the left unit, and the other end on the left lug of the right unit.
4. Attach pipe thawing leads to remaining lugs.
5. Place one clamp on either side of the frozen section of pipe.

⚠ WARNING Making pipe connections before plugging in unit prevents arcing between clamps and pipe.

6. Plug the units into outlets that are NOT on the same circuit. (Protected by separate fuses).

⚠ WARNING Both thawing units must be plugged into electrical outlets before switching unit ON. Failure to follow the procedure can result in electrical shock.

7. With two units connected in series, seven power settings are available with the KT-200 by using the switches on both units. The combinations are AA, AB, BB, BC, CC, CD, DD.

NOTE! A circuit will not be completed until the switch of both units is in the ON position.

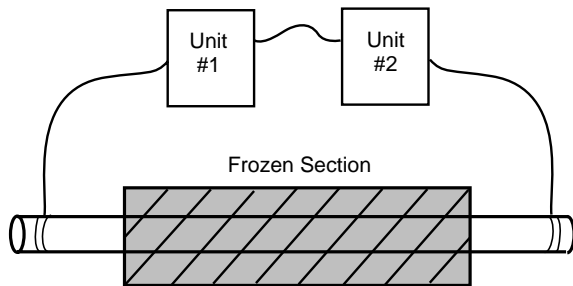


Figure 8 – Series Set-Up

Parallel Operation

Units arranged in parallel work best for larger pipes diameters.

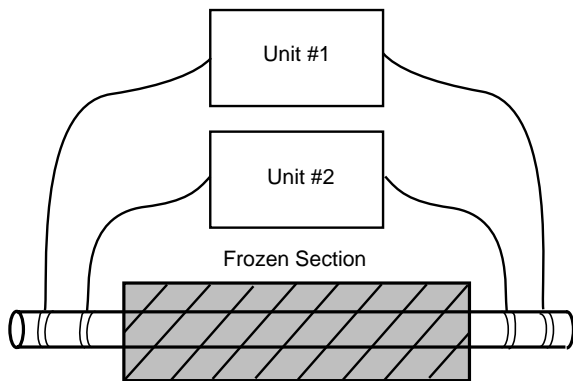


Figure 9 – Parallel Set-Up

1. Position units near frozen section of pipe.

2. Make sure units are unplugged and switches are in the OFF position and cables are completely uncoiled.
3. Attach cables and clamps to lugs.
4. Place clamps on either side of the frozen section of pipe.

⚠ WARNING Making pipe connections before plugging in unit prevents arcing between clamp and pipe.

5. Plug units into outlets that are NOT on the same circuit. (protected by different fuses).

⚠ WARNING Both thawing units must be plugged into electrical outlets before switching unit ON. Failure to follow the procedure can result in electrical shock.

6. The power settings available are AA, BB, CC, and DD with the KT-200.

NOTE! With both units on the same setting both KT-200 amp. meters should read approximately the same. If this does not occur, turn both units OFF and exchange the cables on one unit. The correct polarity is achieved by the cable hook-up that produces the lowest amp. meter reading.

IMPORTANT: Failure to follow above set-up will result in most current flowing through the adjacent clamps and not the pipe.

Maintenance Instructions

⚠ WARNING

Make sure unit is unplugged from power source before performing maintenance or repairs.

Tool Maintenance

1. Replace damaged, frayed, broken or worn cables.
2. Periodically clean lugs with steel wool and emery cloth.
3. Replace damaged, frayed, broken or worn cords.
4. Keep clamps dry and clean.

Tool Storage

⚠ WARNING Electrical equipment must be kept indoors or well covered in rainy weather. Store the tool in a locked area that is out of reach of children and people unfamiliar with Pipe Thawing tools. This tool can cause serious injury in the hands of untrained users.

Service and Repair

▲ WARNING



Service and repair work on this tool must be performed by qualified repair personnel. Thawing unit should be taken to a RIDGID Independent Authorized Service Center or returned to the factory. All repairs made by Ridge service facilities are warranted against defects in material and workmanship.

When servicing this tool, only identical replacement parts should be used. Failure to follow these instructions may create a risk of electrical shock or other serious injury.

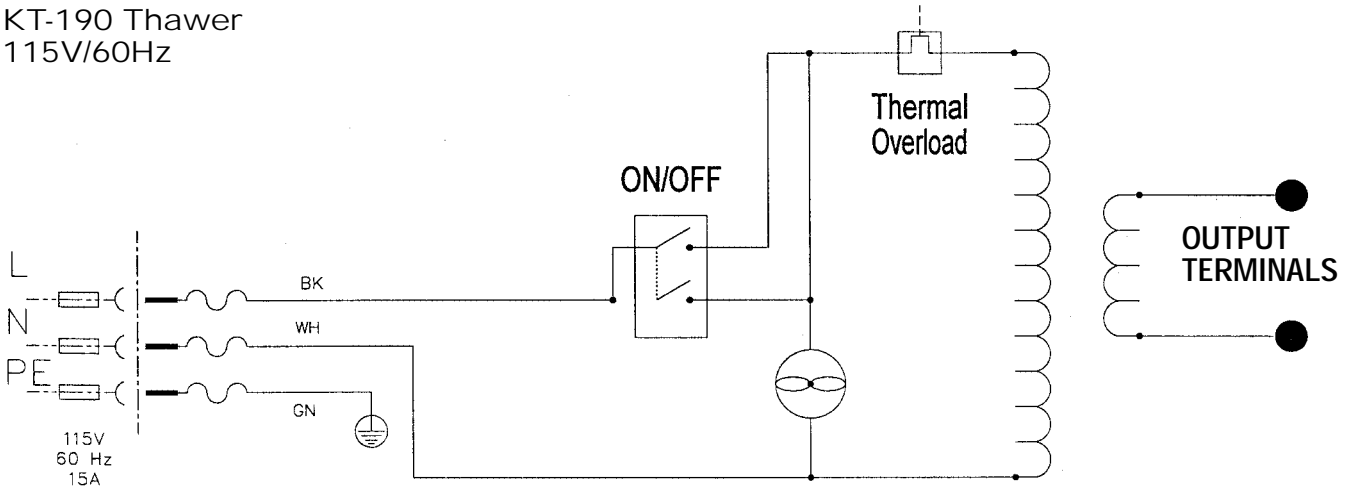
If you have any questions regarding the service or repair of this machine, call or write to:

Ridge Tool Company
 Technical Service Department
 400 Clark Street
 Elyria, Ohio 44035-6001
 Tel: (800) 519-3456
 E-mail: TechServices@ridgid.com

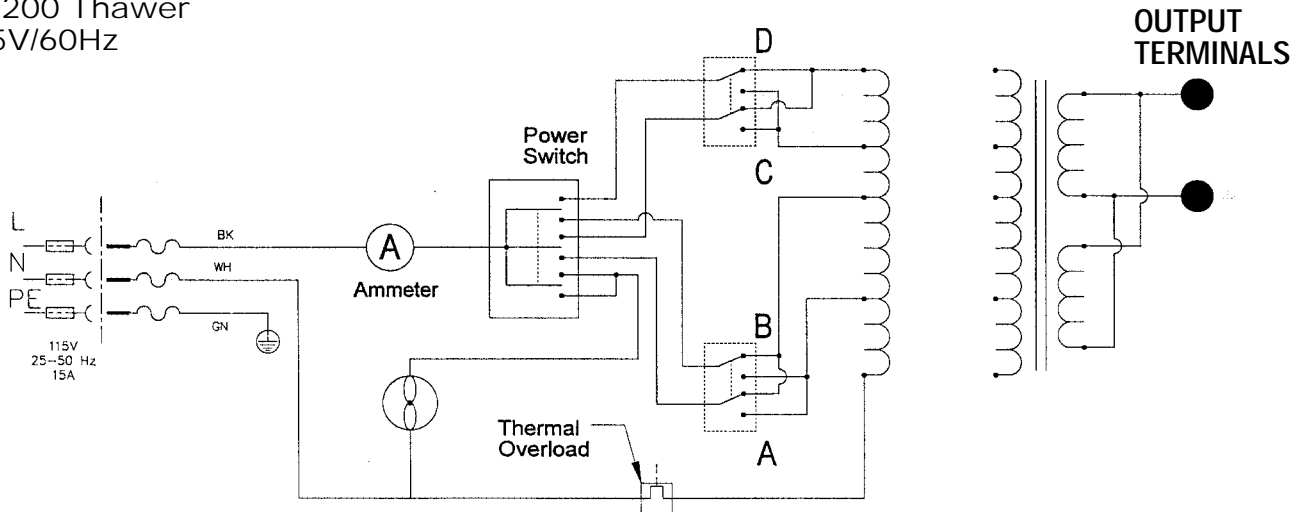
For name and address of your nearest Independent Authorized Service Center, contact the Ridge Tool Company at (800) 519-3456 or <http://www.ridgid.com>

Electrical Schematics

KT-190 Thawer
 115V/60Hz



KT-200 Thawer
 115V/60Hz





Descongeladoras de tuberías KT-190 y KT-200



Limpiadoras de desagües K-60SP	
A continuación apunte y retenga el número de serie de la máquina, que se encuentra en su placa de características.	
No. de serie	

Índice

Ficha para apuntar el Modelo y Número de Serie de la máquina11

Información general de seguridad

 Seguridad en la zona de trabajo13

 Seguridad eléctrica.....13

 Seguridad personal13

 Uso y cuidado de la máquina14

 Servicio.....14

Información específica de seguridad

 Seguridad de la Descongeladora de tuberías14

Descripción y especificaciones

 Descripción.....15

 Especificaciones.....15

 Equipo estándar15

 Accesorios.....15

 Cables y pinzas15

Diagnóstico de problemas

 En tuberías principales de servicio público15

 En tuberías domiciliarias de agua potable16

Ensamblaje de la máquina.....16

Inspección de la máquina.....17

Preparación de la máquina.....17

Instrucciones de funcionamiento

 Descongelación de tuberías domiciliarias de agua potable18

 Extracción de la Descongeladora.....19

 Descongelación de redes hidrónicas congeladas19

 Red de zona única19

 Red multizona20

 Cómo aislar una red multizonal.....20

Procedimientos para métodos especiales

 Aumento de la capacidad de descongelación de la KT-200 solamente.....21

 Funcionamiento en serie21

 Funcionamiento en paralelo21

Instrucciones de mantenimiento22

Almacenamiento de la máquina.....22

Mantenimiento y reparaciones.....22

Esquemas eléctricos.....23

Garantía vitaliciacarátula posterior

Información general de seguridad

¡ADVERTENCIA! Lea y comprenda todas las instrucciones. Pueden ocurrir golpes eléctricos, incendios y/o lesiones corporales graves si no se siguen todas las instrucciones detalladas a continuación.

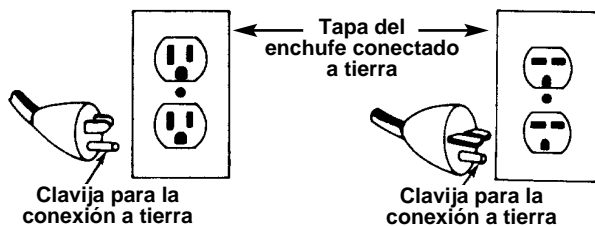
¡GUARDE ESTAS INSTRUCCIONES!

Seguridad en la zona de trabajo

- **Mantenga su área de trabajo limpia y bien alumbrada.** Los bancos de trabajo desordenados y las zonas oscuras provocan accidentes.
- **No haga funcionar estos aparatos eléctricos en ambientes explosivos, como por ejemplo, en la presencia de líquidos, gases o polvos inflamables.** Estos aparatos generan chispas que pueden encender el polvo o los gases.
- **Al hacer funcionar una Descongeladora de tuberías, mantenga apartados a los espectadores, niños y visitantes.** Las distracciones pueden hacerlo perder el control del aparato.

Seguridad eléctrica

- **Las máquinas provistas de conexión a tierra deben ser enchufadas a un tomacorriente debidamente instalado y conectado a tierra de acuerdo con todos los códigos y reglamentos. Jamás extraiga del enchufe del aparato la tercera clavija que conduce a tierra ni lo modifique de manera alguna. No use ningún tipo de enchufe adaptador. Consulte con un electricista calificado si no puede determinar acaso el tomacorriente está debidamente conectado a tierra.** En la eventualidad de que el aparato sufra una avería eléctrica o de otro tipo, la conexión a tierra proporciona una vía de baja resistencia para conducir la electricidad lejos del operario.



- **Evite que su cuerpo haga contacto con superficies conectadas a tierra tales como radiadores, tuberías, cocinas o refrigeradores.** Si su cuerpo queda conectado a tierra, aumenta el riesgo de que sufra un choque eléctrico.
- **No exponga las máquinas eléctricas a la lluvia o a condiciones mojadas.** Si agua penetra en una

máquina eléctrica, aumenta el riesgo de que se produzca un choque eléctrico.

- **No maltrate el cordón. Nunca use el cordón para sacar el enchufe del tomacorriente. Mantenga el cordón lejos de fuentes de calor, aceite, bordes cortantes o piezas movibles.** Recambie los cordones dañados de inmediato. Los cordones en mal estado aumentan los riesgos de que se produzca un choque eléctrico.
- **Al hacer funcionar un aparato eléctrico a la intemperie, emplee un cordón de extensión fabricado para uso exterior y rotulado “W-A” o “W”.** Estos cordones han sido diseñados para su empleo al aire libre y reducen el riesgo de que se produzca un choque eléctrico.
- **Sólo use un cordón de extensión de tres alambres equipado con un enchufe de tres clavijas para conexión a tierra, y un tomacorriente tripolar que acoja a las tres clavijas del enchufe del aparato.** Otros alargadores no conectarán el aparato a tierra y aumentarán el riesgo de que se produzca un choque eléctrico.
- **Use cordones de extensión apropiados.** (Vea la tabla). Una dimensión insuficiente del conductor causará una caída excesiva del voltaje, pérdida de potencia y el recalentamiento del aparato.
- **Mantenga todas las conexiones eléctricas secas y levantadas del suelo. No toque el aparato o el enchufe con las manos mojadas.** De esta manera se evita un choque eléctrico.

Dimensión mínima de alambre para cordones de extensión	
Longitud total (en pies)	
0 – 25	14 AWG
26 – 50	12 AWG
Sobre 50 pies	NO SE RECOMIENDA

Seguridad personal

- **Manténgase alerta, preste atención a lo que está haciendo y use sentido común cuando trabaje con un aparato a motor. No la use si está cansado o se encuentra bajo la influencia de drogas, alcohol o medicamentos.** Sólo un breve descuido mientras hace funcionar una máquina motorizada puede resultar en lesiones personales graves.
- **Evite echar a andar el aparato sin querer. Antes de enchufarlo, asegure que su interruptor se encuentre en la posición OFF (apagado).** Se producen accidentes cuando se enchufan aparatos que tienen su interruptor en la posición de encendido (ON).

- **No trate de extender su cuerpo para alcanzar algo. Mantenga sus pies firmes en tierra y un buen equilibrio en todo momento.** Al mantener el equilibrio y los pies firmes, tendrá mejor control sobre el aparato en situaciones inesperadas.
- **Use equipo de seguridad. Siempre lleve protección para los ojos.** Cuando las condiciones lo requieran, debe usar mascarilla para el polvo, calzado de seguridad antideslizante, casco duro o protección para los oídos.

Uso y cuidado de la máquina

- **Si el interruptor de la máquina no la enciende o apaga, no la use.** Cualquier aparato que no pueda ser controlado mediante su interruptor es peligroso y debe ser reparado.
- **Almacene las máquinas que no estén en uso fuera del alcance de los niños y de otras personas sin entrenamiento.** Las máquinas son peligrosas en las manos de usuarios no capacitados.
- **Efectúele cuidadoso mantenimiento a su aparato.** Es menos probable que un aparato bien mantenido lo lesione.
- **Verifique si hay piezas quebradas y si existe cualquiera otra condición que pueda afectar el funcionamiento del aparato. En el caso de estar dañado, antes de usar el aparato, hágalo componer.** Numerosos accidentes son causados por aparatos que no han recibido un mantenimiento adecuado.
- **Emplee únicamente los accesorios recomendados por el fabricante de su máquina.** Los accesorios que son los adecuados para una máquina pueden ser peligrosos acoplados a otro aparato.
- **Revise la máquina y los cordones de extensión periódicamente. Cámbielos si están dañados.** Los cordones en mal estado aumentan el riesgo de que se produzca un choque eléctrico.
- **Mantenga los mangos limpios y secos, libres de aceite y grasa.** Esto permite un mejor control del aparato.
- **Desenchufe el aparato de todas sus fuentes de suministro antes de hacerle cualquier ajuste, de cambiarle accesorios o de almacenarlo.** Esta medida preventiva evita los choques eléctricos y la puesta en marcha involuntaria del aparato.

Servicio

- **El aparato sólo debe ser reparado por técnicos de reparación calificados.** El mantenimiento o repara-

ciones practicados por personal no calificado puede ocasionar lesiones.

- **Cuando se le hagan mantenimiento o reparaciones al aparato, deben usarse únicamente repuestos o piezas de recambio idénticas. Siga las instrucciones en la sección de Mantenimiento en este manual.** Pueden producirse choques eléctricos o lesiones si no se emplean piezas y partes autorizadas o si no se siguen las instrucciones de mantenimiento.
- **Desconecte el aparato de toda fuente de suministro antes de efectuarle mantenimiento.** Así se evitan los choques eléctricos y que el aparato se ponga en marcha sin querer.

Información específica de seguridad

▲ ADVERTENCIA

Lea este Manual del Operario detenidamente antes de poner en funcionamiento una de estas Descongeladoras. Si no se siguen o no se comprenden las instrucciones de este manual, es posible que ocurran choques eléctricos, incendios y/o lesiones personales graves.

Si tiene cualquier pregunta, llame al Departamento de Servicio Técnico de Ridge Tool Company al (800) 519-3456.

Seguridad de la Descongeladora de tuberías

- **Esta unidad fue hecha para descongelar tuberías de agua, fabricadas de hierro o cobre. Siga las instrucciones para emplearla correctamente.** Se corre el riesgo de sufrir lesiones si se le dan otros usos.
- **No deje la unidad sin supervisión mientras está descongelando.** Este tipo de medida preventiva reduce el riesgo de que se produzcan lesiones o incendios.
- **No toque las puntas de las pinzas ni las conexiones del cable.** Así reducirá el riesgo de que sufra quemaduras.
- **No haga funcionar la unidad sin su carcasa.** Las piezas internas del aparato que queden expuestas pueden lesionarlo.
- **Antes de enchufar la unidad monte ambas pinzas sobre el tubo.** Esto evita que se forme un arco eléctrico o voltaico entre el tubo y las pinzas.
- **Use el cable y las pinzas que vienen con la máquina.** El uso de cables incorrectos puede causar el recalentamiento de los alambres.

- **Mantenga las pinzas apartadas de materiales combustibles o de artículos que pueden dañarse con el calor.** Durante el uso, las puntas de las pinzas se calientan.

Descripción y especificaciones

Descripción

Las máquinas descongeladoras de tuberías marca RIDGID son versátiles y fáciles de usar para descongelar tuberías de cobre o de hierro/acero de 1/2 a 1 1/2 pulgadas de diámetro de hasta 150 pies de longitud (KT-200). Ambos modelos, KT-190 y KT-200, emplean bajo voltaje y alto amperaje para rápidamente descongelar tuberías domiciliarias de agua potable y sistemas de calefacción que se encuentren congelados.

Este método no requiere que se conozca con exactitud el lugar en que se ubica la sección congelada y tampoco es necesario que se disponga de un acceso directo a la zona congelada. Ambas unidades descongelan tubos de acero o de cobre situados bajo tierra, debajo del piso, o detrás de paredes. La KT-200 posee múltiples posiciones de voltaje para lograr el máximo de amperaje y así garantizar un tiempo mínimo de descongelación. Las pinzas recubiertas de vinilo y con 25 pies de cable, estándar en ambas unidades, permiten descongelar una sección de tubería de 50 pies de longitud. Para longitudes mayores hay disponibles extensiones de cable de 25 pies.

Especificaciones

Capacidad

Principalmente recomendados para todo tipo de tubería de cobre o acero de 1/2 a 1 1/2 pulgada. Las descongeladoras no funcionan con tubos de plástico ni con tuberías que contienen acoplamientos de plástico o goma.

Descongeladoras

Entrada 115 voltios, 15 amperios

	KT-190	KT-200
Salida	6,0 voltios,	4,5 a 7,6 voltios
Salida	300 amperios	...300 amperios
Alcance mínimo	15 pies.....	4 pies
Alcance máximo.....	75 pies.....	150 pies
Peso.....	25 lbs.....	29 lbs
Peso.....	11,4 kg	13,2 kg

Equipo Estándar

Cantidad Piezas

- 1Descongeladora modelo KT-190 ó KT-200, 115 voltios, 15 amperios
- 2Cable de 25 pies de largo que en uno de sus extremos lleva una pinza a resorte recubierta en vinilo y, en el otro, un bucle de montaje.

Accesorios

- Cable de extensión, 25 pies, N° 1/0 AWG, incluye perno y tuerca. N° en el catálogo 62772.
- Cable en serie, 3 pies, N° 1/0 AWG, N° en el catálogo 62812



Figura 1 – Descongeladora KT-200

Cables y pinzas

Cable de 25 pies de longitud con pinza recubierta en vinilo.

	KT-190	KT-200
Tamaño	N° 2 AWG	N° 1/0 AWG
Peso	19 lbs/el par (8,6 kgs)	23lbs/el par (10,5 kgs)

Diagnóstico de problemas

En tuberías principales del servicio público

Si no sale agua por ningún grifo de la casa, se ha congelado la tubería principal del servicio público: entre la válvula en la calle (acera) y la casa. Esta tubería puede descongelarse colocando una pinza sobre un tubo de agua potable en el sótano de la casa y la otra pinza sobre la llave que se encuentra acoplada a la válvula en la calle. Asegúrese de que la llave y la válvula en la calle estén haciendo contacto. Si las longitudes exceden los 50 pies, se requerirán cables de extensión. Para

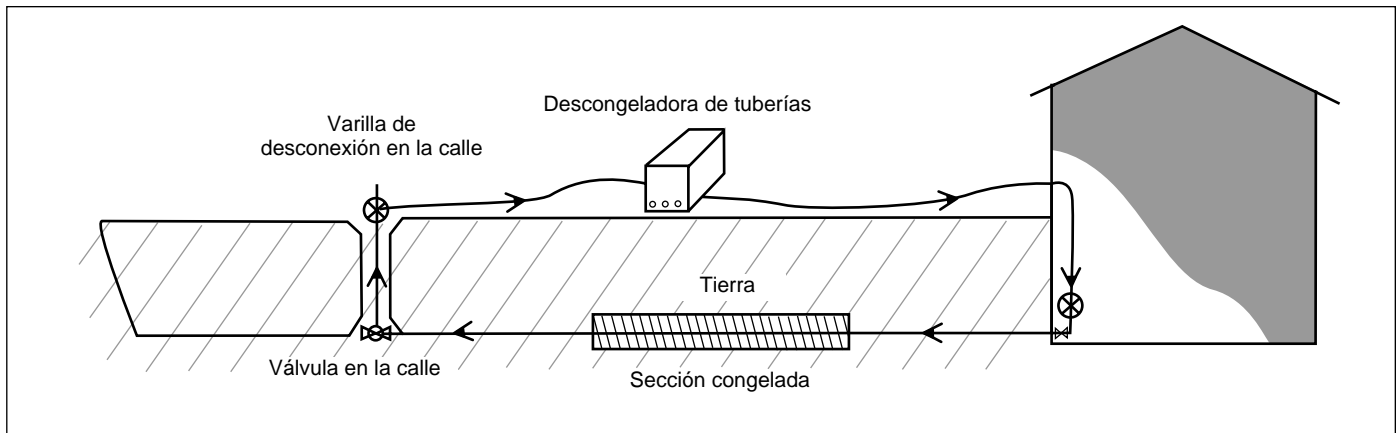


Figura 2 – Descongelación de tuberías principales de servicio público

reducir el tiempo de descongelación, es posible que se haga necesario emplear varias unidades descongeladoras a la vez. Consulte la sección de “Procedimientos para métodos especiales” en este manual para conocer los métodos de instalación en serie.

En tuberías domiciliarias de agua potable

Localice la tubería que se encuentra congelada dentro del inmueble abriendo los grifos o llaves de agua. Fijese en el flujo de agua. La sección de tubería congelada normalmente se encontrará en una pared exterior de la casa o edificio o en algún espacio debajo del inmueble con insuficiente aislamiento. Si de un grifo no sale agua y del siguiente sí, la sección congelada se encuentra entre estos dos grifos. Monte las pinzas sobre tubos ya sea de agua caliente o fría, pero no sobre los grifos mismos.

Consulte la sección “Descongelación de tuberías domiciliarias de agua potable” para conocer los procedimientos a seguir.

Ensamblaje de la máquina

▲ ADVERTENCIA

Para evitar lesiones de gravedad se requiere ensamblar la Descongeladora correctamente. Deben seguirse los siguientes procedimientos:



Figura 3 – Descongeladora con los cables acoplados

Instalación del cable con pinza

1. Extraiga la tuerca de retención de una de las orejetas ubicadas en la parte trasera de la unidad.
2. Meta el extremo del cable que lleva el bucle en el perno de la orejeta, con su parte plana apuntando hacia la máquina.
3. Vuelva a instalar la tuerca de la orejeta y apriétela firmemente.
4. Asegure que el bucle del cable no haga contacto con la carcasa de la máquina.
5. Siga los pasos 1 y 2 para acoplar el otro cable a la otra orejeta.

¡NOTA! Si los cables no quedan acoplados firmemente a la Descongeladora, ésta tardará más en descongelar o puede que no funcione debidamente.

Inspección de la Descongeladora

⚠ ADVERTENCIA



Revise la Descongeladora para evitar lesiones graves. Deben realizarse los procedimientos de inspección siguientes:

1. Asegure que la Descongeladora esté desenchufada y que su interruptor de encendido/apagado se encuentre en la posición de OFF (apagado).
2. Revise que el cordón de suministro y el enchufe estén en buenas condiciones. Si el enchufe ha sido modificado o no tiene su clavija de conexión a tierra, o si el cordón está dañado, no use la Descongeladora hasta que se haya cambiado el cordón.
3. Revise los cables y pinzas por si están dañados. Asegure que los cables estén bien conectados a la Descongeladora. Si los cables o las pinzas están dañados, no use la Descongeladora. Emplee únicamente los cables y pinzas provistos con la unidad.
4. Limpie el aceite, grasa o mugre de todos los mangos, controles y pinzas.
5. Revise la Descongeladora para asegurar que no le faltan piezas, que no tiene partes quebradas, o por si la carcasa metálica está dañada. Si detecta cualquier defecto, no use la Descongeladora hasta que no haya sido reparada.

Preparación de la máquina

⚠ ADVERTENCIA



Se requiere una adecuada preparación de la máquina y de la zona de trabajo para evitar que ocurran lesiones de gravedad. Deben seguirse los siguientes procedimientos para preparar la Descongeladora:

1. Elija una zona de trabajo donde:

- haya suficiente luz;
 - exista un tomacorriente eléctrico conectado a tierra de 15 amperios;
 - haya una senda directa hasta el tomacorriente, libre de fuentes de calor, aceites, bordes afilados o cortantes o piezas movibles que puedan dañar al cordón eléctrico;
 - haya un lugar seco para situar la máquina y al operario. No use la máquina si se encontrará parado sobre agua. Y,
 - no hayan líquidos, vapores o gases inflamables.
2. Coloque la Descongeladora KT-190 ó la KT-200 cerca de la sección de la tubería donde se sospecha que se ha congelado.
 3. Asegure que la unidad se encuentra apagada y desenchufada. El interruptor en la KT-190 debe estar en la posición inferior de OFF. En el interruptor central de la KT-200, la posición de OFF (apagado) se encuentra en el medio.
 4. Desenrolle ambos cables por completo y asegure que no queden sobrepuestos ni en contacto el uno con el otro.
 5. Siga las instrucciones sobre cómo deben colocarse las pinzas.

⚠ ADVERTENCIA Para evitar la formación de chispas entre las pinzas y la tubería, acople las pinzas a la tubería antes de enchufar la Descongeladora.

¡NOTA! Antes de efectuar una conexión, siempre limpie el tubo para quitarle las escamas de pintura, óxido u otros materiales que impidan un buen flujo de amperios desde la pinza al tubo. Cuando la conexión es mala, las pinzas se calientan más de lo debido.

6. Enchufe la Descongeladora al tomacorriente ubicado al final de la senda despejada elegida con anterioridad. Si el cordón de la máquina no alcanza el tomacorriente, use un cordón de extensión en buenas condiciones.

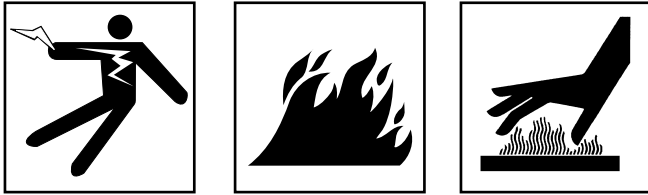
⚠ ADVERTENCIA Para evitar choques e incendios eléctricos, nunca use un cordón de extensión dañado o que no cumpla con los siguientes requisitos:

- tener un enchufe de tres clavijas similar al que se muestra en la sección Seguridad eléctrica.
- estar clasificado como “W” ó “W-A”, si será usado a la intemperie.
- tener el grosor suficiente (14 AWG si mide menos de 25 pies de largo, 12 AWG si mide entre 25 y 50 pies). Si el grosor del cable es insuficiente, el cordón puede recalentarse y derretirse su material aislante, o prender fuego a objetos cercanos.

⚠ ADVERTENCIA Para reducir el riesgo de ocasionar choques eléctricos, mantenga todas las conexiones eléctricas secas y levantadas del suelo. No toque el enchufe con las manos mojadas.

Instrucciones de funcionamiento

⚠ ADVERTENCIA



Para reducir el riesgo de ocasionar choques eléctricos, mantenga todas las conexiones eléctricas secas y levantadas del suelo. No toque el enchufe con las manos mojadas.

Tenga mucho cuidado cuando descongele tuberías. Durante la descongelación, las puntas de la pinza y las conexiones del cable se calientan. Debido a que puede sufrir quemaduras, evite el contacto de su piel con los materiales.

Mantenga las pinzas apartadas de materiales combustibles o de artículos que puedan dañarse con el calor.

No se aleje de la unidad mientras descongela. Obsérvela.

Descongelación de tuberías domiciliarias de agua potable

¡NOTA! Se recomienda que exista una presión de agua normal a un lado de la sección congelada del tubo y un grifo abierto en el otro lado de la sección congelada (Figura 4). A medida que el tubo se calienta a temperaturas superiores al

punto de congelación, el agua, empujada por la presión, comenzará a colarse a lo largo de las paredes interiores del tubo, derritiendo y desalojando el hielo a través del grifo abierto.

1. Asegure que la unidad se encuentre desenchufada y apagada y que los cables estén completamente desenrollados.
2. Coloque una pinza a cada lado de la sección congelada del tubo.

⚠ ADVERTENCIA Para evitar la formación de chispas entre las pinzas y la tubería, acople las pinzas a la tubería antes de enchufar la Descongeladora.

3. Enchufe la Descongeladora a un tomacorriente conectado a tierra de 15 amperios y asegure que el cordón de suministro vaya extendido por la senda despejada elegida con anterioridad.
4. Mueva el interruptor a la posición de ON (en la KT-190, posición superior. En la KT-200, posición LOW (abajo) en el interruptor central y posición A en el interruptor izquierdo).
5. Si la corriente es menor a 15 amperios en la KT-200, cambie el interruptor a la posición B. Si la corriente sigue por debajo de 15 amperios, cambie a la posición arriba en el interruptor central y, el interruptor de la derecha, a C.
6. Continúe hasta que se alcancen, pero no excedan, los 15 amperios. La posición D en el interruptor se usa para tramos largos de tubería.

Las descongelaciones pueden demorar entre algunos segundos y hasta varias horas, todo depende del largo y el diámetro de la tubería que se intenta descongelar. Si el tiempo transcurrido sin que se logre una descongelación pareciera excesivo, revise que las pinzas estén bien colocadas.

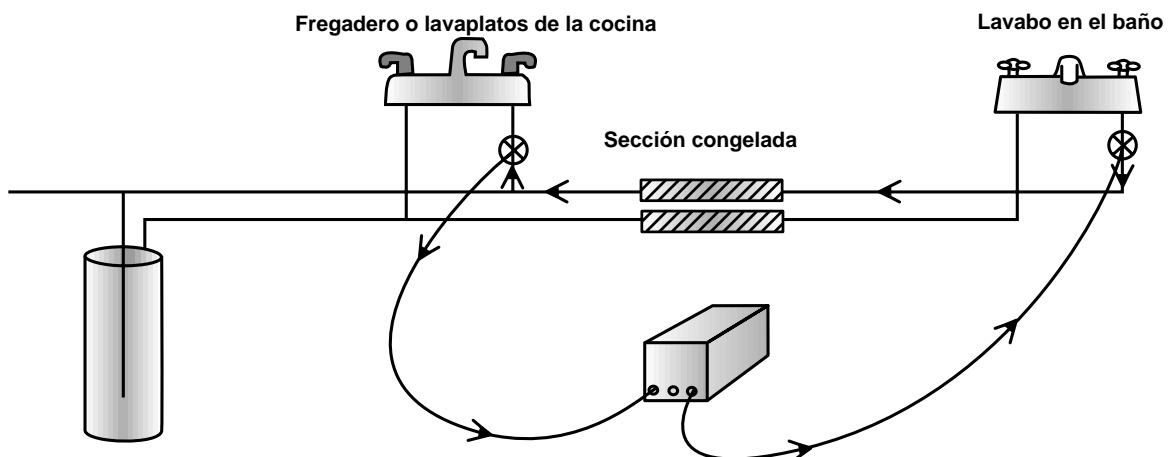


Figure 4 – Descongelación de tuberías domiciliarias de agua potable

¡NOTA! Esta máquina viene equipada con una protección de sobrecarga térmica. Al efectuar una descongelación por un largo período de tiempo a corriente máxima, la unidad puede apagarse automáticamente. La unidad reanudará su marcha en forma automática después de unos 3 minutos.

Extracción de la Descongeladora

1. Cuando las cañerías de agua se hayan descongelado, mueva el interruptor a la posición de OFF (apagado) y desenchufe el cordón de suministro.
2. Desmonte las pinzas que estaban puestas sobre la tubería.

⚠ ADVERTENCIA Las puntas de las pinzas estarán calientes y pueden quemarlo.

3. Permita que las pinzas se enfríen antes de enrollar los cables y de almacenar la máquina. Mientras las pinzas estén calientes, no permita que estén cerca de materiales combustibles o artículos que pueden dañarse con el calor.

Descongelación de redes hidrónicas congeladas

¡NOTA! Una red hidrónica es más difícil de descongelar debido a que su bomba de circulación genera presiones más bajas y porque su tubería, ya sea sencilla o multizona, recorre mayores distancias.

¡NOTA! La corriente eléctrica de salida, tanto de la KT-190 como de la KT-200, puede seguir dos trayectorias: una corta distancia entre las pinzas, o la trayectoria más larga, a lo largo del circuito de la tubería. Por lo tanto, en algunas redes se requiere cortar la tubería para eliminar la trayectoria corta (Figura 7).

Red de zona única

1. La bomba de circulación debe estar funcionando.
2. Asegure que unidad se encuentre desenchufada, su interruptor en la posición de OFF (apagado) y los cables completamente desenrollados.
3. Coloque una pinza cerca de la caldera y la otra próxima a un radiador.

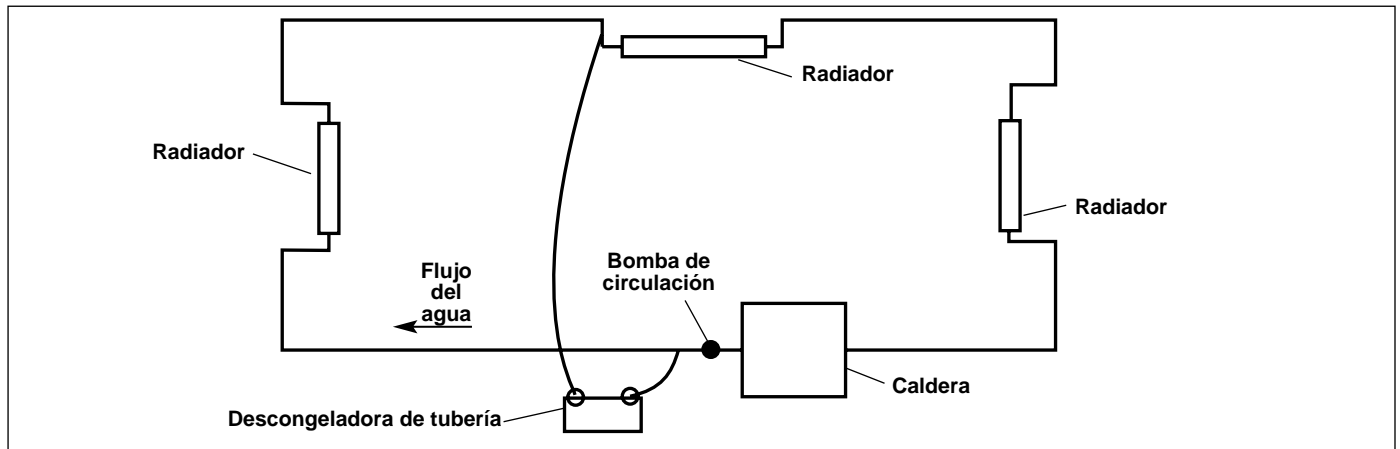


Figura 5 – Red de zona única

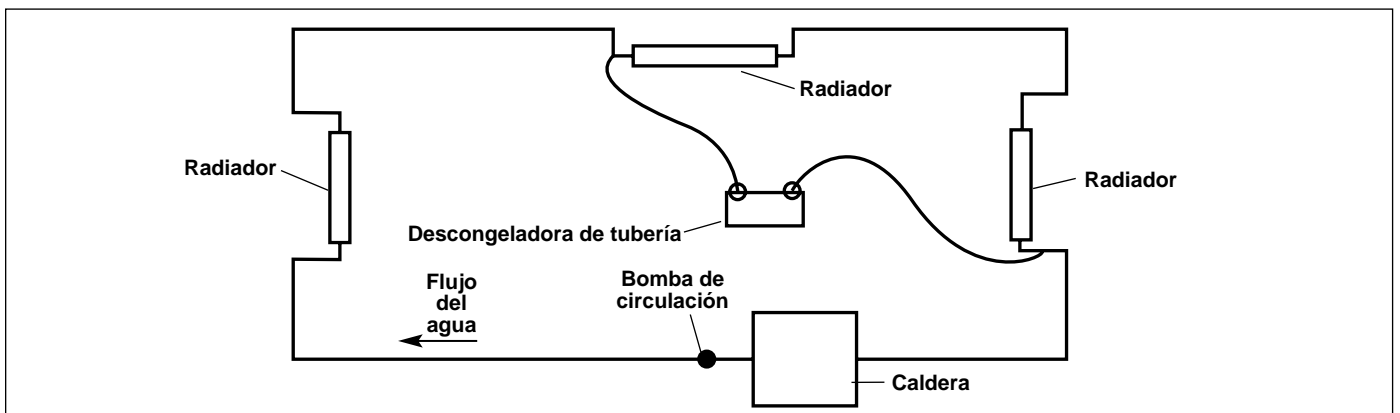


Figura 6 – Red de zona única

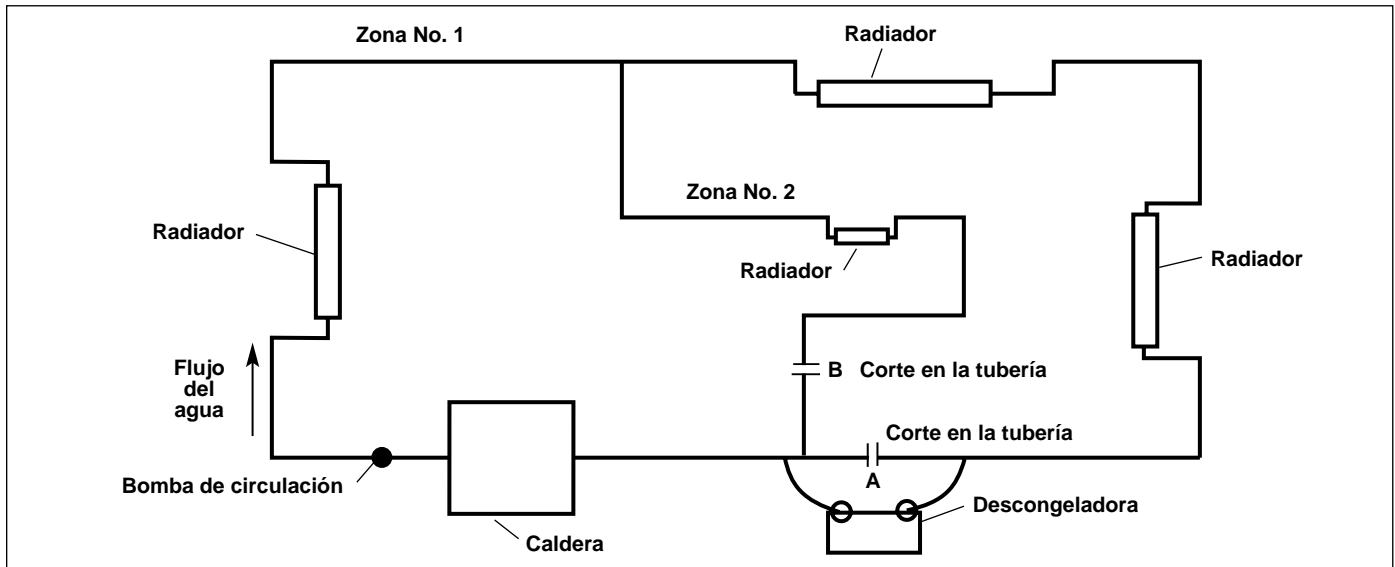


Figura 7 – Red multizona

⚠ ADVERTENCIA Para evitar la formación de chispas entre las pinzas y la tubería, acople las pinzas a la tubería antes de enchufar la Descongeladora.

4. Enchufe la Descongeladora a un tomacorriente conectado a tierra de 15 amperios y asegure que el cordón de suministro vaya extendido por la senda despejada elegida con anterioridad.
5. Mueva el interruptor a la posición de ON (en la KT-190, posición superior. En la KT-200, posición LOW (abajo) en el interruptor central y posición A en el interruptor izquierdo).
6. Si la corriente es menor a 15 amperios en la KT-200, cambie el interruptor a la posición B. Si la corriente sigue por debajo de 15 amperios, cambie a la posición arriba en el interruptor central y el interruptor de la derecha a C.
7. Continúe hasta que se alcancen, pero no excedan, los 15 amperios. La posición D en el interruptor se usa para tramos largos de tubería.

Red multizona

Si la red consta de varias zonas se hará necesario interrumpir el flujo de corriente eléctrica a zonas específicas.

1. Asegure que unidad se encuentre desenchufada, su interruptor en la posición de OFF (apagado) y los cables completamente desenrollados.
2. Coloque las pinzas separadas por varios pies la una de la otra.

⚠ ADVERTENCIA Para evitar la formación de chispas entre las pinzas y la tubería, acople las pinzas a la tubería antes de enchufar la Descongeladora.

3. Cuando emplee la KT-190, mantenga un mínimo de 15 pies de separación entre las pinzas, 4 pies en el caso de la KT-200, para evitar una toma excesiva de amperios.
4. Enchufe la Descongeladora a un tomacorriente conectado a tierra de 15 amperios y asegure que el cordón de suministro vaya extendido por la senda despejada elegida con anterioridad.
5. Mueva el interruptor a la posición de ON (en la KT-190 posición UP (arriba). En la KT-200, posición LOW (abajo) en el interruptor central y posición A en el interruptor izquierdo). Si la corriente es menor a 15 amperios en la KT-200, cambie el interruptor a la posición B, C ó D para potenciar al máximo la toma de amperios y reducir el tiempo de descongelación. (No sobrepase los 15 amperios.)

¡NOTA! Si la tubería no se ha calentado en 10 minutos, cambie la ubicación de las pinzas para calentar otra sección de la red. Si se han hecho varios intentos siguiendo los pasos descritos anteriormente y no se han logrado resultados, toda la zona está congelada y deberá descongelársela con el método de aislamiento multizona que se describe a continuación.

Cómo aislar una red multizona

1. Corte la tubería y tápela en el punto B. Esto interrumpe el flujo de corriente a través de la segunda zona y permite que el 100 por ciento de la corriente se use en la Zona No. 1. No permita que los extremos cortados del tubo se toquen entre ellos.
2. Corte la tubería en el Punto A y coloque las pinzas

como se muestra en la *Figura 7*. Así se fuerza la corriente por la Zona No. 1. Use un recipiente para recoger el agua.

3. Una vez que se haya descongelado la Zona No. 1, apague la Descongeladora y la bomba de circulación. Si la Zona No. 2 está congelada, tape los tubos en el Punto A. Extraiga la tapa del Punto B y coloque en el Punto B un recipiente para recoger el agua.
4. Coloque las pinzas ubicadas a cada lado del corte en el Punto B. Una vez descongelada la Zona No. 2, apague la bomba de circulación y la Descongeladora.
5. Vuelva a conectar todos los tubos cortados anteriormente y compruebe si las zonas 1 y 2 reciben calor.

Procedimiento para métodos especiales

Aumento de la capacidad de descongelación de la KT-200 solamente

⚠ ADVERTENCIA Pueden ocurrir choques eléctricos o daños en los equipos si no se siguen los procedimientos correctos para efectuar operaciones en serie o en paralelo con las descongeladoras.

Funcionamiento en serie

Las unidades descongeladoras colocadas en serie forman la mejor configuración para descongelar largas extensiones de tubería.

1. Coloque las Descongeladoras cerca de la sección de tubería que se encuentra congelada y próximas unas de otras. Las orejetas o terminales de los cables deben quedar apuntando hacia la tubería.
2. Asegure que todas las unidades estén desenchufadas y que el interruptor central de cada una esté en la posición de OFF (apagado).
3. Conecte un extremo de la colita de cerdo (No. 62812 en el Catálogo RIDGID) en la orejeta derecha de la Descongeladora situada a la izquierda, y el otro extremo en la orejeta izquierda de la Descongeladora situada a la derecha.
4. Acople los cables descongeladores a las orejetas restantes.
5. Coloque una pinza a cada lado de la sección de tubería que se encuentra congelada.

⚠ ADVERTENCIA Se evita la producción de chispas entre las pinzas y la tubería si las pinzas se montan antes de enchufar la descongeladora.

6. Enchufe las Descongeladoras a tomacorrientes que NO se encuentren en el mismo circuito (protegidos por distintos fusibles).

⚠ ADVERTENCIA AMBAS descongeladoras deben estar enchufadas a un tomacorriente ANTES de encenderlas para evitar choques eléctricos.

7. Cuando se emplean dos Descongeladoras conectadas en serie, en el caso de las KT-200, se dispondrá en conjunto de siete regulaciones de potencia si se emplean los interruptores de las dos unidades. Las combinaciones son: AA, AB, BB, BC, CC, CD, DD.

¡NOTA! No se armará un circuito hasta que los interruptores de ambas unidades se hayan colocado en la posición ON (encendido).

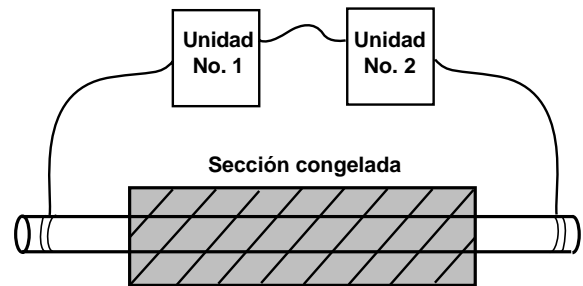


Figura 8 – Instalación en serie

Funcionamiento en paralelo

Unidades descongeladoras colocadas paralelamente forman la mejor configuración para descongelar tuberías de mayor diámetro.

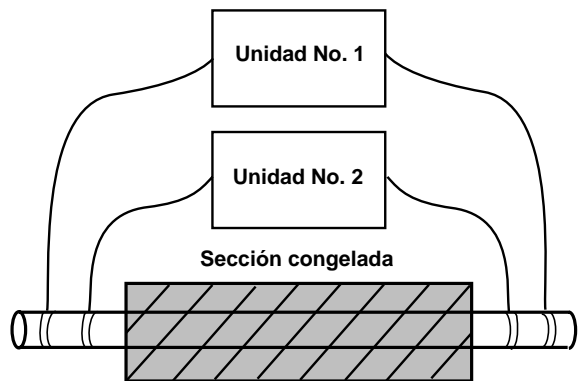


Figura 9 – Instalación en paralelo

1. Coloque ambas descongeladoras próximas a la sección de tubería que se encuentra congelada.
2. Asegure que las unidades se encuentren desenchufadas, sus interruptores en la posición de OFF (apagado) y los cables completamente desenrollados.
3. Acople los cables y pinzas a las orejetas en la parte trasera de las unidades.

- Coloque las pinzas a ambos lados de la sección congelada de la tubería.

⚠ ADVERTENCIA Para evitar la formación de chispas entre las pinzas y la tubería, acople las pinzas a la tubería antes de enchufar la Descongeladora.

- Enchufe las descongeladoras a tomacorrientes que NO estén en el mismo circuito (protegidos por distintos fusibles).

⚠ ADVERTENCIA Para evitar choques eléctricos, AMBAS descongeladoras deben estar enchufadas a un tomacorriente ANTES de encenderlas.

- En la unidad KT-200, las regulaciones de corriente disponibles son: AA, BB, CC y DD.

¡NOTA! Si ambas unidades tienen fijadas las mismas regulaciones, los dos amperímetros en las KT-200 deben mostrar aproximadamente el mismo valor. Si no es así, apague ambas unidades e intercambie los cables de una de las descongeladoras. La polaridad correcta se logra con la disposición de cables que genere la lectura más baja de amperios.

IMPORTANTE: Si no se siguen las instrucciones de instalación anteriores la mayor parte de la corriente fluirá a través de las pinzas adyacentes y no a través del tubo.

Instrucciones de mantenimiento

⚠ ADVERTENCIA

Asegure que la unidad esté desenchufada de la fuente de suministro antes de efectuarle mantenimiento o reparaciones.

Mantenimiento de la máquina

- Recambie los cables dañados, pelados, rotos o desgastados.
- Periódicamente limpie las orejetas con lana de acero y papel de lija.
- Recambie los cordones dañados, pelados, rotos o desgastados.
- Mantenga las pinzas limpias y secas.

Almacenamiento de la máquina

Los equipos eléctricos deben guardarse dentro, bajo techo, o bien cubiertos para guarecerlos de la lluvia. Almacene la máquina bajo llave, fuera del alcance de los niños y personas que no conocen el manejo de estas Descongeladoras. Esta máquina puede causar graves lesiones en manos de usuarios sin entrenamiento.

Servicio y reparaciones

⚠ ADVERTENCIA



Los trabajos de mantenimiento y reparaciones de esta máquina deben realizarlos técnicos calificados. La Descongeladora debe llevarse a un Servicentro Autorizado Independiente RIDGID o devuelta a la fábrica. Todas las reparaciones efectuadas por un servicentro RIDGID están garantizadas contra defectos en los materiales y de la mano de obra.

Sólo deben usarse piezas de recambio idénticas cuando se le hace servicio a esta máquina. El incumplimiento de estas instrucciones puede ocasionar choques eléctricos y otras lesiones graves.

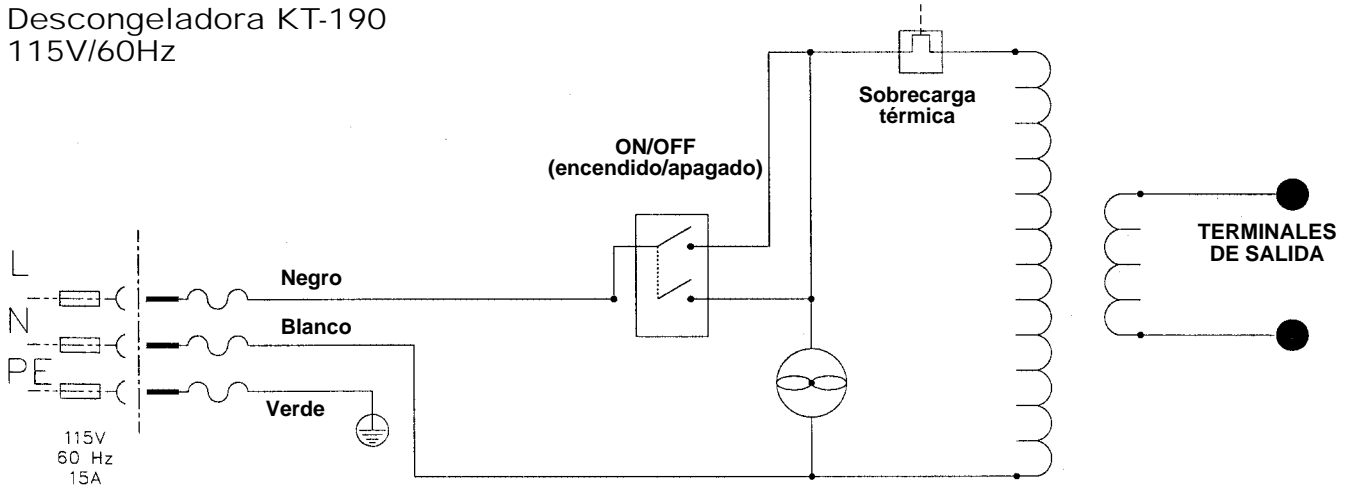
Si tiene cualquier pregunta relativa al servicio o reparación de esta máquina, llame o escriba a:

Ridge Tool Company
 Departamento de Servicio Técnico
 400 Clark Street
 Elyria, Ohio 44035-6001
 Teléfono: (800) 519-3456
 E-mail: TechServices@ridgid.com

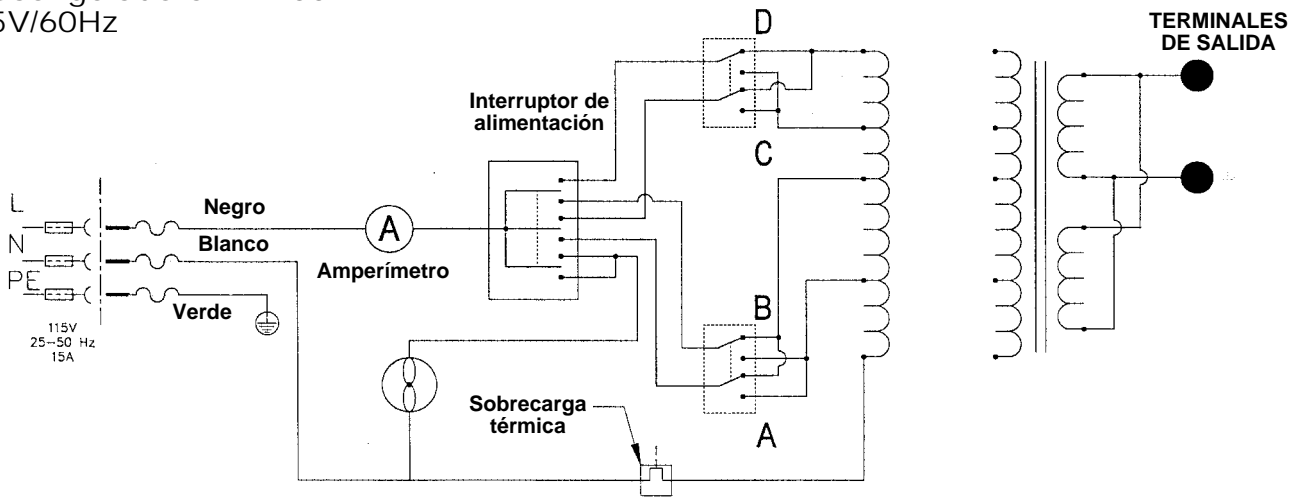
Para información sobre el nombre y dirección del Servicentro Autorizado Independiente más cercano, llame a Ridge Tool Company al (800) 519-3456 o visítenos <http://www.ridgid.com>

Esquemas eléctricos

Descongeladora KT-190
115V/60Hz



Descongeladora KT-200
115V/60Hz



**What is covered**

RIDGID® tools are warranted to be free of defects in workmanship and material.

How long coverage lasts

This warranty lasts for the lifetime of the RIDGID® tool. Warranty coverage ends when the product becomes unusable for reasons other than defects in workmanship or material.

How you can get service

To obtain the benefit of this warranty, deliver via prepaid transportation the complete product to RIDGE TOOL COMPANY, Elyria, Ohio, or any authorized RIDGID® INDEPENDENT SERVICE CENTER. Pipe wrenches and other hand tools should be returned to the place of purchase.

What we will do to correct problems

Warranted products will be repaired or replaced, at RIDGE TOOL'S option, and returned at no charge; or, if after three attempts to repair or replace during the warranty period the product is still defective, you can elect to receive a full refund of your purchase price.

What is not covered

Failures due to misuse, abuse or normal wear and tear are not covered by this warranty. RIDGE TOOL shall not be responsible for any incidental or consequential damages.

How local law relates to the warranty

Some states do not allow the exclusion or limitation of incidental or consequential damages, so the above limitation or exclusion may not apply to you. This warranty gives you specific rights, and you may also have other rights, which vary, from state to state, province to province, or country to country.

No other express warranty applies

This FULL LIFETIME WARRANTY is the sole and exclusive warranty for RIDGID® products. No employee, agent, dealer, or other person is authorized to alter this warranty or make any other warranty on behalf of the RIDGE TOOL COMPANY.

**Qué cubre**

Las herramientas RIDGID están garantizadas contra defectos de la mano de obra y de los materiales empleados en su fabricación.

Duración de la cobertura

Esta garantía cubre a la herramienta RIDGID durante toda su vida útil. La cobertura de la garantía caduca cuando el producto se torna inservible por razones distintas a las de defectos en la mano de obra o en los materiales.

Cómo obtener servicio

Para obtener los beneficios de esta garantía, envíe mediante porte pagado, la totalidad del producto a RIDGE TOOL COMPANY, en Elyria, Ohio, o a cualquier Servicentro Independiente RIDGID. Las llaves para tubos y demás herramientas de mano deben devolverse a la tienda donde se adquirieron.

Lo que hacemos para corregir el problema

El producto bajo garantía será reparado o reemplazado por otro, a discreción de RIDGE TOOL, y devuelto sin costo; o, si aún resulta defectuoso después de haber sido reparado o sustituido tres veces durante el período de su garantía, Ud. puede optar por recibir un reembolso por el valor total de su compra.

Lo que no está cubierto

Esta garantía no cubre fallas debido al mal uso, abuso o desgaste normal. RIDGE TOOL no se hace responsable de daño incidental o consiguiente alguno.

Relación entre la garantía y las leyes locales

Algunos estados de los EE.UU. no permiten la exclusión o restricción referente a daños incidentales o consiguientes. Por lo tanto, puede que la limitación o restricción mencionada anteriormente no rija para Ud. Esta garantía le otorga derechos específicos, y puede que, además, Ud tenga otros derechos, los cuales varían de estado a estado, provincia a provincia o país a país.

No rige ninguna otra garantía expresa

Esta GARANTÍA VITALICIA es la única y exclusiva garantía para los productos RIDGID. Ningún empleado, agente, distribuidor u otra persona está autorizado para modificar esta garantía u ofrecer cualquier otra garantía en nombre de RIDGE TOOL COMPANY.

Ridge Tool Company
400 Clark Street
Elyria, Ohio 44035-6001



EMERSON
Professional Tools