

micro IR-200

EN	P.	1
FR	P.	13
ES	P.	27
DE	P.	41
NL	P.	55
IT	P.	69
PT	P.	83
SV	P.	97
DA	P.	111
NO	P.	125
FI	P.	139
PL	P.	153
CZ	P.	167
SK	P.	181
RO	P.	195
HU	P.	209
EL	P.	223
HR	P.	237
SL	P.	251
SR	P.	265
RU	P.	279
TR	P.	293
KK	P.	307

RIDGID®



RIDGE TOOL COMPANY

Table of Contents

Recording Form for Machine Serial Number	1	Menu Button Use	11
Safety Symbols	2	High Alarm	11
General Safety Rules		Low Alarm	11
Work Area Safety	3	Temperature Display Units-C/F	11
Electrical Safety	3	Emissivity	11
Personal Safety	3	Cleaning	11
Equipment Use and Care	3	Storage	11
Service	4	Service and Repair	12
Specific Safety Information		Disposal	12
Infrared Thermometer Safety	4	Battery Disposal	12
Description, Specifications and Standard Equipment		EC Declaration of Conformity	Inside Back Cover
Description	4	Lifetime Warranty	Back Cover
Specifications	4		
Parts	6		
LCD Display Icons	6		
Standard Equipment	6		
Laser Classification	7		
FCC Statement	7		
Electromagnetic Compatibility (EMC)	7		
Changing/Installing Batteries	7		
Pre-Operation Inspection	8		
Set-Up and Operation			
Set-Up	9		
Operation			
Turning ON and OFF (Taking Measurements)	10		
micro IR-200 Controls			
Continuous Measurement (Scanning) Mode	10		
Laser Enabled/Disabled	10		
Backlight	11		

*Original Instructions - English

micro IR-200

micro IR-200 Non-Contact Infrared Thermometer



⚠ WARNING!

Read this Operator's Manual carefully before using this tool. Failure to understand and follow the contents of this manual may result in electrical shock, fire and/or serious personal injury.

micro IR-200 Non-Contact Infrared Thermometer

Record Serial Number below and retain product serial number which is located on nameplate.

Serial
No.

--	--

Safety Symbols

In this operator's manual and on the product, safety symbols and signal words are used to communicate important safety information. This section is provided to improve understanding of these signal words and symbols.



This is the safety alert symbol. It is used to alert you to potential personal injury hazards. Obey all safety messages that follow this symbol to avoid possible injury or death.

**DANGER**

DANGER indicates a hazardous situation which, if not avoided, will result in death or serious injury.

**WARNING**

WARNING indicates a hazardous situation which, if not avoided, could result in death or serious injury.

**CAUTION**

CAUTION indicates a hazardous situation which, if not avoided, could result in minor or moderate injury.

NOTICE

NOTICE indicates information that relates to the protection of property.



This symbol means read the operator's manual carefully before using the equipment. The operator's manual contains important information on the safe and proper operation of the equipment.



This symbol means this device contains a Class 2 Laser.



This symbol means do not stare into the laser beam.



This symbol warns of the presence and hazard of a laser beam.

General Safety Rules

⚠ WARNING

Read all safety warnings and instructions. Failure to follow the warnings and instructions may result in electric shock, fire and/or serious injury.

SAVE THESE INSTRUCTIONS!

Work Area Safety

- **Keep your work area clean and well lit.** Cluttered or dark areas invite accidents.
- **Do not operate equipment in explosive atmospheres, such as in the presence of flammable liquids, gases or dust.** Equipment can create sparks which may ignite the dust or fumes.
- **Keep children and by-standers away while operating equipment.** Distractions can cause you to lose control.

Electrical Safety

- **Avoid body contact with earthed or grounded surfaces such as pipes, radiators, ranges and refrigerators.** There is an increased risk of electrical shock if your body is earthed or grounded.
- **Do not expose equipment to rain or wet conditions.** Water entering equipment will increase the risk of electrical shock.

Personal Safety

- **Stay alert, watch what you are doing and use common sense when operating equipment. Do not use equipment while you are tired or under the influence of drugs, alcohol or medication.** A moment of inattention while operating equipment may result in serious personal injury.
- **Use personal protective equipment.** Always wear eye protection. Protective equipment such as dust mask, non-skid safety

shoes, hard hat, or hearing protection used for appropriate conditions will reduce personal injuries.

- **Do not overreach. Keep proper footing and balance at all times.** This enables better control of the power tool in unexpected situations.

Equipment Use and Care

- **Do not force equipment. Use the correct equipment for your application.** The correct equipment will do the job better and safer at the rate for which it is designed.
- **Do not use equipment if the switch does not turn it ON and OFF.** Any tool that cannot be controlled with the switch is dangerous and must be repaired.
- **Disconnect the batteries from the equipment before making any adjustments, changing accessories, or storing.** Such preventive safety measures reduce the risk of injury.
- **Store idle equipment out of the reach of children and do not allow persons unfamiliar with the equipment or these instructions to operate the equipment.** Equipment can be dangerous in the hands of untrained users.
- **Maintain equipment.** Check for misalignment or binding of moving parts, missing parts, breakage of parts and any other condition that may affect the equipment's operation. If damaged, have the equipment repaired before use. Many accidents are caused by poorly maintained equipment.
- **Use the equipment and accessories in accordance with these instructions, taking into account the working conditions and the work to be performed.** Use of the equipment for operations different from those intended could result in a hazardous situation.
- **Use only accessories that are recommended by the manufacturer for your equipment.** Accessories that may be suitable

for one piece of equipment may become hazardous when used with other equipment.

- **Keep handles dry and clean; free from oil and grease.** Allows for better control of the equipment.

Service

- **Have your equipment serviced by a qualified repair person using only identical replacement parts.** This will ensure that the safety of the tool is maintained.

Specific Safety Information

▲ WARNING

This section contains important safety information that is specific to this tool.

Read these precautions carefully before using the RIDGID® micro IR-200 Non-Contact Infrared Thermometer to reduce the risk of eye injury or other serious personal injury.

SAVE THESE INSTRUCTIONS!

Keep this manual with the tool for use by the operator.

Infrared Thermometer Safety

- **Do not look into the laser beam.** Looking into the laser beam may be hazardous to the eyes. Do not look at the laser beam with optical aids (such as binoculars or telescopes).
- **Do not direct the laser beam towards other people.** Make sure the laser is aimed above or below eye level. Laser beams may be hazardous to the eyes.
- **Do not use this device for personal inspection or medical use in any way.** This is not a medical device. This could cause personal injury.

- **Take appropriate precautions when working near electrical, moving or hot parts.** Close contact may cause electrical shock, entanglement, burns and other serious injury. Protective equipment may be required.

▲ CAUTION Use of controls or adjustments or performance of procedures other than those specified herein may result in hazardous radiation exposure.

If you have any question concerning this RIDGID® product:

- Contact your local RIDGID distributor.
- Visit RIDGID.com to find your local RIDGID contact point.
- Contact Ridge Tool Technical Service Department at rttechservices@emerson.com, or in the U.S. and Canada call (800) 519-3456.

Description, Specifications And Standard Equipment

Description

The RIDGID® micro IR-200 Non-Contact Infrared Thermometer provides simple, quick, and accurate surface temperature readings at the push of a button. You simply squeeze the trigger and point the ultra-sharp dual class II lasers at the surface being measured. The micro IR-200 provides an immediate temperature measurement on a clear, easy-to-read backlit LCD display. In addition to numerous other uses, this rugged, compact instrument enables professional tradesman to diagnose heating and ventilation problems, perform preventative monitoring of electrical motors and systems, troubleshoot steam traps and quickly check fuses or circuit breakers for overheating without contact.

The micro IR-200 uses optics to sense emitted, reflected and transmitted energy, which is collected and focused onto a detector. The unit's electronics translate the information into a temperature reading, which is displayed. Lasers are used to assist in aiming.

Specifications

Temperature Range	-58°F to 2192°F (-50°C to 1200°C)
Distance To Spot Ratio30 to 1
Measuring Accuracy	-58°F ~68°F (-50°C ~20°C) : ±4.5°F (2.5°C) 68°F ~1472°F (20°C ~800°C) ±1.0% or ±1.8°F (1.0°C)
Repeatability	-58°F ~68°F (-50°C ~20°C) : ±2.3°F (1.3°C) 68°F ~1472°F (20°C ~800°C) ±0.5% or ±0.9°F (0.5°C)
Response Time	150ms
Spectral Response	8~14um
Emissivity	Adjustable, 0.10 - 1.00
Over Range Indication	LCD will show "----"
Diode Laser	Output <1mW, Wavelength 630~670nm, Class 2 Laser Product
Temperature Display	Current Temperature, MAX Temperature
Measuring Units	Fahrenheit, Celsius
Operating Temperature	32°F to 122°F (0°C to 50°C)
Storage Temperature	14°F to 140°F (-10°C to 60°C)
Display Resolution	0.1°F (0.1°C)
Relative Humidity	10%~90% RH Operating, <80% RH Storage
Batteries	9V Battery (1), NEDA 1604A or IEC 6LR61, or Equivalent
IP Rating	IP54
Weight	0.6 lbs (0.3 kg)

Features

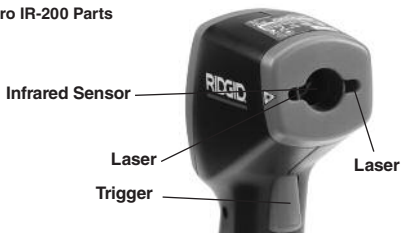
- Rapid Detection Function
- Dual Class II Laser Sighting
- Automatic Data Hold
- MAX Temperature Displays
- Precise Non-Contact Measurements
- Automatic Selection Range and Display Resolution 0.1°F (0.1°C)
- Backlight LCD Display
- Trigger Lock
- Set High and Low Alarms
- Adjustable Emissivity

**Figure 1 – micro IR-200 Non-Contact Infrared Thermometer**

Parts



Figure 2 – micro IR-200 Parts



LCD Display Icons

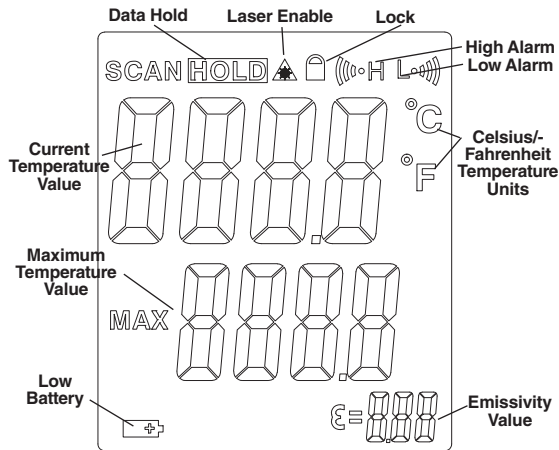


Figure 3 – micro IR-200 Display Icons

Standard Equipment

- micro IR-200
- Carrying Case
- Battery 1 x 9V
- Operator's Manual

NOTICE This equipment is used to make temperature measurements. Incorrect use or improper application may result in incorrect or inaccurate measurements. Selection of appropriate measurement methods for the conditions is the responsibility of the user.

Laser Classification



The RIDGID micro IR-200 generates a visible laser beam that is emitted from the front of the device.

The device complies with class 2 lasers according to: IEC 60825-1:2007

FCC Statement

This equipment has been tested and found to comply with the limits for a Class B digital device, pursuant to part 15 of the FCC Rules. These limits are designed to provide reasonable protection against harmful interference in a residential installation.

This equipment generates, uses, and can radiate radio frequency energy and, if not installed and used in accordance with the instructions, may cause harmful interference to radio communications.

However, there is no guarantee that interference will not occur in a particular installation.

If this equipment does cause harmful interference to radio or television reception, which can be determined by turning the equipment off and on, the user is encouraged to try to correct the interference by one or more of the following measures:

- Reorient or relocate the receiving antenna.
- Increase the separation between the equipment and receiver.
- Consult the dealer or an experienced radio/TV technician for help.

Electromagnetic Compatibility (EMC)

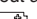
The term electromagnetic compatibility is taken to mean the capability of the product to function smoothly in an environment where electromagnetic radiation and electrostatic discharges are present and without causing electromagnet interference to other equipment.

NOTICE The RIDGID micro IR-200 conforms to all applicable EMC standards. However, the possibility of it causing interference in other devices cannot be precluded.



Figure 4 – Removing Battery Compartment

Changing/Installing Batteries

The micro IR-200 is supplied without a battery installed. If the battery indicator (Figure 3) displays , the battery needs to be replaced. Remove the battery prior to long term storage to avoid battery leakage.

1. Squeeze the battery clips and remove battery compartment from the thermometer (See Figure 4). If needed, remove battery.

2. Install 9V alkaline battery (6LR61), observing the correct polarity as indicated on the battery compartment.



Figure 5 – Battery Holder and Polarity Marking

3. Squeeze the clips and firmly insert into thermometer. The holder will only go in one way. Do not force. Confirm securely attached.

Pre-Operation Inspection

WARNING

Before each use, inspect your infrared thermometer and correct any problems to reduce the risk of injury or incorrect measurements.

Do not look into the laser beam. Looking into the laser beam may be hazardous to the eyes.

1. Clean any oil, grease or dirt from equipment. This aids inspection.
2. Inspect the micro IR-200 for any broken, worn, missing, misaligned or binding parts, or any other condition which may prevent safe and normal operation.

3. Check that the warning labels are present, firmly attached and readable. (See Figure 6.)
4. If any issues are found during the inspection, do not use the infrared thermometer until it has been properly serviced.
5. Following the Operation Instructions, turn the infrared thermometer ON, make a measurement and confirm the same measurement with another instrument (contact thermometer, etc.). If the correlation between the measurements is not acceptable, do not use the infrared thermometer until it has been properly serviced.



Figure 6 – Warning Labels



Set-Up and Operation

WARNING



Do not look into the laser beam. Looking into the laser beam may be hazardous to the eyes. Do not look at the laser beam with optical aids (such as binoculars or telescopes).

Do not direct the laser beam towards other people. Make sure the laser is aimed above or below eye level. Laser beams may be hazardous to the eyes.

Take appropriate precautions when working near electrical, moving or hot parts. Close contact may cause electrical shock, entanglement, burns and other serious injury. Protective equipment may be required.

Set up and operate the infrared thermometer according to these procedures to reduce the risk of injury or incorrect measurements.

Set-Up

1. Check for an appropriate work area as indicated in the *General Safety Section*.
2. Inspect the object being measured to and confirm that you have correct equipment for the application. See the *Specifications section* for range, accuracy and other information.

There are a variety of factors that can affect the accuracy of the micro IR-200, including:

Field of view – The micro IR-200 uses two lasers to project points on either side of the area to be measured. These points indicate the approximate diameter of the area (the “Spot”) that the temperature is being measured in. As the micro IR-200 moves further (D) away from the surface, that area and spot size (S) increases. The area is approximately $1/30$ times the distance to the surface. (See *Figure 7*.)

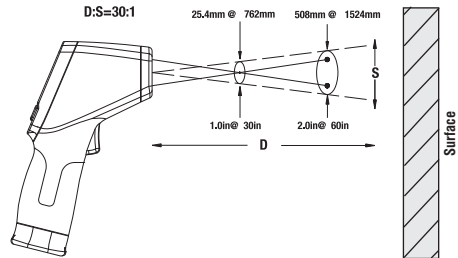


Figure 7 – Field Of View

The spot should always be smaller than the surface. The smaller the surface, the closer the micro IR-200 should be to the surface. For the best accuracy, the surface should be twice as large as the spot.

Emissivity – Emissivity is a term used to describe energy emitting characteristics of materials and has a value ranging from 0 to 1. The micro IR-200 allows adjustment of the emissivity value from 0.10 to 1.00 to calculate temperatures. If the emissive property of a surface is unknown, an emissivity of 0.95 can be appropriate for many applications, such as painted surfaces. Values of emissivity for common materials are included in *Figure 8*.

Material	Emissivity	Material	Emissivity
Aluminum, polished	0.05	Paint	0.95
Asphalt	0.88	Paper, white	0.90
Brick	0.90	Plaster, rough	0.89
Concrete, rough	0.91	Rubber	0.93
Copper, polished	0.04	Steel, galvanized	0.28
Glass	0.95	Steel, oxidized	0.88
Limestone	0.92	Water	0.96
Marble, polished	0.90		

Figure 8 – Emissivity Values of Common Materials

Temperature – While the micro IR-200 compensates for variation from ambient temperature, large changes in ambient and measured temperatures can reduce accuracy. When significant changes in ambient temperature (more than 30°F or 17°C) are encountered, allow fifteen minutes for the micro IR-200 to adjust for best accuracy.

Obstructions – Steam, dust, smoke and other obstructions like glass or plastic between the micro IR-200 and the surface being measured can decrease accuracy. These obstruct the unit optics or give false readings (measure the temperature of the glass instead of the surface). Do not use when obstructions are present.

3. Make sure that all equipment has been properly inspected.

Operation

Turning ON and OFF (Taking Measurements)

1. Hold the micro IR-200 by the handle grip and point it at the surface to be measured. Keep away from any electrical, moving or hot parts. Make sure that the unit is pointed in a safe direction away from any bystanders before turning ON.
2. Squeeze the trigger to turn the micro IR-200 ON. When the trigger is squeezed, the SCAN icon will be ON, and the micro IR-200 will continuously update the displayed current temperature value and display the maximum temperature value since the unit was turned ON.

The micro IR-200 can be moved slowly over the surface to locate hot or cool areas. See the *High Alarm and Low Alarm sections* for information on high and low alarm settings.

3. When the trigger is released, the HOLD icon will be ON. The micro IR-200 will automatically turn OFF after seven seconds unless the unit is in Continuous Measurement mode.

micro IR-200 Controls



Figure 8 – micro IR-200 Display/Buttons

Continuous Measurement (Scanning) Mode

The micro IR-200 can be locked ON to allow measurements without holding the trigger. Make sure that the unit is pointed in a safe direction away from any bystanders before turning ON. Turn the micro IR-200 ON by squeezing and holding the trigger. While holding the trigger, press and release the menu button. The SCAN and Lock icons will be ON. Release the trigger, and the micro IR-200 will continuously update the measured temperature until the trigger switch is squeezed and released again.

Laser Enabled/Disabled

If needed, the lasers used for aiming can be turned off to help conserve battery life. If this is done, extra care must be used when aim-

ing the micro IR-200 to ensure good readings. To enable or disable, while squeezing the trigger, press and release the laser enable button. The Laser Enable icon will be ON when the laser is enabled.

Backlight

If using in a low lit area, the micro IR-200 is equipped with a display backlight. To turn the backlight ON and OFF, with the unit ON, press the backlight button.

Menu Button Use

After squeezing the trigger, pressing and releasing the menu button will allow you to cycle through the following settings in this order: High Alarm ON/OFF, High Alarm Temperature Setting, Low Alarm ON/OFF, Low Alarm Temperature Setting, Temperature Display Units, Emissivity.

High Alarm

High Alarm will give an audible tone when the current temperature exceeds a preset limit. To turn the High Alarm ON, squeeze and release the trigger, and then press and release the menu button until the High Alarm icon is flashing. Use the up/down buttons to turn the High Alarm feature ON/OFF as indicated on the current temperature value line. Press and release the menu button again. The High Alarm icon will continue to flash, and the High Alarm temperature will appear. Use the up/down buttons to change the High Alarm temperature as desired. Squeeze the trigger to exit the Settings mode and save your selection.

Low Alarm

Low Alarm will give an audible tone when the current temperature falls below a preset limit. To turn the Low Alarm ON, squeeze and release the trigger, and then press and release the menu button until the Low Alarm icon is flashing. Use the up/down buttons to turn the Low Alarm feature ON/OFF as indicated on the current temperature

value line. Press and release the menu button again. The Low Alarm icon will continue to flash, and the Low Alarm temperature will appear. Use the up/down buttons to change the Low Alarm temperature as desired. Squeeze the trigger to exit the Settings mode and save your selection.

Temperature Display Units - °C/°F

The micro IR-200 can display temperatures in either degrees Celsius (C) or Fahrenheit (F). To change the display unit, squeeze and release the trigger, and then press and release the menu button until the temperature unit on the screen is flashing. Use the up/down buttons to switch between F or C as desired. Squeeze the trigger to exit the Settings mode and save your selection.

Emissivity

The emissivity value can be set from 0.10 to 1.00. See the Set-Up section to determine an appropriate value for your application. To adjust this value, squeeze and release the trigger, and then press and release the menu button until the emissivity value on the screen is flashing. Use the up/down buttons to increase or decrease the emissivity value. Squeeze the trigger to exit the Settings mode and save your selection.

Cleaning

Do not immerse the RIDGID micro IR-200 Non-Contact Infrared Thermometer in water. Wipe off dirt with a damp soft cloth. Do not use aggressive cleaning agents or solutions. Treat the instrument as you would a telescope or camera.

Storage

The RIDGID micro IR-200 Infrared Thermometer must be stored in a dry secure area between -10°C (14°F) and 60°C (140°F).

Store the tool in a locked area out of the reach of children and people unfamiliar with the micro IR-200.

Remove the battery before any long period of storage or shipping to avoid battery leakage.

Service and Repair

WARNING

Improper service or repair can make the RIDGID micro IR-200 Non-Contact Infrared Thermometer unsafe to operate.

Service and repair of the micro IR-200 must be performed by a RIDGID Authorized Independent Service Center.

For information on your nearest RIDGID Authorized Independent Service Center or any service or repair questions:

- Contact your local RIDGID distributor.
- Visit RIDGID.com to find your local RIDGID contact point.
- Contact Ridge Tool Technical Service Department at rttechservices@emerson.com, or in the U.S. and Canada call (800) 519-3456.

Disposal

Parts of the RIDGID micro IR-200 Non-Contact Infrared Thermometer contain valuable materials and can be recycled. There are companies that specialize in recycling that may be found locally. Dispose of the components in compliance with all applicable regulations. Contact your local waste management authority for more information.



For EC Countries: Do not dispose of electrical equipment with household waste!

According to the European Guideline 2012/19/EU for Waste Electrical and Electronic Equipment and its implementation into national legislation, electrical equipment that is no longer usable must be collected separately and disposed of in an environmentally correct manner.

Battery Disposal

For EC countries: Defective or used batteries must be recycled according to the guideline 2012/19/EU.

micro IR-200

Thermomètre infrarouge à distance micro IR-200



⚠ AVERTISSEMENT

Familiarisez-vous bien avec le mode d'emploi avant d'utiliser l'appareil. L'incompréhension ou le non-respect des consignes ci-après augmenteraient les risques de choc électrique, d'incendie et/ou d'accident grave.

Thermomètre infrarouge à distance micro IR-200

Pour future référence, notez ci-dessous le numéro de série de l'appareil indiqué sur sa plaque signalétique.

N° de
série

--	--

Table des matières

Fiche d'enregistrement du n° de série de l'appareil.....	13	Utilisation de la touche «Menu».....	24
Symboles de sécurité.....	15	Alarme température élevée	24
Consignes générales de sécurité		Alarme basse température	25
Sécurité des lieux	16	Unités d'affichage de température (°C/°F).....	25
Sécurité électrique.....	16	Emissivité	25
Sécurité individuelle.....	16	Nettoyage	25
Utilisation et entretien du matériel	16	Stockage	25
Service après-vente.....	17	Révisions et réparations	25
Consignes de sécurité particulières		Recyclage de l'appareil	26
Sécurité du thermomètre infrarouge	17	Recyclage des piles	26
Description, caractéristiques et équipements de base		Déclaration de conformité CE	Recto de page de garde
Description.....	17	Garantie à vie	Page de garde
Caractéristiques.....	18		
Composants.....	19		
Icônes d'affichage ACL	20		
Équipements de base.....	20		
Classification du laser	20		
Énoncé FCC	20		
Compatibilité électromagnétique (EMC)	21		
Remplacement et installation des piles	21		
Inspection préalable	21		
Préparation et utilisation de l'appareil			
Préparation	22		
Fonctionnement			
Activation, désactivation, prises de température	23		
Commandes du micro IR-200			
Mode «Scanning» (balayage de températures en continu) ..	24		
Activation/désactivation du laser	24		
Éclairage de fond.....	24		

*Traduction du texte d'origine en anglais.

Symboles de sécurité

Des symboles et mots clés spécifiques, utilisés à la fois dans ce mode d'emploi et sur l'appareil lui-même, servent à signaler d'importants risques de sécurité. Ce qui suit permettra de mieux comprendre la signification de ces mots clés et symboles.



Ce symbole sert à vous avertir aux dangers physiques potentiels. Le respect des consignes qui le suivent vous permettra d'éviter les risques de blessures graves ou mortelles.



DANGER Le terme DANGER signifie une situation dangereuse potentielle qui, faute d'être évitée, provoquerait la mort ou de graves blessures corporelles.



AVERTISSEMENT Le terme AVERTISSEMENT signifie une situation dangereuse potentielle qui, faute d'être évitée, serait susceptible d'entraîner la mort ou de graves blessures corporelles.



ATTENTION Le terme ATTENTION signifie une situation dangereuse potentielle qui, faute d'être évitée, serait susceptible d'entraîner des blessures corporelles légères ou modérées.



AVIS IMPORTANT Le terme AVIS IMPORTANT signifie des informations concernant la protection des biens.



Ce symbole indique la nécessité de lire le manuel soigneusement avant d'utiliser le matériel. Le mode d'emploi renferme d'importantes informations concernant la sécurité d'utilisation du matériel.



Ce symbole signale que l'appareil renferme un laser de Classe 2.



Ce symbole interdit de regarder dans le faisceau laser.



Ce symbole indique la présence d'un faisceau laser et des dangers associés.

Consignes générales de sécurité

⚠ AVERTISSEMENT

Familiarisez-vous avec l'ensemble du mode d'emploi. Le non-respect des consignes d'utilisation et de sécurité ci-après augmenterait les risques de choc électrique, d'incendie et/ou de grave blessure corporelle.

CONSERVEZ CES INSTRUCTIONS !

Sécurité des lieux

- **Assurez-vous de la propreté et du bon éclairage des lieux.** Les zones encombrées ou mal éclairées sont une invitation aux accidents.
- **N'utilisez pas d'instruments électriques en présence de matières explosives telles que liquides, gaz ou poussières combustibles.** Les appareils électriques produisent des étincelles susceptibles d'enflammer les poussières et émanations combustibles.
- **Eloignez les enfants et les curieux lors de l'utilisation d'un appareil électrique.** Les distractions risquent de vous faire perdre le contrôle de l'appareil.

Sécurité électrique

- **Évitez tout contact physique avec les objets reliés à la terre tels que canalisations, radiateurs, cuisinières et réfrigérateurs.** Tout contact avec la terre augmenterait les risques de choc électrique.
- **N'exposez pas l'appareil à la pluie ou aux intempéries.** Toute pénétration d'eau à l'intérieur d'un appareil électrique augmenterait les risques de choc électrique.

Sécurité individuelle

- **Soyez attentif, faites attention à ce que vous faites et faites preuve de bon sens.** N'utilisez pas d'appareil électrique lorsque

vous êtes sous l'influence de drogues, de l'alcool ou de médicaments. Lors de l'utilisation d'un appareil électrique, un instant d'inattention risque d'entraîner de graves lésions corporelles.

- **Prévoyez les équipements de protection individuelle nécessaires.** Portez systématiquement une protection oculaire. Le port d'un masque à poussière, de chaussures de sécurité antidérapantes, d'un casque de chantier ou de protecteurs d'oreilles s'impose lorsque les conditions l'exigent.
- **Ne vous mettez pas en porte-à-faux. Maintenez une bonne position de travail et un bon équilibre à tout moment.** Cela vous permettra de mieux contrôler l'appareil en cas d'imprévu.

Utilisation et entretien de l'appareil

- **Ne forcez pas l'appareil. Prévoyez un appareil adapté aux travaux envisagés.** L'appareil approprié fera le travail plus efficacement et avec un plus grand niveau de sécurité lorsqu'il tourne au régime prévu.
- **N'utilisez pas l'appareil si son interrupteur marche/arrêt ne fonctionne pas correctement.** Tout appareil qui ne peut pas être contrôlé par son interrupteur est dangereux et doit être réparé.
- **Retirez le bloc-piles de l'appareil avant de le régler, de changer ses accessoires ou de le ranger.** De telles mesures préventives limiteront les risques de blessure.
- **Rangez tout appareil non utilisé hors de la portée des enfants et des individus qui n'ont pas été familiarisés avec ce type de matériel ou son mode d'emploi.** Les appareils électriques peuvent devenir dangereux s'ils tombent entre les mains d'utilisateurs non initiés.
- **Veillez à l'entretien de l'appareil. Examinez-le pour signes de désalignement, de grippage, d'absence ou de bris de ces composants, et de toute autre anomalie qui risquerait de nuire à son bon fonctionnement. Le cas échéant, faire ré-**

parer l'appareil avant de l'utiliser. De nombreux accidents sont provoqués par des appareils mal entretenus.

- **Servez-vous de l'appareil et de ses accessoires selon les consignes ci-présentes en tenant compte des conditions de travail et des travaux envisagés.** L'utilisation de ce matériel à des fins autres que celles prévues pourrait s'avérer dangereux.
- **Utilisez exclusivement les accessoires prévus par le fabricant pour votre type d'appareil particulier.** L'utilisation d'accessoires adaptés à d'autres types d'appareil risque de s'avérer dangereuse.
- **Assurez la parfaite propreté de l'appareil.** Cela permettra de mieux le contrôler.

Révisions

- **Confiez les révisions de ce matériel à un réparateur qualifié utilisant exclusivement des pièces de rechange identiques à celles d'origine.** Cela assurera la sécurité intrinsèque du matériel.

Consignes de sécurité spécifiques

⚠ AVERTISSEMENT

La section suivante contient d'importantes consignes de sécurité qui s'adressent spécifiquement à ce type d'instrument.

Afin de limiter les risques d'incendie et de choc électrique ou autres blessures graves, lisez le mode d'emploi soigneusement avant d'utiliser le thermomètre infrarouge RIDGID® micro IR-200.

CONSERVEZ CES INSTRUCTIONS !

Gardez le présent manuel à portée de main de l'utilisateur.

Sécurité du thermomètre infrarouge

- **Ne pas regarder dans le faisceau laser de l'instrument.** Le faisceau laser est capable d'endommager la vue. Ne pas regarder vers le faisceau laser avec des jumelles, un télescope ou autres aides oculaires.
- **Ne jamais orienter le faisceau laser vers autrui.** S'assurer que le laser est orienté plus haut ou plus bas que le niveau des yeux. Tout faisceau laser est capable d'endommager la vue.
- **Ne jamais utiliser cet appareil pour des examens physiques ou médicaux.** Ceci n'est pas un instrument médical. Il y aurait risque de blessure corporelle.
- **Soyez particulièrement attentif lors des travaux à proximité d'éléments électriques, mécaniques ou brûlants.** Un contact rapproché risque de provoquer des chocs électriques, un enchevêtrement, des brûlures ou autres graves blessures. Des équipements de protection peuvent s'avérer nécessaires.

⚠ AVIS IMPORTANT L'utilisation des commandes, réglages ou procédés à des fins autres que celles prescrites augmenterait les risques d'exposition radioactive.

En cas de questions concernant ce produit RIDGID® :

- Consultez votre distributeur RIDGID
- Consultez les sites RIDGID.com pour localiser le représentant Ridge Tool le plus proche.
- Consultez les services techniques de Ridge Tool par mail adressé à rttechservices@emerson.com, ou, à partir des États-Unis et du Canada, en composant le (800) 519-3456.

Description, caractéristiques techniques et équipements de base

Description

Le thermomètre infrarouge RIDGID® micro IR-200 fournit des mesures de température de surface à la fois simples, rapides et précises avec un seul appui de touche. Appuyez simplement sur la gâchette en visant la surface avec les deux lasers classe II ultra précis. La température relevée s'affiche instantanément sur l'écran à éclairage de fond du micro IR-200. En plus de nombreuses autres applications, cet instrument compact et robuste permet au professionnel de diagnostiquer les problèmes de chauffage et de ventilation, d'effectuer le contrôle préventif des moteurs et systèmes électriques, de dépanner les soupapes à vapeur, et de rapidement vérifier la température d'un boîtier à fusible ou coupe-circuit, le tout sans avoir à toucher les éléments concernés.

Le micro IR-200 fait appel à un système optique pour relever l'énergie émise, réfléchie et transmise, pour ensuite la renvoyer sur un détecteur. Le système électronique de l'instrument traduit alors ces informations sous forme de lecture de température affichée à l'écran. Les lasers servent à viser la cible avec un maximum de précision.

Caractéristiques techniques

Plage de températures	-50°C à 1200°C (-58°F à 2192°F)
Rapport distance/point de mire.....	30 : 1
Précision de mesure	-50°C à 20°C : ± 4,5% ou 2,5°C 20°C à 800°C : ± 1% ou 1,0°C
Prise de contrôle.....	-50°C à 20°C : ± 2,3# ou 1,3°C

20°C à 800°C : ±0,5%
ou 0,5°C

Temps de réponse.....	150 m/s
Réponse spectrale	8 à 14 µm
Emissivité	Modulable de 0,10 à 1,00
Indicateur hors portée	Affichage LCD : « --- »
Laser à diodes	Puissance < 1mW, longueur d'onde 630 à 670 nm, laser Classe 2
Affichage de températures	Température actuelle, température maximum
Unités de mesure.....	Fahrenheit, Celsius
Température opérationnelle	0°C à 50°C
Température de stockage	-10°C à 60°C
Résolution d'écran	0,1°C
Humidité relative	1 Fonctionnement : 10% à 90%, stockage : <80%
Piles.....	1 pile 9V type NEDA 1604a, IEC 6LR61 ou équivalente
Grade IP	IP54
Poids.....	0,6 livres (300g)

Avantages

- Fonction « mesure rapide »
- Visée à deux lasers Classe II
- Mémoire de données automatique
- Affichage des températures maxi relevées
- Mesures précises sans contact
- Sélection de portée et résolution d'affichage automatique 0,1°C
- Affichage LCD à éclairage de fond
- Gâchette à verrouillage

- Réglage des paramètres d'alarme de température élevée et basse température
- Emissivité modulable

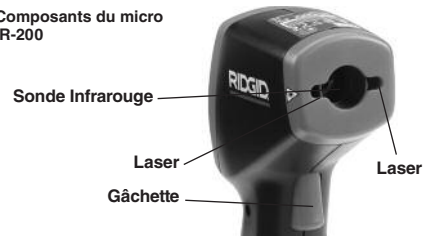


Figure 1 – Thermomètre infrarouge à distance micro IR-200

Composants



Figure 2 – Composants du micro IR-200



Icônes d'affichage LCD

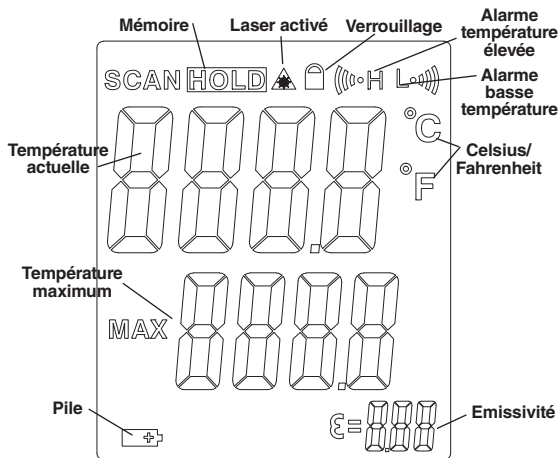


Figure 3 – Icônes d'affichage du micro IR-200

Equipements de base

- micro IR-200
- Mallette de transport
- Pile 9V
- Mode d'emploi

AVIS IMPORTANT Cet instrument est destiné aux mesures de température. Toute utilisation incorrecte ou mal appropriée pourrait entraîner des résultats incorrects et des manques de précision. Le choix des méthodes de mesure appropriées reste la seule responsabilité de l'utilisateur.

Classification du laser



Le RIDGID micro IR-200 produit un faisceau laser émis depuis le haut de l'instrument.

Cet instrument est conforme aux normes suivantes visant les lasers Classe 2 : IEC 60825-1 :2007.

Avertissement FCC

Cet instrument a été testé et trouvé conforme aux limites applicables aux appareils numériques Classe B selon l'article 15 de la réglementation FCC. Ces limites assurent un minimum de protection contre les parasites dans les installations domestiques.

Ce matériel produit, utilise et risque de rayonner des fréquences radio et, s'il n'est pas installé et utilisé conformément aux instructions, risque de provoquer des parasites nuisibles aux communications radio.

Il n'y a cependant aucune garantie que des parasites n'auront pas lieu dans une installation particulière.

Au cas où ce matériel provoquerait des parasites nuisibles à la réception radio ou télévision, chose vérifiable par la mise en marche et l'arrêt de l'instrument, l'utilisateur serait conseillé d'entreprendre l'une ou plusieurs des mesures suivantes afin d'éliminer le problème :

- Réorienter ou déplacer l'antenne de réception.
- Accroître la distance entre le matériel et le récepteur.

- Demander conseil au concessionnaire ou à un réparateur radio/télé compétent.

Compatibilité électromagnétique (EMC)


Le terme « compatibilité électromagnétique » sous-entend le fonctionnement normal d'un appareil en présence de radiations électromagnétiques et décharges électrostatiques sans provoquer de parasites électromagnétiques nuisibles aux autres appareils environnants.

AVIS IMPORTANT Le RIDGID micro IR-200 est conforme aux normes EMC applicables. Cependant, la possibilité du parasitage des appareils environnants ne peut pas être exclue.



Figure 4 – Retrait du porte-pile

Remplacement des piles

Le micro IR-200 est fournie sans pile installée. Si le témoin de charge  apparaît (Figure 3), il sera nécessaire de remplacer la pile. Retirez la pile avant le stockage prolongé de l'instrument pour éviter les fuites d'électrolyte.

1. Comprimez les languettes du porte-pile et retirez-le du thermomètre (Figure 4). Le cas échéant, retirez la pile existante.
2. Installez une pile alcaline de 9V type 6LR61 en respectant la polarité indiquée dans le porte-pile.



Figure 5 – Indications de polarité sur le porte-pile

3. Comprimez les languettes du porte-pile et réintroduisez-le dans le thermomètre. Le porte-pile ne peut être introduit que dans un sens. Ne pas forcer. Assurez-vous de son emboîtement complet.

Inspection préalable

AVERTISSEMENT

Examinez le thermomètre infrarouge avant chaque utilisation et corrigez toute anomalie éventuelle afin de limiter les risques de blessure et de prises de mesure incorrectes.

Ne pas regarder dans le faisceau laser. Le faisceau laser risque d'endommager la vue.

1. Nettoyez l'instrument afin d'en faciliter l'inspection.
2. Examinez le micro IR-200 pour signes de composants brisés, usés, manquants mal alignés ou grippés, ainsi que pour toute

autre anomalie qui pourrait nuire au bon fonctionnement et à la sécurité de l'instrument.

3. Assurez-vous de la présence et de la lisibilité des étiquettes d'avertissement (Figure 6).
4. N'utilisez pas le thermomètre infrarouge avant d'avoir corrigé toute anomalie éventuelle.
5. Allumez le thermomètre infrarouge selon les instructions, prenez une mesure, puis confirmez-la à l'aide d'un autre instrument (thermomètre à contact, etc.). Si la corrélation entre les deux mesures n'est pas acceptable, il sera nécessaire de faire réviser le thermomètre infrarouge avant de vous en servir.



Figure 6 – Étiquettes d'avertissement



Préparation et utilisation de l'appareil

⚠ AVERTISSEMENT



Ne jamais regarder dans le faisceau laser. Le faisceau laser peut endommager la vue. Ne jamais regarder dans le faisceau

laser à l'aide d'un instrument optique tel qu'un télescope ou des jumelles.

Ne jamais orienter le faisceau laser vers autrui. S'assurer que le laser est orienté plus haut ou plus bas que le niveau des yeux. Un faisceau laser peut endommager la vue.

Prenez les précautions nécessaires lors des travaux à proximité d'éléments électriques, mécaniques ou brûlants. Un contact rapproché risque de provoquer des chocs électriques, un enchevêtrement, des brûlures ou autres graves blessures. Des équipements de protection peuvent s'avérer nécessaires.

Préparez et utilisez le thermomètre infrarouge selon les consignes suivantes afin de limiter les risques de blessure et de mesures erronées.

Préparation

1. Trouvez une zone de travail appropriée en respectant la section *Consignes générales de sécurité*.
2. Examinez l'objet à mesurer afin de vous assurer que vous disposez du matériel approprié. Reportez-vous à la section *Caractéristiques techniques* pour, entre autres informations, les limites de portée et de précision.

Plusieurs facteurs peuvent influencer la précision du micro IR-200, notamment :

Champ de vision – Le micro IR-200 fait appel à deux lasers pour projeter des points de part et d'autre de la zone à mesurer. Ces points délimitent la surface approximative de la zone de prise de température. Le diamètre de cette zone (S) augmente au fur et à mesure de l'éloignement du micro IR-200 de la surface (D) en question. La surface de la zone est approximativement égale à 5% de la distance entre le thermomètre et la surface visée (Figure 7).

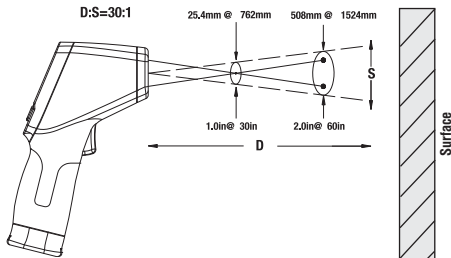


Figure 7 – Champ de vision

Le diamètre de la zone de prise de température doit toujours s'inscrire dans la surface mesurée. Plus la surface est petite, plus il sera nécessaire de se rapprocher d'elle. Une précision optimale sera obtenue lorsque la surface mesurée est au moins deux fois plus grande que la zone de prise de température.

Emissivité – L'émissivité est le terme utilisé pour décrire le taux d'émission d'énergie de diverses matières sur une plage numérique allant de 0 à 1. Le micro IR-200 permet de moduler cette émissivité de 0,10 à 1,00 pour le calcul des températures. Lorsque l'émissivité d'une surface est inconnue, une valeur de 0,95 peut servir à de nombreuses applications, telles que les surfaces peintes. Les taux d'émissivité des matières courantes sont indiqués à la Figure 8.

Matière	Emissivité	Matière	Emissivité
Aluminium poli	0,05	Peinture	0,95
Asphalte	0,88	Papier blanc	0,90
Brique	0,90	Plâtre	0,89
Béton brut	0,91	Caoutchouc	0,93
Cuivre poli	0,04	Acier galvanisé	0,28
Verre	0,95	Acier oxydé	0,88
Calcaire	0,92	Eau	0,96
Marbe poli	0,90		

Figure 8 – Emissivité des matières courantes

Température – Même si le micro IR-200 tient compte des variations de température ambiante, de grandes variations de température ambiante ou de température mesurée peuvent limiter sa précision. Afin d'obtenir un maximum de précision en présence de variations importantes de température ambiante (supérieures à 17°C), permettez au micro IR-200 de s'acclimater pendant une quinzaine de minutes.

Obstacles – L'interposition d'obstacles tels que vapeur, poussière, fumée verre ou matières plastiques entre le micro IR-200 et la surface à mesurer peut nuire à la précision des relevés. De tels obstacles peuvent occulter l'optique de l'instrument ou produire des lectures erronées (mesure de la température du verre au lieu de celle de la surface). Ne pas utiliser cet instrument en présence de tels obstacles.

- Assurez-vous qu'une inspection appropriée de l'ensemble du matériel a bien été effectuée.

Fonctionnement

Activation, désactivation, prises de température

- Tenez le micro IR-200 par sa poignée et orientez-le vers la surface à mesurer. Éloignez-le de tout élément électrique, mé-

canique ou brûlant. Assurez-vous que l'instrument n'est pas orienté vers autrui avant de l'activer.

2. Appuyez sur la gâchette pour activer le micro IR-200. En appuyant sur la gâchette, l'icône SCAN s'allume et le micro IR-200 affiche à la fois et en continu la prise de température en cours et la température maximale relevée depuis l'activation de l'instrument.

Il s'agit de déplacer le micro IR-200 lentement sur une surface pour localiser d'éventuels points chauds ou froids. Reportez-vous à la section *Alarme de température élevée/Alarme de basse température* pour de plus amples détails sur l'utilisation des alarmes haute et basse température.

3. Lorsque l'on lâche la gâchette, l'icône HOLD s'allume. Le micro IR-200 s'éteindra automatiquement au bout de sept secondes s'il n'est pas en mode de mesure en continu.

micro IR-200 Controls



Figure 8 – Touches et écran du micro IR-200

Mesure en continu (scanner)

Il est possible de verrouiller la gâchette pour que le micro IR-200 prenne des mesures en continu sans avoir à la tenir appuyée. Assurez-vous que l'instrument n'est pas orienté vers autrui avant de l'activer. Appuyez sur la gâchette pour activer le micro IR-200. Tout en tenant la gâchette appuyée, appuyez momentanément sur la touche Menu. Les icônes SCAN et Lock (verrouillage) s'allumeront. Lâchez la gâchette, et le micro IR-200 continuera de mesurer la température actuelle jusqu'à ce que vous appuyez à nouveau momentanément sur la gâchette.

Activation et désactivation du laser

Les lasers de visée peuvent éventuellement être éteints afin d'aider à conserver la pile. Le cas échéant, il convient de faire particulièrement attention lorsque l'on vise le micro IR-200 afin d'assurer des lectures précises. Pour activer ou désactiver les lasers, tenez la gâchette appuyée, puis appuyez sur la touche Laser. Lorsque le laser est activé, son icône s'allume.

Eclairage de fond

L'écran du micro IR-200 est équipé d'un éclairage de fond pour servir dans les endroits mal éclairés. Pour allumer ou éteindre l'éclairage de fond lorsque l'instrument est activé, appuyez sur la touche d'éclairage de fond.

Utilisation de la touche Menu

Avec la gâchette appuyée, appuyez momentanément sur la touche Menu pour naviguer entre les paramètres suivants : activation/désactivation d'alarme de température élevée, réglage d'alarme de température élevée, activation/désactivation d'alarme de basse température, réglage d'alarme de basse température, unités de mesure de température (dans l'ordre), émissivité.

Alarme de température élevée

L'alarme de température élevée émettra une tonalité audible dès que la température présente dépasse une limite préétablie. Pour activer l'alarme de température élevée, appuyez momentanément sur la gâchette, puis aussi souvent que nécessaire sur la touche Menu pour que l'icône d'alarme de température élevée s'affiche en clignotant. Servez-vous des flèches haute et basse pour activer ou désactiver l'alarme comme indiqué sur la ligne de température actuelle. Appuyez à nouveau momentanément sur la touche Menu. L'icône d'alarme de température élevée continuera à clignoter et la température limite sera affichée. Servez-vous des flèches haute et basse pour régler la température d'alarme au souhait. Appuyez sur la gâchette pour quitter le mode de réglage et sauvegarder vos paramètres.

Alarme de basse température

L'alarme de basse température émettra une tonalité audible dès que la température présente tombe en dessous d'une limite préétablie. Pour activer l'alarme de basse température, appuyez momentanément sur la gâchette, puis aussi souvent que nécessaire sur la touche Menu pour que l'icône d'alarme de basse température s'affiche en clignotant. Servez-vous des flèches haute et basse pour activer ou désactiver l'alarme comme indiqué sur la ligne de température actuelle. Appuyez à nouveau momentanément sur la touche Menu. L'icône d'alarme de basse température continuera à clignoter et la température limite sera affichée. Servez-vous des flèches haute et basse pour régler la température d'alarme au souhait. Appuyez sur la gâchette pour quitter le mode de réglage et sauvegarder vos paramètres.

Unités d'affichage de température (°C ou °F)

Le thermomètre infrarouge RIDGID micro IR-200 peut afficher les températures en degrés Celsius (°C) ou Fahrenheit (°F) au choix. Pour changer d'unités d'affichage, appuyez momentanément sur la

gâchette, puis momentanément sur la touche Menu aussi souvent qu'il faudra pour que l'unité de température affichée à l'écran se mette à clignoter. Servez-vous des flèches haute et basse pour changer d'unités de température affichée. Appuyez sur la gâchette pour quitter le mode de réglage et sauvegarder vos paramètres.

Emissivité

Le taux d'émissivité peut être réglé de 0,10 à 1,00. Consultez le chapitre « Préparation » afin de déterminer le taux d'émissivité approprié pour l'application envisagée. Pour régler le taux d'émissivité, appuyez momentanément d'abord sur la gâchette, puis sur la touche « Menu » jusqu'à ce que la valeur d'émissivité affichée commence à clignoter. Utilisez les flèches verticales pour augmenter ou diminuer la valeur d'émissivité. Appuyez à nouveau sur la gâchette pour quitter le mode « Réglages » et sauvegarder votre sélection.

Nettoyage

Ne jamais immerger le thermomètre infrarouge RIDGID micro IR-200 dans l'eau. Essayez-le à l'aide d'un chiffon doux humecté. Ne pas utiliser de produits de nettoyage abrasifs. Traitez l'instrument comme s'il s'agissait d'un télescope ou d'un appareil photo.

Stockage

Le thermomètre infrarouge RIDGID micro IR-200 doit être remis dans un lieu sec et sécurisé, et à une température ambiante située entre -10°C (14°F) et 60°C (140°F).

Rangez l'instrument dans un endroit sécurisé, hors de la portée des enfants et de tout individu étranger au fonctionnement du micro IR-200.

Afin de parer aux fuites éventuelles, retirez les piles de l'instrument avant son expédition ou son stockage prolongé.

Révisions et réparations

⚠ AVERTISSEMENT

La sécurité d'emploi du RIDGID micro IR-200 dépend d'un entretien approprié.

Toute révision ou réparation du micro IR-200 doit être confiée à un réparateur RIDGID agréé.

Pour obtenir les coordonnées du réparateur RIDGID agréé le plus proche ou pour toutes questions visant l'entretien et la réparation de l'instrument :

- Consultez votre distributeur RIDGID.
- Consultez les sites RIDGID.com pour localiser le représentant Ridge Tool le plus proche.
- Consultez les services techniques de Ridge Tool par mail adressé à rtctechservices@emerson.com, ou, à partir des Etats-Unis et du Canada, en composant le (800)519-3456.

Recyclage de l'instrument

Certains composants du thermomètre infrarouge RIDGID micro IR-200 contiennent des matières de valeur susceptibles d'être recyclées. Il se peut que certaines des entreprises de recyclage concernées se trouvent localement. Disposez de ces composants selon la réglementation en vigueur. Pour de plus amples renseignements, consultez votre centre de recyclage local.



A l'attention des pays de la CE : Ne pas jeter les composants électriques à la poubelle !

Selon la norme européenne 2012/19/UE visant les déchets de matériel électrique et électronique et son application vis-à-vis de la législation nationale, tout matériel électrique non utilisable doit être collecté à part et recyclé d'une manière écologiquement responsable.

Recyclage des piles

Pays de la CE : Les piles défectueuses ou hors d'usage doivent être recyclées selon la norme 2012/19/UE.

micro IR-200

Termómetro infrarrojo sin contacto micro IR-200



⚠ ADVERTENCIA

Antes de utilizar este aparato, lea detenidamente su Manual del Operario. Pueden ocurrir descargas eléctricas, incendios y/o graves lesiones si no se comprenden y siguen las instrucciones de este manual.

Termómetro infrarrojo sin contacto micro IR-200

Apunte aquí el número de serie del aparato ubicado en su placa de características.

No. de
serie

Índice

Ficha para apuntar el Número de Serie del aparato	27	Empleo de los botones del Menú	38
Simbología de seguridad	29	Alarma Alta	38
Normas de seguridad general		Alarma Baja	39
Seguridad en la zona de trabajo	30	Escalas de medición térmica: °C ó °F	39
Seguridad eléctrica.....	30	Emisividad	39
Seguridad personal	30	Limpieza	39
Uso y cuidado del equipo	30	Almacenamiento	39
Servicio.....	31	Servicio y reparaciones	39
Normas de seguridad específica		Eliminación del aparato	40
Seguridad del Termómetro infrarrojo	31	Eliminación de la pila	40
Descripción, especificaciones y equipo estándar		Declaración de conformidad de la Comunidad Europea	Interior de la carátula posterior
Descripción.....	31	Garantía vitalicia	carátula posterior
Especificaciones	32		
Piezas y partes	33		
Íconos en la pantalla LCD	34		
Equipo estándar	34		
Clasificación del láser	34		
Declaración de la FCC	34		
Compatibilidad electromagnética (CEM)	35		
Reemplazo o instalación de la pila	35		
Inspección previa al funcionamiento	35		
Preparativos y funcionamiento			
Preparativos.....	36		
Funcionamiento			
Encendido y apagado (toma de temperaturas)	37		
Mandos del micro IR-200			
Modalidad de medición continua (escanear).....	38		
Láser activado/desactivado	38		
Alumbrado de fondo de la pantalla	38		

*Instrucciones originales en inglés

Simbología de seguridad

En este manual del operario y en el aparato mismo encontrará símbolos y palabras de advertencia que comunican información de seguridad importante. En esta sección se explica el significado de estos símbolos.



Este es el símbolo de una alerta de seguridad. Sirve para prevenir al operario de las lesiones corporales que podría sufrir. Obedezca todas las instrucciones que acompañan a este símbolo de alerta para evitar lesiones o muertes.



Este símbolo de PELIGRO advierte de una situación de riesgo o peligro que, si no se evita, podría ocasionar muertes o graves lesiones.



Este símbolo de ADVERTENCIA advierte de una situación de riesgo o peligro que, si no se evita, podría ocasionar la muerte o lesiones graves.



Este símbolo de CUIDADO advierte de una situación de riesgo o peligro que, si no se evita, podría ocasionar lesiones leves o moderadas.



Un AVISO advierte de la existencia de información relacionada con la protección de un bien o propiedad.



Este símbolo significa que, antes de usar el aparato, es indispensable leer detenidamente su manual del operario. El manual del aparato contiene importante información acerca del funcionamiento apropiado y seguro del equipo.



Este símbolo señala que este dispositivo contiene un láser clase 2.



Este símbolo señala que no se debe fijar la vista en el rayo láser.



Este símbolo advierte de la presencia y peligrosidad de un rayo láser.

Normas de seguridad general

⚠ ADVERTENCIA

Lea todas estas advertencias e instrucciones. Pueden ocurrir golpes eléctricos, incendios y/o lesiones corporales graves si no se siguen todas las instrucciones y respetan las advertencias detalladas a continuación.

¡GUARDE ESTAS INSTRUCCIONES!

Seguridad en la zona de trabajo

- Mantenga su zona de trabajo ordenada, limpia y bien iluminada. Las áreas oscuras o atestadas de cosas provocan accidentes.
- No haga funcionar este aparato en presencia de combustibles tales como líquidos, gases o polvo inflamables. Este aparato puede generar chispas, las que podrían inflamar el polvo o las emanaciones combustibles.
- Mientras haga funcionar este aparato, mantenga apartados a niños y espectadores. Cualquier distracción puede hacerle perder el control del aparato.

Seguridad eléctrica

- Evite el contacto de su cuerpo con artefactos conectados a tierra tales como cañerías, radiadores, estufas o cocinas y refrigeradores. Aumenta el riesgo de que se produzca un choque eléctrico cuando su cuerpo ofrece conducción a tierra.
- No exponga este aparato a la lluvia o a la humedad. Si al dispositivo le entra agua, aumenta el riesgo de que ocurran descargas eléctricas.

Seguridad personal

- Manténgase alerta, preste atención a lo que está haciendo y use sentido común cuando haga funcionar este aparato. No

lo use si está cansado o se encuentra bajo la influencia de drogas, alcohol o medicamentos. Sólo un breve descuido mientras hace funcionar el aparato puede ocasionar lesiones personales graves.

- Use el equipo de protección personal que corresponda. Siempre use protección para sus ojos. Al usar mascarilla para el polvo, calzado de seguridad antideslizante, casco duro o protección para los oídos, según las circunstancias, usted evitará lesionarse.
- No extienda su cuerpo para alcanzar algo. Mantenga sus pies firmes en tierra y un buen equilibrio en todo momento. Así se ejerce mejor control sobre el aparato en situaciones inesperadas.

Uso y cuidado del equipo

- No fuerce el aparato. Use el equipo apropiado para la tarea que realizará. El aparato adecuado hará el trabajo mejor y de manera más segura, al ritmo para el cual fue diseñado.
- Si el interruptor del aparato no lo enciende o no lo apaga, no lo haga funcionar. Cualquier aparato que no pueda ser controlado mediante su interruptor es peligroso y debe ser reparado.
- Extráigale la pila al aparato antes de efectuarle ajustes, de cambiarle accesorios o de guardarlo. Esta medida preventiva evita accidentes.
- Almacene los aparatos que no estén en uso fuera del alcance de niños y no permita que los hagan funcionar personas sin capacitación o que no hayan leído estas instrucciones. Cualquier aparato es peligroso en manos de inexpertos.
- Hágale buen mantenimiento a este aparato. Revísele sus piezas móviles por si están desalineadas o agarrotadas. Cerciórese de que no tenga piezas quebradas y que no existen condiciones que puedan afectar su buen funcionamiento. Si está

dañado, antes de usarlo, hágalo componer. Los equipos en malas condiciones causan accidentes.

- **Utilice este dispositivo y sus accesorios en conformidad con estas instrucciones, teniendo en cuenta las condiciones imperantes y las tareas que realizará.** Cuando se emplea un equipo para efectuar operaciones que no le son propias, se crean situaciones peligrosas.
- **Con este aparato, utilice únicamente los accesorios recomendados por su fabricante.** Los accesorios aptos para usarse con un aparato determinado pueden resultar peligrosos si se utilizan con otros aparatos diferentes.
- **Mantenga los mangos y mandos del aparato limpios y secos, libres de aceite y grasa.** Así se ejerce un mejor control sobre el aparato.

Servicio

- **El servicio del aparato debe encomendarse únicamente a un técnico calificado que emplea repuestos idénticos.** Así se garantiza la continua seguridad del aparato.

Normas de seguridad específica

⚠ ADVERTENCIA

Esta sección entrega información de seguridad específica para esta herramienta.

Antes de usar este Termómetro infrarrojo sin contacto micro IR-200, lea estas precauciones detenidamente para evitar lesiones oculares y otras de carácter grave.

¡GUARDE ESTAS INSTRUCCIONES!

Mantenga este manual junto al aparato, a la mano del operario.

Seguridad del Termómetro infrarrojo

- **No mire el rayo láser.** Le hará mal a sus ojos. Tampoco mire el rayo láser con aparatos ópticos como binoculares o telescopios.
- **No dirija el rayo láser hacia los demás.** Asegure que el rayo láser se apunte por encima o por debajo del nivel de los ojos. Los rayos láser pueden ser dañinos para los ojos.
- **Jamás use este aparato para realizar una inspección corporal o médica.** Éste no es un instrumento médico y podría causar lesiones.
- **Tome las precauciones pertinentes cuando vaya a trabajar cerca de objetos eléctricos, en movimiento o calientes.** La cercanía a uno de ellos podría causar descargas eléctricas, enganches, quemaduras y otras lesiones graves. Es posible que necesite vestir equipos de seguridad personal.

⚠ CUIDADO El uso de controles o ajustes o procedimientos diferentes a los que se especifican en este manual podría llevar a una exposición peligrosa a la radiación.

Si tiene cualquier pregunta acerca de este producto de Ridge Tool:

- Contacte al distribuidor de RIDGID en su localidad.
- Por internet visite el sitio www.RIDGID.com para averiguar dónde se encuentran los centros autorizados de Ridge Tool más cercanos.
- Llame al Departamento de Servicio Técnico de Ridge Tool desde EE.UU. o Canadá al (800) 519-3456 o escriba a rttechservices@emerson.com.

Descripción, especificaciones y equipo estándar

Descripción

El Termómetro infrarrojo sin contacto micro IR-200 de RIDGID® en-

trega, con sólo pulsarle un botón, lecturas rápidas y precisas de la temperatura que tiene la superficie de un objeto. Usted simplemente aprieta el gatillo del aparato y apunta los dos intensos láseres clase II hacia la superficie a la cual se desea tomarle la temperatura. El micro IR-200 entrega de inmediato la medición de la temperatura en su nítida pantalla LCD. Este instrumento compacto y robusto, además de servir para otras múltiples aplicaciones, permite a técnicos en reparaciones diagnosticar problemas de calefacción y ventilación, realizar revisiones preventivas de motores y sistemas eléctricos, detectar averías en trampas de vapor, e inspeccionar rápidamente fusibles e interruptores de circuito por si se están recalentando, sin necesidad de tocar con sus manos superficie alguna.

El micro IR-200 utiliza la óptica para detectar la energía siendo emitida, reflejada o transmitida, la cual capta y enfoca hacia un detector. El sistema electrónico del aparato traduce los datos y los entrega en la pantalla en grados de temperatura. Los haces lásericos cumplen la función de apuntar.

Especificaciones

Límites de temperatura.....	-58°F a 2192°F (-50°C a 1200°C)
Cociente distancia-objetivo.....	30 a 1
Exactitud de medición.....	-50°C ~20°C (-58°F ~68°F) : ± 2,5°C (4,5°F) 620°C ~800°C (68°F ~1472°F) ± 1,0% ±1°C (1,8°F)
Reproducibilidad.....	-50°C ~20°C (-58°F ~68°F) : ±1,3°C (2,3°F) 68°F ~1472°F (20°C ~800°C) ±0,5% ó ± 0,5°C (0,9°F)
Tiempo de respuesta.....	150 ms
Respuesta espectral.....	8~14um

Emisividad.....	Ajustable: 0,10 a 1,00
Indicación de superposición de gamas.....	pantalla LCD mostrará "----"
Láser diódico.....	Salida <1mW, longitud de onda 630~670nm, producto láser clase 2
Visualización de la temperatura.....	última temperatura, temperatura MAX
Unidades de medición.....	en °Celsius o °Fahrenheit
Temperatura de funcionamiento.....	0 a 50°C (32 a 122°F)
Temperatura de almacenamiento.....	-10 a 60°C (14 a 140°F)
Resolución del display.....	0,1°C (0,1°F)
Humedad relativa.....	en funciones 10%~90%, almacenado <80%
Pila.....	(1) de 9V, NEDA 1604A ó IEC 6LR61, ó equivalente
Protección contra polvo.....	hasta 54 IP
Peso.....	0.3 Kg. (0,6 lbs.)

Características

- Función de detección rápida
- Avistamiento de doble láser Clase II
- Sujeción automática de los datos
- Visualización de temperaturas MAX
- Mediciones precisas sin contacto
- Distancia de selección y resolución de pantalla automáticas de 0,1°C (0,1°F)
- Pantalla de cristal líquido (LCD) con alumbrado de fondo
- Traba para el gatillo
- Alarmas de alta y baja establecidas
- Emisividad ajustable



Figura 1 – Termómetro infrarrojo sin contacto micro IR-200

Piezas



Figura 2 – Piezas del micro IR-200



Íconos en la pantalla

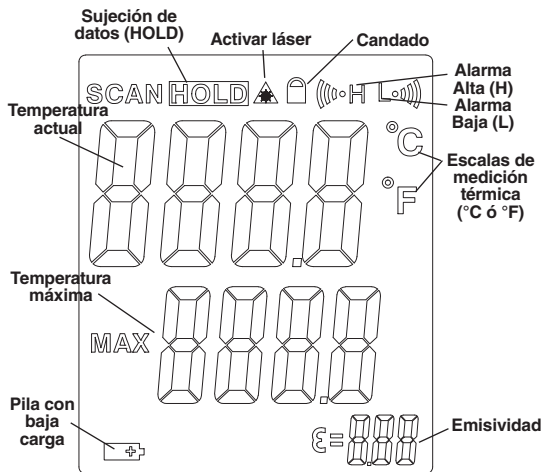


Figura 3 – Íconos en la pantalla del micro IR-200

Equipo estándar

- micro IR-200
- Estuche del aparato
- Pila de 9V (1)
- Manual del operario

AVISO Este aparato sirve para medir temperaturas. Su aplicación o uso incorrecto puede ocasionar mediciones inexactas o erróneas. Es responsabilidad del usuario seleccionar los métodos adecuados de medición según las condiciones imperantes.

Clasificación del láser



El micro IR-200 de RIDGID genera haces lásericos visibles emitidos desde la parte delantera del aparato.

El dispositivo cumple con las normas de láseres clase 2 en concordancia con: IEC 60825-1:2007

Declaración de la FCC

Este aparato ha sido sometido a pruebas y se encuentra dentro de los parámetros exigidos a un dispositivo digital de Clase B, de conformidad con el apartado 15 de las Normas de la agencia federal FCC. Estos límites otorgan una protección razonable contra interferencias perjudiciales en una instalación residencial.

Este aparato genera, utiliza y puede irradiar energía de radiofrecuencia y, si no se instala y utiliza de acuerdo con las instrucciones, puede causar interferencias perjudiciales a las comunicaciones de radio.

Sin embargo, no puede garantizarse que no ocurrirán interferencias en una determinada instalación.

Si este aparato llegara a causar interferencias dañinas sobre la recepción de señales de radio o televisión, las que pueden detectarse apagando y preñdiendo el aparato, el usuario debe intentar eliminar la interferencia tomando una o más de las siguientes medidas:

- Reorientar o reubicar la antena receptora.
- Aumentar la distancia entre el equipo y el receptor.
- Consultar al distribuidor o a un técnico de radio y televisión para obtener ayuda.

Compatibilidad electromagnética (CEM)


Se entiende por compatibilidad electromagnética la capacidad del producto para funcionar sin problemas en un entorno donde existen radiación electromagnética y descargas electrostáticas, sin causarle interferencia electromagnética a otros equipos.

AVISO El micro IR-200 RIDGID cumple con todas las normas CEM pertinentes. Sin embargo, no se puede descartar del todo la posibilidad de que cause interferencias en otros dispositivos.



Figura 4 – Extracción del compartimiento de la pila

Reemplazo o instalación de la pila

El micro IR-200 se suministra con una pila instalada. Si el indicador del nivel de carga de la pila (Figura 3) muestra , se necesita reemplazar la pila. Extráigale la pila antes de almacenar el aparato por un período prolongado, para evitar que la pila tenga fugas.

1. Apriete los clips en el cabezal del portapila y extráigalo del aparato (vea la Figura 4). Extraiga la pila que tiene dentro.

2. Instale una nueva pila alcalina de 9V (6LR61), fijándose bien en la polaridad indicada en el portapila.



Figura 5 – Portapila y marcas de polaridad

3. Apriete los clips en el cabezal del portapila e introdúzcalo en el aparato. El portapila entra en el compartimiento de pila de una sola manera. No lo fuerce. Revise que quedó bien asentado.

Inspección previa al funcionamiento

⚠ ADVERTENCIA

Antes de cada uso, inspeccione el Termómetro infrarrojo y solucione cualquier problema que pudiera ocasionar lesiones o lecturas erróneas.

No mire el rayo láser directamente. Esto es peligroso para sus ojos.

1. Quite el aceite, grasa o mugre del aparato para facilitar su inspección.
2. Revise el Termómetro micro IR-200 para asegurar que no le faltan piezas, no tiene partes quebradas, desgastadas, desalineadas o trabadas, o por si existe cualquiera otra condición que pueda afectar su funcionamiento normal y seguro.

3. Revise que las etiquetas de advertencias estén bien pegadas al aparato y legibles. (Vea la Figura 6).
4. Si detecta cualquier problema, no use el Termómetro infrarrojo hasta que no haya sido debidamente reparado.
5. Siguiendo las instrucciones de *Funcionamiento* del aparato, enciéndalo, efectúe una medición y confirme esta misma medida con otro instrumento (termómetro de contacto u otro). Si las mediciones no guardan correlación entre ellas, no utilice el Termómetro infrarrojo hasta que haya sido reparado.



Figura 6 – Etiquetas de advertencias

Preparativos y funcionamiento

⚠ ADVERTENCIA



No mire el haz láser directamente, puede herir sus ojos. Nunca mire un rayo láser con aparatos ópticos como anteojos de larga vista o telescopios.

No dirija el haz láserico hacia los demás. Asegure que el rayo láser se apunte por encima o por debajo del nivel de sus ojos. Los rayos láser pueden ser peligrosos para los ojos.

Tome las precauciones pertinentes cuando vaya a trabajar cerca de objetos eléctricos, en movimiento o calientes. La cercanía a uno de éstos podría causar descargas eléctricas, enganches, quemaduras y otras lesiones graves. Es posible que necesite vestir equipos de seguridad personal.

Prepare y haga funcionar el Termómetro infrarrojo de acuerdo a los siguientes procedimientos, con el fin de prevenir lesiones y mediciones incorrectas.

Preparativos

1. Busque situarse en una zona apropiada, como se indica en la sección *Normas de seguridad general*.
2. Revise el objetivo cuya temperatura medirá y cerciórese de que usted dispone del equipo correcto para efectuar esta tarea. Consulte la sección *Especificaciones* para verificar el alcance, precisión y otras características de este instrumento.

Una serie de factores podrían afectar la precisión de las mediciones del micro IR-200, entre ellos:

Campo visual: El micro IR-200 emplea dos láseres para apuntar hacia ambos lados de la zona que se medirá. Estos puntos indican el diámetro aproximado del área (el "Sitio") en la que se medirá la temperatura. A medida que el micro IR-200 se aleja (D) de la superficie, el tamaño de esta área y del sitio (S) aumenta. El área es aproximadamente 0,05 veces la distancia hasta la superficie (Figura 7).

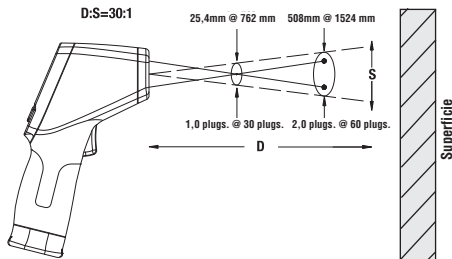


Figura 7 – Campo visual

El Sitio debe ser siempre más pequeño que la superficie. Mientras más reducida la superficie, más cerca debería estar el micro IR-200 de la superficie. Para obtener la mayor precisión, la superficie debe ser dos veces más amplia que el Sitio.

Emisividad: La emisividad describe las características de emisión de energía de los materiales. Su valor es de 0 a 1. El aparato micro IR-200 permite ajustar el valor de la emisividad entre 0,10 y 1,00 para calcular la temperatura. Si no se conocen las propiedades de emisividad de una superficie, el valor de 0,95 puede ser apropiado para muchos materiales, tales como superficies pintadas. Los valores de emisividad para materiales comunes se presentan en la *Figura 8*.

Material	Emisividad	Material	Emisividad
Aluminio pulido	0,05	Pintura	0,95
Asfalto	0,88	Papel blanco	0,90
Ladrillo	0,90	Revoque o yeso, sin pulir	0,89
Concreto, sin pulir	0,91	Caucho	0,93
Cobre pulido	0,04	Acero galvanizado	0,28
Vidrio	0,95	Acero oxidado	0,88
Piedra caliza	0,92	Agua	0,96
Mármol pulido	0,90		

Figura 8 – Valores de emisividad de materiales comunes

Temperatura: Si bien el micro IR-200 compensa las variaciones a partir de la temperatura ambiente, los cambios significativos en las temperaturas ambiente y en las medidas pueden reducir la exactitud. Cuando ocurran cambios de gran magnitud en la temperatura ambiente (más de 17°C ó 30°F), espere 15 minutos para que el micro IR-200 efectúe los ajustes necesarios para mejorar su exactitud.

Obstrucciones: El vapor, polvo, humo u otras obstrucciones -como el vidrio o el plástico- que se encuentren entre el micro IR-200 y la superficie que se está midiendo, pueden hacer disminuir la exactitud. Éstos obstruyen la óptica del aparato o dan lecturas falsas (se mide la temperatura del vidrio en vez de la superficie). No utilice el aparato si hay obstrucciones presentes.

3. Asegure que el aparato ha sido revisado correctamente.

Funcionamiento

Encendido y apagado (toma de temperaturas)

1. Tome el micro IR-200 por su empuñadura y apúntelo hacia la superficie cuya temperatura desea medir. Apártese de objetos eléctricos, móviles o calientes. Antes de encender y apuntar el aparato en la dirección deseada, asegure que no se encuentre nadie en la trayectoria del haz láserico.
2. Apriete el gatillo para encender el micro IR-200. Cuando se apriete el gatillo, el ícono de SCAN estará encendido y el micro IR-200 irá actualizando continuamente los grados de la temperatura actual en la pantalla. Asimismo, debajo de estos valores térmicos “en curso”, aparecerá en la pantalla -junto al símbolo MAX- la temperatura máxima medida desde que se encendió el aparato.

Es posible mover el micro IR-200 lentamente por sobre la superficie para localizar zonas calientes o frescas. *Vea las secciones de Alarma Alta y Alarma Baja* para saber regularlas.

3. Cuando se suelte el gatillo, el ícono de HOLD (Sujeción de datos) estará encendido. El micro IR-200 se apagará automáticamente en un lapso de siete segundos, salvo que el aparato se encuentre en la modalidad de Medición continua.

Mandos del micro IR-200



Figura 8 – Botones de ajuste de la pantalla del micro IR-200

Modalidad de medición continua (escanear)

El micro IR-200 se le puede “trabar” para que efectúe mediciones sin que haya que mantener el dedo cargado en su gatillo. Nuevamente fíjese, antes de encender el aparato, en que el rayo láser no vaya a apuntar en dirección a algún transeúnte. Apriete el gatillo y manténgalo oprimido para encender el micro IR-200. Mientras lo mantiene apretado, oprima y suelte el botón de Menú. Verá encendidos los iconos de SCAN y del candado (cerrado). Suelte el gatillo

y el micro IR-200 irá mostrando continuamente las temperaturas que ha ido midiendo hasta que al gatillo se le vuelva a apretar y soltar.

Láser activado/desactivado

Para conservar la carga de la pila, pueden apagarse los láseres, empleados para apuntar. Pero si se apagan, debe tenerse especial cuidado al apuntar el micro IR-200 con el fin de lograr buenas mediciones. Para activar o desactivar los haces lásericos, mientras aprieta el gatillo, oprima y suelte el botón de Activar el láser. El ícono de láser activado aparecerá encendido en la pantalla.

Alumbrado de fondo de la pantalla

Si utilizará el IR-200 en una zona oscura, su pantalla cuenta con alumbrado de fondo. Para encenderlo o apagarlo, estando el aparato encendido, oprima el botón del alumbrado de fondo.

Funciones del botón de Menú

Habiendo apretado el gatillo, oprima y suelte el botón de Menú: éste le permite recorrer las siguientes posiciones, en este orden: ON/OFF de la Alarma Alta, valor térmico fijado para Alarma Alta, ON/OFF de la Alarma Baja, valor térmico fijado para Alarma Baja, escala térmica deseada, Emisividad.

Alarma Alta

La Alarma Alta sonará cuando la temperatura del momento o actual excede el límite predeterminado. Para encender la Alarma Alta apriete y suelte el gatillo; luego oprima y suelte el botón de Menú hasta que el ícono de la Alarma Alta parpadee. Emplee los botones de flecha ascendente y descendente para encender o apagar la Alarma Alta lo cual va siendo indicado en la línea de la temperatura actual. De nuevo oprima y suelte el botón de Menú. El ícono de Alarma Alta continuará parpadeando y aparecerá la temperatura de Alarma Alta que había sido fijada anteriormente. Utilice los

botones de flecha ascendente y descendente para cambiar la temperatura de Alarma Alta por la que usted desee. Apriete el gatillo para salir de la modalidad de configuración y guardar su selección.

Alarma Baja

La Alarma Baja sonará cuando la temperatura del momento o actual es inferior al límite predeterminado. Para encender la Alarma Baja apriete y suelte el gatillo; luego oprima y suelte el botón de Menú hasta que el ícono de la Alarma Baja parpadee. Emplee los botones de flecha ascendente y descendente para encender o apagar la Alarma Baja como se indica en la línea de la temperatura actual. De nuevo oprima y suelte el botón de Menú. El ícono de Alarma Baja continuará parpadeando y aparecerá la temperatura anteriormente fijada de Alarma Baja. Utilice los botones de flecha ascendente y descendente para cambiar la temperatura de Alarma Baja por otra que usted prefiera. Apriete el gatillo para salir de la modalidad de configuración y guardar su selección.

Escalas de medición térmica: °C ó °F

El micro IR-200 puede mostrar temperaturas ya sea en grados Celsius (C) o Fahrenheit (F). Para cambiar la escala que se muestra en pantalla, apriete y suelte el gatillo; luego pulse y suelte el botón de Menú hasta que la escala de medición térmica deseada parpadee en la pantalla. Utilice los botones de flecha ascendente y descendente para cambiar entre °C y °F. Apriete el gatillo para salir de la modalidad de configuración y guardar su selección.

Emisividad

El valor de la emisividad puede fijarse entre 0,10 y 1,00. Vea la sección Preparativos para determinar el valor apropiado para su tarea. Para ajustar el valor, apriete y suelte el gatillo, luego oprima y suelte el botón de menú hasta que parpadee el valor de emisividad en la pantalla. Use los botones de flecha ascendente y descendente para

augmentar o disminuir el valor de emisividad. Apriete el gatillo para salir de la modalidad de configuración y guardar su selección.

Limpieza

No sumerja el Termómetro infrarrojo sin contacto micro IR-200 de RIDGID en agua. Quítele la mugre con un paño húmedo suave. No emplee agentes de limpieza fuertes ni disolventes. Cuide este instrumento como si fuese un telescopio o cámara.

Almacenamiento

Guarde el Termómetro infrarrojo micro IR-200 de RIDGID en un lugar seguro y seco a temperaturas entre -10 a 60°C (14 a 140°F). Almacénelo bajo llave fuera del alcance de niños y personas que no saben usarlo.

Extráigale su pila si lo va a guardar por un período prolongado de tiempo o lo va a enviar por encomienda. La pila puede perder líquido.

Servicio y reparaciones

⚠ ADVERTENCIA

El Termómetro infrarrojo sin contacto micro IR-200 de RIDGID puede tornarse inseguro si se le repara o mantiene incorrectamente.

El servicio y reparaciones del micro IR-200 deben confiarse únicamente a un Servicentro Independiente Autorizado de RIDGID.

Para obtener información acerca del Servicentro Independiente Autorizado RIDGID más cercano a su localidad o consultar sobre el servicio o reparación de este aparato:

- Contacte al distribuidor RIDGID en su localidad.
- Visite RIDGID.com para encontrar su contacto RIDGID más cercano.

- Llame al Departamento de Servicio Técnico de Ridge Tool desde EE.UU. o Canadá al (800) 519-3456 o escriba a rttechservices@emerson.com.

Eliminación del aparato

Piezas y partes del Termómetro infrarrojo sin contacto micro IR-200 de RIDGID están fabricadas de materiales de valor, posibles de reciclar. Averigüe cuáles empresas se especializan en reciclaje en su localidad. Deseche el aparato o sus componentes cumpliendo con todas y cada una de las disposiciones vigentes en su jurisdicción. Para mayor información, llame a la agencia local encargada de la eliminación de residuos sólidos.



En los países miembros de la Comunidad Europea (CE): ¡No se deshaga de equipos eléctricos junto con la basura doméstica!

Según la directriz de la Comunidad Europea 2012/19/EU, impartida a sus países miembros sobre desechos eléctricos y electrónicos, los equipos eléctricos inutilizables deben ser recolectados en forma separada de la basura municipal y eliminados sin causar daños al medio ambiente.

Eliminación de la pila

En la CE: Las pilas usadas o defectuosas deben reciclarse conforme a la directriz 2012/19/EU.

micro IR-200

micro IR-200 Kontaktloses Infrarotthermometer



⚠️ WARNUNG

Lesen Sie diese Bedienungsanleitung sorgfältig, bevor Sie dieses Gerät benutzen. Unkenntnis und Nichtbefolgung des Inhalts dieser Anleitung können zu elektrischen Schlägen, Feuer und/oder schweren Verletzungen führen.

micro IR-200 Kontaktloses Infrarotthermometer

Notieren Sie unten die Seriennummer und bewahren Sie diese auf. Sie finden die Produkt-Seriennummer auf dem Typenschild.

Serien-
nr.

Inhaltsverzeichnis

Formular zum Festhalten der Geräteseriennummer	41
Sicherheitssymbole	43
Allgemeine Sicherheitsregeln	44
Sicherheit im Arbeitsbereich.....	44
Elektrische Sicherheit.....	44
Sicherheit von Personen.....	44
Sachgemäßer Umgang mit dem Gerät.....	44
Wartung.....	45
Spezielle Sicherheitshinweise	45
Sicherheitshinweise für Infrarotthermometer.....	45
Beschreibung, technische Daten und Standardausstattung	45
Beschreibung.....	45
Technische Beschreibung.....	46
Teile.....	47
Symbole LCD-Display.....	47
Standardausstattung.....	47
Laser-Klassifizierung	48
FCC-Erklärung	48
Elektromagnetische Verträglichkeit (EMV)	48
Wechseln/Einlegen der Batterien	48
Kontrolle vor dem Betrieb	49
Vorbereitung und Betrieb	50
Setup.....	50
Betrieb	51
Ein- und Ausschalten (Messungen durchführen).....	51
micro IR-200 Bedienelemente	51
Dauermessmodus (Scannen).....	52
Laser aktiviert/deaktiviert.....	52
Hintergrundbeleuchtung.....	52

Benutzung der Menütaste.....	52
Alarm bei hohen Temperaturen.....	52
Alarm bei niedrigen Temperaturen.....	52
Temperaturanzeigeeinheiten - °C/°F.....	52
Emissionsgrad.....	53
Reinigung	53
Aufbewahrung	53
Wartung und Reparatur	53
Entsorgung	53
Entsorgung von Akkus	54
EG-Konformitätserklärung	Hintere Umschlagseite
Garantie	Rückseite

* Übersetzung der Originalbetriebsanleitung

Sicherheitssymbole

Wichtige Sicherheitshinweise werden in dieser Bedienungsanleitung und auf dem Produkt mit bestimmten Sicherheitssymbolen und Warnungen gekennzeichnet. Dieser Abschnitt enthält Erläuterungen zu diesen Warnhinweisen und Symbolen.



Dies ist das allgemeine Gefahren-Symbol. Es weist auf mögliche Verletzungsgefahren hin. Beachten Sie alle Hinweise mit diesem Symbol, um Verletzungs- oder Lebensgefahr zu vermeiden.

GEFAHR

GEFAHR weist auf eine gefährliche Situation hin, die ohne entsprechende Sicherheitsvorkehrungen zu Lebensgefahr oder schweren Verletzungen führt.

WARNUNG

WARNUNG weist auf eine gefährliche Situation hin, die ohne entsprechende Sicherheitsvorkehrungen zu Lebensgefahr oder schweren Verletzungen führen kann.

ACHTUNG

ACHTUNG weist auf eine gefährliche Situation hin, die ohne entsprechende Sicherheitsvorkehrungen zu kleineren bis mittelschweren Verletzungen führen kann.

HINWEIS

HINWEIS kennzeichnet Informationen, die sich auf den Schutz des Eigentums beziehen.



Dieses Symbol bedeutet, dass die Bedienungsanleitung sorgfältig durchzulesen ist, bevor das Gerät in Betrieb genommen wird. Die Bedienungsanleitung enthält wichtige Informationen für den sicheren, ordnungsgemäßen Gebrauch des Geräts.



Dieses Symbol bedeutet, dass dieses Gerät einen Klasse-2-Laser enthält.



Dieses Symbol bedeutet, dass man nicht direkt in den Laserstrahl blicken darf.



Dieses Symbol macht auf Vorhandensein und Gefahren eines Laserstrahls aufmerksam.

Allgemeine Sicherheitsregeln

⚠️ WARNUNG

Lesen Sie alle Sicherheitshinweise und Anweisungen in dieser Betriebsanleitung. Die Nichtbeachtung der nachstehend aufgeführten Warnhinweise und Anweisungen kann zu Stromschlag, Brand und/oder schweren Verletzungen führen.

BEWAHREN SIE DIESE ANLEITUNG AUF!

Die EG-Konformitätserklärung (890-011-320.10) kann diesem Handbuch auf Wunsch als separates Heft beigelegt werden.

Sicherheit im Arbeitsbereich

- **Halten Sie Ihren Arbeitsbereich sauber, und sorgen Sie für eine gute Beleuchtung.** Unaufgeräumte und unzureichend beleuchtete Arbeitsbereiche erhöhen das Unfallrisiko.
- **Betreiben Sie das Gerät nicht in Umgebungen mit erhöhter Explosionsgefahr, in denen sich leicht entflammare Flüssigkeiten, Gase oder Staub befinden.** Das Gerät kann im Betrieb Funken erzeugen, durch die sich Staub oder Dämpfe leicht entzünden können.
- **Sorgen Sie beim Betrieb des Geräts dafür, dass sich keine Kinder oder sonstige Unbeteiligte in dessen Nähe befinden.** Bei Ablenkungen kann die Kontrolle über das Gerät verloren gehen.

Elektrische Sicherheit

- **Vermeiden Sie Körperkontakt mit geerdeten Oberflächen, wie Rohren, Heizungen, Herden und Kühlschränken.** Es besteht eine erhöhte Stromschlaggefahr, wenn Ihr Körper geerdet ist.
- **Halten Sie das Gerät von Regen und Nässe fern.** Wenn Wasser in das Gerät eindringt, erhöht sich das Risiko eines Stromschlags.

Sicherheit von Personen

- **Seien Sie beim Betrieb des Geräts immer aufmerksam und verantwortungsbewusst. Verwenden Sie das Gerät nicht, wenn Sie ermüdet sind oder unter Einfluss von Drogen, Alkohol oder**

Medikamenten. Durch einen kurzen Moment der Unaufmerksamkeit können Sie sich selbst oder anderen erhebliche Verletzungen zufügen.

- **Tragen Sie persönliche Schutzausrüstung.** Tragen Sie immer einen Augenschutz. Das Tragen einer Schutzausrüstung, wie Staubmaske, rutschfeste Sicherheitsschuhe, Schutzhelm oder Gehörschutz, verringert das Risiko von Verletzungen.
- **Lehnen Sie sich nicht zu weit in eine Richtung. Sorgen Sie stets für ein sicheres Gleichgewicht und einen festen Stand.** Dadurch können Sie das Gerät in unerwarteten Situationen besser kontrollieren.

Sachgemäßer Umgang mit dem Gerät

- **Überbeanspruchen Sie das Gerät nicht. Verwenden Sie immer ein für den Einsatzbereich geeignetes Gerät.** Mit dem richtigen Gerät können Sie Ihre Arbeit effektiver und sicherer ausführen.
- **Verwenden Sie das Gerät nicht, wenn es nicht über einen Schalter ein- und ausgeschaltet werden kann.** Ein Werkzeug, das sich nicht über einen Schalter ein- und ausschalten lässt, stellt eine Gefahrenquelle dar und muss repariert werden.
- **Entfernen Sie die Batterien aus dem Gerät, bevor Sie Einstellungen vornehmen, Zubehörteile wechseln oder das Gerät lagern.** Durch solche Vorsichtsmaßnahmen wird das Risiko von Verletzungen verringert.
- **Bewahren Sie unbenutzte Geräte außerhalb der Reichweite von Kindern auf, und lassen Sie Personen, die mit dem Gerät nicht vertraut sind oder diese Anweisungen nicht gelesen haben, das Gerät nicht benutzen.** Das Gerät kann gefährlich sein, wenn es von unerfahrenen Personen benutzt wird.
- **Das Gerät muss regelmäßig gewartet werden.** Stellen Sie sicher, dass sich alle beweglichen und festen Teile in der richtigen Position befinden, keine Teile fehlen oder gebrochen sind oder sonstige Fehler vorliegen, die die Funktion des Geräts beeinträchtigen können. Bei Beschädigungen muss das Gerät vor einer erneuten Verwendung zunächst repariert werden. Viele Unfälle werden durch schlecht gewartete Geräte verursacht.
- **Verwenden Sie das Gerät und Zubehör gemäß diesen Anweisungen und unter Berücksichtigung der Arbeitsbedingungen und der ausführenden Tätigkeit.** Wenn Geräte nicht vorschriftsmäßig verwen-

det werden, kann dies zu gefährlichen Situationen führen.

- **Verwenden Sie für das Gerät nur die vom Hersteller empfohlenen Zubehörteile.** Zubehörteile, die für ein Gerät passend sind, können beim Einsatz in einem anderen Gerät zu einer Gefahr werden.
- **Halten Sie die Griffe trocken, sauber und frei von Ölen und Fetten.** Dadurch können Sie das Gerät besser bedienen.

Wartung

- **Lassen Sie Ihr Gerät nur von qualifiziertem Fachpersonal und nur mit Original-Ersatzteilen reparieren.** Dadurch bleibt die Sicherheit des Werkzeugs gewährleistet.

Spezielle Sicherheitshinweise

⚠️ WARNUNG

Dieser Abschnitt enthält wichtige Sicherheitshinweise, die speziell für dieses Werkzeug gelten.

Lesen Sie diese Sicherheitshinweise sorgfältig, bevor Sie das RIDGID® micro IR-200 kontaktfreie Infrarotthermometer benutzen, um die Gefahr von Feuer, Explosion oder anderen schweren Verletzungen zu mindern.

BEWAHREN SIE DIESE ANLEITUNG AUF!

Bewahren Sie diese Bedienungsanleitung beim Gerät auf, damit sie dem Bediener jederzeit zur Verfügung steht.

Sicherheitshinweise für Infrarotthermometer

- **Blicken Sie nicht in den Laserstrahl.** In den Laserstrahl zu blicken, kann die Augen schädigen. Blicken Sie nicht mit optischen Hilfsmitteln (Fernglas oder Fernrohr) auf den Laserstrahl.
- **Richten Sie den Laserstrahl nicht auf andere Personen.** Vergewissern Sie sich, dass der Laser auf einen Punkt über oder unter Augenhöhe gerichtet wird. Laserstrahlen können schädlich für die Augen sein.
- **Verwenden Sie dieses Gerät nicht für die Untersuchung von Personen oder für medizinische Zwecke.** Dies ist kein medizinisches Gerät. Sie können dadurch Verletzungen verursachen.
- **Treffen Sie bei der Arbeit in der Nähe von elektrischen, bewegenden**

oder heißen Teilen entsprechende Vorsichtsmaßnahmen. Enger Kontakt kam zum Stromschlägen, Verfangen, Verbrennungen und anderen schweren Verletzungen führen. Eventuell ist Schutzausrüstung erforderlich.

⚠️ ACHTUNG Die Anwendung von Kontrollen oder Einstellungen oder die Durchführung von Verfahren, die nicht hierin angegeben sind, kann zu einer gefährlichen Strahlenexposition führen.

Wenn Sie Fragen zu diesem RIDGID® Produkt haben:

- Wenden Sie sich an Ihren örtlichen RIDGID Händler.
- Besuchen Sie RIDGID.com, um einen RIDGID Kontaktpunkt in Ihrer Nähe zu finden.
- Wenden Sie sich an die Abteilung Technischer Kundendienst von Ridge Tool unter rttechservices@emerson.com oder in den USA und Kanada telefonisch unter (800) 519-3456.

Beschreibung, technische Daten und Standardausstattung

Beschreibung

Der RIDGID® micro IR-200 kontaktfreie Infrarotthermometer ermöglicht auf Knopfdruck simple, schnelle und genaue Messungen der Oberflächentemperatur. Man betätigt einfach den Auslöser und richtet den scharfen Doppel-Laser der Klasse II auf die zu messende Oberfläche. Das micro IR-200 zeigt die gemessene Temperatur sofort auf einem gut ablesbaren LCD-Display mit Hintergrundbeleuchtung an. Neben zahlreichen anderen Einsatzmöglichkeiten bietet dieses robuste, kompakte Instrument dem Profi die Möglichkeit, Heizungs- und Lüftungsprobleme zu diagnostizieren, die vorbeugende Überwachung von Elektromotoren und Systemen durchzuführen, die Fehlersuche bei Kondensatsabscheidern vorzunehmen und Sicherungen oder Schutzschalter kontaktlos auf Überhitzung zu überprüfen. Das micro IR-200 arbeitet mit Optik, um abgestrahlte, reflektierte und übertragene Energie zu messen, die gesammelt und auf einen Detektor fokussiert wird. Die Elektronik des Geräts übersetzt die Informationen in einer Temperaturmessung, die angezeigt wird. Zur Unterstützung des Ziels werden Laser eingesetzt.

Technische Beschreibung

Temperaturbereich.....	-58°F bis 2192°F (-50°C bis 1200°C)
Verhältnis Distanz/Punkt.....	30 zu 1
Messgenauigkeit.....	-58°F ~68°F (50°C ~20°C): ±4.5°F (2,5°C) 68°F ~1472°F (20°C ~800°C) ±1,0% oder ± 1.8°F (1,0°C)
Wiederholbarkeit.....	-58°F ~68°F (50°C ~20°C): ±2.3°F (1,3°C) 68°F ~1472°F (20°C ~800°C) ±0,5% oder ± 0.9°F (0,5°C)
Reaktionszeit.....	150ms
Spektralreaktion.....	8~14um
Emissionsgrad.....	Einstellbar, 0,10 - 1,00
Anzeige bei Bereichsüberschreitung.....	LCD zeigt "----"
Diodenlaser.....	Leistung <1mW, Wellenlänge 630~670nm, Laserprodukt Klasse 2
Temperaturanzeige.....	Aktuelle Temperatur, MAX. Temperatur
Messeinheiten.....	Fahrenheit, Celsius
Betriebstemperatur.....	32°F bis 122°F (0°C bis 50°C)
Lagertemperatur.....	14°F bis 140°F (-10°C bis 60°C)
Anzeigeauflösung.....	0.1°F (0,1°C)
Relative Luftfeuchtigkeit.....	10%~90% relative Luftfeuchtigkeit Betrieb, <80% relative Luftfeuchtigkeit Lagerung
Batterien.....	9V Batterie (1), NEDA 1604A oder IEC 6LR61 oder gleichwertig
IP-Schutzklasse.....	IP54
Gewicht.....	0.6 lbs (0,3 kg)

Merkmale

- Schnellerkennungsfunktion
- Duales Klasse II Laser-Visier
- Automatische Datenerfassung
- Anzeige der Maximaltemperatur
- Präzise kontaktlose Messungen
- Automatischer Auswahlbereich und Anzeigeauflösung 0.1°F (0,1°C)
- LCD-Display mit Hintergrundbeleuchtung
- Auslösersperre
- Einstellung von Alarmen für zu hohe und zu niedrige Temperatur
- Einstellbarer Emissionsgrad

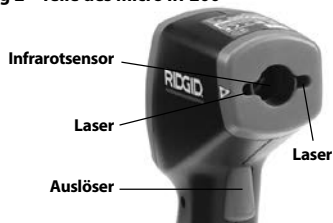


Abbildung 1 - micro IR-200 Kontaktloses Infrarotthermometer

Teile



Abbildung 2 – Teile des micro IR-200



Symbole LCD-Display

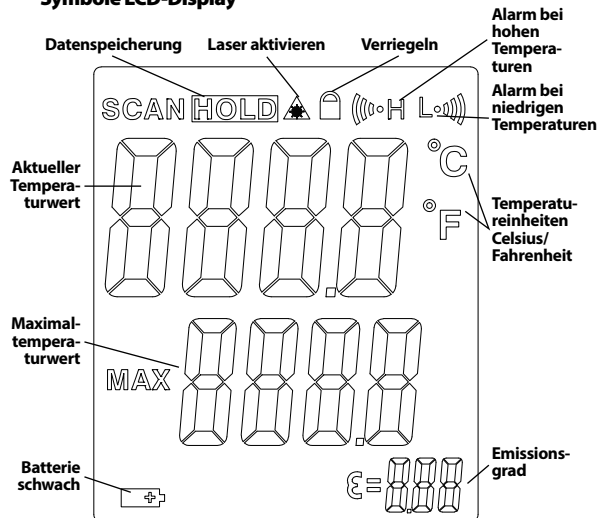


Abbildung 3 – Display-Symbole des micro IR-200

Standardausstattung

- micro IR-200
- Batterie 1 x 9V
- Transportkoffer
- Bedienungsanleitung

HINWEIS Dieses Gerät dient zur Durchführung von Temperaturmessungen. Inkorrekte oder unsachgemäße Verwendung kann zu falschen oder ungenauen Messungen führen. Für die Auswahl der geeigneten Messmethoden für die jeweiligen Bedingungen ist der Benutzer verantwortlich.

Laser-Klassifizierung



Das RIDGID micro IR-200 erzeugt einen sichtbaren Laserstrahl, der vorne aus dem Gerät ausgesandt wird.

Das Gerät entspricht Klasse-2-Lasern gemäß: IEC 60825-1:2007

FCC-Erklärung

Dieses Gerät wurde getestet und erfüllt die Grenzwerte für digitale Geräte, Klasse B, nach Teil 15 der FCC-Vorschriften. Diese Grenzwerte sind so festgelegt, dass sie einen ausreichenden Schutz gegen schädliche Störeinflüsse in Wohngebäuden gewährleisten.

Dieses Gerät erzeugt und nutzt Funkstrahlung und kann diese abstrahlen; es kann daher bei unsachgemäßer Montage und Nutzung Funkverbindungen stören.

Es gibt jedoch keine Garantie, dass in einer bestimmten Anlage keine Störstrahlung entsteht.

Sollte dieses Gerät den Rundfunk- oder Fernsehempfang stören, was einfach durch Aus- und Einschalten des Geräts feststellbar ist, so sollte der Benutzer eine oder mehrere der folgenden Maßnahmen ergreifen, um diese Störstrahlung auszuschalten:

- Antenne neu ausrichten oder an einer anderen Stelle anbringen.
- Abstand zwischen Gerät und Empfänger vergrößern.
- Rücksprache mit dem Händler oder einem Radio-/TV-Fachmann nehmen.

Elektromagnetische Verträglichkeit (EMV)

Der Begriff elektromagnetische Verträglichkeit bezeichnet die Fähigkeit des Produkts, in einer Umgebung, in der elektromagnetische Strahlung und elektrostatische Entladungen auftreten, einwandfrei zu funktionieren, ohne elektromagnetische Störungen anderer Geräte zu verursachen.

HINWEIS Das RIDGID micro IR-200 entspricht allen geltenden ECV-Normen. Die Möglichkeit, dass er Störungen anderer Geräte verursacht, kann jedoch nicht ausgeschlossen werden.



Abbildung 4 – Entfernen des Batteriefachs

Wechseln/Einlegen der Batterien

Das micro IR-200 wird ohne eingelegte Batterien geliefert. Wenn die Batterieanzeige (Abbildung 3) anzeigt, muss die Batterie gewechselt werden. Entfernen Sie die Batterie vor längerer Lagerung, um ein Auslaufen der Batterie zu verhindern.

1. Drücken Sie die Batterieclips zusammen und entfernen Sie das Batteriefach aus dem Thermometer (Abbildung 4). Entfernen Sie bei Bedarf die Batterie.
2. Setzen Sie eine 9V Alkaline-Batterie (6LR61) unter Beachtung der korrekten Polarität, wie auf dem Batteriefach angegeben, ein.



Abbildung 5 – Batteriehalter und Polaritätsmarkierung

3. Drücken Sie die Clips zusammen und schieben Sie den Halter fest in das Thermometer. Der Halter lässt sich nur in einer bestimmten Richtung hineinschieben. Keine Gewalt anwenden. Vergewissern Sie sich, dass er fest verschlossen ist.

Kontrolle vor dem Betrieb

⚠️ WARNUNG

Überprüfen Sie Ihr Infrarotthermometer vor jeder Benutzung und beheben Sie etwaige Probleme, um die Gefahr von Verletzungen oder Fehlmessungen zu reduzieren.

Blicken Sie nicht in den Laserstrahl. In den Laserstrahl zu blicken, kann die Augen schädigen.

1. Entfernen Sie Öl, Fett oder Schmutz vom Gerät. Hierdurch wird die Inspektion erleichtert.
2. Untersuchen Sie das micro IR-200 auf beschädigte, abgenutzte, fehlende, falsch angebrachte oder klemmende Teile oder auf jegliche andere Bedingungen, die einen sicheren und normalen Betrieb des Geräts beeinträchtigen könnten.
3. Kontrollieren Sie, ob das Schild mit den Warnhinweisen vorhanden, sicher befestigt und gut lesbar ist (Abbildung 6).
4. Falls bei der Inspektion Mängel gefunden werden, darf das Infrarotthermometer erst verwendet werden, wenn diese vollständig beseitigt wurden.
5. Schalten Sie entsprechend der Bedienungsanleitung das Infrarotthermometer ein, nehmen Sie eine Messung vor und bestätigen Sie dieselbe Messung mit einem anderen Instrument (Kontaktthermometer, usw.). Wenn die Differenz zwischen den Messungen nicht akzeptabel ist, benutzen Sie das Infrarotthermometer erst wieder, nachdem es ordnungsgemäß gewartet wurde.



Abbildung 6 – Warnaufkleber



Vorbereitung und Betrieb

⚠️ WARNUNG



Blicken Sie nicht in den Laserstrahl. In den Laserstrahl zu blicken, kann die Augen schädigen. Blicken Sie nicht mit optischen Hilfsmitteln (Fernglas oder Fernrohr) auf den Laserstrahl.

Richten Sie den Laserstrahl nicht auf andere Personen. Vergewissern Sie sich, dass der Laser auf einen Punkt über oder unter Augenhöhe gerichtet wird. Laserstrahlen können schädlich für die Augen sein.

Treffen Sie bei der Arbeit in der Nähe von elektrischen, bewegenden oder heißen Teilen entsprechende Vorsichtsmaßnahmen. Enger Kontakt kann zum Stromschlagen, Verfangen, Verbrennungen und anderen schweren Verletzungen führen. Eventuell ist Schutzausrüstung erforderlich.

Befolgen Sie bei Vorbereitung und Benutzung des Infrarot Thermometers diese Verfahren, um die Gefahr von Verletzungen oder unkorrekten Messungen zu mindern.

Setup

- Überprüfen Sie, ob der Arbeitsbereich, wie im *Abschnitt Allgemeine Sicherheit* beschrieben, für das Gerät geeignet ist.
- Überprüfen Sie das zu messende Objekt und vergewissern Sie sich, dass Sie das richtige Gerät für die Anwendung haben. Reichweite, Genauigkeit und andere Informationen siehe *Abschnitt Technische Daten*.

Zahlreiche Faktoren können die Genauigkeit des micro IR-200 beeinflussen, darunter:

Sichtfeld – Das micro IR-200 arbeitet mit zwei Lasern, die Punkte auf beide Seiten des zu messenden Bereichs projizieren. Diese Punkte ge-

ben den ungefähren Durchmesser des Bereichs ("Spot") an, in dem die Temperatur gemessen wird. Wenn das micro IR-200 weiter (D) von der Oberfläche entfernt wird, vergrößern sich dieser Bereich und die Spot-Größe (S). Der Bereich ist etwa $\frac{1}{30}$ der Distanz zur Oberfläche. (Siehe *Abbildung 7*).

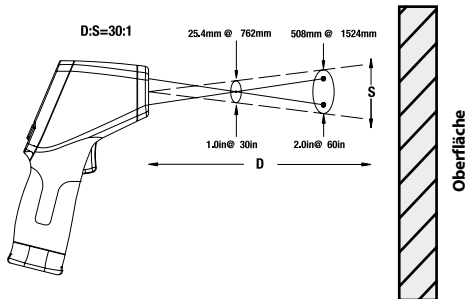


Abbildung 7 – Sichtfeld

Der Spot sollte immer kleiner sein als die Oberflächen. Je kleiner die Oberfläche, desto näher sollte sich das micro IR-200 an der Oberfläche befinden. Optimale Genauigkeit wird erzielt, wenn die Oberfläche doppelt so groß ist wie der Spot.

Emissionsgrad – Der Begriff Emissionsgrad beschreibt die Energieemissionseigenschaften von Materialien und hat einen Wert zwischen 0 und 1. Das micro IR-200 erlaubt die Einstellung des Emissionsgrades zwischen 0,10 und 1,00, um Temperaturen zu berechnen. Wenn das Emissionsverhalten einer Oberfläche unbekannt ist, kann ein Emissionsgrad von 0,95 für viele Anwendungen angenommen werden, beispielsweise für lackierte Flächen. Emissionsgradwerte

für verbreitete Materialien sind in *Abbildung 8* zu sehen.

Material	Emissionsgrad	Material	Emissionsgrad
Aluminium, poliert	0,05	Lack	0,95
Asphalt	0,88	Papier, weiß	0,90
Ziegel	0,90	Gips, rau	0,89
Beton, rau	0,91	Gummi	0,93
Kupfer, poliert	0,04	Stahl, verzinkt	0,28
Glas	0,95	Stahl, oxidiert	0,88
Kalkstein	0,92	Wasser	0,96
Marmor, poliert	0,90		

Abbildung 8 – Emissionsgradwerte für verbreitete Materialien

Temperatur – Das micro IR-200 kompensiert zwar Schwankungen der Umgebungstemperatur, erhebliche Veränderungen der Umgebungs- und der gemessenen Temperaturen können aber die Genauigkeit beeinträchtigen. Wenn erhebliche Veränderungen der Umgebungstemperatur (mehr als 30°F oder 17°C) auftreten, warten Sie 15 Minuten, bis das micro IR-200 sich angepasst hat, um eine möglichst hohe Genauigkeit zu erreichen.

Hindernisse – Dampf, Staub, Rauch und andere Hemmnisse wie Glas oder Kunststoff zwischen dem micro IR-200 und der gemessenen Oberfläche können die Genauigkeit beeinträchtigen. Sie behindern die Optik des Geräts oder führen zu Fehlmessungen (die Temperatur des Glases anstatt die der Oberfläche wird gemessen). Wenn Hindernisse vorhanden sind, nicht benutzen.

3. Stellen Sie sicher, dass alle Geräte ordnungsgemäß kontrolliert wurden.

Betrieb

Ein- und Ausschalten (Messungen durchführen)

1. Halten Sie das micro IR-200 am Griff fest und richten Sie es auf die zu messende Oberfläche. Halten Sie sich von elektrischen, bewegenden oder heißen Teilen fern. Vergewissern Sie sich vor dem Einschalten, dass der Laser in eine sichere Richtung, weg von in der Nähe befindli-

chen Personen, weist.

2. Betätigen Sie den Auslöser, um das micro IR-200 einzuschalten. Wenn der Auslöser betätigt wird, wird das SCAN-Symbol angezeigt und das micro IR-200 aktualisiert laufend die angezeigte Temperatur und zeigt die Maximaltemperatur seit Einschalten des Geräts.

Das micro IR-200 kann langsam über die Oberfläche bewegt werden, um heiße oder kalte Bereiche zu lokalisieren. Informationen über die Einstellung des Alarms für zu hohe und zu niedrige Temperaturen siehe Abschnitte über *Alarm bei zu niedriger und zu hoher Temperatur*.

3. Wenn der Auslöser losgelassen wird, erscheint das Symbol HOLD. Das micro IR-200 schaltet sich nach sieben Sekunden automatisch ab, es sei denn es befindet sich im Dauermessmodus.

micro IR-200 Bedienelemente



Abbildung 9 – Display/Tasten des micro IR-200

Dauermessmodus (Scannen)

Das micro IR-200 kann im eingeschalteten Zustand verriegelt werden, um Messungen ohne Festhalten des Auslöser zu ermöglichen. Vergewissern Sie sich vor dem Einschalten, dass der Laser in eine sichere Richtung, weg von in der Nähe befindlichen Personen, weist. Schalten Sie das micro IR-200 ein, indem Sie den Auslöser betätigen und festhalten. Halten Sie den Auslöser gedrückt, dabei die Menütaste drücken und loslassen. Das SCAN- und das Verriegelungssymbol erscheinen. Lassen Sie den Auslöser los, das micro IR-200 aktualisiert nun laufend die gemessene Temperatur, bis der Auslöser erneut gedrückt und wieder losgelassen wird.

Laser aktiviert/deaktiviert

Bei Bedarf können die zum Anvisieren verwendeten Laser abgeschaltet werden, um die Batterie zu schonen. Wenn dies geschieht, muss mit dem micro IR-200 besonders sorgfältig anvisiert werden, um genaue Messungen zu gewährleisten. Zum Aktivieren oder Deaktivieren drücken Sie, während Sie den Auslöser festhalten, die Laseraktivierungstaste und lassen Sie sie wieder los. Das Laseraktivierungssymbol ist sichtbar, wenn der Laser aktiviert ist.

Hintergrundbeleuchtung

Für den Einsatz unter schlechten Beleuchtungsverhältnissen ist das micro IR-200 mit einer Display-Hintergrundbeleuchtung ausgestattet. Zum Ein- und Ausschalten der Hintergrundbeleuchtung drücken Sie bei eingeschaltetem Gerät die Hintergrundbeleuchtungstaste.

Benutzung der Menütaste

Nach Betätigung des Auslösers können Sie durch Drücken und Loslassen der Menütaste die folgenden Einstellungen in dieser Reihenfolge durchgehen: Alarm bei hoher Temperatur ein/aus, Einstellung der Temperatur für hohen Alarm, Alarm bei niedriger Temperatur ein/aus, Einstellung der Temperatur für niedrigen Alarm, Temperatureinheiten, Emissionsgrad.

Alarm bei hohen Temperaturen

Der Alarm bei hohen Temperaturen erfolgt in Form eines akustischen Signals, wenn die aktuelle Temperatur einen voreingestellten Grenzwert überschreitet. Zum Einschalten des Alarms bei hohen Temperaturen betätigen Sie den Auslöser und lassen ihn wieder los, anschließend drücken Sie die Menütaste, bis das Symbol für hohen Alarm blinkt und lassen sie wieder los. Schalten Sie mit der Aufwärts-/Abwärtstaste den Alarm bei hohen Temperaturen ein/aus, wie in der Zeile für den aktuellen Temperaturwert angezeigt. Die Menütaste erneut drücken und wieder loslassen. Das Symbol für hohen Alarm blinkt weiter und die Temperatur für Auslösung des hohen Alarms wird angezeigt. Ändern Sie mit der Aufwärts-/Abwärtstaste die Temperatur für Auslösung des hohen Alarms nach Bedarf. Betätigen Sie den Auslöser, um den Einstellmodus zu beenden und Ihre Auswahl zu speichern.

Alarm bei niedrigen Temperaturen

Der Alarm bei niedrigem Temperaturen erfolgt in Form eines akustischen Signals, wenn die aktuelle Temperatur unter einen voreingestellten Grenzwert sinkt. Zum Einschalten des Alarms bei niedrigen Temperaturen betätigen Sie den Auslöser und lassen ihn wieder los, anschließend drücken Sie die Menütaste, bis das Symbol für niedrigen Alarm blinkt und lassen sie wieder los. Schalten Sie mit der Aufwärts-/Abwärtstaste den Alarm bei niedrigen Temperaturen ein/aus, wie in der Zeile für den aktuellen Temperaturwert angezeigt. Die Menütaste erneut drücken und wieder loslassen. Das Symbol für niedrigen Alarm blinkt weiter und die Temperatur für Auslösung des niedrigen Alarms wird angezeigt. Ändern Sie mit der Aufwärts-/Abwärtstaste die Temperatur für Auslösung des niedrigen Alarms nach Bedarf. Betätigen Sie den Auslöser, um den Einstellmodus zu beenden und Ihre Auswahl zu speichern.

Temperaturenzeigeeinheiten - °C/°F

Das micro IR-200 kann Temperaturen in Grad Celsius (C) oder Fahrenheit (F) anzeigen. Zum Ändern der Anzeigeeinheit den Auslöser betätigen und wieder loslassen, dann die Menütaste drücken und loslassen, bis die Temperatureinheit auf dem Display blinkt. Mit der Aufwärts-/

Abwärtstaste nach Bedarf zwischen C oder F wechseln. Betätigen Sie den Auslöser, um den Einstellmodus zu beenden und Ihre Auswahl zu speichern.

Emissionsgrad

Der Wert des Emissionsgrades kann zwischen 0,10 und 1,00 eingestellt werden. Die Einstellung eines geeigneten Wertes für Ihre Anwendung können Sie dem Setup-Abschnitt entnehmen. Zum Einstellen dieses Wertes den Auslöser betätigen und wieder loslassen, dann die Menütaste drücken und loslassen, bis der Emissionsgradwert auf dem Display blinkt. Mit der Aufwärts-/Abwärtstaste den Emissionsgradwert erhöhen oder verringern. Betätigen Sie den Auslöser, um den Einstellmodus zu beenden und Ihre Auswahl zu speichern.

Reinigung

Das RIDGID micro IR-200 kontaktlose Infrarotthermometer nicht in Wasser tauchen. Wischen Sie Schmutz mit einem feuchten weichen Tuch ab. Verwenden Sie keine aggressiven Reinigungsmittel oder -lösungen. Behandeln Sie das Instrument mit der gleichen Sorgfalt wie ein Teleskop oder eine Kamera.

Aufbewahrung

Das RIDGID micro IR-200 kontaktlose Infrarotthermometer muss in einem trockenen sicheren Bereich bei einer Temperatur zwischen -10°C (14°F) und 60°C (158°F) gelagert werden.

Lagern Sie das Gerät in einem abgeschlossenen Bereich außer Reichweite von Kindern und Personen, die mit dem micro IR-200 nicht vertraut sind.

Entfernen Sie vor längeren Lagerperioden oder vor dem Versand die Batterien, um ein Auslaufen der Batterie zu vermeiden.

Wartung und Reparatur

⚠️ WARNUNG

Die Betriebssicherheit des RIDGID micro IR-200 kontaktlosen Infrarotthermometers kann durch unsachgemäße Wartung oder Reparatur beeinträchtigt werden.

Wartung und Reparatur des micro IR-200 müssen von einem autorisierten RIDGID Kundendienst-Center durchgeführt werden.

Falls Sie Informationen zu einem autorisierten RIDGID Kundendienst-Center in Ihrer Nähe benötigen oder Fragen zu Service oder Reparatur haben:

- Wenden Sie sich an Ihren örtlichen RIDGID Händler.
- Auf RIDGID.com finden Sie Ihre örtliche Ridge Tool Kontaktstelle.
- Wenden Sie sich an die Abteilung Technischer Kundendienst von Ridge Tool unter rttechservices@emerson.com oder in den USA und Kanada telefonisch unter (800) 519-3456.

Entsorgung

Teile des RIDGID micro IR-200 kontaktlosen Infrarotthermometers enthalten wertvolle Materialien, die recycelt werden können. Hierfür gibt es auf Recycling spezialisierte Betriebe, die u. U. auch örtlich ansässig sind. Entsorgen Sie die Teile entsprechend den örtlich geltenden Bestimmungen. Weitere Informationen erhalten Sie bei der örtlichen Abfallwirtschaftsbehörde.



Für EG-Länder: Werfen Sie Elektrogeräte nicht in den Hausmüll!

Gemäß der Europäischen Richtlinie 2012/19/EU über Elektro- und Elektronik-Altgeräte und ihrer Umsetzung in nationales Recht müssen nicht mehr gebrauchsfähige Elektrogeräte getrennt gesammelt und einer umweltgerechten Wiederverwertung zugeführt werden.

Entsorgung von Akkus

Für EU-Länder: Gemäß der Richtlinie 2012/19/EU müssen defekte oder verbrauchte Batterien recycelt werden.

micro IR-200

micro IR-200 Contactloze infraroodthermometer



WAARSCHUWING

Lees deze handleiding aandachtig door voordat u dit apparaat gebruikt. Het niet begrijpen en naleven van al de inhoud van deze handleiding kan resulteren in elektrische schokken, brand en/of ernstige verwondingen.

micro IR-200 Contactloze infraroodthermometer

Noteer het serienummer hieronder en bewaar het serienummer van het product dat zich op het identificatieplaatje bevindt.

Serie-
nr.

Inhoudsopgave

Veiligheidssymbolen	55
Algemene veiligheidsvoorschriften	58
Veiligheid op de werkplek	58
Elektrische veiligheid	58
Persoonlijke veiligheid	58
Gebruik en onderhoud van de apparatuur	58
Onderhoud	59
Specifieke veiligheidsinformatie	59
Infraroodthermometerveiligheid.....	59
Beschrijving, specificaties en standaarduitrusting	59
Beschrijving	59
Specificaties.....	60
Onderdelen.....	61
LCD-displaypictogrammen	61
Standaarduitrusting	61
Laserclassificatie	62
FCC-verklaring	62
Elektromagnetische compatibiliteit (EMC)	62
Installeren/Vervangen van de batterijen	62
Inspectie vóór gebruik	63
Instellingen en werking	64
Instelling	64
Werking	65
In- en uitschakelen (Metingen uitvoeren)	65
micro IR-200-bedieningselementen	66
Continu meten (Scannen).....	66
Laser geactiveerd/geactiveerd	66
Achtergrondverlichting	66
Gebruik van de menu-toets	66
High-alarm	66

Low-alarm	67
Temperatuurweergave-eenheden - C/F	67
Emitterend vermogen	67

Reinigen	67
Opbergen	67
Onderhoud en reparatie	67
Afvalverwijdering	68
Verwijdering van batterijen	68
EG-Verklaring van overeenstemmingBinnenkant van de achterromslag	
Levenslange garantie	Achterflap

* Vertaling van de oorspronkelijke gebruiksaanwijzing

Veiligheidssymbolen

In deze gebruiksaanwijzing en op het product worden veiligheidssymbolen en bepaalde woorden gebruikt om de aandacht te vestigen op belangrijke veiligheidsinformatie. In dit hoofdstuk worden die woorden en symbolen nader toegelicht.



Dit is het veiligheidsalarmsymbool. Het wordt gebruikt om uw aandacht te vestigen op potentiële risico's van lichamelijk letsel. Leef alle veiligheidsinstructies achter dit symbool na om een mogelijke letsels of dodelijke ongevallen te voorkomen.



GEVAAR GEVAAR verwijst naar een gevaarlijke situatie die, als ze niet wordt vermeden, zal resulteren in een ernstig of dodelijk letsel.



WAARSCHUWING WAARSCHUWING verwijst naar een gevaarlijke situatie die, als ze niet wordt vermeden, kan resulteren in een ernstig of dodelijk letsel.



VOORZICHTIG VOORZICHTIG verwijst naar een gevaarlijke situatie die, als ze niet wordt vermeden, kan resulteren in een licht of matig letsel.



OPGELET OPGELET verwijst naar informatie over eigendomsbescherming.



Dit symbool geeft aan dat u de handleiding aandachtig moet lezen voordat u de apparatuur gebruikt. De handleiding bevat belangrijke informatie over de veilige en correcte bediening van de apparatuur.



Dit symbool betekent dat dit apparaat een klasse 2-laser bevat.



Dit symbool betekent dat je niet recht in de laserstraal mag kijken.



Dit symbool waarschuwt voor de aanwezigheid en de gevaren van een laserstraal.

Algemene veiligheidsvoorschriften

⚠ WAARSCHUWING

Lees alle veiligheidswaarschuwingen en -instructies. Als u de waarschuwingen en instructies niet opvolgt, kan dat leiden tot elektrische schokken, brand en/of ernstig letsel.

BEWAAR DEZE INSTRUCTIES!

De EG-conformiteitsverklaring (890-011-320.10) zal zo nodig als een afzonderlijk boekje bij deze gebruiksaanwijzing worden geleverd.

Veiligheid op de werkplek

- **Houd de werkplek schoon en goed verlicht.** Een rommelige of donkere werkplek vraagt om ongevallen.
- **Gebruik apparatuur niet in een explosieve omgeving, bijvoorbeeld in de aanwezigheid van ontvlambare vloeistoffen, gasen of stof.** Apparatuur kan vonken genereren die stof of dampen kunnen doen ontbranden.
- **Houd kinderen en omstanders op afstand terwijl u met apparatuur werkt.** U kan de controle over het gereedschap verliezen als u wordt afgeleid.

Elektrische veiligheid

- **Vermijd lichamelijk contact met geaarde oppervlakken zoals buizen, radiators, fornuizen en koelkasten.** Het risico op elektrische schokken is groter als uw lichaam geaard is.
- **Stel apparatuur niet bloot aan regen of vochtige omstandigheden.** Als er water in apparatuur terechtkomt, neemt het risico op elektrische schokken toe.

Persoonlijke veiligheid

- **Blijf alert, let op wat u doet en gebruik uw gezond verstand bij het gebruik van apparatuur.** Gebruik geen apparatuur wanneer u moe bent of onder invloed van drugs, alcohol of geneesmiddelen. Als u ook maar even niet oplet tijdens het gebruik van apparatuur kan dit resulteren in ernstig persoonlijk letsel.

- **Gebruik persoonlijke beschermingsmiddelen.** Draag altijd een veiligheidsbril. Aan de werkomstandigheden aangepaste beschermingsmiddelen zoals een stofmasker, veiligheidsschoenen met antislipzolen, een veiligheidshelm en gehoorbeschermingsmiddelen verminderen het risico op persoonlijk letsel.
- **Tracht nooit te ver te reiken. Zorg dat u altijd stevig staat en dat u uw evenwicht niet verliest.** Zo hebt u meer controle over het elektrisch gereedschap als er zich een onverwachte situatie voordoet.

Gebruik en onderhoud van de apparatuur

- **Forceer de apparatuur niet. Gebruik de juiste apparatuur voor uw werkzaamheden.** De juiste apparatuur werkt beter en veiliger wanneer u ze gebruikt met het tempo waarvoor ze werd ontworpen.
- **Gebruik de apparatuur niet als u deze niet IN en UIT kunt schakelen met de schakelaar.** Een toestel dat niet in- en uitgeschakeld kan worden met de schakelaar is gevaarlijk en moet hersteld worden.
- **Verwijder de batterijen uit het toestel alvorens instellingen uit te voeren, toebehoren te vervangen of het apparaat op te bergen.** Door dergelijke veiligheidsmaatregelen neemt de kans op letsel af.
- **Bewaar ongebruikte apparatuur buiten het bereik van kinderen en laat personen die niet vertrouwd zijn met de apparatuur of met deze instructies niet met de apparatuur werken.** Apparatuur kan in de handen van onervaren gebruikers gevaarlijk zijn.
- **Onderhoud de apparatuur goed.** Controleer op verkeerd aangesloten en vastgelopen bewegende delen, ontbrekende onderdelen, defecte onderdelen en andere omstandigheden die gevolgen kunnen hebben voor de werking van de apparatuur. Als de apparatuur beschadigd is, moet u ze laten repareren alvorens ze opnieuw te gebruiken. Veel ongelukken worden veroorzaakt door slecht onderhouden apparatuur.
- **Gebruik de apparatuur en de toebehoren in overeenstemming met deze instructies, en houd daarbij rekening met de werkomstandigheden en de te verrichten werkzaamheden.** Het gebruik van apparatuur voor andere doeleinden dan het beoogde gebruik kan gevaarlijke situaties opleveren.
- **Gebruik alleen toebehoren die door de fabrikant voor uw ap-**

paratuur aanbevolen worden. Toebehoren die geschikt zijn voor bepaalde apparatuur kunnen in combinatie met andere apparatuur gevaarlijk zijn.

- **Houd handgrepen droog en schoon; vrij van olie en vet.** Hierdoor houdt u meer controle over de apparatuur.

Onderhoud

- **Laat uw apparatuur onderhouden en repareren door een voegde herstdienst die uitsluitend originele reserveonderdelen gebruikt.** Zo wordt de veiligheid van het gereedschap gewaarborgd.

Specifieke veiligheidsinformatie

▲ WAARSCHUWING

Dit hoofdstuk bevat belangrijke veiligheidsinformatie die specifiek betrekking heeft op dit toestel.

Lees deze veiligheidsvoorschriften zorgvuldig alvorens de RIDGID® micro IR-200 contactloze infraroodthermometer te gebruiken om het risico van oogletsels of andere ernstige lichamelijke letsels te verkleinen.

BEWAAR DEZE INSTRUCTIES!

Bewaar deze handleiding voor de gebruiker bij de machine.

Infraroodthermometerveiligheid

- **Kijk nooit recht in de laserstraal.** Kijken in een laserstraal kan gevaarlijk zijn voor de ogen. Kijk niet naar de laserstraal met optische hulpmiddelen (zoals een verrekijker of een telescoop).
- **Richt de laserstraal nooit op andere mensen.** Zorg ervoor dat de laserstraal steeds boven of onder oogniveau wordt gericht. Laserstralen kunnen gevaarlijk zijn voor de ogen.
- **Gebruik dit toestel nooit voor persoonlijke inspectie of medische toepassingen.** Dit is geen medisch apparaat. Dat zou persoonlijk letsel kunnen veroorzaken.
- **Neem de nodige voorzorgsmaatregelen bij werkzaamheden in de buurt van elektrische, bewegende of hete onderdelen.**

Contact met dergelijke onderdelen kan leiden tot elektroshock, verstricking, brandwonden en andere ernstige letsels. Dergelijke situaties vereisen mogelijk beschermingsmiddelen.

▲ VOORZICHTIG Gebruik van bedieningselementen of aanpassingen of het uitvoeren van procedures die afwijken van hetgeen hierin staat opgegeven, kan resulteren in een gevaarlijke blootstelling aan straling.

Als u nog vragen hebt over dit RIDGID®-product:

- Bij uw plaatselijke RIDGID-distributeur.
- Kijk op RIDGID.com om uw plaatselijke RIDGID-contactpunt te vinden.
- Neemt u contact op met Ridge Tool Technical Services Department via rtctechservices@emerson.com, of in de VS en Canada via het nummer (800) 519-3456.

Beschrijving, specificaties en standaarduitrusting

Beschrijving

De RIDGID® micro IR-200 contactloze infraroodthermometer kunt eenvoudig, snel en accuraat oppervlaktetemperaturen meten met een druk op een toets. Haal gewoon de trekker over en richt de uiterst scherpe dubbele klasse II-laserstraal op het te meten oppervlak. De micro IR-200 toont de gemeten temperatuurwaarde onmiddellijk op een duidelijk en gemakkelijk afleesbaar LCD-display met achtergrondverlichting. Naast tal van andere toepassingen stelt dit robuuste, compacte instrument vakmensen in staat verwarmings- en ventilatieproblemen te diagnosticeren, preventieve inspecties uit te voeren op elektrische motoren en systemen, problemen met stoomafsluiters te verhelpen en zekeringen of contactverbrekers snel en contactloos te controleren op oververhitting.

De micro IR-200 bevat optieken voor het detecteren van uitgezonden, weerkaatste en overgedragen energie, die wordt opgevangen en geconcentreerd op een detector. De elektronica van het instrument zet de informatie om een temperatuurwaarde, die wordt weergegeven. De laserstralen worden gebruikt om het richten te vergemakkelijken.

Specificaties

Temperatuurbereik.....	-58°F tot 2192°F (-50°C tot 1200°C)
Afstand/Plek-verhouding.....	30 tot 1
Meetnauwkeurigheid.....	-58°F ~68°F (50°C ~20°C): ±4,5°F (2,5°C) 68°F ~1472°F (20°C ~800°C) ±1,0% of ±1.8°F (1,0°C)
Herhaalbaarheid.....	-58°F ~68°F (50°C ~20°C): ±2.3°F (1,3°C) 68°F ~1472°F (20°C ~800°C) ±0,5% of ±0.9°F (0,5°C)
Reactietijd.....	150ms
Spectrumkarakteristiek.....	8~14um
Emitterend vermogen.....	Instelbaar, 0,10 – 1,00
Overschrijdingsindicatie.....	LCD toont "----"
Diodelaser.....	Output <1mW, golflengte 630~670nm, klasse 2-laserproduct
Temperatuurweergave.....	Heersende temperatuur, MAX temperatuur
Meeteenheden.....	Fahrenheit, Celsius
Bedrijfstemperatuur.....	32°F tot 122°F (0°C tot 50°C)
Opslagtemperatuur.....	14°F tot 140°F (-10°C tot 60°C)
Displayresolutie.....	0.1°F (0,1°C)
Relatieve luchtvochtigheid.....	10%~90% RLV in bedrijf, <80% RLV bij opslag
Batterijen.....	9V-batterij (1), NEDA 1604A of IEC 6LR61, of equivalent
IP-graad.....	IP54
Gewicht.....	0.6 lbs (0,3 kg)

Kenmerken

- Snelle-detectiefunctie
- Dubbele klasse II-laserwaarneming
- Automatische Data Hold
- MAX-temperatuurweergaven
- Nauwkeurige contactloze metingen
- Automatisch selectiebereik en weergaveresolutie 0.1°F (0,1°C)
- LCD-scherm met achtergrondverlichting
- Trekkervergrendeling
- Ingestelde High- en Low-alarmen
- Instelbaar emitterend vermogen

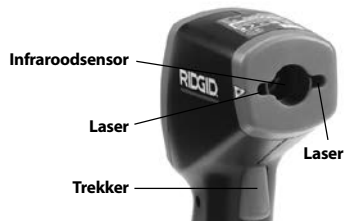


Figuur 1 – micro IR-200 Contactloze infraroodthermometer

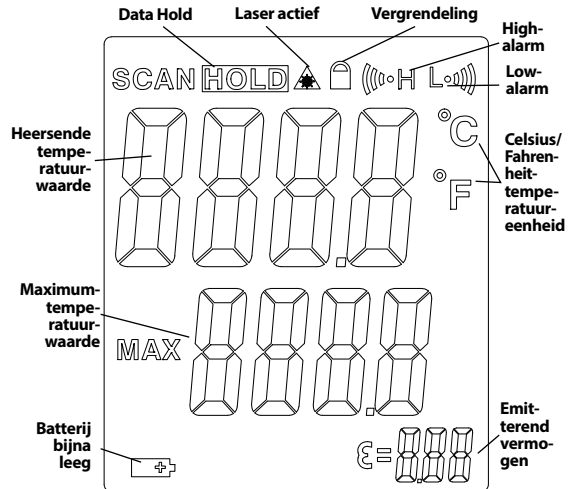
Onderdelen



Figuur 2 – Onderdelen van de micro IR-200



LCD-display pictogrammen



Figuur 3 – Display van de micro IR-200

Standaarduitrusting

- micro IR-200
- Draagkoffer
- Batterij 1 x 9V
- Handleiding

OPGELET Dit instrument wordt gebruikt voor het meten van temperaturen. Een verkeerd gebruik of een foutieve toepassing kunnen resulteren in incorrecte of onnauwkeurige metingen. Het kiezen van de geschikte meetmethoden voor de heersende omstandigheden is de verantwoordelijkheid van de gebruiker.

Laserclassificatie



De RIDGID micro IR-200 genereert een zichtbare laserstraal die wordt uitgestraald vanuit de voorkant van het apparaat.

Het apparaat voldoet aan klasse 2-lasers volgens: IEC 60825-1:2007

FCC-verklaring

Deze uitrusting is getest en voldoet aan de grenzen voor digitale apparatuur van klasse B conform hoofdstuk 15 van de FCC-voorschriften. Die grenzen zijn vastgelegd om een redelijke bescherming tegen schadelijke storingen in een residentiële omgeving te verzekeren.

Deze uitrusting genereert toepassingsmogelijkheden en kan RF-energie uitstralen. Als ze niet wordt geïnstalleerd en gebruikt in overeenstemming met de instructies, kan ze radiocommunicatiesystemen storen.

Er is evenwel geen garantie dat ze in een welbepaalde configuratie nooit storingen zal veroorzaken.

Als deze uitrusting toch leidt tot een gestoorde radio- of tv-ontvangst, wat kan worden gecontroleerd door de uitrusting in en uit te schakelen, dan kan de gebruiker de storingen proberen te neutraliseren door een of meer van de volgende maatregelen te nemen:

- De ontvangstantenne verdraaien of verplaatsen;
- De afstand tussen de uitrusting en de ontvanger vergroten;
- De hulp inroepen van de verdeler of een ervaren radio- of tv-technicus.

Elektromagnetische compatibiliteit (EMC)


Met de term elektromagnetische compatibiliteit wordt bedoeld het vermogen van het product om normaal te werken in een omgeving waarin er zich elektromagnetische straling en elektrostatische ontladingen voordoen en zonder elektromagnetische interferentie te veroorzaken in andere apparatuur.

OPGELET De RIDGID micro IR-200 voldoet aan alle geldende EMC-normen. De mogelijkheid dat het apparaat interferentie veroorzaakt bij andere toestellen kan echter niet worden uitgesloten.



Figuur 4 – Verwijderen van batterijhouder

Installeren/Vervangen van de batterijen

De micro IR-200 wordt geleverd zonder geïnstalleerde batterij. Wanneer de batterij-indicator (Figuur 3)  wordt weergegeven, moet de batterij worden vervangen. Verwijder de batterij uit het toestel alvorens het langere tijd op te bergen, om batterijlekkage te voorkomen.

1. Druk de batterijhouderclips naar elkaar toe en trek de batterijhouder uit de thermometer (Figuur 4). Verwijder de batterij, indien nodig.
2. Installeer een 9V-alkalinebatterij (6LR61), rekening houdend met de in de batterijhouder aangegeven polariteit.



Figuur 5 – Batterijhouder en polariteitsindicatie

3. Druk de clips weer naar elkaar toe, en schuif de houder helemaal in de thermometer. De houder past maar op één manier in het toestel. Niet forceren. Vergewis u ervan dat het goed op zijn plaats zit.

Inspectie vóór gebruik

⚠ WAARSCHUWING

Inspecteer uw infraroodthermometer voor ieder gebruik en verhelp eventuele problemen om het risico van letsels of foutieve metingen te verkleinen.

Kijk nooit recht in de laserstraal. Kijken in een laserstraal kan gevaarlijk zijn voor de ogen.

1. Verwijder eventuele olie, vet of vuil van het apparaat. Dat vergemakkelijkt de inspectie.

2. Controleer de micro IR-200 op kapotte, versleten, ontbrekende, slecht uitgelijnde of geblokkeerde onderdelen of andere factoren die een veilige en normale werking in de weg kunnen staan.
3. Controleer of de waarschuwingslabels aanwezig is en of ze stevig vastzitten en leesbaar zijn (Figuur 6).
4. Gebruik de infraroodthermometer bij eventuele problemen tijdens de inspectie niet totdat deze adequaat verholpen zijn.
5. Schakel de infraroodthermometer in zoals beschreven in de handleiding, voer een meting uit en voer de zelfde meting uit met een ander instrument (contactthermometer, enz.). Wanneer de correlatie tussen de metingen niet aanvaardbaar is, mag u de infraroodthermometer niet gebruiken alvorens hij werd gerepareerd.



Figuur 6 – Waarschuwingslabels



Instellingen en werking

⚠ WAARSCHUWING



Kijk nooit recht in de laserstraal. Kijken in een laserstraal kan gevaarlijk zijn voor de ogen. Kijk niet naar de laserstraal met optische hulpmiddelen (zoals een verrekijker of een telescoop).

Richt de laserstraal nooit op andere mensen. Zorg ervoor dat de laserstraal steeds boven of onder oogniveau wordt gericht. Laserstralen kunnen gevaarlijk zijn voor de ogen.

Neem de nodige voorzorgsmaatregelen bij werkzaamheden in de buurt van elektrische, bewegende of hete onderdelen. Contact met dergelijke onderdelen kan leiden tot elektroshock, verstrikking, brandwonden en andere ernstige letsels. Dergelijke situaties vereisen mogelijk beschermingsmiddelen.

Monteer en gebruik de infraroodthermometer volgens deze procedures om het risico van letsels of foutieve metingen te verkleinen.

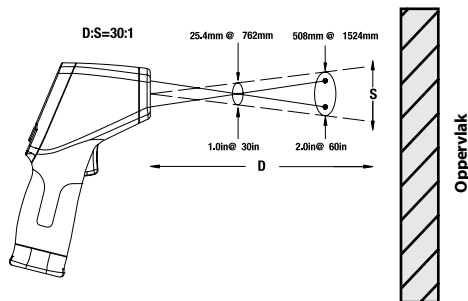
Instelling

1. Controleer of de werkplek voldoende veilig is, zoals aangegeven in het hoofdstuk *Algemene veiligheid*.
2. Inspecteer het object waar u de laserstraal op richt voor de meting en vergewis u ervan dat u de correcte apparatuur hebt voor de toepassing. Zie het hoofdstuk *Specificaties* voor informatie i.v.m. bereik, nauwkeurigheid enz.

De nauwkeurigheid van de micro IR-200 kan worden beïnvloed door een aantal verschillende factoren, zoals:

Gezichtsvel – De micro IR-200 gebruikt twee lasers om punten te projecteren langs weerszijden van het te meten gebied. Die punten geven de geschatte diameter aan van het gebied (de "plek") waarbinnen de temperatuur wordt gemeten.

Naarmate de micro IR-200 verder (D) wegbeweegt van het oppervlak, neemt de omvang van dat gebied (S) toe. De grootte van de meetzone is ongeveer gelijk aan $\frac{1}{30}$ keer de afstand tot het oppervlak. (Zie figuur 7.)



Figuur 7 – Gezichtsvel

De plek moet altijd kleiner zijn dan het oppervlak. Hoe kleiner het oppervlak hoe dichterbij de micro IR-200 bij het oppervlak moet worden gehouden. Voor een optimale nauwkeurigheid moet het oppervlak twee keer zo groot zijn als de plek.

Emitterend vermogen – Emitterend vermogen is een term die wordt gebruikt voor het beschrijven van energie-emissiekenmerken van materialen en kan een waarde hebben van 0 tot 1. Voor de temperatuurbepaling kan bij de micro IR-200 de factor emitterend vermogen worden ingesteld op een waarde tussen 0,10 en 1,00. Als de emissiekenmerken van een oppervlak niet gekend zijn, kan voor een groot aantal toepassingen (bijvoorbeeld temperatuurmetingen bij geverfde oppervlakken) het emitterend vermogen op 0,95 worden ingesteld. In *Figuur 8* vindt u de emissiefactor voor een aantal gebruikelijke materialen.

Materiaal	Emitterend vermogen	Materiaal	Emitterend vermogen
Aluminium, gepolijst	0,05	Lakverf	0,95
Asfalt	0,88	Papier, wit	0,90
Baksteen	0,90	Pleisterwerk, ruw	0,89
Ruw beton	0,91	Rubber	0,93
Koper, gepolijst	0,04	Staal, gegalvaniseerd	0,28
Glas	0,95	Staal, geoxideerd	0,88
Kalksteen	0,92	Water	0,96
Marmer, gepolijst	0,90		

Figuur 8 – Het emitterend vermogen van een aantal gebruikelijke materialen

Temperatuur – Hoewel de micro IR-200 variaties in de omgevings-temperatuur compenseert, kunnen grote schommelingen in de omgevings- en de gemeten temperatuur de accuraatheid doen afnemen. In geval van aanzienlijke wijzigingen in de omgevingstemperatuur (meer dan 30°F of 17°C), dient u de micro IR-200 vijftien minuten de tijd geven om zich aan te passen.

Belemmeringen – Stoom, stof, rook en andere belemmeringen, zoals glas of plastic, tussen de micro IR-200 en het te meten oppervlak kunnen de nauwkeurigheid doen afnemen. Ze belemmeren de optische elementen van het instrument of leveren foute aflezingen op (meting van de temperatuur van het glas in plaats van het oppervlak). Gebruik het instrument niet in geval van belemmeringen.

3. Vergewis u ervan dat alle apparatuur grondig werd gecontroleerd.

Werking

In- en uitschakelen (Metingen uitvoeren)

1. Houd de micro IR-200 vast met de handgreep en richt hem op het te meten oppervlak. Blijf uit de buurt van elektrische, bewegende of hete onderdelen. Zorg ervoor dat de laser in een veilige richting wordt gericht, weg van eventuele omstanders, alvorens het apparaat in te schakelen.
2. Haal de trekker over om de micro IR-200 in te schakelen. Wanneer de trekker wordt overgehaald, verschijnt het SCAN-pictogram en zal de micro IR-200 de weergegeven temperatuurwaarde voortdurend bijwerken en de maximale temperatuur weergeven sinds het instrument werd ingeschakeld.

De micro IR-200 kan langzaam over het oppervlak worden bewogen om warme of koude zones te lokaliseren. *Zie de hoofdstukken High-alarm en Low-alarm* voor informatie over de instellingen van high- en low-alarm.

3. Wanneer de trekker wordt losgelaten, verschijnt het HOLD-pictogram. De micro IR-200 wordt automatisch uitgeschakeld na zeven seconden, tenzij het instrument in de modus “continu meten” staat.

micro IR-200-bedieningselementen



Figuur 8 – Display/Toetsen van de micro IR-200

Continu meten (Scannen)

De trekker van de micro IR-200 kan worden vergrendeld om metingen uit te voeren zonder dat u de trekker hoeft vast te houden. Zorg ervoor dat de laser in een veilige richting wordt gericht, weg van eventuele omstanders, alvorens het apparaat in te schakelen. Schakel de micro IR-200 in door de trekker over te halen en hem ingedrukt te houden. Druk op de menu-toets terwijl u de trekker vasthoudt. De SCAN- en Lock-pictogrammen worden weergegeven. Laat de trekker los; de micro IR-200 zal de gemeten temperatuur aanhoudend bijwerken tot de trekker opnieuw wordt ingedrukt en losgelaten.

Laser geactiveerd/geactiveerd

Indien nodig kunnen de lasers voor het richten worden uitgeschakeld om de batterij te sparen. Wanneer u dat doet, moet u de micro IR-200 extra zorgvuldig richten om nauwkeurige metingen te verkrijgen. Om de laser te activeren of deactiveren, drukt u op de laseractieve-toets terwijl u de trekker ingedrukt houdt. Het pictogram "laser actief" wordt weergegeven wanneer de laser actief is.

Achtergrondverlichting

Voor gebruik in slecht verlichte omgevingen werd de micro IR-200 uitgerust met een displayachtergrondverlichting. Om de achtergrondverlichting in en uit te schakelen, drukt u op de achtergrondverlichtings-toets.

Gebruik van de menu-toets

Bij overgehaalde trekker kunt u met de menu-toets de volgende instellingen overlopen, in deze volgorde: High-alarm AAN/UIT, High-alarmtemperatuurinstelling, Low-alarm AAN/UIT, Low-alarmtemperatuurinstelling, temperatuurweergave-eenheden, emitterend vermogen.

High-alarm

High-alarm genereert een geluidssignaal wanneer de heersende temperatuur de ingestelde limiet overschrijdt. Doe het volgende om het High-alarm in te schakelen: haal de trekker over en laat hem weer los, druk op de menu-toets tot het High-alarm-pictogram knippert. Gebruik de pijltjestoets om het High-alarm in of uit te schakelen zoals aangegeven op de lijn van de heersende temperatuurwaarde. Druk opnieuw op de menu-toets en laat ze los. Het High-alarm-pictogram blijft knipperen, en de High-alarmtemperatuur wordt weergegeven. Gebruik de pijltjestoets om de High-alarmtemperatuur desgewenst wijzigen. Gebruik de trekker om de instellingsmodus te verlaten en uw selectie op te slaan.

Low-alarm

Low-alarm genereert een geluidssignaal wanneer de temperatuur daalt tot onder de ingestelde limiet. Doe het volgende om het Low-alarm in te schakelen: haal de trekker over en laat hem weer los, druk op de menu-toets tot het Low-alarm-pictogram knippert. Gebruik de pijltjestoetsen om het Low-alarm in of uit te schakelen zoals aangegeven op de lijn van de heersende temperatuurwaarde. Druk opnieuw op de menu-toets en laat ze los. Het Low-alarm-pictogram blijft knipperen, en de Low-alarmtemperatuur wordt weergegeven. Gebruik de pijltjestoetsen om de Low-alarmtemperatuur desgewenst wijzigen. Gebruik de trekker om de instellingsmodus te verlaten en uw selectie op te slaan.

Temperatuurweergave-eenheden - C/F

De micro IR-200 kan temperaturen weergeven in graden Celsius (C) of Fahrenheit (F). Doe het volgende om de weergave-eenheid te wijzigen: duw de trekker in en laat hem los, druk de menu-toets achtereenvolgens in tot de temperatuureenheid op het scherm knippert. Gebruik de pijltjestoetsen om om te schakelen tussen C en F. Duw de trekker in om de instellingsmodus te verlaten en uw selectie op te slaan.

Emitterend vermogen

Het emitterend vermogen kan worden ingesteld tussen 0,10 en 1,00. Zie de sectie Instellen om de geschikte waarde voor uw toepassing te bepalen. Om de waarde te wijzigen moet u de trekker induwen en weer loslaten, en vervolgens de menuknop indrukken en weer loslaten tot de waarde voor de emissiefactor op het display knippert. Gebruik de knoppen op/nee om het emitterend vermogen te verhogen of verlagen. Duw de trekker in om de instellingsmodus te verlaten en uw selectie op te slaan.

Reinigen

Dompel de RIDGID micro IR-200 Contactloze infraroodthermometer nooit onder in water. Veeg vuil er af met een vochtige zachte doek. Gebruik geen agressieve reinigingsmiddelen of oplossingen. Behandel het instrument op dezelfde manier als een telescoop of een camera.

Opbergen

De RIDGID micro IR-200 Infraroodthermometer moet worden opgeborgen op een droge en veilige plaats bij een temperatuur tussen 14°F (-10°C) en 140°F (60°C.)

Berg het instrument op op een vergrendelde plaats, buiten het bereik van kinderen en mensen die niet vertrouwd zijn met het gebruik van de micro IR-200.

Verwijder de batterij uit het toestel alvorens u het voor langere tijd opbergt of alvorens het te vervoeren om batterijlekkage te voorkomen.

Onderhoud en reparatie

WAARSCHUWING

Gebrekkelijk onderhoud of een onjuiste herstelling kan de RIDGID micro IR-200 Contactloze infraroodthermometer gevaarlijk maken om mee te werken.

Onderhoud en reparatie van de micro IR-200 moet worden uitgevoerd door een erkend, onafhankelijk RIDGID-onderhoudscentrum.

Voor informatie over het dichtstbijzijnde erkende onafhankelijke RIDGID-servicecenter of eventuele vragen over onderhoud of reparatie:

- Bij uw plaatselijke RIDGID-distributeur.
- Ga naar RIDGID.com om uw lokale Ridge Tool-contactpunt te vinden.
- Neem u contact op met Ridge Tool Technical Services Department via rtctechservices@emerson.com, of in de VS en Canada via het nummer (800) 519-3456.

Afvalverwijdering

Onderdelen van de RIDGID micro IR-200 Contactloze infraroodthermometer bevatten waardevolle materialen en kunnen worden gerecycled. Een bedrijf dat gespecialiseerd is in recyclage vindt u ongetwijfeld ook bij u in de buurt. Verwijder de onderdelen in overeenstemming met de geldende wet- en regelgeving. Neem contact op met de plaatselijke afvalverwijderingsinstantie voor nadere informatie.



In EG-landen: Bied elektrische apparatuur niet bij het huishoudelijk afval aan!

Conform de Europese Richtlijn 2012/19/EU betreffende afgedankte elektrische en elektronische apparatuur en de ratificatie daarvan op landelijk niveau, moet elektrische apparatuur die niet meer bruikbaar is afzonderlijk worden ingezameld en op milieuvriendelijke wijze worden afgevoerd.

Verwijdering van batterijen

In EG-landen: defecte of gebruikte batterijen moeten conform de richtlijn 2012/19/EU worden gerecycled.

micro IR-200

micro IR-200 Termometro a infrarossi senza contatto



⚠ AVVERTENZA

Leggere attentamente il Manuale di istruzioni prima di usare questo strumento. La mancata comprensione e osservanza delle istruzioni contenute in questo manuale può causare scosse elettriche, incendi e/o lesioni gravi.

Termometro a infrarossi senza contatto micro IR-200

Annotare il numero di serie in basso e conservare il numero di serie del prodotto che si trova sulla targhetta.

N.
Serie.

Indice

Modulo per la registrazione del numero di serie del prodotto	69
Simboli di sicurezza	71
Regole generali per la sicurezza	72
Sicurezza nell'area di lavoro	72
Sicurezza elettrica.....	72
Sicurezza individuale	72
Uso e manutenzione dell'apparecchiatura.....	72
Manutenzione.....	73
Informazioni specifiche di sicurezza	73
Sicurezza del termometro a infrarossi	73
Descrizione, specifiche e dotazione standard	73
Descrizione.....	73
Caratteristiche tecniche	74
Parti	75
Icone del display LCD.....	75
Dotazione standard	75
Classificazione laser	76
Dichiarazione FCC	76
Compatibilità elettromagnetica (EMC)	76
Sostituzione/Installazione delle batterie	76
Ispezione prima dell'uso	77
Impostazione ed uso	78
Impostazione	78
Funzionamento	79
Accensione e spegnimento (Effettuazione di misurazioni).....	79
Comandi del micro IR-200	79
Modalità di Misurazione Continua (Scansione).....	80
Laser Abilitato/Disabilitato	80

Retroilluminazione.....	80
Uso del pulsante menu	80
Allarme alto.....	80
Allarme basso.....	80
Unità di misura temperatura del display - °C/°F	80
Emissività	81

Pulizia	81
----------------------	----

Conservazione	81
----------------------------	----

Assistenza e riparazione	81
---------------------------------------	----

Smaltimento	81
--------------------------	----

Smaltimento batteria	81
-----------------------------------	----

Dichiarazione di conformità CE	Coperchio posteriore interno
---	------------------------------

Garanzia a vita	Quarta di copertina
------------------------------	---------------------

*Traduzione delle istruzioni originali

Simboli di sicurezza

Nel presente manuale d'istruzioni e sul prodotto, i simboli di sicurezza e le indicazioni scritte vengono utilizzati per comunicare importanti informazioni di sicurezza. Questa sezione serve a migliorare la comprensione di tali indicazioni e simboli.



Questo è un simbolo di avviso di sicurezza. Viene utilizzato per avvertire l'utente di potenziali pericoli di lesioni personali. Rispettare tutti i messaggi che presentano questo simbolo per evitare possibili lesioni anche letali.

⚠ PERICOLO

PERICOLO indica una situazione pericolosa che, se non evitata, provoca la morte o gravi lesioni.

⚠ AVVERTENZA

AVVERTENZA indica una situazione pericolosa che, se non evitata, può provocare la morte o gravi lesioni.

⚠ PRECAUZIONE

PRECAUZIONE indica una situazione pericolosa che, se non evitata, può causare lesioni lievi o moderate.

NOTA

NOTA indica informazioni relative alla protezione del prodotto.



Questo simbolo significa che occorre leggere il manuale attentamente prima di usare lo strumento. Il manuale contiene informazioni importanti sull'uso sicuro e appropriato dello strumento.



Questo simbolo significa che questo dispositivo contiene un laser di classe 2.



Questo simbolo significa di non guardare fisso nel raggio laser.



Questo simbolo avverte della presenza e pericolosità di un raggio laser.

Regole generali per la sicurezza

⚠ AVVERTENZA

Leggere tutte le avvertenze di sicurezza e le istruzioni. La mancata osservanza delle avvertenze e delle istruzioni può causare scosse elettriche, incendi e/o lesioni gravi.

CONSERVARE IL PRESENTE MANUALE DI ISTRUZIONI!

La dichiarazione di conformità CE (890-011-320.10) accompagnerà questo manuale con un libretto separato quando necessario.

Sicurezza nell'area di lavoro

- **Mantenere l'area di lavoro pulita e ben illuminata.** Aree disordinate o al buio favoriscono gli incidenti.
- **Non utilizzare lo strumento in ambienti a pericolo di esplosione, in presenza di liquidi, gas o polveri infiammabili.** È possibile che l'apparecchiatura produca scintille che possono incendiare la polvere o i fumi.
- **Tenere i bambini e gli estranei lontani quando si utilizza l'apparecchiatura.** Qualunque distrazione può farne perdere il controllo.

Sicurezza elettrica

- **Evitare il contatto del corpo con superfici con messa a terra o collegate a massa come tubature, radiatori, fornelli e frigoriferi.** Il rischio di folgorazione è maggiore se il corpo è collegato a terra.
- **Non esporre l'apparecchiatura alla pioggia o all'umidità.** Se penetra dell'acqua nell'apparecchiatura, il rischio di scossa elettrica aumenta.

Sicurezza individuale

- **Non distrarsi, prestare attenzione e utilizzare l'apparecchiatura usando il buon senso. Non utilizzare l'apparecchiatura in caso di stanchezza o sotto l'effetto di droghe, alcool o farmaci.** Un attimo di distrazione durante l'utilizzo dell'apparecchiatura può causare gravi lesioni personali.

- **Usare i dispositivi di sicurezza personale.** Indossare sempre occhiali protettivi. I dispositivi di sicurezza individuale, come una mascherina per la polvere, calzature antinfortunistiche con suola antiscivolo, casco protettivo e cuffie antirumore, usati secondo le condizioni appropriate riducono il rischio di lesioni.
- **Non «strafare». Mantenere stabilità ed equilibrio in ogni momento.** Questo permette di tenere meglio sotto controllo l'attrezzo in situazioni inattese.

Uso e manutenzione dell'apparecchiatura

- **Non utilizzare l'apparecchiatura oltre le proprie capacità tecniche. Utilizzare l'apparecchio adatto alla mansione da svolgere.** L'apparecchiatura adatta svolgerà il lavoro meglio e in modo più sicuro se utilizzata secondo le specifiche per le quali è stata progettata.
- **Non utilizzare l'apparecchiatura se l'interruttore di accensione (ON) o spegnimento (OFF) non funziona.** Un attrezzo che non può essere acceso o spento è pericoloso e deve essere riparato.
- **Scollegare le batterie dall'apparecchiatura prima di effettuare qualsiasi regolazione, sostituzione degli accessori o immagazzinamento.** Tali misure di sicurezza preventive riducono il rischio di lesioni.
- **Conservare l'apparecchiatura inutilizzata fuori dalla portata dei bambini e non consentire a persone che non abbiano familiarità con l'apparecchiatura o con le presenti istruzioni d'uso di utilizzarla.** L'apparecchiatura può essere pericolosa nelle mani di utenti inesperti.
- **Manutenzione dell'apparecchiatura.** Controllare l'allineamento errato o l'inceppamento delle parti in movimento, le parti mancanti, la rottura di parti e qualsiasi altra condizione che possa pregiudicare il funzionamento delle attrezzature. Se danneggiate, fare riparare le apparecchiature prima dell'utilizzo. Molti incidenti sono causati da apparecchiature trascurate.

- Usare l'apparecchiatura e gli accessori attenendosi a queste istruzioni, tenendo presenti le condizioni di utilizzo e il lavoro da svolgere. Un uso dell'apparecchiatura per operazioni diverse da quelle a cui è destinata può dare luogo a situazioni pericolose.
- Usare solo accessori approvati dal fabbricante dell'apparecchiatura. Accessori adatti all'uso con una determinata apparecchiatura possono diventare pericolosi se utilizzati con altre apparecchiature.
- Assicurarsi che le maniglie siano asciutte, pulite e prive di olio e grasso. Ciò consente di controllare meglio l'apparecchiatura.

Manutenzione

- Fare eseguire la revisione dell'apparecchiatura da una persona qualificata che usi solo parti di ricambio originali. Questo garantisce la sicurezza dell'attrezzo.

Informazioni specifiche di sicurezza

⚠ AVVERTENZA

Questa sezione contiene importanti informazioni di sicurezza specifiche per l'attrezzo.

Leggere queste precauzioni prima di utilizzare il Termometro a infrarossi senza contatto micro IR-200 RIDGID® per ridurre il rischio di lesioni agli occhi o altre gravi lesioni personali.

CONSERVARE IL PRESENTE MANUALE DI ISTRUZIONI!

Conservare il presente manuale con l'apparecchiatura per consentirne la consultazione all'operatore.

Sicurezza del termometro a infrarossi

- **Non guardare nel raggio laser.** Guardare nel raggio laser può essere pericoloso per gli occhi. Non guardare nel fascio laser con dispositivi ottici (come binocoli o telescopi).
- **Non dirigere il raggio laser verso altre persone.** Assicurarsi che il laser sia diretto sopra o sotto il livello degli occhi. I raggi laser possono essere pericolosi per gli occhi.
- **Non utilizzare l'apparecchio per l'ispezione personale o per scopi medici.** Questo non è un apparecchio medico. Un tale utilizzo può causare lesioni personali.

- **Prendere le opportune precauzioni quando si lavora vicino ai componenti elettrici, in movimento o caldi.** Il contatto ravvicinato può provocare scosse elettriche, aggraviamenti, ustioni e altre lesioni gravi. Possono essere richieste delle attrezzature protettive.

⚠ PRECAUZIONE L'utilizzo di controlli o regolazioni diversi e l'esecuzione di procedure non conformi a quelle specificate nel presente documento può provocare l'esposizione a radiazioni pericolose.

Per qualsiasi domanda su questo prodotto RIDGID®, vedere in basso:

- Contattare il proprio distributore RIDGID.
- Visitare il sito web RIDGID.com per trovare il punto di contatto RIDGID locale.
- Contattare il Reparto Assistenza Tecnica di Ridge Tool inviando una e-mail all'indirizzo rtctechservices@emerson.com oppure, negli Stati Uniti e in Canada, chiamare il numero +1-800-519-3456.

Descrizione, specifiche e dotazione standard

Descrizione

Il Termometro a infrarossi senza contatto micro IR-200 RIDGID® fornisce letture della temperatura della superficie semplici, veloci e precise con la semplice pressione di un tasto. È sufficiente premere il grilletto e puntare il doppio laser ultrapreciso di classe II sulla superficie da misurare. Il micro IR-200 fornisce una misurazione immediata della temperatura su un chiaro display LCD retroilluminato facile da leggere. Oltre a numerosi altri usi, questo strumento robusto e compatto permette al professionista di diagnosticare i problemi di riscaldamento e di ventilazione, eseguire un monitoraggio preventivo dei motori e impianti elettrici, risolvere i problemi degli scaricatori di condensa e verificare velocemente senza contatto il surriscaldamento di fusibili o interruttori.

Il micro IR-200 utilizza dei sistemi ottici per rilevare l'energia emessa, riflessa e trasmessa, che viene raccolta e focalizzata su un rivelatore. L'elettronica dell'unità traduce le informazioni in una lettura di temperatura, che viene visualizzata. I laser sono utilizzati per assistere il puntamento.

Caratteristiche tecniche

Gamma di temperature.....	da -58°F a 2192°F (da -50°C a 1200°C)
Rapporto tra Distanza e Punto.....	da 30 a 1
Accuratezza di misurazione.....	-58°F ~68°F (50°C ~20°C): ±4.5°F (2,5°C) 68°F ~1472°F (20°C ~800°C) ±1,0% o ±1.8°F (1,0°C)
Ripetibilità.....	-58°F ~68°F (50°C ~20°C): ±2.3°F (1,3°C) 68°F ~1472°F (20°C ~800°C) ±0,5% o ±0.9°F (0,5°C)
Tempo di risposta.....	150 ms
Risposta spettrale.....	8~14um
Emissività.....	Regolabile, 0,10 - 1,00
Indicazione di gamma superata.....	LCD mostrerà "----"
Laser a diodo.....	Uscita <1 mW, Lunghezza d'onda 630~670nm, Prodotto Laser Classe 2
Display Temperatura.....	Temperatura attuale, Temperatura MAX
Unità di misura.....	Fahrenheit, Centigradi
Temperatura d'esercizio.....	da 32°F a 122°F (da 0°C a 50°C)
Temperatura di conservazione.....	da 14°F a 140°F (da -10°C a 60°C)
Risoluzione del display.....	0.1°F (0,1°C)
Umidità relativa.....	10%~90% Umidità Relativa di funzio- namento, <80% Umidità Relativa di conservazione
Batterie.....	Batteria 9 V (1), NEDA 1604A o IEC 6LR61, o Equivalente
IP Rating.....	IP54
Peso.....	0.6 lbs (0,3 kg)

Caratteristiche

- Funzione di rilevamento rapido
- Mirino laser doppia classe II
- Ritenzione automatica dei dati
- Visualizza la temperatura MAX
- Misurazioni precise senza contatto
- Selezione automatica della gamma e della risoluzione dello schermo 0.1°F (0,1°C)
- Display LCD a retroilluminazione
- Blocco del grilletto
- Impostazione allarmi alti e bassi
- Emissività regolabile



Figura 1 – Termometro a infrarossi senza contatto micro IR-200

Parti

Figura 2 - Parti del micro IR-200

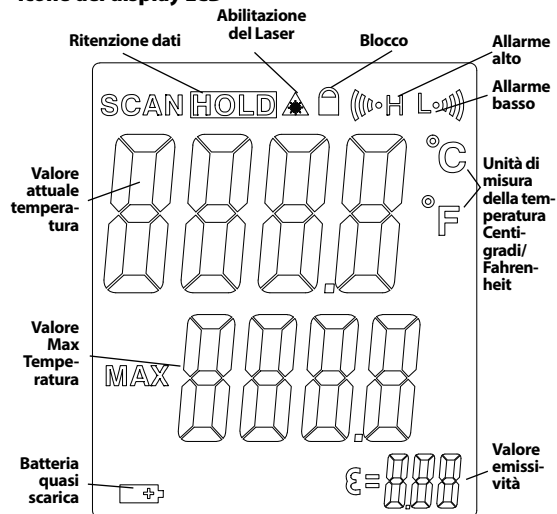
**Icone del display LCD**

Figura 3 - Icone del display del micro IR-200

Dotazione standard

- micro IR-200
- Cassetta
- Batteria 1 x 9V
- Manuale di istruzioni

NOTA Questo apparecchio è usato per fare misurazioni della temperatura. L'uso scorretto o l'applicazione inadeguata può portare a misurazioni errate o imprecise. La selezione dei metodi di misurazione appropriati per le condizioni è responsabilità dell'utente.

Classificazione laser



Il micro IR-200 RIDGID genera un raggio laser visibile che viene emesso dalla parte anteriore del dispositivo.

Il dispositivo è conforme alla classe 2 laser secondo: IEC 60825-1:2007

Dichiarazione FCC

Questo apparecchio è stato testato ed è conforme ai limiti per i dispositivi digitali di Classe B, conforme alla Parte 15 delle norme FCC. Questi limiti sono disposti per fornire una protezione ragionevole contro interferenze dannose in impianti residenziali.

Questo apparecchio genera, utilizza e irradia energia in radio frequenza, e se non è installato e utilizzato in accordo con le istruzioni, può causare interferenze dannose alle comunicazioni radio.

Tuttavia non esiste alcuna garanzia di totale assenza di interferenze in una particolare installazione.

Se questo apparecchio risulta causare interferenze dannose alla ricezione radiotelevisiva, rilevabili spegnendo e riaccendendo l'apparecchio, l'utente è invitato a risolvere questa interferenza seguendo almeno una delle seguenti misure:

- Orientare o posizionare diversamente l'antenna.
- Aumentare la distanza tra l'apparecchio e il ricevitore.
- Consultare il distributore o un tecnico specializzato per assistenza.

Compatibilità elettromagnetica (EMC)


Con il termine di compatibilità elettromagnetica si intende la capacità del prodotto di funzionare senza problemi in un ambiente in cui sono presenti radiazioni elettromagnetiche e scariche elettrostatiche senza causare interferenze elettromagnetiche ad altre apparecchiature.

NOTA Il micro IR-200 RIDGID è conforme a tutte le norme EMC applicabili. Tuttavia, la possibilità che esso causi interferenze in altri dispositivi non può essere esclusa.



Figura 4 – Rimozione del comparto della batteria

Sostituzione/Installazione delle batterie

Il micro IR-200 viene fornito senza batteria installata. Se compare l'indicatore della batteria (Figura 3),  la batteria deve essere sostituita. Rimuovere la batteria prima dell'immagazzinamento a lungo termine per evitare la fuoriuscita di liquido dalla batteria.

1. Premere le mollette della batteria e rimuovere il comparto della batteria dal termometro (Figura 4). Se necessario, rimuovere la batteria.
2. Installare la batteria alcalina da 9 V (6LR61), osservando la polarità corretta come indicato sul comparto della batteria.



Figura 5 – Portabatteria e Marcatura polarità

3. Stringere le mollette e inserirla fermamente nel termometro. Il portabatteria entra solo in una direzione. Non forzare. Verificare che sia fissato saldamente.

Ispezione prima dell'uso

⚠ AVVERTENZA

Prima di ogni utilizzo, controllare il termometro a infrarossi e eliminare gli eventuali problemi per ridurre il rischio di lesioni o misurazioni errate.

Non guardare nel raggio laser. Guardare nel raggio laser può essere pericoloso per gli occhi.

1. Pulire l'eventuale olio, grasso o sporcizia dalle apparecchiature. Questo favorisce l'ispezione.

2. Controllare se il micro IR-200 presenta parti danneggiate, usurate, mancanti, male allineate o bloccate, o qualsiasi altra condizione che possa ostacolare il sicuro e normale funzionamento.
3. Verificare che l'etichetta di avvertimento sia presente, fissa e leggibile (Figura 6).
4. Se durante l'ispezione si riscontra qualsiasi tipo di problema, non utilizzare il termometro a infrarossi finché non è stato riparato correttamente.
5. Seguendo le istruzioni di funzionamento, accendere il termometro a infrarossi, effettuare una misurazione e verificare di ottenere la stessa misura con un altro strumento (termometro a contatto, ecc.). Se la correlazione tra le misurazioni non è accettabile, non utilizzare il termometro a infrarossi fino a quando non sia stato revisionato correttamente.



Figura 6 – Etichette di avvertimento



Impostazione ed uso

⚠ AVVERTENZA



Non guardare nel raggio laser. Guardare nel raggio laser può essere pericoloso per gli occhi. Non guardare nel fascio laser con dispositivi ottici (come binocoli o telescopi).

Non dirigere il raggio laser verso altre persone. Assicurarsi che il laser sia diretto sopra o sotto il livello degli occhi. I raggi laser possono essere pericolosi per gli occhi.

Prendere le opportune precauzioni quando si lavora vicino ai componenti elettrici, in movimento o caldi. Il contatto ravvicinato può provocare scosse elettriche, aggraviamenti, ustioni e altre lesioni gravi. Possono essere richieste delle attrezzature protettive.

Configurare e azionare il termometro a infrarossi secondo queste procedure per ridurre il rischio di lesioni o misurazione errata.

Impostazione

1. Verificare che l'area di lavoro sia conforme alle caratteristiche indicate nella *Sezione di sicurezza generale*.
2. Ispezionare l'oggetto da misurare e verificare che si dispone dell'apparecchio corretto per l'applicazione. *Ved. la sezione Specifiche* per la gamma, la precisione e altre informazioni.

Esiste una varietà di fattori che possono pregiudicare la precisione del micro IR-200, compresi:

Campo di visione – Il micro IR-200 utilizza due laser per proiettare dei punti su entrambi i lati della zona da misurare. Questi punti indicano il diametro approssimato dell'area (il "punto") in cui viene misurata la temperatura. Man mano che il micro IR-200 si allontana (D) dalla superficie, la dimensione dell'area e del punto (S) aumenta. L'ampiezza dell'area corrisponde a circa $\frac{1}{30}$ volte la distanza fino alla superficie. (vedere Figura 7).

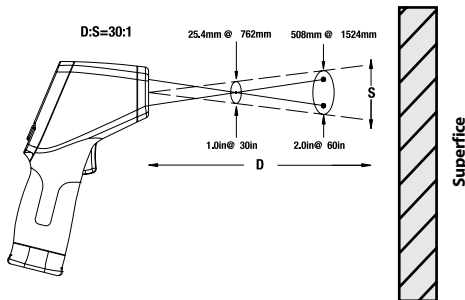


Figura 7 – Campo di visione

Il punto deve essere sempre più piccolo della superficie. Tanto più piccola è la superficie, tanto più il micro IR-200 deve essere vicino ad essa. Per la massima precisione, la superficie deve essere due volte più grande del punto.

Emissività – L'emissività è un termine usato per descrivere le caratteristiche di emissione dell'energia dei materiali e presenta un valore che va da 0 a 1. Il micro IR-200 consente regolazioni del valore dell'emissività da 0,10 a 1,00 per il calcolo delle temperature. Se la proprietà emissiva di una superficie è sconosciuta, un'emissività

di 0,95 può essere appropriata per molte applicazioni, come le superfici verniciate. I valori di emissività per i materiali comuni sono inclusi nella *Figura 8*.

Materiale	Emissività	Materiale	Emissività
Alluminio, lucidato	0.05	Vernice	0.95
Asfalto	0.88	Carta, bianca	0.90
Mattone	0.90	Intonaco, ruvido	0.89
Calcestruzzo, ruvido	0.91	Gomma	0.93
Rame, lucidato	0.04	Acciaio, zincato	0.28
Vetro	0.95	Acciaio, ossidato	0.88
Calcare	0.92	Acqua	0.96
Marmo, lucidato	0.90		

Figura 8 – Valori di emissività dei materiali comuni

Temperatura – Anche se il micro IR-200 compensa le variazioni della temperatura ambientale, grandi cambiamenti delle temperature ambientali e misurate possono ridurre la precisione. Quando si verificano significativi cambiamenti della temperatura ambiente (oltre 30°F o 17°C), lasciar passare quindici minuti per consentire al micro IR-200 di regolarsi per una maggiore precisione.

Ostacoli – Vapore, polvere, fumo e altri ostacoli come vetro o plastica tra il micro IR-200 e la superficie da misurare può diminuire la precisione. Essi ostruiscono l'ottica dell'unità o danno false letture (misurano la temperatura del vetro invece di quella della superficie). Non utilizzare se sono presenti ostacoli.

3. Verificare che l'intera apparecchiatura sia stata verificata correttamente.

Funzionamento

Accensione e spegnimento (Effettuazione di misurazioni)

1. Impugnare il micro IR-200 e puntarlo verso la superficie da misurare. Tenere lontano da qualsiasi componente elettrica, in movimento o calda. Assicurarsi che l'unità sia rivolta in una direzione sicura, lontana da eventuali presenti, prima di accenderla.

2. Premere il grilletto per ACCENDERE il micro IR-200. Quando il grilletto è premuto, l'icona della SCANSIONE è accesa, e il micro IR-200 aggiorna continuamente il valore visualizzato della temperatura attuale e visualizza il valore massimo della temperatura da quando l'unità è stata accesa.

Il micro IR-200 può essere spostato lentamente sulla superficie per individuare le zone calde o fredde. *Vedere le sezioni Allarme alto e Allarme basso* per le informazioni sulle impostazioni dell'allarme alto e basso.

3. Quando si rilascia il grilletto, l'icona HOLD sarà ACCESA. Il micro IR-200 si spegne automaticamente dopo sette secondi a meno che l'apparecchio non sia in modalità di Misurazione Continua.

Comandi del micro IR-200



Figura 9 – Display/Pulsanti del micro IR-200

Modalità di Misurazione Continua (Scansione)

Il micro IR-200 può essere bloccato ACCESO per permettere le misurazioni senza tenere premuto il grilletto. Assicurarsi che l'unità sia rivolta in una direzione sicura, lontana da eventuali persone presenti, prima di accenderla. Accendere il micro IR-200 premendo e tenendo premuto il grilletto. Tenendo premuto il grilletto, premere e rilasciare il pulsante del menu. Le icone SCAN e Blocco saranno ACCESE. Rilasciare il grilletto e il micro IR-200 aggiornerà continuamente la temperatura misurata fino a quando il grilletto non viene premuto e rilasciato nuovamente.

Laser Abilitato/Disabilitato

Se necessario, il laser usato per il puntamento può essere spento per contribuire a conservare la durata della batteria. Se questo viene fatto, deve essere usata un'attenzione supplementare quando si punta il micro IR-200 per garantire buone letture. Per attivare o disattivare, tenendo premuto il grilletto, premere e rilasciare il pulsante di attivazione del laser. L'icona Attiva laser deve essere accesa quando il laser è attivato.

Retroilluminazione

Se lo si utilizza in una zona a basso illuminazione, il micro IR-200 è dotato di un display retroilluminato. Per accendere e spegnere la retroilluminazione, premere il pulsante di retroilluminazione con l'unità accesa.

Uso del pulsante menu

Dopo aver stretto il grilletto, la pressione e il rilascio del pulsante del menu permetterà di scorrere tra le seguenti impostazioni in questo ordine: Allarme alto ON/OFF, Impostazione allarme alta temperatura, Allarme basso ON/OFF, Impostazione allarme bassa temperatura, Unità di visualizzazione della temperatura, Emissività.

Allarme alto

Allarme alto emetterà un segnale acustico quando la temperatura attuale supera un limite prefissato. Per attivare l'allarme alto, premere e rilasciare il grilletto e quindi premere e rilasciare il pulsante del menu fino a quando l'icona di allarme alto lampeggia. Utilizzare i pulsanti su/giù per attivare/spegnere la funzione di allarme alto, come indicato nella riga del valore di temperatura attuale. Premere e rilasciare nuovamente il pulsante menu. L'icona di Allarme alto continuerà a lampeggiare, e comparirà la temperatura di Allarme alto. Utilizzare i pulsanti su/giù per modificare la temperatura di Allarme alto come desiderato. Premere il grilletto per uscire dalla modalità di impostazione e salvare la selezione.

Allarme basso

Allarme basso emetterà un segnale acustico quando la temperatura attuale scende sotto un limite prefissato. Per attivare l'allarme basso, premere e rilasciare il grilletto e quindi premere e rilasciare il pulsante del menu fino a quando l'icona di allarme basso lampeggia. Utilizzare i pulsanti su/giù per attivare/spegnere la funzione di allarme basso, come indicato nella riga del valore di temperatura attuale. Premere e rilasciare nuovamente il pulsante menu. L'icona di Allarme basso continuerà a lampeggiare, e comparirà la temperatura di Allarme basso. Utilizzare i pulsanti su/giù per modificare la temperatura di Allarme basso come desiderato. Premere il grilletto per uscire dalla modalità di impostazione e salvare la selezione.

Unità di misura temperatura del display - °C/°F

Il micro IR-200 può visualizzare la temperatura in gradi Centigradi (C) o Fahrenheit (F). Per cambiare l'unità di misura del display, premere e rilasciare il grilletto e quindi premere e rilasciare il pulsante menu fino a quando l'unità di temperatura sul display lampeggia. Utilizzare i tasti su/giù per passare da C o F come desiderato. Premere il grilletto per uscire dalla modalità di impostazione e salvare la selezione.

Emissività

Il valore dell'emissività può essere impostato da 0,10 a 1,00. Consultare la sezione Configurazione per stabilire un valore appropriato per l'applicazione in dotazione. Per regolare questo valore, stringere e rilasciare il grilletto, quindi premere e rilasciare il pulsante del menu fino a quando il valore dell'emissività sullo schermo lampeggerà. Usare i pulsanti su/giù per aumentare o diminuire il valore dell'emissività. Stringere il grilletto per uscire dalla modalità Impostazioni e salvare la selezione.

Pulizia

Non immergere il Termometro a infrarossi senza contatto micro IR-200 RIDGID in acqua. Rimuovere la sporcizia con un panno morbido umido. Non utilizzare detergenti o soluzioni aggressivi. Trattare lo strumento come se fosse un telescopio o una fotocamera.

Conservazione

Il Termometro a infrarossi micro IR-200 RIDGID deve essere conservato in un luogo asciutto e sicuro tra 14°F (-10°C) e 140°F (60°C).

Conservare lo strumento in una zona chiusa a chiave, fuori dalla portata dei bambini e delle persone che non hanno familiarità con il micro IR-200.

Rimuovere la batteria prima di ogni lungo periodo di immagazzinamento o della spedizione per evitare perdite dalla batteria.

Assistenza e riparazione

▲ AVVERTENZA

Interventi inadeguati di manutenzione o riparazione possono rendere insicuro il funzionamento del Termometro a infrarossi micro IR-200 RIDGID.

Gli interventi di servizio e riparazione di micro IR-200 vanno effettuati da un centro di assistenza indipendente autorizzato RIDGID.

Per informazioni sul centro di assistenza indipendente RIDGID più vicino o qualsiasi domanda su manutenzione o riparazione:

- Contattare il proprio distributore RIDGID.
- Per trovare il punto di contatto Ridge Tool locale, visitare il sito web RIDGID.com.
- Contattare il Reparto Assistenza Tecnica di Ridge Tool inviando una e-mail all'indirizzo rtctechservices@emerson.com oppure, negli Stati Uniti e in Canada, chiamare il numero +1-800-519-3456.

Smaltimento

Alcune parti del Termometro a infrarossi senza contatto micro IR-200 RIDGID contengono materiali utili che possono essere riciclati. Nella propria zona potrebbero esservi aziende specializzate nel riciclaggio. Smaltire i componenti in conformità con tutte le normative in vigore. Contattare l'autorità locale di gestione dello smaltimento per maggiori informazioni.



Per i Paesi CE: Non smaltire l'apparecchio elettrico con i rifiuti domestici!

Secondo la direttiva 2012/19/EU sullo smaltimento di apparecchiature elettriche ed elettroniche e la sua implementazione nella legislazione nazionale, le apparecchiature elettriche che non sono più utilizzabili devono essere raccolte separatamente e smaltite in modo ecocompatibile.

Smaltimento batteria

Per i Paesi CE: Le batterie difettose o usate devono essere riciclate in ottemperanza alla direttiva 2012/19/EU.

micro IR-200

micro IR-200 Termómetro de Infravermelhos Portátil



AVISO

Leia cuidadosamente este manual do operador antes de utilizar esta ferramenta. A não compreensão e observância do conteúdo deste manual pode resultar em choque eléctrico, fogo, e/ou lesões pessoais graves.

Termómetro de Infravermelhos Portátil micro IR-200

Registe o número de série e retenha o número de série do produto localizado na placa de nome.

N.º
de Série

Índice

Formulário de Registo do Número de Série da Máquina	83
Símbolos de Segurança	85
Regras Gerais de Segurança	86
Segurança da Área de Trabalho	86
Segurança Eléctrica	86
Segurança Pessoal.....	86
Utilização e manutenção do equipamento.....	86
Assistência.....	87
Informações Específicas de Segurança	87
Segurança do Termómetro de Infravermelhos	87
Descrição, especificações e equipamento standard	87
Descrição	87
Especificações.....	88
Peças	89
Ícones do Visor LCD	89
Equipamento Standard	89
Classificação laser	90
Declaração FCC	90
Compatibilidade Electromagnética (EMC)	90
Substituir/Colocar Pilhas	90
Inspecção antes da Colocação em Funcionamento	91
Configuração e Funcionamento	92
Preparação	92
Funcionamento	93
Ligar (ON) e Desligar (OFF) (Efectuar Medições)	93
Controlos do micro IR-200	93
Modo de Medição Contínua (Varrimento).....	94
Laser Activado/Desactivado.....	94
Retroluminação	94

Utilização do Botão do Menu	94
Alarme Alto	94
Alarme Baixo	94
Unidades de Exibição da Temperatura - °C/°F	94
Emissividade.....	95

Limpeza	95
----------------------	----

Armazenamento	95
----------------------------	----

Assistência e Reparação	95
--------------------------------------	----

Eliminação	95
-------------------------	----

Eliminação das Pilhas	95
------------------------------------	----

Declaração de Conformidade CE	Contracapa interior
--	---------------------

Garantia Vitalícia	Contracapa
---------------------------------	------------

* Tradução do manual original

Símbolos de Segurança

Neste manual de operador e no produto são utilizados símbolos de segurança e palavras de advertência para comunicar informações de segurança importantes. Esta secção é fornecida para melhorar a compreensão das palavras e símbolos de advertência.



Este é o símbolo de alerta de segurança. É utilizado para alertar quanto a potenciais perigos de ferimentos pessoais. Respeite todas as mensagens de segurança que se seguem a este símbolo para evitar possíveis ferimentos ou morte.



PERIGO PERIGO indica uma situação perigosa que, se não for evitada, resultará em morte ou ferimento grave.



AVISO AVISO indica uma situação perigosa que, se não for evitada, poderá resultar em morte ou ferimento grave.



ATENÇÃO ATENÇÃO indica uma situação perigosa que, se não for evitada, poderá resultar em ferimentos ligeiros a moderados.



NOTA NOTA indica informações relacionadas com a protecção de propriedade.



Este símbolo significa que deve ler o manual do operador cuidadosamente antes de utilizar o equipamento. O manual do operador contém informações importantes sobre o funcionamento seguro e adequado do equipamento.



Este símbolo significa que este aparelho contém um Laser de Classe 2.



Este símbolo significa que não deve olhar directamente para o feixe laser.



Este símbolo avisa da presença e do perigo de um feixe laser.

Regras Gerais de Segurança

▲ AVISO

Leia todos os avisos de segurança e todas as instruções. A não observância dos avisos e instruções pode resultar em choque eléctrico, fogo e/ou ferimentos graves.

GUARDE ESTAS INSTRUÇÕES!

A declaração de conformidade CE (890-011-320.10) acompanhará este manual como um folheto separado, quando necessário.

Segurança da Área de Trabalho

- **Mantenha a sua área de trabalho limpa e bem iluminada.** Áreas desarrumadas ou mal iluminadas podem provocar acidentes.
- **Não utilize o equipamento em atmosferas explosivas, tal como na presença de líquidos, gases ou poeiras inflamáveis.** O equipamento pode criar faíscas que podem inflamar a poeira ou gás.
- **Mantenha crianças e visitantes fora do alcance enquanto utiliza o equipamento.** As distrações podem fazê-lo perder o controlo.

Segurança Eléctrica

- **Evite o contacto corporal com superfícies ligadas à terra, tais como tubos, radiadores, fogões e frigoríficos.** O risco de choque eléctrico aumenta se o seu corpo estiver ligado à terra.
- **Não exponha o equipamento à chuva ou a condições de humidade.** O risco de choque eléctrico aumenta com a entrada de água no equipamento.

Segurança Pessoal

- **Mantenha-se alerta, atento ao que está a fazer, e use o bom senso ao utilizar o equipamento. Não utilize o equipamento se estiver cansado ou sob a influência de drogas, álcool ou medicamentos.** Um momento de desatenção durante a utilização do equipamento pode resultar em lesões pessoais graves.

- **Use equipamento de protecção pessoal.** Utilize sempre protecção para os olhos. O equipamento de protecção, como máscaras para o pó, calçado de segurança antiderrapante, capacete ou protecção auricular utilizado nas condições apropriadas, reduz a ocorrência de lesões pessoais.
- **Não se debruce com a ferramenta para além do espaço em que se encontra equilibrado. Mantenha uma colocação de pés adequada e o equilíbrio em todos os momentos.** Isso permite um melhor controlo da ferramenta eléctrica em situações inesperadas.

Utilização e manutenção do equipamento

- **Não force o equipamento. Utilize o equipamento correcto para a sua aplicação.** O equipamento correcto fará sempre um trabalho melhor e mais seguro à velocidade para que foi concebido.
- **Não utilize o equipamento se o interruptor não o ligar (ON) e desligar (OFF).** Uma ferramenta eléctrica que não possa ser controlada com o interruptor é perigosa e tem de ser reparada.
- **Desligue as pilhas do equipamento antes de efectuar quaisquer ajustes, alterar acessórios ou armazenar.** Estas medidas de prevenção reduzem o risco de acidentes.
- **Guarde os equipamentos que não estejam em utilização fora do alcance das crianças e não permita que pessoas não familiarizadas com o equipamento ou as respectivas instruções utilizem o equipamento.** Os equipamentos são perigosos nas mãos de utilizadores sem formação.
- **Manutenção do equipamento.** Verifique quanto ao mau alinhamento ou bloqueio de peças móveis, peças em falta, danos materiais de peças e quaisquer outras condições que possam afectar o funcionamento do equipamento. Se o equipamento estiver danificado, envie-o para reparação antes de o utilizar. Muitos acidentes são causados por equipamentos afectados por má manutenção.
- **Utilize o equipamento e acessórios de acordo com estas instruções, tendo em conta as condições de trabalho e o trabalho a realizar.** A utilização do equipamento para fins não previstos podem resultar em situações perigosas.
- **Utilize apenas os acessórios recomendados pelo fabricante para o**

seu equipamento. Acessórios adequados para um equipamento podem tornar-se perigosos quando utilizados noutro equipamento.

- **Mantenha as pegas secas e limpas; livres de óleo e gordura.** Tal permite um melhor controlo do equipamento.

Assistência

- **O equipamento deve ser reparado por um técnico qualificado, utilizando apenas peças sobresselentes idênticas.** Isso garante que a ferramenta se mantém segura.

Informações Específicas de Segurança

▲ AVISO

Esta secção contém informações de segurança importantes específicas desta ferramenta.

Leia estas precauções cuidadosamente antes de utilizar o Termómetro de Infravermelhos Portátil micro IR-200 da RIDGID® para reduzir o risco de incêndio, explosão ou outros ferimentos pessoais graves.

GUARDE ESTAS INSTRUÇÕES!

Guarde este manual juntamente com a máquina para utilização pelo operador.

Segurança do Termómetro de Infravermelhos

- **Não olhe directamente para o feixe laser.** Olhar directamente para o feixe laser pode ser perigoso para os olhos. Não olhe para o feixe laser com auxiliares ópticos (tais como binóculos ou telescópios).
- **Não direcione o feixe laser para outras pessoas.** Certifique-se de que o laser está apontado acima ou abaixo do nível dos olhos. Os feixes laser podem ser perigosos para os olhos.
- **Não utilize este dispositivo para realizar inspecções pessoais ou para quaisquer fins médicos.** Este não é um dispositivo médico. Esta acção pode causar ferimentos pessoais.

- **Tome precauções adequadas ao trabalhar próximo de peças eléctricas, móveis ou quentes.** O contacto próximo pode causar choque eléctrico, risco de ficar preso, queimaduras e outros ferimentos graves. Pode ser necessário equipamento de protecção.

▲ ATENÇÃO A utilização de controlos ou ajustes ou o desempenho de procedimentos para além dos especificados aqui pode resultar em exposição a radiação perigosa.

Se tiver alguma questão relativamente a este produto RIDGID®:

- Contacte o seu distribuidor local da RIDGID.
- Visite RIDGID.com para encontrar o seu ponto de contacto RIDGID.
- Contacte o Departamento de Assistência Técnica da Ridge Tool pelo endereço de correio eletrónico rttechservices@emerson.com, ou no caso dos E.U.A e Canadá, ligue para (800) 519-3456.

Descrição, especificações e equipamento standard

Descrição

O Termómetro de Infravermelhos Portátil micro IR-200 da RIDGID® proporciona leituras de temperatura da superfície simples, rápidas e precisas com um simples pressionar de um botão. Simplesmente aperte o gatilho e aponte para os lasers duplos de classe II ultra-precisos à superfície que está a medir. O micro IR-200 proporciona uma medição imediata da temperatura num visor LCD fácil de ler e com retroiluminação. Para além de inúmeras outras utilizações, este instrumento resistente e compacto permite ao comerciante profissional diagnosticar problemas de aquecimento e de ventilação, efectuar uma supervisão preventiva dos motores eléctricos e dos sistemas, resolver problemas com purgadores automáticos e verificar rapidamente fusíveis ou disjuntores relativamente a sobreaquecimento sem contacto.

O micro IR-200 utiliza a óptica para detectar a energia emitida, reflectida e transmitida energia, que é recolhida e centrada num detector. A electrónica da unidade traduz a informação numa leitura da temperatura, que é exibida. Utilizam-se lasers para ajudar a apontar.

Especificações

Intervalo da temperatura.....	-58°F a 2192°F (-50°C a 1200°C)
Relação da Distância ao Ponto.....	30 para 1
Precisão de medição.....	-58°F ~68°F (50°C ~20°C): ±4.5°F (2,5°C) 68°F ~1472°F (20°C ~800°C) ±1,0% ou ±1.8°F (1,0°C)
Repetibilidade.....	-58°F ~68°F (50°C ~20°C): ±2.3°F (1,3°C) 68°F ~1472°F (20°C ~800°C) ±0,5% ou ±0.9°F (0,5°C)
Tempo de resposta.....	150 ms
Resposta Espectral.....	8~14 um
Emissividade.....	Ajustável, 0,10 - 1,00
Indicação de Acima do Alcance.....	LCD exibirá "----"
Laser de Diodo.....	Saída <1 mW, Comprimento de onda 630~670 nm, Produto Laser de Classe 2
Exibição da Temperatura.....	Temperatura Actual, Temperatura MÁX.
Unidades de Medição.....	Fahrenheit, Centígrados
Temperatura de funcionamento.....	32°F a 122°F (0°C a 50°C)
Temperatura de armazenamento.....	14°F a 140°F (-10°C a 60°C)
Resolução do visor.....	0.1°F (0,1°C)
Humidade Relativa.....	10%~90% HR Funcionamento, <80% HR Armazenamento
Pilhas.....	Pilha de 9V (1), NEDA 1604A ou CEI 6LR61, ou Equivalente
Classificação IP.....	IP54
Peso.....	0.6 lbs (0,3 kg)

Características

- Função de Detecção Rápida
- Mira do Laser Duplo de Classe II
- Manutenção Automática de Dados
- Exibições de temperaturat MÁX
- Medições Portáteis Precisas
- Alcance de Selecção Automática e Resolução do Visor 0.1°F (0,1°C)
- Visor LCD com Retro-iluminação
- Bloqueio do Gatilho
- Definição de Alarmes Alto e Baixo
- Emissividade Ajustável



Figura 1 – Termómetro de Infravermelhos Portátil micro IR-200

Peças



Figura 2 – Peças do micro IR-200



Ícones do Visor LCD

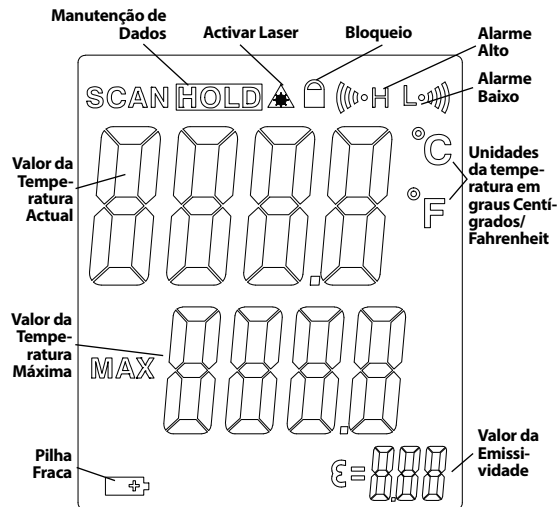


Figura 3 – Ícones do visor do micro IR-200

Equipamento Standard

- micro IR-200
- Caixa de transporte
- Pilha 1 x 9V
- Manual do Operador

NOTA Utiliza-se este equipamento para efectuar medições da temperatura. A utilização incorrecta ou a aplicação inadequada pode resultar em medições incorrectas ou imprecisas. A selecção dos métodos de medição apropriados às condições é da responsabilidade do utilizador.

Classificação laser



O micro IR-200 da RIDGID gera um feixe de laser visível que é emitido a partir da parte frontal do aparelho.

O aparelho está em conformidade com os lasers de classe 2 de acordo com: IEC 60825-1:2007

Declaração FCC

Este equipamento foi testado e encontra-se em conformidade com os limites para um dispositivo digital da Classe B, de acordo com a parte 15 das Regras FCC. Estes limites são concebidos para proporcionar uma protecção razoável contra interferências prejudiciais em instalações residenciais.

Este equipamento gera, utiliza e pode emitir energia de radiofrequência e, se não for instalado e utilizado de acordo com as instruções, pode causar interferência prejudicial em comunicações por rádio.

Porém, não há garantia de que a interferência não ocorra em determinada instalação.

Se este equipamento causar interferência na recepção de comunicação por rádio ou de televisão, o que pode ser determinado desligando e ligando o equipamento, o utilizador deverá corrigir a interferência adoptando uma ou mais das seguintes medidas:

- Oriente novamente ou coloque a antena de recepção noutra local.
- Aumente a distância entre o equipamento e o receptor.
- Consulte o seu agente ou um técnico de rádio/TV experiente para obter ajuda.

Compatibilidade Electromagnética (EMC)

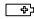
O termo compatibilidade electromagnética significa a capacidade do produto funcionar suavemente num ambiente onde a radiação electromagnética e as descargas electrostáticas estão presentes e não causem interferência electromagnética noutra equipamento.

NOTA O micro IR-200 da RIDGID está em conformidade com as normas EMC aplicáveis. Contudo, a possibilidade deste causar interferência noutros aparelhos não pode ser excluída.



Figura 4 – Remoção do compartimento da pilha

Substituir/Colocar Pilhas

O micro IR-200 é fornecido com pilhas instaladas. Se o indicador da pilha (Figura 3) exibir , a pilha precisa de ser substituída. Retire a pilha antes do armazenamento por um longo período de tempo para evitar fugas na pilha.

1. Aperte as molas da pilha e retire o compartimento da pilha do termómetro (Figura 4). Se necessário, retire a pilha.

2. Instale a pilha alcalina de 9V (6LR61), respeite a polaridade correcta como indicado no compartimento da pilha.



Figura 5 – Suporte da Pilha e Marcação da Polaridade

3. Aperte as molas e introduza firmemente no termómetro. O suporte só entrará numa direcção. Não force. Confirme se está bem seguro.

Inspecção antes da Colocação em Funcionamento

⚠ AVISO

Antes de cada utilização, verifique o seu termómetro de infravermelhos e corrija quaisquer problemas para reduzir o risco de ferimentos ou medições incorrectas.

Não olhe directamente para o feixe laser. Olhar directamente para o feixe laser pode ser perigoso para os olhos.

1. Limpe qualquer óleo, massa lubrificante ou sujidade existente no equipamento. Isto facilita a inspecção.

2. Inspecione se o micro IR-200 tem peças partidas, em falta, gastas, desalinhasadas ou coladas, ou qualquer outra condição que possa impedir o seu funcionamento normal e seguro.
3. Verifique se os rótulos de aviso estão presentes, presos firmemente e legíveis (*Figure 6*).
4. Caso detecte qualquer problema durante a inspecção, não utilize o termómetro de infravermelhos até este ter sido devidamente reparado.
5. Seguindo as Instruções de Funcionamento, ligue o termómetro de infravermelhos, efectue uma medição e confirme a mesma medição com outro instrumento (termómetro de contacto, etc.). Se a correlação entre as medições não for aceitável, não utilize o termómetro de infravermelhos até estar devidamente reparado.



Figura 6 – Rótulos de aviso



Configuração e Funcionamento

⚠ AVISO



Não olhe directamente para o feixe laser. Olhar directamente para o feixe laser pode ser perigoso para os olhos. Não olhe para o feixe laser com auxiliares ópticos (tais como binóculos ou telescópios).

Não direcione o feixe laser para outras pessoas. Certifique-se de que o laser está apontado acima ou abaixo do nível dos olhos. Os feixes laser podem ser perigosos para os olhos.

Tome precauções adequadas ao trabalhar próximo de peças eléctricas, móveis ou quentes. O contacto próximo pode causar choque eléctrico, risco de ficar preso, queimaduras e outros ferimentos graves. Pode ser necessário equipamento de protecção.

Prepare e utilize o termómetro de infravermelhos de acordo com estes procedimentos para reduzir o risco de ferimentos ou de medições incorrectas.

Preparação

1. Procure uma área de trabalho apropriada conforme indicado na *Secção de Regras de Segurança Gerais*.
2. Inspeccione o objecto a ser medido e confirme se dispõe de equipamento correcto para a aplicação. Consulte a *secção de Especificações* relativamente ao alcance, precisão e outras informações.

Existe uma variedade de factores que podem afectar a precisão do micro IR-200, incluindo:

Campo de visão – O micro IR-200 utiliza dois lasers para projectar pontos de ambos os lados da área a ser medida. Estes pontos indicam o diâmetro aproximado da área (o "Ponto") em que a tempe-

ratura está a ser medida. À medida que o micro IR-200 se distancia (D) da superfície, aquela área e o tamanho do ponto (S) aumentam. A área é aproximadamente $\frac{1}{30}$ vezes a distância até à superfície. (Veja a Figura 7.)

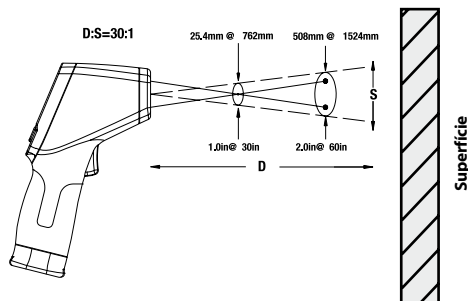


Figura 7 – Campo de visão

O ponto deve ser sempre menor do que a superfície. Quanto menor for a superfície, mais próximo o micro IR-200 deve estar da superfície. Para obter a melhor precisão, a superfície deve ter o dobro do tamanho do ponto.

Emissividade – Emissividade é um termo utilizado para descrever características de emissão de energia dos materiais e tem um intervalo de valor de 0 a 1. O micro IR-200 permite regular o valor da emissividade de 0,10 até 1,00 para calcular temperaturas. Desconhece-se a propriedade emissiva de uma superfície. Uma emissividade de 0,95 pode ser adequada para muitas aplicações, como superfícies pintadas. Na *Figura 8* estão incluídos os valores de emissividade para materiais comuns.

Material	Emissividade	Material	Emissividade
Alumínio, polido	0,05	Tinta	0,95
Asfalto	0,88	Papel, branco	0,90
Tijolo	0,90	Argamassa, dura	0,89
Betão, duro	0,91	Borracha	0,93
Cobre, polido	0,04	Aço, galvanizado	0,28
Vidro	0,95	Aço, oxidado	0,88
Calcário	0,92	Água	0,96
Mármore, polido	0,90		

Figura 8 – Valores de Emissividade de Materiais Comuns

Temperatura – Enquanto o micro IR-200 compensa a variação da temperatura ambiente, as alterações significativas na temperatura ambiente e na temperatura medida podem reduzir precisão. Quando se verificam mudanças significativas na temperatura ambiente (mais de 30°F ou 17°C), espere quinze minutos para o micro IR-200 ajustar para uma melhor precisão.

Obstruções – O vapor, a poeira, o fumo e outras obstruções, como vidro ou plástico, entre o micro IR-200 e a superfície a ser medida podem diminuir a precisão. Obstruem a óptica da unidade ou dão leituras falsas (meça a temperatura do vidro em vez da superfície). Não utilize quando estiverem presentes obstruções.

3. Assegure-se de que todo o equipamento foi inspeccionado correctamente.

Funcionamento

Ligar (ON) e Desligar (OFF) (Efectuar Medições)

1. Segure o micro IR-200 pelo punho e aponte-o para a superfície a ser medida. Mantenha longe de quaisquer peças eléctricas, móveis ou quentes. Certifique-se de que a unidade está apontada para uma direcção segura para longe de pessoas antes de o ligar.

2. Aperte o gatilho e ligue o micro IR-200. Quando o gatilho é apertado, o ícone de SCAN estará ligado e o micro IR-200 actualizará continuamente o valor da temperatura actual exibida e apresenta o valor da temperatura máxima desde que a unidade foi ligada.

O micro IR-200 pode ser movido lentamente sobre a superfície para localizar áreas quentes ou frias. Consulte as secções de *Alarme Alto* e *Alarme Baixo* para obter informações sobre as definições de alarme alto e baixo.

3. Quando o gatilho é libertado, o ícone HOLD estará ligado. O micro IR-200 desligará automaticamente após sete segundos, excepto se a unidade estiver no modo de Medição Contínua.

Controlos do micro IR-200



Figura 9 – Botões/Visor do micro IR-200

Modo de Medição Contínua (Varrimento)

O micro IR-200 pode ser bloqueado ligado permitir medições sem pressionar o gatilho. Certifique-se de que a unidade está apontada para uma direcção segura para longe de pessoas antes de o ligar. Ligue o micro IR-200 apertando e pressionando o gatilho. Enquanto segura o gatilho, pressione e liberte o botão do menu. Os ícones de SCAN e de Bloqueio estarão ligados. Liberte o gatilho, e o micro IR-200 actualizará continuamente a temperatura medida até que o interruptor do gatilho seja apertado e libertado novamente.

Laser Activado/Desactivado

Se necessário, os lasers utilizados para apontar podem ser desligados para ajudar a conservar a vida útil da pilha. Se isto for feito, deve ter-se cuidado adicional ao apontar o micro IR-200 para garantir boas leituras. Para activar ou desactivar, enquanto aperta o gatilho, pressione e liberte o botão de activação do laser. O ícone de Activar Laser ficará ligado quando o laser for activado.

Retroiluminação

Se utilizar o micro IR-200 numa área pouco iluminada, este está equipado com retroiluminação do visor. Para ligar e desligar a retroiluminação, com a unidade ligada, pressione o botão da retroiluminação.

Utilização do Botão do Menu

Após apertar o gatilho, pressionar e libertar o botão do menu permitir-lhe-á percorrer as definições seguintes por esta ordem: Alarme Alto ON/OFF (ligado/desligado), Definição da Temperatura do Alarme Alto, Alarme Baixo ON/OFF (ligado/desligado), Definição da Temperatura do Alarme Baixo, Unidades de Exibição da Temperatura, Emissividade.

Alarme Alto

O Alarme Alto emitirá um som quando a temperatura actual exceder um limite predefinido. Para ligar o Alarme Alto, aperte e liberte o gatilho, e então pressione e liberte o botão do menu até que o ícone de Alarme Alto fique a piscar. Utilize os botões para cima/para baixo para ligar/desligar a função de Alarme Alto como indicado na linha do valor da temperatura actual. Pressione e liberte o botão do menu novamente. O ícone de Alarme Alto continuará a piscar, e a temperatura do Alarme Alto aparecerá. Utilize os botões para cima/para baixo para alterar a temperatura do Alarme Alto conforme pretender. Aperte o gatilho para sair do modo de Definições e guardar a sua selecção.

Alarme Baixo

O Alarme Baixo emitirá um som quando a temperatura actual descer abaixo de um limite predefinido. Para ligar o Alarme Baixo, aperte e liberte o gatilho, e então pressione e liberte o botão do menu até que o ícone de Alarme Baixo fique a piscar. Utilize os botões para cima/para baixo para ligar/desligar a função de Alarme Baixo como indicado na linha do valor da temperatura actual. Pressione e liberte o botão do menu novamente. O ícone de Alarme Baixo continuará a piscar, e a temperatura do Alarme Baixo aparecerá. Utilize os botões para cima/para baixo para alterar a temperatura do Alarme Baixo conforme pretender. Aperte o gatilho para sair do modo de Definições e guardar a sua selecção.

Unidades de Exibição da Temperatura - °C/°F

O micro IR-200 pode exibir temperaturas em graus Centígrados (C) ou Fahrenheit (F). Para mudar a unidade de exibição, aperte e liberte o gatilho, e então pressione e liberte o botão do menu até a unidade da temperatura no ecrã ficar a piscar. Utilize os botões para cima/para baixo para alternar entre °C ou °F como pretender. Aperte o gatilho para sair do modo de Definições e guardar a sua selecção.

Emissividade

Pode definir-se o valor da emissividade de 0,10 até 1,00. Veja a secção Configuração para determinar um valor adequado para a sua aplicação. Para regular este valor, aperte e liberte o gatilho e, em seguida, pressione e liberte o botão do menu até o valor da emissividade no ecrã ficar a piscar. Utilize os botões para cima/para baixo, para aumentar ou diminuir o valor da emissividade. Aperte o gatilho para sair do modo de Definições e guardar a sua selecção.

Limpeza

Não mergulhe o Termómetro de Infravermelhos Portátil micro IR-200 da RIDGID em água. Limpe a sujidade com um pano macio humedecido. Não use agentes nem soluções de limpeza agressivos. Manuseie o instrumento como se tratasse de um telescópio ou de uma câmara.

Armazenamento

O Termómetro de Infravermelhos micro IR-200 da RIDGID deve ser armazenado numa área seca e segura entre os 14°F (-10°C) e os 140°F (60°C).

Guarde a ferramenta numa zona segura, longe do alcance de crianças e pessoas não familiarizadas com o micro IR-200.

Retire a pilha antes de qualquer período longo de armazenamento ou de qualquer envio para evitar que a pilha varta.

Assistência e Reparação

▲ AVISO

A assistência ou reparação inadequadas podem tornar o Termómetro de Infravermelhos Portátil micro IR-200 da RIDGID inseguro para utilização.

O serviço e a reparação do micro IR-200 devem ser efetuados por um Centro de Serviço Independente Autorizado pela RIDGID.

Para informações sobre o Centro de Serviço Independente Autorizado da RIDGID mais próximo, ou para questões sobre serviço e reparação:

- Contacte o seu distribuidor local da RIDGID.
- Visite RIDGID.com para encontrar o seu ponto de contacto Ridge Tool.
- Contacte o Departamento de Assistência Técnica da Ridge Tool pelo endereço de correio eletrónico rtctechservices@emerson.com, ou no caso dos E.U.A e Canadá, ligue para (800) 519-3456.

Eliminação

As peças do Termómetro de Infravermelhos Portátil micro IR-200 da RIDGID contêm materiais valiosos e podem ser recicladas. Existem empresas que se especializam na reciclagem que podem ser encontradas localmente. Elimine os componentes em conformidade com todos os regulamentos aplicáveis. Contacte as autoridades locais de gestão dos resíduos para mais informações.



Nos países da CE: Não elimine o equipamento eléctrico juntamente com o lixo doméstico!

De acordo com a Directiva Europeia 2012/19/EU relativa aos resíduos de equipamentos eléctricos e electrónicos a as suas transposições para as legislações nacionais, o equipamento eléctrico em final de vida útil deve ser recolhido em separado e eliminado de forma ambientalmente correcta.

Eliminação das Pilhas

Nos países da CE: As pilhas defeituosas ou usadas devem ser recicladas de acordo com a Directiva 2012/19/EU.

micro IR-200

micro IR-200 Kontaktfri infraröd termometer



VARNING

Läs den här bruksanvisningen noggrant innan du använder verktyget. Om du använder verktyget utan att förstå eller följa innehållet i bruksanvisningen finns risk för elchock, brand och/eller personsador.

micro IR-200 Kontaktfri infraröd termometer

Anteckna serienumret nedan, och spara produktens serienummer som sitter på märkskylten.

Serienr .

Innehåll

Registreringsformulär för maskin med serienummer	97
Säkerhetssymboler	99
Allmänna säkerhetsföreskrifter	100
Säkerhet på arbetsområdet	100
Elsäkerhet	100
Personlig säkerhet	100
Användning och skötsel av utrustningen	100
Service	101
Särskild säkerhetsinformation	101
Säkerhet vid användning av infraröda termometrar	101
Beskrivning, specifikationer och standardutrustning	101
Beskrivning	101
Specifikationer	102
Delar	103
Ikoner på LCD-displayen	103
Standardutrustning	103
Laserklassificering	104
FCC-information	104
Elektromagnetisk kompatibilitet (EMC)	104
Byta/Installera batterier	104
Kontroll före användning	105
Inställning och användning	106
Inställning	106
Användning	107
Starta och stänga av (Utföra mätningar)	107
Reglage på micro IR-200	107
Kontinuerlig mätning (Avsökning)	108
Laser aktiverad/inaktiverad	108
Bakgrundsbelysning	108

Menyknapparnas användning	108
Högt larm	108
Lågt larm	108
Temperaturenheter °C/°F	108
Emissivitet	109
Rengöring	109
Förvaring	109
Service och reparationer	109
Bortskaffande	109
Bortskaffande av batterier	109
EG-försäkringen om överensstämmelse	På insidan av omslagets baksida
Livstidsgaranti	Omslagets baksida

*Översättning av bruksanvisning i original

Säkerhetssymboler

I den här bruksanvisningen och på produkten används säkerhetssymboler och signalord för att kommunicera viktig säkerhetsinformation. Det här avsnittet syftar till att förbättra förståelsen av dessa signalord och symboler.



Detta är en säkerhetssymbol. Den används för att göra dig uppmärksam på risker för personskador. Rätta dig efter alla säkerhetsföreskrifter som följer efter denna symbol, för att undvika personskador eller dödsfall.



FARA FARA betecknar en farlig situation som kommer att orsaka dödsfall eller allvarliga personskador, om situationen inte undviks.



VARNING VARNING betecknar en farlig situation som kan orsaka dödsfall eller allvarliga personskador, om situationen inte undviks.



SE UPP SE UPP betecknar en farlig situation som kan orsaka lindriga eller medelsvåra personskador, om situationen inte undviks.



OBS OBS betecknar information som är avsedd att skydda materiell egendom.



Den här symbolen betyder att du ska läsa bruksanvisningen noggrant innan du använder utrustningen. Bruksanvisningen innehåller viktig information om säker och korrekt användning av utrustningen.



Den här symbolen betyder att enheten innehåller en klass 2-laser.



Den här symbolen betyder att du inte ska titta in i laserstrålen.



Den här symbolen varnar för laserstrålen och dess risker.

Allmänna säkerhetsföreskrifter

⚠ VARNING

Läs alla säkerhetsvarningar och instruktioner. Om du använder utrustningen utan att förstå eller följa anvisningarna och säkerhetsvarningarna finns risk för elchock, brand och/eller allvarliga personskador.

SPARA DESSA ANVISNINGAR!

En EG-försäkran om överensstämmelse (890-011-320.10) medföljer den här bruksanvisningen om så behövs (separat häfte).

Säkerhet på arbetsområdet

- **Håll arbetsområdet rent och väl upplyst.** Stökiga eller mörka områden gör att olyckor inträffar lättare.
- **Kör inte utrustningen i omgivningar med explosiv atmosfär, till exempel i närheten av brandfarliga vätskor, gaser eller damm.** Utrustningen kan generera gnistor som kan antända damm eller ångor.
- **Håll barn och kringstående på behörigt avstånd under drift.** Distraktion kan göra att du förlorar kontrollen.

Elsäkerhet

- **Undvik kroppskontakt med jordade ytor, t.ex. rör, element, spisar och kylar.** Risken för elchock ökar om din kropp är jordad.
- **Utsätt inte utrustningen för regn eller väta.** Om vatten kommer in i utrustningen ökar risken för elchock.

Personlig säkerhet

- **Var uppmärksam, ha uppsikt över det du gör, och använd sunt förnuft när du använder utrustningen. Använd inte utrustningen om du är trött eller påverkad av mediciner, alkohol eller annat.** Ett ögonblicks uppmärksamhet vid användning av utrustning kan resultera i allvarliga personskador.

- **Använd personlig skyddsutrustning.** Bär alltid ögonskydd. Skyddsutrustning som ansiktsmasker, halkfria skyddsskor, hjälm eller hörsel-skydd minskar risken för personskador.
- **Sträck dig inte för långt. Stå alltid stadigt och balanserat.** Då har du bättre kontroll över det motordrivna verktyget vid oväntade situationer.

Användning och skötsel av utrustningen

- **Använd inte överdriven kraft på utrustningen. Använd rätt utrustning för uppgiften.** Rätt utrustning utför uppgiften bättre och säkrare vid den hastighet som den är konstruerad för.
- **Använd inte utrustningen om omkopplaren inte fungerar (PÅ och AV).** Verktyg där omkopplaren inte fungerar är farliga, och måste repareras.
- **Koppla ur batterierna från utrustningen innan du utför några justeringar, byter några tillbehör eller förvarar utrustningen.** Dessa skyddsåtgärder minskar risken för personskador.
- **Förvara utrustning som inte används utom räckhåll för barn och låt inte obehöriga personer som inte läst bruksanvisningen använda utrustningen.** Utrustningen kan vara farlig i händerna på personer som saknar utbildning.
- **Utför underhåll på utrustningen.** Kontrollera att inga rörliga delar är felinställda, kärvar eller saknas, att inga delar är trasiga, och var uppmärksam på annat som kan påverka utrustningens funktion. Utrustningen måste repareras före användning om den är skadad. Många olyckor orsakas av dåligt underhållen utrustning.
- **Använd utrustningen och tillbehören i enlighet med dessa anvisningar, och ta hänsyn till arbetsförhållandena och det arbete som ska utföras.** Om utrustningen används i andra syften än de avsedda kan farliga situationer uppstå.
- **Använd endast tillbehör som tillverkaren rekommenderar för utrustningen.** Tillbehör som passar en typ av utrustning kan vara farliga när de används med annan utrustning.
- **Håll handtagen torra, rena och fettfria.** Då har du bäst kontroll över utrustningen.

Service

- **Service på det utrustningen ska utföras av en behörig reparatör och eventuella reservdelar måste vara identiska originaldelar.** Detta ser till att verktygets säkerhet hålls intakt.

Särskild säkerhetsinformation

⚠ VARNING

Det här avsnittet innehåller viktig säkerhetsinformation som gäller specifikt för det här verktyget.

Läs dessa förebyggande varningstexter noggrant innan du använder den kontaktfria infraröda termometern RIDGID® micro IR-200, så att du minimerar risken för brand, explosion eller andra allvarliga personskador.

SPARA DESSA ANVISNINGAR!

Förvara den här bruksanvisningen med verktyget så att operatören alltid har den till hands.

Säkerhet vid användning av infraröda termometrar

- **Titta aldrig in i laserstrålen.** Att titta in i laserstrålen innebär fara för ögonen. Titta inte på laserstrålen genom optisk utrustning (som kikare eller teleskop).
- **Rikta inte laserstrålen mot andra personer.** Kontrollera att laserstrålen riktas bort från ögonen (över eller under ögonnivån). Laserstrålar innebär fara för ögonen.
- **Använd inte den här produkten för att undersöka personer eller utföra uppgifter av medicinsk karaktär.** Detta är inte någon medicinsk enhet. Sådan användning kan orsaka personskador.
- **Vidta lämpliga försiktighetsåtgärder när du arbetar nära elek-**

triska, rörliga eller heta delar. Nära kontakt kan orsaka elchock, kläm- och skärsador, brännskador och andra allvarliga personskador. Skyddsutrustning kan behövas.

⚠ SE UPP Användning av reglage eller justeringar eller utförande av rutiner som avviker från det som anges här kan leda till exponering för farlig strålning.

Om du har någon fråga om den här RIDGID®-produkten:

- Kontakta din lokala RIDGID-distributör.
- Besök RIDGID.com för att lokalisera närmaste RIDGID-representant.
- Kontakta Ridge Tool Technical Service Department på rttechservices@emerson.com. Om du befinner dig i USA eller Kanada ringer du (800) 519-3456.

Beskrivning, specifikationer och standardutrustning

Beskrivning

Den kontaktfria infraröda termometern RIDGID® micro IR-200 ger enkla, snabba och noggranna temperaturavläsningar med en knapptryckning. Du trycker helt enkelt på avtryckaren och riktar den mycket noggranna klass II-lasern mot den yta som mäts. Termometern micro IR-200 visar omedelbart resultaten från temperaturmätningarna på en tydlig bakgrundsbelyst LCD-display. Det här kompakta och robusta instrumentet kan användas till mängder av uppgifter – för att diagnosticera värme- och ventilationsproblem, utföra förebyggande övervakning av elektriska motorer och system, felsöka ångfallor och snabbt kontrollera om säkringar eller krets brytare överhettats, utan någon kontakt.

Termometern micro IR-200 använder optik för att avkänna utsänd, reflekterad och överförd energi, som samlas upp och fokuseras på en detektor. Enhetens elektronik översätter informationen till en temperaturavläsning som visas. Laser används som hjälp med att ta sikte.

Specifikationer

Temperaturområde.....	-58 °F till 2192 °F (-50 °C till 1200 °C)
Avstånd till punkt (förhållande).....	30 till 1
Mätnoggrannhet.....	-58 °F ~ 68 °F (50 °C ~ 20 °C): ±4,5 °F (2,5 °C) 68 °F ~ 1472 °F (20 °C ~ 800 °C) ±1,0 % eller ±1.8 °F (1,0 °C)
Repeterbarhet.....	-58 °F ~ 68 °F (50 °C ~ 20 °C): ±2.3°F (1,3°C) 68 °F ~ 1472 °F (20 °C ~ 800 °C) ±0,5% eller ±0.9°F (0,5°C)
Responstid.....	150 ms
Spektralrespons.....	8~14 µm
Emissivitet.....	Ställbar, 0,10–1,00
Indikering för otillåtet område.....	LCD-skärmen visar "----"
Diodlaser.....	Uteffekt <1 mW, våglängd 630~670 nm, laserprodukt i klass 2
Temperaturvisning.....	Aktuell temperatur, MAX-temperatur
Mätenheter.....	Fahrenheit, Celsius
Arbets temperatur.....	32 °F till 122 °F (0 °C till 50 °C)
Förvaringstemperatur.....	14 °F till 140 °F (-10 °C till 60 °C)
Skärmupplösning.....	0.1 °F (0,1 °C)
Relativ luftfuktighet.....	10 %~90 % RH i drift, <80% RH vid förvaring
Batterier.....	9 V-batteri (1), NEDA 1604A eller IEC 6LR61, eller motsvarande
Kapslingsklass (IP).....	IP54
Vikt.....	0.6 lbs (0,3 kg)

Funktioner

- Snabb avkänning
- Dubbelt lasersikte klass II
- Automatisk hållning av datavärde
- Visning av maxtemperatur
- Exakta kontaktfria mätningar
- Automatiskt val av mätomfång och displayupplösning 0.1 °F (0,1 °C)
- Bakgrundsbelysning LCD-display
- Avtryckarläs
- Ställ in höga och låga larm
- Ställbar emissivitet



Figure 1 – micro IR-200 Kontaktfri infraröd termometer

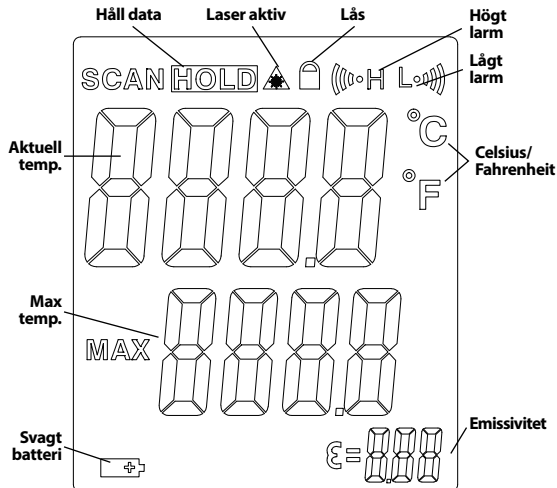
Delar



Figur 2 – Knappar på micro IR-200



Ikoner på LCD-displayen



Figur 3 – Displayen på micro IR-200

Standardutrustning

- micro IR-200
- Väska
- Batteri 1 x 9V
- Bruksanvisning

OBS Den här utrustningen används för att utföra temperaturmätningar. Felaktig användning kan orsaka felaktiga eller onoggranna mätningar. Det är användarens ansvar att välja lämplig mätmetod beroende på gällande förhållanden.

Laserklassificering



RIDGID micro IR-200 genererar en synlig laserstråle från enhetens framsida.

Enheten uppfyller kraven på klass 2-lasrar enligt: IEC 60825-1:2007

FCC-information

Den här utrustningen har testats och befunnits överensstämma med gränsvärdena för digitala enheter i klass B, i enlighet med del 15 i FCC:s bestämmelser. Dessa gränser är avsedda att säkerställa rimligt skydd mot skadliga störningar vid installation i bostäder.

Den här utrustningen genererar, använder och kan avge radiofrekvensenergi, och om utrustningen inte installeras och används i enlighet med anvisningarna kan den orsaka skadliga störningar i samband med radiokommunikation.

Det ges dock ingen garanti för att det inte kan förekomma skadliga störningar i en viss installation.

Om den här utrustningen stör mottagningen i en radio- eller tv-apparat (vilket kan upptäckas genom att utrustningen stängs av och slås på), rekommenderar vi att användaren försöker motverka störningen genom att vidta en eller flera av följande åtgärder:

- Vrid eller flytta på mottagningsantennen.
- Öka avståndet mellan utrustningen och mottagaren.
- Rådgör med återförsäljaren eller en erfaren radio/tv-tekniker.

Elektromagnetisk kompatibilitet (EMC)

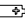
Termen elektromagnetisk kompatibilitet avser produktens förmåga att fungera väl i en omgivning där elektromagnetisk strålning och elektrostatiska urladdningar förekommer, utan att orsaka elektromagnetiska störningar hos annan utrustning.

OBS RIDGID micro IR-200 överensstämmer med alla gällande EMC-standarder. Det går dock inte att förutsätta att andra enheter inte störs.



Figur 4 – Öppna batteriutrymmet

Byta/Installera batterier

Termometern micro IR-200 levereras utan installerade batterier. Om batteriindikatorn (Figur 3) visar , måste batteriet bytas ut. Ta ut batteriet innan utrustningen förvaras för att undvika batteriläckage.

1. Tryck samman batteriklämmorna och ta ut batterihållaren från termometern (Figur 4). Ta ut batteriet vid behov.
2. Montera ett alkaliskt 9 V-batteri (6LR61) och kontrollera att du vänt batteriet rätt enligt figurerna i batteriutrymmet.



Figur 5 – Batterihållare och polaritet

3. Tryck samman klämmorna och sätt in batteriet i termometern. Hållaren kan bara sättas in på ett håll. Använd inte överdriven kraft. Kontrollera att det sitter säkert.

Kontroll före användning

⚠ VARNING

Kontrollera den infraröda termometern före varje användningstillfälle, och åtgärda alla problem för att minska risken för personskador eller felaktiga mätningar.

Titta aldrig in i laserstrålen. Att titta in i laserstrålen innebär fara för ögonen.

1. Rengör utrustningen och ta bort olja, fett och smuts. Detta underlättar inspektionen.
2. Kontrollera micro IR-200 och se om det finns tecken på skadade, slitna, saknade, felinställda eller kärvande delar, eller något annat som kan förhindra säker och normal drift.
3. Kontrollera att alla varningsdekalers sitter ordentligt på rätt plats, och att de är läsliga (Figur 6).
4. Om du hittar några problem under inspektionen ska du inte använda den infraröda termometern förrän den genomgått ordentlig service.
5. Följ driftanvisningarna och starta den infraröda termometern, utför en mätning och bekräfta mätningen med ett annat instrument (kontakttermometer eller liknande). Om sambandet mellan mätningarna inte är acceptabelt ska du inte använda den infraröda termometern förrän den genomgått service.



Figur 6 – Varningsdekalers



Inställning och användning

⚠ VARNING



Titta aldrig in i laserstrålen. Att titta in i laserstrålen innebär fara för ögonen. Titta inte på laserstrålen genom optisk utrustning (som kikare eller teleskop).

Rikta inte laserstrålen mot andra personer. Kontrollera att laserstrålen riktas bort från ögonen (över eller under ögonnivån). Laserstrålar innebär fara för ögonen.

Vidta lämpliga försiktighetsåtgärder när du arbetar nära elektriska, rörliga eller heta delar. Nära kontakt kan orsaka elchock, kläm- och skärskador, brännskador och andra allvarliga personsador. Skyddsutrustning kan behövas.

Ställ in och använd den infraröda termometern enligt dessa rutiner för att minska risken för personsador eller felaktiga mätningar.

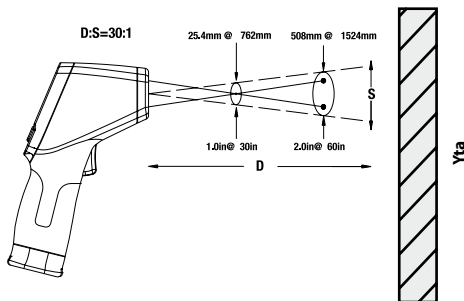
Inställning

1. Lokalisera en lämplig arbetsyta enligt de *allmänna säkerhetsföreskrifterna*.
2. Kontrollera föremålet som ska mätas och bekräfta att du har rätt utrustning för uppgiften. Se *avsnittet Specifikationer* för uppgifter om mätområde, noggrannhet och annan information.

Det finns många faktorer som kan påverka noggrannheten hos micro IR-200, inklusive:

Synfält – micro IR-200 använder två lasrar för att projicera punkter på vardera sidan om det område som ska mätas. Dessa punkter visar den ungefärliga diametern för ytan ("punkten") där tempera-

turen mäts. När micro IR-200 förflyttar sig längre (D) bort från ytan ökar området och punktstorleken (S). Ytan är cirka $\frac{1}{30}$ x avståndet till ytan. (Se figur 7.)



Figur 7 – Synfält

Punkten ska alltid vara mindre än ytan. Ju mindre yta, desto närmare ytan måste micro IR-200 vara. För bästa noggrannhet ska ytan vara dubbelt så stor som punkten.

Emissivitet – Emissivitet är en term som används för att beskriva energiavgivande egenskaper hos materialen med värden från 0 till 1. Modell micro IR-200 ger möjlighet att justera emissiviteten från 0,10 till 1,00 i syfte att beräkna temperaturer. Om de energiavgivande egenskaperna hos en yta är okända kan ett emissivitetsvärde på 0,95 lämpa sig för många uppgifter, till exempel målade ytor. *Figur 8* visar emissivitetsvärden för vanliga material.

Material	Emissivitet	Material	Emissivitet
Aluminium, polerad	0,05	Målarfärg	0,95
Asfalt	0,88	Papper, vitt	0,90
Tegel	0,90	Gips, grovt	0,89
Betong, grov	0,91	Gummi	0,93
Koppar, polerad	0,04	Stål, galvaniserat	0,28
Glas	0,95	Stål, oxiderat	0,88
Kalksten	0,92	Vatten	0,96
Marmor, polerad	0,90		

Figur 8 – Emissivitetsvärden för vanliga material

Temperatur – micro IR-200 kompenserar för variationer i omgivningstemperaturen, men stora förändringar i omgivningstemperaturer och uppmätta temperaturer kan försämrå noggrannheten. Om du märker av betydande förändringar i omgivningstemperaturen (mer än 30 °F eller 17 °C) – vänta 15 minuter så att micro IR-200 hinner anpassa sig. Då får du högsta noggrannhet.

Hinder – Ånga, damm, rök och andra hinder som glas eller plast mellan micro IR-200 och ytan som mäts kan försämrå noggrannheten. Sådana hinder skymmer enhetens optik eller ger falska avläsningar (mäter temperaturen på glaset i stället för ytan). Använd inte utrustningen om hinder förekommer.

3. Kontrollera att all utrustning har inspekterats korrekt.

Användning

Starta och stänga av (Utföra mätningar)

1. Håll micro IR-200 i handtaget och rikta enheten mot den yta som ska mätas. Håll enheten på behörigt avstånd från elektriska, rörliga eller heta delar. Kontrollera att enheten pekar i en säker riktning, bort från alla kringstående, innan du startar enheten.

2. Tryck på avtryckaren för att starta micro IR-200. När du trycker på avtryckaren kommer SCAN-ikonen att tändas och micro IR-200 uppdaterar den visade temperaturen kontinuerligt. Enheten visar också högsta temperatur som uppmätts sedan enheten startats. Termometern micro IR-200 kan förflyttas långsamt över ytan för att lokalisera heta eller svala områden. *Se avsnitten om högt larm och lågt larm* för information om inställningar för höga respektive låga larm.
3. När du släpper avtryckaren tänds symbolen HOLD. Termometern micro IR-200 stängs av automatiskt efter sju sekunder, såvida den inte är i läget Continuous Measurement (kontinuerlig mätning).

Reglage på micro IR-200



Figur 9 – Display/Knappar på micro IR-200

Kontinuerlig mätning (Avsökning)

Termometern micro IR-200 kan låsas i påslaget läge för att utföra mätningar utan att hålla in avtryckaren. Kontrollera att enheten pekar i en säker riktning, bort från alla kringstående, innan du startar enheten. Starta micro IR-200 genom att trycka in avtryckaren och hålla den inne. Tryck och släpp menyknappen medan du håller in avtryckaren. Symbolen SCAN (avsökning) och Lås är aktiverade. Släpp avtryckaren så kommer micro IR-200 att uppdatera den uppmätta temperaturen kontinuerligt tills att du återigen trycker och släpper avtryckaren.

Laser aktiverad/inaktiverad

Lasrarna som används för att sikta kan stängas av för att hjälpa till att spara batterier. Om detta görs måste du vara extra försiktig när du riktar micro IR-200 för att vara säker på att få noggranna avläsningar. Du kan aktivera eller inaktivera lasern samtidigt som du trycker in avtryckaren genom att trycka och släppa knappen för laseraktivering. Symbolen för Laser aktiv tänds när lasern är aktiverad.

Bakgrundsbelysning

Om du använder micro IR-200 i en omgivning med svag belysning kan du använda LCD-skärmens bakgrundsbelysning. Tryck på knappen för bakgrundsbelysning för att tända och släcka belysningen.

Menyknapparnas användning

När du har tryckt på avtryckaren och därefter tryckt och släppt menyknappen kan du stega igenom följande inställningar i den här ordningen: Högt larm PÅ/AV, Temperaturinställning för högt larm, Lågt larm PÅ/AV, Temperaturinställning för lågt larm, Displayenheter för temperatur, Emissivitet.

Högt larm

Vid högt larm avger enheten en ljudsignal när temperaturen överstiger ett förinställt gränsvärde. Aktivera högt larm genom att först trycka in och släppa avtryckaren, och därefter trycka och släppa menyknappen tills symbolen för högt larm blinkar. Använd uppåt/nedåt-knapparna för att aktivera eller stänga av högt larm (se indikator på temperaturlinjen). Tryck och släpp menyknappen igen. Symbolen för högt larm fortsätter blinka och temperaturvärdet för högt larm visas. Använd uppåt/nedåt-knapparna för att ändra temperaturvärdet för högt larm efter önskemål. Tryck på avtryckaren för att avsluta inställningsläget och spara dina val.

Lågt larm

Vid lågt larm avger enheten en ljudsignal när temperaturen faller under ett förinställt gränsvärde. Aktivera lågt larm genom att först trycka in och släppa avtryckaren, och därefter trycka och släppa menyknappen tills symbolen för lågt larm blinkar. Använd uppåt/nedåt-knapparna för att aktivera eller stänga av lågt larm (se indikator på temperaturlinjen). Tryck och släpp menyknappen igen. Symbolen för lågt larm fortsätter blinka och temperaturvärdet för lågt larm visas. Använd uppåt/nedåt-knapparna för att ändra temperaturvärdet för lågt larm efter önskemål. Tryck på avtryckaren för att avsluta inställningsläget och spara dina val.

Temperaturenheter °C/°F

Termometern micro IR-200 kan visa i grader Celsius (C) eller Fahrenheit (F). Växla enhet genom att först trycka in och släppa avtryckaren, och därefter trycka och släppa menyknappen tills temperaturenheten blinkar på skärmen. Använd uppåt/nedåt-knapparna för att växla mellan C och F. Tryck på avtryckaren för att avsluta inställningsläget och spara dina val.

Emissivitet

Emissivitetsvärdet kan ställas in från 0,10 till 1,00. Se avsnittet om inställning om du behöver fastställa ett lämpligt värde för din uppgift. Om du vill justera det här värdet trycker du in och släpper avtryckaren, och därefter trycker du in och släpper menyknappen tills att emissivitetsvärdet blinkar på skärmen. Använd upp/ned-knapparna för att öka respektive minska emissivitetsvärdet. Tryck på avtryckaren för att avsluta inställningsläget och spara dina val.

Rengöring

RIDGID micro IR-200 kontaktfri infraröd termometer får inte sänkas ned i vatten. Torka av smuts med en mjuk fuktig trasa. Använd inte aggressiva rengöringsmedel eller lösningsmedel. Behandla instrumentet på samma sätt som ett teleskop eller en kamera.

Förvaring

Den infraröda termometern RIDGID micro IR-200 måste förvaras torr och säkert i en temperatur från 14 °F (-10 °C) till 140 °F (60 °C).

Förvara enheten i ett låst utrymme på behörigt avstånd från barn och personer som inte är vana att använda micro IR-200.

Ta ur batteriet innan utrustningen skickas eller förvaras under längre tid, för att undvika batteriläckage.

Service och reparationer

▲ VARNING

Felaktigt utförd service eller undermåliga reparationer kan göra det farligt att arbeta med den kontaktfria infraröda termometern RIDGID micro IR-200.

Service och reparation av micro IR-200 måste utföras av ett auktoriserat oberoende RIDGID-servicecenter.

För information om närmaste oberoende auktoriserade RIDGID servicecenter eller om du har frågor om service/reparationer:

- Kontakta din lokala RIDGID-distributör.
- Besök RIDGID.com för att lokalisera närmaste Ridge Tool-representant.
- Kontakta Ridge Tool Technical Service Department på rtctechservices@emerson.com. Om du befinner dig i USA eller Kanada ringer du (800) 519-3456.

Bortskaffande

Delar av den kontaktfria infraröda termometern RIDGID micro IR-200 innehåller värdefulla material som kan återvinnas. Det finns företag som specialiserar sig på återvinning. Bortskaffa komponenterna i överensstämmelse med alla gällande bestämmelser. Kontakta återvinningsmyndigheten i din kommun för mer information.



För EG-länder: Elektrisk utrustning får inte kastas i hushållssoporna!

Enligt till de europeiska riktlinjerna 2012/19/EU för förbrukad elektrisk och elektronisk utrustning och dess implementering i nationell lagstiftning, måste elektrisk utrustning som inte längre kan användas samlas in separat och bortskaffas på ett miljömässigt korrekt sätt.

Bortskaffande av batterier

EG-länder: Defekta eller förbrukade batterier måste återvinnas enligt riktlinjerna i 2012/19/EU.

micro IR-200

micro IR-200 Infrarødt termometer



⚠ ADVARSEL

Læs denne brugervejledning grundigt, før du bruger værktøjet. Det kan medføre elektrisk stød, brand og/eller alvorlige kvæstelser, hvis indholdet i denne håndbog ikke læses og følges.

micro IR-200 infrarødt termometer

Registrér serienummer nedenfor, og opbevar produktserienummeret, som du finder på navneskiltet.

Serie-
nr.

Indholdsfortegnelse

Registreringsformular til maskinserienummer	111
Sikkerhedssymboler	113
Generelle sikkerhedsoplysninger	114
Sikkerhed på arbejdsområdet	114
Elektrisk sikkerhed	114
Personssikkerhed	114
Brug og vedligeholdelse af udstyret	114
Service	115
Særlige sikkerhedsoplysninger	115
Sikkerhed med infrarødt termometer	115
Beskrivelse, specifikationer og standardudstyr	115
Beskrivelse	115
Specifikationer	116
Dele	117
LCD-display-ikoner	117
Standardudstyr	117
Laserklassifikation	118
FCC-erklæring	118
Elektromagnetisk kompatibilitet (EMC)	118
Udskiftning/Isætning af batterier	118
Eftersyn før brug	119
Opsætning og drift	120
Opsætning	120
Betjening	121
Slå TIL og FRA (Måltagning)	121
micro IR-200-styringsfunktioner	121
Kontinuerlig måling (Scanning)	122
Laser aktiveret/inaktiveret	122
Baggrundsbelysning	122

Anvendelse af menuknop	122
Høj alarm	122
Lav alarm	122
Temperaturvisningsenheder - °C/°F	122
Emissivitet	123
Rengøring	123
Opbevaring	123
Service og reparation	123
Bortskaffelse	123
Bortskaffelse af batteri	123
EF-overensstemmelseserklæring	Indvendigt på bagside
Livstidsgaranti	Bagside

*Oversættelse af den originale brugsanvisning

Sikkerhedssymboler

I denne brugerhåndbog og på selve produktet anvendes sikkerhedssymboler og -ord til at kommunikere vigtige sikkerhedsoplysninger. Dette afsnit indeholder yderligere information om disse ord og symboler.



Dette er et sikkerhedsalarmsymbol. Symbolet bruges til at gøre dig opmærksom på eventuel fare for kvæstelser. Følg alle sikkerhedsmeddelelser, der efterfølger dette symbol, for at undgå eventuel kvæstelse eller dødsfald.



FARE FARE angiver en farlig situation, som vil resultere i død eller alvorlig personskade, hvis den ikke undgås.



ADVARSEL ADVARSEL angiver en farlig situation, som kan resultere i død eller alvorlig personskade, hvis den ikke undgås.



FORSIGTIG FORSIGTIG angiver en farlig situation, som kan resultere i mindre eller moderat personskade, hvis den ikke undgås.



BEMÆRK BEMÆRK angiver oplysninger, der vedrører beskyttelse af ejendom.



Dette symbol betyder, at du bør læse brugervejledningen grundigt, før du anvender udstyret. Brugerhåndbogen indeholder vigtige oplysninger om sikker og korrekt brug af udstyret.



Dette symbol betyder, at dette apparat indeholder en klasse 2-laser.



Dette symbol betyder, at du ikke må stirre ind i laserstrålen.



Dette symbol advarer om tilstedeværelsen af og risiciene ved laserstrålen.

Generelle sikkerhedsoplysninger

▲ ADVARSEL

Læs alle sikkerhedsadvarsler og anvisninger. Det kan medføre elektrisk stød, brand og/eller alvorlig personskade, hvis advarselne og anvisningerne ikke overholdes.

GEM DENNE VEJLEDNING!

EF-overensstemmelseserklæringen (890-011-320.10) er vedlagt denne vejledning i en særskilt brochure, når det er påkrævet.

Sikkerhed på arbejdsområdet

- **Hold arbejdsområdet rent og godt oplyst.** Rodede eller mørke områder kan medføre ulykker.
- **Brug ikke udstyret i eksplosive atmosfærer f.eks. ved tilstedeværelse af brændbare væsker, gasser eller støv.** Udstyr kan danne gnister, som kan antænde støv eller dampe.
- **Hold børn og uvedkommende væk, når udstyret bruges.** Du kan miste kontrollen over værktøjet, hvis du bliver distraheret.

Elektrisk sikkerhed

- **Undgå kropskontakt med jordede overflader som f.eks. rør, radiatorer, komfurer og køleskabe.** Der er en forøget risiko for elektrisk stød, hvis din krop får jordforbindelse.
- **Udsæt ikke udstyret for regn eller våde forhold.** Hvis der trænger vand ind i udstyret, forøges risikoen for elektrisk stød.

Personssikkerhed

- **Vær opmærksom, hold øje med det, du foretager dig, og brug almindelig sund fornuft ved brug af udstyret. Brug ikke udstyret, når du er træt eller påvirket af stoffer, alkohol eller medicin.** Et øjeblikvis uopmærksomhed, mens du bruger udstyret, kan medføre alvorlig personskade.

- **Brug personligt sikkerhedsudstyr.** Brug altid beskyttelsesbriller. Sikkerhedsudstyr, som f.eks. støvmaske, skridsikkert sikkerhedsfodtøj, hjelm eller høreværn, der benyttes under de relevante forhold, vil begrænse kvæstelser.
- **Brug ikke værktøjet i uhensigtsmæssige arbejdsstillinger. Hav altid ordentligt fodfæste og god balance.** Det giver bedre kontrol over maskinværktøjet i uventede situationer.

Brug og vedligeholdelse af udstyret

- **Forsøg ikke at forcere udstyret. Brug det korrekte udstyr til formålet.** Det korrekte udstyr udfører opgaven bedre og mere sikkert i den hastighed, som det er beregnet til.
- **Brug ikke udstyret, hvis kontakten ikke kan slå det til og fra.** Ethvert maskinværktøj, som ikke kan styres med kontakten, er farligt og skal repareres.
- **Tag batterierne ud af udstyret, før der foretages justeringer, udskiftes tilbehør, eller udstyret stilles til opbevaring.** Disse forebyggende sikkerhedsforanstaltninger formindsker risikoen for skader.
- **Opbevar inaktivt udstyr utilgængeligt for børn, og lad aldrig personer, som ikke er fortrolige med udstyret eller disse anvisninger, bruge udstyret.** Udstyret kan være farligt i hænderne på uøvede brugere.
- **Vedligehold udstyret.** Kontroller, om bevægelige dele er fejljusteret eller binder, om der er manglende eller ødelagte dele og andre forhold, som kan påvirke udstyrets drift. Hvis udstyret er beskadiget, skal det repareres inden brug. Mange ulykker skyldes dårligt vedligeholdt udstyr.
- **Brug udstyret og tilbehør i overensstemmelse med disse anvisninger og under hensyntagen til arbejdsforholdene og det arbejde, der skal udføres.** Hvis udstyret anvendes til andre formål end, hvad det er beregnet til, kan det medføre farlige situationer.
- **Brug kun tilbehør til dit udstyr, der anbefales af producenten.** Tilbehør, der er egnet til brug med en type udstyr, kan være farligt, når det bruges med andet udstyr.

- **Hold håndtag tørre, rene og fri for olie og fedt.** Det giver bedre kontrol over udstyret.

Service

- **Få dit udstyr efterset af en kvalificeret tekniker, og brug kun identiske reservedele.** Dette sikrer, at værktøjets sikkerhed opretholdes.

Særlige sikkerhedsoplysninger

▲ ADVARSEL

Dette afsnit indeholder vigtige sikkerhedsoplysninger, der gælder specielt for dette værktøj.

Læs disse sikkerhedsforskrifter grundigt, før RIDGID® micro IR-200 infrarødt termometer bruges, for at reducere risikoen for brand, eksplosion eller andre alvorlige personskader.

GEM DENNE VEJLEDNING!

Opbevar denne vejledning med værktøjet, så operatøren har den ved hånden.

Sikkerhed med infrarødt termometer

- **Kig ikke ind i laserstrålen.** Hvis du kigger ind i laserstrålen, kan dine øjne lide skade. Kig ikke ind i laserstrålen vha. optiske instrumenter (som f.eks. kikkerter eller teleskoper).
- **Ret ikke laserstrålen mod andre personer.** Sørg for, at laseren sigtes over eller under øjenhøjde. Laserstråler kan være skadelige for øjnene.
- **Anvend ikke apparatet til personlig inspektion eller til medicinske formål.** Dette er ikke medicinsk udstyr. Dette kan forårsage personskade.
- **Tag de nødvendige forholdsregler i forbindelse med arbejde i nærheden af elektriske, bevægelige eller varme dele.** Tæt kontakt kan give elektrisk stød, bevirke, at personer vikles ind i

bevægelige dele, og give forbrændinger og andre alvorlige skader. Beskyttelsesudstyr kan være nødvendigt.

▲ FORSIGTIG Anvendelsen af styreelementer eller reguleringer eller udførelsen af andre procedurer end angivet her kan føre til farlig strålingseksponering.

Hvis du har spørgsmål angående dette RIDGID®-produkt:

- Kontakt din lokale RIDGID-forhandler.
- Gå ind på RIDGID.com for at finde dit lokale RIDGID-kontaktpunkt.
- Kontakt Ridge Tool's tekniske serviceafdeling på rttechservices@emerson.com, eller ring på følgende nummer i USA og Canada: (800) 519-3456.

Beskrivelse, specifikationer og standardudstyr

Beskrivelse

RIDGID® micro IR-200 infrarødt termometer sikrer enkle, hurtige og præcise overfladetemperaturmålinger ved tryk på en knap. Du trykker blot på udløseren og peger de ultraskarpe dobbelte klasse II-lasere mod den overflade, der skal måles. micro IR-200-enheden sikrer omgående temperaturmåling på et klart, baggrundsbelyst LCD-display, der er let at aflæse. Ud over utallige andre anvendelser kan den professionelle håndværker bruge dette solide, kompakte instrument til at finde frem til varme- og ventilationsproblemer, udføre forebyggende overvågning af elektriske motorer og systemer, fejlfinde dampfælder og hurtigt kontrollere sikringer og relæer for overophedning uden kontakt.

micro IR-200 bruger optik til at føle udsendt, reflekteret og transmitteret energi, som opsamles og fokuseres på en detektor. Enhedens elektronik oversætter informationen til en temperaturlæsning, som vises. Der bruges lasere til at hjælpe med at sigte.

Specifikationer

Temperaturområde.....	-58°F til 2192°F (-50°C til 1200°C)
D/S.....	30:1
Målenøjagtighed.....	-58°F ~68°F (50°C ~20°C): ±4,5°F (2,5°C) 68°F ~ 1472°F (20°C ~800°C) ±1,0% eller ±1,8°F (1,0°C)
Repeterbarhed.....	-58°F ~ 68°F (50°C ~20°C): ±2,3°F (1,3°C) 68°F ~1472°F (20°C ~800°C) ±0,5% eller ±0,9°F (0,5°C)
Svartid.....	150 ms
Spektralrespons.....	8~14 um
Emissivitet.....	Justerbar, 0,10 – 1,00
Indikation for over område.....	LCD viser "----"
Diodelaser.....	Output <1 mW, bølgelængde 630~670nm, klasse 2-laserprodukt
Temperaturvisning.....	Aktuel temperatur, MAKS.temperatur
Måleenheder.....	Fahrenheit, Celsius
Driftstemperatur.....	32°F til 122°F (0°C til 50°C)
Opbevaringstemperatur.....	14°F til 140°F (-10°C til 60°C)
Displayopløsning.....	0.1°F (0,1°C)
Relativ luftfugtighed.....	10 %~90 % RH drift, <80 % RH opbevaring
Batterier.....	9V-batteri (1), NEDA 1604A eller IEC 6LR61 eller tilsvarende
IP-kode.....	IP54
Vægt.....	0.6 lbs (0,3 kg)

Funktioner

- Hurtig detektionsfunktion
- Dobbelt klasse II-lasersigte
- Automatisk datahold
- MAKS.temperaturvisninger
- Præcise berøringsfri målinger
- Automatisk udvælgelsesområde og visningsopløsning 0.1°F (0,1°C)
- LCD-display med baggrundsbelysning
- Udløserlås
- Sæt høje og lave alarmer
- Justerbar emissivitet

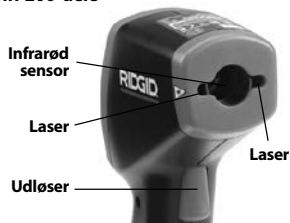


Figur 1 – micro IR-200 infrarødt termometer

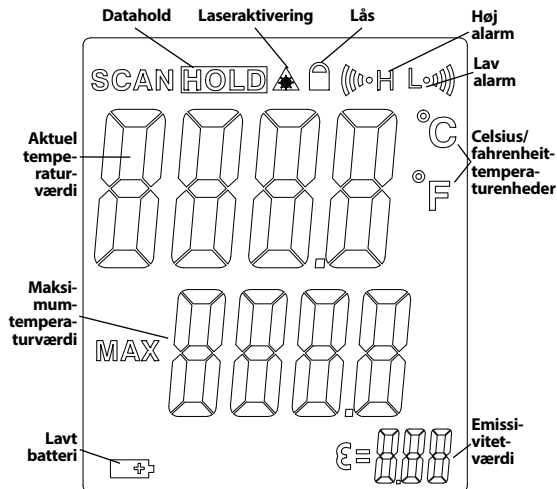
Dele



Figur 2 – micro IR-200-dele



LCD-display-ikoner



Figur 3 – micro IR-200-displayikoner

Standardudstyr

- micro IR-200
- Transportkasse
- Batteri 1 x 9 V
- Brugerhåndbog

BEMÆRK Dette udstyr anvendes til temperaturmålinger. Forkert anvendelse kan resultere i forkerte eller unøjagtige målinger. Det er brugerens ansvar at benytte passende målemetoder, der svarer til forholdene.

Laserklassifikation



RIDGID micro IR-200 frembringer en synlig laserstråle, der udsendes fra forsiden af apparatet.

Apparatet overholder bestemmelserne for klasse 2-lasere i henhold til: IEC 60825-1:2007.

FCC-erklæring

Dette udstyr er testet og overholder grænserne for digitale Klasse B-apparater i henhold til sektion 15 i FCC-reglerne. Disse begrænsninger har til hensigt at yde rimelig beskyttelse imod skadelig interferens i beboelsesinstallationer.

Dette udstyr genererer, bruger og kan udstråle radiofrekvensenergi. Hvis udstyret ikke installeres og bruges i henhold til anvisningerne, kan dette forårsage skadelig interferens i radiokommunikation.

Der er dog ingen garanti for, at interferens ikke forekommer i en bestemt installation.

Hvis dette udstyr forårsager skadelig interferens i radio- eller tv-modtagelsen, hvilket kan fastslås ved at slukke og tænde for udstyret, opfordres brugeren til at forsøge at afhjælpe interferensen på én af følgende måder:

- Vend eller flyt modtagerantennen.
- Øg afstanden imellem udstyret og modtageren.
- Rådfør dig med forhandleren eller en erfaren radio/tv-tekniker.

Elektromagnetisk kompatibilitet (EMC)

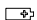
Termen elektromagnetisk kompatibilitet defineres som produktets funktionsduelighed i et miljø med elektromagnetisk stråling og elektrostatiske udladninger, uden at det forårsager elektromagnetisk interferens i andet udstyr.

BEMÆRK RIDGID micro IR-200-enheden overholder alle gældende EMC-standarder. Dog kan det ikke udelukkes, at apparatet skaber interferens i andet udstyr.



Figur 4 – Sådan fjernes batterirummet

Udskiftning/Isætning af batterier

micro IR-200-enheden leveres uden isat batteri. Hvis batteriindikatoren (Figur 3) viser , skal batteriet udskiftes. Fjern batteriet, før enheden stilles til opbevaring i længere tid, for at undgå batterilækage.

1. Klem batteriklipsene, og fjern batterirummet fra termometeret (Figur 4). Fjern batteriet, hvis det er nødvendigt.
2. Installer 9V alkalisk batteri (6LR61) med den korrekte polaritet som vist på batterirummet.



Figur 5 – Batteriholder og polaritetsmarkering

3. Klem klipsene, og indsæt i termometeret. Holderen kan kun isættes på én måde. Brug ikke unødigt kraft. Sørg for, at det sidder sikkert på.

Eftersyn før brug

⚠ ADVARSEL

Efterse termometeret, hver gang det tages i brug, og afhjælp eventuelle problemer for at mindske risikoen for personskade eller forkerte målinger.

Kig ikke ind i laserstrålen. Hvis du kigger ind i laserstrålen, kan dine øjne lide skade.

1. Fjern olie, fedt og snavs fra udstyret. Dette fremmer eftersynet.
2. Kontroller, om micro IR-200 har defekte, slidte, manglende, forkert justerede eller bindende dele eller andre problemer, der kan forhindre en sikker, normal drift.
3. Kontroller, at advarselmærkaten er til stede, fastgjort og læselig (Figur 6).
4. Hvis der findes problemer under eftersynet, må det infrarøde termometer ikke bruges, før det er blevet korrekt serviceret.
5. Tænd for det infrarøde termometer i henhold til brugsanvisningerne, foretag en måling, og kontroller målingen vha. et andet hjælpemiddel (kontakttermometer osv.). Hvis der ikke er tilfredsstillende overensstemmelse mellem målingerne, må det infrarøde termometer ikke bruges, før det er blevet korrekt serviceret.



Figur 6 – Advarselmærkater



Opsætning og drift

⚠ ADVARSEL



Kig ikke ind i laserstrålen. Hvis du kigger ind i laserstrålen, kan dine øjne lide skade. Kig ikke ind i laserstrålen vha. optiske instrumenter (som f.eks. kikkertoilet eller teleskoper).

Ret ikke laserstrålen mod andre personer. Sørg for, at laseren siges over eller under øjenhøjde. Laserstråler kan være skadelige for øjnene.

Tag de nødvendige forholdsregler i forbindelse med arbejde i nærheden af elektriske, bevægelige eller varme dele. Tæt kontakt kan give elektrisk stød, bevirke, at personer vikles ind i bevægelige dele, og give forbrændinger og andre alvorlige skader. Beskyttelsesudstyr kan være nødvendigt.

Installer og brug det infrarøde termometer i henhold til disse procedurer for at reducere risikoen for personskade eller forkerte målinger.

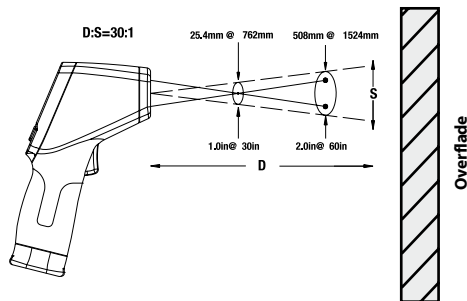
Opsætning

1. Find et passende arbejdsområde som angivet i afsnittet *Generel sikkerhed*.
2. Undersøg den genstand, der skal måles til, og sørg for, at du har det korrekte udstyr til anvendelsen. Læs afsnittet *Specifikationer* for at få oplysninger om rækkevidde, nøjagtighed og andre oplysninger.

Der er forskellige faktorer, som kan påvirke micro IR-200's nøjagtighed, herunder:

Synsfelt – micro IR-200 bruger to lasere til at projicere punkter på hver side af det område, der skal måles. Disse punkter angiver den

omtrentlige diameter af det område ("spot"), temperaturen måles i. Efterhånden som micro IR-200 bevæger sig længere (D) væk fra overfladen, øges området og spotstørrelsen (S). Området er ca. $\frac{1}{30}$ gange afstanden til overfladen. (Se figur 7).



Figur 7 – Synsfelt

Spottet skal altid være mindre end overfladen. Jo mindre overflade, jo tættere skal micro IR-200 være på overfladen. Den største nøjagtighed opnås, når overfladen er dobbelt så stor som spottet.

Emissivitet – Emissivitet er et begreb, der beskriver materialers energigivende egenskaber, og det angives med en værdi fra 0 til 1. På micro IR-200 kan emissivitetsværdien justeres fra 0,10 til 1,00 til beregning af temperaturer. Hvis en overflades emissivitetsegenskab er ukendt, kan en emissivitet på 0,95 være passende i mange tilfælde, som f.eks. ved malede overflader. Emissivitetsværdien for almindelige materialer er angivet i *Figur 8*.

Materiale	Emissivitet	Materiale	Emissivitet
Aluminium, poleret	0,05	Maling	0,95
Asfalt	0,88	Papir, hvidt	0,90
Mursten	0,90	Puds, rå	0,89
Beton, rå	0,91	Gummi	0,93
Kobber, poleret	0,04	Stål, galvaniseret	0,28
Glas	0,95	Stål, oxideret	0,88
Kalksten	0,92	Vand	0,96
Marmor, poleret	0,90		

Figur 8 – Emissivitetsværdier for almindelige materialer

Temperatur – micro IR-200 kompenserer for variationer i forhold til rumtemperaturen, men store ændringer i rumtemperaturen og de målte temperaturer kan mindske nøjagtigheden. Når der er væsentlige ændringer i rumtemperaturen (mere end 30°F eller 17°C), skal der gå 15 minutter, for at micro IR-200 kan indstille sig og opnå den bedste nøjagtighed.

Forhindringer – Damp, støv, røg og andre forhindringer som glas eller plastic mellem micro IR-200 og den målte overflade kan mindske nøjagtigheden. De obstruerer enhedens optik eller giver forkerte målinger (måler glassets temperatur i stedet for overfladens). Må ikke bruges, når der er forhindringer til stede.

3. Sørg for, at alt udstyr har været til grundigt eftersyn.

Betjening

Slå TIL og FRA (Måltagning)

1. Hold micro IR-200 i håndtaget, og peg mod den overflade, der skal måles. Hold afstand til elektriske, bevægelige eller varme dele. Sørg for, at enheden er rettet i en sikker retning, væk fra omkringstående, før den slås TIL.

2. Tryk på udløseren for at slå micro IR-200 TIL. Når der trykkes på udløseren, slås SCAN-ikonet TIL, og micro IR-200 opdaterer løbende den viste aktuelle temperaturværdi og den maksimale temperatur, fra enheden blev slået TIL.

micro IR-200 kan langsomt bevæges hen over overfladen for at lokalisere varme eller kolde områder. *Se afsnittene om høje og lave alarmer* for at få oplysninger om indstillinger for høje og lave alarmer.

3. Når udløseren slippes, slås HOLD-ikonet TIL. micro IR-200 slår automatisk FRA efter syv sekunder, medmindre enheden anvendes i tilstanden kontinuerlig måling.

micro IR-200-styringsfunktioner



Figur 9 – micro IR-200-display/Knapper

Kontinuerlig måling (Scanning)

micro IR-200 kan låses TIL for at tillade måling uden at holde udløseren nede. Sørg for, at enheden er rettet i en sikker retning, væk fra omkringstående, før den slås TIL. Slå micro IR-200 TIL ved at trykke på udløseren og holde den nede. Mens udløseren holdes nede, trykkes der på menuknappen, og den slippes igen. SCAN- og lås-ikonerne er slået TIL. Slip udløseren, og micro IR-200 opdaterer løbende den målte temperatur, indtil der trykkes på udløserkontakten, og den slippes igen.

Laser aktiveret/inaktiveret

Hvis der er behov for det, kan sigtelaserne slås fra for at spare på batteriet. Hvis det sker, skal der udvises ekstra omhu, når der sigtes med micro IR-200, for at sikre gode målinger. Denne funktion slås til eller fra ved at trykke på laseraktiveringsknappen og slippe den, mens der trykkes på udløseren. Laseraktiveringsikonet er slået TIL, når laseren er aktiveret.

Baggrundsbelysning

Hvis micro IR-200 anvendes i dårligt oplyste områder, er det udstyret med baggrundsbelyst display. Baggrundsbelysningen slås TIL og FRA, når enheden er tændt, ved at trykke på baggrundsbelysningsknappen.

Anvendelse af menuknap

Når du har trykket på udløseren, kan du ved at trykke på og slippe menuknappen bladere igennem følgende indstillinger i nævnte rækkefølge: High Alarm ON/OFF (høj-alarml til/fra), High Alarm Temperature Setting (temperaturindstilling for høj-alarml), Low Alarm ON/OFF (lav-alarml til/fra), Low Alarm Temperature Setting (temperaturindstilling for lav-alarml), Temperature Display Units (temperaturvisningsenheder), Emissivity (emissivitet).

Høj alarm

Høj alarm giver en hørbar tone, når den aktuelle temperatur kom-

mer over en forudindstillet grænseværdi. Den høje alarm slås TIL ved at trykke på udløseren og slippe den igen og derefter trykke på menuknappen og slippe den igen, indtil ikonet for høj alarm blinker. Brug op/ned-knapperne til at slå høj alarm TIL/FRA som angivet på den aktuelle temperaturværdilinje. Tryk på menuknappen, og slip den, igen. Ikonet for høj alarm fortsætter med at blinke, og den høje alarmtemperatur vises. Brug op/ned-knapperne til at ændre den høje alarmtemperatur som ønsket. Tryk på udløseren for at afslutte indstillingstilstanden og gemme det valgte.

Lav alarm

Lav alarm giver en hørbar tone, når den aktuelle temperatur kommer under en forudindstillet grænseværdi. Den lave alarm slås TIL ved at trykke på udløseren og slippe den igen og derefter trykke på menuknappen og slippe den igen, indtil ikonet for lav alarm blinker. Brug op/ned-knapperne til at slå lav alarm TIL/FRA som angivet på den aktuelle temperaturværdilinje. Tryk på menuknappen, og slip den, igen. Ikonet for lav alarm fortsætter med at blinke, og den lave alarmtemperatur vises. Brug op/ned-knapperne til at ændre den lave alarmtemperatur som ønsket. Tryk på udløseren for at afslutte indstillingstilstanden og gemme det valgte.

Temperaturvisningsenheder - °C/°F

micro IR-200 kan vise temperaturer i grader celsius (C) eller fahrenheit (F). Den viste enhed ændres ved at trykke på og slippe udløseren og derefter trykke på menuknappen og slippe den, indtil temperaturenheden på skærmen blinker. Brug op/ned-knapperne til at skifte mellem C og F. Tryk på udløseren for at afslutte indstillingstilstanden og gemme det valgte.

Emissivitet

Emissivitetsværdien kan indstilles i intervallet fra 0,10 til 1,00. Se af-

snittet Opsætning for at fastlægge en passende værdi i forhold til anvendelsen. Denne værdi justeres ved at trykke på og slippe udløseren og derefter trykke på og slippe menuknappen, indtil emissivitetsværdien på skærmen blinker. Brug op-/nedknapperne til at øge eller reducere emissivitetsværdien. Tryk på udløseren for at forlade indstillingstilstanden og gemme det valgte.

Rengøring

RIDGID micro IR-200 infrarødt termometer må ikke nedsænkes i vand. Tør snavs af med en fugtig, blød klud. Brug ikke stærke rengøringsmidler eller opløsninger. Behandl instrumentet på samme måde, som du behandler et teleskop eller et kamera.

Opbevaring

RIDGID micro IR-200-laserafstandsmåleren skal opbevares et tørt sikkert sted ved en temperatur på mellem 14°F (-10°C) og 140°F (60°C).

Opbevar værktøjet i et aflåst område, hvor det er utilgængeligt for børn og personer, der ikke er fortrolige med brugen af micro IR-200.

Fjern batteriet, før udstyret sendes eller stilles til opbevaring i længere tid, for at undgå batterilækage.

Service og reparation

▲ ADVARSEL

Forkert service eller reparation kan medføre, at RIDGID micro IR-200 infrarødt termometer bliver farligt at anvende.

Service og reparation af micro IR-200 skal udføres af et uafhængigt RIDGID-autoriseret servicecenter.

Hvis du ønsker oplysninger om det nærmeste uafhængige RIDGID-autoriserede servicecenter, eller du har spørgsmål angående service eller reparation:

- Kontakt din lokale RIDGID-forhandler.
- Gå ind på RIDGID.com for at finde dit lokale Ridge Tool-kontaktpunkt.
- Kontakt Ridge Tool's tekniske serviceafdeling på rttechservices@emerson.com, eller ring på følgende nummer i USA og Canada: (800) 519-3456.

Bortskaffelse

Dele af RIDGID micro IR-200 infrarødt termometer indeholder værdifulde materialer og kan genbruges. I lokalområdet findes der evt. virksomheder, som specialiserer sig i genbrug. Bortskaf alle komponenter i overensstemmelse med alle gældende bestemmelser. Kontakt det lokale renovationsvæsen for at få flere oplysninger.



For EU-lande: Bortskaf ikke elektrisk udstyr sammen med husholdningsaffald!

I overensstemmelse med det europæiske direktiv 2012/19/EU om affald fra elektrisk og elektronisk udstyr og dets gennemførelse i national lovgivning skal elektrisk udstyr, der ikke længere er i brug, indsamles særskilt og bortskaffes på en miljøvenlig korrekt måde.

Bortskaffelse af batteri

EU-lande: Defekte eller brugte batterier skal genbruges i henhold til direktivet 2012/19/EU.

mikro IR-200

mikro IR-200 Kontaktløst infrarødt termometer



ADVARSEL

Les denne bruksanvisningen nøye før du tar dette verktøyet i bruk. Hvis advarsler og instruksjoner ikke følges, kan det resultere i elektrisk støt, brann og/eller alvorlig personskade.

mikro IR-200 kontaktløst infrarødt termometer

Skriv ned serienummeret under og ta vare på produktets serienummer som finnes på navneplaten.

Serie-
nr.

Innholdsfortegnelse

Registreringsskjema for maskinens serienummer	125
Sikkerhetssymboler	127
Generelle sikkerhetsbestemmelser	128
Sikkerhet på arbeidsstedet.....	128
El-sikkerhet.....	128
Personlig sikkerhet.....	128
Bruk og håndtering av utstyret.....	128
Service.....	129
Spesifikk sikkerhetsinformasjon	129
Sikkerhet i forbindelse med infrarødt termometer.....	129
Beskrivelse, spesifikasjoner og standardutstyr	129
Beskrivelse.....	129
Spesifikasjoner.....	130
Deler.....	131
Ikoner på LCD-displayet.....	131
Standardutstyr.....	131
Laserklassifikasjon	132
FCC-erklæring	132
Elektromagnetisk kompatibilitet (EMC)	132
Skifte/Installere batterier	132
Inspeksjon før bruk	133
Klargjøring og bruk	134
Klargjøring.....	134
Betjening	135
Slå PÅ og AV (Ta målinger).....	135
mikro IR-200s betjeningselementer	135
Modus for kontinuerlig måling (Skanning).....	136
Laser aktivert/deaktivert.....	136
Motlys.....	136

Bruk av menyknapper.....	136
Høy alarm.....	136
Lav alarm.....	136
Enheter på temperaturdisplayet - °C/°F.....	136
Emissivitet.....	137
Rengjøring	137
Lagring	137
Service og reparasjon	137
Avfallshåndtering	137
Avhending av batterier	137
EU samsvarserklæring På innsiden av bakre omslag	
Livslang garanti Bakdeksel	

* Oversettelse av den originale veiledningen

Sikkerhetssymboler

I denne bruksanvisningen og på produktet brukes sikkerhetssymboler og signalord for å formidle viktig sikkerhetsinformasjon. Denne delen er skrevet for å forbedre forståelsen av disse signalordene og symbolene.



Dette er symbolet for sikkerhetsadvarsel. Det brukes for å advare om mulig fare for personskade. Følg alle sikkerhetsadvarsler etter dette symbolet for å unngå mulig skade eller død.



FARE FARE indikerer en farlig situasjon som kan føre til dødsfall eller alvorlig personskade hvis den ikke unngås.



ADVARSEL ADVARSEL viser til en farlig situasjon som kan føre til dødsfall eller alvorlig personskade hvis den ikke unngås.



FORSIKTIG FORSIKTIG viser til en farlig situasjon som kan føre til lett eller moderat personskade hvis den ikke unngås.



MERK MERK viser til informasjon knyttet til beskyttelse av eiendom.



Dette symbolet betyr at du bør lese brukerhåndboken grundig før du tar utstyret i bruk. Bruksanvisningen inneholder viktig informasjon om trygg og riktig bruk av utstyret.



Dette symbolet betyr at dette apparatet inneholder en laser i klasse 2.



Dette symbolet betyr at du ikke må se rett mot laserstrålen.



Dette symbolet varsler om nærvær av og fare fra en laserstråle.

Generelle sikkerhetsbestemmelser

▲ ADVERSEL

Les alle sikkerhetsadvarsler og alle instruksjoner. Hvis advarsler og instruksjoner ikke følges, kan det resultere i elektrisk støt, brann og/eller alvorlig personskade.

TA VARE PÅ DISSE ANVISNINGENE.

CE-samsvarserklæringen (890-011-320.10) vil følge med denne håndboken som en separat brosjyre der det er påkrevet.

Sikkerhet på arbeidsstedet

- **Hold arbeidsområdet ditt rent og godt opplyst.** Det oppstår lettere uhell på rotete eller mørke arbeidssteder.
- **Bruk ikke utstyr i atmosfærer med eksplosive stoffer, som for eksempel i nærheten av antennelige væsker, gasser eller støv.** Utstyr skaper gnister som kan antenne støv eller gasser.
- **Hold barn og andre personer på avstand mens utstyret brukes.** Hvis du blir forstyrret, kan du miste kontrollen.

El-sikkerhet

- **Unngå berøring med jordete overflater som vannrør, radiatorer, komfyrer og kjøleskap.** Det er økt fare for elektrisk støt hvis kroppen din er jordet.
- **Utstyr må ikke eksponeres for regn eller fuktighet.** Inntrenging av vann i utstyr øker risikoen for elektrisk støt.

Personlig sikkerhet

- **Vær årvåken og oppmerksom på det du gjør, og bruk sunn fornuft når utstyret brukes. Ikke bruk utstyret hvis du er trett eller påvirket av narkotika, alkohol eller medisiner.** Et øyeblikks uoppmerksomhet når du bruker utstyret, kan føre til alvorlig personskade.

- **Bruk personlig verneutstyr.** Bruk alltid øyebeskyttelse/vernebriller. Bruk av verneutstyr som støvmaske, vernesko med antisklisåle, hjelm og hørselvern, avhengig av hvilken type el-verktøy du bruker og hvordan du bruker det, reduserer personskader.
- **Ikke strekk deg for langt. Sørg for å ha sikkert fotfeste og god balanse hele tiden.** Dette gir bedre kontroll over el-verktøyet i uforutsette situasjoner.

Bruk og håndtering av utstyret

- **Ikke bruk makt på utstyret. Bruk korrekt utstyr for jobben som skal gjøres.** Korrekt utstyr vil gjøre jobben bedre og sikrere innenfor den nominelle kapasiteten det er konstruert for.
- **Ikke bruk utstyr hvis bryteren ikke kan slå det PÅ og AV.** Verktøy som ikke kan kontrolleres med bryteren, er farlig og må repareres.
- **Kople batteriene fra utstyret før du foretar eventuelle justeringer, skifter tilbehør eller legger det til oppbevaring.** Slike forebyggende sikkerhetstiltak reduserer risikoen for personskade.
- **Oppbevar utstyr som ikke er i bruk, utenfor barns rekkevidde, og ikke la utstyret brukes av personer som ikke er fortrolig med det eller med disse instruksjonene.** Utstyret kan være farlig hvis det brukes av personer som ikke har fått opplæring.
- **Vedlikehold av utstyret.** Kontroller at det ikke er feiljusteringer eller forkiling i bevegelige deler, at det ikke mangler deler og at det ikke er brudd på deler eller andre forhold som kan redusere utstyrets ytelse. Hvis utstyret er skadet, må det repareres før bruk. Mange ulykker skyldes dårlig vedlikeholdt utstyr.
- **Bruk utstyret og tilbehøret i henhold til disse instruksjonene, og ta hensyn til arbeidsforholdene og selve arbeidet som skal utføres.** Å benytte utstyret til annen bruk enn det er beregnet på, kan føre til farlige situasjoner.
- **Bruk bare tilbehør som er anbefalt av utstyrets produsent.** Tilbehør som kan være egnet for en utstyrstype, kan være farlig når det brukes sammen med annet utstyr.

- **Hold håndtakene tørre, rene og fri for olje og fett.** Dette vil gi bedre kontroll over utstyret.

Service

- **Få utstyret undersøkt av en kvalifisert reparatør som kun bruker identiske reservedeler.** Dette sikrer at verktøyet sikkerhet opprettholdes.

Spesifikk sikkerhetsinformasjon

▲ ADVARSEL

Denne delen inneholder viktig sikkerhetsinformasjon som er spesifikk for dette verktøyet.

Les disse forholdsreglene nøye før du bruker RIDGID's mikro IR-200 kontaktløse infrarøde termometer for å redusere faren for brann, eksplosjon eller andre alvorlige personskader.

TA VARE PÅ DISSE ANVISNINGENE.

Oppbevar denne håndboken sammen med verktøyet, slik at operatøren kan ha den for hånden.

Sikkerhet i forbindelse med infrarødt termometer

- **Ikke se rett mot laserstrålen.** Det kan være farlig for øynene å se rett mot laserstrålen. Ikke se rett mot laserstrålen med optiske hjelpemidler (som kikkerter eller teleskoper).
- **Ikke rett laserstrålen mot andre mennesker.** Pass på at laseren sikter over eller under øyenes nivå. Laserstråler kan være farlige for øynene.
- **Ikke bruk dette apparatet for personlige eller medisinske undersøkelser.** Dette er ikke et medisinsk apparat. Dette kan føre til personskade.

- **Ta de nødvendige forholdsreglene når du arbeider i nærheten av elektriske, bevegelige eller varme deler.** Nær kontakt kan føre til at du får elektrisk støt, setter deg fast, får forbrenninger eller andre alvorlige skader. Det er mulig du trenger verneutstyr.

▲ FORSIKTIG Bruk av styringer, justeringer eller ytelsesprosedyrer annet enn det som er spesifisert her, kan føre til farlig stråling.

Hvis du har spørsmål vedrørende dette RIDGID® -produktet:

- Kontakt din lokale RIDGID-forhandler.
- Gå til RIDGID.com for å finne din lokale RIDGID-kontakt.
- Kontakt Ridge Tools tekniske serviceavdeling på e-postadressen rttechservices@emerson.com, eller ring (800) 519-3456 i USA og Canada.

Beskrivelse, spesifikasjoner og standardutstyr

Beskrivelse

RIDGID® mikro IR-200 kontaktløst infrarødt termometer gir enkle, raske og nøyaktige målinger av overflatetemperatur med et tastetrykk. Du trykker ganske enkelt på avtrekkeren og peker de ultraskarpe doble laserne i klasse II mot overflaten som skal måles. Mikro IR-200 gir en rask temperaturmåling på et klart LCD-display med motlys som er lett å avlese. I tillegg til en rekke andre bruksområder setter dette robuste og kompakte instrumentet fagfolk i stand til å diagnostisere varme- og ventilasjonsproblemer, foreta forebyggende overvåking av elektriske motorer og systemer, løse problemer med kondenspotter og raskt kontrollere at sikringer og krets Brytere ikke er gått varme, alt uten kontakt.

Mikro IR-200 bruker optikk for å føle avgitt, reflektert og overført energi, som er samlet og fokusert på en detektor. Enhetens elektronikk omsetter informasjonen til en temperaturavlesning som vises på displayet. Lasere brukes som hjelp til å sikte.

Spesifikasjoner

Temperaturområde.....	-58°F til 2192°F (-50°C til 1200°C)
Forholdet mellom avstand til flekk.....	30 til 1
Målenøyaktighet.....	-58°F ~68°F(50°C ~20°C): ±4,5°F (2,5°C) 68°F ~1472°F (20°C ~800°C) ±1,0% eller ±1.8°F (1,0°C)
Gjentakbarhet.....	-58°F ~68°F (50°C ~20°C): ±2,3°F (1,3°C) 68°F ~1472°F (20°C ~800°C) ±0,5% eller ±0.9°F (0,5°C)
Responstid.....	150 ms
Spektral respons.....	8~14 um
Emisjonsfaktor.....	Justerbar, 0,10 - 1,00
Angivelse for over verdiområdet.....	LCD viser "----"
Diodelaser.....	Effekt <1 mW, bølgelengde 630~670nm, laserprodukt i klasse 2
Temperaturdisplay.....	Gjeldende temperatur, MAKS-temperatur
Måleenheter.....	Fahrenheit, Celsius
Drifttemperatur.....	32°F til 122°F (0°C til 50°C)
Lagringstemperatur.....	14°F til 140°F (-10°C til 60°C)
Displayoppløsning.....	0.1°F (0,1°C)
Relativ fuktighet.....	10%~90% RF under drift, <80% RF under oppbevaring
Batterier.....	9V batteri (1), NEDA 1604A eller IEC 6LR61, eller tilsvarende
IP-klassifisering.....	IP54
Vekt.....	0.6 lbs (0,3 kg)

Funksjoner

- Rask deteksjonsfunksjon
- Sikting med dobbelt laser i klasse II
- Automatisk datapause
- MAKS-temperatur vises
- Presise kontaktløse målinger
- Automatisk verdiområde for seleksjon og displayoppløsning 0.1°F (0,1°C)
- LCD-display med motlys
- Avtrekkerlås
- Innstilling av høy og lav alarm
- Justerbar emissivitet



Figur 1 – mikro IR-200 kontaktløst infrarødt termometer

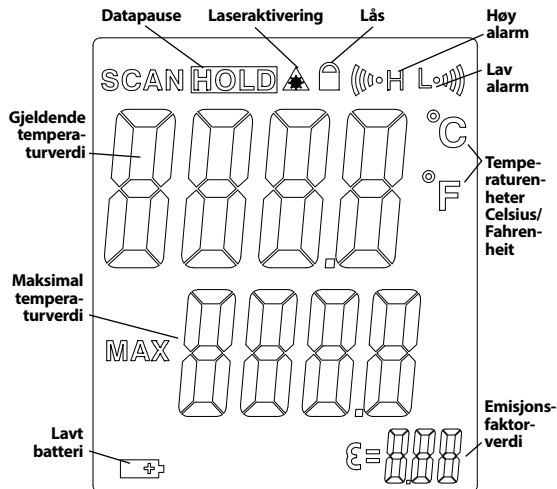
Deler



Figur 2 – mikro IR-200, deler



Ikoner på LCD-displayet



Figur 3 – mikro IR-200, ikoner på displayet

Standardutstyr

- mikro IR-200
- Bæreseske
- Batteri 1 x 9V
- Bruksanvisning

MERK Dette utstyret brukes til å gjøre temperaturmålinger. Gal bruk eller upassende anvendelse kan føre til gale eller upresise målinger. Valg av målemetoder som passer til forholdene, er brukerens ansvar.

Laserklassifikasjon



RIDGID mikro IR-200 genererer en synlig laserstråle som sendes ut fra forsiden av apparatet.

Apparatet retter seg etter klasse 2-lasere i samsvar med: IEC 60825-1:2007

FCC-erklæring

Dette utstyret er blitt testet og er i samsvar med grensene for digitale enheter i klasse B, i henhold til del 15 av FCC-reglene. Disse grensene er laget for å gi tilstrekkelig beskyttelse mot skadelig interferens i en boliginstallasjon.

Dette utstyret genererer, bruker og kan sende ut radiofrekvensenergi, og kan forårsake skadelig interferens på radiokommunikasjon hvis det ikke brukes i samsvar med instruksjonene.

Det er likevel ingen garanti for at ikke interferens kan oppstå i enkelte installasjoner.

Hvis dette utstyret skulle forårsake skadelig interferens på radio eller TV-signaler, noe som kan kontrolleres ved å skru utstyret av og på, oppfordres brukeren til å korrigere interferensen ved å ta ett eller flere av følgende skritt:

- Reorienter eller flytt antennen.
- Øk avstanden mellom sender og mottaker.
- Konsulter en forhandler eller en erfaren radio/TV tekniker.

Elektromagnetisk kompatibilitet (EMC)


Uttrykket elektromagnetisk kompatibilitet forstås som produktets evne til å fungere smertefritt i et miljø der det foreligger elektromagnetisk stråling og elektrostatisk utladninger uten å føre til elektromagnetisk interferens på annet utstyr.

MERK RIDGID mikro IR-200 er i samsvar med alle gjeldende EMC-standarder. Det er imidlertid umulig å utelukke muligheten for interferens på andre apparater.



Figur 4 – Fjerne batterilommen

Skifte/Installerer batterier

Mikro IR-200 leveres med et batteri ferdig installert. Hvis batterilampen (Figur 3)  vises, må batteriet skiftes. Fjern batteriet før langvarig oppbevaring for å unngå batterilekkasje.

1. Klem på batteriklemmene og ta batterilommen ut av termometeret (Figur 4). Om nødvendig tar du ut batteriet.
2. Installer et 9 V alkalisk batteri (6LR61) mens du overholder korrekt polaritet som anvist på batterilommen.



Figur 5 – Batteriholder og polaritetsmarkering

3. Klem sammen klemmene og stikk det godt inn i termometeret. Holderen vil bare gå inn en vei. Ikke bruk makt. Sjekk at den sitter godt fast.

Inspeksjon før bruk

⚠ ADVARSEL

Før hver bruk må du inspisere det infrarøde termometeret og korrigerer eventuelle problemer for å redusere faren for skade eller gale målinger.

Ikke se rett mot laserstrålen. Det kan være farlig for øynene å se rett mot laserstrålen.

1. Rens utstyret for eventuell olje, fett eller smuss. Dette gjør inspeksjonen enklere.

2. Undersøk om mikro IR-200 har ødelagte, slitte, manglende, skjeve eller fastkilte deler, eller om det er andre forhold som kan hindre sikker og normal bruk.
3. Sjekk at varselmerkene er på plass, sitter godt og er leselige (Figur 6).
4. Ikke bruk det infrarøde termometeret før det har fått korrekt service hvis du oppdager eventuelle problemer i løpet av inspeksjonen.
5. Følg Brukerveiledningen og slå det infrarøde termometeret PÅ, gjør en måling og bekreft den samme målingen med et annet instrument (kontakttermometer o.l.). Hvis korrelasjonen mellom målingene ikke er akseptabel, må du ikke bruke det infrarøde termometeret før det har fått skikkelig service.



Figur 6 – Varselmerker



Klargjøring og bruk

⚠ ADVARSEL



Ikke se rett mot laserstrålen. Det kan være farlig for øynene å se rett mot laserstrålen. Ikke se rett mot laserstrålen med optiske hjelpemidler (som kikkerter eller teleskoper).

Ikke rett laserstrålen mot andre mennesker. Pass på at laseren sikter over eller under øyenes nivå. Laserstråler kan være farlige for øynene.

Ta de nødvendige forholdsreglene når du arbeider i nærheten av elektriske, bevegelige eller varme deler. Nærkontakt kan føre til at du får elektrisk støt, setter deg fast, får forbrenninger eller andre alvorlige skader. Det er mulig du trenger verneutstyr.

Klargjør og betjen det infrarøde termometeret i samsvar med disse fremgangsmåtene for å redusere faren for skade og gale målinger.

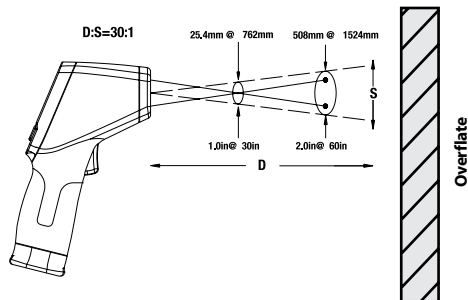
Klargjøring

1. Kontroller at arbeidsområdet er egnet som vist i delen *Generell sikkerhet*.
2. Inspiser gjenstanden som det måles til og bekreft at du har korrekt utstyr for applikasjonen. *Se delen Spesifikasjoner* for å få opplysninger om rekkevidde, nøyaktighet og annen informasjon.

Det er en rekke faktorer som kan påvirke nøyaktigheten til mikro IR-200, blant andre:

Synsfelt – Mikro IR-200 bruker to lasere til å projisere punkter på hver side av området som skal måles. Disse punktene viser den omtrentlige diameteren til området ("flekken") som temperaturen

måles på. Etter hvert som mikro IR-200 flytter seg videre (D) bort fra overflaten, øker dette området og flekkstørrelsen (S). Området er ca. 1/30 ganger avstanden til overflaten. (Se figur 7).



Figur 7 – Synsfelt

Flekken bør alltid være mindre enn overflaten. Jo mindre flate, desto nærmere bør mikro IR-200 være overflaten. Du får størst nøyaktighet når flaten er to ganger så stor som flekken.

Emissivitet – Emissivitet er en betegnelse brukt for å beskrive den energimitterende egenskapene til materialer og har en verdi som går fra 0 til 1. mikro IR-200 tillater justering av emisjonsfaktoren fra 0,10 til 1,00 for å kalkulere temperaturer. Hvis de emitterende egenskapene til en overflate ikke er kjent, kan en emisjonsfaktor på 0,95 være passende for mange applikasjoner, som malte overflater. Emissivitetsverdier for vanlige materialer er inkludert i *Figur 8*.

Materiale	Emissivitet	Materiale	Emissivitet
Aluminium, polert	0,05	Maling	0,95
Asfalt	0,88	Papir, hvitt	0,90
Murstein	0,90	Gips, ru	0,89
Betong, ru	0,91	Gummi	0,93
Kobber, polert	0,04	Stål, galvanisert	0,28
Glass	0,95	Stål, oksidert	0,88
Kalkstein	0,92	Vann	0,96
Marmor, polert	0,90		

Figur 8 – Emissivitetsverdier for vanlige materialer

Temperatur – Mens mikro IR-200 kompenserer for variasjon fra temperaturen i omgivelsene, kan store endringer i omgivelsestemperaturen og målt temperatur redusere nøyaktigheten. Når du møter betydelige endringer i omgivelsestemperaturen (mer enn 30°F eller 17°C), må du la det gå femten minutter slik at mikro IR-200 kan justere seg for å få best nøyaktighet.

Hindringer – Damp, støv, røyk og andre hindringer som glass eller plast mellom mikro IR-200 og overflaten som måles, kan redusere nøyaktigheten. Disse hindrer enhetens optikk, eller gir gale avlesninger (måler temperaturen i glasset i stedet for på overflaten). Må ikke brukes når disse hindringene er til stede.

3. Forsikre deg om at alt utstyr er blitt korrekt undersøkt.

Betjening

Slå PÅ og AV (Ta målinger)

1. Hold mikro IR-200 i håndtaket og pek den mot overflaten som skal måles. Hold borte fra eventuelle elektriske, bevegelige eller varme deler. Pass på at enheten peker i en trygg retning bort fra eventuelle tilskuere før du slår den PÅ.

2. Trykk på avtrekkeren for å slå mikro IR-200 PÅ. Når det trykkes på avtrekkeren, er ikonet SCAN PÅ, og mikro IR-200 vil kontinuerlig oppdatere den viste gjeldende temperaturverdien og vise maksimal temperaturverdi siden enheten ble slått PÅ.

Mikro IR-200 kan bevegges langsomt over overflaten for å lokalisere varme eller kjølige områder. *Se avsnittene Høy alarm og Lav alarm* hvis du vil ha opplysninger om høye og lave alarminnstillinger.

3. Når avtrekkeren slippes, er ikonet HOLD PÅ. Mikro IR-200 slås automatisk AV etter syv sekunder med mindre enheten er i modus for kontinuerlig måling.

mikro IR-200s betjeningslementer



Figur 9 – mikro IR-200, display/knapper

Modus for kontinuerlig måling (Skanning)

Mikro IR-200 kan låses PÅ for å tillate målinger uten at du holder på avtrekkeren. Pass på at enheten peker i en trygg retning bort fra eventuelle tilskuere før du slår den PÅ. Slå mikro IR-200 PÅ ved å trykke på og holde inn avtrekkeren. Mens du holder inne avtrekkeren, trykker du på og slipper menyknappen. Ikonene SCAN og Lås vil være PÅ. Slipp avtrekkeren, og mikro IR-200 vil kontinuerlig oppdatere den målte temperaturen til avtrekkerbryteren trykkes inn og slippes igjen.

Laser aktivert/deaktivert

Om nødvendig kan laserne som brukes til sikting, slås av for å spare batteriet. Hvis dette gjøres, må du være ekstra nøye når du sikter med mikro IR-200 for å sikre gode avlesninger. Trykk og slipp laseraktiveringsknappen for å aktivere eller deaktivere mens du trykker på avtrekkeren. Laseraktiveringsikonet vil være PÅ når laseren er aktivert.

Motlys

Hvis du bruker apparatet i en dårlig opplyst område, er mikro IR-200 utstyrt med motlys på displayet. Trykk på motlysknappen for å slå motlyset PÅ og AV, med enheten PÅ.

Bruk av menyknapper

Etter at du har trykket på avtrekkeren, vil du kunne bla gjennom følgende innstillinger i denne rekkefølgen ved å trykke på menyknappen og slippe den: Høy alarm PÅ/AV, Temperaturinnstilling for høy alarm, Lav alarm PÅ/AV, Temperaturinnstilling for lav alarm, Temperaturdisplayenheter, Emissivitet.

Høy alarm

Høy alarm vil avgi en hørbar lyd når gjeldende temperatur overskrider en forhåndsdefinert grense. For å slå høy alarm PÅ trykker du på og slipper avtrekkeren, og deretter trykker du på og slipper menyknappen til ikonet for høy alarm blinker. Bruk opp/ned-knappene til å slå funksjonen høy alarm PÅ/AV som angitt på den gjeldende temperaturverdilinjen. Trykk på og slipp menyknappen igjen. Ikonet for høy alarm vil fortsette å blinke, og temperaturen for høy alarm vil vises. Bruk opp/ned-knappene for å endre temperaturen for høy alarm etter behov. Trykk på avtrekkeren for å gå ut av innstillingsmodus og lagre valget ditt.

Lav alarm

Lav alarm vil avgi en hørbar lyd når gjeldende temperatur overskrider en forhåndsdefinert grense. For å slå lav alarm PÅ trykker du på og slipper avtrekkeren, og deretter trykker du på og slipper menyknappen til ikonet for lav alarm blinker. Bruk opp/ned-knappene til å slå funksjonen lav alarm PÅ/AV som angitt på den gjeldende temperaturverdilinjen. Trykk på og slipp menyknappen igjen. Ikonet for lav alarm vil fortsette å blinke, og temperaturen for lav alarm vil vises. Bruk opp/ned-knappene for å endre temperaturen for lav alarm etter behov. Trykk på avtrekkeren for å gå ut av innstillingsmodus og lagre valget ditt.

Enheter på temperaturdisplayet - °C/°F

Mikro IR-200 kan vise temperaturer enten i grader Celsius (C) eller Fahrenheit (F). Hvis du vil endre displayenheten, trykker du på og slipper avtrekkeren, deretter trykker du på og slipper menyknappen til temperaturenheten på skjermen blinker. Bruk opp/ned-knappene for å skifte mellom C eller F etter behov. Trykk på avtrekkeren for å gå ut av innstillingsmodus og lagre valget ditt.

Emissivitet

Emissivitetsverdien kan stilles inn fra 0,10 til 1,00. Se avsnittet om oppsett for å avgjøre en egnet verdi for din applikasjon. For å endre denne verdien, trykker du på og slipper avtrekkeren, deretter trykker du på og slipper menyknappen til emissivitetsverdien på skjermen blinker. Bruk opp-/ned-knappene for å øke eller redusere emissivitetsverdien. Trykk på avtrekkeren for å gå ut av innstillingsmodus og lagre valget ditt.

Rengjøring

Ikke dypp RIDGID mikro IR-200 kontaktløst infrarødt termometer i vann. Tørk av smuss med en fuktig klut. Ikke bruk aggressive rengjøringsmidler eller løsninger. Du må behandle instrumentet på samme måte som et teleskop eller et kamera.

Lagring

RIDGID mikro IR-200 infrarødt termometer må oppbevares på et tørt, sikkert sted med en temperatur mellom 14°F (-10°C) og 140°F (60°C).

Lagre verktøyet på et låst område utenfor rekkevidden til barn og folk som ikke er fortrolige med mikro IR-200.

Ta ut batteriet før en lengre oppbevaringsperiode eller forsendelse for å unngå batterilekkasje.

Service og reparasjon

⚠ ADVARSEL

Gal service eller reparasjon kan gjøre RIDGID mikro IR-200 kontaktløst infrarødt termometer utrygt å bruke.

Vedlikehold og reparasjon på mikro IR-200 må utføres av et autorisert RIDGID servicesenter.

For informasjon om nærmeste RIDGID-autoriserte uavhengige service-senterer eller eventuelle service- eller reparasjonsspørsmål:

- Kontakt din lokale RIDGID-forhandler.
- Gå til RIDGID.com for å finne din lokale Ridge Tool-kontakt.
- Kontakt Ridge Tools tekniske serviceavdeling på e-postadressen rttechservices@emerson.com, eller ring (800) 519-3456 i USA og Canada.

Avfallshåndtering

Deler av RIDGID mikro IR-200 kontaktløst infrarødt termometer inneholder verdifulle materialer og kan resirkuleres. Det kan finnes lokale selskaper som er spesialister innen resirkulering. Avhend komponentene i samsvar med gjeldende bestemmelser. Kontakt din lokale avfallsmyndighet for mer informasjon.



For land i EU: Ikke kast elektrisk utstyr sammen med husholdningsavfall!

I henhold til europeiske retningslinjer 2012/19/EU for elektrisk- og elektronisk avfall og implementering i nasjonal lovgivning, må elektrisk utstyr som ikke lenger er brukbart samles opp separat, og avhendes på en miljømessig korrekt måte.

Avhending av batterier

For land i EU: Defekte eller brukte batterier må resirkuleres i henhold til retningslinjen 2012/19/EU.

micro IR-200

micro IR-200 Kosketukseton infrapunalämpömittari



VAROITUS

Lue tämä käyttäjän käsikirja huolellisesti ennen tämän työkalun käyttöä. Jos tämän käyttöohjeen sisältö ymmärretään väärin tai sitä ei noudateta, seurauksena voi olla sähköisku, tulipalo ja/tai vakava loukkaantuminen.

micro IR-200 Kosketukseton infrapunalämpömittari

Merkitse sarjanumero alla olevaan tilaan ja säilytä tyypikkilivessä näkyvä tuotteen sarjanumero.

Sarja-
nro

Sisällysluettelo

Tallennuslomake koneen sarjanumerolle	139
Turvallisuussymbolit	141
Yleisiä turvallisuusohjeita	142
Työalueen turvallisuus.....	142
Sähköturvallisuus.....	142
Henkilökohtainen turvallisuus.....	142
Laitteen käyttö ja huolto.....	142
Huolto.....	143
Erityisiä turvallisuustietoja	143
Infrapunalämpömittarin turvallisuus.....	143
Kuvaus, tekniset tiedot ja vakiolaitteet	143
Kuvaus.....	143
Tekniset tiedot.....	144
Osat.....	145
LCD-näytön kuvakkeet.....	145
Vakiovarusteet.....	145
Laserluokitus	146
FCC-lausunto	146
Sähkömagneettinen yhteensopivuus (EMC)	146
Paristojen vaihto/Asennus	146
Käyttöä edeltävä tarkastus	147
Valmistelut ja käyttö	148
Valmistelut.....	148
Käyttö	149
Laitteen kytkeminen päälle ja pois (Mittausten tekeminen).....	149
micro IR-200 Säätimet	149
Jatkuvan mittauksen (Skannauksen) tila.....	150
Laserin kytkeminen päälle/pois.....	150
Taustavalo.....	150

Valikkopainikkeen käyttö.....	150
Yläraja-hälytys.....	150
Alaraja-hälytys.....	150
Lämpötilan näyttöyksiköt - °C/°F.....	150
Emissiivisyys.....	151
Puhdistus	151
Säilytys	151
Huolto ja korjaus	151
Hävittäminen	151
Pariston hävittäminen	151
EY-vaatimustenmukaisuusvakuutus	Takakannen sisäpuoli
Elinikäinen takuu	Takakansi

* Alkuperäisten ohjeiden käännös

Turvallisuussymbolit

Tässä käyttöohjeessa ja tuotteessa annetaan tärkeitä turvallisuustietoja käyttämällä turvallisuussymboleja ja signaalisanoja. Tässä osiossa kuvataan nämä signaalisanat ja symbolit.



Tämä on turvallisuusasiasta varoittava symboli. Sitä käytetään varoittamaan vaaroista, joista voi olla seurauksena henkilövahinko. Noudata symbolin perässä annettuja turvallisuusohjeita, jotta vältät mahdollisen loukkaantumisen tai kuoleman.



VAARA VAARA osoittaa vaarallisen tilanteen, josta on seurauksena kuolema tai vakava loukkaantuminen, ellei sitä vältetä.



VAROITUS VAROITUS osoittaa vaarallisen tilanteen, josta voi olla seurauksena kuolema tai vakava loukkaantuminen, ellei sitä vältetä.



VARO VARO osoittaa vaarallisen tilanteen, josta voi olla seurauksena lievä tai kohtuullinen loukkaantuminen, ellei sitä vältetä.



HUOMAUTUS HUOMAUTUS viittaa tietoihin, jotka koskevat omaisuusvahinkojen välttämistä.



Tämä symboli tarkoittaa, että käyttäjän käsikirja on luettava huolellisesti ennen laitteen käyttämistä. Käyttöohje sisältää tärkeitä tietoja laitteen turvallisesta ja oikeaoppisesta käytöstä.



2 Tämä symboli tarkoittaa, että laite on luokan 2 lasertuote.



Tämä symboli tarkoittaa, että suoraan lasersäteeseen ei saa katsoa.



Tämä symboli varoittaa lasersäteen läsnäolosta ja sen aiheuttamasta vaarasta.

Yleisiä turvallisuusohjeita

▲ VAROITUS

Lue kaikki varoitukset ja ohjeet. Varoitusten ja ohjeiden noudattamatta jättäminen saattaa johtaa sähköiskuun, tulipaloon ja/tai vakavaan loukkaantumiseen.

SÄILYTÄ NÄMÄ OHJEET!

EY-vaatimustenmukaisuusvakuutus (890-011-320.10) toimitetaan pyydettyäessä käyttöohjeen mukana erillisenä vihkosena.

Työalueen turvallisuus

- **Pidä työalue siistinä ja hyvin valaistuna.** Epäsiisti tai pimeä työalue altistaa onnettomuuksille.
- **Älä käytä laitetta räjähdysvaarallisissa tiloissa, kuten tiloissa, joissa on syttyviä nesteitä, kaasuja tai pölyä.** Laitteesta voi syntyä kipinöitä, jotka saattavat sytyttää pölyn tai höyryt.
- **Älä käytä laitetta lasten tai sivullisten läheisyydessä.** Häiriötekijät saattavat johtaa hallinnan menettämiseen.

Sähköturvallisuus

- **Vältä keuhkosketusta maadoitettuihin pintoihin, kuten putkiin, lämpöpattereihin, liesiin ja jääkaappeihin.** Sähköiskun vaara kasvaa, jos käyttäjän keho on maadoitettu.
- **Älä altista laitetta sateelle tai märille olosuhteille.** Veden pääsy laitteen sisälle lisää sähköiskun vaaraa.

Henkilökohtainen turvallisuus

- **Ole valppaana, keskity tehtävääsi ja käytä tervettä järkeä laitteen käytön aikana.** Älä käytä laitetta väsyneenä tai huumeiden, alkoholin tai lääkkeiden vaikutuksen alaisena. Hetkellinen tarkkaavaisuuden herpaantuminen laitetta käytettäessä saattaa johtaa vakavaan loukkaantumiseen.

- **Käytä henkilösuojaimia.** Käytä aina suojalaseja. Suojavarusteiden, kuten hengityssuojaimen, liukumattomilla pohjilla varustettujen turvakkenkien, suojakypärän ja kuulonsuojaimien käyttö vähentää loukkaantumisvaaraa.
- **Älä kurottele. Pidä jalkasi tukevalla alustalla ja pidä tasapainoasi.** Näin voit parantaa sähkötyökalun hallintaa yllättävissä tilanteissa.

Laitteen käyttö ja huolto

- **Älä pakota laitetta. Käytä käyttökohteeseen soveltuvaa laitetta.** Laite toimii tehokkaammin ja turvallisemmin, jos käytät sitä sopivalla pyörimisnopeudella.
- **Älä käytä laitetta, jos sitä ei voida käynnistää ja pysäyttää katkaisimella.** Jos sähkötyökalua ei voi hallita kytkimellä, se on vaarallinen. Tällöin se on korjattava.
- **Poista paristot laitteesta ennen säätöjen tekemistä, lisävarusteiden vaihtamista tai varastointia.** Nämä turvatoimet vähentävät loukkaantumisvaaraa.
- **Kun laitetta ei käytetä, säilytä sitä lasten ulottumattomissa äläkä salli laitetta tai näitä ohjeita tuntemattomien henkilöiden käyttäjä laitetta.** Laite voi olla vaarallinen tottumattomien käyttäjien käsissä.
- **Huolla laitetta.** Tarkista kulmavirheet ja liikkuvien osien kiinnitys, puuttuvat osat, osien eheys ja muut laitteen käyttöön vaikuttavat asiat. Vaurioitunut laite on korjattava ennen käyttöä. Monet onnettomuudet johtuvat huonosti huolletuista laitteista.
- **Käytä laitetta ja lisävarusteita näiden ohjeiden mukaisesti ja ota huomioon työolosuhteet ja suoritettava työ.** Laitteen käyttö muuhun kuin sille aiottuun tarkoitukseen saattaa johtaa vaaratilanteeseen.
- **Käytä vain lisävarusteita, joita valmistaja suosittelee käytettäväksi laitteen kanssa.** Tietyille laitteelle sopivat lisävarusteet saattavat olla vaarallisia, jos niitä käytetään jossain muussa laitteessa.
- **Pidä kahvat kuivina ja puhtaina. Pyyhi pois öljy ja rasva.** Näin laitteen hallittavuus paranee.

Huolto

- Anna pätevän korjaajan huoltaa laite käyttäen ainoastaan identtisiä varaosia. Tämä varmistaa sähkötyökalun turvallisuuden.

Erityisiä turvallisuustietoja

▲ VAROITUS

Tämä kohta sisältää nimenomaan tähän työkaluun liittyviä tärkeitä turvallisuusohjeita.

Lue nämä ohjeet huolellisesti ennen kosketuksettoman RIDGID® micro IR-200 -infrapunalämpömittarin käyttöä tulipalo-, räjähdys- ja vakavien henkilövahinkojen vaaran pienentämiseksi.

SÄILYTÄ NÄMÄ OHJEET!

Säilytä tämä käsikirja työkalun yhteydessä, jotta se on käyttäjän käytettävissä.

Infrapunalämpömittarin turvallisuus

- **Älä katso suoraan lasersäteeseen.** Lasersäteeseen katsominen voi olla vaarallista silmille. Älä katso lasersäteeseen optisilla apuvälineillä (kuten kiikarilla tai teleskoopilla).
- **Älä suuntaa lasersädettä ihmisiä kohti.** Varmista, että lasersäde suunnataan silmien tason ylä- tai alapuolelle. Lasersäteet voivat olla vaarallisia silmille.
- **Älä käytä tätä laitetta millään tavalla henkilökohtaisiin tutkimuksiin tai lääketieteellisiin tarkoituksiin.** Tämä ei ole lääketieteellinen laite. Tämä voi aiheuttaa henkilövahingon.
- **Ryhdy tarvittaviin varotoimenpiteisiin sähköisten, liikkuvien tai kuumien osien läheisyydessä työskennellessä.** Lähikosketus voi aiheuttaa sähköiskun, kiinni tarttumisen, palovammoja tai muita vakavia vammoja. Suojavarusteiden käyttö voi olla tarpeen.

▲ VARO Muiden kuin tässä määriteltyjen säätimien tai säätöjen käyttö tai toimenpiteiden suorittaminen voi johtaa vaaralliseen säteilyaltistukseen.

Jos sinulla on kysyttävää tästä RIDGID®-tuotteesta:

- Ota yhteys paikalliseen RIDGID-jälleenmyyjään.
- Lähimmän RIDGID-edustajan löydät osoitteesta RIDGID.com.
- Ota yhteys Ridge Toolin tekniseen huolto-osastoon osoitteessa rtctechservices@emerson.com tai soittamalla Yhdysvalloissa ja Kanadassa numeroon (800) 519-3456.

Kuvaus, tekniset tiedot ja vakiolaitteet

Kuvaus

Kosketukseton RIDGID® micro IR-200-infrapunalämpömittari mahdollistaa helpot, nopeat ja tarkat pintalämpötilalukemat yhdellä painikkeen painalluksella. Painat vain liipaisinta ja suuntaat ultra-terävät luokan II lasersäteet mitattavalle pinnalle. micro IR-200 näyttää lämpötilan mittaustuloksen välittömästi selkeässä, helpolukuisessa ja taustavalaistussa LCD-näytössä. Monien muiden käyttökohteiden lisäksi ammattilaiset voivat käyttää tätä kestäväää ja kompaktia mittalaitetta lämmitys- ja ilmanvaihto-ongelmien diagnooseihin, sähkömoottorien ja -järjestelmien ennakoivaan valvontaan, höyryloukkujen vianetsintään sekä sulakkeiden ja katkaisimien ylikuumenemisen nopeaan kosketuksettomaan tarkastukseen.

micro IR-200 käyttää optiikkaa säteilevän, heijastuvan ja lähetettävän energian tunnistamiseen keräämällä ja tarkentamalla sen ilmaisiin. Laitteen elektroniikka muuntaa tiedot lämpötilalukemaksi, joka näytetään näytöllä. Suuntauksen apuna käytetään lasereita.

Tekniset tiedot

Lämpötila-alue.....	-58°F to 2192°F (-50°C - 1200°C)
Etäisyyden suhde mittauspisteeseen.....	30:1
Mittaustarkkuus.....	-58°F ~68°F (50°C ~20°C): ±4,5°F (2,5°C) 68°F ~1472°F (20°C ~800°C) ±1,0% tai ±1,8°F (1,0°C)
Toistettavuus.....	-58°F ~68°F (50°C ~20°C): ±2,3°F (1,3°C) 68°F ~1472°F (20°C ~800°C) ±0,5% tai ±0,9°F (0,5°C)
Reaktioaika.....	150 ms
Spektrivaste.....	8~14 um
Emissiivisyys.....	Säädettävä, 0,10 - 1,00
Alueen ylityksen ilmaisu.....	LCD näyttää "----"
Diodilaser.....	Lähtöteho <1mW, aallonpituus 630~670 nm, luokan 2 lasertuote
Lämpötilänäyttö.....	Nykyinen lämpötila, Maksimilämpötila
Mittayksiköt.....	Fahrenheit, Celsius
Käyttölämpötila.....	32°F to 122°F (0°C - 50°C)
Säilytyslämpötila.....	14°F to 140°F (-10°C - 60°C)
Näytön tarkkuus.....	0,1°F (0,1°C)
Suhteellinen kosteus.....	10%~90% RH käyttö, <80% RH säilytys
Paristot.....	9V-paristo (1), NEDA 1604A tai IEC 6LR61, tai vastaava
IP-luokitus.....	IP54
Paino.....	0,6 lbs (0,3 kg)

Ominaisuudet

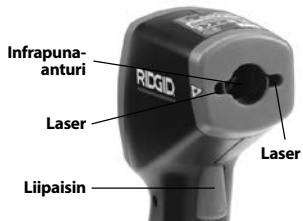
- Nopea ilmaistointo
- Luokan II lasertähtäys
- Automaattinen mittausravon pito
- Maksimilämpötilänäyttö
- Tarkat kosketuksettomat mittaukset
- Automaattinen asteikon valinta ja näytön tarkkuus 0,1°F (0,1°C)
- Taustavalaistu LCD-näyttö
- Liipaisimen lukitus
- Ylä- ja alarajahälytysten asetus
- Säädettävä emissiivisyys


Kuva 1 – micro IR-200 Kosketukseton infrapunalämpömittari

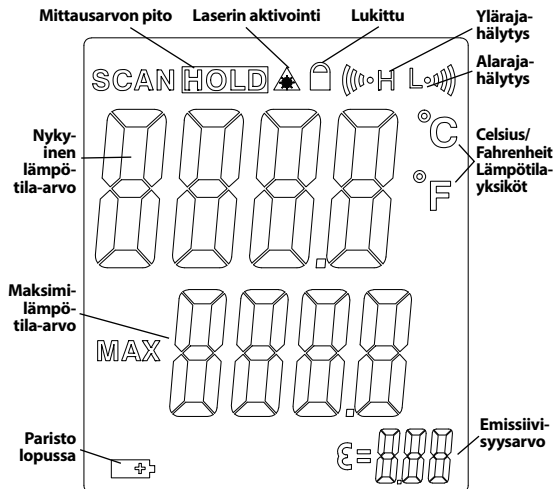
Osat



Kuva 2 – micro IR-200:n osat



LCD-näytön kuvakkeet



Kuva 3 – micro IR-200: N näyttökuvakkeet

Vakiovarusteet

- micro IR-200
- Kantolaukku
- Paristo 1 x 9V
- Käyttäjän käsikirja

HUOMAUTUS Tätä laitetta käytetään lämpötilojen mittaamiseen. Laitteen väärä tai epäasianmukainen käyttö voi johtaa vääriin tai epätarkkoihin mittaustuloksiin. Käyttäjä vastaa oikeiden ja olosuhteiden mukaisten mittausten menetelmien valinnasta.

Laserluokitus



RIDGID micro IR-200 tuottaa näkyvän lasersäteen, joka lähtee laitteen etuosasta.

Laitte on luokan 2 laserlaitte seuraavan standardin mukaisesti: IEC 60825-1:2007

FCC-lausunto

Tämä laite on testattu ja todettu B-luokan digitaalisille laitteille asetettujen rajoitusten mukaiseksi FCC:n sääntöjen osan 15 vaatimusten mukaisesti. Näillä rajoituksilla pyritään takaamaan kohtuullinen suoja haitallisilta häiriöiltä asuinympäristöön tehdyissä asennuksissa.

Tämä laite tuottaa, käyttää ja voi säteillä radiotaajuista energiaa, ja jos sitä ei asenneta ja käytetä ohjeiden mukaisesti, se voi aiheuttaa haitallisia häiriöitä radioviestinnälle.

On kuitenkin mahdotonta taata, ettei häiriöitä esiintyisi tietyssä kokoonpanossa.

Jos tämä laite aiheuttaa haitallisia häiriöitä radio- tai televisiolähetysten vastaanotolle, mikä voidaan todeta kytkemällä laite pois päältä ja takaisin päälle, käyttäjää kehoitetaan yrittämään häiriön korjaamista yhdellä tai useammalla seuraavista keinoista:

- Suuntaa vastaanottoantenni uudelleen tai siirrä sitä.
- Siirrä laite ja vastaanotin kauemmas toisistaan.
- Pyydä apua jälleenmyyjältä tai kokeneelta radio-/TV-asentajalta.

Sähkömagneettinen yhteensopivuus (EMC)


Sähkömagneettinen yhteensopivuus tarkoittaa tuotteen kykyä toimia tasaisesti ympäristössä, jossa esiintyy sähkömagneettista säteilyä ja sähköstaattisia purkauksia, sekä aiheuttamatta sähkömagneettista häiriötä muille laitteille.

HUOMAUTUS RIDGID micro IR-200 on kaikkien sovellettavien EMC-standardien mukainen. Mahdollisuutta sen aiheuttamasta häiriöstä muille laitteille ei kuitenkaan voida sulkea pois.



Kuva 4 – Paristokotelon irrotus

Paristojen vaihto/Asennus

micro IR-200 -laitte toimitetaan ilman asennettua paristoa. Jos paristoilmais (Kuva 3) näytetään , paristo on vaihdettava. Poista paristo ennen laitteen pitkäaikaista varastointia pariston vuotamisen estämiseksi.

1. Purista paristokiinnikkeitä ja irrota paristokotelo lämpömittarista (Kuva 4). Irrota paristo tarvittaessa.
2. Asenna 9V-alkaliparisto (6LR61) oikeinpäin paristokotelossa olevien napaisuusmerkintöjen mukaisesti.



Kuva 5 – Paristonpidin ja napaisuusmerkintä

3. Purista kiinnikkeitä ja työnnä tiukasti paikalleen lämpömittariin. Pidin saattaa mennä vain puoliväliin. Älä paina väkisin. Varmista, että se on kunnolla kiinni.

Käyttöä edeltävä tarkastus

VAROITUS

Tarkasta infrapunalämpömittari ennen jokaista käyttökertaa ja korjaa mahdolliset ongelmat henkilövahinkojen ja mittausvirheiden välttämiseksi.

Älä katso suoraan lasersäteeseen. Lasersäteeseen katsominen voi olla vaarallista silmille.

1. Puhdista laite öljystä, rasvasta ja liasta. Tämä helpottaa tarkastusta.
2. Tarkasta, ettei micro IR-200:ssa ole rikkoutuneita, kuluneita, puuttuvia, väärin kohdistettuja tai juuttuneita osia tai muita vikoja, jotka estävät sen normaalin, turvallisen käytön.
3. Tarkasta, että varoitustarrat ovat paikallaan, lujasti kiinni ja luettavassa kunnossa (Kuva 6).
4. Jos tarkastuksessa havaitaan ongelmia, älä käytä infrapunalämpömittaria, ennen kuin se on asianmukaisesti huollettu.
5. Kytke infrapunalämpömittari päälle ja suorita mittaus käyttöohjeiden mukaan. Vahvasta mittaustulos toisella mittalaitteella (esim. kosketuslämpömittarilla). Jos mittaustulokset eivät vastaa toisiaan riittävän tarkasti, älä käytä infrapunalämpömittaria, ennen kuin se on huollettu asianmukaisesti.



Kuva 6 – Varoitustarrat



Valmistelut ja käyttö

VAROITUS



Älä katso suoraan lasersäteeseen. Lasersäteeseen katsominen voi olla vaarallista silmille. Älä katso lasersäteeseen optisilla apuvälineillä (kuten kiihkarilla tai teleskoopilla).

Älä suuntaa lasersädettä ihmisiä kohti. Varmista, että lasersäde suunnataan silmien tason ylä- tai alapuolelle. Lasersäteet voivat olla vaarallisia silmille.

Ryhdy tarvittaviin varotoimenpiteisiin sähköisten, liikkuvien tai kuumien osien läheisyydessä työskennellessä. Lähikosketus voi aiheuttaa sähköiskun, kiinni tarttumisen, palovammoja tai muita vakavia vammoja. Suojavarusteiden käyttö voi olla tarpeen.

Ota infrapunalämpömittari käyttöön ja käytä sitä näiden ohjeiden mukaisesti loukkaantumiskeinon ja mittausvirheiden välttämiseksi.

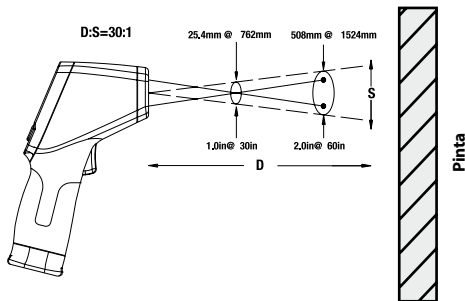
Valmistelut

1. Tarkasta työskentelyalueen asianmukaisuus *Yleinen turvallisuus -osan* ohjeiden mukaan.
2. Tarkista mittauskohde ja varmista, että käytössä on tarkoitusta vastaava laitteisto. Katso toiminta-aluetta ja tarkkuutta koskevat sekä muut tiedot *Tekniset tiedot -osasta*.

Useat tekijät voivat vaikuttaa micro IR-200:n tarkkuuteen. Näitä ovat:

Mittauskenttä – micro IR-200 käyttää kahta lasersädettä pisteiden projisoimiseksi mitattavan alueen kummallekin puolelle. Nämä pisteet ilmaisevat suunnilleen alueen ("mittauspisteet") halkaisijan,

josta lämpötila mitataan. Kun micro IR-200 siirretään kauemmaksi (D) pinnasta, kyseinen alue ja mittapisteen koko (S) suurenevät. Alue on noin 1/30 kertaa etäisyys pintaan. (Katso Kuva 7.)



Kuva 7 – Mittauskenttä

Mittauspisteet on aina oltava pinta pienempi. Mitä pienempi pinta, sitä lähempänä pinta micro IR-200:n on oltava. Paras mittaustaruus saavutetaan, kun pinta on kaksi kertaa mittauspistettä suurempi.

Emissiivisyys – Emissiivisyys on termi, jolla kuvataan materiaalien lähettämän energiansäteilyn määrää ja jonka arvo vaihtelee välillä 0 – 1. micro IR-200 mahdollistaa emissiivisyysarvon säätämisen välillä 0,10 – 1,00 lämpötilojen laskentaa varten. Jos pinnan emissiivisyysominaisuutta ei tiedetä, emissiivisyysarvo 0,95 voi olla sopiva monissa kohteissa, esim. maalatuilla pinnoilla. Yleisimpien materiaalien emissiivisyysarvot on ilmoitettu *Kuvassa 8*.

Materiaali	Emissiivisyys	Materiaali	Emissiivisyys
Alumiini, kiillotettu	0,05	Maali	0,95
Asfaltti	0,88	Paperi, valkoinen	0,90
Tiili	0,90	Rappaus, karkea	0,89
Betoni, karkea	0,91	Kumi	0,93
Kupari, kiillotettu	0,04	Teräs, galvanoitu	0,28
Lasi	0,95	Teräs, hapetettu	0,88
Kalkkikivi	0,92	Vesi	0,96
Marmori, kiillotettu	0,90		

Kuva 8 – Yleisimpien materiaalien emissiivisyysarvot

Lämpötila – Kun micro IR-200 kompensoi ympäristön lämpötilan aiheuttamia vaihteluja, voivat ympäristön ja mitatun lämpötilan suuret vaihtelut heikentää mittauksen tarkkuutta. Jos ympäristön lämpötilavaihtelut ovat huomattavia (yli 17 °C /30 °F), anna micro IR-200:n tasaantua 15 minuutin ajan parhaan tarkkuuden saavuttamiseksi.

Esteet – Höyry, pöly, savu ja muut esteet, kuten lasi ja muovi micro IR-200:n ja mitattavan pinnan välillä voivat heikentää tarkkuutta. Ne haittaavat laitteen optiikkaa tai antavat virheellisiä lukemia (pinnan sijasta mitataan lasin lämpötila). Älä käytä laitetta, jos mittaukselle on esteitä.

3. Varmista, että kaikki laitteet on tarkastettu asianmukaisesti.

Käyttö

Laitteen kytkeminen päälle ja pois (Mittausten tekeminen)

1. Pidä kiinni micro IR-200:n kahvasta ja suuntaa se mitattavaan pintaan. Pidä laite kaukana sähköisistä, liikkuvista tai kuumista osista. Varmista ennen virran kytkemistä, että laite on suunnattu turvallisesti sivullisista pois päin.

2. Kytke micro IR-200 päälle painamalla liipaisinta. Kun liipaisinta painetaan, skannauskuvake SCAN syttyy näytölle ja micro IR-200 päivittää näytettävää lämpötila-arvoa koko ajan. Lisäksi se näyttää maksimilämpötila-arvon laitteen edellisen päällekytkennän jälkeen.

micro IR-200:aa voidaan liikuttaa hitaasti pinnan poikki kuumien tai viileiden alueiden paikantamiseksi. *Katso ylä- ja alarajahälytyksiä* käsittelevät kohdat, joissa on annettu lisätietoja ylä- ja alarajahälytysten asetuksista.

3. Kun liipaisin vapautetaan, näytölle syttyy HOLD-pitokuvake. micro IR-200 katkaisee virran automaattisesti 7 sekunnin kuluttua, ellei laite ole jatkuvan mittauksen tilassa.

micro IR-200 Säätimet



Kuva 9 – micro IR-200: N näyttö/painikkeet

Jatkuvan mittauksen (Skannauksen) tila

micro IR-200 voidaan lukita päälle niin, että mittauksia tehdään liipaisinta painamatta. Varmista ennen virran kytkemistä, että laite on suunnattu turvallisesti sivullisista pois päin. Kytke micro IR-200 päälle painamalla ja pitämällä liipaisinta alhaalla. Pidä liipaisinta alhaalla, ja paina ja vapauta valikkopainike. SCAN- ja lukko-kuvakkeet näkyvät näytöllä. Vapauta liipaisin, jolloin micro IR-200 päivittää mitattua lämpötilaa jatkuvasti, kunnes liipaisinta käytetään uudelleen pohjassa.

Laserin kytkeminen päälle/pois

Tarvittaessa tähtäykseen käytettävät laserit voidaan kytkeä pois päältä pariston säästämiseksi. Jos näin tehdään, micro IR-200:n suuntaamisessa on oltava erityisen huolellinen hyvien lukemien varmistamiseksi. Kytke laserit päälle tai pois pitämällä liipaisinta painettuna ja käyttämällä samalla laserin aktivointipainiketta alhaalla. Laserin aktivointikuvake näytetään näytöllä, kun laser on kytketty päälle.

Taustavalvo

Heikosti valaistuja alueita varten micro IR-200 on varustettu näytön taustavalolla. Kytke taustavalvo päälle ja pois painamalla taustavalopainiketta laitteen ollessa päällekytkettynä.

Valikkopainikkeen käyttö

Valikkopainikkeen painaminen ja vapauttaminen liipaisimen painamisen jälkeen mahdollistaa seuraavien asetusten selaamisen tässä järjestyksessä: Ylärajahälytys päälle/pois, ylärajahälytyksen lämpötila-asetus, alarajahälytys päälle/pois, alarajahälytyksen lämpötila-asetus, alarajahälytyksen lämpötila-asetus, emissiivisyys.

Yläraja-hälytys

Ylärajahälytys antaa äänimerkin, kun nykyinen lämpötila ylittää asetetun rajan. Kytke ylärajahälytys päälle käyttämällä liipaisinta pohjassa, ja painele sen jälkeen valikkopainiketta, kunnes ylärajahälytyksen kuvake alkaa vilkkua. Kytke ylärajahälytys päälle/pois ylös/alaspainikkeilla nykyisen lämpötilan viivalla näytetyn mukaisesti. Paina valikkopainiketta uudelleen ja vapauta se. Ylärajahälytyksen kuvake jatkaa vilkkumistaan, ja näytölle saadaan ylärajahälytyksen lämpötila. Muuta ylärajahälytyksen lämpötila-asetus halutuksi käyttämällä ylös/alaspainikkeita. Poistu asetustilasta ja tallenna valintasi painamalla liipaisinta.

Alaraja-hälytys

Alarajahälytys antaa äänimerkin, kun nykyinen lämpötila laskee asetetun rajan alapuolelle. Kytke alarajahälytys päälle käyttämällä liipaisinta pohjassa, ja painele sen jälkeen valikkopainiketta, kunnes alarajahälytyksen kuvake alkaa vilkkua. Kytke alarajahälytys päälle/pois ylös/alaspainikkeilla nykyisen lämpötilan viivalla näytetyn mukaisesti. Paina valikkopainiketta uudelleen ja vapauta se. Alarajahälytyksen kuvake jatkaa vilkkumistaan, ja näytölle saadaan alarajahälytyksen lämpötila. Muuta alarajahälytyksen lämpötila-asetus halutuksi käyttämällä ylös/alaspainikkeita. Poistu asetustilasta ja tallenna valintasi painamalla liipaisinta.

Lämpötilan näyttöyksiköt - °C/°F

micro IR-200 pystyy näyttämään lämpötilat joko Celsius- (C) tai Fahrenheit-asteina (F). Muuta näyttöyksikköä käyttämällä liipaisinta pohjassa, ja painele sen jälkeen valikkopainiketta, kunnes näytöllä oleva lämpötilayksikkö alkaa vilkkua. Vaihda C:n ja F:n välillä painamalla ylös/alaspainikkeita. Poistu asetustilasta ja tallenna valintasi painamalla liipaisinta.

Emissiivisyys

Emissiivisyysarvoksi voidaan asettaa 0,10 1,00. Määritä käyttökohteesi sopiva arvo kohdan Asetus mukaisesti. Säädä tätä arvoa käyttämällä liipaisinta pohjassa, ja painele sen jälkeen valikkopainiketta, kunnes näytöllä oleva emissiivisyysarvo alkaa vilkkua. Suurena tai pienennä emissiivisyysarvoa ylös/alas-painikkeilla. Poistu asetustilasta ja tallenna valintasi painamalla liipaisinta.

Puhdistus

Älä upota kosketuksetonta RIDGID micro IR-200 -infrapunalämpömittaria veteen. Pyyhi lika pois kostealla pehmeällä liinalla. Älä käytä voimakkaita puhdistusaineita tai -liuoksia. Käsittele laitetta samaan tapaan kuin teleskooppia tai kameraa.

Säilytys

Kosketukseton RIDGID micro IR-200 -infrapunalämpömittari on säilytettävä kuivassa, turvallisessa paikassa, jonka lämpötila on 14 °F...140 °F (-10 °C...60 °C).

Säilytä työkalua lukitussa tilassa poissa lasten ja micro IR-200:n käyttöön perehtymättömien henkilöiden ulottuvilta.

Poista paristo ennen laitteen pitkäaikaista varastointia tai kuljetusta pariston vuotamisen estämiseksi.

Huolto ja korjaus

▲ VAROITUS

Epäasianmukaisen huollon tai korjauksen jälkeen kosketukseton RIDGID micro IR-200 -infrapunalämpömittarin käyttö saattaa olla vaarallista.

micro IR-200:n huolto ja korjaus on annettava valtuutetun RIDGID-huoltokeskuksen tehtäväksi.

Lisätietoja lähimmistä valtuutetuista RIDGID-huoltoilikeistä, huolosta ja huoltoon liittyvistä kysymyksistä:

- Ota yhteys paikalliseen RIDGID-jälleenmyyjään.
- Käy osoitteessa RIDGID.com, josta löydät lähimmän Ridge Tool-edustajan.
- Ota yhteys Ridge Toolin tekniseen huolto-osastoon osoitteessa rtctechservices@emerson.com tai soittamalla Yhdysvalloissa ja Kanadassa numeroon (800) 519-3456.

Hävittäminen

Kosketuksettoman RIDGID micro IR-200 -infrapunalämpömittarin osat sisältävät arvokkaita materiaaleja, ja ne voidaan kierrättää. Tällaisesta kierrätyksestä huolehtivat paikalliset erikoisyritykset. Komponentit on hävitettävä kaikkien soveltuvien säännösten mukaan. Pyydä lisätietoja paikallisilta jätehuoltoviranomaisilta.



EY-maat: Älä hävitä sähkölaitteita kotitalousjätteen mukana!

EU:n sähkö- ja elektroniikkalaiteromudirektiivin 2012/19/EU ja sen kansallisen lainsäädännön täytäntöönpanon mukaan käytöstä poistetut sähkölaitteet on koottava erikseen ja hävitettävä tavalla, joka ei vahingoita ympäristöä.

Pariston hävittäminen

EY-maat: Vialliset ja käytetyt paristot on kierrätettävä direktiivin 2012/19/EU mukaisesti.

micro IR-200

micro IR-200

Bezdotykowy termometr na podczerwień



⚠ OSTRZEŻENIE

Przed przystąpieniem do użytkowania narzędzia prosimy dokładnie przeczytać ten podręcznik obsługi. Niedopełnienie obowiązku przyswojenia i stosowania się do treści niniejszego podręcznika obsługi może spowodować porażenie prądem, pożar i/lub poważne obrażenia.

Bezdotykowy termometr na podczerwień micro IR-200

Zapisz poniżej numer seryjny i numer seryjny produktu umieszczony na etykiecie z nazwą.

Nr seryjny.

Spis treści

Formularz zapisu numeru seryjnego urządzenia	153
Symbole ostrzegawcze	155
Ogólne zasady bezpieczeństwa	156
Bezpieczeństwo w miejscu pracy	156
Bezpieczeństwo związane z elektrycznością	156
Bezpieczeństwo osobiste	156
Użytkowanie i konserwacja urządzenia	156
Serwis	157
Informacje dotyczące bezpieczeństwa	157
Bezpieczeństwo termometru na podczerwień	157
Opis, dane techniczne i wyposażenie standardowe	157
Opis	157
Dane techniczne	158
Części	159
Ikony wyświetlacza LCD	159
Wyposażenie standardowe	159
Klasyfikacja lasera	160
Deklaracja zgodności FCC	160
Zgodność elektromagnetyczna (EMC)	160
Wymiana/Wkładanie baterii	160
Przegląd przed rozpoczęciem pracy	161
Ustawienia i obsługa	162
Ustawienia	162
Obsługa	163
Włączanie i wyłączanie (Dokonywanie pomiarów)	163
Elementy sterujące micro IR-200	163
Tryb pomiaru ciągłego (Skanowania)	164
Laser aktywowany/Dezaktywowany	164
Podświetlenie	164

Używanie przycisku Menu	164
Alarm wartości wysokiej	164
Alarm wartości niskiej	164
Wyświetlane jednostki temperatury °C/°F	164
Emisyjność	164

Czyszczenie	165
Przechowywanie	165
Serwis i naprawa	165
Utylizacja	165
Utylizacja baterii	165
Deklaracja zgodności	Wewnętrzna tylna okładka
Dożywnia gwarancja	Tylna okładka

* Tłumaczenie instrukcji oryginalnej

Symbole ostrzegawcze

W tym podręczniku obsługi oraz na produkcie użyto symboli i słów ostrzegawczych, które służą do podkreślania ważnych informacji dotyczących bezpieczeństwa. W tej części objaśniono znaczenie słów i symboli ostrzegawczych.



To jest symbol alertu bezpieczeństwa. Służy do ostrzegania przed potencjalnym ryzykiem obrażeń ciała. Przestrzeganie wszystkich zasad bezpieczeństwa, które występują po tym symbolu, chroni przed potencjalnymi obrażeniami lub śmiercią.

▲ NIEBEZPIECZEŃSTWO

NIEBEZPIECZEŃSTWO oznacza ryzyko wystąpienia sytuacji, która grozi śmiercią lub poważnymi obrażeniami, jeśli jej się nie zapobiegnie.

▲ OSTRZEŻENIE

OSTRZEŻENIE oznacza ryzyko wystąpienia sytuacji, która może spowodować śmierć lub poważne obrażenia, jeśli jej się nie zapobiegnie.

▲ UWAGA

UWAGA oznacza ryzyko wystąpienia sytuacji, która może spowodować małe lub średnie obrażenia, jeśli jej się nie zapobiegnie.

NOTATKA

NOTATKA oznacza informację dotyczącą ochrony własności.



Ten symbol oznacza, że należy dokładnie przeczytać podręcznik użytkownika, zanim zaczniesz się korzystać z urządzenia. Podręcznik zawiera ważne informacje dotyczące bezpieczeństwa i prawidłowej obsługi sprzętu.



Symbol oznacza, że urządzenie zawiera laser klasy 2.



Symbol oznacza, że patrzenie w promień lasera jest zabronione.



Symbol stanowi ostrzeżenie o promieniu lasera i zagrożeniu promieniem lasera.

Ogólne zasady bezpieczeństwa

⚠ OSTRZEŻENIE

Należy przeczytać wszystkie ostrzeżenia dotyczące bezpieczeństwa i instrukcje. Niestosowanie się do poniższych ostrzeżeń i instrukcji może spowodować porażenie prądem elektrycznym, pożar i/lub poważne obrażenia.

ZACHOWAJ TE INSTRUKCJE!

Deklaracja zgodności WE (890-011-320.10) jest dołączana w razie potrzeby do niniejszej instrukcji w formie oddzielnej broszury.

Bezpieczeństwo w miejscu pracy

- Należy utrzymywać miejsce pracy czyste i dobrze oświetlone. Nieuporządkowane i ciemne miejsce pracy zwiększa ryzyko wypadku.
- Nie używać urządzeń w środowisku wybuchowym, np. w pobliżu łatwopalnych cieczy, gazów lub pyłów. Urządzenia wytwarzają iskry, które mogą spowodować zapłon pyłu lub oparów.
- Trzymać dzieci i inne osoby postronne z dala podczas obsługi urządzenia. Odwrócenie uwagi może doprowadzić do utraty kontroli.

Bezpieczeństwo związane z elektrycznością

- Należy unikać kontaktu ciała z powierzchniami uziemionymi takimi jak rury, grzejniki, piekarniki i lodówki. Ryzyko porażenia prądem wzrasta, gdy ciało ma styczność z uziemieniem.
- Nie wystawiać narzędzi elektrycznych na działanie deszczu lub wilgoci. Woda, która przedostanie się do urządzenia, zwiększa ryzyko porażenia prądem elektrycznym.

Bezpieczeństwo osobiste

- Podczas pracy z urządzeniem należy kierować się zdrowym rozsądkiem i zachować ostrożność. Nie należy używać urządzenia w stanie zmęczenia lub pod wpływem narkotyków, alkoholu lub leków. Chwila nieuwagi podczas pracy z urządzeniem może doprowadzić do poważnych obrażeń.

- Należy stosować środki ochrony osobistej. Zawsze należy stosować ochronę oczu. Odpowiednie środki ochrony osobistej, takie jak maska przeciwpyłowa, nieslizgające się obuwie ochronne, kask lub zabezpieczenie słuchu stosowane w odpowiednich warunkach zmniejszają ryzyko obrażeń.
- Nie należy sięgać za daleko. Przez cały czas utrzymywać odpowiednie oparcie dla stóp i równowagę. Zapewni to lepszą kontrolę nad narzędziem elektrycznym w niespodziewanych sytuacjach.

Użytkowanie i konserwacja urządzenia

- Nie przeciążać urządzenia. Użyć urządzenia właściwego dla danego zastosowania. Właściwe urządzenie wykona sprawniej i bezpieczniej pracę, do której jest przeznaczone.
- Nie używać narzędzia, jeśli przełącznik nie włącza go i nie wyłącza. Każde narzędzie nie dające się kontrolować za pomocą przełącznika jest niebezpieczne i musi zostać naprawione.
- Przed dokonaniem jakichkolwiek regulacji, wymiany akcesoriów lub przechowywaniem należy wyciągnąć baterie z urządzenia. Takie zapobiegawcze środki ostrożności zmniejszają ryzyko odniesienia obrażeń.
- Wyłączone urządzenia należy przechowywać z dala od dzieci i nie pozwalać na użytkowanie narzędzi przez osoby nie zaznajomione z nimi lub niniejszą instrukcją. Urządzenie jest niebezpieczne w rękach nieprzeszkolonych użytkowników.
- Konserwować urządzenie. Sprawdzić części ruchome pod kątem dopasowania lub ocierania, braków, uszkodzeń i wszystkich innych czynników, które mogą wpłynąć na pracę urządzenia. W przypadku wykrycia uszkodzenia należy naprawić urządzenie przed jego użyciem. Wiele wypadków spowodowane jest przez niewłaściwie konserwowane urządzenia.
- Należy używać urządzenia i akcesoriów zgodnie z tymi instrukcjami, biorąc pod uwagę warunki pracy i czynności do wykonania. Stosowanie urządzenia do czynności innych niż te, do których jest przeznaczone, może doprowadzić do wystąpienia niebezpiecznej sytuacji.

- **Stosować wyłącznie akcesoria zalecane dla urządzenia przez producenta.** Akcesoria, które mogą być odpowiednie do jednego urządzenia, mogą stanowić zagrożenie podczas używania z innymi urządzeniami.
- **Uchwyty utrzymywać w stanie suchym, czystym bez olejów i smarów.** Umożliwi to lepszą kontrolę urządzenia.

Serwis

- **Urządzenie może być serwisowane tylko przez wykwalifikowaną osobę przy użyciu identycznych części zapasowych.** Zapewni to bezpieczeństwo użytkownika narzędzia.

Informacje dotyczące bezpieczeństwa

⚠ OSTRZEŻENIE

Ten rozdział zawiera ważne informacje dotyczące bezpieczeństwa użytkownika tego narzędzia.

Przed użytkowaniem bezdotykowego termometru na podczerwień RIDGID® micro IR-200 należy uważnie przeczytać poniższe ostrzeżenia, aby uniknąć ryzyka pożaru, wybuchu lub innych poważnych obrażeń ciała.

ZACHOWAJ TE INSTRUKCJE!

Niniejszy podręcznik należy przechowywać wraz z urządzeniem dostępny dla operatora.

Bezpieczeństwo termometru na podczerwień

- **Nie wolno patrzeć w promień lasera.** Patrzenie w promień lasera jest niebezpieczne dla wzroku. Nie wolno patrzeć na promień lasera przez pomoce optyczne (np. lornetkę lub teleskop).
- **Nie wolno kierować promienia lasera na inne osoby.** Należy dopilnować, aby laser był skierowany powyżej lub poniżej poziomu oczu. Promienie lasera są niebezpieczne dla oczu.
- **Nie używać tego urządzenia do inspekcji osobistej lub do jakichkolwiek celów medycznych.** Nie jest to urządzenie medyczne. Mogłoby to spowodować obrażenia ciała.

- **Należy przedsięwziąć odpowiednie środki ostrożności przy pracy w pobliżu części elektrycznych, ruchomych lub gorących.** Bliski kontakt może spowodować porażenie elektryczne, zapłatanie, oparzenia lub inne poważne obrażenia. Wymagany będzie sprzęt ochrony osobistej.

⚠ UWAGA Używanie elementów sterujących bądź wykonywanie regulacji lub procedur innych niż określone w niniejszym dokumencie może prowadzić do narażenia na niebezpieczne promieniowanie.

W razie jakichkolwiek pytań dotyczących tego produktu RIDGID® należy: Skontaktować się z lokalnym dystrybutorem firmy RIDGID.

- Proszę odwiedzić stronę RIDGID.com w celu znalezienia lokalnego punktu kontaktowego RIDGID.
- Skontaktować się z Działem Pomocy Technicznej firmy Ridge Tool pod adresem rttechservices@emerson.com lub w USA i Kanadzie zadzwonić na numer (800) 519-3456.

Opis, dane techniczne i wyposażenie standardowe

Opis

Bezdotykowy termometr na podczerwień IR-200 RIDGID® zapewnia łatwe, szybkie i dokładne odczyty temperatury powierzchni za jednym naciśnięciem przycisku. Wystarczy tylko nacisnąć przycisk spustowy i skierować lasery podwójnej klasy II „ultra-sharp” na powierzchnię do pomiaru. Termometr micro IR-200 pozwala na natychmiastowy pomiar temperatury na wyraźnym i czytelnym wyświetlaczu LCD z podświetleniem. Oprócz wielu innych zastosowań ten wytrzymały, poręczny instrument umożliwia dostawcy diagnozowanie problemów z ogrzewaniem i wentylacją, przeprowadzanie zapobiegawczego monitorowania silników i układów elektrycznych, rozwiązywanie problemów z garnkami kondensacyjnymi i szybką kontrolę bezpieczników lub przerywaczy pod kątem przegrzewania bez konieczności kontaktu.

W urządzeniu micro IR-200 wykorzystano optykę do wykrywania energii emitowanej, odbitej i nadawanej, która jest zbierana i skupiana na detektorze. Układ elektroniczny urządzenia przekształca te informacje na odczyt temperatury pojawiający się na wyświetlaczu. Lasery służą jako pomoc celownicza.

Dane techniczne

Zakres temperatury.....	-58°F do 2192°F (-50°C do 1200°C)
Stosunek odległości do plamki.....	30 do 1
Dokładność pomiaru.....	-58°F ~68°F (50°C ~20°C): ±4.5°F (2,5°C) 68°F ~1472°F (20°C ~800°C) ±1,0% lub ±1.8°F (1,0°C)
Powtarzalność.....	-58°F ~68°F (50°C ~20°C): ±2.3°F (1,3°C) 68°F ~1472°F (20°C ~800°C) ±0,5% lub ±0.9°F (0,5°C)
Czas odpowiedzi.....	150 ms
Wrażliwość widmowa.....	8~14 um
Emisyjność.....	Regulowana, 0,10 - 1,00
Wskazanie poza zakresem.....	Na LCD pojawia się "----"
Laser diodowy.....	Moc wyjściowa <1 mW, długość fali 630~670 nm, produkt laserowy klasy 2
Wyświetlanie temperatury.....	Temperatura bieżąca, Temperatura MAKS.
Jednostki pomiarowe.....	Stopnie Fahrenheita, Celsjusa
Zakres temperatur pracy.....	32°F do 122°F (0°C do 50°C)
Temperatura przechowywania.....	14°F do 140°F (-10°C do 60°C)
Rozdzielczość wyświetlania.....	0.1°F (0,1°C)
Wilgotność względna.....	10%~90% RH - praca, <80% RH - przechowywanie
Baterie.....	Bateria 9 V (1), NEDA 1604A lub IEC 6LR61 bądź odpowiednik
Stopień ochrony.....	IP54
Masa.....	0.6 funta (0,3 kg)

Funkcje

- Funkcja szybkiej detekcji
- Układ celowniczy lasera podwójnej klasy II
- Automagiczne zatrzymanie danych
- Wyświetlanie temperatury maks.
- Dokładne pomiary bezdotkowe
- Automagiczny zakres wyboru i rozdzielczość wyświetlania 0.1°F (0,1°C)
- Podświetlany wyświetlacz LCD
- Blokada spustu
- Ustawianie alarmów wartości wysokiej i niskiej
- Emisyjność regulowana


**Rysunek 1 – Bezdotkowy termometr na podczerwień
micro IR-200**

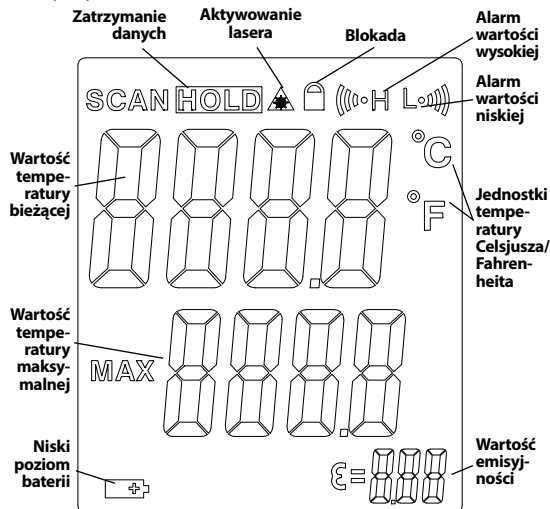
Części



Rysunek 2 – Części micro IR-200



Ikony wyświetlacza LCD



Rysunek 3 – Ikony wyświetlacza micro IR-200

Wyposażenie standardowe

- micro IR-200
- Bateria 1 x 9 V
- Kasetka do przenoszenia
- Podręcznik obsługi

NOTATKA To urządzenie służy do pomiaru temperatury. Nieprawidłowe lub niezgodne z przeznaczeniem użycie może prowadzić do nieprawidłowych lub niedokładnych pomiarów. Za wybór metody pomiarowej odpowiedzialny jest użytkownik.

Klasyfikacja lasera



Termometr micro IR-200 firmy RIDGID generuje widzialny promień lasera emitowany z przedniej jego części.

Urządzenie spełnia wymogi dla laserów klasy 2 według: IEC 60825-1:2007

Deklaracja zgodności FCC

Ten sprzęt został sprawdzony i spełnia ograniczenia dla urządzeń cyfrowych klasy B według Części 15 Przepisów FCC. Te ograniczenia służą zapewnieniu odpowiedniej ochrony przed szkodliwymi zakłóceniami ze strony instalacji budynków mieszkalnych.

Ten sprzęt generuje, wykorzystuje i promieniuje energię o częstotliwości radiowej i w razie montażu lub użytkowania niezgodnego z instrukcjami, może powodować szkodliwe zakłócenia komunikacji radiowej.

Jednak nie ma gwarancji, że zakłócenia nie wystąpią w konkretnej instalacji.

Jeśli ten sprzęt powoduje szkodliwe zakłócenia odbioru radiowo-telewizyjnego, które można stwierdzić przy włączaniu i wyłączeniu urządzenia, należy spróbować wyeliminować zakłócenia za pomocą jednego lub większej liczby poniższych środków:

- Przekierować lub przestawić antenę odbiorczą.
- Zwiększyć odległość pomiędzy sprzętem a odbiornikiem.
- Zwrócić się o pomoc do sprzedawcy lub doświadczonego technika RTV.

Zgodność elektromagnetyczna (EMC)

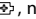
Termin „zgodność elektromagnetyczna” oznacza zdolność produktu do bezproblemowego działania w otoczeniu, w którym występują wyładowania elektromagnetyczne i elektrostatyczne bez wywoływania zakłóceń elektromagnetycznych w innych urządzeniach.

NOTATKA Urządzenie micro IR-200 firmy RIDGID spełnia wszystkie stosowne normy EMC. Nie można jednak wykluczyć możliwości wywoływania zakłóceń w innych urządzeniach.



Rysunek 4 – Wyjmowanie komory baterii

Wymiana/Wkładanie baterii

Termometr micro IR-200 jest dostarczany z włożoną baterią. Jeśli wskaźnik poziomu baterii (Rysunek 3) pokazuje , należy wymienić baterię. Przed długotrwałym przechowywaniem należy baterię wyjąć, aby uniknąć wycieku.

1. Docisnąć zatrzaski baterii i wyjąć komorę baterii z termometru (Rysunek 4). W razie potrzeby wyciągnąć baterię.
2. Włożyć baterię alkaliczną 9 V (6LR61), zachowując właściwą biegunowość wskazywaną w komorze baterii.



Rysunek 5 – Uchwyt baterii i oznaczenie biegunowości

3. Docisnąć zatrzaski i mocno wsunąć do termometru. Uchwyt wsuwa się tylko w jeden sposób. Nie robić tego na siłę. Sprawdzić zamocowanie komory.

Przegląd przed rozpoczęciem pracy

⚠ OSTRZEŻENIE

Przed każdym użyciem dokonać przeglądu termometru na podczerwień usunąć wszelkie problemy, aby zmniejszyć ryzyko obrażeń lub niedokładnych pomiarów.

Nie wolno patrzeć w promień lasera. Patrzeć w promień lasera jest niebezpieczne dla oczu.

1. Usunąć wszelki olej, smar lub zabrudzenia z urządzenia. Ułatwia to przeprowadzenie przeglądu.

2. Przeprowadzić przegląd urządzenia IR-200 pod kątem wszelkich uszkodzonych, zużytych, brakujących, niedopasowanych lub ocierających części oraz wszelkich innych warunków utrudniających bezpieczne i normalne działanie.
3. Sprawdzić, czy etykiety ostrzegawcze są obecne, mocno przytwierdzone i czytelne (Rysunek 6).
4. Jeśli podczas przeglądu zostaną wykryte jakiegokolwiek problemy, nie należy używać termometru na podczerwień do momentu przeprowadzenia odpowiednich czynności serwisowych.
5. Włączyć termometr na podczerwień według instrukcji obsługi, dokonać pomiaru i potwierdzić pomiar za pomocą innego narzędzia (np. termometru dotykowego itp.). Jeśli korelacja pomiarów nie jest dopuszczalna, nie używać termometru do przeprowadzenia odpowiednich czynności serwisowych.



Rysunek 6 – Etykiety ostrzegawcze



Ustawienia i obsługa

⚠ OSTRZEŻENIE



Nie wolno patrzeć w promień lasera. Patrzeć w promień lasera jest niebezpieczne dla oczu. Nie wolno patrzeć na promień lasera przez pomoce optyczne (np. lornetkę lub teleskop).

Nie wolno kierować promienia lasera na inne osoby. Należy dopilnować, aby laser był skierowany powyżej lub poniżej poziomu oczu. Promienie lasera są niebezpieczne dla oczu.

Należy przedsięwziąć odpowiednie środki ostrożności przy pracy w pobliżu części elektrycznych, ruchomych lub gorących. Bliski kontakt może spowodować porażenie elektryczne, zapłatanie, oparzenia lub inne poważne obrażenia. Wymagany będzie sprzęt ochrony osobistej.

Ustawić i obsługiwać termometr na podczerwień według niniejszych procedur, aby zmniejszyć ryzyko obrażeń lub nieprawidłowych pomiarów.

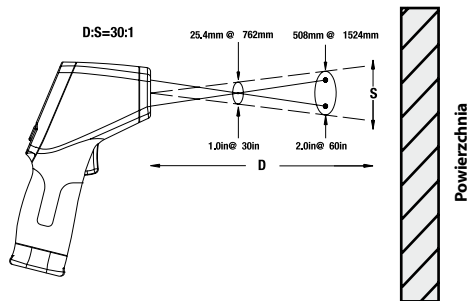
Ustawienia

1. Sprawdzić właściwe warunki w obszarze roboczym według zaleceń w części *Ogólne zasady bezpieczeństwa*.
2. Sprawdzić mierzony obiekt i upewnić się, że posiadany sprzęt jest odpowiedni do tego zastosowania. Zasięg, dokładność i inne informacje podano w części *Parametry techniczne*.

Na dokładność termometru micro IR-200 może wpływać wiele czynników, m.in.:

Pole widzenia – Urządzenie micro IR-200 wykorzystuje dwa lasery do rzutowania punktów po dwóch stronach obszaru do pomiaru. Punkty te wskazują przybliżoną średnicę obszaru („plamki”), w którym następuje pomiar temperatury. W miarę zwiększania od-

ległości (D) termometru micro IR-200 od powierzchni zwiększa się rozmiar obszaru plamki (S). Obszar znajduje się w odległości około $\frac{1}{30}$ odległości do powierzchni. (Patrz Rysunek 7.)



Rysunek 7 – Pole widzenia

plamka powinna być zawsze mniejsza od powierzchni. Im mniejsza jest powierzchnia, tym bliżej tej powierzchni musi się znajdować termometr IR-200. W celu uzyskania największej dokładności powierzchnia powinna być dwa razy większa niż plamka.

Emisyjność – termin „emisyjność” służy do określania charakterystyki emisji energii przez dany materiał, jej zakres wynosi od 0 do 1. Termometr micro IR-200 umożliwia ustawienie wartości emisyjności od 0,10 do 1,00 do obliczania temperatur. Jeśli własności emisyjne powierzchni nie są znane, przybliżoną wartość 0,95 przyjmuje się jako odpowiednią dla większości zastosowań, np. dla powierzchni pokrytych farbą. Wartości emisyjności dla powszechnie stosowanych materiałów podano na *Rysunku 8*.

Material	Emisyjność	Material	Emisyjność
Aluminium, polerowane	0,05	Farba	0,95
Asfalt	0,88	Papier, biały	0,90
Cegła	0,90	Gips, nieobrobiony	0,89
Beton, nieobrobiony	0,91	Guma	0,93
Miedź, polerowana	0,04	Stal, cynkowana	0,28
Szkló	0,95	Stal, utleniona	0,88
Wapierń	0,92	Woda	0,96
Marmur, polerowany	0,90		

Rysunek 8 – Wartości emisyjności powszechnie stosowanych materiałów

Temperatura – Mimo, że termometr micro IR-200 posiada kompensację zmienności temperatury otoczenia, duże zmiany w otoczeniu i zmierzonych temperaturach mogą obniżyć dokładność. W razie stwierdzenia znacznych zmian temperatury otoczenia (powyżej 30°F lub 17°C) należy pozostawić urządzenie micro IR-200 na piętnaście minut w celu uzyskania najlepszej dokładności.

Przeszkody – Para, pył, dym i inne przeszkody jak szkło lub plastik między urządzeniem micro IR-200 i powierzchnią mierzoną mogą obniżyć dokładność pomiaru. Blokują one optykę urządzenia lub dają nieprawdziwe odczyty (pomiar temperatury szkła zamiast powierzchni). Nie używać urządzenia w razie występowania przeszkód.

- Upewnić się, że przegląd urządzenia został prawidłowo przeprowadzony.

Obsługa

Włączanie i wyłączanie (Dokonywanie pomiarów)

- Trzymać urządzenie IR-200 za uchwyt i wycelować na powierzchnię do zmiernienia. Nie zbliżać się do wszelkich części elektrycznych, ruchomych czy gorących. Przed włączeniem upewnić się, że termometr jest skierowany w bezpiecznym kierunku z dala od innych osób.

- Nacisnąć spust w celu włączenia termometru IR-200. Po naciśnięciu spustu uaktywni się ikona SCAN, a urządzenie IR-200 zacznie w sposób ciągły aktualizować bieżącą wartość temperatury na wyświetlaczu i wskazywać wartość maksymalną temperatury od włączenia urządzenia.

Termometr micro IR-200 można przesuwac powoli po powierzchni w celu zlokalizowania gorących lub zimnych obszarów. W częściach Alarm wysokiej wartości i Alarm niskiej wartości podano informacje dotyczące ustawień alarmów wysokiej i niskiej wartości.

- Po zwolnieniu spustu uaktywni się ikona zatrzymania HOLD. Po siedmiu sekundach urządzenie IR-200 automatycznie się wyłączy, jeśli nie jest w trybie pomiaru ciągłego.

Elementy sterujące micro IR-200



Rysunek 9 – Przyciski/Wyświetlacz micro IR-200

Tryb pomiaru ciągłego (Skanowania)

Urządzenie micro IR-200 można zablokować jako włączone, aby możliwe były pomiary bez przytrzymywania spustu. Przed włączeniem upewnij się, że termometr jest skierowany w bezpiecznym kierunku z dala od innych osób. Włączysz termometr IR-200, naciskając i przytrzymując spust. Przytrzymując spust, nacisnąć i zwolnić przycisk menu. Uaktywnią się ikony skanowania SCAN i blokady. Zwolnić spust, urządzenie IR-200 zacznie w sposób ciągły aktualizować mierzoną temperaturę, aż przełącznik spustu zostanie naciśnięty i zwolniony ponownie.

Laser aktywowany/Dezaktywowany

W razie potrzeby można wyłączyć lasery służące do celowania, aby oszczędzać baterię. Jeśli się to robi, należy uważnie celować urządzeniem micro IR-200 w celu uzyskania prawidłowych odczytów. W celu włączenia lub wyłączenia należy nacisnąć i zwolnić przycisk aktywowania laserów, jednocześnie przytrzymując spust. Dioda aktywnego lasera będzie zapalona przy aktywnym laserze.

Podświetlenie

Do użycia w obszarze o słabym oświetleniu termometr IR-200 wyposażono w podświetlenie wyświetlacza. W celu włączenia lub wyłączenia podświetlenia włączonego urządzenia należy nacisnąć przycisk podświetlenia.

Używanie przycisku Menu

Po naciśnięciu spustu naciśnięcie i zwolnienie przycisku menu umożliwia przełączanie między niższymi ustawieniami w następującej kolejności: wł./wył. alarmu wartości wysokiej, ustawienie temperatury alarmu wartości wysokiej, ustawienie temperatury alarmu wartości niskiej, jednostki wyświetlania temperatury, emisyjność.

Alarm wartości wysokiej

Alarmy wartości wysokiej wygeneruje słyszalny sygnał dźwiękowy, jeśli bieżąca temperatura przekroczy ustawiony wcześniej limit. W celu włączenia alarmu wartość wysokiej nacisnąć i zwolnić spust, a następnie naciskać i

zwalniać przycisk menu, aż zacznie migać alarm wartości wysokiej. Za pomocą przycisków góra/dół włączać/wyłączać funkcję alarmu wartości wysokiej jak wskazano na linii wartości bieżącej. Ponownie nacisnąć i zwolnić przycisk menu. Ikona alarmu wartości wysokiej będzie migała i wyświetli się temperatura alarmu wartości wysokiej. Za pomocą przycisków góra/dół zmienić żadaną temperaturę alarmu wartości wysokiej. Nacisnąć spust, aby wyjść z trybu ustawień i zapisać dokonany wybór.

Alarm wartości niskiej

Alarmy wartości niskiej wygeneruje słyszalny sygnał dźwiękowy, jeśli bieżąca temperatura spadnie poniżej ustawionego wcześniej limitu. W celu włączenia alarmu wartość niskiej nacisnąć i zwolnić spust, a następnie naciskać i zwalniać przycisk menu, aż zacznie migać alarm wartości niskiej. Za pomocą przycisków góra/dół włączać/wyłączać funkcję alarmu wartości niskiej jak wskazano na linii wartości bieżącej. Ponownie nacisnąć i zwolnić przycisk menu. Ikona alarmu wartości niskiej będzie migała i wyświetli się temperatura alarmu wartości niskiej. Za pomocą przycisków góra/dół zmienić żadaną temperaturę alarmu wartości niskiej. Nacisnąć spust, aby wyjść z trybu ustawień i zapisać dokonany wybór.

Wyświetlane jednostki temperatury °C/°F

Urządzenie micro IR-200 może wyświetlać temperatury zarówno w stopniach Celsjusza (°C) jak i Fahrenheita (°F). W celu zmiany wyświetlanej jednostki nacisnąć i zwolnić spust, a następnie nacisnąć i zwolnić przycisk menu, aż na ekranie zacznie migać jednostka temperatury. Za pomocą przycisków góra/dół przełączyć na żadaną jednostkę °C lub °F. Nacisnąć spust, aby wyjść z trybu ustawień i zapisać dokonany wybór.

Emisyjność

Wartość emisyjności można ustawiać od 0,10 do 1,00. W części Ustawienia opisano procedurę określania wartości odpowiedniej dla zastosowania. W celu ustawienia tej wartości nacisnąć i zwolnić spust, a następnie nacisnąć i zwolnić przycisk menu, aż na ekranie zacznie migać wartość emisyjności. Za pomocą przycisków w górę/w dół zwiększać lub zmniejszać wartość emisyjności. Nacisnąć spust, aby wyjść z trybu ustawień i zapisać dokonany wybór.

Czyszczenie

Nie wolno zanurzać w wodzie bezdotykowego termometru na podczerwień RIDGID micro IR-200. Brud ścierać wilgotną miękką ściereczką. Nie stosować agresywnych środków lub roztworów czyszczących. Z instrumentem obchodzić się jak z teleskopem czy aparatem fotograficznym.

Przechowywanie

Bezdotykowy termometr na podczerwień RIDGID micro IR-200 należy przechowywać w suchym i bezpiecznym miejscu w temperaturze od 14°F (-10°C) do 140°F (60°C).

Przechowywać urządzenie IR-200 w zamkniętym obszarze poza zasięgiem dzieci i osób z nim niezaznajomionych.

Przed każdym dłuższym okresem przechowywania lub wysyłką wyjąć baterię, aby uniknąć wycieku.

Serwis i naprawa

⚠ OSTRZEŻENIE

Nieprawidłowe serwisowanie lub naprawa mogą spowodować, że bezdotykowy termometr na podczerwień RIDGID micro IR-200 będzie niebezpieczny w obsłudze.

Serwis i naprawa mikro IR-200 muszą być wykonywane przez niezależne autoryzowane centrum serwisowe RIDGID.

Aby uzyskać informacje na temat najbliższego niezależnego centrum serwisowego RIDGID lub wszelkich kwestii dotyczących serwisowania lub naprawy, należy:

- Skontaktować się z lokalnym dystrybutorem firmy RIDGID.
- Odwiedzić stronę RIDGID.com w celu znalezienia lokalnego punktu kontaktowego firmy Ridge Tool.
- Skontaktować się z Działem Pomocy Technicznej firmy Ridge Tool pod adresem rttechservices@emerson.com lub w USA i Kanadzie zadzwonić na numer (800) 519-3456.

Utylizacja

Części bezdotykowego termometru na podczerwień RIDGID micro IR-200 zawierają cenne materiały i mogą być wykorzystane ponownie. Lokalnie można znaleźć firmy specjalizujące się w recyklingu. Zutilizować wszystkie części zgodnie z wszystkimi stosownymi przepisami. W celu uzyskania dalszych informacji należy skontaktować się z lokalnymi władzami odpowiedzialnymi za gospodarkę odpadami.



W krajach UE: Nie utylizować urządzeń elektrycznych wraz z odpadami z gospodarstwa domowego!

Zgodnie z Dyrektywą europejską 2012/19/EU dotyczącą odpadów elektrycznych i elektronicznych i ich wdrożeniem do prawodawstwa krajowego, urządzenia elektryczne, które nie są już używane muszą być odbierane oddzielnie i utylizowane w sposób przyjazny dla środowiska.

Utylizacja baterii

W krajach UE: Uszkodzone lub zużyte baterie należy poddać recyklingowi zgodnie z Dyrektywą 2012/19/EU.

micro IR-200

micro IR-200 Bezkontaktní infračervený teploměr



UPOZORNĚNÍ

Před používáním tohoto přístroje si pečlivě přečtěte tento Návod k Použití. Nepochopení a nedodržení obsahu tohoto návodu může vést k úrazu elektrickým proudem, vzniku požáru nebo k závažné újmě na zdraví.

Bezkontaktní infračervený teploměr micro IR-200

Do pole níže запиšte výrobní číslo uvedené na typovém štítku.

Sériové
č.

Obsah

Záznamový formulář sériového čísla stroje	167
Bezpečnostní symboly	169
Všeobecné bezpečnostní předpisy	170
Bezpečnost na pracovišti	170
Elektrobezpečnost	170
Osobní bezpečnost	170
Používání a péče o zařízení	170
Servis	171
Specifické informace o bezpečnosti	171
Bezpečnost infračerveného teploměru	171
Popis, technické údaje a standardní vybavení	171
Popis	171
Specifikace	172
Díly	173
Ikony displeje LCD.....	173
Standardní vybavení	173
Klasifikace laseru	174
Prohlášení úřadu FCC	174
Elektromagnetická kompatibilita (EMC)	174
Výměna/Montáž baterií	174
Kontrola před zahájením práce	175
Nastavení a provoz	176
Nastavení	176
Provoz	177
ZAPÍNÁNÍ a VYPÍNÁNÍ (Provádění opatření)	177
Ovládací prvky micro IR-200	177
Režim průběžného měření (Snímání).....	178
Laser aktivován/deaktivován	178
Podsvícení	178

Používání tlačítka nabídky	178
Nejvyšší poplach.....	178
Mírný poplach.....	178
Jednotky teploty na displeji -°C/°F.....	178
Emisivita	179
Čištění	179
Skladování	179
Servis a opravy	179
Likvidace	179
Likvidace baterie	179
Prohlášení o shodě ES	Na vnitřní straně zadního obalu
Doživotní záruka	Zadní strana

* Překlad původního návodu k používání

Bezpečnostní symboly

V tomto návodu k obsluze a na výrobku jsou použity bezpečnostní symboly a signální slova, která sdělují důležité informace týkající se bezpečnosti. Úlohou tohoto odstavce je snaha o lepší porozumění těmto signálním slovům a symbolům.



Toto je symbol bezpečnostní výstrahy. Je používán pro to, aby vás upozornil na potenciální nebezpečí poranění osob. Dodržujte všech na upozornění týkající se bezpečnosti, na která tento symbol upozorňuje, abyste se vyvarovali možného poranění nebo usmrcení.

NEBEZPEČÍ

NEBEZPEČÍ označuje nebezpečnou situaci, která - kdyby nastala - by mohla mít za následek smrt nebo vážný úraz.

VÝSTRAHA

VÝSTRAHA označuje nebezpečnou situaci, která – kdyby nastala – by mohla mít za následek smrt nebo vážný úraz.

OPATRNĚ

OPATRNĚ označuje nebezpečnou situaci, která – kdyby nastala – by mohla mít za následek menší nebo lehký úraz.

UPOZORNĚNÍ

UPOZORNĚNÍ uvádí informace týkající se ochrany majetku.



Tento symbol znamená, že si před prací s tímto zařízením musíte pečlivě pročíst návod k obsluze. Návod k obsluze obsahuje důležité informace o bezpečné a správné obsluze zařízení.



Tento symbol znamená, že toto zařízení obsahuje laser třídy 2.



Tento symbol znamená, že se nesmíte dívat na laserový paprsek.



Tento symbol varuje před výskytem a nebezpečím laserového paprsku.

Všeobecné bezpečnostní předpisy

⚠ VÝSTRAHA

Přečtěte si všechna bezpečnostní varování a pokyny. Nedodržení varování a pokynů uvedených níže může vést k elektrickému šoku, požáru, případně k závažné újmě na zdraví.

TYTO POKYNY SI ULOŽTE!

Prohlášení o shodě ES (890-011-320.10) bude v případě potřeby součástí této příručky jako zvláštní brožura.

Bezpečnost na pracovišti

- **Udržujte pracovní oblast čistou a dobře osvětlenou.** Prostranství plná nepořádku nebo temná jsou zdrojem nehod.
- **Nepoužívejte zařízení ve výbušném prostředí, například v přítomnosti hořlavých kapalin, plynů nebo prachu.** Zařízení může vytvářet jiskry, které mohou zapálit prach nebo výparu.
- **Děti a okolo stojící osoby se nesmí přibližovat k obsluze zařízení.** Rozptylování může mít za následek ztrátu kontroly.

Elektrobezpečnost

- **Vyhýbejte se tělesnému kontaktu s uzemněnými nebo ukostřenými povrchy, jako jsou potrubí, radiátory, kuchyňské sporáky a lednice.** Zde je zvýšené riziko zasažení elektrickým proudem, když vaše tělo je ve styku s uzemněným nebo ukostřením.
- **Nevystavujte zařízení dešti ani mokřým podmínkám.** Pokud se do zařízení dostane voda, zvýší se riziko úrazu elektrickým proudem.

Osobní bezpečnost

- **Při používání zařízení se mějte neustále na pozoru, sledujte, co děláte, a používejte zdravý rozum. Nepoužívejte zařízení, pokud jste unaveni nebo pod vlivem drog, alkoholu či léků.** Stačí

okamžik nepozornosti při používání zařízení a může dojít k závažné újmě na zdraví.

- **Používejte osobní ochranné pomůcky.** Vždy noste ochranu očí. Ochranné pomůcky, jako protiprachová maska, neklouzavá bezpečnostní obuv, ochranná přilba nebo ochrana sluchu, používané v příslušných podmínkách snižují počet osobních poranění.
- **Nezacházejte příliš daleko. Správně se vždy postavte a udržujte rovnováhu.** To vám umožní lepší ovládnání elektrického nářadí v neočekávaných situacích.

Používání a péče o zařízení

- **Zařízení nepřetěžujte. Pro daný účel použijte správné zařízení.** Správné zařízení vám poslouží lépe a bezpečněji, pokud je použito způsobem, pro který bylo navrženo.
- **Nepoužívejte zařízení, pokud ho nelze vypínačem zapnout a vypnout.** Každé nářadí, které nelze ovládat spínačem je nebezpečné a musí být opraveno.
- **Před každým seřizováním, výměnou příslušenství nebo uskladněním odpojte baterie od přístroje.** Takové preventivní bezpečnostní opatření snižuje riziko úrazu.
- **Nepoužívané zařízení uchovávejte mimo dosah dětí a nedovolte, aby ho používaly osoby, které s ním neumí zacházet nebo neznají tyto pokyny.** Zařízení může být v rukou neproškolených uživatelů nebezpečné.
- **Provádějte údržbu zařízení.** Zkontrolujte, zda jsou pohyblivé části správně seřizeny a připojeny, zda nějaké části nechybí nebo nejsou poškozeny nebo zda nevznikly jiné podmínky, které mohou mít dopad na použití zařízení. Pokud je zařízení poškozeno, nechte ho před použitím opravit. Mnoho nehod je způsobeno zařízeními, která nebyla řádně udržována.
- **Používejte zařízení a příslušenství v souladu s těmito pokyny, zohledněte pracovní podmínky a práci, kterou máte provádět.** Použití zařízení pro jiné činnosti, než pro které je určeno, by mohlo vést k nebezpečným situacím.

- **Používejte pouze příslušenství doporučené výrobcem zařízení.** Příslušenství vhodné pro jedno zařízení může být při použití s jiným zařízením nebezpečné.
- **Držadla udržujte suchá, čistá a zbavená oleje a mastnoty.** Bude tak zajištěno lepší ovládání zařízení.

Servis

- **Servis zařízení musí provádět kvalifikovaná osoba při použití identických náhradních dílů.** Tím se zajistí, že bude dodržena bezpečnost nářadí.

Specifické informace o bezpečnosti

⚠ VÝSTRAHA

Tato část obsahuje důležité bezpečnostní informace, které se speciálně týkají tohoto nástroje.
Tato preventivní opatření si před používáním bezkontaktního infračerveného teploměru RIDGID® micro IR-200 pečlivě přečtete, abyste snížili riziko požáru nebo výbuchu nebo jiného vážného osobního poranění.

TYTO POKYNY SI ULOŽTE!

Tento návod mějte uložen u přístroje, aby ho měla obsluha po ruce.

Bezpečnost infračerveného teploměru

- **Nedívejte se do laserového paprsku.** Dívat se do laserového paprsku může být pro vaše oči nebezpečné. Na laserový paprsek se nedívejte optickými pomůckami (jako jsou dalekohledy nebo teleskopy).
- **Laserovým paprskem nemířte na jiné lidi.** Přesvědčte se, že laser míří nad nebo pod úroveň očí. Laserový paprsek je pro oči nebezpečný.
- **V žádném případě nepoužívejte toto zařízení k osobní prohlídce nebo k lékařským účelům.** Nejedná se o lékařský přístroj. Mohlo by dojít k úrazu.

- **Při práci v blízkosti elektrických, pohyblivých se nebo horkých součástí učinite vhodná opatření.** Blízký kontakt může být příčinou zasažení elektrickým proudem, zachycení, popálení a jiného vážného poranění. Může být třeba používat ochranné pomůcky.

⚠ OPATRNĚ Použití ovládacích prvků, nastavení nebo provádění postupů jiných, než které jsou zde uvedeny, může mít za následek vystavení nebezpečnému záření.

Pokud máte nějaké dotazy týkající se tohoto výrobku firmy RIDGID®:

- Spojte se s místním obchodním zástupcem firmy RIDGID.
- Navštivte RIDGID.com a vyhledejte vaše místní kontaktní místo pro výrobky RIDGID.
- Kontaktujte technické oddělení společnosti Ridge Tool na rttechservices@emerson.com nebo v USA a Kanadě zavolejte na číslo (800) 519-3456.

Popis, technické údaje a standardní vybavení

Popis

Bezkontaktní infračervený teploměr RIDGID® micro IR-200 zajišťuje snadné, rychlé a přesné měření teploty povrchu pouhým stisknutím tlačítka. Stisknete pouze spoušť a namíříte ultra silné dvojité lasery II třídy na měřený povrch. Teploměr micro IR-200 poskytne okamžitě změření teploty na jasné a snadno čitelném podsvíceném LCD displeji. Navíc, k bezpečnosti dalších možností použití, umožňuje tento robustní, kompaktní přístroj specializovanému řemeslníkovi diagnostikovat závady topení a větrání, provádět preventivní monitorování elektrických motorů a systémů, odstraňovat závady odváděčů kondenzátu a rychle zkontrolovat přehřátí tavných pojistek nebo jističů bez spojení. Přístroj micro IR-200 používá optiku pro snímání vysílané, odrážené a přenašené energie, která je zachycována a umístěna do ohniska detektoru. Elektronika jednotky přemění informaci na teplotní údaj, který je zobrazen. Lasery jsou používány jako pomoc při zaměřování.

Specifikace

Rozsah teploty.....	-58°F až 2192°F (-50°C až 1200°C)
Součinitel vzdálenosti ke skvrně.....	30 k 1
Přesnost měření.....	-58°F ~68°F (50°C ~20°C): ± 4,5°F (2,5°C) 68°F ~1472°F (20°C ~800°C) ± 1,0 % nebo ± 1,8°F (1,0°C)
Opakovatelnost.....	-58°F ~68°F (50°C ~20°C): ± 2,3°F (1,3°C) 68°F ~1472°F (20°C ~800°C) ± 0,5 % nebo ± 0,9°F (0,5°C)
Doba odezvy.....	150 ms
Spektrální doba odezvy.....	8 ~ 14 um
Emisivita.....	Nastavitelná, 0,10 - 1,00
Odečet nad rozsah.....	LCD vykáže "----"
Dioda laseru.....	Výkon <1 mW, vlnová délka 630 ~ 670 nm, výrobek obsahující laser třídy 2
Displej teploty.....	Aktuální teplota, MAX. teplota
Měrné jednotky.....	Fahrenheit, Celsius
Provozní teplota.....	32°F až 122°F (0° C až 50°C)
Skladovací teplota.....	14°F až 140°F (-10°C až 60°C)
Rozlišení displeje.....	0,1°F (0,1°C)
Relativní vlhkost.....	10 % ~ 90 % relativní vlhkosti při provozu, < 80 % relativní vlhkosti při skladování
Baterie.....	9 V baterie (1), NEDA 1604 A nebo IEC 6LR61, nebo stejné hodnoty
Hodnocení IP.....	IP54
Hmotnost.....	0,6 libry (0,3 kg)

Vlastnosti

- Funkce rychlého zjištění
- Zaměřování dvojitým laserem II. třídy
- Automatické uchování údajů
- Displeje MAXIMÁLNÍ teploty
- Přesná bezkontaktní měření
- Automatický rozsah volby a rozlišovací schopnost displeje 0.1°F (0,1°C)
- Displej s podsvícením LCD
- Zámek spouště
- Nastavení nejvyššího a mírného poplachu
- Nastavitelná emisivita



Obrázek 1 – Bezkontaktní infračervený teploměr micro IR-200

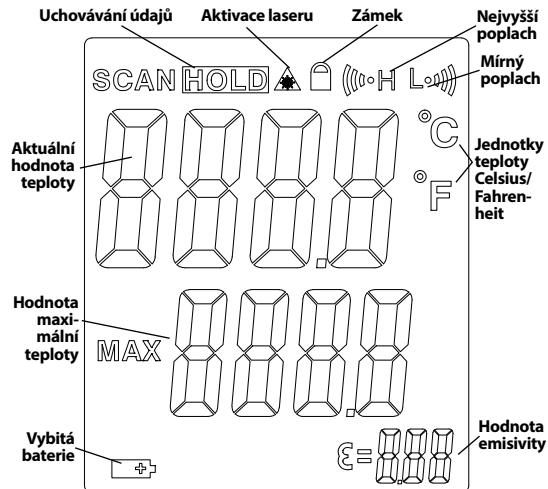
Díly



Obrázek 2 - Díly micro IR-200



Ikony displeje LCD



Obrázek 3 - Ikony displeje micro IR-200

Standardní vybavení

- micro IR-200
- Přepravní pouzdro
- Baterie 1 x 9 V
- Návod k použití

UPOZORNĚNÍ Toto zařízení se používá pro měření teploty. Nesprávné používání nebo nevhodná aplikace má za následek nesprávná nebo nepřesná měření. Za výběr způsobů vhodného měření v daných podmínkách odpovídá uživatel.

Klasifikace laseru



RIDGID micro IR-200 vyrábí viditelný laserový paprsek, který je vysílán přední částí přístroje.

Přístroj vyhovuje třídě laserů 2 dle: IEC 60825- 1:2007

Prohlášení úřadu FCC

Toto zařízení bylo testováno a vyhovuje omezením pro digitální zařízení třídy B podle částí 15 Pravidel FCC. Tato omezení jsou stanovená tak, aby zajišťovala dostatečnou ochranu proti škodlivému rušení v obytných prostorách.

Zařízení generuje, používá a může vyzařovat energii o rádiové frekvenci a pokud není instalováno a používáno podle návodu, může rušit rádiovou komunikaci.

Nicméně neexistuje záruka, že v konkrétní instalaci k takovému rušení nedojde.

Pokud zařízení skutečně způsobí rušení příjmu rozhlasového nebo televizního signálu, což lze ověřit vypnutím a zapnutím zařízení, uživatel se může pokusit rušení odstranit jedním nebo několika z následujících způsobů:

- Změnit orientaci nebo přemístit anténu přijímače.
- Zvětšit vzdálenost mezi zařízením a přijímačem.
- Požádat o pomoc prodejce nebo zkušeného opraváře rozhlasových přijímačů nebo televizorů.

Elektromagnetická kompatibilita (EMC)


Termín elektromagnetická kompatibilita je použit k vyjádření schopnosti výrobku dobře fungovat v prostředí, kde se nacházejí elektromagnetické záření a elektrostatické výboje, a bez toho, aniž způsobí elektromagnetické rušení jiných zařízení.

UPOZORNĚNÍ RIDGID micro IR-200 vyhovuje všem použitelným standardům elektromagnetické kompatibility. Avšak nelze vyloučit možnost vzájemného působení na jiné přístroje.



Obrázek 4 – Vyjmutí schránky baterie

Výměna/Montáž baterií

Přístroj micro IR-200 se dodává bez vložené baterie. Když se zobrazí indikátor baterie (Obrázek 3) , musí baterii vyměnit. Před dlouhodobým uskladněním baterii vyjměte, aby nevytekla.

1. Stiskněte západky a vyjměte schránku baterií z teploměru (Obrázek 4). Pokud je to třeba, baterii vyjměte.

2. Nainstalujte alkalickou baterii 9 V (6LR61), dejte pozor na správnou polaritu označenou ve schránce na baterii.



Obrázek 5 – Schránka baterie a označení polaritu

3. Stiskněte západky a provedte správné zasunutí do teploměru. Schránku lze zasunout pouze jedním způsobem. Nepoužívejte sílu. Zkontrolujte její bezpečné upevnění.

Kontrola před zahájením práce

⚠ VÝSTRAHA

Před každým použitím ukřačervený teploměr zkontrolujte a opravte všechny závady, abyste snížili riziko poranění nebo nesprávného měření.

Neďevjte se do laserového paprsku. Dívat se do laserového paprsku je pro vaše oči nebezpečné.

1. Očistěte přístroj od oleje, tuku nebo nečistot. Kontroly se tak budou provádět lépe.

2. Zkontrolujte, zda nejsou části systému micro IR-200 poškozené, opotřebené nebo zda nějaké části nechybí, nejsou chybně vyrovnané nebo spojené, nebo zda nenastal jiný stav, který může bránit normálnímu a bezpečnému provozu.
3. Zkontrolujte, zda jsou výstražné štítky na místě, jsou připevněné a dobře čitelné. (Obrázek 6).
4. Pokud během kontroly zjistíte jakékoli problémy, nepoužívejte infračervený teploměr, dokud takové problémy nenapravíte.
5. Infračervený teploměr ZAPNĚTE dle návodu k obsluze, proveďte měření a ověřte shodnost měření změnění pomocí jiného nástroje (kontaktního teploměru, atd.). Když vzájemný vztah mezi rozměry je nepřijatelný, infračervený teploměr nepoužívejte, dokud nebude řádně opravený.



Obrázek 6 – Výstražné štítky



Nastavení a provoz

⚠ VÝSTRAHA



Neďívejte se do laserového paprsku. Dívat se do laserového paprsku je pro vaše oči nebezpečné. Na laserový paprsek se neďívejte optickými pomůckami (jako jsou dalekohledy nebo teleskopy).

Laserovým paprskem nemířte na jiné lidi. Přesvědčte se, že laser míří nad nebo pod úroveň očí. Laserový paprsek je pro oči nebezpečný.

Při práci v blízkosti elektrických, pohyblivých se nebo horkých součástí učinite vhodná opatření. Blízký kontakt může být příčinou zasažení elektrickým proudem, zachycení, popálení a jiného vážného poranění. Může být třeba používat ochranné pomůcky.

Seřizujte a pracujte s infračerveným teploměrem dle těchto postupů, abyste snížili riziko poranění nebo nesprávných měření.

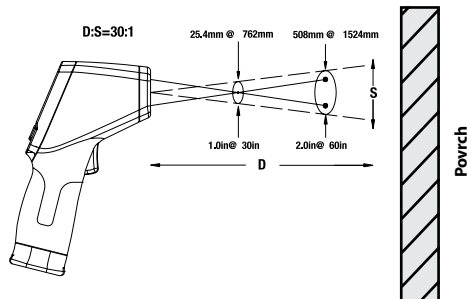
Nastavení

1. Zkontrolujte, zda jsou v pracovní zóně vhodné podmínky, jak se uvádí v oddílu *Obecná bezpečnostní pravidla*.
2. Zkontrolujte předmět, který se má měřit a přesvědčte se, že máte pro tuto práci správné vybavení. *Informace o dosahu, přesnosti a další* viz oddíl Specifikace.

Existuje celá řada okolností, které mohou přesnost měření micro IR-200 ovlivnit, včetně:

Zorné pole – Přístroj micro IR-200 používá pro promítání bodů na obou stranách měřeného prostoru dva lasery. Tyto body označují přibližný průměr prostoru ("skvrnu"), ve kterém je teplota měřena.

Když se micro IR-200 od povrchu vzdaluje (D), tento prostor a velikost skvrny (S) se zvětšuje. Plocha je ve vzdálenosti přibližně 1/30 vzdálenosti od povrchu. (Viz Obrázek 7).



Obrázek 7 – Zorné pole

Skvrna má být vždy menší než povrch. Čím je povrch menší, tím má micro IR-200 být blíže k povrchu. K docílení nejvyšší přesnosti má být povrch dvakrát větší než skvrna.

Emisivita – Je termín, který se používá k popisu materiálů a jejich schopnosti vyzařovat tepelnou energii, a může nabývat hodnoty v rozsahu 0 až 1. Zařízení micro IR-200 umožňuje nastavení hodnoty emisivity v rozsahu 0,10 až 1,00 k výpočtu teploty. Pokud není známa hodnota emisivity povrchu, lze u mnoha aplikací, jako např. u natřených povrchů, použít emisivitu o hodnotě 0,95. Hodnoty emisivity běžných materiálů jsou zahrnuty v *Obrázku 8*.

Materiál	Emisivita	Materiál	Emisivita
Hliník, leštěný	0,05	Nátěrová barva	0,95
Asfalt	0,88	Papír, bílý	0,90
Cihla	0,90	Omitka, hrubá	0,89
Beton, hrubý	0,91	Přyz	0,93
Měď, leštěná	0,04	Ocel, galvanizovaná	0,28
Sklo	0,95	Ocel, oxidovaná	0,88
Vápenec	0,92	Voda	0,96
Mramor, leštěný	0,90		

Obrázek 8 – Hodnoty emisivity běžných materiálů

Teplota – Protože micro IR-200 vyrovnává kolísání teploty okolí, velké změny v okolí a měřených teplot mohou přesnost měření snižovat. Při výskytu značných změn okolní teploty (více než 30°F nebo 17°C), ponechte, pro dosažení nejlepší přesnosti, micro IR-200 se patnáct minut přizpůsobovat.

Překážky – Pára, prach, kouř a jiné překážky, jako je sklo nebo plast mezi micro IR-200 a měřeným povrchem mohou přesnost měření snížit. Ty brání optice jednotky nebo zapíčiňují chybné výsledky měření (měření teploty skla namísto povrchu). Při výskytu překážek neměřte.

- Ujistěte se, že veškeré vybavení bylo patřičně zkontrolováno.

Provoz

ZAPÍNÁNÍ a VYPÍNÁNÍ (Provádění opatření)

- Přístroj micro IR-200 uchopte za rukojeť a namířte jej na povrch, který budete měřit. Vyhněte se všem elektrickým, pohybujícím se nebo horkým součástem. Před zapnutím pomocí ZAPNUTO se přesvědčte, že jednotka je zaměřena bezpečným směrem, stranou všech okolostojících.
- Stiskněte spoušť, aby se micro IR-200 ZAPNUL. Po stisknutí spouště se ZOBRAZÍ ikona SCAN a micro IR-200 začne, od okamžiku ZAPNUTÍ jednotky, průběžně zobrazovat současnou hodnotu teploty a maximální hodnotu teploty.

Přístrojem micro IR-200 se můžete, pro zjištění horkých a chladných míst, pomalu po povrchu pohybovat. Viz *sekcí nejvyššího a mírného poplachu*, kde naleznete informace o nastavení nejvyššího a mírného poplachu.

- Když spoušť uvolníte, ZOBRAZÍ se ikona HOLD. Přístroj micro IR-200 se po sedmi sekundách automaticky VYPNE, pokud jednotka není v režimu průběžného měření.

Ovládací prvky micro IR-200



Obrázek 9 – Displej/Tlačítka micro IR-200

Režim průběžného měření (Snímání)

Přístroj micro IR-200 lze uzamknout na ZAPNUTO, aby bylo umožněno měření bez tisknutí spouště. Před zapnutím pomocí ZAPNUTO se přesvědčte, že jednotka je zaměřena bezpečným směrem, stranou všech okolostojících. Přístroj micro IR-200 ZAPNĚTE stisknutím a přidržením spouště. Když spoušť přidržujete, stiskněte a uvolněte tlačítko nabídky. ZOBRAZÍ se ikony SCAN a zámku. Uvolněte spoušť a přístroj micro IR-200 bude průběžně aktualizovat měřenou teplotu až do chvíle, kdy spínací spoušť stisknete a opět uvolníte.

Laser aktivován/deaktivován

Pokud je to třeba, lze lasery používané pro zaměřování vypnout, aby se šetřila životnost baterie. Když to učiníte, musíte být při zaměřování micro IR-200 zvláště pozorní, aby odčítané údaje byly správné. Pro aktivování nebo deaktivování stiskněte a uvolněte při tisknutí spouště tlačítko aktivace laseru. Když je laser aktivován, ikona aktivace laseru je ZAPNUTÁ.

Podsvícení

Pro práci v málo osvětleném prostoru je micro IR-200 vybaven podsvícením displeje. Pro ZAPNUTÍ nebo VYPNUTÍ podsvícení, když je jednotka ZAPNUTÁ, stiskněte tlačítko podsvícení.

Používání tlačítka nabídky

Po stisknutí spouště vám stisknutí a uvolnění tlačítka nabídky umožní cyklicky procházet následujícím sledem nastavení: Výstraha vysoké hodnoty ZAP/VYP, nastavení výstrahy vysoké teploty, výstraha nízké hodnoty ZAP/VYP, nastavení výstrahy nízké teploty, jednotky teploty na displeji, emisivita.

Nejvyšší poplach

Nejvyšší poplach vydává akustický tón, když současná teplota převyší přednastavenou hranici. Pro zapnutí nejvyššího poplachu stiskněte a uvolněte spoušť a potom stiskněte a uvolněte tlačítko nabídky, až ikona nejvyššího poplachu začne blikat. Pro vlastnost nejvyššího poplachu ZAPNUTO/VYPNUTO použijte tlačítka nahoru/dolů, podle zobrazení na řádce aktuální hodnoty teploty. Znovu stiskněte a uvolněte tlačítko nabídky. Ikona nejvyššího poplachu bude nadále blikat a objeví se teplota nejvyššího poplachu. Pro změnu požadované teploty nejvyššího poplachu použijte tlačítka nahoru/dolů. Pro opuštění režimu nastavení stiskněte spoušť a svůj výběr uložte do paměti.

Mírný poplach

Mírný poplach vydává akustický tón, když současná teplota klesne pod přednastavenou hranici. Pro zapnutí mírného poplachu stiskněte a uvolněte spoušť a potom stiskněte a uvolněte tlačítko nabídky, až ikona mírného poplachu začne blikat. Pro vlastnost mírného poplachu ZAPNUTO/VYPNUTO použijte tlačítka nahoru/dolů, podle zobrazení na řádce aktuální hodnoty teploty. Znovu stiskněte a uvolněte tlačítko nabídky. Ikona mírného poplachu bude nadále blikat a objeví se teplota mírného poplachu. Pro změnu požadované teploty mírného poplachu použijte tlačítka nahoru/dolů. Pro opuštění režimu nastavení stiskněte spoušť a svůj výběr uložte do paměti.

Jednotky teploty na displeji -°C/°F

Přístroj micro IR-200 může zobrazovat teploty buď v stupních Celsia (C) nebo Fahrenheita (F). Pro změnu zobrazené jednotky stiskněte a uvolněte spoušť a potom stiskněte a uvolněte tlačítko nabídky, až jednotka teploty na obrazovce začne blikat. Pro přepínání mezi C nebo F použijte dle potřeby tlačítka nahoru/dolů. Pro opuštění režimu nastavení stiskněte spoušť a svůj výběr uložte do paměti.

Emisivita

Hodnotu emisivity lze nastavit v rozsahu 0,10 až 1,00. K určení vhodné hodnoty pro vaši aplikaci, viz část nastavení. Tuto hodnotu nastavíte stisknutím a uvolněním spouště následovaní stisknutím a uvolněním tlačítka nabídky, dokud na obrazovce nebude blikat hodnota emisivity. Pomocí tlačítek nahoru/dolů zvýšíte nebo snížíte hodnotu emisivity. Pro opuštění režimu nastavení stiskněte spoušť a svůj výběr uložte do paměti.

Čištění

Bezkontaktní infračervený teploměr RIDGID micro IR-200 nepoňujte do vody. Nečistotu otřete vlhkou, měkkou tkaninou. Nepoužívejte agresivní čisticí prostředky nebo roztoky. S přístrojem zacházejte tak, jako s teleskopem nebo s kamerou.

Skladování

Bezkontaktní infračervený teploměr RIDGID micro IR-200 musíte skladovat na suchém a bezpečném místě mezi 14°F (-10°C) a 140°F (60°C).

Přístroj uskladněte v uzamčeném prostoru, z dosahu dětí a lidí neseznámených s obsluhou micro IR-200.

Před každou dlouhou dobou skladování nebo přepravou vyjměte baterii, aby nevytekla.

Servis a opravy

VÝSTRAHA

Nevhodný servis nebo oprava bezkontaktního infračerveného teploměru RIDGID micro IR-200 může způsobit, že bude při provozu nebezpečný.

Servis a opravy zařízení micro IR-200 musí být prováděny autorizovaným nezávislým servisním střediskem firmy RIDGID.

Pro informace o vašem nejbližším autorizovaném nezávislém servisním středisku firmy RIDGID nebo jakékoli dotazy týkající se servisu nebo oprav:

- Spojte se s místním obchodním zástupcem firmy RIDGID.
- Navštivte RIDGID.com, kde naleznete spojení s místním kontaktním střediskem Ridge Tool.
- Kontaktujte technické oddělení společnosti Ridge Tool na rttechservices@emerson.com nebo v USA a Kanadě zavolejte na číslo (800) 519-3456.

Likvidace

Díly bezkontaktního infračerveného teploměru RIDGID micro IR-200 obsahují cenné materiály a lze je recyklovat. Existují společnosti, které se na recyklování specializují a lze je najít v místě. Komponenty zlikvidujte ve shodě se všemi platnými předpisy. Pro získání dalších informací se spojte s místním úřadem pro hospodaření s odpady.



V zemích EU: Elektrická zařízení nezahazujte do domácího odpadu!

Podle Směrnice 2012/19/EU pro likvidaci elektrických a elektronických zařízení a její aplikace v národních legislativách musí být nepoužitelná elektrická zařízení shromážděna na samostatně a zlikvidována ekologickým způsobem.

Likvidace baterie

V zemích EU: Vadné nebo použité baterie musí být recyklovány podle směrnice 2012/19/EU.

micro IR-200

micro IR-200 Bezdotykový infračervený teplomer



VÝSTRAHA

Pred použitím tohto nástroja si dôkladne prečítajte používateľskú príručku. Nepochopenie a nedodržanie pokynov uvedených v tejto používateľskej príručke môže viesť k úrazom elektrickým prúdom, požiaru a/alebo vážnym zraneniam osôb.

Bezdotykový infračervený teplomer micro IR-200

Zaznamenajte si nižšie uvedené výrobné číslo a uchovajte si výrobné číslo produktu, ktoré je uvedené na typovom štítku.

Výrobné
č.

Obsah

Záznamový formulár pre výrobné číslo prístroja	181
Bezpečnostné symboly	183
Všeobecné bezpečnostné pokyny	184
Bezpečnosť na pracovisku	184
Elektrická bezpečnosť	184
Bezpečnosť osôb	184
Použitie a starostlivosť o prístroj	184
Servis	185
Špecifické bezpečnostné informácie	185
Bezpečnosť pri práci s infračerveným teplomerom	185
Popis, technické údaje a štandardné vybavenie	185
Popis	185
Technické údaje	186
Časti	187
Ikony na displeji LCD	187
Štandardné vybavenie	187
Trieda laserových produktov	188
Vyhlásenie FCC	188
Elektromagnetická kompatibilita (EMC)	188
Inštalácia a výmena batérií	188
Kontrola pred prevádzkou	189
Nastavenie a prevádzka	190
Nastavenie	190
Prevádzka	191
Zapínanie a vypínanie (Meranie)	191
Ovládacie prvky micro IR-200	191
Režim nepretržitého merania (Skenovania)	192
Zapnutý/Vypnutý laser	192
Podsvietenie	192

Používanie tlačidla Menu (Ponuka)	192
Alarm vysokej teploty	192
Alarm nízkej teploty	192
Zobrazované jednotky teploty - °C/°F	192
Emisivita	193
Čistenie	193
Skladovanie	193
Servis a opravy	193
Likvidácia	193
Vyhlásenie ES o zhode	Vnútri zadného obalu
Celoživotná záruka	Zadná strana

*Preklad pôvodného návodu na použitie

Bezpečnostné symboly

V tejto používateľskej príručke a na výrobku sú použité bezpečnostné symboly a varovné hlásenia, ktoré slúžia ako upozornenie na dôležité bezpečnostné informácie. Táto časť má pomôcť lepšie porozumieť týmto varovným hláseniam a symbolom.



Toto je symbol bezpečnostnej výstrahy. Označuje riziko možného zranenia osôb. Dodržaním všetkých bezpečnostných pokynov, ktoré sú uvedené pod týmto symbolom, môžete predísť možným zraneniam alebo úrazom s následkom smrti.

NEBEZPEČENSTVO

NEBEZPEČENSTVO indikuje nebezpečnú situáciu, ktorej ak nepredídete, bude mať za následok usmrtenie alebo ťažké zranenie.

VÝSTRAHA

VÝSTRAHA indikuje nebezpečnú situáciu, ktorej ak nepredídete, môže mať za následok usmrtenie alebo ťažké zranenie.

UPOZORNENIE

UPOZORNENIE indikuje nebezpečnú situáciu, ktorej ak nepredídete, môže mať za následok ľahké alebo stredne ťažké zranenie.

POZNÁMKA

POZNÁMKA označuje informácie, ktoré sa vzťahujú na ochranu majetku.



Tento symbol znamená, že pred používaním prístroja je nevyhnutné prečítať si používateľskú príručku. Táto používateľská príručka obsahuje informácie dôležité pre bezpečnosť a správnu prevádzku zariadenia.



Tento symbol znamená, že prístroj obsahuje laser triedy 2.



Tento symbol znamená zákaz pozeráť sa do laserového lúča.



Tento symbol upozorňuje na prítomnosť laserového lúča a riziká s ním spojené.

Všeobecné bezpečnostné pokyny

▲ VÝSTRAHA

Prečítajte si všetky bezpečnostné výstrahy a pokyny. Chyby pri dodržiavaní týchto pokynov môžu spôsobiť zásah elektrickým prúdom, požiar a/alebo ťažké poranenia.

TIETO POKYNY USCHOVAJTE!

V prípade potreby bude k tomuto návodu pripojené ES Prehlásenie o zhode (890-011-320.10) ako samostatný materiál.

Bezpečnosť na pracovisku

- **Udržujte pracovné miesto čisté a dobre osvetlené.** Preplnené a tmavé miesta spôsobujú nehody.
- **Prístroj nepoužívajte v priestoroch s výbušnou atmosférou, ako napr. v prítomnosti horľavých kvapalín, plynov alebo prachu.** Prístroj môže spôsobiť iskry, ktoré môžu zapáliť prach alebo výpary.
- **Deti a okolostojace osoby musia byť pri práci s prístrojom v dostatočnej vzdialenosti.** V prípade odpútania pozornosti by ste mohli stratiť kontrolu nad prístrojom.

Elektrická bezpečnosť

- **Zabráňte telesnému kontaktu s uzemnenými povrchmi, ako sú napríklad potrubia, radiátory, okruhy a chladiace časti.** Ak je vaše telo uzemnené, hrozí zvýšené riziko zasiahnutia elektrickým prúdom.
- **Prístroj nevystavujte dažďu alebo vlhku.** Voda, ktorá sa dostane do prístroja, zvyšuje riziko zasiahnutia elektrickým prúdom.

Bezpečnosť osôb

- **Pri práci s prístrojom buďte pozorní a vždy sa sústreďte na to, čo práve robíte. Prístroj nepoužívajte, ak ste unavení, pod vplyvom drogy, alkoholu alebo liekov.** Chvilka nepozornosti počas prevádzky prístroja môže spôsobiť ťažké zranenia osôb.

- **Používajte osobné ochranné pomôcky.** Vždy používajte ochranu očí. Ochranné vybavenie, ako protiprachová maska, protišmyková obuv, ochranná prilba, alebo chrániče sluchu použité v príslušných podmienkach znižia riziko poškodenia zdravia.
- **Nenaťahujte sa príliš ďaleko. Stále udržiavajte pevný postoj a rovnováhu.** To umožňuje lepšie ovládanie ručného elektrického náradia v neočakávaných situáciách.

Použitie a starostlivosť o prístroj

- **Nepoužívajte prívelkú silu na prístroj. Použite správne zariadenie na vykonávanú činnosť.** Správne zariadenie urobí lepšie a bezpečnejšie prácu, na ktorú je určené.
- **Nepoužívajte prístroj, ak sa vypínač neprepína do polohy ON (Zapnutý) a OFF (Vypnutý) a prístroj sa nedá zapnúť ani vypnúť.** Každé elektrické náradie, ktoré nie je možné ovládať vypínačom, je nebezpečné a je nevyhnutné ho opraviť.
- **Pred nastavením, výmenou príslušenstva alebo uskladnením prístroja z neho vyberte batérie.** Takéto preventívne opatrenia znižujú riziko zranenia.
- **Nepoužívaný prístroj uskladnite mimo dosahu detí a nedovoľte osobám, ktoré nie sú oboznámené s obsluhou prístroja alebo s týmito pokynmi, aby manipulovali s prístrojom.** Prístroj môže byť v rukách nepoučených používateľov nebezpečný.
- **Vykonávajte správnu údržbu prístroja.** Skontrolujte, či pohybujuce sa časti nemajú nesprávnu vzájomnú polohu alebo nie sú zablokované, či nechýbajú nejaké časti, či nie sú nejaké časti zlomené alebo nenastal akýkoľvek iný stav, ktorý môže ovplyvniť prevádzku prístroja. Ak je prístroj poškodený, pred použitím zabezpečte jeho opravu. Veľa nehôd je spôsobených nedostatočnou údržbou prístroja.
- **Prístroj a príslušenstvo používajte v súlade s týmito pokynmi, berúc do úvahy pracovné podmienky a prácu, ktorú treba vykonať.** Použitie prístroja na práce, na ktoré nie je určený, môže mať za následok nebezpečné situácie.

- **Používajte len také príslušenstvo, ktoré odporúča výrobca vášho prístroja.** Príslušenstvo, ktoré môže byť vhodné pre jeden druh prístroja, môže byť nebezpečné, ak sa použije s iným prístrojom.
- **Rukoväte udržiavajte suché a čisté, bez zvyškov oleja a maziva.** Umožňuje to lepšie ovládanie prístroja.

Servis

- **Servis vášho prístroja zverte iba kvalifikovanej osobe, ktorá použije výhradne identické náhradné dielce.** Tým zaistíte zachovanie bezpečnosti prístroja.

Špecifické bezpečnostné informácie

⚠ VÝSTRAHA

Táto časť obsahuje dôležité bezpečnostné informácie, ktoré sú špecifické pre tento prístroj.

Pred použitím bezdotykového infračerveného teplomera micro RIDGID® IR-200 si dôkladne prečítajte tieto bezpečnostné pokyny. Znížite tak riziko požiaru, výbuchu alebo iných ťažkých zranení osôb.

TIETO POKYNY USCHOVAJTE!

Túto príručku uchovávajte spolu s prístrojom pre potreby obsluhy.

Bezpečnosť pri práci s infračerveným teplomerom

- **Nepozerajte sa do laserového lúča.** Pohľad do laserového lúča môže byť nebezpečný pre zrak. Nepozerajte sa do laserového lúča s použitím optických pomôcok (ako napr. ďalekohľad alebo teleskop).
- **Nesmerujte laserový lúč na iné osoby.** Uistite sa, že laserový lúč smeruje nad alebo pod úroveň zraku. Laserové lúče môžu poškodiť zrak.
- **Tento prístroj nepoužívajte na vyšetrovanie osôb ani na lekárske účely.** Toto nie je lekársky prístroj. Mohlo by dôjsť k zraneniam osôb.

- **Pri práci v blízkosti elektrických, pohyblivých sa alebo horúcich častí dodržujte príslušné bezpečnostné opatrenia.** Kontakt môže spôsobiť zásah elektrickým prúdom, zachytenie častí odevu alebo tela, popáleniny a iné vážne zranenia. Možno bude treba použiť ochranné pomôcky.

⚠ UPOZORNENIE Používanie iných ovládacích prvkov, úprav, či postupov než tých, ktoré sú tu špecifikované, môže mať za následok nebezpečnú expozíciu rádiácií.

Ak máte akékoľvek otázky, ktoré súvisia s týmto výrobkom značky RIDGID®:

- Obráťte sa na miestneho distribútora výrobkov RIDGID.
- Navštívte webovú lokalitu RIDGID.com, kde získate informácie o miestnom kontaktnom bode pre výrobky značky RIDGID.
- Spojte sa s oddelením technických služieb spoločnosti Ridge Tool prostredníctvom e-mailu rtctechservices@emerson.com alebo (v USA a Kanade) volajte (800) 519-3456.

Popis, technické údaje a štandardné vybavenie

Popis

Bezdotykový infračervený teplomer RIDGID® micro IR-200 vykonáva jednoduché, rýchle a presné merania teploty povrchu po stlačení tlačidla. Stačí stlačiť spínač a nasmerovať ultraostrý duálny laserový lúč triedy II na meraný povrch. Teplomer micro IR-200 okamžite zmeria teplotu a nameraný údaj zobrazí na jasnom a ľahko čitateľnom LCD displeji s podsvietením. Tento robustný a kompaktný prístroj umožňuje profesionálom okrem iného diagnostikovať problémy v systémoch kúrenia a ventilácie, vykonávať preventívne monitorovanie elektrických motorov a systémov, riešiť problémy s odlučovacími parami a bezdotykovým kontrolovať poistky a ističe, či sa neprehrievajú.

Teplomer micro IR-200 využíva optické prvky na snímanie vyžiarenej, odrazenej a prenášanej energie, ktorá sa zameriava na detektor. Elektronický systém prístroja tieto informácie prevedie do údajov o teplote, ktorý sa zobrazí na displeji. Lasery sa používajú na pomoc pri zacielení merania.

Technické údaje

Rozsah teplôt.....	-58 °F až 2192 °F (-50 °C až 1200 °C)
Pomer vzdialenosti a bodu.....	30 k 1
Presnosť merania.....	-58 °F ~68 °F (50 °C ~20 °C): 4,5 °F (± 2,5 °C) 68 °F ~1472 °F (20 °C ~800 °C) ±1,0 % alebo ±1,8 °F (1,0 °C)
Opakovateľnosť.....	-58 °F ~68 °F (50 °C ~20 °C): ±2,3 °F (1,3 °C) 68 °F ~1472 °F (20 °C ~800 °C) ±0,5 % alebo ±0,9 °F (0,5 °C)
Čas odozvy.....	150 ms
Spektrálna odozva.....	8~14um
Emisivita.....	Nastaviteľná; 0,10 – 1,00
Indikácia mimo rozsahu.....	Na LCD displeji sa zobrazí "----"
Laser diódy.....	Výkon <1mW, Vlnová dĺžka 630~670nm, laserový výrobok triedy 2
Zobrazenie teploty.....	Aktuálna teplota, MAX teplota
Jednotky merania.....	Fahrenheit, Celsius
Prevádzková teplota.....	32 °F až 122 °F (0 °C až 50 °C)
Skladovacia teplota.....	14 °F až 140 °F (-10 °C až 60 °C)
Rozlíšenie zobrazených údajov.....	0.1 °F (0,1 °C)
Relatívna vlhkosť.....	10 %~90 % - relatívna vlhkosť pri prevádzke, < 80 % - relatívna vlhkosť pri uskladnení
Batérie.....	9V batéria (1), NEDA 1604A alebo IEC 6LR61, alebo ekvivalent
Charakteristika IP.....	IP54
Hmotnosť.....	0.6 lbs (0,3 kg)

Vlastnosti

- Funkcia rýchlej detekcie
- Snímanie s pomocou
duálneho lasera triedy II
- Automatické pozdržanie dát
- Zobrazenie MAX teploty
- Presné bezdotykové merania
- Automatický výber rozsahu a
rozlíšenie zobrazeného údaju
na 0.1 °F (0,1 °C)
- LCD displej s podsvietením
- Poistka spínača
- Nastavenie alarmov vysokej a
nízkej teploty
- Nastaviteľná emisivita


Obrázok č. 1 - Bezdotykový infračervený teplomer micro IR-200

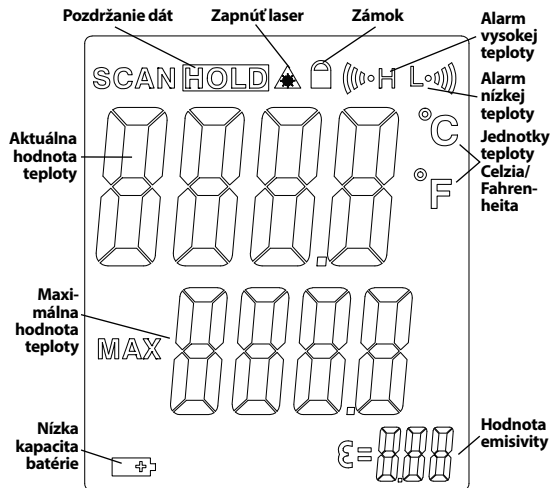
Časti



Obrázok č. 2 – Časti micro IR-200



Ikony na displeji LCD



Obrázok č. 3 – Ikonky na displeji micro IR-200

Štandardné vybavenie

- micro IR-200
- Batéria 1 x 9V
- Puzdro na prenášanie
- Používateľská príručka

POZNÁMKA Tento prístroj sa používa na merania teploty. Nesprávne použitie alebo použitie na nevhodný účel môže mať za následok nesprávne alebo nepresné merania. Užívateľ zodpovedá za voľbu vhodných metód merania v daných podmienkach.

Trieda laserových produktov



Teplomer RIDGID micro IR-200 vytvára viditeľný laserový lúč, ktorý je vyžarovaný z prednej časti prístroja.

Tento prístroj je v súlade s triedou 2 laserových produktov podľa: IEC 60825-1:2007.

Vyhľadanie FCC

Testovanie tohto prístroja preukázalo, že spĺňa obmedzenia pre digitálne zariadenia triedy B podľa časti 15 pravidiel FCC. Tieto obmedzenia sú určené na zabezpečenie primeranej ochrany proti škodlivým interferenciám pri použití v obytných priestoroch.

Tento prístroj vytvára, používa a môže vyžarovať rádiovú energiu a v prípade, že nie je inštalovaný alebo sa nepoužíva v súlade s pokynmi, môže spôsobiť škodlivú interferenciu v rádiodokomunikačných zariadeniach.

Nemožno však zaručiť, že v niektorých konkrétnych prípadoch interferencia nevznikne.

Ak tento prístroj spôsobí škodlivú interferenciu v prijímateľnom rozhlasovom alebo televíznom signále, čo je možné určiť vypnutím a zapnutím prístroja, odporúčame používateľom, aby sa pokúsili interferenciu obmedziť niektorým z nasledujúcich opatrení:

- Pootočte alebo premiestnite prijímaciu anténu,
- Prístroj vzdialte od prijímača,
- Poradte sa s predajcom alebo skúseným rozhlasovým/televíznym technikom, ktorý vám poskytne pomoc.

Elektromagnetická kompatibilita (EMC)


Pojem elektromagnetická kompatibilita znamená schopnosť výrobku pracovať bez problémov v prostredí s elektromagnetickým žiarením a elektrostatickými výbojmi a nespôsobovať elektromagnetické interferencie v iných zariadeniach.

POZNÁMKA Prístroj RIDGID micro IR-200 spĺňa všetky príslušné normy elektromagnetickej kompatibility. Nemožno však vylúčiť možnosť, že prístroj bude spôsobovať interferencie v iných zariadeniach.



Obrázok č. 4 – Vyberanie držiaku batérie

Inštalácia a výmena batérií

Prístroj micro IR-200 sa dodáva bez nainštalovaných batérií. Ak sa na indikátore batérie (obrázok č. 3) zobrazuje symbol , batériu treba vymeniť. Pred dlhodobým uskladnením prístroja batériu vyberte, čím predídete jej vytečeniu.

1. Stlačte úchytky batérie a vyberte držiak batérie z teplomera (obrázok č. 4). V prípade potreby batériu vyberte.
2. Založte 9V alkalickú batériu (6LR61), pričom dodržujte správnu polaritu vyznačenú na držiaku batérie.



Obrázok č. 5 – Držiak batérie a označenie polarity

3. Stlačte úchytky a pevne zasuňte batériu do teplomera. Držiak sa dá zasunúť iba v jednom smere. Nepoužívajte násilie. Uistite sa, že kryt je pevne zaistený.

Kontrola pred prevádzkou

⚠ VÝSTRAHA

Prístroj pred každým použitím skontrolujte a napravte všetky nedostatky. Znížite tým riziko zranenia alebo nesprávneho merania.

Nepozerajte sa do laserového lúča. Pohľad do laserového lúča môže byť nebezpečný pre zrak.

1. Prístroj očistite od zvyškov oleja, maziva a iných nečistôt. Pomáha to pri kontrole.
2. Skontrolujte, či prístroj micro IR-200 nemá zlomené, opotrebované, chýbajúce, vyosené alebo zablokované časti a akýkoľvek iný stav, ktorý by mohol brániť bezpečnej a normálnej prevádzke.
3. Skontrolujte, či sú na prístroji pevne upevnené a čitateľné výstražné štítky (obrázok č. 6).
4. Ak počas kontroly infračerveného teplomeru zistíte závady, prístroj používajte až po vykonaní príslušného servisu.
5. Zapnite infračervený teplomer podľa pokynov na prevádzku, vykonajte meranie a potvrdte meranie iným prístrojom (dotykový teplomer atď.). Ak je korelácia medzi meraniami neprijateľná, infračervený teplomer používajte až po vykonaní príslušného servisu.



Obrázok č. 6 – Výstražné štítky



Nastavenie a prevádzka

⚠ VÝSTRAHA



Nepozerajte sa do laserového lúča. Pohľad do laserového lúča môže byť nebezpečný pre zrak. Nepozerajte sa do laserového lúča s použitím optických pomôcok (ako napr. ďalekohľad alebo teleskop).

Nesmerujte laserový lúč na iné osoby. Uistite sa, že laserový lúč smeruje nad alebo pod úroveň zraku. Laserové lúče môžu byť nebezpečné pre zrak.

Pri práci v blízkosti elektrických, pohybujúcich sa alebo horúcich častí dodržujte príslušné bezpečnostné opatrenia. Tesný kontakt môže mať za následok zásah elektrickým prúdom, zachytenie častí odevu alebo tela, popáleniny a iné vážne zranenia. Možno bude treba použiť ochranné pomôcky.

Nastavte a používajte infračervený teplomer podľa týchto postupov tak, aby sa znížilo riziko poranení osôb, ako aj nesprávnych meraní.

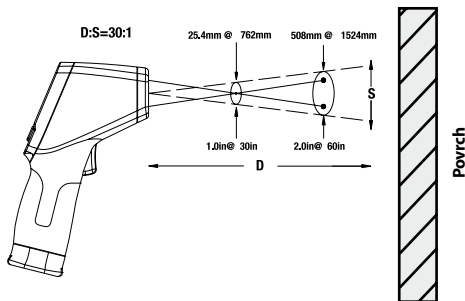
Nastavenie

1. Skontrolujte, či pracovisko spĺňa všetky požiadavky podľa pokynov v časti *Všeobecná bezpečnosť*.
2. Skontrolujte meraný objekt a uistite sa, že máte k dispozícii správne vybavenie pre danú úlohu merania. *Pozrite si časť Technické údaje* kde nájdete informácie o dosahu, presnosti a ďalšie informácie.

Presnosť prístroja micro IR-200 môže ovplyvniť viacero faktorov, ako napríklad:

Zorné pole – Prístroj micro IR-200 využíva dva lasery, ktoré premietajú body po stranách oblasti, ktorej teplotu treba zmerať.

Tieto body označujú približný priemer oblasti ("Bod"), v ktorej sa teplota meria. Pri pohybe prístroja micro IR-200 ďalej (D) od povrchu sa zväčšuje plocha oblasti a veľkosť bodu (S). Príslušná plocha je približne 1/30-násobkom vzdialenosti k povrchu. (Pozri Obrázok č. 7.)



Obrázok č. 7 – Zorné pole

Bod musí byť vždy menší ako povrch. Čím je povrch menší, tým bližšie sa prístroj micro IR-200 musí umiestniť k povrchu. Najpresnejšie výsledky možno dosiahnuť, ak je povrch dvakrát tak veľký ako bod.

Emisivita – Emisivita je termín, ktorý sa používa na opis energiu emitujúcich charakteristík materiálov, a má hodnotu v rozsahu 0 až 1. Prístroj micro IR-200 umožňuje nastavenie hodnoty emisivity v rozsahu 0,10 až 1,00 na výpočet teplôt. Ak vlastnosti emisivity určitého povrchu nie sú známe, hodnota emisivity 0,95 môže byť vhodná pre mnohé aplikácie, ako napr. lakované povrchy. Hodnoty emisivity pre bežné materiály sú uvedené na *Obrázku č. 8*.

Materiál	Emisivita	Materiál	Emisivita
Hliník, leštený	0,05	Lak	0,95
Asfalt	0,88	Papier, biely	0,90
Tehla	0,90	Sadra, drsná	0,89
Betón, drsný	0,91	Guma	0,93
Meď, leštená	0,04	Oceľ, pozinkovaná	0,28
Sklo	0,95	Oceľ, zoxidovaná	0,88
Vápenec	0,92	Voda	0,96
Mramor, leštený	0,90		

Obrázok č. 8 – Hodnoty emisivity bežných materiálov

Teplota – Hoci prístroj micro IR-200 kompenzuje odchýlku spôsobenú okolitou teplotou, zmeny okolitej a nameranej teploty môžu znížiť presnosť merania. Pri výraznej zmene okolitej teploty (viac ako 30 °F alebo 17 °C) počkajte pätnásť minút, aby sa prístroj micro IR-200 prispôbil zmeneným podmienkam. Tak dosiahnete najvyššiu presnosť merania.

Prekážky – Presnosť merania môže znížiť para, prach, dym a iné prekážky, ako napríklad sklo alebo plast, ktoré sa nachádzajú medzi mikro IR-200 a meraným povrchom. Takéto prekážky clonia optické členy prístroja a v dôsledku toho je meranie nesprávne (prístroj zmeria teplotu skla a nie teplotu povrchu). V prítomnosti takýchto prekážok prístroj nepoužívajte.

- Uistite sa, že sa vykonala predpísaná kontrola všetkých častí prístroja.

Prevádzka

Zapínanie a vypínanie (Meranie)

- Uchopte rukoväť micro IR-200 a prístroj nasmerujte na meraný povrch. Prístroj držte v dostatočnej vzdialenosti od elektrických, pohyblivých alebo horúcich častí. Pred zapnutím prístroja sa uistite, že je namierený do bezpečného smeru mimo iných osôb v blízkosti prístroja.

- Zapnite prístroj micro IR-200 ON stlačením spínača. Po stlačení spínača sa zapne ikona SCAN (Skenovanie) a micro IR-200 bude neustále aktualizovať zobrazenú hodnotu aktuálnej teploty a zobrazí tiež maximálnu hodnotu teploty od zapnutia prístroja.

Prístroj micro IR-200 možno pomaly presúvať nad povrchom a tak lokalizovať horúce alebo chladné oblasti. *Pozrite si časti Alarm vysokej teploty a Alarm nízkej teploty*, kde sú uvedené informácie o nastaveniach alarmov vysokej a nízkej teploty.

- Po uvoľnení spínača sa objaví ikona HOLD (Podržat). Po siedmich sekundách sa prístroj micro IR-200 automaticky vypne, pokiaľ nie je zapnutý režim nepretržitého merania.

Ovládacie prvky micro IR-200



Obrázok č. 9 – Tlačidlá/Displej prístroja micro IR-200

Režim nepretržitého merania (Skenovania)

Prístroj mikro IR-200 možno zaistiť v zapnutej polohe a tak umožniť meranie bez držania spínača. Pred zapnutím prístroja sa uistíte, že je namierený do bezpečného smeru mimo iných osôb v blízkosti prístroja. Zapnite prístroj mikro IR-200 stlačením a podržaním spínača. Počas držania spínača stlačte a uvoľnite tlačidlo Menu (Ponuka). Zapnú sa ikony SCAN (Skenovať) a Lock (Zaistiť). Uvoľnite spínač a prístroj mikro IR-200 bude nepretržite aktualizovať údaj o nameranej teplote až do okamihu opätovného stlačenia a uvoľnenia spínača.

Zapnutý/Vypnutý laser

V prípade potreby možno vypnúť laser, ktorý sa používa na zacielenie a tak šetriť batériu. V takom prípade postupujte pri zacielení prístroja mikro IR-200 obzvlášť starostlivo, aby ste získali kvalitné hodnoty merania. Ak chcete zapnúť alebo vypnúť laser, počas držania spínača stlačte a uvoľnite tlačidlo lasera. Po zapnutí lasera sa zobrazí ikona Laser zapnutý.

Podsvietenie

Ak sa prístroj mikro IR-200 používa v slabo osvetlenom priestore, možno zapnúť podsvietenie displeja. Ak chcete zapnúť a vypnúť podsvietenie na zapnutom prístroji, stlačte tlačidlo podsvietenia.

Používanie tlačidla Menu (Ponuka)

Ak po stlačení spínača stlačíte a uvoľníte tlačidlo ponuky, na displeji sa budú cyklicky striedať nasledujúce nastavenia v tomto poradí: Alarm vysokej teploty ON/OFF (Zapnutý/Vypnutý), nastavenie alarmu vysokej teploty, alarm nízkej teploty ON/OFF (Zapnutý/Vypnutý), nastavenie alarmu nízkej teploty, zobrazované jednotky teploty, emisivita.

Alarm vysokej teploty

Alarm vysokej teploty vydá zvukový signál, keď aktuálna teplota presiahne nastavený limit. Alarm vysokej teploty zapnete stlačením a uvoľnením spínača a následným stlačením a uvoľnením tlačidla Menu (Ponuka). Potom začne blikať ikona alarmu vysokej teploty. Pomocou tlačidiel so šípkami nahor/nadol zapnite/vypnite funkciu alarmu vysokej teploty, čo sa zobrazí v riadku aktuálnej teploty. Stlačte a znovu uvoľníte tlačidlo Menu (Ponuka). Ikona alarmu vysokej teploty bude naďalej blikať a zobrazí sa teplota, pri ktorej sa spustí alarm vysokej teploty. Pomocou tlačidiel so šípkami nahor/nadol zmeňte teplotu, pri ktorej sa spustí alarm vysokej teploty. Stlačením spínača ukončíte režim nastavenia a výber uložte do pamäte prístroja.

Alarm nízkej teploty

Alarm nízkej teploty vydá zvukový signál, keď aktuálna teplota klesne pod nastavený limit. Alarm nízkej teploty zapnete stlačením a uvoľnením spínača a následným stlačením a uvoľnením tlačidla Menu (Ponuka). Potom začne blikať ikona alarmu nízkej teploty. Pomocou tlačidiel so šípkami nahor/nadol zapnite/vypnite funkciu alarmu nízkej teploty, čo sa zobrazí v riadku aktuálnej teploty. Stlačte a znovu uvoľníte tlačidlo Menu (Ponuka). Ikona alarmu nízkej teploty bude naďalej blikať a zobrazí sa teplota, pri ktorej sa spustí alarm nízkej teploty. Pomocou tlačidiel so šípkami nahor/nadol zmeňte teplotu, pri ktorej sa spustí alarm nízkej teploty. Stlačením spínača ukončíte režim nastavenia a výber uložte do pamäte prístroja.

Zobrazované jednotky teploty - °C/°F

Prístroj mikro IR-200 môže zobrazovať teploty v stupňoch Celzia (C) alebo Fahrenheita (F). Zobrazované jednotky teploty zmeníte stlačením a uvoľnením spínača a následným stlačením a uvoľnením tlačidla Menu (Ponuka). Potom začne blikať jednotka teploty na displeji. Pomocou tlačidiel so šípkami nahor/nadol podľa potreby zmeňte hodnotu C alebo F. Stlačením spínača ukončíte režim nastavenia a výber uložte do pamäte prístroja.

Emisivita

Hodnotu emisivity je možné nastaviť od 0,10 do 1,00. Pozrite si časť Nastavenie na určenie vhodnej hodnoty pre vaše použitie. Ak chcete túto hodnotu nastaviť, stlačte a uvoľnite spínač a a následne stláčajte a uvoľňujte tlačidlo ponuky, kým na displeji nezačne blikať hodnota emisivity. Pomocou tlačidiel so šípkami nahor/nadol zvýšte alebo znížte hodnotu emisivity. Stlačením spínača ukončíte režim nastavenia a výber uložte do pamäte prístroja.

Čistenie

Bezdotykový infračervený teplomer RIDGID micro IR-200 neponárajte do vody. Nečistoty utrite vlhkou jemnou handričkou. Nepoužívajte agresívne čistiace prostriedky a roztoky. S prístrojom manipulujte tak ako s ďalekohľadom alebo fotoaparátom.

Skladovanie

Infračervený teplomer RIDGID micro IR-200 sa musí uchovávať v suchých a bezpečných priestoroch s teplotami medzi 14 °F (-10 °C) a 140 °F (60 °C).

Prístroj skladujte v uzamknutom priestore mimo dosahu detí a osôb, ktoré nie sú oboznámené s používaním prístroja micro IR-200.

Pred dlhodobým uskladnením alebo prepravou prístroja batérie vyberte, čím predídete ich vytečeniu.

Servis a opravy

⚠ VÝSTRAHA

Nesprávny servis alebo opravy môžu spôsobiť, že prevádzka bezdotykového infračerveného teplomera RIDGID micro IR-200 bude nebezpečná.

Servis a opravy zariadenia micro IR-200 smie vykonávať iba nezávislé autorizované servisné stredisko RIDGID.

Pre informácie o najbližšom nezávislom autorizovanom servisnom stredisku RIDGID alebo v prípade akýchkoľvek otázok o servise a opravách:

- Obráťte sa na miestneho distribútora výrobkov RIDGID.
- Navštívte stránku RIDGID.com na vyhľadanie vášho miestneho kontaktného bodu spoločnosti Ridge Tool.
- Spojte sa s oddelením technických služieb spoločnosti Ridge Tool prostredníctvom e-mailu rttechservices@emerson.com alebo (v USA a Kanade) volajte (800) 519-3456.

Likvidácia

Časti bezdotykového infračerveného teplomera RIDGID micro IR-200 obsahujú hodnotné materiály, ktoré možno recyklovať. Vo vašom okolí môžete nájsť spoločnosti, ktoré sa špecializujú na recykláciu. Zlikvidujte všetky komponenty v súlade so všetkými príslušnými predpismi. Ak potrebujete viac informácií, obráťte sa na váš miestny úrad, ktorý riadi odpadové hospodárstvo.



V krajinách ES: Nelikvidujte elektrické zariadenia spolu s domácim odpadom!

V súlade s Európskou smernicou 2012/19/EU o odpade z elektrických a elektronických zariadení a jej implementáciou do národných legislatív musia byť elektrické zariadenia, ktoré nie je možné ďalej používať, zozbierané a likvidované oddelene, environmentálne prijateľným spôsobom.

Likvidácia batérií

V krajinách ES: Poškodené alebo použité batérie sa musia recyklovať v súlade so smernicou 2012/19/EU.

micro IR-200

micro IR-200 Termometru cu infraroșii fără contact



AVERTIZARE

Citiți cu atenție acest manual de exploatare înainte de a utiliza acest instrument. Neînțelegerea și nerespectarea conținutului acestui manual poate cauza electrocutări, incendii și/sau accidentări grave.

Termometru cu infraroșii fără contact micro IR-200

Înregistrați seria de mai jos și rețineți seria produsului care se află pe placa de identificare.

Seria

--	--

Cuprins

Formular de înregistrare pentru seria mașinii	195
Simboluri de siguranță	197
Reguli generale de siguranță	198
Siguranța în zona de lucru	198
Siguranța electrică	198
Măsuri de protecție individuală	198
Utilizarea și îngrijirea echipamentului	198
Service	199
Informații specifice privind siguranța	199
Siguranța termometrului cu infraroșii	199
Descriere, specificații și echipament standard	199
Descriere	199
Specificații	200
Componențe	201
Pictogramele ecranului cu cristale lichide	201
Echipament standard	201
Clasificarea laser	202
Declarația FCC	202
Compatibilitatea electromagnetică (EMC)	202
Înlocuirea/instalarea bateriilor	203
Verificarea înainte de utilizare	203
Configurarea și exploatarea	204
Configurare	204
Exploatare	205
Pornirea și oprirea (Efectuarea măsurărilor)	205
Comenzile aparatului micro IR-200	205
Modul de măsurare continuă (Scanare)	206
Laser activat/Dezactivat	206
Lumina de fundal	206

Utilizarea butonului de meniu	206
Alarma de nivel ridicat	206
Alarma de nivel scăzut	206
Unitățile de afișare a temperaturii - °C/°F	206
Putere de emisie	207
Curățarea	207
Păstrarea	207
Service și remediere	207
Dezafectare	207
Dezafectarea bateriei	207
Declarație CE de conformitate	Copertă interioară spate
Garanție pe viață	Coperta din spate

*Traducere a instrucțiunilor originale

Simboluri de siguranță

În acest manual de exploatare și pe produs, simbolurile de siguranță și cuvintele de semnalare sunt utilizate pentru a comunica informații importante privind siguranța. Acest capitol este prevăzut pentru a înțelege mai bine aceste cuvinte și simboluri de semnalare.



Acesta este simbolul de avertizare privind siguranța. Este utilizat pentru a vă avertiza cu privire la posibilele pericole de accidentare. Respectați toate mesajele de siguranță, care urmează după acest simbol pentru a evita posibilele accidentări sau decesul.

▲ PERICOL

Simbolul PERICOL indică o situație periculoasă care, dacă nu este evitată, va duce la deces sau la accidentări grave.

▲ AVERTIZARE

AVERTIZARE indică o situație periculoasă care, dacă nu este evitată, poate cauza deces sau accidentări grave.

▲ PRECAUȚIE

PRECAUȚIE indică o situație periculoasă care, dacă nu este evitată, ar putea cauza accidentări minore sau moderate.

NOTĂ

NOTĂ indică informații referitoare la protejarea proprietății.



Acest simbol înseamnă că trebuie să citiți cu atenție manualul operatorului înainte de a utiliza echipamentul. Manualul operatorului conține informații importante referitoare la exploatarea sigură și corespunzătoare a echipamentului.



Acest simbol înseamnă că dispozitivul conține un laser de clasa 2.



Acest simbol înseamnă că nu trebuie privit în raza laser.



Acest simbol avertizează cu privire la prezența și pericolul prezentat de o rază laser.

Reguli generale de siguranță

▲ AVERTIZARE

Citiți toate avertizările și instrucțiunile privind siguranța. Nerespectarea avertizărilor și instrucțiunilor poate avea ca rezultat electrocutarea, incendiul și/sau răniiri grave.

PĂSTRAȚI ACESTE INSTRUCȚIUNI!

Declarația de conformitate CE (890-011-320.10) va însoți acest manual ca o broșură separată când e cazul.

Siguranța în zona de lucru

- **Mențineți zona de lucru curată și bine iluminată.** Zonele înghețate sau întunecoase favorizează accidentele.
- **Nu exploatați echipamentul în atmosfere explozive, precum în prezența lichidelor, gazelor sau prafurilor inflamabile.** Echipamentul poate genera scânteii care pot aprinde praful sau vaporii.
- **Nu permiteți copiilor și celor din jur să se apropie în timpul exploatarea echipamentului.** Distragerea atenției poate cauza pierderea controlului.

Siguranța electrică

- **Evitați contactul corpului cu suprafețe legate la pământ sau la masă precum țevile, caloriferele, plitele și frigidererele.** Există un risc sporit de electrocutare în cazul în care corpul dvs. este în contact cu pământul sau cu împământarea.
- **Nu expuneți echipamentul la ploaie sau umiditate.** Pătrunderea apei în carcasă mărește riscul de electrocutare.

Măsurile de protecție individuală

- **Fiți atent, utilizați-vă la ceea ce faceți și folosiți bunul simț când exploatați echipamentul. Nu utilizați echipamentul când sunteți obosit sau sub influența drogurilor, alcoolului sau medica-**

mentelor. Un moment de neatenție în timp ce exploatați echipamentul poate avea drept rezultat accidentări grave.

- **Utilizați echipamente individuale de protecție.** Întotdeauna purtați echipament de protecție pentru. Echipamentul de protecție, precum masca pentru praf, pantofii de protecție antiderapanți, cască sau protectoarele pentru auz, folosite în condiții adecvate, reduce riscul de accidente.
- **Nu vă dezechilibrați. Mențineți permanent sprijinul adecvat și echilibrul.** Aceasta asigură un control mai bun al echipamentului electric în situații neprevăzute.

Utilizarea și îngrijirea echipamentului

- **Nu forțați echipamentul. Utilizați echipamentul corect pentru aplicația dvs.** Echipamentul corect va executa mai bine și mai sigur lucrarea în condițiile pentru care este proiectat.
- **Nu folosiți echipamentul dacă întrerupătorul nu cuplează sau decuplează.** Orice instrument care nu poate fi controlat cu întrerupătorul este periculos și trebuie reparat.
- **Debransați bateriile de echipament înainte de a efectua orice reglaje, de a schimba accesorii sau de depozitare.** Astfel de măsuri preventive de siguranță reduc riscurile de accidentare.
- **Păstrați echipamentul ferit de accesul copiilor și nu permiteți persoanelor nefamiliarizate cu echipamentul sau cu aceste instrucțiuni să exploateze echipamentul.** Echipamentul poate fi periculos în mâinile utilizatorilor neinstruiți.
- **Întrețineți echipamentul.** Depistați nealinierea sau blocarea pieselor în mișcare, piesele lipsă, deteriorarea componentelor și orice alte stări care ar putea afecta exploatarea echipamentului. În caz de deteriorare, dați la reparat echipamentul înainte de utilizare. Numeroase accidente sunt cauzate de echipamente întreținute necorespunzător.
- **Utilizați echipamentul și accesoriile în conformitate cu aceste instrucțiuni, ținând cont de condițiile de lucru și de lucrarea ce trebuie efectuată.** Utilizarea echipamentului pentru operațiuni diferite de cele pentru care este destinat poate duce la situații periculoase.

- **Utilizați numai accesoriile recomandate de fabricant pentru echipamentul dvs.** Accesoriile adecvate pentru un echipament pot deveni periculoase când sunt utilizate cu un alt echipament.
- **Mențineți mânerul uscat și curat, lipsit de ulei și vaselină.** Permite un control mai bun al echipamentului.

Service

- **Încredințați pentru deservire echipamentul unei persoane calificate pentru reparații, utilizând numai piese de schimb identice.** Aceasta va asigura menținerea siguranței în exploatare a echipamentului.

Informații specifice privind siguranța

▲ AVERTIZARE

Acest capitol conține informații importante despre siguranță, specifice acestui echipament.

Citiți cu atenție aceste atenționări înainte de a utiliza Termometrul cu infraroșii fără contact micro IR-200 pentru a reduce riscul de incendiu sau de alte tipuri de accidentări grave.

PĂSTRAȚI ACESTE INSTRUCȚIUNI!

Păstrați acest manual cu instrumentul pentru a fi utilizat de operator.

Siguranța termometrului cu infraroșii

- **Nu priviți în raza laser.** Privitul în raza laser poate fi periculos pentru ochi. Nu priviți la raza laser cu instrumente optice (precum binoculuri sau telescoape).
- **Nu îndreptați raza laser spre alți oameni.** Asigurați-vă că laserul este îndreptat peste sau sub nivelul ochilor. Razele laser pot fi periculoase pentru ochi.
- **Nu folosiți în niciun fel acest dispozitiv pentru inspecție personală sau utilizare medicală.** Acesta nu este un dispozitiv medical. Acest lucru ar putea cauza răni.

- **Luați măsuri corespunzătoare de precauție când lucrați lângă componente electrice, în mișcare sau fierbinți.** Contactul poate cauza electrocutare, prindere, arsuri și alte accidentări grave. Poate fi necesar echipament de protecție.

▲ PRECAUȚIE Utilizarea altor comenzi, reglaje sau proceduri de performanță decât cele specificate aici poate cauza expunere periculoasă la radiații.

Dacă aveți întrebări privind acest produs RIDGID®:

- Contactați distribuitorul local RIDGID.
- Vizitați RIDGID.com pentru a găsi punctul local de contact RIDGID.
- Contactați departamentul tehnic de service Ridge Tool Technical Service Department la rtctechservices@emerson.com, sau în SUA și Canada apelați (800) 519-3456.

Descriere, specificații și echipament standard

Descriere

Termometrul cu infraroșii fără contact RIDGID® micro IR-200 asigură citiri simple, rapide și precise ale temperaturii de suprafață la apăsarea unui buton. Apăsăți simplu trăgaciul și îndreptați laserele duble ultraprecise de clasa II spre suprafața de măsurat. Aparatul micro IR-200 asigură o măsurare imediată a temperaturii pe un ecran cu cristale lichide clar, cu lumină de fundal, ușor de citit. În plus față de numeroase alte utilizări, acest aparat robust, compact permite profesionistului să diagnosticheze problemele de încălzire și ventilare, să monitorizeze preventiv motoarele și sistemele electrice, să depaneze oale de condens și să controleze rapid, fără contact, siguranțele sau disjunctoarele pentru supraincălzire.

Aparatul micro IR-200 utilizează componente optice pentru a sesiza energia emisă, reflectată și transmisă, care este colectată și focalizată pe un detector. Sistemul electronic al unității convertește informațiile într-o citire de temperatură, afișată . Laserele sunt utilizate pentru a ajuta la vizare.

Specificații

Domeniu de temperaturi.....	-58 °F la 1472 °F (-50 °C la 1200 °C)
Raportul distanță/spot.....	30 la 1
Precizia măsurării.....	-58 °F ~68 °F (50 °C ~20 °C): ±4.5 °F (2,5 °C) 68 °F ~1472 °F (20 °C ~800 °C) ±1,0% sau ±1.8 °F (1,0 °C)
Reproductibilitate.....	-58 °F ~68 °F (50 °C ~20 °C): ±2.3°F (1,3 °C) 68 °F ~1472 °F (20 °C ~800 °C) ±0,5% sau ±0.9 °F (0,5 °C)
Timp de reacție.....	150 ms
Răspuns spectral.....	8~14 μm
Putere de emisie.....	Reglabil, 0,10 - 1,00
Indicație de depășire a domeniului.....	Ecranul cu cristale lichide va indica "----"
Diodă laser.....	Putere < 1 mW, lungime de undă: 630~670 nm, produs laser de clasa 2
Afișajul temperaturii.....	Temperatură curentă, Temperatură MAX
Unități de măsură.....	Fahrenheit, Celsius
Temperatura de exploatare.....	32 °F la 122 °F (0 °C la 50 °C)
Temperatura de depozitare.....	14 °F la 140 °F (-10 °C la 60 °C)
Rezoluție afișaj.....	0.1 °F (0,1 °C)
Umiditate relativă.....	UR 10%~90% la funcționare, UR<80% la depozitare
Baterii.....	Baterie de 9 V(1), NEDA 1604A sau IEC 6LR61, sau echivalentă
Clasificare IP.....	IP54
Greutate.....	0.6 lbs (0,3 kg)

Dotări

- Funcția de detectare rapidă
- Vizare cu laser dublu de clasa II
- Reținerea automată a datelor
- Afișări de temperaturi MAX
- Măsurători precise fără contact
- Domeniu automat de selecție și rezoluția afișajului de 0.1°F (0,1°C)
- Ecran cu cristale lichide cu lumină de fundal
- Opritör de trăgaci
- Setare de alarme de nivel ridicat și scăzut
- Putere de emisie reglabilă



Figura 1 – Termometrul cu infraroșii fără contact micro IR-200

Componente



Figura 2 – Componentele micro IR-200



Pictogramele ecranului cu cristale lichide

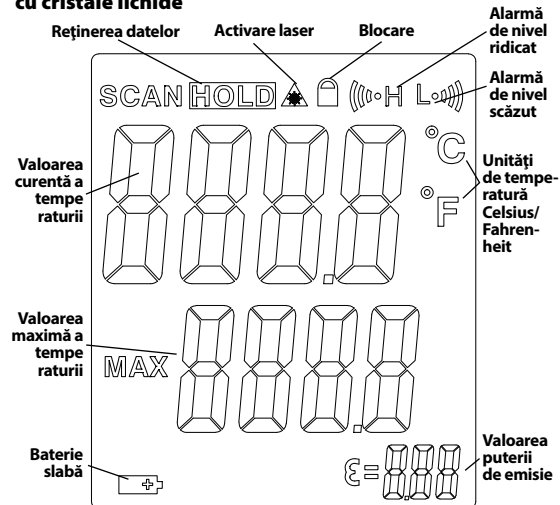


Figura 3 – Pictogramele afișajului aparatului micro IR-200

Echiptament standard

- micro IR-200
- Baterie 1 x 9 V
- Casetă pentru transport
- Manual de exploatare

NOTĂ Acest echipament este utilizat pentru a efectua măsurători de temperatură. Utilizarea incorectă sau aplicarea necorespunzătoare poate cauza măsurători incorecte sau inexacte. Selectarea metodelor corespunzătoare de măsurare în funcție de condiții este răspunderea utilizatorului.

Clasificarea laser



Aparatul RIDGID micro IR-200 generează o rază laser vizibilă care este emisă din partea frontală a dispozitivului.

Dispozitivul se încadrează în clasa 2 de lasere în conformitate cu: IEC 60825-1:2007

Declarația FCC

Acest echipament a fost testat și s-a constatat că se încadrează în limitele unui dispozitiv digital de clasa B în conformitate cu partea 15 a Reglementărilor FCC. Aceste limite sunt menite să asigure o protecție rezonabilă împotriva interferenței nocive într-o instalație rezidențială.

Acest echipament generează, utilizează și poate radia energie de frecvență radio și, dacă nu este instalat și utilizat în conformitate cu instrucțiunile, poate cauza o interferență nocivă pentru comunicațiile radio.

Totuși, nu există garanții că într-o anumită instalație nu vor surveni interferențe.

Dacă acest echipament cauzează o interferență supărătoare în recepția radio sau de televiziune, ce poate fi determinată prin decuplarea și cuplarea echipamentului, utilizatorul este încurajat să încerce să corecteze interferența prin una sau mai multe din următoarele măsuri:

- Reorientarea sau mutarea antenei receptoare.
- Mărirea distanței dintre echipament și receptor.
- Solicitarea asistenței distribuitorului sau a unui tehnician radio/TV cu experiență.

Compatibilitatea electromagnetică (EMC)

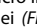
Termenul de compatibilitate electromagnetică înseamnă capacitatea unui produs de a funcționa fără probleme într-un mediu unde sunt prezente radiații și descărcări electromagnetice și electrostatice, și fără a cauza interferențe electromagnetice altor echipamente.

NOTĂ Aparatul RIDGID micro IR-200 se conformează tuturor standardelor ECM aplicabile. Totuși, posibilitatea ca acesta să cauzeze interferențe în alte dispozitive nu poate fi exclusă.



Figura 4 – Scoaterea compartimentului bateriei

Înlocuirea/instalarea bateriilor

Aparatul micro IR-200 este furnizat fără baterie instalată. Dacă indicatorul bateriei (Figura 3):  afișează, bateria trebuie înlocuită. Scoateți bateriile înainte de a depozita pe termen lung pentru a evita scurgerile din baterii.

1. Apăsați clemele bateriei și scoateți compartimentul bateriei din termometru (Figura 4). Dacă e necesar, scoateți bateria.
2. Instalați o baterie alcalină de 9 V (6LR61), respectând polaritatea corectă indicată pe compartimentul bateriei.



Figura 5 – Caseta bateriei și marcajul polarității

3. Apăsați clemele și introduceți ferm în termometru. Caseta va intra numai într-un singur mod. Nu forțați. Confirmați fixarea.

Verificarea înainte de utilizare

AVERTIZARE

Înainte fiecărei utilizări, inspectați termometrul cu infraroșii și corectați toate problemele pentru a reduce riscul de accidentare sau măsurătorile incorecte.

Nu priviți în raza laser. Privitul în raza laser poate fi periculos pentru ochi.

1. Îndepărtați uleiul, unsoarea sau murdăria de pe echipament. Aceasta ajută verificarea.
2. Verificați dacă aparatul micro IR-200 are vreo piesă deteriorată, uzată, lipsă, nealinată sau blocată sau orice situații care ar putea împiedica funcționarea în condiții normale de siguranță.
3. Controlați ca etichetele de avertizare să fie prezente, bine prinse și lizibile (Figura 6).
4. Dacă în timpul verificării descoperiți vreo problemă, nu utilizați termometrul cu infraroșii până când acesta nu a fost reparat corespunzător.
5. În conformitate cu instrucțiunile de exploatare, porniți termometrul cu infraroșii, efectuați o măsurătoare și confirmați aceeași măsurătoare cu un alt instrument (termometru cu contact etc.). În cazul în care corelația dintre măsurători nu este acceptabilă, nu folosiți termometrul cu infraroșii până nu este reparat corespunzător.



Figura 6 – Etichete de avertizare



Configurarea și exploatarea

⚠ AVERTIZARE



Nu priviți în raza laser. Privitul în raza laser poate fi periculos pentru ochi. Nu priviți la raza laser cu instrumente optice (precum binocluri sau telescoape).

Nu îndreptați raza laser spre alți oameni. Asigurați-vă că laserul este îndreptat peste sau sub nivelul ochilor. Razele laser pot fi periculoase pentru ochi.

Luați măsuri corespunzătoare de precauție când lucrați lângă componente electrice, în mișcare sau fierbinți. Contactul poate cauza electrocutare, prindere, arsuri și alte accidentări grave. Poate fi necesar echipament de protecție.

Configurați și exploatați termometrul cu infraroșii conform acestor proceduri pentru a reduce riscul de accidentare sau măsurătorile incorecte.

Configurare

1. Căutați o zonă de lucru corespunzătoare conform indicațiilor din *capitolul de Siguranță generală*.
2. Inspectați obiectul pe care se efectuează măsurătoarea și confirmați că aveți echipamentul corect pentru aplicație. *Consultați capitolul Specificații* pentru raza de măsurare, precizie și alte informații.

Există o diversitate de factori care pot afecta precizia aparatului micro IR-200, incluzând:

Câmpul vizual – Aparatul micro IR-200 utilizează două lasere pentru a proiecta puncte pe fiecare parte a suprafeței de măsurat. Aceste puncte indică diametrul aproximativ al zonei ("spotul") a că-

rei temperatură este măsurată. Odată ce micro IR-200 se îndepărtează (D) de suprafață, crește acea zonă și dimensiunea spotului (S). Suprafața este aproximativ $\frac{1}{30}$ din distanța până la planul suprafeței. (Vezi figura 7.)

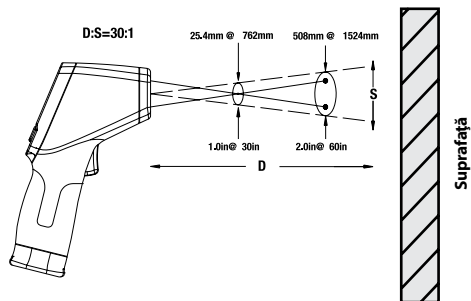


Figura 7 – Câmpul vizual

Spotul trebuie să fie întotdeauna mai mic decât suprafața. Cu cât este mai mică suprafața, cu atât mai aproape trebuie să fie micro IR-200 de suprafață. Pentru cea mai bună precizie, suprafața trebuie să fie de două ori mai mare decât spotul.

Putere de emisie – Puterea de emisie este un termen folosit pentru a descrie caracteristicile de emisie energie ale materialelor și are o valoare între 0 și 1. Aparatul micro IR-200 permite reglarea valorii puterii de emisie între 0,10 și 1,00 pentru calculul temperaturilor. Dacă nu este cunoscută caracteristica de emisie a unei suprafețe, o putere de emisie de 0,95 poate fi adecvată pentru multe aplicații, cum sunt suprafețele vopsite. Valorile puterii de emisie pentru materialele uzuale sunt incluse în *Figura 8*.

Material	Putere de emisie	Material	Putere de emisie
Aluminiu, lustruit	0,05	Vopsea	0,95
Asfalt	0,88	Hârtie, albă	0,90
Cărămidă	0,90	Ipsos, rugos	0,89
Beton, rugos	0,91	Cauciuc	0,93
Cupru, lustruit	0,04	Oțel, galvanizat	0,28
Sticlă	0,95	Oțel, oxidat	0,88
Calcar	0,92	Apă	0,96
Marmură, lustruită	0,90		

Figura 8 – Valorile puterii de emisie pentru materiale uzuale

Temperatura – Deși micro IR-200 compensează variația datorată temperaturii mediului, modificările mari ale temperaturii mediului și ale temperaturilor măsurate pot diminua precizia. Când se produc schimbări semnificative ale temperaturii mediului (mai mult de 30° F sau 17 °C), așteptați cincisprezece minute pentru ca micro IR-200 să se regleze la cea mai bună precizie.

Obstacole – Aburul, praful, fumul și alte obstacole precum sticla sau materialele plastice aflate între micro IR-200 și suprafața de măsurat pot diminua precizia. Acestea obturează unitatea optică sau generează citiri false (măsoară temperatura sticlei în loc de cea a suprafeței). Nu-l folosiți când sunt prezente obstacole.

- Asigurați-vă că întregul echipament a fost verificat corespunzător.

Exploatare

Pornirea și oprirea (Efectuarea măsurătorilor)

- Țineți aparatul micro IR-200 de mâner și îndreptați-l spre suprafața de măsurat. Feriți-l de la orice componente electrice, în mișcare sau fierbinți. Asigurați-vă că unitatea este îndreptată într-o direcție nepericuloasă înainte de pornire.
- Apăsăți trăgaciul pentru a porni aparatul micro IR-200. Când trăgaciul este apăsat, se va cupla pictograma SCAN, și micro IR-200 va actualiza continuu valoarea afișată a temperaturii curente și va afișa valoarea maximă a temperaturii din momentul pornirii unității.

Aparatul micro IR-200 poate fi deplasat încet peste suprafață pentru a localiza zonele fierbinți sau reci. *Vezi capitolele Alarma de nivel ridicat și Alarma de nivel scăzut* pentru informații privind setările alarmei de nivel ridicat și scăzut.

- Când este eliberat trăgaciul, pictograma HOLD va fi activată. Aparatul micro IR-200 se va opri automat după șapte secunde dacă unitatea nu este în modul de măsurare continuă.

Comenzile aparatului micro IR-200



Figura 9 – Afișajul/butoanele aparatului micro IR-200

Modul de măsurare continuă (Scanare)

Aparatul micro IR-200 poate fi blocat pe pornit pentru a permite măsurarea fără a ține trăgaciul apăsat. Asigurați-vă că unitatea este îndreptată într-o direcție nepericuloasă înainte de pornire. Porniți aparatul micro IR-200 apăsând și ținând apăsat trăgaciul. Ținând trăgaciul apăsat, apăsați și eliberați butonul de meniu. Pictogramele SCAN și de blocare vor fi activate. Eliberați trăgaciul și micro IR-200 va continua să actualizeze temperatura măsurată până când trăgaciul este apăsat și eliberat din nou.

Laser activat/Dezactivat

Dacă e necesar, laserele utilizate pentru vizare pot fi oprite pentru a prelungi durata bateriei. Dacă se efectuează acest lucru, trebuie acordată atenție suplimentară la vizarea cu micro IR-200 pentru a asigura citiri corecte. Pentru a activa sau a dezactiva, ținând trăgaciul apăsat, apăsați și eliberați butonul de activare a laserului. Pictograma de activare a laserului va fi activată când laserul este activat.

Lumina de fundal

Pentru utilizarea în zone cu iluminare redusă, micro IR-200 este dotat cu lumină de fundal pentru ecran. Pentru a cupla și decupla lumina de fundal, cu unitatea pornită, apăsați butonul luminii de fundal.

Utilizarea butonului de meniu

După apăsarea trăgaciului, apăsarea și eliberarea butonului de meniu vă va permite să parcurgeți următoarele setări în această ordine: cuplarea/decuplarea alarmei de nivel ridicat, setarea temperaturii de alarmă de nivel ridicat, cuplarea/decuplarea alarmei de nivel scăzut, setarea temperaturii de nivel scăzut, unitățile de afișare a temperaturii, puterea de emisie.

Alarma de nivel ridicat

Alarma de nivel ridicat va emite un semnal sonor când temperatura curentă depășește o limită predefinită. Pentru a cupla alarma de nivel ridicat, apăsați și eliberați trăgaciul și apoi apăsați și eliberați butonul de meniu până ce pictograma alarmei de nivel înalt clipește. Utilizați butoanele sus/jos pentru a cupla/decupla alarma de nivel ridicat așa cum este indicat pe linia valorii curente a temperaturii. Apăsați și eliberați butonul de meniu din nou. Pictograma alarmei de nivel ridicat va continua să clipească și va apare temperatura de alarmă de nivel ridicat. Utilizați butoanele sus/jos pentru a modifica temperatura de alarmă de nivel ridicat după dorință. Apăsați trăgaciul pentru a ieși din modul de setări și salvați-vă selecția.

Alarma de nivel scăzut

Alarma de nivel scăzut va emite un semnal sonor când temperatura curentă scade sub o limită predefinită. Pentru a cupla alarma de nivel scăzut, apăsați și eliberați trăgaciul și apoi apăsați și eliberați butonul de meniu până ce pictograma alarmei de nivel scăzut clipește. Utilizați butoanele sus/jos pentru a cupla/decupla alarma de nivel scăzut așa cum este indicat pe linia valorii curente a temperaturii. Apăsați și eliberați butonul de meniu din nou. Pictograma alarmei de nivel scăzut va continua să clipească și va apare temperatura de alarmă de nivel scăzut. Utilizați butoanele sus/jos pentru a modifica temperatura de alarmă de nivel scăzut după dorință. Apăsați trăgaciul pentru a ieși din modul de setări și salvați-vă selecția.

Unitățile de afișare a temperaturii - °C/°F

Aparatul micro IR-200 poate afișa temperaturile în grade Celsius (C) sau Fahrenheit (F). Pentru a modifica unitatea afișată, apăsați și eliberați trăgaciul, și apoi apăsați și eliberați butonul de meniu până când unitatea de temperatură de pe ecran clipește. Utilizați butoanele sus/jos pentru a comuta între C sau F după dorință. Apăsați trăgaciul pentru a ieși din modul de setări și salvați-vă selecția.

Putere de emisie

Valoarea puterii de emisie poate fi setată de la 0,10 până la 1,00. Consultați secțiunea Inițializare pentru a determina o valoare adecvată pentru aplicația dumneavoastră. Pentru a regla această valoare, apăsați și eliberați trăgaciul, și apoi apăsați și eliberați butonul de meniu până când valoarea puterii de emisie de pe ecran clipește. Utilizați butoanele sus/jos pentru mărirea sau micșorarea valorii puterii de emisie. Apăsați trăgaciul pentru a ieși din modul de setări și salvați-vă selecția.

Curățarea

Nu imersați în apă Termometru cu infraroșii fără contact RIDGID micro IR-200. Ștergeți praful cu o cârpă umedă moale. Nu folosiți agenți sau soluții de curățare agresive. Tratați aparatul la fel cum ați proceda cu un telescop sau cu un aparat de fotografiat.

Păstrarea

Termometrul cu infraroșii fără contact RIDGID micro IR-200 trebuie păstrat într-un loc uscat, sigur, între 14 °F (-10 °C) și 140 °F (60 °C).

Păstrați instrumentul într-un loc închis, ferit de accesul copiilor sau al persoanelor nefamiliarizate cu utilizarea aparatului micro IR-200.

Scoateți bateria înainte de orice perioadă îndelungată de depozitare sau de transport pentru a evita scurgerile din baterii.

Service și remediere

⚠ AVERTIZARE

Deservirea sau reparația necorespunzătoare poate face nesigură exploatarea termometruului cu infraroșii fără contact RIDGID micro IR-200.

Operațiile de service și reparare ale aparatului micro IR-200 trebuie executate de către un centru de service independent autorizat RIDGID.

Pentru informații privind cel mai apropiat centru de service independent autorizat RIDGID sau pentru orice întrebări referitoare la lucrările de service sau reparații:

- Contactați distribuitorul local RIDGID.
- Vizitați RIDGID.com pentru a vă găsi reprezentantul Ridge Tool local.
- Contactați departamentul tehnic de service Ridge Tool Technical Service Department la rtctechservices@emerson.com, sau în SUA și Canada apelați (800) 519-3456.

Dezafectare

Anumite componente ale termometruului cu infraroșii fără contact RIDGID micro IR-200 conțin materiale valoroase și pot fi reciclate. Există companii specializate în reciclare care pot avea reprezentanțe locale. Dezafectați componentele în conformitate cu toate reglementările în vigoare. Contactați autoritățile locale de gestionare a deșeurilor pentru informații suplimentare.



Pentru statele comunitare: Nu dezafectați echipamentele electrice împreună cu deșeurile menajere!

În conformitate cu Directiva Europeană 2012/19/EU privind deșeurile de echipamente electrice și electronice și transpunerea acesteia în legislația națională, echipamentele electrice care nu mai pot fi folosite trebuie să fie colectate și reciclate într-un mod nepoluant.

Dezafectarea bateriei

Pentru statele comunitare: Bateriile defecte sau uzate trebuie reciclate în conformitate cu Directiva 2012/19/EU.

micro IR-200

micro IR-200 Kontaktmentes infravörös hőmérő



⚠ VIGYÁZAT

A berendezés használata előtt figyelmesen olvassa el ezt az útmutatót. A figyelmeztetések és utasítások meg nem értése és be nem tartása áramütést, tüzet és/vagy súlyos sérülést okozhat.

micro IR-200 kontaktmentes infravörös hőmérő

Jegyezze fel és őrizze meg alább a sorozatszámot, melyet a termék adattábláján talál meg.

Sorozat-
sz.

Tartalomjegyzék

A berendezés sorozatszámának rögzítésére szolgáló rész	209
Biztonsági szimbólumok	211
Általános biztonsági információk	212
A munkaterület biztonsága.....	212
Elektromos biztonság	212
Személyes biztonság	212
A berendezés használata és gondozása	212
Szerviz.....	213
Különleges biztonsági információk	213
Az infravörös hőmérő biztonsága.....	213
Leírás, műszaki adatok és standard változat	213
Magyarázat.....	213
Műszaki adatok.....	214
Alkatrészek változat.....	215
Az LCD-kijelző ikonjai.....	215
Standard változat.....	215
A lézer besorolása	216
FCC nyilatkozat	216
Elektromágneses kompatibilitás (EMC)	216
Az elemek töltése/Behelyezése	216
Szemrevételezés a használat előtt	217
Beállítás és üzemeltetés	218
Összeszerelése	218
Üzemeltetés	219
Be- és kikapcsolás (Mérések elvégzése).....	219
A micro IR-200 kezelőszervei	219
Folyamatos mérési (Felügyeleti) üzemmód	220
Lézer engedélyezve/Tiltva	220
Háttérvilágítás	220

A menügomb használata	220
Felső riasztás	220
Alsó riasztás	220
Kibocsátó képesség	221
Tisztítás	221
Tárolás	221
Szerviz és javítás	221
Ártalmatlanítás	221
Akkumulátorok ártalmatlanítása	221
EK Megfelelőségi nyilatkozat	A hátsó borító belső oldalán
Örökgarancia	Hátsó borító

* Eredeti használati utasítás fordítása

Biztonsági szimbólumok

Az üzemeltetési útmutatóban és a terméken szereplő biztonsági szimbólumok és jelzőszavak fontos biztonsági információk közlésére szolgálnak. Ez a rész ezen szimbólumok és jelzőszavak megértését segítik.



Ez a biztonsági figyelmeztető szimbólum. A szimbólum a lehetséges személyi sérülés kockázatára hívja fel a figyelmet. Az esetleges sérülések vagy halál elkerülésének érdekében tartsa be a szimbólumot követő biztonsági üzeneteket.



VESZÉLY A VESZÉLY szó olyan kockázatos helyzetet jelöl, melyet ha nem kerülnek el, halállal vagy komoly sérülésekkel jár.



FIGYELMEZTETÉS A FIGYELMEZTETÉS szó olyan kockázatos helyzetet jelöl, melyet ha nem kerülnek el, halállal, vagy komoly sérülésekkel járhat.



VIGYÁZAT A VIGYÁZAT szó olyan kockázatos helyzetet jelöl, mely kisebb, mérsékeltebb sérülésekkel járhat.



MEGJEGYZÉS A MEGJEGYZÉS szó a vagyontárgyak védelmével kapcsolatos információkat jelöli.



Ez a szimbólum azt jelenti, hogy figyelmesen olvassa el az üzemeltetési útmutatót a készülék használata előtt. A kezelési útmutató fontos információkat tartalmaz a készülék biztonságos és megfelelő használatával kapcsolatban.



E szimbólum arra utal, hogy a jelen eszköz 2. osztályú lézert tartalmaz.



E szimbólum arra utal, hogy a lézersugárba nézni tilos.



E szimbólum a lézersugár jelenlétére és veszélyére figyelmeztet.

Általános biztonsági információk

▲ FIGYELMEZTETÉS

Minden biztonsági figyelmeztetést és minden utasítást olvasson el. A figyelmeztetések és utasítások figyelmen kívül hagyása áramütést, tüzet és/vagy súlyos sérülést eredményezhet.

ŐRIZZE MEG EZT AZ ÚTMUTATÓT!

Kérésre a EK megfelelőségi nyilatkozatot (890-011-320.10) külön füzet alakjában mellékeljük a jelen kézikönyvhöz.

A munkaterület biztonsága

- **A munkahelyet tartsa tisztán, és biztosítsa a jó megvilágítást.** A zsúfolt vagy sötét helyek vonzzák a baleseteket.
- **Ne működtesse a berendezést robbanásveszélyes környezetben, például gyúlékony folyadékok, gázok vagy por jelenlétében.** A berendezés által kibocsátott szikrák begyűjthetik a port és a gázokat.
- **A berendezés használata során tartsa távol a gyermekeket és az ott tartózkodókat.** Figyelmének elvonása esetén elvesztheti ellenőrzését a készülék fölött.

Elektromos biztonság

- **Kerülje az érintkezést földelt felületekkel (pl. cső, fűtőtest, tűzhely, hűtő stb.).** Nagyobb a veszélye az áramütésnek, ha a teste le van földelve.
- **Óvja a berendezést az esőtől és a nedvességtől.** Ha víz jut a berendezésbe, az megnöveli az áramütés kockázatát.

Személyes biztonság

- **Legyen elővigyázatos, figyeljen oda munkájára és használja józan eszét munka közben. Ne használja a berendezést fáradtan, illetve gyógyszer, alkohol vagy kábítószer hatása alatt.** A berendezés működése során egy pillanatnyi figyelmetlenség is súlyos személyi sérülést okozhat.

- **Használjon személyi védőfelszerelést.** Mindig viseljen szemvédőt. A körülményeknek megfelelő védőfelszerelés, például porszűrő maszk, csúszmentes biztonsági lábbeli, védősisak vagy fülvédő használatával csökkenthető a személyi sérülés kockázata.
- **Ne végezzen munkát veszélyesen kinyújtózott helyzetben. Mindig stabilan álljon, és ügyeljen az egyensúlyára.** Így váratlan helyzetben könnyebben megőrizheti uralmát a szerszám gép fölött.

A berendezés használata és gondozása

- **Ne erőltesse a berendezést. Mindig az alkalmazásnak megfelelő berendezést használjon.** A megfelelő berendezéssel jobban és biztonságosabban végezhető el a munka, és a berendezés a tervezett sebességgel fog működni.
- **Ne használja a berendezést, ha az a kapcsolóval nem kapcsolható BE vagy KI.** A kapcsoló segítségével nem vezérelhető gép veszélyes, és javítást igényel.
- **A beállítások végrehajtása, a tartozékok cseréje, illetve a raktározási időszak előtt mindig csatlakoztassa le az elemeket a berendezésről.** Ezek az óvintézkedések csökkentik a sérülések kockázatát.
- **A berendezést gyermekek elől elzárt helyen tartsa. Ne engedje, hogy olyan személy használja a berendezést, aki nem ismeri jól azt, vagy a jelen útmutatót.** A berendezés veszélyes a gyakorlatlan felhasználók kezében.
- **Tartsa karban a berendezést.** Ellenőrizze a mozgó alkatrészek beállítását, mozgásuk akadálytalanságát, az alkatrészek épségét, és minden további körülményt, amely befolyásolhatja a berendezés működését. A sérült berendezést további használat előtt javíttassa meg. Sok balesetet a nem megfelelően karbantartott eszközök okoznak.
- **A berendezést és tartozékait a jelen használati útmutatónak megfelelően használja, figyelembe véve a munkakörülményeket és az elvégzendő munka jellegét.** A berendezés nem rendeltetésszerű használata veszélyes helyzeteket idézhet elő.

- Csak a gyártó által a berendezéshez ajánlott tartozékokat használjon. Az, hogy egy tartozék megfelelően használható egy másik berendezéssel, nem jelenti azt, hogy ezzel a berendezéssel is biztonságosan alkalmazható.
- A fogantyúkat tartsa szárazon, tisztán, valamint olaj- és zsírmintesen. Így biztonságosabb a berendezés kezelése.

Szerviz

- A berendezés javítását bizza szakemberre, akinek az eredetivel azonos pótalkatrészeket kell használnia. Ezzel biztosítható a gép biztonságának fenntartása.

Különleges biztonsági információk

▲ FIGYELMEZTETÉS

Ez a rész kizárólag a jelen szerszámgépre vonatkozó biztonsági információkat tartalmaz.

A RIDGID® micro IR-200 kontaktmentes infravörös hőmérő használata előtt gondosan olvassa el a jelen óvintézkedéseket. Így csökkentheti a tűzveszélyt, robbanásveszélyt és a súlyos személyi sérülések kockázatát.

ŐRIZZE MEG EZT AZ ÚTMUTATÓT!

Az útmutatót a szerszámmal együtt tárolja és szállítsa, hogy az mindig elérhető legyen a kezelő számára.

Az infravörös hőmérő biztonsága

- **Ne nézzen a lézersugárba.** A közvetlen lézersugárzás káros lehet a szem számára. Ne nézzen a lézersugárba optikai segédeszközzel (pl. távcsővel, teleszkóppal) sem.
- **A lézersugarat ne irányítsa másik ember felé.** A lézert a szem szintje alá, illetve fölé kell irányítani. A lézersugár káros lehet a szem számára.
- **Semmiféle személyi, illetve orvosi vizsgálatra ne használja a készüléket.** A készülék nem orvosi eszköz. Ez ugyanis személyi sérülést okozhat.

- **Villamos feszültség alatt álló, mozgó, ill. forró alkatrészek közelében dolgozva tegye meg a megfelelő óvintézkedéseket.** A közeli érintkezés áramütést, becsipődést, égést, illetve egyéb súlyos sérülést okozhat. Védőfelszerelés használata lehet szükséges.

▲ VIGYÁZAT Ha az itt leírtaktól eltérő műveleteket vagy beállításokat végeznek, ill. eltérő módon hajtják végre az egyes eljárásokat, az veszélyes sugárzásos kitétséggel járhat.

Ha kérdései vannak ezzel a RIDGID® termékkel kapcsolatban:

- Lépjen kapcsolatba a helyi RIDGID-forgalmazóval.
- Látogasson el a RIDGID.com címre, és keresse meg az Ön esetében illetékes RIDGID kapcsolattartási pontot.
- Forduljon a Ridge Tool műszaki szolgáltatási részlegéhez az rttechservices@emerson.com címen, illetve az USA-ban és Kanadában a 800-519-3456 számon.

Leírás, műszaki adatok és standard változat

Magyarázat

RIDGID® micro IR-200 kontaktmentes infravörös hőmérő egyetlen gombnyomással egyszerű, gyors és pontos felületi hőmérsékleti adatokkal szolgál. Önnek elegendő megnyomnia az elsütőbillentyűt, és az ultraéles, II. osztályú kettős lézernyalábbal a mérendő felületre mutatnia. A micro IR-200 a jól áttekinthető, háttérvilágított LCD-kijelzőn azonnal megjeleníti a hőmérsékletmérés eredményét. Ezzel az erős felépítésű, kompakt műszerrel – számos egyéb felhasználás mellett – a szakemberek könnyen, kontaktus nélkül diagnosztizálhatják a fűtési és szellőzési problémákat, megelőző ellenőrzést hajthatnak végre a villamos motorokon és rendszereken, megkereshetik a gőzcsapdák hibáit, illetve ellenőrizhetik a biztosítékok, megszakítók esetleges túlhevülését.

A micro IR-200 optikai rendszerrel észleli a kibocsátott, visszavert és továbbított energiát, és összegyűjti, majd detektorra továbbítja azt. A műszer elektronikája az információt mért értéké alakítja, amely azután megjelenik. A pontos célzást lézerek segítik.

Műszaki adatok

Hőfoktartomány.....	-58°F – 2192°F (-50°C – 1200°C)
Távolság/Foltátmérő arány.....	30 : 1
Mérési pontosság.....	-58°F ~ 68°F (50°C ~20°C): ±4.5°F (2,5°C) 68°F ~ 1472°F (20°C ~800°C) ±1,0% vagy ±1.8°F (1,0°C) 68°F ~ 68°F (50°C ~20°C) ±2.3°F (1,3°C) 68°F ~ 1472°F (20°C ~800°C) ±0,5% vagy ±0.9°F (0,5°C)
Ismételhetőség.....	150 ms
Válaszidő.....	8~14 um
Spektrumválasz.....	Állítható, 0,10 - 1,00
Kibocsátó képesség.....	Az LCD-n "—" látható
Méréstartomány túllépésének jelzése.....	Kimenő teljesítmény <1mW, hullámhossz 630~670nm, 2. osztályú lézertermék
Lézerdióda.....	Pillanatnyi hőmérséklet, MAX hőmérséklet
Hőmérséklet megjelenítése.....	Fahrenheit, Celsius
Mértékegységek.....	32°F - 122°F (0°C – 50°C)
Üzemi hőmérséklet.....	14°F - 140°F (-10°C – 60°C)
Tárolási hőmérséklet.....	0.1°F (0,1°C)
Kijelzés felbontása.....	10%~90% relatív – üzemi, <80% relatív – tárolási
Relatív páratartalom.....	9V-os elem (1), NEDA 1604A vagy IEC 6LR61, vagy azzal egyenértékű
Elemek.....	IP54
IP besorolás.....	0.6 lbs (0,3 kg)
Súly.....	

Jellemzők

- Gyors érzékelés
- Kettős, II. osztályú lézer
- Mért adatok automatikus tartása
- MAX hőmérséklet megjelenítése
- Pontos mérés, kontaktus nélkül
- Automatikusan választott méréstartomány, 0.1°F-os (0,1°C) kijelzési felbontás
- Háttérvilágított LCD-kijelző
- Reteszeltetű elsütőbillentyű
- Beállítható felső és alsó riasztás
- Állítható kibocsátó képesség



1. ábra – A micro IR-200 kontaktmentes infravörös hőmérő

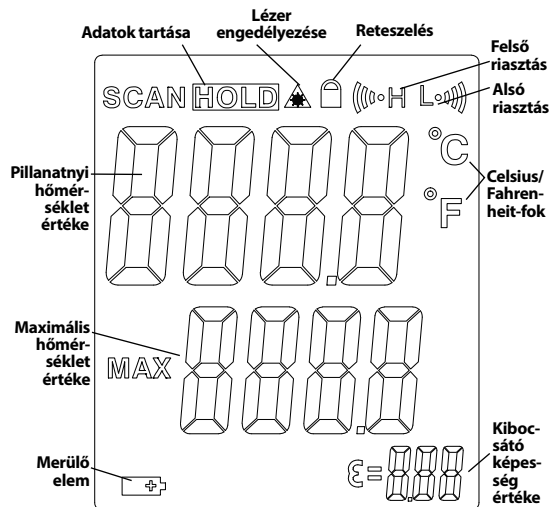
Alkatrészek változat



2. ábra – A micro IR-200 részei



Az LCD-kijelző ikonjai



3. ábra – A micro IR-200 kijelzőjének ikonjai

Standard változat

- micro IR-200
- Hordtáska
- 1 db 9V-os elem
- Üzemeltetői útmutató

MEGJEGYZÉS A jelen berendezés feladata a hőmérsékletek le-mérése. A hibás vagy rendeltetésszerűtlen alkalmazás hibás, ill. pontatlan mérést eredményezhet. Az éppen adott körülményeknek megfelelő mérési módszer megválasztása a felhasználó felelőssége.

A lézer besorolása



A RIDGID micro IR-200 szabad szemmel látható lézergusaragat bocsát ki az eszköz elülső részéből.

Az eszköz megfelel a 2. osztályú lézerekkel szemben támasztott követelményeknek az alábbiak szerint: IEC 60825-1:2007

FCC nyilatkozat

A felszerelést tesztelték, és megfelel az FCC szabályzat 15-ös része alapján a B osztályú digitális készülékre vonatkozó korlátozásoknak. Ezeket a korlátozásokat azért hozták létre, hogy ésszerű védelmet nyújtsanak otthoni beépítés során a káros interferenciák ellen.

Ez a készülék rádiófrekvenciákat használ és sugároz, de ha nem az előírásoknak megfelelően állítják össze és használják, akkor káros interferenciákat hozhat létre a rádiókommunikációban.

Azonban nincs semmilyen garancia arra, hogy az interferencia nem jelenik meg bizonyos használatkor.

Ha a készülék káros interferenciákat kelt a rádió vagy tv-készülék vételénél, - melyet a készülék ki-és bekapcsolásával ellenőrizhet - akkor a felhasználónak a következő egy vagy több intézkedéssel javítania kell az interferencián:

- Állítsa vagy helyezze át a vevőantennát.
- Növelje a készülék és a vevő közötti távolságot.
- Segítségért keresse fel a kereskedőt vagy egy szakképzett rádió- / tv-szerelőt.

Elektromágneses kompatibilitás (EMC)


Az elektromágneses kompatibilitás azt jelenti, hogy az adott termék képes zökkenőmentesen működni olyan környezetben, ahol elektromágneses sugárzás és elektrosztatikus kisülések vannak jelen, anélkül, hogy más berendezések számára elektromágneses interferenciát okozna.

MEGJEGYZÉS A RIDGID micro IR-200 minden vonatkozó EMC szabványnak megfelel. Nem zárható ki azonban teljesen annak lehetősége, hogy a készülék más eszközökben interferenciát okoz.



4. ábra – Az elemtartó eltávolítása

Az elemek töltése/Behelyezése

A micro IR-200 készüléket behelyezett elem nélkül szállítjuk. Ha az elem visszajelzője (3. ábra) megjelenik , akkor az elemet cserélni kell. Az elem szivárgásának megelőzése érdekében hosszú távú raktározás előtt vegye ki az elemet a készülékből.

1. Nyomja össze az elemtartó kapcsokat, és vegye ki az elemtartót a hőmérőből (4. ábra). Ha szükséges, vegye ki az elemet.
2. Helyezzen be 1 db 9 V-os alkálielemet (6LR61). Ügyeljen az elemtartón feltüntetett polarításra.



5. ábra – Az elemtartó és a polarítás jelölése

3. Nyomja össze az elemtartó kapcsokat, és szilárdan tolja az elemtartót a hőmérőbe. Az elemtartó csak egyféleképpen helyezhető be. Ne erőltesse. Ellenőrizze, hogy a fedél megfelelően a helyére került-e.

Szemrevételezés a használat előtt

▲ FIGYELMEZTETÉS

A sérülésveszély, illetve a hibás mérések megelőzése érdekében minden használat előtt ellenőrizze az infravörös hőmérőt, és szüntesse meg az esetleges problémákat.

Ne nézzen a lézersugárba. A közvetlen lézersugárzás káros lehet a szem számára.

1. A berendezésről tisztítson le minden olajat, zsírt és szennyeződést. Ez megkönnyíti a vizsgálatot.

2. Vizsgálja meg a micro IR-200 készüléket, nincsenek -e törött, kopott, hiányzó, rosszul felhelyezett, összeragadt vagy bármilyen más olyan állapotban levő alkatrészei, melyek megakadályozhatják a biztonságos, szabályos működést.
3. Ellenőrizze, hogy minden figyelmeztető címke látható, szilárdan áll, és olvasható-e (6. ábra).
4. Ha a vizsgálat során bármilyen problémát fedez fel, ne használja az infravörös hőmérőt, amíg a hibá(ka)t el nem hárította.
5. A kezelési útmutató előírásait követve kapcsolja be az infravörös hőmérőt, végezzen mérést, majd ellenőrizze, hogy ugyanaz a mérés más műszerrel (pl. kontakthőmérővel) mérve is ugyanazt az eredményt adja-e. Ha a két mérés eredménye közötti eltérés megengedhetetlenül nagy, akkor ne használja az infravörös hőmérőt, amíg a hibá(ka)t el nem hárította.



6. ábra – Figyelmeztető címkék

Beállítás és üzemeltetés

⚠ FIGYELMEZTETÉS



Ne nézzen a lézersugárba. A közvetlen lézersugárzás káros lehet a szem számára. Ne nézzen a lézersugárba optikai segédeszközzel (pl. távcsővel, teleszkóppal) sem.

A lézersugarat ne irányítsa másik ember felé. A lézert a szem szintje alá, illetve fölé kell irányítani. A lézersugár káros lehet a szem számára.

Villamos feszültség alatt álló, mozgó, ill. forró alkatrészek közelében dolgozva tegye meg a megfelelő óvintézkedéseket. A közeli érintkezés áramütést, becsípődést, égést, illetve egyéb súlyos sérülést okozhat. Védőfelszerelés használata lehet szükséges.

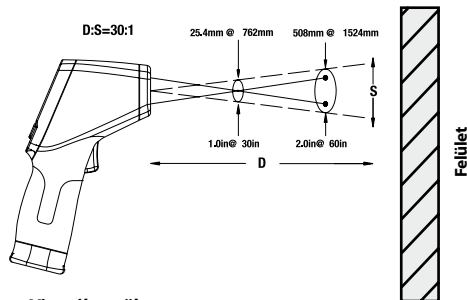
A sérülésveszély, illetve a hibás mérések megelőzése érdekében az infravörös hőmérőt a következő eljárásoknak megfelelően állítsa be és üzemeltesse.

Összeszerelése

1. Ellenőrizze a munkaterület biztonságosságát a következő részben leírtak szerint: *Általános biztonság.*
2. Ellenőrizze a mérendő objektumot. Döntse el, hogy az alkalmazáshoz a megfelelő eszközzel rendelkezik-e. A *mérés-tartományról, a pontosságról* és az egyéb információkról lásd a Műszaki adatok fejezetet.

A micro IR-200 pontosságát számos tényező befolyásolhatja. Ilyen tényezők:

Vizsgált terület – A micro IR-két lézerrel jelöli ki a mérendő területet. A lézerek által vetített pontok által kijelölt szakasz annak a területnek (az ún. "foltnak") a hozzávetőleges átmérője, amelyben a hőmérsékletmérés történik. Ha a micro IR-200-at elfelé mozgatják a felülettől (D), akkor a folt mérete (S) növekszik. A terület kb. $\frac{1}{30}$ -szoros a távolságig mért felületnek. (Lásd a 7. ábrát).



7. ábra – Vizsgált terület

A foltnak mindig kisebbnek kell lennie, mint a felület. Minél kisebb a felület, annál közelebb kell vinni hozzá a micro IR-200-at. A legjobb pontosság akkor áll elő, ha a felület mérete kétszerese a foltnak.

Kibocsátó képesség – Kibocsátó képességnek az anyagok energiakibocsátó tulajdonságát nevezik. Az érték 0-tól 1-ig terjed. A micro IR-200 segítségével a kibocsátó képesség 0,10-től 1,00-ig állítható a hőmérsékletek számításához. Ha az illető felület kibocsátási tulajdonsága nem ismert, akkor 0,95 értékű kibocsátó képesség számos alkalmazáshoz, pl. a festett felületekhez is megfelelő. A kibocsátó képességi értékek a gyakoribb anyagokhoz a 8. ábrán láthatók.

Anyag	Kibocsátó képesség	Anyag	Kibocsátó képesség
Alumínium, polírozott	0,05	Festék	0,95
Aszfalt	0,88	Papír, fehér	0,90
Tégla	0,90	Gipsz, érdes	0,89
Beton, érdes	0,91	Gumi	0,93
Réz, polírozott	0,04	Acél, galvanizált	0,28
Üveg	0,95	Acél, oxidálódott	0,88
Mészkö	0,92	Víz	0,96
Márvány, polírozott	0,90		

8. ábra – Gyakori anyagok kibocsátó képességi értékei

Hőmérséklet – A micro IR-200 képes kompenzálni a környezeti hőmérséklet változásait, azonban a pontosság romolhat, ha a környezeti, illetve a mért hőmérséklet nagymértékben megváltozik. Ha a környezeti hőmérséklet jelentősen (30°F/17°C-nál nagyobb mértékben) megváltozik, akkor a legjobb pontosság érdekében várjon tizenöt percet, hogy a micro IR-200 stabilizálódhasson.

Akadályok – Ha a micro IR-200 és a mérendő felület között gőz, por, füst, illetve más akadály, pl. üveg vagy műanyag helyezkedik el, akkor a pontosság romolhat. Ezek az akadályok gátolhatják az optika működését, ill. hamis mért értékeket adhatnak (a felület helyett az üveg hőmérsékletét méri a hőmérő). Ha akadályok vannak jelen, akkor ne használja a műszert.

3. Győződjön meg arról, hogy minden felszerelést megfelelően ellenőriztek-e.

Üzemeltetés

Be- és kikapcsolás (Mérések elvégzése)

1. A micro IR-200-zal a fogantyújánál fogva mutasson a mérendő felületre. Villamos feszültség alatt álló, mozgó, ill. forró alkatrészekről tartsa távol. Bekapcsolás előtt ellenőrizze, hogy a műszer biztonságos irányba, a környéken levő személyektől elfelé mutat-e.

2. A micro IR-200 bekapcsolásához húzza meg az elsütőbillentyűt. Az elsütőbillentyű meghúzásakor megjelenik a SCAN ikon, és a micro IR-200 folyamatosan frissíti a megjelenített pillanatnyi hőmérsékletet, valamint jelzi a műszer bekapcsolása óta mért legmagasabb hőmérsékletet is.

A hideg és forró felületek megkereséséhez a micro IR-200-at lassan mozgassa a felület mentén. *Felső és alsó riasztás beállítása c. fejezetekben olvashatók.*

3. Az elsütőbillentyű elengedése után megjelenik a HOLD ikon. A IR-200 hét másodperc múlva automatikusan kikapcsol, ha nincs Folyamatos mérés módban.

A micro IR-200 kezelőszervei



9. ábra – A micro IR-200 kijelzője/gombjai

Folyamatos mérési (Felügyeleti) üzemmód

A micro IR-200 bekapcsolt állapotában reteszelt, így az elsőtöbblentyű lenyomva tartása nélkül is mér. Bekapcsolás előtt ellenőrizze, hogy a műszer biztonságos irányba, a környéken lévő személyektől elfelé mutat-e. Az elsőtöbblentyűt lenyomva tartva kapcsolja be a micro IR-200-at. Az elsőtöbblentyűt továbbra is lenyomva tartva nyomja le és engedje el a menügombot. Megjelenik a SCAN és a LOCK ikon. A micro IR-200 ekkor az elsőtöbblentyű elengedése után is folyamatosan frissíti a mért hőmérsékleti értéket az elsőtöbblentyű újbóli lenyomásáig és elengedéséig.

Lézer engedélyezve/Tiltva

Szükség esetén a célzáshoz használt lézerek elemkímélési okokból letilthatók. Ilyen esetben különös gondossággal kell eljárni célzásnál, ha továbbra is pontos mérési eredményeket szeretne. A lézerek engedélyezéséhez vagy tiltásához az elsőtöbblentyűt lenyomva tartva nyomja le és engedje el a lézer engedélyező gombját. A lézer engedélyezett állapotában a Lézer engedélyezve ikon látható.

Háttérvilágítás

Gyenge környezeti fény esetén a micro IR-200 háttérvilágítása segíti az olvashatóságot. A háttérvilágítás be- és kikapcsolásához a műszer bekapcsolt állapotában nyomja le a háttérvilágítás gombját.

A menügomb használata

Az elsőtöbblentyű lenyomása után a menügomb lenyomásával és elengedésével a következő beállítások között lehet böngészni: Felső riasztás be/ki, Felső riasztási hőmérséklet, Alsó riasztás be/ki, Alsó riasztási hőmérséklet, Hőmérséklet mértékegységei, Kibocsátó képesség.

Felső riasztás

A felső riasztás hangjelzést ad, ha a pillanatnyi hőmérséklet magasabb, mint egy előre beállított érték. A felső riasztás bekapcsolásához húzza meg és engedje el az elsőtöbblentyűt, majd nyomja le és engedje el a menügombot többször, addig, amíg a felső riasztás ikonja villogni nem kezd. A felfelé/lefelé gombokkal kapcsolja be, illetve ki a felső riasztást szükség szerint. Ismét nyomja le és engedje el a menügombot. A felső riasztás ikonja tovább villog, és megjelenik a felső riasztási hőmérséklete. A felfelé/lefelé gombokkal állítsa be a kívánt riasztási hőmérsékletet. A Beállítások üzemmódból való kilépéshez és a módosítások mentéséhez húzza meg az elsőtöbblentyűt.

Alsó riasztás

Az alsó riasztás hangjelzést ad, ha a pillanatnyi hőmérséklet alacsonyabb, mint egy előre beállított érték. Az alsó riasztás bekapcsolásához húzza meg és engedje el az elsőtöbblentyűt, majd nyomja le és engedje el a menügombot többször, addig, amíg az alsó riasztás ikonja villogni nem kezd. A felfelé/lefelé gombokkal kapcsolja be, illetve ki az alsó riasztást szükség szerint. Ismét nyomja le és engedje el a menügombot. Az alsó riasztás ikonja tovább villog, és megjelenik az alsó riasztás hőmérséklete. A felfelé/lefelé gombokkal állítsa be a kívánt riasztási hőmérsékletet. A Beállítások üzemmódból való kilépéshez és a módosítások mentéséhez húzza meg az elsőtöbblentyűt.

Hőmérséklet mértékegysége - °C/°F

A micro IR-200 a hőmérsékleteket Celsius- (C) és Fahrenheit- (F) fokban is képes megjeleníteni. A mértékegység módosításához húzza meg és engedje el az elsőtöbblentyűt, majd nyomja le és engedje el a menügombot többször, addig, amíg a mértékegység ikonja villogni nem kezd a képernyőn. A felfelé/lefelé gombokkal állítsa be a kívánt egységet (C vagy F). A Beállítások üzemmódból való kilépéshez és a módosítások mentéséhez húzza meg az elsőtöbblentyűt.

Kibocsátó képesség

A kibocsátó képesség 0,10-től 1,00-ig állítható. Az adott alkalmazáshoz megfelelő érték meghatározásáról lásd a Beállítás fejezetet. Az érték beállításához húzza meg és engedje el az elsütőbillentyűt, majd nyomja le és engedje el a menügombot többször, addig, amíg a kibocsátó képesség értéke villogni nem kezd a képernyőn. A kibocsátó képesség értékének növelésére, ill. csökkentésére a felfelé/lefelé gomb használható. A Beállítások üzemmódból való kilépéshez és a módosítások mentéséhez húzza meg az elsütőbillentyűt.

Tisztítás

A RIDGID micro IR-200 kontaktmentes infravörös hőmérőt tilos vízbe meríteni. A szennyeződést nedves, puha textillel törölje le. Agresszív tisztítószert, oldószert ne használjon. A műszert a távcsövekhez, kamerákhoz hasonló módon kell kezelni.

Tárolás

A RIDGID micro IR-200 infravörös hőmérőt száraz, biztonságos helyen, -10 és 60 °C közötti hőmérsékleten kell tárolni.

A műszert zárható helyen tartsa, hogy ne kerülhessen gyermekek vagy a micro IR-200 kezelésében nem jártas személyek kezébe.

Az elem szivárgásának megelőzése érdekében hosszú távú raktározás, illetve szállítás előtt vegye ki az elemet a készülékből.

Szerviz és javítás

▲ FIGYELMEZTETÉS

A nem megfelelő szervizelés és javítás veszélyeztetheti a RIDGID micro IR-200 kontaktmentes infravörös hőmérő használatának biztonságosságát.

A IR-200 szervizelését és javítását felhatalmazott, független RIDGID szervizközpontnak kell végeznie.

Ha tájékoztatásra van szüksége a legközelebbi RIDGID független, felhatalmazott szervizközpontról, vagy bármilyen, szervizeléssel vagy javítással kapcsolatos kérdése van:

- Lépjen kapcsolatba a helyi RIDGID-forgalmazóval.
- A RIDGID.com oldalon megtalálhatja az Önhöz tartozó Ridge Tool kapcsolatfelvételi pontot.
- Forduljon a Ridge Tool műszaki szolgáltatási részlegéhez az rtctechservices@emerson.com címen, illetve az USA-ban és Kanadában a 800 -519-3456 számon.

Ártalmatlanítás

A RIDGID micro IR-200 kontaktmentes infravörös hőmérő értékes, újrahasznosítható anyagokat tartalmaz. Az Ön lakóhelyén az újrahasznosítással erre szakosodott szervezetek foglalkoznak. Az alkatrészeket a helyi előírásoknak megfelelően ártalmatlanítsa. További információkért lépjen kapcsolatba a helyi hulladékkezelési szervvel.



Az EK országaiban: Az elektromos berendezéseket ne dobja ki a háztartási hulladékkal együtt!

Az elektromos és elektronikus berendezések hulladékairól szóló 2012/19/EU irányelv (illetve annak a helyi törvényekben megvalósított előírásai) szerint a már nem használható elektronikus hulladékokat külön kell összegyűjteni, és a környezetvédelmi előírásoknak megfelelően kell ártalmatlanítani.

Akkumulátorok ártalmatlanítása

Az EK országaiban: A sérült vagy használt elemeket a 2012/19/EU irányelvnek megfelelően kell újrahasznosítani.

micro IR-200

micro IR-200 Θερμόμετρο υπερύθρων άνευ επαφής



ΠΡΟΕΙΔΟΠΟΙΗΣΗ

Διαβάστε προσεκτικά το παρόν εγχειρίδιο χειριστή πριν χρησιμοποιήσετε αυτό το εργαλείο. Αν δεν κατανοήσετε και δεν τηρήσετε τις οδηγίες που περιλαμβάνονται σε αυτό το εγχειρίδιο, μπορεί να προκληθεί ηλεκτροπληξία, πυρκαγιά ή/και σοβαρός τραυματισμός.

micro IR-200 Θερμόμετρο υπερύθρων άνευ επαφής

Σημειώστε παρακάτω τον αριθμό σειράς που αναγράφεται στην πινακίδα τεχνικών χαρακτηριστικών του προϊόντος και φυλάξτε τον.

Αρ.
σειράς

Πίνακας περιεχομένων

Φόρμα καταγραφής αριθμού σειράς του μηχανήματος	223
Σύμβολα ασφαλείας	225
Γενικοί κανόνες για την ασφάλεια	226
Ασφάλεια χώρου εργασίας.....	226
Ηλεκτρική ασφάλεια.....	226
Σωματική ακεραιότητα.....	226
Χρήση και φροντίδα του εργαλείου.....	226
Σέρβις.....	227
Ειδικές πληροφορίες για την ασφάλεια	227
Ασφάλεια Θερμομέτρου Υπερέθρων.....	227
Περιγραφή, τεχνικά χαρακτηριστικά και βασικός εξοπλισμός	227
Περιγραφή.....	227
Τεχνικά χαρακτηριστικά.....	228
Χαρακτηριστικά.....	229
Εξαρτήματα.....	229
Ταξινόμηση Laser	230
Δήλωση συμμόρφωσης με την Ομοσπονδιακή Επιτροπή	
Επικοινωνιών (FCC)	230
Εικονίδια οθόνης LCD.....	230
Βασικός εξοπλισμός.....	230
Ηλεκτρομαγνητική συμβατότητα (EMC)	
231	
Αλλαγή/Τοποθέτηση μπαταριών	231
Έλεγχος πριν από τη λειτουργία	231
Ρύθμιση και λειτουργία	232
Ρύθμιση.....	232
Λειτουργία	234
Ενεργοποίηση και Απενεργοποίηση (Πραγματοποίηση μετρήσεων) ...	234

Χειριστήρια micro IR-200	234
Λειτουργία μέτρησης (Σάρωση).....	234
Ενεργοποίηση/Απενεργοποίηση λείζερ.....	235
Οπίσθιος φωτισμός.....	235
Χρήση κουμπιού Μενού.....	235
Συναγερμός υψηλής θερμοκρασίας.....	235
Συναγερμός χαμηλής θερμοκρασίας.....	235
Μονάδες εμφάνισης θερμοκρασίας - °C/°F.....	235
Ικανότητα εκπομπής.....	236
Καθαρισμός	236
Φύλαξη	236
Σέρβις και επισκευή	236
Απόρριψη	236
Απόρριψη μπαταριών	236
Δήλωση συμμόρφωσης ΕΚ	Εσωτερικό οπισθόφυλλο
Εγγύηση εφ' όρου ζωής	Οπισθόφυλλο

* Μετάφραση του πρωτοτύπου των οδηγιών χρήσης

Σύμβολα ασφαλείας

Στο παρόν εγχειρίδιο χειρισμού και πάνω στο προϊόν χρησιμοποιούνται σύμβολα και προειδοποιητικές ενδείξεις που επισημαίνουν σημαντικές πληροφορίες για την ασφάλεια. Οι προειδοποιητικές αυτές ενδείξεις και τα σύμβολα επεξηγούνται σε αυτή την ενότητα.



Αυτό είναι το σύμβολο προειδοποίησης ασφαλείας. Χρησιμοποιείται για να σας προειδοποιήσει για πιθανό κίνδυνο τραυματισμού. Τηρείτε πιστά όλα τα μηνύματα ασφαλείας που ακολουθούν αυτό το σύμβολο για να αποφύγετε πιθανό τραυματισμό ή θάνατο.

▲ ΚΙΝΔΥΝΟΣ

Η ένδειξη ΚΙΝΔΥΝΟΣ επισημαίνει μια επικίνδυνη κατάσταση, η οποία, εάν δεν αποφευχθεί, οδηγεί σε θάνατο ή σοβαρό τραυματισμό.

▲ ΠΡΟΕΙΔΟΠΟΙΗΣΗ

Η ένδειξη ΠΡΟΕΙΔΟΠΟΙΗΣΗ επισημαίνει μια επικίνδυνη κατάσταση, η οποία, εάν δεν αποφευχθεί, μπορεί να οδηγήσει σε θάνατο ή σοβαρό τραυματισμό.

▲ ΠΡΟΣΟΧΗ

Η ένδειξη ΠΡΟΣΟΧΗ επισημαίνει μια επικίνδυνη κατάσταση, η οποία, εάν δεν αποφευχθεί, μπορεί να οδηγήσει σε μικροτραυματισμό ή μέτριας σοβαρότητας τραυματισμό.

ΕΠΙΣΗΜΑΝΣΗ

Η ένδειξη ΕΠΙΣΗΜΑΝΣΗ επισημαίνει πληροφορίες που σχετίζονται με την προστασία περιουσιακών αγαθών.



Αυτό το σύμβολο σημαίνει ότι θα πρέπει να διαβάσετε προσεκτικά το εγχειρίδιο χειρισμού πριν χρησιμοποιήσετε τον εξοπλισμό. Το εγχειρίδιο χειρισμού περιλαμβάνει σημαντικές πληροφορίες για την ασφαλή και ορθή λειτουργία του εξοπλισμού.



Αυτό το σύμβολο σημαίνει ότι η συσκευή περιέχει Laser Κλάσης 2.



Αυτό το σύμβολο σας επισημαίνει ότι δεν πρέπει να κοιτάζετε απευθείας τη δέσμη laser.



Αυτό το σύμβολο σας προειδοποιεί για παρουσία δέσμης laser και ενδεχόμενο κίνδυνο από αυτή.

Γενικοί κανόνες για την ασφάλεια

⚠ ΠΡΟΕΙΔΟΠΟΙΗΣΗ

Διαβάστε όλες τις προειδοποιήσεις ασφαλείας και όλες τις οδηγίες. Η μη τήρηση των προειδοποιήσεων και των οδηγιών μπορεί να προκαλέσει ηλεκτροπληξία, πυρκαγιά ή/και σοβαρό τραυματισμό.

ΦΥΛΑΞΤΕ ΑΥΤΕΣ ΤΙΣ ΟΔΗΓΙΕΣ!

Η δήλωση συμμόρφωσης EK (890-011-320.10) θα συνοδεύει αυτό το χειρίδιο σαν ξεχωριστό βιβλιαράκι εφόσον απαιτείται.

Ασφάλεια χώρου εργασίας

- **Διατηρείτε το χώρο εργασίας καθαρό και με καλό φωτισμό.** Αν ο χώρος εργασίας δεν είναι τακτοποιημένος ή έχει κακό φωτισμό, μπορεί να προκληθεί ατύχημα.
- **Μην θέτετε σε λειτουργία το εργαλείο σε περιβάλλον όπου υπάρχει κίνδυνος έκρηξης, όπως σε μέρη όπου υπάρχουν εύφλεκτα υγρά, αέρια ή σκόνη.** Ο εξοπλισμός δημιουργεί σπινθήρες οι οποίοι ενδέχεται να προκαλέσουν ανάφλεξη της σκόνης ή των αναθυμιάσεων.
- **Κρατήστε τα παιδιά και τους μη μετέχοντες στην εργασία σε απόσταση, όταν χειρίζεστε οποιοδήποτε εργαλείο.** Αν υπάρχουν περισπασμοί μπορεί να χάσετε τον έλεγχο του εργαλείου.

Ηλεκτρική ασφάλεια

- **Αποφύγετε οποιαδήποτε σωματική επαφή με γειωμένες επιφάνειες, όπως σωλήνες, καλωδιώτες, ηλεκτρικές κουζίνες και ψυγεία.** Σε περίπτωση γείωσης του σώματός σας, υπάρχει αυξημένος κίνδυνος ηλεκτροπληξίας.
- **Μην εκθέτετε τον εξοπλισμό σε βροχή ή υγρασία.** Αν εισέλθει νερό στο εργαλείο, αυξάνεται ο κίνδυνος ηλεκτροπληξίας.

Σωματική ακεραιότητα

- **Να είστε σε ετοιμότητα και εγρήγορη, συγκεντρωμένοι και προσεκτικοί με τις ενέργειές σας και λειτουργείτε με γνώμονα την κοινή λογική κατά τη χρήση εξοπλισμού.** Μην χρησιμοποιείτε το εργαλείο αν νιώθετε κουρασμένοι ή είστε υπό την επήρεια ναρκωτικών ουσιών, αλκοόλ ή φαρμάκων. Μια στιγμή απροσεξίας κατά το χειρισμό του εργαλείου μπορεί να οδηγήσει σε σοβαρό τραυματισμό.
- **Χρησιμοποιείτε άτομο πρώτο προστατευτικό εξοπλισμό.** Να φοράτε πάντα ειδικά προστατευτικά γυαλιά. Ο εξοπλισμός προστασίας που χρησιμοποιείται σε τέτοιου είδους περιπτώσεις, όπως η μάσκα προστασίας από τη σκόνη, τα ειδικά υποδήματα ασφαλείας με αντιολισθητικές σόλες, το κράνος ή τα προστατευτικά αυτιών, περιορίζει τον κίνδυνο τραυματισμών.
- **Μην ταλαντώνεστε. Διατηρείτε πάντοτε σωστή, σταθερή στάση και ισορροπία.** Έτσι, ελέγχετε καλύτερα το ηλεκτρικό εργαλείο αν προκύψει κάτι απροσδόκητο.

Χρήση και φροντίδα του εργαλείου

- **Μην ασκείτε πίεση στον εξοπλισμό. Χρησιμοποιήστε το σωστό εργαλείο για την εκάστοτε εφαρμογή.** Χρησιμοποιώντας το σωστό εργαλείο, θα εκτελέσετε καλύτερα και ασφαλέστερα την εργασία σας και έτσι όπως έχει σχεδιαστεί.
- **Μην χρησιμοποιείτε τον εξοπλισμό εάν ο διακόπτης δεν μπορεί να το θέσει σε ή εκτός λειτουργίας.** Κάθε εργαλείο που δεν ελέγχεται από το διακόπτη είναι επικίνδυνο και πρέπει να επισκευάζεται.
- **Αποσυνδέτε τις μπαταρίες από τον εξοπλισμό προτού διενεργήσετε τυχόν ρυθμίσεις, αλλάξετε εξαρτήματα ή αποθηκεύσετε τον εξοπλισμό.** Αυτά τα προληπτικά μέτρα μειώνουν τον κίνδυνο τραυματισμού.
- **Φυλάξτε τον ανενεργό εξοπλισμό μακριά από παιδιά και μην αφήνετε άτομα που δεν είναι εξοικειωμένα με τον εξοπλισμό ή τις παρούσες οδηγίες να χειριστούν τον εξοπλισμό.** Ο εξοπλισμός είναι επικίνδυνος σε χέρια ανειδίκευτων χρηστών.

- **Να πραγματοποιείτε συντήρηση του εξοπλισμού.** Ελέγξτε για μη ευθυγραμμισμένα ή μπλοκαρισμένα κινούμενα εξαρτήματα, εξαρτήματα που λείπουν ή φθαρμένα εξαρτήματα, και για κάθε άλλη κατάσταση που μπορεί να επηρεάσει τη λειτουργία του εργαλείου. Αν υπάρχουν φθορές, δώστε το εργαλείο για επισκευή πριν το χρησιμοποιήσετε. Πολλά ατυχήματα προκαλούνται από κακή συντήρηση του εργαλείου.
- **Χρησιμοποιείτε το εργαλείο και τα εξαρτήματά του σύμφωνα με τις παρούσες οδηγίες, λαμβάνοντας υπόψη τις συνθήκες εργασίας και την εργασία προς εκτέλεση.** Η χρήση του εξοπλισμού σε λειτουργίες διαφορετικές από εκείνες για τις οποίες προορίζεται μπορεί να οδηγήσει σε επικίνδυνες καταστάσεις.
- **Για τον εξοπλισμό σας, χρησιμοποιήστε αποκλειστικά εξαρτήματα που συνιστώνται από τον κατασκευαστή.** Εξαρτήματα που είναι κατάλληλα για κάποιο εξοπλισμό, μπορεί να είναι επικίνδυνα όταν χρησιμοποιούνται με άλλον εξοπλισμό.
- **Διατηρείτε τις λαβές στεγνές και καθαρές, χωρίς λάδια και γράσα.** Επιτρέπεται έτσι ο καλύτερος έλεγχος του εξοπλισμού.

Σέρβις

- **Παραδώστε τον εξοπλισμό για εργασίες σέρβις σε κάποια πιστοποιημένη αντιπροσωπεία σέρβις, η οποία χρησιμοποιεί μόνο παμοιότυπα ανταλλακτικά.** Έτσι, το εργαλείο παραμένει ασφαλές.

Ειδικές πληροφορίες για την ασφάλεια

⚠ ΠΡΟΕΙΔΟΠΟΙΗΣΗ

Η παρούσα ενότητα περιλαμβάνει σημαντικές πληροφορίες ασφαλείας ειδικά για το συγκεκριμένο εργαλείο.

Διαβάστε προσεκτικά αυτές τις προφυλάξεις πριν χρησιμοποιήσετε το θερμόμετρο υπερύθρων άνευ επαφής micro IR-200 της RIDGID®, για να μειώσετε τον κίνδυνο φωτιάς, έκρηξης ή άλλου σοβαρού τραυματισμού.

ΦΥΛΑΞΤΕ ΑΥΤΕΣ ΤΙΣ ΟΔΗΓΙΕΣ!

Φυλάσσετε αυτό το εγχειρίδιο μαζί με το εργαλείο, ώστε να μπορεί να χρησιμοποιηθεί από τον χειριστή.

Ασφάλεια Θερμομέτρου Υπερύθρων

- **Μην κοιτάτε απευθείας μέσα στη δέσμη laser.** Κάτι τέτοιο μπορεί να αποβεί επικίνδυνο για τα μάτια. Μην κοιτάτε το laser με οπτικά βοηθήματα (π.χ με κιάλια ή τηλεσκόπια).
- **Μην κατευθύνετε τη δέσμη laser προς άλλα άτομα.** Βεβαιωθείτε ότι στοχεύετε με τη δέσμη laser πάνω ή κάτω από το επίπεδο των ματιών. Οι δέσμες laser ενδέχεται να είναι επικίνδυνες για τα μάτια.
- **Μην χρησιμοποιείτε αυτή τη συσκευή με κανένα τρόπο για προσωπικό έλεγχο ή για ιατρική χρήση.** Δεν πρόκειται για ιατρική συσκευή. Κάτι τέτοιο θα μπορούσε να προκαλέσει σωματική βλάβη.
- **Όταν εργάζεστε κοντά σε ηλεκτρικά, κινούμενα ή καυτά εξαρτήματα, λάβετε κατάλληλα μέτρα προστασίας.** Εάν εργάζεστε πολύ κοντά σε τέτοιου είδους εξαρτήματα υπάρχει κίνδυνος ηλεκτροπληξίας, εγκαυμάτων και άλλου σοβαρού τραυματισμού. Μπορεί να απαιτείται η χρήση προστατευτικού εξοπλισμού.

⚠ ΠΡΟΣΟΧΗ Η χρήση χειριστηρίων ή ρυθμίσεων, ή η εκτέλεση διαδικασιών εκτός αυτών που προδιορίζονται εδώ ενδέχεται να έχει ως αποτέλεσμα επικίνδυνη έκθεση σε ακτινοβολία.

Εάν έχετε οποιαδήποτε απορία σχετικά με το παρόν προϊόν RIDGID®:

- Επικοινωνήστε με τον τοπικό διανομέα RIDGID.
- Επισκεφθείτε τη διεύθυνση RIDGID.com για να βρείτε το πλησιέστερο σημείο επικοινωνίας της RIDGID στην περιοχή σας.
- Επικοινωνήστε με το Τμήμα Σέρβις της Ridge Tool στην ηλεκτρονική διεύθυνση rtctechservices@emerson.com ή για ΗΠΑ και Καναδά καλέστε στο (800) 519-3456.

Περιγραφή, τεχνικά χαρακτηριστικά και βασικός εξοπλισμός

Περιγραφή

Το θερμόμετρο υπερύθρων άνευ επαφής micro IR-200 της RIDGID® σας εξασφαλίζει απλές, γρήγορες και ακριβείς μετρήσεις θερμοκρασίας επιφανειών με το πάτημα ενός πλήκτρου. Αρκεί να πατήσετε τη

σκανδάλη και να κατευθύνετε το προηγμένο διπλό λέιζερ στόχευσης Κλάσης II προς την επιφάνεια στην οποία θέλετε να μετρήσετε τη θερμοκρασία. Το micro IR-200 θα εμφανίσει άμεσα τη θερμοκρασία σε μία καθαρή, ευανάγνωστη φωτιζόμενη οθόνη LCD. Εκτός από πολλές άλλες χρήσεις, αυτό το ανθεκτικό, συμπαγές όργανο επιτρέπει στους επαγγελματίες τεχνίτες τη διάγνωση προβλημάτων θέρμανσης ή εξαιρισμού, την προληπτική παρακολούθηση ηλεκτρικών κινητήρων και συστημάτων, τη διόρθωση παγίδων ατμού και το γρήγορο έλεγχο ασφαλειών ή ασφαλειοδιακοπών για υπερθέρμανση χωρίς να απαιτείται επαφή.

Το micro IR-200 χρησιμοποιεί τεχνολογία οπτικής για την ανίχνευση εκπνεύμενης, ανακλώμενης και μεταδιδόμενης ενέργειας, η οποία συλλέγεται και εστιάζεται σε έναν ανιχνευτή. Το ηλεκτρονικό σύστημα της μονάδας μετατρέπει τις πληροφορίες σε ενδείξεις θερμοκρασίας, οι οποίες εμφανίζονται στην οθόνη. Τα λέιζερ βοηθούν στη στόχευση.

Τεχνικά χαρακτηριστικά

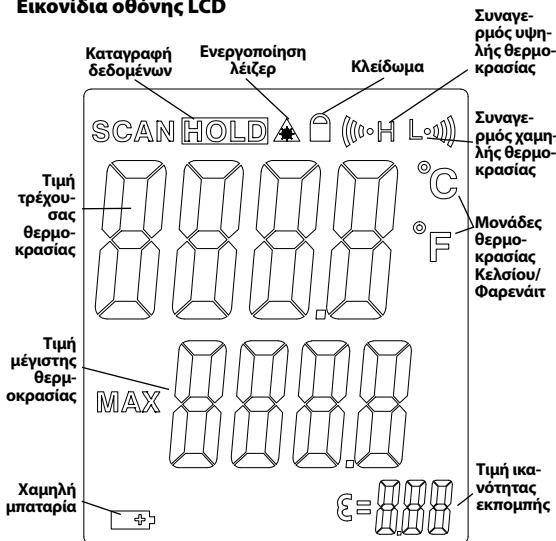
Εύρος θερμοκρασίας.....	-58°F έως 2192°F (-50°C έως 1200°C)
Λόγος απόστασης προς σημείο.....	30 έως 1
Ακρίβεια μέτρησης.....	-58°F ~68°F (50°C ~20°C): ±4,5°F (2,5°C) 68°F ~1472°F (20°C ~800°C) ±1,0% ή ±1.8°F (1,0°C)
Επαναληψιμότητα.....	-58°F ~68°F (50°C ~20°C): ±2,3°F (1,3°C) 68°F ~1472°F (20°C ~800°C) ±0,5% ή ±0.9°F (0,5°C)
Χρόνος απόκρισης.....	150ms
Φασματική απόκριση.....	8~14um
Ικανότητα εκπομπής.....	Ρυθμιζόμενος, 0,10 - 1,00
Ενδειξη εκτός εύρους.....	Στην LCD θα εμφανιστεί η ένδειξη “----”
Διοδικό λέιζερ.....	Έξοδος<1mW, Μήκος κύματος 630~670nm, Προϊόν laser Κλάσης 2
Ενδείξεις θερμοκρασίας.....	Τρέχουσα θερμοκρασία, MEΓ. θερμοκρασία
Μονάδες μέτρησης.....	Φαρενάιτ, Κελσίου
Θερμοκρασία λειτουργίας.....	32°F έως 122°F (0°C έως 50°C)
Θερμοκρασία φύλαξης.....	14°F έως 140°F (-10°C έως 60°C)
Ανάλυση οθόνης.....	0.1°F (0,1°C)
Σχετική υγρασία.....	10%~90% σχετική υγρ. λειτουργίας, <80% σχετική υγρ. φύλαξης
Μπαταρίες.....	Μπαταρία 9V (1), NEDA 1604A ή IEC 6LR61, ή ισοδύναμη
Βαθμός προστασίας IP.....	IP54
Βάρος.....	0.6 λίρες (0,3 κιλά)

Εξαρτήματα

- Λειτουργία ταχείας ανίχνευσης
- Διπλό λέιζερ στόχευσης Κλάσης II
- Αυτόματη καταγραφή δεδομένων
- Ενδείξεις ΜΕΓ. θερμοκρασίας
- Ακριβείς μετρήσεις χωρίς να απαιτείται επαφή
- Αυτόματη επιλογή εύρους και ανάλυση οθόνης 0.1°F (0,1°C)
- Φωτιζόμενη οθόνη LCD
- Κλειδίωμα σκανδάλης
- Ρύθμιση συναγερμών υψηλής και χαμηλής θερμοκρασίας
- Ρυθμιζόμενη ικανότητα εκπομπής

**Εικόνα 1 –micro IR-200 Θερμόμετρο υπερύθρων άνευ επαφής****Χαρακτηριστικά****Εικόνα 2 – Εξαρτήματα του micro IR-200**

Εικονίδια οθόνης LCD



Εικόνα 3 - Εικονίδια οθόνης του micro IR-200

Βασικός εξοπλισμός

- micro IR-200
- Θήκη μεταφοράς
- Μπαταρία 1 x 9V
- Εγχειρίδιο χειρισμού

ΕΠΙΣΗΜΑΝΣΗ Αυτό το όργανο χρησιμοποιείται για μέτρηση θερμοκρασιών. Εσφαλμένη χρήση ή ακατάλληλη εφαρμογή ενδέχεται να έχει ως αποτέλεσμα εσφαλμένες ή ανακριβείς μετρήσεις. Η επιλογή κατάλληλων μεθόδων μέτρησης για τις εκάστοτε συνθήκες είναι ευθύνη του χρήστη.

Ταξινόμηση Laser



Το micro IR-200 της RIDGID παράγει μια ορατή δέσμη laser που εκπέμπεται από το μπροστινό μέρος της συσκευής.

Η συσκευή συμμορφώνεται με τα laser Κλάσης 2 σύμφωνα με το πρότυπο: IEC 60825-1:2007

Δήλωση συμμόρφωσης με την Ομοσπονδιακή Επιτροπή Επικοινωνιών (FCC)

Ο παρόν εξοπλισμός έχει δοκιμαστεί και έχει διαπιστωθεί ότι συμμορφώνεται με τα όρια των ψηφιακών συσκευών Κλάσης Β, σύμφωνα με την ενότητα 15 των κανόνων της FCC. Τα εν λόγω όρια είναι σχεδιασμένα ώστε να παρέχεται εύλογη προστασία από επιβλαβείς παρεμβολές σε μια οικιακή εγκατάσταση.

Ο παρόν εξοπλισμός παράγει, χρησιμοποιεί και μπορεί να εκπέμπει ενέργεια ραδιοσυχνότητας και, εάν δεν έχει εγκατασταθεί και δεν χρησιμοποιείται σύμφωνα με τις οδηγίες, μπορεί να προκαλέσει επιβλαβείς παρεμβολές στις ραδιοεπικοινωνίες.

Ωστόσο, δεν διασφαλίζεται ότι δεν θα υπάρξει παρεμβολή σε μια συγκεκριμένη εγκατάσταση.

Εάν αυτός ο εξοπλισμός προκαλέσει επιβλαβείς παρεμβολές στη ραδιοφωνική ή τηλεοπτική λήψη, γεγονός το οποίο μπορεί να διαπιστωθεί απενεργοποιώντας και ενεργοποιώντας ξανά τον εξοπλισμό, ο χρήστης ενθαρρύνεται να δοκιμάσει να επιδιορθώσει την παρεμβολή, λαμβάνοντας ένα ή περισσότερα από τα παρακάτω μέτρα:

- Να επαναπροσανατολίσει ή να αλλάξει θέση στην κεραία λήψης.
- Να αυξήσει την απόσταση μεταξύ του εξοπλισμού και του δέκτη.
- Να επικοινωνήσει με τον τοπικό διανομέα ή έναν έμπειρο τεχνικό ραδιοφώνων/τηλεοράσεων για βοήθεια.

Ηλεκτρομαγνητική συμβατότητα (EMC)


Με τον όρο ηλεκτρομαγνητική συμβατότητα ορίζουμε την ικανότητα του προϊόντος να λειτουργεί ικανοποιητικά σε περιβάλλον ηλεκτρομαγνητικής ακτινοβολίας και ηλεκτροστατικών εκφορτίσεων χωρίς να προκαλεί ηλεκτρομαγνητικές παρεμβολές σε άλλο εξοπλισμό.

ΕΠΙΣΗΜΑΝΣΗ Το micro IR-200 της RIDGID συμμορφώνεται με όλα τα ισχύοντα πρότυπα περί ηλεκτρομαγνητικής συμβατότητας (EMC). Παρ' όλα αυτά, η πιθανότητα να προκαλέσει παρεμβολές σε άλλες συσκευές δεν μπορεί να αποκλεισθεί.



Εικόνα 4 - Αφαίρεση της θήκης της μπαταρίας

Αλλαγή/Τοποθέτηση μπαταριών

Το micro IR-200 παρέχεται με τοποθετημένη μπαταρία. Εάν η ενδεικτική λυχνία της μπαταρίας (Εικόνα 3) εμφανίζει το εικονίδιο , η

μπαταρία χρειάζεται αντικατάσταση. Αφαιρέστε τη μπαταρία πριν από παρατεταμένη αποθήκευση για να αποφευχθεί το ενδεχόμενο διαρροής της μπαταρίας.

1. Πιέστε τα κλιπ της μπαταρίας και αφαιρέστε τη θήκη της μπαταρίας από το θερμόμετρο (Εικόνα 4). Αν χρειάζεται, αφαιρέστε τη μπαταρία.
2. Τοποθετήστε μία αλκαλική μπαταρία 9V (6LR61) φροντίζοντας να μην αντιστρέψετε την πολικότητα, όπως υποδεικνύεται στη θήκη των μπαταριών.



Εικόνα 5 - Βάση μπαταρίας και πολικότητα

3. Πιέστε τα κλιπ και τοποθετήστε καλά τη μπαταρία στο θερμόμετρο. Η βάση της μπαταρίας τοποθετείται μόνο με έναν τρόπο. Μην την πιέζετε περισσότερο από όσο χρειάζεται. Βεβαιωθείτε ότι έχει εφαρμόσει καλά.

Έλεγχος πριν από τη λειτουργία

ΠΡΟΕΙΔΟΠΟΙΗΣΗ

Πριν από κάθε χρήση, ελέγξτε το θερμόμετρο υπερέυθρων και διορθώστε τυχόν προβλήματα για να μειώσετε τον κίνδυνο τραυματισμού ή εσφαλμένων μετρήσεων.

Μην κοιτάτε απευθείας μέσα στη δέσμη laser. Κάτι τέτοιο μπορεί να αποβεί επικίνδυνο για τα μάτια.

- Καθαρίστε κάθε ίχνος από λάδια, γράσα ή ακαθαρσίες από τη συσκευή. Έτσι διευκολύνεται ο έλεγχος.
- Ελέγξτε το micro IR-200 για σπασμένα, φθαρμένα, απόντα, μη ευθυγραμμισμένα ή μπλοκαρισμένα εξαρτήματα, ή για οποιαδήποτε άλλη κατάσταση που μπορεί να εμποδίσει την ασφαλή και ομαλή λειτουργία του.
- Βεβαιωθείτε ότι υπάρχουν όλες οι ετικέτες προειδοποίησης και ότι είναι σταθερά επικολλημένες και ευανάγνωστες (Εικόνα 6).
- Σε περίπτωση που προκύψουν προβλήματα κατά τον έλεγχο, μην χρησιμοποιήσετε το θερμόμετρο υπερύθρων μέχρι να δεχτεί το κατάλληλο σέρβις.
- Ακολουθώντας τις Οδηγίες Λειτουργίας, ενεργοποιήστε το θερμόμετρο υπερύθρων, πραγματοποιήστε μία μέτρηση και επιβεβαιώστε την ίδια μέτρηση με άλλο όργανο (θερμόμετρο επαφής, κ.λπ.). Εάν η συσχέτιση μεταξύ των μετρήσεων δεν είναι αποδεκτή, μην χρησιμοποιήσετε το θερμόμετρο υπερύθρων μέχρι να υποβληθεί σε κατάλληλο σέρβις.



Εικόνα 6 – Προειδοποιητικές ετικέτες



Ρύθμιση και λειτουργία

⚠ ΠΡΟΕΙΔΟΠΟΙΗΣΗ



Μην κοιτάτε απευθείας μέσα στη δέσμη laser. Κάτι τέτοιο μπορεί να αποβεί επικίνδυνο για τα μάτια. Μην κοιτάτε το laser με οπτικά βοηθήματα (π.χ με κιάλια ή τηλεσκόπια).

Μην κατευθύνετε τη δέσμη laser προς άλλα άτομα. Βεβαιωθείτε ότι στοχεύετε με τη δέσμη laser πάνω ή κάτω από το επίπεδο των ματιών. Οι δέσμες laser ενδέχεται να είναι επικίνδυνες για τα μάτια.

Όταν εργάζεστε κοντά σε ηλεκτρικά, κινούμενα ή καυτά εξαρτήματα, λάβετε κατάλληλα μέτρα προστασίας. Εάν εργάζεστε πολύ κοντά σε τέτοιου είδους εξαρτήματα υπάρχει κίνδυνος ηλεκτροπληξίας, εγκαυμάτων και άλλου σοβαρού τραυματισμού. Μπορεί να απαιτείται η χρήση προστατευτικού εξοπλισμού.

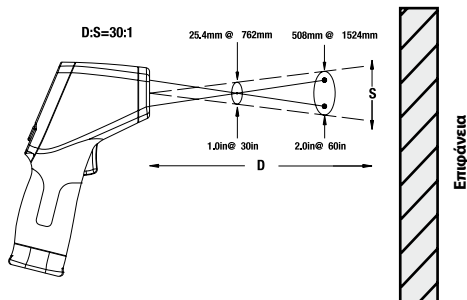
Ρυθμίστε και χρησιμοποιήστε το θερμόμετρο υπερύθρων σύμφωνα με αυτές τις διαδικασίες για να μειωθεί ο κίνδυνος τραυματισμού ή εσφαλμένων μετρήσεων.

Ρύθμιση

- Ελέγξτε την καταλληλότητα της περιοχής εργασίας όπως αναφέρεται στην *ενότητα Γενική ασφάλεια*.
- Επιθεωρήστε το αντικείμενο που πρόκειται να μετρηθεί και επιβεβαιώστε ότι διαθέτετε το σωστό εξοπλισμό για τη συγκεκριμένη εφαρμογή. *Ανατρέξτε στην ενότητα Τεχνικά χαρακτηριστικά* για στοιχεία που αφορούν την εμβέλεια, την ακρίβεια και άλλες πληροφορίες.

Η ακρίβεια του micro IR-200 μπορεί να επηρεαστεί από διάφορους παράγοντες, όπως:

Πεδίο ορατότητας – Το micro IR-200 χρησιμοποιεί δύο λέιζερ για να προβάλει σημεία σε οποιαδήποτε πλευρά της περιοχής που πρόκειται να μετρήσετε. Τα σημεία αυτά υποδεικνύουν την κατά προσέγγιση διάμετρο της περιοχής (το “Σημείο”) στην οποία πρόκειται να μετρήσετε τη θερμοκρασία. Καθώς το micro IR-200 απομακρύνεται (D) από την επιφάνεια, η περιοχή αυτή και το μέγεθος του σημείου (S) αυξάνεται. Η περιοχή έχει μέγεθος περίπου $\frac{1}{30}$ φορές την απόσταση προς την επιφάνεια. (Βλ. Εικόνα 7.)



Εικόνα 7 – Πεδίο ορατότητας

Το σημείο πρέπει να είναι πάντοτε μικρότερο από την επιφάνεια. Όσο μικρότερη είναι η επιφάνεια, τόσο πλησιέστερα στην επιφάνεια πρέπει να βρίσκεται το micro IR-200. Για βέλτιστη ακρίβεια, η επιφάνεια πρέπει να είναι δύο φορές μεγαλύτερη από το μέγεθος του σημείου.

Ικανότητα εκπομπής– Ικανότητα εκπομπής είναι ένας όρος που χρησιμοποιείται για να περιγράψει τα χαρακτηριστικά εκπομπής ενέργειας των υλικών και έχει τιμή από 0 έως 1. Η συσκευή micro IR-200 επιτρέπει ρύθμιση της τιμής της ικανότητας εκπομπής από

0,10 έως 1,00 για τον υπολογισμό θερμοκρασιών. Αν είναι άγνωστη η τιμή της ικανότητας εκπομπής για μια επιφάνεια, μια τιμή 0,95 μπορεί να είναι κατάλληλη για πολλές εφαρμογές, όπως οι βαμμένες επιφάνειες. Τιμές ικανότητας εκπομπής για κοινά υλικά περιλαμβάνονται στην Εικόνα 8.

Υλικό	Ικανότητα εκπομπής	Υλικό	Ικανότητα εκπομπής
Αλουμίνιο, γυαλισμένο	0,05	Βαφή	0,95
Άσφαλτος	0,88	Χαρτί, λευκό	0,90
Τούβλο	0,90	Γύψος, τραχύς	0,89
Σκυρόδεμα, τραχύ	0,91	Λάστιχο	0,93
Χαλκός, γυαλισμένος	0,04	Χάλυβας, γαλβανισμένος	0,28
Γυαλί	0,95	Χάλυβας, οξειδωμένος	0,88
Ασβεστόλιθος	0,92	Νερό	0,96
Μάρμαρο, γυαλισμένο	0,90		

Εικόνα 8 – Τιμές ικανότητας εκπομπής κοινών υλικών

Θερμοκρασία – Παρότι το micro IR-200 αντισταθμίζει διακυμάνσεις της θερμοκρασίας περιβάλλοντος, μεγάλες αλλαγές στη θερμοκρασία περιβάλλοντος και τη θερμοκρασία μέτρησης μπορούν να μειώσουν την ακρίβεια. Όταν υπάρχουν μεγάλες διακυμάνσεις στη θερμοκρασία περιβάλλοντος (πάνω από 30°F ή 17°C), αφήστε το micro IR-200 δεκαπέντε λεπτά να προσαρμοστεί για βέλτιστη ακρίβεια.

Εμπόδια – Η ύπαρξη ατμού, σκόνης, καπνού και άλλων εμποδίων όπως γυαλί ή πλαστικό ανάμεσα στο micro IR-200 και την επιφάνεια στην οποία πραγματοποιείται η μέτρηση μπορεί να μειώσει την ακρίβεια. Τα στοιχεία αυτά παρεμποδίζουν το σύστημα οπτικής του οργάνου ή δίνουν εσφαλμένες μετρήσεις (μετράται η θερμοκρασία του γυαλιού και όχι η θερμοκρασία της επιφάνειας). Μην χρησιμοποιείτε το όργανο εάν υπάρχουν εμπόδια.

- Βεβαιωθείτε ότι ελέγξατε σχολαστικά το σύνολο του εξοπλισμού.

Λειτουργία

Ενεργοποίηση και Απενεργοποίηση (Πραγματοποίηση μετρήσεων)

1. Κρατήστε το micro IR-200 από τη χειρολαβή και κατευθύνετε το προς την επιφάνεια που θέλετε να μετρήσετε. Φροντίστε να μην βρίσκεστε κοντά σε ηλεκτρικά, κινούμενα ή καυτά εξαρτήματα. Βεβαιωθείτε ότι η μονάδα είναι στραμμένη προς ασφαλή κατεύθυνση πριν την ενεργοποίησή σας.
2. Πιέστε τη σκανδάλη για να ενεργοποιήσετε το micro IR-200. Πατώντας τη σκανδάλη, στην οθόνη θα εμφανιστεί το εικονίδιο SCAN (Σάρωση), και το micro IR-200 θα ενημερώνει διαρκώς την εμφανιζόμενη τρέχουσα θερμοκρασία και θα εμφανίζει τη μέγιστη θερμοκρασία από τη στιγμή που ενεργοποιήθηκε η μονάδα.

Μπορείτε να μετακινήσετε το micro IR-200 αργά πάνω στην επιφάνεια για να εντοπίσετε θερμές ή ψυχρές περιοχές. *Βλ. τις ενότητες Συναγερμοί υψηλής θερμοκρασίας και Συναγερμοί χαμηλής θερμοκρασίας για πληροφορίες σχετικά με τις ρυθμίσεις αυτών των συναγερμών.*

3. Όταν αφήσετε τη σκανδάλη, θα εμφανιστεί το εικονίδιο HOLD. Το micro IR-200 θα απενεργοποιηθεί αυτόματα μετά από επτά δευτερόλεπτα εκτός εάν το όργανο βρίσκεται σε λειτουργία συνεχούς μέτρησης.

Χειριστήρια micro IR-200



Εικόνα 9 – Οθόνη/Κουμπιά του micro IR-200

Λειτουργία μέτρησης (Σάρωση)

Το micro IR-200 μπορεί να κλειδωθεί στη θέση ενεργοποίησης, ώστε να πραγματοποιεί μετρήσεις χωρίς να κρατάτε τη σκανδάλη. Βεβαιωθείτε ότι η μονάδα είναι στραμμένη προς ασφαλή κατεύθυνση πριν την ενεργοποίησή σας. Ενεργοποιήστε το micro IR-200 πατώντας και κρατώντας πατημένη τη σκανδάλη. Κρατώντας τη σκανδάλη, πατήστε και αφήστε το κουμπι μενού. Θα εμφανιστούν τα εικονίδια SCAN και Lock. Αφήστε τη σκανδάλη, και το micro IR-200 θα ενημερώνει διαρκώς τη μετρούμενη θερμοκρασία μέχρι να πατήσετε και να αφήσετε τη σκανδάλη ξανά.

Ενεργοποίηση/Απενεργοποίηση Λέιζερ

Εάν χρειάζεται, τα λέιζερ που χρησιμοποιούνται για στόχευση μπορούν να απενεργοποιηθούν για εξοικονόμηση της μπαταρίας. Σ' αυτή την περίπτωση, πρέπει να είστε πιο προσεκτικοί κατά τη στόχευση με το micro IR-200 για να εξασφαλίσετε ακριβείς ενδείξεις. Για να ενεργοποιήσετε ή να απενεργοποιήσετε τα λέιζερ ενόσω πατάτε τη σκανδάλη, πατήστε και αφήστε το κουμπί ενεργοποίησης λέιζερ. Όταν το λέιζερ είναι ενεργοποιημένο θα εμφανίζεται το εικονίδιο ενεργοποίησης λέιζερ.

Οπίσθιος φωτισμός

Το micro IR-200 διαθέτει φωτιζόμενη οθόνη για να μπορεί να χρησιμοποιηθεί σε περιοχές με χαμηλό φωτισμό. Για να ενεργοποιήσετε ή να απενεργοποιήσετε τον οπίσθιο φωτισμό της οθόνης, με το όργανο ενεργοποιημένο, πατήστε το κουμπί οπίσθιου φωτισμού.

Χρήση κουμπιού Μενού

Αφού πατήσετε τη σκανδάλη, πατώντας και αφήνοντας το κουμπί μενού θα μπορείτε να κινηθείτε κυκλικά στις εξής ρυθμίσεις με την αναφερόμενη σειρά: Συναγερμός υψηλής τιμής ON/OFF, Ρύθμιση θερμοκρασίας συναγερμού υψηλής τιμής, Συναγερμός χαμηλής τιμής ON/OFF, Ρύθμιση θερμοκρασίας συναγερμού χαμηλής τιμής, Μονάδες ένδειξης θερμοκρασίας, Ικανότητα εκπομπής.

Συναγερμός υψηλής θερμοκρασίας

Ο συναγερμός υψηλής θερμοκρασίας θα σας προειδοποιήσει ηχητικά όταν η τρέχουσα θερμοκρασία υπερβεί ένα προρυθμισμένο όριο. Για να ενεργοποιήσετε το συναγερμό υψηλής θερμοκρασίας, πατήστε και αφήστε τη σκανδάλη και στη συνέχεια πατήστε και αφήστε το κουμπί μενού έως ότου το εικονίδιο συναγερμού υψηλής θερμοκρασίας αρχίσει να αναβοσβήνει. Χρησιμοποιήστε τα κουμπιά πάνω/κάτω για να ενεργοποιήσετε/απενεργοποιήσετε το συναγερμό υψηλής θερμοκρασίας όπως υποδεικνύεται στη γραμμή που εμφανίζεται η τρέχουσα

θερμοκρασία. Πατήστε και αφήστε ξανά το κουμπί μενού. Το εικονίδιο συναγερμού υψηλής θερμοκρασίας θα συνεχίσει να αναβοσβήνει και θα εμφανιστεί η θερμοκρασία που ενεργοποίησε το συναγερμό υψηλής θερμοκρασίας. Χρησιμοποιήστε τα κουμπιά πάνω/κάτω για να αλλάξετε τη θερμοκρασία συναγερμού υψηλής θερμοκρασίας όπως επιθυμείτε. Πατήστε τη σκανδάλη για να βγείτε από τις Ρυθμίσεις και να αποθηκεύσετε την επιλογή σας.

Συναγερμός χαμηλής θερμοκρασίας

Ο συναγερμός χαμηλής θερμοκρασίας θα σας προειδοποιήσει ηχητικά όταν η τρέχουσα θερμοκρασία πέσει κάτω από ένα προρυθμισμένο όριο. Για να ενεργοποιήσετε το συναγερμό χαμηλής θερμοκρασίας, πατήστε και αφήστε τη σκανδάλη και στη συνέχεια πατήστε και αφήστε το κουμπί μενού έως ότου το εικονίδιο συναγερμού χαμηλής θερμοκρασίας αρχίσει να αναβοσβήνει. Χρησιμοποιήστε τα κουμπιά πάνω/κάτω για να ενεργοποιήσετε/απενεργοποιήσετε το συναγερμό χαμηλής θερμοκρασίας όπως υποδεικνύεται στη γραμμή που εμφανίζεται η τρέχουσα θερμοκρασία. Πατήστε και αφήστε ξανά το κουμπί μενού. Το εικονίδιο συναγερμού χαμηλής θερμοκρασίας θα συνεχίσει να αναβοσβήνει και θα εμφανιστεί η θερμοκρασία που ενεργοποίησε το συναγερμό χαμηλής θερμοκρασίας. Χρησιμοποιήστε τα κουμπιά πάνω/κάτω για να αλλάξετε τη θερμοκρασία συναγερμού χαμηλής θερμοκρασίας όπως επιθυμείτε. Πατήστε τη σκανδάλη για να βγείτε από τις Ρυθμίσεις και να αποθηκεύσετε την επιλογή σας.

Μονάδες εμφάνισης θερμοκρασίας - °C/°F

Το micro IR-200 μπορεί να εμφανίσει θερμοκρασίες είτε σε βαθμούς Κελσίου (C) είτε σε βαθμούς Φαρενάιτ (F). Για να αλλάξετε την μονάδα που θέλετε να εμφανίζεται, πατήστε και αφήστε τη σκανδάλη και στη συνέχεια πατήστε και αφήστε το κουμπί μενού μέχρι να αρχίσει να αναβοσβήνει η μονάδα θερμοκρασίας. Χρησιμοποιήστε τα κουμπιά πάνω/κάτω για να επιλέξετε τη μονάδα θερμοκρασίας που επιθυμείτε: C ή F. Πατήστε τη σκανδάλη για να βγείτε από τις Ρυθμίσεις και να αποθηκεύσετε την επιλογή σας.

Ικανότητα εκπομπής

Η τιμή της ικανότητας εκπομπής μπορεί να ρυθμιστεί από 0,10 έως 1,00. Δείτε την ενότητα Εγκατάσταση για να προσδιορίσετε μια κατάλληλη τιμή για τη δική σας εφαρμογή. Για να προσαρμόσετε αυτή την τιμή, πατήστε και αφήστε τη σκανδάλη και κατόπιν πατήστε και αφήστε το κουμπί μενού έως ότου αναβοσβήνει στην οθόνη η τιμή της ικανότητας εκπομπής. Χρησιμοποιήστε τα κουμπιά πάνω/κάτω για να αυξήσετε ή να μειώσετε την τιμή της ικανότητας εκπομπής. Πατήστε τη σκανδάλη για να βγείτε από τις Ρυθμίσεις και να αποθηκεύσετε την επιλογή σας.

Καθαρισμός

Μην εμβαπτίζετε το θερμόμετρο υπερύθρων micro IR-200 της RIDGID σε νερό. Σκουπίστε τις ακαθαρσίες με ένα μαλακό υγρό πανί. Μην χρησιμοποιείτε ισχυρά καθαριστικά ή διαλύματα καθαρισμού. Φροντίζετε τη συσκευή όπως θα φροντίζατε ένα τηλεσκόπιο ή μία φωτογραφική μηχανή.

Φύλαξη

Το θερμόμετρο υπερύθρων micro IR-200 της RIDGID πρέπει να φυλάσσεται σε ξηρό χώρο με θερμοκρασία μεταξύ 14°F (-10°C) και 140°F (60°C).

Φυλάξτε τη συσκευή σε κλειδωμένο χώρο, όπου δεν έχουν πρόσβαση παιδιά και άτομα μη εξοικειωμένα με τη χρήση του micro IR-200.

Αφαιρέστε τη μπαταρία πριν φυλάξετε τη συσκευή για μεγάλο χρονικό διάστημα ή πριν από αποστολή, για να αποφύγετε τη διαρροή της μπαταρίας.

Σέρβις και επισκευή

⚠ ΠΡΟΕΙΔΟΠΟΙΗΣΗ

Το ακατάλληλο σέρβις ή επισκευή μπορεί να καταστήσει το θερμόμετρο υπερύθρων micro IR-100 της RIDGID μη ασφαλές για λειτουργία.

Το σέρβις και η επισκευή του micro IR-200 πρέπει να διενεργείται από ανεξάρτητο εξουσιοδοτημένο κέντρο σέρβις της RIDGID.

Για πληροφορίες σχετικά με το πλησιέστερο ανεξάρτητο εξουσιοδοτημένο κέντρο σέρβις της RIDGID στην περιοχή σας, ή για απορίες σχετικά με το σέρβις ή τις επισκευές:

- Επικοινωνήστε με τον τοπικό διανομέα RIDGID.
- Επισκεφθείτε τον ιστότοπο RIDGID.com για να βρείτε το τοπικό σας σημείο επικοινωνίας Ridge Tool.
- Επικοινωνήστε με το Τμήμα Σέρβις της Ridge Tool στην ηλεκτρονική διεύθυνση rtctechservices@emerson.com ή για ΗΠΑ και Καναδά καλέστε στο (800) 519-3456.

Απορριψη

Ορισμένα εξαρτήματα του θερμόμετρου υπερύθρων άνευ επαφής micro IR-200 της RIDGID περιέχουν πολύτιμα υλικά και μπορούν να ανακυκλωθούν. Εταιρείες ανακύκλωσης υπάρχουν και κατά τόπους. Απορρίψτε τα εξαρτήματα σύμφωνα με όλους τους ισχύοντες κανονισμούς. Επικοινωνήστε με την υπηρεσία διαχείρισης απορριμμάτων της περιοχής σας για περισσότερες πληροφορίες.



Για χώρες της ΕΚ: Μην απορρίπτετε τον ηλεκτρικό εξοπλισμό με τα οικιακά απορρίμματα!

Σύμφωνα με την Ευρωπαϊκή Οδηγία 2012/19/EU για τα απόβλητα ηλεκτρικού και ηλεκτρονικού εξοπλισμού και την ενσωμάτωσή της στην τοπική νομοθεσία των χωρών, ο ηλεκτρικός εξοπλισμός που δεν μπορεί πλέον να χρησιμοποιηθεί πρέπει να συλλέγεται ξεχωριστά και να απορρίπτεται με τρόπο φιλικό προς το περιβάλλον.

Απορριψη μπαταριών

Για χώρες της ΕΚ: Ελαττωματικές ή χρησιμοποιημένες μπαταρίες πρέπει να ανακυκλώνονται σύμφωνα με την οδηγία 2012/19/EU.

mikro IR-200

mikro IR-200 Beskontaktni infracrveni termometar



⚠ UPOZORENJE

Pazljivo pročitajte ove upute prije uporabe alata. Nepoznavanje i nepridržavanje uputa iz ovog priručnika može za posljedicu imati strujni udar, požar i/ili teške tjelesne ozljede.

mikro IR-200 beskontaktni infracrveni termometar

U donji okvir upišite serijski broj s natpisne pločice proizvođača i sačuvajte ga za buduće potrebe.

Serijski
br.

Sadržaj

Obrazac za upisivanje serijskog broja stroja	237
Sigurnosni simboli	239
Opći sigurnosni propisi	240
Sigurnost radnog područja	240
Zaštita od struje	240
Osobna zaštita	240
Način uporabe i briga o opremi	240
Servis	241
Posebne sigurnosne informacije	241
Sigurnost infracrvenog termometra	241
Opis, tehnički podaci i standardna oprema	241
Opis	241
Tehnički podaci	242
Dijelovi	243
Ikone LCD-displeja	243
Standardna oprema	243
Klasifikacija lasera	244
Izjava FCC (Federal Communication Commission)	244
Elektromagnetska sukladnost (EMC)	244
Izmjena/Ugrađivanje baterija	244
Provjera prije rada	245
Namještanje i rad	246
Postava	246
Rad	247
Uključenje i isključenje (Mjerenja)	247
mikro IR-200 komande	247
Način rada kontinuiranog mjerenja (Pretraživanje)	248
Laser aktiviran/onemogućen	248
Pozadinsko osvjetljenje	248

Uporaba izborničkih tipki	248
Visok alarm	248
Nizak alarm	248
Prikaz jedinica temperature - °C/°F	248
Koeficijent emisije	249
Čišćenje	249
Pohrana	249
Servis i popravak	249
Odlaganje otpada	249
Odlaganje baterije	249
Izjava o sukladnosti EZ	Unutar stražnje korice
Jamstvo za vijek trajanja	Stražnji poklopac

*Prijevod originalnih uputa

Sigurnosni simboli

Sigurnosni znakovi i riječi upozorenja u ovom priručniku i na proizvodu ukazuju na važne informacije o sigurnosti. Ti sigurnosni znakovi i riječi upozorenja objašnjavaju se u ovom poglavlju.



Ovo je znak sigurnosnog upozorenja, koji upozorava na potencijalnu opasnost od tjelesnih ozljeda. Da biste spriječili tjelesne ozljede i smrtni ishod, pridržavajte se svih sigurnosnih poruka koje slijede ovaj znak.

⚠ OPASNOST

OPASNOST ukazuje na opasnu situaciju koja, ako se ne izbjegne, može rezultirati teškim ozljedama ili smrtnim ishodom.

⚠ UPOZORENJE

UPOZORENJE označava opasnu situaciju koja, ako se ne izbjegne, može rezultirati teškim ozljedama ili smrtnim ishodom.

⚠ OPREZ

OPREZ označava opasnu situaciju koja, ako se ne izbjegne, može rezultirati lakšim ili srednje teškim ozljedama.

NAPOMENA

NAPOMENA ukazuje na informacije vezane uz zaštitu imovine.



Ovaj znak vas upozorava da prije korištenja opreme pažljivo pročitate korisnički priručnik. Korisnički priručnik sadrži važne informacije o sigurnosti i ispravnom radu opreme.



Ovaj simbol znači da ovaj uređaj sadrži laser klase 2.



Ovaj simbol znači da ne gledate u lasersku zraku.



Ovaj simbol upozorava na prisutnost i opasnost od laserske zrake.

Opći sigurnosni propisi

⚠ UPOZORENJE

Pročitajte sva sigurnosna upozorenja i instrukcije. Nepoštovanje upozorenja i uputa može za posljedicu imati električni udar, požar i/ili tešku ozljedu.

SAČUVAJTE OVE UPUTE!

EC Izjava o sukladnosti (890-011-320.10) će biti poslana uz ovu uputu kao zasebna knjižica na zahtjev.

Sigurnost radnog područja

- **Održavajte radno područje čistim i dobro osvijetljenim.** Neuredna ili mračna područja pogoduju nezgodama.
- **Nemojte raditi s opremom u eksplozivnom okruženju, na primjer u blizini zapaljivih tekućina, plinova ili prašine.** Oprema može stvoriti iskre koje mogu zapaliti prašinu ili plinove.
- **Držite djecu i promatrače podalje dok radite s uređajem.** Ometanje vam može odvratiti pozornost i dovesti do gubitka kontrole.

Zaštita od struje

- **Izbjegavati tjelesni kontakt s uzemljenim površinama poput cijevi, radijatora, štednjaka i zamrzivača.** Ako je vaše tijelo uzemljeno postoji povećana opasnost od električnog udara.
- **Ne izlažite opremu padalinama ili mokrim uvjetima.** Voda koja uđe u opremu povećava rizik od električnog udara.

Osobna zaštita

- **Budite pripravní, koncentrirajte se na svoj posao i oslanjajte se na zdrav razum pri radu s opremom. Nemojte upotrebljavati opremu ako ste umorni ili pod utjecajem droge, alkohola ili lijekova.** Trenutak nepažnje pri uporabi opreme može za posljedicu imati teške ozljede.

- **Upotrebljavajte opremu za osobnu zaštitu.** Uvijek nosite zaštitu za oči. Oprema za osobnu zaštitu, kao na primjer maska protiv prašine, zaštitne cipele s potplatima protiv klizanja, zaštitna kaciga ili štيتnici za sluh, koja se koristi za odgovarajuće uvjete, umanjit će opasnost od povrede.
- **Nemojte posezati predaleko. Provjerite stojte li na čvrstoj podlozi i u svakom trenutku zadržite ravnotežu.** To omogućava bolju kontrolu alata u neočekivanim situacijama.

Način uporabe i briga o opremi

- **Ne forsirajte opremu. Upotrijebite prikladnu opremu za vašu primjenu.** S odgovarajućom ćete opremom posao obaviti bolje i sigurnije pri predviđenoj brzini.
- **Ne upotrebljavajte opremu ako je prekidač ne uključuje i ne isključuje.** Svaki alat koji se ne može kontrolirati pomoću prekidača je opasan i potrebno ga je popraviti.
- **Odspojite baterije iz opreme prije obavljanja bilo kakvih namještanja, mijenjanja dodatnog pribora ili pohrane.** Takve preventivne sigurnosne mjere smanjuju mogućnost ozljede.
- **Pohranite nekorištenu opremu izvan dosega djeca, i ne dozvolite osobama koje nisu upoznate s opremom ili ovim Uputama, da rade s opremom.** U rukama korisnika koji nisu obučeni, oprema može biti opasna.
- **Održavajte opremu.** Provjerite nepoklapanje ili spajanje pokretnih dijelova, nedostajuće dijelove, prijelome dijelova ili bilo kakva druga stanja koja bi mogla utjecati na rad opreme. Prije uporabe popravite oštećenu opremu. Neispravno održavanje opreme uzrokuje mnoge nesreće.
- **Upotrijebite opremu i dodatni pribor prema ovim Uputama, uzeti u obzirom radne uvjete i poslove koje treba obaviti.** Upotreba opreme za radnje za koje ona nije predviđena može dovesti do opasnih situacija.

- **Upotrebjavajte samo pribor koji preporučuje proizvođač za vašu opremu.** Pribor predviđen za rad s određenom opremom može postati opasan kada se upotrebljava s drugom opremom.
- **Držite ručke suhim i čistim; bez ulja i maziva.** To omogućuje bolji nadzor instrumenata.

Servis

- **Neka vašu opremu servisira kvalificirana osoba koristeći samo identične rezervne dijelove.** To će zajamčiti sigurnosti alata koji se održava.

Posebne sigurnosne informacije

⚠ UPOZORENJE

Ovaj odjeljak sadrži važne sigurnosne informacije koje su karakteristične za ovaj alat.

Pozorno pročitajte ove mjere opreznosti prije uporabe RIDGID® mikro IR-200 beskontaktnog infracrvenog termometra za smanjiti rizik požara, eksplozije ili drugih ozbiljnih osobnih ozljeda.

SAČUVAJTE OVE UPUTE!

Držite ovaj priručnik u blizini alata kako bi ga rukovatelj mogao upotrijebiti.

Sigurnost infracrvenog termometra

- **Ne gledajte u lasersku zraku.** Gledanje u lasersku zraku može biti opasno za oči. Ne gledajte u lasersku zraku s optičkim pomagalima (kao što su dalekozor ili teleskop).
- **Ne usmjeravajte lasersku zraku u smjeru drugih ljudi.** Provjerite je li laser usmjeren iznad ili ispod razine oka. Laserske zrake mogu biti rizične za oči.
- **Nemojte ni na koji način koristiti uređaje za osobni pregled ili medicinsku primjenu.** Ovo nije medicinski uređaj. Time možete izazvati tjelesne ozljede.

- **Poduzmite odgovarajuće mjere opreznosti tijekom rada u blizini električnih, pomičnih ili vrućih dijelova.** Bliski kontakt može prouzročiti električni udar, zapletaj, opekline i druge ozbiljne povrede. Može biti potrebna zaštitna oprema.

⚠ OPREZ Uporaba kontrola ili podešavanja ili izvođenje postupaka koji nisu ovdje navedeni može rezultirati opasnim izlaganjem zračenju.

Ako imate bilo kakvih pitanja u vezi ovog RIDGID® proizvoda:

- Obratite se svojem lokalnom RIDGID distributeru.
- Posjetite RIDGID.com kako biste pronašli svoju kontaktnu točku za RIDGID.
- Ako je to potrebno, kontaktirajte Ridge Tool tehnički servis na rttechservices@emerson.com, a u SAD-u i Kanadi nazovite (800) 519-3456.

Opis, tehnički podaci i standardna oprema

Opis

RIDGID® mikro IR-200 beskontaktni infracrveni termometar ostvaruje jednostavno, brzo i precizno očitavanje površinske temperature na pritisak tipke. Jednostavno stisnete okidač i usmjerite ultra-oštre lasere dvojne klase II, na površinu koja se mjeri. Mikro IR-200 prikazuje trenutnu temperaturu na prozirnem LCD-displeju lakom za očitavanje, koji je osvijetljen odostraga. Uz mnoštvo drugih načina uporabe, ovaj robustan, kompaktan instrument omogućava stručnim djelatnicima dijagnosticirati probleme s grijanjem i ventilacijom, provoditi preventivno nadgledanje električnih motora i sustava, tražiti pogreške odvajanja kondenzata i brzo provjeriti osigurače ili strujne rastavljače na pregrijavanje, bez kontakta s njima.

Mikro IR-200 koristi optiku za otkrivanje emitirane, reflektirane i prenesene energije, koja je prikupljena i usmjerena na detektor. Elektronika jedinice prevodi informaciju u temperaturno očitavanje, koje se prikazuje. Laseri se upotrebljavaju kako bi pomogli pri usmjeravanju.

Tehnički podaci

Temperaturni raspon.....	-58°F do 2192°F (-50°C do 1200°C)
Odnos udaljenosti do točke	30 do 1
Mjerna točnost.....	-58°F ~68°F (50°C ~20°C): ±4.5°F (2,5°C) 68°F ~1472°F (20°C ~800°C) ±1,0% ili ±1,8°F (1,0°C)
Ponovljivost.....	-58°F ~68°F (50°C ~20°C): ±2.3°F (1,3°C) 68°F ~1472°F (20°C ~800°C) ±0,5% ili ±0.9°F (0,5°C)
Trajanje odziva.....	150 ms
Spektralni raspon.....	8~14 um
Emisijska (zračevna) moć.....	Prilagodljivo, 0,10 - 1,00
Indikacija iznad raspona.....	LCD-zaslon će prikazati "----"
Diodni laser.....	Izlaz <1mW, valna duljina 630~670nm, klasa 2 laserskog proizvoda
Prikaz temperature.....	Trenutna temperatura, maks. temperatura
Mjerne jedinice.....	Fahrenheit, Celzij
Radna temperatura.....	32°F do 122°F (0°C do 50°C)
Temperatura skladištenja.....	14°F do 140°F (-10°C do 60°C)
Razlučivost displeja.....	0.1°F (0,1°C)
Relativna vlažnost zraka.....	10%~90% rel.vl. tijekom rada, <80% rel.vl. na skladištu
Baterije.....	9 V baterija (1), NEDA 1604A ili IEC 6LR61, ili ekvivalent
IP rang.....	IP54
Težina.....	0.6 lbs (0,3 kg)

Značajke

- Brza detekcijska funkcija
- Lasersko nišanjeje dvojne klase II
- Automatsko zadržavanje podataka
- Prikazi maks. temperature
- Precizno beskontaktno mjerenje
- Automatski odabir raspona i razlučivosti displeja 0.1°F (0,1°C)
- Pozadinski osvijetljen LCD-displej
- Blokada okidača
- Namještanje visokog i niskog alarma
- Prilagodljivi koeficijent emisije



Slika 1 – mikro IR-200 beskontaktni infracrveni termometar

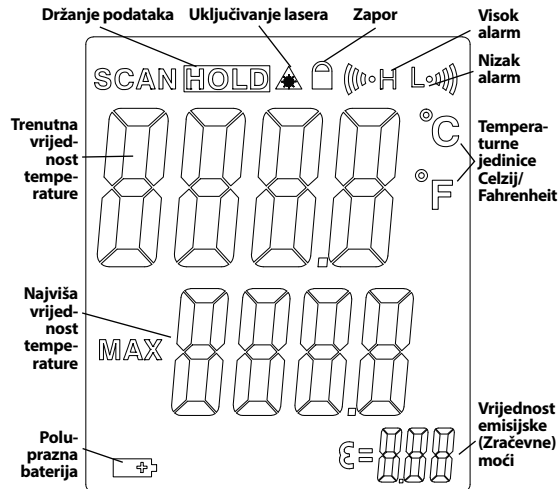
Dijelov



Slika 2 – Dijelovi uređaja mikro IR-200



Ikone LCD-displeja



Slika 3 – mikro IR-200 ikone displeja

Standardna oprema

- mikro IR-200
- Baterija 1 x 9V
- Kovčeg za nošenje
- Priručnik za rukovanje

NAPOMENA Ova oprema se upotrebljava za mjerenje temperatura. Neispravna uporaba ili neodgovarajuća primjena mogu rezultirati pogrešnim ili neispravnim mjerenjima. Odabir odgovarajuće metode mjerenja prema uvjetima rada, odgovornost je korisnika.

Klasifikacija lasera



RIDGID mikro IR-200 generira vidljivu lasersku zraku koja se emitira s prednjeg dijela uređaja.

Uređaj je sukladan s klasom 2 lasera, prema normi: IEC 60825-1:2007

Izjava FCC (Federal Communication Commission)

Ova oprema je bila iskušana i za nju je utvrđeno da odgovara granicama za Klasu B digitalnih uređaja, te slijedi dio 15 od FCC pravila. Ta ograničenja namijenjena su za osiguranje razumne razine zaštite protiv štetnih smetnji u kućanstvima.

Ova oprema stvara, koristi i može emitirati energiju radijske frekvencije te, ako nije ugrađena i korištena u skladu s uputama, može izazvati štetne smetnje u radijskim komunikacijama.

Međutim, nema jamstva da do smetnji neće doći kod određenog načina ugradnje.

Ako ovaj uređaj stvara štetne smetnje radijskom i televizijskom prijemu, koje se mogu utvrditi isključivanjem i ponovnim uključivanjem uređaja, korisnik bi smetnje trebao ukloniti na neki od sljedećih načina:

- Preusmjerite ili premjestite antenu prijemnika.
- Povećajte udaljenost između uređaja i prijemnika.
- Potražite savjet i pomoć prodavatelja ili iskusnog radio/TV tehničara.

Elektromagnetska sukladnost (EMC)

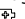
Pojam "elektromagnetska sukladnost" označava sposobnost proizvoda da besprijekorno funkcionira u okolišu gdje su prisutna elektromagnetska zračenja i elektrostatska pražnjenja, a ne stvaraju elektromagnetske smetnje u drugoj opremi.

NAPOMENA RIDGID mikro IR-200 ispunjava sve pripadne zahtjeve EMC normi. Međutim, mogućnost da uzrokuje smetnje u drugim uređajima ne može se isključiti.



Slika 4 – Uklanjanje poklopca odjeljka za baterije

Izmjena/Ugrađivanje baterija

mikro IR-200 se isporučuje bez ugrađenih baterija. Ako se prikazuje pokazivač baterije (Slika 3),  baterije valja zamijeniti. Uklonite baterije prije dugotrajnog skladištenja za izbjeci propuštanje baterija.

1. Stisnite baterijske kopče i uklonite odio baterija iz termometra (Slika 4). Ako je potrebno, uklonite bateriju.
2. Ugradite 9 V lužnate baterije (6LR61), pazeći na ispravni polaritet kao što je prikazano na odjeljku za pohranu baterija.



Slika 5 – Nosač baterije i oznaka polariteta

3. Stisnite kopče i čvrsto umetnite u termometar. Nosač će ići samo u jednom smjeru. Ne upotrebljavajte silu. Provjerite sigurno zatvaranje.

Provjera prije rada

⚠ UPOZORENJE

Prije svake uporabe, provjerite svoj infracrveni termometar i ispravite bilo kakve probleme da smanjite rizik od povreda ili neispravne mjerne rezultate.

Ne gledajte u lasersku zraku. Gledanje u lasersku zraku može biti opasno za oči.

1. Odstranite bilo kakvo ulje ili prljavštinu s opreme. Na taj način olakšavate pregled.

2. Provjerite mikro IR-200 na prisutnost slomljenih, istrošenih, nedostajućih, nepodešenih ili spojnih dijelova ili na neko drugo stanje koje bi onemogućilo siguran i normalan rad.
3. Provjerite jesu li oznake upozorenja prisutne, čvrsto spojene i čitljive (Slika 6).
4. Ako se tijekom pregleda uoče nepravilnosti, infracrveni termometar ne koristite dok se ne izvrši pravilno servisiranje istog.
5. Slijedeći Upute za rukovanje, uključite infracrveni termometar, obavite mjerenje i potvrdite isto mjerenje s drugim instrumentom (kontaktni termometar, itd.). Ako odnos između mjerenja nije prihvatljiv, ne upotrebljavajte infracrveni termometar dok nije prikladno servisiran.



Slika 6 – Upozoravajuće naljepnice



Namještanje i rad

⚠ UPOZORENJE



Ne gledajte u lasersku zraku. Gledanje u lasersku zraku može biti opasno za oči. Ne gledajte u lasersku zraku s optičkim pomagalima (kao što su dalekozor ili teleskop).

Ne usmjeravajte lasersku zraku u smjeru drugih ljudi. Provjerite je li laser usmjeren iznad ili ispod razine oka. Laserske zrake mogu biti rizične za oči.

Poduzmite odgovarajuće mjere opreznosti tijekom rada u blizini električnih, pomičnih ili vrućih dijelova. Bliski kontakt može prouzročiti električni udar, zapletaj, opekline i druge ozbiljne povrede. Može biti potrebna zaštitna oprema.

Namjestite i upotrijebite infracrveni termometar sukladno ovim postupcima za smanjiti rizik od povrede ili neispravne mjerne rezultate.

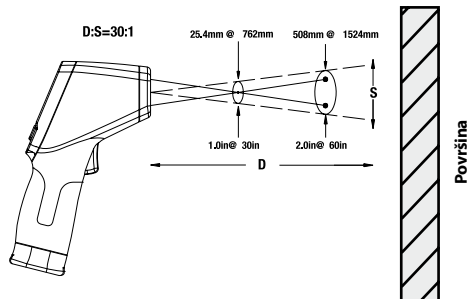
Postava

1. Provjerite odgovarajući radni prostor kao što je opisano u sekciji *Opće sigurnosti*.
2. Provjerite objekt koji treba biti izmjeren i potvrdite da imate ispravnu opremu za tu primjenu. *Pogledajte sekciju Tehničkih podataka* za raspon, točnost i druge informacije.

Postoje raznovrsni čimbenici koji mogu utjecati na točnost mikro IR-200, uključujući:

Vidokrug – mikro IR-200 koristi dva lasera za projicirati točke na oba kraja prostora koji treba biti izmjeren. Ove točke pokazuju približan promjer prostora ("točka") u kojemu se mjeri temperatura.

Kako se mikro IR-200 pomiče (D) podalje od površine, ta površina i veličina točke (S) se povećava. Područje je približno $\frac{1}{30}$ udaljenosti od površine. (Pogledajte Sliku 7.)



Slika 7 – Vidokrug

To mjesto bi uvijek trebalo biti manje od površine. Što je površina manja, tim bliže bi mikro IR-200 trebao biti do površine. Za najbolju točnost, površina bi trebala biti dva puta tako velika kao točka.

Koeficijent emisije – Koeficijent emisije je pojam koji se koristi za opis karakteristike emitiranja energije materijala i ima vrijednost od 0 do 1. Mikro IR-200 omogućuje prilagođavanje vrijednosti faktora emisije od 0,10 do 1,00 radi izračuna temperatura. Ako je svojstvo faktora emisije površine nepoznato, može se uporabiti približni faktor emisije od 0,95 za većinu primjena, kao što su obojene površine. Vrijednosti faktora emisije za česte materijale prikazane su na *Slici 8*.

Materijal	Koeficijent emisije	Materijal	Koeficijent emisije
Aluminij, polirani	0,05	Boja	0,95
Asfalt	0,88	Papir, bijeli	0,90
Opeka	0,90	Žbuka, gruba	0,89
Beton, grubi	0,91	Guma	0,93
Bakar, polirani	0,04	Čelik, galvanizirani	0,28
Staklo	0,95	Čelik, oksidirani	0,88
Vapnenac	0,92	Voda	0,96
Mramor, polirani	0,90		

Slika 8 – Vrijednosti faktora emisije za česte materijale

Temperatura – Dok mikro IR-200 kompenzira varijacije okolne temperature, velike promjene u okolini i izmjerenim temperaturama mogu smanjiti točnost. Kada nastupe značajne promjene okolne temperature (više od 30°F ili 17°C), omogućiti petnaest minuta za mikro IR-200 da se namjesti za najbolju točnost.

Prepreke – Para, prašina, dim i druge prepreke poput stakla ili plastike između mikro IR-200 i površine koja se mjeri može smanjiti točnost. Oni ometaju optiku uređaja ili daju pogrešna očitavanja (izmjerite temperaturu stakla umjesto površine). Ne upotrebljavajte kada su prisutne prepreke.

3. Provjerite da je sva oprema ispravno pregledana.

Rad

Uključenje i isključenje (Mjerenja)

1. Držite mikro IR-200 za ručku i usmjerite ga prema površini koja će biti mjerena. Držati podalje od bilo kakvih električnih, pomičnih ili vrućih dijelova. Provjerite je li jedinica usmjerena u sigurnom smjeru, podalje od bilo kakvih promatrača, prije njegova uključenja.

2. Stisnite okidač za uključiti mikro IR-200. Kada je okidač stisnut, ikona SKENIRANJE bit će uključena, a mikro IR-200 će neprekidno ažuriranje prikazanu trenutnu vrijednost temperature i prikazivati najvišu temperaturnu vrijednost, budući da je uređaj bio uključen. Mikro IR-200 može se polako pomicati preko površine za lociranje vrućih ili hladnih područja. *Pogledajte sekcije Visoki alarm i Niski alarm za informacije o visokim i niskim postavama alarma.*
3. Kada je okidač otpušten, ikona HOLD (DRŽI) bit će uključena. Mikro IR-200 će se automatski isključiti nakon sedam sekundi, ako jedinica nije u načinu rada kontinuirano mjerenje.

mikro IR-200 komande



Slika 9 – Displej/Tipke mikro IR-200

Način rada kontinuiranog mjerenja (Pretraživanje)

Mikro IR-200 može biti blokiran na uključuje, kako bi se omogućilo mjerenje bez držanja okidača. Provjerite je li jedinica usmjerena u sigurnom smjeru, podalje od bilo kakvih promatrača, prije njegova uključivanja. Uključite mikro IR-200 pritiskanjem i držanjem okidača. Dok držite okidač, pritisnite i otpustite izborničku tipku. Ikone SCAN i brava bit će uključeni. Otpustite okidač, i mikro IR-200 će neprekidno ažurirati izmjerenu temperaturu, dok okidni prekidač nije ponovno stisnut i otpušten.

Laser aktiviran/onemogućen

Ako je potrebno, laseri koji se upotrebljavaju za usmjeravanje mogu biti isključeni za pomoć produžiti vijek trajanja baterije. Ako se to čini, posebnu brigu valja koristiti kod usmjeravanja mikro IR-200 za osigurati dobra očitavanja. Da to omogućite ili deaktivirate, dok stiskate okidač, pritisnite i otpustite tipku za uključivanje lasera. Ikona uključivanja lasera bit će upaljena kada je omogućen rad lasera.

Pozadinsko osvjetljenje

Ako se upotrebljava u slabo osvijetljenom prostoru, mikro IR-200 je opremljen sa pozadinskim osvjetljenjem displeja. Za uključiti i isključiti pozadinsko osvjetljenje, dok je uređaj uključen, pritisnite tipku pozadinskog osvjetljenja.

Uporaba izborničkih tipki

Nakon stiskanja okidača, pritisak i otpuštanje izborničke tipke će omogućiti da prođete kroz sljedeće postavke ovim redoslijedom: Visok alarm uključen/isključen, temperaturna postava visokog alarma, nizak alarm uključen/isključen, temperaturna postava niskog alarma, prikaz temperaturnih jedinica, faktor emisije.

Visok alarm

Visok alarm će osloboditi čujni signal kada trenutna temperatura premaši unaprijed namještenu granicu. Za uključiti visok alarm, stisnite i otpustite okidač, a zatim pritisnite i otpustite izborničku tipku, dok treperi ikona visokog alarma. Upotrijebite tipke gore/dolje, za uključiti/isključiti značajku visokog alarma, kao što je prikazano na liniji vrijednosti trenutne temperature. Ponovno pritisnite i otpustite izborničku tipku. Ikona visokog alarma će nastaviti treperiti, i pojaviti će se temperatura visokog alarma. Upotrijebite tipke gore/dolje za promijeniti temperaturu visokog alarma po želji. Stisnite okidač za izaći iz namještanja i pohranite vaš odabir.

Nizak alarm

Nizak alarm će osloboditi čujni signal kada trenutna temperatura padne ispod unaprijed namještene granice. Za uključiti nizak alarm, stisnite i otpustite okidač, a zatim pritisnite i pustite izborničku tipku dok ne zatreperi ikona alarma. Upotrijebite tipke gore/dolje za uključiti/isključiti značajku niskog alarma, kao što je prikazano na liniji vrijednosti trenutne temperature. Ponovno pritisnite i otpustite izborničku tipku. Ikona niskog alarma će nastaviti treperiti, i pojaviti će se temperatura visokog alarma. Upotrijebite tipke gore/dolje za promijeniti temperaturu niskog alarma po želji. Stisnite okidač za izaći iz namještanja i pohranite vaš odabir.

Prikaz jedinica temperature - °C/°F

Mikro IR-200 može prikazati temperature u stupnjeva Celzija (C) ili Fahrenheita (F). Za promijeniti jedinicu displeja, stisnite i otpustite okidač, a zatim pritisnite i pustite izborničku tipku dok ne zatreperi temperaturna jedinica. Upotrijebite tipke gore/dolje za prebaciti između C ili F po želji. Stisnite okidač za izaći iz namještanja i pohranite vaš odabir.

Koeficijent emisije

Vrijednost faktora emisije može se postaviti od 0,10 do 1,00. Pogledajte odjeljak Postavljanje kako biste utvrdili odgovarajuću vrijednost za vašu primjenu. Kako biste prilagodili tu vrijednost, stisnite i otpustite okidač, a zatim pritisnite i pustite tipku izbornika dok ne zatreperi vrijednost faktora emisije na zaslonu. Uporabite gumb gore/dolje kako biste povećali ili smanjili faktor emisije. Stisnite okidač za izaći iz namještanja i pohranite vaš odabir.

Čišćenje

Ne uranjajte RIDGID mikro IR-200 beskontaktni infracrveni termometar u vodu. Obrišite prljavštinu s mokrom, mekom krpom. Ne rabite agresivna sredstva za čišćenje ili razrjeđivače. Postupajte s instrumentom što biste postupali s teleskopom ili kamerom.

Pohrana

RIDGID mikro IR-200 infracrveni termometar mora biti pohranjen na suhom i sigurnom mjestu između 14°F (-10°C) i 140°F (60°C).

Pohranite alat u zaključanom prostoru izvan dohvata djeca i ljudi koji nisu upoznati s mikro IR-200.

Uklonite bateriju prije bilo kakvog dužeg razdoblja skladištenja ili otpreme za izbjeci propuštanje baterije.

Servis i popravak

▲ UPOZORENJE

Neodgovarajući servis ili popravak može učiniti RIDGID mikro IR-200 beskontaktni infracrveni termometar opasnim za rad.

Servis i popravak uređaja mikro IR-200 mora izvršiti ovlaštenu neovisni servisni centar RIDGID.

Za dodatne informacije o Vama najbližem ovlaštenom neovisnom RIDGID servisnom centru ili pitanjima u vezi popravka ili servisa:

- Obratite se svojem lokalnom RIDGID distributeru.
- Posjetite RIDGID.com kako biste pronašli svoj lokalni Ridge Tool kontakt.
- Ako je to potrebno, kontaktirajte Ridge Tool tehnički servis na rtctechservices@emerson.com, a u SAD-u i Kanadi nazovite (800) 519-3456.

Odlaganje otpada

Dijelovi RIDGID mikro IR-200 beskontaktnog infracrvenog termometra sadrže vrijedne materijale i mogu se reciklirati. Pronađite lokalne tvrtke koje se bave recikliranjem. Odlžite sastavnice u skladu sa svim primjenjivim zakonskim uredbama. Kontaktirajte s lokalnom institucijom za upravljanje otpadom za više informacija.



Za države EU: Ne odlžite električnu opremu s kućnim otpadom!

U skladu s Europskom smjernicom 2012/19/EU o električnoj i elektroničkoj opremi koja predstavlja otpad i njezinu primjenu u lokalnom zakonodavstvu električnu opremu koju više ne možete upotrijebiti morate odvojeno skupljati i odlagati na odgovarajući, ekološki način.

Odlaganje baterije

Za države EU: Neispravne ili iskorištene baterije moraju se reciklirati prema smjernici 2012/19/EU.

micro IR-200

micro IR-200 Brezkontaktni infrardeči termometer



⚠ OPOZORILO

Pred uporabo orodja pazno preberite ta uporabniški priročnik. Nerazumevanje in neupoštevanje vsebine tega priročnika lahko povzroči električni udar, požar in/ali hude telesne poškodbe.

Brezkontaktni infrardeči termometer micro IR-200

Serijsko številko zapišite spodaj in shranite serijsko številko izdelka na napisni tablici.

Serijska št.

Kazalo vsebine

Obrazec za vpis serijske številke naprave	251
Varnostni simboli	253
Splošna varnostna pravila	254
Varnost delovnega območja.....	254
Električna varnost.....	254
Osebna varnost.....	254
Uporaba in ravnanje z opremo.....	254
Servisiranje.....	255
Posebne varnostne informacije	255
Varnost infrardečega termometra.....	255
Opis, tehnični podatki in standardna oprema	255
Opis.....	255
Tehnični podatki.....	256
Deli.....	257
Ikone prikazovalnika LCD.....	257
Standardna oprema.....	257
Razred laserja	258
Izjava FCC	258
Elektromagnetna združljivost (EMC)	258
Zamenjava/Vgradnja baterij	258
Pregled pred uporabo	259
Priprava in uporaba	260
Priprava.....	260
Uporaba	261
Vklop in izklop (Merjenje).....	261
Elementi za upravljanje naprave micro IR-200	261
Način za neprekinjeno merjenje (Premikanje po površini).....	262
Omogočen/Onemogočen laser.....	262
Osvetlitev prikazovalnika.....	262

Uporaba menijskih gumbov.....	262
Opozorilo o previsoki temperaturi.....	262
Opozorilo o prenizki temperaturi.....	262
Enote prikaza temperature – °C/°F.....	263
Emisivnost.....	263

Čiščenje	263
-----------------------	-----

Shranjevanje	263
---------------------------	-----

Servisiranje in popravila	263
--	-----

Odstranjevanje	263
-----------------------------	-----

Odstranjevanje akumulatorjev	264
---	-----

Izjava o skladnosti ES	Za zadnjim pokrovom
-------------------------------------	---------------------

Dosmrtna garancija	Zadnja stran
---------------------------------	--------------

* Prevod izvirnih navodil

Varnostni simboli

V tem uporabniškem priročniku in na izdelku se uporabljajo varnostni simboli ter signalne besede za posredovanje pomembnih varnostnih informacij. V tem poglavju boste spoznali pomen teh signalnih besed in simbolov.



To je simbol za varnostno opozorilo. Uporablja se za opozarjanje na tveganje telesnih poškodb. Upoštevajte varnostna navodila, ki spremljajo ta simbol, da preprečite morebitno telesno poškodbo ali smrt.

NEVARNOST

NEVARNOST pomeni nevarno situacijo, ki bo povzročila smrt ali hudo telesno poškodbo, če se ji ne izognete.

OPOZORILO

OPOZORILO pomeni nevarno situacijo, ki bi lahko povzročila smrt ali hudo telesno poškodbo, če se ji ne izognete.

POZOR

POZOR pomeni nevarno situacijo, ki bi lahko povzročila manjše ali srednje hude telesne poškodbe, če se ji ne izognete.

OPOMBA

OPOMBA pomeni informacijo, ki se nanaša na preprečevanje materialne škode.



Ta simbol vas opozarja, da preberete uporabniški priročnik, preden začnete uporabljati opremo. Uporabniški priročnik vsebuje pomembne informacije o varni in pravilni uporabi opreme.



Ta simbol pomeni, da naprava vsebuje laser razreda 2.



Ta simbol pomeni, da ne glejte v laserski žarek.



Ta simbol vas opozarja na prisotnost in tveganje laserskega žarka.

Splošna varnostna pravila

⚠ OPOZORILO

Preberite vsa varnostna opozorila in navodila. Neupoštevanje opozoril in napotkov lahko povzroči električni udar, požar in/ali težje poškodbe.

TA NAVODILA SHRANITE!

Izjava o skladnosti za EU (890-011-320.10) po potrebi spremlja ta priročnik kot ločena knjižica.

Varnost delovnega območja

- **Delovno območje naj bo čisto in dobro osvetljeno.** Nepospravljene ali slabo osvetljene delovni prostori povečujejo verjetnost nesreče.
- **Opreme ne uporabljajte v eksplozivnih atmosferah, npr. v prisotnosti vnetljivih tekočin, plinov ali prahu.** Oprema lahko povzroči iskre, zaradi katerih se prah ali hlapi lahko vnamejo.
- **Med uporabo opreme naj se otroci in druge osebe ne približujejo.** Zaradi motenj ob delu lahko izgubite nadzor nad orodjem.

Električna varnost

- **Izogibajte se stiku z ozemljenimi površinami, kot so cevi, grelniki, štedilniki in hladilniki.** Če je vaše telo ozemljeno, obstaja večja nevarnost električnega udara.
- **Opreme ne izpostavljajte dežju in vlažnim pogojem.** Voda, ki prodre v opremo, poveča nevarnost električnega udara.

Osebna varnost

- **Med uporabo opreme bodite pazljivi, pozorni in delajte z glavno.** Opreme ne uporabljajte, če ste utrujeni ali pod vplivom drog, alkohola ali zdravil. Trenutek nepozornosti med uporabo opreme lahko povzroči hude telesne poškodbe.

- **Uporabljajte opremo za osebno zaščito.** Vedno nosite zaščitna očala. Zaščitna oprema, kot so zaščitna maska za prah, zaščitni čevlji z nedrsečim podplatom, zaščitna čelada ali zaščita sluha, ki jo uporabljate skladno z razmerami, zmanjša tveganje telesnih poškodb.
- **Ne precenjujte se. Vedno skrbite, da stojite stabilno in da imate dobro ravnotežje.** Tako boste imeli v nepredvidljivih situacijah boljši nadzor nad električnim orodjem.

Uporaba in ravnanje z opremo

- **Od opreme ne zahtevajte preveč. Uporabljajte opremo, ki je primerna za vaše delo.** Z uporabo primerne opreme boste delo opravili bolje in varneje, s hitrostjo, za katero je zasnovana.
- **Če s stikalom ne morete vklopiti in izklopiti opreme, je ne uporabljajte.** Vsako orodje, ki ga ne morete krmiliti s stikalom, je nevarno in ga je treba popraviti.
- **Pred spreminjanjem nastavitvev, menjavo dodatne opreme ali shranjevanjem odklopite baterije z opreme.** S tovrstnimi varnostnimi ukrepi boste zmanjšali nevarnost poškodbe.
- **Opremo, ki je ne uporabljate, hranite izven dosega otrok in ne dovolite, da bi opremo uporabljale osebe, ki je ne poznajo ali ki niso prebrale teh navodil.** V rokah neusposobljenih uporabnikov je oprema lahko nevarna.
- **Opremo redno vzdržujte.** Preverite, ali so gibljivi deli opreme pravilno izravnani in ali se zatikajo. Preverite, ali deli manjkajo in ali so pokvarjeni. Preverite, ali so deli pokvarjeni in ali so prisotna druga stanja, ki bi lahko vplivala na delovanje opreme. Če je oprema poškodovana, jo pred uporabo popravite. Številne nesreče so posledica slabo vzdrževane opreme.
- **Opremo in dodatke uporabljajte skladno s temi navodili, upoštevajte delovne pogoje in vrsto dela, ki se ga boste lotili.** Uporaba opreme v namene, drugačne od tistih, za katere je predvidena, lahko vodi v nevarne situacije.

- **Uporabljajte samo dodatno opremo, ki jih proizvajalec priporoča za vašo opremo.** Dodatki, primerni za uporabo z določeno opremo, lahko postanejo nevarni, če jih uporabljate z drugo opremo.
- **Ročaje vzdržujte suhe, čiste in razmaščene.** Tako boste omogočili boljši nadzor opreme.

Servisiranje

- **Vašo opremo naj popravlja samo usposobljen strokovnjak in pri tem uporablja samo originalne nadomestne dele.** Tako bo vaše orodje ostalo varno za uporabo.

Posebne varnostne informacije

⚠ OPOZORILO

To poglavje vsebuje pomembna varnostna navodila, značilna za to orodje.

Pred uporabo brezkontaktnega infrardečega termometra RIDGID® micro IR-200 pazljivo preberite te previdnostne ukrepe, da zmanjšate tveganje požara, eksplozije ali drugih hudih telesnih poškodb.

TA NAVODILA SHRANITE!

Ta priročnik hranite skupaj z orodjem, da ga lahko uporablja uporabnik.

Varnost infrardečega termometra

- **Ne glejte v laserski žarek.** Gledanje v laserski žarek je lahko nevarno za oči. Ne glejte v laserski žarek z optično opremo (na primer z daljnogledom ali teleskopom).
- **Laserskega žarka ne usmerjajte v druge ljudi.** Poskrbite, da je laser usmerjen nad ali pod višino oči. Laserski žarki so lahko nevarni za oči.

- **Te opreme ne uporabljajte za kakršne koli osebne preglede ali medicinsko uporabo.** To ni medicinska naprava. Takšna uporaba lahko povzroči telesne poškodbe.
- **Pri delu v bližini električnih, premikajočih se ali vročih delov poskrbite za potrebne zaščitne ukrepe.** Tesen stik lahko povzroči električni udar, zapletanje, opekline in druge hude telesne poškodbe. Po potrebi uporabljajte opremo za osebno zaščito.

⚠ POZOR Uporaba KRMIL ali prilagoditev ali izvajanje postopkov, ki niso navedeni tukaj, lahko povzroči izpostavljenost nevarnemu sevanju.

Če imate vprašanja v zvezi s tem izdelkom RIDGID®:

- Obrnite se na krajevnega distributerja RIDGID.
- Obiščite RIDGID.com, da najdete krajevno zastopstvo RIDGID.
- Obrnite se na oddelek za tehnične storitve za Ridge Tool na naslovu rttechservices@emerson.com, v ZDA in Kanadi pa lahko pokličete tudi (800) 519-3456.

Opis, tehnični podatki in standardna oprema

Opis

Brezkontaktni infrardeči termometer RIDGID® micro IR-200 zagotavlja preprosto, hitro in točno merjenje temperature površine s pritiskom na gumb. To storite tako, da stisnete sprožilec in usmerite dva izredno ostra laserja razreda II proti površini, ki jo merite. Orodje micro IR-200 hitro prikaže meritev temperature na jasnem osvetljenem prikazovalniku LCD. Poleg številnih drugih načinov uporabe omogoča ta robusten instrument majhne velikosti diagnostiko težav z ogrevanjem in prezačevanjem, preventivni nadzor elektromotorjev ter sistemov, odpravljanje težav z odvodniki pare in hitro brezkontaktno preverjanje pregrevanja varovalk ter stikal.

Instrument micro IR-200 uporablja optiko za zaznavanje sevane, odbite in oddane energije, ki se zbere ter usmeri na tipalo. Elektronika enote prevede pridobljeno informacijo v odčitek temperature, ki se prikaže. Laserja se uporabljata za usmerjanje.

Tehnični podatki

Temperaturno območje.....	od -58 do 2192 °F (od -50 do 1200 °C)
Razmerje med razdaljo in premerom snopa.....	30 : 1
Točnost merjenja.....	od -58 do 68 °F (od -50 do 20 °C): ±4.5 °F (2,5 °C) od 68 do 1472 °F (od 20 do 800 °C) ±1,0 % ali ±1.8 °F (1,0 °C)
Ponovljivost.....	od -58 do 68 °F (od -50 do 20 °C): ±2.3 °F (1,3 °C) od 68 do 1472 °F (od 20 do 800 °C) ±0,5 % ali ±0.9 °F (0,5 °C)
Odzivni čas.....	150 ms
Spektralna odzivnost.....	8–14 um
Emisivnost.....	Nastavljivo, 0,10 - 1,00
Prikaz preseženega merilnega območja.....	Na prikazovalniku LCD se prikaže »---«
Diodni laser.....	Moč <1 mW, valovna dolžina od 630 do 670 nm, laserski izdelek razreda 2
Prikaz temperature.....	Trenutna, največja temperatura
Merilne enote.....	Fahrenheit, Celzij
Delovna temperatura.....	od 32 do 122 °F (od 0 do 50 °C)
Temperatura skladiščenja.....	od 14 do 140 °F (od -10 do 60 °C)
Ločljivost prikaza.....	0.1 °F (0,1 °C)
Relativna vlažnost.....	Delovanje: od 10 do 90 % RV Skladiščenje: <80 % RV
Baterije.....	Baterija 9V (1), NEDA 1604A ali IEC 6LR61 ali enakovredna
Razred IP.....	IP54
Teža.....	0.6 lbs (0,3 kg)

Značilnosti

- Funkcija za hitro zaznavanje
- Dva namerilna laserja razreda II
- Samodejno zadrževanje podatka
- Prikaz največje temperature
- Točne brezkontaktno meritve
- Samodejna izbira merilnega dosega, ločljivost prikaza znaša 0.1 °F (0,1 °C)
- Osvetljen prikazovalnik LCD
- Zaklepanje sprožilca
- Možnost nastavitve opozorila zaradi previsoke in prenizke temperature
- Nastavljiva emisivnost



Slika 1 – Brezkontaktni infrardeči termometer micro IR-200

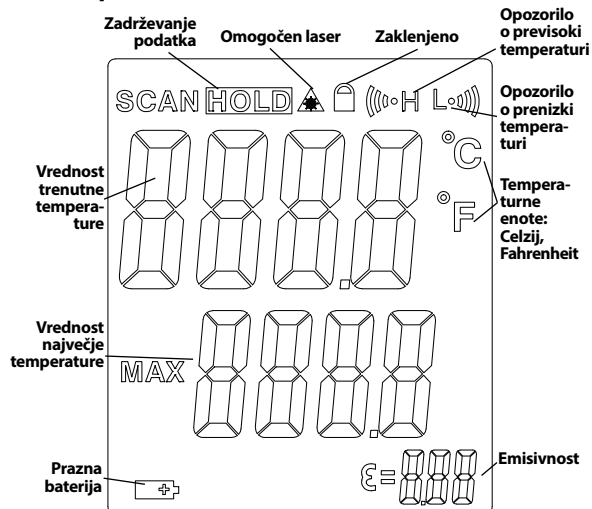
Deli



Slika 2 – Deli instrumenta micro IR-200



Ikone prikazovalnika LCD



Slika 3 – Ikone prikazovalnika instrumenta micro IR-200

Standardna oprema

- micro IR-200
- Torbica
- Baterija 1 x 9 V
- Uporabniški priročnik

OPOMBA Ta oprema se uporablja za merjenje temperature. Napačna uporaba lahko povzroči napačne ali netočne meritve. Za izbiro ustreznih načinov merjenja za določene pogoje je odgovoren uporabnik.

Razred laserja



Instrument RIDGID micro IR-200 na sprednji strani naprave oddaja viden laserski žarek.

Naprava je skladna z laserskim razredom 2, kot jih določajo standardi IEC 60825-1:2007

Izjava FCC

Pri preizkušanju naprave je bilo ugotovljeno, da ustreza mejnim vrednostim za digitalne naprave razreda B, kot jih določa 15. del predpisov FCC. Te mejne vrednosti zagotavljajo razumno zaščito pred škodljivimi motnjami v stanovanjskih inštalacijah.

Naprava proizvajala, uporablja in lahko seva radiofrekvenčno energijo in, če ni pravilno nameščena in se ne uporablja v skladu z navodili, lahko povzroča škodljive motnje pri radijskih komunikacijah.

Kljub temu ne moremo jamčiti, da ne bo prišlo do motenj v posameznih inštalacijah.

Če oprema povzroča škodljive motnje pri sprejemu radijskih ali televizijskih signalov, kar lahko ugotovite tako, da vključite in izključite opremo, naj uporabnik odpravi te motnje z izvajanjem enega ali več naslednjih ukrepov:

- Preusmerite ali premestite sprejemno anteno.
- Povečajte razdaljo med opremo in sprejemnikom.
- Za pomoč se obrnite na prodajalca ali izkušenega radijskega/TV-tehnika.

Elektromagnetna združljivost (EMC)

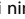
Izraz "elektromagnetna združljivost" označuje zmožnost nemotenega delovanja izdelka v okolju, kjer so prisotna elektromagnetna sevanja in elektrostaticna praznjenja, brez povzročanja elektromagnetnih motenj na drugi opremi.

OPOMBA Instrument RIDGID micro IR-200 je skladen z vsemi zadevnimi standardi za elektromagnetno združljivost. Kljub temu ne moremo jamčiti, da ne bo povzročal motenj na drugih napravah.



Slika 4 – Odstranjevanje prostora za baterije

Zamenjava/Vgradnja baterij

Orodje micro IR-200 ob dobavi nima vgrajene baterije. Če se prikaže znak za baterijo (Slika 3) , morate baterijo zamenjati. Pred dolgotrajnim skladiščenjem odstranite baterije, da se izognete puščanju.

1. Stisnite zaponki baterije in odstranite prostor za baterije iz termometra (Slika 4). Po potrebi odstranite baterijo.

Priprava in uporaba

⚠ OPOZORILO



Ne glejte v laserski žarek. Gledanje v laserski žarek je lahko nevarno za oči. Ne glejte v laserski žarek z optično opremo (na primer z daljnogledom ali teleskopom).

Laserskega žarka ne usmerjajte v druge ljudi. Poskrbite, da je laser usmerjen nad ali pod višino oči. Laserski žarki so lahko nevarni za oči.

Pri delu v bližini električnih, premikajočih se ali vročih delov poskrbite za potrebne zaščitne ukrepe. Tesen stik lahko povzroči električni udar, zapletanje, opekline in druge hude telesne poškodbe. Po potrebi uporabljajte opremo za osebno zaščito.

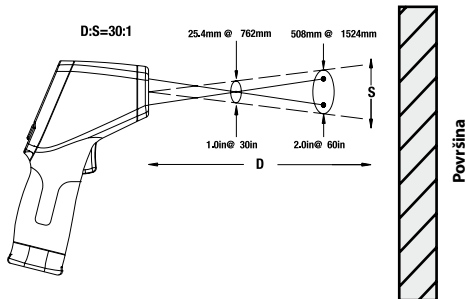
Infrardeči termometer pripravite in uporabljajte na tukaj opisan način, da zmanjšate tveganje telesnih poškodb ali napačnih meritev.

Priprava

1. Preverite ustreznost delovnega mesta, kot je opisano v *razdelku s splošnimi varnostnimi navodili*.
2. Preglejte predmet, do katerega želite izmeriti razdaljo, in preverite, ali imate pravo opremo za delo. *Za informacije o dosegu in točnosti ter druge informacije glejte razdelek s tehničnimi podatki.*

Na točnost instrumenta micro IR-200 vplivajo različni dejavniki, med drugim naslednji:

Vidno polje – Instrument micro IR-200 uporablja dva laserja za projiciranje pik na vsaki strani merjenega območja. Ti točki kažeta približni premer območja (»snopa«), kjer merite temperaturo. Ko napravo micro IR-200 odmikate (D) od površine, se površina in velikost snopa (S) povečujeta. Področje je približno 1/30-krat razdalja do površine. (Glejte sliko 7.)



Slika 7 – Vidno polje

Snop mora biti vedno manjši od površine. Manjša ko je površina, bolj ji približajte instrument micro IR-200. Za največjo možno točnost naj bo površina dvakrat večja od snopa.

Emisivnost – Emisivnost je izraz za lastnosti materiala glede sevanja energije in ima lahko vrednosti med 0 in 1. Micro IR-200 omogoča nastavitve vrednosti emisivnosti od 0,10 do 1,00 za računanje temperatur. Če je emisivnost površine neznana, je lahko emisivnost od 0,95 ustrežna za večino primerov, kot so pobarvane površine. Vrednosti emisivnosti za pogoste materiale so prikazane na *Sliki 8*.

Material	Emisivnost	Material	Emisivnost
Aluminij, poliran	0,05	Barva	0,95
Asfalt	0,88	Papir, bel	0,90
Opeka	0,90	Omet, grob	0,89
Beton, grob	0,91	Guma	0,93
Baker, poliran	0,04	Jelko, galvanizirano	0,28
Steklo	0,95	Jeklo, oksidirano	0,88
Apnenc	0,92	Voda	0,96
Marmor, poliran	0,90		

Slika 8 – Vrednosti emisivnosti za pogoste materiale

Temperatura – Naprava micro IR-200 sicer kompenzira spremembe v temperaturi okolja, vendar lahko velike spremembe v temperaturah okolja in izmerjenih temperaturah zmanjšajo točnost. Če naletite na občutne spremembe temperature okolja (nad 17 °C ali 30 °F), počakajte petnajst minut, da se instrument micro IR-200 prilagodi in doseže najboljšo točnost.

Ovire – Para, prah, dim in druge ovire, na primer umetna masa, med instrumentom micro IR-200 in merjeno površino lahko zmanjšajo točnost. To ovira delovanje optike ali daje napačne odčitke (merite temperaturo stekla namesto površine). Instrumenta ne uporabljajte, če so prisotne ovire.

Te dejavnike upoštevajte pred uporabo instrumenta micro IR-200.

3. Poskrbite, da je vsa oprema pravilno pregledana.

Uporaba

Vklop in izklop (Merjenje)

1. Instrument micro IR-200 primite za ročaj in ga usmerite proti površini, ki jo želite izmeriti. Bodite varno oddaljeni od električnih, premikajočih se ali vročih delov. Pred vklopom poskrbite, da je enota usmerjena v varno smer, stran od mimoidočih.

2. Stisnite sprožilec, da vklopite napravo micro IR-200. Ko je sprožilec stisnjen, se vklopi ikona SCAN, naprava micro IR-200 pa nenehno posodablja prikazano trenutno temperaturo, kaže pa tudi največjo vrednost temperature od vklopa enote.

Instrument micro IR-200 lahko počasi premikate po površini, da najdete vroča ali hladna območja. Za *informacije o nastavitvah opozorila za previsoko in prenizko temperaturo* glejte razdelka za opozorilo za previsoko in prenizko temperaturo.

3. Ko spustite sprožilec, se vklopi ikona HOLD. Naprava micro IR-200 se samodejno izklopi po sedmih sekundah, če ni v načinu neprekinjenega merjenja.

Elementi za upravljanje naprave micro IR-200



Slika 9 – Prikazovalnik in gumbi instrumenta micro IR-200

Način za neprekinjeno merjenje (Premikanje po površini)

Instrument micro IR-200 lahko trajno vklopite, da lahko merite brez držanja sprožilca. Pred vklopom poskrbite, da je enota usmerjena v varno smer, stran od mimoidočih. Vključite napravo micro IR-200, tako da stisnete in držite sprožilec. Ko držite sprožilec, pritisnite in sprostite menijski gumb. Vključita se ikoni SCAN in ključavnica. Sprostite sprožilec, instrument micro IR-200 neprekinjeno posodablja izmerjeno temperaturo, dokler znova ne stisnete in izpustite stikala sprožilca.

Omogočen/Onemogočen laser

Po potrebi je mogoče laserja, ki se uporabljata za usmerjanje, izklopiti, da varčujete z baterijo. V tem primeru morate biti posebno skrbni pri usmerjanju naprave micro IR-200, da zagotovite dobre odčitke. Za omogočanje in onemogočanje držite sprožilec ter pritisnite gumb za omogočanje laserja. Ko je laser omogočen, je vključena ikona za omogočen laser.

Osvetlitev prikazovalnika

Če napravo micro IR-200 uporabljate v slabi svetlobi, je opremljena z osvetlitvijo prikazovalnika. Če želite pri vključeni enoti vklopiti ali izklopiti osvetlitev prikazovalnika, pritisnite gumb za osvetlitev.

Uporaba menijskih gumbov

Po pritisku na sprožilec lahko s pritiskanjem menijske tipke dostopate do naslednjih nastavitev v prikazanem zaporedju: Vkllop/izklop opozorila za previsoko temperaturo, nastavitve temperature za opozorilo za previsoko temperaturo, vklop/izklop opozorila za prenizko temperaturo, nastavitve temperature za opozorilo za prenizko temperaturo, enote za prikaz temperature, emisivnost.

Opozorilo o previsoki temperaturi

Opozorilo o previsoki temperaturi vklopi ton, ko trenutna temperatura presega vnaprej določeno omejitev. Če želite vklopiti opozorilo za previsoko temperaturo, stisnite in spustite sprožilec ter pritisnite in spustite menijski gumb, dokler ne utripa ikona za opozorilo o previsoki temperaturi. Uporabite gumba za premik navzgor/navzdol, da vklopite/izklopite opozorilo za previsoko temperaturo, kot je prikazano na črti za vrednost trenutne temperature. Znova pritisnite in sprostite menijski gumb. Ikona za opozorilo o previsoki temperaturi še naprej utripa in prikaže se temperatura za opozorilo o previsoki temperaturi. Uporabite gumba za premik navzgor/navzdol, da po potrebi spremenite temperaturo opozorila za previsoko temperaturo. Stisnite sprožilec, da končate način za nastavitve in shranite svoje izbire.

Opozorilo o prenizki temperaturi

Opozorilo o prenizki temperaturi vklopi ton, ko trenutna temperatura pade pod vnaprej določeno omejitev. Če želite vklopiti opozorilo za prenizko temperaturo, stisnite in spustite sprožilec ter pritisnite in spustite menijski gumb, dokler ne utripa ikona za opozorilo o prenizki temperaturi. Uporabite gumba za premik navzgor/navzdol, da vklopite/izklopite opozorilo za prenizko temperaturo, kot je prikazano na črti za vrednost trenutne temperature. Znova pritisnite in sprostite menijski gumb. Ikona za opozorilo o prenizki temperaturi še naprej utripa in prikaže se temperatura za opozorilo o prenizki temperaturi. Uporabite gumba za premik navzgor/navzdol, da po potrebi spremenite temperaturo opozorila za prenizko temperaturo. Stisnite sprožilec, da končate način za nastavitve in shranite svoje izbire.

Enote prikaza temperature – °C/°F

Naprava micro IR-200 lahko prikazuje temperature v stopinjah Celzija (C) ali Fahrenheita (F). Če želite spremeniti prikazovalno enoto, stisnite in spustite sprožilec ter pritisnite in spustite menijski gumb, dokler ne utripa enota temperature na zaslonu. Uporabite gumba za premik navzgor/navzdol, da prekopate med prikazom C in F. Stisnite sprožilec, da končate način za nastavitve in shranite svoje izbire.

Emisivnost

Vrednost emisivnosti se lahko nastavi od 0,10 do 1,00. Oglejte si poglavje Postavljanje, da določite ustrezno vrednost za svojo uporabo. Če želite nastaviti to vrednost, stisnite in spustite sprožilec ter pritisnite in spustite menijski gumb, dokler ne utripa vrednost emisivnosti na zaslonu. Uporabite gumba gor/dol, da povečate ali zmanjšate vrednost emisivnosti. Stisnite sprožilec, da končate način za nastavitve in shranite svoje izbire.

Čiščenje

Brezkontaktnega infrardečega termometra RIDGID micro IR-200 ne potopite v vodo. Umazanijo obrišite z vlažno mehko krpo. Ne uporabljajte agresivnih čistil ali raztopin. Instrument obravnavajte tako kot teleskop ali kamero.

Shranjevanje

Infrardeči termometer RIDGID micro IR-200 morate hraniti na varnem in suhem mestu s temperaturo od 14 °F (-10 °C) do 140 °F (60 °C).

Orodje shranjujte v zaklenjenem prostoru zunaj dosega otrok in oseb, ki niso seznanjene z napravo micro IR-200.

Pred dolgotrajnim skladiščenjem ali prevozom odstranite baterije, da se izognete puščanju.

Servisiranje in popravila

⚠ OPOZORILO

Zaradi nepravilnega servisiranja ali popravila lahko postane brezkontaktni infrardeči termometer RIDGID micro IR-200 nevaren za uporabo.

Servis in popravilo naprave micro IR-200 mora opraviti pooblaščen neodvisni servisni center RIDGID.

Za informacije o najbližjem neodvisnem pooblaščenem servisnem centru RIDGID ali v primeru kakršnih koli vprašanj o servisiranju ali popravilu:

- Obrnite se na krajevnega distributerja RIDGID.
- Obiščite RIDGID.com, da poiščite krajevno Ridge Tool stično točko.
- Obrnite se na oddelek za tehnične storitve za Ridge Tool na naslovu rtctechservices@emerson.com, v ZDA in Kanadi pa lahko pokličete tudi (800) 519-3456.

Odstranjevanje

Deli brezkontaktnega infrardečega termometra RIDGID micro IR-200 vsebujejo dragocene materiale in jih je mogoče reciklirati. Družbe, ki so specializirane za recikliranje, lahko najdete tudi v svoji bližini. Komponente zavrzite skladno z vsemi zadevnimi predpisi. Več informacij poiščite pri komunalni upravi v svojem kraju.



Za države EU: Električne opreme ne odvrzite med gospodinjinske odpadke!

V skladu z evropsko Direktivo 2012/19/EU za odstranjevanje odpadne električne in elektronske opreme ter njeno uvedbo v nacionalno zakonodajo je treba električno opremo, ki ni več uporabna, zbirati ločeno in odstraniti v skladu z okoljevarstvenimi predpisi.

Odstranjevanje akumulatorjev

Za države EU: Okvarjene ali rabljene baterije je treba reciklirati skladno z Direktivo 2012/19/EU.

micro IR-200

micro IR-200 Beskontaktni infracrveni termometar



⚠ UPOZORENJE

Pažljivo pročitajte priručnik za korisnika pre korišćenja ovog alata. Nepoznavanje i nepridržavanje uputstava iz ovog priručnika može imati za posledicu strujni udar, požar i/ili teške telesne povrede.

micro IR-200 beskontaktni infracrveni termometar

Zapišite ispod serijski broj i sačuvajte serijski broj proizvoda koji se nalazi na natpisnoj pločici.

Serijski
br.

Sadržaj

Formular za zapisivanje serijskog broja uređaja	265
Sigurnosni simboli	267
Opšti sigurnosni propisi	268
Sigurnost radnog područja	268
Zaštita od struje	268
Lična zaštita	268
Način upotrebe i briga o opremi	268
Servisiranje.....	269
Posebne sigurnosne informacije	269
Sigurnost infracrvenog termometra	269
Opis, tehnički podaci i standardna oprema	269
Opis	269
Tehnički podaci	270
Delovi	271
Ikone LCD-displeja	271
Standardna oprema.....	271
Klasifikacija lasera	272
FCC izjava	272
Elektromagnetna usklađenost (EMC)	272
Ugradnja/Zamena baterija	272
Provera pre upotrebe	273
Podešavanje i rad	274
Podešavanje	274
Rukovanje	275
Uključivanje i isključivanje (Očitavanje merenja).....	275
micro IR-200 upravljački elementi	275
Režim kontinualnog merenja (Skeniranje)	276
Aktiviranje/Deaktiviranje lasera.....	276
Pozadinsko svetlo	276

Upotreba tastera Meni	276
Alarm visoke temperature	276
Alarm niske temperature	276
Prikazane jedinice temperature - °C/°F	276
Emisiona moć.....	277

Čišćenje	277
-----------------------	-----

Skladištenje	277
---------------------------	-----

Servisiranje i popravke	277
--------------------------------------	-----

Odstranjivanje	277
-----------------------------	-----

EC izjava o usklađenosti	Iza zadnjeg poklopca
---------------------------------------	----------------------

Garancija u toku radnog veka	Na poledini korice
---	--------------------

* Prevod originalnog priručnika

Sigurnosni simboli

Sigurnosni simboli i reči upozorenja u ovom priručniku i na proizvodu se koriste da bi nam ukazali na važne sigurnosne informacije. Ovo poglavlje je pripremljeno da poboljša razumevanje reči upozorenja i simbola.



Ovo je simbol sigurnosnog upozorenja. On se koristi da bi vas upozorio na potencijalne opasnosti povređivanja pri nesrećnim slučajevima. Da biste sprečili telesne povrede i smrtni ishod, pridržavajte se svih sigurnosnih poruka koje prate ovaj simbol.

▲ OPASNOST

OPASNOST ukazuje na opasnu situaciju koja, ako se ne izbegne, može prouzrokovati teške telesne povrede ili smrt.

▲ UPOZORENJE

UPOZORENJE označava opasnu situaciju koja, ako se ne izbegne, može prouzrokovati smrt ili teške telesne povrede.

▲ PAŽNJA

PAŽNJA označava opasnu situaciju koja, ako se ne izbegne, može prouzrokovati lakše ili srednje teške telesne povrede.

OBAVEŠTENJE

OBAVEŠTENJE ukazuje na informacije koje se odnose na zaštitu imovine.



Ovaj znak vas upozorava da pre korišćenja opreme pažljivo pročitate priručnik za korisnika da bi smanjili rizik od povreda. Priručnik za korisnika sadrži važne informacije o sigurnosti i ispravnom radu opreme.



Ovaj simbol znači da ovaj uređaj sadrži laser klase 2.



Ovaj simbol znači da ne gledate u laserski snop.



Ovaj simbol upozorava na prisutnost i opasnost od laserskog snopa.

Opšti sigurnosni propisi

▲ UPOZORENJE

Pročitajte sva sigurnosna upozorenja i instrukcije. Nepriдрžavanje upozorenja i uputstava može imati za posledicu električni udar, požar i/ili tešku povredu.

SAČUVAJTE OVA UPUTSTVA!

EZ deklaracija o usaglašenosti (890-011-320.10) će biti obezbeđena uz ovo uputstvo kao zasebna brošura na zahtev.

Sigurnost radnog područja

- **Pobrnite se da radno područje bude čisto i dobro osvetljeno.** Neuredna ili mračna područja su pogodna za nesreće.
- **Nemojte raditi sa opremom u eksplozivnim atmosferama, kao što su one u kojima postoje zapaljive tečnosti, gasovi ili prašina.** Oprema može stvoriti varnice koje mogu zapaliti prašinu ili gasove.
- **Držite decu i posmatrače na udaljenosti u toku rada opreme.** Ometanje vam može odvratiti pažnju i dovesti do gubitka kontrole.

Zaštita od struje

- **Izbegavajte telesni kontakt sa uzemljenim površinama, kao što su cevi, hladnjaci i rashladni uređaji.** Ako je vaše telo uzemljeno postoji povećana opasnost od električnog udara.
- **Opremu ne izlažite na kiši ili pri mokrim uslovima.** Ako u opremu uđe voda, povećava se opasnost od strujnog udara.

Lična zaštita

- **Budite u pripravnosti, koncentrišite se na svoj posao i oslanjajte se na zdrav razum pri radu sa opremom.** Opremu nemojte upotrebljavati ako ste umorni ili ako ste konzumirali drogu, alkohol i lekove. Trenutak nepažnje pri korišćenju opreme može imati za posledicu tešku telesnu povredu.

- **Koristite opremu za ličnu zaštitu.** Uvek nosite zaštitu za oči. Oprema za ličnu zaštitu, kao na primer maska za zaštitu od prašine, neklizajuće zaštitne cipele, zaštitna kaciga ili štitnici za uši, koja se koristi za odgovarajuće uslove, smanjuje opasnost od povreda.
- **Nemojte se naginjati nad radne delove uređaja. Proverite da li stojite na čvrstoj podlozi i u svakom trenutku održavajte ravnotežu.** To omogućava bolju kontrolu nad alatom u neočekivanim situacijama.

Način upotrebe i briga o opremi

- **Ne upotrebljavajte opremu na silu. Upotrebljavajte odgovarajuću opremu za određenu namenu.** Sa odgovarajućom opremom ćete obaviti posao bolje i sigurnije brzinom koja je predviđena.
- **Nemojte upotrebljavati opremu ako se prekidanjem ne može UKLUČITI i ISKLJUČITI.** Svaki alat koji se ne može kontrolisati pomoću prekidača je opasan i potrebno ga je popraviti.
- **Izvadite baterije iz opreme pre obavljanja bilo kakvih podešavanja, zamene dodatnog pribora, ili skladištenja.** Takve preventivne sigurnosne mere smanjuju rizik od povreda.
- **Ostavite opremu koju ne upotrebljavate izvan domašaja dece i nemojte dozvoliti da osobe koje nisu upoznate sa opremom ili sa ovim uputstvima upotrebljavaju opremu.** U rukama korisnika koji nisu obučeni oprema postaje opasna.
- **Održavajte opremu.** Proverite da pokretni delovi nisu neispravno poravnati ili spojeni, da li nedostaju neki delovi, da li su neki delovi popucali i da li postoje neki drugi uslovi koji mogu da utiču na rad opreme. Pre upotrebe popravite oštećenu opremu. Neispravno održavanje opreme može prouzrokovati brojne nesreće.
- **Upotrebljavajte opremu i pribor u skladu sa ovim uputstvima uzimajući u obzir radne uslove i vrstu posla koji ćete obaviti.** Upotreba opreme za poslove za koje ona nije predviđena, može dovesti do opasnih situacija.
- **Upotrebljavajte samo pribor koji preporučuje proizvođač opreme.** Pribor predviđen za rad sa određenom opremom može postati opasan kada se upotrebljava sa drugom opremom.

- **Održavajte ručke suvim i čistim; bez ulja i masti.** To omogućuje bolju kontrolu nad opremom.

Servisiranje

- **Opremu može servisirati samo kvalifikovano servisno osoblje koje upotrebljava identične rezervne delove.** To će omogućiti da se održi sigurnost alata.

Posebne sigurnosne informacije

⚠ UPOZORENJE

Ovo poglavlje sadrži važne sigurnosne informacije koje su specifične za ovaj alat.

Pažljivo pročitajte ove mere predostrožnosti pre upotrebe RIDGID® micro IR-200 beskontaktnog infracrvenog termometra da bi smanjili rizik od požara, eksplozije ili drugih ozbiljnih telesnih povreda.

SAČUVAJTE OVA UPUTSTVA!

Držite ovaj priručnik u blizini alata da bi ga rukovalac mogao upotrebiti.

Sigurnost infracrvenog termometra

- **Ne gledajte u laserski snop.** Gledanje u laserski snop može biti opasno za oči. Ne gledajte u laserski snop posredstvom optičkih pomagala (kao što su dvogled ili teleskop).
- **Ne usmeravajte laserski snop u smeru drugih ljudi.** Proverite da li je laser usmeren iznad ili ispod nivoa oka. Laserski snopovi mogu biti opasni za oči.
- **Nemojte koristiti ovaj uređaj za lični pregled ili ga upotrebiti za medicinsko ispitivanje na bilo koji način.** Ovo nije medicinski uređaj. Ovo može prouzrokovati telesne povrede.
- **Držite se odgovarajućih mera predostrožnosti kada radite u blizini električnih, pomerajućih ili vrućih delova.** Bliski kontakt može

prouzrokovati električni udar, zaplitanje, opekotine ili druge ozbiljne povrede. Može da bude neophodna upotreba zaštitne opreme.

⚠ PAŽNJA Upotreba kontrola ili prilagođavanja ili izvođenje postupaka koji nisu ovde navedeni može dovesti do opasnog izlaganja zračenju.

Ako imate nekih pitanja u vezi sa ovim RIDGID® proizvodom:

- Obratite se svojem lokalnom RIDGID distributeru.
- Posetite RIDGID.com da pronađete lokalni kontakt firme RIDGID.
- Obrnite se na odeljak za tehnične storitve za Ridge Tool na naslovu rttechservices@emerson.com, v ZDA in Kanadi pa lahko pokličete tudi (800) 519-3456.

Opis, tehnički podaci i standardna oprema

Opis

RIDGID® micro IR-200 beskontaktni infracrveni termometar daje jednostavna, brza i precizna očitavanja temperature površine nakon pritiska na taster. Jednostavno stisnite okidač i izmerite ultra oštri dvostruki laser klase II na površinu čiju temperaturu treba da izmerite. micro IR-200 trenutno prikazuje izmerenu temperaturu na jasnom LCD displeju sa pozadinskim osvetljenjem, jednostavnim za očitavanje. Pored brojne druge upotrebe, ovaj robustan, kompaktni instrument omogućuje profesionalnim zanatlijama da dijagnostikuju probleme sa grejanjem i ventilacijom, obavje preventivni pregled električnih motora i sistema, lociraju u otklone greške kod odvažača kondenzata i brzo provere osigurawe ili prekidače kola na pregrevanje, bez kontakta sa njima.

micro IR-200 koristi optiku da bi osetio emitovanu, reflektovanu i prenesenu energiju, koja je sakupljena i fokusirana na detektor. Uređaj elektronski prevodi informaciju u očitavanje temperature, koje je prikazano. Laseri se koriste kao pomoć u "nišanjenju".

Tehnički podaci

Temperaturni opseg.....	-58°F do 2192°F (-50°C do 1200°C)
Razmera rastojanja do mrlje.....	30 naprama 1
Tačnost merenja.....	-58°F ~68°F (50°C ~20°C): ±4.5°F (2,5°C) 68°F ~1472°F (20°C ~800°C) ±1,0% ili ±1.8°F (1,0°C)
Moć ponavljanja.....	-58°F ~68°F (50°C ~20°C): ±2.3°F (1,3°C) 68°F ~1472°F (20°C ~800°C) ±0,5% ili ±0.9°F (0,5°C)
Vreme odziva.....	150 ms
Spektralni odziv.....	8~14 um
Emisiona moć.....	Podesivo, 0,10 - 1,00
Indikacija prekoračenja opsega.....	LCD će prikazati "----"
Diodni laser.....	Izlaz <1 mW, talasna dužina 630~670 nm, laser klase 2
Prikazana temperatura.....	Trenutna temperatura, MAKS temperatura
Merne jedinice.....	Farenhajt, Celzijus
Radna temperatura.....	32°F do 122°F (0°C do 50°C)
Temperatura skladištenja.....	14°F do 140°F (-10°C do 60°C)
Rezolucija displeja.....	0.1°F (0,1°C)
Relativna vlažnost.....	10%~90% RH rad, <80% RH skladištenje
Baterije.....	9V baterija (1), NEDA 1604A ili IEC 6LR61, ili ekvivalent
IP klasa.....	IP54
Težina.....	0.6 lbs (0,3 kg)

Karakteristike

- Funkcija brze detekcije
- Dvostruki laser klase II sa vidljivim snopom
- Automatsko zadržavanje podataka
- Prikazi maksimalne temperature
- Precizna beskontaktna merenja
- Automatski izbor opsega i rezolucije displeja 0.1°F (0,1°C)
- Pozadinsko osvetljenje LCD displeja
- Blokiranje okidača
- Postavljanje alarma za visoku i nisku temperaturu
- Podesiva emisiona moć



Slika 1 – micro IR-200 beskontaktni infracrveni termometar

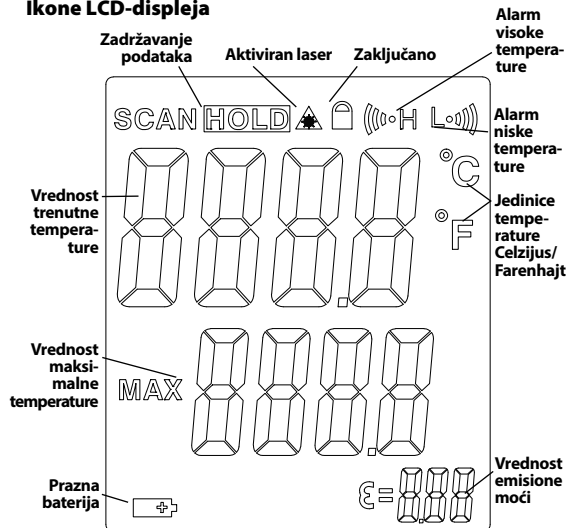
Delovi



Slika 2 – Delovi uređaja micro IR-200



Ikone LCD-displeja



Slika 3 – micro IR-200 ikone displeja

Standardna oprema

- micro IR-200
- Baterija 1 x 9V
- Prenosna kutija
- Priručnik za rukovaoca

OBAVEŠTENJE Ova oprema se upotrebljava za merenje temperature. Nepravilno korišćenje ili neodgovarajuća primena mogu dovesti do pogrešnog ili netačnog merenja. Izbor odgovarajuće metode merenja prema uslovima rada je dužnost korisnika.

Klasifikacija lasera



RIDGID micro IR-200 generiše vidljivi laserski snop koji se emituje sa prednjeg dela uređaja.

Uređaj je usklađen sa klasom 2 lasera, prema normi: IEC 60825-1:2007

FCC izjava

Ova oprema je bila testirana i za nju je utvrđeno da odgovara granicama za Klasu B digitalnih uređaja, saglasno delu 15 FCC pravila. Ta ograničenja su ustanovljena da bi se obezbedila prihvatljiva zaštita od štetnih uticaja kućnih instalacija.

Ova oprema stvara, koristi i može da emituje energiju radio frekvencije te, ako nije ugrađena i korišćena u skladu sa uputstvima, može izazvati štetne smetnje na radio komunikacijama.

Međutim, ne može se garantovati da do smetnji neće doći kod određenog načina ugradnje.

Ako ovaj uređaj stvara štetne smetnje radio i televizijskom prijemu, koje se mogu utvrditi isključivanjem i ponovnim uključivanjem uređaja, korisnik smetnje treba da ukloni na neki od sledećih načina:

- Preusmerite ili premestite antenu prijemnika.
- Povećajte udaljenost između uređaja i prijemnika.
- Potražite savet i pomoć prodavca ili iskusnog radio/TV tehničara.

Elektromagnetna usklađenost (EMC)

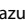
Pojam elektromagnetna usklađenost označava sposobnost proizvoda da tačno funkcioniše u okolini u kojoj su prisutna elektromagnetna zračenja i elektromagnetna pražnjenja, a da ne stvara elektromagnetne smetnje u drugoj opremi.

OBAVEŠTENJE RIDGID micro IR-200 ispunjava sve primenljive ECM standarde (ECM = European Common Market - evropsko zajedničko tržište). Međutim, mogućnost da dođe do smetnji u drugim uređajima ne može se isključiti.



Slika 4 – Skidanje odeljka za baterije

Ugradnja/Zamena baterija

Micro IR-200 je isporučen bez ugrađenih baterija. Ako indikator baterije (Slika 3) prikazuje , potrebno je zameniti bateriju. Izvadite bateriju pre dugog razdoblja skladištenja, da bi izbegli curenje baterije.

1. Pritisnite kopče baterije i uklonite odeljak za bateriju od termometra (Slika 4). Ako je potrebno, uklonite bateriju.

- Ugradite alkalnu bateriju od 9 V (6LR61), pazeći na ispravni polaritet, kao što je pokazano na odeljku za smeštaj baterije.



Slika 5 – Držač baterije i oznaka polariteta

- Stisnite kopče i čvrsto umetnite u termometar. Držač će sam pronaći svoj put. Nemojte upotrebiti silu. Uverite se da je dobro pričvršćen.

Provera pre upotrebe

⚠ UPOZORENJE

Pre svake upotrebe, proverite vaš infracrveni termometar i ispravite bilo koje probleme da bi smanjili rizik od povreda ili netačnih rezultata merenja.

Ne gledajte u laserski snop. Gledanje u laserski snop može biti opasno za oči.

- Očistite bilo koje ulje ili prljavštinu sa opreme. Na taj način olakšavate pregled.
- Proverite IR-200 na prisustvo slomljenih, istrošenih, nedostajućih, nepodešenih ili veznih delova ili na neko drugo stanje koje bi onemogućilo siguran i normalan rad.

- Proverite da li postoje nalepnice sa upozorenjem i da li su čvrsto učvršćena i čitljiva (Slika 6).
- Ukoliko se u toku pregleda uoče nepravilnosti, infracrveni termometar nemojte koristiti dok se ne izvrši pravilno servisiranje istog.
- Prateći uputstva za korištenje, uključite infracrveni termometar, obavite merenje i potvrdite isto merenje drugim instrumentom (kontaktni termometar, itd.). Ako odnos između merenja nije prihvatljiv, ne upotrebljavajte infracrveni termometar dok nije odgovarajuće servisiran.



Slika 6 – Upozoravajuće nalepnice



Podešavanje i rad

⚠ UPOZORENJE



Ne gledajte u laserski snop. Gledanje u laserski snop može biti opasno za oči. Ne gledajte u laserski snop posredstvom optičkih pomagala (kao što su dvogled ili teleskop).

Ne usmeravajte laserski snop u smeru drugih ljudi. Proverite da li je laser usmeren iznad ili ispod nivoa oka. Laserski snopovi mogu biti opasni za oči.

Držite se odgovarajućih mera predostrožnosti kada radite u blizini električnih, pomerajućih ili vrućih delova. Bliski kontakt može prouzrokovati električni udar, zaplitanje, opekotine ili druge ozbiljne povrede. Može da bude neophodna upotreba zaštitne opreme.

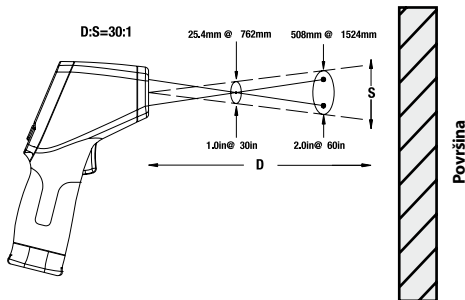
Podesite i upotrebite infracrveni termometar u skladu sa ovim procedurama da bi smanjili rizik od povrede ili netačnih rezultata merenja.

Podešavanje

1. Proverite odgovarajuću radnu oblast kao što je to navedeno u poglavlju *Opšta sigurnost*.
2. Proverite objekat koji treba biti izmeren i potvrdite da imate ispravnu opremu za tu namenu. *Pogledajte poglavlje Tehnički podaci* za opseg, tačnost i druge informacije.

Postoji mnoštvo faktora koji mogu uticati na preciznost micro IR-200 uređaja, uključujući:

Vidno polje – micro IR-200 koristi dva lasera da projektuje tačke na svakoj strani područja koje treba da bude izmereno. Ove tačke pokazuju približni prečnik područja ("mrlja") gde treba da bude izmerena temperatura. Što se micro IR-200 pomera dalje (D) od površine, veličina područja i mrlje (S) se povećava. Područje je otprilike $\frac{1}{30}$ razdaljine od površine. (Pogledajte *Sliku 7*).



Slika 7 – Vidno polje

Mrlja uvek treba da bude manja od površine. Što je površina manja, IR-200 treba da bude bliže površini. Za veliku preciznost, površina treba da bude dva puta veća od mrlje.

Emisiona moć – Emisiona moć je pojam koji se koristi za opis karakteristike emisije energije materijala i ima vrednost od 0 do 1. Mikro IR-200 omogućuje podešavanje vrednosti emisiona moći od 0,10 do 1,00 radi kalkulacije temperatura. Ako je karakteristika emisiona moći površine nepoznata, može se upotrebiti približna emisiona moć od 0,95 za većinu primena, kao što su obojane površine. Vrednosti emisiona moći za česte materijale su prikazane na *Slici 8*.

Materijal	Emisiona moć	Materijal	Emisiona moć
Aluminijum, polirani	0,05	Boja	0,95
Asfalt	0,88	Papir, beli	0,90
Cigla	0,90	Kreč, gruba	0,89
Beton, grubi	0,91	Guma	0,93
Bakar, polirani	0,04	Čelik, galvanizovani	0,28
Staklo	0,95	Čelik, oksidirani	0,88
Krečnjak	0,92	Voda	0,96
Mermer, polirani	0,90		

Slika 8 – Vrednosti emisione moći za česte materijale

Temperatura – Lako micro IR-200 kompenzuje promene u spoljašnjoj temperaturi, velike promene u spoljašnjoj i merenoj temperaturi mogu smanjiti tačnost merenja. Kada su značajne promene spoljašnje temperature (više od 30°F ili 17°C) suprotstavljene, sačekajte petnaest minuta da se micro IR-200 podesi za najbolju preciznost.

Opstrukcije – Para, prašina, dim i druge prepreke kao što je staklo ili plastika između micro IR-200 i površine merenja mogu smanjiti preciznost merenja. One smetaju optički uređaju ili daju pogrešna očitavanja (meri se temperatura stakla umesto potrebne površine). Nemojte koristiti uređaj kada su prisutne prepreke.

- Vodite računa da je sva oprema ispravno pregledana.

Rukovanje

Uključivanje i isključivanje (Očitavanje merenja)

- Držite micro IR-200 za rukohvat i usmerite ga na površinu čiju temperaturu treba izmeriti. Držite ga dalje od električnih, pokretnih ili vrućih delova. Proverite da li je uređaj usmeren u bezbednom smeru dalje od posmatrača pre uključivanja.
- Stisnite okidač da bi UKLJUČILI micro IR-200. Kada je okidač stisnut, uključena je ikona SCAN (skeniranje) i micro IR-200 će kontinualno ažurirati prikazane vrednosti trenutne temperature i prikazati vrednost maksimalne temperature od trenutka kada je uređaj bio uključen.

Možete lagano pomerati micro IR-200 preko površine da bi locirali vruća ili hladna područja. Pogledajte *Alarm visoke temperature i Alarm niske temperature* poglavlja za informacije o podešavanjima alarma visoke i niske temperature.

- Kada se okidač otpusti, uključite se ikona HOLD (držanje). micro IR-200 će se automatski ISKLJUČITI nakon sedam sekundi osim ako uređaj nije u režimu kontinualnog merenja.

micro IR-200 upravljački elementi



Slika 9 – micro IR-200 displej/tasteri

Režim kontinualnog merenja (Skeniranje)

micro IR-200 može da blokira okidač u uključenom položaju da bi se omogućilo merenje bez držanja okidača. Proverite da li je uređaj usmeren u bezbednom smeru dalje od posmatrača pre uključivanja. Uključite micro IR-200 stezanjem i držanjem okidača. Dok držite okidač, pritisnite i otpustite taster za meni. Uključuje se ikone SCAN (skeniranje) i Lock (blokiranje). Otpustite okidač i micro IR-200 će kontinualno ažurirati izmerene temperature sve dok se prekidač okidača ponovo ne stisne i otpusti.

Aktiviranje/Deaktiviranje lasera

Ako je potrebno, laseri koji se koriste za nišanje se mogu isključiti što pomaže očuvanju radnog veka baterije. Ako to učinite, morate upotrebiti dodatnu pažnju kada usmeravate micro IR-200 da bi obezbedili dobra očitavanja. Da bi aktivirali ili deaktivirali laser, dok držite okidač, pritisnite i otpustite taster za aktiviranje lasera. Kada je laser aktiviran uključuje se ikona aktiviranja lasera.

Pozadinsko svetlo

Za slučaj da se koristi u područjima sa malo svetla, micro IR-200 poseduje pozadinsko osvetljenje displeja. Da bi uključili ili isključili pozadinsko svetlo, dok je uređaj uključen, pritisnite taster za pozadinsko osvetljenje.

Upotreba tastera Meni

Nakon stezanja okidača, pritisak i otpuštanje tastera za meni će vam omogućiti da se krećete kroz sledeća podešavanja po ovom redosledu: Uključivanje/isključivanje alarma visoke temperature, podešavanje alarma visoke temperature, uključivanje/isključivanje alarma niske temperature, podešavanje alarma niske temperature, prikazane jedinice temperature, emisiona moć.

Alarm visoke temperature

Alarm visoke temperature emituje jedan zvučni signal kada trenutna temperatura premaši unapred postavljenu granicu. Da bi uključili alarm visoke temperature, stisnite i otpustite okidač i zatim pritisnite i otpustite taster za meni sve dok ikona alarma visoke temperature ne počne da treperi. Upotrebite tastere za naviše/naniže da izaberete karakteristiku UKLJ/ISKLJ alarma visoke temperature koja je prikazana na liniji vrednosti trenutne temperature. Ponovo pritisnite i otpustite taster za meni. Ikona alarma visoke temperature će nastaviti da treperi i pojaviće se alarm visoke temperature. Koristite tastere za naviše/naniže da promenite alarm visoke temperature po želji. Stisnite okidač da izađete iz režima za podešavanje i sačuvate vaš izbor.

Alarm niske temperature

Alarm visoke temperature emituje jedan zvučni signal kada trenutna temperatura padne ispod unapred postavljene granice. Da bi uključili alarm niske temperature, stisnite i otpustite okidač i zatim pritisnite i otpustite taster za meni sve dok ikona alarma niske temperature ne počne da treperi. Upotrebite tastere za naviše/naniže da izaberete karakteristiku UKLJ/ISKLJ alarma niske temperature koja je prikazana na liniji vrednosti trenutne temperature. Ponovo pritisnite i otpustite taster za meni. Ikona alarma niske temperature će nastaviti da treperi i pojaviće se alarm niske temperature. Koristite tastere za naviše/naniže da promenite alarm niske temperature po želji. Stisnite okidač da izađete iz režima za podešavanje i sačuvate vaš izbor.

Prikazane jedinice temperature - °C/°F

Micro IR-200 može da prikaže temperature u stepenima Celzijusa (C) ili i stepenima Farenhajta (F). Da bi promenili prikaz jedinica, stisnite i otpustite okidač i zatim pritisnite i otpustite taster za meni sve dok jedinica temperature na ekranu ne počne da treperi. Upotrebite tastere za naviše/naniže da se prebacite sa C na F ili obrnuto, po želji. Stisnite okidač da izađete iz režima za podešavanje i sačuvate vaš izbor.

Emisiona moć

Vrijednost faktora emisije može se postaviti od 0,10 do 1,00. Pogledajte poglavlje Postavljanje da biste ustanovili odgovarajuću vrednost za svoju primenu. Da biste podesili tu vrednost, stisnite i otpustite okidač, a zatim pritisnite i pustite taster za meni dok ne zatreperi vrednost emisione moćina displeju. Upotrebite tastere gore/dolje da biste povećali ili smanjili emisionu moć. Stisnite okidač za izaći iz namještanja i pohranite vaš odabir.

Čišćenje

Ne potapajte RIDGID micro IR-200 beskontaktni infracrveni termometar u vodu. Obrišite prljavštinu mokrom, mekom krpom. Ne koristite agresivna sredstva za čišćenje ili rastvarače. Postupajte sa instrumentom kao što biste postupali sa teleskopom ili kamerom.

Skladištenje

RIDGID micro IR-200 infracrveni termometar mora biti uskladišten na suvom i sigurnom mestu na temperaturi između 14°F (-10°C) i 140°F (60°C).

Uskladištite ovaj alat u zaključanom prostoru izvan domašaja dece i osoba koje nisu upoznate sa micro IR-200.

Izvadite bateriju pre dužeg perioda odlaganja, ili ako se negde šalje, da bi izbegli curenje baterije.

Servisiranje i popravke

⚠ UPOZORENJE

Neodgovarajuće servisiranje ili popravak može učiniti RIDGID micro IR-200 beskontaktni infracrveni termometar opasnim za rad.

Servis i popravak uređaja mikro IR-200 mora da obavlja ovlašćeni nezavisni servisni centar RIDGID.

Za dodatne informacije o vama najbližem nezavisnom ovlašćenom RIDGID servisnom centru ili pitanjima u vezi popravke ili servisa:

- Obratite se svojem lokalnom RIDGID distributeru.
- Posetite RIDGID.com da bi pronašli svoje lokalno Ridge Tool kontaktno mesto.
- Obrnite se na oddelek za tehnične storitve za Ridge Tool na naslovu rttechservices@emerson.com, v ZDA in Kanadi pa lahko pokličete tudi (800) 519-3456.

Odstranjivanje

Delovi RIDGID micro IR-200 beskontaktnog infracrvenog termometra sadrže vredne materijale i mogu se reciklirati. Pronađite lokalne firme koje se bave reciklažom. Odstranite sastavne delove u skladu sa svim primenljivim zakonskim propisima. ontaktirajte lokalnu instituciju za upravljanje otpadom za više informacija.



Za države EU: Ne odlažite električnu opremu zajedno sa kućnim otpadom!

Prema evropskoj preporuci 2012/19/EU za odlaganje električne i elektronske opreme i njihovoj implementaciji u zakonodavstvu, električna oprema koja se više ne može koristiti mora biti posebno sakupljena i odložena na način koji je u skladu sa zaštitom okoline.

Odstranjivanje baterija

Za države EU: Oštećene ili korišćene baterije moraju se reciklirati u skladu sa smernicom 2012/19/EU.

Прибор micro IR-200

Прибор micro IR-200 Бесконтактный инфракрасный термометр



ВНИМАНИЕ

Прежде чем пользоваться этим прибором, внимательно прочитайте данное руководство по эксплуатации. Непонимание и несоблюдение содержания данного руководства может привести к поражению электрическим током, пожару и (или) серьезной травме.

Бесконтактный инфракрасный термометр micro IR-200

Запишите серийный номер, указанный далее, и сохраните серийный номер, указанный на фирменной табличке.

Серийный
№.

--	--

Содержание

Бланк для записи серийного номера прибора	279
Обозначения техники безопасности	281
Общие правила техники безопасности	282
Безопасность в рабочей зоне	282
Электробезопасность	282
Личная безопасность	282
Эксплуатация и обслуживание оборудования	282
Техническое обслуживание	283
Информация по технике безопасности при работе с данным устройством	283
Техника безопасности при работе с инфракрасным термометром	283
Описание, характеристики и стандартные принадлежности	283
Описание	283
Технические характеристики	284
Детали	285
Значки ЖК-дисплея	285
Стандартные принадлежности	285
Классификация лазера	286
Заявление Федеральной Комиссии связи США	286
Электромагнитная совместимость (ЭМС)	286
Замена/Установка батарей	286
Предэксплуатационный осмотр	287
Подготовка и эксплуатация устройства	288
Подготовка устройства к работе	288
Функционирование	289
Включение и выключение прибора (Выполнение измерений)	289

Органы управления прибора micro IR-200	290
Непрерывный режим измерения (Сканирование)	290
Включение/Выключение лазера	290
Тыльная подсветка дисплея	290
Пользование кнопкой Меню	290
Сигнализация высокого предела измерения	290
Сигнализация низкого предела измерения	291
Единицы измерения температуры на дисплее - °C/°F	291
Излучательная способность	291
Чистка	291
Хранение	291
Обслуживание и ремонт	292
Утилизация	292
Утилизация батареек	292
Декларация соответствия CE	Внутренняя сторона задней обложки
Пожизненная гарантия	Задняя обложка

* Перевод исходных инструкций

Обозначения техники безопасности

В данном руководстве по эксплуатации инструмента обозначения техники безопасности и сигнальные слова используются для сообщения важной информации по безопасности. В данном разделе объясняется значение этих сигнальных слов и знаков.



Это обозначение опасности. Оно используется, чтобы предупредить вас о травматических опасностях. Следуйте всем сообщениям по технике безопасности, которые следуют за данным символом, чтобы избежать возможных травм или летального исхода.



ОПАСНО ОПАСНО указывает на опасную ситуацию, которая, если ее не избежать, приведет к летальному исходу либо значительной травме.



ВНИМАНИЕ ВНИМАНИЕ указывает на опасную ситуацию, которая, если ее не избежать, может привести к летальному исходу либо значительной травме.



ОСТОРОЖНО ОСТОРОЖНО указывает на опасную ситуацию, которая, если ее не избежать, может привести к незначительной либо средней тяжести травме.



ПРЕДУПРЕЖДЕНИЕ ПРЕДУПРЕЖДЕНИЕ указывает на информацию, относящуюся к защите собственности.



Это обозначение означает "внимательно прочитайте руководство по эксплуатации перед использованием оборудования". Руководство по эксплуатации содержит важную информацию по безопасной и надлежащей работе с оборудованием.



Этот символ означает, что в данном устройстве применен лазер Класса 2.



Этот символ означает, что запрещается направлять луч лазера в глаза.



Этот символ предупреждает о наличии опасного лазерного луча.

Общие правила техники безопасности

⚠ ВНИМАНИЕ

Прочтите все предупреждения относительно безопасного использования и все инструкции. Несоблюдение этих предупреждений и инструкций может привести к поражению электрическим током, пожару и/или серьезной травме.

СОХРАНИТЕ НАСТОЯЩУЮ ИНСТРУКЦИЮ!

Декларация соответствия ЕС (890-011-320.10) выпускается отдельным сопроводительным буклетом к данному руководству только по требованию.

Безопасность в рабочей зоне

- Рабочая зона должна быть расчищена и хорошо освещена. Несчастные случаи происходят, как правило, в загроможденных и слабоосвещенных зонах.
- Недопустимо использовать оборудование во взрывоопасных средах, то есть вблизи горючих жидкостей, газов или пыли. При работе с оборудованием могут появиться искры, что может привести к воспламенению пыли или газов.
- Не допускается присутствие детей и посторонних лиц во время работы с оборудованием. Не отвлекайтесь от работы, чтобы не потерять управление прибором.

Электробезопасность

- Не прикасайтесь к заземленным поверхностям, например, трубам, нагревателям, печам и холодильникам. В противном случае, если тело человека заземлено, риск поражения током повышается.
- Берегите оборудование от дождя и влаги. Проникновение воды внутрь оборудования увеличивает риск удара током.

Личная безопасность

- Будьте внимательны, контролируйте выполняемые действия и пользуйтесь здравым смыслом при работе с прибором. Запрещается эксплуатировать прибор, находясь в уставшем состоянии или под действием наркотиков, алкоголя или лекарственных препаратов. Потеря концентрации при работе с оборудованием может привести к серьезным травмам.

- Используйте индивидуальные средства защиты. Всегда используйте средства защиты глаз. Использование в соответствующих условиях пылезащитной маски, ботинок с нескользящими подошвами, каски, берушей и других защитных средств снижает травмоопасность.
- Не перенапрягайтесь. Ноги должны быть надлежащим образом расставлены, чтобы в любое время обеспечивать равновесие. Это обеспечивает более уверенное владение прибором в непредсказуемых ситуациях.

Эксплуатация и обслуживание оборудования

- Не перегружайте оборудование. Используйте соответствующее оборудование для каждого типа работы. Правильный выбор оборудования способствует более качественному, безопасному и быстрому выполнению работы.
- Не допускается использование оборудования, если его переключатель не переводится в положение «ВКЛ.» или «ВЫКЛ.». Инструмент, который нельзя включить или выключить, опасен и нуждается в ремонте.
- Перед выполнением любых регулировок, замены принадлежностей или постановкой прибора на хранение следует вынуть из него батарейки электропитания. Подобные меры предосторожности снижают травмоопасность.
- Храните неиспользуемое оборудование вдали от детей. Не допускайте использование оборудования лицами, не работавшими с ним ранее и не ознакомленными с данными инструкциями. Оборудование может представлять опасность в руках неквалифицированных пользователей.
- Следите за состоянием оборудования. Следует проверять отсутствие несоосности или заедания движущихся частей, отсутствия или поломки деталей и иных условий, которые могут отрицательно повлиять на работу прибора. В случае повреждения оборудования устраните неполадки перед работой. Неисправное техническое состояние прибора является причиной многих несчастных случаев.
- Используйте оборудование и принадлежности в соответствии с настоящей инструкцией, принимая во внимание условия и цели эксплуатации. Использование оборудования не по назначению может стать причиной опасной ситуации.

- **Используйте только принадлежности, рекомендованные производителем для данного прибора.** Принадлежности, подходящие для работы с одним оборудованием, могут быть опасными при использовании с другим.
- **Следите за тем, чтобы ручки прибора оставались сухими и чистыми; не допускайте попадания на них масла или смазки.** Это обеспечивает надежное управление оборудованием.

Техническое обслуживание

- **Ремонт оборудования должен осуществляться квалифицированным персоналом с использованием оригинальных запасных частей.** Только таким образом гарантируется безопасность при использовании прибора.

Информация по технике безопасности при работе с данным устройством

▲ ВНИМАНИЕ

Данный раздел содержит важную информацию по безопасности, имеющую отношение именно к данному прибору. Чтобы снизить риск возникновения пожара, взрыва или получения тяжелой травмы, перед использованием бесконтактного инфракрасного термометра micro IR-200 RIDGID® внимательно ознакомьтесь с указанными мерами предосторожности.

СОХРАНИТЕ НАСТОЯЩУЮ ИНСТРУКЦИЮ!

Храните данную инструкцию рядом с прибором для использования ее оператором.

Техника безопасности при работе с инфракрасным термометром

- **Запрещается направлять луч лазера в глаза.** Луч лазера, направленный в глаза, может быть опасен. Запрещается наблюдать луч лазера напрямую с помощью оптических приборов (например, биноклей или телескопов).
- **Запрещается направлять луч лазера на других людей.** Луч лазера следует направлять выше или ниже уровня глаз. Лучи лазера могут быть опасны для органов зрения.
- **Не используйте этот прибор для осмотра людей или какой-либо иной медицинской цели.** Это не медицинский прибор. Такое применение прибора может привести к травмам.

- **При работе вблизи электроприборов, движущихся или горячих деталей следует соблюдать соответствующие меры предосторожности.** Касание таких объектов может привести к поражению электрическим током, к попаданию в движущиеся детали и к другим серьезным травмам. Возможно, потребуется надеть индивидуальные средства защиты.

▲ ОСТОРОЖНО Использование регулировок или настроек, отличных от указанных в настоящем документе, а также несоблюдение указанных процедур могут привести к опасному воздействию радиационного излучения.

Если у вас возникли вопросы, касающиеся данного изделия RIDGID®:

- Обратитесь к местному дистрибьютору RIDGID.
- Чтобы найти контактный телефон местного дистрибьютора RIDGID, войдите на сайт RIDGID.com.
- Обратитесь в отдел технического обслуживания компании Ridge Tool по адресу rtctechsupport@emerson.com, в США и Канаде можно также позвонить по номеру (800) 519-3456.

Описание, характеристики и стандартные принадлежности

Описание

Бесконтактный инфракрасный термометр RIDGID® micro IR-200 позволяет просто, быстро и точно определить температуру поверхности одним нажатием кнопки. Необходимо просто нажать спусковую кнопку и направить лучи двух сверхчетких лазеров класса II на измеряемую поверхность. Термометр micro IR-200 обеспечивает быстрое измерение температуры с помощью четкого и разборчивого ЖК дисплея с тыльной подсветкой. Помимо различных других видов применения, этот надежный и компактный прибор позволяет профессиональным специалистам выполнять поиск дефектов в системах отопления и вентиляции, осуществлять профилактический контроль электродвигателей и систем, выполнять поиск и устранение неисправностей в конденсационных горшках и быстро бесконтактно проверять отсутствие перегрева предохранителей или автоматических выключателей. В приборе micro IR-200 используется оптика для измерения излученной, отраженной и передаваемой энергии, которая собирается и фокусируется на датчике. Электронные схемы прибора преобразуют эту информацию в показание температуры, которое выводится на дисплей. Лучи лазеров используются для облегчения нацеливания прибора.

Технические характеристики

Диапазон температур.....	от -58°F до 2192°F (от -50°C до 1200°C)
Отношение расстояния до поверхности к размеру пятна.....	30 : 1
Точность измерения.....	-58°F ~68°F (50°C ~20°C): ±4.5°F (2,5°C) 68°F ~1472°F (20°C ~800°C) ±1,0% или ±1.8°F (1,0°C)
Воспроизводимость измерений.....	-58°F ~68°F (50°C ~20°C): ±2.3°F (1,3°C) 68°F ~1472°F (20°C ~800°C) ±0,5% или ±0.9°F (0,5°C)
Время ответной реакции.....	150 мс
Спектральная характеристика.....	8~14 мкм
Коэффициент излучения.....	Регулируемая, 0,10 - 1,00
Индикация превышения диапазона.....	На ЖК дисплее появится "----"
Диодный лазер.....	Выходная мощность <1 мВт, длина волны 630~670 нм, лазер класса 2
Дисплей температуры.....	Текущая температура, максимальная температура
Единицы измерения.....	Градусы Фаренгейта, Цельсия
Диапазон рабочих температур.....	от 32°F до 122°F (от 0°C до 50°C)
Температура хранения.....	от 14°F до 140°F (от -10°C до 60°C)
Разрешающая способность дисплея.....	0.1°F (0,1°C)
Относительная влажность.....	10%~90% рабочая отн. влажн., <80% отн. влажн. хранения
Батарейка питания.....	Батарейка напряжением 9 В (1), NEDA 1604A или IEC 6LR61, или аналогичная
Класс защиты IP.....	IP54
Вес.....	0.6 фунта (0,3 кг)

Характерные особенности

- Функция быстрого измерения
- Нацеливание двух лазеров класса II
- Автоматическая фиксация данных
- Отображение максимальной температуры
- Точные бесконтактные измерения
- Автоматический выбор диапазона и разрешающая способность на дисплее 0,1°F (0,1°C)
- ЖК-дисплей с тыльной подсветкой
- Блокировка спусковой кнопки
- Установка сигнализации верхнего и нижнего пределов измерения
- Регулируемая излучательная способность



Рис. 1 – Бесконтактный инфракрасный термометр micro IR-200

Детали



Рис. 2 – Детали прибора micro IR-200



Значки ЖК-дисплея

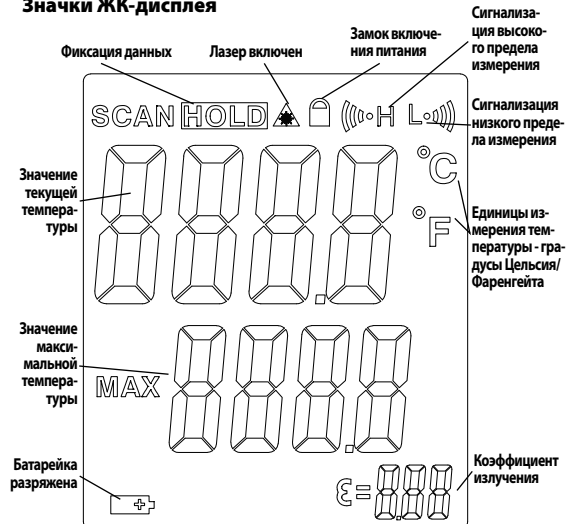


Рис. 3 – Значки на дисплее прибора micro IR-200

Стандартные принадлежности

- Прибор micro IR-200
- Футляр для переноски
- Батарея питания 1 шт. x 9 В
- Руководство оператора

ПРЕДУПРЕЖДЕНИЕ Данный прибор предназначен для измерения температуры. Неверная эксплуатация или неправильное применение прибора могут привести к неверным или к неточным результатам измерений. Выбор соответствующего способа измерения для конкретных условий предоставляется самому пользователю.

Классификация лазера



Инфракрасный термометр RIDGID micro IR-200 генерирует видимый лазерный луч, излучаемый из переднего торца прибора.

Прибор соответствует параметрам лазеров класса 2, указанным в стандартах: IEC 60825-1:2007

Заявление Федеральной Комиссии связи США

Данный прибор был протестирован и показал соответствие с ограничениями для Класса В цифровых устройств, в соответствии с Частью 15 Правил ФКС. Эти ограничения представляют собой обоснованную защиту против недопустимых помех в жилых помещениях.

Этот прибор генерирует, использует и может излучать энергию радиочастот, и, если он не будет установлен и использован в соответствии с руководством, может создавать недопустимые помехи для радиосвязи.

Однако нет гарантий, что в каком-то конкретном случае не случится помех.

Если данный прибор создает недопустимые помехи для радио либо телевизионного приема, что можно определить включая и выключая прибор, пользователь может попробовать исправить помехи следующими способами:

- Переориентировать либо переместить принимающую антенну.
- Увеличить дистанцию между прибором и приемником.
- Получить консультацию у дилера либо опытного техника по радио/ТВ.

Электромагнитная совместимость (ЭМС)


Термин "электромагнитная совместимость" использован с целью обозначить способность продукта безошибочно функционировать в среде с излучаемыми электромагнитными помехами и электростатическими разрядами, не создавая электромагнитных помех другому оборудованию.

ПРЕДУПРЕЖДЕНИЕ Инфракрасный термометр RIDGID micro IR-200 соответствует всем действующим стандартам по электромагнитной совместимости ЭМС. Однако, невозможно полностью исключить вероятность



Рис. 4 – Извлечение держателя батарейки

Замена/Установка батарей

Инфракрасный термометр micro IR-200 поставляется без батарейки питания. Если на дисплее прибора загорается индикатор батарейки  (Рис. 3), то разряженную батарейку прибора следует заменить. Извлеките батарейку из прибора перед его длительным хранением во избежание возникновения течи электролита из батарейки.

1. Сожмите защелки держателя батарейки и извлеките держатель батарейки из термометра (Рис. 4). При необходимости извлеките батарейку.
2. Установите щелочную 9-вольтовую батарейку (6LR61), соблюдая надлежащую полярность, указанную на держателе батарейки.



Рис. 5 – Держатель батарейки и маркировка полярности

3. Сожмите защелки и плотно вставьте держатель батарейки в термометр. Держатель батарейки можно вставить в прибор только в одном положении. Не следует прилагать усилий. Проверьте надежность крепления.

Предэксплуатационный осмотр

⚠ ВНИМАНИЕ

Перед каждым применением проверяйте инфракрасный термометр и устраняйте любые обнаруженные неисправности, чтобы снизить опасность травмы или риск получения неверного измерения. Запрещается направлять луч лазера в глаза. Луч лазера, направленный в глаза, может быть опасен.

1. Удалите любое масло, смазку или грязь с прибора. Это также является частью проверки.

2. Осмотрите прибор micro IR-200 и убедитесь в отсутствии поврежденных, изношенных, утерянных, несоосных или заедающих деталей или любых других неисправностей, которые могут помешать нормальной и безопасной работе.
3. Проверьте, на месте ли предупредительные этикетки, хорошо ли они прикреплены и разборчивы (Рис. 6).
4. Если во время проверки были обнаружены какие-либо неисправности, не пользуйтесь инфракрасным термометром до их устранения.
5. В соответствии с инструкцией по эксплуатации включите инфракрасный термометр, выполните измерение и проверьте полученное показание с помощью другого прибора (контактного термометра и пр.). Если отличия в показаниях недопустимые, не пользуйтесь инфракрасным термометром до выполнения надлежащего технического обслуживания.



Рис. 6 – Предупредительные этикетки

Подготовка и эксплуатация устройства

⚠ ВНИМАНИЕ



Запрещается направлять луч лазера в глаза. Луч лазера, направленный в глаза, может быть опасен. Запрещается наблюдать луч лазера напрямую с помощью оптических приборов (например, биноклей или телескопов).

Запрещается направлять луч лазера на других людей. Луч лазера следует направлять выше или ниже уровня глаз. Лучи лазера могут быть опасны для органов зрения.

При работе вблизи электроприборов, движущихся или горячих деталей следует соблюдать соответствующие меры предосторожности. Касание таких объектов может привести к поражению электрическим током, к попаданию в движущиеся детали и к другим серьезным травмам. Возможно, потребуются надеть индивидуальные средства защиты.

Подготовьте инфракрасный термометр к работе и выполняйте его эксплуатацию в соответствии с данными процедурами, чтобы снизить опасность травмы или риск получения неверного измерения.

Подготовка устройства к работе

1. Проведите проверку рабочей зоны, как указано в разделе *Общие правила техники безопасности*.
2. Проверьте измеряемый объект и убедитесь, что данный измерительный прибор подходит для применения. Диапазон, погрешность измерения и другая информация представлены в разделе *Технические характеристики*.

Имеется много факторов, которые могут отрицательно сказаться на точности показаний прибора micro IR-200, в том числе:

Зона обзора прибора – В приборе micro IR-200 используются два лазера для проецирования точек нацеливания с каждой стороны от измеряемой зоны. Эти точки указывают приблизительный диаметр зоны, в которой прибор измеряет температуру ("пятно"). При удалении прибора micro IR-200 от поверхности (D) зона и размер пятна измерения (S) увеличиваются. Размер зоны измерения составляет приблизительно $\frac{1}{30}$ расстояния до поверхности. (См. Рис. 7).

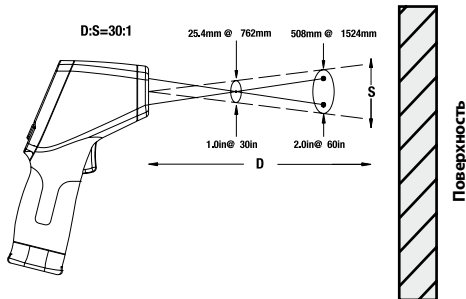


Рис. 7 – Зона обзора прибора

Пятно измерения всегда должно быть меньше измеряемой поверхности. Чем меньше поверхность, тем ближе следует располагать прибор micro IR-200 к поверхности. Для достижения наивысшей точности поверхность должна быть в два раза больше пятна измерения.

Излучательная способность – Это показатель, используемый для описания свойства выделения энергии материалами. Его значения находятся в диапазоне от 0 до 1. Для расчета темпе-

ратур прибор micro IR-200 позволяет регулировать значение излучательной способности от 0,10 до 1,00. Если излучательная способность поверхности неизвестна, можно использовать значение 0,95, которое подходит для большинства применений, например, для окрашенных поверхностей. Значения излучательной способности для типовых материалов приведены на Рис. 8.

Материал	Излучательная способность	Материал	Излучательная способность
Алюминий, шлифованный	0,05	Краска	0,95
Асфальт	0,88	Бумага, белая	0,90
Кирпич	0,90	Штукатурка, грубая	0,89
Бетон, неотделанный	0,91	Резина	0,93
Медь, шлифованная	0,04	Сталь, оцинкованная	0,28
Стекло	0,95	Сталь, окислированная	0,88
Известняк	0,92	Вода	0,96
Мрамор, полированный	0,90		

Рис. 8 – Значения излучательной способности типовых материалов

Температура – Хотя прибор micro IR-200 осуществляет компенсацию изменений температуры окружающей среды, значительные изменения температуры окружающей среды и измеренной температуры могут привести к понижению точности измерения. При значительных изменениях температуры окружающей среды (более 30°F или 17°C) для достижения прибором micro IR-200 максимальной точности измерения следует выдержать его пятнадцать минут при новой температуре.

Препятствия – Пар, пыль, дым и другие препятствия, например, стекло или пластик между прибором micro IR-200 и измеряемой поверхностью могут приводить к снижению точности измерения. Эти препятствия мешают работе оптики прибора или дают неверные показания (измеряется температура стекла вместо поверхности). При наличии препятствий не следует пользоваться прибором.

- Удостоверьтесь в полной проверке всего оборудования.

Функционирование

Включение и выключение прибора (Выполнение измерений)

- Возьмитесь за ручку прибора micro IR-200 и направьте его на измеряемую поверхность. Не работайте с инфракрасным термометром вблизи электроприборов, движущихся или горячих деталей. Перед включением прибора убедитесь, что он направлен в безопасное место в сторону от посторонних.
- Чтобы включить прибор micro IR-200, нажмите его спусковую кнопку. После нажатия спусковой кнопки на дисплее появится значок сканирования SCAN, и прибор micro IR-200 начнет постоянно обновлять значение текущей измеренной температуры, при этом на дисплее также появится максимальное значение измеренной температуры, отсчитываемое от момента включения прибора. Прибор micro IR-200 можно медленно перемещать над поверхностью для поиска горячих или холодных зон. В разделах "Сигнализация высокого предела измерения" и "Сигнализация низкого предела измерения" представлена информация о настройках высокого и низкого пределов измерения.
- После отпускания спусковой кнопки прибора на дисплее появится значок фиксации измерения HOLD. Прибор micro IR-200 автоматически выключится через несколько секунд, если он не находится в непрерывном режиме измерения температуры.

Органы управления прибора micro IR-200



Рис. 9 – Дисплей и кнопки прибора micro IR-200

Непрерывный режим измерения (Сканирование)

Прибор micro IR-200 можно зафиксировать во включенном состоянии, чтобы выполнять измерения без постоянного нажатия спусковой кнопки. Перед включением прибора убедитесь, что он направлен в безопасное место в сторону от посторонних. Включите прибор micro IR-200, для этого нажмите и удерживайте его спусковую кнопку. Удерживая нажатой спусковую кнопку прибора, нажмите и отпустите кнопку меню. На дисплее появится значок сканирования SCAN и значок замка фиксации включения прибора. Отпустите спусковую кнопку, прибор micro IR-200 будет непрерывно измерять температуру до следующего нажатия и отпущения спусковой кнопки.

Включение/Выключение лазера

Для экономии энергии батарейки при необходимости можно выключить лазеры, применяемые для нацеливания прибора. После этого для получения надежных результатов измерения следует тщательнее нацеливать прибор micro IR-200. Чтобы включить или выключить лазер, при нажатой спусковой кнопке прибора нажмите и отпустите кнопку включения лазера. При включенном лазере на дисплее появится треугольный значок включения лазера.

Тыльная подсветка дисплея

Для работы в плохо освещенных местах в приборе micro IR-200 предусмотрена тыльная подсветка дисплея. Чтобы включить или выключить тыльную подсветку дисплея включенного прибора, нажмите кнопку тыльной подсветки.

Пользование кнопкой Меню

После нажатия спусковой кнопки прибора нажатие и отпущение кнопки Меню позволяет циклически переключать нижеследующие настройки в указанном порядке: ВКЛ/ВЫКЛ сигнализации высокого предела измерения, настройка высокого предела измерения температуры, ВКЛ/ВЫКЛ сигнализации низкого предела измерения, настройка низкого предела измерения температуры, единицы отображения температуры, излучательная способность.

Сигнализация высокого предела измерения

Сигнализация высокого предела измерения подает звуковой сигнал, когда текущая температура превышает предварительно заданный предел. Чтобы включить сигнализацию высокого предела измерения, следует нажать и отпустить спусковую кнопку, а затем нажимать и отпускать кнопку Меню до тех пор, пока не начнет мигать значок сигнализации высокого предела измерения. Используйте кнопки со стрелками вверх/вниз для включения/выключения функции сигнализации высокого предела измерения, температура которого указана в строке значения текущей температуры. Нажмите и отпустите кнопку Меню еще раз. Значок

сигнализации высокого предела измерения будет продолжать мигать, и на дисплее появится температура сигнализации высокого предела измерения. Используйте кнопки со стрелками вверх/вниз, чтобы требуемым образом изменить температуру сигнализации высокого предела измерения. Для сохранения выбранной настройки и выхода из режима настройки нажмите спусковую кнопку прибора.

Сигнализация низкого предела измерения

Сигнализация низкого предела измерения подает звуковой сигнал, когда текущая температура становится ниже предварительно заданного предела. Чтобы включить сигнализацию низкого предела измерения, следует нажать и отпустить спусковую кнопку, а затем нажимать и отпускать кнопку Меню до тех пор, пока не начнет мигать значок сигнализации низкого предела измерения. Используйте кнопки со стрелками вверх/вниз для включения/выключения функции сигнализации низкого предела измерения, температура которого указана в строке значения текущей температуры. Нажмите и отпустите кнопку Меню еще раз. Значок сигнализации низкого предела измерения будет продолжать мигать, и на дисплее появится температура сигнализации низкого предела измерения. Используйте кнопки со стрелками вверх/вниз, чтобы требуемым образом изменить температуру сигнализации низкого предела измерения. Для сохранения выбранной настройки и выхода из режима настройки нажмите спусковую кнопку прибора.

Единицы измерения температуры на дисплее - °C/°F

Прибор micro IR-200 может отображать температуру на дисплее в градусах Цельсия (°C) или Фаренгейта (°F). Чтобы переключить единицы измерения температуры на дисплее, следует нажать и отпустить спусковую кнопку, а затем нажимать и отпускать кнопку Меню до тех пор, пока не начнет мигать единица измерения температуры на дисплее. Чтобы переключить единицы измерения температуры на дисплее °C или °F, следует нажать кнопку со стрелкой вверх или вниз. Для сохранения выбранной настройки и выхода из режима настройки нажмите спусковую кнопку прибора.

Излучательная способность

Излучательная способность может быть установлена равной значению от 0,10 до 1,00. Для определения значения, соответствующего вашему применению, обратитесь к разделу «Настройка». Чтобы отрегулировать это значение, нажмите и отпустите спусковую кнопку, а затем нажимайте и отпускайте кнопку Меню до тех пор, пока на экране не будет мигать значение излучательной способности. Для увеличения или уменьшения значения излучательной способности используйте кнопки со стрелками вверх/вниз. Для сохранения выбранной настройки и выхода из режима настройки нажмите спусковую кнопку прибора.

Чистка

Запрещается погружать бесконтактный инфракрасный термометр RIDGID micro IR-200 в воду. Грязь с прибора следует вытирать влажной мягкой тряпкой. Запрещается использовать для чистки агрессивные чистящие средства или растворы. С прибором следует обращаться как со сложным оптическим прибором (например, телескопом или фотокамерой).

Хранение

Бесконтактный инфракрасный термометр micro IR-200 RIDGID следует хранить в сухом безопасном месте при температуре от 14°F (-10°C) до 140°F (60°C).

Прибор надлежит хранить в запираемом помещении, недоступном для детей и людей, которые не знакомы с инфракрасным термометром micro IR-200.

Извлеките батарейку из прибора перед его длительным хранением или транспортировкой во избежание возникновения течи электролита из батарейки.

Обслуживание и ремонт

▲ ВНИМАНИЕ

Неправильное обслуживание или ремонт может стать причиной неполадок в работе бесконтактного инфракрасного термометра micro IR-200 RIDGID.

Обслуживание и ремонт инфракрасного термометра micro IR-200 следует выполнять в авторизованном независимом сервис-центре RIDGID.

Для получения информации о ближайшем авторизованном независимом сервис-центре RIDGID, а также с любыми вопросами по обслуживанию и ремонту:

- Обратитесь к местному дистрибьютору RIDGID.
- Войдите на сайт RIDGID.com в сети Интернет, чтобы найти контактный телефон местного дистрибьютора компании Ridge Tool.
- Обратитесь в отдел технического обслуживания компании Ridge Tool по адресу rtctechservices@emerson.com, в США и Канаде можно также позвонить по номеру (800) 519-3456.

Утилизация

Детали бесконтактного инфракрасного термометра micro IR-200 RIDGID содержат ценные материалы и могут быть подвергнуты повторной переработке. В своем регионе вы можете найти компании, специализирующиеся на утилизации. Утилизируйте компоненты в соответствии со всеми нормативами. Узнайте дополнительную информацию в местной организации по утилизации отходов.



Для стран ЕС: Не утилизируйте электрооборудование вместе с бытовыми отходами!

В соответствии с Директивой 2012/19/EU по утилизации электрического и электронного оборудования, электрическое оборудование, не пригодное для дальнейшего использования, следует собирать отдельно и утилизировать безопасным для окружающей среды способом.

Утилизация батареек

Для стран ЕС: Дефектные и использованные батарейки подлежат повторной переработке в соответствии с директивой 2012/19/EU.

micro IR-200

micro IR-200 Temassız Kızılötesi Termometre



⚠ UYARI

Bu aleti kullanmadan önce kullanıcı kılavuzunu dikkatle okuyun. Bu kılavuzun içeriğinin anlaşılması ve ona uyulmaması elektrik çarpması, yangın ve/veya ağır kişisel yaralanmalara yol açabilir.

micro IR-200 Temassız Kızılötesi Termometre

Aşağıdaki Seri Numarası'nı kaydedin ve isim levhasındaki ürün seri numarasını muhafaza edin.

Seri
No.

İçindekiler

Makine Seri Numarası için Kayıt Formu	293
Güvenlik Sembolleri	295
Genel Güvenlik Kuralları	296
Çalışma Alanı Güvenliği	296
Elektrik Güvenliği	296
Kişisel Güvenlik	296
Kullanım ve Bakım	296
Servis	297
Özel Güvenlik Bilgileri	297
Kızılötesi Termometre Güvenliği	297
Açıklama, Teknik Özellikler ve Standart Ekipman	297
Açıklama	297
Özellikler	298
Parçalar	299
LCD Ekran Simgeleri	299
Standart Ekipman	299
Lazer Sınıflandırması	300
FCC Açıklaması	300
Elektromanyetik Uyumluluk (EMC)	300
Pillerin Değiştirilmesi/Takılması	300
Çalışma Öncesi Kontrol	301
Hazırlama ve Çalıştırma	302
Hazırlanması	302
Çalıştırma	303
AÇMA ve KAPAMA (Ölçüm Yapma)	303
micro IR-200 Kontrolleri	303
Sürekli Ölçüm (Tarama) Modu	304
Lazer Etkin/Devre Dışı	304
Arka Işık	304

Menü Düğmesi Kullanımı	304
Yüksek Alarmı	304
Düşük Alarmı	304
Sıcaklık Gösterme Birimleri - °C/°F	304
Salım Gücü	304
Temizlik	305
Saklama	305
Servis ve Tamir	305
Elden Çıkarma	305
Pillerin Elden Çıkarılması	305
AT Uygunluk Beyanı	Arka Kapak İçinde
Ömür Boyu Garanti	Arka Kapak

*Orijinal kılavuzun çevirisidir

Güvenlik Sembolleri

Bu kullanıcı kılavuzunda ve ürün üzerinde güvenlik sembolleri ve uyarı kelimeleri önemli güvenlik bilgilerini bildirmek için kullanılmıştır. Bu kısım bu uyarı kelimelerinin ve sembollerin daha iyi anlaşılması için sunulmuştur.



Bu güvenlik uyarı sembolüdür. Sizi potansiyel kişisel yaralanma tehlikesine karşı uyararak kullanılır. Muhtemel yaralanma veya ölümden sakınmak için bu sembolü izleyen tüm güvenlik mesajlarına uyun.

TEHLİKE

TEHLİKE sakınılmadığı takdirde ölüm veya ciddi yaralanmayla sonuçlanacak tehlikeli bir durumu gösterir.

UYARI

UYARI sakınılmadığı takdirde ölüm veya ciddi yaralanmayla sonuçlanabilecek tehlikeli bir durumu gösterir.

DİKKAT

DİKKAT sakınılmadığı takdirde küçük veya orta derece yaralanmaya yol açabilecek tehlikeli bir durumu gösterir.

BİLDİRİM

BİLDİRİM eşyanın korunmasıyla ilgili bilgileri gösterir.



Bu sembol ekipmanı kullanmadan önce kullanıcı kılavuzunun dikkatlice okunması gerektiği anlamına gelir. Kullanıcı kılavuzu ekipmanın güvenli ve düzgün kullanımına dair önemli bilgiler içerir.



Bu sembol bu cihazın bir Sınıf 2 Lazer içerdiği anlamına gelir.



Bu sembol lazer ışınına uzun ve dikkatli şekilde bakmamanız gerektiğini anlamına gelir.



Bu sembol bir lazer ışınının varlığı ve tehlikesi konusunda uyarır.

Genel Güvenlik Kuralları

⚠ UYARI

Tüm güvenlik uyarılarını ve talimatlarını okuyun. Uyarı ve talimatların tam olarak takip edilmemesi elektrik çarpması, yangın ve ağır yaralanmalara yol açabilir.

BU TALİMATLARI SAKLAYIN!

Gerektiğinde, AT uyumluluk beyanı (890-011-320.10) ayrı bir kitapçık olarak, bu kılavuzun yanında yer alır.

Çalışma Alanı Güvenliği

- **Çalışma alanının temiz ve iyi aydınlatılmış olmasını sağlayın.** Dağınık ve karanlık alanlar kazalara yol açabilir.
- **Ekipmanı alev alabilen sıvıların, gazların ya da tozların olduğu patlayıcı ortamlarda kullanmayın.** Ekipman toz ya da gazları tutuşturabilecek kıvılcımlar üretebilir.
- **Ekipmanı kullanırken çocukları ve izleyenleri uzakta tutun.** Dikkatinizi dağıtan şeyler kontrolü kaybetmenize sebep olabilir.

Elektrik Güvenliği

- **Aletin gövdesini borular, radyatörler, ocaklar ve buzdolapları gibi topraklanmış yüzeylerle temas ettirmekten kaçının.** Eğer vücudunuz topraklanmışsa elektrik çarpması ihtimali artar.
- **Ekipmanı yağmura ya da ıslak koşullara maruz bırakmayın.** Ekipmana giren su, elektrik çarpması ihtimalini artırır.

Kişisel Güvenlik

- **Dikkatli olun, ne yaptığınıza dikkat edin ve ekipmanı kullanırken sağduyunuzu kullanın. Yorgunken ya da ilaçların, alkol ve ya tedavi etkisindeyken ekipmanı kullanmayın.** Ekipmanın kullanımını esasında bir anlık dikkatsizlik önemli kişisel yaralanmalara yol açabilir.

- **Kişisel koruyucu ekipmanlar kullanın.** Daima koruyucu gözlük takın. Toz maskeleri, kaymaz güvenlik ayakkabıları, sert şapkalara ve kulak korumaları gibi koruyucu ekipmanların kullanımı kişisel yaralanmaların azalmasını sağlar.
- **Aşırı zorlamadan kullanın. Her seferinde uygun düzeyde ve dengede kullanın.** Bu, beklenmedik durumlarda elektrikli aleti daha iyi kontrol etmenizi sağlar.

Kullanım ve Bakım

- **Ekipmanı zorlamayın. Yapacağınız işe uygun ekipman kullanın.** Doğru ekipman işinizi, uygun tasarlandığı oranda daha iyi ve güvenli şekilde yapar.
- **Anahtar ekipmanı AÇIP KAPATMIYORSA ekipmanı kullanmayın.** Anahtar ile kontrol edilemeyen aletler tehlikelidir ve tamir edilmelidir.
- **Tüm ayarlamaları, aksesuar değişimini gerçekleştirmeden veya saklamadan önce pilleri cihazdan çıkarın.** Bu güvenlik önlemleri yaralanma riskini azaltır.
- **Kullanmadığınız ekipmanı çocukların erişemeyeceği yerlerde saklayın ve ekipmanı kullanma deneyimi olmayan ya da bu talimatlardan habersiz kişilerin ekipmanı kullanmalarına izin vermeyin.** Ekipman, eğitimsiz kullanıcıların ellerinde tehlikeli olabilir.
- **Ekipmanın bakımını yapın.** Yanlış hizalanmış ya da yanlış bağlanmış hareketli parçaları, arızalı parçaları ve ekipmanın çalışmasını etkileyebilecek diğer durumları kontrol edin. Eğer hasarlıysa, ekipmanı kullanmadan önce tamir ettirin. Birçok kaza bakımsız ekipmandan kaynaklanır.
- **Ekipmanı ve aksesuarlarını çalışma koşullarını ve yapılacak işi göz önünde bulundurarak bu talimatlara uygun şekilde kullanın.** Ekipmanın tasarlandığı uygulama dışında kullanılması tehlikeli durumlara sebep olabilir.
- **Sadece, üretici tarafından ekipmanınız için tavsiye edilen aksesuarları kullanın.** Bir ekipman için uygun olan aksesuarlar başka bir ekipmanda kullanıldığında tehlikeli olabilir.

- **Tutma yerlerini kuru ve temiz tutun; yağ ve gresten arındırın.** Bu, ekipmanı daha iyi kavramanızı sağlar.

Servis

- **Ekipmanınızın onarımını yetkili uzman kişilere sadece orijinal yedek parçaları kullanarak yaptırın.** Bu, aletin güvenliğinin devamlılığını sağlayacaktır.

Özel Güvenlik Bilgileri

⚠ UYARI

Bu bölüm alete özel önemli güvenlik bilgileri içerir.

Yangın, patlama veya diğer ciddi kişisel yaralanma tehlikesini azaltmak için RIDGID® micro IR-200 Temassız Kızılötesi Termometreyi kullanmadan önce bu önlemleri dikkatli şekilde okuyun.

BU TALİMATLARI SAKLAYIN!

Operatörün kullanması için bu kılavuzu aletin yanında bulundurun.

Kızılötesi Termometre Güvenliği

- **Lazer ışınına bakmayın.** Lazer ışınına bakmak gözleriniz için tehlikeli olabilir. Lazer ışınına optik aletlerle (dürbünler veya teleskoplar gibi) bakmayın.
- **Lazer ışını diğer insanların üzerine doğrultmayın.** Lazerin, göz seviyesinin üzerinde veya altında yönetilmesini sağlayın. Lazer ışınları gözleriniz için tehlikeli olabilir.
- **Bu cihazı, kişisel muayene için ya da tıbbi amaçlı kullanmayın.** Bu medikal bir cihaz değildir. Bu durum kişisel yaralanmaya yol açabilir.
- **Elektrikli, hareketli veya sıcak parçaların yakınında çalışırken uygun önlemleri alın.** Yakın temas elektrik çarpmasına, dolaşmaya, yanıklara ve diğer ciddi yaralanmalara neden olabilir. Koruyucu ekipman gerekebilir.

DIKKAT Burada belirtilenler dışında kontrollerin veya ayarların yapılması veya prosedürlerin gerçekleştirilmesi, tehlikeli radyasyona maruz kalınmasıyla sonuçlanabilir.

Bu RIDGID® ürünü ile ilgili sorularınız için:

- Bulduğunuz bölgedeki RIDGID bayisi ile iletişim kurun.
- Yerel RIDGID irtibat noktasının iletişim bilgilerine erişmek için RIDGID.com adresini ziyaret edin.
- Ridge Tool Teknik Servis Departmanı ile rtctechservices@emerson.com adresinden veya ABD ve Kanada'da (800) 519-3456 telefon numarasını aramak suretiyle temas kurun.

Açıklama, Teknik Özellikler ve Standart Ekipman

Açıklama

RIDGID® micro IR-200 Temassız Kızılötesi Termometre, tek tuşa basılıla basit, hızlı ve hassas yüzey sıcaklığı okuması yapmayı sağlar. Basitçe tetiği sıkın ve ultra-keskin çift sınıf II lazerini ölçülecek yüzeyin üzerine tutun. micro IR-200, net ve arka ışıklı okuması kolay LCD ekranda hızlı ölçüm sağlar. Çeşitli diğer kullanım alanlarına ek olarak bu dayanıklı, kompakt alet profesyonel meslek erbablarının ısıtma ve havalandırma sorunlarını teşhis etmelerini, elektrik motorları ve sistemlerin koruyucu gözetim işlemlerini gerçekleştirmelerini, buhar kapanlarında arıza teşhisi uygulamalarını ve sigortaları ve devre kesicileri aşırı ısınmaya karşı temassız bir şekilde kontrol etmelerini sağlar.

micro IR-200 toplanıp bir detektör üzerine odaklanan, yayılan, yansıtılan veya aktarılan enerjiyi algılamak için optikleri kullanır. Ünite elektroniği bilgiyi görüntülenecek bir sıcaklık okumasına dönüştürür. Lazerler yönlendirmeye yardımcı olmak için kullanılır.

Özellikler

Sıcaklık Aralığı.....	-58°F - 2192°F (-50°C - 1200°C)
Noktaya olan Mesafe Oranı.....	30 - 1
Ölçüm Hassasiyeti.....	-58°F ~68°F (50°C ~20°C): ±4.5°F (2,5°C) 68°F ~1472°F (20°C ~800°C) ±%1,0 veya ±1.8°F (1,0°C)
Yinelenebilirlik.....	-58°F ~68°F (50°C ~20°C): ±2.3°F (1,3°C) 68°F ~1472°F (20°C ~800°C) ±%0,5 veya ±0.9°F (0,5°C)
Yanıt Süresi.....	150ms
Spektral Yanıt.....	8~14um
Salım Gücü.....	Ayarlanabilir, 0,10 - 1,00
Aralık Üzeri Göstergesi.....	LCD şunu gösterir "----"
Diyot Lazer.....	Çıkış <1mW, Dalga boyu 630~670nm, Sınıf 2 Lazer Ürünü
Sıcaklık Göstergesi.....	Geçerli Sıcaklık, MAKS Sıcaklık
Ölçü Birimleri.....	Fahrenheit, Santigrat
Çalışma Sıcaklığı.....	32°F - 122°F (0°C - 50°C)
Saklama Sıcaklığı.....	14°F - 140°F (-10°C - 60°C)
Ekran Çözünürlüğü.....	0.1°F (0,1°C)
Bağıl Nem.....	%10~%90 RH Çalışma, <%80 RH Saklama
Piller.....	9V Pii(1), NEDA 1604A veya IEC 6LR61, veya Eşdeğeri
IP Sınıflandırması.....	IP54
Ağırlık.....	0.6 lbs (0,3 kg)

Özellikler

- Hızlı Algılama Fonksiyonu
- Çift Sınıf II Lazer Nişangah Düzeni
- Otomatik Veri Tutma
- MAKS Sıcaklık Göstergeleri
- Hassas Temassız Ölçümler
- Otomatik Seçim Aralığı ve Ekran Çözünürlüğü 0.1°F (0,1°C)
- Arka Işıklı LCD Ekran
- Tetik Kilidi
- Yüksek ve Düşük Alarm Ayarı
- Ayarlanabilir Salım Gücü

**Şekil 1 – micro IR-200 Temassız Kızılötesi Termometre**

BİLDİRİM Bu ekipman sıcaklık ölçümü yapmak için kullanılır. Uygun olmayan kullanımı veya hatalı uygulama hatalı veya doğru olmayan ölçümlere neden olabilir. Koşullara göre uygun ölçüm yönteminin seçilmesi kullanıcının sorumluluğundadır.

Lazer Sınıflandırması



RIDGID micro IR-200, cihazın ön kısmından yayılan gözle görünür bir lazer ışını üretir.

Ürün aşağıdaki standarda göre sınıf 2 lazerlerle uyumludur: IEC 60825-1:2007.

FCC Açıklaması

Bu cihaz test edilmiş ve FCC Kurallarının 15. bölümü çerçevesinde B Sınıfı dijital cihaz limitlerine uygun bulunmuştur. Bu limitler bir yerleşim alanında zararlı parazitlere karşı makul bir koruma sağlamaya tasarlanmıştır.

Bu cihaz, radyo frekans enerjisi üretir, kullanır ve yayabilir, eğer talimatlara uygun olarak kurulup kullanılmaz ise telsiz iletişimlerde zararlı parazitlere neden olabilir.

Bununla birlikte belli bir kurulum sonrasında parazitlenmenin ortaya çıkmayacağına dair bir garanti yoktur.

Eğer bu cihaz, cihazı açık kapatarak tespit edilebilir şekilde radyo ve televizyon alımında zararlı parazitlenmelere neden olursa kullanıcının parazitlenmeleri düzeltebilmek için aşağıdaki önlemlerden bir veya daha fazlasını denemesi önerilir:

- Alıcı anteni tekrar yönlendirin ya da yerleştirin.
- Cihaz ve alıcı arasındaki mesafeyi arttırın.
- Yardım için satıcıya ya da tecrübeli bir radyo/TV teknisyenine danışın.

Elektromanyetik Uyumluluk (EMC)


Elektromanyetik uyumluluk terimi, elektromanyetik yayılma ve elektrostatik boşalmaların bulunduğu ortamlarda ve diğer ekipmanlarda elektromanyetik parazitte neden olmadan ürünün, sorunsuz olarak çalışması anlamına gelir.

BİLDİRİM RIDGID micro IR-200 tüm geçerli EMC standartlarına uyumludur. Ancak diğer cihazlarda parazitte neden olma ihtimali önlenemez.



Şekil 4 – Pil Bölmesinin Çıkarılması

Pillerin Değiştirilmesi/Takılması

micro IR-200 üzerinde piller takılı olarak gelir. Pil göstergesi (Şekil 3) pilin değiştirilmesi gerektiğini , gösteriyorsa. Pil akmalarını önlemek için uzun süreli saklamadan önce pilleri çıkarın.

1. Pil klipslerini sıkın ve pil bölmesini termometreden çıkartın (Şekil 3). Gerekirse pili çıkarın.
2. Pil bölümünde gösterilen doğru kutup yönüne dikkat ederek 9V alkalin pil (6LR61) takın.



Şekil 5 – Pil Tutucu ve Kutup Yönü İşareti

3. Klipsleri sıkın ve sıkı bir şekilde termometreye yerleştirin. Tutacak sadece tek yöne hareket eder. Zorlamayın. Yerine oturduğundan emin olun.

Çalışma Öncesi Kontrol

⚠ UYARI

Her kullanımdan önce kızılötesi termometrenizi inceleyin ve yaranma tehlikesini veya hatalı ölçüm olasılığını azaltmak için tüm sorunlarını giderin.

Lazer ışınına bakmayın. Lazer ışınına bakmak gözleriniz için tehlikeli olabilir.

1. Ekipmanın üzerindeki tüm yağı, gres yağını veya tozu temizleyin. Bu, incelemeyi kolaylaştırır.
2. micro IR-200 parçalarının kırık, aşınmış, eksik, yanlış yerleştirilmiş veya yanlış bağlanmış olup olmadığını ve normal ve güvenli kullanımı engelleyebilecek diğer durumları kontrol edin.

3. Uyarı etiketlerinin varlığını, sağlam iliştiirildiğini ve okunur olduğunu kontrol edin (Şekil 6).
4. İnceleme sırasında herhangi bir sorun tespit edildiği takdirde, kızılötesi termometreyi gerektiği gibi tamir edilene kadar kullanmayın.
5. Kullanım talimatlarına uyarak kızılötesi termometreyi açın, bir ölçüm yapın ve aynı ölçümü başka bir aletle (temassız termometre vb.) gerçekleştirerek doğrulayın. Ölçümler arasındaki eşleşme kabul edilemez orandaysa tam anlamıyla onarılan kadar kızılötesi termometreyi kullanmayın.



Şekil 6 – Uyarı Etiketleri



Hazırlama ve Çalıştırma

⚠ UYARI



Lazer ışınına bakmayın. Lazer ışınına bakmak gözleriniz için tehlikeli olabilir. Lazer ışınına optik aletlerle (dürbünler veya teleskoplar gibi) bakmayın.

Lazer ışını diğer insanların üzerine doğrultmayın. Lazerin, göz seviyesinin üzerinde veya altında yönltilmesini sağlayın. Lazer ışınları gözleriniz için tehlikeli olabilir.

Elektrikli, hareketli veya sıcak parçaların yakınında çalışırken uygun önlemleri alın. Yakın temas elektrik çarpmasına, dolaşmaya, yanıklara ve diğer ciddi yaralanmalara neden olabilir. Korumucu ekipman gerekebilir.

Yaralanma tehlikesini veya hatalı ölçüm olasılığını azaltmak için kızılötesi termometreyi bu prosedürlere göre hazırlayın ve çalıştırın.

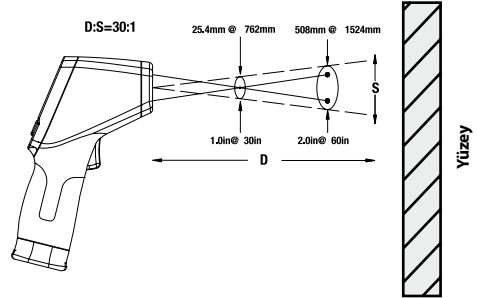
Hazırlanması

1. Genel Güvenlik bölümünde belirtildiği şekilde uygun bir çalışma alanı kontrolü yapın.
2. Ölçülecek olan nesneyi inceleyin ve uygulamaya yönelik doğru ekipmana sahip olduğunuzu onaylayın. Aralık, hassasiyet ve diğer bilgiler için *Özellikler bölümüne* bakın.

Aşağıdaki dahil olmak üzere micro IR-200'ün hassaslığını etkileyecek çeşitli faktörler vardır:

Görüş sahası – micro IR-200 ölçülecek alanın her iki tarafındaki noktalara yönltilmek üzere iki lazer kullanır. Bu noktalar sıcaklığın ölçüleceği alanın ("Nokta") ortalama çapını gösterir. micro IR-200

yüzeyden ileri doğru hareket ettirildiğinde (D) alan ve nokta boyutu (S) artar. Alan zemine olan mesafenin yaklaşık $\frac{1}{30}$ katıdır. (Bkz. Şekil 7.)



Şekil 7 – Görüş Alanı

Nokta her zaman yüzeyden küçük olmalıdır. Yüzey küçüldükçe micro IR-200 yüzeye daha fazla yaklaştırılmalıdır. En iyi hassasiyet için, yüzey noktadan iki kat büyük olmalıdır.

Salım gücü– Salım gücü malzemelerin enerji yayma özelliklerini tarif etmek için kullanılan bir terimdir ve 0 - 1 arasında değişen bir değere sahiptir. Micro IR-200 sıcaklıkları hesaplamak için salım gücü değerinin 0,10 - 1,00 arasında ayarlanmasına olanak tanır. Yüzeyin salım özelliği bilinmiyorsa, boyalı yüzeyler gibi çoğu uygulama için 0,95 salım gücü uygundur. Genel malzemeler için salım gücü değerleri *Şekil 8* içinde mevcuttur.

Malzeme	Salım Gücü	Malzeme	Salım Gücü
Alüminyum, cilalı	0,05	Boya	0,95
Asfalt	0,88	Kağıt, beyaz	0,90
Duvar	0,90	Sıva, pürüzlü	0,89
Beton, pürüzlü	0,91	Kauçuk	0,93
Bakır, cilalı	0,04	Çelik, galvanizli	0,28
Cam	0,95	Çelik, oksitlenmiş	0,88
Kireçtaşı	0,92	Su	0,96
Mermer, cilalı	0,90		

Şekil 8 – Genel Malzemelerin Salım Gücü Değerleri

Sıcaklık – micro IR-200 ortam sıcaklığı sapmalarını telafi etmekle birlikte, ortamdaki ve ölçülen sıcaklıklardaki büyük orandaki değişiklikler hassaslığı düşürebilir. Ortam sıcaklığında belirgin değişiklikler yaşandığında (17°C veya 30°F'tan fazla) micro IR-200'ün en iyi hassaslığı ayarlaması için on beş dakika bekleyin.

Engeller– micro IR-200 ile ölçülecek yüzey arasındaki buhar, toz, duman ve cam veya plastik gibi diğer benzeri engeller hassaslığı düşürebilir. Bunlar ünitenin optiğini engeller veya yanlış okumalar verirler (yüzeyin yerine camın sıcaklığını ölçer). Engeller varken kullanmayın.

3. Tüm ekipmanı düzgün şekilde kontrol ettiğinizden emin olun.

Çalıştırma

AÇMA ve KAPAMA (Ölçüm Yapma)

1. micro IR-200'ü tutamağından tutun ve ölçülecek yüzeye doğru doğrultun. Elektrikli, hareketli veya sıcak parçalardan uzak durun. Cihazı AÇMADAN önce ünitenin seyredenlerden uzakta güvenli bir yöne yöneltildiğinden emin olun.
2. micro IR-200'ü açmak için tetiği sıkın. Tetik sıkıldığında TARAMA simgesi AÇIK hale gelir ve micro IR-200 geçerli sıcaklık değerini sürekli olarak güncellemeye başlar ve ünite AÇILDIKTAN bu yana gerçekleşen maksimum sıcaklık değerini gösterir.

micro IR-200 soğuk ve sıcak alanları bulmak için yüzey üzerinde ya-vaşça gezdirilebilir. *Yüksek ve düşük alarm ayarları hakkında bilgi için Yüksek Alarm ve Düşük Alarm bölümlerine bakın.*

3. Tetik bırakıldığında, BEKLEMEDE simgesi AÇIK hale gelir. micro IR-200 Sürekli Ölçüm modunda değilse yedi saniye sonra otomatik olarak KAPANIR.

micro IR-200 Kontrolleri



Şekil 9 – micro IR-200 Ekran/Düğmeleri

Sürekli Ölçüm (Tarama) Modu

micro IR-200 tetiği basılı tutmadan ölçüm yapmayı sağlamak için KİLİTLENEBİLİR. Cihazı AÇMADAN önce ünitenin seyredenlerden uzakta güvenli bir yöne yönlendiğinden emin olun. Tetiği sıkıp basılı tutarak micro IR-200'ü AÇIN. Tetik basılı halde iken menü düğmesine basıp bırakın. TARAMA ve Kilitleme simgeleri AÇIK hale gelir. Tetiği bırakın, micro IR-200 tetik tekrar sıkılıp bırakılana kadar ölçülen sıcaklığı sürekli olarak güncelleyecektir.

Lazer Etkin/Devre Dışı

Gerekirse, yönlendirme için kullanılan lazerler pil ömrünü korumak için kapatılabilir. Bu yapılırsa, doğru okumalardan emin olmak için micro IR-200 yönlendirirken ekstra dikkat gösterilmelidir. Etkinleştirme veya devre dışı bırakmak için, tetiği sıkarken, lazer etkin düğmesine basın ve bırakın. Lazer etkinleştirildiğinde Lazer Etkin simgesi AÇIK hale gelir.

Arka Işık

Işıklandırması zayıf olan bir alarlarda kullanabilmek için micro IR-200 ekran arka ışığı donatılmıştır. Arka ışığı AÇMAK ve KAPATMAK için ünite AÇIK haldeyken arka ışık düğmesine basın.

Menü Düğmesi Kullanımı

Tetik sıklıkdktan sonra menü düğmesine basıp bırakmak aşağıdaki ayarlar arasında gösterilen sıra ile dolaşmanızı sağlar: Yüksek Alarmı AÇIK/KAPALI, Yüksek Alarmı Sıcaklık Ayarı, Düşük Alarmı AÇIK/KAPALI, Düşük Alarmı Sıcaklık Ayarı, Sıcaklık Gösterme Birimleri, Salım Gücü.

Yüksek Alarmı

Yüksek Alarmı geçerli sıcaklık önceden ayarlanan sınırı aştığında sesli bir uyarı verir. Yüksek Alarmı AÇMAK için, tetiği sıkıp bırakın ve ardından Yüksek Alarmı simgesi yanıp sönmeye başlayana kadar menü düğmesine basıp bırakın. Geçerli sıcaklık değeri satırında görüldüğü için Yüksek

Alarmını AÇMAK/KAPATMAK için yukarı/aşağı düğmelerini kullanın. Menü düğmesine tekrar basıp bırakın. Yüksek Alarmı simgesi yanıp sönmeye devam eder ve Yüksek Alarmı sıcaklığı görünür. Yüksek Alarmı sıcaklığını istediğiniz gibi değiştirmek için yukarı/aşağı düğmelerini kullanın. Ayarlar modundan çıkmak ve seçiminizi kaydetmek için tetiği sıkın.

Düşük Alarmı

Düşük Alarmı geçerli sıcaklık önceden ayarlanan sınırın altına düştüğünde sesli bir uyarı verir. Düşük Alarmı AÇMAK için, tetiği sıkıp bırakın ve ardından Düşük Alarmı simgesi yanıp sönmeye başlayana kadar menü düğmesine basıp bırakın. Geçerli sıcaklık değeri satırında görüldüğü için Düşük Alarmını AÇMAK/KAPATMAK için yukarı/aşağı düğmelerini kullanın. Menü düğmesine tekrar basıp bırakın. Düşük Alarmı simgesi yanıp sönmeye devam eder ve Düşük Alarmı sıcaklığı görünür. Düşük Alarmı sıcaklığını istediğiniz gibi değiştirmek için yukarı/aşağı düğmelerini kullanın. Ayarlar modundan çıkmak ve seçiminizi kaydetmek için tetiği sıkın.

Sıcaklık Gösterme Birimleri - °C/°F

IR-200 sıcaklığı Santigrat (C) ve Fahrenheit (F) derece olarak gösterilir. Ekran birimini değiştirmek için tetiği sıkıp bırakın ve ardından ekran üzerindeki sıcaklık birimi yanıp sönmeye başlayana kadar menü düğmesine basın ve bırakın. İstenildiği gibi C ve F arasında geçiş yapmak için yukarı ve aşağı düğmelerini kullanın. Ayarlar modundan çıkmak ve seçiminizi kaydetmek için tetiği sıkın.

Salım Gücü

Salım gücü değeri 0,10 - 1,00 arasında ayarlanabilir. Uygulamanız için yaklaşık değeri belirlemek için Hazırlanma bölümüne bakın. Bu değeri ayarlamak için tetiği sıkıştırıp bırakın ve ardından ekran üzerinde salım gücü değeri yanıp sönmeye başlayana kadar menü düğmesine basın ve bırakın. Salım gücü değerini arttırmak veya azaltmak için yukarı/aşağı düğmelerini kullanın. Ayarlar modundan çıkmak ve seçiminizi kaydetmek için tetiği sıkın.

Temizlik

RIDGID micro IR-200 Temassız Kızılötesi Termometreyi suya batırmayın. Tozları nemli ve yumuşak bir bezle silerek temizleyin. Aşındırıcı temizlik maddelerini veya solüsyonlarını kullanmayın. Teleskopa veya kameraya özen gösterdiğiniz kadar bu alete de özen gösterin.

Saklama

RIDGID micro IR-200 Kızılötesi Termometre, 14°F (-10°C) ile 140°F (60°C) derece arasındaki kuru ve güvenli bir alanda saklanmalıdır.

micro IR-200'ü, çocukların ve aleti kullanma deneyimi olmayan kişilerin erişemeyeceği kilitli bir yerde saklayın.

Pil kalmalarını önlemek için uzun süreli depolamadan veya nakletmeden önce pili çıkarın.

Servis ve Tamir

⚠ UYARI

Hatalı bakım veya onarım RIDGID micro IR-200 Temassız Kızılötesi Termometrenin güvenli şekilde çalışmasını önleyebilir.

Mikro IR-200 ile ilgili servis ve onarım işlemleri RIDGID Yetkili Bağımsız Servis Merkezi tarafından gerçekleştirilmelidir.

Size en yakın RIDGID Yetkili Bağımsız Servis Merkezi veya servis veya onarım ile ilgili bilgi almak için:

- Bulduğunuz bölgedeki RIDGID bayisi ile iletişim kurun.
- Ridge Tool temas noktanızı öğrenmek için RIDGID.com adresini ziyaret edin.
- Ridge Tool Teknik Servis Departmanı ile rtctechservices@emerson.com adresinden veya ABD ve Kanada'da (800) 519-3456 telefon numarasını aramak suretiyle temas kurun.

Elden Çıkarma

RIDGID micro IR-200 Temassız Kızılötesi Termometrenin parçaları değerli malzemeler içerir ve geri dönüşüme tabi tutulabilir. Bulduğunuz bölgede geri dönüşüm konusunda uzmanlaşmış şirketler bulunabilir. Parçaları geçerli düzenlemelere göre elden çıkarın. Daha fazla bilgi için yerel yetkili atık yönetimi birimi ile iletişim kurun.



AB Ülkeleri için: Elektrikli cihazları ev atıkları ile birlikte atmayın!

Atık Elektrikli ve Elektronik Cihazlar için Avrupa Yönergesi 2012/19/EU ve yerel mevzuata uygulanmasına göre, kullanılmayacak durumdaki elektrikli cihazlar ayrı olarak toplanmalı ve çevreye zarar vermeyecek şekilde elden çıkarılmalıdır.

Pillerin Elden Çıkarılması

AB ülkeleri için: Arızalı veya kullanılmış piller 2012/19/EU yönergesine göre geri dönüştürülmelidir.

micro IR-200

micro IR-200 түйіспесіз инфрақызыл термометрі



⚠ ЕСКЕРТУ

Осы құралды пайдаланбас бұрын Оператордың нұсқаулығын мұқият оқып шығыңыз. Осы нұсқаулықты дұрыс түсінбеу және қадағаламау электр тогының соғуына, өртке және/немесе ауыр жарақатқа әкелуі мүмкін.

micro IR-200 түйіспесіз инфрақызыл термометрі

Төмендегі сериялық нөмірді жазып алыңыз және фирмалық тақтайшадағы өнімнің сериялық нөмірін сақтап қойыңыз.

Сериялық
нөмірі

--	--

Мазмұны

Құрылғының сериялық нөміріне арналған жазу үлгісі	307	Мәзір түймесін пайдалану	318
Қауіпсіздік таңбалары	309	Жоғарғы дабыл	318
Жалпы қауіпсіздік ережелері.....	310	Төменгі дабыл	318
Жұмыс аймағының қауіпсіздігі	310	Температура дисплейінің бірліктері - °C/°F	318
Электр қауіпсіздігі	310	Сәулелену.....	318
Жеке қауіпсіздік	310	Тазалау.....	319
Жабдықты пайдалану және күтім жасау.....	310	Сақтау	319
Қызмет көрсету.....	311	Қызмет көрсету және жөндеу	319
Арнайы қауіпсіздік ақпараты.....	311	Тастау	319
Инфрақызыл термометр қауіпсіздігі.....	311	Батареяны жою.....	319
Сипаттама, спецификациялар және стандартты жабдық	311	ЕО сәйкестік мәлімдемесі	Ішкі артқы мұқабасы
Сипаттама.....	311	Пайдалану мерзіміне берілетін кепілдік	Артқы беті
Спецификациялар.....	312		
Бөліктер	313		
СКД дисплейінің белгішелері	313		
Стандартты жабдық.....	313		
Лазер жіктеуі	314		
 FCC мәлімдемесі	314		
Электромагниттік үйлесімділік (ЭМУ)	314		
Батареяларды өзгерту/орнату	314		
Жұмыс алдында тексеру	315		
Орнату және іске қосу	315		
Орнату	316		
Пайдалану	317		
ҚОСУ және ӨШІРУ (Өлшемдер жасау)	317		
micro IR-200 басқару элементтері	317		
Үздіксіз өлшеу (сканерлеу) режимі.....	317		
Лазер қосылған/ажыратылған	318		
Артқы жарық	318		

*Түпнұсқа нұсқаулардан аударма

Қауіпсіздік таңбалары

Бұл пайдалану нұсқаулығында және өнімде қауіпсіздік белгілері және сигнал сөздері маңызды ақпарат беру үшін пайдаланылады. Бұл бөлім осы сигналдық сөздер мен белгілерді түсіндіру берілген.



Бұл қауіпсіздік ескертуі таңбасы болып табылады. Бұл сізге ықтимал дене жарақаты қауіптері жөнінде ескерту жасау үшін пайдаланылады. Ықтимал жарақат не өлім жағдайларына жол бермеу үшін осы символ ұсынатын барлық қауіпсіздік шараларын орындаңыз.



ҚАУІП ҚАУІПТІ алдын алмаған жағдайда өлімге не ауыр жарақатқа әкелетін қауіпті жағдайды көрсетеді.



ЕСКЕРТУ ЕСКЕРТУ сақтанбаған жағдайда, өлім немесе ауыр зақымға әкелетін қауіпті жағдайды білдіреді.



САҚТАНДЫРУ САҚТАНДЫРУ алдын алмаған жағдайда шағын не орташа жарақатқа әкелетін қауіпті жағдайды көрсетеді.



ЕСКЕРТПЕ ЕСКЕРТПЕ меншікті қорғауға қатысты ақпаратты көрсетеді.



Бұл таңба жабдықты пайдаланбас бұрын пайдалану нұсқаулығын мұқият оқып шығуды білдіреді. Пайдалану нұсқаулығында жабдықты қауіпсіз және тиісінше іске қосу туралы маңызды ақпарат қамтылады.



Бұл таңба осы құрылғыда 2 санатты лазер бар екенін білдіреді.



Бұл таңба лазер сәулесіне қадалып қарамау керектігін білдіреді.



Бұл таңба лазер сәулесі бар екенін және оның қауіпін ескертеді.

Жалпы қауіпсіздік ережелері

⚠ ЕСКЕРТУ

Барлық қауіпсіздік ескертулері мен нұсқауларын оқып шығыңыз. Ескертулер мен нұсқауларды қадағаламау электр тогының соғуына, өртке және/немесе ауыр жарақатқа әкелуі мүмкін.

ОСЫ НҰСҚАУЛАРДЫ САҚТАҢЫЗ!

ЕО сәйкестік декларациясы (890-011-320.10) қажет болған жағдайда осы нұсқаулықпен бірге беріледі

Жұмыс аймағының қауіпсіздігі

- Жұмыс аймағын таза әрі жарық ұстаңыз. Ретсіз немесе қараңғы аймақтар оқыс оқиғаларды тудырады.
- Жабдықты жарылыс қауіпті орталарда, мысалы, жарылғыш сұйықтықтар, газдар немесе шаң бар жерлерге іске қоспаңыз. Жабдықтан тозаңды немесе түпінді тұтандыруы мүмкін ұшқындар шығуы мүмкін.
- Жабдықты іске қосқанда балаларды және бөгде адамдарды алшақ ұстаңыз. Назарыңызды бөлу басқаруды жоғалтуыңызға әкелуі мүмкін.

Электр қауіпсіздігі

- Жерге қосылған не тұйықталған беттерді, мысалы, құбырларды, жылытқыштарды, тізбектерді және тоңазытқыштарды денеңізге тигізбеңіз. Денеңіз жерге тұйықалып тұрса, электр тогының соғуы қауіп атады.
- Жабдықты жаңбыр немесе ылғал шарттар әсерінде қалдырмаңыз. Жабдықта енетін су электр тогының соғу қаупін арттырады.

Жеке қауіпсіздік

- Сақ болыңыз, не істеп жатқаныңызды байқаңыз және жабдықты ақылмен пайдаланыңыз. Шаршаған кезде немесе есірткі, алкоголь немесе дәрі әсерінде болғанда жабдықты пайдаланбаңыз. Жабдықты пайдаланған кезде зейініңіз бірт аууы ауыр дене жарақатына әкелуі мүмкін.

- Жеке қорғаныш құралын пайдаланыңыз. Үнемі көзді қорғау құралын киіп жүріңіз. Белгілі бір жағдайларда пайдаланылатын қорғаныш құрал, мысалы, шаңнан қорғайтын маска, тайғанатпайтын қорғаныш аяқ киімдері, каска немесе есту органдарын қорғау құралы жеке дене жарақаттары қаупін азайтады.
- Созылып қол жеткізу әрекетін орындамаңыз. Дұрыс адымдаңыз және үнемі теңгерім сақтаңыз. Бұл күтпеген жағдайларда электр жабдығын жақсырақ қадағалауға мүмкіндік береді.

Жабдықты пайдалану және күтім жасау

- Жабдықта күш түсірмеңіз. Қолдану үшін дұрыс жабдықты пайдаланыңыз. Тіісті жабдық жұмысты дұрыс және өзіне арналған жылдамдықта қауіпсіз орындайды.
- Егер қосқыш оны ҚОСПАСА және ӨШІРМЕСЕ, жабдықты пайдаланбаңыз. Қосқышпен басқарылмайтын кез келген құрал қауіпті болады әрі жөндеуді қажет етеді.
- Реттеу жасау, қосалқы құралдарын өзгерту немесе сақтау алдында батареяларды жабдықтан ажыратыңыз. Осындай алдын алу қауіпсіздік шаралары жарақат алу қаупін азайтады.
- Пайдаланылмайтын жабдықты балалардың қолы жетпейтін жерде сақтаңыз және жабдықпен немесе осы нұсқаулармен таныс емес адамдарға жабдықты пайдалануға рұқсат етпеңіз. Жабдық оқудан өтпеген пайдаланушылардың қолында қауіпті болуы мүмкін.
- Жабдықта қызмет көрсетіңіз. Жылжитын бөліктердің тураланбауын немесе жабысуын, жетіспейтін бөліктерді, бөліктердің бұзылғанын және жабдық жұмысына әсер етуі мүмкін басқа жағдайды тексеріңіз. Зақымданған жағдайда жабдықтарды пайдаланбас бұрын жөндеңіз. Көптеген жазатайым оқиғалар дұрыс техникалық қызмет көрсетілмеген жабдықта байланысты орын алады.
- Жұмыс шарттарын және орындалатын жұмысты ескере отыра, жабдықты және қосалқы құралдарды осы нұсқауларға сәйкес пайдаланыңыз. Жабдықты өзге арналмаған мақсаттарда пайдалану қауіпті жағдайдың орын алуына әкелуі мүмкін.

- Тек жабдық өндірушісі ұсынған қосалқы құралдарды пайдаланыңыз. Бір жабдыққа жарамды болуы мүмкін қосалқы құралдар басқа жабдықпен пайдаланылған кезде қауіпті болуы мүмкін.
- Тұтқаларды құрғақ және таза күйде, майдан және жақпа майдан таза ұстаңыз. Жабдық басқаруын жақсартады.

Қызмет көрсету

- Тек бірдей қосалқы бөлшектерді пайдаланып, жабдықты білікті жөндеу маманына тексертіңіз. Бұл құрал қауіпсіздігінің сақталуымен қамтамасыз етеді.

Арнайы қауіпсіздік ақпараты

ЕСКЕРТУ

Бұл бөлімде осы құралға тән маңызды қауіпсіздік ақпараты қамтылған.

RIDGID® micro IR-200 түйіспесіз инфрақызыл термометрін пайдаланбас бұрын өрт, жарылу немесе басқа ауыр дене жарақатын алу қаупін азайту үшін осы сақтық шараларды мұқият оқыңыз.

ОСЫ НҰСҚАУЛАРДЫ САҚТАҢЫЗ!

Осы нұсқаулықты оператордың пайдалануы үшін құралмен бірге сақтаңыз.

Инфрақызыл термометр қауіпсіздігі

- **Лазер сәулесіне қарамаңыз.** Лазер сәулесіне қарау көзге қауіпті болуы мүмкін. Лазер сәулесіне оптикалық құрылғылармен (мысалы, дүрбі немесе телескоп) қарамаңыз.
- **Лазер сәулесін басқа адамдарға қарай бағытламаңыз.** Лазердің көз деңгейінің үстінде немесе астында бағытталғанына көз жеткізіңіз. Лазер сәулелері көзге қауіпті болуы мүмкін.
- **Бұл құрылғыны жеке тексеру немесе медициналық мақсатта пайдалануға болмайды.** Бұл медициналық құрылғы емес. Бұл дене жарақатына әкелуі мүмкін.

- **Электр, жылжитын немесе ыстық бөліктер жанында жұмыс істеген кезде тиісті сақтық шараларын қолға алыңыз.** Жанасу электр тогының соғуына, оралып қалуға, күйікке және басқа ауыр дене жарақатына әкелуі мүмкін. Қорғауыш жабдығы қажет болуы мүмкін.

▲ САҚТАНДЫРУ Осында көрсетілгеннен басқа басқару құралдарын пайдалану, реттеулер немесе рәсімдерді орындау қауіпті сәулелену әсеріне әкелуі мүмкін.

Егер осы RIDGID® өніміне қатысты қандай да сұрағыңыз болса:

- Жергілікті RIDGID дистрибуторына хабарласыңыз.
- Жергілікті RIDGID байланыс орнын табу үшін RIDGID.com торабына кіріңіз.
- Ridge Tool Техникалық қызмет бөліміне rttechservices@emerson.com торабында хабарласыңыз немесе АҚШ және Канада аумағында (800) 519-3456 нөміріне қоңырау шалыңыз.

Сипаттама, спецификациялар және стандартты жабдық

Сипаттама

RIDGID® micro IR-200 түйіспесіз инфрақызыл термометрі түймені басу арқылы қарапайым, жылдам және нақты бет температурасының көрсеткіштерін береді. Триггерді қысыңыз және өте анық II санатты лазерлерді өшпенетін бетке бағыттаңыз. micro IR-200 құрылғысы анық, оңай оқылатын артқы жарығы бар СКД дисплейінде дереу температура өлшемін ұсынады. Бірқатар басқа пайдалануға қоса, осы берік, шағын құрал кәсіпқой маманға жылыту және желдету ақаулықтарын анықтауға, электр қозғалтқыштары мен жүйелерінің алдын алу бақылауын жүргізуге, бу аулағыштар ақаулықтарын жоюға және түйіспесіз қызып кету бойынша сақтандырғыштарды немесе тізбек ажыратқыштарын жылдам тексеруге мүмкіндік береді.

micro IR-200 құрылғысы анықтағышта жиналған және кезелген бөлінетін, шағылыстырылатын және таратылатын қуатты анықтау үшін оптиканы пайдаланады. Құрылғының электроникасы ақпаратты көрсетілетін температура көрсеткішіне аударады. Лазерлер бағыттауда көмектесу үшін пайдаланылады.

Спецификациялар

Температура ауқымы.....	-58°F және 2192°F аралығында (-50°C және 1200°C аралығында)
Дақ қашықтығы арақатынасы.....	30:1
Өлшеу дәлдігі.....	-58°F~68°F (50°C ~20°C): ±4.5°F (2,5°C) 68°F~1472°F (20°C ~800°C) ±1,0% немесе ± 1.8°F (1,0°C)
Қайталану.....	-58°F~68°F (50°C ~20°C): ±2.3°F (1,3°C) 68°F~1472°F (20°C ~800°C) ±0,5% немесе ± 0.9°F (0,5°C)
Әрекет ету уақыты.....	150 м/с
Спектральды сезімталдық.....	8~14 мкм
Сәулелену.....	Реттелетін, 0,10 - 1,00
Ауытқу индикациясы.....	Дисплейде “----” көрсетіледі
Диодты лазер.....	Шығыс <1 мВт, Толқын ұзындығы: 630~670 нм, 2 санатты лазер өнімі
Температура дисплейі.....	Ағымдағы температура, Ең жоғарғы температура
Өлшеу бірліктері.....	Фаренгейт, Цельсий
Жұмыс температурасы.....	32°F және 122°F аралығында (0°C және 50°C аралығында)
Сақтау температурасы.....	14°F және 140°F аралығында (-10°C және 60°C аралығында)
Дисплей ажыратымдылығы.....	0.1°F (0,1°C)
Салыстырмалы ылғалдылығы.....	Жұмыс кезінде 10%~90%, сақтау кезінде <80%
Батареялар.....	9 В батарея (1), NEDA 1604A немесе IEC 6LR61 немесе деңгейі тең
IP қорғау санаты.....	IP54
Салмағы.....	0.6 фунт (0,3 кг)

Мүмкіндіктер

- Жылдам анықтау функциясы
- II санатты лазер көздеуі
- Автоматты деректерді ұстау
- Ең жоғарғы температура дисплейлері
- Дәл түйіспесіз өлшемдер
- Автоматты таңдау ауқымы және дисплей ажыратымдылығы 0.1°F (0,1°C)
- Артқы жарығы бар СҚД дисплейі
- Триггер құлпы
- Орнатылған жоғарғы және төменгі дабылдар
- Реттелетін сәулелену


1-сурет – micro IR-200 түйіспесіз инфрақызыл термометрі

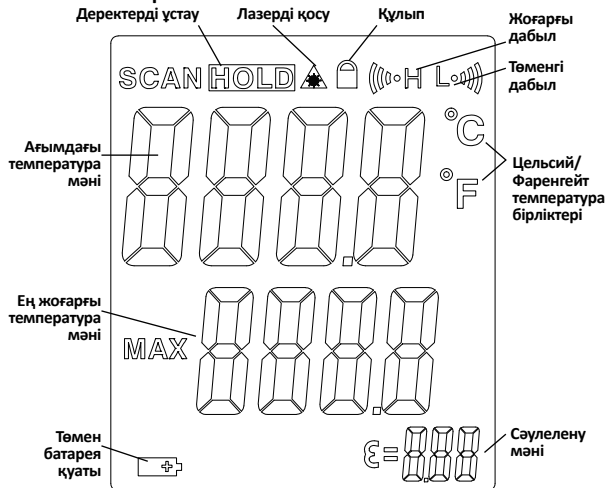
Бөлікте



2-сурет – micro IR-200 бөліктері



СКД дисплейінің белгішелері



3-сурет – micro IR-200 дисплейінің белгішелері

Стандартты жабдық

- micro IR-200
- Тасу дорбасы
- 1 батарея x 9 В
- Пайдалану нұсқаулығы

ЕСКЕРТТЕ Бұл жабдық температура өлшемдерін жасау үшін пайдаланылады. Дұрыс пайдаланбау немесе орынсыз қолдану қате немесе нақты емес өлшемдерге әкелуі мүмкін. Шарттар бойынша тиісті өлшеу әдістерін таңдау пайдаланушы жауапкершілігіне жатады.

Лазер жіктеуі



RIDGID micro IR-200 құрылғы алдынан бөлінетін көрінетін лазер сәулесін жасайды.

Құрылғы мына 2 санатты лазер стандартына жауап береді: IEC 60825-1:2007

FCC мәлімдемесі

Бұл жабдық FCC ережелерінің 15-бөліміне сәйкес В класты сандық құрылғылар бойынша шектеулерге сай болуы сыналды және расталды. Бұл шектеулер стационарлы орнатуда зиянды кедергілерге қарсы тиісті қорғанумен қамтамасыз етеді.

Бұл жабдық радиожілік қуатын жасайды, пайдаланады және шығара алады және осы нұсқауларға сай емес орнатылған және пайдаланылған жағдайда радиобайланыстарға зиянды интерференция келтіруі мүмкін.

Дегенмен, белгілі бір орнатуда кедергі орын алмайтынына кепілдік берілмейді.

Егер осы жабдық радио немесе теледидар сигналын қабылдаудағы жабдықты қосып және өшіріп анықталатын зиянды кедергі келтіретін болса, пайдаланушы кедергіні мына шаралардың біреуі немесе бірнешеуі арқылы түзету әрекетін орындауы тиіс:

- Қабылдағыш антеннаның бағдарын өзгертіңіз не орнын ауыстырыңыз.
- Жабдық және қабылдағыш арасында бөлінуді арттырыңыз.
- Дилерден немесе тәжірибелі радио/теледидар маманынан көмек сұрап көріңіз.

Электромагниттік үйлесімділік (ЭМУ)


Электромагниттік үйлесімділік өнімнің электромагниттік радиация мен электростатикалық разрядтар бар ортада бірқалыпты жұмыс істеу әрі басқа жабдықтарға электр магниттік интерференция тудырмау қабілетін білдіреді.

ЕСКЕРТТЕ RIDGID micro IR-200 құрылғысы барлық қолданылатын EMC стандарттарына жауап береді. Алайда, басқа құрылғыларға интерференция тудырудың алдын алу мүмкін емес.



4-сурет – Батарея бөлімін алып тастау

Батареяларды өзгерту/орнату

micro IR-200 құрылғысы орнатылған батареясыз жеткізіледі. Егер батарея индикаторы (3-сурет) көрсетілсе , батареяны ауыстыру қажет. Батареяның ағып кетпеуі үшін ұзақ уақыт бойы сақтамас бұрын батареяны алып тастаңыз.

1. Батарея қысқыштарын қысыңыз және термометрден батарея бөлімін алып тастаңыз (4-сурет). Егер қажет болса, батареяны алып тастаңыз.
2. Батарея бөлімінде көрсетілген тиісті полярлықты сақтап, 9 В сілтілі батареяны (6LR61) орнатыңыз.



5-сурет – Батарея ұстағыш және полярлық белгісі

3. Қысқыштарды қысыңыз және термометрге барынша енгізіңіз. Ұстағыш тек бір жолмен енеді. Күш түсірмеңіз. Барынша тіркелгенін растаңыз.

Жұмыс алдында тексеру

⚠ ЕСКЕРТУ

Әр пайдалану алдында жарақат немесе қате өлшемдер ықтималдығын азайту үшін инфрақызыл термометрді тексеріңіз және ақаулықтарын түзетіңіз.

Лазер сәулесіне қарамаңыз. Лазер сәулесіне қарау көзге қауіпті болуы мүмкін.

1. Жабдықтан майды, жақпа майды немесе кірді тазартыңыз. Бұл тексеруге көмектеседі.
2. micro IR-200 құрылғысында бұзылған, жыртылған, жетіспейтін, тураланбаған немесе жабысқан бөліктерін немесе қауіпсіз және қалыпты жұмысына кедергі келтіруі мүмкін басқа жағдайды тексеріңіз.

3. Ескерту белгілерінің бар-жоғын, барынша тіркелгенін және оқылатынын тексеріңіз (6-сурет).
4. Егер тексеру барысында ақаулықтар табылса, тиісті қызмет көрсетуден өткенше инфрақызыл термометрді пайдаланбаңыз.
5. Пайдалану нұсқауларын сақтап, инфрақызыл термометрді ҚОСЫҢЫЗ, өлшем жасаңыз және өлшемді басқа құралмен (түйіспелі термометр, т.б.) растаңыз. Егер өлшемдер арасындағы арақатынас орынсыз болса, тиісті қызмет көрсетуден өткенше инфрақызыл термометрді пайдаланбаңыз.



6-сурет – Ескерту белгілері



Орнату және іске қосу

⚠ ЕСКЕРТУ



Лазер сәулесіне қарамаңыз. Лазер сәулесіне қарау көзге қауіпті болуы мүмкін. Лазер сәулесіне оптикалық құрылғылармен (мысалы, дүрбі немесе телескоп) қарамаңыз.

Лазер сәулесін басқа адамдарға қарай бағытпамаңыз. Лазердің көз деңгейінің үстінде немесе астында бағытталғанына көз жеткізіңіз. Лазер сәулелері көзге қауіпті болуы мүмкін.

Электр, жылжитын немесе ыстық бөліктер жанында жұмыс істеген кезде тиісті сақтық шараларын қолға алыңыз. Жанасу электр тогының соғуына, оралып қалуға, күйкке және басқа ауыр дене жарақатына әкелуі мүмкін. Қорғаушы жабдығы қажет болуы мүмкін.

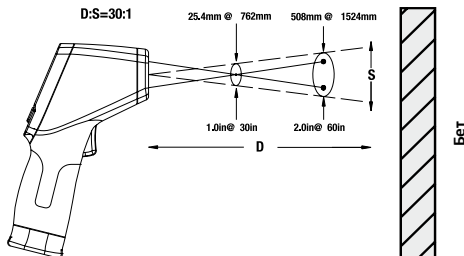
Жарақат немесе қате өлшемдер ықтималдығын азайту үшін инфрақызыл термометрді осы рәсімдерге сәйкес орнатыңыз және пайдаланыңыз.

Орнату

1. Жалпы қауіпсіздік бөлімінде көрсетілгендей тиісті жұмыс аумағын анықтаңыз.
2. Өлшенетін нысанды тексеріңіз және қолдану үшін тиісті жабдықтың бар-жоғын растаңыз. Ауқым, дәлдік және басқа ақпарат бойынша Спецификациялар бөлімін қараңыз.

micro IR-200 құрылғысының дәлдігіне әсер етуі мүмкін әр түрлі факторлар бар, соның ішінде:

Көру өрісі – micro IR-200 құрылғысы өлшенетін аумақтың бір жағына нүктелер салу үшін екі лазерді пайдаланады. Осы нүктелер температура өлшенетін аумақтың (“Дақ”) шамамен диаметрін көрсетеді. micro IR-200 құрылғысы беттен әрі (D) жылжып кетсе, осы аумақ және дақ өлшемі (S) үлкейеді. Аумақ бетке дейінгі шамамен ¼ қашықтығы (7-сурет).



7-сурет – Көру өрісі

Дақ үнемі беттен кішірек болуы қажет. Бет неғұрлым кіші болса, micro IR-200 құрылғысы бетке соғұрлым жақын болуы қажет. Дәлдікті жақсарту үшін бет дақтан екі есе үлкен болуы қажет.

Сәулелену – Сәулелену материалдардың қуат бөлу сипаттарын сипаттау үшін пайдаланылатын термин және 0 мен 1 аралығындағы мәнді қамтиды. micro IR-200 құрылғысы температураларды өлшеу үшін 0,10 және 1,00 аралығындағы сәулелену мәнін реттеуге мүмкіндік береді. Егер беттің сәулелену сипаты белгісіз болса, 0,95 мәнді сәулелену боялған беттерді қоса көптеген қолдану үшін жарамды болады. Жалпы материалдардың сәулелену мәндері 8-суретте көрсетілген.

Материал	Сәулелену	Материал	Сәулелену
Алюминий, жылтыратылған	0,05	Бояу	0,95
Асфальт	0,88	Қағаз, ақ	0,90
Кірпіш	0,90	Сылақ, кедір-бұдыр	0,89
Бетон, кедір-бұдыр	0,91	Резеңке	0,93
Мыс, жылтыратылған	0,04	Болат, мырышталған	0,28
Шыны	0,95	Болат, тотығы	0,88
Эктас	0,92	Су	0,96
Мәрмәр, жылтыратылған	0,90		

8-сурет – Жалпы материалдардың сәулелену мәндері

Температура – micro IR-200 құрылғысы қоршаған орта температурасының өзгеруін түзеткенімен, қоршаған орта және өлшенетін температураларын едәуір өзгерту дәлдікті төмендетуі мүмкін. Қоршаған орта температурасының едәуір өзгерістері (17°C немесе 30°F аса) орын алған кезде micro IR-200 құрылғысының ең жоғарғы дәлдікке реттеуі үшін он бес минут күтіңіз.

Бөгеуілдер – micro IR-200 құрылғысы және өлшенетін бет арасындағы бу, шаң, түтін және шыны немесе пластмасса сияқты басқа бөгеуілдер дәлдікті төмендетуі мүмкін. Олар құрылғы оптикасына кедергі келтіреді немесе жалған көрсеткіштер береді (беттің орнына шыны температурасын өлшейді). Бөгеуілдер болған кезде пайдаланбаңыз.

3. Барлық жабдықтың дұрыс тексерілгеніне көз жеткізіңіз.

Пайдалану

ҚОСУ және ӨШІРУ (Өлшемдер жасау)

1. micro IR-200 құрылғысын тұтқа қысқышынан ұстаңыз және оны өлшенетін бетке бағыттаңыз. Электр, жылжитын немесе ыстық бөліктерден алыс ұстаңыз. ҚОСПАС бұрын құрылғының жанында тұрған адамдардан алыс қауіпсіз бағытталғанына көз жеткізіңіз.
2. micro IR-200 құрылғысын ҚОСУ үшін триггерді қысыңыз. Триггерді қысқан кезде СКАНЕРЛЕУ белгішесі ҚОСЫЛАДЫ және micro IR-200 құрылғысы көрсетілген ағымдағы температура мәнін үздіксіз жаңартады және құрылғы ҚОСЫЛҒАННАН бергі ең жоғарғы температура мәнін көрсетеді.

Ыстық немесе салқын аумақтарын анықтау үшін micro IR-200 құрылғысын беттің үстінде ақырын жылжытуға болады. *Жоғарғы және төменгі дабыл баптаулары туралы ақпарат алу үшін Жоғарғы дабыл және төменгі дабыл бөлімдерін қараңыз.*

3. Триггер босатылған кезде ҰСТАУ белгішесі ҚОСЫЛАДЫ. Құрылғы Үздіксіз өлшеу режимінде болмаса, micro IR-200 құрылғысы жеті секундтан кейін автоматты түрде ӨШЕДІ.

micro IR-200 басқару элементтері



9-сурет – micro IR-200 дисплейі/түймелері

Үздіксіз өлшеу (сканерлеу) режимі

Триггерді ұстамай өлшей беру үшін micro IR-200 құрылғысын ҚОСУЛЫ күйде құлыптауға болады. ҚОСПАС бұрын құрылғының жанында тұрған адамдардан алыс қауіпсіз бағытталғанына көз жеткізіңіз. Триггерді қысып және ұстап, micro IR-200 құрылғысын ҚОСЫҢЫЗ. Триггерді ұстаған кезде мәзір түймесін басыңыз және босатыңыз. СКАНЕРЛЕУ және Құлыптау белгішелері ҚОСЫЛАДЫ. Триггерді босатыңыз және micro IR-200 құрылғысы триггер қосқышы қайта қысылып, босатылғанша өлшенетін температураны үздіксіз жаңартады.

Лазер қосылған/ажыратылған

Егер қажет болса, батарея қуатын сақтау үшін бағыттау үшін пайдаланылатын лазерлерді өшіруге болады. Егер бұл орындалса, тиісті көрсеткіштерді қамтамасыз ету үшін micro IR-200 құрылғысын бағыттаған кезде өте сақ болу керек. Қосу немесе ажырату үшін триггерді қысқан кезде лазерді қосу түймесін басып босатыңыз. Лазер қосылған кезде Лазерді қосу түймесі ҚОСЫЛАДЫ.

Артқы жарық

Егер жарығы аз аумақта пайдалансаңыз, micro IR-200 құрылғысы дисплейдің артқы жарығымен жабдықталған. Артқы жарықты ҚОСУ және ӨШІРУ үшін құрылғының ҚОСУЛЫ күйінде артқы жарық түймесін басыңыз.

Мәзір түймесін пайдалану

Триггерді қысқаннан кейін, мәзір түймесін басып босату мына баптауларды осы ретпен шолу мүмкіндігін береді: Жоғарғы дабылды ҚОСУ/ӨШІРУ, Жоғарғы дабыл температурасы баптауы, Төменгі дабылды ҚОСУ/ӨШІРУ, Төменгі дабыл температурасы баптауы, Температура дисплейінің бірліктері, Сәулелену.

Жоғарғы дабыл

Ағымдағы температура алдын ала орнатылған шектен асқан кезде жоғарғы дабыл дыбыстық сигнал береді. Жоғарғы дабылды ҚОСУ үшін триггерді қысып босатыңыз және Жоғарғы дабыл белгішесі жыпылықтағанша мәзір түймесін басып босатыңыз. Ағымдағы температура мәні жолында көрсетілгендей Жоғарғы дабыл мүмкіндігін ҚОСУ/ӨШІРУ үшін жоғары/төмен түймелерін пайдаланыңыз. Мәзір түймесін қайта басып босатыңыз. Жоғарғы дабыл белгішесі жыпылықтай береді және Жоғарғы дабыл температурасы көрсетіледі. Қажетті Жоғарғы дабыл температурасын өзгерту үшін жоғары/төмен түймелерін пайдаланыңыз. Баптаулар режимінен шығу және таңдауды сақтау үшін триггерді қысыңыз.

Төменгі дабыл

Ағымдағы температура алдын ала орнатылған шекке жетпеген кезде төменгі дабыл дыбыстық сигнал береді. Төменгі дабылды ҚОСУ үшін триггерді қысып босатыңыз және Төменгі дабыл белгішесі жыпылықтағанша мәзір түймесін басып босатыңыз. Ағымдағы температура мәні жолында көрсетілгендей Төменгі дабыл мүмкіндігін ҚОСУ/ӨШІРУ үшін жоғары/төмен түймелерін пайдаланыңыз. Мәзір түймесін қайта басып босатыңыз. Төменгі дабыл белгішесі жыпылықтай береді және Төменгі дабыл температурасы көрсетіледі. Қажетті Төменгі дабыл температурасын өзгерту үшін жоғары/төмен түймелерін пайдаланыңыз. Баптаулар режимінен шығу және таңдауды сақтау үшін триггерді қысыңыз.

Температура дисплейінің бірліктері - °C/°F

micro IR-200 құрылғысы температураларды Цельсий (C) немесе Фаренгейт (F) градусында көрсете алады. Дисплей құрылғысын өзгерту үшін триггерді қысып босатыңыз және экрандағы температура бірлігі жыпылықтағанша мәзір түймесін басып босатыңыз. Қажетті C немесе F арасында ауысу үшін жоғары/төмен түймелерін пайдаланыңыз. Баптаулар режимінен шығу және таңдауды сақтау үшін триггерді қысыңыз.

Сәулелену

Сәулелену мәнін 0,10 және 1,00 аралығында орнатуға болады. Қолдану үшін жарамды мәнді анықтау үшін Орнату бөлімін қараңыз. Осы мәнді реттеу үшін триггерді қысып босатыңыз және экрандағы сәулелену мәні жыпылықтағанша мәзір түймесін басып босатыңыз. Сәулелену мәнін көбейту немесе азайту үшін жоғары/төмен түймелерін пайдаланыңыз. Баптаулар режимінен шығу және таңдауды сақтау үшін триггерді қысыңыз.

Тазалау

RIDGID micro IR-200 түйіспесіз инфрақызыл термометрін суға батырмаңыз. Кірді дымқыл жұмсақ шүберекпен кетіріңіз. Өте әсерлі тазалау құралдарын немесе ерітінділерін пайдаланбаңыз. Құралды телескоп немесе камера секілді пайдаланыңыз.

Сақтау

RIDGID micro IR-200 инфрақызыл термометрін -10°C (14°F) және 60°C (140°F) аралығындағы температурада құрғақ қауіпсіз жерде сақтау керек.

Құралды балалардың қолы жетпейтін және micro IR-200 құрылғысымен таныс емес адамдардан алшақ қулыпталған аумақта сақтаңыз.

Батареяның ағып кетпеуі үшін ұзақ уақыт бойы сақтау немесе жөнелту алдында алып тастаңыз.

Қызмет көрсету және жөндеу

ЕСКЕРТУ

Орынсыз қызмет көрсету немесе жөндеу RIDGID micro IR-200 түйіспесіз инфрақызыл термометрінің пайдалануын қауіпті етуі мүмкін.

micro IR-200 құрылғысының қызмет көрсетілуін және жөнделуін RIDGID өкілетті тәуелсіз қызмет көрсету орталығы жүргізуі тиіс.

Ең жақын RIDGID өкілетті тәуелсіз қызмет көрсету орталығы немесе кез келген қызмет не жөндеу сұрақтары бойынша ақпарат алу үшін:

- Жергілікті RIDGID дистрибуторына хабарласыңыз.
- Жергілікті Ridge Tool байланыс орнын табу үшін RIDGID.com веб-торабына кіріңіз.
- Ridge Tool Техникалық қызмет бөліміне rttechservices@emerson.com торабында хабарласыңыз немесе АҚШ және Канада аумағында (800) 519-3456 нөміріне қоңырау шалыңыз.

Тастау

RIDGID micro IR-200 түйіспесіз инфрақызыл термометрінің бөліктерінде құнды материалдар бар және оларды қайта өңдеуге болады. Қайта өңдеу компанияларын жергілікті жерден табуға болады. Компоненттерді барлық қолданылатын ережелерге сай тастаңыз. Жергілікті қоқыстарды басқару мекемесіне хабарласыңыз.



ЕО елдері үшін: Электр жабдығын тұрмыстық қоқыстармен бірге тастамаңыз!

Электрлік және электрондық жабдықты тастау жөніндегі 2012/19/EU Европа стандартына және оның ұлттық заңнамаларда қолданылуына сәйкес, қолдануға жарамсыз электр жабдығы жеке жинақталып, экологиялық дұрыс жағдайда тасталуы қажет.

Батареяны жою

ЕО елдері үшін: Ақаулы немесе пайдаланылған батареяларды 2012/19/EU талаптарына сәйкес қайта өңдеу керек.

RIDGID® micro IR-200 Non-Contact Infrared Thermometer

RIDGE TOOL COMPANY
400 Clark Street
Elyria, Ohio 44035-6001
U.S.A.

EC DECLARATION OF CONFORMITY

We declare that the machines listed above, when used in accordance with the operator's manual, meet the relevant requirements of the Directives and Standards listed below.

DÉCLARATION DE CONFORMITÉ CE

Nous déclarons que lorsqu'elles sont utilisées selon leur mode d'emploi, les machines indiquées ci-dessus répondent aux exigences applicables des directives et normes ci-après.

DECLARACIÓN DE CONFORMIDAD DE LA CE

Declaramos que las máquinas listadas más arriba, cuando se usan conforme al manual del operario, cumplen con los requisitos pertinentes de las directrices y normas listadas a continuación.

PROHLÁŠENÍ O SHODĚ ES

Prohlašujeme, že výše uvedené nástroje a zařízení splňují při použití v souladu s jejich návodem k obsluze příslušné požadavky níže uvedených směrníc a nariadení.

EF-OVERENSSTEMMELSEERKLÆRING

Vi erklærer, at de ovenfor anførte maskiner, ved brug i overensstemmelse med brugervejledningen, opfylder de relevante krav i de nedenfor anførte direktiver og standarder.

EG KONFORMITÄTSEKTLÄRUNG

Wir erklären, dass die oben aufgeführten Maschinen, wenn sie entsprechend der Bedienungsanleitung verwendet werden, die einschlägigen Anforderungen der folgenden Richtlinien und Normen erfüllen.

ΔΗΛΩΣΗ ΣΥΜΜΟΡΦΩΣΗΣ ΕΚ

Δηλώνουμε ότι τα μηχανήματα που αναφέρονται παραπάνω, όταν χρησιμοποιούνται σύμφωνα με το εγχειρίδιο χειρισμού, πληρούν τις σχετικές απαιτήσεις των παρακάτω Οδηγιών και Προτύπων.

Ridge Tool Europe NV (RIDGID)
Ondernemerslaan 5428
3800 Sint-Truiden
Belgium

EY-VAATIMUSTENMUKAISUUSVAKUUTUS

Vakuutamme, että edellä luettelut koneet täyttävät käyttöohjekirjan mukaisesti käytettynä seuraavien direktiivien ja standardien vaatimukset.

EU IZJAVA O SUKLADNOSTI

Izjavljujemo da su gore navedeni strojevi, kada se koriste u skladu s priručnikom za korisnike, sukladni s relevantnim zahtjevima dolje navedenih direktiva i standarda.

EK MEGFELELŐSÉGI NYILATKOZAT

Kijelentjük, hogy a fent felsorolt gépek - amennyiben a kezelési útmutatónak megfelelően használják őket - megfelelnek az alább felsorolt irányelvek és Szabványok követelményeinek.

DICHIARAZIONE DI CONFORMITÀ CE

Dichiariamo che le macchine elencate in alto, se utilizzate in conformità con il manuale dell'operatore, soddisfano i relativi requisiti delle Direttive e degli Standard specificati di seguito.

EO СӘЙКЕСТІК МӘЛІМДЕМЕСІ

Біз жоғарыда көрсетілген құрылғылардың пайдаланушы нұсқаулығына сәйкес пайдаланылған жағдайда төменде көрсетілген Директивалар мен Стандарттардың тиісті талаптарына жауап беретінін мәлімдейміз.

EG-CONFORMITEITSVERKLARING

Hierbij verklaren wij dat de hierboven vermelde machines, mits gebruikt in overeenstemming met de handleiding, voldoen aan de relevante eisen van de hieronder vermelde richtlijnen en normen.

CE-SAMSVARERKLÆRING

Vi erklærer at maskinene oppført over oppfylder de relevante kravene i direktiver og standarder oppført under dersom de brukes i henhold til bruksanvisningene.

DEKLARACJA ZGODNOŚCI WE

Deklarujemy, że maszyny wymienione powyżej, gdy są używane zgodnie z podręcznikiem użytkownika, spełniają właściwe wymagania Dyrektyw i Standardów, wymienione poniżej.

DECLARAÇÃO DE CONFORMIDADE CE

Declaramos que as máquinas listadas acima, quando utilizadas de acordo com o manual do operador, cumprem os requisitos relevantes das Diretivas e Normas listadas abaixo.

DECLARAȚIE DE CONFORMITATE CE

Declarăm că mașina specificată mai jos, atunci când este utilizată în conformitate cu manualul de exploatare, îndeplinește cerințele relevante ale Directivelor și standardelor specificate mai jos.

ДЕКЛАРАЦИЯ СООТВЕТСТВИЯ ЕС

Мы заявляем, что инструменты, перечисленные выше, при условии использования согласно руководству по эксплуатации, отвечают соответствующим требованиям указанных ниже директив и стандартов.

ES PREHLÁSENIE O ZHODE

Vyhlasujeme, že stroje uvedené vyššie spĺňajú relevantné požiadavky smerníc a noriem uvedených nižšie, ak sa používajú podľa návodu na použitie.

IZJAVA ES O SKLADNOSTI

Izjavljamo, da zgoraj omenjeni stroji, ko se uporabljajo skladno z uporabniškim priročnikom, izpolnjujejo relevantne zahteve spodaj omenjenih direktiv in standardov.

EC DEKLARACIJA O USAGLAŠENOSTI

Izjavljujemo da gore navedeni strojevi, ako se koriste u skladu s priručnikom za korisnike, zadovoljavaju relevantne zahteve direktiva i standarda koji se navode dole.

EG-FÖRSÄKRAN OM ÖVERENSSTÄMMELSE

Vi meddelar att maskinen som anges ovan uppfyller de aktuella kraven i de angivna direktiven och standarderna nedan när den används enligt bruksanvisningen.

AB UYGUNLUK BEYANI

Yükanda listelenen makinelerin, kullanici kılavuzuna göre kullanıldığında, aşağıda listelenen Direktiflerin ve Standartların ilgili gereksinimlerini karşıladığını beyan ederiz.

EÜ VASTAVUSDEKLARATSIOON

Kinnitame, et eelpool loetletud masinad vastavad allpool loetletud direktiivide ja standardite asjakohastele nõuetele, kui neid kasutatakse vastavalt kasutusjuhendile.

EK ATBILSTĪBAS DEKLARĀCIJA

Mēs apliecinām, ka iepriekšminētās iekārtas, izmantojot tās saskaņā ar operatora rokasgrāmatu, atbilst attiecīgajām tālāk norādīto direktīvu un standartu prasībām.

DEARBHÚ COMHRÉACHTA AN CE

Fógraímid go bhfuil na hinnill sa liosta thuas i gcomhréir le riachtanais ábhartha na dTreochara agus na gCaighdeán sa liosta thíos, ach iad a úsáid de réir an lámhleabhair don oibreoir.

EB ATITIKTIES DEKLARACIJA

Deklaruojame, kad pirmiau išvardytos mašinos, jei naudojamos pagal naudotojo vadovą, atitinka atitinkamus toliau išvardytų direktyvų ir standartų reikalavimus.


EO DEKLARACIJA ZA СЪОТВЕТСТВИЕ

Декларираме, че изброените по-горе машини, когато се използват в съответствие с Ръководство за оператора, отговарят на съответните изисквания на директивите и стандартите, изброени по-долу.



2004/108/EC, 2011/65/EU, EU 2015/863
EN61326-1, EN61326-2-2



Signature: 
Name: Harald Krondorfer
Qualification: V.P. Engineering
Date: 09/01/2021



FULL LIFETIME WARRANTY (garantie légale étendue à la durée de vie du produit,
voir conditions de garantie / legal warranty extended to the product lifecycle,
see warranty conditions)

**For Warranty Information for your World Region
visit RIDGID.com**

Ridge Tool Europe NV (RIDGID)

Ondernemerslaan 5428
3800 Sint-Truiden
Belgium
Tel.: +32 (0)11 598 620
RIDGID.com

Printed 4/22
ECN000501

©2015, 2022 Ridge Tool Company
RIDGID and the Emerson logo are registered trademarks of Emerson Electric Co. or its subsidiaries in the US and other countries.
Any other trademarks belong to their respective holders.

999-995-066.09
REV. F

RIDGID



EMERSON