

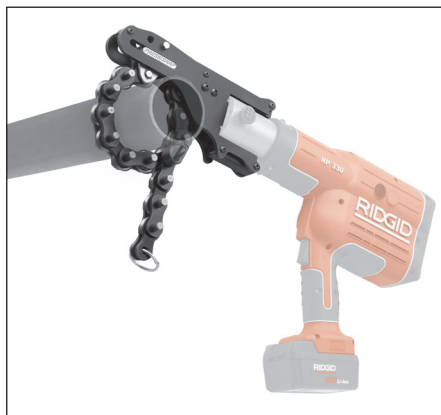
Press Snap™ Soil Pipe Cutter



For Use With RIDGID® Standard Press Tools

The Press Snap™ Soil Pipe Cutter expands the capabilities of RIDGID® standard press tools by providing a fast and easy way to cut cast iron soil pipe. Without lengthy lever arms used by traditional soil pipe cutters, improved access is a *snap*.

The Press Snap cutter works with all RIDGID standard press tools (CT-400, 320-E, RP 330-B and RP 330-C) to cut most 1½" – 4" soil pipe in seconds. Simply connect the Press Snap cutter to a RIDGID press tool, wrap the chain around the pipe, and press. No manual ratcheting or additional tools are required. Cutting soil pipe has never been so easy!



Specifications

- Compatible with all RIDGID® Standard Press Tools
- Cuts 1½" to 4" No Hub & Service Weight Soil Pipe
- No lengthy lever arms
- Eliminates the need to score the pipe
- Completes the cut in seconds
- Standard Kit: Press Snap Cutter, Case and Operator's Manual



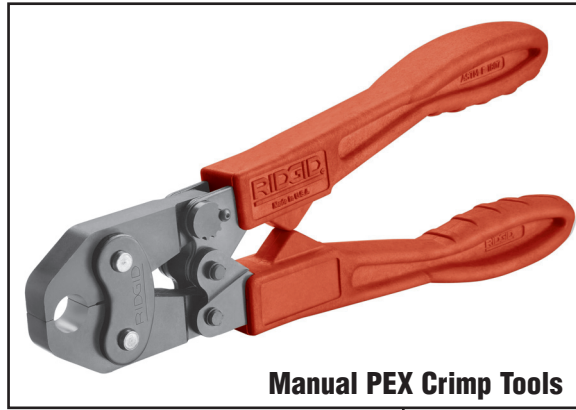
Ordering Information

| Catalog No. | Description | Tool Weight | Std. Pack |
|-------------|-----------------------------------|-------------|-----------|
| 34403 | Press Snap Soil Pipe Cutter Kit | 12 lbs | 1 |
| 34678 | Case, Press Snap Soil Pipe Cutter | 3.4 lbs | 1 |





320E



Manual PEX Crimp Tools



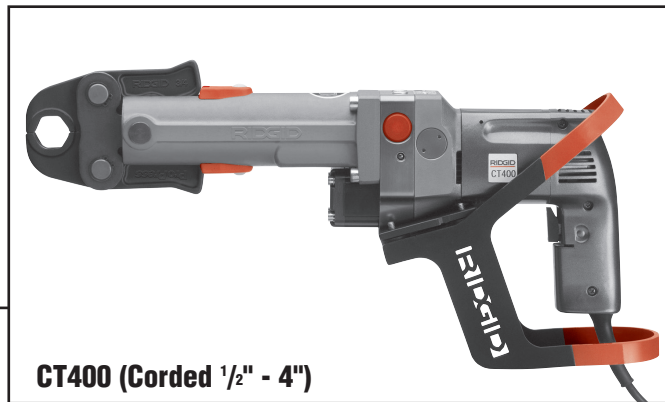
**Press Jaws For
Metalic & Plastic Systems**



RP 330-B



RP 330-C



CT400 (Corded 1/2" - 4")



Fittings Bag

Distributor

For the complete selection of the Ridge Tool product line, please refer to the Ridge Tool Catalog or www.RIDGID.com.