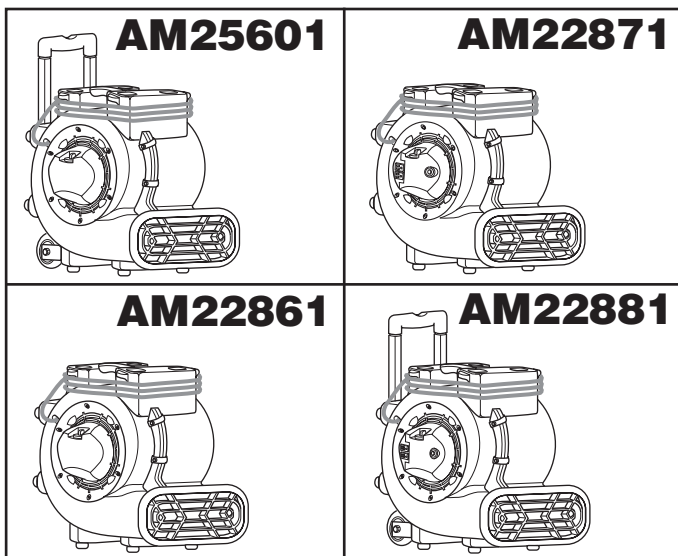


**OWNER'S MANUAL  
 MANUAL DEL USUARIO  
 MODE D'EMPLOI**

**3-SPEED AIR MOVER  
 DESPLAZADOR DE AIRE DE TRES VELOCIDADES  
 APPAREIL DE VENTILATION À TROIS VITESSES**



**FOR QUESTIONS OR INFORMATION CONTACT US AT  
 1-800-4-RIDGID (1-800-474-3443) from the US and Canada, 01-800-701-9811 from Mexico  
 www.RIDGIDvacs.com**

**TABLE OF CONTENTS**

\*\*\*\*\*

- SAFETY INSTRUCTIONS ..... 2
- INTRODUCTION ..... 4
- OPERATION ..... 5
- STORAGE ..... 6
- MAINTENANCE ..... 6
- TROUBLESHOOTING ..... 7
- REPAIR PARTS ..... 8

**ÍNDICE DE CONTENIDO**

\*\*\*\*\*

- INSTRUCCIONES DE SEGURIDAD .. 9
- INTRODUCCIÓN ..... 11
- FUNCIONAMIENTO ..... 12
- ALMACENAMIENTO ..... 13
- MANTENIMIENTO ..... 13
- RESOLUCIÓN DE PROBLEMAS .. 14
- PIEZAS DE REPUESTO ..... 15

**TABLE DES MATIÈRES**

\*\*\*\*\*

- INSTRUCTIONS RELATIVES  
 À LA SÉCURITÉ ..... 16
- INTRODUCTION ..... 18
- FONCTIONNEMENT ..... 19
- RANGEMENT ..... 20
- ENTRETIEN ..... 20
- DÉPANNAGE ..... 21
- PIÈCES DE RECHANGE ..... 24

**⚠ WARNING:**

To reduce the risk of injury, the user must read and understand the owner's manual before using this product.

**⚠ ADVERTENCIA:**

Para reducir el riesgo de lesiones, el usuario debe leer y comprender el manual del usuario antes de usar este producto.

**⚠ AVERTISSEMENT :**

Pour réduire les risques de blessures, l'utilisateur doit lire et veiller à bien comprendre le mode d'emploi avant d'utiliser ce produit.

**SAVE THIS MANUAL  
 FOR FUTURE REFERENCE**

**GUARDE ESTE MANUAL  
 PARA REFERENCIA FUTURA**

**CONSERVER CE MANUEL  
 POUR RÉFÉRENCE FUTURE**

# IMPORTANT SAFETY INSTRUCTIONS

## READ AND SAVE THESE INSTRUCTIONS

Safety is a combination of using common sense, staying alert, and knowing how your Air Mover works.

### Safety Signal Words

**▲ DANGER:** Indicates a hazardous situation which, if not avoided, will result in death or serious injury.

**▲ WARNING:** Indicates a hazardous situation which, if not avoided, could result in death or serious injury.

**▲ CAUTION:** Indicates a hazardous situation which, if not avoided, could result in minor or moderate injury or property damage.

When using your Air Mover, always follow basic safety precautions including the following:

### ▲ WARNING:

- To reduce the risk of fire, electric shock, or injury:

- Read and understand this manual and all labels on the Air Mover before operating.
- Use only as described in this manual.
- Do not leave plugged into outlet when not in use or when servicing. Turn off before unplugging.
- Store and use indoors only.
- Do not operate unattended.
- Use only with GFCI-protected outlets.
- Do not use an extension cord with this Air Mover.
- Do not use with a solid state speed control device.
- Keep dry, do not expose to rain, water, other liquids, or immerse in or use in standing water.
- Thoroughly dry the air mover before operating if it has been exposed to rain, water, or other liquids while it was stored and not being operated.
- Immediately stop using the Air Mover if it has been immersed in water or if exposed to rain, water, other liquids while being operated. Discard the Air Mover or contact customer service for authorized service facility repair.
- Do not handle plug, switch, or the Air Mover with wet hands.

- All disassembly and repairs should be performed by qualified personnel.
- Do not use your Air Mover if it is not working as it should, has missing parts, has been dropped, damaged, or left outdoors, call customer service for authorized service facility examination and/or repair.
- Electrical appliances can ignite flammable vapors or dust. Do not use near combustible liquids, gases, or dusts.
- To reduce the risk of stirring up and inhaling toxic vapors, do not use near toxic or hazardous materials.
- This unit's motor has an automatically operated thermal protective device which will shut down the unit during operation when overheating occurs and can restart at any moment. Unplug before servicing or cleaning.
- Do not unplug by pulling on cord. To unplug, grasp the plug, not the cord.
- Do not operate any Air Mover with a damaged cord or plug. Discard Air Mover or contact customer service for authorized service facility examination and/or repair.
- Do not pull or carry by cord, use cord as handle, close a door on cord, or pull cord around sharp edges or corners.
- Do not run cord under carpeting. Do not cover cord with throw rugs, runners, or similar coverings. Do not route cord under furniture or appliances. Arrange cord away from traffic area and where it will not be tripped over.
- Observe the 8 Amp maximum on-board convenience outlet rating when interconnecting units together (AM22871 & AM22881).
- This Air Mover is not intended for use by persons (including children) with reduced physical, sensory, or mental capabilities, or lack of experience and knowledge, unless they have been given supervision or instruction concerning use of the appliance by a person responsible for their safety.
- Do not allow to be used as a toy. Close attention is necessary when used by or near children.
- Never operate with safety grills removed.
- Do not put any object into air intake openings.
- Keep hair, loose clothing, fingers, and all parts of body away from openings and moving parts.
- Direct air discharge only at work area. Do not direct air at bystanders.
- When storing, do not stack Air Movers more than 2 units high.

# IMPORTANT SAFETY INSTRUCTIONS

## **⚠ CAUTION:**

- For dusty operations, wear dust mask.
- Do not move or carry Air Mover when it is operating.
- Only operate on a level and stable surface to prevent the Air Mover from falling and possibly causing injury or damage to unit.

Observe the following warnings that appear on the motor housing of your Air Mover:

## **⚠ WARNING:**

To reduce the risk of fire, electric shock or injury:

- **Keep dry, do not expose to rain, water, other liquids, or immerse in or use in standing water.**
- **Use only with GFCI-protected outlets.**
- **This Air Mover has an automatic motor shutoff device; it may restart without notice. To reduce the risk of injury, unplug before servicing.**
- **Do not use an extension cord with this air mover.**

## **⚠ WARNING:**

**TO REDUCE THE RISK OF TIP-OVER DURING STORAGE, STACK 2-HIGH ONLY.**

## **⚠ WARNING:**

**Do not exceed 8 Amps through the on-board convenience outlets (AM22871 & AM22881).**

## MOTOR SPECIFICATIONS AND ELECTRICAL REQUIREMENTS

This Air Mover is provided with a 3-speed, 120 volt, 60 Hz induction motor with a grounding conductor. It is thermally protected and will automatically shut down if over-heated. Once it cools, the motor will restart automatically if not unplugged.

In the event of a malfunction or breakdown, grounding provides a path of least resistance for electric current to reduce the risk of electric shock.

This Air Mover is equipped with an electric cord having an equipment grounding conductor and a grounding plug. The plug must be plugged into a matching outlet that is properly installed and grounded in accordance with all local codes and ordinances.

Do not modify the plug provided. If it will not fit the outlet, have the proper outlet installed by a qualified electrician.

# INTRODUCTION

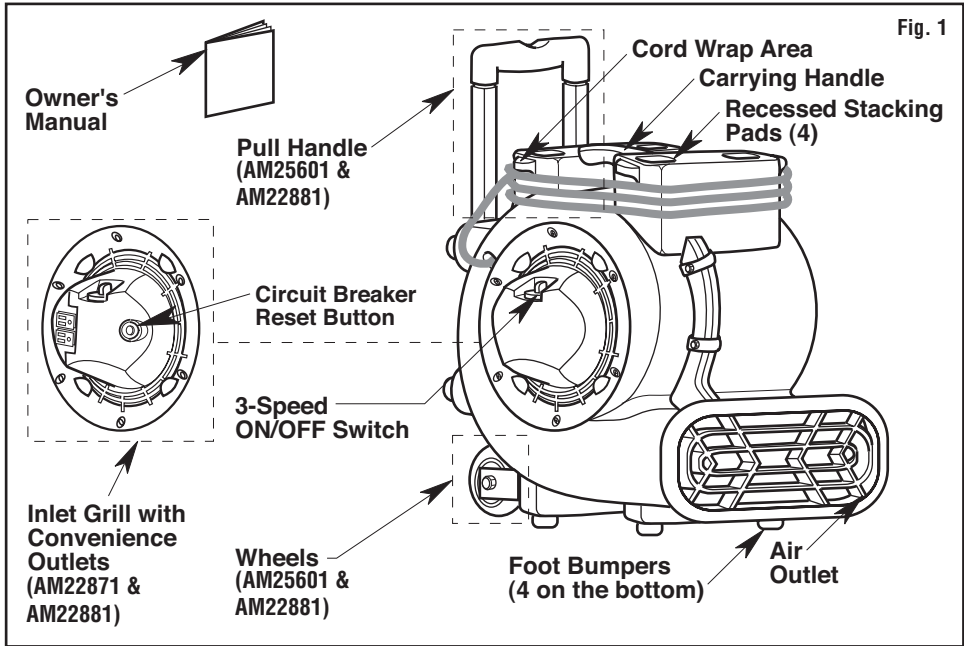
## UNPACKING (Fig. 1)

Carefully unpack and inspect your Air Mover.

Call 1-800-4-RIDGID (1-800-474-3443) or E-mail us at info@RIDGIDvac.com if any parts are damaged or missing.

Air Movers are designed to move large volumes of air. They are used for air circulation, area drying, cooling and ventilation. Familiarize yourself with the controls and features of your Air Mover before operating.

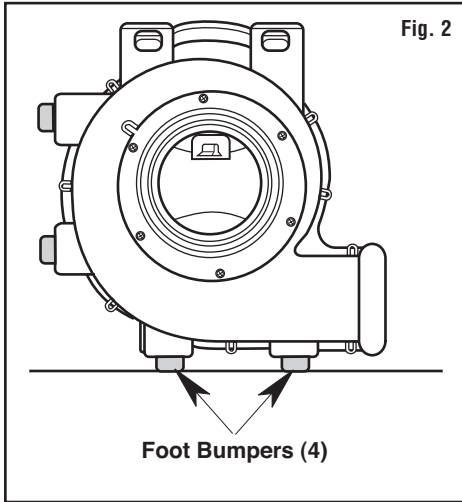
## GETTING TO KNOW YOUR AIR MOVER



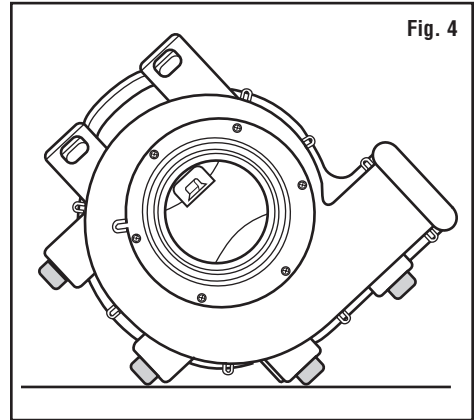
# OPERATION

Place Air Mover in desired operating position (Your Unit May Not Be As Illustrated):

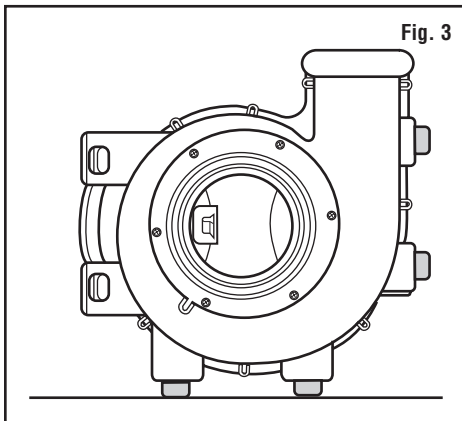
## FLOOR & CARPET (Fig. 2)



## 45° WALLS & VENTILATION (Fig. 4)



## 90° CEILINGS & VENTILATION (Fig. 3)



## AIR MOVER INTERCONNECTION

RIDGID Air Movers can be interconnected in series using the convenience outlets. Applicable Models include AM22871 and AM22881. If utilizing the series interconnection feature, only use Air Movers that total less than the recommended 7.9 Amp maximum convenience outlet rating. The 8 Amp on-board circuit breaker will allow up to two (2) additional RIDGID Air Movers to run on the first Air Mover at the same time.

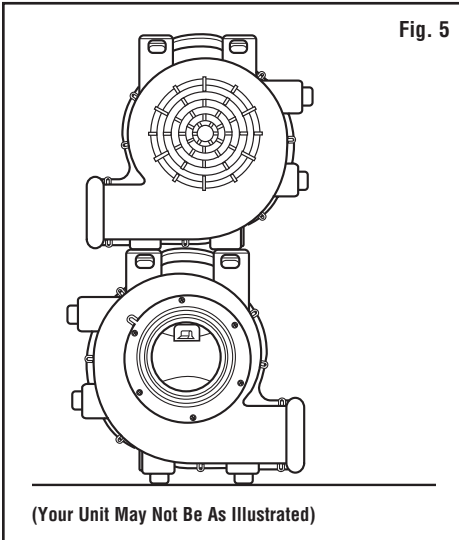
**NOTE:** Air Mover Models AM22871 and AM22881 are equipped with convenience outlets with an on-board 8 Amp circuit breaker. If the convenience outlet overloads, the circuit breaker will trip. If the circuit breaker does trip, turn the switch to the off position and unplug all units then press the circuit breaker reset button. Plug the units back into the power source. The on-board convenience outlets on the Air Mover will be actively powered when the Air Mover is plugged in and the circuit breaker is properly reset.

# STORAGE

When stacking units, position the four foot bumpers on the recessed stacking pads.

The units conveniently “stack” for storage, as shown, no more than two (2) units high.

## PREFERRED POSITION (Fig. 5)

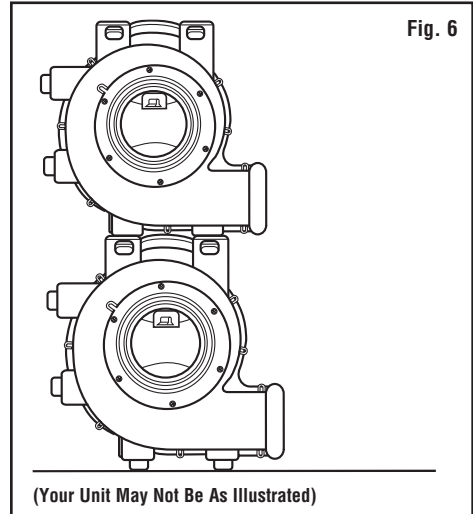


## ⚠ CAUTION:

Do not operate Air Mover when stacked on top of each other.

Do not stack more than 2 high.

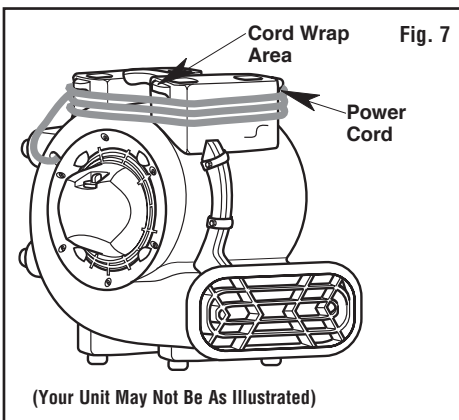
## ALTERNATE POSITION (Fig. 6)



# MAINTENANCE

## CORD MAINTENANCE (Fig. 7)

When use is complete, unplug the power cord and wrap it around the cord wrap area as shown. If the power cord is damaged, it must be replaced by the manufacture or their service agent or by qualified personnel in order to reduce the risk of accident.



## STORAGE

Before storing your Air Mover, the power cord should be wrapped around the unit. The Air Mover should be stored indoors.

## CLEANING YOUR AIR MOVER

Unplug the power cord before cleaning. If the polypropylene housing becomes soiled it may be wiped off with a damp cloth. Keep dry, never splash or spray the unit with water or cleaning solutions. Make sure inlet grills, exhaust grille and blower wheel surfaces remain clean of dust and dirt build-up.

## WHEELS (AM25601 & AM22881)

If your wheels are noisy, you may put a drop of oil on the roller shaft to make them quieter.

# USER SERVICING/TROUBLESHOOTING INSTRUCTIONS

**⚠ WARNING:** Unplug before any disassembly or servicing.

**⚠ WARNING:** All disassembly and repairs should be performed by authorized service facility personnel.

**⚠ WARNING:** After servicing, any safety device (includes grilles, impeller, etc.) should be reinstalled or remounted.

PROBLEM	PROBABLE CAUSE	SOLUTION
Unit will not run.	<ol style="list-style-type: none"> <li>1. No power to unit.</li> <li>2. Switch not on.</li> <li>3. Switch is faulty.</li> <li>4. Faulty/broken cord, plug or motor wire.</li> </ol>	<ol style="list-style-type: none"> <li>1. Plug unit in. Check circuit breaker.</li> <li>2. Place in "ON" position.</li> <li>3. Replace switch.</li> <li>4. Discard air mover or contact customer service for authorized service facility repair.</li> </ol>
Unit runs but air mover makes loud scraping noise.	<ol style="list-style-type: none"> <li>1. Unit has been severely jolted causing blower wheel to rub against housing.</li> <li>2. Unit has been severely jolted causing housing to deform.</li> </ol>	<ol style="list-style-type: none"> <li>1. Remove motor and replace damaged motor if necessary.</li> <li>2. Replace blower wheel.</li> </ol>
Unit runs but vibrates excessively.	<ol style="list-style-type: none"> <li>1. Severe jolt has bent motor shaft causing unit to be out of balance.</li> <li>2. Blower wheel blade damaged.</li> <li>3. Dirt build up on one side of Air Mover blower wheel.</li> </ol>	<ol style="list-style-type: none"> <li>1. Remove and replace motor.</li> <li>2. Replace blower wheel if necessary.</li> <li>3. Clean blower wheel blades.</li> </ol>
Unit runs but blower wheel does not turn.	<ol style="list-style-type: none"> <li>1. Blower wheel is jammed against housing.</li> <li>2. Capacitor wire has broken/come loose, capacitor has failed.</li> <li>3. Housing has been damaged such that it presses on blower wheel.</li> </ol>	<ol style="list-style-type: none"> <li>1. Adjust and replace blower wheel if necessary.</li> <li>2. Repair/replace motor if necessary.</li> <li>3. Replace unit as necessary.</li> </ol>
Unit runs briefly, then shuts off on overload.	<ol style="list-style-type: none"> <li>1. Motor bearings are failing or motor has developed an internal electrical fault.</li> <li>2. Intake grille and/or exhaust grille is obstructed.</li> </ol>	<ol style="list-style-type: none"> <li>1. Replace motor.</li> <li>2. Remove obstruction.</li> </ol>
Convenience outlet not working.	<ol style="list-style-type: none"> <li>1. No power to unit.</li> <li>2. Convenience outlet circuit (if equipped) breaker not reset.</li> </ol>	<ol style="list-style-type: none"> <li>1. Plug unit in.</li> <li>2. Reset circuit breaker.</li> </ol>
Unit has been exposed to rain, water or other liquids while in storage.	<ol style="list-style-type: none"> <li>1. Unit was not stored in a dry location.</li> </ol>	<ol style="list-style-type: none"> <li>1. Thoroughly dry the air mover before operating.</li> </ol>
Unit has been immersed in water or exposed to rain, water, or other liquids while being operated.	<ol style="list-style-type: none"> <li>1. Unit was exposed to rain, water or other liquids while being operated.</li> </ol>	<ol style="list-style-type: none"> <li>1. Unplug the air mover and immediately stop using. Discard Air Mover or contact customer service for authorized service facility repair.</li> </ol>

# REPAIR PARTS

**Three Speed Air Mover**  
**Model Numbers AM22861, AM22871, AM25601 or AM22881**  
**RIDGID parts are available on-line at [store.ridgid.com/air-movers](http://store.ridgid.com/air-movers)**

Always order by Part Number - Not by Key Number

# RIDGID®

## Symbol of Quality, Durability and Dependability

### What is covered

RIDGID® tools are warranted to be free of defects in workmanship and material.

### How long coverage lasts

This warranty lasts for the lifetime of the RIDGID® tool. Warranty coverage ends when the product becomes unusable for reasons other than defects in workmanship or material.

### How can you get service

To obtain the benefit of this warranty, deliver via prepaid transportation the complete product to RIDGE TOOL COMPANY, Elyria, Ohio, or any authorized RIDGID® INDEPENDENT SERVICE CENTER. Pipe wrenches and other hand tools should be returned to the place of purchase.

### What we will do to correct problems

Warranted products will be repaired or replaced, at RIDGE TOOL's option, and returned at no charge; or, if after three attempts to repair or replace during the warranty period the product is still defective, you can elect to receive a full refund of your purchase price.

### What is not covered

Failures due to misuse, abuse or normal wear and tear are not covered by this warranty. RIDGE TOOL shall not be responsible for any incidental or consequential damages.

### How local law relates to the warranty

Some states do not allow the exclusion or limitation of incidental or consequential damages, so the above limitation or exclusion may not apply to you. This warranty gives you specific rights, and you may also have other rights, which vary, from state to state, province to province, or country to country.

### No other express warranty applies

This FULL LIFETIME WARRANTY is the sole and exclusive warranty for RIDGID® products. No employee, agent, dealer, or other person is authorized to alter this warranty or make any other warranty on behalf of the RIDGE TOOL COMPANY.

**Stock No. AM2286, AM2287, AM2560, AM2288**

**Model No. AM22861, AM22871, AM25601, AM22881**

Model and serial number may be found on the back of the unit.

You should record both model and serial numbers in a safe place for future use.

**FOR QUESTIONS OR INFORMATION CONTACT US AT**  
**1-800-4-RIDGID (1-800-474-3443) from the US and Canada**  
**01-800-701-9811 from Mexico**  
**[www.RIDGIDvacs.com](http://www.RIDGIDvacs.com)**

Please have your Model Number and Serial Number on hand when calling.



# EMERSON™

[www.RIDGID.com](http://www.RIDGID.com)

© 2021 Emerson

Part No. SP7019

Form No. SP7019-2

Printed in Mexico 05/21



# INSTRUCCIONES DE SEGURIDAD IMPORTANTES

## LEA Y GUARDE ESTAS INSTRUCCIONES

La seguridad es una combinación de sentido común, permanecer alerta y saber cómo funciona el desplazador de aire.

### Palabras de señal de seguridad

#### PELIGRO:

Indica una situación peligrosa que, si no se evita, causará la muerte o lesiones graves.

#### ADVERTENCIA:

Indica una situación peligrosa que, si no se evita, podría causar la muerte o lesiones graves.

#### PRECAUCIÓN:

Indica una situación peligrosa que, si no se evita, podría causar lesiones leves o moderadas o daños materiales.

Cuando utilice el desplazador de aire, siga siempre las precauciones básicas de seguridad, incluyendo las siguientes:

#### ADVERTENCIA:

– Para reducir el riesgo de incendio, sacudidas eléctricas o lesiones:

- Lea y entienda el manual del usuario y todas las etiquetas que están en el desplazador de aire antes de usarlo.
- Utilice la unidad únicamente de la manera que se describe en este manual.
- No deje la unidad enchufada en un tomacorriente cuando no se esté usando o cuando se le esté haciendo servicio de ajustes y reparaciones. Apáguela antes de desenchufarla.
- Almacene y utilice la unidad solo en lugares interiores.
- No tenga la unidad en funcionamiento desatendida.
- Utilice la unidad sólo con tomacorrientes protegidos con un interruptor GFCI.
- No use un cordón de extensión con este desplazador de aire.
- No utilice la unidad con un dispositivo de control de velocidad de estado sólido.
- Mantenga seca la unidad, no la exponga a lluvia, agua u otros líquidos, ni la sumerja o utilice en agua estancada.
- Seque minuciosamente el desplazador de aire antes de utilizarlo si ha estado expuesto a lluvia, agua u otros líquidos mientras estaba almacenado y no se estaba utilizando.
- Deje de utilizar inmediatamente el desplazador de aire si ha sido sumergido en agua o si se ha expuesto a lluvia, agua u otros líquidos durante su utilización. Deseche el desplazador de aire o contacte a servicio al cliente para que sea reparado por un centro de servicio autorizado.
- No maneje el enchufe, el interruptor o el desplazador de aire con las manos mojadas.
- Todo el desensamblaje y todas las reparaciones deberán ser realizados por personal calificado.

- No utilice su desplazador de aire si no está funcionando como debería, le faltan piezas, se ha caído, se ha dañado o se ha dejado a la intemperie. Llame a servicio al cliente para que sea examinado y/o reparado por un centro de servicio autorizado.
- Los electrodomésticos pueden incendiar los vapores o polvos inflamables. No use la unidad cerca de líquidos, gases o polvos inflamables.
- Para reducir el riesgo de levantar e inhalar vapores tóxicos, no use la unidad cerca de materiales tóxicos o peligrosos.
- El motor de esta unidad tiene un dispositivo protector térmico operado automáticamente que apagará la unidad durante su funcionamiento cuando se produzca sobrecalentamiento y puede rearmar en cualquier momento.
- No desenchufe la unidad tirando del cordón. Para desenchufarla, agarre el enchufe y no el cordón.
- No utilice ningún desplazador de aire con un cable o enchufe dañado. Deseche el desplazador de aire o contacte a servicio al cliente para que sea examinado y/o reparado por un centro de servicio autorizado.
- No tire de la unidad usando el cordón ni la lleve por el cordón, ni use el cordón como asa, ni cierre una puerta sobre el cordón, ni tire del cordón alre dedor de bordes o esquinas afilados.
- No pase el cable de alimentación por debajo de las alfombras. No cubra dicho cable con alfombrillas, alfombras de pasillo o cubiertas similares. No encamine el cable de alimentación por debajo de muebles o electrodomésticos. Ubique dicho cable alejándolo del área de tráfico y donde nadie se tropiece con él.
- No sobrepase la capacidad nominal máxima de 8 A de los tomacorrientes de conveniencia de a bordo cuando interconecte juntas varias unidades (AM22871 y AM22881).
- Este desplazador de aire no está diseñado para ser utilizado por personas (incluyendo niños) con capacidades físicas, sensoriales o mentales reducidas, o que carezcan de experiencia y conocimientos, a menos que una persona responsable de su seguridad les haya dado supervisión o instrucción en relación con el uso del aparato.
- No permita que la unidad se utilice como un juguete. Se necesita prestar máxima atención cuando sea utilizada por niños o cerca de éstos.
- No utilice nunca la unidad con las rejillas de seguridad retiradas.
- No ponga ningún objeto en las aberturas de entrada de aire.
- Mantenga el pelo, la ropa holgada, los dedos y todas las partes del cuerpo alejados de las aberturas y de las piezas móviles.
- Dirija la descarga de aire solamente hacia el área de trabajo. No dirija el aire hacia las personas que estén presentes.
- Cuando almacene desplazadores de aire, no los apile con una altura de más de 2 unidades.

# INSTRUCCIONES DE SEGURIDAD IMPORTANTES

## PRECAUCIÓN:

- Para operaciones que generan polvo, use una máscara antipolvo.
- No mueva ni transporte el desplazador de aire cuando esté funcionando.
- Utilice la unidad solamente sobre una superficie nivelada y estable para evitar que se caiga y posiblemente cause lesiones o se dañe la unidad.

Siga las siguientes advertencias que aparecen en la carcasa del motor del desplazador de aire:

## ADVERTENCIA:

Para reducir el riesgo de incendio, sacudidas eléctricas o lesiones:

- Mantenga la unidad seca, no la exponga a lluvia, agua u otros líquidos, ni la sumerja o utilice en agua estancada.
- Utilice la unidad sólo con tomacorrientes protegidos con un interruptor GFCI.
- Este desplazador de aire tiene un dispositivo de apagado automático del motor; es posible que re arranque sin previo aviso. Para reducir el riesgo de lesiones, desenchúfelo antes de hacerle servicio de ajustes y reparaciones.
- No use un cordón de extensión con este desplazador de aire.

## ADVERTENCIA:

PARA REDUCIR EL RIESGO DE VOLTEO DURANTE EL ALMACENAMIENTO, APILE LOS DESPLAZADORES DE AIRE SOLO CON UNA ALTURA DE 2 UNIDADES.

## ADVERTENCIA:

No exceda 8 A a través de los tomacorrientes de conveniencia de a bordo (AM22871 y AM22881).

## ESPECIFICACIONES DEL MOTOR Y REQUISITOS ELÉCTRICOS

Este desplazador de aire está equipado con un motor de inducción de 120 V, 60 Hz de 3 velocidades que tiene un conductor de conexión a tierra.

Está protegido térmicamente y se apagará automáticamente si se sobrecalienta. Una vez que se enfríe, el motor re arrancará automáticamente si la unidad no está desenchufada.

En caso de mal funcionamiento o avería, la conexión a tierra proporciona una ruta de resistencia mínima para la corriente eléctrica con el fin de reducir el riesgo de descargas eléctricas.

Este desplazador de aire está equipado con un cordón eléctrico que tiene un conductor de conexión a tierra del equipo y un enchufe de conexión a tierra, tal como se muestra en la ilustración. El enchufe debe enchufarse en un tomacorriente coincidente que esté instalado y conectado a tierra adecuadamente, de acuerdo con todos los códigos y ordenanzas locales.

No modifique el enchufe suministrado. Si no cabe en el tomacorriente, haga que un electricista calificado instale el tomacorriente apropiado.

# INTRODUCCIÓN

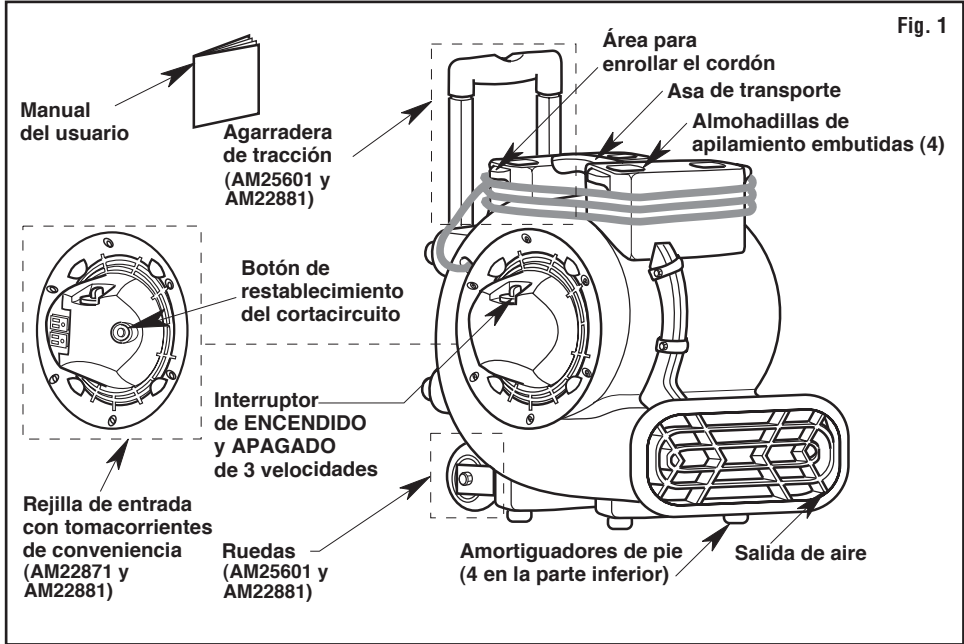
## DESEMPAQUETADO (Fig. 1)

Desempaque e inspeccione cuidadosamente el desplazador de aire.

Llame al 1-800-474-3443 o comuníquese con nosotros por correo electrónico dirigiéndose a [info@RIDGIDvacs.com](mailto:info@RIDGIDvacs.com) si alguna pieza está dañada o falta.

Los desplazadores de aire están diseñados para mover grandes volúmenes de aire. Se utilizan para proporcionar circulación de aire, secado de áreas, enfriamiento y ventilación. Familiarícese con los controles y las características de su desplazador de aire antes de utilizarlo.

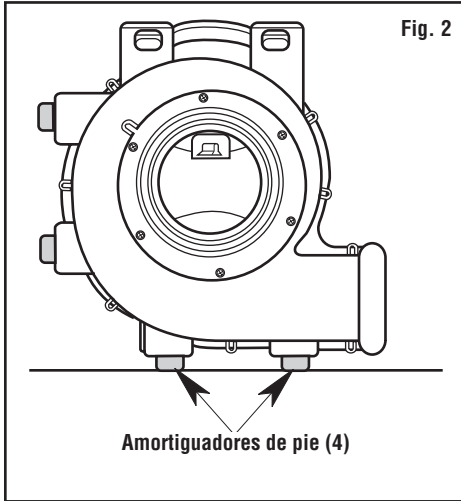
## FAMILIARIZACIÓN CON EL DESPLAZADOR DE AIRE



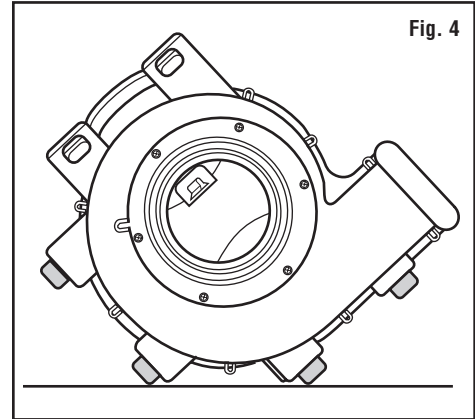
# FUNCIONAMIENTO

Coloque el desplazador de aire en la posición de funcionamiento deseada  
(Puede que su unidad no sea como la que se ilustra):

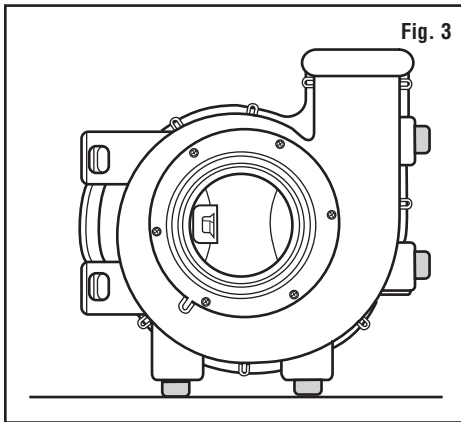
## PISO Y ALFOMBRA (Fig. 2)



## PAREDES Y VENTILACIÓN A 45° (Fig. 4)



## A 90° PARA TECHOS Y VENTILACIÓN (Fig. 3)



## INTERCONEXIÓN DE LOS DESPLAZADORES DE AIRE

Los desplazadores de aire RIDGID se pueden interconectar en serie utilizando los tomacorrientes de conveniencia. Los modelos aplicables incluyen el AM22871 y el AM22881. Si está utilizando la función de interconexión, utilice solo desplazadores de aire que totalicen menos de la capacidad nominal máxima recomendada de 7,9 A para los tomacorrientes de conveniencia. El cortacircuito de a bordo de 8 A permitirá que hasta dos (2) desplazadores de aire RIDGID adicionales funcionen conectados al primer desplazador de aire al mismo tiempo.

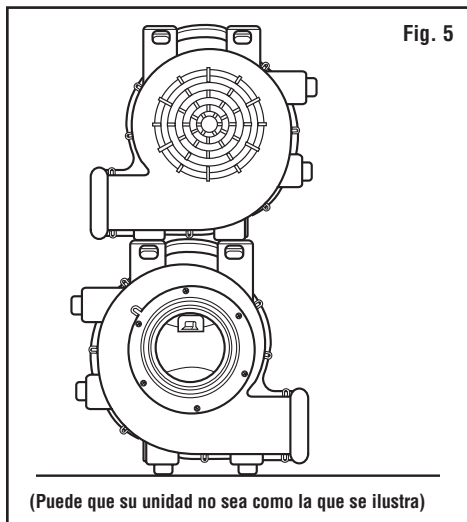
**NOTA:** Los desplazadores de aire modelos AM22871 y AM22881 están equipados con tomacorrientes de conveniencia con un cortacircuito de 8 A a bordo. Si el tomacorriente de conveniencia se sobrecarga, el cortacircuito saltará. Si el cortacircuito salta, ponga el interruptor en la posición de apagado, desenchufe todas las unidades y luego presione el botón de restablecimiento del cortacircuito. Enchufe la unidad de vuelta en la fuente de alimentación. Los tomacorrientes de conveniencia de a bordo ubicados en el desplazador de aire recibirán corriente activamente cuando el desplazador de aire esté enchufado y el cortacircuito esté restablecido correctamente.

# ALMACENAMIENTO

Cuando apile unidades, posicione los cuatro amortiguadores de pie sobre las almohadillas de apilamiento embutidas.

Las unidades "se apilan" convenientemente para su almacenamiento, de la manera que se muestra en la ilustración, con una altura de no más de dos (2) unidades.

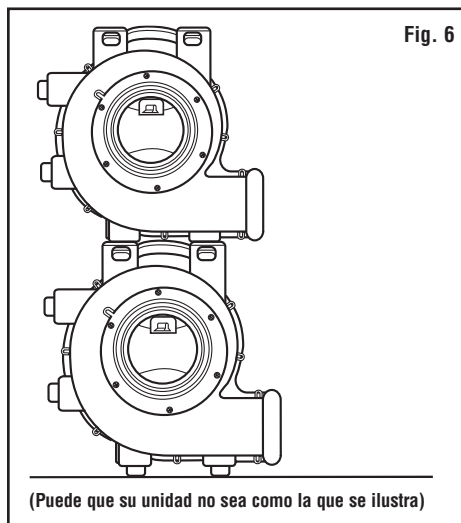
## POSICIÓN PREFERIDA (Fig. 5)



## ⚠ PRECAUCIÓN:

No utilice la aspiradora mientras la manguera aún esté enrollada alrededor del ensamblaje del cabezal del motor en la posición de almacenamiento.

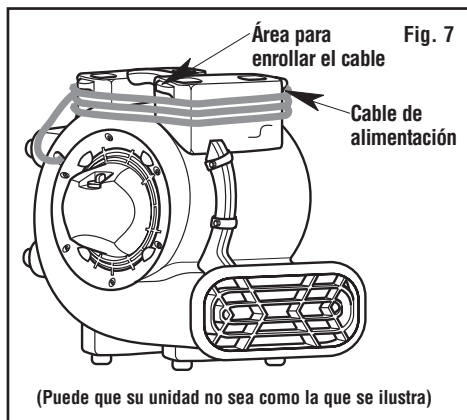
## POSICIÓN ALTERNA (Fig. 6)



# MANTENIMIENTO

## MANTENIMIENTO DEL CABLE (Fig. 7)

Cuando se haya completado el uso, desenchufe el cable de alimentación y enróllelo alrededor del área para enrollar el cable, de la manera que se muestra en la ilustración. Si el cable de alimentación se daña, debe ser reemplazado por el fabricante o su agente de servicio, o por personal calificado, para reducir el riesgo de accidente.



## ALMACENAMIENTO

Antes de almacenar el desplazador de aire, el cable de alimentación se debe enrollar alrededor de la unidad. El desplazador de aire se debería almacenar en un lugar interior.

## LIMPIEZA DEL DESPLAZADOR DE AIRE

Desenchufe el cable de alimentación antes de limpiar la unidad. Si la carcasa de polipropileno se ensucia, se puede limpiar con un paño húmedo. Mantenga seca la unidad y no la salpique o rocíe nunca con agua o soluciones de limpieza. Asegúrese de que las rejillas de entrada, la rejilla de salida y las superficies de la rueda del soplador permanezcan limpias y libres de acumulación de polvo y suciedad.

## RUEDAS (AM25601 Y AM22881)

Si las ruedas de su unidad hacen ruido, se puede poner una gota de aceite en el eje del rodillo para que sean más silenciosas.

# INSTRUCCIONES DE SERVICIO DE MANTENIMIENTO Y RESOLUCIÓN DE PROBLEMAS POR EL USUARIO

**⚠ ADVERTENCIA:** Desenchufe la unidad antes de cualquier desensamblaje o servicio de ajustes y reparaciones.

**⚠ ADVERTENCIA:** Todo el desmontaje y todas las reparaciones deberán ser realizados por personal de un centro de servicio autorizado.

**⚠ ADVERTENCIA:** Después de hacer servicio de ajustes y reparaciones, todos los dispositivos de seguridad (incluidas las rejillas, el impulsor, etc.) se deberán reinstalar o montar de nuevo.

PROBLEMA	CAUSA PROBABLE	SOLUCIÓN
La unidad no funciona.	<ol style="list-style-type: none"> <li>1. No hay alimentación eléctrica a la unidad.</li> <li>2. El interruptor no está en la posición de encendido.</li> <li>3. El interruptor está defectuoso.</li> <li>4. Cable de alimentación o cable del motor defectuoso/roto.</li> </ol>	<ol style="list-style-type: none"> <li>1. Enchufe la unidad. Compruebe el cortacircuito.</li> <li>2. Ponga el interruptor en la posición de ENCENDIDO.</li> <li>3. Reemplace el interruptor.</li> <li>4. Deseche el soplador de aire o contacte a servicio al cliente para que sea reparado por un centro de servicio autorizado.</li> </ol>
La unidad funciona pero el desplazador de aire hace un ruido de raspado intenso.	<ol style="list-style-type: none"> <li>1. La unidad ha sido golpeada severamente, haciendo que la rueda del soplador roce contra la carcasa.</li> <li>2. La unidad ha sido golpeada severamente, haciendo que la carcasa esté dañada.</li> </ol>	<ol style="list-style-type: none"> <li>1. Retire el motor y reemplace la montura o monturas del motor dañadas, según sea necesario.</li> <li>2. Reemplace la rueda del soplador.</li> </ol>
La unidad funciona pero vibra excesivamente.	<ol style="list-style-type: none"> <li>1. Un golpe severo ha doblado el eje del motor, haciendo que la unidad esté desbalanceada.</li> <li>2. Hoja de la rueda del soplador dañada.</li> <li>3. Suciedad acumulada en un lado de la rueda del soplador del desplazador de aire.</li> </ol>	<ol style="list-style-type: none"> <li>1. Retire y reemplace el motor.</li> <li>2. Reemplace la rueda del soplador si es necesario.</li> <li>3. Limpie las hojas de la rueda del soplador.</li> </ol>
La unidad funciona pero la rueda del soplador no gira.	<ol style="list-style-type: none"> <li>1. La rueda del soplador está atorada contra la carcasa.</li> <li>2. El cable del capacitor se ha roto/se ha aflojado, el capacitor ha fallado.</li> <li>3. La carcasa se ha dañado de tal manera que presiona sobre la rueda del soplador.</li> </ol>	<ol style="list-style-type: none"> <li>1. Ajuste y reemplace la rueda del soplador si es necesario.</li> <li>2. Repare/reemplace el motor si es necesario.</li> <li>3. Reemplace la unidad según sea necesario.</li> </ol>
La unidad funciona brevemente y luego se apaga en sobrecarga.	<ol style="list-style-type: none"> <li>1. Los cojinetes del motor están fallando o el motor ha desarrollado una falla eléctrica interna.</li> <li>2. La rejilla de la entrada y/o la rejilla de la salida está obstruida.</li> </ol>	<ol style="list-style-type: none"> <li>1. Reemplace el motor.</li> <li>2. Retire la obstrucción.</li> </ol>
El tomacorriente de conveniencia no funciona.	<ol style="list-style-type: none"> <li>1. No hay alimentación eléctrica a la unidad.</li> <li>2. El cortacircuito del tomacorriente de conveniencia (si la unidad está equipada con uno) no ha sido restablecido.</li> </ol>	<ol style="list-style-type: none"> <li>1. Enchufe la unidad.</li> <li>2. Restablezca el cortacircuito.</li> </ol>
La unidad ha estado expuesta a lluvia, agua u otros líquidos mientras estaba almacenada.	<ol style="list-style-type: none"> <li>1. La unidad no se almacenó en un lugar seco.</li> </ol>	<ol style="list-style-type: none"> <li>1. Seque minuciosamente el desplazador de aire antes de utilizarlo.</li> </ol>
La unidad ha estado sumergida en agua o expuesta a lluvia, agua u otros líquidos mientras se estaba utilizando.	<ol style="list-style-type: none"> <li>1. La unidad estuvo expuesta a lluvia, agua u otros líquidos mientras estaba siendo utilizada.</li> </ol>	<ol style="list-style-type: none"> <li>1. Desenchufe el desplazador de aire y deje de usarlo inmediatamente. Deseche el desplazador de aire o contacte a servicio al cliente para que sea reparado por un centro de servicio autorizado.</li> </ol>

# PIEZAS DE REPUESTO

**Desplazador de aire de tres velocidades**  
**Números de modelo AM22861, AM22871, AM25601 o AM22881**

Las piezas RIDGID están disponibles en Internet conectándose a [store.ridgid.com/air-movers](http://store.ridgid.com/air-movers)

Pida siempre por número de pieza, no por número de clave

# RIDGID®

## Símbolo de calidad, durabilidad y confiabilidad

### Qué está cubierto

Se garantiza que las herramientas RIDGID® están libres de defectos de fabricación y de materiales.

### Cuánto dura la cobertura

Esta garantía dura toda la vida de la herramienta RIDGID®. La cobertura de garantía termina cuando el producto se vuelva inutilizable por motivos que no sean defectos de fabricación o de materiales.

### Cómo puede obtener servicio

Para obtener el beneficio de esta garantía, envíe el producto completo mediante transporte prepago a RIDGE TOOL COMPANY, Elyria, Ohio, o a cualquier CENTRO DE SERVICIO INDEPENDIENTE RIDGID®. Las llaves para tubos y otras herramientas de mano deben devolverse al establecimiento de compra.

### Qué haremos para corregir los problemas

Los productos garantizados se repararán o reemplazarán, a opción de RIDGE TOOLS, y se devolverán sin cargo; o si después de tres intentos de reparar o reemplazar un producto durante el período de garantía dicho producto sigue presentando defectos, usted podrá optar por recibir un reembolso completo por la cantidad del precio de compra.

### Qué no está cubierto

Las averías debidas a uso incorrecto, abuso o desgaste por el uso normal no están cubiertas por esta garantía. RIDGE TOOL no será responsable de ningún daño incidental ni emergente.

### Cómo se relaciona la ley local con la garantía

Algunos estados no permiten la exclusión o limitación de los daños incidentales o emergentes, por lo que es posible que la limitación o exclusión que antecede no tenga aplicación en su caso. Esta garantía le confiere a usted derechos específicos y es posible que también tenga otros derechos, que varían de un estado a otro, una provincia a otra o un país a otro.

### Ninguna otra garantía expresa tiene aplicación

Esta GARANTÍA COMPLETA DE POR VIDA es la garantía única y exclusiva de los productos RIDGID®. Ningún empleado, agente, distribuidor u otra persona está autorizado a alterar esta garantía ni a dar ninguna otra garantía en nombre de RIDGE TOOL COMPANY.

**No. de existencias AM2286, AM2287, AM2560, AM2288**

**No. de modelo AM22861, AM22871, AM25601, AM22881**

El número de modelo y el número de serie se pueden encontrar en la parte trasera de la unidad.

Debe anotar tanto el número de modelo como el de serie en un lugar seguro para uso futuro.

**¿PREGUNTAS O COMENTARIOS? COMUNÍQUESE CON NOSOTROS EN**  
**1-800-4-RIDGID (1-800-474-3443) desde los EE.UU. y Canadá**  
**01-800-701-9811 desde México**  
**[www.RIDGIDvacs.com](http://www.RIDGIDvacs.com)**

Por favor, tenga a mano su número de modelo y número de serie cuando llame.



**EMERSON™**

**[www.RIDGID.com](http://www.RIDGID.com)**

© 2021 Emerson

No. de pieza SP7019

No. de formulario SP7019-2

Impreso en México 05/21

# INSTRUCTIONS IMPORTANTES RELATIVES À LA SÉCURITÉ

## VEUILLEZ LIRE ET CONSERVER CES INSTRUCTIONS

La sécurité est une combinaison de trois facteurs : faire preuve de bon sens, être vigilant et savoir comment l'appareil de ventilation fonctionne.

### Termes de signalisation de questions de sécurité

**⚠ DANGER :** Indique une situation dangereuse qui, si elle n'est pas évitée, causera la mort ou une blessure grave.

**⚠ AVERTISSEMENT :** Indique une situation dangereuse qui, si elle n'est pas évitée, risque de causer la mort ou une blessure grave.

**⚠ MISE EN GARDE :** Indique une situation dangereuse qui, si elle n'est pas évitée, pourrait causer une blessure légère ou modérée, ou des dommages matériels.

Prenez toujours des précautions élémentaires, notamment les précautions suivantes, lorsque vous utilisez votre appareil de ventilation :

**⚠ AVERTISSEMENT :**  
– Pour réduire le risque d'incendie, de choc électrique ou de blessure :

- Lire et comprendre ce mode d'emploi et toutes les étiquettes figurant sur l'appareil de ventilation avant de l'utiliser.
- N'utiliser l'appareil de ventilation que comme cela est décrit dans ce mode d'emploi.
- Ne pas laisser l'appareil branché dans une prise de courant quand il n'est pas utilisé ou pendant la réalisation d'une opération de maintenance. Il faut l'éteindre avant de le débrancher.
- Conservez et utilisez cet appareil uniquement à l'intérieur.
- Ne laissez pas cet appareil en marche sans surveillance.
- Ne branchez que dans des prises protégées par un disjoncteur de fuite à la terre.
- Ne pas utiliser de rallonge avec cet appareil de ventilation.
- Ne pas utiliser cet appareil avec un dispositif de commande de la vitesse à semi-conducteurs.
- Gardez-le au sec, ne l'exposez pas à la pluie, à l'eau ou à d'autres liquides, ne l'immergez pas et ne l'utilisez pas dans de l'eau stagnante.
- Séchez soigneusement l'appareil de ventilation avant de l'utiliser s'il a été exposé à la pluie, à de l'eau ou à d'autres liquides pendant qu'il était entreposé et non utilisé.
- Arrêtez immédiatement d'utiliser l'appareil de ventilation s'il a été immergé dans l'eau ou s'il a été exposé à la pluie, à de l'eau ou à d'autres liquides pendant son fonctionnement. Mettez l'appareil de ventilation au rebut ou contactez le service à la clientèle pour le faire réparer dans un centre de service après-vente agréé.
- Ne pas manipuler la fiche de l'appareil de ventilation avec des mains mouillées.
- Tous les démontages et toutes les réparations doivent être effectués par des techniciens qualifiés.
- N'utilisez pas votre appareil de ventilation s'il ne fonctionne pas comme il le devrait, s'il manque des pièces, s'il est tombé, s'il a été endommagé ou laissé

à l'extérieur, et appelez le service à la clientèle pour qu'il soit examiné et/ou réparé par un centre de service après-vente agréé.

- Les appareils électriques risquent de mettre feu aux vapeurs ou poussières inflammables. Ne pas utiliser à proximité de liquides, gaz ou poussières combustibles.
- Pour réduire le risque de soulever de la poussière et d'inhaler des vapeurs toxiques, ne pas utiliser à proximité de matières toxiques ou dangereuses.
- Le moteur de cet appareil est équipé d'un dispositif de protection thermique à fonctionnement automatique qui arrête l'appareil en cours de fonctionnement en cas de surchauffe et peut redémarrer à tout moment. Il faut débrancher l'appareil avant de le nettoyer ou d'effectuer une opération de maintenance.
- Ne pas débrancher en tirant sur le cordon. Pour débrancher, saisir la fiche – pas le cordon.
- N'utilisez pas un appareil de ventilation ayant une fiche ou un cordon électrique endommagé. Mettez l'appareil de ventilation au rebut ou contactez le service à la clientèle pour qu'il soit examiné et/ou réparé par un centre de service après-vente agréé.
- Ne pas tirer l'appareil et ne pas le porter par son cordon, ne pas utiliser le cordon pour servir de poignée, ne pas fermer une porte sur le cordon et ne pas laisser le cordon tendu passer sur des bords ou des coins tranchants.
- Ne pas acheminer le cordon sous de la moquette. Ne pas recouvrir le cordon par des tapis, des thibauds ou des tissus d'ameublement similaires. Ne pas faire passer le cordon au-dessous de meubles ou d'appareils électroménagers. Arranger le cordon de façon qu'il ne soit pas dans des endroits très fréquentés et qu'il ne risque pas de faire trébucher des gens.
- Respectez l'intensité maximale de la prise de courant de commodité intégrée de 8 A lorsque vous interconnectez plusieurs appareils les uns avec les autres (AM22871 et AM22881).
- Cet appareil de ventilation n'est pas conçu pour une utilisation par des personnes (y compris des enfants) ayant des capacités physiques, sensorielles ou mentales réduites, ou n'ayant pas une expérience et des connaissances suffisantes, sauf si elles ont reçu des instructions ou bénéficié d'une supervision appropriée par une personne responsable de leur sécurité en ce qui concerne l'utilisation de l'appareil en question.
- Ne pas laisser les enfants se servir de l'appareil comme d'un jouet. Il faut surveiller de très près quand il est utilisé par des enfants ou à proximité d'enfants.
- Ne jamais utiliser avec les grilles de protection retirées.
- Ne pas insérer de quelconques objets à l'intérieur des orifices de prise d'air.
- Garder les cheveux, les vêtements flottants, les doigts et toutes les parties du corps à distance des orifices et des pièces mobiles.
- Ne diriger la décharge d'air que vers la zone de travail. Ne pas diriger l'air vers des personnes présentes à proximité.
- Lors du rangement, il ne faut pas empiler plus de deux appareils de ventilation les uns sur les autres.



# INSTRUCTIONS IMPORTANTES RELATIVES À LA SÉCURITÉ

## MISE EN GARDE :

- Porter un masque antipoussières en cas d'utilisation dans un environnement poussiéreux.
- Ne pas déplacer ou transporter l'appareil de ventilation pendant qu'il est en service.
- Ne l'utiliser que sur une surface horizontale et stable pour l'empêcher de tomber et de risquer de causer des blessures ou d'endommager l'appareil lui-même.

Observer les avertissements suivants, qui figurent sur le carter du moteur de votre appareil de ventilation.

## AVERTISSEMENT :

Afin de réduire le risque d'incendie, de choc électrique ou de blessure :

- **Gardez cet appareil au sec, ne l'exposez pas à la pluie, à de l'eau ou à d'autres liquides, ne l'immergez pas et ne l'utilisez pas dans de l'eau stagnante.**
- **Ne brancher que dans des prises protégées par un disjoncteur de fuite à la terre.**
- **Cet appareil de ventilation est pourvu d'un dispositif d'arrêt automatique du moteur ; il peut se remettre en marche sans avertissement. Débranchez cet appareil avant de procéder à de quelconques opérations de maintenance afin de réduire le risque de blessure.**
- **Ne pas utiliser de rallonge avec cet appareil de ventilation.**

## AVERTISSEMENT :

**POUR RÉDUIRE LE RISQUE DE RENVERSEMENT PENDANT L'ENTREPOSAGE, N'EMPILEZ QUE DEUX APPAREILS L'UN SUR L'AUTRE AU MAXIMUM.**

## AVERTISSEMENT :

**Ne dépassez pas 8 ampères dans les prises de courant de commodité intégrées (AM22871 et AM22881).**

## SPÉCIFICATIONS DU MOTEUR ET CARACTÉRISTIQUES ÉLECTRIQUE

Cet appareil de ventilation est pourvu d'un moteur à induction à trois vitesses de 120 volts, 60 Hz, avec un conducteur de mise à la terre. Il est protégé thermiquement et s'éteindra automatiquement en cas de surchauffe. Une fois refroidi, le moteur se remettra automatiquement en marche s'il n'a pas été débranché.

En cas de fonctionnement défectueux ou de panne de l'appareil, il est recommandé de prévoir une mise à la terre qui fournira un chemin de moindre résistance pour le courant électrique afin de réduire le risque de choc électrique.

Cet appareil de ventilation est muni d'un cordon électrique comportant un conducteur de mise à la terre pour les équipements et d'une fiche de mise à la terre, comme on peut le voir sur l'illustration. La fiche doit être branchée dans une prise de courant correspondante qui est installée correctement et mise à la terre conformément aux dispositions de toutes les ordonnances et de tous les codes locaux.

Il ne faut pas modifier la fiche fournie. Si elle n'est pas compatible avec la prise de courant, demander à un électricien agréé d'installer une prise appropriée.

# INTRODUCTION

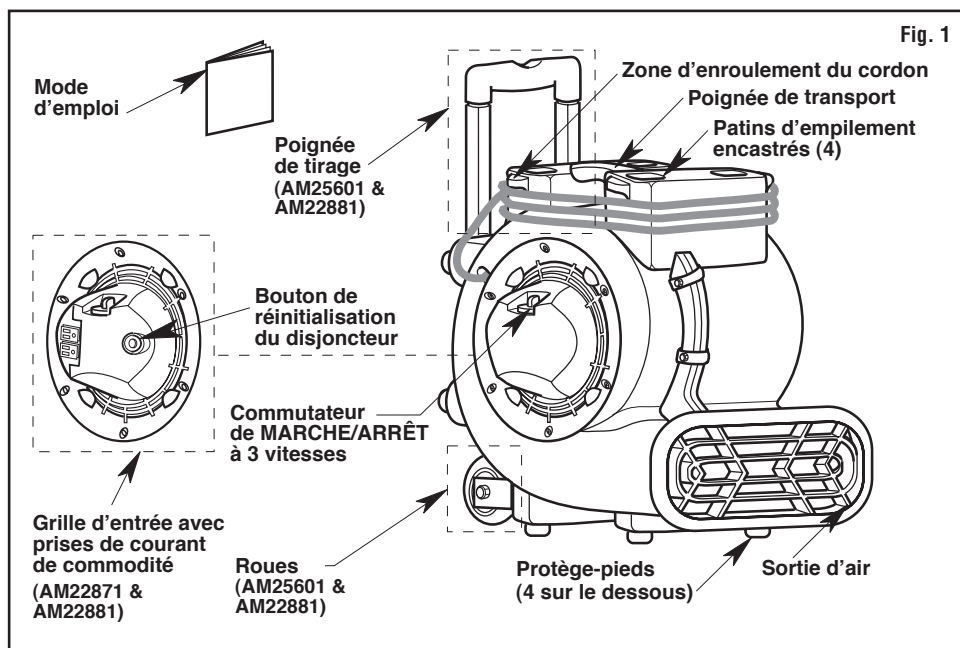
## DÉBALLAGE (Fig. 1)

Déballer soigneusement votre appareil de ventilation et inspectez-le.

Si certaines pièces sont absentes ou endommagées, contactez-nous par téléphone au 1-800-474-3443 ou par courrier électronique au [info@RIDGIDvac.com](mailto:info@RIDGIDvac.com).

Les appareils de ventilation sont conçus pour déplacer de larges volumes d'air. Ces appareils sont utilisés pour la circulation de l'air, le séchage des surfaces, le refroidissement et la ventilation. Familiarisez-vous avec les commandes et les caractéristiques de votre appareil de ventilation avant de l'utiliser.

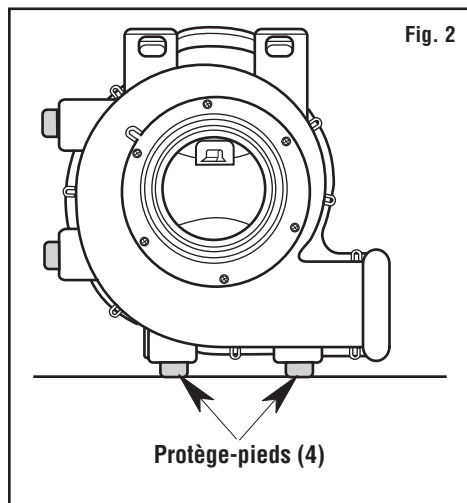
## APPRENDRE À CONNAÎTRE VOTRE APPAREIL DE VENTILATION



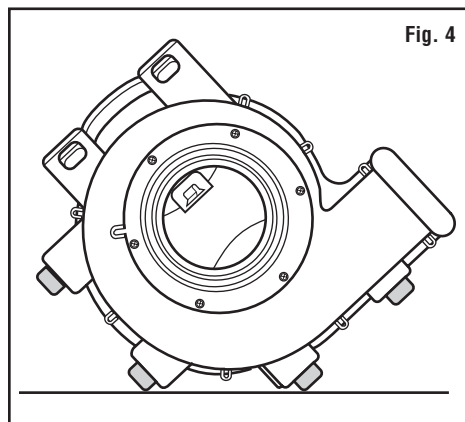
# FONCTIONNEMENT

Placez l'appareil de ventilation dans la position de fonctionnement qui vous convient  
(Votre appareil peut être différent de celui qui est illustré) :

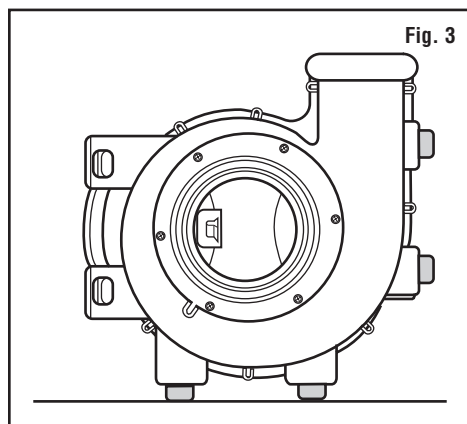
## PLANCHES, MOQUETTES ET TAPIS (Fig. 2)



## 45° POUR PAROIS ET VENTILATION (Fig. 4)



## 90° POUR PLAFONDS ET VENTILATION (Fig. 3)



## INTERCONNEXION DE L'APPAREIL DE VENTILATION

Les appareils de ventilation RIDGID peuvent être interconnectés en série en utilisant les prises de courant de commodité. Les modèles applicables sont les suivants : AM22871 et AM22881. Si vous utilisez la fonction d'interconnexion en série, n'utilisez que des appareils de ventilation dont le total est inférieur à la valeur nominale maximale recommandée pour les prises de courant de commodité de 7,9 ampères. Le disjoncteur intégré de 8 ampères permet de faire fonctionner simultanément jusqu'à deux (2) appareils de ventilation RIDGID supplémentaires sur le premier appareil de ventilation.

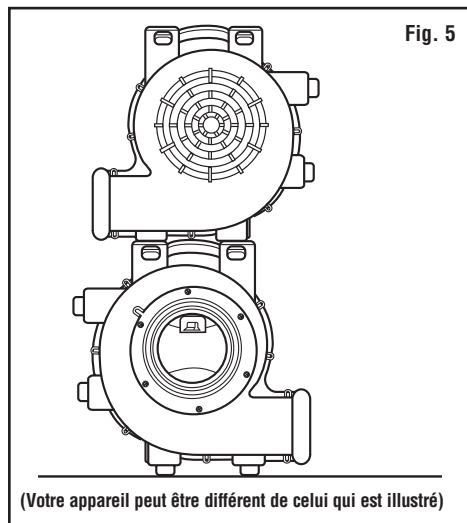
**REMARQUE :** Les modèles d'appareils de ventilation AM22871 et AM22881 sont équipés de prises de courant de commodité avec un disjoncteur intégré de 8 ampères. Si la prise de courant est surchargée, le disjoncteur se déclenche. Si le disjoncteur se déclenche, mettez l'interrupteur en position d'arrêt et débranchez tous les appareils, puis appuyez sur le bouton de réinitialisation du disjoncteur. Branchez à nouveau les appareils dans une source d'alimentation. Les prises de courant de commodité intégrées sur l'appareil de ventilation seront à nouveau sous tension lorsque l'appareil de ventilation sera branché et après que le disjoncteur aura été réinitialisé de façon appropriée.

# RANGEMENT

Lorsque vous empilez des appareils, positionnez les quatre protège-pieds sur les patins d'empilement encastrés.

Les appareils « s'empilent » facilement pour le stockage, comme illustré, avec une hauteur maximale de deux (2) appareils.

## POSITION PRÉFÉRÉE (Fig. 5)

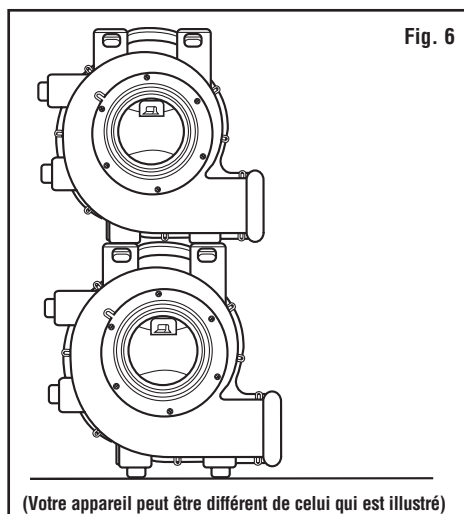


## ⚠ MISE EN GARDE :

Ne faites pas fonctionner les appareils de ventilation lorsqu'ils sont empilés les uns sur les autres.

Ne pas empiler plus de deux de ces appareils.

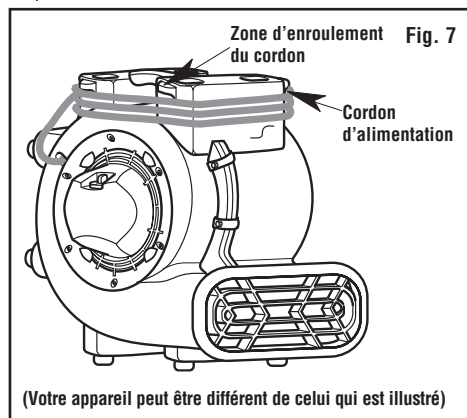
## AUTRE POSITION POSSIBLE (Fig. 6)



# ENTRETIEN

## ENTRETIEN DU CORDON (Fig. 7)

Après avoir fini de vous servir de cet appareil, débranchez le cordon de la prise de courant et enroulez-la sur la zone d'enroulement du cordon comme illustré. Si le cordon d'alimentation est endommagé, il faut le faire remplacer par le fabricant ou son agent de service après-vente, ou par un autre technicien compétent, afin de réduire le risque d'accident.



## RANGEMENT

Avant de ranger votre appareil de ventilation, il faut enrouler le cordon autour de l'appareil. L'appareil de ventilation doit être rangé à l'intérieur.

## NETTOYAGE DE VOTRE APPAREIL DE VENTILATION

Débranchez le cordon d'alimentation avant le nettoyage. Si le boîtier en polypropylène est sali, il peut être essuyé avec un chiffon humide. Gardez-le au sec, n'éclaboussez pas et ne vaporisez pas l'appareil avec de l'eau ou des solutions de nettoyage. Assurez-vous que les grilles d'entrée, la grille d'échappement et les surfaces des roues de la soufflante sont exemptes de poussière et de saletés accumulées.

## ROUES (AM25601 & AM22881)

Si vos roues sont bruyantes, vous pouvez verser une goutte d'huile sur l'essieu pour qu'il les fasse tourner silencieusement.

# ENTRETIEN PAR L'UTILISATEUR/ INSTRUCTIONS POUR LE DÉPANNAGE

**⚠ AVERTISSEMENT :** Débrancher avant de démonter ou de réaliser une quelconque opération d'entretien.

**⚠ AVERTISSEMENT :** Toutes les opérations de démontage et de réparation doivent être effectuées par des techniciens compétents agréés.

**⚠ AVERTISSEMENT :** Après toute opération d'entretien, tout dispositif de sécurité (y compris les grilles, la turbine, etc.) doit être réinstallé ou remonté.

PROBLÈME	CAUSE PROBABLE	SOLUTION
L'appareil ne se met pas en marche.	<ol style="list-style-type: none"> <li>L'appareil n'est pas relié à une source d'électricité.</li> <li>Le commutateur n'est pas en position de marche.</li> <li>Le commutateur est défectueux.</li> <li>Le cordon ou le fil du moteur est défectueux ou cassé.</li> </ol>	<ol style="list-style-type: none"> <li>Branchez l'appareil. Regardez le disjoncteur.</li> <li>Mettez le commutateur en position de marche.</li> <li>Remplacez le commutateur.</li> <li>Mettez l'appareil de ventilation au rebut ou contactez le service à la clientèle en vue de réparation dans un centre de service après-vente agréé.</li> </ol>
L'appareil fonctionne, mais le ventilateur fait un bruit de grattage très fort.	<ol style="list-style-type: none"> <li>L'appareil a subi des secousses entraînant des frottements de la roue de la soufflante contre son boîtier.</li> <li>L'appareil a subi des secousses sévères entraînant la déformation du boîtier.</li> </ol>	<ol style="list-style-type: none"> <li>Retirez le moteur et remplacez le moteur endommagé si nécessaire.</li> <li>Remplacez la roue de la soufflante.</li> </ol>
L'appareil fonctionne, mais avec des vibrations excessives.	<ol style="list-style-type: none"> <li>Une secousse sévère a tordu l'arbre du moteur, et en conséquence l'appareil s'est désaxé.</li> <li>Une pale de la roue de soufflante est endommagée.</li> <li>Des saletés se sont accumulées sur un côté de la roue de soufflante de l'appareil de ventilation.</li> </ol>	<ol style="list-style-type: none"> <li>Retirez le moteur et remplacez-le.</li> <li>Remplacez la roue de soufflante si nécessaire.</li> <li>Nettoyez les pales de la roue de soufflante.</li> </ol>
L'appareil fonctionne, mais la roue de soufflante ne tourne pas.	<ol style="list-style-type: none"> <li>La roue de soufflante est coincée contre le boîtier.</li> <li>Le fil du condensateur s'est cassé ou s'est détaché; défaillance du condensateur.</li> <li>Le boîtier a été endommagé de telle sorte qu'il appuie sur la roue de la soufflante.</li> </ol>	<ol style="list-style-type: none"> <li>Réglez et remplacez la roue de la soufflante si nécessaire.</li> <li>Réparez/remplacez le moteur si nécessaire.</li> <li>Remplacez l'appareil si nécessaire.</li> </ol>
L'appareil se met en marche pendant quelques instants, puis il s'éteint pour cause de surchauffe.	<ol style="list-style-type: none"> <li>Les paliers du moteur sont devenus défectueux ou un défaut d'origine électrique s'est développé dans le moteur.</li> <li>La grille de prise d'air et/ou la grille de sortie d'air est obstruée.</li> </ol>	<ol style="list-style-type: none"> <li>Remplacez le moteur.</li> <li>Éliminez l'obstruction.</li> </ol>
La prise de courant de commodité ne fonctionne pas.	<ol style="list-style-type: none"> <li>L'appareil n'est pas alimenté électriquement.</li> <li>Le disjoncteur du circuit de la prise de courant de commodité (le cas échéant) n'a pas été réinitialisé.</li> </ol>	<ol style="list-style-type: none"> <li>Branchez l'appareil.</li> <li>Réinitialisez le disjoncteur.</li> </ol>
L'appareil a été exposé à la pluie, à de l'eau ou à d'autres liquides pendant son stockage.	<ol style="list-style-type: none"> <li>L'appareil n'a pas été rangé dans un endroit sec.</li> </ol>	<ol style="list-style-type: none"> <li>Séchez soigneusement l'appareil de ventilation avant de l'utiliser.</li> </ol>
L'appareil de ventilation a été immergé dans l'eau ou exposé à la pluie, à de l'eau ou à d'autres liquides pendant son fonctionnement.	<ol style="list-style-type: none"> <li>L'appareil a été exposé à la pluie ou à de l'eau, il a été laissé dans de l'eau ou exposé à la pluie, à de l'eau ou à d'autres liquides pendant son fonctionnement.</li> </ol>	<ol style="list-style-type: none"> <li>Débranchez l'appareil de ventilation et cessez immédiatement de l'utiliser. Mettez l'appareil de ventilation au rebut ou contactez le service à la clientèle en vue de réparation dans un centre de service après-vente agréé.</li> </ol>

# NOTES / NOTAS / REMARQUES

# **NOTES / NOTAS / REMARQUES**

---

# PIÈCES DE RECHANGE

Appareil de ventilation à trois vitesses  
Numéros de modèles AM22861, AM22871, AM25601 ou AM22881

Les pièces RIDGID sont disponibles sur notre site Web à l'adresse suivante :  
[store.ridgid.com/air-movers](http://store.ridgid.com/air-movers)

Pour commander, utiliser toujours le numéro de pièce – pas le numéro de légende

# RIDGID®

## Symbole de qualité, de durabilité et de fiabilité

### Ce qui est couvert par la garantie

Les outils RIDGID® sont garantis sans défauts de matériau ou de façon.

### Durée de la garantie

Cette garantie est valable pendant toute la durée de vie de l'outil RIDGID®. Le produit n'est plus couvert lorsqu'il cesse d'être utilisable pour des causes autres que des défauts de matériau ou de façon.

### Le service après-vente

Pour tirer parti de cette garantie, le produit complet doit être renvoyé en port payé à RIDGE TOOL COMPANY, Elyria, Ohio ou bien à un quelconque CENTRE DE SERVICE APRES-VENTE RIDGID AGRÉÉ. Les clés à tube et autres outils à main devront être renvoyés au point de vente où ils ont été achetés.

### Les mesures de rectification des problèmes

Les produits garantis seront réparés ou remplacés gratuitement selon le choix de RIDGE TOOL et ils seront renvoyés au client en port payé; ou, si le produit est toujours défectueux à la suite de trois tentatives de réparation ou de remplacement au cours de la période de garantie, vous êtes en droit de recevoir un remboursement complet du prix d'achat de votre outil.

### Ce qui n'est pas couvert par la garantie

Les défaillances causées par une utilisation abusive ou non conforme aux instructions, ou par l'usure ordinaire, ne sont pas couvertes par cette garantie. RIDGE TOOL n'est responsable d'aucun dommage secondaire ou indirect.

### Effet des lois locales sur cette garantie

Au Canada, certaines provinces ne permettent peut-être pas l'exclusion ou la limitation des dommages secondaires ou indirects; par conséquent, il est possible que l'exclusion ou la limitation susmentionnée ne s'applique pas à vous. Cette garantie vous confère des droits contractuels spécifiques, et vous disposez peut-être d'autres droits qui peuvent varier d'une province à l'autre.

### Aucune autre garantie expresse ne s'applique

La présente GARANTIE À VIE COMPLÈTE est la garantie unique et exclusive concernant les produits RIDGID®. Aucun salarié, agent, distributeur ou autre n'est autorisé à modifier cette garantie ou à offrir une quelconque autre garantie de la part de RIDGE TOOL COMPANY.

**Stock N° AM2286, AM2287, AM2560, AM2288**

**Modèle N° AM22861, AM22871, AM25601, AM22881**

Les numéros de modèles et de séries sont visibles à l'arrière de l'appareil.

Il est recommandé d'inscrire ces deux numéros en lieu sûr pour référence future.

**EN CAS DE QUESTIONS OU POUR OBTENIR DES INFORMATIONS, VEUILLEZ NOUS CONTACTER AU :**

**1-800-4-RIDGID (1-800-474-3443) depuis les États-Unis et le Canada**

**01-800-701-9811 depuis le Mexique**

**[www.RIDGIDvacs.com](http://www.RIDGIDvacs.com)**

Prière d'avoir votre numéro de modèle ainsi que votre numéro de série à portée de la main avant de nous appeler.



# EMERSON™

[www.RIDGID.com](http://www.RIDGID.com)

© 2021 Emerson

Pièce N° SP7019

Imprimé N° SP7019-2

Imprimé au Mexique 05/21