



OPERATOR'S MANUAL

MANUEL D'UTILISATION

MANUAL DEL OPERADOR

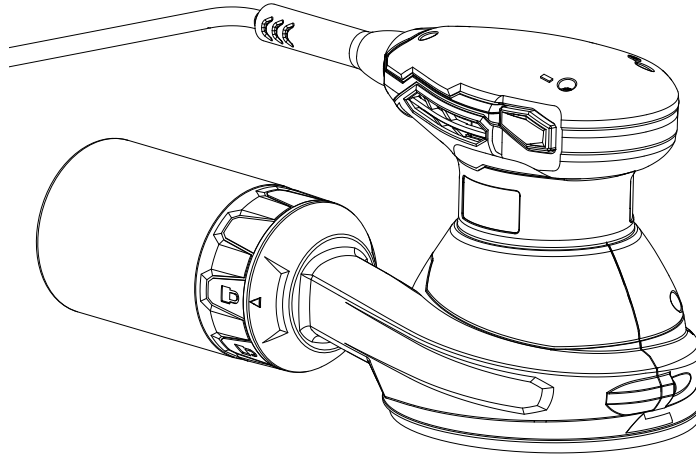
RANDOM ORBIT SANDER

PONCEUSE À ORBITE ALÉATOIRE

LIJADORA ORBITAL ALEATORIA

VARIABLE SPEED
VITESSE VARIABLE
VELOCIDAD VARIABLE

R2601



To register your RIDGID product, please visit:
<http://register.RIDGID.com>

Pour enregistrer votre produit de RIDGID, s'il vous plaît la visite :
<http://register.RIDGID.com>

Para registrar su producto de RIDGID, por favor visita:
<http://register.RIDGID.com>

TABLE OF CONTENTS

- General Power Tool Safety Warnings2-3
- Sander Safety Warnings..... 3
- Symbols..... 4
- Electrical.....5
- Features.....5
- Assembly 6
- Operation.....6-8
- Maintenance.....8-9
- Accessories 9
- Illustrations10-11
- Parts Ordering and ServiceBack page

TABLE DES MATIÈRES

- Règles de sécurité relatives aux outils électriques2-3
- Avertissements de sécurité relatifs au ponceuse..... 3
- Symboles..... 4
- Caractéristiques électriques.....5
- Caractéristiques 5
- Assemblage..... 6
- Utilisation6-8
- Entretien8-9
- Accessoires 9
- Illustrations10-11
- Commande de pièces et dépannagePage arrière

ÍNDICE DE CONTENIDO

- Advertencias de seguridad para herramientas eléctricas2-3
- Advertencias de seguridad del lijadora 3
- Símbolos..... 4
- Aspectos eléctricos 5
- Características..... 5
- Armado 6
- Funcionamiento6-8
- Mantenimiento.....8-9
- Accesorios..... 9
- Ilustraciones..... 10-11
- Pedidos de piezas y servicioPág. posterior

WARNING:

To reduce the risk of injury, the user must read and understand the operator's manual before using this product.

AVERTISSEMENT :

Pour réduire les risques de blessures, l'utilisateur doit lire et veiller à bien comprendre le manuel d'utilisation avant d'employer ce produit.

ADVERTENCIA:

Para reducir el riesgo de lesiones, el usuario debe leer y comprender el manual del operador antes de usar este producto.

SAVE THIS MANUAL FOR FUTURE REFERENCE

CONSERVER CE MANUEL POUR FUTURE RÉFÉRENCE

GUARDE ESTE MANUAL PARA FUTURAS CONSULTAS

GENERAL POWER TOOL SAFETY WARNINGS

WARNING

Read all safety warnings, instructions, illustrations and specifications provided with this power tool. Failure to follow all instructions listed below may result in electric shock, fire and/or serious injury.

Save all warnings and instructions for future reference. The term “power tool” in the warnings refers to your mains-operated (corded) power tool or battery-operated (cordless) power tool.

WORK AREA SAFETY

- **Keep work area clean and well lit.** Cluttered or dark areas invite accidents.
- **Do not operate power tools in explosive atmospheres, such as in the presence of flammable liquids, gases or dust.** Power tools create sparks which may ignite the dust or fumes.
- **Keep children and bystanders away while operating a power tool.** Distractions can cause you to lose control.

ELECTRICAL SAFETY

- **Power tool plugs must match the outlet. Never modify the plug in any way. Do not use any adapter plugs with earthed (grounded) power tools.** Unmodified plugs and matching outlets will reduce risk of electric shock.
- **Avoid body contact with earthed or grounded surfaces, such as pipes, radiators, ranges and refrigerators.** There is an increased risk of electric shock if your body is earthed or grounded.
- **Do not expose power tools to rain or wet conditions.** Water entering a power tool will increase the risk of electric shock.
- **Do not abuse the cord. Never use the cord for carrying, pulling or unplugging the power tool. Keep cord away from heat, oil, sharp edges or moving parts.** Damaged or entangled cords increase the risk of electric shock.
- **When operating a power tool outdoors, use an extension cord suitable for outdoor use.** Use of a cord suitable for outdoor use reduces the risk of electric shock.
- **If operating a power tool in a damp location is unavoidable, use a ground fault circuit interrupter (GFCI) protected supply.** Use of a GFCI reduces the risk of electric shock.

PERSONAL SAFETY

- **Stay alert, watch what you are doing and use common sense when operating a power tool. Do not use a power tool while you are tired or under the influence of drugs, alcohol or medication.** A moment of inattention while operating power tools may result in serious personal injury.

- **Use personal protective equipment. Always wear eye protection.** Protective equipment such as dust mask, non-skid safety shoes, hard hat, or hearing protection used for appropriate conditions will reduce personal injuries.
- **Prevent unintentional starting. Ensure the switch is in the off-position before connecting to power source and/or battery pack, picking up or carrying the tool.** Carrying power tools with your finger on the switch or energizing power tools that have the switch on invites accidents.
- **Remove any adjusting key or wrench before turning the power tool on.** A wrench or a key left attached to a rotating part of the power tool may result in personal injury.
- **Do not overreach. Keep proper footing and balance at all times.** This enables better control of the power tool in unexpected situations.
- **Dress properly. Do not wear loose clothing or jewelry. Keep your hair, clothing and gloves away from moving parts.** Loose clothes, jewelry or long hair can be caught in moving parts.
- **If devices are provided for the connection of dust extraction and collection facilities, ensure these are connected and properly used.** Use of dust collection can reduce dust-related hazards.
- **Do not let familiarity gained from frequent use of tools allow you to become complacent and ignore tool safety principles.** A careless action can cause severe injury within a fraction of a second.
- **Do not wear loose clothing or jewelry.** Contain long hair. Loose clothes, jewelry, or long hair can be drawn into air vents.
- **Do not use on a ladder or unstable support.** Stable footing on a solid surface enables better control of the power tool in unexpected situations.

POWER TOOL USE AND CARE

- **Do not force the power tool. Use the correct power tool for your application.** The correct power tool will do the job better and safer at the rate for which it was designed.
- **Do not use the power tool if the switch does not turn it on and off.** Any power tool that cannot be controlled with the switch is dangerous and must be repaired.
- **Disconnect the plug from the power source and/or remove the battery pack, if detachable, from the power tool before making any adjustments, changing accessories, or storing power tools.** Such preventive safety measures reduce the risk of starting the power tool accidentally.
- **Store idle power tools out of the reach of children and do not allow persons unfamiliar with the power tool**

GENERAL POWER TOOL SAFETY WARNINGS

or these instructions to operate the power tool. Power tools are dangerous in the hands of untrained users.

- **Maintain power tools and accessories. Check for misalignment or binding of moving parts, breakage of parts and any other condition that may affect the power tool's operation. If damaged, have the power tool repaired before use.** Many accidents are caused by poorly maintained power tools.
- **Keep cutting tools sharp and clean.** Properly maintained cutting tools with sharp cutting edges are less likely to bind and are easier to control.
- **Use the power tool, accessories and tool bits etc. in accordance with these instructions, taking into account the working conditions and the work to be**

performed. Use of the power tool for operations different from those intended could result in a hazardous situation.

- **Keep handles and grasping surfaces dry, clean and free from oil and grease.** Slippery handles and grasping surfaces do not allow for safe handling and control of the tool in unexpected situations.

SERVICE

- **Have your power tool serviced by a qualified repair person using only identical replacement parts.** This will ensure that the safety of the power tool is maintained.
- **Never service damaged battery packs.** Service of battery packs should only be performed by the manufacturer or authorized service provider.

SANDER SAFETY WARNINGS




- **Hold the power tool by insulated gripping surfaces, because the sanding surface may contact its own cord.** Cutting a "live" wire may make exposed metal parts of the power tool "live" and could give the operator an electric shock.
- **Know your power tool. Read operator's manual carefully. Learn its applications and limitations, as well as the specific potential hazards related to this tool.** Following this rule will reduce the risk of electric shock, fire, or serious injury.
- **Always wear safety glasses. Everyday eyeglasses have only impact-resistant lenses; they are NOT safety glasses.** Following this rule will reduce the risk of serious personal injury.
- **Protect your lungs. Wear a face or dust mask if the operation is dusty.** Following this rule will reduce the risk of serious personal injury.
- **Protect your hearing. Wear hearing protection during extended periods of operation.** Following this rule will reduce the risk of serious personal injury.
- **Inspect tool cords periodically and, if damaged, have repaired at your nearest authorized service center. Constantly stay aware of cord location.** Following this rule will reduce the risk of electric shock or fire.
- **Check damaged parts. Before further use of the tool, a guard or other part that is damaged should be carefully checked to determine that it will operate**

properly and perform its intended function. Check for alignment of moving parts, binding of moving parts, breakage of parts, mounting, and any other conditions that may affect its operation. A guard or other part that is damaged should be properly repaired or replaced by an authorized service center. Following this rule will reduce the risk of shock, fire, or serious injury.






- **Make sure your extension cord is in good condition. When using an extension cord, be sure to use one heavy enough to carry the current your product will draw. A wire gauge size (A.W.G.) of at least 16 is recommended for an extension cord 50 feet or less in length. A cord exceeding 100 feet is not recommended. If in doubt, use the next heavier gauge. The smaller the gauge number, the heavier the cord. An undersized cord will cause a drop in line voltage resulting in loss of power and overheating.**
- **Inspect for and remove all nails from lumber before using this tool.** Following this rule will reduce the risk of serious personal injury.
- **If the power supply cord is damaged, it must be replaced only by the manufacturer or by an authorized service center to avoid risk.**
- **Save these instructions.** Refer to them frequently and use them to instruct others who may use this product. If you loan someone this product, loan them these instructions also.

SYMBOLS

The following signal words and meanings are intended to explain the levels of risk associated with this product.

SYMBOL	SIGNAL	MEANING
	DANGER:	Indicates a hazardous situation, which, if not avoided, will result in death or serious injury.
	WARNING:	Indicates a hazardous situation, which, if not avoided, could result in death or serious injury.
	CAUTION:	Indicates a hazardous situation, that, if not avoided, may result in minor or moderate injury.
	NOTICE:	(Without Safety Alert Symbol) Indicates information considered important, but not related to a potential injury (e.g. messages relating to property damage).

Some of the following symbols may be used on this product. Please study them and learn their meaning. Proper interpretation of these symbols will allow you to operate the product better and safer.

SYMBOL	NAME	DESIGNATION/EXPLANATION
	Safety Alert	Indicates a potential personal injury hazard.
	Eye Protection	Always wear eye protection with side shields marked to comply with ANSI Z87.1.
	Read Operator's Manual	To reduce the risk of injury, user must read and understand operator's manual before using this product.
	Wet Conditions Alert	Do not expose to rain or use in damp locations.
V	Volts	Voltage
A	Amperes	Current
Hz	Hertz	Frequency (cycles per second)
min	Minutes	Time
~	Alternating Current	Type of current
n_0	No Load Speed	Rotational speed, at no load
	Class II Construction	Double-insulated construction
.../min	Per Minute	Revolutions, strokes, surface speed, orbits etc., per minute

ELECTRICAL

DOUBLE INSULATION

Double insulation is a concept in safety in electric power tools, which eliminates the need for the usual three-wire grounded power cord. All exposed metal parts are isolated from the internal metal motor components with protecting insulation. Double insulated tools do not need to be grounded.

WARNING:

The double insulated system is intended to protect the user from shock resulting from a break in the tool's internal wiring. Observe all normal safety precautions to avoid electrical shock.

NOTE: Servicing of a tool with double insulation requires extreme care and knowledge of the system and should be performed only by a qualified service technician. For service, we suggest you return the tool to your nearest authorized service center for repair. Always use original factory replacement parts when servicing.

ELECTRICAL CONNECTION

This tool has a precision-built electric motor. It should be connected to a **power supply that is 120 volts, AC only (normal household current), 60 Hz.** Do not operate this tool on direct current (DC). A substantial voltage drop will cause a loss of power and the motor will overheat. If your tool does not operate when plugged into an outlet, double-check the power supply.

FEATURES

PRODUCT SPECIFICATIONS

Sanding Disc Diameter..... 5 in.
Orbit Diameter 3/32 in.

EXTENSION CORDS

When using a power tool at a considerable distance from a power source, be sure to use an extension cord that has the capacity to handle the current the tool will draw. An undersized cord will cause a drop in line voltage, resulting in overheating and loss of power. Use the chart to determine the minimum wire size required in an extension cord. Only round jacketed cords listed by Underwriter's Laboratories (UL) should be used.

When working outdoors with a tool, use an extension cord that is designed for outside use. This type of cord is designated with "W-A" or "W" on the cord's jacket.

Before using any extension cord, inspect it for loose or exposed wires and cut or worn insulation.

**Ampere rating (on tool data plate)

Cord Length	Wire Size (A.W.G.)					
	0-2.0	2.1-3.4	3.5-5.0	5.1-7.0	7.1-12.0	12.1-16.0
25'	16	16	16	16	14	14
50'	16	16	16	14	14	12
100'	16	16	14	12	10	—

**Used on 12 gauge - 20 amp circuit.

NOTE: AWG = American Wire Gauge

WARNING:

Keep the extension cord clear of the working area. Position the cord so that it will not get caught on lumber, tools or other obstructions while you are working with a power tool. Failure to do so can result in serious personal injury.

WARNING:

Check extension cords before each use. If damaged replace immediately. Never use tool with a damaged cord since touching the damaged area could cause electrical shock resulting in serious injury.

No Load Speed7,000 - 12,000 r/min. (RPM)
Input 120 V, 60 Hz, AC only, 3 Amps

ASSEMBLY

WARNING:

Do not use this product if it is not completely assembled or if any parts appear to be missing or damaged. Use of a product that is not properly and completely assembled or with damaged or missing parts could result in serious personal injury.

WARNING:

Do not attempt to modify this product or create accessories or attachments not recommended for use with this product. Any such alteration or modification is misuse and could result in a hazardous condition leading to possible serious personal injury.

If any parts are damaged or missing, please call 1-866-539-1710 for assistance.

OPERATION

WARNING:

Do not allow familiarity with this product to make you careless. Remember that a careless fraction of a second is sufficient to inflict serious injury.

WARNING:

Always wear eye protection with side shields marked to comply with ANSI Z87.1. Failure to do so could result in objects being thrown into your eyes resulting in possible serious injury.

WARNING:

Do not use any attachments or accessories not recommended by the manufacturer of this tool. The use of attachments or accessories not recommended can result in serious personal injury.

APPLICATIONS

You may use this product for the purposes listed below:

- Sanding wood or wood product surfaces
- Sanding steel surfaces
- Removing rust from steel surfaces

SANDING DISC SELECTION

Selecting the correct size grit and type sanding disc is an extremely important step in achieving a high quality sanded finish. Aluminum oxide, silicon carbide, and other synthetic abrasives are best for power sanding. Natural abrasives, such as flint and garnet are too soft for economical use in power sanding.

In general, coarse grit will remove the most material and finer grit will produce the best finish in all sanding operations. The condition of the surface to be sanded will determine which grit will do the job. If the surface is rough, start with a coarse grit and sand until the surface is uniform. Medium grit may then be used to remove scratches left by the coarser grit and

finer grit used for finishing of the surface. Always continue sanding with each grit until surface is uniform.

ATTACHING HOOK-AND-LOOP SANDING DISCS

See Figure 1, page 10.

- Unplug the sander.
- Align holes in hook-and-loop type sanding disc with holes in pad, then carefully press fuzzy side of sanding disc against pad as tightly as possible.

NOTE: Hook-and-loop type sanding discs can be reused for the life of the sanding abrasive. It is recommended that you keep the sanding disc backing pad clean to provide for best adhesion. Clean occasionally by brushing lightly with a small brush.

INSTALLING THE OPTIONAL PRESSURE SENSITIVE ADHESIVE (PSA) SANDING PAD AND DISC ATTACHMENT (NOT INCLUDED)

See Figure 2, page 10.

The sander comes assembled with the Micro-Fiber™ hook-and-loop pad. To attach the optional pressure sensitive adhesive (PSA) backing pad, you must first remove the hook-and-loop pad. Inspect sanding disc before installing. Do not use if broken or defective.

- Unplug the sander.
- Remove the four screws that hold the hook-and-loop pad in place.
- Remove the hook-and-loop pad.
- Clean dust particles from the pad brake.
- Apply a thin layer of lightweight grease to the back of the pad.
- Align the holes in the pressure sensitive adhesive (PSA) backing pad with the four screw holes in the sander.
- Replace the four screws securely.
- Carefully peel paper backing from the pressure sensitive adhesive type sanding disc.
- Align holes in sanding disc with holes in backing pad,

OPERATION

then carefully press sticky side of disc against pad as tightly as possible.

NOTE: Holes in sanding disc must line up with holes in the backing pad in order for the dustless feature of the sander to function properly.

NOTE: It is recommended that you clean backing pad occasionally by brushing lightly with a small brush. Dust buildup on backing pad could cause sanding disc not to stick properly.

REMOVE PSA SANDING DISC FROM OPTIONAL PSA BACKING PAD BEFORE STORAGE

Do not store the sander with the PSA sanding disc installed. Heat generated from sanding causes the pressure sensitive adhesive to flow and form a tight bond between the backing pad and sanding disc.

Removing the sanding disc soon after you have finished a sanding operation avoids letting the adhesive set up. If the sanding disc is left on the backing pad for an extended period of time after use, the adhesive will set up and cause the sanding disc to become difficult to remove.

It may also tear when removing. When this situation occurs, it becomes difficult to clean the backing pad for the next sanding disc.

NOTE: If you forget to remove the sanding disc after a sanding operation, sand for a few minutes to soften the adhesive backing before attempting to remove sanding disc.

WARNING:

The sander should never be connected to a power supply when you are assembling parts, making adjustments, cleaning, performing maintenance, or when the tool is not in use. Disconnecting the tool will prevent accidental starting that could cause serious injury.

ATTACHING THE DUST BAG

See Figure 3, page 10.

The dust bag provides a dust collection system for the sander. Sanding dust is drawn up through the holes of the sanding disc and collected in the dust bag during sanding.

To attach the dust bag:

- Unplug the sander.
- Align grooves on dust bag with notches on sander dust exhaust.
- Slide dust bag onto dust exhaust.
- Turn clockwise until bag locks into place.

ATTACHING THE SANDER TO A VACUUM

See Figure 4, page 10.

You can easily attach the dust collection system of the sander to a vacuum.

- Unplug the sander.
 - Remove the dust bag from the sander.
 - Attach vacuum hose to dust exhaust.
NOTE: Vacuum hose fits inside dust exhaust.
 - Connect sander and vacuum to power supply.
-

WARNING:

When sander is not connected to vacuum, always reinstall dust bag assembly back onto sander. Failure to do so could cause sanding dust or foreign objects to be thrown into your face or eyes which could result in possible serious injury.

TURNING THE SANDER ON/OFF

See Figure 5, page 10.

To turn the sander ON/OFF:

- Turn on the sander: Push the ON/OFF switch to the left.
- Turn off the sander: Push the ON/OFF switch to the right.

OPERATING THE SANDER

See Figure 6, page 10.

To operate the sander:

- Secure the workpiece to prevent it from moving under the sander.
-

WARNING:

Unsecured workpieces could be thrown towards the operator causing injury.

WARNING:

Keep your head away from the sander and the sanding area. Your hair could be drawn into the sander causing serious injury.

- Place the sander on the workpiece so that all of the sanding disc surface is in contact with the workpiece.
-

NOTICE:

To avoid motor damage resulting from overheating, do not cover the air vents with your hand.

- Turn on the sander and move it slowly over the workpiece.
- Make successive passes in parallel lines, circles, or crosswise movements.
- Turn off the sander and wait until the sanding disc comes to a complete stop before removing it from the workpiece.

OPERATION

Do not force. The weight of the unit supplies adequate pressure, so let the sanding disc and sander do the work. Applying additional pressure only slows the motor, rapidly wears sanding disc and greatly reduces sander speed. Excessive pressure will overload the motor causing possible damage from motor overheating and can result in inferior work. Any finish or resin on wood may soften from the frictional heat. Do not allow sanding on one spot too long as the sander's rapid action may remove too much material, making the surface uneven.

Extended periods of sanding may tend to overheat the motor. If this occurs, turn sander off and wait until sanding disc comes to a complete stop, then remove it from workpiece. Remove your hand from vent area, remove sanding disc, then with your hand removed from vent area, turn sander on and run it free without a load to cool motor.

EMPTYING THE DUST BAG

See Figures 7 - 8, page 11.

For more efficient operation, empty the dust bag when it is no more than half full. This will permit the air to flow through the bag better. Always empty and clean the dust bag thoroughly upon completion of a sanding operation and before placing the sander in storage.

WARNING:

Collected sanding dust from sanding surface coatings such as polyurethanes, linseed oil, etc. can self-ignite in the sander dust bag or elsewhere and cause fire. To reduce the risk of fire always empty the dust bag frequently (10-15 minutes) while sanding and never store or leave a sander without totally emptying its dust bag. Also follow the recommendations of the coatings manufacturers.

To empty the dust bag:

- Unplug the sander.

WARNING:

Failure to unplug the tool could result in accidental starting causing possible serious injury.

- Remove the dust bag from the sander.
- Shake out the dust.
- Reattach the dust bag to the sander.

For a more thorough cleaning of the dust bag, remove dust bag from spring, and shake out dust. Replace dust bag over spring then install dust bag assembly on sander.

VARIABLE SPEED DIAL

See Figure 9, page 11.

The variable speed feature allows the sander to operate at speeds that can be adjusted by rotating the dial from 1 to 6. The dial is conveniently located on the motor housing, allowing operator control of disc speed. To increase sanding disc speed, turn the dial to a higher setting. Turn dial to a lower setting to decrease sanding disc speed.

MAINTENANCE

WARNING:

Before inspecting, cleaning, or performing any maintenance, make sure the switch is in the off (O) position, wait for all moving parts to stop, and disconnect from the power supply. Failure to follow these instructions can result in death, serious personal injury, or property damage.

WARNING:

Always wear eye protection with side shields marked to comply with ANSI Z87.1. Failure to do so could result in objects being thrown into your eyes, resulting in possible serious injury.

WARNING:

When servicing use only identical replacement parts. Use of any other parts may create a hazard or cause product damage.

MAINTENANCE

GENERAL

Avoid using solvents when cleaning plastic parts. Most plastics are susceptible to damage from various types of commercial solvents and may be damaged by their use. Use clean cloths to remove dirt, carbon dust, etc.

WARNING:

Do not at any time let brake fluids, gasoline, petroleum-based products, penetrating oils, etc. come in contact with plastic parts. They contain chemicals that can damage, weaken, or destroy plastic.

Electric tools used on fiberglass material, wallboard, spackling compounds, or plaster are subject to accelerated wear and possible premature failure because the fiberglass chips and grindings are highly abrasive to bearings, brushes, commutators, etc. Consequently, we do not recommend using this tool for extended work on these types of materials. However, if you do work with any of these materials, it is extremely important to clean the tool using compressed air.

LUBRICATION

All of the bearings in this product are lubricated with a sufficient amount of high grade lubricant for the life of the unit under normal operating conditions. Therefore, no further lubrication is required.

ACCESSORIES

Look for these accessories where you purchased this product:

- Pressure Sensitive Adhesive (PSA) Sanding Pad and Disc Attachment 300527003

WARNING:

Current attachments and accessories available for use with this product are listed above. Do not use any attachments or accessories not recommended by the manufacturer of this product. The use of attachments or accessories not recommended can result in serious personal injury.

POWER SUPPLY CORD REPLACEMENT

If replacement of the power supply cord is necessary, this must be done by an authorized service center in order to avoid a safety hazard.

BRUSH REPLACEMENT

See Figure 10, page 11.

- Unplug the sander.

WARNING:

Failure to unplug the tool could result in accidental starting causing possible serious injury.

-
- Remove screws (4) from top cover of sander.
 - Remove top cover.
 - Remove clamp screws (2).
 - Remove brush tube clamps (2).
 - Disconnect red and black lead terminals from brush tubes.
 - Remove brush assemblies (2).
 - Check for wear. Replace both brush assemblies when either has less than 1/4 in. length of carbon remaining. Do not replace one side without replacing the other.
 - Reassemble using new brush assemblies. Make sure curvature of brush matches curvature of motor and that brush moves freely in brush tube.
 - Reassemble by reversing the steps listed above.
 - Tighten all screws securely. **Do not** over tighten.

NOTE: ILLUSTRATIONS START ON PAGE 10 AFTER FRENCH AND SPANISH LANGUAGE SECTIONS.

This product has a 90-day satisfaction guarantee policy, as well as a three-year limited warranty. For warranty and policy details, please go to www.RIDGID.com or call (toll free) 1-866-539-1710.

RÈGLES DE SÉCURITÉ RELATIVES AUX OUTILS ÉLECTRIQUES

AVERTISSEMENT

Lire les avertissements de sécurité, les instructions et les précisions et consulter les illustrations fournis avec cet outil électrique.

Le fait de ne pas se conformer à l'ensemble des consignes présentées ci-dessous risque d'entraîner des décharges électriques, un incendie et/ou des blessures graves.

Conserver les avertissements et les instructions à des fins de référence ultérieure. Le terme « outil motorisé », utilisé dans tous les avertissements ci-dessous désigne tout outil fonctionnant sur secteur (câblé) ou sur piles (sans fil).

SÉCURITÉ DU LIEU DE TRAVAIL

- **Garder le lieu de travail propre et bien éclairé.** Les endroits encombrés ou sombres sont propices aux accidents.
- **Ne pas utiliser d'outils électriques dans des atmosphères explosives, par exemple en présence de liquides, gaz ou poussières inflammables.** Les outils électriques produisent des étincelles risquant d'enflammer les poussières ou vapeurs.
- **Garder les enfants et badauds à l'écart pendant l'utilisation d'un outil électrique.** Les distractions peuvent causer une perte de contrôle.

SÉCURITÉ ÉLECTRIQUE

- **Les fiches des outils électriques doivent correspondre à la prise secteur utilisée. Ne jamais modifier la fiche, de quelque façon que ce soit. Ne jamais utiliser d'adaptateurs de fiche avec des outils mis à la terre.** Les fiches et prises non modifiées réduisent le risque de choc électrique.
- **Éviter tout contact du corps avec des surfaces mises à la terre, telles que tuyaux, radiateurs, cuisinières et réfrigérateurs.** Le risque de choc électrique est accru lorsque le corps est mis à la terre.
- **Ne pas exposer les outils électriques à l'eau ou l'humidité.** La pénétration d'eau dans ces outils accroît le risque de choc électrique.
- **Ne pas maltraiter le cordon d'alimentation. Ne jamais utiliser le cordon d'alimentation pour transporter l'outil et ne jamais débrancher ce dernier en tirant sur le cordon. Garder le cordon à l'écart de la chaleur, de l'huile, des objets tranchants et des pièces en mouvement.** Un cordon endommagé ou emmêlé accroît le risque de choc électrique.
- **Pour les travaux à l'extérieur, utiliser un cordon spécialement conçu à cet effet.** Utiliser un cordon conçu pour l'usage extérieur pour réduire les risques de choc électrique.
- **S'il est nécessaire d'utiliser l'outil électrique dans un endroit humide, employer un dispositif interrupteur de défaut à la terre (GFCI).** L'utilisation d'un GFCI réduit le risque de décharge électrique.

SÉCURITÉ PERSONNELLE

- **Rester attentif, prêter attention au travail et faire preuve de bon sens lors de l'utilisation de tout outil électrique. Ne pas utiliser cet outil en état de fatigue ou sous l'influence de l'alcool, de drogues ou de médicaments.** Un moment d'inattention pendant l'utilisation d'un outil électrique peut entraîner des blessures graves.
- **Utiliser l'équipement de sécurité. Toujours porter une protection oculaire.** L'équipement de sécurité, tel qu'un masque filtrant, de chaussures de sécurité, d'un casque ou d'une protection auditive, utilisé dans des conditions appropriées réduira le risque de blessures.
- **Éviter les démarrages accidentels. S'assurer que le commutateur est en position d'arrêt avant de brancher l'outil.** Porter un outil avec le doigt sur son commutateur ou brancher un outil dont le commutateur est en position de marche peut causer un accident.
- **Retirer les clés de réglage avant de mettre l'outil en marche.** Une clé laissée sur une pièce rotative de l'outil peut causer des blessures.
- **Ne pas travailler hors de portée. Toujours se tenir bien campé et en équilibre.** Ceci permettra de mieux contrôler l'outil en cas de situation imprévue.
- **Porter une tenue appropriée. Ne porter ni vêtements amples, ni bijoux. Garder les cheveux, les vêtements et les gants à l'écart des pièces en mouvement.** Les vêtements amples, bijoux et cheveux longs peuvent se prendre dans les pièces en mouvement.
- **Si les outils sont équipés de dispositifs de dépoussiérage, s'assurer qu'ils sont connectés et correctement utilisés.** L'usage de ces dispositifs de dépoussiérage peut réduire les dangers présentés par la poussière.
- **Malgré votre expérience acquise par l'utilisation fréquente des outils, soyez toujours vigilant et respectez les principes de sécurité relatifs aux outils.** Il s'agit d'une fraction de seconde pour qu'un geste irréfléchi puisse causer de graves blessures.
- **Ne porter ni vêtements amples, ni bijoux. Attacher ou couvrir les cheveux longs.** Les vêtements amples, bijoux et cheveux longs peuvent se prendre dans les ouïes d'aération.
- **Ne pas utiliser l'outil sur une échelle ou un support instable.** Une bonne tenue et un bon équilibre permettent de mieux contrôler l'outil en cas de situation imprévue.

UTILISATION ET ENTRETIEN DES OUTILS ÉLECTRIQUES

- **Ne pas forcer l'outil. Utiliser l'outil approprié pour l'application.** Un outil approprié exécutera le travail mieux et de façon moins dangereuse s'il est utilisé dans les limites prévues.
- **Ne pas utiliser l'outil si le commutateur ne permet pas de le mettre en marche ou de l'arrêter.** Tout outil qui ne peut pas être contrôlé par son commutateur est dangereux et doit être réparé.

RÈGLES DE SÉCURITÉ RELATIVES AUX OUTILS ÉLECTRIQUES

- **Débrancher l'outil et/ou retirer le bloc-piles avant d'effectuer des réglages, de changer d'accessoire ou de remiser l'outil.** Ces mesures de sécurité préventives réduisent les risques de démarrage accidentel de l'outil.
- **Ranger les outils motorisés hors de la portée des enfants et ne laisser personne n'étant pas familiarisé avec l'outil ou ces instructions utiliser l'outil.** Dans les mains de personnes n'ayant pas reçu des instructions adéquates, les outils sont dangereux.
- **Entretenir les outils motorisés. Vérifier qu'aucune pièce mobile n'est mal alignée ou bloquée, qu'aucune pièce n'est brisée et s'assurer qu'aucun autre problème ne risque d'affecter le bon fonctionnement de l'outil. En cas de dommages faire réparer l'outil avant de l'utiliser de nouveau.** Beaucoup d'accidents sont causés par des outils mal entretenus.
- **Garder les outils bien affûtés et propres.** Des outils correctement entretenus et dont les tranchants sont bien affûtés risquent moins de se bloquer et sont plus faciles à contrôler.
- **Utiliser l'outil, les accessoires et embouts, etc. conformément à ces instructions pour les applications pour lesquelles ils sont conçus, en tenant compte des conditions et du type de travail à exécuter.** L'usage d'un outil motorisé pour des applications pour lesquelles il n'est pas conçu peut être dangereux.
- **Gardez les poignées et les surfaces de prise sèches, propres et exemptes d'huile et de graisse.** Des poignées et des surfaces de prise glissantes empêchent la manipulation et le contrôle sécuritaires de l'outil dans des circonstances imprévues.

DÉPANNAGE




- **Les réparations doivent être confiées à un technicien qualifié, utilisant exclusivement des pièces identiques à celles d'origine.** Ceci assurera le maintien de la sécurité de l'outil.
- **Ne réparez jamais de blocs-piles endommagés.** Seuls le fabricant et les fournisseurs de service autorisés doivent effectuer la réparation ou l'entretien des blocs-piles.

AVERTISSEMENTS DE SÉCURITÉ RELATIFS AU PONCEUSE






- **Tenir l'outil électrique par ses surfaces de préhension isolées étant donné que la superficie de ponçage peut entrer en contact avec le cordon d'alimentation de l'outil.** Le fait de couper un fil sous tension « électrifie » les pièces métalliques exposées de l'outil motorisé et peut électrocuter l'utilisateur.
- **Apprendre à connaître l'outil. Lire attentivement le manuel d'utilisation. Apprendre les applications et les limites de l'outil, ainsi que les risques spécifiques relatifs à son utilisation.** Le respect de cette consigne réduira les risques d'incendie, de choc électrique et de blessures graves.
- **Toujours porter des lunettes de sécurité avec écrans latéraux.** Les lunettes de vue ordinaires sont munies seulement de verres résistants aux impacts. Ce ne sont PAS des lunettes de sécurité. Le respect de cette règle réduira les risques de lésions oculaires.
- **Protection respiratoire. Porter un masque facial ou un masque antipoussière si le travail produit de la poussière.** Le respect de cette consigne réduira les risques de blessures graves.
- **Protection auditive. Porter une protection auditive lors de l'utilisation prolongée.** Le respect de cette règle réduira les risques de blessures graves.
- **Inspecter régulièrement les cordons d'alimentation des outils et s'ils sont endommagés, les confier au centre de réparations agréé le plus proche. Toujours être conscient de l'emplacement du cordon.** Le respect de cette règle réduira les risques de choc électrique et d'incendie.
- **Vérifier l'état des pièces. Avant d'utiliser l'outil de nouveau examiner soigneusement les pièces et dispositifs de protection qui semblent endommagés afin de déterminer s'ils fonctionnent correctement et s'ils remplissent les fonctions prévues. Vérifier l'alignement des pièces mobiles, s'assurer qu'aucune pièce n'est bloquée ou cassée, vérifier la fixation de chaque pièce et s'assurer qu'aucun autre problème ne risque d'affecter le bon fonctionnement de l'outil. Toute protection ou pièce endommagée doit être correctement réparée ou remplacée dans un centre de réparations agréé.** Le respect de cette consigne réduira les risques de choc électrique, d'incendie et de blessures graves.
- **S'assurer que le cordon prolongateur est en bon état. Si un cordon prolongateur est utilisé, s'assurer que sa capacité est suffisante pour supporter le courant de fonctionnement de l'outil. Un calibre de fil (A.W.G) d'au minimum 16 est recommandé pour un cordon prolongateur de 15 m (50 pi) maximum. L'usage d'un cordon de plus de 30 m (100 pi) est déconseillé. En cas de doute, utiliser un cordon du calibre immédiatement supérieur. Moins le numéro de calibre est élevé, plus la capacité du fil est grande.** Un cordon de capacité insuffisante causerait une baisse de la tension de ligne, entraînant une perte de puissance et une surchauffe.
- **Inspecter la pièce et retirer les clous éventuels avant d'utiliser cet outil.** Le respect de cette consigne réduira les risques de blessures graves.
- **Si le cordon d'alimentation est endommagé, il doit être remplacé uniquement par le fabricant ou par un centre de réparation agréé pour éviter tout risque.**
- **Conserver ces instructions.** Les consulter fréquemment et les utiliser pour instruire les autres utilisateurs éventuels. Si cet produit est prêté, il doit être accompagné de ces instructions.

SYMBOLES

Les termes de mise en garde suivants et leur signification ont pour but d'expliquer le degré de risques associé à l'utilisation de ce produit.

SYMBOLE	SIGNAL	SIGNIFICATION
	DANGER:	Indique une situation dangereuse qui, si elle n'est pas évitée, aura pour conséquences des blessures graves ou mortelles.
	AVERTISSEMENT :	Indique une situation dangereuse qui, si elle n'est pas évitée, pourrait entraîner des blessures graves ou mortelles.
	ATTENTION :	Indique une situation dangereuse qui, si elle n'est pas évitée, pourrait entraîner des blessures légères ou de gravité modérée.
	AVIS :	(Sans symbole d'alerte de sécurité) Indique les informations jugées importantes sans toutefois représenter un risque de blessure (ex. : messages concernant les dommages matériels).

Certains des symboles ci-dessous peuvent être utilisés sur produit. Veiller à les étudier et à apprendre leur signification. Une interprétation correcte de ces symboles permettra d'utiliser produit plus efficacement et de réduire les risques.

SYMBOLE	NOM	DÉSIGNATION / EXPLICATION
	Symbole d'alerte de sécurité	Indique un risque de blessure potentiel.
	Protection oculaire	Toujours porter une protection oculaire avec écrans latéraux certifiée conforme à la norme ANSI Z87.1.
	Lire le manuel d'utilisation	Pour réduire les risques de blessures, l'utilisateur doit lire et veiller à bien comprendre le manuel d'utilisation avant d'utiliser ce produit.
	Avertissement concernant l'humidité	Ne pas exposer à la pluie ou l'humidité.
V	Volts	Tension
A	Ampères	Intensité
Hz	Hertz	Fréquence (cycles par seconde)
min	Minutes	Temps
~	Courant alternatif	Type de courant
n_0	Vitesse à vide	Vitesse de rotation à vide
	Outil de la classe II	Construction à double isolation
.../min	Par minute	Tours, coups, vitesse périphérique, orbites, etc., par minute

CARACTÉRISTIQUES ÉLECTRIQUES

DOUBLE ISOLATION

La double isolation est un dispositif de sécurité utilisé sur les outils à moteur électriques, éliminant le besoin de cordon d'alimentation habituel à trois fils avec terre. Toutes les pièces métalliques exposées sont isolées des composants internes du moteur par l'isolation protectrice. Les outils à double isolation ne nécessitent pas de mise à la terre.

AVERTISSEMENT :

Le système à double isolation est conçu pour protéger l'utilisateur contre les chocs électriques causés par une rupture du câblage interne de l'outil. Prendre toutes les précautions de sécurité normales pour éviter les chocs électriques.

NOTE : La réparation d'un outil à double isolation exigeant des précautions extrêmes ainsi que la connaissance du système, elle ne doit être confiée qu'à un réparateur qualifié. En ce qui concerne les réparations, nous recommandons de confier l'outil au centre de réparation le plus proche. Utiliser exclusivement des pièces d'origine pour les réparations.

CONNEXIONS ÉLECTRIQUES

Cet outil est équipé d'un moteur électrique de précision. Il doit être branché uniquement sur **une alimentation 120 V, c.a. (courant résidentiel standard), 60 Hz**. Ne pas utiliser cet outil sur une source de courant continu (c.c.). Une chute de tension importante causerait une perte de puissance et une surchauffe du moteur. Si l'outil ne fonctionne pas une fois branché, vérifier l'alimentation électrique.

CORDONS PROLONGATEURS

Lors de l'utilisation d'un outil électrique à grande distance d'une prise secteur, veiller à utiliser un cordon prolongateur d'une capacité suffisante pour supporter l'appel de courant de l'outil. Un cordon de capacité insuffisante causerait une baisse de la tension de ligne, entraînant une perte de puissance et une surchauffe. Se reporter au tableau ci-dessous pour déterminer le calibre minimum de fil requis pour un cordon donné. Utiliser exclusivement des cordons à gaine cylindrique homologués par Underwriter's Laboratories (UL).

CARACTÉRISTIQUES

FICHE TECHNIQUE

Diamètre du disque abrasif 127 mm (5 po)
Diamètre de l'orbite 2,4 mm (3/32 po)

Pour le travail à l'extérieur, utiliser un cordon prolongateur spécialement conçu à cet effet. Ce type de cordon porte l'inscription « W-A » ou « W » sur sa gaine.

Avant d'utiliser un cordon prolongateur, vérifier que ses fils ne sont ni détachés ni exposés et que son isolation n'est ni coupée, ni usée.

**Intensité nominale (sur la plaquette signalétique de l'outil)

Longueur du cordon	Calibre de fil (A.W.G.)					
	0-2,0	2,1-3,4	3,5-5,0	5,1-7,0	7,1-12,0	12,1-16,0
25'	16	16	16	16	14	14
50'	16	16	16	14	14	12
100'	16	16	14	12	10	—

**Utilisé sur circuit de calibre 12 – 20 A

NOTE : AWG = American Wire Gauge

AVERTISSEMENT :

Maintenir le cordon prolongateur à l'écart de la zone de travail. Lors du travail avec un cordon électrique, placer le cordon de manière à ce qu'il ne risque pas de se prendre dans les pièces de bois, outils et autres obstacles. Ne pas prendre cette précaution peut entraîner des blessures graves.

AVERTISSEMENT :

Vérifier l'état des cordons prolongateurs avant chaque utilisation. Remplacer immédiatement tout cordon endommagé. Ne jamais utiliser un outil dont le cordon d'alimentation est endommagé, car tout contact avec la partie endommagée pourrait causer un choc électrique et des blessures graves.

ASSEMBLAGE

AVERTISSEMENT :

Ne pas utiliser le produit s'il n'est pas complètement assemblé ou si des pièces semblent manquantes ou endommagées. L'utilisation d'un produit dont l'assemblage est incorrect ou incomplet ou comportant des pièces endommagées ou absentes représente un risque de blessures graves.

AVERTISSEMENT :

Ne pas essayer de modifier ce produit ou de créer des accessoires ou des pièces non recommandés pour le produit. De telles altérations ou modifications sont considérées comme un usage abusif et peuvent créer des conditions dangereuses, risquant d'entraîner des blessures graves.

Si des pièces sont manquantes ou endommagées, appeler le 1-866-539-1710.

UTILISATION

AVERTISSEMENT :

Ne pas laisser la familiarité avec ce produit faire oublier la prudence. Ne pas oublier qu'une fraction de seconde d'inattention peut entraîner des blessures graves.

AVERTISSEMENT :

Toujours porter une protection oculaire avec écrans latéraux certifiée conforme à la norme ANSI Z87.1. Si cette précaution n'est pas prise, des objets peuvent être projetés dans les yeux et causer des lésions graves.

AVERTISSEMENT :

Ne pas utiliser d'outils ou accessoires non recommandés pour cet outil. L'utilisation de pièces et accessoires non recommandés peut entraîner des blessures graves.

APPLICATIONS

Ce produit peut être utilisé pour les applications ci-dessous :

- Ponçage du bois ou de dérivés du bois
- Ponçage des surfaces en acier
- Élimination de la rouille sur l'acier

CHOIX DU DISQUE ABRASIF

Le choix de la taille de grain et du type de disque abrasif est essentiel pour l'obtention d'un ponçage de qualité. L'usage d'abrasifs synthétique, tels que ceux à l'oxyde d'aluminium et au carbure de silice est recommandé pour les ponceuses électriques. Les abrasifs naturels, tels que le silex et la grenatite sont trop tendres pour un usage économique avec les ponceuses électriques.

En général, les grains les plus grossiers sont utilisés pour enlever la plus grande partie du matériau, et les grains

les plus fins pour obtenir une surface la plus lisse possible. L'état de la surface à poncer détermine la taille de grain à utiliser. Si la surface est rugueuse, commencer avec un grain grossier pour la rendre uniforme. Un grain moyen peut alors être employé pour supprimer les rayures laissées par le grain grossier, avant d'utiliser le grain le plus fin pour obtenir une surface lisse. Toujours poncer avec chaque grain jusqu'à ce que la surface soit uniforme.

INSTALLATION DES DISQUES ABRASIFS À BOUCLES ET CROCHETS

Voir la figure 1, page 10.

- Débrancher la ponceuse.
- Aligner les trous du disque abrasif à boucles et crochets sur ceux du coussinet, placer le côté crochets du disque contre le coussinet et appuyer pour bien l'assujettir.

NOTE : Les disques à boucles et crochets peuvent être réutilisés tant que l'abrasif n'est pas usé. Il est recommandé de garder le côté crochets du disque propre pour assurer une adhérence maximum. Le nettoyer de temps à autres avec une petite brosse.

INSTALLATION DU COUSSINET ADHÉSIF SENSIBLE À LA PRESSION (PSA) EN OPTION ET DU DISQUE (NON INCLUS)

Voir la figure 2, page 10.

La ponceuse est équipée d'un coussinet à boucles et crochets Micro Fiber™. Il est nécessaire de retirer le coussinet à boucles et crochets pour installer le coussinet adhésif sensible à la pression en option. Inspecter le disque abrasif avant de l'installer. Ne pas l'utiliser s'il est déchiré ou défectueux.

- Débrancher la ponceuse.
- Retirer les quatre vis de fixation du coussinet à boucles et crochets.
- Retirer le coussinet à boucles et crochets.
- Nettoyer le frein du coussinet.
- Enduire le dos du coussinet d'une mince couche de graisse légère.

UTILISATION

- Aligner les trous du coussinet adhésif sensible à la pression (PSA) sur les quatre trous de vis de la ponceuse.
- Remettre les quatre vis en place et les serrer fermement.
- Décoller le protecteur d'adhésif du disque adhésif avec précaution.
- Aligner les trous du disque abrasif sur ceux du coussinet, placer le côté adhésif du disque contre le coussinet et appuyer pour bien l'assujettir.

NOTE : Les trous du disque abrasif doivent être alignés sur ceux du coussinet pour que le système de dépoussiérage de la ponceuse fonctionne correctement.

NOTE : Il est recommandé de nettoyer le coussinet de temps à autres avec une petite brosse. Un disque poussiéreux peut ne pas adhérer correctement.

RETIRER LE DISQUE ABRASIF AUTOCOLLANT DU PLATEAU PORTEDISQUE AUTOCOLLANT FACULTATIF AVANT L'ENTREPOSAGE

Ne pas ranger la ponceuse sans avoir retiré le disque abrasif. La chaleur produite par le ponçage amollit l'adhésif, ce qui assure une bonne adhésion du disque sur le coussinet.

Retirer le disque abrasif de la ponceuse peu de temps après avoir fini de l'utiliser, pour éviter le durcissement de l'adhésif. Si le disque est laissé sur la ponceuse trop longtemps après utilisation, l'adhésif durcit, ce qui rend le retrait du disque difficile.

En outre le disque risque d'être déchiré lorsqu'il est retiré. Dans ce cas, il peut être difficile de nettoyer le coussinet pour installer un nouveau disque.

NOTE : Si le disque n'a pas été retiré après un travail, poncer pendant quelques minutes pour amollir l'adhésif avant d'essayer de retirer le disque.

AVERTISSEMENT :

Ne jamais brancher la ponceuse sur le secteur lors de l'assemblage de pièce, des opérations de réglage, du nettoyage, de l'entretien ou lorsqu'elle n'est pas utilisée. Débrancher l'outil afin d'empêcher tout démarrage accidentel pouvant causer des blessures graves.

INSTALLATION DU SAC À POUSSIÈRE

Voir la figure 3, page 10.

Le sac recueille la poussière produite par la ponceuse. Pendant le ponçage, la poussière est aspirée par les trous du coussinet et envoyée au sac arrière.

Pour vider le sac à poussière :

- Débrancher la ponceuse.
- Aligner les rainures de la retenue du sac sur les encoches de la évacuation de poussière de la ponceuse.
- Glisser le sac à poussière sur la ponceuse.

- Tourner le sac vers la droite jusqu'à ce qu'il se verrouille en place.

RACCORDEMENT DE LA PONCEUSE À UN ASPIRATEUR

Voir la figure 4, page 10.

Le système de dépoussiérage peut facilement être raccordé à un aspirateur.

- Débrancher la ponceuse.
- Retirer le sac à poussière de la ponceuse.
- Brancher le tuyau de l'aspirateur sur l'évacuation de la ponceuse.

NOTE : Le tuyau de l'aspirateur s'emboîte dans le trou d'évacuation de la ponceuse.

- Brancher l'aspirateur et la ponceuse.

AVERTISSEMENT :

Lorsque la ponceuse n'est pas raccordée à un aspirateur, elle doit toujours être munie du sac à poussière. Si cette précaution n'est pas prise, de la sciure ou d'autres objets peuvent être projetées dans les yeux et causer des lésions graves.

MISE EN MARCHÉ / ARRÊT DE LA PONCEUSE

Voir la figure 5, page 10.

Pour mettre en MARCHÉ et ARRÊTER la ponceuse :

- Pour mettre la ponceuse en marche : Pousser le commutateur MARCHÉ / ARRÊT vers la gauche.
- Pour arrêter la ponceuse : Pousser le commutateur MARCHÉ / ARRÊT vers la droite.

UTILISATION DE LA PONCEUSE

Voir la figure 6, page 10.

Utilisation de la ponceuse :

- Assujettir la pièce à poncer pour l'immobiliser sous la ponceuse.

AVERTISSEMENT :

Une pièce non assujettie risque d'être projetée vers l'opérateur et de le blesser.

AVERTISSEMENT :

Garder la tête loin de la ponceuse et de l'endroit poncé. Les cheveux pourraient se prendre dans l'outil, risquant d'entraîner des blessures graves.

- Placer la ponceuse la pièce, en veillant à ce que toute la surface du disque abrasif soit en contact avec la surface à poncer.

UTILISATION

AVIS :

Pour éviter des dommages au moteur causés par une surchauffe, veiller à ne pas laisser la main couvrir les ouïes d'aération.

- Mettre la ponceuse en marche et la déplacer lentement sur la pièce.
- Effectuer des passes successives en ligne parallèles, cercles ou mouvements croisés.
- Arrêter la ponceuse et attendre l'arrêt complet du disque abrasif avant de la retirer de la pièce.

Ne pas forcer l'outil. Le poids de la ponceuse procure une pression adéquate. Il convient donc de laisser le papier de verre et l'outil effectuer le travail. Une pression supplémentaire ne fait que ralentir le moteur, user rapidement le disque abrasif et réduire considérablement la vitesse du ponçage. Une pression excessive surcharge le moteur, qui risque d'être endommagé par une surchauffe et nuit à la qualité des résultats. Toute peinture ou résine se trouvant sur le bois peut fondre sous la chaleur créée par la friction. Ne pas tenir la ponceuse trop longtemps au même endroit car elle agit rapidement et pourrait enlever trop de matériau, laissant une surface inégale.

Un ponçage prolongé peut causer une surchauffe du moteur. Dans ce cas, arrêter la ponceuse et attendre l'arrêt complet du disque abrasif avant de la retirer de la pièce. Retirer la main de l'ouïe d'aération, puis mettre la ponceuse en marche et la laisser fonctionner à vide pour refroidir le moteur.

VIDAGE DU SAC À POUSSIÈRE

Voir les figures 7 et 8, page 11.

Pour un fonctionnement plus efficace, vider le sac à poussière avant qu'il soit à moitié plein. Ceci permettra à l'air de mieux passer au travers du sac. Toujours vider et nettoyer soigneusement le sac après avoir terminé un travail de ponçage et avant de remiser la ponceuse.

ENTRETIEN

AVERTISSEMENT :

Avant d'inspecter, nettoyer ou de procéder à un entretien quel qu'il soit, s'assurer que le commutateur est en position arrêt (O), attendre l'arrêt complet de toutes les pièces et débranchez l'outil de la source d'alimentation. Le non-respect de ces instructions peut entraîner la mort, des blessures graves ou des dégâts matériels.

AVERTISSEMENT :

La poussière produite lors du ponçage de revêtements de surface tels que le polyuréthane, l'huile de lin, etc., peut s'enflammer spontanément à l'intérieur ou à l'extérieur du sac et causer un incendie. Pour réduire le risque d'incendie, vider fréquemment le sac pendant le ponçage (toutes les 10 à 15 minutes) et ne jamais laisser ou remiser la ponceuse sans avoir complètement vidé le sac. En outre, suivre les recommandations du fabricant du revêtement.

Pour vider le sac à poussière :

- Débrancher la ponceuse.

AVERTISSEMENT :

Ne pas débrancher l'outil peut causer un démarrage accidentel, entraînant des blessures graves.

- Retirer le sac à poussière de la ponceuse.
- Secouer le sac pour le débarrasser de la poussière.
- Remettre le sac en place sur la ponceuse.

Pour un nettoyage plus complet du sac à poussière, le retirer de son ressort, et le secouer. Remettre le sac en place sur son ressort et réinstaller l'ensemble sur la ponceuse.

CADRAN DE VITESSE VARIABLE

Voir la figure 9, page 11.

Le cadran de vitesse variable présente six positions (1 à 6). Le cadran est commodément placé sur le boîtier du moteur, ce qui permet à l'opérateur de contrôler la vitesse de rotation. Pour obtenir la vitesse et le couple maximum, tourner le cadran sur une valeur élevée. Pour réduire la vitesse, tourner le cadran sur une valeur plus basse.

AVERTISSEMENT :

Toujours porter une protection oculaire avec écrans latéraux certifiée conforme à la norme ANSI Z87.1. Si cette précaution n'est pas prise, des objets peuvent être projetés dans les yeux et causer des lésions graves.

AVERTISSEMENT :

Utiliser exclusivement des pièces d'origine pour les réparations. L'usage de toute autre pièce pourrait créer une situation dangereuse ou endommager l'outil.

ENTRETIEN

GÉNÉRALITÉS

Éviter d'utiliser des solvants pour le nettoyage des pièces en plastique. La plupart des matières plastiques peuvent être endommagées par divers types de solvants du commerce. Utiliser un chiffon propre pour éliminer la saleté, la poussière de carbure, etc.

AVERTISSEMENT :

Ne jamais laisse de liquides tels que le fluide de freins, l'essence, les produits à base de pétrole, les huiles pénétrantes, etc., entrer en contact avec les pièces en plastique. Ces liquides contiennent des produits chimiques susceptibles d'endommager, d'affaiblir ou de détruire le plastique.

Les outils électriques utilisés sur la fibre de verre, le placoplâtre, les mastics de bouchage ou le plâtre s'usent plus vite et sont susceptibles de défaillance prématurée car les particules et les éclats de fibre de verre sont fortement abrasifs pour les roulements, balais, commutateurs, etc. Il est donc déconseillé d'utiliser cet outil de façon prolongée sur ces types de matériaux. Toutefois, si l'outil a été utilisé sur l'un de ces matériaux, il est extrêmement important de le nettoyer à l'air comprimé.

LUBRIFICATION

Tous les roulements de cet outil sont enduits d'une quantité suffisante de lubrifiant de haute qualité pour la durée de vie de l'outil, dans des conditions d'utilisation normales. Aucune autre lubrification n'est donc nécessaire.

ACCESSOIRES

Pour obtenir ces accessoires, s'adresser au revendeur après duquel vous avez acheté ce produit :

- Coussinet adhésif sensible à la pression (psa) en option et du disque..... 300527003

AVERTISSEMENT :

Les outils et accessoires disponibles actuellement pour ce produit sont listés ci-dessus. Ne pas utiliser d'outils ou accessoires non recommandés pour ce produit. L'utilisation de pièces et accessoires non recommandés peut entraîner des blessures graves.

NOTE : ILLUSTRATIONS COMMENÇANT SUR 10 DE PAGE APRÈS LE SECTION ESPAGNOL.

Ce produit est accompagné d'une politique de satisfaction de 90 jours et d'une garantie limitée de trois (3) ans. Pour obtenir les détails de la garantie et de la politique, visiter le site www.RIDGID.com ou appeler (sans frais) au 1-866-539-1710.

REPLACEMENT DU CORDON D'ALIMENTATION

S'il y a lieu, le cordon d'alimentation doit être remplacé par un un centre de réparation agréé afin d'éviter tout risque.

REPLACEMENT DES BALAIS

Voir la figure 10, page 11.

- Débrancher la ponceuse.

AVERTISSEMENT :

Ne pas débrancher l'outil peut causer un démarrage accidentel, entraînant des blessures graves.

- Retirer les quatre vis du couvercle supérieur de la ponceuse.
- Retirer le couvercle.
- Retirer les vis de collier (2).
- Retirer les colliers (2) du tube de balais.
- Débrancher les cosses rouge et noire des bornes du tube de balais.
- Retirer les balais (2).
- Regarder s'ils sont excessivement usés. Remplacer les deux balais lorsque la longueur du carbone est de 5 mm (1/4 po) ou moins. Ne jamais remplacer un seul balai.
- Installer les nouveaux balais. S'assurer que la courbure des balais correspond à celle du moteur et que les balais tournent librement dans leurs tubes.
- Réinstaller les balais en reprenant la procédure de démontage à l'inverse.
- Serrer toutes les vis fermement. **Ne pas** trop serrer.

ADVERTENCIAS DE SEGURIDAD PARA HERRAMIENTAS ELÉCTRICAS



ADVERTENCIA

Lea todas las advertencias, instrucciones, ilustraciones y especificaciones proporcionadas con esta herramienta eléctrica. No seguir las instrucciones indicadas a continuación puede provocar descargas eléctricas, incendios o lesiones graves.

Guarde todas las advertencias e instrucciones para consultarlas en el futuro. El término “herramienta eléctrica” en las advertencias se refiere a las herramientas eléctricas que funcionan con corriente (con cordón) o las que funcionan con batería (inalámbricas).

ÁREA DE TRABAJO

- **Mantenga limpia y bien iluminada el área de trabajo.** Un área de trabajo mal despejada o mal iluminada propicia accidentes.
- **No utilice herramientas motorizadas en atmósferas explosivas, como las existentes alrededor de líquidos, gases y polvos inflamables.** Las herramientas eléctricas generan chispas que pueden encender el polvo y los vapores inflamables.
- **Mantenga alejados a los niños y circunstantes al maniobrar una herramienta eléctrica.** Toda distracción puede causar la pérdida del control de la herramienta.

SEGURIDAD ELÉCTRICA

- **Las clavijas de las herramientas eléctricas deben corresponder a las tomas de corriente donde se conectan. Nunca modifique la clavija de ninguna forma. No utilice ninguna clavija adaptadora con herramientas eléctricas dotadas de contacto a tierra.** Conectando las clavijas originales en las tomas de corriente donde corresponden se disminuye el riesgo de una descarga eléctrica.
- **Evite el contacto del cuerpo con las superficies de objetos conectados a tierra, como las tuberías, radiadores, estufas y refrigeradores.** Existe un mayor riesgo de descargas eléctricas si el cuerpo está haciendo tierra.
- **No exponga las herramientas eléctricas a la lluvia ni a condiciones de humedad.** La introducción de agua en una herramienta eléctrica aumenta el riesgo de descargas eléctricas.
- **No maltrate el cordón eléctrico. Nunca utilice el cordón para trasladar, desconectar o tirar de la herramienta eléctrica. Mantenga el cordón lejos del calor, aceite, bordes afilados y piezas móviles.** Los cordones eléctricos dañados o enredados aumentan el riesgo de descargas eléctricas.
- **Al utilizar una herramienta eléctrica a la intemperie, use un cordón de extensión apropiado para el exterior.** Usando un cordón adecuado para el exterior se disminuye el riesgo de descargas eléctricas.
- **Si debe operar una herramienta en lugares húmedos, use un suministro protegido por un interruptor de circuito con pérdida a tierra (GFCI).** El uso de un GFCI reduce el riesgo de descargas eléctricas.

SEGURIDAD PERSONAL

- **Permanezca alerta, preste atención a lo que esté haciendo y aplique el sentido común al utilizar herramientas eléctricas. No utilice la herramienta eléctrica si está cansado o se encuentra bajo los efectos de alguna droga, alcohol o medicamento.** Un momento de inatención al utilizar una herramienta eléctrica puede causar lesiones corporales serias.
- **Utilice protección del equipo otros. Siempre póngase protección ocular.** El uso de equipo protector como mascarilla para el polvo, calzado de seguridad, casco y protección para los oídos en las circunstancias donde corresponda disminuye el riesgo de lesiones.
- **Evite que la herramienta se active accidentalmente. Asegúrese de que el interruptor esté en la posición de apagado antes de conectar la herramienta a un suministro de corriente o de colocar un paquete de baterías.** Transportar herramientas eléctricas con el dedo en el interruptor o enchufar herramientas eléctricas que tienen el interruptor encendido puede ocasionar accidentes.
- **Retire toda llave o herramienta de ajuste antes de encender la herramienta eléctrica.** Toda llave o herramienta de ajuste dejada en una pieza giratoria de la herramienta eléctrica puede causar lesiones.
- **No estire el cuerpo para alcanzar mayor distancia. Mantenga una postura firme y buen equilibrio en todo momento.** De esta manera se logra un mejor control de la herramienta eléctrica en situaciones inesperadas.
- **Vístase adecuadamente. No vista ropas holgadas ni joyas. Mantenga el cabello, la ropa y los guantes alejados de las piezas móviles.** Las ropas holgadas y las joyas, así como el cabello largo, pueden engancharse en las piezas móviles.
- **Si se suministran dispositivos para conectar mangueras de extracción y captación de polvo, asegúrese de que éstas estén bien conectadas y se usen correctamente.** El uso de la captación de polvo puede reducir los peligros relacionados con éste.
- **No permita que la familiaridad obtenida por el uso frecuente de las herramientas lo vuelva complaciente e ignore los principios de seguridad de las herramientas.** Una acción descuidada puede causar lesiones graves en una fracción de segundo.
- **No vista ropas holgadas ni joyas. Recójase el cabello si está largo.** Las ropas holgadas y las joyas, así como el cabello largo, pueden resultar atraídas hacia el interior de las aberturas de ventilación.
- **No utilice la unidad al estar en una escalera o en un soporte inestable.** Una postura estable sobre una superficie sólida permite un mejor control de la herramienta eléctrica en situaciones inesperadas.

EMPLEO Y CUIDADO DE LA HERRAMIENTA ELÉCTRICA

- **No fuerce la herramienta eléctrica. Utilice la herramienta eléctrica adecuada para cada trabajo.** La herramienta eléctrica adecuada efectúa mejor y de manera más segura el trabajo, si además se maneja a la velocidad para la que está diseñada.

ADVERTENCIAS DE SEGURIDAD PARA HERRAMIENTAS ELÉCTRICAS

- **No utilice la herramienta si el interruptor no enciende o no apaga.** Cualquier herramienta eléctrica que no pueda controlarse con el interruptor es peligrosa y debe repararse.
- **Desconecte el enchufe de la fuente de alimentación o retire el paquete de baterías, si es desmontable, de la herramienta eléctrica antes de realizar ajustes, cambiar accesorios o almacenar herramientas eléctricas.** Tales medidas preventivas de seguridad reducen el riesgo de poner en marcha accidentalmente la herramienta.
- **Guarde las herramientas eléctricas desocupadas fuera del alcance de los niños y no permita que las utilicen personas no familiarizadas con las mismas o con estas instrucciones.** Las herramientas eléctricas son peligrosas en manos de personas no capacitadas en el uso de las mismas.
- **Mantenimiento de las herramientas eléctricas y accesorios.** Revise para ver si hay desalineación o atoramiento de piezas móviles, ruptura de piezas o toda otra condición que pueda afectar el funcionamiento de la herramienta eléctrica. Si está dañada la herramienta eléctrica, permita que la reparen antes de usarla. Numerosos accidentes son causados por herramientas eléctricas mal cuidadas.
- **Mantenga las herramientas de corte afiladas y limpias.** Las herramientas de corte bien cuidadas y con bordes bien afilados, tienen menos probabilidad de atascarse en la pieza de trabajo y son más fáciles de controlar.
- **Use la herramienta eléctrica, los accesorios, las brocas, etc. según estas instrucciones, teniendo en cuenta las condiciones de trabajo y la tarea que se va a realizar.** Si se utiliza la herramienta eléctrica para operaciones diferentes de las indicadas podría originar una situación peligrosa.
- **Mantenga los mangos y superficies de agarre limpias y libres de aceite y grasa.** Los mangos y superficies de agarre resbalosas no permiten la manipulación y control seguro de la herramienta en situaciones inesperadas.

SERVICIO




- **Permita que un técnico de reparación calificado preste servicio a la herramienta eléctrica, y sólo con piezas de repuesto idénticas.** De esta manera se mantiene la seguridad de la herramienta eléctrica.
- **Nunca repare paquetes de baterías dañados.** La reparación de paquetes de baterías solo puede ser realizada por el fabricante o proveedores de servicio autorizados.

ADVERTENCIAS DE SEGURIDAD DEL LIJADORA






- **Sostenga la herramienta eléctrica de las superficies de sujeción aisladas, debido a que la superficie de lijado puede hacer contacto con su propio cordón.** Si se corta un cable "cargado", es posible que las partes metálicas expuestas de la herramienta eléctrica se "carguen" y, por lo tanto, el operador podría recibir una descarga eléctrica.
- **Familiarícese con su herramienta eléctrica. Lea cuidadosamente el manual del operador. Aprenda sus usos y limitaciones, así como los posibles peligros específicos de esta herramienta.** Con el cumplimiento de esta regla se reduce el riesgo de una descarga eléctrica, incendio o lesión seria.
- **Siempre use gafas de seguridad con protección lateral.** Los anteojos comunes sólo tienen lentes resistentes a los impactos. NO son anteojos de seguridad. Con el cumplimiento de esta regla se reduce el riesgo de posibles lesiones oculares.
- **Protéjase los pulmones. Use una careta o mascarilla contra el polvo si la operación genera mucho polvo.** Con el cumplimiento de esta regla se reduce el riesgo de lesiones serias.
- **Protéjase los oídos. Durante períodos prolongados de utilización del producto, póngase protección para los oídos.** Con el cumplimiento de esta regla se reduce el riesgo de lesiones corporales serias.
- **Inspeccione periódicamente los cordones eléctricos de las herramientas, y si están dañados, permita que los reparen en el centro de servicio autorizado más cercano de la localidad. Tenga presente constantemente la ubicación del cordón eléctrico.** El cumplimiento de esta norma reduce el riesgo de una descarga eléctrica o incendio.
- **Revise para ver si hay piezas dañadas. Antes de seguir utilizando la herramienta, es necesario inspeccionar cuidadosamente toda protección o pieza dañada para determinar si funcionará correctamente y desempeñará la función a la que está destinada. Verifique la alineación de las partes móviles, que no haya atoramiento de las mismas, que no haya piezas rotas, el montaje de las piezas y cualquier otra condición que pudiera afectar su funcionamiento. Toda protección o pieza que esté dañada debe repararse apropiadamente o reemplazarse en un centro de servicio autorizado.** Con el cumplimiento de esta regla se reduce el riesgo de una descarga eléctrica, incendio o lesión grave.
- **Asegúrese de que esté en buen estado el cordón de extensión. Al utilizar un cordón de extensión, utilice uno del suficiente calibre para soportar la corriente que consume el producto. Se recomienda que los conductores sean de calibre 16 (A.W.G.) por lo menos para un cordón de extensión de 15 metros (50 pies) de largo o menos. No se recomienda utilizar un cordón con más de 30 metros (100 pies) de largo. Si tiene dudas, utilice un cordón del calibre más grueso siguiente. Cuanto menor es el número de calibre, mayor es el grueso del cordón. Un cordón de un calibre insuficiente causa una caída en el voltaje de línea, y produce recalentamiento y pérdida de potencia.**
- **Inspeccione la madera y elimine todos los clavos presentes en la misma antes de usar esta herramienta.** Con el cumplimiento de esta regla se reduce el riesgo de lesiones serias.
- **Si está dañado el cordón de corriente, debe ser reemplazado únicamente por el fabricante o en un centro de servicio autorizado para evitar riesgos.**
- **Guarde estas instrucciones.** Consúltelas con frecuencia y empléelas para instruir a otras personas que puedan utilizar esta producto. Si presta a alguien esta producto, facilítele también las instrucciones.

SÍMBOLOS

Las siguientes palabras de señalización y sus significados tienen el objeto de explicar los niveles de riesgo relacionados con este producto.

SÍMBOLO	SEÑAL	SIGNIFICADO
	PELIGRO:	Indica una situación peligrosa, la cual, si no se evita, causará la muerte o lesiones serias.
	ADVERTENCIA:	Indica una situación peligrosa, la cual, si no se evita, podría causar la muerte o lesiones serias.
	PRECAUCIÓN:	Indica una situación peligrosa, la cual, si no se evita, podría causar lesiones menores o leves.
	AVISO:	(Sin el símbolo de alerta de seguridad) Indica la información que se considera importante, pero no relacionada con lesiones potenciales (por ej. en relación a daños a la propiedad).

Es posible que se empleen en este producto algunos de los siguientes símbolos. Le suplicamos estudiarlos y aprender su significado. Una correcta interpretación de estos símbolos le permitirá utilizar mejor y de manera más segura el producto.

SÍMBOLO	NOMBRE	DENOMINACIÓN/EXPLICACIÓN
	Alerta de seguridad	Indica un peligro posible de lesiones personales.
	Protección ocular	Siempre póngase protección ocular con protección lateral con la marca de cumplimiento de la norma ANSI Z87.1.
	Lea el manual del operador	Para reducir el riesgo de lesiones, el usuario debe leer y comprender el manual del operador antes de usar este producto.
	Alerta de condiciones húmedas	No exponga la unidad a la lluvia ni la use en lugares húmedos.
V	Volts	Voltaje
A	Amperes	Corriente
Hz	Hertz	Frecuencia (ciclos por segundo)
min	Minutos	Tiempo
~	Corriente alterna	Tipo de corriente
n_0	Velocidad en vacío	Velocidad de rotación, en vacío
	Fabricación Clase II	Fabricación con doble aislamiento
.../min	Por minuto	Revoluciones, carreras, velocidad superficial, órbitas, etc., por minuto

ASPECTOS ELÉCTRICOS

DOBLE AISLAMIENTO

El doble aislamiento es una característica de seguridad de las herramientas eléctricas, la cual elimina la necesidad de usar el típico cordón eléctrico de tres conductores con conexión a tierra. Todas las partes metálicas expuestas están aisladas de los componentes metálicos internos del motor por medio de aislamiento de protección. No es necesario conectar a tierra las herramientas con doble aislamiento.

ADVERTENCIA:

El sistema de doble aislamiento está destinado para proteger al usuario contra las descargas eléctricas resultantes de la ruptura del cableado interno de la herramienta. Observe todas las precauciones de seguridad para evitar descargas eléctricas.

NOTA: El mantenimiento de una herramienta con doble aislamiento requiere sumo cuidado y conocimiento del sistema, y únicamente deben realizarlo técnicos de servicio calificados. Para el servicio de la herramienta, le sugerimos llevarla al centro de servicio autorizado más cercano para toda reparación. Siempre utilice piezas de repuesto de la fábrica original al dar servicio a la unidad.

CONEXIÓN ELÉCTRICA

Esta herramienta dispone de un motor eléctrico fabricado con precisión. Debe conectarse únicamente a **un suministro de corriente de 120 Volts, de corriente alterna solamente (corriente normal para uso doméstico), 60 Hz**. No utilice esta herramienta con corriente continua (c.c.). Una caída considerable de voltaje causa una pérdida de potencia y el recalentamiento del motor. Si la herramienta no funciona al conectarla en una toma de corriente, vuelva a verificar el suministro de voltaje.

CORDONES DE EXTENSIÓN

Al utilizar una herramienta eléctrica a una distancia considerable de la fuente de voltaje, asegúrese de utilizar un cordón de extensión con la suficiente capacidad para soportar la corriente de consumo de la herramienta. Un

cordón de un calibre insuficiente causa una caída en el voltaje de línea, la cual a su vez produce recalentamiento y pérdida de potencia. Básese en la tabla suministrada para determinar el grueso mínimo requerido del cordón de extensión. Solamente deben utilizarse cordones con forro redondo registrados en Underwriter's Laboratories (UL).

Al trabajar a la intemperie con una herramienta, utilice un cordón de extensión fabricado para uso en el exterior. Este tipo de cordón lleva las letras "W-A" o "W" en el forro.

Antes de utilizar un cordón de extensión, inspecciónelo para ver si tiene conductores flojos o expuestos y aislamiento cortado o gastado.

**Amperaje (aparece en la placa frontal)

Longitud del cordón	Calibre conductores (A.W.G.)					
	0-2,0	2,1-3,4	3,5-5,0	5,1-7,0	7,1-12,0	12,1-16,0
25'	16	16	16	16	14	14
50'	16	16	16	14	14	12
100'	16	16	14	12	10	—

**Se usa en los circuitos de calibre 12, 20 amperes.

NOTA: AWG = Calibre conductores norma americana

ADVERTENCIA:

Mantenga el cordón de extensión fuera del área de trabajo. Al trabajar con una herramienta eléctrica, coloque el cordón de tal manera que no pueda enredarse en la madera, herramientas ni en otras obstrucciones. La inobservancia de esta advertencia puede causar lesiones serias.

ADVERTENCIA:

Inspeccione los cordones de extensión cada vez antes de usarlos. Si están dañados reemplácelos de inmediato. Nunca utilice la herramienta con un cordón dañado, ya que si toca la parte dañada puede producirse una descarga eléctrica, y las consecuentes lesiones serias.

CARACTERÍSTICAS

ESPECIFICACIONES DEL PRODUCTO

Diámetro del disco de lija 127 mm (5 pulg.)

Diámetro de la órbita 2,4 mm (3/32 pulg.)

Velocidad en vacío 7 000 - 12 000 r/min (RPM)

Corriente de entrada 120 V, sólo corr. alt., 60 Hz, 3 A

ARMADO

ADVERTENCIA:

No use este producto si no está totalmente ensamblado o si alguna pieza falta o está dañada. El uso de un producto que no está adecuadamente y completamente ensamblado o posee partes dañadas o faltantes puede resultar en lesiones personales graves.

ADVERTENCIA:

No intente modificar este producto ni hacer accesorios o aditamentos no recomendados para la misma. Cualquier alteración o modificación constituye maltrato el cual puede causar una condición peligrosa, y como consecuencia posibles lesiones corporales serias.

Si hay piezas dañadas o faltantes, le suplicamos llamar al 1-866-539-1710, donde le brindaremos asistencia.

FUNCIONAMIENTO

ADVERTENCIA:

No permita que su familiarización con este producto le vuelva descuidado. Tenga presente que un descuido de un instante es suficiente para infligir una lesión grave.

ADVERTENCIA:

Siempre póngase protección ocular con protección lateral con la marca de cumplimiento de la norma ANSI Z87.1. Si no cumple esta advertencia, los objetos que salen despedidos pueden producirle lesiones serias en los ojos.

ADVERTENCIA:

No utilice ningún aditamento o accesorio no recomendado por el fabricante de esta herramienta. El empleo de aditamentos o accesorios no recomendados podría causar lesiones serias.

APLICACIONES

Este producto puede emplearse para los fines enumerados abajo:

- Lijado de superficies de productos de madera o de metal
- Lijado de superficies de acero
- Eliminación de herrumbre de superficies de acero

SELECCIÓN DE DISCOS DE LIJA

La selección del disco de lija del tipo adecuado y del grano de tamaño correcto es un paso importante en el logro de un lijado con acabado de alta calidad. Los abrasivos de óxido de aluminio, de carburo de silicón y otros productos sintéticos son los mejores para el lijado con herramientas eléctricas. Los abrasivos naturales, como el polvo de pedernal y de granate, son demasiado suaves para utilizarse de manera económica en el lijado motorizado.

En general, el grano grueso elimina más material, y el grano fino produce mejor acabado en todas las operaciones de lijado. El estado de la superficie por lijar determina cuál grano es el más adecuado. Si la superficie está áspera, comience con un grano grueso y líjela hasta que quede uniforme. El grano mediano puede utilizarse para eliminar rasguños producidos por el grano grueso, y el grano fino puede utilizarse para acabar la superficie. Siempre continúe lijando con cada grano hasta que esté uniforme la superficie.

COLOCACIÓN DE LOS DISCOS DE LIJA DE GANCHO Y LAZADA

Vea la figura 1, página 10.

- Desconecte la lijadora.
- Alinee los orificios del disco de lija de gancho y lazada con los orificios de la almohadilla, y después oprima cuidadosamente el lado rizado del disco de lija contra la almohadilla tan ajustadamente como sea posible.

NOTA: Los discos de lija del tipo de gancho y lazada pueden reutilizarse durante la vida de servicio del material abrasivo de lijado del disco. Se recomienda mantener limpia la almohadilla de respaldo del disco de lija para poder lograr una adhesión óptima. Límpiela ocasionalmente cepillándola ligeramente con un cepillo pequeño.

INSTALACIÓN DE LA ALMOHADILLA OPCIONAL Y DEL ACCESORIO DE DISCO DE LIJA AUTOADHESIVOS (PSA) (NO INCLUIDO)

Vea la figura 2, página 10.

La lijadora viene con la almohadilla de gancho y lazada Micro-Fiber™ puesta. Para fijar la almohadilla autoadhesiva (PSA) opcional, es necesario desprender primero la almohadilla de gancho y lazada. Inspeccione el disco de lija antes de fijarlo. No lo utilice si está roto o defectuoso.

- Desconecte la lijadora.
- Retire los cuatro tornillos encargados de fijar la almohadilla de gancho y lazada en su lugar.
- Retire la almohadilla de gancho y lazada.
- Limpie las partículas de polvo del freno de la almohadilla.

FUNCIONAMIENTO

- Aplique una capa delgada de grasa de baja viscosidad en la parte posterior de la almohadilla.
- Alinee los orificios de la almohadilla autoadhesiva (PSA) con los cuatro orificios para tornillo de la lijadora.
- Fije firmemente los cuatro tornillos.
- Desprenda con cuidado el papel protector del disco de lija autoadhesivo.
- Alinee los orificios del disco de lija con los orificios de la almohadilla de respaldo, y después oprima cuidadosamente el lado adhesivo del disco de lija contra la almohadilla tan ajustadamente como sea posible.

NOTA: Los orificios del disco de lija deben quedar alineados con la almohadilla de respaldo con el fin de que sea eficaz la característica de eliminación de polvo de la lijadora.

NOTA: Se recomienda limpiar ocasionalmente la almohadilla de respaldo cepillándola ligeramente con un cepillo pequeño. La acumulación de polvo podría impedir al disco de lija adherirse adecuadamente.

RETIRE EL DISCO DE LIJA PSA DE LA ALMOHADILLA DE RESPALDO PSA OPCIONAL ANTES DEL ALMACENAMIENTO

No guarde la lijadora con el disco de lija puesto. El calor generado por el lijado hace fluir el adhesivo y éste forma una unión firme entre la almohadilla de respaldo y el disco de lija. Retirando el disco de lija con prontitud después de terminarse las operaciones de lijado se evita la solidificación del adhesivo. Si se deja el disco de lija en la almohadilla de respaldo durante un período de tiempo prolongado después de usarse, se solidifica el adhesivo y se dificulta el desprendimiento del disco.

Puede llegar a romperse durante el desprendimiento. Cuando ocurre esta situación, se dificulta limpiar la almohadilla de respaldo para el siguiente disco de lija.

NOTA: Si olvida desprender el disco de lija después de una operación de lijado, lije durante unos pocos minutos para suavizar el adhesivo antes de intentar desprender el disco de lija.

ADVERTENCIA:

Nunca debe conectarse la lijadora a una fuente de voltaje al montarle piezas, hacerle ajustes, limpiarla, realizarle trabajos de mantenimiento o tenerla desocupada. Desconectándose la herramienta se evita un arranque accidental de la misma que pueda causar lesiones serias.

CONEXIÓN DEL SACO CAPTAPOLVO

Vea la figura 3, página 10.

El saco captapolvo sirve de sistema de captación de polvo de la lijadora. El polvo de lijado se extrae a través de los orificios del disco de lija y se recolecta en el saco captapolvo durante el lijado.

Para montar el saco captapolvo:

- Desconecte la lijadora.
- Alinee las ranuras del saco captapolvo con las ranuras del abertura de salida de polvo de la lijadora.
- Vuelva a instalar el saco captapolvo en el abertura de salida de polvo.
- Gire a la derecha el saco hasta no dejarlo asegurado en su lugar.

CONEXIÓN DE LA LIJADORA A UNA ASPIRADORA

Vea la figura 4, página 10.

Es fácil conectar el sistema de captación de polvo de la lijadora a una aspiradora.

- Desconecte la lijadora.
 - Retire de la lijadora el saco captapolvo.
 - Conecte la manguera de vacío al escape del soplador.
NOTA: La manguera de vacío entra en el escape del soplador.
 - Conecte la lijadora y la aspiradora al suministro de corriente.
-

ADVERTENCIA:

Cuando la lijadora no esté conectada a una aspiradora, siempre vuelva a instalar el conjunto del saco captapolvo en la lijadora. La inobservancia de esta advertencia puede causar el lanzamiento de polvo, virutas o partículas sueltas a los ojos, con las consiguientes posibles lesiones serias.

ENCENDIDO Y APAGADO DE LA LIJADORA

Vea la figura 5, página 10.

Para encender y apagar la lijadora siga estos pasos:

- Encendido de la lijadora: Empuje el interruptor de encendido hacia la izquierda.
- Apagado de la lijadora: Empuje el interruptor de encendido hacia la derecha.

UTILIZACIÓN DE LA LIJADORA

Vea la figura 6, página 10.

Para utilizar la lijadora:

- Asegure la pieza de trabajo para evitar que se mueva bajo la lijadora.
-

ADVERTENCIA:

Si no se asegura la pieza de trabajo puede salir lanzada hacia el operador y causarle lesiones.

ADVERTENCIA:

Mantenga la cabeza alejada de la lijadora y del área de lijado. El cabello puede resultar atraído hacia la lijadora, causando lesiones serias.

FUNCIONAMIENTO

- Coloque la lijadora en la pieza de trabajo de manera que toda la superficie del disco de lija quede en contacto con la pieza de trabajo.

AVISO:

Para evitar dañar el motor por recalentamiento, no cubra con la mano las aberturas de ventilación.

-
- Encienda la lijadora y muévala lentamente por la pieza de trabajo.
 - Realice pasadas sucesivas en líneas paralelas, o con movimientos entrecruzados.
 - Apague la lijadora y espere a que el disco de lija se detenga completamente antes de retirarlo de la pieza de trabajo.

No fuerce la herramienta. El peso de la unidad proporciona una presión suficiente, por lo tanto deje el trabajo a la lijadora y al disco de lija. Si se aplica presión adicional se aminora la marcha del motor, se gasta con mayor rapidez el disco de lija y se reduce notablemente la velocidad de la lijadora. Una presión excesiva recarga el motor y puede dañarlo debido al recalentamiento del mismo, y puede incluso producirse un trabajo de calidad inferior. Todo acabado o resina presente en la madera puede suavizarse debido al calentamiento generado por la fricción. No lije demasiado tiempo en un mismo lugar, ya que la rápida acción de la lijadora puede desprender demasiado material, dejando desigual la superficie.

El lijado durante períodos prolongados de tiempo puede recalentar el motor. Si tal cosa ocurre, apague la lijadora, espere a que el disco de lija se detenga completamente, y después retírelo de la pieza de trabajo. Retire la mano del área de las aberturas de aire, retire el disco de lija, y después con la mano retirada del área de las aberturas de aire encienda la lijadora y déjela funcionar en vacío para permitir el enfriamiento del motor.

VACIADO DEL SACO CAPTAPOLVO

Vea las figuras 7 y 8, página 11.

Para lograr un desempeño más eficiente de la unidad, vacíe el saco captapolvo antes de que se llene a la mitad. De esta manera se permite que el aire fluya mejor a través del saco. Siempre vacíe y limpie a fondo el saco captapolvo al completar una operación de lijado y antes de guardar la lijadora.

MANTENIMIENTO

ADVERTENCIA:

Antes de inspeccionar, limpiar o de efectuar cualquier tarea de mantenimiento, asegúrese de que el interruptor de encendido esté en la posición de apagado (O), espere a que se detengan todas las piezas en movimiento y desconecte el suministro de corriente. Si no se observan estas instrucciones, podrían producirse la muerte, lesiones graves o daño materiales.

ADVERTENCIA:

El polvo recolectado durante el lijado de capas de acabado como poliuretano, aceite de linaza, etc., puede inflamarse por sí solo en el saco captapolvo o en otra parte, y puede causar un incendio. Para reducir el riesgo de incendio siempre vacíe con frecuencia el saco captapolvo (cada 10 ó 15 minutos) mientras está lijando, y nunca guarde ni deje la lijadora sin haber vaciado completamente el saco. También siga las recomendaciones de los fabricantes de acabados.

Para vaciar el saco captapolvo:

- Desconecte la lijadora.

ADVERTENCIA:

Si no se desconecta la herramienta puede ponerse en marcha accidentalmente, con el consiguiente riesgo de lesiones serias.

-
- Retire de la lijadora el saco captapolvo.
 - Sacuda el saco para sacar el polvo.
 - Vuelva a conectar el saco captapolvo en la lijadora.

Para darle una limpieza más completa al saco captapolvo, retírelo de la resorte y sacúdalo para eliminar el polvo. Vuelva a colocar el saco captapolvo en la resorte y después instale el conjunto completo del saco en la lijadora.

DIAL DE VELOCIDAD VARIABLE

Vea la figura 9, página 11.

La dial de velocidad variable permite a la lijadora funcionar a velocidades ajustables mediante el giro del dial de velocidad variable, de la letra "1" a la "6". El dial está convenientemente situado en el alojamiento del motor, lo cual permite al operador controlar la velocidad del disco. Para aumentar la velocidad del disco de lija, gire el dial de velocidad variable a una marca superior. Para disminuir la velocidad del disco de lija gire el dial a una marca inferior.

ADVERTENCIA:

Siempre póngase protección ocular con protección lateral con la marca de cumplimiento de la norma ANSI Z87.1. La inobservancia de esta advertencia puede permitir que los objetos lanzados hacia los ojos puedan provocarles lesiones graves.

MANTENIMIENTO

ADVERTENCIA:

Al dar servicio a la unidad, sólo utilice piezas de repuesto idénticas. El empleo de piezas diferentes puede presentar un peligro o causar daños al producto.

INFORMACIÓN GENERAL

Evite el empleo de solventes al limpiar piezas de plástico. La mayoría de los plásticos son susceptibles a diferentes tipos de solventes comerciales y pueden resultar dañados. Utilice paños limpios para eliminar la suciedad, el polvo de los carbones, el aceite, la grasa, etc.

ADVERTENCIA:

No permita en ningún momento que fluidos para frenos, gasolina, productos a base de petróleo, aceites penetrantes, etc., lleguen a tocar las piezas de plástico. Dichos productos contienen compuestos químicos que pueden dañar, debilitar o destruir el plástico.

Las herramientas eléctricas que se utilizan en materiales de fibra de vidrio, paneles de yeso para paredes, compuestos de resanar o yeso, están sujetas a desgaste acelerado y posible fallo prematuro porque las partículas y limaduras de fibra de vidrio son altamente abrasivas para los cojinetes, escobillas, conmutadores, etc. Por consiguiente, no recomendamos el uso de esta herramienta durante períodos prolongados de trabajo en estos tipos de materiales. Sin embargo, si usted trabaja con cualquiera de estos materiales, es sumamente importante limpiar la herramienta con aire comprimido.

LUBRICACIÓN

Todos los cojinetes de esta herramienta están lubricados con suficiente cantidad de aceite de alta calidad para toda la vida útil de la unidad en condiciones normales de funcionamiento. Por lo tanto, no se necesita lubricación adicional.

ACCESORIOS

Busque estos accesorios donde adquirió este producto:

- Almohadilla y del accesorio de disco de lija autoadhesivos (PSA)300527003

ADVERTENCIA:

Arriba se señalan los aditamentos y accesorios disponibles para usarse con este producto. No utilice ningún aditamento o accesorio no recomendado por el fabricante de este producto. El empleo de aditamentos o accesorios no recomendados podría causar lesiones graves.

REEMPLAZO DEL CORDÓN DE CORRIENTE

Un centro de servicio autorizado deben cambiar el cordón de corriente, en caso de que sea necesario, para evitar peligros.

REEMPLAZO DE LAS ESCOBILLAS

Veá la figura 10, página 11.

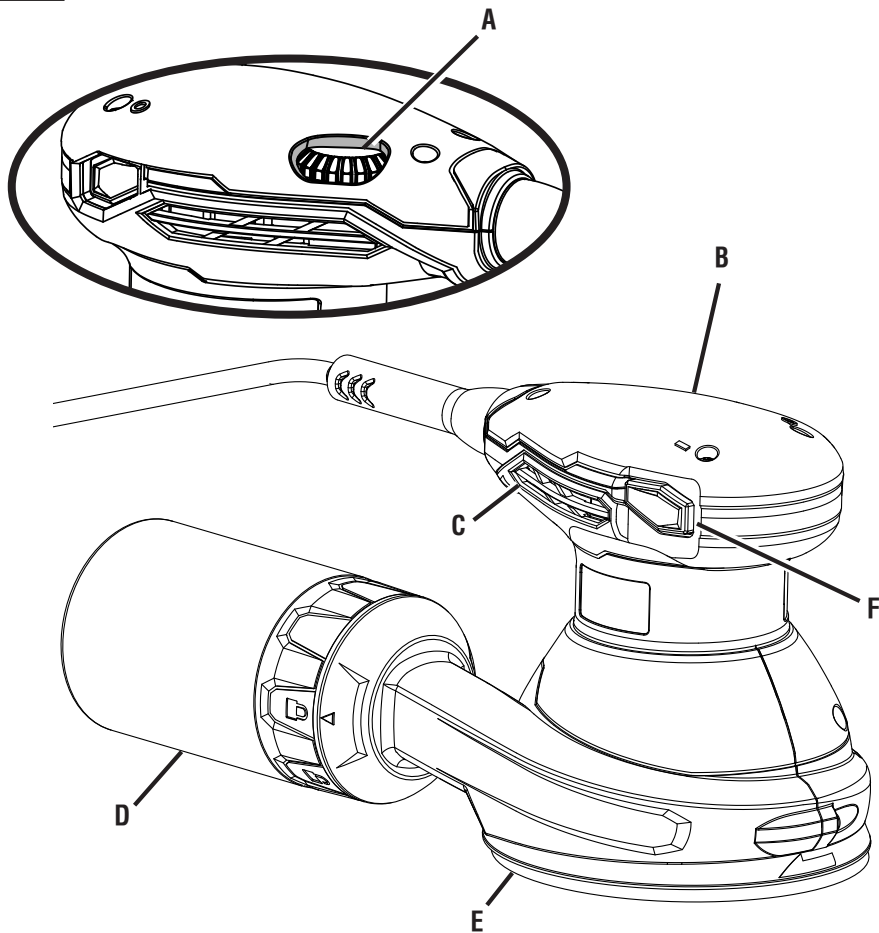
- Desconecte la lijadora.

ADVERTENCIA:

Si no se desconecta la herramienta puede ponerse en marcha accidentalmente, con el consiguiente riesgo de lesiones serias.

- Retire los tornillos (4) de la tapa superior de la lijadora.
- Retire la tapa superior.
- Retire los tornillos de sujeción (2).
- Retire las abrazaderas de los tubos de las escobillas (2).
- Desconecte las terminales de los conductores rojo y negro de los tubos de las escobillas.
- Retire los conjuntos de las escobillas (2).
- Inspeccione para ver si hay daños. Reemplace ambos conjuntos de las escobillas cuando uno u otro tenga menos de 1/4 pulg. (6,4 mm) de carbón restante. No reemplace un solo lado sin reemplazar el otro.
- Vuelva a armar la unidad empleando conjuntos de escobillas nuevos. Asegúrese de que la curvatura de la escobillas corresponda a la del motor y de que las escobillas se muevan libremente en los tubos de las mismas.
- Vuelva a armar la unidad; para ello, siga en sentido inverso los pasos enumerados arriba.
- Apriete firmemente los tornillos. **No aplique un apriete excesivo.**

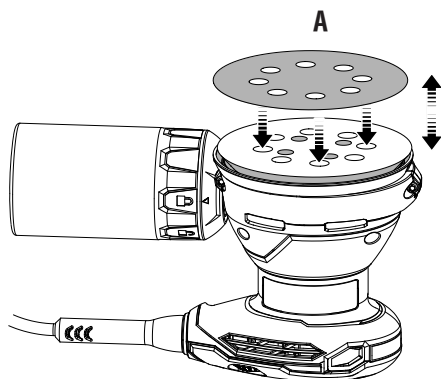
Este producto tiene una política de satisfacción garantizada de 90 días y una garantía limitada de tres años. Para obtener detalles sobre la garantía y la política de satisfacción garantizada, diríjase a www.RIDGID.com o llame sin cargo al 1-866-539-1710.



- A - Variable speed dial (cadran de vitesse variable, dial de velocidad variable)
- B - Ergonomic handle (poignée ergonomique, mango ergonómico)
- C - Air vent (ouïes d'aération, aberturas de aire)

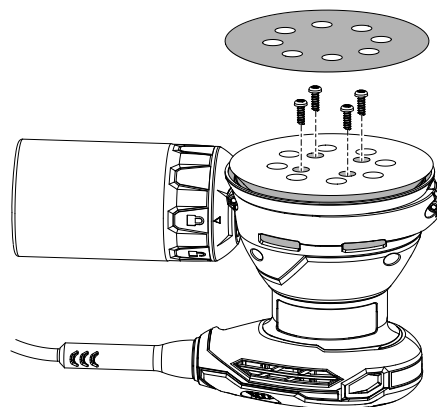
- D - Dust bag (sac à poussière, sacco captapolvero)
- E - Hook-and-loop backing pad (plateau porte-disque adhésif, almohadilla de respaldo de gancho y lazada)
- F - On/off switch (commutateur marche/arrêt, interruptor de encendido)

Fig. 1



A - Sanding disc (disque abrasif, disco lijador)

Fig. 2



Pressure sensitive adhesive (PSA) backing pad attachment and sanding disc sold separately [Le plateau porte-disque autocollant (PSA) et le disque abrasif sont vendus séparément, el accesorio para la almohadilla de respaldo autoadhesiva (PSA) y el disco de lija se venden por separado]

Fig. 3

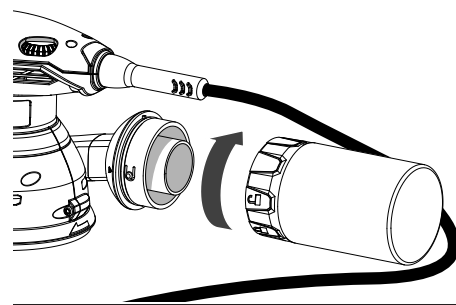


Fig. 4

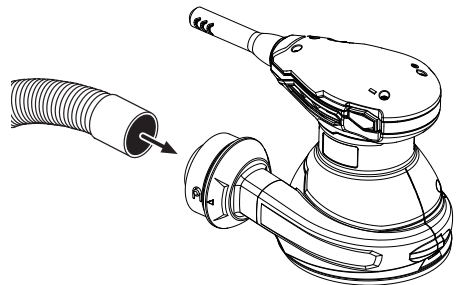
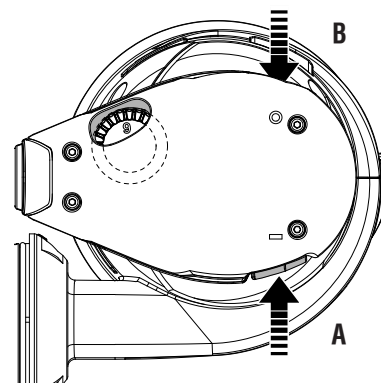


Fig. 5



A - To turn on (pour mettre en marche, para encender la unidad)

B - To turn off (pour arrêter, para apagar la unidad)

Fig. 6

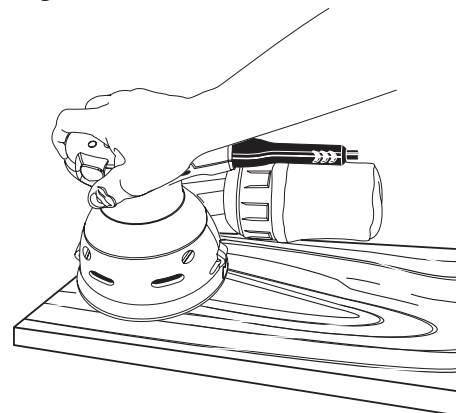


Fig. 7

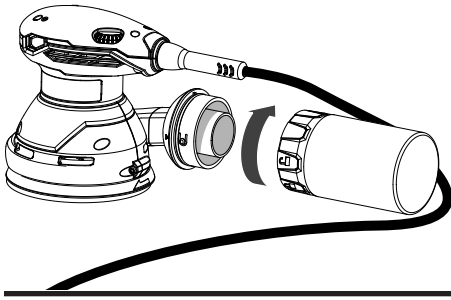


Fig. 8

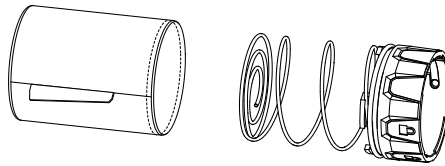


Fig. 9

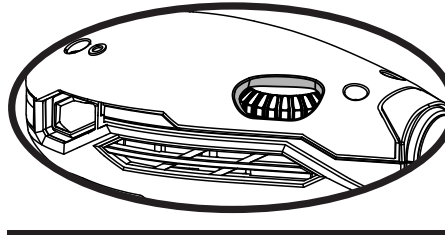
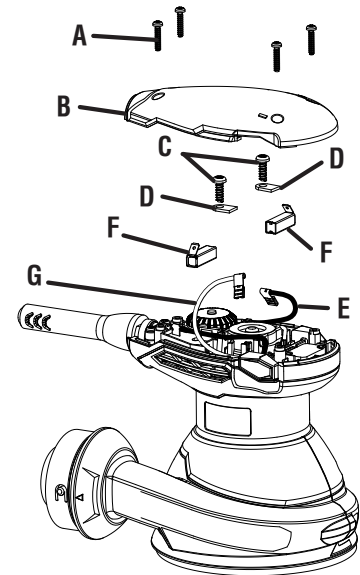


Fig. 10

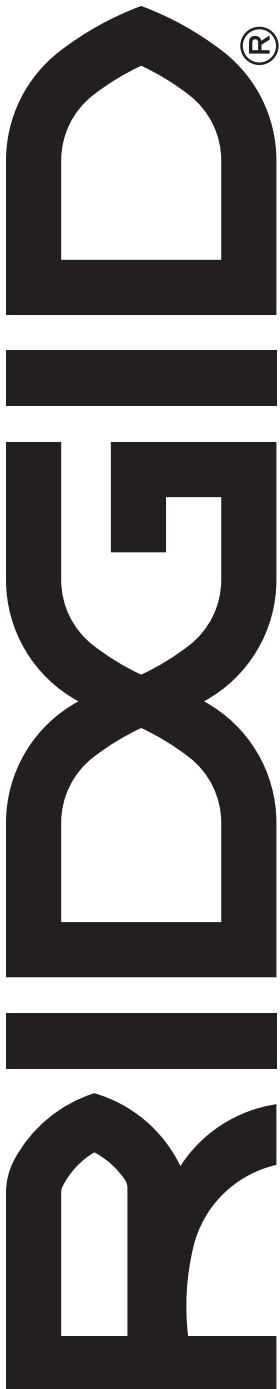


- A - Screws (vis, tornillos)
- B - Top cover (couvercle, tapa superior)
- C - Clamp screws (vis de collier, tornillos de sujeción)
- D - Brush tube clamps (colliers de tube de balais, abrazaderas de los tubos de las escobillas)
- E - Black lead (cosse noire, conductor negro)
- F - Brush assembly (balais, conjunto de escobilla)
- G - Red lead (cosse rouge, conductor rojo)

OPERATOR'S MANUAL MANUEL D'UTILISATION MANUAL DEL OPERADOR

RANDOM ORBIT SANDER PONCEUSE À ORBITE ALÉATOIRE LIJADORA ORBITAL ALEATORIA

R2601



Customer Service Information:

For parts or service, do not return this product to the store. Contact your nearest RIDGID® authorized service center. Be sure to provide all relevant information when you call or visit. For the location of the authorized service center nearest you, please call 1-866-539-1710 or visit us online at www.RIDGID.com.

MODEL NO. _____ SERIAL NO. _____

Service après-vente :

Pour acheter des pièces ou pour un dépannage, ne pas retourner ce produit au magasin. Contacter le centre de réparations RIDGID® agréé le plus proche. Veiller à fournir toutes les informations pertinentes lors de tout appel téléphonique ou visite. Pour obtenir l'adresse du centre de réparations agréé le plus proche, téléphoner au 1-866-539-1710 ou visiter notre site www.RIDGID.com.

NO. DE MODÈLE _____ NO. DE SÉRIE _____

Información sobre servicio al consumidor:

Para piezas de repuesto o servicio, no devuelva este producto a la tienda. Comuníquese con el centro de servicio autorizado de productos RIDGID® de su preferencia. Asegúrese de proporcionar todos los datos pertinentes al llamar o al presentarse personalmente. Para obtener información sobre el centro de servicio autorizado más cercano a usted, le suplicamos llamar al 1-866-539-1710 o visitar nuestro sitio en la red mundial, en la dirección www.RIDGID.com.

NÚM. DE MODELO _____ NÚM. DE SERIE _____

ONE WORLD TECHNOLOGIES, INC.

P.O. Box 1427
Anderson, SC 29622 USA
1-866-539-1710 ■ www.RIDGID.com

RIDGID is a registered trademark of RIDGID, Inc., used under license.

987000-818
7-7-17 (REV:03)