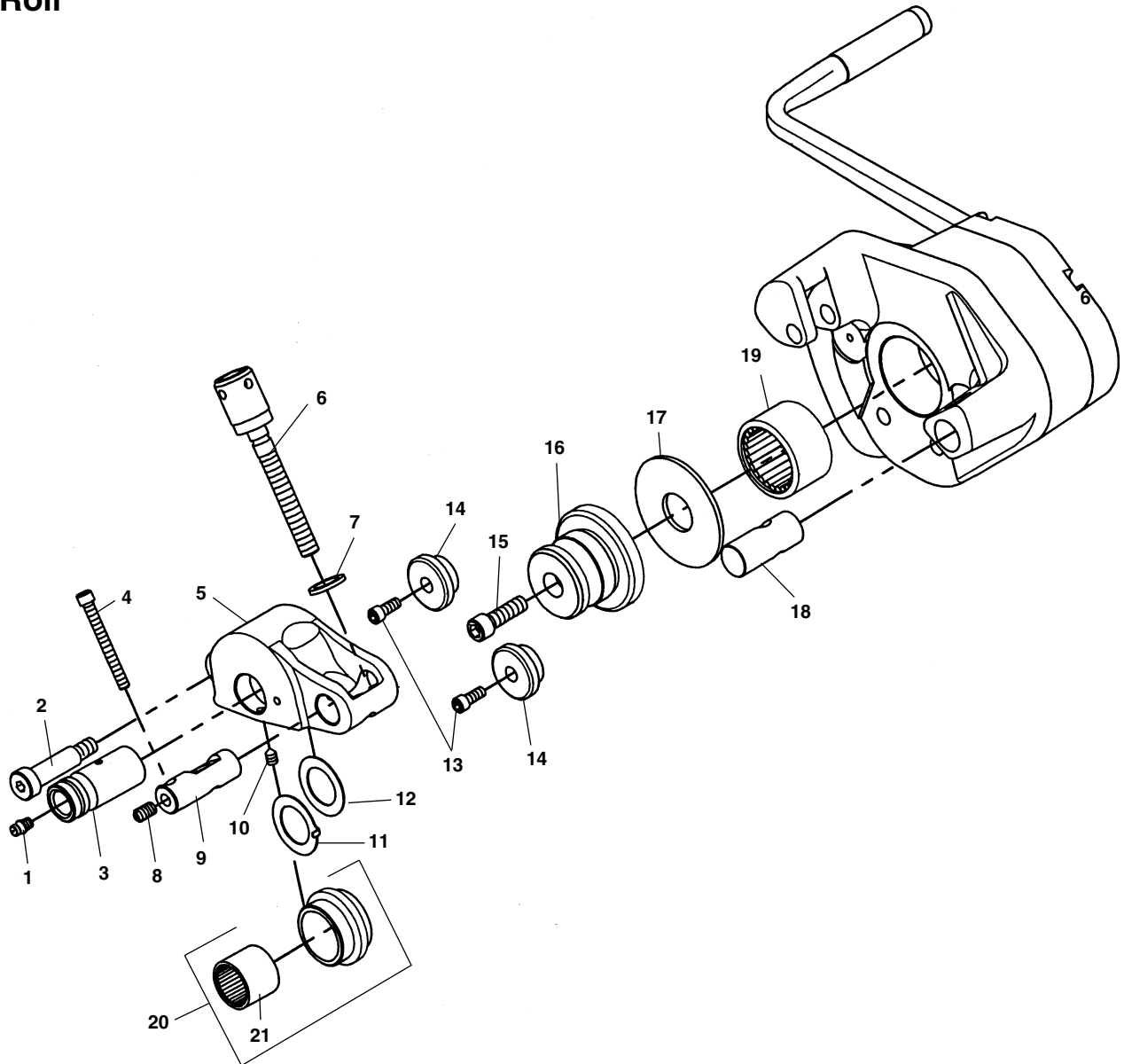


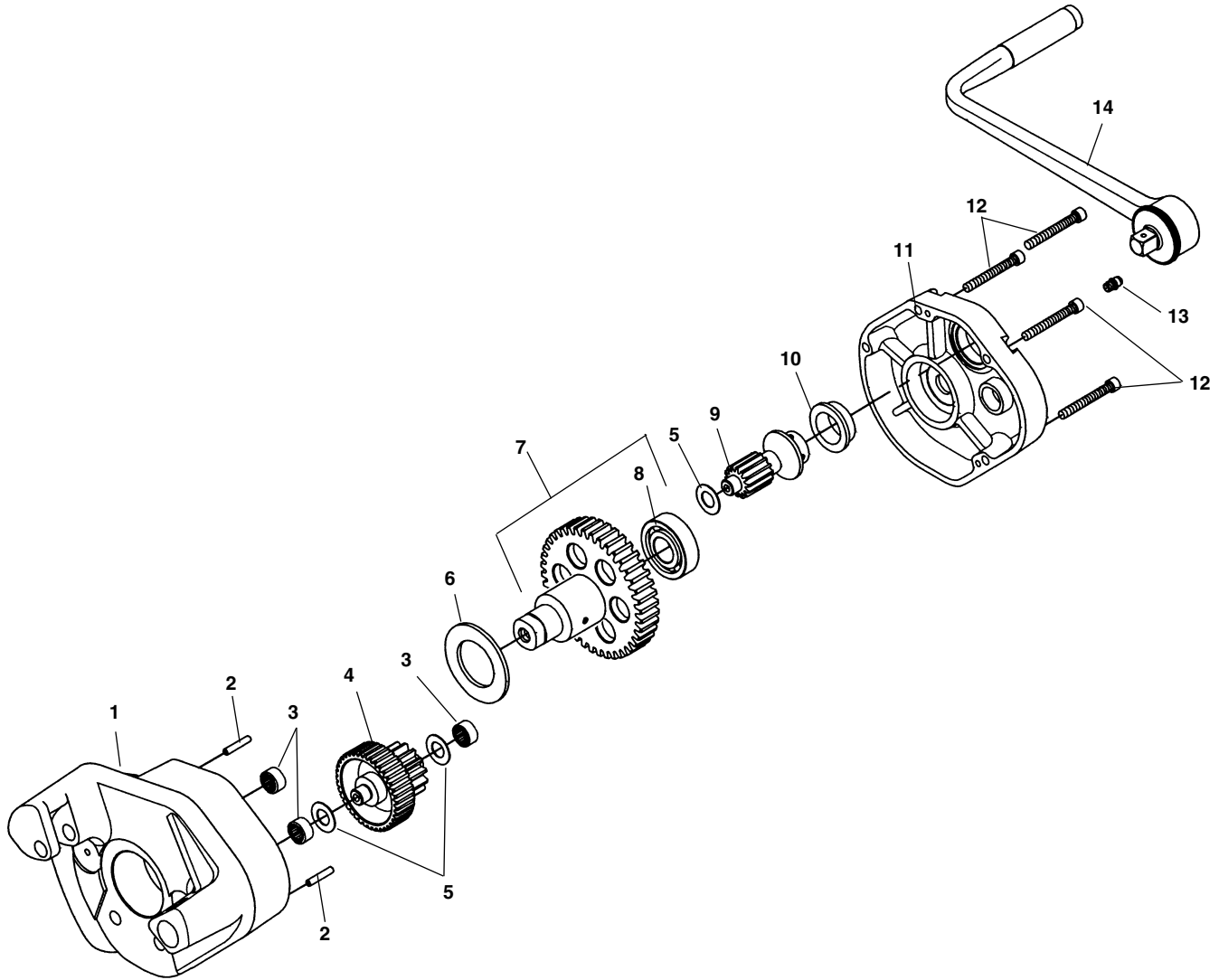
Drive Roll



**NOTE: Order parts by Catalog Number only.
DO NOT order by Reference Number.**

Ref. No.	Catalog No.	Description	Ref. No.	Catalog No.	Description
—	88232	915 Roll Groover	12	93652	Thrust Washer
1	46860	Grease Fitting (2)	13	32205	Screw, 1/4" - 20 x 5/8"
2	93602	Shoulder Screw	14	93752	Stabilizer, 2" - 6" (2)
3	93607	Groove Roll Pin		93867	Stabilizer, 8" - 12" (2)
4	93622	Screw, Socket Head, 1/4" - 20 x 2 1/4" (1)	15	46745	Hex Soc Cap Screw 3/8" - 16 x 1 1/4" (1)
5	93627	Reaction Arm	16	93757	Drive Roll 2" - 6" Sch. 10, 2" - 3 1/2" Sch. 40
6	93632	Feed Screw	17	93762	Drive Roll Thrust Washer
7	93657	Load Thrust Washer	18	93767	Pivot Nut Pin
8	93612	Ball Detent, 5/16" - 18 (1)	19	87610	Bearing, Roller
9	93617	Pivot Pin	20	93642	Groove Roll 2" - 6" Sch. 10, 2" - 3 1/2" Sch. 40
10	45187	Set Screw, Socket Head	21	45172	Bearing
11	93647	Locking Thrust Washer			

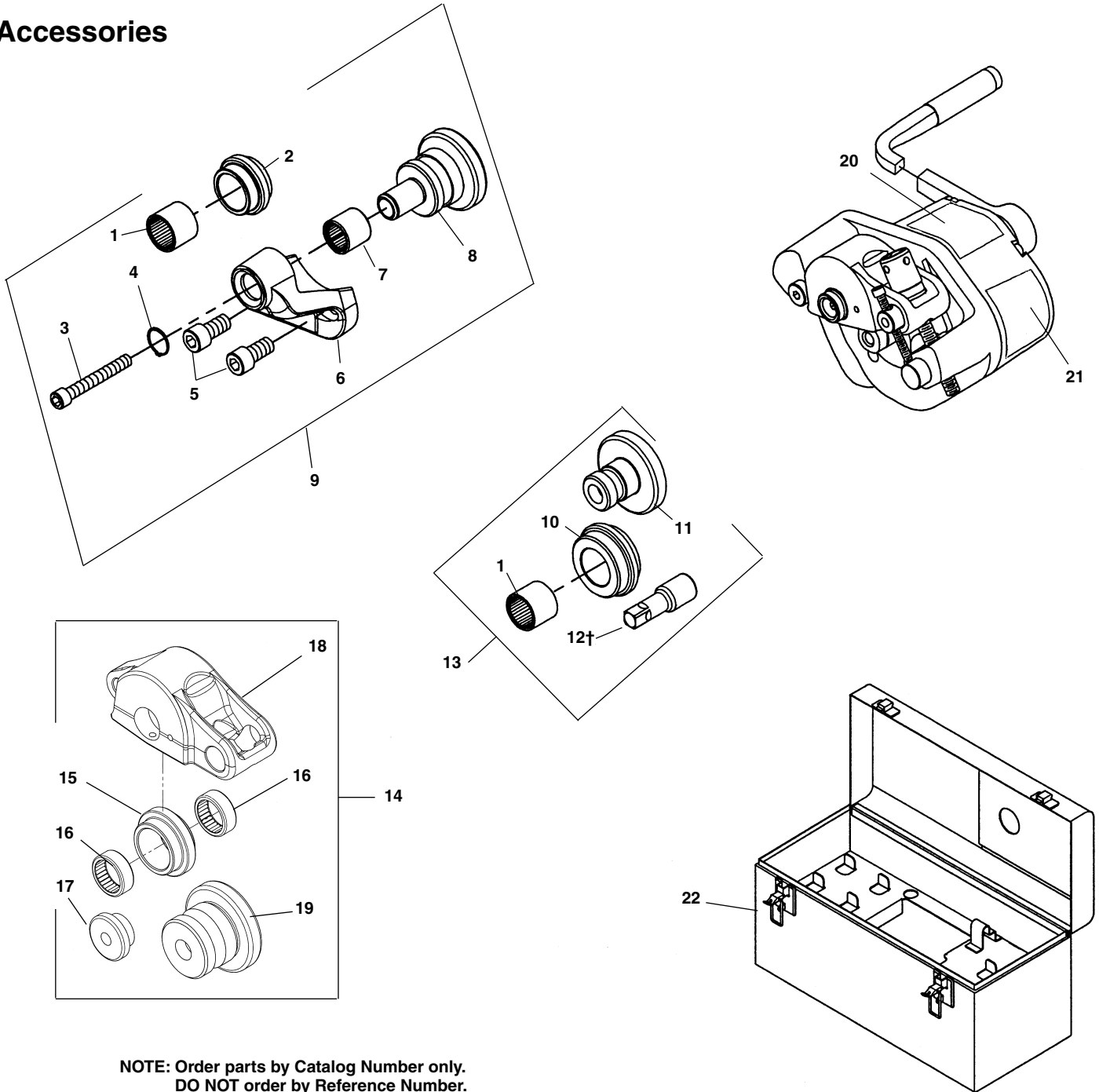
Main Housing



**NOTE: Order parts by Catalog Number only.
DO NOT order by Reference Number.**

Ref. No.	Catalog No.	Description	Ref. No.	Catalog No.	Description
1	93772	Main Housing	8	44620	Bearing, Ball
2	77097	Pin (4)	9	93807	Input Drive Pinion
3	93777	Needle Roller Bearing (3)	10	93812	Bronze Flange Bearing
4	93787	Intermediate Gear Cluster	11	93817	Rear Cover
5	93782	Thrust Bearing Washer (3)	12	40657	Screw, 1/4" - 20 x 1 1/2" (4)
6	93792	Bronze Thrust Bearing	13	46860	Drive Grease Fitting (2)
7	16408	Drive Shaft Assembly	14	92202	Ratchet, 1/2" Drive 90°

Accessories



**NOTE: Order parts by Catalog Number only.
DO NOT order by Reference Number.**

Ref. No.	Catalog No.	Description	Ref. No.	Catalog No.	Description
1	45172	Bearing	14	92452	2" - 8" Copper 915 Groove Roll Set
2	93887	Groove Roll 4" - 6" Sch. 40	15	93892	Copper Groove Roll 2" - 8"
	93862	Groove Roll 8" - 12" Sch. 10	16	10368	Bearing Needle Roller (2)
3	93847	Screw 3/8" - 16 x 2 3/4"	17	10373	Copper Stabilizer
4	93852	External Retaining Ring	18	10378	Copper Reaction Arm
5	93857	Screw, 1/2" - 12 x 1" (2)	19	93897	Copper Drive Roll 2" - 8"
6	93872	Support, Drive Roll	20	93822	Operating Instructions Decal
7	93877	Bearing, Needle Roller	21	93827	Warning Decal
8	93902	Drive Roll 4" - 6" Sch. 40	22	93497	915 Tool Box
	93882	Drive Roll 8" - 12" Sch. 10			
9	92447	4" - 6" Sch. 40 Groove Roll Set	* Note Items Not Shown		
	92442	8" - 12" Sch. 10 Groove Roll Set	*	49087	1/8" T-Handle Hex Key
10	93837	Groove Roll 1 1/4" - 1 1/2"	*	46045	5/16" Hex Key
11	93832	Drive Roll 1 1/4" - 1 1/2"	*	46030	3/16" Hex Key
12†	93842	Extension, 1/2" Drive (for 1 1/4" - 1 1/2" Roll Set)	*	46190	1/4" Hex Key
13	92437	1 1/4" - 1 1/2" Groove Roll Set	*	30708	2 1/2" Extension

† Used on 1 1/4" - 1 1/2" grooving for clearance of the ratchet head to the reaction arm.

Notes