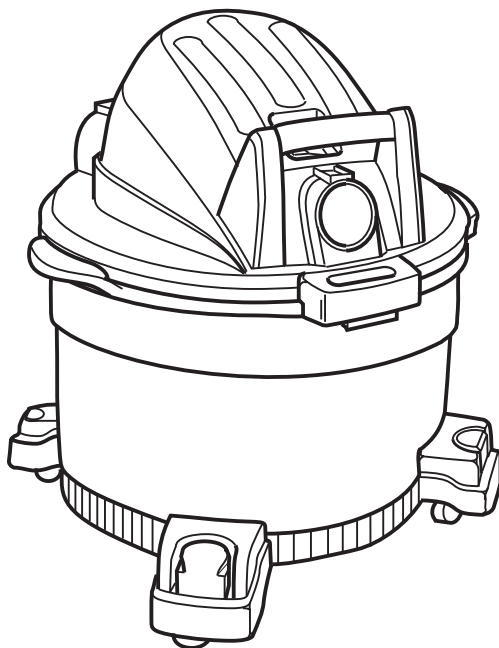




OWNER'S MANUAL

22.5 LITRE WET/DRY VAC

WD0655AU0
WD0655KR0
WD0655ND0



FOR QUESTIONS OR INFORMATION CONTACT US AT
www.RIDGID.com.au

⚠ WARNING:

To reduce the risk of injury, the user must read and understand the owner's manual before using this product.

Thank you for buying a RIDGID product.

- English – Page 1
- 한국어 – 17페이지
- Bahasa Indonesia – Halaman 33

SAVE THIS MANUAL FOR FUTURE REFERENCE

Table of Contents

Section	Page	Section	Page
Important Safety Instructions.....	2	Moving the Wet/Dry Vac	8
Introduction.....	4	Blowing Feature	9
Unpacking and Checking		To Store Your Accessories.....	9
Carton Contents.....	4	Maintenance	10-12
Caster/Caster Foot Assembly.....	5	Filter	11
Wet/Dry Vac Assembly	6	Filter Removal and Installation	
Operation.....	7-9	of the Qwik Lock Filter	11
Vacuuming Dry Materials	8	Storage	13
Vacuuming Liquids.....	8	Casters.....	13
Emptying the Drum	8	Repair Parts.....	14-15

IMPORTANT SAFETY INSTRUCTIONS

Safety is a combination of using common sense, staying alert and knowing how your Wet/Dry Vacuum Cleaner (“Vac”) works.

Safety Signal Words

▲ DANGER: Indicates a hazardous situation which, if not avoided, will result in death or serious injury.

▲ WARNING: Indicates a hazardous situation which, if not avoided, could result in death or serious injury.

▲ CAUTION: Indicates a hazardous situation which, if not avoided, could result in minor or moderate injury.

When using your Vac, always follow basic safety precautions including the following:

▲ WARNING

– **To reduce the risk of fire, electric shock, or injury:**

- Read and understand this manual and all labels on the Wet/Dry Vac before operating.
- Use only as described in this manual.
- Do not leave Vac running while unattended – you may fail to notice important signs indicating abnormal operation such as loss of suction, debris/liquid exiting the exhaust or abnormal motor noises. Immediately stop using Vac if you notice any of these signs.
- Do not leave Vac when plugged in when not in use and before servicing.
- Sparks inside the motor can ignite flammable fumes or dust. To reduce the risk of fire or explosion, do not use near combustible liquids, gases, or dusts, such as petrol or other fuels, lighter fluid, cleaners, oil-based paints, natural gas, coal dust, magnesium dust, grain dust, aluminium dust or gun-powder.
- Do not vacuum anything that is burning or smoking, such as cigarettes, matches, or hot ashes.
- Do not vacuum plasterboard or plaster dust, cold fireplace ash, or other fine dusts with standard filter. These may pass through the filter and be exhausted back into the air. Use a fine dust filter instead.
- To reduce the risk of inhaling toxic fumes, do not vacuum or use near toxic or hazardous materials.
- To reduce the risk of electric shock, do not expose to rain or allow liquid to enter motor compartment. Store indoors.
- This vacuum cleaner is not intended for use by persons (including children) with reduced physical, sensory or mental capabilities, or lack of experience and knowledge, unless they have been given supervision or instruction concerning use of the vacuum by a person responsible for their safety.
- Do not allow Vac to be used as a toy. Close attention is necessary when used by or near children.
- Do not use with a torn filter or without the filter installed except when

vacuuming liquids as described in this manual. Dry debris ingested by the impeller may damage the motor or be exhausted into the air.

- Turn off the Vac before unplugging.
- To reduce the risk of injury from accidental start-up, unplug power cord before changing or cleaning filter.
- Do not unplug by pulling on the cord. To unplug, grasp the plug, not the cord.
- Do not use with a damaged cord, plug or other parts. If your Vac is not working as it should, has missing parts, has been dropped, damaged, left outdoors or dropped into water, call customer service. Do not pull or carry by the cord, use the cord as a handle, close a door on cord, or pull the cord around sharp edges or corners.
- Do not run Vac over cord. Keep cord away from heated surfaces.
- Do not handle plug, switch or the Vac with wet hands.
- Use only extension cords that are rated for outdoor use. Extension cords in poor condition or too small in wire size can pose fire and shock hazards. To reduce the risk of these hazards, be sure the cord is in good condition and that liquid does not contact the connection. Do not use an extension cord with conductors smaller than 1.3 mm². To reduce power loss, do not use an extension cord with conductors smaller than 2.1 mm² if the length is more than 30 m (100 ft.).
- This Wet/Dry Vac is double-insulated, eliminating the need for a separate earthing system. Use only identical replacement parts. Read the instructions for Servicing Double-Insulated Wet/Dry Vacs before servicing.
- Do not put any object into ventilation openings. Do not vacuum with any ventilation openings blocked; keep free of dust, lint, hair or anything that may reduce air flow.
- Keep hair, loose clothing, fingers and all parts of body away from openings and moving parts.
- To reduce the risk of falls, use extra care when cleaning on stairs.
- To reduce the risk of back injury or falls, do not lift a Vac that is heavy with liquid or debris. Partially empty the Vac by


scooping debris or draining liquid to make it comfortable to lift.

- To reduce the risk of personal injury or damage to Vac, use only Ridgid-recommended accessories.
- When using as a blower:
 - Direct air discharge only at work area.
 - Do not direct air at bystanders.
 - Keep children away when blowing.
 - Do not use blower for any job except blowing dirt and debris.
 - Do not use as a sprayer.
- To reduce the risk of eye injury, wear safety goggles. The operation of any utility Vac or blower can result in foreign objects being blown into the eyes, which can result in severe eye damage.

▲ CAUTION:

- To reduce the risk of hearing damage, wear ear protectors when using for an extended time or in a noisy area.
- For dusty operations, wear a dust mask.
- Static shocks are common when the relative humidity of the air is low. Vacuuming fine debris with your Vac can deposit static charge on the hose or Vac. To reduce the frequency of static shocks in your home or when using this Vac, add moisture to the air with a humidifier.

Observe the following warnings that appear on the motor housing of your Vac:

 DOUBLE INSULATED EARTHING NOT REQUIRED. WHEN SERVICING USE ONLY IDENTICAL REPLACEMENT PARTS.

▲ WARNING: For your own safety, read and understand the owner's manual. Do not run unattended. Do not pick up hot ashes, coals, toxic, inflammable or other hazardous materials. Do not use around explosive liquids or vapour.

▲ WARNING: To reduce the risk of electric shock – do not expose to rain – store indoors.

SAVE THIS MANUAL

Introduction

This Wet/Dry Vac is intended for household use and for normal housekeeping purposes in hotels, offices, schools, hospitals and similar premises. It may be used for vacuuming wet or dry media and may be used as a blower.

Read this owner's manual to familiarise yourself with the product features and to understand the specific usage of your new Vac.

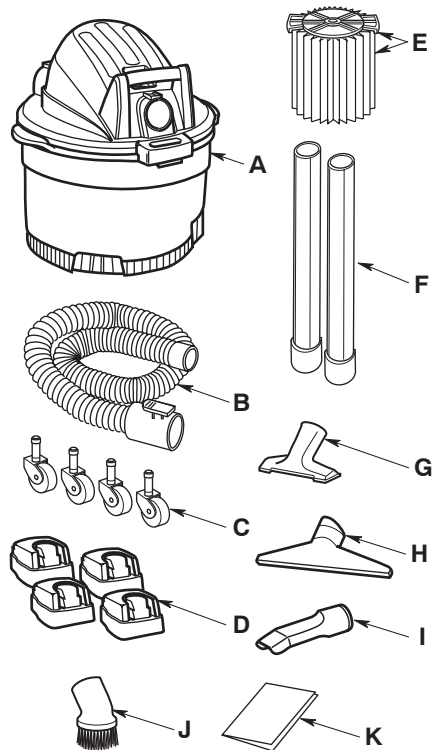
Unpacking and Checking Carton Contents

Remove contents of carton. Check each item against the Carton Contents List. If any parts are missing or damaged please contact us at www.RIDGID.com.au.

Carton Contents List

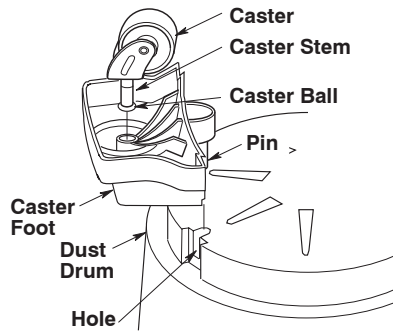
Key	Description	Qty
A	Wet/Dry Vac	1
B	Locking Hose Assembly	1
C	Caster	4
D	Caster Foot w/Storage	4
E*	Qwik Lock™ Filter	1
F	Extension Wands	2
G	Utility Nozzle	1
H	Wet Nozzle	1
I	Car Nozzle	1
J	Dusting Brush	1
K	Owner's Manual	1

* The filter comes preassembled to the power head.



Caster/Caster Foot Assembly

1. Turn the dust drum upside down on the floor.
2. Insert the caster feet into the bottom of drum, as shown (4 places).
3. Push on the caster foot until the foot is flush with the bottom of the dust drum.
4. Insert the caster stem into the socket of the caster foot, as shown (4 places).
5. Push on the caster until the ball on the caster stem is inserted all the way into the socket. You will hear the ball snap into the socket and the caster will swivel easily when positioning is correct.
6. Turn the drum upright.

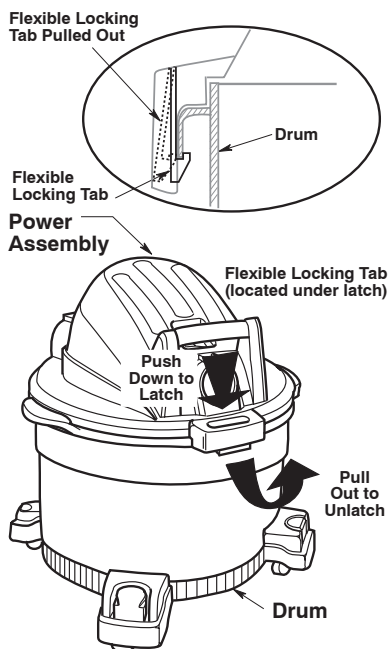


Wet/Dry Vac Assembly

1. Line up front of powerhead assembly with Vacuum port located on the front of the drum, as shown.

NOTE: Powerhead assembly must be aligned with drum for proper attachment.

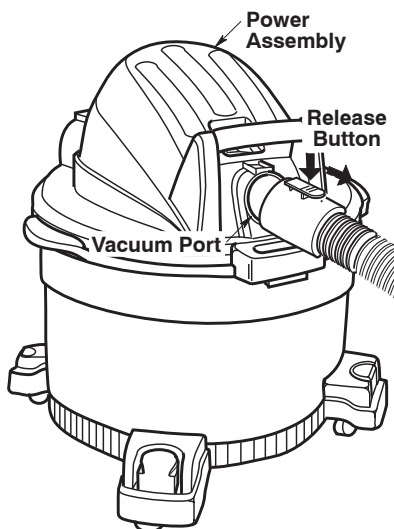
2. Place powerhead assembly on top of the drum.
3. Be sure powerhead assembly completely covers the top of the drum so leakage does not occur.
4. Push down on top of handles to cause flexible locking tabs to hook on to the drum.
5. Make sure that the locking tabs are snapped into place as shown, to prevent the lid from coming off.
6. To remove the powerhead assembly, reverse above directions.



Insert Hose

Insert the larger end of the hose into the vacuum port.

Place the utility nozzle securely on the opposite end of the hose and the vac is ready for use.



Operation

▲ WARNING: To reduce the risk of fire, explosion or damage to Vac:

- Do not leave Vac running while unattended – you may fail to notice important signs indicating abnormal operation such as loss of suction, debris/liquid exiting the exhaust or abnormal motor noises. Immediately stop using Vac if you notice these signs.
- Do not leave Vac plugged in when not in use.
- Do not continue running when float has cut off suction.
- Sparks inside the motor can ignite airborne inflammables. Do not operate Vac near inflammable liquids or in areas with inflammable gases, fumes or explosive/airborne dust. Inflammable liquids, gases and fumes include: lighter fluid, solvent-type cleaners, oil-based paints, petrol, alcohol and aerosol sprays. Explosive dusts include: coal, magnesium, aluminium, grain and gun powder.
- Do not vacuum up explosive dusts, inflammable liquids or hot ashes.

▲ WARNING: To reduce the risk of electric shock or injury:

- Do not expose to rain or allow liquid to enter motor compartment. Store indoors.
- Do not handle plug, switch, or Vac with wet hands.
- Unplug Vac before servicing. If your Vac is not working as it should, has missing parts, has been dropped, damaged, left outdoors or dropped into water, return it to an authorised service centre or call customer service.
- When using an extension cord, use only outdoor-rated cords that are in good condition. Do not allow the connection to come into contact with liquid.

After you plug the power cord into the socket, turn the unit on by pushing the switch from position “O” to position “I”. The symbols used on the switch actuator are international “On & Off” symbols:



Familiarise yourself with the accessories included with the Vac. Each accessory may be used in various ways for vacuuming and blowing debris. Here is a list of the accessories and their uses:

Utility Nozzle – General purpose nozzle for most vacuuming applications.

Extension Wands – These wands can be connected together and provide additional length.

Locking Hose – Provides transfer of vacuum or blowing capability to work site. Provides the means of attaching extension wands and nozzles.

Wet Nozzle – Used for wet pick-up on smooth surfaces to pick up liquid and dry the surface in one stroke.

Car Nozzle – Dry pick-up nozzle for car interiors and most upholstery cleaning.

Dusting Brush – Used for detailed cleaning in small spaces.

Operation (continued)

Vacuumping Dry Materials

1. The filter must always be in the correct position at all times to avoid leaks and possible damage to Vac.
2. When using your Vac to pick up fine dust, it will be necessary for you to empty the drum and clean the filter at more frequent intervals to maintain peak Vac performance.

NOTE: It is necessary that a dry filter is used to pick up dry material. If you use your Vac to pick up dust when the filter is wet, the filter will clog quickly and be very difficult to clean.

3. If your filter is wet but you need to use the Vac to pick up dry material, you must first allow the filter to dry.

Vacuumping Liquids

1. When picking up small amounts of liquid (less than 3-6 cm of liquid in the bottom of the drum) the filter may be left in place.
2. When picking up larger amounts of liquid (more than 6 cm of liquid in the bottom of the drum) we recommend that the filter be removed. If the filter is not removed, it will become saturated and misting may appear in the exhaust.
3. When the liquid in the drum reaches a predetermined level, the float mechanism will rise automatically to cut off air-flow. You will know that the float has risen because suction stops and the motor noise will become higher in pitch, due to increased motor speed. When this happens, turn off the Vac, unplug the power cord, and empty the drum.
4. After using the Vac to pick up liquids, the filter must be dried to avoid possible mildew and damage to the filter.

IMPORTANT: To reduce the risk of damage to the Vac, do not run Vac with float in raised position.

Emptying the Drum

▲ WARNING: To reduce the risk of injury from accidental starting, unplug the power cord before emptying the drum.

1. Remove the lid. Pull the flexible latches outwards on each side of the lid to release from the drum.
2. While holding the latches out, lift the top assembly up and away from the drum.
3. Lay top assembly upside down on a clean area while emptying the drum or changing the filter.
4. Dump the drum contents into the proper waste disposal container.

Moving the Wet/Dry Vac

Should it become necessary to pick the Vac up to move it, DO NOT pick the Vac up by the lid handles unless the dust drum is empty. To avoid dropping the Vac, due to latches releasing or possible part breakage, pick the Vac up by the dust drum.

▲ WARNING: To reduce the risk of back injury or falls, do not lift a Vac heavy with liquid or debris. Scoop or drain enough contents out to make the Vac light enough to lift comfortably.

Operation (continued)

Blowing Feature

Your Wet/Dry Vac features "Full Blowing". It can blow sawdust and other debris. Follow the steps below to use your Vac as a blower.

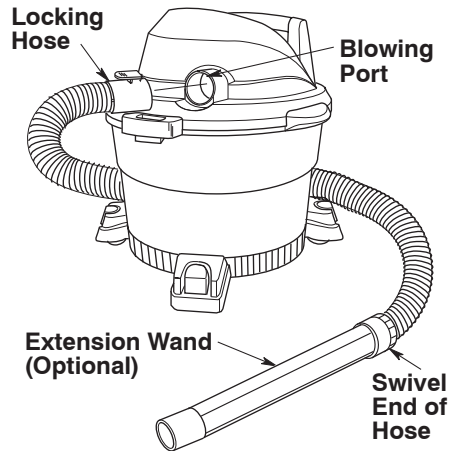
▲ WARNING: Always wear safety goggles before using as a blower.

▲ WARNING: To reduce the risk of injury to bystanders, keep them clear of blowing debris.

▲ CAUTION: Wear a dust mask if blowing creates dust which might be inhaled.

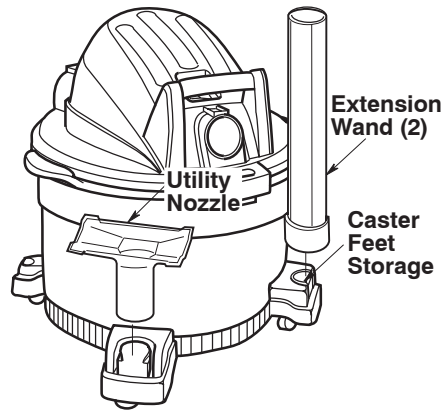
▲ CAUTION: To reduce the risk of hearing damage, wear ear protectors when using the Vac/Blower for extended time or in a noisy area.

1. Locate blowing port of your Wet/Dry Vac.
2. Insert locking end of hose into the blowing port of the Vac.
3. (Optional) Attach extension wand to swivel end of hose.
4. Turn Vac on and you are ready to use your Vac as a blower.



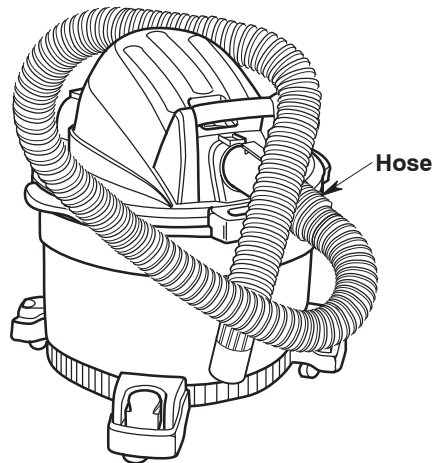
To Store Your Accessories

1. Slide extension wands and accessories on to posts of the caster feet for storage.
2. To remove wands and accessories, lightly rotate and pull upwards.



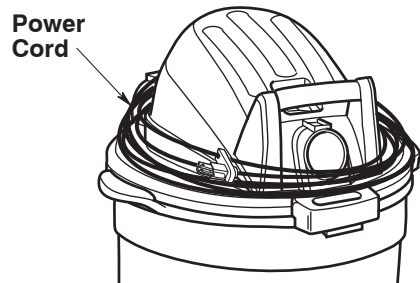
Hose Storage

Insert the hose into the inlet then wrap the hose around the power head and back into the hose as shown.



Cord Storage

Simply, wrap the power cord around the power head and snap the connector on the plug to a wrap of the cord.



Maintenance

Filter

▲ WARNING: To reduce the risk of injury from accidental starting, unplug the power cord before changing or cleaning the filter.

NOTE: The filter is made of high quality paper designed to stop small particles of dust. The filter can be used for dry pick-up or small amounts of liquid. Handle the filter carefully when removing or installing it. Creases in the filter pleats may occur from installation but will not affect the performance of the filter.

Removal and Installation of the Qwik Lock™ Filter

Filter Removal:

1. Hold the filter tabs of the Qwik Lock™ filter in each hand.
2. With one thumb on the Qwik Lock™ stud, which protrudes through the integrated filter plate, lift up the filter tabs while pushing down on the stud.
3. This action will cause the filter to release from the filter cage. Slide the filter off cage.

IMPORTANT: To avoid damage to the blower wheel and motor, always reinstall the filter before using the Vac for dry material pickup.

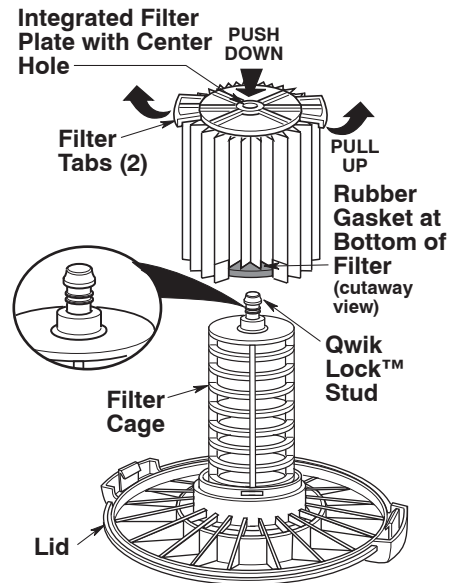
Filter Installation:

1. Carefully slide the Qwik Lock™ filter over the filter cage and press down on the outside edge of the filter until the rubber gasket on the bottom of the filter seats securely around the base of the filter cage and against the lid.

2. Align the small centre hole in the top of the filter over the Qwik Lock™ stud on the filter cage. Press firmly on top of the filter near the stud to allow the filter to snap over the ball on the end of the stud. The filter is now attached.

NOTE: Failure to properly seat the bottom gasket could result in debris by-passing the filter.

▲ WARNING: Do not operate without a filter cage and float, as they prevent liquid from entering the impeller and damaging the motor.



Maintenance (continued)

Filter Cleaning

Your filter should be cleaned often to maintain peak Vac performance.

Be sure to dry the filter before storing or picking up dry debris.

Cleaning A Dry Filter

1. Some removal of dry debris can be accomplished without removing the filter from the Vac. Slap your hand on top of the lid while the Vac is turned off.
2. For best cleaning results due to accumulated dust, clean the filter in an open area. Cleaning SHOULD be done outdoors and not in the living quarters.
3. After filter removal from Vac, remove the dry debris by gently tapping the filter against the inside wall of the dust drum. The debris will loosen and fall.
4. For thorough cleaning of a dry filter containing fine dust (no debris), run water through it as described under "Cleaning A Wet Filter".

Cleaning A Wet Filter

After filter has been removed, run water through the filter from a hose or tap. Take care that water pressure from the hose is not strong enough to damage the filter.

IMPORTANT: After cleaning, check the filter for tears or small holes. Do not use a filter with holes or tears in it. Even a small hole can cause a lot of dust to come out of your Vac. Replace it immediately.

Allow the filter to dry before reinstalling and storing the Vac.

Cleaning and Disinfecting the Wet/Dry Vac

To keep your Wet/Dry Vac looking its best, clean the outside with a cloth dampened with warm water and mild detergent.

To clean the drum:

1. Dump debris out.
2. Wash drum thoroughly with warm water and mild detergent.
3. Wipe out with dry cloth.

Before prolonged storage or as needed (i.e.; waste water pick-up) the drum should be disinfected.

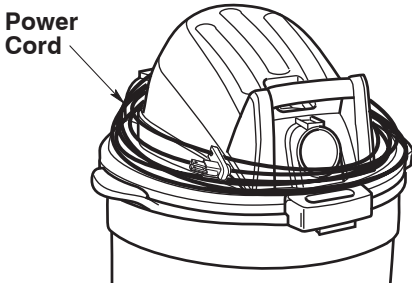
To disinfect the drum:

1. Pour 4 l of water and 5 ml chlorine bleach into the drum.
2. Let solution stand for 20 minutes, carefully agitating it every few minutes, making sure to wet all inside surfaces of the drum.
3. Empty drum after 20 minutes. Rinse with water until bleach smell has gone. Allow drum to dry completely before sealing the motor on the drum.

Maintenance (continued)

Cord Maintenance

When vacuuming is complete, unplug the cord and wrap it around the motor cover. If the power cord is damaged, it must be replaced by the manufacturer or the service agent or by similarly qualified personnel to reduce the risk of accident.



Storage

Before storing your Vac, the dust drum should be emptied and cleaned. The cord should be wrapped around the unit. Accessories should be kept in the same area as the Vac so they can be readily available. The Vac should be stored indoors.

Casters

If your casters are noisy, you may put a drop of oil on the roller shaft to make them quieter.

▲ WARNING: To assure product SAFETY and RELIABILITY, any other maintenance, repairs and adjustments should be performed by Authorised Service Centres, always using RIDGID replacement parts.

Repair Parts


RIDGID 22.5 Litre Wet/Dry Vac Model Numbers WD0655AU0 / WD0655KR0 / WD0655ND0

Electrical Rating:
220 - 230 V, 4 A, 50/60 Hz.

RIDGID parts are available on-line at www.RIDGID.com
Always order by Part Number - Not by Key Number

▲ WARNING

SERVICING OF DOUBLE-INSULATED WET/DRY VAC

In a double-insulated Wet/Dry Vac, two systems of insulation are provided instead of earthing. No earthing is provided on a double-insulated appliance, nor should a means for earthing be added. Servicing a double-insulated Wet/Dry Vac requires extreme care and knowledge of the system, and should be done only by qualified service personnel. Replacement parts for a double-insulated Wet/Dry Vac must be identical to the parts they replace. Your double-insulated Wet/Dry Vac is marked with the words "DOUBLE INSULATED" and the symbol  (square within a square) may also be marked on the appliance.

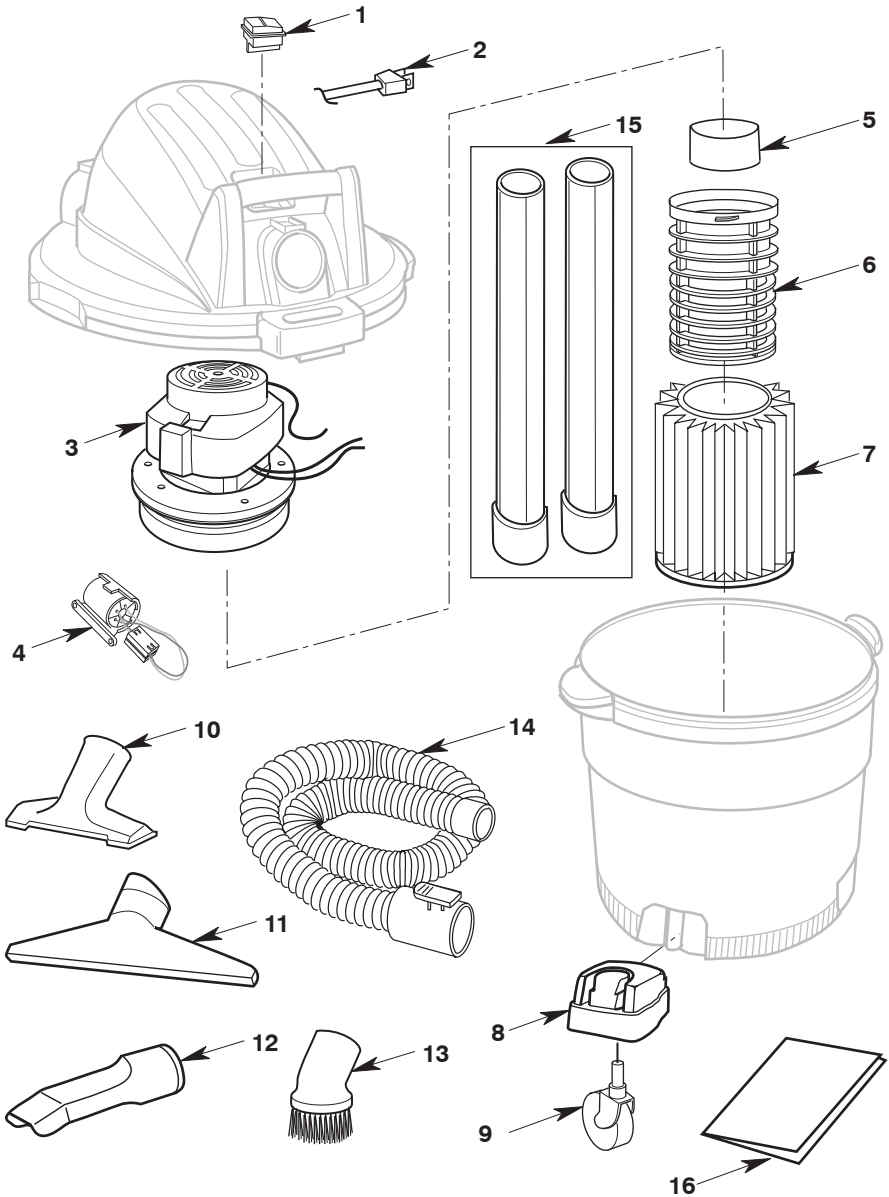
To reduce the risk of injury from electrical shock, unplug the power cord before servicing the electrical parts of the Wet/Dry Vac.

Key No.	Model No.	Description
1	833879	Switch
2	840534	Cord Assembly (WD0655AU0)
2	840446-1	Cord Assembly (WD0655KR0 & WD0655ND0)
3	833880	Motor Assembly
4	510395	Electrical Filters and Leads
5	509488	Float
6	833521	Filter Cage
7	VF4000	† Qwik Lock™ Filter
8	832084	Caster Foot w/Storage
9	331605	Caster
10	VT1709	† Utility Nozzle
11	VT1710	† Wet Nozzle
12	VT1781	† Car Nozzle
13	VT1702	† Dusting Brush
14	VT1720	Locking Hose Assembly
15	VT1708	† Extension Wand
16	SP6983	Owner's Manual

† These replacement parts are available where you purchased your Vac.

Repair Parts (continued)

RIDGID 22.5 Litre Wet/Dry Vac
Model Numbers WD0655AU0 / WD0655KR0 / WD0655ND0
RIDGID parts are available on-line at www.RIDGID.com





Symbol of Quality, Durability and Dependability

Catalogue No. WD0655AU0, WD0655KR0, WD0655ND0

Model No. WD0655AU0, WD0655KR0, WD0655ND0

Serial No. _____

Model and Serial numbers may be found on the label near cord entry on Vac. You should record both Model and Serial numbers in a safe place for future use.



EMERSON™

www.RIDGID.com.au

© 2016 Emerson



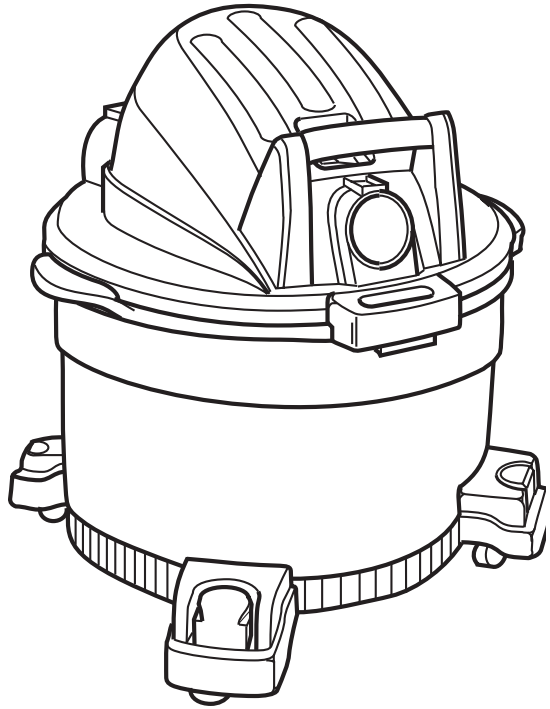
사용 설명서

22.5리터 상업용 건/습식 청소기

WD0655AU0

WD0655KR0

WD0655ND0



질문이나 궁금한 내용은 다음 웹사이트에서 문의하십시오.

www.RIDGID.com

⚠ 경고:

상해 위험을 줄이기 위해, 사용자는 이 제품을 사용하기 전에 사용 설명서를 읽고 이해해야 합니다.

RIDGID 제품을 구입해 주셔서 감사합니다.

- English – Page 1
- 한국어 – 17페이지
- Bahasa Indonesia – Halaman 33

이 설명서를 보관하여 나중에 참고하십시오.

목차

장	페이지	장	페이지
중요한 안전 수칙	18	습식/건식 Vac 옮기기	26
소개	20	송풍 기능	27
포장 풀기 및 상자		액세서리 보관 방법	26
내용물 확인	20	유지보수	27-28
이동 바퀴/이동 바퀴 발 조립	21	필터	27
습식/건식 Vac 조립	22	Qwik 락 필터	
작동	23-25	제거 및 설치	27
건조 물질 진공 청소	26	보관	29
액체 진공 청소	26	이동 바퀴	29
드럼 비우기	26	수리 부품	31-32

중요한 안전 수칙

안전을 위해서는 상식적으로 행동하고, 항상 주의하고, 습식/건식 진공 청소기 ("Vac")의 작동 원리를 알아야 합니다.

안전 신호 단어

▲ 위험: 예방하지 않을 경우 사망 또는 중상으로 이어지는 위험한 상황을 나타냅니다.

▲ 경고: 예방하지 않을 경우 사망 또는 중상으로 이어질 수 있는 위험한 상황을 나타냅니다.

▲ 주의: 예방하지 않을 경우 중간 수준 이하의 상해 사고가 발생할 수 있는 위험한 상황을 나타냅니다.

Vac를 사용할 때는 항상 다음 기본 안전 수칙을 따르십시오.

▲ 경고

- 화재, 감전 또는 상해 위험을 줄이기 위해,

- 이 설명서와 습식/건식 Vac의 모든 레이블을 읽고 이해한 후에 사용하십시오.
- 이 설명서에 설명되어 있는 방법만으로 사용하십시오.
- 작동 중인 Vac를 방치하지 마십시오. 이상 작동을 나타내는 흡입력 상실, 배기구에서 나오는 부스러기/액체, 또는 비정상적인 모터 소음 같은 중요한 증상을 보지 못할 수 있습니다. 이런 증상이 보이면 Vac 사용을 즉시 중단하십시오.
- 전원이 연결된 Vac를 방치하지 마십시오. 사용하지 않을 때 수리 전에 콘센트에서 분리하십시오.

- 모터 안에서 불꽃이 튀면 가연성 증기나 분진이 정화될 수 있습니다. 화재 또는 폭발 위험을 줄이기 위해, 휘발유 또는 기타 연료, 라이터 오일, 세척제, 유성 페인트, 천연 가스, 석탄 분진, 마그네슘 분진, 곡물 분진, 알루미늄 분진 또는 화약 같은 연소성 액체, 기체 또는 분진이 가까이 있는 곳에서 사용하지 마십시오.
- 담배 또는 성냥이나 뜨거운 재처럼 타거나 연기가 나는 것을 Vac로 청소하지 마십시오.
- 석고 분진, 식은 벽난로 재, 또는 기타 미세 분진을 Vac의 기본 필터로 청소하지 마십시오. 이런 물질은 필터를 통과하여 공기로 다시 배출될 수 있습니다. 미세 방진 필터를 대신 사용하십시오.
- 유해 증발 기체를 흡입하는 위험을 줄이기 위해, Vac로 유해 또는 위험 물질을 청소하거나 Vac를 이런 물질 근처에서 사용하지 마십시오.
- 감전 위험을 줄이기 위해, 모터 부품에 빗물이 닿거나 액체가 유입되지 않게 하십시오. 실내에 보관하십시오.
- 신체, 지각 또는 정신 능력이 저하되었거나 경험 및 지식이 부족한 사람(어린이 포함)은 이들의 안전을 책임지는 사람이 진공 청소기 사용을 감시하거나 사용법을 설명하지 않는 한 이 진공 청소기를 사용할 수 없습니다.

- Vac를 장난감으로 사용하지 않도록 하십시오. 어린이가 사용하거나 어린이 근처에서 사용할 때는 세심한 주의를 기울여야 합니다.
- 본 설명서의 설명에 따라 액체를 Vac로 청소하는 경우를 제외하고, 필터가 찢어졌거나 설치되지 않은 경우 사용하지 마십시오. 마른 부스러기가 임펠러에 흡입되면 모터가 손상되거나 공기로 배출될 수 있습니다.
- 전원을 분리하기 전에 Vac를 끄십시오.
- 실수로 청소기를 시작하여 다칠 수 있는 위험을 줄이기 위해, 필터를 교체 또는 청소하기 전에 전기 코드를 뽑으십시오.
- 코드를 당겨서 뽑지 마십시오. 코드가 아닌 플러그를 잡고 뽑으십시오.
- 코드 또는 플러그나 기타 부분이 손상된 상태로 사용하지 마십시오. Vac가 올바르게 작동하지 않거나, 손상되거나, 부품이 없거나, Vac를 떨어뜨리거나, 실외에 방치하거나, 물에 빠트린 경우 고객 서비스 센터에 문의하십시오.
- 코드를 잡아 당기거나, 잡고 운반하거나, 코드가 달은 문에 끼거나 날카로운 가장자리나 모서리에 끼이지 않도록 하십시오. 코드가 Vac에 깔리지 않게 하십시오. 코드를 뜨거운 표면에서 멀리 떨어뜨리십시오.
- 플러그, 스위치 또는 Vac를 젖은 손으로 다루지 마십시오.
- 실외용으로 승인된 연장 코드만 사용하십시오. 상태가 좋지 않거나 전선 굵기가 너무 얇은 연장 코드는 화재 및 광전 위험을 초래할 수 있습니다. 이런 위험을 줄이기 위해, 코드의 상태가 양호한지 확인하고 액체가 연결 부위에 닿지 않도록 하십시오. 도선이 1.3 mm²(16 AWG)보다 얇은 연장 코드를 사용하지 마십시오. 전원이 차단되는 경우를 줄이기 위해, 연장 코드의 길이가 30m(100ft)보다 긴 경우 도선 굵기가 2.1mm²(14 AWG)보다 얇은 코드를 사용하지 마십시오.
- 이 습식/건식 Vac는 이중 절연되어 있어 별도의 접지가 불필요합니다. 동일한 교체 부품만 사용하십시오. 수리 전에 이중 절연 습식/건식 Vac 수리 지침을 읽으십시오.
- 통풍구 안에 이물체를 집어 넣지 마십시오. 통풍구가 차단된 상태로 Vac를 사용하지 마십시오. 먼지와 보풀 등이 공기 흐름에 방해가 되지 않도록 하십시오.
- 머리카락, 느슨한 옷, 손가락 및 모든 신체 부위를 열린 구멍과 움직이는 부품에 가까이 대지 마십시오.

- 낙상 위험을 줄이기 위해, 계단에서 청소할 때는 더욱 주의하십시오.
- 등 부상 또는 낙상 위험을 줄이기 위해, 액체나 부스러기로 가득 찬 무거운 Vac를 들어올리지 마십시오. 부스러기를 퍼내거나 액체를 빼내어 Vac를 일부 비워서 쉽게 들어올릴 수 있게 하십시오.
- 신체 부상 또는 Vac 파손 위험을 줄이기 위해, Ridgid에서 권장하는 액세서리만 사용하십시오.
- 송풍기로 사용하는 경우:
 - 배출되는 공기가 작업 부위만 향하도록 하십시오.
 - 공기를 주변 사람을 향해 배출하지 마십시오.
 - 송풍 시에 어린이가 가까이 오지 않게 하십시오.
 - 송풍기를 분진이나 부스러기를 부는 작업에만 사용하십시오.
 - 분사기로 사용하지 마십시오.
- 눈 부상 위험을 줄이기 위해 보안경을 착용하십시오. 다음도 Vac 또는 송풍기를 작동시키면 바람에 날린 이물질이 눈에 들어가서 눈을 심하게 다칠 수 있습니다.

▲ 주의:

- 청각 손상 위험을 줄이기 위해, 오랜 시간 동안 사용하거나 시끄러운 장소에서 사용할 때는 청각 보호 장치를 착용하십시오.
- 작동 시에 먼지가 많이 발생하는 경우 방진 마스크를 착용하십시오.
- 대기의 상대 습도가 낮으면 정전기 충격이 흔히 발생합니다. Vac로 미세한 부스러기를 청소하면 호스나 Vac에 정전하가 축적될 수 있습니다. 가정에서, 또는 이 Vac를 사용할 때 정전기 충격 발생 빈도를 줄이려면 가습기를 사용하여 대기 습도를 높이십시오.

Vac의 모터 하우징에 표시된 다음 경고문을 따르십시오.



이중 절연됨
접지 불필요.
수리 시에는 동일한 교체 부품만
사용하십시오.

▲ 경고: 안전을 위해 사용 설명서를 읽고 이해하십시오. 작동 중인 Vac를 방치하지 마십시오. 뜨거운 재 또는 석탄이나 독성, 가연성 또는 기타 유해 물질을 청소하지 마십시오. 폭발성 액체 또는 증기 주위에서 사용하지 마십시오.

▲ 경고: 감전 위험을 줄이기 위해, 빛줄이 닿지 않게 하고 실내에 보관하십시오.

이 설명서를 보관하십시오

소개

이 습식/건식 Vac는 가정용으로 사용하거나 호텔, 사무실, 학교, 병원 및 기타 유사한 장소에서 일반적인 청소 용도로 사용하도록 설계되었습니다. 이 제품은 젖거나 마른 매개물을 진공으로 청소하는 데 사용하고 송풍기로 사용할

수 있습니다.

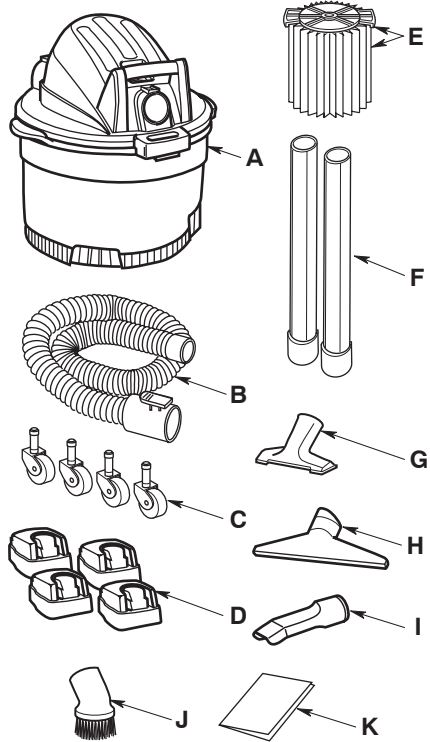
이 사용 설명서를 읽고 제품 기능을 숙지하고 새 Vac의 구체적인 사용법을 알아두십시오.

포장 풀기 및 상자 내용물 확인

상자에서 내용물을 꺼냅니다. 각 품목을 상자 내용물 목록과 대조하여 확인합니다. 누락 또는 손상된 부품이 있는 경우 www.RIDGID.com에서 당사에게 문의하십시오.

상자 내용물 목록

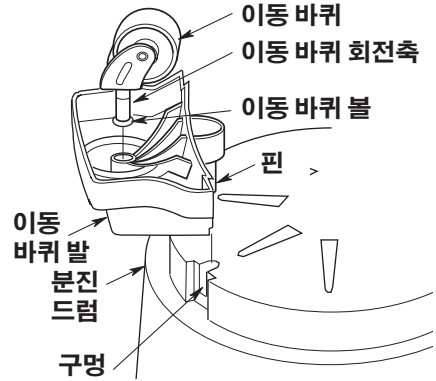
범례	설명	수량
A	습식/건식 Vac.....	1
B	장금 호스 조립체	1
C	이동 바퀴.....	4
D	이동 바퀴 발	4
E*	Qwik Lock™ 필터	1
F	연장봉.....	2
G	다용도 노즐.....	1
H	습식 노즐.....	1
I	자동차 노즐.....	1
J	먼지솔	1
K	사용 설명서.....	1



* 이 필터는 파워 헤드에 미리 조립된 상태로 제공됩니다.

이동 바퀴/이동 바퀴 발 조립

1. 분진 드럼을 거꾸로 뒤집어서 바닥에 놓습니다.
2. 그림과 같이 이동 바퀴 발을 드럼 밑에 삽입합니다(4곳).
3. 이동 바퀴 발이 분진 드럼 밑으로 완전히 들어갈 때까지 발을 밀니다.
4. 그림과 같이 이동 바퀴 회전축을 이동 바퀴 발의 구멍에 삽입합니다(4곳).
5. 회전축의 볼이 구멍에 완전히 들어갈 때까지 이동 바퀴를 밀니다. 볼이 구멍 안에 들어맞는 소리가 들리고, 위치가 맞으면 이동 바퀴가 쉽게 돌아갑니다.
6. 드럼을 똑바로 돌립니다.

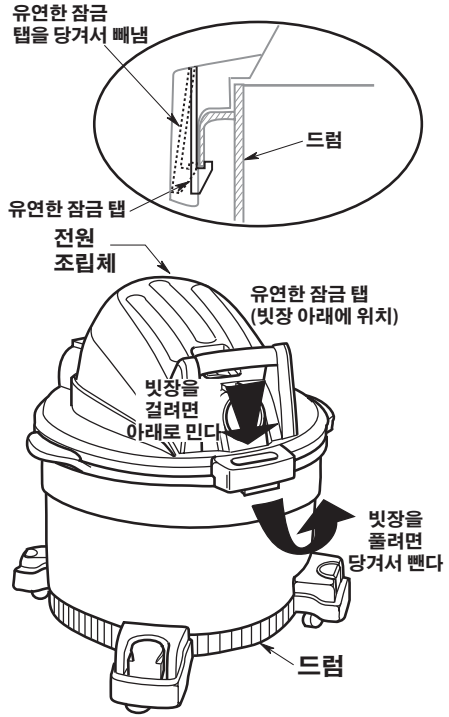


습식/건식 Vac 조립

1. 그림과 같이 파워 헤드 조립체의 앞쪽을 드럼 앞쪽에 있는 진공 포트와 정렬시킵니다.

참고: 파워 헤드 조립체를 올바르게 부착하려면 드럼과 정렬시켜야 합니다.

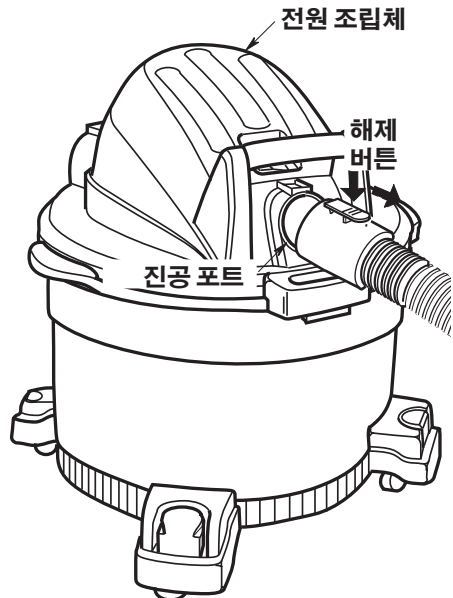
2. 파워 헤드 조립체를 드럼 위에 놓습니다.
3. 파워 헤드 조립체가 드럼 위를 완전히 덮어서 새지 않도록 합니다.
4. 손잡이 위쪽을 아래로 밀어서 유연한 잠금 탭이 드럼 가장자리에 걸리게 합니다.
5. 그림과 같이 잠금 탭이 제자리에 고정되어 뚜껑이 떨어지지 않도록 합니다.
6. 위 지침의 역순으로 파워 헤드 조립체를 제거합니다.



호스 삽입

호스의 더 큰 쪽을 진공 포트에 삽입합니다.

다용도 노즐을 호스 반대쪽에 단단히 고정시키면 Vac를 사용할 준비가 됩니다.



작동

▲ 경고: 화재, 폭발, 또는 Vac 손상 위험을 줄이기 위해,

- 작동 중인 Vac를 방치하지 마십시오. 이상 작동을 나타내는 흡입력 상실, 배기구에서 나오는 부스러기/액체, 또는 비정상적인 모터 소음 같은 중요한 증상을 보지 못할 수 있습니다. 이런 증상이 보이면 Vac 사용을 즉시 중단하십시오.
- Vac를 사용하지 않을 때 전원을 연결해 두지 마십시오.
- 플로트에 의해 흡입이 차단되면 계속 가동하지 마십시오.
- 모터 안에서 불꽃이 튀면 공중에 떠다니는 가연 물질이 점화될 수 있습니다. 가연성 액체 부근이나 가연성 기체, 증기 또는 폭발성/공중에 떠다니는 분진이 있는 장소에서 Vac를 사용하지 마십시오. 가연성 액체, 기체 및 증기의 예로는 라이터 오일, 용제형 세척제, 유성 페인트, 휘발유, 알코올 및 에어로졸 스프레이 등이 있습니다. 폭발성 분진의 예는 석탄, 마그네슘, 알루미늄, 곡물 및 화약 등입니다.
- 폭발성 분진, 가연성 액체 또는 뜨거운 재를 Vac로 빨아들이지 마십시오.

▲ 경고: 감전 또는 상해 위험을 줄이기 위해,

- 모터 부품에 빗물이 닿거나 액체가 유입되지 않게 하십시오. 실내에 보관하십시오.
- 플러그, 스위치 또는 Vac를 젖은 손으로 다루지 마십시오.
- Vac를 수리하기 전에 전원에서 분리하십시오. Vac가 올바르게 작동하지 않거나, 손상되거나, 부품이 없거나, Vac를 떨어트리거나, 실외에 방치했거나, 물에 빠트린 경우 공인 고객 서비스 센터로 반송하거나 고객 서비스부에 문의하십시오.
- 연장 코드를 사용하는 경우 상태가 양호하고 실외용으로 승인된 코드만 사용하십시오. 연결 부위가 액체에 닿지 않도록 하십시오.

전기 코드를 콘센트에 꽂은 후에 스위치를 "O" 위치에서 "I" 위치로 밀어서 Vac를 켜십시오. 스위치 작동기에 사용되는 기호는 국제적으로 통용되는 "켜짐/꺼짐" 기호입니다.

○ = 꺼짐 | = 켜짐

Vac와 동봉된 액세서리를 알아보십시오. 각 액세서리를 다양한 방법으로 사용하여 부스러기를 청소하고 바람으로 날릴 수 있습니다. 아래에는 액세서리와 각각의 용도가 나열되어 있습니다.

다용도 노즐 - 대부분의 진공 청소 용도에 사용되는 범용 노즐.

연장봉 - 연장봉을 하나로 연결해서 길이를 늘릴 수 있습니다.

잠금 호스 - 진공 또는 송풍 기능을 작업 현장으로 옮기기 위해 사용합니다. 연장봉과 노즐을 부착하는 수단이 됩니다.

습식 노즐 - 매끄러운 표면에서 한 번에 액체를 흡입하고 표면을 말리는 습식 흡입용으로 사용됩니다.

자동차 노즐 - 자동차 인테리어와 대부분의 좌석 커버를 청소하는 데 사용하는 건식 흡입 노즐.

먼지솔 - 작은 공간을 구석구석 청소하는 데 사용합니다.

작동(계속)

건조 물질 진공 청소

1. 필터가 항상 올바른 위치에 있는지 확인하여 액체가 새고 Vac가 손상될 가능성을 방지해야 합니다.
2. Vac를 사용하여 미세한 분진을 흡입하는 경우, Vac의 성능을 최적으로 유지하기 위해 더 자주 드럼을 비우고 필터를 청소해야 합니다.

참고: 말린 필터를 사용하여 건조 물질을 흡입해야 합니다. 필터가 젖었을 때 Vac를 사용하여 분진을 흡입하면 필터가 빨리 막히고 청소하기가 매우 어려워집니다.

3. 필터가 젖었지만 Vac를 사용하여 건조 물질을 흡입해야 하는 경우, 필터가 먼저 마르도록 해야 합니다.

액체 진공 청소

1. 소량의 액체(드럼 밑에 고이는 액체 3-6cm 미만)를 흡입할 때는 필터를 제자리에 놔둬도 됩니다.
2. 더 많은 양의 액체(드럼 밑에 고이는 액체 6cm 이상)를 흡입할 때는 필터를 제거하는 것이 좋습니다. 필터를 제거하지 않으면 흠뻑 젖어서 배출물에 연무가 보일 수 있습니다.
3. 드럼 안의 액체가 미리 정해진 높이에 도달하면 플로트 장치가 자동으로 위로 올라가서 공기 흐름을 차단합니다. 흡입이 멈추고 모터 속도가 빨라져서 소음의 음높이가 높아지기 때문에 플로트가 위로 올라갔다는 것을 알 수 있습니다. 이렇게 되면 Vac를 끄고 전기 코드를 뽑고 드럼을 비우십시오.
4. Vac를 사용하여 액체를 흡입한 후에는 필터를 말려서 필터에 곰팡이나 손상이 발생할 가능성을 방지해야 합니다.

중요: Vac 손상 위험을 줄이기 위해, 플로트가 위로 떠오른 상태에서 Vac를 가동하지 마십시오.

드럼 비우기

▲ 경고: 실수로 청소기를 시작하여 다칠 수 있는 위험을 줄이기 위해, 드럼을 비우기 전에 전기 코드를 뽑으십시오.

1. 뚜껑을 제거합니다. 뚜껑 양쪽의 유연한 빗장을 밖으로 당겨서 드럼에서 분리합니다.
2. 빗장을 잡아서 밖으로 꺼낸 상태에서 상부 조립체를 위로 들어서 드럼에서 떨어뜨립니다.
3. 상부 조립체를 뒤집어서 깨끗한 장소에 내려놓고 드럼을 비우거나 필터를 교체합니다.
4. 드럼 내용물을 적절한 폐기물 용기에 버립니다.

▲ 경고: 등 부상 또는 낙상 위험을 줄이기 위해, 액체나 부스러기로 가득 찬 무거운 Vac를 들어올리지 마십시오. Vac를 쉽게 들어올릴 수 있을 만큼 내용물을 퍼내거나 빼내십시오.

습식/건식 Vac 옮기기

Vac를 들어올려서 옮겨야 하는 경우에는 분진 드럼이 비어있지 않은 한 뚜껑 손잡이를 잡고 Vac를 들어올리지 마십시오. Vac를 떨어트리면 빗장이 풀어지거나 부품이 부러질 수 있으므로 이를 방지하기 위해 분진 드럼을 잡고 Vac를 들어올리십시오.

작동(계속)

송풍 기능

습식/건식 Vac에는 "전력 송풍" 기능이 있습니다. 이 기능으로 톱밥 및 기타 부스러기를 바람으로 날려보낼 수 있습니다. Vac를 송풍기로 사용하려면 아래 절차를 따르십시오.

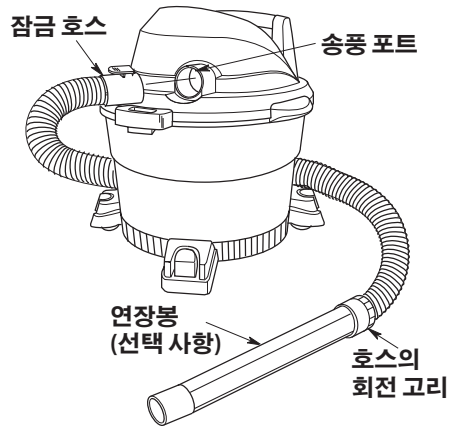
▲ 경고: 송풍기로 사용하기 전에 항상 안전경을 착용하십시오.

▲ 경고: 주변 사람이 다칠 위험을 줄이기 위해, 바람에 날리는 부스러기에 가까이 오지 않게 하십시오.

▲ 주의: 송풍 시에 흡입할 수 있는 분진이 발생하면 방진 마스크를 착용하십시오.

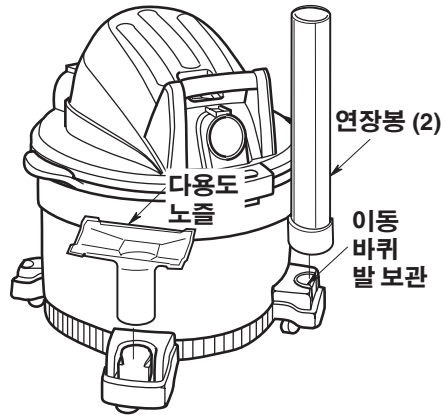
▲ 주의: 청각 손상 위험을 줄이기 위해, Vac/송풍기를 오랜 시간 동안 사용하거나 시끄러운 장소에서 사용할 때는 청각 보호 장치를 착용하십시오.

1. 습식/건식 Vac의 송풍 포트를 찾습니다.
2. 호스의 잠금 쪽을 Vac의 송풍 포트에 삽입합니다.
3. (선택 사항) 연장봉을 호스의 회전 고리 쪽에 연결합니다.
4. Vac를 켜면 Vac를 송풍기로 사용할 준비가 됩니다.



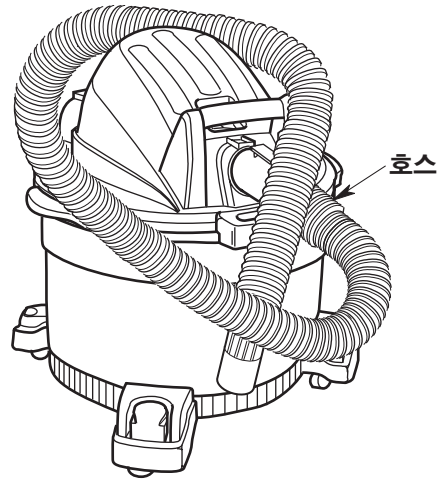
액세서리 보관 방법

1. 연장봉과 액세서리를 이동 바퀴 발의 기둥 위로 밀어서 보관합니다.
2. 봉과 액세서리를 분리하려면 위쪽으로 살짝 돌려서 뺍니다.



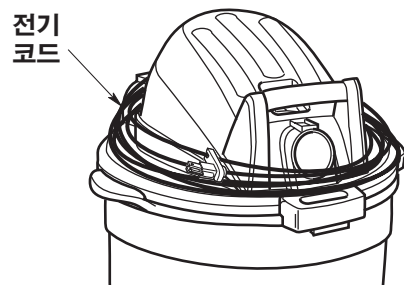
호스 보관

그림과 같이 호스를 입구에 삽입한 후 호스를 파워 헤드에 돌려 감고 호스에 다시 삽입합니다.



코드 보관

간단히 전기 코드를 파워 헤드에 돌려 감고, 감긴 코드에 플러그 커넥터를 꽂아 넣습니다.



유지보수

필터

⚠ 경고: 실수로 청소기를 시작하여 다칠 수 있는 위험을 줄이기 위해, 필터를 교체 또는 청소하기 전에 전기 코드를 뽑으십시오.

참고: 필터는 작은 분진 입자를 차단하도록 고안된 고품질 종이로 만들었습니다. 이 필터는 건조 물질이나 소량의 액체를 흡입하는 데 사용될 수 있습니다. 필터를 제거하거나 설치할 때는 주의하여 다루십시오. 설치 시에 필터 주름에 금이 생길 수 있지만, 필터 성능에는 영향을 미치지 않습니다.

Qwik Lock™ 필터 제거 및 설치

필터 제거:

1. Qwik Lock™ 필터의 필터 탭을 양손으로 하나씩 잡습니다.
2. 한 쪽 엄지를 내장 필터판을 통해 돌출된 Qwik Lock™ 스테드에 올려 놓은 상태로 스테드를 아래로 밀면서 필터 탭을 위로 들어올립니다.
3. 이렇게 하면 필터가 필터 케이지에서 분리됩니다. 필터를 밀어서 케이지에서 분리하십시오.

중요: 송풍기 휠 및 모터의 손상을 방지하기 위해, Vac를 사용하여 건조 물질을 흡입하기 전에 항상 필터를 다시 설치하십시오.

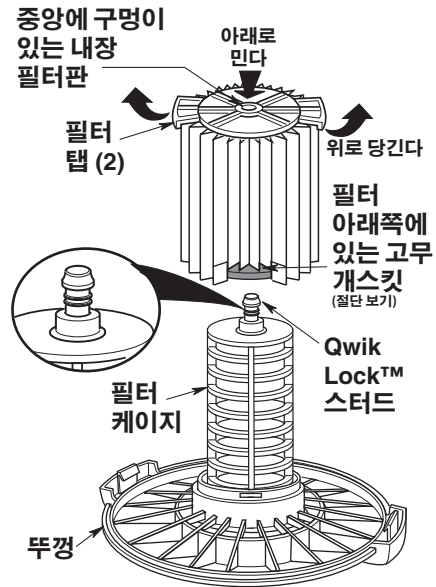
필터 설치:

1. Qwik Lock™ 필터를 조심스럽게 필터 케이지 위로 밀고, 필터 아래쪽에 있는 고무 개스킷이 필터 케이지 기판을 둘러싸고 뚜껑 쪽에 단단히 고정될 때까지 필터의 바깥쪽 가장자리를 아래로 누릅니다.

2. 필터 위쪽의 중앙에 있는 작은 구멍을 필터 케이지의 Qwik Lock™ 스테드 위에 정렬시킵니다. 필터가 스테드 끝의 볼 위에 고정될 수 있도록 스테드 부근의 필터 위쪽을 세게 누릅니다. 이제 필터가 부착되었습니다.

참고: 아래쪽 개스킷을 올바르게 고정시키지 않으면 부스러기가 필터를 통과할 수 있습니다.

⚠ 경고: 액체가 임펠러에 유입되고 모터를 손상시키는 것을 방지하는 필터 케이지 또는 플로트 없이 사용하지 마십시오.



유지보수(계속)

필터 청소

Vac 성능을 최고로 유지하려면 필터를 자주 청소해야 합니다.

보관하거나 마른 부스러기를 청소하기 전에 필터가 마르도록 놔두십시오.

마른 필터 청소

1. Vac에서 필터를 제거하지 않고도 마른 부스러기를 일부 제거할 수 있습니다. Vac가 꺼진 상태에서 뚜껑 위를 손바닥으로 치십시오.
2. 필터에는 분진이 쌓여 있으므로 넓은 장소에서 필터를 청소하는 것이 가장 좋습니다. 청소는 생활 구역이 아닌 실외에서 해야 합니다.
3. 필터를 Vac에서 제거한 후 필터를 분진 드럼의 안쪽 벽에 가볍게 두드려서 마른 부스러기를 제거합니다. 부스러기가 분리되어 아래로 떨어집니다.
4. 미세 분진이 있는 건조 필터(부스러기 없음)를 충분히 청소하기 위해, “젖은 필터 청소” 부분의 설명에 따라 필터를 흐르는 물로 청소합니다.

젖은 필터 청소

필터를 제거한 후 호스 또는 물꼭지에서 흐르는 물로 필터를 청소합니다. 호스 수압이 너무 세서 필터가 손상되는 경우가 발생하지 않도록 주의하십시오.

중요: 청소 후에 필터에 찢어진 부분이나 작은 구멍이 없는지 확인하십시오. 구멍이 나거나 찢어진 필터를 사용하지 마십시오. 작은 구멍이 있어도 Vac에서 먼지가 많이 나올 수 있습니다. 필터를 즉시 교체하십시오.

필터가 마르게 놔둔 후에 필터를 다시 설치하고 Vac를 보관하십시오.

습식/건식 Vac 청소 및 살균

습식/건식 Vac의 외관을 최상으로 유지하기 위해, 따뜻하고 연한 비눗물을 적신 천으로 제품 외면을 닦으십시오.

드럼 청소 방법:

1. 부스러기를 밖에 부어서 버립니다.
 2. 따뜻하고 연한 비눗물로 드럼을 잘 닦습니다.
 3. 마른 천으로 물기를 제거합니다.
- 오래 보관하기 전이나 필요할 때(폐기물 흡입 등) 드럼을 소독해야 합니다.

드럼 소독 방법:

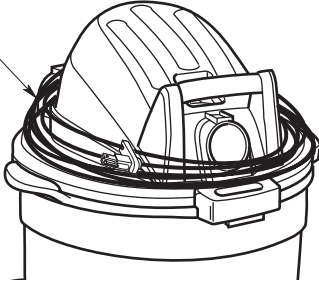
1. 물 4L와 염소 표백제 5mL를 드럼에 부어 넣습니다.
2. 용액을 몇 분마다 서서히 저어서 드럼의 내부 표면이 모두 젖도록 하면서 20분 동안 놔둡니다.
3. 20분 후에 드럼을 비웁니다. 표백제 냄새가 없어질 때까지 물로 헹굽니다. 드럼이 완전히 마르도록 놔둔 후에 모터를 드럼에 밀폐합니다.

유지보수(계속)

코드 유지관리

진공 청소를 마치면 코드를 뽑고 모터 커버에 돌려 감으십시오. 전기 코드가 손상될 경우, 사고 위험을 줄이기 위해 제조업체 또는 제조업체의 서비스 대리인이나 유사한 자격을 갖춘 사람이 교체해야 합니다.

전기
코드



보관

Vac를 보관하기 전에 분진 드럼을 비우고 청소해야 합니다. 전기 코드를 기기에 돌려 감아야 합니다. 액세서리는 즉시 사용할 수 있도록 Vac와 같은 장소에 보관해야 합니다. Vac는 실내에 보관해야 합니다.

이동 바퀴

이동 바퀴에서 소음이 나면 롤러 축에 오일을 한 방울 떨어뜨려서 소음을 줄일 수 있습니다.

▲ 경고: 제품의 안전성과 안정성을 보장하기 위해, 기타 모든 유지보수, 수리 및 조정 작업은 공인 서비스 센터에서 RIDGID 교체 부품을 사용하여 수행해야 합니다.

수리 부품

RIDGID 22.5리터 습식/건식 Vac
 모델 번호 WD0655AU0 / WD0655KR0 / WD0655ND0

전기 규격:


220 - 230V, 4A, 50/60Hz.

리지드 공식 대리점에서 구입할 수 있습니다.

항상 범례 번호가 아닌 부품 번호를 사용하여 주문하십시오

▲ 경고

이중 절연 습식/건식 Vac 수리

이중 절연 습식/건식 Vac에는 접지 대신 두 가지 절연 시스템이 있습니다. 이중 절연 기기에는 접지 수단이 없으며, 접지 수단을 추가해서도 안 됩니다. 이중 절연 습식/건식 Vac을 수리하려면 시스템에 대한 고도의 주의와 지식이 필요하며, 유자격 수리 인력만 수리 작업을 수행해야 합니다. 이중 절연 습식/건식 Vac의 교체 부품은 교체 대상 부품과 동일해야 합니다. 이중 절연 건식/습식 Vac에는 “DOUBLE INSULATED”이라는 문구가 표시되어 있으며,  기호(사각형 안의 사각형)도 기기에 표시되어 있을 수 있습니다.

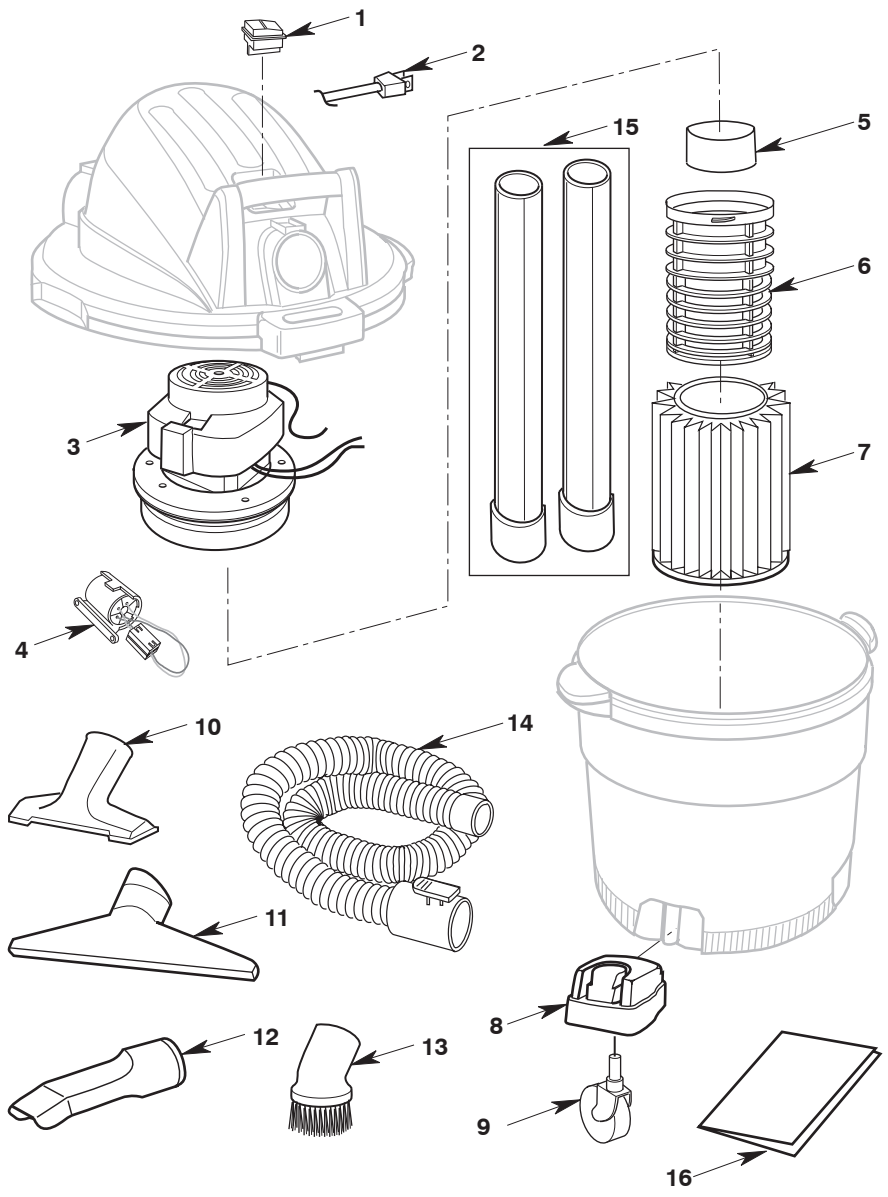
감전으로 인한 상해 위험을 줄이기 위해, 건식/습식 Vac의 전기 부품을 수리하기 전에 전기 코드를 뽑으십시오.

범례 번호	부품 번호	설명
1	833879	스위치
2	840534	코드 조립체(WD0655AU0)
2	840446-1	코드 조립체(WD0655KR0 & WD0655ND0)
3	833880	모터 조립체
4	510395	전기 필터 및 도선
5	509488	플로트
6	833521	필터 케이지
7	VF4000	† Qwik Lock™ 필터
8	832084	이동 바퀴 발
9	331605	이동 바퀴
10	VT1709	† 다용도 노즐
11	VT1710	† 습식 노즐
12	VT1781	† 자동차 노즐
13	VT1702	† 먼지솔
14	VT1720	잠금 호스 조립체
15	VT1708	† 연장봉
16	SP6983	사용 설명서

† 해당 교체 부품은 Vac를 구입한 곳에서 판매 가능합니다.

수리 부품(계속)

RIDGID 22.5리터 습식/건식 Vac
모델 번호 WD0655AU0 / WD0655KR0 / WD0655ND0
리지드 공식 대리점에서 구입할 수 있습니다.





품질, 내구성 및 신뢰성의 상징

카탈로그 번호 WD0655AU0, WD0655KR0, WD0655ND0

모델 번호 WD0655AU0, WD0655KR0, WD0655ND0

일련 번호 _____

모델 및 일련 번호는 Vac의 코드 삽입구 부근에 있습니다.

모델 및 일련 번호를 기록하여 나중에 사용할 수 있도록 안전한 장소에 보관해야 합니다.



EMERSON™

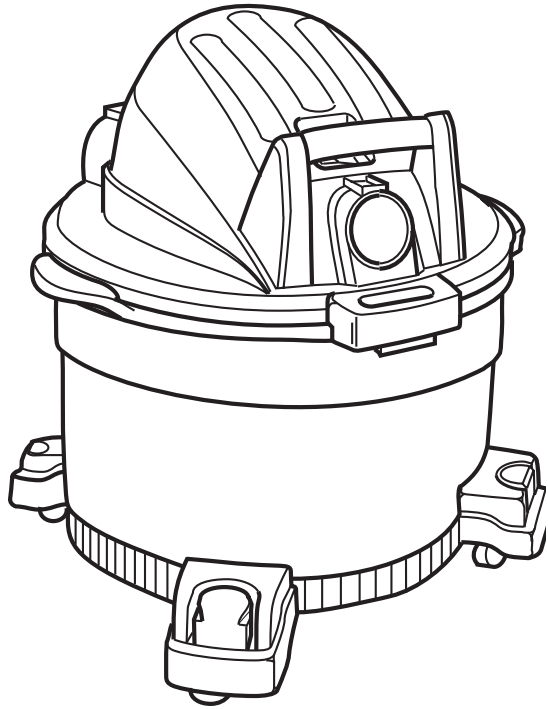
www.RIDGID.com

© 2016 Emerson

RIDGID®

**PANDUAN bagi Pemilik
VAC WET/DRY 22,5 LITER**

**WD0655AU0
WD0655KR0
WD0655ND0**



**UNTUK PERTANYAAN ATAU INFORMASI, HUBUNGI KAMI DI
www.RIDGID.com**

⚠ PERINGATAN:

Untuk mengurangi risiko cedera, pengguna harus membaca dan memahami panduan bagi pemilik sebelum menggunakan produk ini.

Terima kasih Anda telah membeli produk RIDGID.

- English – Page 1
- 한국어 – 17페이지
- Bahasa Indonesia – Halaman 33

SIMPAN PANDUAN INI UNTUK REFERENSI DI MASA MENDATANG.

Daftar Isi

Bab	Halaman	Bab	Halaman
Petunjuk Keselamatan Penting	34	Memindahkan Vac Wet/Dry	40
Pendahuluan	36	Fitur Hembusan	41
Membongkar dan Memeriksa		Menyimpan Aksesori	42
Isi Karton	36	Pemeliharaan	43-45
Kastor/Unit Kaki Kastor	37	Filter	43
Unit Vac Wet/Dry	38	Pelepasan dan Pemasangan Filter	
Pengoperasian	39-41	Filter Qwik Lock	43
Menyedot Bahan Kering	40	Penyimpanan	45
Menyedot Cairan	40	Kastor	45
Mengosongkan Drum	40	Memperbaiki Komponen	46-47

PETUNJUK KESELAMATAN PENTING

Keselamatan adalah kombinasi dari menggunakan akal sehat, tetap waspada, dan mengetahui cara kerja Vacuum Cleaner ("Vac") Wet/Dry.

Kata-kata Sinyal Keselamatan

▲ BAHAYA: Menunjukkan situasi berbahaya yang, jika tidak dihindari, akan menyebabkan kematian atau cedera serius.

▲ PERINGATAN: Menunjukkan situasi berbahaya yang, jika tidak dihindari, dapat menyebabkan kematian atau cedera serius.

▲ PERHATIAN/HATI-HATI: Menunjukkan situasi berbahaya yang, jika tidak dihindari, dapat menyebabkan cedera ringan atau sedang.

Saat menggunakan Vac, selalu ikuti tindakan pencegahan keselamatan dasar, termasuk yang berikut ini:

▲ PERINGATAN

▲ Untuk mengurangi risiko kebakaran, kejutan listrik, atau cedera:

- Baca dan pahami panduan ini serta semua label pada Vac Wet/Dry sebelum mengoperasikan.
- Gunakan hanya sesuai yang dijelaskan di panduan ini.
- Jangan meninggalkan Vac beroperasi tanpa pengawasan - Anda mungkin tidak melihat tanda-tanda penting yang menunjukkan pengoperasian abnormal seperti hilangnya daya hisap, kotoran/cairan keluar dari pembuangan, atau suara motor yang abnormal. Segera hentikan penggunaan Vac jika Anda melihat tanda-tanda tersebut.
- Jangan meninggalkan Vac saat dicolokkan.

Cabut dari stopkontak bila tidak digunakan dan sebelum menyervis.


- Percikan api di dalam motor dapat menyalakan uap yang mudah terbakar atau debu. Untuk mengurangi risiko kebakaran atau ledakan, jangan gunakan di dekat cairan, gas, atau debu yang mudah terbakar, seperti bensin atau bahan bakar lainnya, cairan ringan, pembersih, cat minyak, gas alam, debu batubara, debu magnesium, debu gandum, debu aluminium, atau bubuk mesiu.
- Jangan menyedot apa pun yang terbakar atau berasap, seperti rokok, korek api, atau abu panas.
- Jangan menyedot debu dinding kering, abu tungku dingin, atau debu halus lainnya dengan filter standar. Bahan-bahan ini dapat melewati filter dan dikeluarkan kembali ke udara. Gunakan filter debu halus sebagai gantinya.
- Untuk mengurangi risiko menghirup uap beracun, jangan menyedot atau menggunakan di dekat bahan beracun atau berbahaya.
- Untuk mengurangi risiko kejutan listrik, jangan terpapar hujan atau membiarkan cairan masuk ke ruang motor. Simpan di dalam ruangan.
- Vacuum ini tidak dimaksudkan untuk digunakan oleh orang-orang (termasuk anak-anak) yang menderita cacat tubuh, cacat indera atau mental, atau orang yang kurang atau tidak memiliki pengalaman dan pengetahuan, kecuali apabila mereka diawasi atau diberi petunjuk penggunaan oleh orang yang bertanggung jawab atas keselamatan mereka.

- Jangan bolehkan Vac digunakan sebagai mainan. Perhatikan dengan seksama saat digunakan oleh atau di dekat anak-anak.
- Jangan gunakan dengan filter robek atau tanpa terpasang filter kecuali saat menyedot cairan seperti yang dijelaskan dalam panduan ini. Kotoran kering yang masuk ke baling-baling dapat merusak motor atau dikeluarkan ke udara.
- Matikan Vac sebelum mencabut stekernya.
- Untuk mengurangi risiko cedera dari hidup tiba-tiba, cabut kabel listrik sebelum mengganti atau membersihkan filter.
- Jangan mencabut dengan menarik kabel. Untuk mencabut, genggam steker, bukan kabelnya.
- Jangan gunakan kabel listrik, steker, atau stopkontak yang rusak. Jika Vac tidak bekerja sebagaimana mestinya, komponen hilang, terjatuh, rusak, dibiarkan di luar ruangan, atau jatuh ke dalam air, hubungi layanan pelanggan.
- Jangan menarik atau membawa kabel, menggunakan kabel sebagai pegangan, menutup pintu di atas kabel, atau menarik kabel di sekitar tepi atau sudut yang tajam. Jangan sampai Vac melindas kabel. Jauhkan kabel dari permukaan yang panas.
- Jangan memegang steker, sakelar, atau Vac dengan tangan basah.
- Gunakan hanya kabel perpanjangan khusus untuk penggunaan di luar ruangan. Kabel perpanjangan dalam kondisi buruk atau terlalu kecil seukuran kawat dapat menimbulkan bahaya kebakaran dan sengatan listrik. Untuk mengurangi risiko bahaya ini, pastikan kabel dalam kondisi baik dan cairan tidak terkena sambungan. Jangan gunakan kabel perpanjangan dengan konduktor lebih kecil dari 1,3 mm² (16 AWG). Untuk mengurangi hilangnya daya, jangan gunakan kabel perpanjangan dengan konduktor lebih kecil dari 2,1 mm² (14 AWG) jika panjangnya lebih dari 30 m (100 kaki).
- Vac Wet/Dry diinsulasi dua kali, menghilangkan kebutuhan untuk sistem pemasangan arde terpisah. Gunakan hanya suku cadang yang sama. Baca petunjuk untuk Menyervis Vac Wet/Dry Insulasi-Ganda sebelum menyervis.
- Jangan memasukkan benda apa pun ke dalam lubang ventilasi. Jangan menyedot dengan lubang ventilasi tertutup; tetap bebaskan dari debu, serat, rambut atau apa pun yang dapat mengurangi aliran udara.
- Jauhkan rambut, pakaian longgar, jari, dan seluruh bagian tubuh dari lubang dan komponen bergerak.
- Untuk mengurangi risiko jatuh, berhati-hatilah saat membersihkan di tangga.
- Untuk mengurangi risiko cedera punggung atau jatuh, jangan mengangkat Vac yang penuh dengan cairan atau kotoran. Kosongkan sebagian Vac dengan mengeluarkan kotoran atau membuang cairan agar nyaman diangkat.
- Untuk mengurangi risiko cedera atau kerusakan Vac, gunakan hanya aksesoris Ridgid yang direkomendasikan.
- Saat menggunakan sebagai blower:
 - Arahkan pembuangan udara hanya di area kerja.
 - Jangan mengarahkan udara pada orang lain.
 - Jauhkan anak-anak saat menghembuskan udara.
 - Jangan gunakan blower untuk setiap pekerjaan kecuali menghembuskan kotoran.
 - Jangan gunakan sebagai alat penyemprot.
- Untuk mengurangi risiko cedera mata, pakailahacamata pelindung. Pengoperasian setiap Vac utilitas atau blower dapat menyebabkan benda asing tertiuip ke mata, yang dapat mengakibatkan kerusakan mata yang parah.

▲ PERHATIAN:

- Untuk mengurangi risiko kerusakan pendengaran, pakailah pelindung telinga ketika menggunakan untuk waktu yang lama atau di area yang bising.
- Untuk pengoperasian berdebu, pakailah masker debu.
- Guncangan statis sering terjadi saat kelembapan relatif udara rendah. Menyedot kotoran halus dengan Vac dapat menyimpan muatan statis pada selang atau Vac. Untuk mengurangi frekuensi guncangan statis di rumah atau saat menggunakan Vac ini, tambahkan kelembapan ke udara dengan alat pelembab.

Perhatikan peringatan berikut yang terdapat di kerangka mesin Vac:

 **INSULASI GANDA PEMASANGAN ARDE TIDAK DIPERLUKAN. SAAT MENYERVIS, GUNAKAN HANYA SUKU CADANG YANG SAMA.**

▲ PERINGATAN: Demi keselamatan diri Anda, baca dan pahami panduan bagi pengguna. Jangan menjalankan tanpa pengawasan. Jangan menyedot abu panas, batu bara, juga bahan beracun, mudah terbakar dan berbahaya lainnya. Jangan digunakan di sekitar cairan atau uap yang mudah meledak.

▲ PERINGATAN: Untuk mengurangi risiko kejutan listrik – jangan terpapar hujan – simpan di dalam ruangan.

SIMPAN PANDUAN INI

Pendahuluan

Vac Wet/Dry ini dimaksudkan untuk penggunaan rumah tangga dan untuk tujuan pengelolaan rumah tangga di hotel, kantor, sekolah, rumah sakit dan lingkungan sejenis. Vac Wet/Dry dapat digunakan untuk menyedot media basah atau kering dan dapat digunakan sebagai blower.

Baca panduan bagi pemilik ini untuk mengenali fitur produk dengan baik dan memahami penggunaan spesifik Vac baru Anda.

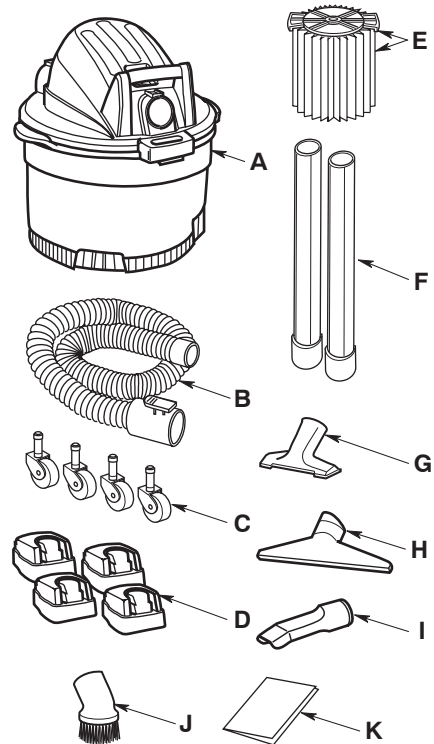
Membongkar dan Memeriksa Isi Karton

Keluarkan isi karton. Periksa setiap item dengan Daftar Isi Karton. Jika ada bagian yang hilang atau rusak, hubungi kami di www.RIDGID.com.

Daftar Isi Karton

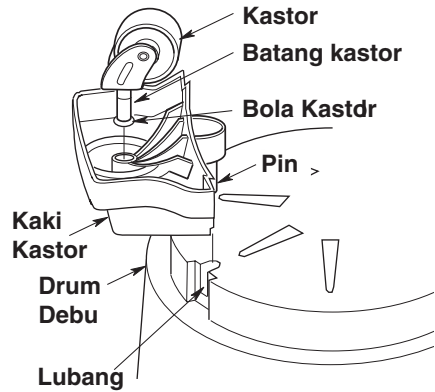
Kunci	Deskripsi	Jumlah
A	Vac Wet/Dry	1
B	Unit Selang Pengunci	1
C	Kastor	4
D	Kaki Kastor dengan Penyimpanan	4
E*	Filter Qwik Lock™	1
F	Tongkat Perpanjangan	2
G	Nosel Utilitas	1
H	Nosel Basah	1
I	Nosel Mobil	1
J	Kemoceng	1
K	Panduan bagi Pemilik	1

* Filter sudah dipasang ke pompa sebelumnya.



Kastor/Unit Kaki Kastor

1. Membalik drum debu di lantai.
2. Masukkan kaki kastor ke bagian bawah drum, seperti yang ditunjukkan (4 tempat).
3. Dorong kaki kastor sampai kaki rata dengan bagian bawah drum debu.
4. Masukkan batang kastor ke dalam soket kaki kastor, seperti yang ditunjukkan (4 tempat).
5. Dorong kastor sampai bola di batang kastor masuk ke dalam soket. Anda akan mendengar bola terkunci di dalam soket dan kastor akan berputar dengan mudah ketika posisi sudah benar.
6. Tegakkan drum.

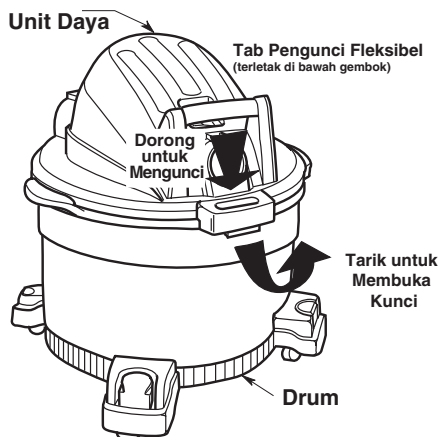
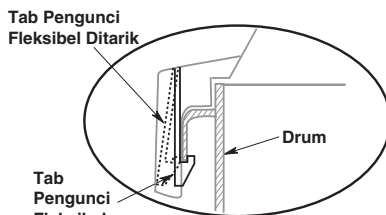


Unit Vac Wet/Dry

1. Luruskan bagian depan unit kepala steker dengan sisi vacuum yang berada di depan drum, seperti yang ditunjukkan.

CATATAN: Unit pompa harus lurus dengan drum agar terpasang dengan baik.

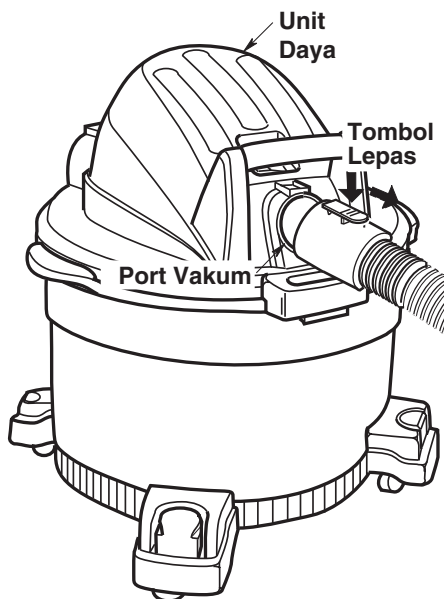
2. Letakkan unit pompa di atas drum.
3. Pastikan unit pompa sepenuhnya menutupi bagian atas drum sehingga tidak terjadi kebocoran.
4. Tekan bagian atas handel agar label pengunci yang fleksibel bisa terkait di bibir drum.
5. Pastikan label pengunci sudah kencang di tempatnya seperti gambar, untuk mencegah penutup terlepas.
6. Untuk melepas rangkaian pompa, putar ke arah sebaliknya.



Memasang Selang

Pasang ujung selang yang besar ke port vacuum.

Letakkan nosel utilitas dengan kencang di ujung selang satunya dan vacuum siap digunakan.



Pengoperasian

⚠ PERINGATAN: Untuk mengurangi risiko kebakaran, ledakan, atau kerusakan Vac:

- Jangan meninggalkan Vac beroperasi tanpa pengawasan - Anda mungkin tidak melihat tanda-tanda penting yang menunjukkan pengoperasian abnormal seperti hilangnya daya hisap, kotoran/cairan keluar dari pembuangan, atau suara motor yang abnormal. Segera hentikan penggunaan Vac jika Anda melihat tanda-tanda tersebut.
- Jangan meninggalkan Vac dicolokkan saat tidak digunakan.
- Jangan terus mengoperasikan saat float telah berhenti menghisap.
- Percikan di dalam mesin dapat memicu udara yang mudah terbakar. Jangan mengoperasikan Vac di dekat cairan yang mudah terbakar atau di area dengan gas yang mudah terbakar, uap, atau debu udara yang mudah meledak. Cairan, gas, dan uap yang mudah terbakar meliputi: cairan ringan, pembersih berjenis larutan, cat minyak, bensin, alkohol, dan alat penyemprot aerosol. Debu yang mudah meledak meliputi: batubara, magnesium, aluminium, biji-bijian, dan mesiu.
- Jangan menyedot debu yang mudah meledak, cairan mudah terbakar, atau abu panas.

⚠ PERINGATAN: Untuk mengurangi risiko kejutan listrik atau cedera:

- Jangan terpapar hujan atau cairan masuk ke kompartemen mesin. Simpan di dalam ruangan.
- Jangan memegang steker, sakelar, atau Vac dengan tangan basah.
- Cabut Vac sebelum menyervis. Jika Vac tidak bekerja sebagaimana mestinya, telah hilang komponen, jatuh, rusak, dibiarkan di luar ruangan, atau jatuh ke dalam air, kembalikan ke pusat layanan resmi atau hubungi layanan pelanggan.
- Bila menggunakan kabel perpanjangan, hanya gunakan kabel khusus-luar ruangan yang berada dalam kondisi baik. Jangan sampai sambungan menyentuh cairan.

Setelah mencolokkan kabel listrik ke stopkontak, hidupkan unit dengan menekan sakelar dari posisi "O" ke posisi "I". Simbol yang digunakan di pada aktuator sakelar adalah simbol "On & Off" internasional.

 = MATI | = HIDUP

Kenali dengan baik aksesoris yang disertakan bersama vacuum. Setiap aksesoris dapat digunakan untuk menyedot debu dan menghembuskan kotoran. Berikut adalah daftar aksesoris dan kegunaannya.

Nosel Utilitas – Nosel tujuan umum untuk sebagian besar aplikasi penyedotan.

Tongkat Perpanjangan – Tongkat ini dapat disambungkan bersama dan memberikan panjang tambahan.

Selang Pengunci – Memindahkan vacuum atau kemampuan hembusan ke lokasi kerja. Menyediakan alat untuk memasang tongkat perpanjangan dan nosel.

Nosel Basah – Digunakan untuk penyedotan basah pada permukaan halus untuk menyedot cairan dan mengeringkan permukaan sekaligus.

Nosel Mobil – Nosel penyedot kering untuk interior mobil dan sebagian besar pembersih jok.

Kemoceng – Digunakan untuk pembersihan terinci di ruang yang kecil.

Pengoperasian (lanjutan)

Menyedot Bahan Kering

1. Filter ini harus selalu berada di posisi yang tepat untuk mencegah kebocoran dan kemungkinan kerusakan pada vacuum.
2. Saat menggunakan Vac untuk menyedot debu yang sangat halus, Anda perlu mengosongkan drum dan membersihkan filter dengan interval yang lebih sering untuk menjaga performa puncak Vac.

CATATAN: Pengambilan bahan kering harus menggunakan filter yang kering. Jika Anda menggunakan Vac untuk menyedot debu dengan filter basah, filter akan tersumbat dengan cepat dan sangat sulit untuk dibersihkan.

3. Jika filter basah tapi Anda perlu menggunakan Vacuum untuk mengambil bahan kering, Anda harus membiarkannya kering terlebih dulu.

Menyedot Cairan

1. Ketika mengambil sedikit cairan (kurang dari 3-6 cm cairan di bagian dasar drum), filter boleh tetap dipasang.
2. Saat menyedot banyak cairan (lebih dari 6 cm cairan di bagian bawah drum) kami menyarankan agar filter dilepas. Jika filter tidak dilepas, maka akan menjadi jenuh dan kabut dapat muncul di pembuangan.
3. Saat cairan dalam drum mencapai tingkat yang telah ditentukan, mekanisme float akan naik secara otomatis untuk menghentikan aliran udara. Anda akan tahu bahwa float telah naik karena isapan berhenti dan kebisingan mesin akan menjadi lebih tinggi, karena peningkatan kecepatan motor. Jika hal ini terjadi, matikan Vac, cabut kabel listrik, dan kosongkan drum.
4. Setelah menggunakan Vac untuk menyedot cairan, filter harus dikeringkan untuk menghindari kemungkinan jamur dan kerusakan filter.

PENTING: Untuk mengurangi risiko kerusakan pada Vac, jangan operasikan Vac dengan float dalam posisi terangkat.

Mengosongkan Drum

⚠ PERINGATAN: Untuk mengurangi risiko cedera dari hidup-tiba-tiba, cabut kabel listrik sebelum mengosongkan drum.

1. Lepas tutup. Tarik kait fleksibel pada setiap sisi tutup untuk melepaskan dari drum.
2. Sambil menahan kait, angkat unit atas dan jauhkan dari drum.
3. Letakkan unit atas dengan posisi terbalik di area yang bersih saat mengosongkan drum atau mengganti filter.
4. Buang isi drum ke dalam wadah pembuangan limbah yang baik.

⚠ PERINGATAN: Untuk mengurangi risiko cedera punggung atau jatuh, jangan mengangkat Vac yang penuh dengan cairan atau kotoran. Keluarkan atau buang isinya agar Vac cukup ringan untuk diangkat dengan nyaman.

Memindahkan Vac Wet/Dry

Apabila harus mengangkat Vacuum untuk dipindah, JANGAN mengangkat Vacuum pada handel penutup kecuali drum debu kosong. Untuk mencegah Vacuum jatuh karena gerendel terlepas atau kemungkinan komponen pecah, angkat Vacuum pada drum debunya.

Pengoperasian (lanjutan)

Fitur Hembusan

Vac Wet/Dry Anda memiliki “Hembusan Penuh”. Ini dapat menghembuskan serbuk kayu dan kotoran lainnya. Ikuti langkah-langkah di bawah ini untuk

⚠ PERINGATAN: Selalu pakai kacamata pelindung sebelum menggunakannya sebagai blower.

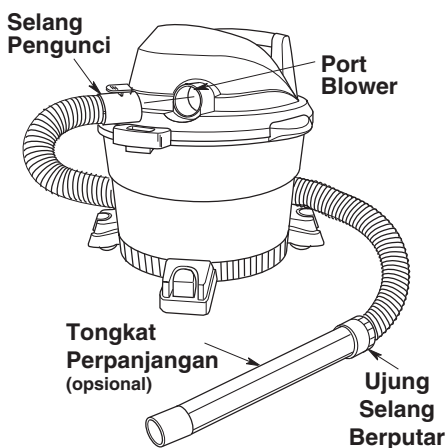
⚠ PERINGATAN: Untuk mengurangi risiko cedera orang lain, jauhkan mereka dari kotoran yang berhembus.

⚠ PERHATIAN: Pakailah masker debu jika hembusan mengeluarkan debu yang mungkin terhirup.

⚠ PERHATIAN: Untuk mengurangi risiko kerusakan pendengaran, pakailah pelindung telinga ketika menggunakan Vac/Blower untuk waktu yang lama atau di area yang bising.

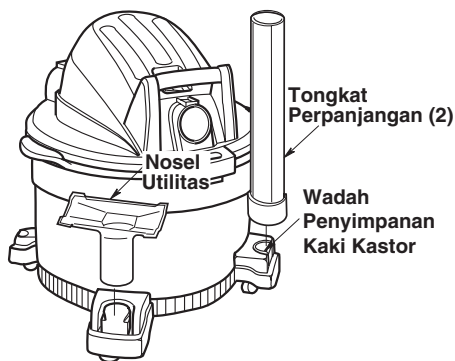
menggunakan Vac sebagai blower.

1. Cari port blower (hembusan) pada Wet/Dry.
2. Masukkan ujung pengunci selang ke port hembusan Vac.
3. (Opsional) Pasang tongkat perpanjangan untuk memutar ujung selang.
4. Hidupkan Vac dan Anda siap untuk menggunakan Vac sebagai blower.



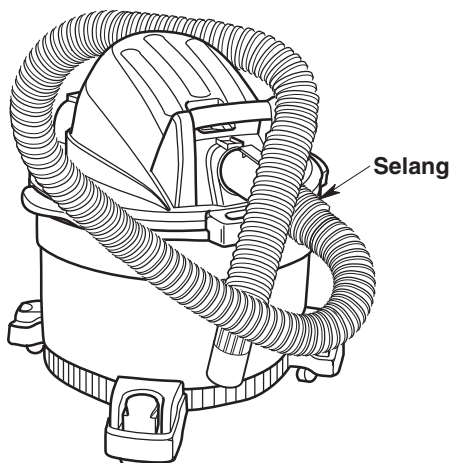
Menyimpan Aksesori

1. Geser tongkat perpanjangan dan aksesoris ke kaki kastor untuk penyimpanan.
2. Untuk melepas tongkat dan aksesoris, sedikit putar dan tarik ke atas.



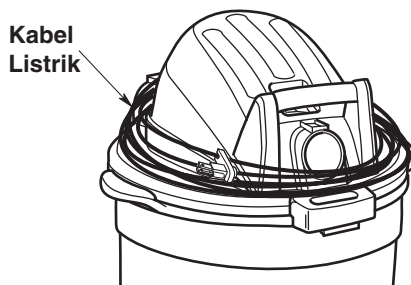
Penyimpanan Selang

Masukkan selang ke dalam lubang, kemudian bungkus selang di sekitar kepala steker dan kembali ke selang seperti yang ditunjukkan.



Penyimpanan Kabel

Cukup, dengan membungkus kabel listrik di sekitar kepala steker dan masukkan konektor pada steker untuk membungkus kabel.



Pemeliharaan

Filter

⚠ PERINGATAN: Untuk mengurangi risiko cedera dari hidup tiba-tiba, cabut kabel listrik sebelum mengganti atau membersihkan filter.

CATATAN: Filter dibuat dari kertas berkualitas tinggi yang dirancang untuk menghentikan partikel debu kecil. Filter dapat digunakan untuk menyedot benda kering atau sedikit cairan. Pegang filter dengan hati-hati saat melepas atau memasangnya. Kerutan di lipatan filter dapat terjadi karena pemasangan, tetapi tidak akan mempengaruhi performa filter.

Pelepasan dan Pemasangan Filter Qwik Lock™

Pelepasan Filter:

1. Pegang tab filter Qwik Lock™ di kedua tangan.
2. Dengan satu ibu jari pada papan Qwik Lock™, yang timbul melalui pelat filter yang terintegrasi, angkat tab filter sambil mendorong papan.
3. Tindakan ini akan menyebabkan filter keluar dari wadah filter. Lepaskan filter dari wadah.

PENTING: Untuk menghindari kerusakan pada roda blower dan motor, selalu pasang kembali filter sebelum menggunakan Vac untuk menyedot bahan kering.

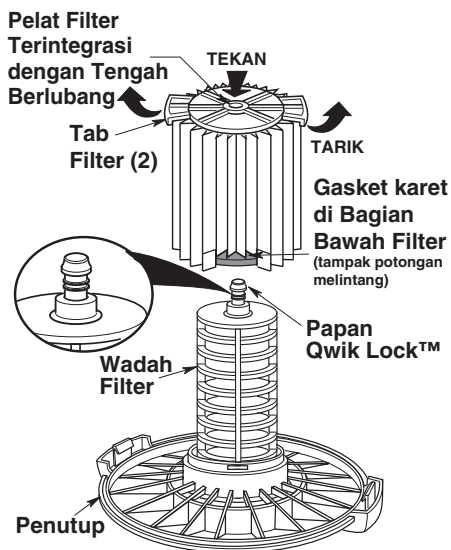
Pemasangan Filter:

1. Geser filter Qwik Lock™ melalui wadah filter dengan hati-hati, kemudian tekan tepi luar filter hingga gasket karet di bagian bawah dudukan filter dengan kencang di sekitar dasar wadah filter dan berlawanan dengan tutupnya.

2. Sejajarkan lubang pusat kecil di bagian atas filter atas papan Qwik Lock™ di wadah filter. Tekan dengan kuat bagian atas filter di dekat papan agar filter masuk dengan pas di atas bola pada ujung papan. Filter sekarang telah terpasang.

CATATAN: Kegagalan dalam meletakkan bagian bawah gasket dengan benar dapat mengakibatkan kotoran melewati filter.

⚠ PERINGATAN: Jangan mengoperasikan tanpa wadah filter dan float, karena dapat mencegah cairan masuk ke dalam baling-baling dan merusak motor.



Pemeliharaan (lanjutan)

Pembersihan Filter

Filter harus sering dibersihkan untuk menjaga performa puncak Vac.

Keringkan filter sebelum menyimpan atau menyedot kotoran kering apa pun.

Membersihkan Filter Kering

1. Terkadang membersihkan kotoran kering dapat dilakukan tanpa melepas filter dari Vac. Pukulkan tangan di atas tutup saat Vac dimatikan.
2. Untuk hasil pembersihan terbaik karena akumulasi debu, bersihkan filter di area terbuka. Pembersihan HARUS dilakukan di luar ruangan dan bukan di ruang tempat tinggal.
3. Setelah melepas filter dari Vac, buang kotoran kering dengan menekan filter dengan lembut di bagian dalam dinding drum debu. Kotoran akan lepas dan jatuh.
4. Untuk pembersihan menyeluruh filter kering dengan debu halus (tanpa kotoran), alirkan air seperti yang dijelaskan dalam “Membersihkan Filter Basah”.

Membersihkan Filter Basah

Setelah filter dilepas, alirkan air melalui filter dari selang atau keran. Berhati-hatilah agar tekanan air dari selang tidak terlalu kuat untuk merusak filter.

PENTING: Setelah dibersihkan, periksa filter bila ada retakan atau lubang kecil. Jangan gunakan filter dengan lubang atau retakan di dalamnya. Bahkan lubang kecil dapat menyebabkan banyak debu keluar dari Vac. Ganti sesegera mungkin

Biarkan filter kering sebelum memasang kembali dan menyimpan Vac.

Membersihkan dan Mensterilkan Vac Wet/Dry

Untuk menjaga Vac Wet/Dry bekerja terbaik, bersihkan bagian luarnya dengan kain yang dibasahi dengan air hangat dan sabun yang lembut.

Membersihkan drum:

1. Keluarkan kotoran.
2. Cuci drum secara menyeluruh dengan air hangat dan sabun lembut.
3. Lap dengan kain kering.

Sebelum lama menyimpannya atau jika diperlukan (misalnya; menyedot air limbah) drum harus disterilkan.

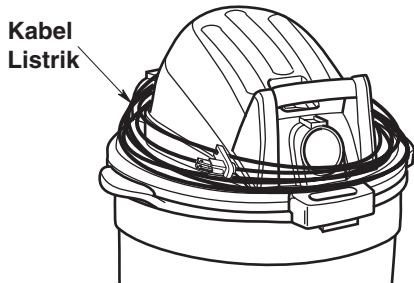
Mensterilkan drum:

1. Tuang 4 l air dan 5 ml pemutih klorin ke dalam drum.
2. Diamkan larutan selama 20 menit, dengan hati-hati goyang tiap beberapa menit, pastikan untuk membasahi semua permukaan dalam drum.
3. Kosongkan drum setelah 20 menit. Bilas dengan air hingga bau pemutih hilang. Biarkan drum benar-benar kering sebelum menutup motor pada drum.

Pemeliharaan (lanjutan)

Pemeliharaan Kabel

Setelah menyedot, cabut kabel dan bungkus di sekitar penutup motor. Bila kabel listrik rusak, maka harus diganti oleh pabrik atau agen servis atau petugas yang berpengalaman untuk mengurangi risiko kecelakaan.



Penyimpanan

Sebelum menyimpan Vac, drum debu harus dikosongkan dan dibersihkan. Kabel harus dililitkan ke sekeliling unit. Aksesori harus disimpan di area yang sama dengan Vac sehingga mudah tersedia. Vac harus disimpan di dalam ruangan.

Kastor

Jika kastor bising, berikan setetes minyak pada poros rol agar lebih tenang.

⚠ PERINGATAN: Untuk menjamin KESELAMATAN dan KEANDALAN produk, setiap pemeliharaan, perbaikan dan penyetelan lainnya harus dilakukan oleh Pusat Servis Resmi, selalu menggunakan suku cadang RIDGID.

Memperbaiki Komponen

Vac Wet/Dry 22,5 Liter RIDGID

Nomor Model WD0655AU0 / WD0655KR0 / WD0655ND0

Rating Listrik:


220 - 230 V, 4 A, 50/60 Hz.

Suku cadang RIDGID tersedia on-line di www.RIDGID.com

Selalu urutkan menurut Nomor Suku Cadang - Bukan dengan Nomor Kunci

PERINGATAN

MENYERVIS VAC WET/DRY INSULASI GANDA

Dalam Vac Wet/Dry Insulasi Ganda, diberikan dua sistem insulasi, bukan pemasangan arde. Alat pemasangan arde tidak disediakan maupun ditambahkan pada alat insulasi-ganda. Menyervis Vac Wet/Dry insulasi-ganda harus sangat berhati-hati dan memerlukan pengetahuan tentang sistem, serta harus dilakukan hanya oleh teknisi ahli. Suku cadang untuk Vac Wet/Dry insulasi-ganda harus sama dengan komponen yang diganti. Vac Wet/Dry insulasi-ganda ditandai dengan kata-kata "INSULASI GANDA" dan simbol  (kotak di dalam kotak) juga dapat diberikan pada alat.

Untuk mengurangi risiko cedera akibat kejutan listrik, lepas kabel listrik sebelum menyervis komponen listrik Vac Wet/Dry.

Nomor Kunci.	Nomor Suku Cadang	Deskripsi
1	833879	Sakelar
2	840534	Unit Kabel (WD0655AU0)
2	840446-1	Unit Kabel (WD0655KR0 & WD0655ND0)
3	833880	Unit Motor
4	510395	Filter Listrik dan Steker
5	509488	Float
6	833521	Wadah Filter
7	VF4000	† Filter Qwik Lock™
8	832084	Kaki Kastor dengan Penyimpanan
9	331605	Kastor
10	VT1709	† Nosel Utilitas
11	VT1710	† Nosel Basah
12	VT1781	† Nosel Mobil
13	VT1702	† Kemoceng
14	VT1720	Unit Selang Pengunci
15	VT1708	† Tongkat Perpanjangan
16	SP6983	Panduan bagi Pemilik

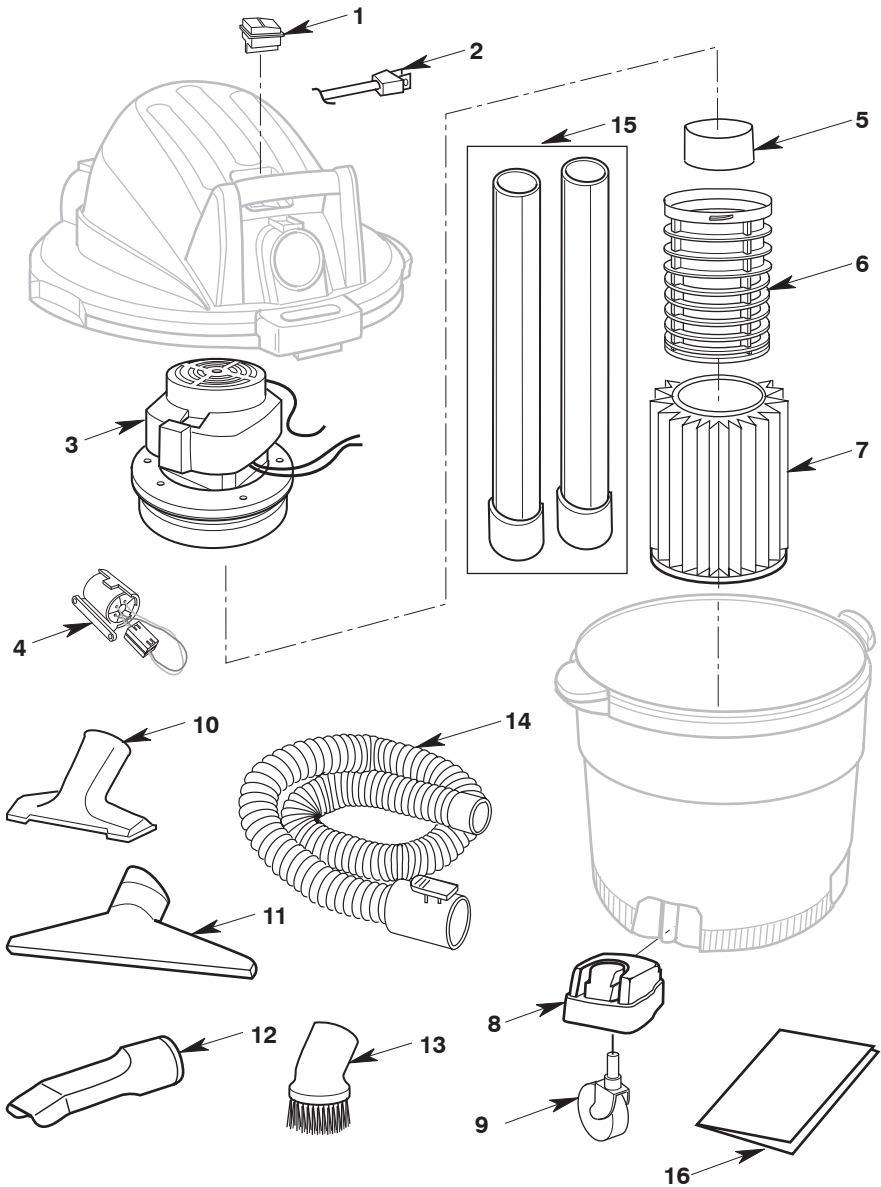
† Suku cadang tersebut tersedia di tempat Anda membeli Vac.

Suku Cadang (lanjutan)

Vac Wet/Dry 22,5 Liter RIDGID

Nomor Model WD0655AU0 / WD0655KRO / WD0655ND0

Suku cadang RIDGID tersedia on-line di www.RIDGID.com





Simbol Kualitas, Durabilitas dan Keandalan

No. Katalog WD0655AU0, WD0655KR0, WD0655ND0

No. Model WD0655AU0, WD0655KR0, WD0655ND0

No. Seri _____

Nomor Model dan Seri dapat ditemukan pada label di dekat tempat masuknya kabel pada Vac.

Anda harus mencatat nomor Model dan Seri di tempat yang aman untuk digunakan di masa mendatang.



EMERSON™

www.RIDGID.com

© 2016 Emerson