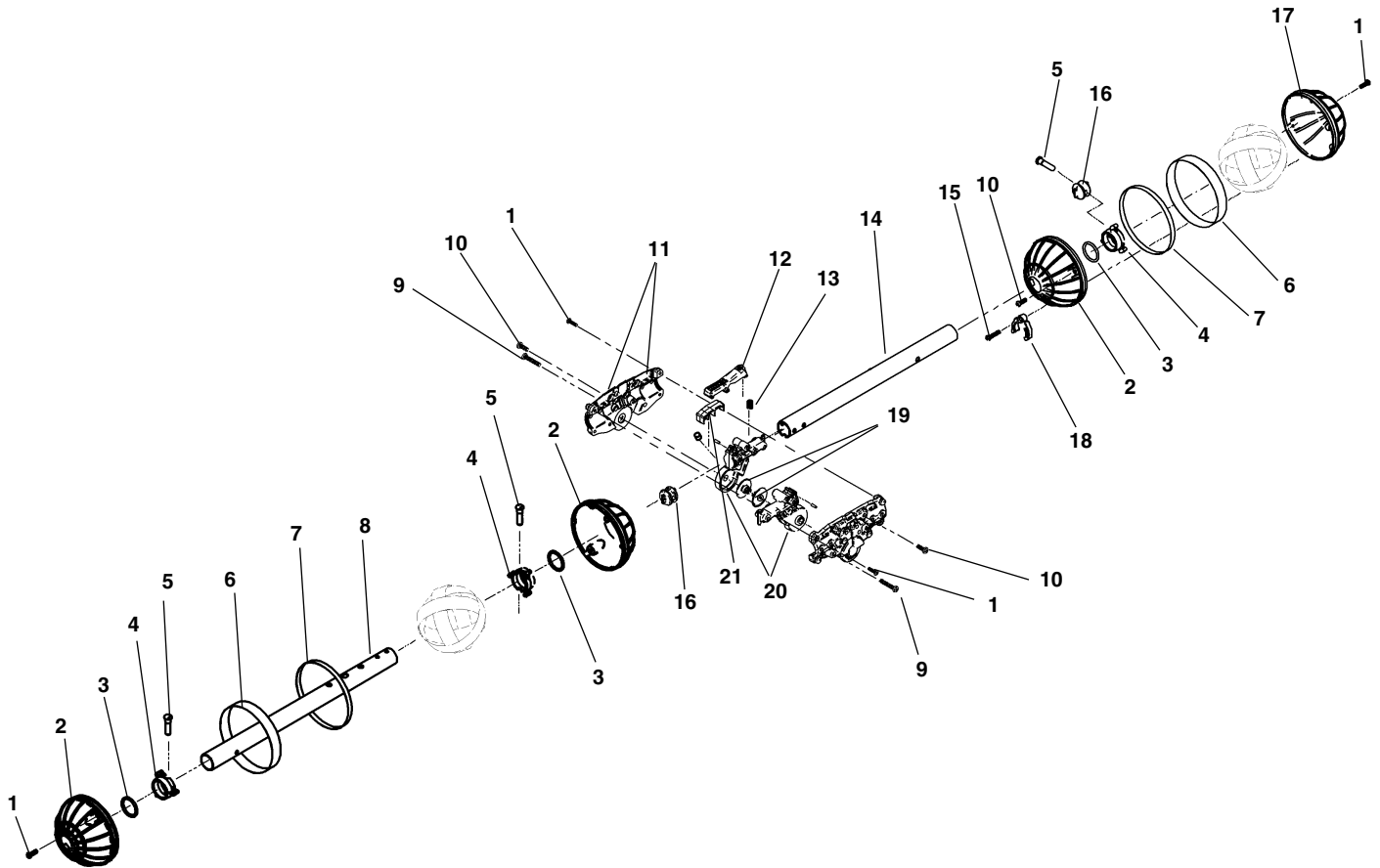


**NOTE: Order parts by Catalog Number only.
DO NOT order by Reference Number.**

Ref. No.	Catalog No.	Description
1	26063	Screw #8-16 x 3/8" (2)
2	26068	Tube Cap
3	26073	Dowel Pin
4	26078	Flat Flex Cable
5	24588	Screw #6 x 3/8" (2)
6	24593	Screw #6-32 x 3/16"
7	24583	Right Angle Mounting Bracket (2)
8	24563	Serial Board Asm
9	26083	Bottom Case Asm (Incl. Battery Contacts)
10	*	Serial Number Label (Can Only Be Applied At Mfg.)
11	26088	CE Label (Europe Only)
	26113	WEEE Label (Europe Only)
12	26093	Bottom Cover
13	12543	Set Of Marker Chips
14	26098	Bottom Handle Insert
15	24488	Screw #4 x 1/2" (3)
16	23178	Battery Cover Asm
17	26103	Screw #8 x 3/4" (9)
18	24408	Screw #8 x 1" (4)

Following Item Not Shown:
 26108 Flat Nylon Washer (13)
 (Fits Behind Screw Shown As Ref. 17)



**NOTE: Order parts by Catalog Number only.
DO NOT order by Reference Number.**

Ref. No.	Catalog No.	Description	Ref. No.	Catalog No.	Description
1	24413	Screw #6 x 1/2" (5)	12	23593	Pivot Latch
2	24328	Top Antenna Shell	13	23603	Latch Spring
3	24358	O-Ring	14	26133	Bottom Mast Tube
4	24318	Antenna Pin Ring	15	26128	Screw #6 x 3/4"
5	24373	Antenna Pin	16	23613	Tube Seal
6	26118	Antenna Ball Label	17	26138	Bottom Antenna Shell
7	24363	Double Sided Tape Roll	18	24333	Tube Lock
8	26123	Top Mast Tube	19	23598	Wire Reel
9	24408	Screw #8 x 1" (4)	20	23588	Center Pivot
10	24403	Screw #8 x 1/2" (16)	21	23628	Rear Pivot Cover
11	23663	Outer Pivot Asm			