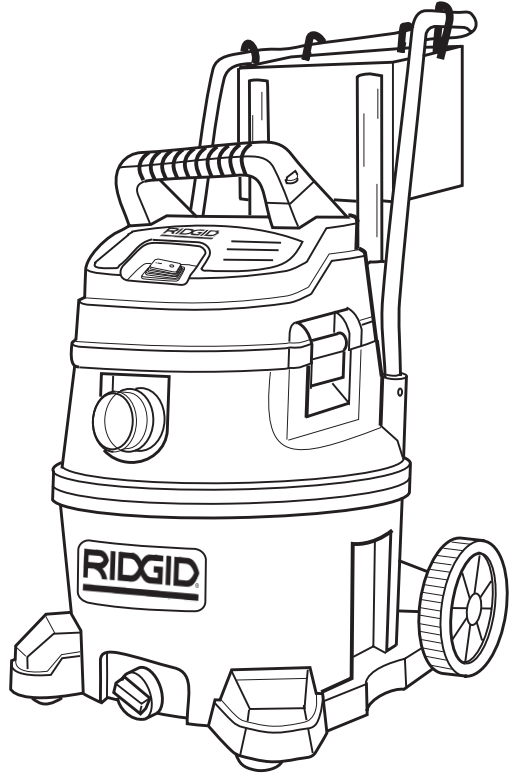


# RIDGID®

## OWNER'S MANUAL

LARGE CAPACITY - 2-STAGE  
HOUSEHOLD WET/DRY VACS

**RV24000, RV26000,  
RV2400M0, RV2600M0**



QUESTIONS OR COMMENTS? CONTACT US AT

[www.RIDGIDvacs.com](http://www.RIDGIDvacs.com)

In the U.S. and Canada, Call 1-800-4-RIDGID

In Mexico, Call 01-800-701-9811

### **⚠ WARNING:**

To reduce the risk of injury, the user must read and understand the owner's manual before using this product.

Thank you for buying a RIDGID product.

- Español - página 21
- Français - page 41

**SAVE THIS MANUAL FOR FUTURE REFERENCE**

Part No. SP6729

Printed in Mexico

# Table of Contents

Section	Page	Section	Page
Table of Contents	2	Operation	12
Important Safety Instructions	2	Vacuuming Dry Materials	13
Safety Signal Words	2	Vacuuming Liquids	13
Grounding Instructions	4	Emptying the Drum	14
Introduction	5	Moving the Wet/Dry Vac	14
Unpacking and Checking	5	Blowing Feature	15
Drum/Caddy Assembly	8	Accessory Storage	16
Wet/Dry Vac Assembly	11	Cord Wrap	16
		Hose Storage	16
		Maintenance	17
		Warranty	20

## IMPORTANT SAFETY INSTRUCTIONS

Safety is a combination of using common sense, staying alert, and knowing how your Wet/Dry Vacuum Cleaner ("Vac") works.

### Safety Signal Words

**⚠ DANGER:** Indicates a hazardous situation which, if not avoided, will result in death or serious injury.

**⚠ WARNING:** Indicates a hazardous situation which, if not avoided, could result in death or serious injury.

**⚠ CAUTION:** Indicates a hazardous situation which, if not avoided, could result in minor or moderate injury.

When using your Vac, always follow basic safety precautions including the following:

**⚠ WARNING:**  
- To reduce the risk of fire, electric shock, or injury:

- Read and understand this manual and all labels on the Vac before operating.
- Use only as described in this manual.
- Do not leave Vac running while unattended - you may fail to notice important signs indicating abnormal operation such as loss of suction, debris/liquid exiting exhaust, or abnormal motor noises. Immediately stop using Vac if you notice these signs.
- Do not leave Vac when plugged in. Unplug from outlet when not in use and before servicing.

- Sparks inside the motor can ignite flammable vapors or dust. To reduce the risk of fire or explosion, do not use near combustible liquids, gases, or dusts, such as gasoline or other fuels, lighter fluid, cleaners, oil-based paints, natural gas, coal dust, magnesium dust, grain dust, aluminum dust, or gun powder.

- Do not vacuum anything that is burning or smoking, such as cigarettes, matches, or hot ashes.

- To avoid the risk of self-ignition of drum debris, empty drum after each use. Combustible materials, such as rags or sawdust containing stain or urethane, can be sources of such overheating.

- Do not vacuum drywall dust, cold fireplace ash, or other fine dusts with standard filter. These may pass through the filter and be exhausted back into the air. Use a fine dust filter instead.

- To reduce the risk of inhaling toxic vapors, do not vacuum or use near toxic or hazardous materials.

- To reduce the risk of electric shock, do not expose to rain or allow liquid to enter motor compartment. Store indoors.

- This Wet/Dry Vac is not intended for use by persons (including children) with reduced physical, sensory, or mental capabilities, or lack of experience and knowledge, unless they have been given supervision or instruction concerning use of the appliance by a person responsible for their safety.

- Do not allow to be used as a toy. Close attention is necessary when used by or near children.

- Do not use with a torn filter or without the filter installed except when vacuuming liquids as described in this manual. Dry debris ingested by the impeller may damage the motor or be exhausted into the air.
- Turn off Vac before unplugging.
- To reduce the risk of injury from accidental starting, unplug power cord before changing or cleaning filter.
- Do not unplug by pulling on cord.
- To unplug, grasp the plug, not the cord.
- Do not use with damaged cord, plug or other parts. If your Vac is not working as it should, has missing parts, has been dropped, damaged, left outdoors, or dropped into water, call customer service.
- Do not pull or carry by cord, use cord as handle, close a door on cord, or pull cord around sharp edges or corners. Do not run Vac over cord. Keep cord away from heated surfaces.
- Do not handle plug, switch, or the Vac with wet hands.
- Use only extension cords that are rated for outdoor use and have a grounding conductor. Extension cords in poor condition or too small in wire size can pose fire and shock hazards. To reduce the risk of these hazards, be sure the cord is in good condition and that liquid does not contact the connection. Do not use an extension cord with conductors smaller than 1,3 mm<sup>2</sup> (16 AWG).
- Connect only to a properly-grounded outlet. See grounding instructions.
- Do not put any object into ventilation openings. Do not vacuum with any ventilation openings blocked; keep free of dust, lint, hair or anything that may reduce air flow.
- Keep hair, loose clothing, fingers, and all parts of body away from openings and moving parts.
- To reduce the risk of falls, use extra care when cleaning on stairs.
- To reduce the risk of back injury or falls, do not lift a Vac that is heavy with liquid or debris. Partially empty the Vac by scooping debris or draining liquid to make it comfortable to lift.
- To reduce the risk of personal injury or damage to Vac, use only RIDGID recommended accessories.
- When using as a blower:
  - Direct air discharge only at work area.
  - Do not direct air at bystanders.
  - Keep children away when blowing.
  - Do not use blower for any job except blowing dirt and debris.
  - Do not use as a sprayer.
- To reduce the risk of eye injury, wear safety eyewear. The operation of any utility Vac or blower can result in foreign objects being blown into the eyes, which can result in severe eye damage.
- To reduce the risk of being struck by, or pulled down by, a rolling Vac, block the wheels when using on any uneven or sloped surface.

### ▲ CAUTION:

- To reduce the risk of hearing damage, wear ear protectors when using for extended time or in a noisy area.
- For dusty operations, wear dust mask.
- Static shocks are common when the relative humidity of the air is low. Vacuuming fine debris with your Vac can deposit static charge on the hose or Vac. To reduce the frequency of static shocks in your home or when using this Vac, add moisture to the air with a humidifier.

Observe the following warnings that appear on the motor housing of your Vac:

### ▲ WARNING:

- For your own safety, read and understand owner's manual.
- Do not run unattended.
- Do not pick up hot ashes, coals, toxic, flammable or other hazardous materials.
- Do not use around explosive liquids or vapors.

### ▲ WARNING:

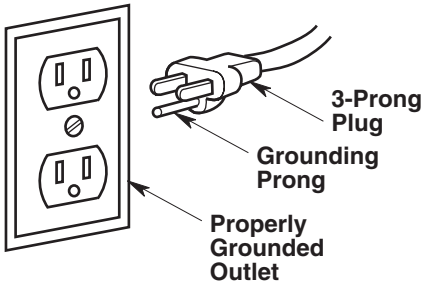
To reduce the risk of electric shock - do not expose to rain - store indoors.

# SAVE THIS MANUAL

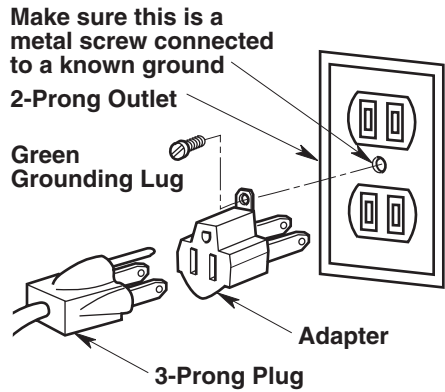
# Grounding Instructions

This Vac must be grounded. If it should malfunction or break down, grounding provides a path of least resistance for electric current to reduce the risk of electric shock. This Vac is equipped with a cord having an equipment-grounding conductor and grounding plug. The plug must be inserted into an appropriate outlet that is properly installed and grounded in accordance with all local codes and ordinances.

**⚠ WARNING:**  
Improper connection of the equipment grounding conductor can result in a risk of electric shock. Check with a qualified electrician or service person if you are in doubt as to whether the outlet is properly grounded. Do not modify the plug provided with the appliance - if it will not fit the outlet, have a proper outlet installed by a qualified electrician.



This vac is for use on a nominal 120-volt circuit, and has a grounded plug that looks like the plug shown. A temporary adapter that looks like the adapter shown may be used to connect this plug to a 2-pole receptacle, as shown. If a properly grounded outlet is not available, the temporary adapter should only be used until a properly grounded outlet can be installed by a qualified electrician.



The green-colored rigid ear, lug, or the like, extending from the adapter, must be connected to a permanent ground such as a properly grounded outlet box cover. Whenever the adapter is used, it must be held in place by a metal screw.

**NOTE:** In Canada, the use of a temporary adaptor is not permitted by the Canadian Electrical Code.

# Introduction

This Vac is rated for household use. This Wet/Dry Vac is supplied with a three-layer fine dust filter. It can be used not only to pick up material like sawdust

and gravel but also ultra fine material like drywall dust and cold fireplace ash. These types of materials are so small they would pass through traditional filters.

## Unpacking and Checking Carton Contents

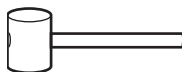
### Tools Required



**Phillips  
Screwdriver**



**Hammer**



**Mallet**

### Recommended



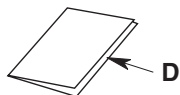
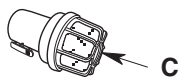
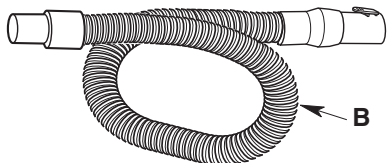
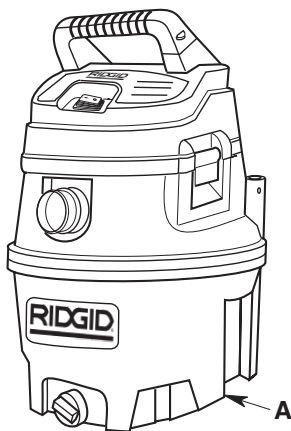
**5/8"  
Socket**

Remove contents of carton. Check each item against the Carton Contents List. Call 1-800-4-RIDGID (1-800-474-3443) from the US and Canada, 01-800-701-9811 from Mexico, or E-mail us at [info@RIDGID.com](mailto:info@RIDGID.com) if any parts are damaged or missing.

Refer to the assembly sketch for positioning of parts.

### Carton Contents List

Key	Description	Qty
A	Wet/Dry Vac Assembly .....	1
B	Professional Locking Hose.....	1
C	Muffler/Diffuser .....	1
D	Owner's Manual .....	1

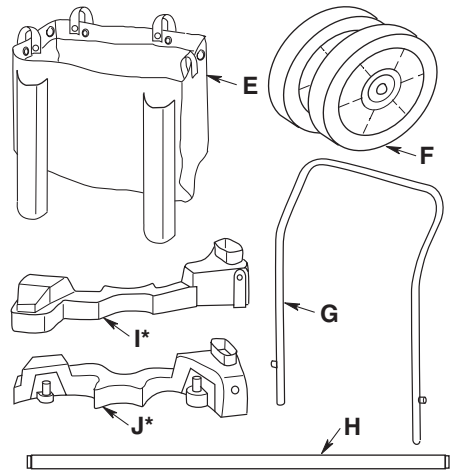


# Unpacking and Checking Carton Contents (cont.)

## Carton Contents List

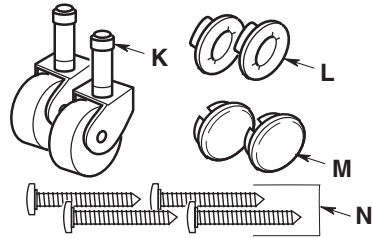
Key	Description	Qty
Carton containing the following parts:		
E	Tool Holder .....	1
F	Wheels .....	2
G	Metal Handle .....	1
H	Axle .....	1
I*	Caddy, Right .....	1
J*	Caddy, Left .....	1

\* These items may come preassembled. If they are not present in the carton check the Wet/Dry Vac assembly to see if they are preassembled.



## Carton Contents List

Key	Description	Qty
Bag of Loose Parts - Containing the following:		
K	Casters .....	2
L	Cap Nuts .....	2
M	Wheel Caps .....	2
N	Screws, Type AB #10 x 1-3/4" (44 mm) ...	4

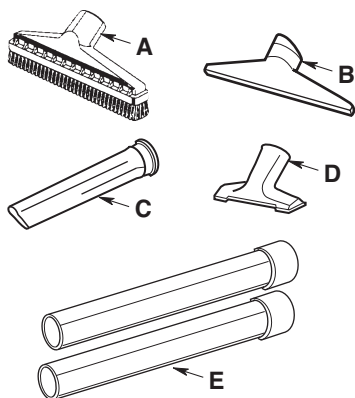


# Unpacking and Checking Carton Contents (cont.)

## 2-1/2" (64 mm) Accessories For Stock Number RV2400A or RV2400M

### Carton Contents List

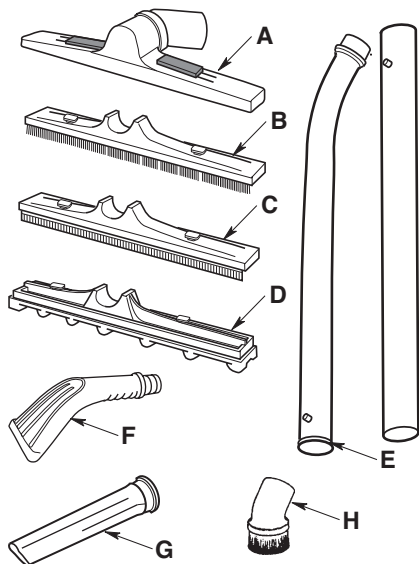
Key	Description	Qty
A	Floor Brush .....	1
B	Wet Nozzle .....	1
C	Crevice Tool.....	1
D	Utility Nozzle .....	1
E	Extension Wands.....	2



## 1-7/8" (46 mm) Accessories For Stock Number RV2600B or RV2600M

### Carton Contents List

Key	Description	Qty
A	Multi-Nozzle Body.....	1
B	Floor Brush Insert.....	1
C	Squeegee Insert .....	1
D	Carpet Insert.....	1
E	Extension Wands.....	2
F	Claw Nozzle.....	1
G	Crevice Tool.....	1
H	Dusting Brush .....	1



# Drum/Caddy Assembly

If any parts are missing or damaged contact Customer Service.

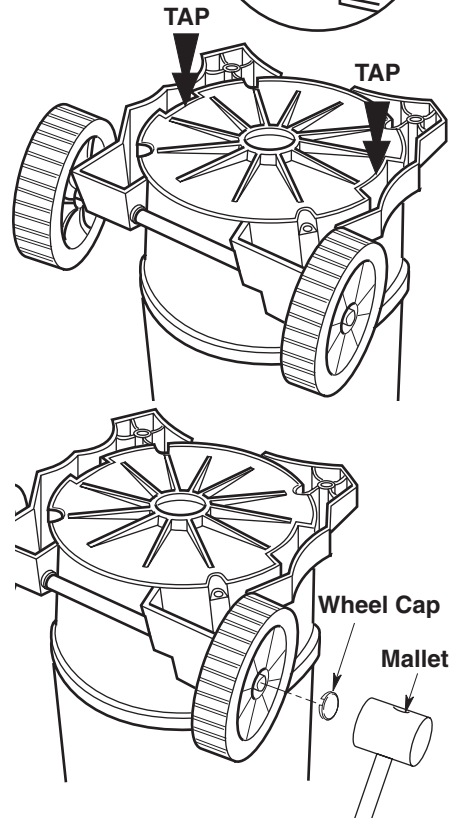
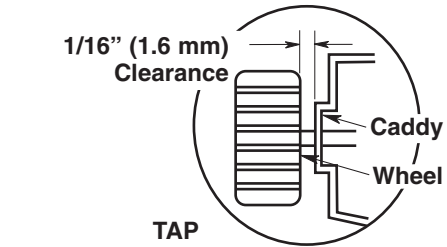
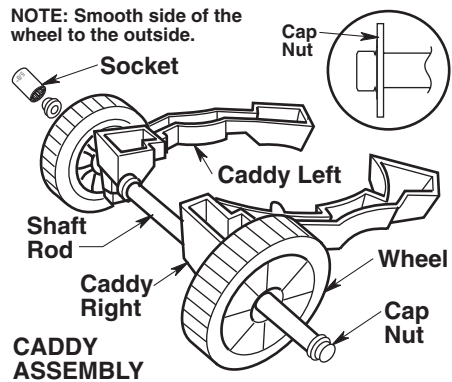
Do not assemble until you have all the parts.

1. Remove Left and Right Caddies from Drum.

**\*TIP -** Use a 5/8" (16mm) Socket to hold the Cap Nut in a stable position when hammering.

2. Install Cap Nut on one side of Shaft Rod. Tap gently with Rubber Mallet or Hammer until fully seated. Slide open end of Shaft through the Wheel (smooth side of wheel facing outward).
3. Place Wheel/Shaft Assembly through Caddy Left and on through the Caddy Right, as shown.
4. Then place the remaining Wheel onto the Caddy Assembly (smooth side of wheel facing outward), and install second Cap Nut.
5. Invert Drum to install Caddy. Place the Caddy Assembly onto the Drum, as shown. Be sure that Wheels spin freely, and do not contact the Caddies.
6. Once the Caddies are aligned on the Drum, gently tap each end of each Caddy until firmly seated. It is recommended to tap the center portion of the Front Caddies, as shown.
7. Using a Rubber Mallet or Hammer, gently tap the Wheel Caps onto each Wheel until the Wheel Caps are firmly seated onto each Wheel. This is required on both sides.

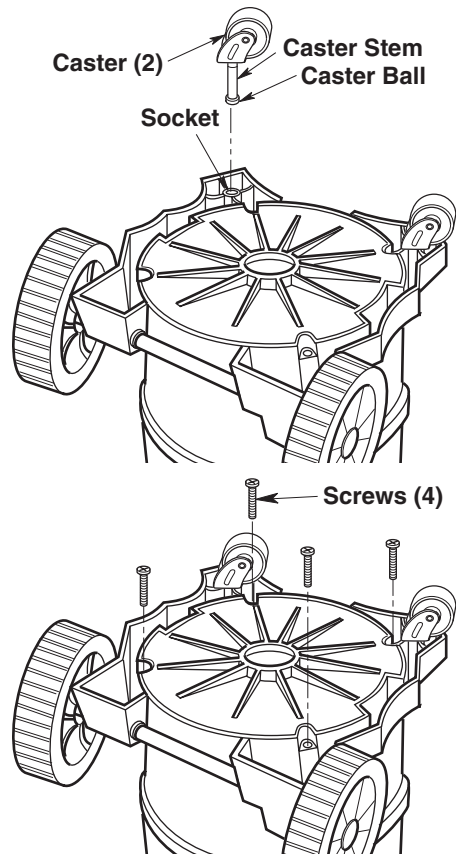
**NOTE:** Smooth side of the wheel to the outside.





## Drum/Caddy Assembly (cont.)

8. Insert the Caster Stem into the Socket of the Caster Foot, as shown. (Front casters only).
9. Push on the Caster until the Ball on the Caster Stem is inserted all the way into the Socket. You will be able to hear the Ball snap into the Socket and the Caster will swivel easily when positioning is correct.
10. Install 4 Screws (supplied) into matching holes on both right and left side of Caddy, securing the Caddies to the bottom of the Drum. Tighten Screws until just snug. Do not over tighten the Screws, as this may deform the Caddies.



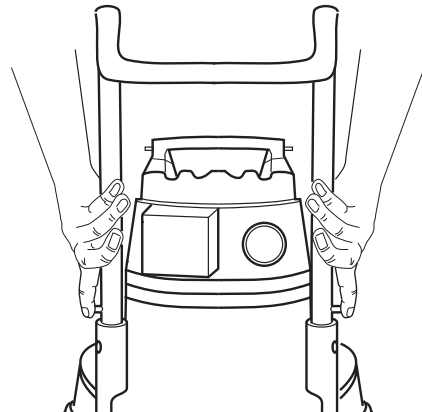
### Installing Metal Handle

Press and hold Release Buttons while installing Metal Handle into Handle Receptacles on the Drum (See illustration).

**NOTE:** An audible snap of Release Buttons indicates successful engagement of Metal Handle.

### Removing Metal Handle

Press and hold Release Buttons, as shown. While firmly pushing in Release Buttons, pull the Metal Handle upwards to remove (see illustration).

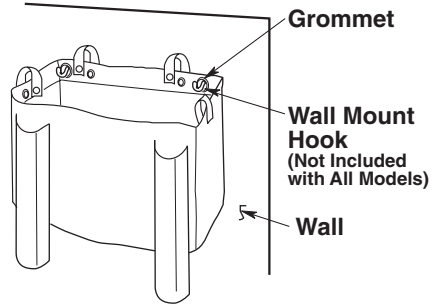
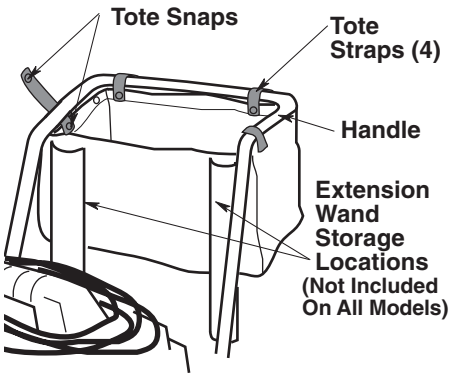


# Drum/Caddy Assembly (cont.)

## Installing Tool Holder

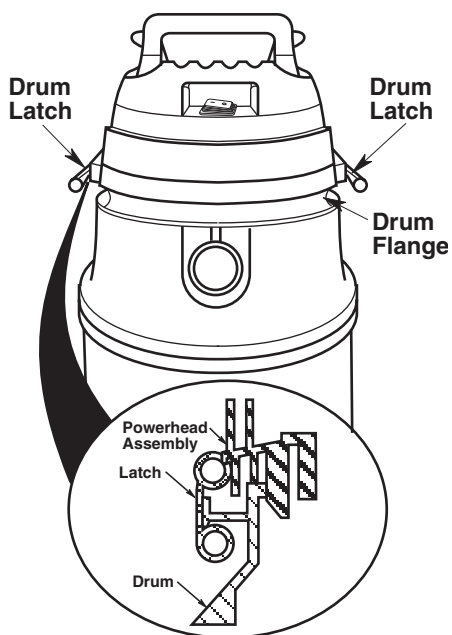
1. Position the Tool Holder to the Metal Handle with Extension Wand Holders (not included on all models) facing the unit. Install the Tool Holder by wrapping the Four Tote Straps around the Metal Handle and Snap each Strap in place, as shown.

2. As an alternative storage solution, the Tool Holder may hang on a wall. Two wall mounting hooks (not included with all models) must be secured to the wall, as shown (sold separately).



# Wet/Dry Vac Assembly

1. Position the Powerhead Assembly on the Drum/Caddy Assembly, as shown (assembled earlier).
2. Rotate both Latches down and press until you hear them snap over the Flanges on the Drum.



## Insert Hose

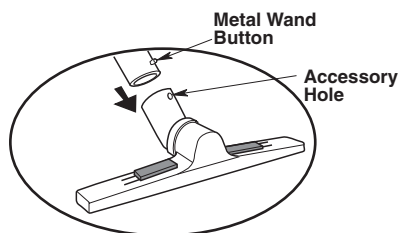
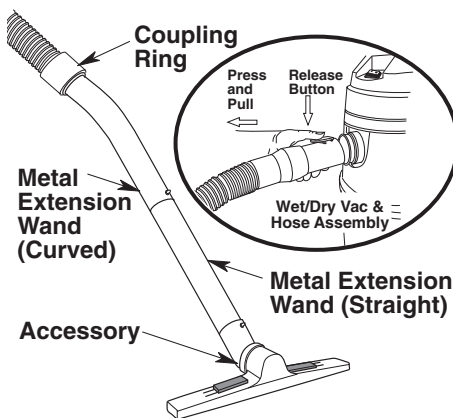
Insert the Push Button end of the Professional Locking Hose into the Vac Inlet. The Professional Locking Hose should snap into place.

To remove the Professional Locking Hose from the Vac, press the Hose Assembly Release Button and pull the Professional Locking Hose out of the Vac Inlet, as shown.

Press the Curved Metal Extension Wand into the Coupling Ring of the Professional Locking Hose End.

Join the two Metal Extension Wands, aligning the Button and Hole so they snap together.

Attach the Accessories, aligning the Button and Hole so they snap together.



# Operation

## **▲ WARNING:**

To reduce the risk of fire, explosion, or damage to Vac:

- Do not leave Vac running while unattended - you may fail to notice important signs indicating abnormal operation such as loss of suction, debris/liquid exiting the exhaust, or abnormal motor noises. Immediately stop using Vac if you notice these signs.
- Do not leave Vac plugged in when not in use.
- Do not continue running when float has cut off suction.
- Sparks inside the motor can ignite airborne flammables. Do not operate Vac near flammable liquids or in areas with flammable gases, vapors, or explosive/airborne dust. Flammable liquids, gases, and vapors include: lighter fluid, solvent-type cleaners, oil-based paints, gasoline, alcohol, and aerosol sprays. Explosive dusts include: coal, magnesium, aluminum, grain, and gun powder.
- Do not vacuum up explosive dusts, flammable liquids, or hot ashes.
- Do not leave sawdust or rags with stain or polyurethane residue inside Vac. Empty drum after picking up these potentially self-heating materials.

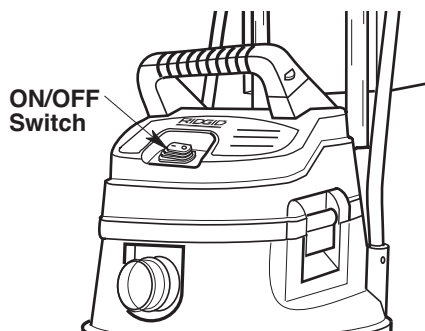
## **▲ WARNING:** To reduce the risk of electric shock or injury:

- Do not expose to rain or allow liquid to enter motor compartment. Store indoors.
- Do not handle plug, switch, or Vac with wet hands.
- Unplug Vac before servicing. If your Vac is not working as it should, has missing parts, has been dropped, damaged, left outdoors, or dropped into water, return it to an authorized service center or call customer service.
- When using an extension cord, use only outdoor-rated cords that are in good condition. Do not allow the connection to come into contact with liquid.

**▲ CAUTION:** To reduce the risk of hearing damage, wear ear protectors when using the Vac/Blower for extended time or in a noisy area.

After you plug the Power Cord into the Outlet, turn the Unit on by pushing the Switch from position “O” to position “I”. The symbols used on the Switch Actuator are International “On & Off” symbols. “O” is the symbol for “OFF” and “I” is the symbol for “ON”.

○ = OFF | = ON



## Operation (cont.)

Familiarize yourself with the Accessories included with the Vac. Each Accessory may be used in various ways for vacuuming and blowing debris. Here is a list of possible Accessories and their uses.

**Multi-Nozzle Body** - Holds floor inserts for specialized cleaning applications: Floor Brush, Squeegee, and Carpet Inserts. To change inserts, slide red tabs to the “open” position and pull insert from the center. Install new insert flush with nozzle body and slide tabs to the “lock” position.

**Floor Brush Insert** - Used for large area clean-ups on smooth surfaces.

**Squeegee Insert** - Used for wet pickup on smooth surfaces to pick up liquid and dry the surface in one stroke.

**Carpet Insert** - Dry and wet pickup nozzle for most upholstery and carpet cleaning.

**Claw Nozzle** - Used to pick up debris in hard to reach locations.

**Dusting Brush** - Used for detailed cleaning in small spaces.

**Crevice Tool** - Used to pick up debris in hard to reach locations.

**Muffler/Diffuser** - Used to disperse the exhaust air stream while reducing noise. Insert into the blowing port.

**Extension Wands** - These wands can be connected together and provides additional length for more reach.

**Hose** - Provides transfer of vacuum or blowing capability to work site. Provides the means of attaching extension wands and nozzles.

**Utility Nozzle** - General purpose nozzle for most vacuuming applications.

**Wet Nozzle** - Used for wet pickup on smooth surfaces to pick up liquid and dry the surface in one stroke.

**Floor Brush** - Used for large area clean-ups on smooth surfaces.

## Vacuuming Dry Materials

1. The Filter must always be in correct position to reduce the risk of leaks and possible damage to Vac.
2. Your Wet/Dry Vac comes with the VF5000 Filter installed. When using your Vac to pick up very fine dust, it will be necessary for you to empty the Drum and clean the Filter at more frequent intervals to maintain peak Vac performance.

**NOTE:** A dry Filter is necessary to pick up dry material. If you use your Vac to pick up dust when the Filter is wet, the Filter will clog quickly and be very difficult to clean.

## Vacuuming Liquids

### IMPORTANT:

1. When picking up small amounts of liquid (2-4 inches (5-10 cm) of liquid in the bottom of the Drum) the Filter may be left in place.
2. When picking up larger amounts of liquid (more than 4 inches (10 cm) of liquid in the bottom of the Drum) we recommend that the Filter be removed. If the Filter is not removed, it will become saturated and misting may appear in the exhaust.

**⚠ WARNING:**  
Do not operate without filter cage and float, as they prevent liquid from entering the impeller and damaging the motor.

## Operation (cont.)

3. After using the Vac to pick up liquids, the Filter must be dried to reduce the risk of possible mildew and damage to the Filter.
4. When the liquid in the Drum reaches a predetermined level, the Float mechanism will rise automatically to cut off air-flow. When this happens, turn off the Vac, unplug the Power Cord, and empty the Drum. You will know that the Float has risen because Vac airflow ceases and the motor noise will become higher in pitch, due to increased motor speed.

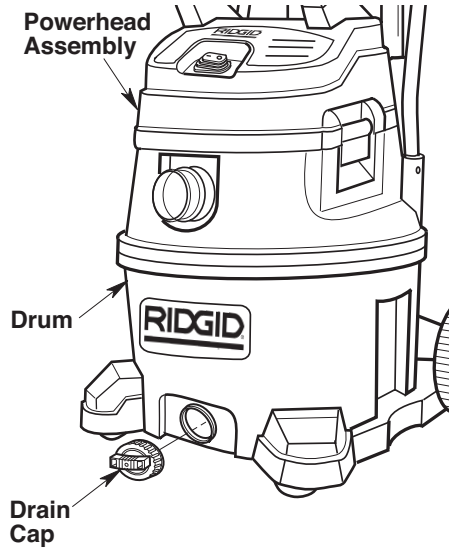
**IMPORTANT:** To reduce the risk of damage to the Vac, do not run Motor with Float in raised position.

### Emptying the Drum

**▲ WARNING:**  
To reduce the risk of injury from accidental starting, unplug power cord before emptying the drum.

**▲ WARNING:**  
To reduce the risk of back injury or falls, do not lift a Vac heavy with liquid or debris. Scoop or drain enough contents out to make the Vac light enough to lift comfortably.

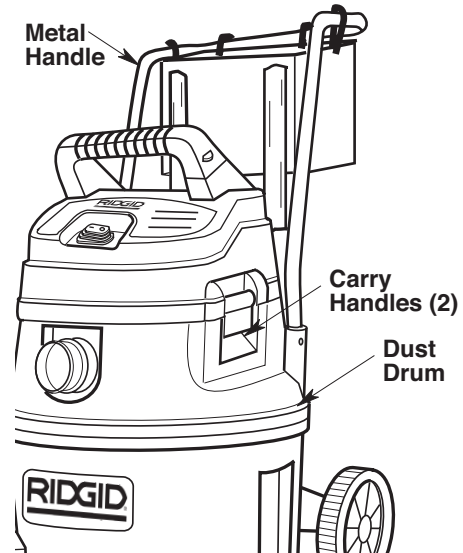
1. The Vac comes equipped with a Drain for easy emptying of liquids. Simply unscrew the Drain Cap and lift the opposite side slightly to empty the Drum.
2. Another option is to remove the Powerhead Assembly.
3. Lay Powerhead Assembly aside on a clean area while emptying Drum.
4. Dump the Drum contents into the proper waste disposal container.



### Moving the Wet/Dry Vac

Should it become necessary to pick the Vac up to move it, the Carry Handles on each side of the Dust Drum are used to lift.

To maneuver the Vac, the Metal Handle in the rear of the unit should be used.

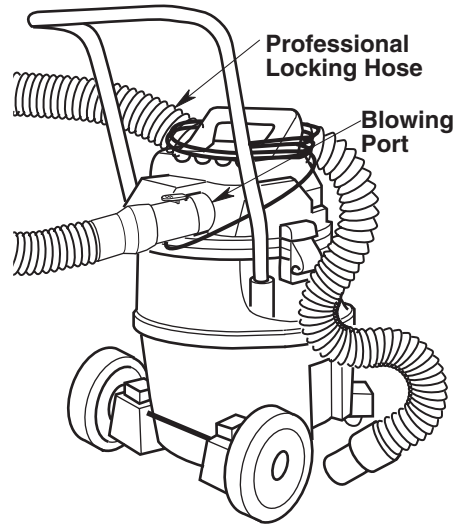


## Operation (cont.)

### Blowing Feature

Your Vac features a Blowing Port. It can blow sawdust and other debris. Follow the steps below to use your Vac as a Blower.

1. Locate Blowing Port of your Vac.
2. Insert the Locking End of the Professional Locking Hose into the Vac Blowing Port. The Professional Locking Hose should snap into place. To remove the Professional Locking Hose from the Vac, press the Release Button in the Hose Assembly and pull the Hose out of the Vac Blowing Port.
3. (Optional) Attach Extension Wand to opposite end of Professional Locking Hose.
4. Turn Vac on and you are ready to use your Vac as a Blower.



### **▲ WARNING:**

Always wear safety eyewear complying with ANSI Z87.1 (or in Canada, CSA Z94.3) before using as a blower.

### **▲ WARNING:**

To reduce the risk of injury to bystanders, keep them clear of blowing debris.

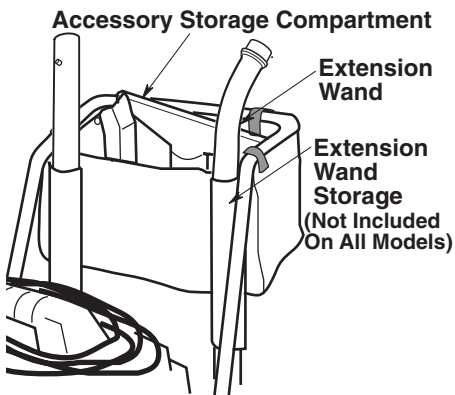
**▲ CAUTION:** Wear a dust mask if blowing creates dust which might be inhaled.

**▲ CAUTION:** To reduce the risk of hearing damage, wear ear protectors when using the Vac/Blower for extended time or in a noisy area.

## Accessory Storage

Your Accessories may be stored in the Tool Holder or in the two locations on the Caddy Right/Left.

**NOTE:** Insert male end of extension wand into the holder sleeve (not included on all models) as shown.



## Hose Storage

The Professional Locking Hose may be stored by wrapping it around the Unit and plugging the open end into one of the storage locations on the Caddy Assembly.

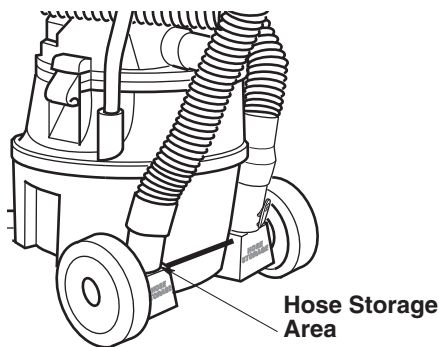
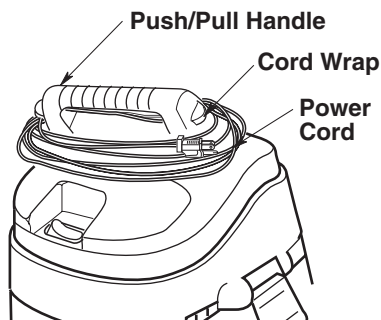
**⚠ CAUTION:** Do not operate vacuum while the hose is still wrapped around the powerhead assembly in the storage position.

**⚠ WARNING:** Do not put any object into ventilation openings. Do not vacuum with any ventilation openings blocked; keep free of dust, lint, hair or anything that may reduce air flow.

## Cord Wrap

When vacuuming is complete, unplug the Cord and wrap it around the Powerhead Assembly. Secure the Cord using the Cord Clip on the Plug.

The Power Cord should wrap under the Push/Pull Handle (above the Inlet) and around and under the Cord Wrap of the Motor Cover.





# Maintenance

## Filter

**⚠ WARNING:**  
To reduce the risk of injury from accidental starting, unplug power cord before changing or cleaning filter.

The Wet/Dry Vacs are supplied with RIDGID's Three-Layer Qwik Lock™ Filter. Replacement Three-Layer Qwik Lock™ Filters are available where you purchased your Vac. Ask for the RIDGID Three-Layer Qwik Lock™ Filter VF5000.

**NOTE:** The Filter is made of high quality paper designed to stop very small particles of dust. The Filter can be used for wet or dry pick up. Handle the Filter carefully when removing to clean or installing it. Creases in the Filter pleats may occur from installation but not affect the performance of the Filter.

## Removal and Installation of the Qwik Lock™ Filter

### Filter Removal:

1. Hold the Filter Tabs of the Qwik Lock™ Filter in each hand.
2. With one thumb on the Qwik Lock™ Stud, which protrudes through the integrated Filter Plate, lift up on the Filter Tabs while pushing down on the Stud.
3. This action will cause the Filter to release from the Filter Cage. Slide Filter off Cage.

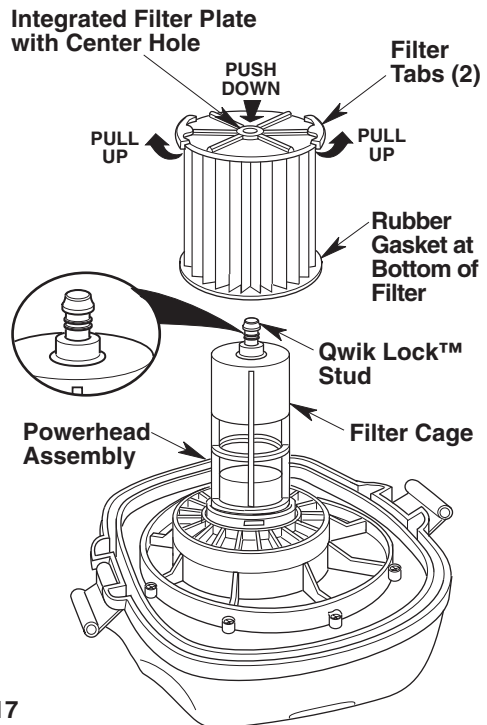
**IMPORTANT:** To avoid damage to the Blower Wheel and Motor, always reinstall the Filter before using the Vac for dry material pickup.

### Filter Installation:

1. Carefully slide the Qwik Lock™ Filter over the Filter cage and press down on the outside edge of the Filter until the Rubber Gasket on the bottom of the Filter seats securely around the base of the Filter Cage and against the Powerhead Assembly.
2. Align the small Center Hole in the top of the Filter over the Qwik Lock™ Stud on the Filter Cage. Press firmly on top of the Filter near the Stud to allow the Filter to snap over the Ball on the end of the Stud. The Filter is now attached.

**NOTE:** Failure to properly seat the bottom Gasket could result in debris bypassing the Filter.

**⚠ WARNING:**  
Do not operate without filter cage and float, as they prevent liquid from entering the impeller and damaging the motor.



## Maintenance (cont.)

### Filter Cleaning

Your Filter should be cleaned often to maintain peak Vac performance.

### Cleaning A Dry Filter

1. Some removal of dry debris can be accomplished without removing the Filter from the Vac. Slap your hand on top of the Powerhead Assembly while the Vac is turned off.
2. For best cleaning results due to accumulated dust, clean the Filter in an open area. Cleaning **SHOULD** be done outdoors and not in the living quarters.
3. After Filter removal from Vac, remove the dry debris by gently tapping Filter against the inside wall of your Dust Drum. The debris will loosen and fall.
4. For thorough cleaning of dry Filter with fine dust (no debris), run water through it as described under "Cleaning A Wet Filter".

### Cleaning A Wet Filter

After Filter is removed, run water through the Filter from a hose or spigot. Take care that water pressure from the hose is not strong enough to damage Filter.

**IMPORTANT:** After cleaning, check the Filter for tears or small holes. Do not use a Filter with holes or tears in it. Even a small hole can cause a lot of dust to come out of your Vac. If your Filter is damaged or worn, replace it immediately.

Allow the Filter to dry before reinstalling and storing the Vac or picking up dry debris.

### Cleaning and Disinfecting the Wet/Dry Vac

To keep your Wet/Dry Vac looking its best, clean the outside with a cloth dampened with warm water and mild soap.

To clean the Drum:

1. Dump debris out.
2. Wash Drum thoroughly with warm water and mild soap.
3. Wipe out with dry cloth.

Before prolonged storage or as needed (i.e., waste water pick up) the Drum should be disinfected.

To disinfect the drum:

1. Pour 1 gallon (4 L) of water and 1 teaspoon (5 mL) chlorine bleach into the Drum.
2. Let solution stand for 20 minutes, carefully swishing every few minutes, making sure to wet all inside surfaces of the Drum.
3. Empty Drum after 20 minutes. Rinse with water until bleach smell is gone. Allow Drum to dry completely before sealing the Motor on the Drum.

## Maintenance (cont.)

### Cord Maintenance

When vacuuming is complete, unplug the Power Cord and wrap it around the Powerhead Assembly. If the Power Cord is damaged, it must be replaced by the manufacturer or their service agent or by similarly qualified personnel to reduce the risk of accident.

### Storage

Before storing your Vac, the Drum should be emptied and cleaned. The Power Cord should be wrapped around the Powerhead Assembly and the Hose should be stored as described in this manual. Accessories should be kept in the same area as the Vac so they can be readily available. The Vac should be stored indoors.

### Casters and Wheels

Should your Cart squeak or become hard to roll, you should place two or three drops of general purpose oil on each Wheel at the Axle. If your Casters are noisy, you may put a drop of oil on the Roller Shaft to make them quieter.

### Frame and Handles

Your Metal Handle is painted to prevent rust, however, liquids and corrosive debris should be wiped off with a soft cloth should they come in contact with the Handle.

**⚠ WARNING:**  
To assure product **SAFETY** and **RELIABILITY**, any other maintenance, repairs and adjustments should be performed by Authorized Service Centers, always using RIDGID replacement parts.

## Large Capacity — 2-Stage Household Wet/Dry Vac Model Numbers RV24000, RV26000, RV2400M0 & RV2600M0

**Electrical Ratings:**

**120 V~ 11.5 A 60 Hz**

**RIDGID parts are available on-line at  
[store.ridgid.com/provacs](http://store.ridgid.com/provacs)**

Always order by Part Number - Not by Key Number

**⚠ WARNING:**  
To reduce the risk of injury from electrical shock, unplug power cord before servicing the electrical parts of the Wet/Dry Vac.

**⚠ WARNING:**  
All disassembly and repairs should be performed by qualified personnel.



## Symbol of Quality, Durability and Dependability

**This Warranty is Valid for the U.S. and Canada Only.**

**For Mexican Warranty Information Please See Enclosed Insert Sheet.**

- **What is covered**

RIDGID® Wet/Dry Vacs are warranted to be free of defects in workmanship and material.

- **How long coverage lasts**

This warranty lasts for the lifetime of the RIDGID® Wet/Dry Vac.

- **How to obtain service**

To obtain the benefit of this warranty, deliver via prepaid transportation the complete product to RIDGE TOOL COMPANY, Elyria, Ohio, or any authorized RIDGID® INDEPENDENT SERVICE CENTER. Pipe wrenches and other hand tools should be returned to the place of purchase.

- **What we will do to correct problems**

Warranted Wet/Dry Vacs will be repaired or replaced, at Ridge Tool Company's option, and returned at no charge; or, if after three attempts to repair or replace during the warranty period the Wet/Dry Vac is still defective, you can elect to receive a full refund of your purchase price.

- **What is not covered**

Failures due to misuse, abuse or normal wear and tear are not covered by this warranty. **RIDGE TOOL COMPANY SHALL NOT BE RESPONSIBLE FOR ANY INCIDENTAL OR CONSEQUENTIAL DAMAGES.**

- **How local laws relate to the warranty**

Some states do not allow the exclusion or limitation of incidental or consequential damages, so the above limitation or exclusion may not apply to you. This warranty gives you specific rights, and you may also have other rights which vary from state to state, province to province, or country to country.

- **No other express warranty applies**

This FULL LIFETIME WARRANTY is the sole and exclusive warranty for RIDGID® Wet/Dry Vacs. No employee, agent, dealer, or other person is authorized to alter this warranty or make any other warranty on behalf of Ridge Tool Company.

**Stock No. RV2400A or RV2600B, RV2600M & RV2600M, RV2400M0 & RV2600M0**  
**Model No. RV24000 or RV26000**  
**Serial Number \_\_\_\_\_**

Model and serial number may be found near the blowing port.

You should record both model and serial numbers in a safe place for future use.

### QUESTIONS OR COMMENTS? CONTACT US AT

[ridgid.com/warranty](http://ridgid.com/warranty)

**In the U.S. and Canada, Call 1-800-4-RIDGID**

**In Mexico, Call 01-800-701-9811**

Please have your Model Number and Serial Number on hand when calling.



**EMERSON**

[www.RIDGID.com](http://www.RIDGID.com)

© 2018 Emerson

Part No. SP6729

Form No. SP6729-5

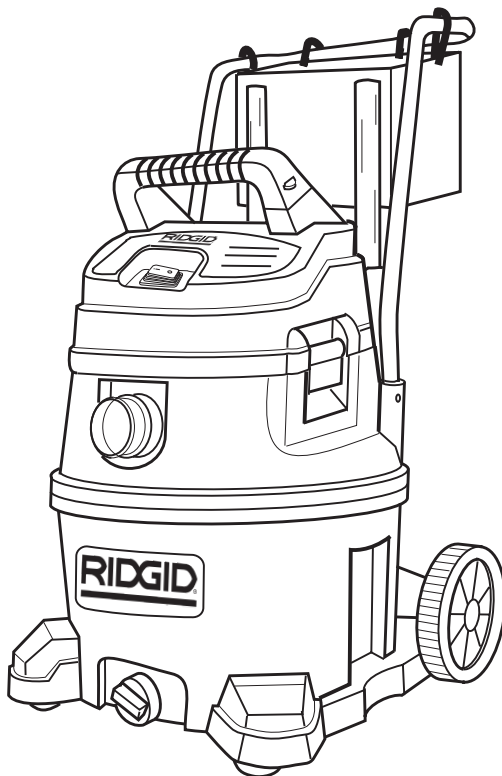
Printed in Mexico 11/18

# RIDGID®

## MANUAL DEL USUARIO

ASPIRADORAS PARA SECO/MOJADO  
DOMÉSTICAS DE 2 ETAPAS  
DE GRAN CAPACIDAD

**RV24000, RV26000,  
RV2400M0, RV2600M0**



¿PREGUNTAS O COMENTARIOS? COMUNÍQUESE CON NOSOTROS EN

[www.RIDGIDvacs.com](http://www.RIDGIDvacs.com)

1-800-4-RIDGID (1-800-474-3443) desde los EE.UU. y Canadá

01-800-701-9811 desde México

### **⚠ ADVERTENCIA:**

Para reducir el riesgo de lesiones, el usuario debe leer y entender el manual del operador antes de utilizar este producto.

Gracias por comprar un producto RIDGID.

• Français – page 41

**GUARDE ESTE MANUAL PARA REFERENCIA FUTURA**

No. de pieza SP6729

Impreso en México

# Índice

Sección	Página	Sección	Página
Índice	22	Recogida de líquidos con la aspiradora	33
Instrucciones de seguridad importantes	22	Vaciado del tambor	34
Palabras de señal de seguridad	22	Traslado de la aspiradora para mojado/seco	34
Instrucciones de conexión a tierra	24	Dispositivo de soplado	35
Introducción	25	Almacenamiento de accesorios	36
Desempaquetado y comprobación	25	Enrollado del cordón	36
Ensamblaje del tambor/base de soporte	28	Almacenamiento de la manguera	36
Ensamblaje de la aspiradora para mojado/seco	31	Mantenimiento	37
Funcionamiento	32	Garantía	40
Recogida de materiales secos con la aspiradora	33		

## INSTRUCCIONES DE SEGURIDAD IMPORTANTES

La seguridad es una combinación de sentido común, permanecer alerta y saber cómo funciona la aspiradora para mojado/seco ("la aspiradora").

### Palabras de señal de seguridad

**▲ PELIGRO:** indica una situación peligrosa que, si no se evita, causará la muerte o lesiones graves.

### ▲ ADVERTENCIA:

indica una situación peligrosa que, si no se evita, podría causar la muerte o lesiones graves.

**▲ PRECAUCIÓN:** indica una situación peligrosa que, si no se evita, pudiera causar lesiones leves o moderadas.

Cuando utilice la aspiradora, siga siempre las precauciones básicas de seguridad, incluyendo las siguientes:

### ▲ ADVERTENCIA:

– Para reducir el riesgo de incendio, choques eléctricos o lesiones:

- Lea y entienda este manual y todas las etiquetas que están colocadas en la aspiradora antes de utilizarla.
- Utilice la aspiradora únicamente de la manera que se describe en este manual.
- No deje la aspiradora en marcha mientras esté desatendida. Usted podría no notar señales importantes que indiquen un funcionamiento anormal, tal como pérdida de succión, residuos o líquido que salen por el escape o ruidos anormales del motor. Deje de usar la aspiradora inmediatamente si observa estas señales.
- No abandone la aspiradora cuando esté enchufada. Desenchúfela del tomacorriente cuando no la esté utilizando y antes de realizar servicio de revisión.
- Las chispas que se producen en el interior del motor pueden incendiar los vapores inflamables o el polvo. Para reducir el riesgo de incendio o explosión: No use la aspiradora cerca de líquidos, gases, o polvos combustibles como gasolina u otros combustibles,

líquido encendedor, limpiadores, pinturas a base de aceite, gas natural, polvo de carbón, polvo de magnesio, polvo de aluminio, polvo de granos de cereal o pólvora.

- No recoja con la aspiradora nada que esté ardiendo o humeando, como cigarrillos, fósforos o cenizas calientes.
- Para evitar el riesgo de autoignición de los residuos contenidos en el tambor, vacíe el tambor después de cada uso. Los materiales combustibles tales como los trapos y el aserrín, especialmente si contienen tinte o uretano, pueden ser causas de dicho sobrecalentamiento.
- No recoja con la aspiradora polvo de panel de yeso, ceniza fría de chimenea u otros polvos finos con un filtro estándar. Estos materiales pueden pasar por el filtro y pueden ser expulsados de vuelta al aire. Utilice un filtro para polvo fino en lugar de un filtro estándar.
- Para reducir el riesgo de inhalar vapores tóxicos, no recoja con la aspiradora materiales tóxicos o peligrosos ni la use cerca de dichos materiales.
- Para reducir el riesgo de descargas eléctricas, no exponga la aspiradora a la lluvia ni deje que entren líquidos en el compartimiento del motor. Guarde la aspiradora en un lugar interior.
- Esta aspiradora mojado/seco no se destina para utilizarse por personas (incluyendo niños) cuyas capacidades físicas, sensoriales o mentales sean diferentes o estén reducidas, o carezcan de experiencia o conocimiento, a menos que dichas personas reciban una supervisión o capacitación para el funcionamiento del aparato por una persona responsable de su seguridad.
- No permita que la aspiradora se utilice como un juguete. Se necesita prestar máxima atención cuando sea utilizada por niños o cerca de éstos.
- No use la aspiradora con un filtro desgarrado o sin tener el filtro instalado, excepto cuando recoja con ella líquidos de la manera que se describe en este manual. Los residuos secos absorbidos por el impulsor podrían dañar el motor o ser expulsados de vuelta al aire.

- Apague la aspiradora antes de desenchufarla.
- Para reducir el riesgo de lesiones debidas a un arranque accidental, desenchufe el cordón de energía antes de cambiar o limpiar el filtro.
- No desenchufe la aspiradora tirando del cordón. Para desenchufarla, agarre el enchufe y no el cordón.
- No use la aspiradora con el cordón dañado, el enchufe dañado u otras piezas dañadas. Si la aspiradora no funciona como debe, le faltan piezas, se ha caído, ha sido dañada, se ha dejado a la intemperie o se ha caído al agua, llame a servicio al cliente.
- No tire de la aspiradora usando el cordón ni la lleve por el cordón, ni use el cordón como asa, ni cierre una puerta sobre el cordón, ni tire del cordón alrededor de bordes o esquinas afilados. No pase la aspiradora en marcha sobre el cordón. Mantenga el cordón alejado de las superficies calientes.
- No maneje el enchufe, el interruptor o la aspiradora con las manos mojadas.
- Utilice únicamente cordones de extensión que tengan capacidad nominal para uso a la intemperie. Los cordones de extensión que estén en malas condiciones o tengan un tamaño de alambre demasiado pequeño pueden crear peligros de incendio y descargas eléctricas. Para reducir el riesgo de estos peligros, asegúrese de que el cordón esté en buenas condiciones y que el líquido no entre en contacto con la conexión. No utilice un cordón de extensión que tenga conductores con un diámetro menor al calibre 1,3 mm<sup>2</sup> (16 AWG).
- Conecte la aspiradora solamente a un tomacorriente conectado a tierra adecuadamente. Consulte las instrucciones de conexión a tierra.
- No ponga ningún objeto en las aberturas de ventilación. No recoja nada con la aspiradora cuando cualquiera de las aberturas de ventilación esté bloqueada; mantenga dichas aberturas libres de polvo, pelusa, pelo o cualquier cosa que pueda reducir el flujo de aire.
- Mantenga el pelo, la ropa holgada, los dedos y todas las partes del cuerpo alejados de las aberturas y de las piezas móviles.
- Para reducir el riesgo de caídas, tenga cuidado adicional al limpiar en escaleras.
- Para reducir el riesgo de lesiones de espalda o caídas, no levante una aspiradora que pese mucho debido a que contiene líquido o residuos. Saque parte del contenido de la aspiradora o drénela parcialmente para hacer que sea lo suficientemente liviana como para poder levantarla cómodamente.
- Para reducir el riesgo de lesiones corporales o daños a la aspiradora, utilice únicamente accesorios recomendados por RIDGID.
- Cuando utilice la aspiradora como soplador:
  - Dirija la descarga de aire solamente hacia el área de trabajo.
  - No dirija el aire hacia las personas que estén presentes.
  - Mantenga alejados a los niños durante la operación de soplado.
  - No utilice el soplador para trabajos que no sean soplar suciedad y residuos.
  - No use la aspiradora como rociador.
- Para reducir el riesgo de lesiones en los ojos, use protección ocular de seguridad. La utilización de cualquier aspiradora utilitaria o soplador utilitario puede hacer que se soplen objetos extraños hacia los ojos, lo cual puede causar daños graves en los ojos.
- Para reducir el riesgo de que una aspiradora rodante le golpee o tire de usted, bloquee las ruedecillas cuando utilice la unidad en cualquier superficie desigual o en pendiente.

#### PRECAUCIÓN:

- Para reducir el riesgo de daños a la audición, use protectores de oídos cuando utilice la aspiradora durante muchas horas seguidas o cuando la emplee en un área ruidosa.
- Para operaciones que generan polvo, use una máscara antipolvo.
- Las descargas de estática son comunes cuando la humedad relativa del aire es baja. Si recoge residuos finos con la aspiradora, se puede depositar carga estática en la manguera o en la aspiradora. El mejor remedio para reducir la frecuencia de las descargas de estática en su casa o cuando use esta aspiradora es añadir humedad al aire con un humidificador.

Siga las siguientes advertencias que aparecen en la caja del motor de la aspiradora.

#### ADVERTENCIA:

- Para su propia seguridad, lea y entienda el manual del operador.
- No tenga en marcha la aspiradora desatendida.
- No recoja cenizas calientes, carbón caliente, materiales tóxicos ni inflamables ni otros materiales peligrosos.
- No use la aspiradora alrededor de líquidos o vapores explosivos.

#### ADVERTENCIA:

Para reducir el riesgo de sacudidas eléctricas, no exponga la aspiradora a la lluvia y almacénela en interiores.

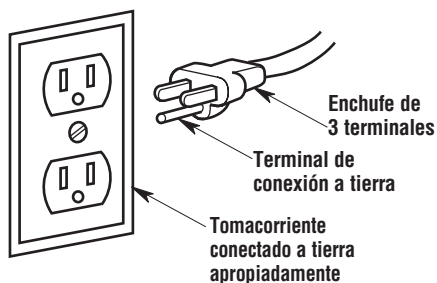
## GUARDE ESTE MANUAL

# Instrucciones de conexión a tierra

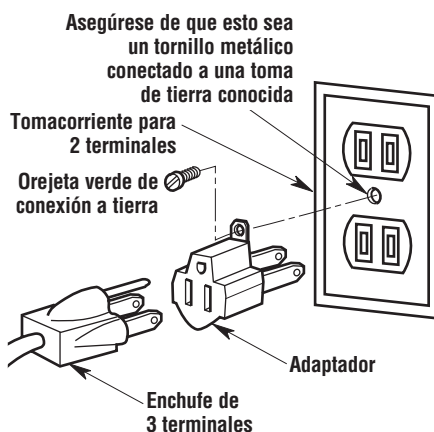
Este electrodoméstico se debe conectar a tierra. En caso de mal funcionamiento o avería, la conexión a tierra proporciona una ruta de resistencia mínima para la corriente eléctrica con el fin de reducir el riesgo de sacudidas eléctricas. Este electrodoméstico está equipado con un cordón que tiene un conductor de conexión a tierra del equipo y un enchufe de conexión a tierra. El enchufe debe introducirse en un tomacorriente apropiado que esté instalado correctamente y conectado a tierra adecuadamente, de acuerdo con todos los códigos y ordenanzas locales.

## **⚠ ADVERTENCIA:**

La conexión incorrecta del conductor de conexión a tierra del equipo puede causar un riesgo de sacudidas eléctricas. Consulte a un electricista calificado o a una persona de servicio competente si tiene dudas sobre si el tomacorriente está conectado a tierra apropiadamente. No modifique el enchufe suministrado con el electrodoméstico. Si el enchufe no cabe en el tomacorriente, haga que un electricista calificado instale un tomacorriente apropiado.



Este electrodoméstico está diseñado para utilizarse en un circuito de 120 V nominales y tiene un enchufe conectado a tierra que tiene un aspecto como el del enchufe que se muestra en la ilustración. Se puede utilizar un adaptador temporal, que tenga un aspecto como el del adaptador que se muestra en la ilustración, para conectar este enchufe a un receptáculo de dos polos, de la manera que se muestra en la ilustración, si no se dispone de un tomacorriente conectado a tierra apropiadamente. El adaptador temporal debe utilizarse únicamente hasta que un electricista calificado pueda instalar un tomacorriente conectado a tierra apropiadamente.



La orejeta, lengüeta o pieza similar rígida de color verde que sobresale del adaptador se debe conectar a una toma de tierra permanente, como por ejemplo una tapa de caja tomacorriente conectada a tierra apropiadamente. Siempre que se utilice el adaptador, se debe sujetar en la posición correcta con un tornillo metálico.

**NOTA:** En Canadá, el uso de un adaptador temporal no está permitido por el Código Eléctrico Canadiense.



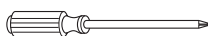
# Introducción

Esta aspiradora está clasificada para uso doméstico. Esta aspiradora para mojado/seco se suministra con un filtro de tres capas para polvo fino. La aspiradora se puede utilizar no sólo para recoger material como aserrín y grava, sino

también material ultrafino como polvo de panel de yeso y cenizas de chimenea frías. Estos tipos de materiales son tan pequeños que pasarían a través de los filtros tradicionales.

## Desempaquetado y comprobación del contenido de la caja de cartón

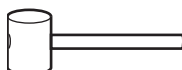
### Herramientas necesarias



Destornillador Phillips



Martillo



Mazo

Se recomienda:



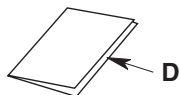
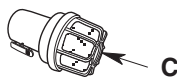
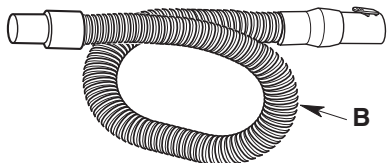
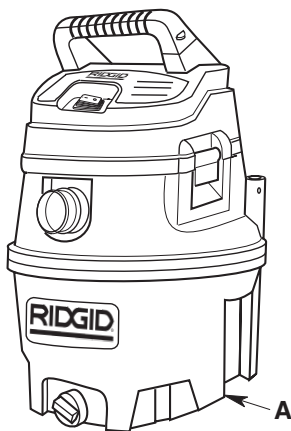
Bocallave de 5/8 de pulg.

Saque todo el contenido de la caja de cartón. Asegúrese de que no falte ningún artículo utilizando la lista del contenido de la caja. Llame al 1-800-4-RIDGID (1-800-474-3443) desde los EE.UU. y Canadá, y al 01-800-701-9811 desde México, o envíenos un correo electrónico a [info@RIDGID.com](mailto:info@RIDGID.com) si cualquier pieza está dañada o falta.

Consulte el dibujo de ensamblaje para averiguar el posicionamiento de las piezas.

### Lista del contenido de la caja de cartón

Clave	Descripción	Cant.
A	Ensamblaje de la aspiradora para mojado/seco .....	1
B	Manguera con fijación profesional.....	1
C	Silenciador/Difusor .....	1
D	Manual del usuario .....	1



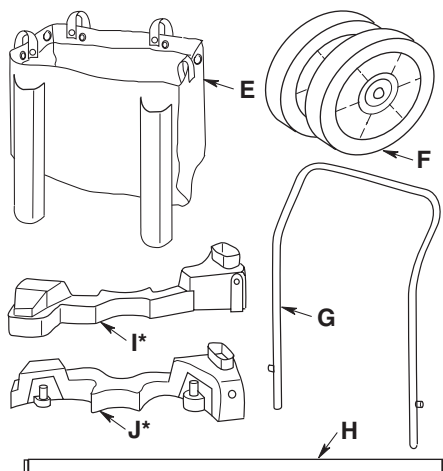
## Desempaquetado y comprobación del contenido de la caja de cartón (cont.)

### Lista del contenido de la caja de cartón

Caja de cartón que contiene las piezas siguientes:

Clave	Descripción	Cant.
E	Portaherramientas .....	1
F	Ruedas .....	2
G	Mango metálico .....	1
H	Eje .....	1
I*	Base de soporte derecha .....	1
J*	Base de soporte izquierda .....	1

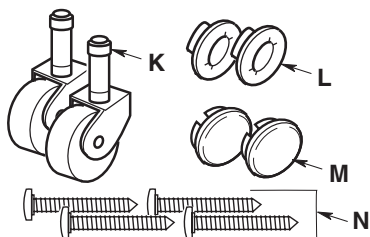
\* Estos artículos pueden venir preensamblados. Si no están presentes en la caja de cartón, compruebe el ensamblaje de la aspiradora para mojado/seco con el fin de verificar si están preensamblados.



### Lista del contenido de la caja de cartón

Bolsa de piezas sueltas que contiene lo siguiente:

Clave	Descripción	Cant.
K	Ruedecillas .....	2
L	Tuercas de tapa .....	2
M	Tapas de rueda .....	2
N	Tornillos de tipo AB No. 10 x 1-3/4 (44 mm) ...	4

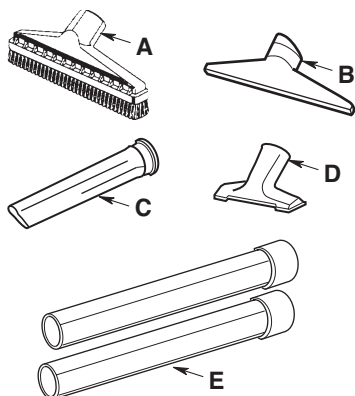


## Desempaquetado y comprobación del contenido de la caja de cartón (cont.)

### Accesorios de 2-1/2" (64 mm) para el número de existencias RV2400A o RV2400M

#### Lista del contenido de la caja de cartón

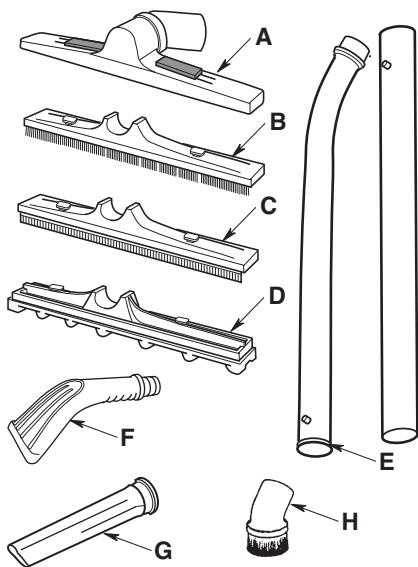
Clave	Descripción	Cant.
A	Cepillo para pisos .....	1
B	Boquilla para mojado .....	1
C	Boquilla rinconera .....	1
D	Boquilla de uso general .....	1
E	Tubos extensores .....	2



### Accesorios de 1-7/8" (46 mm) para el número de existencias RV2600B o RV2600M

#### Lista del contenido de la caja de cartón

Clave	Descripción	Cant.
A	Cuerpo multiboquilla .....	1
B	Inserto de cepillo para pisos .....	1
C	Inserto de barredora de goma .....	1
D	Inserto para alfombra .....	1
E	Tubos extensores .....	2
F	Boquilla angulada .....	1
G	Boquilla rinconera .....	1
H	Cepillo para polvo .....	1



# Ensamblaje del tambor/base de soporte

Si cualquiera de las piezas falta o está dañada, póngase en contacto con Servicio al Cliente.

No realice el ensamblaje hasta que tenga todas las piezas.

1. Quite las bases de soporte izquierda y derecha del tambor.

**\*Consejo:** Utilice una bocallave de 5/8 de pulgada (16 mm) para sujetar firmemente la tuerca de tapa mientras golpea el eje con un martillo.

2. Instale una tuerca de tapa en un lado de la varilla del eje. Golpe la tuerca suavemente con un mazo de goma o un martillo hasta que esté completamente asentada. Deslice el extremo abierto del eje a través de la rueda (con el lado liso de la rueda orientado hacia afuera).

3. Coloque el ensamblaje de la rueda y el eje a través de la base de soporte izquierda y luego a través de la base de soporte derecha, de la manera que se muestra en la ilustración.

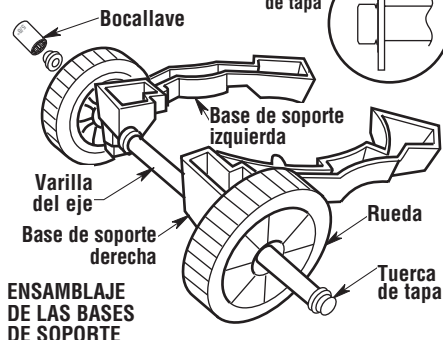
4. Luego, coloque la rueda restante en el ensamblaje de las bases de soporte (con el lado liso de la rueda orientado hacia afuera) e instale la segunda tuerca de tapa.

5. Invierta el tambor para instalar la base de soporte. Coloque el ensamblaje de la base de soporte sobre el tambor, de la manera que se muestra en la ilustración. Asegúrese de que las ruedas giren libremente y no entren en contacto con las bases de soporte.

6. Una vez que las bases de soporte estén alineadas sobre el tambor, golpee suavemente cada extremo de cada base de soporte hasta que se asiente firmemente. Se recomienda golpear la parte central de las bases de soporte delanteras, de la manera que se muestra en la ilustración.

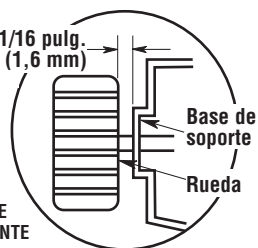
7. Utilizando un mazo de goma o un martillo, golpee suavemente las tapas de rueda, una en cada rueda, hasta que dichas tapas estén firmemente asentadas en cada rueda. Se requiere hacer esto tanto en los lados izquierdo como derecho.

NOTA: Lado liso de la rueda hacia el exterior.



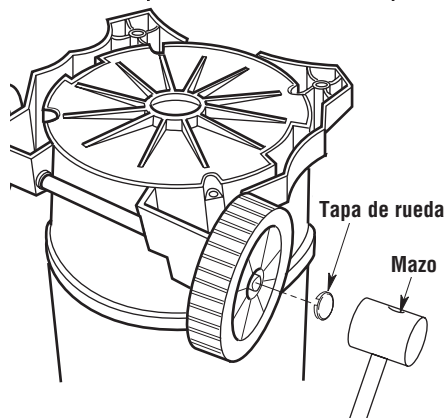
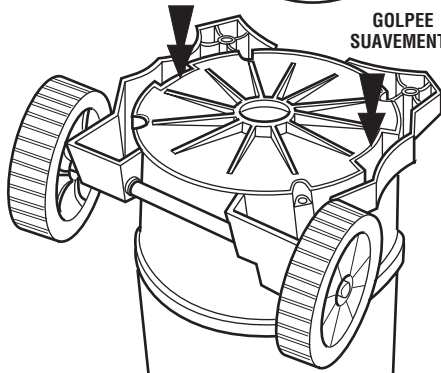
ENSAMBLAJE DE LAS BASES DE SOPORTE

Holgura de 1/16 pulg. (1,6 mm)



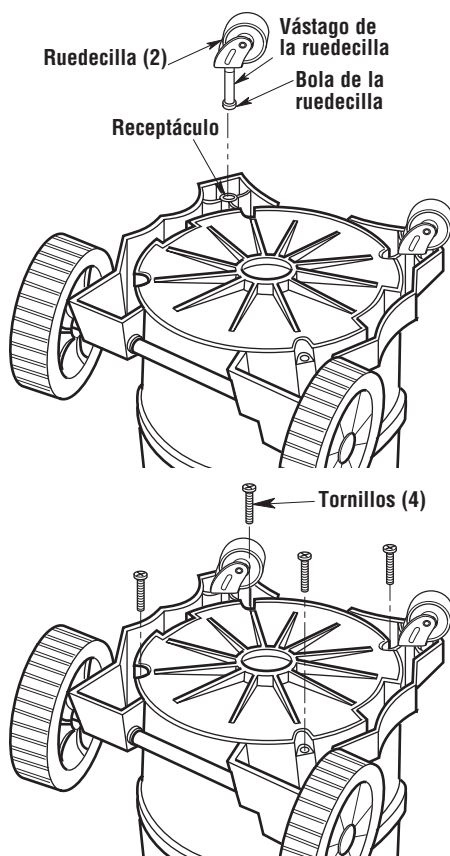
GOLPEE SUAVEMENTE

GOLPEE SUAVEMENTE



## Ensamblaje del tambor/base de soporte (cont.)

- Introduzca el vástago de la ruedecilla en el receptáculo del pie de ruedecilla, de la manera que se muestra en la ilustración (ruedecilla delantera solamente).
- Empuje sobre la ruedecilla hasta que la bola del vástago de la ruedecilla esté introducida completamente en el receptáculo. Usted podrá oír como la bola se acopla a presión en el receptáculo y la ruedecilla girará fácilmente cuando el posicionamiento sea correcto.
- Instale 4 tornillos en los agujeros coincidentes ubicados tanto en el lado derecho como en el lado izquierdo de la base de soporte, sujetando las bases de soporte a la parte inferior del tambor. Apriete los tornillos sólo hasta que queden perfectamente ajustados. No los apriete excesivamente en este momento, ya que esto podría tender a deformar las bases de soporte.



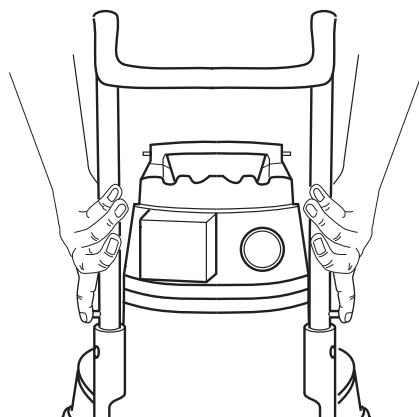
### Instalación del asa

Oprima y mantenga oprimidos los botones de liberación mientras instala el asa en los receptáculos para el asa ubicados en el tambor (vea la ilustración).

**NOTA:** Un chasquido audible de los botones de liberación indica un acoplamiento exitoso del asa.

### Remoción del asa

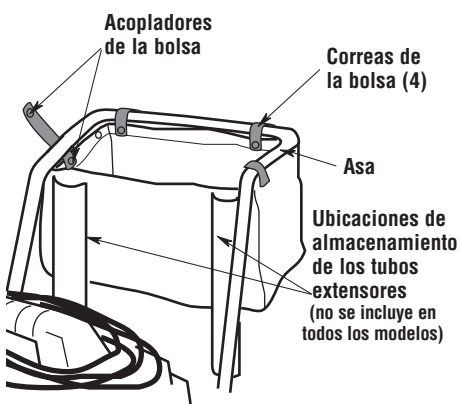
Oprima y mantenga oprimidos los botones de liberación, de la manera que se muestra en la ilustración. Mientras oprime firmemente los botones de liberación, tire del asa hacia arriba hasta quitarla (vea la ilustración).



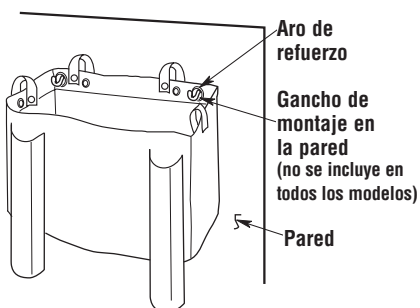
## Ensamblaje del tambor/base de soporte (cont.)

### Instalación del portaherramientas

1. Posicione el portaherramientas en el asa metálica con los portatubos extensores (no incluidos en todos los modelos) orientados hacia la unidad. Instale la bolsa de almacenamiento enrollando las cuatro correas de la bolsa de almacenamiento alrededor del asa metálica y acople a presión cada correa en la posición correcta, de la manera que se muestra en la ilustración.

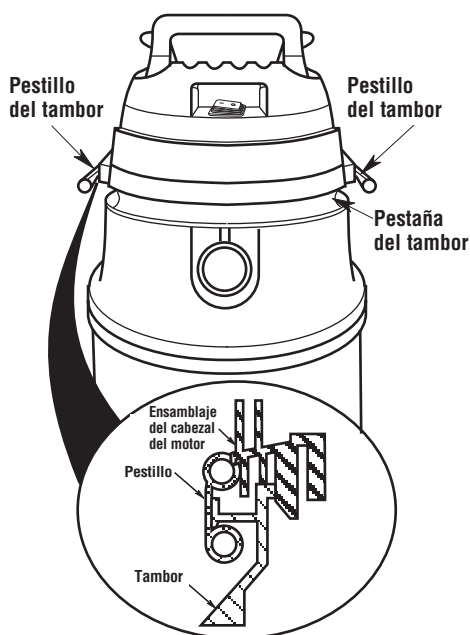


2. Como solución de almacenamiento alternativo, el portaherramientas puede colgar en una pared. Se deben sujetar firmemente a la pared dos ganchos de montaje en la pared (no se incluye en todos los modelos), de la manera que se muestra en la ilustración (los ganchos se venden por separado).



# Ensamblaje de la aspiradora para mojado/seco

1. Posicione el ensamblaje del cabezal del motor sobre el ensamblaje del tambor/base de soporte, de la manera que se muestra en la ilustración (ensamblado antes).
2. Gire ambos pestillos hacia abajo y presione hasta que los oiga acoplarse a presión sobre las pestañas del tambor.



## Introduzca la manguera

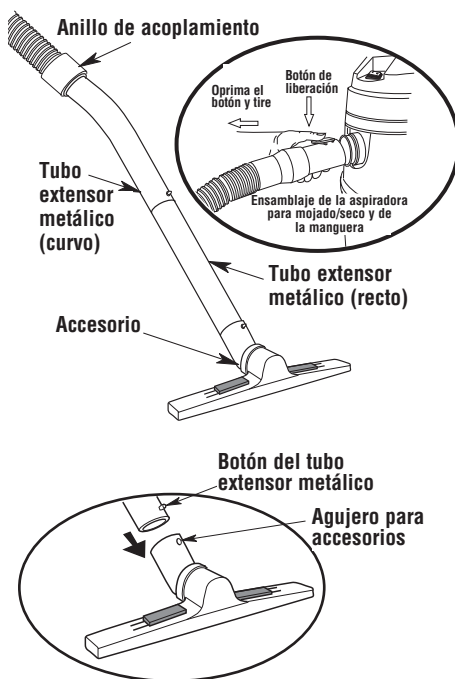
Inserte el extremo con botón pulsador de la manguera fijable profesional en la entrada de la aspiradora. La manguera fijable profesional se deberá acoplar a presión en la posición correcta.

Para retirar la manguera fijable profesional de la aspiradora, presione el botón de liberación del ensamblaje de la manguera y jale la manguera fijable profesional hasta sacarla de la entrada de la aspiradora, de la manera que se muestra en la ilustración.

Presione el tubo extensor metálico curvo hacia el interior del anillo de acoplamiento del extremo de la manguera fijable profesional.

Una los dos tubos extensores metálicos, alineando el botón y el agujero de manera que se acoplen uno con otro.

Instale los accesorios, alineando el botón y el agujero de manera que se acoplen juntos.



# Funcionamiento

## **⚠️ ADVERTENCIA:**

Para reducir el riesgo de incendio, explosión o daños a la aspiradora:

- No deje la aspiradora en marcha mientras esté desatendida. Usted podría no notar señales importantes que indiquen un funcionamiento anormal, tal como pérdida de succión, residuos o líquido que salen por el escape o ruidos anormales del motor. Deje de usar la aspiradora inmediatamente si observa estas señales.
- No deje la aspiradora enchufada cuando no se esté utilizando.
- No continúe usando la aspiradora cuando el flotador haya cortado la succión.
- Las chispas generadas dentro del motor pueden incendiar los materiales inflamables suspendidos en el aire. No utilice la aspiradora cerca de líquidos inflamables ni en áreas con gases o vapores inflamables o polvo explosivo/suspendido en el aire. Los líquidos inflamables, gases inflamables y los vapores inflamables incluyen: líquido encendedor, limpiadores tipo solvente, pinturas a base de aceite, gasolina, alcohol y rociadores tipo aerosol. Los polvos explosivos incluyen: carbón, magnesio, aluminio, grano de cereal y pólvora.
- No recoja con la aspiradora polvos explosivos, líquidos inflamables ni cenizas calientes.
- No deje aserrín ni trapos con residuos de tinte o de poliuretano dentro de la aspiradora. Vacíe el tambor después de recoger estos materiales potencialmente autocalentables.

## **⚠️ ADVERTENCIA:**

Para reducir el riesgo de descargas eléctricas o lesiones:

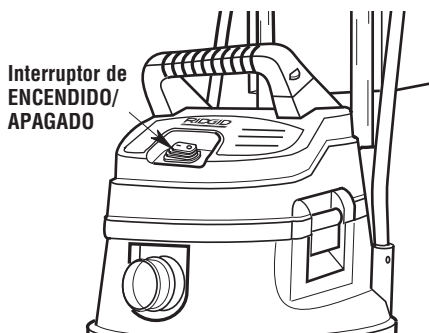
- No exponga la aspiradora a la lluvia ni deje que entre líquido en el compartimiento del motor. Almacene la aspiradora en un lugar interior.
- No maneje el enchufe, el interruptor o la aspiradora con las manos mojadas.
- Desenchufe la aspiradora antes de hacerle servicio de ajustes y reparaciones. Si la aspiradora no está funcionando como debería, le faltan piezas, se ha caído, ha sido dañada, se ha dejado a la intemperie o se ha caído al agua, devuélvala a un centro de servicio autorizado o llame a servicio al cliente.
- Cuando utilice un cordón de extensión, utilice únicamente cordones con capacidad nominal para uso a la intemperie que estén en buenas condiciones. No deje que la conexión entre en contacto con líquido.

**⚠️ PRECAUCIÓN:** Para reducir el riesgo de daños a la audición, use protectores de oídos cuando utilice la aspiradora/soplador durante un tiempo prolongado o en un área ruidosa.

Después de enchufar el cordón de energía en el tomacorriente, encienda la unidad empujando el interruptor de la posición “O” a la posición “I”. Los símbolos utilizados en el accionador del interruptor son los símbolos internacionales de “encendido y apagado”.

“O” es el símbolo de “APAGADO” y “I” es el símbolo de “ENCENDIDO”.

○ = APAGADO | = ENCENDIDO





## Funcionamiento (continuación)

Familiarícese con los accesorios que se incluyen con la aspiradora. Cada accesorio puede usarse de diversas maneras para aspirar y soplar residuos. A continuación hay una lista de los accesorios y de sus usos.

**Cuerpo multiboquilla** – Sujeta los accesorios para pisos para realizar aplicaciones de limpieza especiales: Inserto de cepillo para pisos, inserto de barredora de goma e inserto para alfombra. Para cambiar los insertos, deslice las lengüetas rojas hasta la posición “abierta” y tire del inserto desde el centro. Instale el inserto nuevo al ras con el cuerpo de la boquilla y deslice las lengüetas hasta la posición de “bloqueo”.

**Inserto de cepillo para pisos** – Se utiliza para limpiezas de áreas grandes en superficies lisas.

**Inserto de barredora de goma** – Se utiliza para recoger materiales mojados en superficies lisas, para recoger líquido y secar la superficie en una pasada.

**Inserto para alfombra** – Boquilla para recoger material seco y mojado para la mayoría de limpiezas de tapicería y alfombras.

**Boquilla angulada** – Se utiliza para recoger residuos en lugares difíciles de alcanzar.

**Cepillo para polvo** – Se utiliza para realizar limpieza detallada en espacios pequeños.

**Boquilla rinconera** – Se utiliza para recoger residuos en lugares difíciles de alcanzar.

**Silenciador/Difusor** – Se utiliza para dispersar la corriente de aire de escape a la vez que se reduce el ruido. Insértelo en el orificio de soplado.

**Tubos extensores** – Estos tubos pueden conectarse entre sí y proporcionan longitud adicional para tener más alcance.

**Manguera** – Proporciona transferencia de capacidad de aspiración o soplado al lugar de trabajo. Proporciona los medios para acoplar los tubos extensores y las boquillas.

**Boquilla utilitaria** – Boquilla de uso general para la mayoría de aplicaciones de aspiración.

**Boquilla para mojado** – Se utiliza para recoger materiales mojados en superficies lisas, para recoger líquido y secar la superficie en una pasada.

**Cepillo para pisos** – Se utiliza para limpiezas de áreas grandes en superficies lisas.

## Recogida de materiales secos con la aspiradora

1. El filtro debe estar siempre en la posición correcta para reducir el riesgo de fugas y posibles daños a la aspiradora.
2. La aspiradora para mojado/seco viene con el filtro VF5000 instalado. Al utilizar la aspiradora para recoger polvo muy fino, será necesario que usted vacíe el tambor y limpie el filtro a intervalos más frecuentes para mantener un rendimiento óptimo.

**NOTA:** Se necesita un filtro seco para recoger material seco. Si utiliza la aspiradora para recoger polvo cuando el filtro está mojado, éste se atascará rápidamente y será muy difícil limpiarlo.

## Recogida de líquidos con la aspiradora

### IMPORTANTE:

1. Cuando recoja pequeñas cantidades de líquido (2-4 pulgadas (5-10 cm) de líquido en el fondo del tambor), se podrá dejar instalado el filtro.
2. Cuando recoja cantidades más grandes de líquido (más de 4 pulgadas (10 cm) de líquido en el fondo del tambor), recomendamos que se retire el filtro. Si no se retira el filtro, éste se saturará y podrá aparecer niebla en el chorro de aire de escape.



## ADVERTENCIA:

No utilice la aspiradora sin la jaula del filtro y el flotador, ya que estas piezas evitan que entre líquido en el impulsor y dañe el motor.

## Funcionamiento (continuación)

- Después de usar la aspiradora para recoger líquidos, se debe secar el filtro para reducir el riesgo de posible moho y daños al filtro.
- Cuando el líquido que se encuentre en el tambor alcance un nivel predeterminado, el mecanismo del flotador subirá automáticamente para cortar el flujo de aire. Cuando esto suceda, apague la aspiradora, desenchufe el cordón de energía y vacíe el tambor. Sabrá que el flotador ha subido porque el flujo de aire de la aspiradora cesará y subirá el tono del ruido del motor debido a que se producirá un aumento de la velocidad del mismo.

**IMPORTANTE:** Para reducir el riesgo de daños a la aspiradora, no tenga en marcha el motor con el flotador en la posición elevada.

### Vaciado del tambor

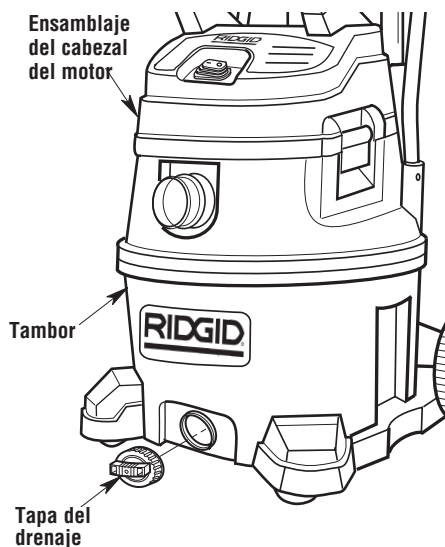
#### **⚠ ADVERTENCIA:**

Para reducir el riesgo de lesiones debidas a un arranque accidental, desenchufe el cordón de energía antes de vaciar el tambor.

#### **⚠ ADVERTENCIA:**

Para reducir el riesgo de que se produzcan lesiones en la espalda o caídas, no levante la aspiradora si pesa demasiado debido a que contiene líquido o residuos. Saque o haga salir una cantidad suficiente del contenido para hacer que la aspiradora sea suficientemente liviana como para poder levantarla cómodamente.

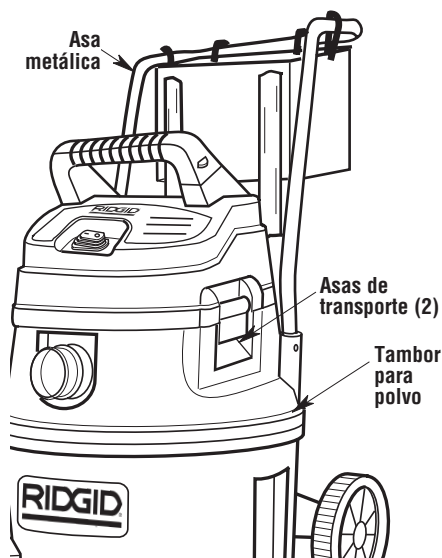
- La aspiradora viene equipada con un drenaje para vaciarla fácilmente de líquidos. Simplemente desenrosque la tapa del drenaje y levante ligeramente el lado opuesto para vaciar el tambor.
- Otra opción es quitar el ensamblaje del cabezal del motor.
- Ponga a un lado el ensamblaje del cabezal del motor en un área limpia mientras vacía el tambor.
- Vierta el contenido del tambor en el recipiente de eliminación de residuos apropiado.



### Traslado de la aspiradora para mojado/seco

En caso de que sea necesario levantar la aspiradora para trasladarla, las asas de transporte ubicadas a cada lado del tambor para polvo se utilizan para levantarla.

Para maniobrar la aspiradora se debe utilizar el asa metálica ubicada en la parte trasera de la unidad.

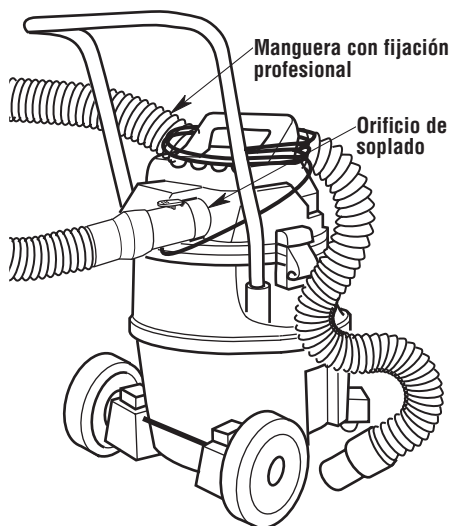


## Funcionamiento (continuación)

### Dispositivo de soplado

La aspiradora cuenta con un orificio de soplado. Puede soplar aserrín y otros residuos. Siga los pasos que se indican a continuación para usar la aspiradora como soplador.

1. Localice el orificio de soplado de la aspiradora.
2. Inserte el extremo de fijación de la manguera fijable profesional en el orificio de soplado de la aspiradora. La manguera fijable profesional se deberá acoplar a presión en la posición correcta. Para retirar la manguera fijable profesional de la aspiradora, presione el botón de liberación ubicado en el ensamblaje de la manguera y jale la manguera hasta sacarla del orificio de soplado de la aspiradora.
3. (Opcional) Acople un tubo extensor en el extremo opuesto de la manguera fijable profesional.
4. Encienda la aspiradora y estará lista para utilizarse como soplador.



### **⚠ ADVERTENCIA:**

Use siempre protectores oculares de seguridad que cumplan con la norma ANSI Z87.1 (o en Canadá, con la norma CSA Z94.3) antes de utilizar la aspiradora como soplador.

### **⚠ ADVERTENCIA:**

Para reducir el riesgo de lesiones a las personas que estén presentes, manténgalas alejadas de los residuos soplados.

**⚠ PRECAUCIÓN:** Use una máscara antipolvo si el soplado genera polvo que podría ser inhalado.

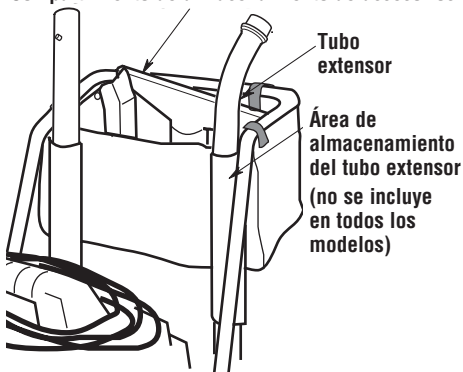
**⚠ PRECAUCIÓN:** Para reducir el riesgo de daños a la audición, use protectores de oídos cuando utilice la aspiradora/soplador durante muchas horas seguidas o cuando la utilice en un área ruidosa.

## Almacenamiento de accesorios

Los accesorios se pueden almacenar en la bolsa de almacenamiento o en las dos ubicaciones que se encuentran en la base de soporte derecha/izquierda.

**NOTA:** Introduzca el extremo macho del tubo extensor en el manguito del portador (no se incluye en todos los modelos) de la manera que se muestra en la ilustración.

### Compartimiento de almacenamiento de accesorios



## Almacenamiento de la manguera

La manguera con fijación profesional se puede almacenar enrollándola alrededor de la unidad e introduciendo el extremo abierto en una de las ubicaciones de almacenamiento que están en el ensamblaje de las bases de soporte.

**▲ PRECAUCIÓN:** No utilice la aspiradora mientras la manguera aún esté enrollada alrededor del ensamblaje del cabezal del motor en la posición de almacenamiento.

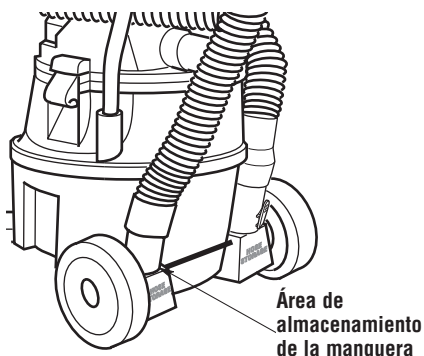
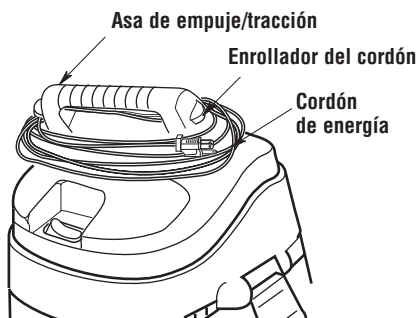
## ▲ ADVERTENCIA:

No ponga ningún objeto en las aberturas de ventilación. No recoja nada con la aspiradora cuando cualquiera de las aberturas de ventilación esté bloqueada; mantenga dichas aberturas libres de polvo, pelusa, pelo o cualquier cosa que pueda reducir el flujo de aire.

## Enrollado del cordón

Cuando se haya completado la limpieza con la aspiradora, desenchufe el cordón de energía y enróllelo alrededor del ensamblaje del cabezal del motor. Sujete firmemente dicho cordón utilizando el clip para cordón ubicado en el enchufe.

El cordón de energía se deberá enrollar debajo del asa de empuje/tracción (encima de la entrada) y alrededor y debajo del enrollador del ubicado en la cubierta del motor.



# Mantenimiento

## Filtro

### **ADVERTENCIA:**

Para reducir el riesgo de lesiones debidas a un arranque accidental, desenchufe el cordón de energía antes de cambiar o limpiar el filtro.

Las aspiradoras para seco/mojado se suministran con el filtro Qwik Lock™ de tres capas de RIDGID. Los filtros Qwik Lock™ de tres capas de reemplazo están disponibles en el establecimiento donde usted compró su aspiradora. Pida el filtro de Qwik Lock™ de tres capas de RIDGID VF5000.

**NOTA:** Este filtro está hecho de papel de alta calidad diseñado para detener partículas de polvo muy pequeñas. El filtro se puede usar para recoger material mojado o seco. Maneje el filtro cuidadosamente al quitarlo para limpiarlo o al instalarlo. Es posible que se produzcan arrugas en los pliegues del filtro, pero dichas arrugas no afectarán el funcionamiento del filtro.

## Remoción e instalación del filtro Qwik Lock™

### Remoción del filtro:

1. Sostenga las lengüetas del filtro Qwik Lock™ en cada mano.
2. Con un dedo pulgar en el vástago Qwik Lock™, que sobresale a través de la placa del filtro integrada, levante las lengüetas del filtro a la vez que empuja hacia abajo sobre el vástago.
3. Esta acción hará que el filtro se suelte de la jaula del filtro. Deslice el filtro hasta retirarlo de la jaula.

**IMPORTANTE:** Para evitar daños a la rueda del soplador y al motor, vuelva a instalar siempre el filtro antes de usar la aspiradora para recoger material seco.

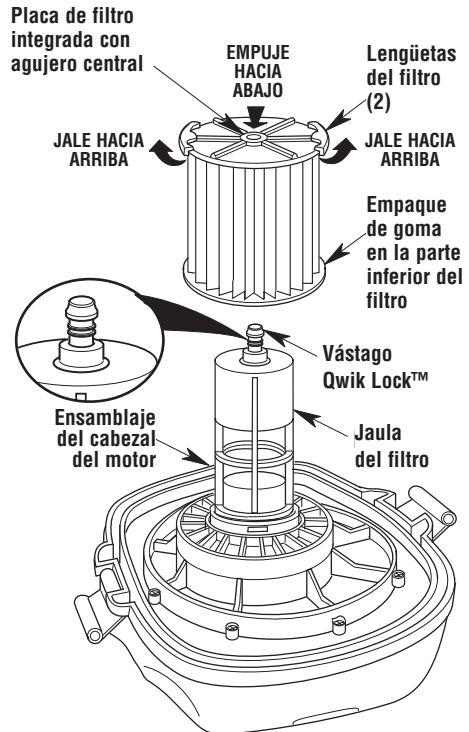
### Instalación del filtro:

1. Deslice cuidadosamente el filtro Qwik Lock™ sobre la jaula del filtro y presione hacia abajo sobre el borde exterior del filtro hasta que el empaque de goma ubicado en la parte inferior del filtro se asiente firmemente alrededor de la base de la jaula del filtro y contra el ensamblaje del cabezal del motor.
2. Alinee el agujero central pequeño ubicado en la parte superior del filtro sobre el vástago Qwik Lock™ ubicado en la jaula del filtro. Presione firmemente sobre la parte de arriba del filtro cerca del vástago, para permitir que el filtro se acople a presión sobre la bola ubicada en el extremo del vástago. Una vez hecho esto, el filtro estará instalado.

**NOTA:** Si no se asienta apropiadamente el empaque inferior, el resultado podría ser que los residuos rodeen el filtro.

### **ADVERTENCIA:**

No utilice la aspiradora sin la jaula del filtro y el flotador, ya que estas piezas evitan que entre líquido en el impulsor y dañe el motor.



# Mantenimiento (continuación)

## Limpieza del filtro

El filtro se debe limpiar a menudo para mantener un rendimiento óptimo de la aspiradora.

## Limpieza de un filtro seco

1. Se puede lograr una extracción parcial de residuos sin quitar el filtro de la aspiradora. Golpee la parte superior del ensamblaje del cabezal del motor con la mano mientras la aspiradora está apagada.
2. Para obtener óptimos resultados de limpieza debido a la acumulación de polvo, limpie el filtro en un área abierta. La limpieza SE DEBE realizar al aire libre y no en el interior de la vivienda.
3. Después de quitar el filtro de la aspiradora, saque los residuos secos golpeando suavemente el filtro contra la pared interior del tambor para polvo. Los residuos se soltarán y caerán.
4. Para una limpieza a fondo del filtro seco con polvo fino (sin residuos), haga pasar agua a través del filtro tal como se describe bajo "Limpieza de un filtro mojado".

## Limpieza de un filtro mojado

Después de quitar el filtro, haga pasar agua a través de él usando una manguera o desde una espita. Tenga cuidado de que la presión del agua procedente de la manguera no sea tan fuerte como para dañar el filtro.

**IMPORTANTE:** Después de limpiar el filtro, compruebe si éste tiene desgarraduras o agujeros pequeños. No use un filtro que tenga agujeros o desgarraduras. Incluso un agujero pequeño puede hacer que salga mucho polvo de la aspiradora. Si el filtro está desgastado o dañado, reemplácelo inmediatamente.

Asegúrese de secar el filtro antes de guardar la aspiradora o de recoger residuos secos.

## Limpieza y desinfección de la aspiradora para mojado/seco

Para mantener el mejor aspecto posible de la aspiradora para mojado/seco, limpie su exterior con un paño humedecido con agua templada y un jabón suave.

Para limpiar el tambor:

1. Vacíe de residuos el tambor.
2. Lave a fondo el tambor con agua templada y un jabón suave.
3. Limpie el tambor con un paño seco.

Antes de un almacenamiento prolongado o según sea necesario (por ejemplo, si se recogen aguas residuales), se debe desinfectar el tambor.

Para desinfectar el tambor:

1. Eche 1 galón (4 L) de agua y 1 cucharadita (5 mL) de blanqueador de cloro en el tambor.
2. Deje que la solución repose durante 20 minutos y agítela cuidadosamente cada pocos minutos, asegurándose de mojar todas las superficies interiores del tambor.
3. Vacíe el tambor después de 20 minutos. Enjuáguelo con agua hasta que el olor a blanqueador desaparezca. Deje que el tambor se seque completamente antes de sellar el motor sobre el tambor.

## Mantenimiento (continuación)

### Mantenimiento del cordón

Cuando se haya completado la limpieza con la aspiradora, desenchufe el cordón de energía y enróllelo alrededor del ensamblaje del cabezal del motor. Si el cordón de energía está dañado, debe ser reemplazado por el fabricante o su agente de servicio o por personal similarmente calificado, para reducir el riesgo de accidente.

### Almacenamiento

Antes de almacenar la aspiradora, se debe vaciar y limpiar el tambor para polvo. El cordón se debe enrollar alrededor del ensamblaje del cabezal del motor y la manguera se debe almacenar de la manera descrita en este manual. Los accesorios se deben mantener en la misma área que la aspiradora para que estén al alcance de la mano cuando se necesiten. La aspiradora se debe almacenar en interiores.

### Ruedecillas y ruedas

Si el carro rechina o es difícil de hacer rodar, debe poner dos o tres gotas de aceite de uso general en el eje de cada rueda. Si las ruedecillas hacen ruido, puede poner una gota de aceite en el eje del rodillo para que hagan menos ruido.

### Armazón y mangos

El mango metálico está pintado para impedir la formación de herrumbre. Sin embargo, los líquidos y los residuos corrosivos deben limpiarse con un paño suave si entran en contacto con el mango.



### **ADVERTENCIA:**

Para garantizar la **SEGURIDAD** y **CONFIABILIDAD** del producto, las reparaciones y los ajustes deben realizarse por Centros de Servicio autorizados, usando siempre piezas de repuesto RIDGID.

## Aspiradora para seco/mojado doméstica de 2 etapas de gran capacidad Números de modelo RV2400, RV26000, RV2400MO y RV2600MO

Clasificaciones eléctricas:

120 V~ 11,5 A 60 Hz

Las piezas RIDGID se encuentran disponibles en línea a  
[store.ridgid.com/provacs](http://store.ridgid.com/provacs)

Pida siempre por número de pieza —no por número de clave



### **ADVERTENCIA:**

Para reducir el riesgo de lesiones por causa de descargas eléctricas, desenchufe el cordón de energía antes de hacer servicio de ajustes y reparaciones a las piezas eléctricas de la aspiradora para mojado/seco.



### **ADVERTENCIA:**

Todo el desmontaje y todas las reparaciones deberán ser realizados por personal calificado.



## Símbolo de calidad, durabilidad y confiabilidad

Esta garantía es válida solamente para los EE.UU. y Canadá.

Para obtener información sobre la garantía mexicana, sírvase consultar la hoja adjunta.

- **Qué está cubierto**

Se garantiza que las aspiradoras para mojado/seco RIDGID® están libres de defectos de fabricación y de materiales.

- **Cuánto dura la cobertura**

Esta garantía dura toda la vida de las aspiradoras para mojado/seco RIDGID®.

- **Cómo puede obtener servicio**

Para obtener el beneficio de esta garantía, envíe el producto completo mediante transporte prepagado a RIDGE TOOL COMPANY, Elyria, Ohio, o a cualquier CENTRO DE SERVICIO INDEPENDIENTE RIDGID®. Las llaves para tubos y otras herramientas de mano deben devolverse al establecimiento de compra.

- **Qué haremos para corregir los problemas**

Las aspiradoras para mojado/seco garantizadas serán reparadas o reemplazadas, a opción de Ridge Tool Company, y serán devueltas sin cargo; o si después de tres intentos de reparar o reemplazar la aspiradora para mojado/seco durante el período de garantía ésta aún presenta defectos, usted puede optar por recibir un reembolso completo de su precio de compra.

- **Qué no está cubierto**

Las averías debidas a uso incorrecto, abuso o desgaste por el uso normal no están cubiertas por esta garantía. **RIDGE TOOL NO SERÁ RESPONSABLE DE NINGÚN DAÑO FORTUITO NI EMERGENTE.**

- **Cómo se relaciona la ley local con la garantía**

Algunos estados no permiten la exclusión o limitación de los daños fortuitos o emergentes, por lo que es posible que la limitación o exclusión que antecede no tenga aplicación en su caso. Esta garantía le confiere a usted derechos específicos y es posible que también tenga otros derechos, que varían de un estado a otro, una provincia a otra o un país a otro.

- **Ninguna otra garantía expresa tiene aplicación**

Esta GARANTÍA COMPLETA DE POR VIDA es la garantía única y exclusiva de las aspiradoras para mojado/seco RIDGID®. Ningún empleado, agente, distribuidor u otra persona está autorizado a alterar esta garantía ni a dar ninguna otra garantía en nombre de Ridge Tool Company.

No. de existencias RV2400A o RV2600B, RV2600M & RV2600M, RV2400MO & RV2600MO

No. de modelo RV240000 o RV26000

Número de serie \_\_\_\_\_

El número de modelo y el número de serie se pueden encontrar cerca del orificio de soplado.

Debe anotar tanto el número de modelo como el de serie en un lugar seguro para uso futuro.

**¿PREGUNTAS O COMENTARIOS? COMUNÍQUESE CON NOSOTROS EN  
[ridgid.com/warranty](http://ridgid.com/warranty)**

**1-800-4-RIDGID (1-800-474-3443) desde los EE.UU. y Canadá**

**01-800-701-9811 desde México**

Por favor, tenga a mano su número de modelo y número de serie cuando llame.



**EMERSON**

**[www.RIDGID.com](http://www.RIDGID.com)**

© 2018 Emerson

No. de pieza SP6729

Formulario No. SP6729-5

Impreso en México 11/18

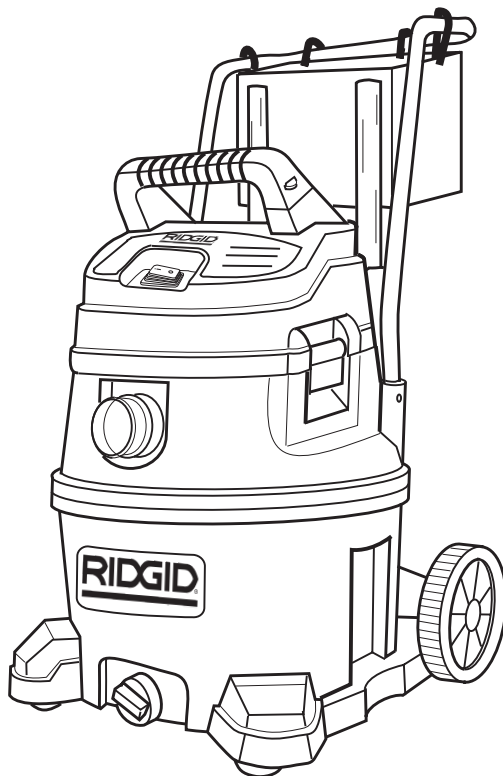


# RIDGID®

## MODE D'EMPLOI

GRANDE CAPACITÉ – ASPIRATEURS  
MÉNAGERS DE LIQUIDES ET DE  
POUSSIÈRES À DEUX ÉTAGES

**RV24000, RV26000,  
RV2400M0, RV2600M0**



EN CAS DE QUESTIONS OU POUR OBTENIR DES INFORMATIONS,  
VEUILLEZ NOUS CONTACTER AU :

[www.RIDGIDvacs.com](http://www.RIDGIDvacs.com)

Aux États-Unis et au Canada, appelez le 1-800-4-RIDGID

Au Mexique, appelez le 01-800-701-9811

### **⚠ AVERTISSEMENT :**

Pour réduire le risque de blessure, l'utilisateur doit lire et comprendre le mode d'emploi avant d'utiliser ce produit.

Merci d'avoir acheté un produit RIDGID.

• Español – página 21

**CONSERVER CE MANUEL POUR RÉFÉRENCE FUTURE**

Pièce N° SP6729

Imprimé au Mexique

# Table des matières

Sujet	Page	Sujet	Page
Table des matières . . . . .	42	Aspiration de liquides . . . . .	53
Instructions importantes relatives à la sécurité . . . . .	42	Vidage du tambour . . . . .	54
Termes de signalisation pour la sécurité . . . . .	42	Transport de l'aspirateur de liquides et de poussières . . . . .	54
Instructions relatives à la mise à la terre . . . . .	44	Fonction de soufflante . . . . .	55
Introduction . . . . .	45	Rangement des accessoires . . . . .	56
Déballage et vérification du contenu du carton . . . . .	45	Enroulement du cordon . . . . .	56
Assemblage du tambour/chariot . . . . .	48	Rangement du tuyau flexible . . . . .	56
Assemblage de l'aspirateur de liquides et de poussières . . . . .	51	Entretien . . . . .	57
Fonctionnement . . . . .	52	Garantie . . . . .	60
Aspiration de matériaux secs . . . . .	53		

## INSTRUCTIONS IMPORTANTES RELATIVES À LA SÉCURITÉ

La sécurité est une combinaison de faire preuve de bon sens, rester vigilant et savoir comment votre aspirateur de liquides et de poussières (l'« aspirateur ») fonctionne.

### Termes de signalisation de questions de sécurité

**⚠ DANGER** : Indique une situation dangereuse qui, si elle n'est pas évitée, causera la mort ou une blessure grave.

**⚠ AVERTISSEMENT** : Indique une situation dangereuse qui, si elle n'est pas évitée, risque de causer la mort ou une blessure grave.

**⚠ MISE EN GARDE** : Indique une situation dangereuse qui, si elle n'est pas évitée, pourrait causer une blessure légère ou modérée.

Prenez toujours des précautions élémentaires, notamment les précautions suivantes, lorsque vous utilisez votre aspirateur de liquides et de poussières :

### ⚠ AVERTISSEMENT :

#### — Pour réduire le risque d'incendie, de choc électrique ou de blessure :

- Lisez et comprenez ce manuel et toutes les étiquettes placées sur l'aspirateur avant de mettre celui-ci en marche.
- N'utilisez l'aspirateur que comme cela est décrit dans ce mode d'emploi.
- Ne laissez pas l'aspirateur en marche pendant que vous êtes absent – vous vous risqueriez de manquer des signes importants indiquant un fonctionnement anormal, comme une perte de puissance d'aspiration, la sortie de débris ou de liquides par la bouche de soufflage d'air ou des bruits anormaux en provenance du moteur. Cessez immédiatement d'utiliser l'aspirateur si vous constatez de tels signes.
- Ne laissez pas l'aspirateur sans surveillance quand il est branché dans une prise de courant. Débranchez-le de la prise quand il n'est pas utilisé et avant toute opération de maintenance.
- Des étincelles à l'intérieur du moteur risquent de mettre feu à des vapeurs ou poussières inflammables. Pour réduire le risque d'incendie

ou d'explosion : n'utilisez pas à proximité de gaz ou de liquides inflammables ou combustibles, ou de poussières explosives, comme de l'essence automobile ou d'autres fiouls, de l'essence à briquet, des produits de nettoyage, de la peinture à l'huile, du gaz naturel, de la poussière de charbon, de la poussière de magnésium, de la poussière d'aluminium, de la poussière de céréales ou de la poudre noire.

- N'aspirez jamais de matières en train de brûler ou des matières fumigènes, telles que des cigarettes, des allumettes ou des cendres chaudes.
- Videz le tambour après chaque utilisation pour éviter le risque d'auto-inflammation des débris du tambour. Les matériaux combustibles, tels que des chiffons ou de la sciure contenant des colorants ou de l'uréthane, peuvent être des sources d'une telle surchauffe.
- N'aspirez jamais de poussières de plaques de plâtre, de suie ou de cendres de cheminée froides lorsqu'un filtre pour aspirateur de liquides et de poussières standard. Il s'agit de poussières très fines qui risqueraient d'être projetées à nouveau dans l'air ambiant. Utilisez un filtre à poussières fines à la place.
- Pour réduire le risque d'inhalation de vapeurs toxiques, n'aspirez pas de matériaux toxiques ou dangereux, et n'utilisez pas à proximité de tels matériaux.
- Pour réduire le risque de choc électrique, n'exposez pas à la pluie et empêchez l'entrée de liquides dans le compartiment du moteur. Rangez à l'intérieur.
- Cet aspirateur de liquides et de poussières n'est pas conçu pour emploi par des personnes (y compris des enfants) ayant des capacités physiques, sensorielles ou mentales réduites, ou qui n'ont pas l'expérience ou les connaissances nécessaires, sauf en cas de supervision ou d'instructions sur l'utilisation de cet appareil par une personne responsable de leur sécurité.
- Ne laissez pas les enfants se servir de l'aspirateur comme d'un jouet. Il faut surveiller de très près quand il est utilisé par des enfants ou à proximité d'enfants.
- N'utilisez pas avec un filtre déchiré ou sans avoir installé de filtre, sauf quand vous aspirez des liquides, comme cela est décrit dans ce mode d'emploi. Des débris secs capturés par la roue

risquent d'endommager le moteur ou d'être expulsés à nouveau dans l'air ambiant.

- Éteignez l'aspirateur avant de le débrancher.
- Pour réduire le risque de blessure pouvant être causée par une mise en marche accidentelle, débranchez le cordon d'alimentation avant de changer le filtre ou de le nettoyer.
- Ne débranchez pas en tirant sur le cordon. Pour débrancher, saisissez la fiche – pas le cordon.
- N'utilisez pas l'aspirateur avec une fiche, un cordon ou un autre composant endommagé. Si votre aspirateur ne fonctionne pas comme il faut, s'il manque des pièces, s'il quelqu'un l'a laissé tomber, s'il est endommagé, s'il a été laissé à l'extérieur ou s'il est tombé dans de l'eau, téléphonez au service d'assistance à la clientèle.
- Ne tirez pas l'aspirateur et ne le portez pas par son cordon, n'utilisez pas le cordon pour servir de poignée, ne fermez pas une porte sur le cordon et ne laissez pas le cordon tendu passer sur des bords ou des coins tranchants. Ne traînez pas l'aspirateur sur son cordon. Maintenez le cordon à distance des surfaces chauffées.
- Ne touchez pas la fiche, l'interrupteur ou l'aspirateur avec des mains mouillées.
- Utilisez seulement des cordons de rallonge qui sont conçus pour emploi à l'extérieur. Les cordons de rallonge en mauvais état ou trop petits en termes de calibre des fils peuvent poser des risques d'incendie et de choc électrique. Pour réduire le risque de tels dangers, inspectez les cordons pour vous assurer qu'ils sont en bon état et que le liquide n'entre pas en contact avec le raccordement. N'utilisez pas de cordon de rallonge avec des conducteurs de taille inférieure au calibre 16 (AWG).
- Raccorder à une prise de courant correctement mise à la terre. Voir instructions relatives à la mise à la terre.
- Ne mettez aucun objet dans les orifices de ventilation. N'aspirez pas quand de quelconques orifices de ventilation sont obstrués; assurez-vous que ces orifices ne sont pas bloqués par de la poussière, de la peluche, des cheveux ou de quelconques objets pouvant réduire la circulation de l'air.
- Gardez les cheveux, les vêtements flottants, les doigts et toutes les parties du corps à distance des orifices et des pièces mobiles.
- Pour réduire le risque de chute, faites très attention lorsque vous utilisez l'aspirateur dans des escaliers.
- Pour réduire le risque de vous faire mal au dos ou de tomber, ne soulevez pas un aspirateur qui est lourd en raison de la présence de liquides ou de débris aspirés. Videz partiellement l'aspirateur en écopant ou en purgeant de façon à l'alléger pour pouvoir le soulever plus facilement.
- Pour réduire le risque de blessure ou le risque d'endommagement de l'aspirateur, n'utilisez que des accessoires recommandés par RIDGID.

- En cas d'utilisation de l'aspirateur comme soufflante :
  - Ne dirigez la décharge d'air que vers la zone de travail.
  - Ne dirigez pas l'air vers des personnes présentes à proximité.
  - Gardez les enfants à distance lors du fonctionnement de la soufflante.
  - N'utilisez la soufflante que pour souffler des saletés et des débris.
  - N'utilisez pas en guise de pulvérisateur.
- Pour réduire le risque de blessure pour les yeux, portez des lunettes de sécurité. L'utilisation de toute soufflante ou de tout aspirateur utilitaire peut toujours causer la projection de corps étrangers dans les yeux, ce qui risque d'entraîner des blessures graves aux yeux.
- Pour réduire le risque d'être frappé ou entraîné par un aspirateur en train de rouler, bloquez les roulettes lorsque vous utilisez l'aspirateur sur une surface inégale ou inclinée.

#### MISE EN GARDE :

- Pour réduire le risque de perte auditive, portez des protecteurs d'oreilles lorsque vous vous servez de l'aspirateur pendant plusieurs heures ou quand vous l'utilisez dans un endroit bruyant.
- Portez un masque antipoussières en cas d'utilisation dans un environnement poussiéreux.
- Les décharges statiques sont fréquentes dans les endroits secs ou lorsque l'humidité relative de l'air ambiant est faible. L'aspiration de débris fins avec votre aspirateur peut déposer une charge statique sur le tuyau ou sur l'aspirateur. La meilleure chose à faire pour réduire la fréquence des décharges statiques chez vous ou lorsque vous utilisez cet aspirateur consiste à ajouter de l'humidité dans l'air avec un humidificateur.

Observez les avertissements suivants qui figurent sur le carter du moteur de votre aspirateur :

#### **AVERTISSEMENT :**

- **Pour votre propre sécurité, lisez et comprenez le manuel de l'opérateur.**
- **Ne laissez jamais l'aspirateur en marche sans surveillance.**
- **Ne ramassez pas de cendres chaudes, de charbon ou de matières toxiques, inflammables ou dangereuses.**
- **N'utilisez pas à proximité de vapeurs ou de liquides explosifs.**

#### **AVERTISSEMENT :**

**Pour réduire le risque de choc électrique – n'exposez pas à la pluie – rangez à l'intérieur.**

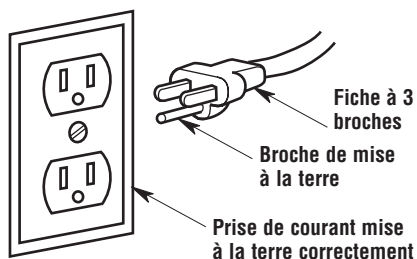
## CONSERVER CE MANUEL

## Instructions relatives à la mise à la terre

Cet appareil doit être mis à la terre. En cas de problème électrique, la mise à la terre fournit un chemin de moindre résistance pour le courant électrique afin de réduire le risque de choc électrique. Cet appareil est muni d'un cordon ayant un conducteur de mise à la terre de l'équipement et d'une fiche de mise à la terre. La fiche doit être insérée dans une prise appropriée qui est installée correctement et mise à la terre conformément à tous les codes et règlements municipaux.

### **AVERTISSEMENT :**

Un raccordement inadéquat du conducteur de mise à la terre de l'équipement risque de produire un risque de choc électrique. Consultez un électricien professionnel ou un réparateur compétent en la matière si vous avez le moindre doute quant à la mise à la terre de la prise de courant. Ne modifiez pas la fiche fournie avec cet appareil – si elle ne tient pas dans la prise de courant, demandez à un électricien professionnel d'installer une prise de courant avec mise à la terre conforme aux stipulations du code.

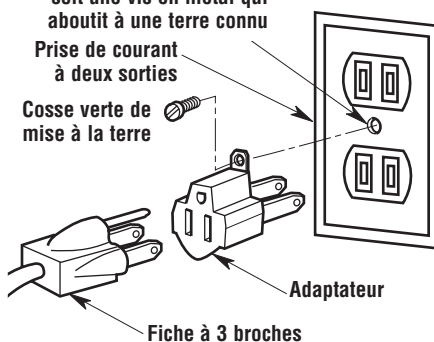


Cet appareil est conçu en vue d'un emploi sur un circuit de 120 volts de valeur nominale, et il a une fiche de mise à la terre qui ressemble à la fiche figurant sur l'illustration. Un adaptateur temporaire ressemblant à celui qui est illustré peut être utilisé pour raccorder cette fiche à une prise à deux broches, telle que celle qui est illustrée. S'il n'existe pas de prise de courant correctement mise à la terre, l'adaptateur temporaire peut être utilisé, mais seulement jusqu'à ce qu'une prise de courant correctement mise à la terre puisse être installée par un électricien professionnel.

Veillez à ce que cet élément soit une vis en métal qui aboutit à une terre connue

Prise de courant à deux sorties

Cosse verte de mise à la terre



La cosse, la saillie ou tout autre élément de couleur verte sortant de l'adaptateur doit être raccordé à une terre permanente telle qu'un cache de coffret de prise de courant correctement mise à la terre. Quand il est utilisé, l'adaptateur doit être maintenu en place par une vis en métal.

**REMARQUE :** Au Canada, le Code national d'électricité interdit l'utilisation d'un adaptateur temporaire.

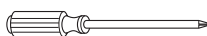
# Introduction

Cet aspirateur est classé dans la catégorie des aspirateurs à usage ménager. Cet aspirateur de liquides et de poussières est fourni avec un filtre triple pour poussières fines. Il peut être utilisé non seulement pour ramasser des matériaux tels que la

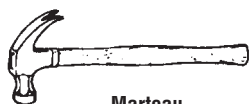
sciure et le gravier, mais aussi des matériaux extra-fins tels que de la poussière de cloisons sèches et des cendres de cheminée froides. Ces types de matériaux sont tellement petits qu'ils passeraient au travers de filtres traditionnels.

## Déballage et vérification du contenu du carton

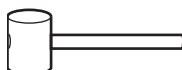
### Outils nécessaires



Tournevis à tête cruciforme



Marteau



Maillet

### Recommandé :



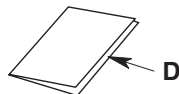
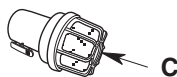
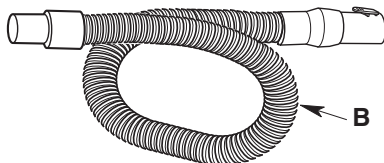
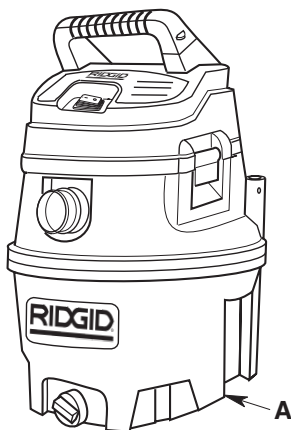
Douille de 5/8 po

Retirez tous les éléments se trouvant dans la boîte en carton. Inspectez chaque élément en le comparant à la liste incluse dans la boîte en carton. Téléphonez au 1-800-4-RIDGID (1-800-474-3443) depuis les États-Unis et le Canada, 01-800-701-9811 depuis le Mexique, ou envoyez-nous un courriel à [info@RIDGID.com](mailto:info@RIDGID.com) si de quelconques composants sont endommagés ou manquants.

Se référer au croquis d'assemblage pour le positionnement des pièces.

### Liste du contenu de la boîte en carton

Légende	Description	Qté
A	Ensemble d'aspirateur de liquides et de poussières.....	1
B	Tuyau flexible verrouillable professionnel .....	1
C	Silencieux/diffuseur .....	1
D	Mode d'emploi .....	1

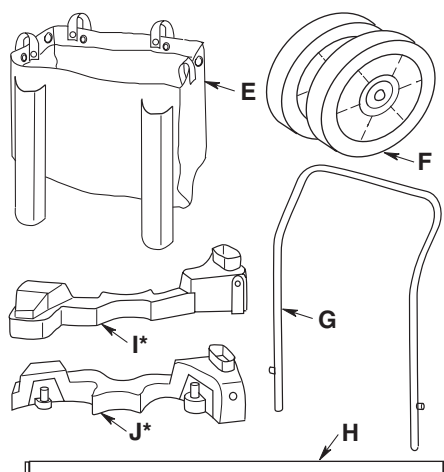


## Déballage et vérification du contenu du carton (suite)

### Liste du contenu de la boîte en carton

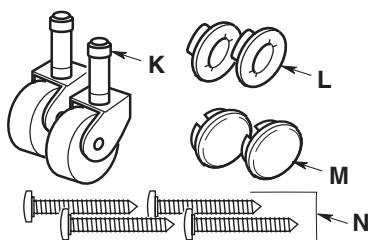
Légende	Description	Qté
Boîte en carton contenant les pièces suivantes :		
E	Porte-outil .....	1
F	Roue .....	2
G	Poignée en métal .....	1
H	Axe .....	1
I*	Chariot, côté droit .....	1
J*	Chariot, côté gauche .....	1

\* Ces éléments peuvent avoir été assemblés à l'usine. Si vous ne les trouvez pas dans le carton, inspectez l'ensemble d'aspirateur de liquides et de poussières pour voir s'ils ont été assemblés à l'usine.



### Liste du contenu de la boîte en carton

Légende	Description	Qté
Sachet de pièces détachées – Contenant les pièces suivantes :		
K	Roulette .....	2
L	Écrou borgne.....	2
M	Chapeau de roue .....	2
N	Vis de type AB N° 10 x 1-3/4 (44 mm).....	4

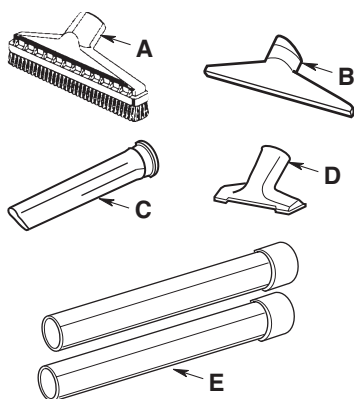


## Déballage et vérification du contenu du carton (suite)

### Accessoires de 2-1/2 po (64 mm) pour le numéro de référence RV2400A ou RV2400M

#### Liste du contenu de la boîte en carton

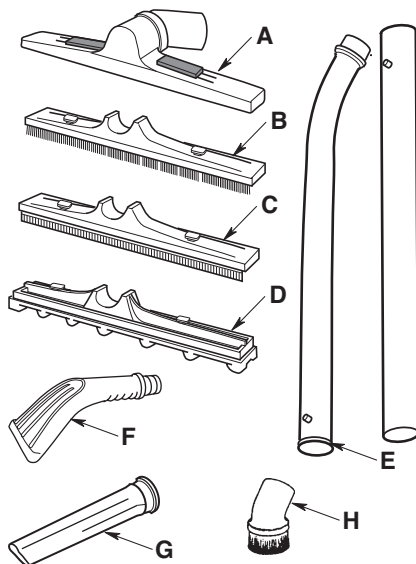
Légende	Description	Qté
A	Balai .....	1
B	Suceur humide .....	1
C	Suceur plat .....	1
D	Suceur à usages multiples .....	1
E	Baguettes de rallonge .....	2



### Accessoires de 1-7/8 po (46 mm) pour le numéro de référence RV2600B ou RV2600M

#### Liste du contenu de la boîte en carton

Légende	Description	Qté
A	Support à suceurs multiples .....	1
B	Balai accessoire .....	1
C	Racloir accessoire .....	1
D	Accessoire pour moquettes .....	1
E	Baguettes de rallonge .....	2
F	Suceur à griffes .....	1
G	Suceur plat .....	1
H	Brosse à épousseter .....	1



# Assemblage du tambour/chariot

Veillez contacter le service clientèle si de quelconques pièces sont endommagées ou manquantes.

Ne commencez pas le montage si vous ne disposez pas de toutes les pièces.

1. Retirez du tambour les supports de droite et de gauche du chariot.

**\*CONSEIL** – Utilisez une douille de 5/8 po pour tenir l'écrou borgne en position stable pendant que vous tapez avec le marteau.

2. Installez l'écrou borgne sur un côté de la tige de l'arbre. Tapotez doucement avec un marteau ou avec un maillet en caoutchouc jusqu'à ce qu'il soit bien en place. Faites glisser l'extrémité de l'arbre à travers la roue (le côté lisse de la roue étant orienté vers l'extérieur).

3. Placez l'ensemble de roue/arbre à travers la partie gauche du chariot et à travers la partie droit du chariot, comme illustré.

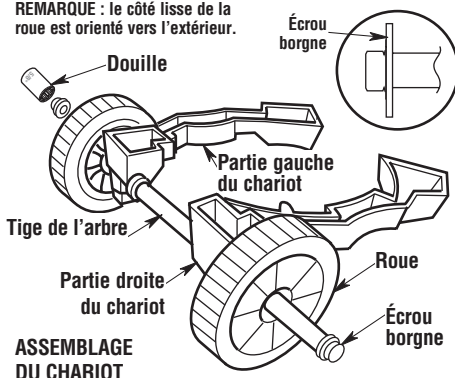
4. Placez ensuite la deuxième roue sur l'ensemble de chariot (le côté lisse de la roue étant orienté vers l'extérieur), et installez le deuxième écrou borgne.

5. Mettez le tambour sens dessus dessous pour installer le chariot. Placez l'ensemble de chariot sur le tambour, comme illustré. Assurez-vous que les roues tournent librement et n'entrent pas en contact avec de quelconques parties du chariot.

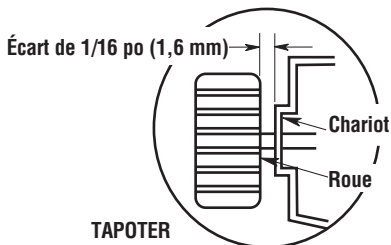
6. Une fois que les supports du chariot sont alignés sur le tambour, tapotez doucement sur chaque extrémité de chaque support jusqu'à ce que les supports soient solidement installés à leur place. Il est recommandé de taper sur la partie centrale des supports de l'avant du chariot, comme illustré.

7. En utilisant un marteau ou un maillet en caoutchouc, tapotez doucement sur les chapeaux de roue de chaque roue jusqu'à ce que ces chapeaux de roue soient bien en place sur chaque roue. Ceci est nécessaire à la fois du côté gauche et du côté droit du chariot.

**REMARQUE** : le côté lisse de la roue est orienté vers l'extérieur.

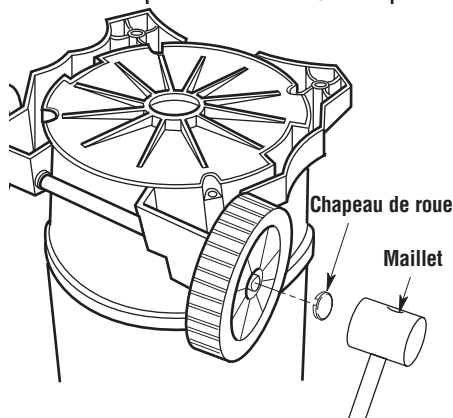
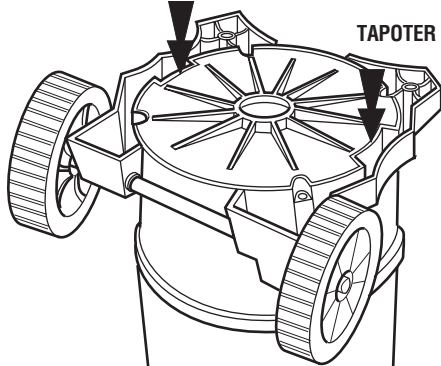


**ASSEMBLAGE DU CHARIOT**



**TAPOTER**

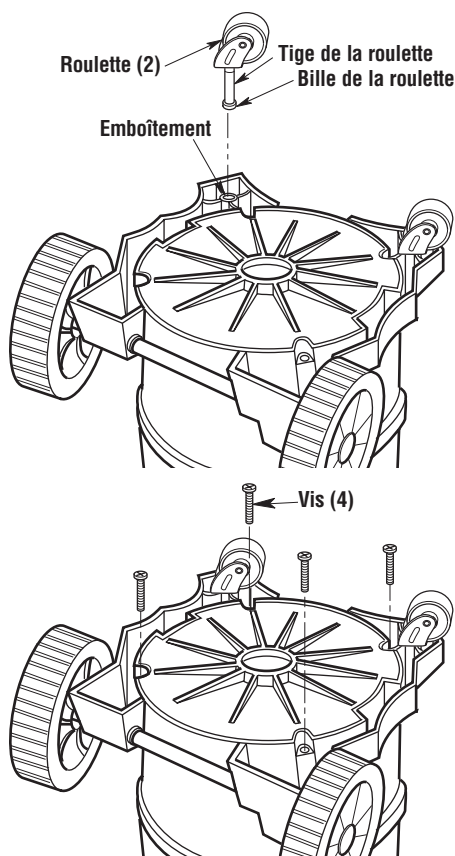
**TAPOTER**





## Assemblage du tambour/chariot (suite)

8. Insérez la tige de la roulette dans l'emboîtement du pied de la roulette tel que cela est illustré (roulette avant seulement).
9. Poussez sur la roulette jusqu'à ce que la bille située sur la tige de la roulette soit insérée à fond dans l'emboîtement. Vous pourrez entendre un bruit sec lorsque la bille s'encastrent dans l'emboîtement, et la roulette pivotera facilement une fois que le positionnement aura bien été effectué.
10. Installez 4 vis (fournies) dans les trous correspondants des côtés de droite et de gauche du chariot, en assujettissant les supports au fond du tambour. Serrez les vis, mais pas à fond. Si vous les serriez excessivement, ceci risquerait de déformer le chariot.



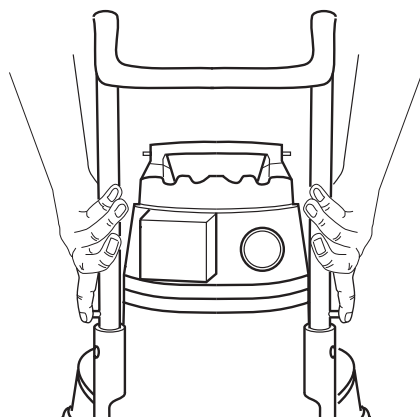
### Mise en place de la poignée

Appuyez sur les boutons de déclenchement, et maintenez-les enfoncés, pendant que vous placez la poignée dans les logements de la poignée situés sur le tambour (veuillez vous reporter à l'illustration).

**REMARQUE :** lorsque vous entendrez un bruit sec provenant des boutons de déclenchement, cela indiquera que la poignée a été correctement engagée.

### Retrait de la poignée

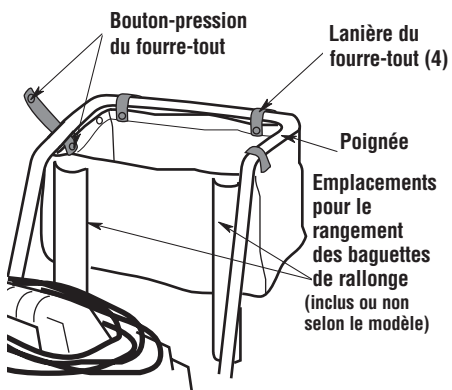
Appuyez sur les boutons de déclenchement, et maintenez-les enfoncés, tel que cela est illustré. Tout en appuyant fermement sur les boutons de déclenchement, tirez la poignée vers le haut afin de la retirer (veuillez vous reporter à l'illustration).



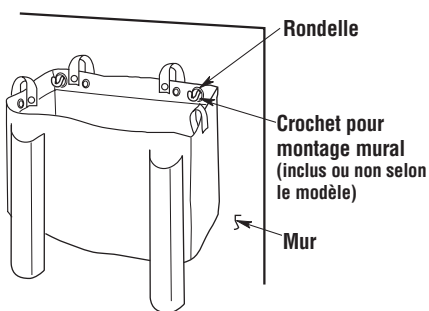
## Assemblage du tambour/chariot (suite)

### Mise en place du porte-outils

1. Positionnez le porte-outil sur la poignée en métal avec les porte-baguettes de rallonge (qui ne sont pas inclus dans tous les modèles) face à l'appareil. Installez le porte-outil en enroulant les quatre lanières du fourre-tout autour de la poignée en métal et faites pression sur chaque lanière pour la fixer en place, comme illustré.

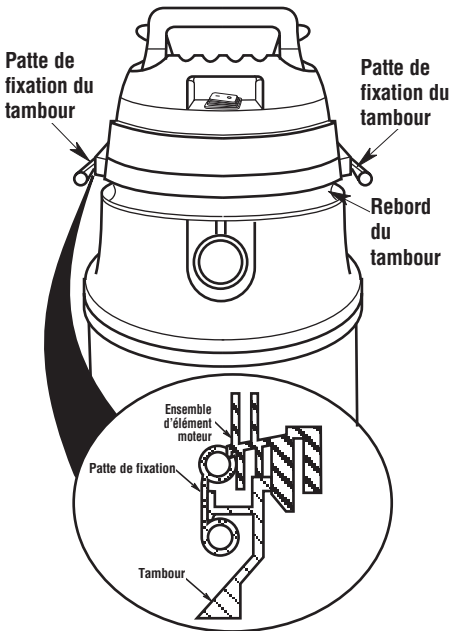


2. Le porte-outil peut être accroché à un mur si vous désirez l'utiliser pour ranger l'appareil. Deux crochets de montage mural (inclus ou non selon le modèle) doivent être assujettis au mur comme illustré (vendus séparément).



# Assemblage de l'aspirateur de liquides et de poussières

1. Positionnez l'ensemble d'élément moteur sur l'ensemble de tambour/chariot tel que cela est illustré (déjà assemblé au cours d'une étape précédente).
2. Faites pivoter les deux pattes de fixation vers le bas et appuyez jusqu'à ce qu'elles s'encliquettent sur les rebords du tambour (vous entendrez un bruit sec).



## Insertion du tuyau

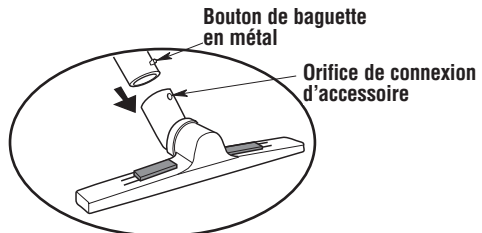
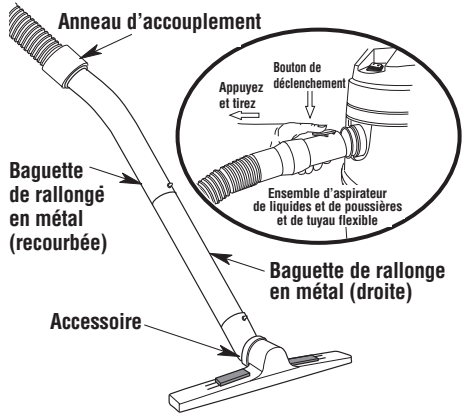
Insérez l'extrémité du bouton-poussoir du tuyau flexible verrouillable professionnel dans l'orifice d'admission de l'aspirateur. Le tuyau flexible verrouillable professionnel devrait se mettre en place avec un bruit sec.

Pour retirer le tuyau flexible verrouillable professionnel de l'aspirateur, appuyez sur le bouton de déclenchement de l'ensemble de tuyau flexible et tirez sur le tuyau jusqu'à ce qu'il sorte de l'orifice d'aspiration de l'aspirateur, comme illustré.

Enfoncez la baguette de rallonge recourbée en métal dans l'anneau d'accouplement de l'extrémité du tuyau flexible verrouillable professionnel.

Raccordez les deux baguettes de rallonge en métal l'une avec l'autre, en alignant le bouton et le trou de façon que le bouton entre complètement dans le trou.

Attachez les accessoires en alignant le bouton et le trou de façon que le bouton entre complètement dans le trou.



# Fonctionnement

## **⚠ AVERTISSEMENT :**

Pour réduire le risque d'incendie, d'explosion ou d'endommagement de l'aspirateur :

- Ne laissez pas en marche pendant que vous êtes absent – vous vous risqueriez de manquer des signes importants indiquant un fonctionnement anormal, comme une perte de puissance d'aspiration, la sortie de débris ou de liquides par la bouche de soufflage d'air ou des bruits anormaux en provenance du moteur. Cessez immédiatement d'utiliser l'aspirateur si vous constatez de tels signes.
- Ne laissez pas l'aspirateur branché lorsque vous ne l'utilisez pas.
- Ne continuez pas à utiliser l'aspirateur lorsque le flotteur a coupé l'aspiration.
- Les étincelles à l'intérieur du moteur risqueraient de mettre feu à des matières inflammables en suspension dans l'air. Ne pas utiliser l'aspirateur à proximité de liquides inflammables ou à des endroits où il y a des gaz ou des vapeurs inflammables, ou de la poussière explosive dans l'air. Les liquides, gaz et vapeurs inflammables comprennent : essence à briquet, produits de nettoyage du type solvant, peinture à base d'huile, essence, alcool et aérosols. Types de poussières explosives : charbon, magnésium, aluminium, céréales et poudre noire.
- N'aspirez pas de poussières explosives, de liquides inflammables ou de cendres chaudes.
- Ne laissez pas de sciure ou de chiffons avec des résidus de teinture ou de polyuréthane à l'intérieur de l'aspirateur. Videz le tambour après avoir ramassé ces matériaux potentiellement autochauffants.

## **⚠ AVERTISSEMENT :**

Pour réduire le risque de choc électrique ou de blessure :

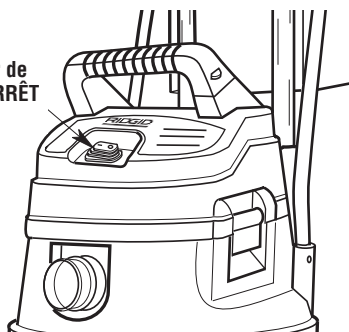
- N'exposez pas à la pluie, et ne laissez pas de liquides pénétrer dans le compartiment du moteur. Rangez à l'intérieur.
- Ne touchez pas la fiche de branchement, l'interrupteur ou l'aspirateur si vous avez les mains mouillées.
- Débrancher l'aspirateur avant d'effectuer une quelconque opération de maintenance. Si votre aspirateur ne fonctionne pas comme il devrait, s'il manque des pièces, s'il est tombé par terre ou a été endommagé, s'il a été laissé à l'extérieur ou s'il est tombé dans de l'eau, rappelez-le à un centre de service après-vente agréé ou téléphonez au service à la clientèle.
- Lorsque vous utilisez un cordon de rallonge, n'utilisez qu'un cordon prévu pour emploi à l'extérieur et en bon état. Ne laissez pas la connexion entrer en contact avec des liquides.

**⚠ MISE EN GARDE :** Pour réduire le risque de dommages auditifs, portez des protège-oreilles lorsque vous utilisez l'aspirateur/souffleur pendant une période prolongée ou dans une zone bruyante.

Mettez l'appareil sous tension en appuyant sur l'interrupteur pour le faire passer de la position « O » à la position « I ». Les deux symboles internationaux qui figurent sur l'interrupteur indiquent, respectivement, la position de marche et la position d'arrêt de votre aspirateur.

○ = ARRÊT | I = MARCHÉ

Interrupteur de  
MARCHÉ/ARRÊT



## Fonctionnement (suite)

Il faut bien se familiariser avec les accessoires qui ont été inclus avec cet aspirateur. Chaque accessoire peut être utilisé de façons multiples pour l'aspiration ou le soufflage de débris. Voici une liste des accessoires et des divers moyens de les utiliser :

**Support à suceurs multiples** – Contient des accessoires pour applications de nettoyage spécialisées sur le sol : balai, racloir et accessoire pour moquettes. Pour changer d'accessoire, faites glisser les languettes rouges dans la position ouverte (« open ») et tirez sur l'accessoire pour le dégager du centre. Installez le nouvel accessoire au ras du support de suceur et faites glisser les languettes dans la position verrouillée (« lock »).

**Balai accessoire** – Utilisé pour le nettoyage de grandes surfaces lisses.

**Racloir accessoire** – Utilisé pour le ramassage de liquides sur des surfaces lisses, afin de permettre le ramassage de liquides et sécher le sol en même temps.

**Accessoire pour moquettes** – Suceur pour le ramassage de liquides et de débris secs pour le nettoyage de la plupart des moquettes et des tissus d'ameublement.

**Suceur à griffes** – Utilisez-le pour ramasser des débris dans des endroits difficiles à atteindre.

**Brosse d'époussetage** – Utilisée pour un nettoyage de finition dans des espaces restreints.

**Suceur plat** – Utilisé pour aspirer des débris dans des endroits difficiles à atteindre.

**Silencieux/diffuseur** – Utilisez-le pour disperser le flux d'air d'échappement tout en réduisant le bruit. Insérez-le dans l'orifice de soufflerie.

**Baguettes de rallonge** – Ces baguettes peuvent être connectées ensemble et fournir une longueur supplémentaire pour atteindre des endroits plus éloignés.

**Tuyau** – Permet de transférer la capacité d'aspirer ou de souffler sur le site de travail. Fournit le moyen de connecter des baguettes de rallonge et des suceurs.

**Suceur tout usage** – Suceur à usage universel pour la plupart des applications d'aspiration.

**Suceur humide** – Utilisé pour le ramassage de liquides sur des surfaces lisses, pour ramasser des liquides et sécher le sol en même temps.

**Balai** – Utilisé pour les nettoyages de grandes surfaces lisses.

## Aspiration de matériaux secs

1. Le filtre doit toujours être dans la position correcte afin de réduire le risque de fuites et d'endommagement de l'aspirateur.
2. Votre aspirateur de liquides et de poussières est fourni avec un filtre VF5000 installé. Lors de l'utilisation de l'aspirateur pour ramasser des poussières très fines, il sera nécessaire de vider le tambour et de nettoyer le filtre à intervalles plus fréquents afin de continuer à bénéficier de la performance maximale de l'aspirateur.

**REMARQUE** : un filtre sec est nécessaire pour ramasser des matériaux secs. Si l'aspirateur est employé pour ramasser de la poussière alors que le filtre est humide, le filtre se bouchera très vite et il sera ensuite très difficile à nettoyer.

## Aspiration de liquides

### IMPORTANT :

1. Lorsque vous aspirez de faibles volumes de liquides (de 2 à 4 po (5-10 cm) de liquide au fond du tambour), il n'est pas nécessaire de retirer le filtre.
2. Lorsque vous aspirez de grands volumes de liquides (plus de 4 po (10 cm) de liquide au fond du tambour), il est recommandé de retirer le filtre. Si le filtre n'est pas retiré, il se saturera et de la buée apparaîtra dans l'échappement.
3. Après que l'aspirateur aura été utilisé pour aspirer des liquides, il faudra sécher le filtre pour réduire le risque de la formation possible de moisissures et pour ne pas endommager le filtre.

## AVERTISSEMENT :

**Ne faites pas fonctionner sans la cage du filtre et le flotteur étant donné qu'ils empêchent l'entrée de liquide dans la roue et protègent ainsi le moteur contre les dommages pouvant en résulter.**

## Fonctionnement (suite)

4. Lorsque le liquide aspiré atteint un niveau prédéterminé dans le tambour, le flotteur s'éleva automatiquement afin de couper la circulation de l'air. Lorsque ceci se produit, fermer l'aspirateur, débrancher le cordon électrique et vider le tambour. L'élévation du niveau du flotteur se remarque parce qu'elle correspond à l'arrêt de la circulation de l'air à l'intérieur de l'aspirateur et parce que le bruit du moteur devient alors plus aigu en raison de l'accélération de sa vitesse.

**IMPORTANT** : pour réduire le risque d'endommager l'aspirateur, il ne faut pas faire fonctionner le moteur pendant que le flotteur est en position élevée.

### Vidage du tambour

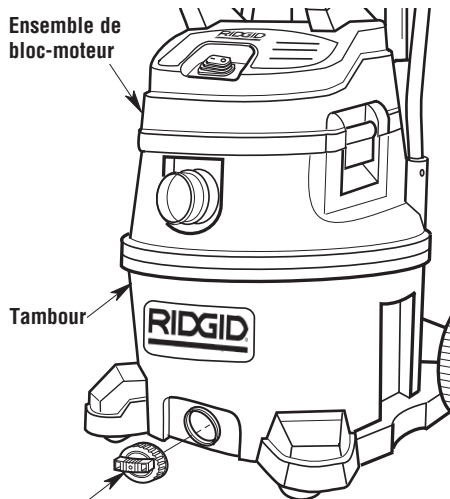
#### **AVERTISSEMENT :**

Pour réduire le risque de blessure en raison d'une mise en marche accidentelle, débrancher le cordon électrique avant de vider le tambour.

#### **AVERTISSEMENT :**

Pour réduire le risque de chute ou de blessure au dos il ne faut pas soulever un aspirateur plein de liquide ou de débris. Ramasser ou drainer suffisamment du contenu hors de l'aspirateur afin de rendre l'aspirateur assez léger pour le soulever confortablement.

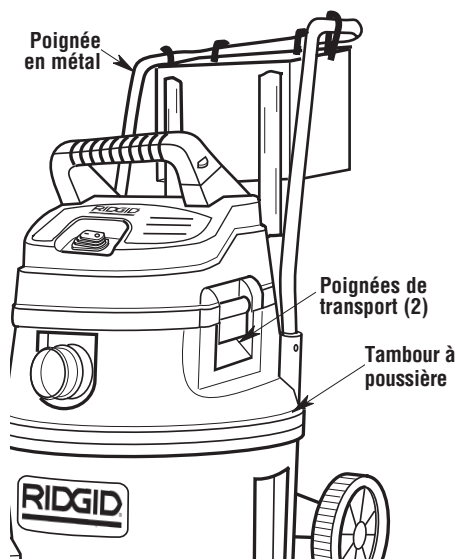
1. Cet aspirateur est équipé d'un drain permettant d'évacuer facilement les liquides. Il suffit de dévisser le capuchon du drain et de soulever le côté opposé de l'aspirateur pour l'incliner légèrement afin de vider le tambour.
2. Une autre option possible consiste à retirer l'ensemble d'élément moteur.
3. Posez l'ensemble d'élément moteur sur le côté sur une surface propre tout en vidant le tambour.
4. Jetez le contenu du tambour dans une poubelle appropriée.



### Transport de l'aspirateur de liquides et de poussières

S'il s'avère nécessaire de soulever l'aspirateur pour le déplacer, vous pouvez utiliser les poignées de transport de chaque côté du tambour à poussière.

Pour manœuvrer l'aspirateur, utilisez la poignée en métal située à l'arrière de l'aspirateur.

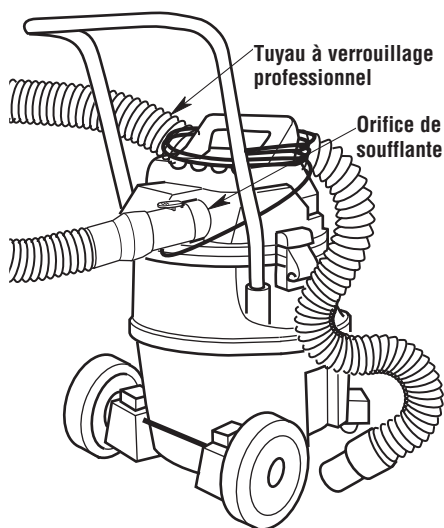


## Fonctionnement (suite)

### Fonction de soufflante

Votre aspirateur est muni d'un orifice de soufflante qui permet de chasser de la sciure ou d'autres débris. Veuillez réaliser les étapes suivantes pour utiliser votre aspirateur comme une soufflante.

1. Localisez l'orifice de soufflante sur votre aspirateur.
2. Insérez l'extrémité verrouillable du tuyau flexible verrouillable professionnel dans l'orifice de soufflerie de l'aspirateur. Le tuyau flexible verrouillable professionnel devrait se mettre en place avec un bruit sec. Pour retirer le tuyau flexible verrouillable professionnel de l'aspirateur, appuyez sur le bouton de déclenchement de l'ensemble de tuyau flexible et tirez sur le tuyau jusqu'à ce qu'il sorte de l'orifice de soufflerie de l'aspirateur.
3. (Facultatif) Attachez la bague de rallonge à l'extrémité opposée du tuyau flexible verrouillable professionnel.
4. Après avoir mis l'aspirateur sous tension, vous serez prêt à l'utiliser comme une soufflante.



### **⚠ AVERTISSEMENT :**

Il faut toujours porter des lunettes de protection conformes à la norme ANSI Z87.1 (ou, au Canada, CSA Z94.3) avant de se servir de l'aspirateur comme une soufflerie.

### **⚠ AVERTISSEMENT :**

Pour ne pas risquer de causer des blessures à d'autres personnes, il est recommandé de leur demander de rester à distance suffisante des débris soufflés.

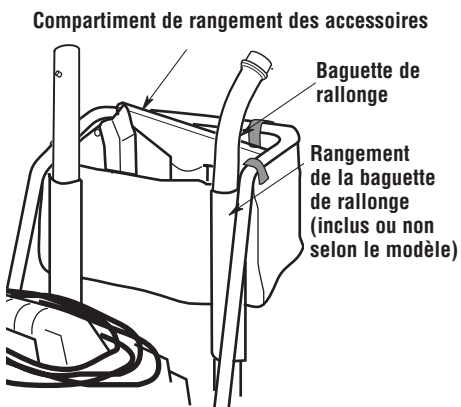
**▲ MISE EN GARDE :** Portez un masque anti-poussière si votre soufflage crée de la poussière qui pourrait être aspirée.

**▲ MISE EN GARDE :** Pour réduire le risque d'endommagement de l'ouïe, portez des protecteurs d'oreilles quand vous utilisez l'aspirateur/la souffleuse pendant de longues périodes ou quand vous l'utilisez dans un environnement bruyant.

## Rangement des accessoires

Vos accessoires peuvent être rangés dans le porte-outil ou dans les deux aires de rangement sur la droite et sur la gauche du chariot.

**REMARQUE :** Insérez l'extrémité mâle de la baguette de rallonge dans le manchon de support (inclus ou non selon le modèle) tel que cela est illustré.



## Rangement du tuyau flexible

Vous pouvez ranger le tuyau à verrouillage professionnel en l'enroulant autour de l'appareil et en plaçant son extrémité libre dans l'un des deux emplacements réservés au rangement sur l'ensemble de chariot.

**▲ MISE EN GARDE :** N'utilisez pas l'aspirateur pendant que le tuyau flexible est toujours enroulé autour de l'ensemble de bloc-moteur dans la position de rangement.

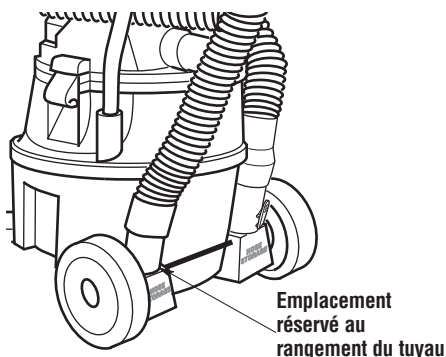
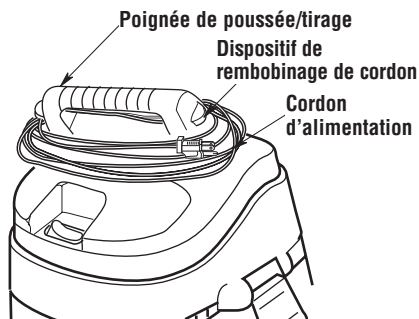
## ▲ AVERTISSEMENT :

Ne mettez aucun objet dans les orifices de ventilation. N'aspirez pas quand de quelconques orifices de ventilation sont obstrués; assurez-vous que ces orifices ne sont pas bloqués par de la poussière, de la peluche, des cheveux ou de quelconques objets pouvant réduire la circulation de l'air.

## Enroulement du cordon

Après avoir fini d'utiliser l'aspirateur, débranchez le cordon et enroulez-le autour de l'ensemble de bloc-moteur. Sécurisez le cordon en utilisant la pince du cordon sur la fiche.

Le cordon d'alimentation doit être enroulé au-dessous de la poignée de pression-traction (au-dessus de l'orifice) et autour et en dessous de l'aire de rangement du cordon du cache du moteur.





# Entretien

## Filtre

### **⚠ AVERTISSEMENT :**

**Pour réduire le risque de blessure en raison d'une mise en marche accidentelle, débrancher le cordon électrique avant de remplacer le filtre ou de le nettoyer.**

Les aspirateurs de liquides et de poussières sont fournis avec le filtre triple Qwik Lock™ de RIDGID. Des filtres triples Qwik Lock™ de rechange sont disponibles à l'endroit où vous avez acheté votre aspirateur. Demandez le filtre triple Qwik Lock™ de RIDGID VF5000.

**REMARQUE :** Le filtre est fait de papier de qualité élevée conçu pour intercepter les très petites particules de poussière. Le filtre peut être utilisé pour le ramassage de liquides ou de débris secs. Manipuler le filtre avec précaution lors de son nettoyage ou de son installation. Les plis du filtre peuvent être froissés pendant l'installation, mais cela n'aura aucune influence sur la performance du filtre.

## Retrait et installation du filtre Qwik Lock™

### Retrait du filtre :

1. Saisissez les deux languettes du filtre Qwik Lock™, une dans chaque main.
2. Placez un pouce sur le goujon Qwik Lock™, qui dépasse de la plaque de filtre intégrée, tirez sur les languettes du filtre et appuyez en même temps sur le goujon.
3. Cette action aura pour effet que le filtre sera relâché de la cage du filtre. Faites glisser le filtre pour le sortir de la cage.

**IMPORTANT :** Pour éviter d'endommager le moteur et la roue de la soufflerie, toujours réinstaller le filtre avant d'utiliser l'aspirateur pour ramasser des matériaux secs.

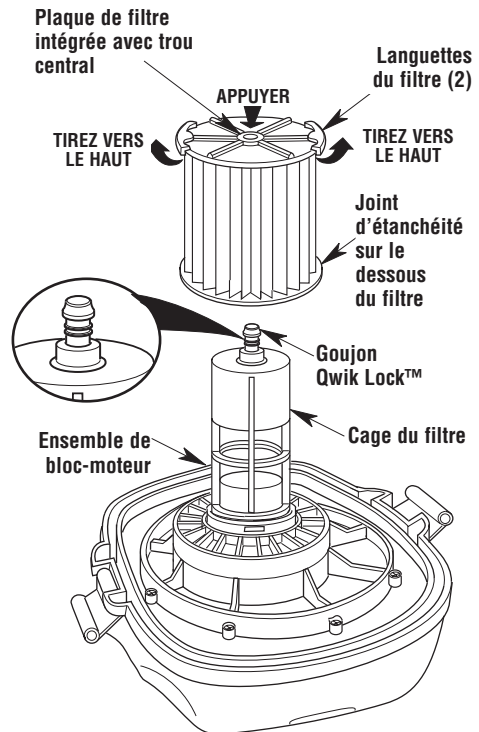
### Installation du filtre :

1. Faites glisser délicatement le filtre Qwik Lock™ par-dessus la cage du filtre et appuyez sur le bord extérieur du filtre jusqu'à ce que le joint d'étanchéité en caoutchouc sur le dessous du filtre soit solidement installé autour de la base de la cage du filtre et contre l'ensemble de bloc-moteur.
2. Alignez le petit trou central sur le dessus du filtre au-dessus du goujon Qwik Lock™ sur la cage du filtre. Appuyez fermement sur le dessus du filtre, à proximité du goujon, pour permettre au filtre de s'emboîter sur l'embout sphérique du goujon. Le filtre est maintenant installé.

**REMARQUE :** Si vous n'installez pas correctement le joint d'étanchéité du dessous, il est possible que des débris passent à côté du filtre.

### **⚠ AVERTISSEMENT :**

**Ne faites pas fonctionner sans la cage du filtre et le flotteur étant donné qu'ils empêchent l'entrée de liquide dans la roue et protègent ainsi le moteur contre les dommages pouvant en résulter.**



## Entretien (suite)

### Nettoyage du filtre

Il faut nettoyer souvent le filtre pour ne pas affecter la performance optimale de l'aspirateur.

### Nettoyage d'un filtre sec

1. Il est possible de retirer certains débris secs sans qu'il soit nécessaire de faire sortir le filtre de l'aspirateur. Tapez avec la main sur le dessus de l'ensemble de bloc-moteur pendant que l'aspirateur est hors tension.
2. Pour obtenir les meilleurs résultats lors du nettoyage d'un filtre sur lequel des poussières se sont accumulées, nettoyer le filtre dans un endroit ouvert. Le nettoyage DOIT être effectué à l'extérieur. Il ne doit pas être fait à l'intérieur d'une résidence.
3. Après avoir retiré le filtre de l'aspirateur, retirer les débris secs en secouant doucement le filtre contre la paroi intérieure de votre tambour à poussière. Les débris se détacheront et tomberont.
4. Pour effectuer un nettoyage complet du filtre sec lorsqu'il est couvert de particules très fines (pas de débris), faire couler de l'eau à travers le filtre tel qu'indiqué sous la rubrique « Nettoyage d'un filtre humide ».

### Nettoyage d'un filtre humide

Une fois le filtre retiré, faites couler de l'eau au travers du filtre à l'aide d'un tuyau d'arrosage ou d'un robinet. Veillez à ce que la pression de l'eau sortant du tuyau d'arrosage ne soit pas si forte qu'elle pourrait endommager le filtre.

**IMPORTANT :** Inspecter le filtre après le nettoyage pour s'assurer qu'il n'est pas déchiré ou troué. Ne pas utiliser un filtre déchiré ou troué. Même un petit trou peut permettre à beaucoup de poussière de sortir de l'aspirateur. Remplacez votre filtre immédiatement s'il est endommagé ou usé.

Sécher toujours le filtre avant de le ranger ou de ramasser des débris secs.

### Nettoyage et désinfection de l'aspirateur de liquides et de poussières

Pour conserver l'esthétique optimale de votre aspirateur de poussières et de liquides, nettoyez la surface extérieure de l'aspirateur à l'aide d'un chiffon imbibé d'eau tiède savonneuse.

Procédure de nettoyage du tambour :

1. Vider les débris.
2. Nettoyez soigneusement le tambour à poussière à l'aide d'un savon doux et d'eau tiède.
3. Essuyer avec un chiffon sec.

Avant de ranger l'aspirateur pour une période prolongée, ou dans les cas nécessaires (par exemple après l'aspiration d'eaux usées), vous devez désinfecter le tambour.

Pour désinfecter le tambour :

1. Versez un gallon (presque 4 Litres) d'eau et une cuillerée à thé (5 mL) de produit à blanchir à l'eau de javel dans le tambour.
2. Laissez la solution agir pendant 20 minutes, en remuant doucement de temps à autre pour vous assurer que toutes les surfaces du tambour restent humides.
3. Videz le tambour au bout de 20 minutes. Rincez à l'eau jusqu'à ce que l'odeur d'eau de javel ait disparu. Laissez sécher le tambour complètement avant de sceller le moteur sur le tambour.

## Entretien (suite)

### Entretien du cordon d'alimentation

Une fois votre travail d'aspiration terminé, débranchez le cordon d'alimentation et enroulez-le autour du couvercle du moteur. Si le cordon est endommagé, il doit être remplacé par le fabricant ou son représentant, ou par une autre personne ayant les compétences techniques nécessaires, afin de réduire le risque d'accident.

### Rangement

Avant de ranger votre aspirateur, vous devez vider et nettoyer le tambour à poussières. Vous devez également enrouler le cordon d'alimentation autour de l'appareil et ranger le tuyau tel que cela décrit dans le présent mode d'emploi. Vous devez garder les accessoires au même endroit que l'aspirateur de façon à pouvoir y accéder facilement. Vous devez ranger l'aspirateur à l'intérieur d'un bâtiment.

### Roulettes et roues

Si le chariot commence à grincer ou s'il devient difficile de le faire rouler, appliquer deux ou trois gouttes d'huile universelle sur chaque roue au niveau de l'essieu. Si les roulettes font du bruit, appliquer une goutte d'huile sur l'arbre pour les rendre silencieuses.

### Cadre et poignées

La poignée en métal est peinte pour la protéger contre la rouille. Toutefois, il faut en retirer les liquides et les débris corrosifs en contact avec la poignée avec un chiffon non abrasif.

### **AVERTISSEMENT:**

Pour assurer la **SÉCURITÉ** et la **FIABILITÉ** du produit, les réparations et réglages doivent être effectués par des centres agréés de service après-vente en utilisant toujours des pièces de rechange RIDGID.

## Grande capacité – aspirateur ménager de liquides et de poussières à deux étages Numéros de modèles RV24000, RV26000 RV2400M0 et RV2600M0

Caractéristiques électriques nominales :

120 V~ 11,5 A 60 Hz

Les pièces RIDGID sont disponibles sur notre site Web  
à l'adresse suivante : [store.ridgid.com/provacs](http://store.ridgid.com/provacs)

Pour commander, utiliser toujours le numéro de pièce – pas le numéro de légende

### **AVERTISSEMENT:**

Pour réduire le risque de blessures causées par les chocs électriques, débranchez le cordon d'alimentation avant de réparer les éléments électriques de l'aspirateur de liquides et de poussières.

### **AVERTISSEMENT:**

Toutes les opérations de démontage et de réparation doivent être effectuées par des techniciens compétents.



## Symbole de qualité, de durabilité et de fiabilité

**Cette garantie ne s'applique qu'aux États-Unis et au Canada.**

**Veillez consulter l'encart joint pour toutes informations sur la garantie applicable au Mexique.**

- **Ce qui est couvert par la garantie**

Les aspirateurs de liquides et de poussières RIDGID® sont garantis sans défauts de matériau ou de façon.

- **Durée de la garantie**

Cette garantie est valable pendant toute la durée de vie de l'aspirateur de liquides et de poussières RIDGID®.

- **Le service après-vente**

Pour tirer parti de cette garantie, le produit complet doit être renvoyé en port payé à RIDGE TOOL COMPANY, Elyria, Ohio ou bien à un quelconque CENTRE DE SERVICE APRÈS-VENTE RIDGID® AGRÉÉ. Les clés à tube et autres outils à main devront être renvoyés au point de vente où ils ont été achetés.

- **Les mesures de rectification des problèmes**

Les aspirateurs de liquides et de poussières sous garantie seront réparés ou remplacés, au choix de Ridge Tool Company, et ils vous seront renvoyés gratuitement; ou, si au bout de trois tentatives de réparation ou de remplacement pendant la période de garantie, l'aspirateur de liquides et de poussières est toujours défectueux, vous pourrez demander à obtenir un remboursement intégral de votre prix d'achat.

- **Ce qui n'est pas couvert par la garantie**

Les défaillances causées par une utilisation abusive ou non conforme aux instructions, ou par l'usure ordinaire, ne sont pas couvertes par cette garantie. **RIDGE TOOL COMPANY N'EST RESPONSABLE D'AUCUN DOMMAGE SECONDAIRE OU INDIRECT.**

- **Effet des lois locales sur cette garantie**

Au Canada, certaines provinces ne permettent peut-être pas l'exclusion ou la limitation des dommages secondaires ou indirects; par conséquent, il est possible que l'exclusion ou la limitation susmentionnée ne s'applique pas à vous. Cette garantie vous confère des droits contractuels spécifiques, et vous disposez peut-être d'autres droits qui peuvent varier d'une province à l'autre.

- **Aucune autre garantie expresse ne s'applique**

La présente GARANTIE À VIE COMPLÈTE est la garantie unique et exclusive concernant les produits RIDGID®. Aucun salarié, agent, distributeur ou autre n'est autorisé à modifier cette garantie ou à offrir une quelconque autre garantie de la part de Ridge Tool Company.

**N° de stock RV2400A ou RV2600B, RV2600M & RV2600M, RV2400MO & RV2600MO**

**Numéro de modèle RV24000 ou RV26000**

**Numéro de série \_\_\_\_\_**

Le numéro de modèle et le numéro de série sont indiqués près de l'orifice de soufflerie.

Il est recommandé d'inscrire ces deux numéros en lieu sûr pour référence future.

**EN CAS DE QUESTIONS OU POUR OBTENIR DES INFORMATIONS, VEUILLEZ NOUS CONTACTER AU :**  
**ridgid.com/warranty**

**1-800-4-RIDGID (1-800-474-3443) depuis les États-Unis et le Canada**

**01-800-701-9811 depuis le Mexique**

**Prière d'avoir votre numéro de modèle ainsi que votre numéro de série à portée de la main avant de nous appeler.**



**EMERSON**

**www.RIDGID.com**

© 2018 Emerson

Pièce N° SP6729

Formulaire N° SP6729-5

Imprimé au Mexique 11/18