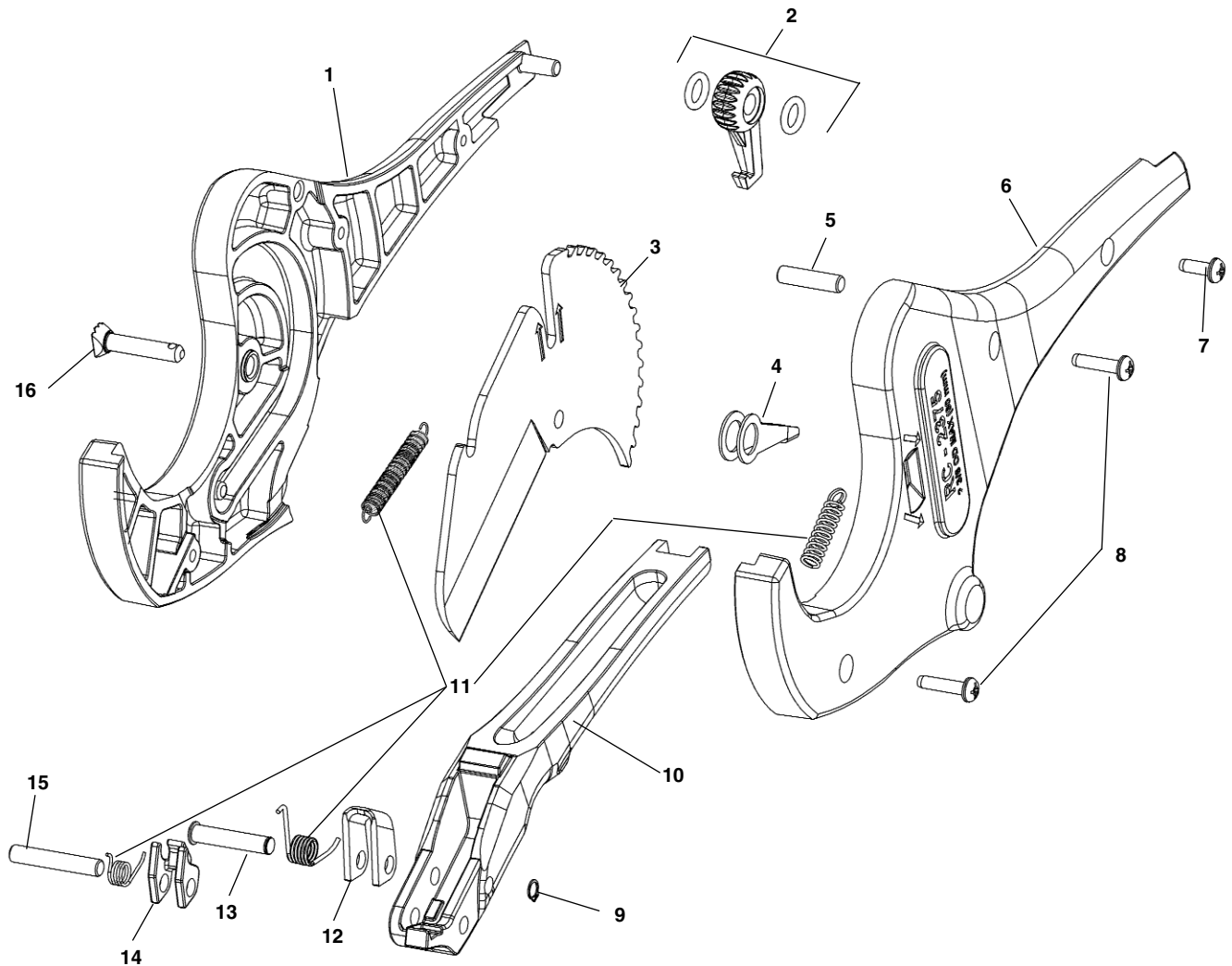


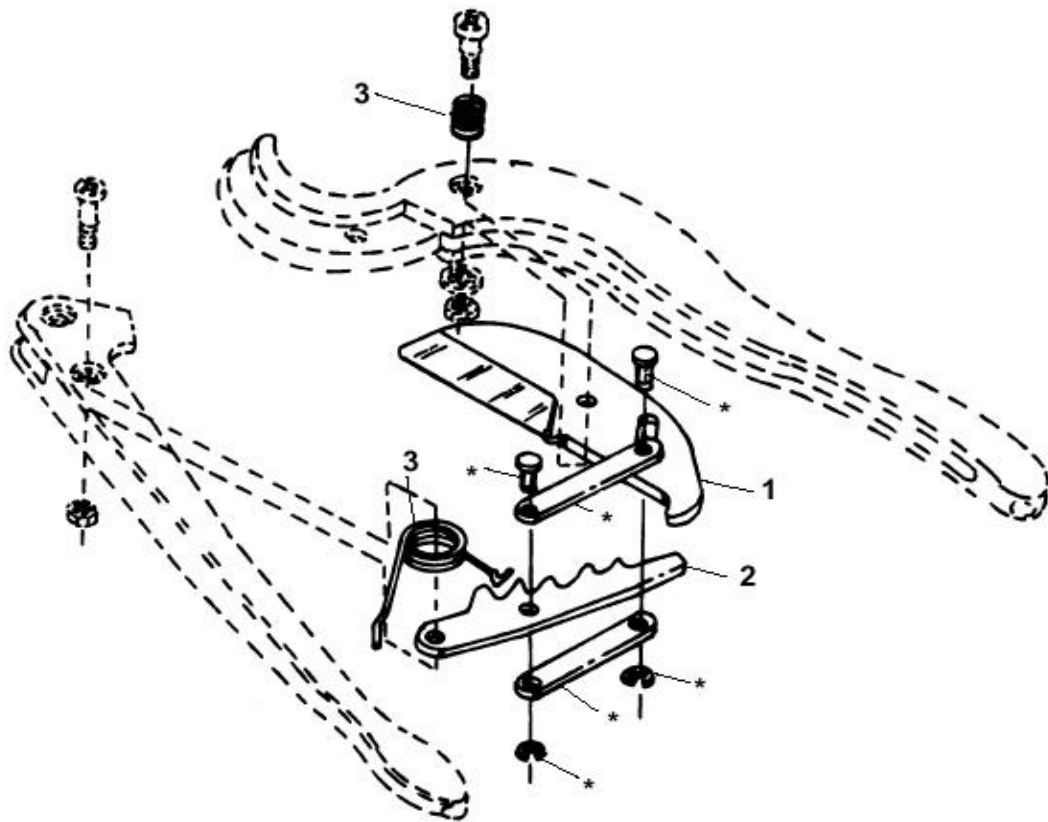
**NOTE: Order parts by Catalog Number only.
DO NOT order by Reference Number.**

Ref. No.	Catalog No.	Description
1	30958	R.H. Upper Handle
2	25543	Latch Assembly
3	27858	Blade
4	30963	Blade Return Sleeve
5	30968	Blade Stop Pin
6	30973	L.H. Upper Handle
7	25548	Screw M3.5 -.6 x 10mm
8	25568	Screw M3.5 -.6 x 15mm (2)
9	25553	Retaining Ring
10	30978	Lower Handle
11	30983	Spring Kit
12	30988	Drive Pawl
13	25578	Blade Drive Pin
14	30993	Pawl Catch
15	30998	Handle Pin
16	31003	Blade Pin



**NOTE: Order parts by Catalog Number only.
DO NOT order by Reference Number.**

Ref. No.	Catalog No.	Description
1	32023	R.H. Upper Handle
2	25543	Latch Assembly
3	30093	Blade
4	32028	Blade Return Sleeve
5	32018	Blade Stop Pin
6	32033	L.H. Upper Handle
7	25548	Screw M3.5 -.6 x 10mm
8	25568	Screw M3.5 -.6 x 15mm (2)
9	25553	Retaining Ring
10	30978	Lower Handle
11	30983	Spring Kit
12	30988	Drive Pawl
13	25578	Blade Drive Pin
14	30993	Pawl Catch
15	30998	Handle Pin
16	31003	Blade Pin



Ref		1491	1492	1493
1	Blade	22066	22076	22086
2	Ratchet and Link assy	66916	66926	47527
3	Spring set	66896	66906	47522