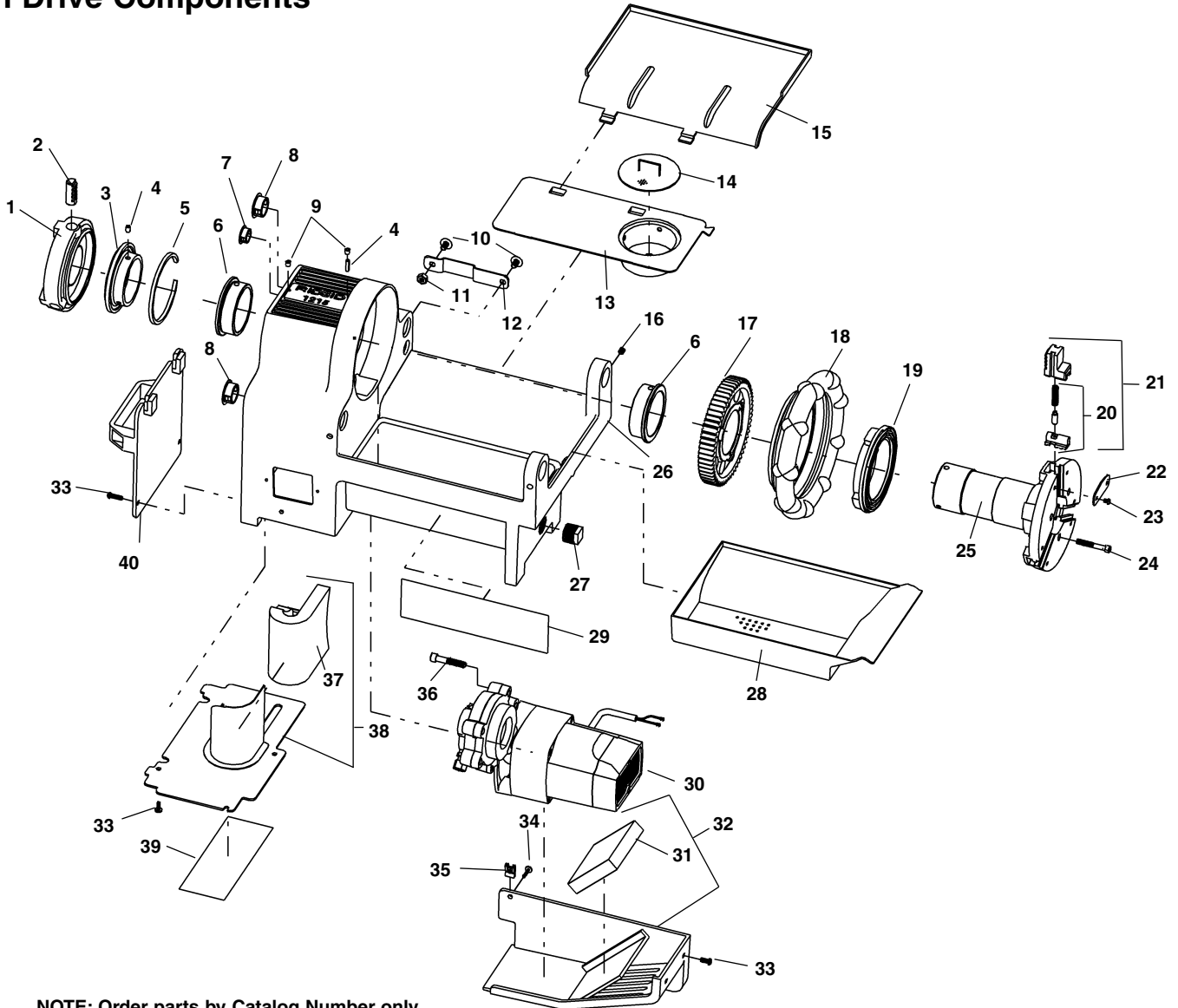


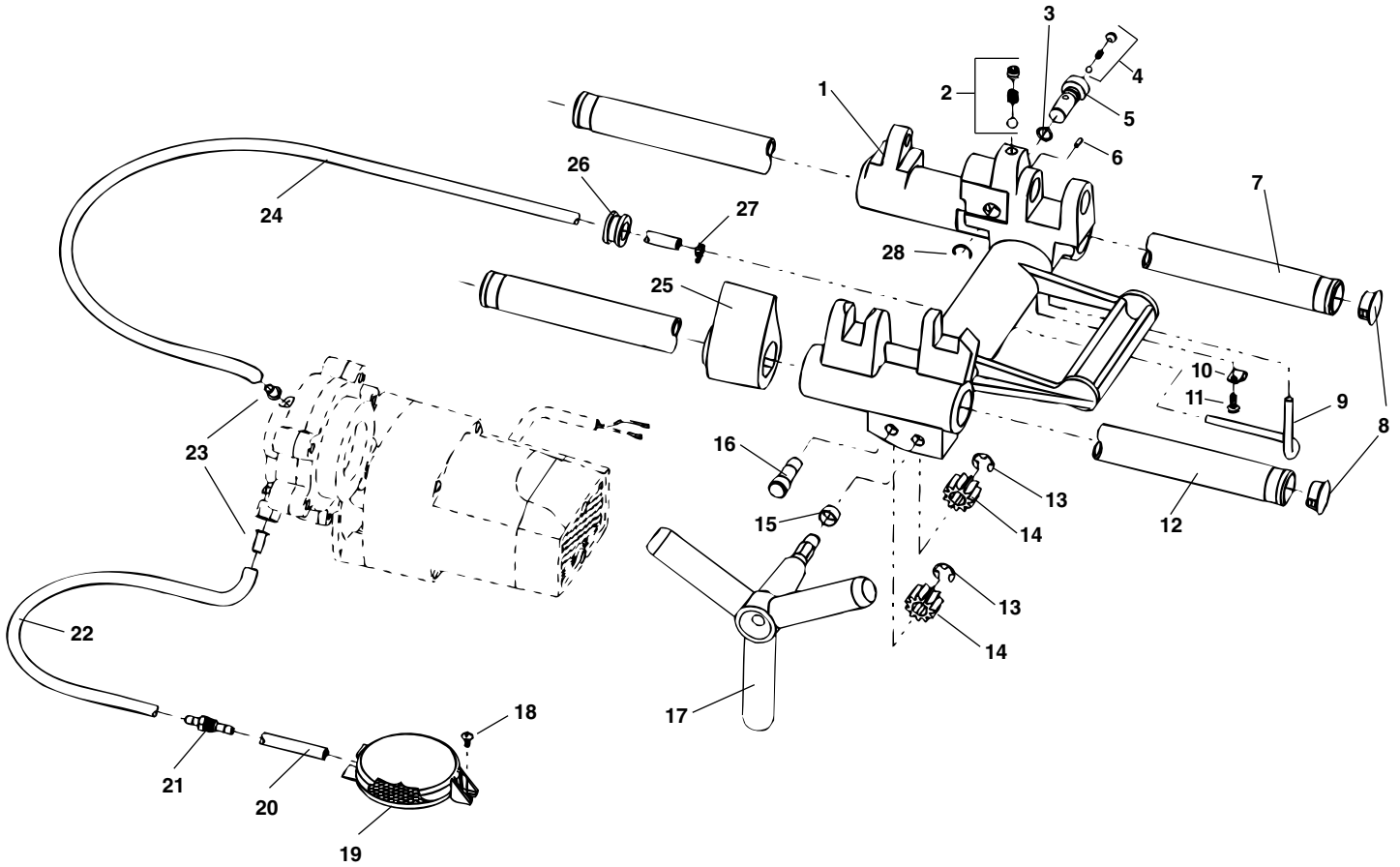
Main Drive Components



**NOTE: Order parts by Catalog Number only.
DO NOT order by Reference Number.**

Ref. No.	Catalog No.	Description	Ref. No.	Catalog No.	Description
1	58232	Centering Head	21	58312	Chuck Jaw Set
2	58237	Centering Jaw Set	22	58317	Chip Guard
3	58242	Centering Scroll	23	58322	Screw #6-32 Button HD C.S. (6)
4	54007	Roll Pin (4)	24	46775	Screw 1/4" - 20 S.H.C.S. (6)
5	58247	Internal Spiral Ring	25	58327	Chuck Cap and Spindle Assembly
6	58252	Spindle Bearing (2)	26	58332	Base Assembly (includes Ref. #6, 9 & 10)
7	58257	Plug 13/16"	27	54302	Pipe Plug
8	58262	Plug 13/16" (2)	28	58337	Chip Tray
9	54022	Ball Valve Oiler (2)	29	58342	Warning Plate
10	54137	Screw 5/16" - 18	30	58352	4194 Motor Assembly - 115V
11	96730	Hex Nut 5/16" - 18	31	58362	Motor Cover Foam
12	62767	Foot Switch Bracket	32	58367	Motor Cover
13	58272	Oil Pan Liner	33	79965	Pan Head Screw #10 - 32 x 1/2" (6)
14	58277	Baffle Screen Assembly	34	43367	Self Tapping Screw
15	58282	Drip Tray	35	43362	J-Clip
16	45420	Set Screw 5/16" - 18 x 1/4" (3)	36	46035	Screw 5/16" x 1 3/4" S.H.C.S. (4)
17	58287	Drive Gear	37	58372	Foam Baffle
18	58292	Hand Wheel	38	58377	Bottom Cover
19	58297	Chuck Scroll	39	58382	Wiring Diagram
20	58307	Jaw Insert Set		58387	Wiring Diagram (Europe)
	58302	Jaw Insert Set (Optional for Stainless Steel and Plastic Coated Pipe)	40	58392	Rear Cover

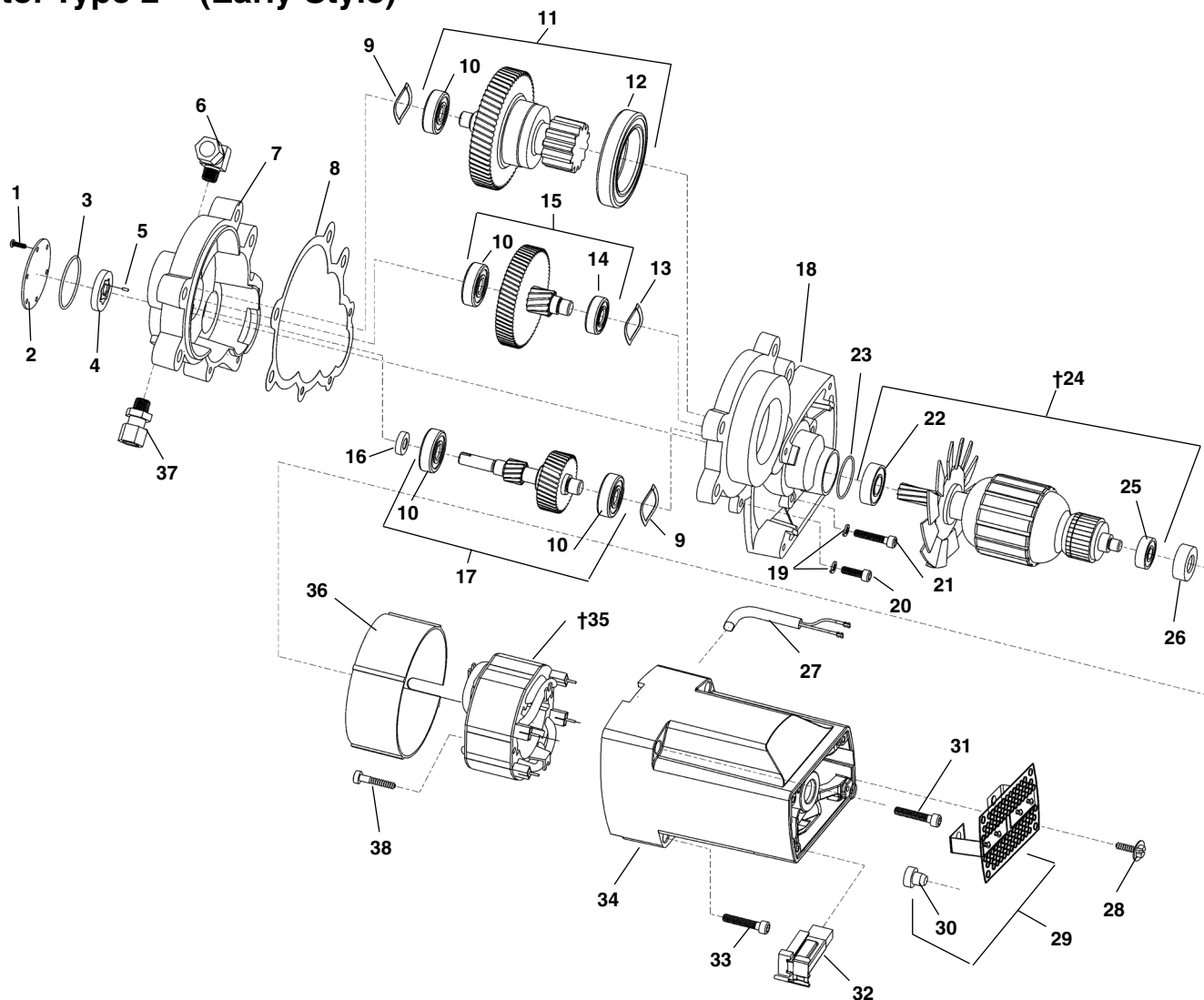
Carriage and Oil System



**NOTE: Order parts by Catalog Number only.
DO NOT order by Reference Number.**

Ref. No.	Catalog No.	Description	Ref. No.	Catalog No.	Description
1	58407	Carriage (Includes Ref. #2)	16	58457	Idler Shaft
2	46810	Die Head Detente	17	58427	Plastic Plug (Not Shown)
3	54102	O-Ring	18	58462	Handwheel
4	35307	Oil Pressure Relief	19	45420	Screw
5	54097	Bypass Valve	20	58467	Filter Screen Assembly
6	58417	Roll Pin	21	61897	Oil Tube
7	58422	Rear Rail	22	54142	Bulkhead Fitting
8	58257	Plug (2)	23	58477	Intake Oil Line - 11"
9	58432	Oil Line	24	35117	Tube Insert
10	35062	Clamp	25	58482	Output Oil Line - 25"
11	79965	Screw 10-32 x 1/2"	26	58487	Carriage Stop
12	58437	Front Rail	27	47080	Grommet
13	58442	Retaining Ring	28	35142	Hose Clamp
14	58447	Carriage Pinion Gear		54107	Retaining Ring
15	58452	Bushing			

Motor Type 2 – (Early Style)



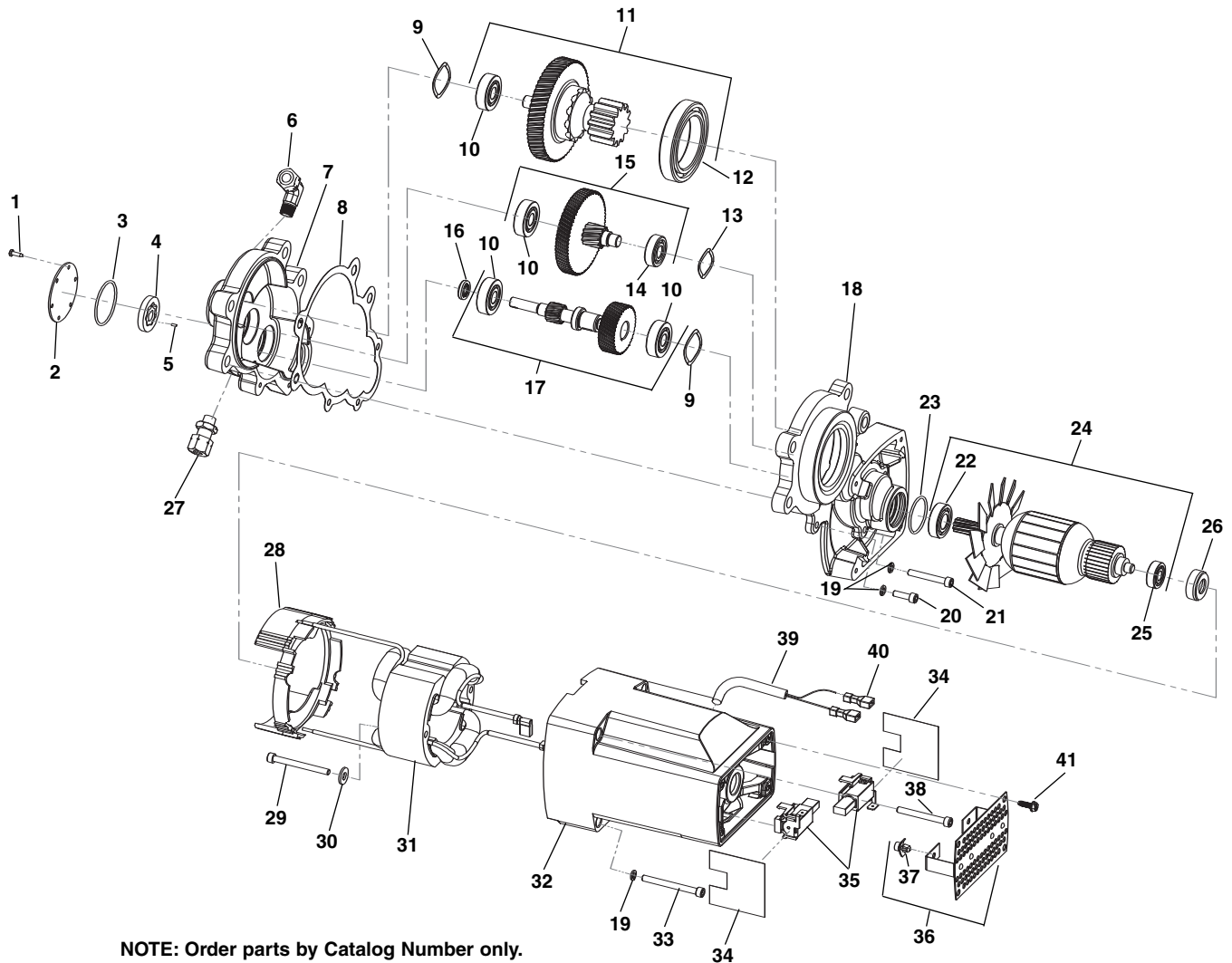
**NOTE: Order parts by Catalog Number only.
DO NOT order by Reference Number.**

Ref. No.	Catalog No.	Description	Ref. No.	Catalog No.	Description
—	58352	4194 Motor Assembly - 115V	20	58547	Screw 10-32 x 3/4" S.H.C.S.
1	96890	Screw 4-40 x 3/8" (6)	21	26642	Screw 10-32 x 1 3/4" S.H.C.S.
2	96840	Geroter Cover	22	60227	O-Ring
3	96875	O-Ring	23	45912	Bearing
4	96870	Geroter Set	†24	45907	Armature Assembly - 115V
5	96885	Geroter Pin	25	43017	Bearing
6	52517	90 degree fitting	26	42777	Rubber Bearing Mount
7	58492	Rear Gear Case	27	58562	Wiring Harness
8	58497	Gasket	28	10908	Screw Self Tapping (4)
9	58502	Wave Spring (2)	29	10913	End Cover
10	44760	Bearing (4)	30	10918	Bumper
11	58507	Drive Gear Assembly	31	10933	Screw #10-32 x 1 5/8" S.H.C.S.
12	58512	Bearing	32	34078	Brush Holder Assembly (2) 115V
13	35365	Wave Spring	33	10938	Screw #10-32 x 2" S.H.C.S. (5)
14	58522	Bearing	34	22048	Motor Housing
15	58527	2nd Gear Assembly	†35	45897	Field Assembly 115V
16	96880	Oil Seal	36	35328	Fan Shroud
17	58532	1st Gear Assembly	37	58582	Straight Fitting
18	58537	Front Gear Case	38	10923	Screw #10-24 x 2" S.H.C.S. (2)
19	58542	#10 Lock Washer (3)			

† Service Note: When replacing early style 100V, 115V or 230V armature# or field# you must replace with both new style armature#, field# and brushes#.

Motor Type 2 – Motors built after Serial Number EAH XXXX 1109

4194



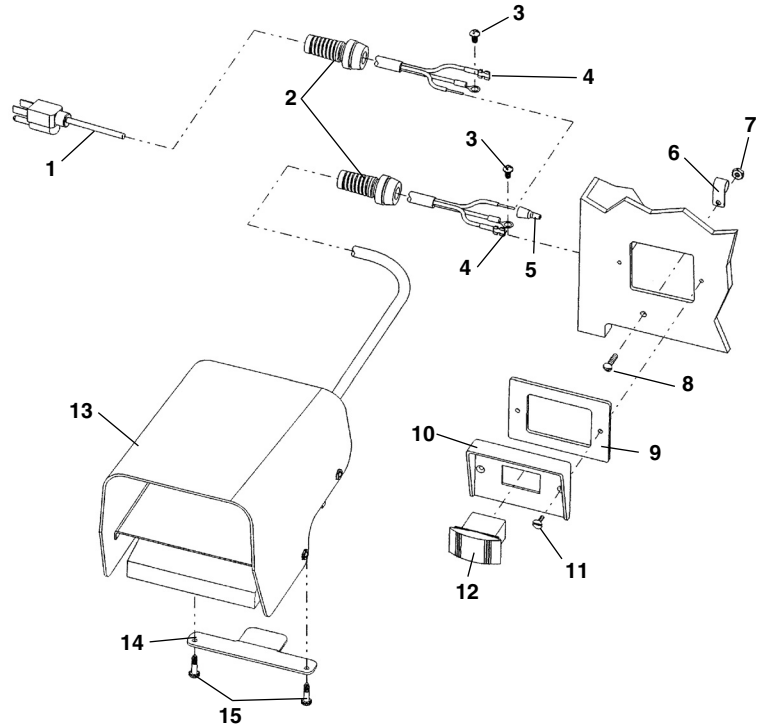
**NOTE: Order parts by Catalog Number only.
DO NOT order by Reference Number.**

Ref. No.	Catalog No.	Description	Ref. No.	Catalog No.	Description
—	58352	4194 Motor Assembly - 115V	22	45912	Bearing
—	58347	Motor Assembly EU -230V	23	60227	O-Ring
1	96890	Screw 4-40 x 3/8" (6)	24	40943	Armature Assembly - 115V
2	96840	Gerotor Cover		40948	Armature Assembly - 230V
3	96875	O-Ring	25	43017	Bearing
4	96870	Gerotor Set	26	42777	Rubber Bearing Mount
5	96885	Gerotor Pin	27	58582	Straight Fitting
6	52517	90 Degree Fitting	28	35328	Fan Shroud
7	58492	Rear Gear Case	29	10923	Screw #10-24 x 2" S.H.C.S (2)
8	58497	Gasket	30	41592	#12 Flat Washer
9	58502	Wave Spring (2)	31	38848	Field Assembly 115V
10	44760	Bearing (4)		38853	Field Assembly 230V
11	58507	Drive Gear Assembly	32	22048	Motor Housing
12	58512	Bearing	33	10938	Screw #10-32 x 2" S.H.C.S (5)
13	35365	Wave Spring	34	39003	Shield (2)
14	58522	Bearing	35	34078	Brush Assembly 115V
15	58527	2nd Gear Assembly		34083	Brush Assembly 230V
16	96880	Oil Seal	36	10913	End Cover
17	58532	1st Gear Assembly	37	10918	Bumper (2)
18	58537	Front Gear Case	38	10933	Screw #10-32 x 1 3/4" S.H.C.S (5)
19	58542	#10 Lock washer (3)	39	58562	Wiring Harness
20	58547	Screw 10-32 x 3/4" S.H.C.S.	40	59007	Female Disconnect (2)
21	26642	Screw 10-32 x 1 3/4" S.H.C.S.	41	10908	Self Tapping Screw (4)

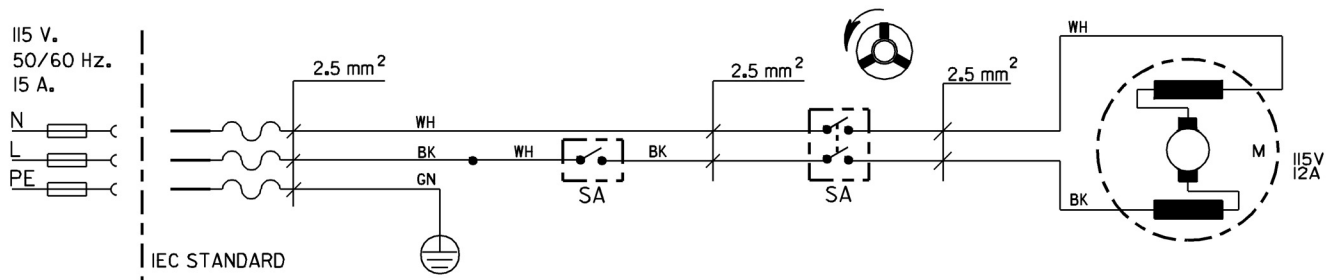
Electrical Components – 115V/60Hz

**NOTE: Order parts by Catalog Number only.
DO NOT order by Reference Number.**

Ref. No.	Catalog No.	Description
1	46740	Power Cord
2	29788	Strain Relief (2)
3	45420	Ground Screw (2)
4	58587	Quick Disconnect (2)
5	44635	Wire Nut
6	54222	Cable Clamp (2)
7	44695	Hex Nut #10-24
8	92455	Screw #10-24 x 3/4" Round Head
9	54172	Switch Gasket
10	74412	Switch Plate
11	54162	Screw 6-32 x 2" Flat Head (2)
12	58597	Switch
13	36642	B-294 Foot Switch
14	58602	Foot Switch Hanger Bracket
15	54357	Screw



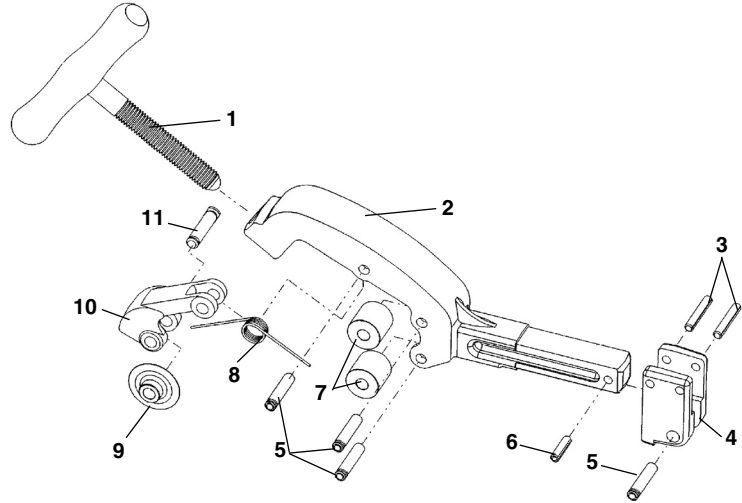
Wiring Diagram – 115V



No. 732 Pipe Cutter

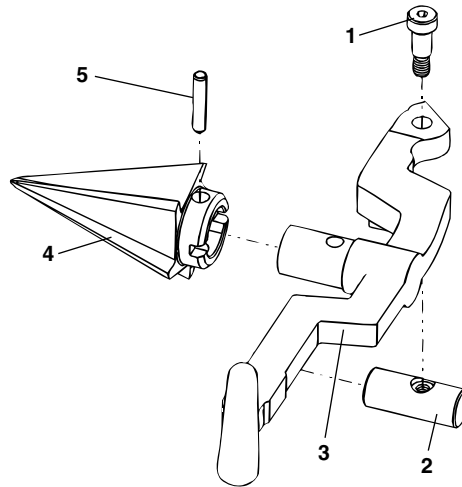
**NOTE: Order parts by Catalog Number only.
DO NOT order by Reference Number.**

Ref. No.	Catalog No.	Description
—	58657	732 Cutter Assembly
1	58607	Handle Assembly
2	58612	Cutter Frame
3	54300	Roll Pin 1/4" x 1 1/2" (2)
4	58627	Support Arm Bracket
5	46662	Roller Pin (4)
6	58090	Roll Pin 1/4" x 1"
7	46960	Roll (2)
8	58617	Torsion Spring
9	44185	Cutter Wheel
10	58622	Wheel Housing
11	34780	Wheel Pin



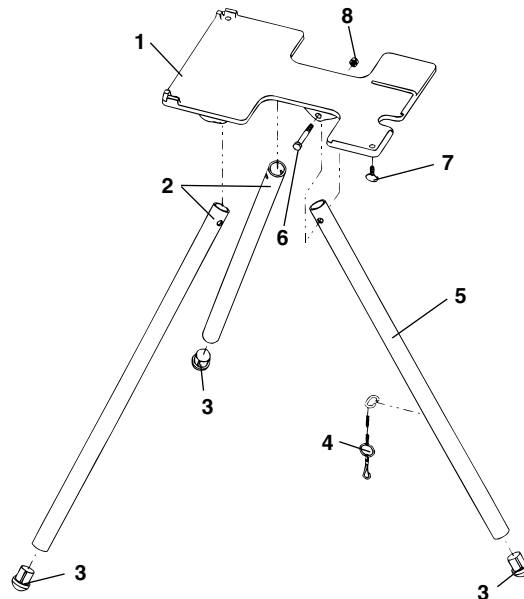
No. 344 Reamer

Ref. No.	Catalog No.	Description
—	34612	344 Reamer Complete
1	36262	Shoulder Screw
2	36267	Pivot Pin
3	36272	Reamer Arm
4	36277	Reamer Cone (R.H.)
	46660	Reamer Cone (L.H. & R.H.)
5	35355	Split Roll Pin

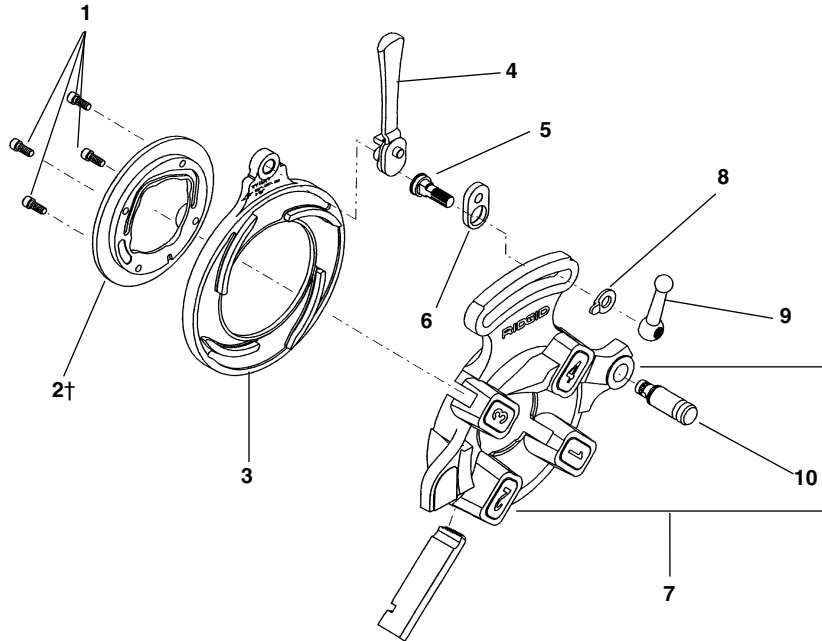


No. 1203 Stand

Ref. No.	Catalog No.	Description
—	61187	1203 Stand
1	61182	Base
2	58637	Front Leg (2)
3	61470	Leg Rest (3)
4	40945	Chain Assembly
5	58412	Rear Leg
6	80045	Screw 3/8" - 16 x 3 1/4" (3)
7	46220	Thumb Screw (3)
8	79985	Lock Nut 3/8" - 16 (3)



**811A
842
555
531B
532B
500A MONO**



Service Note

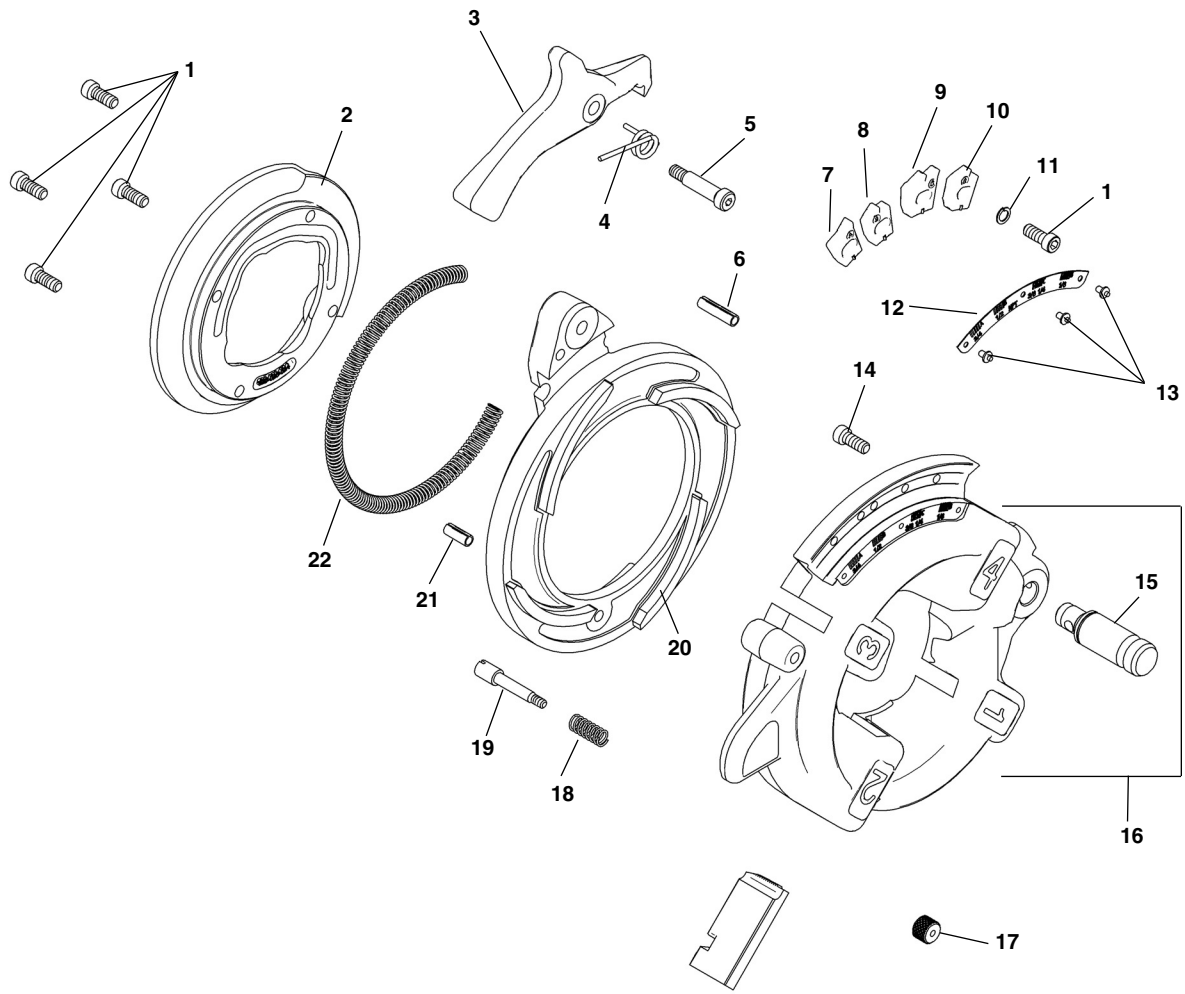
†2 Retaining Ring must be oriented as shown for proper oil flow.

QUICK OPENING DIE HEADS

NOTE: Order parts by Catalog Number only. DO NOT order by Reference Number.

Ref. No.	1	2†	3	4	5	6	7	8	9	10
Die Head & Catalog No.	Screw	Retaining Ring	Cam Plate	Throw-Out Lever	Lock Screw	Link	Head/w Post	Lever Washer	Clamp Lever	Post
811A (97065) 1/8"-2" RH NPT	32205	97020	43360	46520	39860	39950	40922	26957	39970	59832
842 (23282) 1/8"-2" LH NPT	32205	23292	43360	46520	39860	39950	23287	26957	39970	59832
555 (10491) 1/8"-3/4"	32205	24256	43365	46555	39860	39950	24006	26957	39970	59832
531B (97045) 1/4"-1" RH/LH	32205	46620	43405	46555	39955	39950	97055	26957	39970	59832
532B (97050) 1 1/8"-2" RH/LH	32205	46625	43410	46555	39955	39950	97060	26957	39970	59832
811A (97070) 1/8"-2" BSPT	32205	97020	43360	46520	39860	39950	40957	26957	39970	59832
842 (23297) 1/8"-2" LH (BSPT)	32205	23292	43360	46520	39860	39950	23302	26957	39970	59832
500A Mono (1/8"-3/8") RH 1/8" (41032) 1/4" (41037) 3/8" (41042)	32205	1/8"-41862 1/4"-41867 3/8"-41872	43305	46555	47140	39950	41907	26957	46820*	59832
500A Mono (1/2"-3/4") RH 1/2" (41047) 3/4" (41062)	32205	1/2"-41877 3/4"-41882	43300	46555	47140	39950	41912	26957	46820*	59832
500A Mono (1"-1 1/4") RH 1" (41057) 1 1/4" (41062)	32205	1"-41887 1 1/4"-41892	43295	46555	47140	39950	41917	26957	46820*	59832
500A Mono (1 1/2"-2") RH 1 1/2" (41067) 2" (41072)	32205	1 1/2"-41897 2"-41902	43290	46555	47140	39950	41922	26957	46820*	59832

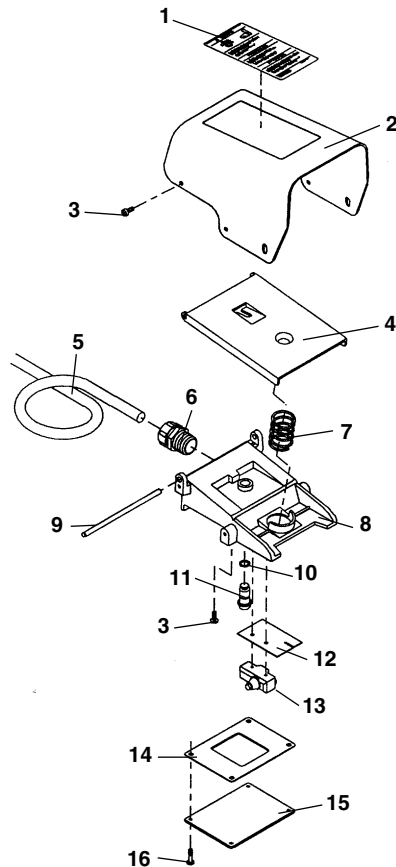
*Hex Nut For Mono Die Heads



**NOTE: Order parts by Catalog Number only.
DO NOT order by Reference Number.**

Ref. No.	Catalog No.	Description	Ref. No.	Catalog No.	Description
—	84537	816 Die Head 1/8" - 3/4"	11	44740	Split Lock Washer, 1/4" (4)
—	84532	817 Die Head 1" - 2"	12	92772	Size Plate 816 1/8" - 3/4"
1	40910	Screw, 1/4" - 20 x 3/4" S.H.C.S. (8)	12	92777	Size Plate 817 1" - 2"
2	92767	Retaining Ring	13	85920	Pop Rivet 3/32" (3)
3	92822	Handle	14	32145	Screw, 1/4" - 20 x 1/2" S.H.C.S.
4	92817	Spring	15	59832	Die Head Post
5	92812	Shoulder Bolt	16	92757	Die Head Body w/Post
6	92832	Roll Pin 1/4" x 5/8"	17	92802	Plunger Knob
7	92782	Adjusting Block 816/817 3/4", 2" Type A	18	92807	Plunger Spring
8	92787	Adjusting Block 816 1/2" Type B	19	92797	Plunger Shaft
	92782	Adjusting Block 817 1 1/2" Type A	20	92762	Cam Plate
9	92792	Adjusting Block 816 1/4", 3/8" Type C	21	58090	Roll Pin 1/4" x 1"
	92787	Adjusting Block 817 1 1/4" Type B	22	92827	Spring
10	92787	Adjusting Block 816/817 1/8", 1" Type B			

**B-294
B-295
301-A
B-294 HD**



**NOTE: Order parts by Catalog Number only.
DO NOT order by Reference Number.**

Ref. No.	Catalog No.	Description
—	36642	B-294 Foot Switch
—	36647	B-295 Foot Switch
—	36662	301-A Foot Switch
—	75962	B-294 HD Foot Switch
1	36667	Warning Label (B-294)
	36672	Warning Label (B-295)
	36687	Warning Label (301-A)
	76352	Warning Label (B-294 HD)
2	36692	Cover
3	36787	Screw #10 Self-tapping (5)
4	36697	Foot Pedal
5	68880	Cord (B-294)
	36712	Cord (B-295)
	36727	Cord (301-A)
	75972	Cord (B-294 HD)
6	36732	Cord Connector
	75977	Cord Connector (B-294 HD)
7	36702	Spring
8	54347	Base
9	36747	Pivot Pin
10	36767	O-Ring
11	36772	Poppet
12	54367	Insulator
13	36762	Micro Switch
14	54372	Seal
15	54362	Bottom Cover
16	54357	Bottom Cover Screw (4)