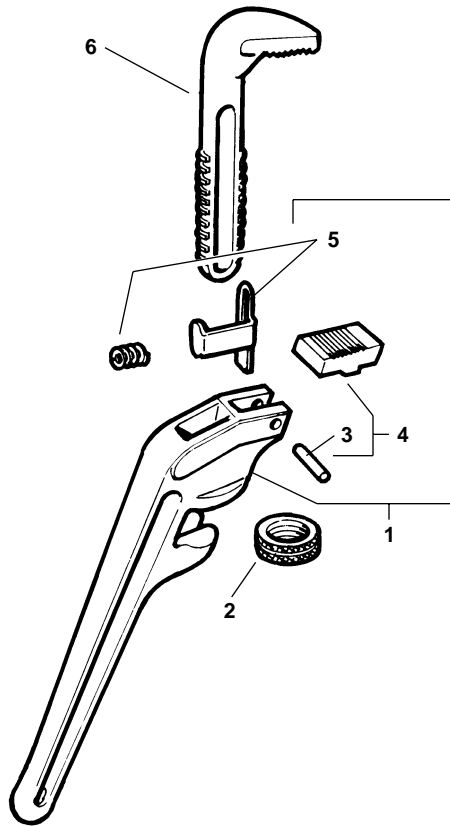


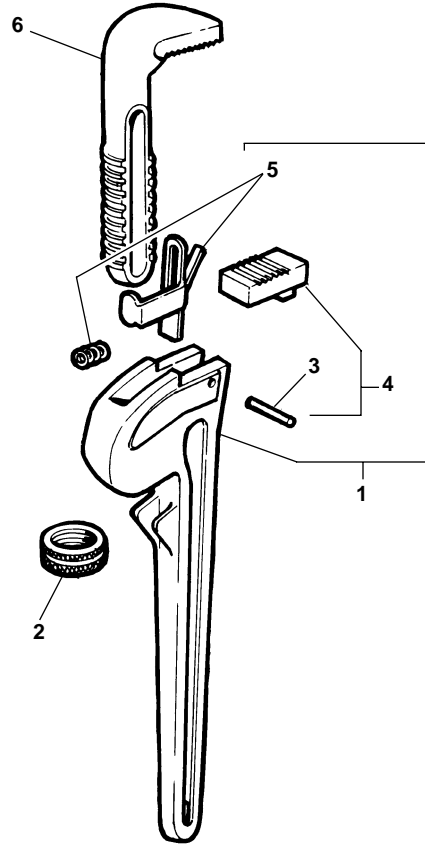
End Pipe Wrench

Capacity: 3/4" through 5"



Straight Pipe Wrench

Capacity: 3/4" through 8"



**NOTE: Order parts by Catalog Number only.
DO NOT order by Reference Number.**

Ref. No.			1			2	3	4	5	6
			Handle Assembly			Nut	Pin	Heel Jaw Assembly	Spring Assembly	Hook Jaw
Wrench Size			Straight Malleable	End	Straight Aluminum					
Str.	End	Pipe Cap.	Catalog No.	Catalog No.	Catalog No.	Catalog No.	Catalog No.	Catalog No.	Catalog No.	Catalog No.
6"	E-6"	3/4"	31420	31470	—	31570	31575	31560	31565	31555
8"	E-8"	1"	31425	31475	—	31595	31600	31585	31590	31580
10"	E-10"	1 1/2"	31430	31480	31510	31615	31625	31610	31620	31605
12"	E-12"	2"	31435	31485	49972	31645	31650	31635	31640	31630
14"	E-14"	2"	31440	31490	31515	31665	31650	31635	31660	31655
18"	E-18"	2 1/2"	31445	31495	31520	31685	31690	31675	31680	31670
24"	E-24"	3"	31450	31500	31525	31710	31715	31700	31705	31695
36"	E-36"	5"	31455	31505	31530	31735	31740	31725	31730	31720
48"		6"	31460	—	31535	31760	31765	31750	31755	31745
60"		8"	31465	—	—	31785	31790	*31775	31780	31770
10" Rapwrench		1 1/2"	32775	—	—	31615	31625	31610	31620	31605
10" for plastic coated pipe			—	—	—	31615	43452	43457	31620	43462
14" for plastic coated pipe			—	—	—	—	31650	43472	31660	43477
18" for plastic coated pipe			—	—	—	—	31685	43492	31680	43497

* No. 31775 used on Hook Jaw also.