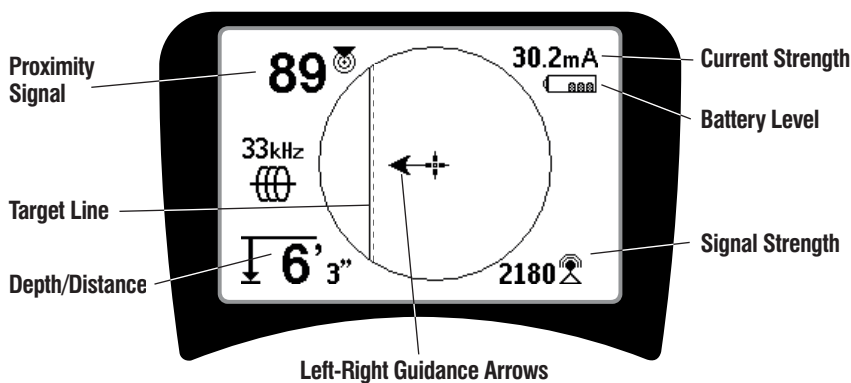


# RIDGID

# SeekTech<sup>®</sup> SR-20

The world's first mapping display with Omni-Directional antennas let's you do more with greater certainty...



For a **FREE DEMONSTRATION\***  
contact your **RIDGID representative**

\*Selected products only & subject to availability & location

## All the information you need to locate underground utilities with ease and confidence!

The Mapping Display confirms a good locate signal and identifies distortion in congested areas using:

- **Target Line** – Guides the operator down the line and shows changes in direction.
- **Left-Right Guidance Arrows** – Points the operator to the target utility.
- **Proximity Signal and Signal Strength** – Helps the operator centre the locator closer to the target for more confident locates.

Other features include:

- **Continual Depth** – Increase productivity by showing depth changes in real time.
- **Current** – Identifies current on target line for faster diagnosis of complex locates.
- **Sensitivity** – Customizes the SR-20 to locate within specified depth ranges.



RIDGID.COM.AU



CONNECT WITH US

- ridgid australia
- RIDGID Tools
- ridgid\_australia

## ORDER INFORMATION

CATALOG NO.	DESCRIPTION	WEIGHT	
		(lb.)	(kg.)
21893	SeekTech SR-20 Line Locator	3.9	1.8
21898	SeekTech ST-305 Transmitter (5 watts)	2.4	1.1
50793R	SeekTech ST-305R Transmitter (5W; 18V Compatible)	5.0	2.2
21903	SeekTech ST-510 Transmitter (10 watts)	8.9	4.0
72963	SeekTech Inductive Signal Clamp	1.8	0.8

\*Up to 90 kHz for devices sold in Europe, Australia and New Zealand.

## SPECIFICATIONS

### Active Line

- Trace
- Frequencies ..... 128Hz, 1kHz, 8kHz, 33kHz
- Passive Power Trace ..... 50Hz, 60Hz,  
< 4kHz Broadband
- Passive Radio Trace ..... 4kHz-15kHz, 15kHz-36kHz
- Sonde Frequencies\* ..... 16Hz, 512Hz, 640Hz, 850Hz, 8kHz, 16kHz, 33kHz
- Weight ..... 1.6kg
- Power Source ..... 4 C-Size Batteries

\*30 user definable frequencies can be set from 10Hz to 35kHz



## The patent pending SR-20 – the industry’s easiest and most advanced way to find underground utilities.



ST-510

Combine the SR-20 with either the ST-305 or ST-510 Transmitter for your complete locating package.

ST-305 and ST-510 transmit signal onto a buried metallic line or cable in one of three ways:

- Direct Connect using attached Clips
- Induction from the Transmitter Coils
- Induction from the optional Inductive Signal Clamp



**Inductive Signal Clamp**  
Allows users to apply a signal to a cable or pipe when direct connection is not possible.

72963

## RIDGID SEEKTECH® ST-305 AND ST-305R TRANSMITTERS

### Transmit two frequencies simultaneously

The RIDGID SeekTech ST-305 and ST-305R are compact yet powerful multi-frequency transmitters. They can be used with any RIDGID SeekTech or NaviTrack® receiver to find buried conductors such as pipes, cables, and wires. With its battery shoe, the ST-305R can be powered by a Li-Ion 18V rechargeable battery or six alkaline or NiMH C-cell batteries.



ST-305

ST-305R

## SPECIFICATIONS

### ST-305

- Frequencies ..... 1kHz, 8kHz, 33kHz, 262kHz
- Output Power .... 5 Watt, Variable
- Output ..... 2 frequencies simultaneous
- Weight ..... 2.4 lbs
- Maximum Open
- Circuit Voltage ... 240VAC 50/60Hz
- Power Source ... 6-C Size Batteries

### ST-305R

- Frequencies ..... 1kHz, 8kHz, 33kHz, 262kHz
- Output Power .... 5 Watt, Variable
- Output ..... 2 frequencies simultaneous
- Weight ..... 2.4 lbs
- Maximum Open
- Circuit Voltage ... 240VAC 50/60Hz
- Power Source ... 6 C-cell or optional 18V Li-Ion

### ST-510

- Frequencies ..... 128Hz, 1kHz, 8kHz, 33kHz, 262kHz
- Output Power ... 10 Watt, Variable
- Weight ..... 8.9 lbs
- Maximum Open
- Circuit Voltage .. 240VAC 50/60Hz
- Power Source .. 8-D Size Batteries

Ridge Tool (Australia) Pty Ltd ABN 96 008 446 482 • 127 Metrolink Circuit Campbellfield Victoria 3061  
Phone 1800 743 443 Fax 1800 801 976 Email [ridgid.australia@emerson.com](mailto:ridgid.australia@emerson.com) Web [www.ridgid.com.au](http://www.ridgid.com.au)

All sales subject to Ridge Tool Company Terms and Conditions of Sales.

999-997-691.10  
Effective Date: August 11, 2022