

K-1000

Rodder

OPERATOR'S MANUAL

- Français – 11
- Castellano – pág. 23



WARNING!

Read this Operator's Manual carefully before using this tool. Failure to understand and follow the contents of this manual may result in carbon monoxide poisoning, fire and/or serious personal injury.

RIDGID®

Table of Contents

Recording Form for Machine Model and Serial Number.....1

General Safety Information

- Work Area Safety2
- Personal Safety2
- Tool Use and Care2
- Service2

Specific Safety Information

- Machine Safety.....2

Description, Specifications and Standard Equipment

- Description3
- Specifications3
- Standard Equipment.....3
- Rods and Tools4

Machine Assembly

- Instructions for Installing Handle and Throttle Cable.....4
- Instructions for Engine.....4
- Instructions for Assembling Rods and Tools4

Machine Inspection5

Machine and Work Area Set Up5

Operation Instructions

- Operating Rodder.....6

Accessories7

Maintenance Instructions

- Torque Limiter Adjustment8
- Torque Limiter Adjustment Using Torque Wrench8
- Torque Limiter Adjustment Using Spring Scale.....9
- Engine9
- Transmission9
- Centrifugal Clutch9
- Wheel Assemblies9
- Checking Engine Idle (RPM) Speed.....9
- Throttle Adjustment9
- “V” Belt Tension Adjustment.....9
- Main Bearings10
- Storing of Rods.....10

Tool Storage.....10

Service and Repair10

Lifetime Warranty.....Back Cover



K-1000 Rodder



K-1000 Rodder	
Record Serial Number below and retain product serial number which is located on nameplate.	
Serial No.	

General Safety Information

WARNING! Read and understand all instructions. Failure to follow all instructions listed below may result in fire and/or serious personal injury.

SAVE THESE INSTRUCTIONS!

Work Area Safety

- **Keep your work area clean and well lit.** Cluttered benches and dark areas invite accidents.
- **Do not operate power tools in explosive atmospheres, such as in the presence of flammable liquids, gases, or dust.** Tools create sparks which may ignite the dust or fumes.
- **Keep bystanders, children, and visitors away while operating a tool.** Distractions can cause you to lose control.
- **Keep the engine at least one meter (3 feet) away from buildings and other equipment during operation. Do not place flammable objects close to engine.** Procedures should be followed to prevent fire hazards and to provide adequate ventilation.

Personal Safety

- **Stay alert, watch what you are doing and use common sense when operating a power tool. Do not use tool while tired or under the influence of drugs, alcohol, or medications.** A moment of inattention while operating power tools may result in serious personal injury.
- **Dress properly. Do not wear loose clothing or jewelry. Contain long hair. Keep your hair, clothing, and gloves away from moving parts.** Loose clothes, jewelry, or long hair can be caught in moving parts.
- **Remove adjusting keys before turning the tool ON.** A wrench or a key that is left attached to a rotating part of the tool may result in personal injury.
- **Do not over-reach. Keep proper footing and balance at all times.** Proper footing and balance enables better control of the tool in unexpected situations.
- **Use safety equipment. Always wear eye protection.** Dust mask, non-skid safety shoes, hard hat, or hearing protection must be used for appropriate conditions.

Tool Use and Care

- **Do not force tool. Use the correct tool for your application.** The correct tool will do the job better and safer at the rate for which it is designed.
- **Store idle tools out of the reach of children and**

other untrained persons. Tools are dangerous in the hands of untrained users.

- **Maintain tools with care. Keep cutting tools sharp and clean.** Properly maintained tools with sharp cutting edges are less likely to bind and are easier to control.
- **Check for misalignment or binding of moving parts, breakage of parts, and any other condition that may affect the tools operation. If damaged, have the tool serviced before using.** Many accidents are caused by poorly maintained tools.
- **Use only accessories that are recommended by the manufacturer for your tool.** Accessories that may be suitable for one tool may become hazardous when used on another tool.
- **Keep handles dry and clean; free from oil and grease.** Allows for better control of the tool.

Service

- **Tool service must be performed only by qualified repair personnel.** Service or maintenance performed by unqualified repair personnel could result in injury.
- **When servicing a tool, use only identical replacement parts. Follow instructions in the Maintenance Section of this manual.** Use of unauthorized parts or failure to follow maintenance instructions may create a risk of injury.

Specific Safety Information

▲ WARNING

Read this operator's manual carefully before using the RIDGID K-1000 Rodder. Failure to understand and follow the contents of this manual may result in fire and/or serious personal injury.

Call the Ridge Tool Company, Technical Service Department at (800) 519-3456 if you have any questions.

Machine Safety

- **Wear leather gloves provided with the machine. Never grasp a rotating rod with a rag or loose fitting cloth glove.** Could become wrapped around the rod and cause serious injury.
- **Wear safety glasses and rubber soled, non-slip shoes.** Use of this safety equipment may prevent serious injury.
- **Never operate machine with guards removed.** Fingers can be caught between the chain sprocket.
- **Do not operate machine in (REV) reverse.** Operating

machine in reverse can result in rod damage and is used only to back tool out of an obstruction.

- **Start engine with shift lever in NEUTRAL position. Shift lever must also be in NEUTRAL (straight up) position when adding or removing tools and rod or any other time when machine is not in use.** Prevents unexpected rotation of rods.
- **Disconnect spark plug when performing maintenance on Rodder or engine.** This action will prevent accidental starting and serious injury.
- **Operate rodder properly. Do not operate with more than 20 feet of rod between machine and manhole. The arcing of rod at manhole should not exceed 3 feet.** This will minimize the possibility of kinking rods and serious injury.
- **When striking an obstacle that causes the tool to hang-up, do not attempt to force the machine by manually pushing on the exposed rods. Do not uncouple rods that are in a stressed condition.** This will cause kinking and whipping of the rods which could cause serious injury.
- **Do not overstress rods. Do not use badly worn or bent rods. Be sure torque limiter is adjusted properly to 50 ft.-lbs. maximum.** Overstressing rods because of obstruction can be dangerous to operators as rods may twist or kink.
- **Use caution when handling gasoline. Refuel in well-ventilated area. Do not overfill fuel tank and do not spill fuel. Make sure tank cap is closed properly.** Gasoline is extremely flammable and is explosive under certain conditions.
- **Never run the engine in an enclosed or confined area.** Exhaust contains poisonous carbon monoxide gas; exposure may cause loss of consciousness and may lead to death. Exhaust also contains chemicals that the State of California believes may cause cancer or reproductive harm.
- **Be careful not to touch the muffler while it is hot. To avoid severe burns or fire hazards, let the engine cool before transporting or storing it indoors.** The muffler becomes very hot during operation and remains hot for a while after stopping the engine.
- **Only use the K-1000 to clean straight drain lines 8" to 24" in diameter. Follow instructions on the use of the machine.** Other uses or modifying the rodder for other applications may increase the risk of injury.
- **Do not use tool if releasing the throttle does not stop the rod rotation.** Any tool that cannot be controlled is dangerous and must be repaired.

Description, Specifications and Standard Equipment

Description

The RIDGID Model K-1000 Rodder is a gasoline, engine-driven machine for cleaning straight line work in sewer mains, drain tile, water mains and process piping. Will clean drains 8" to 24" in diameter and 500 feet in length. The machine uses sectional solid rods that have a quick coupler for connecting or disconnecting tools and rods.

Specifications

- Line Capacity.....8" – 24" dia. Drain/Sewer Line
- Transmission (2 speed):
 - FWD Gear133 RPM
 - REV Gear.....133 RPM
- ThrottleVariable speed, returns speed to idle when operator releases grip
- Engine4 cycle, gasoline, 6hp
Vertical shaft
- ClutchCentrifugal clutch open when operator releases throttle
- Length32"
- Width26"
- Height (assembled with handle)40"
- Weight
Machine only160 lbs.

Standard Equipment

Catalog No.	Model No.	Description
59175	K-1000	Rodder Machine, includes: – B-3542 Rod Driver – A-2704 Tool Driver – A-3567 Drive Pin – R-0 Rod Turner – A-4558 Torque Adapter – A-12 Coupling Pin Key – A-1 Operator's Mitt (LH) – A-2 Operator's Mitt (RH)
84295	K-1000	Rodder Machine, same as above, plus: – 20 Sections of A-2475, 9/16" Rod, Total of 100 Feet – T-300 Spear Head Cutter – T-317 Auger – T-326 Pick-Up Tool

Rods

Catalog No.	Model No.	Description
60355	A-2474	3' Solid Sectional Rod, includes R-1 Male and R-2 Female Couplings
60360	A-2475	5' Solid Sectional Rod, includes R-1 Male and R-2 Female Couplings
60365	A-2476	10' Solid Sectional Rod, includes R-1 Male and R-2 Female Couplings

Tools and Replacement Blades

Catalog No.	Model No.	Description
62045	T-300	Spear Head
62050	T-301	Round Stock Corkscrew, 1 1/2"
62055	T-302	Round Stock Corkscrew, 2"
62060	T-303	Round Stock Corkscrew, 2 1/2"
62065	T-304	Round Stock Corkscrew, 3"
62070	T-305	Round Stock Corkscrew, 3 1/2"
62075	T-306	Double Corkscrew, 3"
62080	T-307	Double Corkscrew, 4"
62085	T-308	Double Corkscrew, 5"
62090	T-309	Square Stock Corkscrew, 3"
62095	T-310	Square Stock Corkscrew, 4"
62100	T-311	Square Stock Corkscrew, 5"
62105	T-312	Square Stock Corkscrew, 6"
62370	T-313	Square Stock Corkscrew, 8"
62375	T-314	Square Stock Corkscrew, 10"
62380	T-315	Square Stock Corkscrew, 12"
62110	T-316	Auger, 3"
62115	T-317	Auger, 4"
62120	T-318	Auger, 5"
62125	T-319	Auger, 6"
62385	T-320	Auger, 8"
62390	T-321	Auger, 10"
62140	T-326	Pick-Up Tool

The following Heavy-duty Cable Tools are also recommended for use with rod.

Catalog No.	Model No.	Description	Replacement Blade(s)
61800	T-2	Heavy-Duty Straight Auger	—
61790	T-4	Heavy-Duty Funnel Auger	—
63200	T-7	Hook Auger	—
61960	T-16	Spiral Bar Cutter, 4"	97855
61850	T-17	Spiral Bar Cutter, 6"	97955
61855	T-18	Spiral Bar Cutter, 8"	97960
63085	T-23	Spiral Sawtooth Cutter, 4"	97850
59765	T-24	4-Blade Cutter, 2 1/2"	97940
59770	T-25	4-Blade Cutter, 3 1/2"	97975
59775	T-26	4-Blade Cutter, 4 1/2"	97805
59780	T-26A	4-Blade Cutter, 5 1/2"	97980

Machine Assembly

▲ WARNING

To prevent serious injury, proper assembly of the K-1000 Rodder is required. The following procedures should be followed:

Instructions for Installing Handle and Throttle Cable

1. Insert handle assembly into handle openings in base and attach by means of four 3/8" bolts provided (Figure 1).
2. Attach free end of throttle cable to throttle handle and secure cable to left side of handle with two cable clamps provided.



Figure 1

Instructions for Engine

1. Engine is shipped without oil. Fill with oil prior to starting engine (See enclosed Engine Owner's Manual for details).

CAUTION Failure to fill engine with oil will result in engine failure.

Instructions for Assembling Rods and Tools

1. To connect rods, align and snap the couplings together for a solid connection (Figure 2).

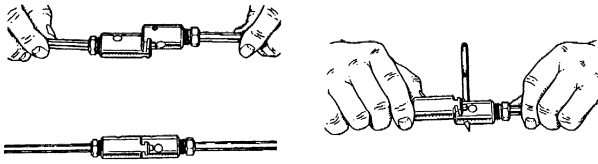
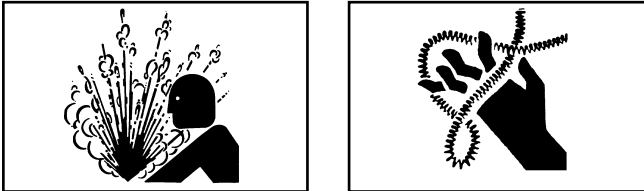


Figure 2 – Connecting/Disconnecting Rods

2. To disconnect, insert pin key and slide couplings apart.

Machine Inspection

▲ WARNING



To prevent serious injury, inspect your Rodder. The following inspection procedures should be performed on a daily basis:

1. Check engine crankcase oil level. If low, add oil (see enclosed *Engine Owner's Manual* for details).
2. Check engine fuel level. If low, add unleaded gasoline with a pump octane rating of 86 or higher. (See enclosed *Engine Owner's Manual* for details).

▲ WARNING Use caution when handling gasoline. Refuel in well-ventilated area. Do not over fill fuel tank and do not spill fuel. Make sure tank cap is closed properly.

3. Inspect the rodder for any broken, missing, misaligned or binding parts as well as any other conditions which may affect the safe and normal operation of the machine. If any of these conditions are present, do not use the Rodder until any problem has been repaired.
4. Lubricate the Rodder, if necessary, according to the Maintenance Instructions.
5. Use tools and accessories that are designed for your rodder and meet the needs of your application. The correct tools and accessories will allow you to do the job successfully and safely. Accessories suitable for use with other equipment may be hazardous when used with this rodder.

6. Clean any oil, grease or dirt from all equipment handles and controls. This reduces the risk of injury due to a tool or control slipping from your grip.
7. Inspect the cutting edges of your tools. If necessary, have them sharpened or replaced prior to using the Rodder. Dull or damaged cutting tools can lead to binding and rod kinking.
8. Inspect rod and couplings for wear and damage. Rods should be replaced when they become severely worn, corroded or bent.

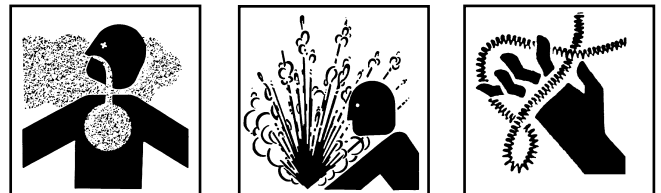
▲ WARNING Worn or damaged rods can break causing serious injury.

9. Depending on use, torque limiter should be checked every month. The purpose of the torque limiter is to minimize kinking of the rods because of excessive torque caused by heavy blockage within pipe. Torque limiter must be adjusted to a maximum of 50 ft.-lbs. (600 in.-lbs.). Refer to Adjustment Procedure in Maintenance Section.

▲ WARNING Improperly adjusted torque limiter can result in kinking of the rods and serious injury.

Machine and Work Area Set-Up

▲ WARNING



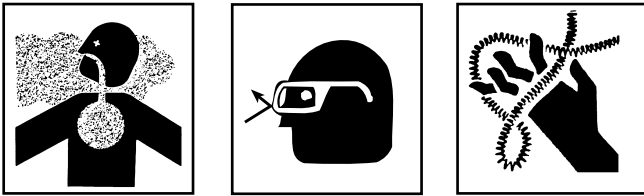
To prevent serious injury, proper set-up of the machine and work area is required. The following procedures should be following to set-up the machine.

1. Check work area for:
 - Adequate lighting.
 - Flammable liquids, vapors or dust that may ignite.
 - Adequate ventilation for engine exhaust.
- ▲ WARNING** Exhaust contains poisonous carbon monoxide gas. Exposure may cause loss of consciousness and may lead to death.
2. Place machine 20 feet from manhole. Greater distance can result in kinking and whipping of rods.
 3. Transmission shift lever should be in NEUTRAL (straight up) position.

4. Select and install proper tool/cutter to end of rod. To connect, snap the male and female couplings together. To disconnect, insert pin key and slip apart (Figure 2).
5. Couple enough rod together to reach down into main and extend out no more than 20 feet.

Operating Instructions

▲ WARNING



Rods may whip or kink. Fingers, hands or other body parts can be crushed or broken. Carbon monoxide poisoning can occur if operated in a confined area.

Wear gloves provided with machine. Never grasp a rotating rod with a rag or loose fitting cloth glove that may become wrapped around the rod causing serious injury.

Always wear eye protection to protect your eyes against dirt and other foreign objects. Wear rubber soled, non-slip shoes.

▲ WARNING Always follow the correct operating procedure in order to maintain proper control of the machine and rods and prevent serious injury (Figure 3).

- When working through a manhole, 2 persons are required. Machine operator and rod handler at manhole.
- Do not operate with more than 20 feet of rod between machine and manhole.
- Arcing of the rod at manhole should not exceed 3 feet.
- If kinking occurs, move all people to rear of machine before shifting transmission. Violent whipping action of rods could cause serious injury.
- If tool hangs up in obstacle, do not force the machine by manually pushing in the exposed rods.

Operating Rodder

1. Transmission shift lever should be in NEUTRAL (straight up) position.
2. Set choke control handle to CHOKE and turn engine over a few times with pull starter.
3. When engine catches, set at RUN and pull throttle control to desired speed.

NOTE! Squeeze throttle handle to REV engine at high speed and immediately release so that engine returns to idle.

▲ WARNING At idle speed, the drive shaft should not be turning. If drive shaft does turn, make sure that throttle control spring is connected or adjust idle speed at the throttle cable handle by loosening stop nut and adjusting cable length (Figure 1).

4. Position rod assembly at manhole.
5. Holding onto both ends of a piece of rope, lower auger or probing tool into manhole, guiding tool towards lateral opening.
6. Use a hand-operated rod turner and feed rod a short distance into lateral opening.
7. Release one end of rope and remove from manhole.
8. Couple rod to machine to rod holder (Figure 1).

▲ WARNING Make certain that rod handler is wearing standard equipment leather mittens with riveted palms. Use no substitute.

9. Place transmission shift lever in FWD gear.
10. Squeeze throttle handle for desired rod (RPM) rotation and push machine forward.
11. As machine is pushed forward, the rod handler should push downward on rod with rod guided between thumbs and palms of hands with fingers extended (Figure 3).

▲ WARNING

The arcing of rod at manhole should not exceed 3 feet.

12. When machine is approximately 8 feet from manhole, release throttle handle and place transmission shift lever in NEUTRAL (straight up) position.
13. Uncouple rod from rod holder, move machine back approximately 10 feet and connect additional rods.

▲ WARNING Do not uncouple rod in stressed conditions.

14. Continue feeding rod by following *steps 9 through 13* until through an obstruction.

▲ WARNING When striking an obstacle that causes tool to hang-up, do not attempt to force the machine by manually pushing on the exposed rods. This will cause kinking and whipping of the rods.

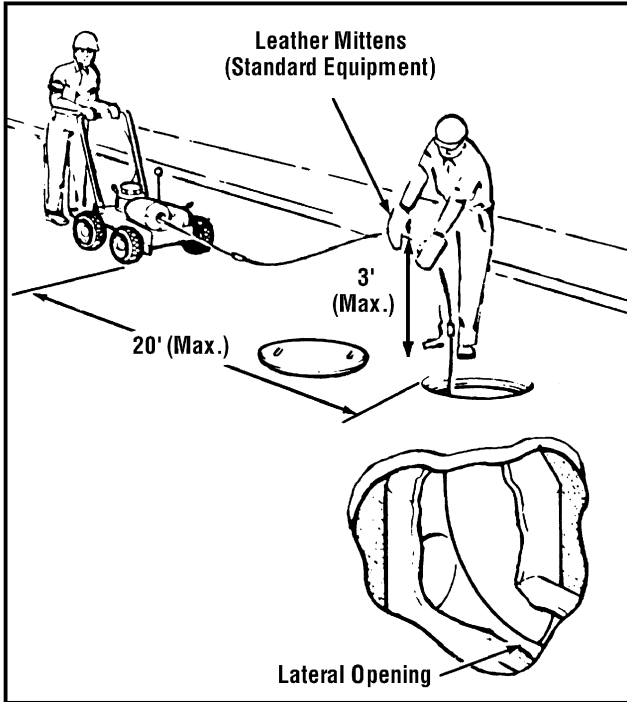


Figure 3 – Operating Rodder

15. If tool gets hung up in obstruction, release throttle handle. Put machine in reverse gear, squeeze throttle control and pull machine back to release tool.

▲ WARNING Only operate machine in reverse to back tool out of obstruction.

▲ WARNING

If kinking of rod occurs, move all people to rear of machine before shifting transmission. Violent whipping action of rod could cause serious injury.

16. If rod kinking occurs, release throttle to return engine to idle speed. Be sure all personnel are to the rear of the machine. Back the machine to remove all slack from the rods. Shift transmission to neutral to insure all torque is released.

17. Proceed through obstruction with transmission shift lever in FWD gear.

18. After clearing obstruction continue through line to make sure that it is clear.

19. When completed, leave transmission shift lever in FWD gear and back machine away from sewer opening.

20. With approximately 20 feet of rods are removed from the manhole, place transmission shift lever in neutral (straight up) position.

21. Uncouple rod from rod holder and disconnect rods by inserting pin key and sliding coupling apart (*Figure 2*).

▲ WARNING Do not uncouple rod in stressed condition.

22. Move machine to manhole and connect rod to rod holder. Place machine in FWD gear and follow steps 19 through 21 until all the rods have been removed from the main.

23. Move choke control handle to STOP position to shift off engine.

Accessories

▲ WARNING Only the following RIDGID products have been designed to function with the K-1000 Rodder. Other accessories suitable for use with other tools may become hazardous when used on the K-1000. To prevent serious injury, use only the accessories listed below.

Catalog No.	Model No.	Description
59835	K-10	Complete Set of Quick-Connect Rod Couplings: One Each R-1 and R-2
59560	R-1	Male Rod Coupling
59555	R-2	Female Rod Coupling
61875	R-7	Male Tool Coupling, connects Tool Adapter to Rodding Tool
61885	R-8	Female Tool Coupling, connects Tool to Tool Adapter
60700	A-2704	Tool Adapter, includes R-2 and R-7 Couplings
62170	B-3542	Rod Holder For K-1000
61895	—	Rod Driver for K-2000
62815	R-O	Rod Turner, used to manually turn Rods in short runs
59205	A-1	Left-Hand Mitt
59295	A-2	Right-Hand Mitt
59360	A-3	Tool Box
59225	A-12	Coupling Pin Key

Maintenance Instructions

▲ WARNING

Disconnect spark plug when performing maintenance on rodder or engine.

Torque Limiter

(Figures 4 & 5)

The purpose of the torque limiter is to minimize kinking of rods and excessive torque through the transmission system. Kinking is caused by heavy blockage within pipe and must be adjusted to no more than 50 ft.-lbs. (600 inch-lbs.).

The torque limiter consists of two fiber discs with one assembled on either side of the drive sprocket A-3569. When clamped against sprocket, the torque limiter produces the only connection between drive shaft B-3548 and drive sprocket A-3569.

Torque Limiter Adjustment Using Torque Wrench

(Figures 4 & 5)

1. Disconnect spark plug wire.
2. Remove 3 screws and guard to expose torque limiter.
3. Back off three cap screws so they do not contact backup plate. They are now free to be turned by hand.

4. Back off torque limiter threaded ring until it turns freely. Hand-tighten torque limiter threaded ring against backup plate.

5. Hand-tighten three cap screws to make contact with backup plate.

NOTE! This insures that all three screws provide even pressure against backup late at beginning of torque adjustment.

6. Insert a 3/16" hex key or pin through both sides of chain near drive sprocket to lock chain.

7. Insert torque testing tool into shaft B-3548 and lock in place with drive pin.

8. Install a 1 inch socket on torque wrench and apply torque to torque testing tool. Record torque reading at which torque limiter slips.

9. If torque reading is less than 50 ft.-lbs. tighten the 3 cap screws uniformly and recheck torque reading. If torque reading is greater than 50 ft.-lbs. loosen the 3 cap screws uniformly and recheck torque reading.

NOTE! Turn cap screws 1/4 turn for initial adjustment. Reduce to 1/8 turn or less for final adjustment to obtain 50 ft.-lbs. reading.

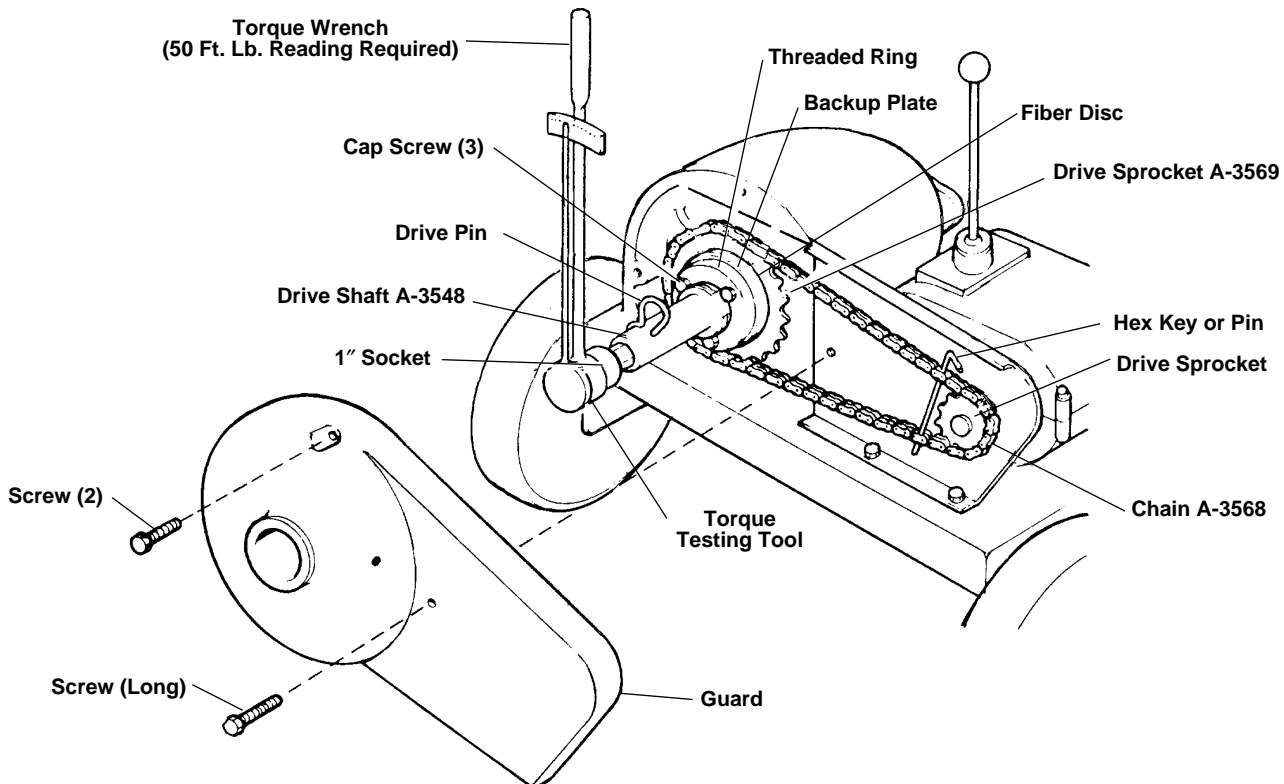


Figure 4 – Adjusting Torque Limiter

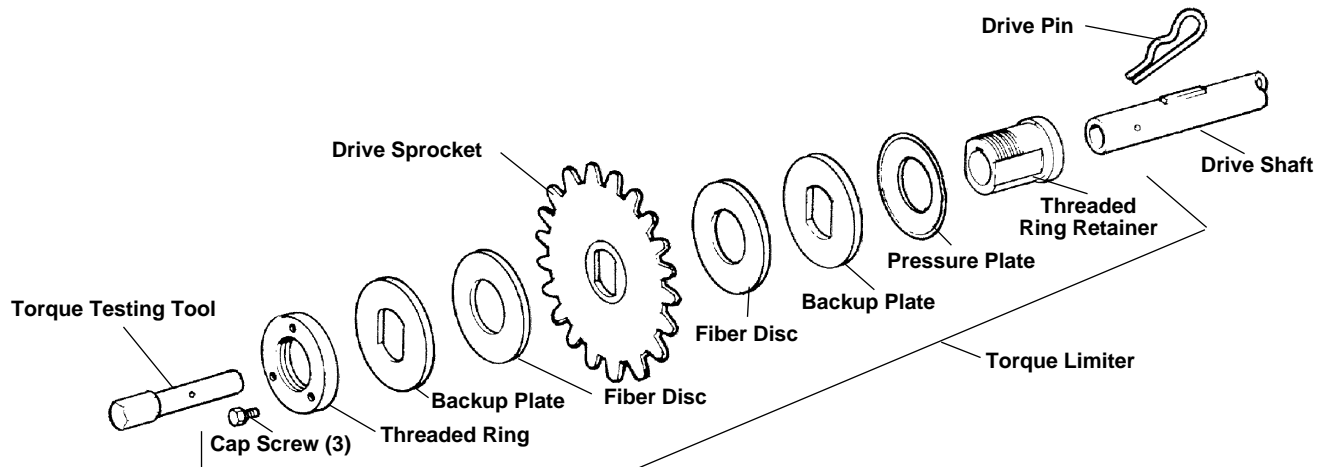


Figure 5 – Torque Limiter, Torque Testing Tool, Drive Sprocket and Drive Shaft

10. Remove hex key or pin that was installed to secure chain.
11. Remove torque wrench, drive pin and torque testing tool.
12. Install guard and secure with 3 screws. One screw is longer than others and is used in lower right hand side.
13. Connect spark plug.

Torque Limiter Adjustment Using Spring Scale

1. Follow steps 1 through 7 of Torque Limiter Adjustment using Torque Wrench.
2. Snap socket drive handle into a 1 inch socket and install on torque testing tool.
3. Measure 12 inches from center of socket along socket drive handle and attach spring scale.
4. Pull on spring scale until torque limiter slips. Scale should read 50lbs.
5. Repeat step 9 above until 50 lbs. reading is obtained.

Engine

Always check engine oil level. For complete directions on engine maintenance, consult the Engine manual enclosed.

Transmission

The transmission needs no relubrication, however, a leak in a seal could allow grease to be depleted after several hours. Such a leak will be obvious and should be corrected.

Centrifugal Clutch

Centrifugal clutch will automatically engage when the throttle is opened. No maintenance should be necessary. However, if slippage should occur from dirt or grease entering clutch, the foreign material should be removed.

Wheel Assemblies

All four wheel assemblies should be greased once a year. The grease fitting is located on the inside face of the hub.

Checking Engine Idle (RPM) Speed

After engine has started, squeeze throttle handle to REV engine at high speed and immediately release so that engine returns to idle.

▲ WARNING At idle speed the drive shaft should not be turning. If drive shaft does turn, make sure that Throttle Control Spring is connected or adjust idle speed at the throttle cable handle by loosening stop nut and adjusting cable length (Figure 1).

Throttle Adjustment

Throttle control is factory set and should not require adjustment. If idle speed seems too high or engine does not speed up when throttle is pulled check throttle linkage.

1. Check speed adjustment by adjusting cable position; loosen clamp at bracket and move slightly.
2. For idle adjustment and mixture control, refer to engine manual enclosed.

"V" Belt Tension Adjustment

"V" Belt should be checked at least once a month. Belt tension should be just enough to drive maximum load at

high speed with throttle open. Excess belt tension will cause the centrifugal clutch to *creep* at idle speed. "V" Belt is tightened by loosening engine mounting bolts and sliding engine to rear.

Main Bearings

The Main Bearings should be greased after using machine on 12 jobs or once every three months, whichever comes first. Guard must be removed to grease front main bearing. Chain should be checked and greased while guard is removed.

▲ WARNING Do not use machine with guard removed.

Storing of Rods

Rods should be thoroughly flushed with water to prevent damaging effect of some drain cleaning compounds. Periodically, lubricate rods and couplings with oil. When storing, uncouple rods. Do not store in a coil since this could cause bending and damage.

Tool Storage

▲ WARNING Motor-driven equipment must be indoors or well covered in rainy weather. Store the machine in a locked area that is out of reach of children and people unfamiliar with machine. This machine can cause serious injury in the hands of untrained users.

Service and Repair

▲ WARNING

The "Maintenance Instructions" will take care of most of the service needs of this machine. Any problems not addressed by this section should only be handled by an authorized RIDGID service technician.

Machine should be taken to a RIDGID Independent Authorized Service Center or returned to the factory. All repairs made by Ridge service facilities are warranted against defects in material and workmanship.

▲ WARNING When servicing this machine, only identical replacement parts should be used. Failure to follow these instructions may create a risk of serious injury.

If you have any questions regarding the service or repair of this machine, call or write to:

Ridge Tool Company
Technical Service Department
400 Clark Street
Elyria, Ohio 44035-6001
Tel: (800) 519-3456
E-mail: TechServices@ridgid.com

For name and address of your nearest Independent Authorized Service Center, contact the Ridge Tool Company at (800) 519-3456 or <http://www.ridgid.com>



Dégorgeoir à tringles K-1000



Dégorgeoir à tringles K-1000	
Inscrivez ci-dessous le numéro de série de la plaque signalétique l'appareil pour future référence.	
N° de série :	

Table des matières

Fiche d'enregistrement des numéros de modèle et de série de la machine	11
Consignes générales de sécurité	
Sécurité du chantier	13
Sécurité individuelle	13
Utilisation et entretien de la machine	13
Service après-vente	13
Consignes de sécurité particulières	
Sécurité de la machine	14
Description, spécifications et équipements de base	
Description	14
Spécifications	15
Équipements de base	15
Tringles et outils	15
Assemblage de la machine	
Installation de la poignée et du câble d'accélérateur	15
Moteur	16
Montage des tringles et des outils	16
Inspection de la machine	16
Préparation de la machine et du chantier	17
Mode d'emploi	
Utilisation du dégorgeoir à tringles	17
Accessoires	19
Entretien	
Réglage du limiteur de couple	19
Réglage du limiteur de couple à l'aide d'une clé dynamométrique	19
Réglage du limiteur de couple à l'aide d'une balance à ressort	21
Moteur	21
Transmission	21
Embrayage centrifuge	21
Roues	21
Vérification du ralenti (t/min.) du moteur	21
Réglage de l'accélérateur	21
Réglage de la tension de la courroie d'entraînement	21
Paliers du vilebrequin	21
Stockage des tringles	21
Stockage de la machine	21
Entretien et réparations	22
Garantie à vie	Page de garde

Consignes générales de sécurité

MISE EN GARDE ! Familiarisez-vous complètement avec l'ensemble des instructions. Le non-respect de ces consignes augmenterait les risques d'incendie et/ou de graves blessures corporelles.

CONSERVEZ CES INSTRUCTIONS !

Sécurité du chantier

- **Maintenez le chantier propre et bien éclairé.** Les établis encombrés et le manque d'éclairage sont à l'origine de nombreux accidents.
- **N'utilisez pas d'appareils électriques en présence de combustibles tels que les liquides, gaz ou poussières inflammables.** Les appareils électriques produisent des étincelles capables d'enflammer les poussières et les émanations combustibles.
- **Eloignez les curieux, les enfants et les visiteurs lorsque vous utilisez une machine de ce type.** Les distractions éventuelles peuvent vous en faire perdre le contrôle.
- **Positionnez la machine à un mètre (3 pieds) au moins de tout bâtiment ou autre matériel durant son fonctionnement. Ne laissez pas d'objets inflammables à proximité du moteur.** Il convient de prendre les précautions nécessaires afin d'éviter les incendies et d'assurer une ventilation adéquate.

Sécurité individuelle

- **Soyez attentif, concentrez-vous sur ce que vous faites et faites preuve de bon sens lorsque vous utilisez un appareil électrique. N'utilisez pas ce type d'appareil lorsque vous êtes fatigués ou lorsque vous prenez des médicaments, de l'alcool ou des produits pharmaceutiques.** Un instant d'inattention peut entraîner de graves blessures lorsque l'on utilise un appareil électrique.
- **Habillez-vous de manière appropriée. Ne portez pas de vêtements amples ou de bijoux. Attachez les cheveux longs. Gardez vos cheveux, vos vêtements et vos gants à l'écart du mécanisme.** Les vêtements amples, les bijoux et les cheveux longs peuvent s'entraver dans le mécanisme.
- **Retirez les clés de réglage avant de mettre la machine en marche.** Toute clé laissée sur une partie rotative de la machine peut être dangereuse.
- **Ne vous mettez pas en porte-à-faux. Maintenez une bonne position des pieds et un bon équilibre à tous moments.** Une bonne position des pieds et un

bon équilibre vous permettent de mieux contrôler la machine en cas d'imprévu.

- **Utilisez les équipements de sécurité appropriés. Portez systématiquement des lunettes de sécurité.** Un masque à poussière, des chaussures de sécurité, le casque et/ou une protection auditive doivent être portés selon les conditions d'utilisation.

Utilisation et entretien de la machine

- **Ne forcez pas les outils. Servez-vous de l'outil adapté au travail à effectuer.** L'outil approprié fera mieux le travail et assurera une meilleure sécurité lorsqu'il tourne au régime prévu.
- **Rangez les outils non utilisés hors de la portée des enfants et des personnes non initiées.** Ces outils sont dangereux entre les mains de personnes non initiées.
- **Entretenez les outils soigneusement.** Les outils bien entretenus sont moins susceptibles de provoquer des accidents.
- **Examinez le système pour signes de mauvais alignement ou de grippage des mécanismes ou autres conditions qui pourraient entraver son fonctionnement. Le cas échéant, il sera nécessaire de le faire réparer avant de vous en servir.** De nombreux accidents sont le résultat d'un manque d'entretien.
- **N'utilisez que les accessoires spécialement recommandés par le fabricant pour votre machine.** Des accessoires prévus pour un certain type de machine peuvent être dangereux lorsqu'ils sont montés sur une autre.
- **Gardez les poignées de la machine propres, sèches et dépourvues d'huile ou de graisse.** Cela vous permettra de mieux la contrôler.

Service après-vente

- **Toutes réparations de la machine doivent être confiées à un réparateur qualifié.** La réparation ou l'entretien de la machine par du personnel non qualifié pourrait provoquer des accidents.
- **Lors de la réparation de la machine, utilisez exclusivement des pièces de rechange identiques à celles d'origine. Suivez les instructions de la section "Entretien" du mode d'emploi.** L'utilisation de pièces de rechange non homologuées et le non-respect des consignes d'entretien peut créer un risque de choc électrique ou de blessure corporelle.

Consignes de sécurité particulières

▲ MISE EN GARDE !

Lisez soigneusement ce manuel avant d'utiliser le dégorgeoir à tringles K-1000. Le non-respect des consignes qu'il contient pourrait s'accompagner d'incendie et/ou de grave blessures corporelles.

Veuillez adresser toutes questions éventuelles aux services techniques de la Ridge Tool Company en composant le (800) 519-3456.

Sécurité de la machine

- **Portez les gants en cuir fournis avec la machine. Ne jamais tenir une tringle tournante avec un chiffon ou un gant en tissu mal ajusté.** Ceux-ci risqueraient de s'entortiller autour de la tringle et provoquer de graves blessures.
 - **Portez des lunettes de sécurité et des chaussures antidérapantes à semelle en caoutchouc.** L'utilisation de ce type d'équipement de protection peut éviter de graves blessures.
 - **N'utilisez pas la machine sans ses carters de protection.** Vos doigts risqueraient d'être écrasés entre la chaîne et son pignon.
 - **Ne faites pas tourner la machine en marche arrière (REV).** L'utilisation de la marche arrière risque d'endommager les tringles et ne doit servir que pour dégager les outils des obstacles éventuels.
 - **Mettez le levier de vitesses au point mort avant de démarrer la machine. Le levier de vitesses doit également se trouver au point mort (à la verticale) lors du montage/démontage des outils et des tringles, ainsi qu'à tout moment où la machine n'est pas en cours d'utilisation.** Cela empêchera la rotation inattendue des tringles.
 - **Débranchez la bougie avant tout entretien de la machine ou de son moteur.** Cela empêchera son démarrage accidentel et les risques de blessure grave.
 - **Utilisez le dégorgeoir à tringles de manière appropriée. Ne laissez pas plus de 20 pieds de tringles entre la machine et le trou d'homme. L'arc formé par les tringles au niveau du trou d'homme ne doit pas dépasser 3 pieds.** Cela limitera les risques de bouclage de tringle et de blessure grave.
 - **Lorsque l'outil rencontre un obstacle suffisamment résistant pour le bloquer, ne tentez pas de forcer la machine en poussant sur les tringles exposées. Ne désaccouplez pas les tringles tendues.**
- Cela provoquerait le bouclage et le fouettement des tringles, ce qui pourrait provoquer de graves blessures.
- **Ne surchargez pas les tringles. N'utilisez pas de tringles excessivement usées ou tordues. Assurez-vous que le limiteur de couple est correctement réglé à un maximum de 50 ft.-lbs.** En raison des risques de bouclage et de pliage, toute surcharge des tringles à l'encontre d'un obstacle peut s'avérer dangereuse.
 - **Manipulez l'essence avec précaution. Faites le plein dans un endroit bien ventilé. Faites attention de ne pas trop remplir le réservoir et de ne pas déverser d'essence. Assurez-vous que le bouchon du réservoir est correctement fermé.** L'essence est extrêmement inflammable, et peut même s'avérer explosive sous certaines conditions.
 - **Ne laissez jamais tourner le moteur dans un endroit clos ou mal ventilé.** L'oxyde de carbone contenu dans les gaz d'échappement est toxique et peut non seulement provoquer une perte de connaissance, mais aussi la mort. Les gaz d'échappement contiennent également des composants chimiques que l'état de la Californie considère potentiellement cancérigènes ou dangereux pour le système reproductif.
 - **Faites attention de ne pas toucher le silencieux lorsqu'il est encore brûlant. Evitez les risques de brûlure grave en laissant refroidir le moteur avant de transporter la machine ou la stocker à l'intérieur.** Le silencieux devient brûlant en cours de marche, et il reste brûlant pendant un certain temps après l'arrêt du moteur.
 - **N'utilisez le K-1000 que pour le dégorgement des canalisations rectilignes de 8 à 24 po de diamètre. Respectez le mode d'emploi de la machine.** Toute autre utilisation ou modification du dégorgeoir à tringles en vue d'autres applications pourrait augmenter les risques d'accident.
 - **Ne pas utiliser l'appareil si le fait de lâcher l'accélérateur n'arrête pas la rotation des tringles.** Tout outil qui ne peut pas être contrôlé est dangereux et doit être réparé.

Description, spécifications et équipements de base

Description

Le dégorgeoir à tringles K-1000 de RIDGID est une machine à moteur thermique prévue pour le curage des égouts, des tuyaux de drainage, des conduites principales d'eau et des tuyauteries industrielles rectilignes. Il

est capable de traiter des conduites allant de 8 à 24 po de diamètre sur une distance de 500 pieds. La machine utilise des tringles rigides équipées de raccords rapides permettant non seulement leur raccordement entre elles, mais aussi le montage des outils de curage.

Spécifications

Capacitécanalisations d'évacuation de 8 à 24 po de diamètre

Transmission 2-vitesses :
 Marche avant133 t/min.
 Marche arrière.....133 t/min.

Accélérateurà vitesse variable, avec retour au ralenti lorsque l'utilisateur lâche la poignée.

Moteur4-temps à essence de 6 CV, avec arbre vertical

EmbrayageEmbrayage centrifuge qui débraye dès que l'utilisateur lâche l'accélérateur

Longueur32 po

Largeur26 po

Hauteur (avec poignée).....40 po

Poids (machine seule).....160 livres

Equipements de Base

Réf. Catalogue	Modèle	Désignation
59175	K-1000	Dégorgeoir à tringles comprenant : - Porte-tringle B-3542 - Porte-outil A-2704 - Broche d'entraînement A-3567 - Tourneur de tringle R-O - Adaptateur de couple A-4558 - Broche à raccords A-12 - Mitaine d'utilisateur M/G A-1 - Mitaine d'utilisateur M/D A-2
84295	K-1000	Dégorgeoir à tringles d° avec en plus : - 20 longueurs de tringle A-2475 Ø 5/16 po (100 pieds au total), - Tête de lance T-300 - Tarière T-317 - Outil de récupération T-326

Tringles

Réf. Catalogue	Modèle	Désignation
60355	A-2474	Section de tringle rigide de 3 pieds avec raccord mâle R-1 et raccord femelle R-2
60360	A-2475	Section de tringle rigide de 5 pieds avec raccord mâle R-1 et raccord femelle R-2
60365	A-2476	Section de tringle rigide de 10 pieds avec raccord mâle R-1 et raccord femelle R-2

Outils et lames de rechange

Réf. Catalogue	Modèle	Désignation
62045	T-300	Tête de lance
62050	T-301	Tire-bouchon à tige ronde Ø 1,5 po
62055	T-302	Tire-bouchon à tige ronde Ø 2 po
62060	T-303	Tire-bouchon à tige ronde Ø 2, 5 po
62065	T-304	Tire-bouchon à tige ronde Ø 3 po
62070	T-305	Tire-bouchon à tige ronde Ø 3,5 po
62075	T-306	Tire-bouchon double Ø 3 po
62080	T-307	Tire-bouchon double Ø 4 po
62085	T-308	Tire-bouchon double Ø 5 po
62090	T-309	Tire-bouchon à tige carrée Ø 3 po
62095	T-310	Tire-bouchon à tige carrée Ø 4 po
62100	T-311	Tire-bouchon à tige carrée Ø 5 po
62105	T-312	Tire-bouchon à tige carrée Ø 6 po
62370	T-313	Tire-bouchon à tige carrée Ø 8 po
62375	T-314	Tire-bouchon à tige carrée Ø 10 po
62380	T-315	Tire-bouchon à tige carrée Ø 12 po
62110	T-316	Tarière Ø 3 po
62115	T-317	Tarière Ø 4 po
62120	T-318	Tarière Ø 5 po
62125	T-319	Tarière Ø 6 po
62385	T-320	Tarière Ø 8 po
62390	T-321	Tarière Ø 10 po
62140	T-326	Outil de récupération

Les outils pour câble industriels suivants sont également recommandés pour les tringles.

Réf. Catalogue	Modèle	Désignation	Lame(s) de rechange
61800	T-2	Tarière droite industrielle	—
61790	T-4	Tarière conique industrielle	—
63200	T-7	Tarière à crochet	—
61960	T-16	Couteau hélicoïdal Ø 4 po	97855
61850	T-17	Couteau hélicoïdal Ø 6 po	97955
61855	T-18	Couteau hélicoïdal Ø 8 po	97960
63085	T-23	Couteau hélicoïdal à dents de scie Ø 4 po	97850
59765	T-24	Couteau 4-lames Ø 2,5 po	97940
59770	T-25	Couteau 4-lames Ø 3,5 po	97975
59775	T-26	Couteau 4-lames Ø 4, 5 po	97805
59780	T-26A	Couteau 4-lames Ø 5, 5 po	97980

Assemblage de la machine

▲ MISE EN GARDE !

Votre sécurité dépend de l'assemblage approprié du dégorgeoir à tringles K-1000. Respectez le procédé suivant :

Installation de la poignée et du câble d'accélérateur

1. Introduisez les embouts de la poignée dans les manchons correspondants de l'embase et fixez-la à l'aide des deux boulons de 3/8 po fournis (Figure 1).
2. Attachez l'extrémité libre du câble d'accélérateur au levier d'accélérateur, puis arrimez-le au montant gauche de la poignée à l'aide des deux brides à câble prévues.



Figure 1

Moteur

1. Le moteur est livré sans huile. Remplissez-le d'huile avant de le démarrer (Se reporter au manuel du moteur ci-joint).

AVERTISSEMENT Le manque d'huile provoquera la défaillance du moteur.

Montage des tringles et des outils

1. Pour monter les tringles, alignez et emboîtez les raccords à fond (Figure 2).

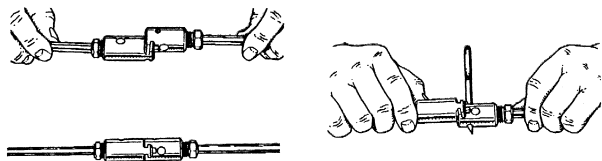
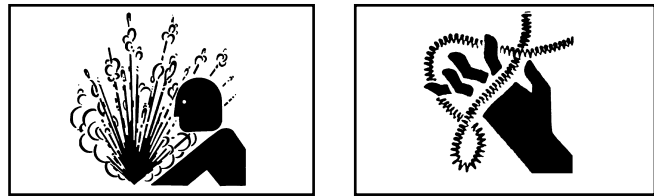


Figure 2 – Accouplement et désaccouplement des tringles

2. Pour les démonter, introduisez la broche à raccords et séparez les raccords.

Inspection de la machine

▲ MISE EN GARDE !



Inspectez le dégorgeoir à tringles régulièrement afin d'éviter les accidents. Le processus d'inspection quotidienne suivant est d'application :

1. Vérifiez le niveau d'huile du moteur. En cas de manque, faites l'appoint (Se reporter au manuel du moteur ci-joint).
2. Vérifiez le niveau de carburant. En cas de manque, faites l'appoint avec de l'essence sans plomb d'un indice d'octane minimal de 86 (Se reporter au manuel du moteur ci-joint).

▲ MISE EN GARDE Manipulez l'essence avec précaution. Faites le plein dans un endroit bien ventilé. Faites attention de ne pas trop remplir le réservoir et de ne pas déverser d'essence. Assurez-vous que le bouchon du réservoir est correctement fermé.

3. Examinez le dégorgeoir à tringles pour signes de pièces brisées, manquantes, mal alignées ou grippées, ainsi que pour toute condition qui pourrait nuire au bon fonctionnement et à la sécurité de la machine. Le cas échéant, n'utilisez pas le dégorgeoir à tringles avant que le problème ait été résolu.
4. Si nécessaire, lubrifiez le dégorgeoir à tringles selon les consignes de la section Entretien.
5. Utilisez les outils et accessoires qui sont prévus pour ce type de dégorgeoir à tringles et qui répondent aux besoins de votre application. Les outils et accessoires appropriés vous permettront de faire le travail correctement et en toute sécurité. Toute tentative d'adaptation d'accessoires prévus pour d'autres types de matériel peut s'avérer dangereuse.
6. Éliminez toutes traces d'huile, de graisse et de crasse des poignées et des commandes du matériel. Cela limitera le risque de blessure si un outil ou une commande s'échappe de vos mains.
7. Examinez le tranchant des outils utilisés. Le cas échéant, faites-les aiguiser ou remplacer avant de les utiliser sur le dégorgeoir à tringles. Les outils de coupe émoussés ou endommagés peuvent provoquer leur blocage et le bouclage des tringles.
8. Examinez les tringles et leurs raccords pour signes

d'usure ou de détérioration. Les tringles doivent être remplacées dès qu'elles deviennent excessivement usées, corrodées ou tordues.

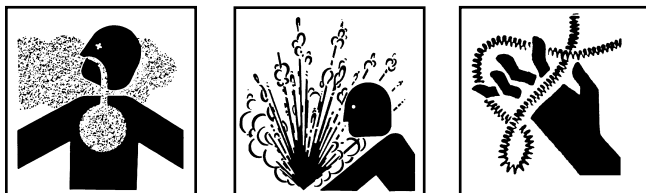
▲ MISE EN GARDE Les tringles usées ou endommagées risquent de se rompre et de provoquer de graves blessures.

9. Le limiteur de couple doit être examiné au moins mensuellement, selon l'intensité d'utilisation de la machine. Le limiteur de couple sert à limiter le bouclage des tringles en cas du couple excessif que peut occasionner un massif à l'intérieur de la canalisation. Le limiteur de couple doit être réglé à un maximum de 50 ft.-lbs. (ou 600 in.-lbs.). Se reporter au chapitre Réglages de la section Entretien.

▲ MISE EN GARDE Un limiteur de couple mal ajusté risque de provoquer le bouclage des tringles et de graves blessures.

Préparation de la machine et du chantier

▲ MISE EN GARDE !



Une bonne préparation de la machine et du chantier permettra d'éviter les accidents. Respectez le procédé de préparation de machine suivant :

- Examinez le chantier pour :
 - La présence d'un éclairage suffisant ;
 - L'absence de liquides, de vapeurs et de poussières inflammables ;
 - Une ventilation suffisante pour évacuer les gaz d'échappement du moteur.

▲ MISE EN GARDE Les gaz d'échappement, constitué principalement d'oxyde de carbone, est toxique. Toute exposition à ce gaz risque de provoquer une perte de connaissance, voire même la mort.

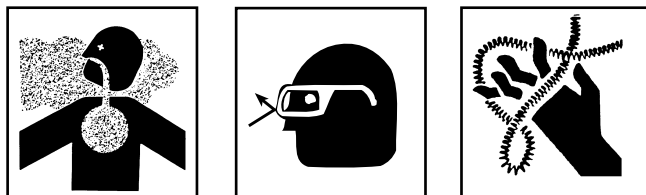
- Positionnez la machine à 20 pieds du trou d'hommes. Un éloignement supérieur risque de provoquer le bouclage et le fouettement des tringles.
- Le levier de vitesses doit se trouver au point mort (à la verticale).
- Sélectionnez et montez l'outil de coupe approprié en bout de tringle. Pour le monter, emboîtez les raccords mâle et femelle ensemble. Pour l'enlever,

introduisez la broche à raccords, puis séparez-les (*Figure 2*).

- Accouplez un nombre suffisant de tringles pour atteindre la canalisation, mais sans laisser plus de 20 pieds de tringle déborder du trou d'homme.

Mode d'emploi

▲ MISE EN GARDE !



Les tringles risquent de fouetter ou boucler. Vos doigts, vos mains ou d'autres parties du corps risquent d'être écrasés ou brisés. Vous risquez d'être asphyxié par l'oxyde de carbone si vous utilisez la machine dans un endroit clos.

Portez les gants fournis avec la machine. Ne jamais tenter de prendre en main une tringle tournante avec un chiffon ou des gants en tissu mal ajustés qui risqueraient de s'entortiller autour de la tringle et provoquer de graves blessures.

Portez systématiquement des lunettes de sécurité afin de protéger vos yeux contre les débris éventuels. Portez des chaussures antidérapantes avec semelles en caoutchouc.

▲ MISE EN GARDE Respectez le mode d'emploi à la lettre afin de maintenir le contrôle de la machine et de ses tringles, et éviter ainsi de graves blessures (*Figure 3*).

- Les travaux via trou d'hommes nécessitent deux personnes ; un opérateur de machine et un manipulateur de tringle au niveau du trou d'homme.
- Ne laissez jamais plus de 20 pieds de tringle entre la machine et le trou d'homme.
- L'arc formé au niveau du trou d'homme doit être limité à 3 pieds.
- En cas de bouclage des tringles, faites dégager ceux présents vers l'arrière de la machine avant de changer de vitesses. Les tringles risquent de fouetter violemment et provoquer de graves blessures.
- Si l'outil d'accroche dans un obstacle, ne forcez pas la machine en essayant de pousser manuellement les tringles exposées.

Utilisation du dégorgeoir à tringles

- Le levier de vitesses doit se trouver au point mort (à la verticale).

2. Mettez le levier de l'étrangleur en position CHOKE, puis tirez sur la corde de lancement à plusieurs reprises.
3. Dès que le moteur démarre, mettez le levier en position RUN, puis amenez l'accélérateur jusqu'au régime voulu.

NOTA ! Ramenez le levier de l'accélérateur pour atteindre plein régime, puis lâchez-le pour que le moteur revienne au ralenti.

▲ MISE EN GARDE L'arbre d'entraînement ne doit pas tourner lorsque le moteur est au ralenti. S'il tourne, assurez-vous que le ressort de commande de l'accélérateur est bien en place ou réglez le régime de ralenti au niveau du carburateur. (Se reporter au manuel du moteur).

4. Positionnez les tringles face au trou d'homme.
5. En tenant les deux bouts d'un morceau de corde, baissez la tarière ou l'outil de sondage dans le trou d'homme, tout en guidant l'outil en direction de l'ouverture latérale.
6. Servez-vous d'un tourneur de tringle manuel pour engager la tringle dans l'ouverture latérale.
7. Lâchez une extrémité de la corde et retirez-la du trou d'homme.
8. Connectez la tringle au porte-tringle de la machine (Figure 1).

▲ MISE EN GARDE Assurez-vous que le manipulateur de tringle porte les mitaines en cuir avec paumes à rivets qui font partie des équipements de base. Aucune substitution n'est admissible.

9. Mettez le levier de vitesses en marche avant (FWD).
10. Appuyez sur le levier de l'accélérateur jusqu'à atteindre le régime voulu, puis poussez la machine vers l'avant.
11. Lorsque la machine avance, le manipulateur de tringle doit appuyer sur la tringle en la guidant entre son pouce et sa paume, les doigts étendus. (Figure 3).

▲ MISE EN GARDE !

L'arc de la tringle ne doit pas dépasser 3 pieds.

12. Lorsque la machine se trouve à environ 8 pieds du trou d'homme, lâchez l'accélérateur et mettez la transmission au point mort (à la verticale).
13. Déconnectez la tringle du porte-tringle, ramenez la machine en arrière sur une distance d'environ 10 pieds, puis ajoutez des tringles supplémentaires.

▲ MISE EN GARDE Ne déconnectez pas la tringle si elle est sous tension.

14. Continuez à faire avancer la tringle en répétant les étapes 9 à 13 jusqu'à ce que vous ayez franchi l'obstacle.

▲ MISE EN GARDE Si l'outil s'accroche à l'encontre d'un obstacle, ne tentez pas de forcer la machine en poussant sur les tringles exposées. Cela provoquerait le bouclage et le fouettement des tringles.

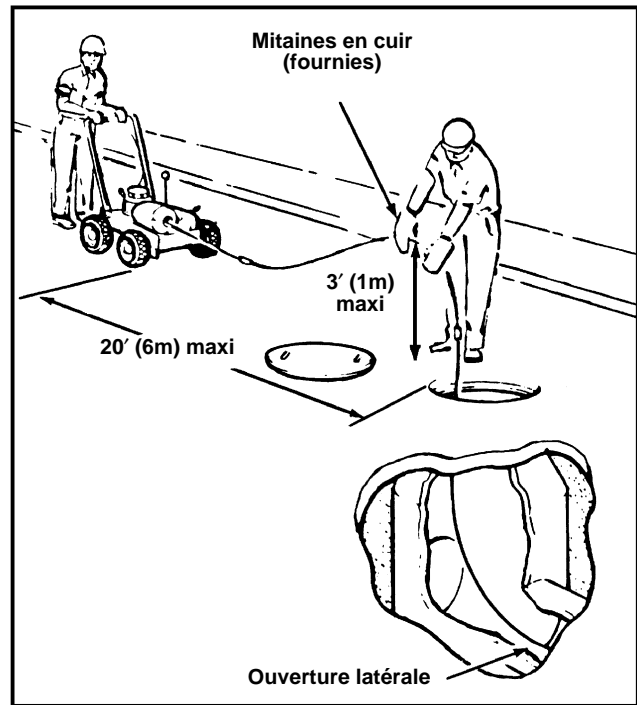


Figure 3 – Utilisation du dégorgeoir à tringles

15. Si l'outil s'accroche à l'encontre d'un obstacle, lâchez l'accélérateur. Mettez la machine en marche arrière, appuyez sur l'accélérateur, puis reculez la machine afin de libérer l'outil.

▲ MISE EN GARDE N'utilisez la marche arrière que pour extraire l'outil d'un obstacle.

▲ MISE EN GARDE !

Si les tringles se mettent à boucler, faites reculer tout personnel derrière la machine avant de changer de vitesse. Le fouettement violent des tringles pourrait provoquer de graves blessures.

16. Si les tringles se mettent à boucler, lâchez l'accélérateur pour ramener le moteur au ralenti. Assurez-vous que tout personnel se trouve derrière la machine. Reculez la machine pour éliminer le jeu des tringles. Mettez la machine au point mort pour vous assurer que la tension des tringles est éliminée.

17. Procédez à travers l'obstacle avec la machine en marche avant (FWD).

18. Une fois l'obstacle éliminé, continuez le long de la canalisation pour vous assurer qu'elle est dégagée.
19. En fin d'opération, laissez la machine tourner en marche avant (FWD), puis reculez-la.
20. Lorsqu'une longueur d'environ 20 pieds (6m) de tringle est sortie du trou d'homme, ramenez le levier de vitesses à la verticale pour mettre la machine au point mort.
21. Déconnectez d'abord la tringle du porte-tringle, puis les tringles entre elles, en introduisant la broche dans les raccords avant de les déboîter (*Figure 2*).

▲ MISE EN GARDE Ne déconnectez pas les tringles sous contrainte.

22. Ramenez la machine jusqu'au trou d'homme, puis connectez la prochaine tringle au porte-tringle. Mettez la machine en marche avant (FWD) et répétez les étapes 19 à 21 jusqu'à ce que toutes les tringles soient retirées de la canalisation.
23. Mettez le levier de l'étrangleur à la position STOP pour arrêter le moteur.

Accessoires

▲ MISE EN GARDE Seuls les produits RIDGID suivants ont été conçus pour fonctionner avec le dégorgeoir à tringles K-1000. Les accessoires prévus pour d'autres types de machine peuvent être dangereux s'ils sont utilisés avec le K-1000. Afin d'éviter les accidents graves, n'utilisez que les accessoires indiqués ci-dessous.

Réf. catalogue	Modèle	Description
59835	K-10	Ensemble de raccords rapides pour tringle (R-1 et R-2)
59560	R-1	Raccord de tringle mâle
59555	R-2	Raccord de tringle femelle
61875	R-7	Raccord d'outil mâle pour connecter le porte-outil à l'outil de curage
61885	R-8	Raccord d'outil femelle pour connecter l'outil au porte-outil
60700	A-2704	Porte-outil comprenant raccords R-2 et R-7
62170	B-3542	Porte-tringle pour K-1000
61895	—	Système d'entraînement des tringles pour K-2000
62815	R-O	Tourne-tringles servant à tourner les tringles manuellement sur de courtes distances
59205	A-1	Mitaine main gauche
59295	A-2	Mitaine main droite
59360	A-3	Boîte à outils
59225	A-12	Broche à raccords

Entretien

▲ MISE EN GARDE !

Débranchez la bougie du moteur du dégorgeoir à tringles avant toute intervention.

Limiteur de couple

(*Figures 4 et 5*)

Le limiteur de couple sert à limiter le bouclage des tringles et le couple transmis via le système de transmission. Le bouclage des tringles est provoqué par des obstacles massifs à l'intérieur des canalisations, et le limiteur doit être réglé à un maximum de 50 ft.-lbs. (ou 600 in.-lbs.).

Le limiteur de couple est composé de deux disques en fibre, montés de par et d'autre du pignon secondaire A-3569. Appuyé de par et d'autre du pignon, le limiteur de couple constitue la seule connexion entre l'arbre d'entraînement B-3548 et le pignon secondaire A-3569.

Réglage du limiteur de couple à l'aide d'une clé dynamométrique

(*Figures 4 et 5*)

1. Débranchez le fil de la bougie.
 2. Enlevez les trois vis et le carter afin d'exposer le limiteur de couple.
 3. Dévissez les trois vis de blocage jusqu'à ce qu'elles dégagent la butée et qu'elles peuvent être tournées à la main.
 4. Dévissez l'anneau fileté du limiteur de couple jusqu'à ce qu'il tourne librement. Resserrez manuellement l'anneau fileté du limiteur de couple contre la butée.
 5. Resserrez manuellement les trois vis de blocage jusqu'à ce qu'elles touchent la butée.
- NOTA !** Cela assure que les trois vis viennent s'appuyer uniformément contre la butée en début de réglage du couple de serrage.
6. Introduisez une clé Allen de $\frac{3}{16}$ po ou une broche à travers les deux côtés de la chaîne au niveau du pignon d'entraînement afin d'immobiliser la chaîne.
 7. Introduisez la rallonge de vérification de couple dans l'arbre B-3548 et verrouillez-la en introduisant la broche d'entraînement.
 8. Montez une douille de 1 pouce sur la clé dynamométrique, puis engagez la clé sur la rallonge de vérification de couple. Notez le couple de serrage à partir duquel le limiteur de couple commence à patiner.
 9. Si la lecture obtenue est inférieure à 50 ft.-lbs., serrez les trois vis de blocage uniformément, puis vérifiez le couple à nouveau. Si la lecture de couple est su-

périeure à 50 ft.-lbs., desserrez les trois vis de blocage uniformément, puis vérifiez le couple à nouveau.

NOTA ! Lors du réglage initial, tournez les vis de blocage $\frac{1}{4}$ de tour. Tournez-les au maximum $\frac{1}{8}$ de tour à la fois pour le réglage final qui devrait produire une lecture de 50 ft.-lbs.

10. Retirez la clé Allen ou la broche servant à immobiliser la chaîne.

11. Retirez la clé dynamométrique, la broche d'entraînement et la rallonge de vérification de couple.

12. Remontez le carter et ses trois vis. Une des vis, plus longue que les autres, s'introduit dans la partie inférieure droite du carter.

13. Rebranchez la bougie.

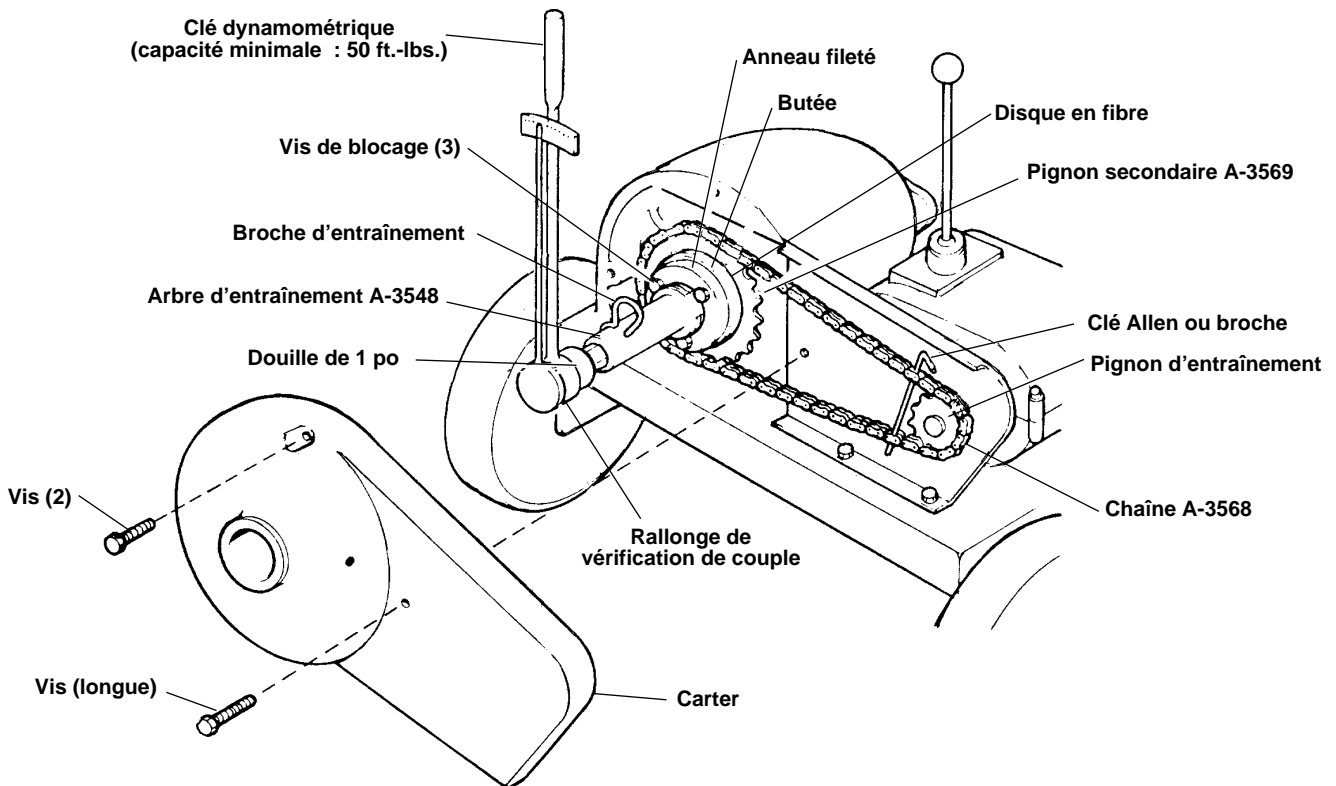


Figure 4 – Réglage du limiteur de couple

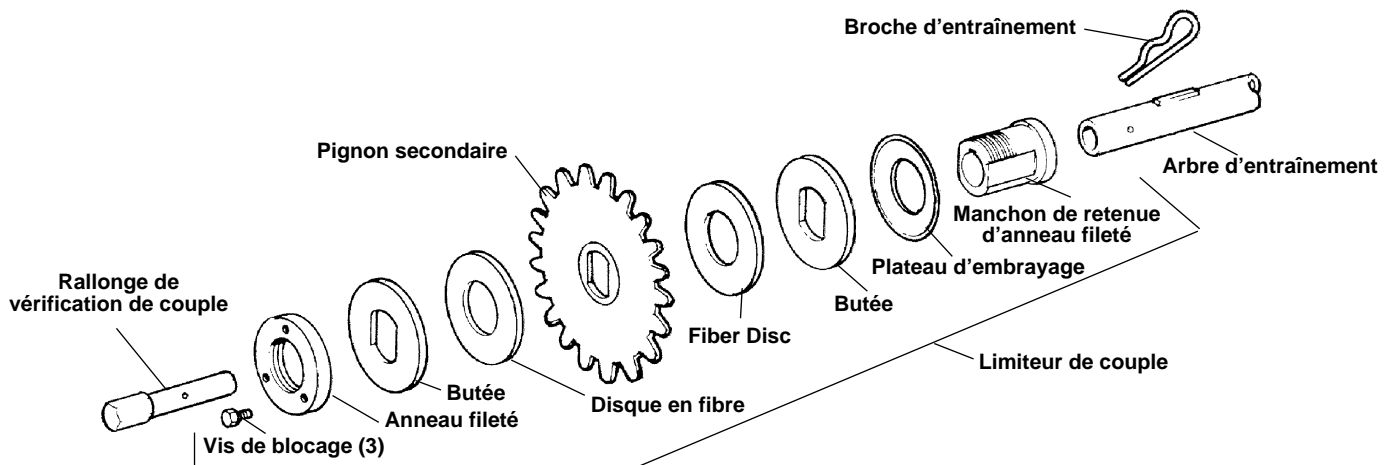


Figure 5 – Limiteur de couple, rallonge de vérification de couple, pignon secondaire et arbre d'entraînement

Réglage du limiteur de couple à l'aide d'une balance à ressort

1. Suivez les étapes 1 à 7 de la section visant le réglage du limiteur de couple à l'aide d'une clé dynamométrique.
2. Positionnez une clé à cliquet équipée d'une douille de 1 po sur la rallonge de vérification de couple.
3. Attachez la balance à ressort à 12 pouces de l'axe de la clé à cliquet.
4. Tirez sur la balance à ressort jusqu'à ce que le limiteur de couple commence à glisser. La balance devrait alors lire 50 livres.
5. Répétez l'étape 9 ci-dessus jusqu'à ce que vous obteniez une lecture de 50 livres.

Moteur

Vérifiez systématiquement le niveau d'huile du moteur. Reportez-vous au manuel du moteur ci-joint pour les modalités applicables à l'entretien du moteur.

Transmission

La transmission n'a pas besoin de lubrification périodique. Cependant, une fuite au niveau d'un joint pourrait permettre à la graisse d'être entièrement perdue au bout de quelques heures. Une telle fuite sera apparente et devra être rectifiée.

Embrayage centrifuge

L'embrayage centrifuge s'engage automatiquement avec l'accélération du moteur. Celui-ci ne nécessite aucun entretien périodique. Cependant, s'il se met à patiner en raison d'une accumulation de débris ou de graisse, il sera nécessaire de le nettoyer.

Roues

Les quatre roues doivent être graissées une fois par an. Le graisseur se trouve sur la face intérieure du moyeu.

Vérification du ralenti (t/min.) du moteur

Une fois le moteur démarré, serrez le levier de l'accélérateur pour amener son régime au maximum, puis lâchez immédiatement le levier pour le ramener au ralenti.

▲ MISE EN GARDE L'arbre de transmission ne doit pas tourner lorsque le moteur est au ralenti. Si, effectivement, il tourne, vérifiez que le ressort de contrôle de l'accélérateur est connecté ou réglez le ralenti en desserrant l'écrou de blocage du câble d'accélérateur afin de modifier sa longueur (*Figure 1*).

Réglage de l'accélérateur

L'accélérateur est réglé en usine et ne devrait pas nécessiter de réglages ultérieurs. Si le régime au ralenti semble trop élevé ou que le moteur n'accélère pas lorsqu'on serre le levier, vérifiez la tringlerie du système.

1. Vérifiez le régime en réglant la position du câble ; desserrez la vis de blocage au niveau du support, puis déplacez-le légèrement.
2. Consulter le manuel du moteur pour les réglages de ralenti et de mélange.

Réglage de la tension de la courroie d'entraînement

La courroie d'entraînement doit être examinée au moins une fois par mois. La tension de cette courroie doit être à peine suffisante pour entraîner une charge maximale à haut régime lorsque l'accélérateur est à fond. Un excès de tension fera patiner l'embrayage à centrifuge lorsque le moteur est au ralenti. Pour tendre la courroie d'entraînement, desserrez les boulons de fixation du moteur et poussez le moteur vers l'arrière.

Paliers du vilebrequin

Les paliers du vilebrequin doivent être lubrifiés au bout de 12 interventions, ou bien une fois tous les trois mois, le premier des cas prévalant. Le carter doit être retiré pour accéder au palier avant. La chaîne devrait aussi être examinée et lubrifiée à cette occasion.

▲ MISE EN GARDE Ne pas utiliser la machine sans son carter.

Stockage des tringles

Les tringles doivent être rincées soigneusement à grande eau afin d'en éliminer toutes traces de produits de nettoyage corrosifs éventuelles. Lubrifiez les tringles et les coupleurs rapides régulièrement avec de l'huile. Lors du stockage, désaccouplez les tringles. N'enroulez pas les tringles assemblées lors du stockage, car cela risque de les tordre ou de les endommager.

Stockage de la machine

▲ MISE EN GARDE Tout matériel motorisé doit être stocké à l'intérieur ou suffisamment bien couvert pour le protéger contre les intempéries. Rangez la machine dans un local verrouillé et hors de la portée des enfants et autres novices. Cette machine peut s'avérer dangereuse entre les mains d'un novice.

Entretien et réparations

▲ MISE EN GARDE !

Les consignes d'entretien précédentes couvrent la majorité des besoins d'entretien de la machine. Toutes interventions non traitées dans cette section doivent être confiées à un réparateur RIDGID agréé.

La machine doit être confiée à un réparateur RIDGID autorisé ou renvoyé à l'usine. Toutes réparations effectuées par les services techniques Ridge sont garanties contre les vices de matériaux et de main d'oeuvre.

▲ MISE EN GARDE N'utilisez que des pièces de rechange identiques aux pièces d'origine lors de l'entretien de cette machine. Le non-respect de cette consigne augmenterait les risques d'accident.

Veillez adresser toutes questions éventuelles concernant l'entretien ou la réparation de cette machine à :

Ridge Tool Company
Technical Service Department
400 Clark Street
Elyria, Ohio 44035-6001
Tel: (800) 519-3456
E-mail: TechServices@ridgid.com

Pour obtenir les coordonnées du centre de service agréé le plus proche, veuillez contacter la Ridge Tool Company au (800) 519-3456 ou via le site <http://www.ridgid.com>

? This item seems to relate more specifically to electrical equipment, which this machine is not. Please advise.



Limpiadora a varillas K-1000



Limpiadora a varillas K-1000	
A continuación apunte y retenga el número de serie de la máquina que se encuentra en su placa de características.	
No. de serie	

Índice

Ficha para apuntar el Modelo y Número de Serie de la máquina23

Información general de seguridad

 Seguridad en la zona de trabajo25

 Seguridad personal25

 Uso y cuidado de la máquina25

 Servicio.....25

Información específica de seguridad

 Seguridad de la máquina26

Descripción, especificaciones y equipo estándar

 Descripción.....26

 Especificaciones.....26

 Equipo estándar27

 Varillas y herramientas de corte.....27

Montaje de la máquina

 Instrucciones para instalar el mango y el cable del acelerador de mano.....27

 Instrucciones para el motor28

 Instrucciones para acoplar varillas y herramientas de corte28

Inspección de la máquina.....28

Preparación de la máquina y de la zona de trabajo29

Instrucciones de funcionamiento

 Funcionamiento de la Limpiadora a varillas30

Accesorios31

Instrucciones de mantenimiento

 Regulación del Limitador de Torsión31

 Regulación del Limitador de Torsión usando la llave de torsión31

 Regulación del Limitador de Torsión usando el medidor de resorte33

 Motor33

 Transmisión33

 Embrague centrífugo33

 Ruedas33

 Verificación de la velocidad del motor al ralentí33

 Ajuste del acelerador.....33

 Regulación de la tensión de la correa en “V”34

 Rodamientos principales34

 Almacenaje de las varillas34

Almacenaje de las máquina.....33

Servicio y reparaciones34

Garantía vitaliciacarátula posterior

Información general de seguridad

¡ADVERTENCIA! Lea y comprenda todas las instrucciones. Pueden ocurrir golpes eléctricos, incendios y/u otras lesiones personales graves si no se siguen todas las instrucciones detalladas a continuación.

¡GUARDE ESTAS INSTRUCCIONES!

Seguridad en la zona de trabajo

- **Mantenga su área de trabajo limpia y bien iluminada.** Los bancos de trabajo desordenados y las zonas oscuras provocan accidentes.
- **No haga funcionar máquinas motorizadas en atmósferas explosivas, como por ejemplo en la presencia de líquidos, gases o polvos inflamables.** Las máquinas autopropulsadas generan chispas que pueden encender el polvo o los gases.
- **Al hacer funcionar una máquina, mantenga apartados a los espectadores, niños y visitantes.** Las distracciones pueden causar que pierda el control de la máquina.
- **Durante su funcionamiento, mantenga el motor alejado por lo menos un metro (3 pies) de edificaciones y otros equipos. No ponga objetos inflamables cerca del motor.** Deben seguirse las instrucciones para evitar los peligros de incendio y para mantener una ventilación adecuada.

Seguridad personal

- **Manténgase alerta, preste atención a lo que está haciendo y use sentido común cuando trabaje con una máquina a motor. No la use si está cansado o se encuentra bajo la influencia de drogas, alcohol o medicamentos.** Sólo un breve descuido mientras hace funcionar una máquina a motor puede resultar en lesiones personales graves.
- **Vístase adecuadamente. No lleve ropa suelta ni joyas. Contenga el cabello largo. Mantenga cabello, ropa y guantes apartados de las piezas en movimiento.** La ropa suelta, las joyas o el pelo largo pueden engancharse en las piezas móviles.
- **Antes de poner en marcha la máquina, extraiga las llaves de ajuste o regulación.** Una llave mecánica o una llave que se ha dejado acoplada a una pieza giratoria de la máquina puede resultar en lesiones personales.
- **No trate de extender su cuerpo para alcanzar algo. Mantenga sus pies firmes en tierra y un buen equilibrio en todo momento.** Al mantener el equilibrio y los

pies firmes, tendrá mejor control sobre la máquina en situaciones inesperadas.

- **Use equipo de seguridad. Siempre lleve protección para la vista.** Cuando las condiciones lo requieran, debe usar mascarilla para el polvo, calzado de seguridad antideslizante, casco duro o protección para los oídos.

Uso y cuidado de la máquina

- **No fuerce la máquina. Use la máquina correcta para su aplicación.** La máquina correcta hará el trabajo mejor y de manera más segura a la velocidad para la cual fue diseñada.
- **Almacene las máquinas que no estén en uso fuera del alcance de los niños y de otras personas sin entrenamiento.** Las máquinas son peligrosas en las manos de usuarios no capacitados.
- **Las herramientas deben ser mantenidas cuidadosamente. Mantenga las herramientas de corte afiladas y limpias.** Las herramientas con filos de corte bien afilados tienden a atascarse menos y son más fáciles de controlar.
- **Verifique si las piezas móviles están desalineadas o agarrotadas, si hay piezas quebradas y si existe cualquiera otra condición que pueda afectar el funcionamiento de la máquina. En caso de estar dañada, antes de usar la máquina, hágala componer.** Numerosos accidentes son causados por máquinas que no han recibido un mantenimiento adecuado.
- **Solamente use accesorios recomendados por el fabricante para su modelo.** Los accesorios que pueden ser adecuados para una máquina pueden ser peligrosos al usárselos en otra máquina.
- **Mantenga los mangos limpios y secos, libres de aceite y grasa.** Esto permite ejercer mejor control sobre la máquina.

Servicio

- **El servicio a la máquina sólo debe ser efectuado por personal de reparación calificado.** El servicio o mantenimiento practicado por personal de reparaciones no calificado puede resultar en lesiones.
- **Cuando repare una máquina use únicamente repuestos o piezas de recambio idénticas. Siga las instrucciones en la sección de Mantenimiento de este manual.** El uso de piezas no autorizadas o el no seguir las instrucciones para el mantenimiento, pueden crear el riesgo de que se produzcan lesiones.

Información específica de seguridad

▲ ADVERTENCIA

Lea cuidadosamente este manual del operario antes de usar la Limpiadora a varillas K-1000 de RIDGID. Si no se comprenden y siguen las instrucciones de este manual, pueden ocurrir incendios y/o lesiones personales de gravedad.

Si tiene cualquier pregunta, llame al Departamento de Servicio Técnico de Ridge Tool Company al (800) 519-3456.

Seguridad de la máquina

- **Use los guantes de cuero que vienen con la máquina. Nunca trate de coger o agarrar una varilla que está girando con un trapo o un guante de tela que le queda suelto.** Pueden envolverse en la varilla y causar lesiones graves.
- **Use anteojos de seguridad y zapatos con suelas antideslizantes.** Así se evitan accidentes y lesiones de gravedad.
- **Nunca haga funcionar la máquina sin sus cubiertas de protección.** Los dedos pueden quedar atrapados entre la correa y la rueda dentada.
- **No haga funcionar la máquina en reversa (REV).** El funcionamiento de la máquina en reversa puede dañar las varillas y se efectúa sólo para sacar la herramienta de una obstrucción.
- **La palanca de cambio de engranajes debe estar en la posición NEUTRA cada vez que encienda el motor. La palanca de cambios también debe estar en la posición NEUTRA (recta hacia arriba) cuando acople o extraiga herramientas de corte y las varillas, y siempre que la máquina no esté en uso.** Así se evita la rotación inesperada de las varillas.
- **Desconecte la bujía cuando se le efectúe servicio a la Limpiadora o al motor.** Así se evita la puesta en marcha accidental de la máquina y que el operario se lesione.
- **Haga funcionar la Limpiadora como es debido. No la haga funcionar con más de 20 pies de varilla entre la máquina y el acceso al desagüe. El arqueo de la varilla en la boca de la alcantarilla no debe exceder los 3 pies.** Así se minimiza la posibilidad de que se doblen las varillas y se lesione el operario.
- **Cuando la herramienta de corte en la punta de la varilla se trabe en un atasco, no fuerce la máquina empujando manualmente las varillas que aún no han ingresado a la alcantarilla. No desacople varillas que se encuentran sometidas a este tipo de tensión.** Esto hará que las varillas se enrosquen o den latigazos, lo que puede lesionar al operario.
- **No someta a las varillas a un esfuerzo excesivo. No use varillas demasiado desgastadas o dobladas. Asegure que el limitador de la torsión esté regulado debidamente a un máximo de 50 pies-libras.** Las varillas sometidas a tensión al encontrarse enclavadas en una obstrucción resultan peligrosas. Pueden doblarse o enroscarse.
- **Tenga cuidado cuando emplee gasolina. Llene el depósito de gasolina en una zona bien ventilada. No sobrellene el depósito de combustible y no derrame combustible. Asegure que la tapa quede bien cerrada.** La gasolina es extremadamente inflamable y, bajo ciertas condiciones, es explosiva.
- **Nunca haga funcionar la máquina dentro de una zona cerrada o confinada.** El escape contiene monóxido de carbono, un gas venenoso. La inhalación de este gas puede causar la pérdida del conocimiento y conducir a la muerte. Los gases del tubo de escape también contienen sustancias químicas que el estado de California estima pueden causar cáncer y daños al sistema reproductor.
- **Tenga cuidado de no tocar el silenciador mientras está caliente. Para evitar quemaduras graves o incendios, permita que el motor se enfríe antes de transportar o almacenar la máquina.** Durante el funcionamiento, el silenciador se calienta considerablemente y permanece caliente durante un buen rato después de apagarse el motor.
- **Sólo emplee la K-1000 para limpiar desagües rectos de entre 8 y 24 pulgadas de diámetro. Siga las instrucciones sobre el uso correcto de la máquina.** Someter la máquina a otros usos o modificarla para efectuar distintas tareas, puede provocar lesiones.
- **No use la máquina si al soltar el acelerador las varillas no se detienen.** Cualquier equipo que no pueda ser controlado es peligroso y debe ser reparado.

Descripción, especificaciones y equipo estándar

Descripción

La Limpiadora K-1000 de RIDGID es una máquina con motor a gasolina para limpiar en línea recta cañerías principales de alcantarillados, atanores, principales de agua y tuberías de procesos industriales. Limpia desagües de

entre 8 y 24 pulgadas de diámetro hasta una distancia de 500 pies. Esta máquina emplea varillas seccionadas que se conectan rápidamente entre ellas, o con las herramienta de corte que se colocará en la punta, mediante acopladores rápidos.

Especificaciones

Tuberías de

desagües y cloacas.....de 8 a 24 pulgadas de diámetro

Transmisión (2 velocidades):

Marcha adelante (FORWARD)133 RPM

Marcha atrás o reversa (REVERSE).....133 RPM

Aceleradorde velocidad variable, retorna el motor a neutro cuando el operario suelta el mango

Motora gasolina, de 4 ciclos, 6 hp, eje vertical

Embrague.....centrífugo, se abre cuando el operario suelta el acelerador

Largo32 pulgadas

Ancho26 pulgadas

Altura (ensamblada y con el mango).....40 pulgadas

Peso (máquina solamente).....160 libras

Equipo estándar

No. en el catálogo	Modelo No.	Descripción
59175	K-1000	Máquina Limpiadora a varillas incluye: - Propulsor de varillas B-3542 - Propulsor de herramienta A-2704 - Pasador A-3567 - Girador de varillas R-0 - Adaptador de torsión A-4558 - Llave del acoplador A-12 - Mitón para la mano izquierda del operario A-1 - Mitón para la mano derecha del operario A-2
84295	K-1000	Limpiadora a varillas como la anterior más: - 20 secciones de varilla A-2475 de 5/16 pulg. por un total de 100 pies - Herramienta cortadora con cabeza de lanza T-300 - Barrena T-317 - Herramienta recogedora T-326

Varillas

No. en el catálogo	Modelo No.	Descripción
60355	A-2474	Varilla seccional continua de 3 pies incluye acopladores macho R-1 y hembra R-2
60360	A-2475	Varilla seccional continua de 5 pies incluye acopladores macho R-1 y hembra R-2
60365	A-2476	Varilla seccional continua de 10 pies incluye acopladores macho R-1 y hembra R-2

Herramientas de corte y cuchillas de repuesto

No. en el catálogo	Modelo No.	Descripción
62045	T-300	Cabeza de lanza
62050	T-301	Tirabuzón para tubería redonda de 1/2 pulg.
62055	T-302	Tirabuzón para tubería redonda de 2 pulg.
62060	T-303	Tirabuzón para tubería redonda de 2 1/2 pulg.
62065	T-304	Tirabuzón para tubería redonda de 3 pulg.
62070	T-305	Tirabuzón para tubería redonda de 3 1/2 pulg.
62075	T-306	Tirabuzón doble de 3 pulgs.
62080	T-307	Tirabuzón doble de 4 pulgs.
62085	T-308	Tirabuzón doble de 5 pulgs.
62090	T-309	Tirabuzón para tubería cuadrada de 3 pulg.
62095	T-310	Tirabuzón para tubería cuadrada de 4 pulg.
62100	T-311	Tirabuzón para tubería cuadrada de 5 pulg.
62105	T-312	Tirabuzón para tubería cuadrada de 6 pulg.
62370	T-313	Tirabuzón para tubería cuadrada de 8 pulg.
62375	T-314	Tirabuzón para tubería cuadrada de 10 pulg.
62380	T-315	Tirabuzón para tubería cuadrada de 12 pulg.
62110	T-316	Barrena de 3 pulg.
62115	T-317	Barrena de 4 pulg.
62120	T-318	Barrena de 5 pulg.
62125	T-319	Barrena de 6 pulg.
62385	T-320	Barrena de 8 pulg.
62390	T-321	Barrena de 10 pulg.
62140	T-326	Herramienta recuperadora

Las siguientes herramientas de uso pesado también son recomendables para el uso a la cabeza de la varilla.

No. en el catálogo	Modelo No.	Descripción	Replacement Blade(s)
61800	T-2	Barrena recta de uso pesado	—
61790	T-4	Barrena recta de uso pesado	—
63200	T-7	Barrena de gancho	—
61960	T-16	Cortadora de barra espiral de 4 pulg.	97855
61850	T-17	Cortadora de barra espiral de 6 pulg.	97955
61855	T-18	Cortadora de barra espiral de 8 pulg.	97960
63085	T-23	Cortadora de dientes de sierra de 4 pulg.	97850
59765	T-24	Cortadora de 4 cuchillas, de 2 1/2 pulg.	97940
59770	T-25	Cortadora de 4 cuchillas de 3 1/2 pulg.	97975
59775	T-26	Cortadora de 4 cuchillas de 4 1/2 pulg.	97805
59780	T-26A	Cortadora de 4 cuchillas de 5 1/2 pulg.	97980

Montaje de la máquina

▲ ADVERTENCIA

Para evitar lesiones, se requiere ensamblar la Limpiadora a varillas K-1000 correctamente.

Instrucciones para instalar el mango y el cable del acelerador de mano

1. Inserte el mango en los orificios correspondientes ubicados en la base y fíjelo con los cuatro tornillos de 3/8 pulgada provistos (Figura 1).
2. Coloque el extremo libre del cable del acelerador de mano en el mango del acelerador y afiance el cable, con las dos abrazaderas provistas, en el lado izquierdo del mango.



Figura 1

Instrucciones para el motor

1. El motor viene de fábrica sin aceite. Llene el depósito de aceite antes de echar a andar el motor (consulte el Manual del Motor incluido con la máquina).

⚠ CUIDADO El motor se dañará si se echa a andar la máquina con su depósito vacío.

Instrucciones para acoplar las varillas y herramientas de corte

1. Para conectar las varillas, alinee y enganche con un clic los acoplamientos (Figura 2).

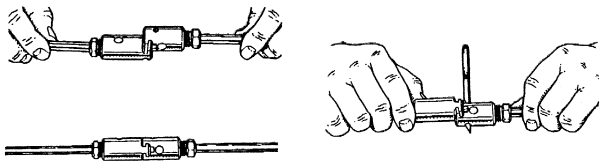
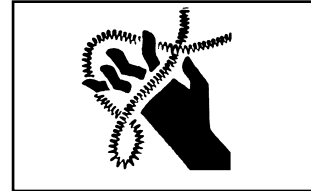
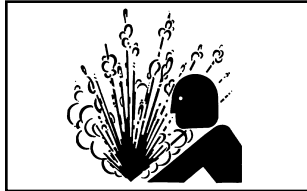


Figura 2 – Conexión y desconexión de varillas

2. Para desconectarlos, introduzca la llave de pasador y separe los acoplamientos.

Inspección de la máquina

⚠ WARNING



Para evitar lesiones de gravedad, revise su Limpiadora. Diariamente deben realizarse los siguientes procedimientos de inspección:

1. Revise el nivel del aceite en el cárter del motor. Si está bajo, agregue aceite (vea detalles en el Manual del Motor).
2. Revise el nivel de combustible en el motor. Si está bajo, agregue gasolina sin plomo de 86 o más octanos. (Vea el Manual del Motor incluido)

⚠ ADVERTENCIA Tenga cuidado cuando manipule gasolina. Llene el depósito en lugares bien ventilados. No llene el depósito de gasolina en demasía ni derrame gasolina. Asegure que la tapa del depósito haya quedado bien cerrada.

3. Revise la Limpiadora a varillas para asegurar que no tiene piezas o partes rotas, faltantes, desalineadas o trabadas, o por si existe cualquiera otra condición que pueda afectar el funcionamiento normal y seguro de la máquina. Si existe alguna falla, no use la Limpiadora hasta que el problema haya sido solucionado.
4. Lubrique la Limpiadora de acuerdo a la sección de Mantenimiento en este manual.
5. Use únicamente las herramientas de corte y los accesorios diseñados para esta Limpiadora K-1000 y los indicados para cada tarea que realice. Las herramientas y los accesorios adecuados le permitirán realizar los trabajos de forma eficiente y segura. Los accesorios que pueden ser seguros de emplear en otros equipos pueden resultar peligrosos acoplados a esta Limpiadora a varillas.
6. Limpie todo aceite, grasa y mugre que puedan tener los mangos y controles de esta máquina. Así se evitan los accidentes que ocurren cuando sus manos resbalan y usted pierde el control del aparato.
7. Revise los filos de corte de las herramientas que se acoplan a la punta de la varilla. Si es necesario, hágalas afilar o cámbielas antes de echar a andar la máquina. Las herramientas de corte desafiladas o dañadas pueden trabarse y doblar las varillas.

8. Inspeccione las varillas y acoplamientos por si están desgastados o dañados. Deben cambiarse las varillas cuando están muy gastadas, oxidadas o torcidas.

⚠ ADVERTENCIA Las varillas desgastadas o dañadas pueden quebrarse y causar lesiones de gravedad.

9. Dependiendo del uso, el limitador de torsión debe revisarse mensualmente. El limitador de torsión tiene como propósito minimizar el enroscamiento de las varillas cuando se crea mucho par torsor al engancharse la herramienta en un atasco difícil dentro de la tubería. El limitador de la torsión debe regularse a un máximo de 50 pies-libras (600 pulgadas-libras). Consulte los Procedimientos de Ajuste en la sección Mantenimiento.

⚠ ADVERTENCIA Un limitador de torsión mal regulado puede ocasionar el enroscamiento de las varillas y lesiones de gravedad.

Preparación de la máquina y de la zona de trabajo

⚠ ADVERTENCIA



Se requiere una adecuada preparación de la máquina y de la zona de trabajo para evitar que ocurran lesiones de gravedad. Deben seguirse los siguientes procedimientos para preparar la Limpiadora:

1. Asegure que en la zona de trabajo:
 - haya suficiente luz;
 - no existan líquidos inflamables, vapores o polvo que puedan incendiarse.
 - haya una adecuada ventilación para eliminar los gases del tubo de escape de la máquina.

⚠ ADVERTENCIA Los gases de escape contienen monóxido de carbono, venenoso. La inhalación de este gas puede causar la pérdida del conocimiento y conducir a la muerte.

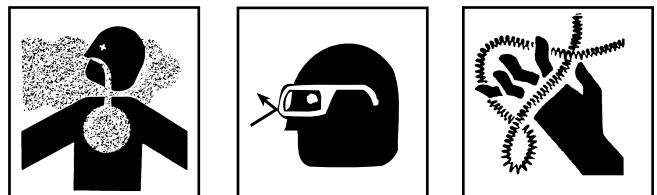
2. Coloque la máquina a unos 20 pies de la entrada a la alcantarilla. Si se la sitúa más lejos, pueden enroscarse las varillas y dar latigazos.
3. La palanca de la caja de engranajes debe estar en la posición NEUTRA (recto arriba).

4. Elija e instale la herramienta de corte que desea usar en la punta de la varilla. Para conectarla, enganche los acoplamientos macho y hembra con un clic. Para desconectarlos, introduzca la llave de pasador y sepárelos (Figura 2).

5. Acople las varillas necesarias para meterlas por la alcantarilla hasta donde sea necesario, pero sin extenderse más allá de 20 pies.

Instrucciones de funcionamiento

⚠ ADVERTENCIA



Las varillas pueden dar latigazos o enroscarse. Dedos, manos y otras partes del cuerpo pueden ser aplastadas o quebradas. Si se hace funcionar la máquina sin la ventilación necesaria, el operario puede sufrir una intoxicación con monóxido de carbono.

Use los guantes que vienen con la máquina. Nunca agarre una varilla que se encuentra girando con un trapo o un guante de género porque pueden enroscarse en la varilla y lesionarlo de gravedad.

Siempre uso protección para los ojos para protegerlos de mugre y objetos foráneos. Vista calzado con suelas de goma, antideslizantes.

⚠ ADVERTENCIA Siempre maneje la máquina correctamente para mantener el control de la máquina y de las varillas y evitar lesionarse (Figura 3).

- Cuando trabaje por un registro o boca de alcantarilla, se necesitan 2 personas: una para manejar la máquina y la otra para manipular las varillas.
- No haga funcionar la máquina con más de 20 pies de varilla entre la máquina y la tapa de la boca de la alcantarilla.
- El arco o curvatura de la varilla en la entrada de la alcantarilla no debe exceder los 3 pies.
- Si las varillas se enroscan, exija que todas las personas en las inmediaciones se sitúen detrás de la máquina antes de mover la palanca de la transmisión. Los violentos latigazos que da la varilla pueden causar lesiones graves.
- Si la herramienta de corte en la punta de la varilla se traba en un atasco de la alcantarilla, no trate de empujar el cable expuesto forzando la máquina.

Funcionamiento de la Limpiadora a varillas

1. La palanca de cambios de la transmisión debe estar en la posición NEUTRO (rectamente hacia arriba).
2. Coloque la manija del choke (cebador) en la posición CHOKE y arranque el motor algunas veces jalando el estárter.
3. Cuando el motor prenda, coloque la manija en RUN (en marcha) y tire del regulador de la aceleración hasta la velocidad deseada.

¡NOTA! Apriete la manija del acelerador de mano para acelerar el motor y suéltela de inmediato para que el motor vuelva a marchar al ralentí.

⚠ ADVERTENCIA En ralentí, el árbol de transmisión no debe estar girando. Si el árbol de transmisión gira, asegure que el resorte del control de la aceleración esté conectado o ajuste la velocidad del ralentí en la empuñadura del cable del acelerador aflojando la tuerca limitadora y ajustando la longitud del cable (Figura 1).

4. Coloque la varilla en el acceso a la alcantarilla.
5. Mientras sujeta ambos extremos de una cuerda, haga descender la barrena de corte o la herramienta de sondeo por la boca de la alcantarilla guiándola hasta la apertura lateral.
6. Emplee un girador manual de varilla e introduzca la varilla un trecho corto dentro de la abertura lateral.
7. Suelte un extremo de la cuerda y retírela del acceso a la alcantarilla.
8. Acople varilla a la máquina en el sujetador de varilla (Figura 1).

⚠ ADVERTENCIA El operario que esté guiando las varillas debe llevar puestos los mitones de cuero con remaches en las palmas, provistos con la máquina.

9. Coloque la palanca de la caja de engranajes en posición FWD (ADELANTE).
10. Apriete la manija del acelerador para obtener la rotación deseada (RPM) de las varillas y empuje la máquina hacia delante.
11. A medida que se empuja la máquina hacia delante, quien manipula la varilla debe empujar la varilla hacia abajo guiándola entre los pulgares y palmas de las manos y con los dedos extendidos. (Figura 3)

⚠ ADVERTENCIA

El arqueado de la varilla en la zona de acceso a la alcantarilla no debe exceder los 3 pies.

12. Cuando la máquina se encuentre a aproximada-

mente 8 pies del acceso, suelte la manija del acelerador y coloque la palanca de la caja de engranajes en la posición NEUTRO (recto hacia arriba).

13. Desacople la varilla del sujetador de varilla, corra la máquina hacia atrás unos 10 pies y conecte varillas adicionales.

⚠ ADVERTENCIA No desacople varillas que se encuentren estresadas.

14. Continúe haciendo avanzar secciones de varilla siguiendo los pasos 9 al 13 hasta traspasar la obstrucción.

⚠ ADVERTENCIA Cuando llegue a un atasco en que la herramienta se engancha, no trate de forzar la máquina empujando las varillas expuestas. Las varillas se doblarán y darán latigazos.

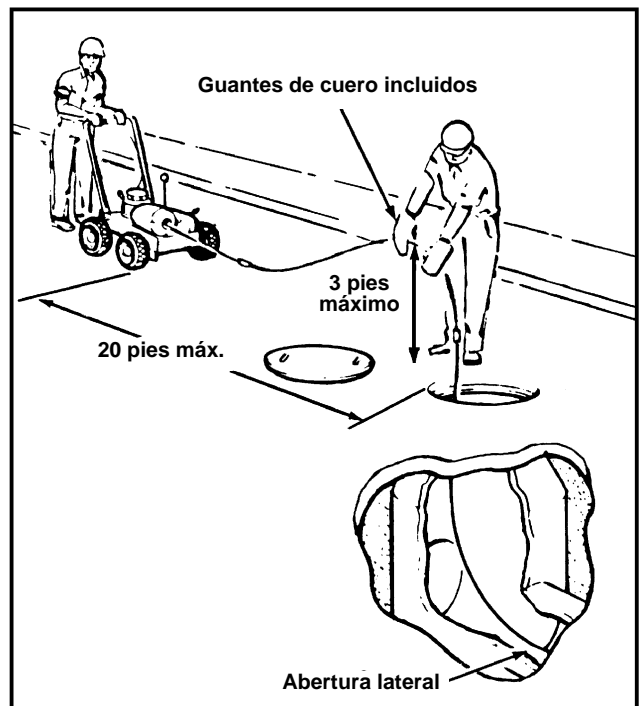


Figura 3 – Modo de empleo de la Limpiadora a varillas

15. Si la herramienta se queda enganchada en una obstrucción, suelte la manija del acelerador. Coloque la máquina en reversa o marcha atrás, apriete el control del acelerador y tire de la máquina hacia atrás para desenganchar y aliviar a la herramienta de corte.

⚠ ADVERTENCIA Haga funcionar la máquina en reversa, únicamente para sacar la herramienta de una obstrucción.

⚠ ADVERTENCIA

Si las varillas se enroscan, haga que todas las personas se apuesten detrás de la máquina antes de efectuar un cambio de engranajes. Los violentos

latigazos que da la varilla pueden causar lesiones graves.

16. Si la varilla se enrosca o se tuerce, suelte el acelerador para que el motor vuelva a la velocidad de ralentí. Asegure que todos los operarios se encuentran detrás de la máquina. Retroceda la máquina para eliminar cualquier laxitud de las varillas. Cambie la transmisión a NEUTRO para asegurar que se ha eliminado toda torsión.
17. Proceda a través de la obstrucción con la palanca de la transmisión en posición FWD (adelante).
18. Después de atravesar la obstrucción continúe el avance por la línea para asegurarse de que se encuentra despejada.
19. Cuando haya terminado, deje la palanca de engranajes en posición FWD (ADELANTE) y aleje la máquina de la boca de acceso a la alcantarilla.
20. Cuando se hayan retirado unos 20 pies de varilla fuera de la alcantarilla, coloque la palanca de la transmisión en NEUTRO (recta hacia arriba).
21. Desconecte la varilla fuera del sujetador de varilla y desacople las secciones de varilla con el pasador. Sepárelas (Figura 2).

⚠ ADVERTENCIA No desacople varillas si están bajo estrés.

22. Acerque la máquina hasta la boca de la alcantarilla y conecte la varilla al sujetador de varilla. Ponga la transmisión en FWD (adelante) y siga los pasos 19 a 21 hasta que las varillas hayan salido por completo de la alcantarilla.
23. Mueva la manija del choke a la posición de STOP (PARE) para detener la máquina.

Accesorios

⚠ ADVERTENCIA Los siguientes productos RIDGID son los únicos que pueden funcionar con la Limpiadora a varillas K-1000. Para evitar lesiones, sólo emplee los accesorios listados a continuación.

No. en el catálogo	Modelo No.	Descripción
59835	K-10	Juego completo de acoplamientos rápidos para varillas: uno R-1 y R-2
59560	R-1	Acoplamiento macho
59555	R-2	Acoplamiento hembra
61875	R-7	Acoplamiento macho para herramienta de corte, conecta adaptador de la herramienta con la herramienta misma
61885	R-8	Acoplamiento hembra para la herramienta conecta la herramienta con el adaptador
60700	A-2704	Adaptador de herramientas, incluye acoplamientos R-2 y R-7
62170	B-3542	Sujetador de varilla para la K-1000
61895	—	Propulsor de varilla para la K-2000
62815	R-O	Girador de varilla, se usa para girar manualmente las varillas en recorridos cortos
59205	A-1	Mitón de mano izquierda
59295	A-2	Mitón de mano derecha
59360	A-3	Caja de herramientas
59225	A-12	Llave de pasador

Instrucciones de mantenimiento

⚠ ADVERTENCIA

Desconecte la bujía cuando le haga mantenimiento o servicio a la Limpiadora o a su motor.

Limitador de torsión

(Figuras 4 y 5)

El limitador de torsión sirve para minimizar el enroscamiento de las varillas y la torsión excesiva a través del sistema de transmisión. Las varillas se enroscan cuando se enfrentan a atascos de magnitud dentro de una tubería. El limitador de torsión debe regularse a no más de 50 pies-libras (600 pulgadas-libras).

El limitador de torsión consiste de dos discos de fibra, uno montado a cada lado de la rueda dentada propulsora de la cadena No. A-3569. Cuando se afianza a la rueda dentada, el limitador de torsión resulta ser la única conexión entre el eje impulsor B-3548 y la rueda dentada A-3569.

Regulación del limitador de torsión usando la llave de ajuste de la torsión

(Figuras 4 y 5)

1. Desconecte el cable de la bujía de encendido.

2. Extraiga los tres tornillos y la cubierta de seguridad para que quede expuesto el limitador de torsión.
3. Desatornille parcialmente los tres tornillos de casquete para que no hagan contacto con la placa de apoyo. Ahora están sueltos para ser girados a mano.
4. Desatornille el anillo roscado del limitador de torsión hasta que gire libremente. Apriete a mano el anillo roscado del limitador de torsión contra la placa de apoyo.
5. Apriete a mano los tres tornillos de casquete para que hagan contacto con la placa de apoyo.

¡NOTA! Esto asegura que todos, los tres tornillos, ejercen igual presión contra la placa de apoyo al comienzo de la regulación de la torsión.

6. Inserte una llave hexagonal de $\frac{3}{16}$ pulgada o pasador a través de los dos lados de la cadena cerca de la rueda dentada, para así trabar la cadena.
7. Inserte la herramienta para probar la torsión dentro del eje impulsor A-3548 y fíjela en su lugar con la clavija del eje.

8. Coloque un casquillo de 1 pulgada en la llave para regular la torsión y aplique momento torsor sobre la herramienta para probar la torsión. Anote la medida de torsión que usted lea al momento en que el limitador de torsión resbala o pierde fuerza.
9. Si la lectura de la torsión es inferior a 50 pies-libras, apriete los tres tornillos de casquete en forma pareja y revise nuevamente la lectura de la torsión. Si la lectura de la torsión es mayor a 50 pies-libras, suelte los tres tornillos de casquete en forma pareja y revise la lectura de la torsión nuevamente.

¡NOTA! Gire los tornillos de casquete un cuarto de vuelta para la regulación inicial. Reduzca el giro a un octavo de vuelta o menos en el ajuste final para obtener una lectura de 50 pies-libras.

10. Extraiga la clavija o llave hexagonal que se colocó para trabar la cadena.
11. Extraiga la llave para regular la tensión, el pasador del eje impulsor y la máquina para probar la torsión.
12. Instale la cubierta protectora y fíjela con los tres tornillos. Un tornillo es más largo que los otros, el cual se coloca en el lado inferior derecho.
13. Conecte el cable de la bujía de encendido.

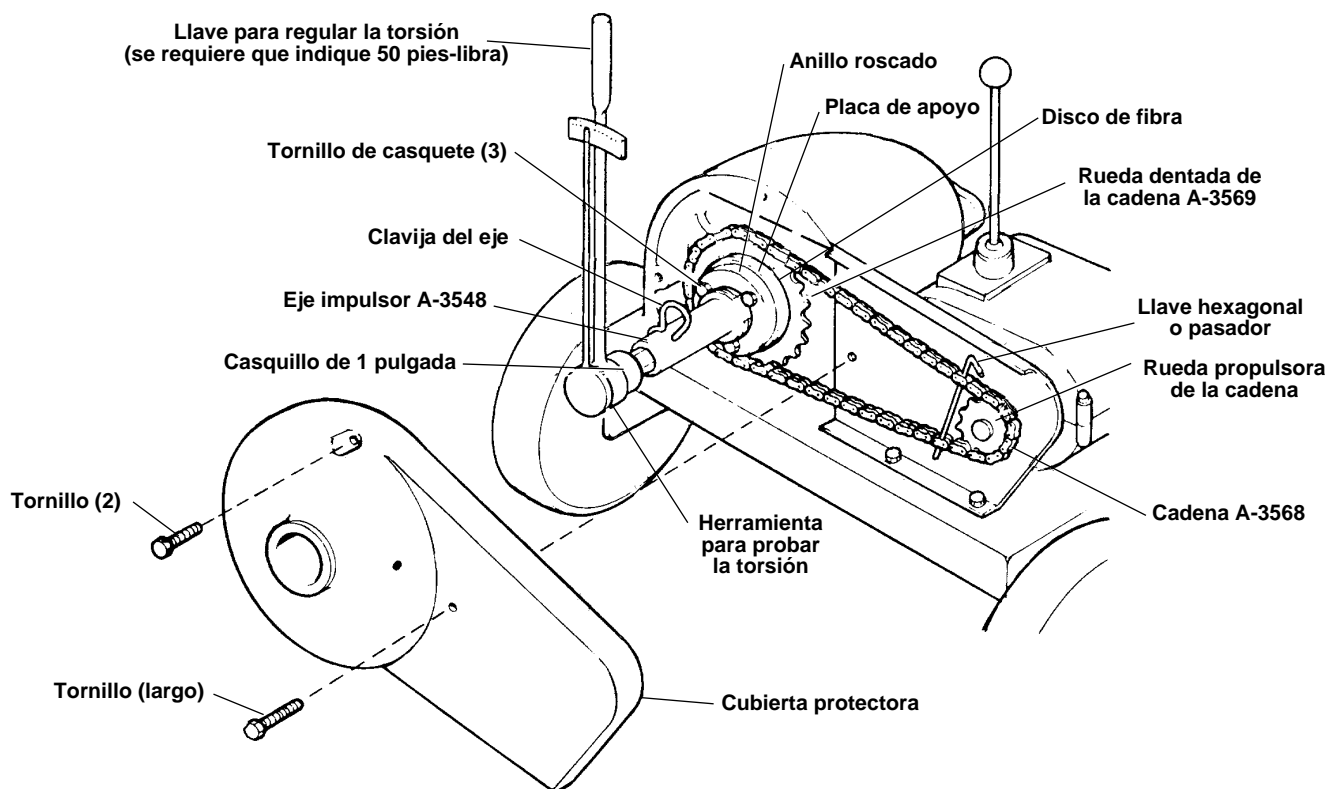


Figura 4 – Ajuste del limitador de torsión

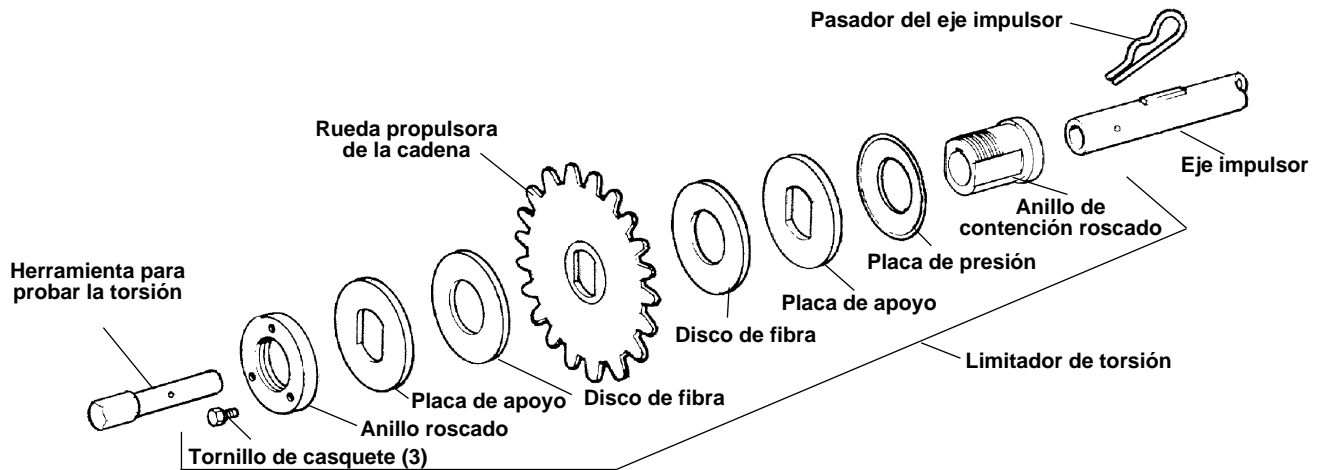


Figura 5 – Limitador de torsión, Herramienta para probar la torsión y Eje impulsor

Regulación del Limitador de Torsión usando el medidor de resorte

1. Siga los pasos 1 al 7 sobre la regulación del limitador de torsión usando la llave para regular la torsión.
2. Encaje a presión el mango de casquillo del eje en un casquillo de 1 pulgada e instálelos en la herramienta para probar la torsión.
3. Mida 12 pulgadas desde el centro del casquillo a lo largo del mango de casquillo del eje y acople el medidor de resorte.
4. Tire del medidor de resorte hasta que el limitador de torsión pierda fuerza. La debe indicar 50 libras.
5. Repita el paso 9 descrito anteriormente hasta que obtenga una lectura de 50 libras.

Motor

Siempre revise el nivel del aceite del motor. Consulte el manual adjunto, en el cual se detallan instrucciones para el mantenimiento del motor.

Transmisión

La transmisión no necesita volverse a lubricar, no obstante, una grieta o filtración en un sello pueden agotar la grasa lubricante después de varias horas de uso. Una filtración como ésta se hará evidente y debe ser subsanada.

Embrague centrífugo

El embrague centrífugo se encajará automáticamente cuando se abra el acelerador. No debiera necesitar mantenimiento alguno. No obstante, si se llega a producir

una pérdida de fuerza de transmisión provocada por la entrada de suciedad o grasa al embrague, los objetos foráneos deben eliminarse.

Ruedas

Las cuatro ruedas deben engrasarse una vez al año. La admisión para el engrase se encuentra en la cara interior del cubo de la rueda.

Verificación de la velocidad del motor al ralentí

Una vez que el motor ha arrancado, apriete la empuñadura del acelerador para acelerar el motor y suéltela de inmediato para que el motor vuelva al ralentí.

⚠ ADVERTENCIA Al ralentí, el eje de accionamiento no debe de estar girando. Si el eje de accionamiento gira, asegure que el resorte de control del acelerador esté conectado; o, ajuste la velocidad de ralentí en la empuñadura del cable del acelerador aflojando la tuerca limitadora y ajustando la longitud del cable (Figura 1).

Ajuste del acelerador

El control del acelerador viene regulado de fábrica y no debiera necesitar ajuste. Si el ralentí está muy alto o el motor no acelera cuando se jala el acelerador, chequee el mecanismo de conexión del acelerador.

1. Chequee la regulación de la velocidad ajustando la posición del cable; afloje la abrazadera situada en el brazo y muévalo levemente.
2. Para ajustar el ralentí y controlar la mezcla, consulte el manual adjunto.

Regulación de la tensión de la correa en "V"

La Correa en "V" debe revisarse por lo menos una vez al mes. La tensión de la correa debe ser sólo lo suficiente como para impulsar una carga máxima a alta velocidad con el obturador abierto. Una tensión excesiva de la correa hará que el embrague centrífugo resbale a la velocidad de marcha en vacío. La correa en "V" se tensa aflojando los pernos del montaje de la máquina y deslizando la máquina hacia atrás.

Rodamientos principales

Los Rodamientos Principales deben engrasarse cada 12 usos de la máquina o una vez cada tres meses, cualesquiera ocurra primero. La Cubierta Protectora debe retirarse para poder engrasar el principal rodamiento delantero. Retirada la cubierta, debe aprovecharse de revisar y engrasar la Cadena.

▲ ADVERTENCIA No use la máquina sin sus cubiertas protectoras.

Almacenaje de las varillas

Las varillas deben lavarse completamente con agua para impedir los efectos dañinos del uso en la limpieza de cañerías de algunos compuestos químicos. Periódicamente, lubrique las varillas y acoplamiento con aceite. Cuando las almacene, desacople las varillas. No las guarde enrolladas porque se pueden doblar o dañar.

Almacenamiento de la máquina

▲ ADVERTENCIA Los equipos motorizados deben guardarse bajo techo o bien tapados en tiempo de lluvia o nieve. Almacene la máquina bajo llave donde no la puedan alcanzar los niños y personas inexpertas. En manos de personas sin entrenamiento, esta máquina puede causar graves lesiones.

Servicio y reparaciones

▲ ADVERTENCIA

La sección "Instrucciones de mantenimiento" trata la mayor parte de los servicios requeridos por esta máquina. Cualquier problema que no haya sido mencionado en esta sección debe ser resuelto únicamente por un técnico de reparaciones autorizado de RIDGID.

La máquina debe llevarse a un Servicentro Autorizado Independiente RIDGID o devuelta a la fábrica. Todas las reparaciones hechas por los establecimientos de servicio Ridge están garantizadas de estar libres de defectos en los materiales y en la mano de obra.

▲ ADVERTENCIA Sólo deben usarse piezas de recambio idénticas cuando se le hace servicio a esta máquina. Si no se siguen estas instrucciones, pueden producirse choques eléctricos u otras lesiones graves.

Si tiene cualquier pregunta relativa al servicio o reparación de esta máquina, llame o escriba a:

Ridge Tool Company
Technical Service Department
400 Clark Street
Elyria, Ohio 44035-6001
Tel: (800) 519-3456
E-mail: TechServices@ridgid.com

Para el nombre y la dirección del Servicentro Independiente Autorizado más cercano, llame a Ridge Tool Company al (800) 519-3456 o visite nuestro sitio web: <http://www.ridgid.com>



What is covered

RIDGID® tools are warranted to be free of defects in workmanship and material.

How long coverage lasts

This warranty lasts for the lifetime of the RIDGID® tool. Warranty coverage ends when the product becomes unusable for reasons other than defects in workmanship or material.

How you can get service

To obtain the benefit of this warranty, deliver via prepaid transportation the complete product to RIDGE TOOL COMPANY, Elyria, Ohio, or any authorized RIDGID® INDEPENDENT SERVICE CENTER. Pipe wrenches and other hand tools should be returned to the place of purchase.

What we will do to correct problems

Warranted products will be repaired or replaced, at RIDGE TOOL'S option, and returned at no charge; or, if after three attempts to repair or replace during the warranty period the product is still defective, you can elect to receive a full refund of your purchase price.

What is not covered

Failures due to misuse, abuse or normal wear and tear are not covered by this warranty. RIDGE TOOL shall not be responsible for any incidental or consequential damages.

How local law relates to the warranty

Some states do not allow the exclusion or limitation of incidental or consequential damages, so the above limitation or exclusion may not apply to you. This warranty gives you specific rights, and you may also have other rights, which vary, from state to state, province to province, or country to country.

No other express warranty applies

This FULL LIFETIME WARRANTY is the sole and exclusive warranty for RIDGID® products. No employee, agent, dealer, or other person is authorized to alter this warranty or make any other warranty on behalf of the RIDGE TOOL COMPANY.



Ce qui est couvert

Les outils RIDGE® sont garantis contre tous vices de matériaux et de main d'œuvre.

Durée de couverture

Cette garantie est applicable durant la vie entière de l'outil RIDGE®. La couverture cesse dès lors que le produit devient inutilisable pour raisons autres que des vices de matériaux ou de main d'œuvre.

Pour invoquer la garantie

Pour toutes réparations au titre de la garantie, il convient d'expédier le produit complet en port payé à la RIDGE TOOL COMPANY, Elyria, Ohio, ou bien le remettre à un réparateur RIDGID® agréé. Les clés à pipe et autres outils à main doivent être ramenés au lieu d'achat.

Ce que nous ferons pour résoudre le problème

Les produits sous garantie seront à la discrétion de RIDGE TOOL, soit réparés ou remplacés, puis réexpédiés gratuitement ; ou si, après trois tentatives de réparation ou de remplacement durant la période de validité de la garantie le produit s'avère toujours défectueux, vous aurez l'option de demander le remboursement intégral de son prix d'achat.

Ce qui n'est pas couvert

Les défaillances dues au mauvais emploi, à l'abus ou à l'usure normale ne sont pas couvertes par cette garantie. RIDGE TOOL ne sera tenue responsable d'aucuns dommages directs ou indirects.

L'influence de la législation locale sur la garantie

Puisque certaines législations locales interdisent l'exclusion des dommages directs ou indirects, il se peut que la limitation ou exclusion ci-dessus ne vous soit pas applicable. Cette garantie vous donne des droits spécifiques qui peuvent être éventuellement complétés par d'autres droits prévus par votre législation locale.

Il n'existe aucune autre garantie expresse

Cette GARANTIE PERPETUELLE INTEGRALE est la seule et unique garantie couvrant les produits RIDGID®. Aucun employé, agent, distributeur ou tiers n'est autorisé à modifier cette garantie ou à offrir une garantie supplémentaire au nom de la RIDGE TOOL COMPANY.

Ridge Tool Company
400 Clark Street
Elyria, Ohio 44035-6001



Qué cubre

Las herramientas RIDGID están garantizadas contra defectos de la mano de obra y de los materiales empleados en su fabricación.

Duración de la cobertura

Esta garantía cubre a la herramienta RIDGID durante toda su vida útil. La cobertura de la garantía caduca cuando el producto se torna inservible por razones distintas a las de defectos en la mano de obra o en los materiales.

Cómo obtener servicio

Para obtener los beneficios de esta garantía, envíe mediante porte pagado, la totalidad del producto a RIDGE TOOL COMPANY, en Elyria, Ohio, o a cualquier Servicentro Independiente RIDGID. Las llaves para tubos y demás herramientas de mano deben devolverse a la tienda donde se adquirieron.

Lo que hacemos para corregir el problema

El producto bajo garantía será reparado o reemplazado por otro, a discreción de RIDGE TOOL, y devuelto sin costo; o, si aún resulta defectuoso después de haber sido reparado o sustituido tres veces durante el periodo de su garantía, Ud. puede optar por recibir un reembolso por el valor total de su compra.

Lo que no está cubierto

Esta garantía no cubre fallas debido al mal uso, abuso o desgaste normal. RIDGE TOOL no se hace responsable de daño incidental o consiguiente alguno.

Relación entre la garantía y las leyes locales

Algunos estados de los EE.UU. no permiten la exclusión o restricción referente a daños incidentales o consiguientes. Por lo tanto, puede que la limitación o restricción mencionada anteriormente no rija para Ud. Esta garantía le otorga derechos específicos, y puede que, además, Ud tenga otros derechos, los cuales varían de estado a estado, provincia a provincia o país a país.

No rige ninguna otra garantía expresa

Esta GARANTIA VITALICIA es la única y exclusiva garantía para los productos RIDGID. Ningún empleado, agente, distribuidor u otra persona está autorizado para modificar esta garantía u ofrecer cualquier otra garantía en nombre de RIDGE TOOL COMPANY.

