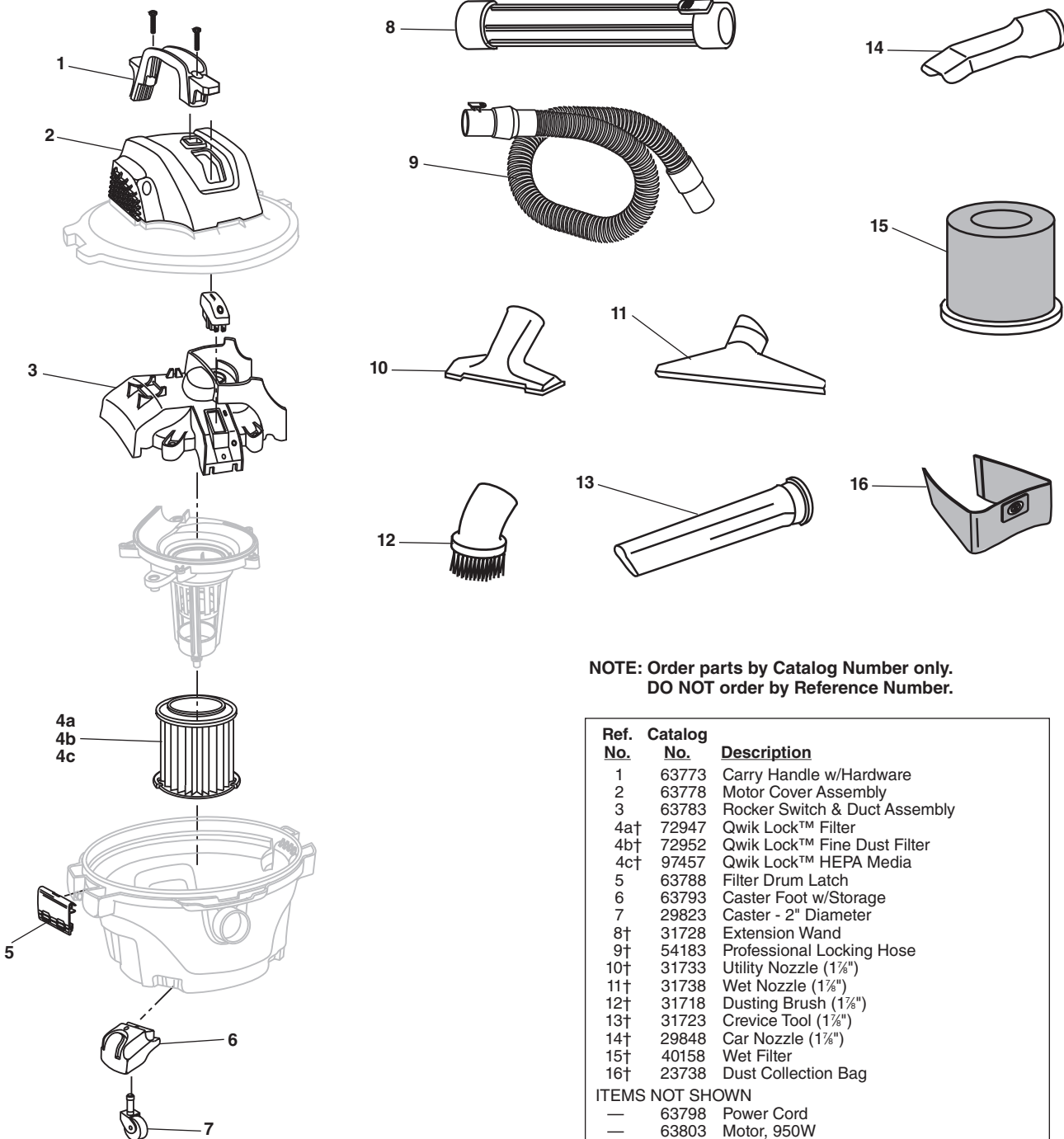


6 GALLON NXT WET/DRY VAC



**NOTE: Order parts by Catalog Number only.
DO NOT order by Reference Number.**

Ref. No.	Catalog No.	Description
1	63773	Carry Handle w/Hardware
2	63778	Motor Cover Assembly
3	63783	Rocker Switch & Duct Assembly
4a†	72947	Qwik Lock™ Filter
4b†	72952	Qwik Lock™ Fine Dust Filter
4c†	97457	Qwik Lock™ HEPA Media
5	63788	Filter Drum Latch
6	63793	Caster Foot w/Storage
7	29823	Caster - 2" Diameter
8†	31728	Extension Wand
9†	54183	Professional Locking Hose
10†	31733	Utility Nozzle (1½")
11†	31738	Wet Nozzle (1½")
12†	31718	Dusting Brush (1½")
13†	31723	Crevice Tool (1½")
14†	29848	Car Nozzle (1½")
15†	40158	Wet Filter
16†	23738	Dust Collection Bag
ITEMS NOT SHOWN		
—	63798	Power Cord
—	63803	Motor, 950W

† These replacement parts are also available where you purchased your Vac