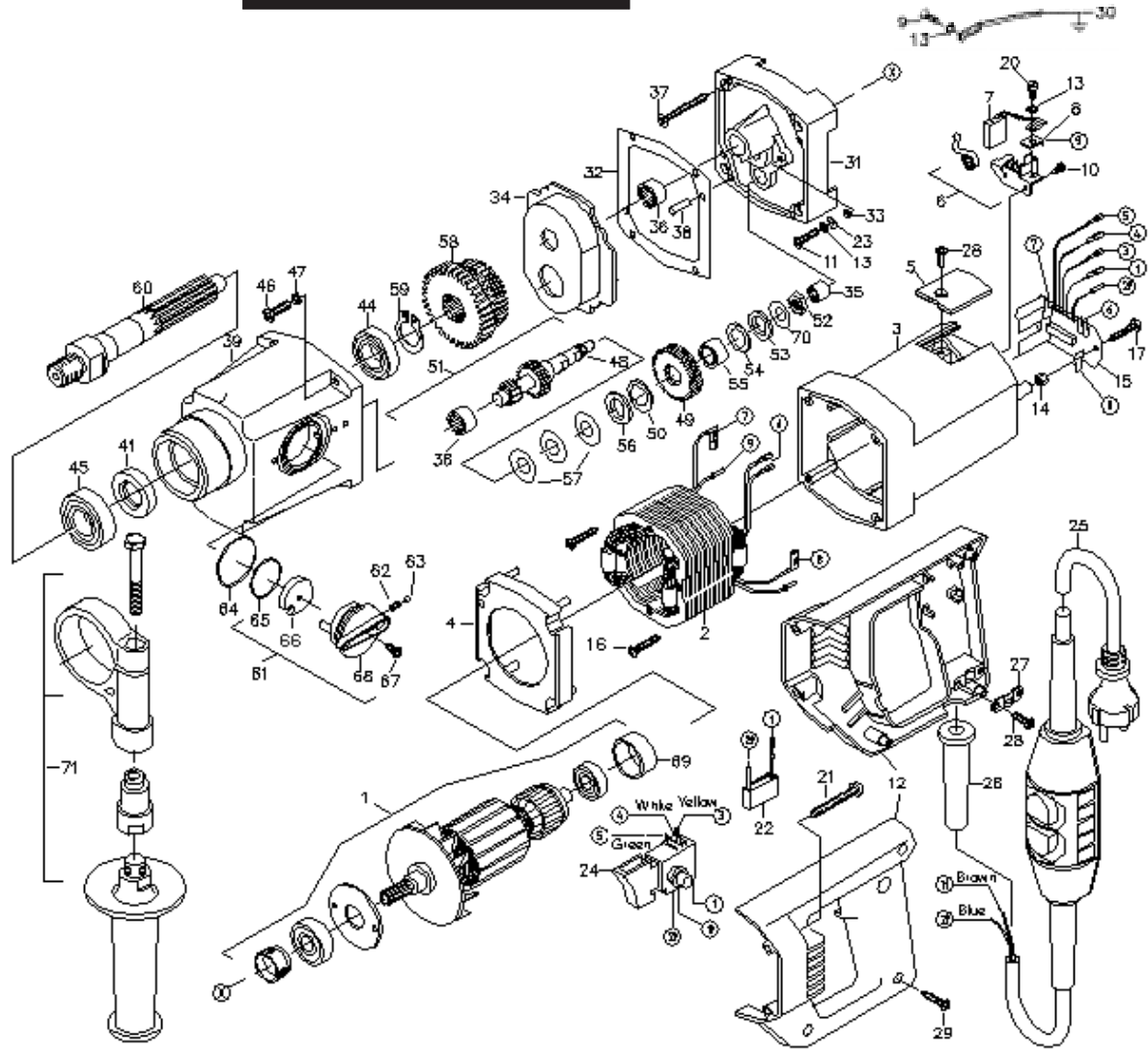
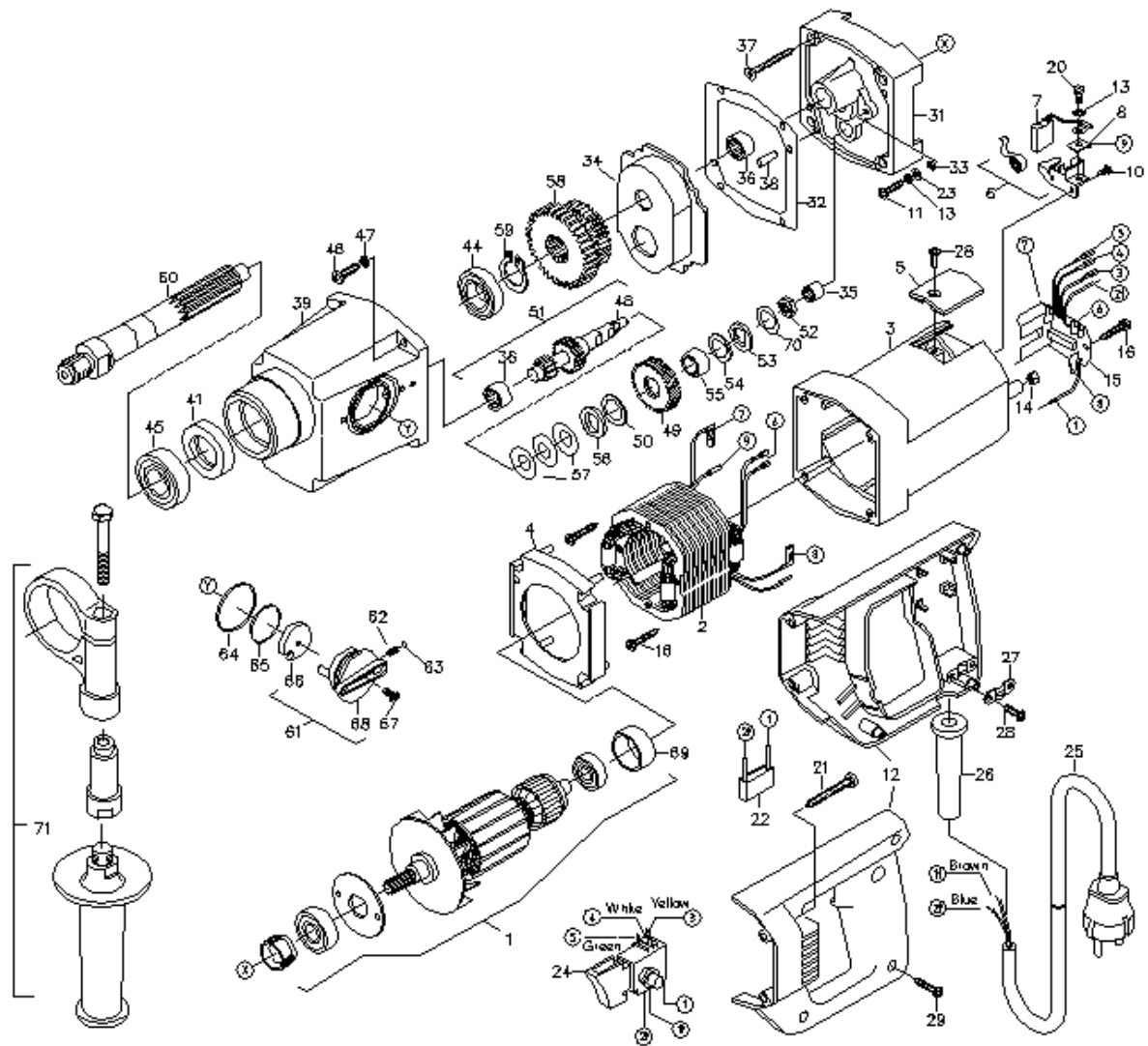


# RIDGID® HC-2



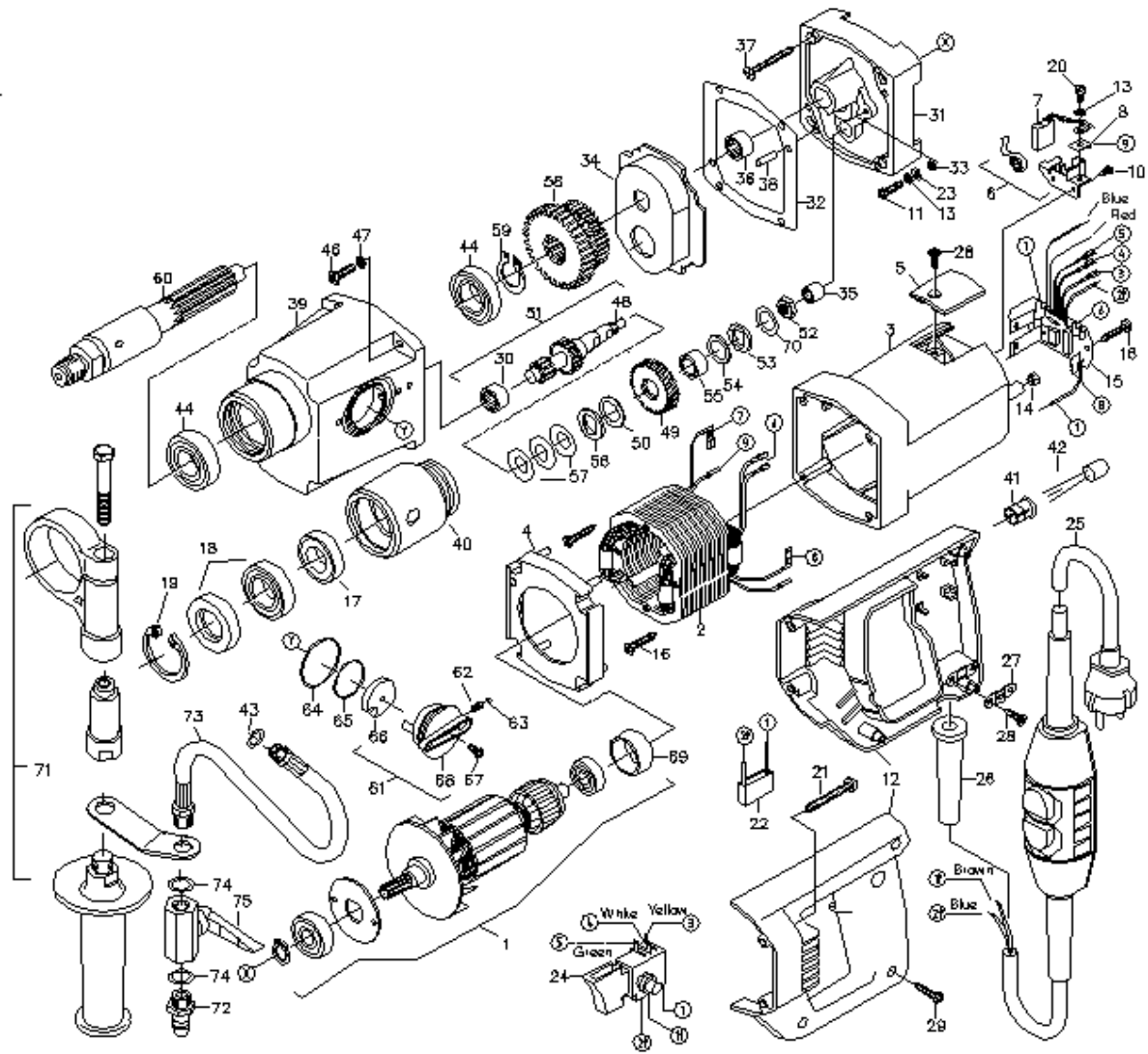
No.	Description	Cat. No.	No.	Description	Cat. No.	No.	Description	Cat. No.
1	ARMATURE ASSY	60586	31	COVER FOR GEARCASE	55506	61	SHIFT KNOB ASSY	55476
2	FIELD ASSY	55396	32	PACKING F. GEARCASE	55516	62	COMPRESSION SPRING	56006
3	MOTORHOUSING ASSY	55966	33	O-RING 3,68X1,78	56096	63	BALL	55676
4	FANHOUSING	55386	34	PARTITION FOR GREASE	70476	64	O-RING 36X1,5	55686
5	BRUSHCAP	55976	35	BUSHING 0810	65006	65	O-RING 28X1	55646
6	BRUSHHOLDER ASSY	65396	36	BUSHING 1210	56226	66	MOUNTING PLATE	70486
7	SET OF CARBON BRUSHES	64786	37	SCREW 4,5X50	55696	67	SCREW M3X12	70496
8	AMP CONNECTOR PLATE	64796	38	DOWEL PIN 5X16	65606	68	SHIFTER KNOB	70506
9	SCREW M4X16	65586	39	GEARCASE	71826	69	BEARING SLEEVE	65346
10	SCREW 2,9X13	56186	41	SEAL 20X35X7	56036	70	BELLEVILLE WASHER 25	70516
11	SCREW M4X16	56286	44	BALL BEARING 6904	55806	71	AUXILLARY HANDLE ASSY	71816
12	HANDLE SET	55816	45	BALL BEARING 6004	55776			
13	LOCKWASHER 4,3	64836	46	SCREW M5X20	56296			
14	SPACER BUSH	55936	47	LOCKWASHER 5	55716			
15	CONNECTOR PLATE ASSY	60596	48	INTERMEDIATE GEAR	71786			
16	SCREW 4,2 x 25	56136	49	CLUTCH - GEAR	55486			
20	SCREW M4X6	56266	50	BRASS WASHER	65206			
21	SCREW 4,8X45	64876	51	CLUTCH assy (57516 s/n < 00200/02)	71831			
22	SUPPRESSOR	55416	52	HEXNUT M10X1	65196			
23	WASHER 4,3	56016	53	DRIVE PLATE	65186			
24	SWITCH	55736	54	BRASS WASHER	65176			
25	LINE CORD W. PLUG	65526	55	BUSHING	55926			
26	CABLE SLEEVE	55946	56	DRIVE PLATE	65216			
27	CABLE CLAMP	55906	57	BELLEVILLE WASHER 28	65226			
28	SCREW 4,2X13	56116	58	IDLER GEAR	71776			
29	SCREW 4,2X22	56126	59	CIRCLIPS 19/1	55596			
30	EARTHWIRE	64966	60	OUTPUTSPINDLE	55446			

# RIDGID HC-2D



No.	Description	Cat. No.	No.	Description	Cat. No.	No.	Description	Cat. No.
1	ARMATURE ASSY	60586	32	PACKING F. GEARCASE	55516	61	SHIFT KNOB ASSY	55476
2	FIELD ASSY	55396	33	O-RING 3,68X1,78	56096	62	COMPRESSION SPRING	56006
3	MOTORHOUSING ASSY	55966	34	PARTITION FOR GREASE	70476	63	BALL	55676
4	FANHOUSING	55386	35	BUSHING 0810	65006	64	O-RING 36X1,5	55686
5	BRUSHCAP	55976	36	BUSHING 1210	56226	65	O-RING 28X1	55646
6	BRUSHHOLDER ASSY	65396	37	SCREW 4,5X50	55696	66	MOUNTING PLATE	70486
7	SET OF CARBON BRUSHES	64786	38	DOWEL PIN 5X16	65606	67	SCREW M3X12	70496
8	AMP CONNECTOR PLATE	64796	39	GEARCASE	55436	68	SHIFTER KNOB	70506
10	SCREW 2,9X13	56186	41	SEAL 20X35X7	56036	69	BEARING SLEEVE	65346
11	SCREW M4X16	56286	44	BALL BEARING 6904	55806	70	BELLEVILLE WASHER 25	70516
12	HANDLE SET	55816	45	BALL BEARING 6004	55776	71	AUXILLARY HANDLE ASSY	71816
13	LOCKWASHER 05.004,3	64836	46	SCREW M5X20	56296			
14	PLASTIC NUT M5	55936	47	LOCKWASHER 5	55716			
15	CONNECTOR PLATE ASSY	60596	48	INTERMEDIATE GEAR	55466			
16	SCREW 4,2X25	56136	49	CLUTCH - GEAR	55486			
20	SCREW M4X6	56266	50	BRASS WASHER	65206			
21	SCREW 4,8X45	64876	51	CLUTCH ASSY	57516			
22	SUPPRESSOR	55416	52	HEXNUT M10X1	65196			
23	WASHER 4,3	56016	53	DRIVE PLATE	65186			
24	SWITCH	55736	54	BRASS WASHER	65176			
25	LINE CORD NO PRCD	71726	55	BUSHING	55926			
26	CABLE SLEEVE	55946	56	DRIVE PLATE	65216			
27	CABLE CLAMP	55906	57	BELLEVILLE WASHER 28	65226			
28	SCREW 4,2X13	56116	58	IDLER GEAR	55456			
29	SCREW 4,2X22	56126	59	CIRCLIPS 19/1	55596			
31	COVER FOR GEARCASE	55506	60	OUTPUTSPINDLE	55446			

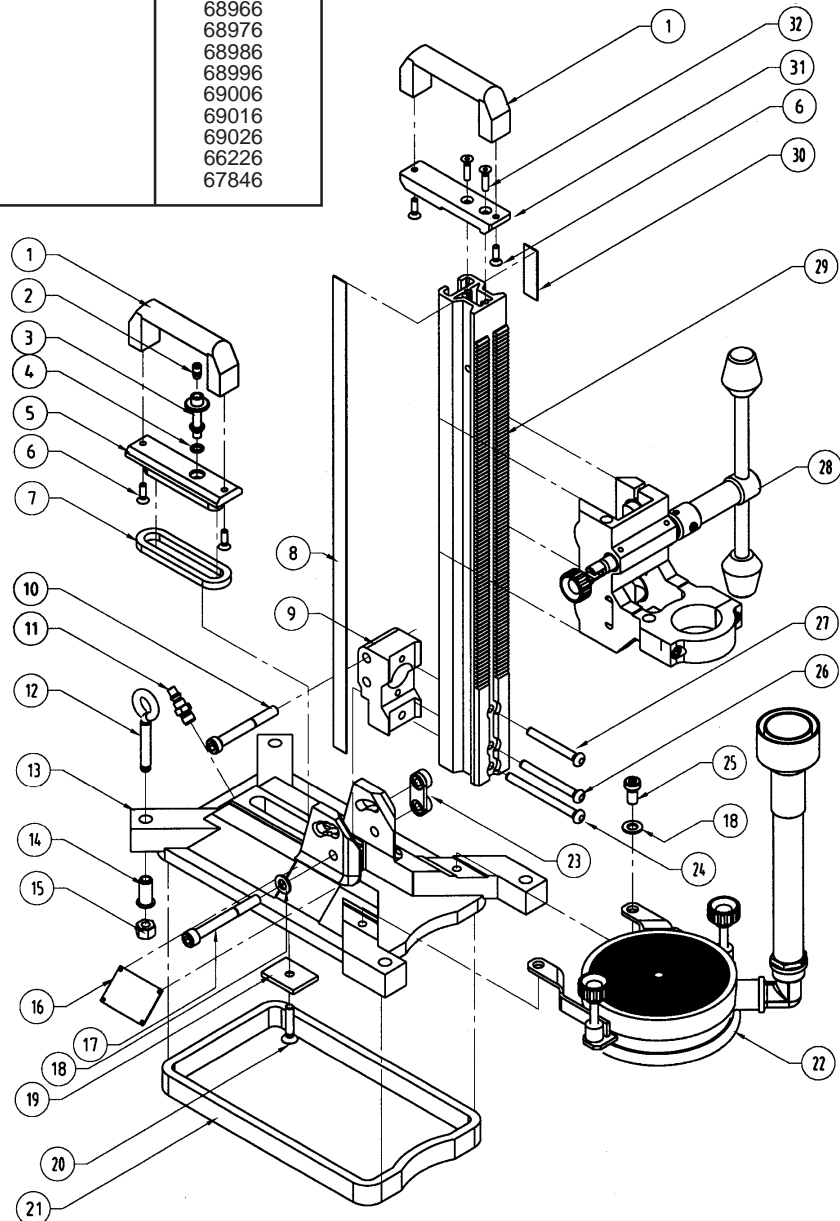
# RIDGID<sup>®</sup> HC-2W



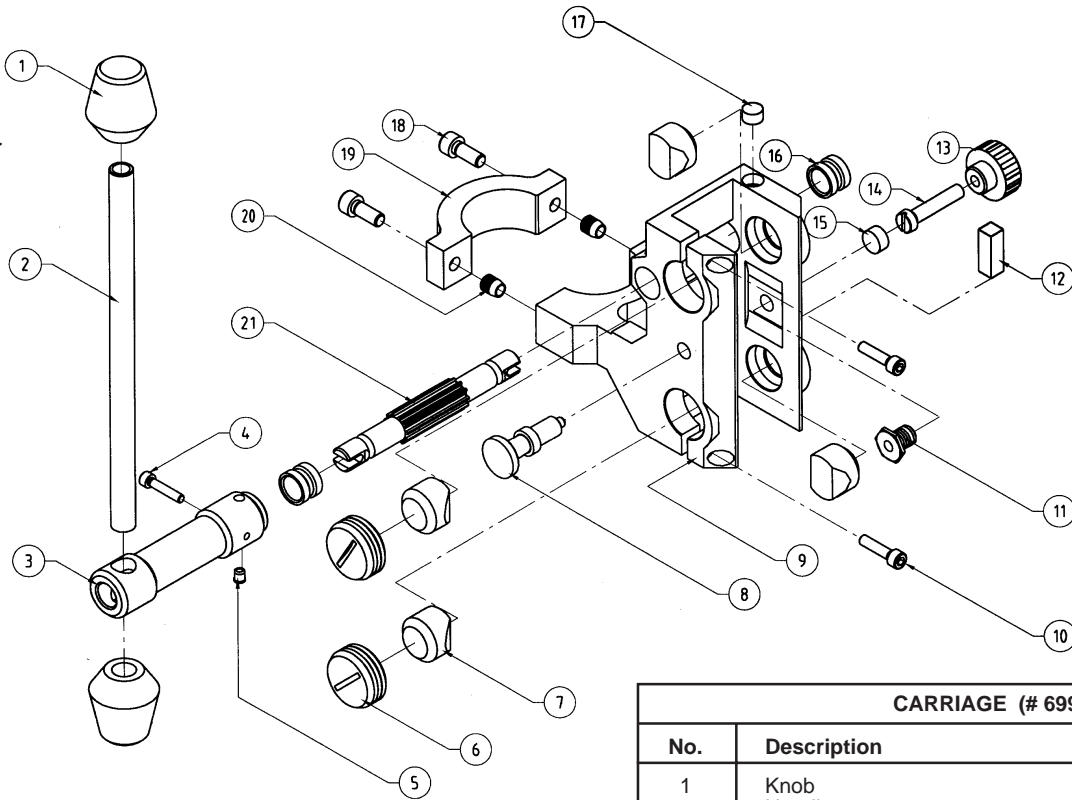
No.	Description	Cat. No.	No.	Description	Cat. No.	No.	Description	Cat. No.
1	ARMATURE ASSY	70526	28	SCREW 4,2X13	56116	55	BUSHING	55926
2	FIELD ASSY	55396	29	SCREW 4,2X22	56126	56	DRIVE PLATE	65216
3	MOTORHOUSING ASSY	55966	30	BUSHING 1012	70606	57	BELLEVILLE WASHER 28	65226
4	FANHOUSING	55386	31	COVER FOR GEARCASE	55506	58	IDLER GEAR	71776
5	BRUSHCAP	55976	32	PACKING F. GEARCASE	55516	59	CIRCLIP 19/1	55596
6	BRUSHHOLDER ASSY	65396	33	O-RING 3,68X1,78	56096	60	OUTPUTSPINDLE	70696
7	SET OF CARBON BRUSHES	64786	34	PARTITION FOR GREASE	70476	61	SHIFT KNOB ASSY	55476
8	AMP CONNECTOR PLATE	64796	35	BUSHING 0810	65006	62	COMPRESSION SPRING	56006
10	SCREW 2,9X13	56186	36	BUSHING 1210	56226	63	BALL	55676
11	SCREW M4X16	56286	37	SCREW 4,5X50	55696	64	O-RING 36X1,5	55686
12	HANDLE SET	70536	38	DOWEL PIN 5X16	65606	65	O-RING 28X1	55646
13	LOCKWASHER 4,3	64836	39	GEARCASE	70626	66	MOUNTING PLATE	70486
14	PLASTIC NUT M5	55936	40	WATER COLLECTOR	70636	67	SCREW M3X12	70496
15	CONNECTOR PLATE ASSY	70556	41	DIODE HOLDER	70646	68	SHIFTER KNOB	70506
16	SCREW 4,2X25	56136	42	DIODE	70656	69	BEARING SLEEVE	65346
17	SEAL 30X40X5	70566	43	SEAL 1/8	65086	70	BELLEVILLE WASHER 25	70516
18	SEAL 30X42X7	70576	44	BALL BEARING 6904	55806	71	AUXILIARY HANDLE ASSY	55526
19	CIRCLIPS 42/1,75	70586	46	SCREW M5X20	56296	72	CONNECTOR GARDENA	70716
20	SCREW M4X6	56266	47	LOCKWASHER 5	55716	73	HOSE ASSY	65286
21	SCREW 4,8X45	64876	48	INTERMEDIATE GEAR	71786	74	SEAL 1/4	65326
22	SUPPRESSOR	55416	49	CLUTCH-GEAR	70676	75	VALVE	65316
23	WASHER 4,3	56016	50	BRASS WASHER	65206			
24	SWITCH	55736	51	CLUTCH ASSY	70686			
25	LINE CORD W. GFI SWITCH	70596	52	HEX NUT M10X1	65196			
26	CABLE SLEEVE	55946	53	DRIVE PLATE	65186			
27	CABLE CLAMP	55906	54	BRASS WASHER	65176			

# RIDGID<sup>®</sup> HC-2 STAND

HC-2 STAND (Cat # 59016)		
No.	Description	Cat. No.
1	Grip	66236
2	Spring	66386
3	Vacuum release valve	66196
4	O-ring	66656
5	Vacuum block	66206
6	Screw	68006
7	Rubber	66616
8	Sticker	66486
9	Block	68886
10	Cyl.Bolt	68896
11	Orientulle	66736
12	Eye Bolt	66106
13	Base	68916
14	Adjustment bushing	66186
15	Nut	67896
16	Type plate	68926
17	Cyl.Bolt	68936
18	Washer	67936
19	Securing plate	66626
20	Srew	67976
21	Rubber vacuum base	68956
23	Security plate	68966
24	Screw	68976
25	Cyl.Bolt	68986
26	Screw	68996
27	Screw	69006
28	Carriage Complete	69016
29	Column	69026
31	Grip Support	66226
32	Screw	67846

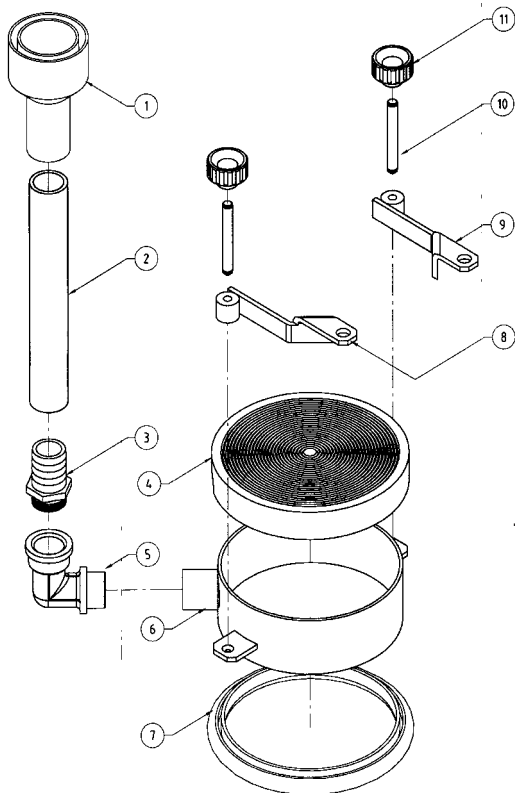


RIDGE TOOL COMPANY



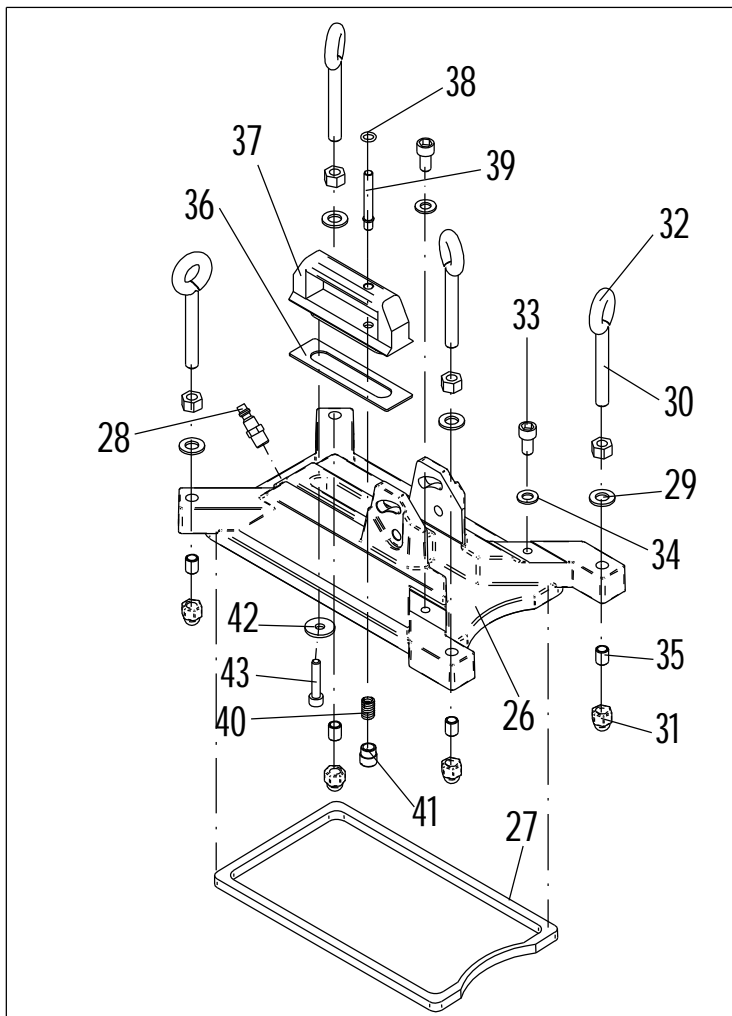
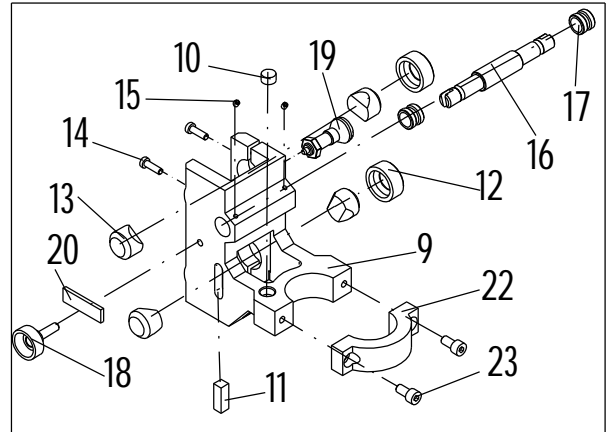
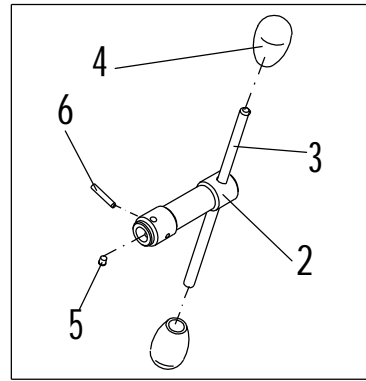
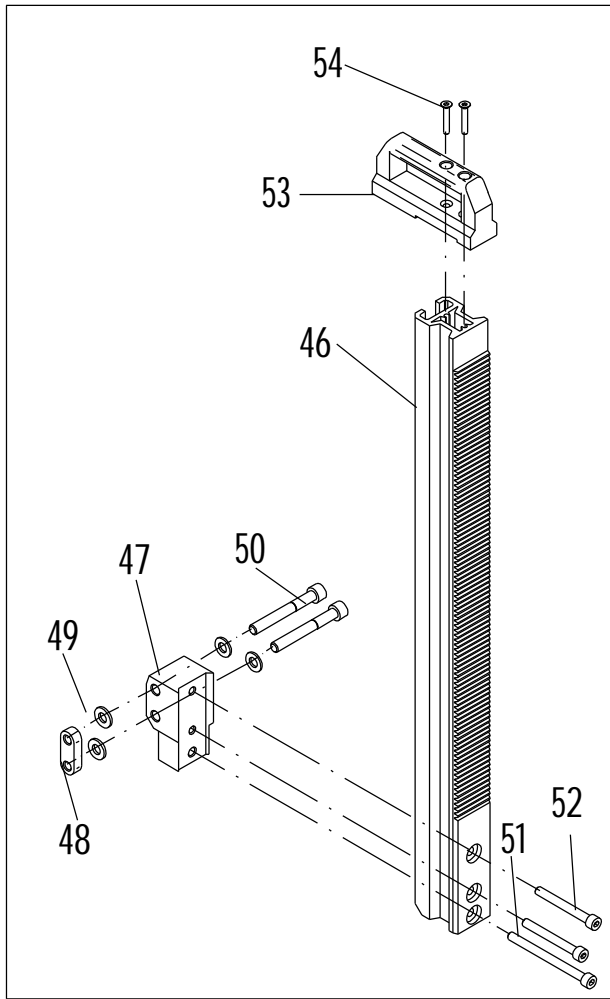
**CARRIAGE (# 69926)**

No.	Description	Cat. No.
1	Knob	66716
2	Handle	66566
3	Spindle cover	66576
4	Cyl.Bolt	67886
5	Lock	66856
6	Adjustment screw	66536
7	Sliding block	66526
8	Lock wing screw	66846
9	Carriage	69056
10	Cyl.bolt	66876
11	Bolt holder	66586
12	Spirit level	66676
13	Star knob	66706
14	Cyl.screw	67916
15	Cover	66726
16	Spindle bearing	66556
17	Spirit level	66696
18	Cyl.bolt	66806
19	Block	69066
20	Helicoil	67856
21	Spindle	66266



**WATER COLLECTOR**

No.	Description	Cat. No.
1	Hose tulle	66086
2	Hose	66646
3	Hose connection	66746
4	Water collector cover	68456
5	Angle piece	66756
6	Water collector ring	69076
7	Rubber	69086
8	Water collector clamp left	69096
9	Water collector clamp right	69106
10	Thread	66596
11	Knob	66706







Clutch assemblies for HC2	Catno	Clutch Torque
HC2 Serial number > 000200 02/00	71836	12.5 - 16 Nm
HC2 Old version serial number < 000200 02/00	57516	12.5 - 16 Nm
HC2D	57516	12.5 - 16 Nm
HC2W	70686	12.5 - 16 Nm
<b>Grease 1 kg HC-2</b>	72666	

890-029-793.60 # 71836

HC-2  
7RT30493



Serial n° > 000200 02/00

890-019-816.60 # 57516

HC-2 D  
73320493



Serial n° < 000200 02/00

890-029-426.60 # 70686

HC-2 W  
73421493



890-029-131.60

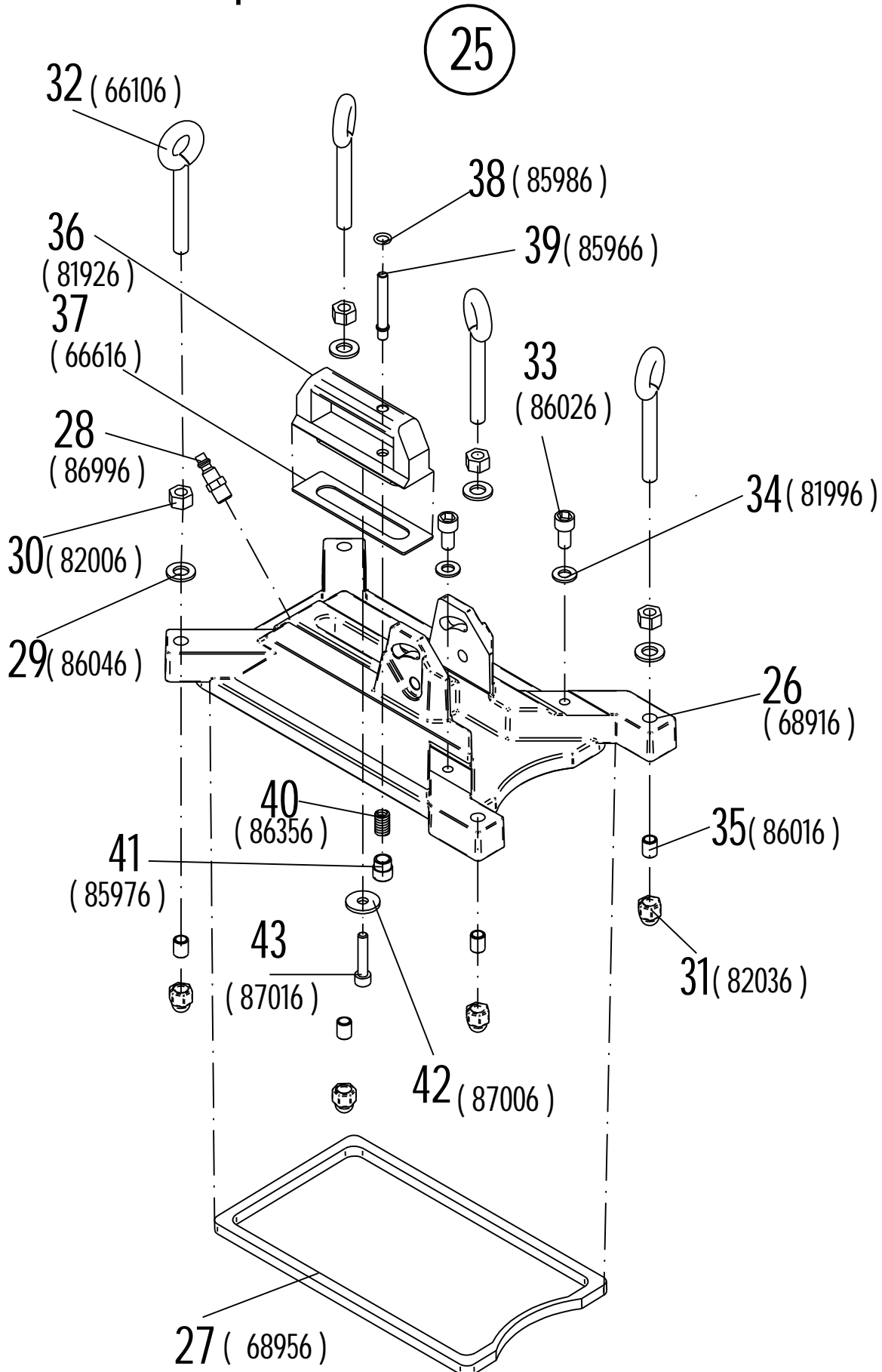
# 65756

RB 206/3  
73430493



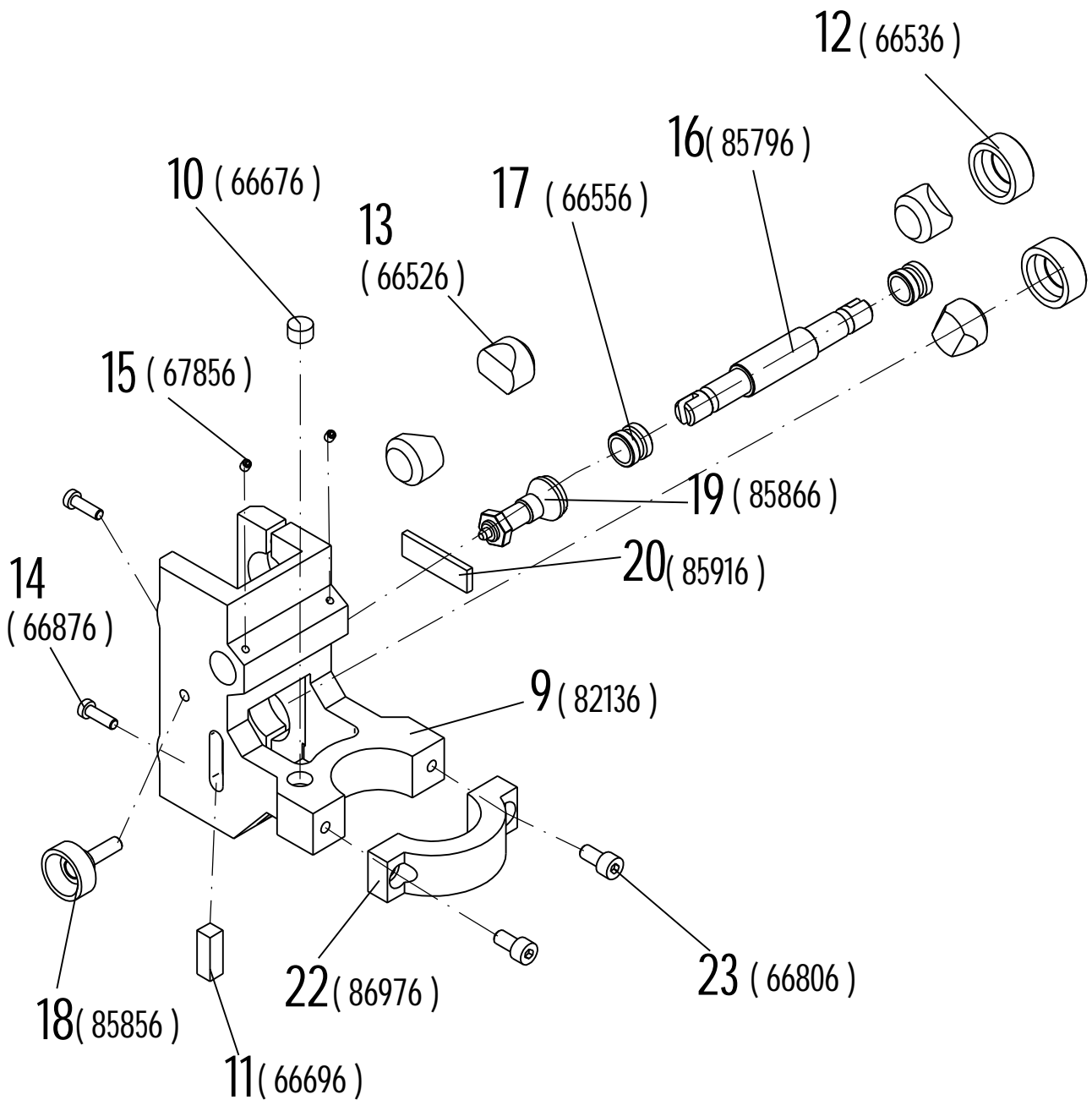


### Base , complete 87266



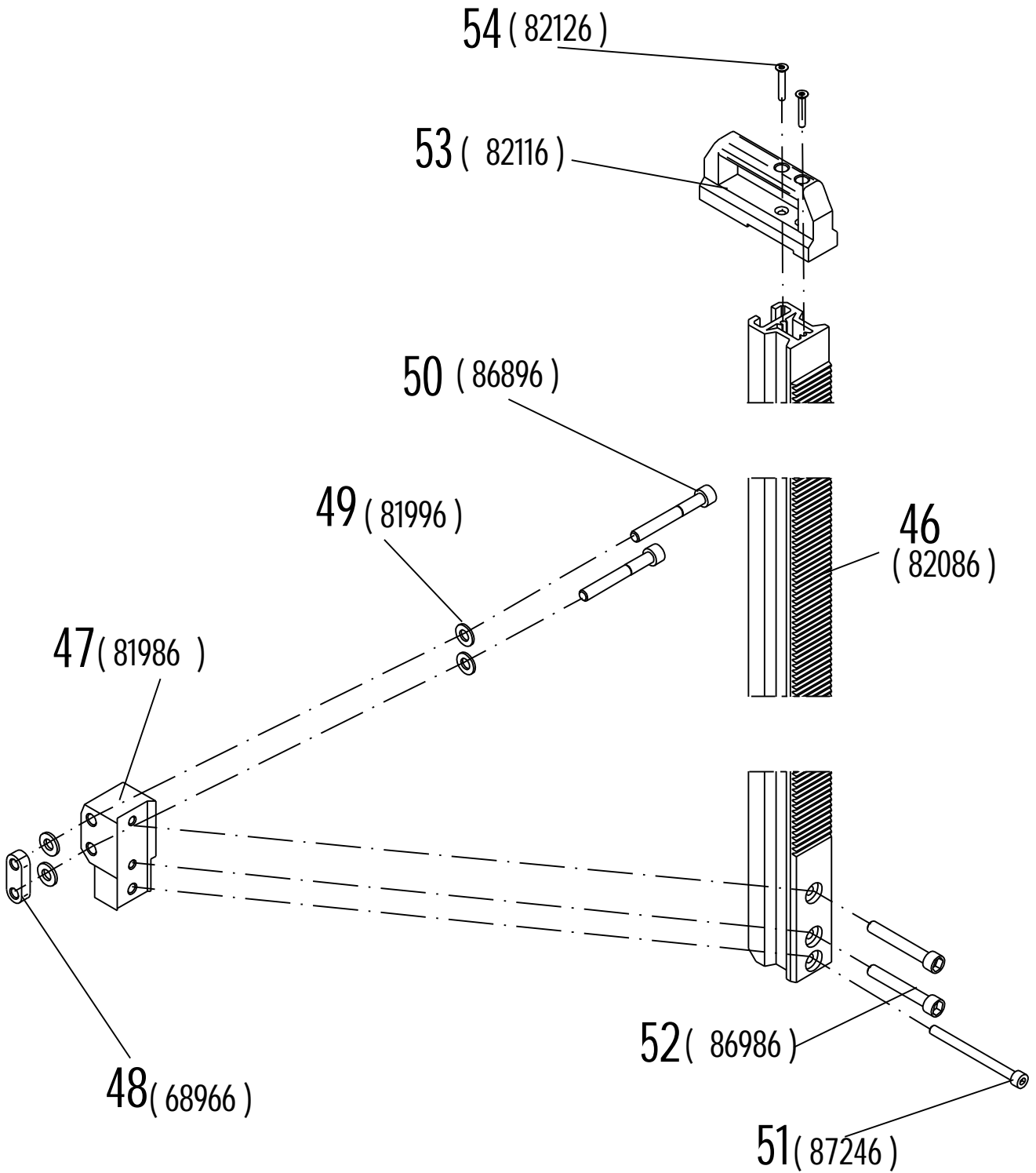
### Carriage complete 86966

8



### Column , complete 87026

45



Spindle , complete 87046

1

