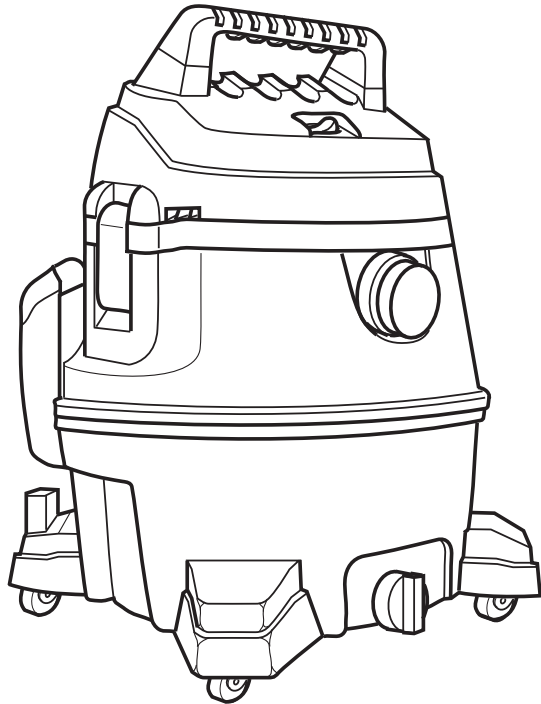


OWNER'S MANUAL

14 U.S. GALLON/ 53 LITER
PROFESSIONAL WET/DRY VAC
WITH CERTIFIED HEPA*
FILTRATION

RV2400HF0



FOR QUESTIONS OR INFORMATION CONTACT US AT
1-800-4-RIDGID (1-800-474-3443) from the US and Canada
01-800-701-9811 from Mexico
www.ridgidvac.com

▲ WARNING:

To reduce the risk of injury, the user must read and understand the owner's manual before using this product. For more information relating to the EPA Lead-Safe Renovation, Repair, and Painting rule, see www.epa.gov/lead.

Thank you for buying a RIDGID product.

* Tested to 99.97% @ 0.3 micron efficiency;
Lot tested by independent lab to IEST-RP-CC001.5.

- Español - página 19
- Français - page 37

SAVE THIS MANUAL FOR FUTURE REFERENCE

Table of Contents

Section	Page	Section	Page
Important Safety Instructions	2	Emptying the Drum	12
Grounding Instructions	4	Moving the Wet/Dry Vac	12
Introduction	5	Blowing Feature	13
Unpacking and Checking Carton Contents	5	Maintenance	14
Filter Installation	7	Filter	14
Drum/Caster Foot Assembly	8	Cleaning and Disinfecting After General Debris Cleanup	14
Accessory Storage Bag	9	Cleaning and Disinfecting After RRP Cleanup	14
Accessory Storage	9	Cord Maintenance	15
Cord Wrap	9	Storage	15
Wet/Dry Vac Assembly	10	Casters	15
Insert Hose	10	Repair Parts	16
Operation	11	Warranty	18
Vacuuming Dry Materials	12		
Vacuuming Liquids	12		

IMPORTANT SAFETY INSTRUCTIONS

Safety is a combination of using common sense, staying alert, and knowing how your Wet/Dry vacuum cleaner ("Vac") works.

Safety Signal Words

▲ DANGER: Indicates a hazardous situation which, if not avoided, will result in death or serious injury.

▲ WARNING: Indicates a hazardous situation which, if not avoided, could result in death or serious injury.

▲ CAUTION: Indicates a hazardous situation which, if not avoided, could result in minor or moderate injury.

When using your Vac, always follow basic safety precautions including the following:

▲ WARNING

- To reduce the risk of fire, electric shock, or injury:

- Read and understand this manual and all labels on the Vac before operating.
- Use only as described in this manual.
- Do not leave Vac running while unattended - you may fail to notice important signs indicating abnormal operation such as loss of suction, debris/liquid exiting exhaust, or abnormal motor noises. Immediately stop using Vac if you notice these signs.
- Do not leave Vac when plugged in. Unplug from outlet when not in use and before servicing.

- Sparks inside the motor can ignite flammable vapors or dust. To reduce the risk of fire or explosion, do not use near combustible liquids, gases, or dusts, such as gasoline or other fuels, lighter fluid, cleaners, oil-based paints, natural gas, coal dust, magnesium dust, grain dust, aluminum dust, or gun powder.
- Do not vacuum anything that is burning or smoking, such as cigarettes, matches, or hot ashes.
- When using for EPA RRP cleanup tasks, use only certified Ridgid HEPA filter, HF1000.
- Even when used with a HEPA filter, extremely small particles may pass through the filter. Always wear appropriate protective safety equipment.
- To reduce the risk of electric shock, do not expose to rain or allow liquid to enter motor compartment. Store indoors.
- Do not allow to be used as a toy. Close attention is necessary when used by or near children.
- Do not use with a torn filter or without filter installed except when vacuuming liquids as described in this manual. Dry debris ingested by the impeller may damage the motor or be exhausted into the air.
- Turn off Vac before unplugging.
- To reduce the risk of injury from accidental starting, unplug power cord before changing or cleaning filter.

- Do not unplug by pulling on cord. To unplug, grasp the plug, not the cord.
- Do not use with damaged cord, plug, or other parts. If your Vac is not working as it should, has missing parts, has been dropped, damaged, left outdoors, or dropped into water, call customer service.
- Do not pull or carry by cord, use cord as handle, close a door on cord, or pull cord around sharp edges or corners. Do not run Vac over cord. Keep cord away from heated surfaces.
- Do not handle plug, switch, or the Vac with wet hands.
- Use only extension cords that are rated for outdoor use and have a grounding conductor. Extension cords in poor condition or too small in wire size can pose fire and shock hazards. To reduce the risk of these hazards, be sure the cord is in good condition and that liquid does not contact the connection. Do not use an extension cord with conductors smaller than 16 gauge (AWG) in size. To reduce power loss, use a 14 gauge extension cord if 25 to 50 ft long and 12 gauge for 50 ft or longer.
- Connect only to a properly-grounded outlet. See grounding instructions.
- Do not put any object into ventilation openings. Do not vacuum with any ventilation openings blocked; keep free of dust, lint, hair, or anything that may reduce air flow.
- Keep hair, loose clothing, fingers, and all parts of body away from openings and moving parts.
- To reduce the risk of falls, use extra care when cleaning on stairs.
- To reduce the risk of back injury or falls, do not lift a Vac that is heavy with liquid or debris. Partially empty by scooping debris or draining liquid.
- To reduce the risk of personal injury or damage to Vac, use only Ridgid recommended accessories.
- When using as a blower:
 - Direct air discharge only at work area.
 - Do not direct air at bystanders.
 - Keep children away when blowing.
 - Do not use blower for any job except blowing dirt and debris.
 - Do not use as a sprayer.
 - Wear safety eyewear.
- To reduce the risk of eye injury, wear safety eyewear. The operation of any utility Vac or blower can result in foreign objects being blown into the eyes, which can result in severe eye damage.
- To reduce the risk of being struck by, or pulled down by, a rolling Vac, block the casters when using on any uneven or sloped surface.

⚠ CAUTION:

- To reduce the risk of hearing damage, wear ear protectors when using for extended time or in a noisy area.
- For dusty operations, use appropriate respirator/dust mask.
- Static shocks are common when the relative humidity of the air is low. Vacuuming fine debris with your Vac can deposit static charge on the hose or Vac. To reduce the frequency of static shocks or when using this Vac, add moisture to the air with a humidifier.

Observe the following warnings that appear on the motor housing of your Vac:

⚠ WARNING: For your own safety, read and understand owner's manual. Do not run unattended. Do not pick up hot ashes, coals, toxic, flammable or other hazardous materials. Do not use around explosive liquids or vapors.

WARNING: To reduce the risk of electric shock - do not expose to rain - store indoors.

NOTE: Certified filter HF1000 must be used to satisfy the EPA RRP clean-up rule.

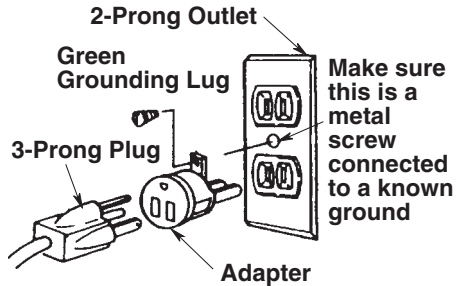
SAVE THIS MANUAL

Grounding Instructions

This appliance must be grounded. If it should malfunction or break down, grounding provides a path of least resistance for electric current to reduce the risk of electric shock. This appliance is equipped with a cord having an equipment-grounding conductor and grounding plug. The plug must be inserted into an appropriate outlet that is properly installed and grounded in accordance with all local codes and ordinances.

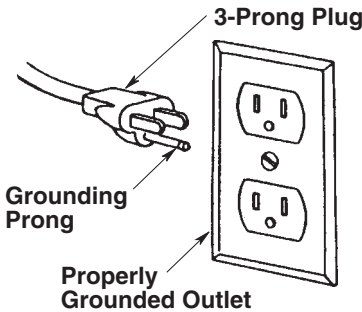
This Vac is for use on a nominal 120-volt circuit, and has a grounded plug that looks like the plug shown. A temporary adapter that looks like the adapter shown may be used to connect this plug to a 2-pole receptacle, as shown. If a properly grounded outlet is not available, the temporary adapter should be only until a properly grounded outlet can be installed by a qualified electrician.

⚠ WARNING:
 Improper connection of the equipment grounding conductor can result in a risk of electric shock. Check with a qualified electrician or service person if you are in doubt as to whether the outlet is properly grounded. Do not modify the plug provided with the appliance - if it will not fit the outlet, have a proper outlet installed by a qualified electrician.



The green-colored rigid ear, lug, or the like, extending from the adapter, must be connected to a permanent ground such as a properly grounded outlet box cover. Whenever the adapter is used, it must be held in place by a metal screw.

NOTE: In Canada, the use of a temporary adapter is not permitted by the Canadian Electrical Code.



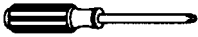
Introduction

This Vac is rated for commercial and household use. This Wet/Dry Vac is supplied with a certified HEPA dust filter and meets the EPA definition of a HEPA vacuum. It can be used for lead renovation work under the EPA's Lead

RRP rule. It can be used to pick up material like sawdust and gravel, as well as ultra fine material like drywall dust and cold fireplace ash. These types of materials are so small they would pass through traditional filters.

Unpacking and Checking Carton Contents

Tools Required



Phillips Screwdriver



Hammer



Mallet

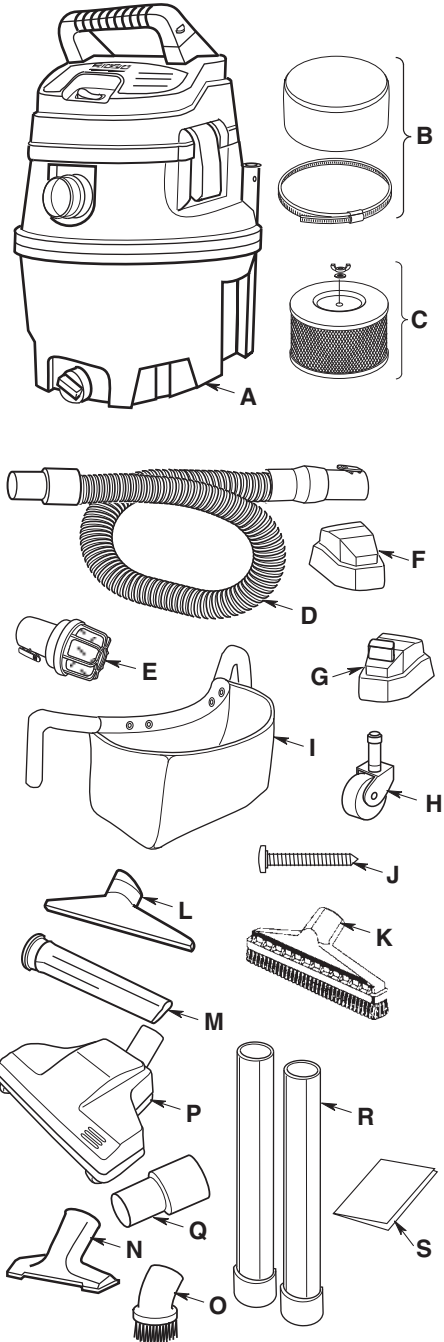
Refer to the assembly sketch for positioning of parts.

Remove contents of carton. Check each item against the Carton Contents List. Call 1-800-4-RIDGID (1-800-474-3443) from the US and Canada, 01-800-701-9811 from Mexico, or E-mail us at info@ridgid.com if any parts are damaged or missing.

Unpacking and Checking Carton Contents (cont.)

Carton Contents List

Key	Description	Qty
A	Wet/Dry Vac Assembly.....	1
B	Pre-Filter.....	1
C	Certified HEPA Filter.....	1
D	“Tug-A-Long Hose™”.....	1
E	Diffuser.....	1
F	Caster Feet, Front.....	2
G	Caster Feet, Rear.....	2
H	Casters.....	4
I	Accessory Storage Bag.....	1
J	Screw, Type AB #10 x 1-3/4.....	4
K	14” Floor Brush.....	1
L	Wet Nozzle.....	1
M	Crevice Tool.....	1
N	Utility Nozzle.....	1
O	Dusting Brush.....	1
P	Turbo “Beater Bar” Nozzle.....	1
Q	2.5” to 1.25” Adapter.....	1
R	Extension Wands.....	2
S	Owner’s Manual.....	1

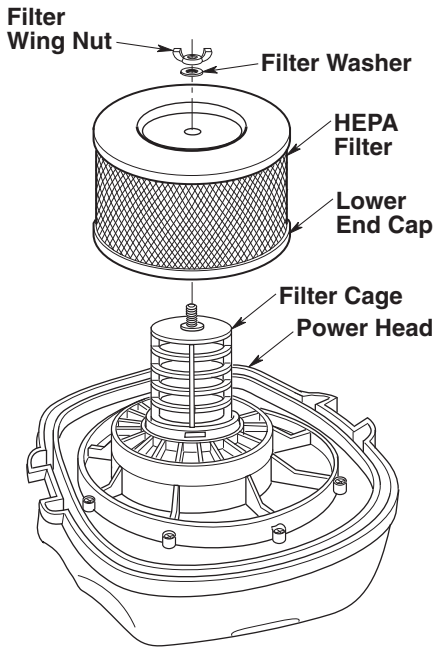


Filter Installation

1. Place the HEPA filter onto the filter cage until the HEPA filter is snug against the power head. Be sure the filter cage's threaded stud protrudes through the HEPA filter opening.

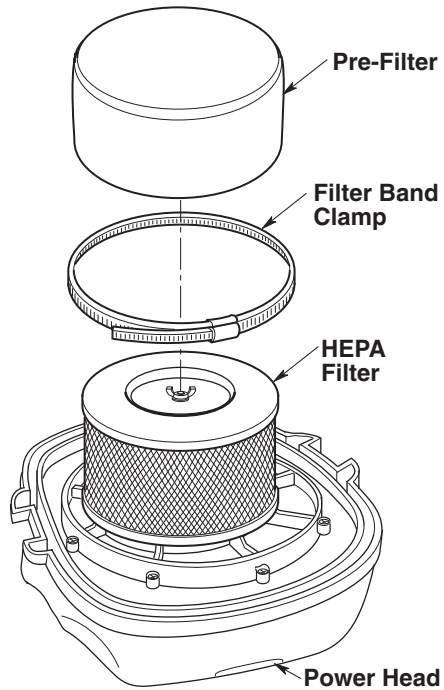
NOTE: Make sure the gasket on the HEPA filter and the sealing surface on the power head are not damaged and are clean and free of debris

2. Position the filter washer with the rubber side against the HEPA filter and then place the filter wing nut onto the threaded stud of the filter cage. Hand-tighten the filter nut to secure the HEPA filter to the power head.



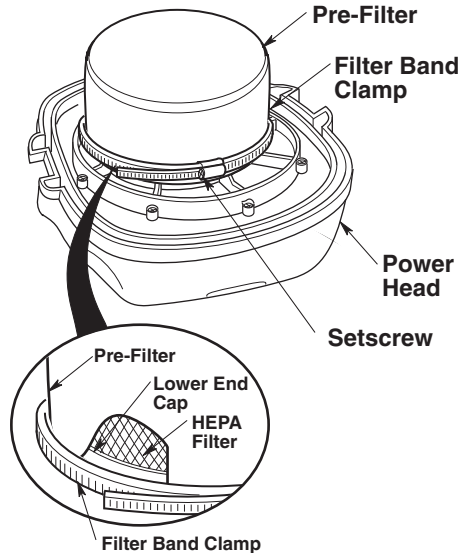
⚠ WARNING: Do not operate without filter cage and float, as they prevent liquid from entering the impeller and damaging the motor.

3. Slide the pre-filter onto the assembled HEPA filter.



4. Locate the filter band clamp on the pre-filter, over the lower end cap, as shown. Tighten with a screwdriver to secure.

NOTE: Damage to filter will occur if filter band clamp is tightened around the filter screen.

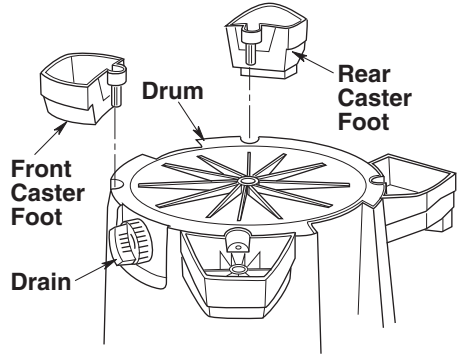


Drum/Caster Foot Assembly

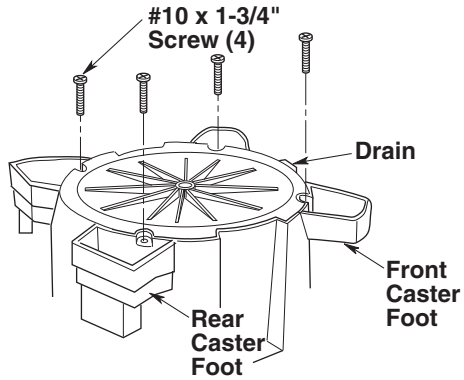
If any parts are missing or damaged contact Customer Service.

Do not assemble until you have all the parts.

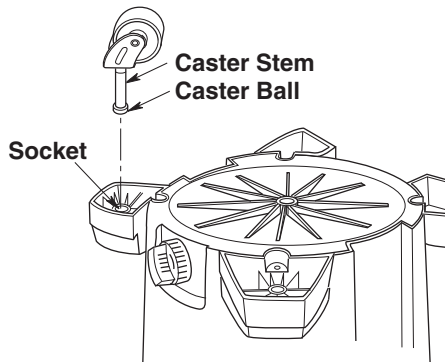
1. Insert the front and rear caster feet into the bottom of drum as shown. Light taps with a mallet or hammer may be needed to fully seat both caster feet.



2. Install (4) #10 x 1-3/4" screws into matching holes on both front and rear caster feet, securing them to the bottom of the drum. Tighten screws until just snug. Do not over tighten as this may tend to deform the caster feet.



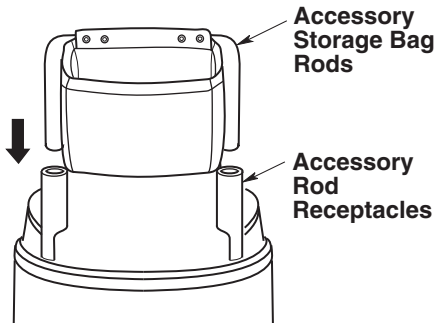
3. Insert the caster stem into each of the caster feet, as shown.
4. Push on the caster until the ball on the caster stem is inserted all the way into the socket. You will be able to hear the ball snap into the socket and the caster will swivel easily when positioning is correct.



Accessory Storage Bag

Installing Accessory Storage Bag

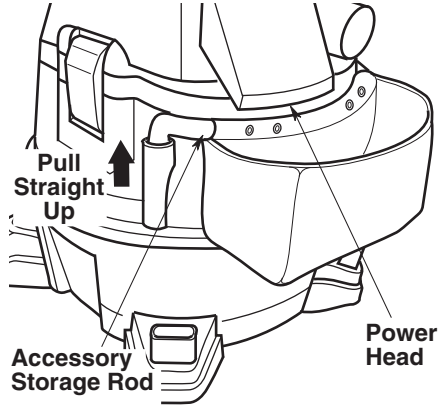
1. Position rods of accessory storage bag directly over accessory rod receptacles in dust drum.
2. Slide rods of accessory storage bag into accessory rod receptacles until fully seated.



Removing Accessory Storage Bag

1. Pull straight up on rods of accessory storage bag until bag is loose.

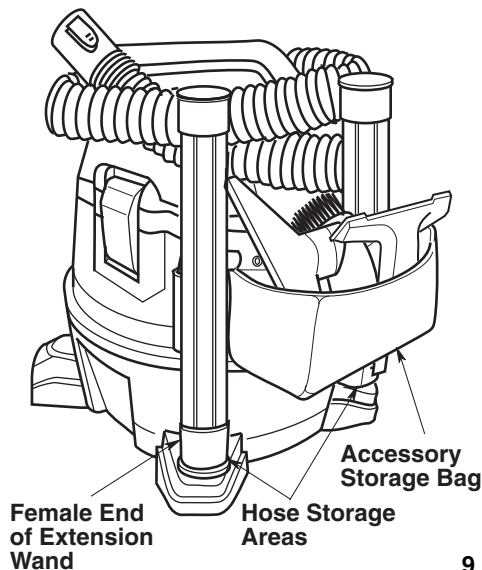
NOTE: Power head will need to be removed before accessory storage bag can be removed.



Accessory Storage

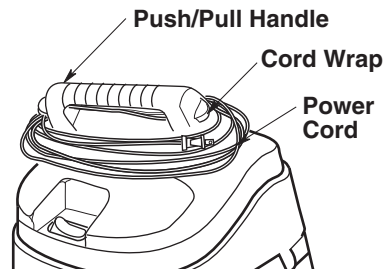
Your accessories may be stored in the accessory storage bag, or in the two locations on the rear caster feet.

NOTE: Insert female end of extension wand into the holder sleeve as shown.



Cord Wrap

When vacuuming is complete, unplug the cord and wrap it around the power assembly as shown. The cord should wrap under the pull handle (above the inlet) and around and under the cord wrap of the motor cover.

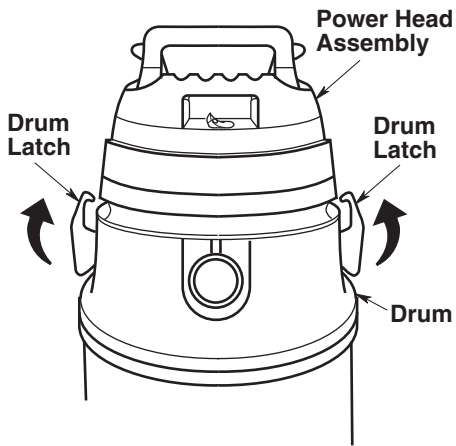


Wet/Dry Vac Assembly

1. Position the power head assembly on the drum assembly as shown (assembled earlier).

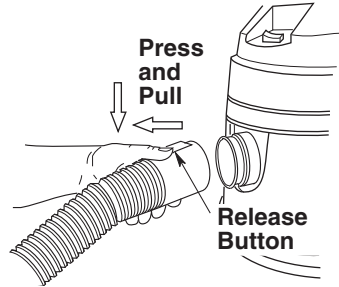
NOTE: Make sure the gasket on the power head and the sealing surface on the drum are not damaged and are clean and free of debris

2. Hook the latches over the tab on the power head assembly. Press the latches down until they snap closed against the sides of the drum.



Insert Hose

Insert the push button end of the "Tug-A-Long" hose into the inlet of the Vac. The hose should snap into place. To remove the hose from the Vac, press the release button in the hose assembly and pull the hose out of the Vac inlet, as shown.



Operation

▲ WARNING: To reduce the risk of fire, explosion, or damage to Vac:

- Do not leave Vac running while unattended - you may fail to notice important signs indicating abnormal operation such as loss of suction, debris/liquid exiting exhaust, or abnormal motor noises. Immediately stop using Vac if you notice these signs.
- Do not leave Vac plugged-in when not in use.
- Do not continue running when float has cut off suction.
- Do not operate Vac in areas with flammable gases, vapors or explosive dust in the air. Sparks inside the motor can ignite airborne flammables. Flammable gases and vapors include: lighter fluid, solvent-type cleaners, oil-based paints, gasoline, alcohol, or aerosol sprays. Flammable dusts include: coal, magnesium, aluminum, grain, or gun powder.
- Do not vacuum up explosive dusts, flammable liquids, or hot ashes.
- Do not use Vac as a sprayer.

▲ WARNING: To reduce the risk of electric shock or injury:

- Do not expose to rain or allow liquid to enter motor compartment. Store indoors.
- Do not handle plug, switch, or Vac with wet hands.
- Do not service Vac while it is plugged-in. If your Vac is not working as it should, has missing parts, has been dropped, damaged, left outdoors, or dropped into water, return it to an independent service center or call customer service.
- When using an extension cord, use only outdoor-rated cords that are in good condition. Do not allow the connection to come into contact with liquid.
- Always wear appropriate protective safety equipment when operating. For lead paint renovations, see the EPA's RRP guidelines.

After you plug the power cord into the outlet, turn the unit on by pushing the switch from position "O" to position "I". The symbols used on the switch actuator are international "On & Off" symbols:

○ = OFF | = ON

Familiarize yourself with the accessories included with the Vac. Each accessory may be used in various ways for vacuuming and blowing debris. Here is a list of some of the accessories and their uses.

Diffuser - Use to disperse the exhaust air stream while reducing noise. Insert into the blowing port.

Extension Wands - These wands can be connected together and provides additional length for more reach.

Turbo Nozzle - This air driven beater bar tool is used for large area clean-up on carpeted surfaces.

Hose - Provides transfer of vacuum or blowing capability to work site. Provides the means of attaching extension wands and nozzles.

Utility Nozzle - General purpose nozzle for most vacuuming applications.

Wet Nozzle - Used for wet pickup on smooth surfaces to pick up liquid and dry the surface in one stroke.

14" Floor Brush - Used for large area clean-ups on smooth surfaces.

Dusting Brush - Can be used with a 1-1/4" or a 2-1/2" hose with included adapter.

2.5" to 1.25" Adapter - Allows accessories to adapt to a 2-1/2" hose.

Operation (continued)

Vacuumping Dry Materials

1. The filter must always be in correct position to reduce the risk of leaks and possible damage to Vac.
2. Your Wet/Dry Vac comes with the certified HEPA filter installed. When using your Vac to pick up very fine dust, it will be necessary for you to empty the drum and clean the filter at more frequent intervals to maintain peak Vac performance. For best results, use the certified HEPA filter (HF1000) in conjunction with the pre-filter (HF0500) and the filter collection bag (VF3502).

NOTE: A dry filter is necessary to pick up dry material. If you use your Vac to pick up dust when the filter is wet, the filter will clog quickly and be very difficult to clean.

Vacuumping Liquids

1. When picking up small amounts of liquid the cartridge filter (HF1000) may be left in place, but the bag filter, if used, should be removed.
2. When picking up large amounts of liquid all filters can be removed.

IMPORTANT: While filters are removed this Vac no longer meets EPA RRP guidelines for dry pickup.

3. If filters are removed during liquid pickup, the float mechanism will rise automatically to cut off air-flow. When this happens, turn off the Vac, unplug the power cord, and empty the drum. You will know that the float has risen because Vac airflow ceases and the motor noise will become higher in pitch, due to increased motor speed.
4. After using the Vac to pick up liquids, the filters must be dried to reduce the risk of possible mildew and damage to the filters.

IMPORTANT: To reduce the risk of damage to the Vac, do not run motor with float in raised position.

Emptying the Drum

1. The Vac comes equipped with a drain for easy emptying of liquids. Simply unscrew the drain cap and lift the opposite side slightly to empty the drum.
2. Another option is to remove the power head assembly.
3. Lay power head assembly aside on a clean area while emptying drum.
4. Dump the drum contents into the proper waste disposal container.

▲ WARNING: To reduce the risk of back injury or falls, do not lift a Vac heavy with liquid or debris. Scoop or drain enough contents out to make the Vac light enough to lift comfortably.

Moving the Wet/Dry Vac

Should it become necessary to pick the Vac up to move it, the handle on the sides of the dust drum are used to lift. To maneuver the Vac, the push/pull handle on the power head of the unit should be used.

Operation (continued)

Blowing Feature

Your Vac features a blowing port. It can blow sawdust and other debris. Follow the steps below to use your Vac as a blower.

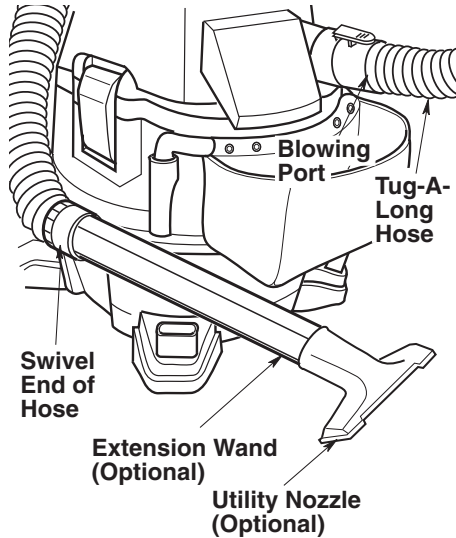
▲ WARNING: Always wear safety eyewear complying with ANSI Z87.1 (or in Canada, CSA Z94.3) before using as a blower.

▲ WARNING: To reduce the risk of injury to bystanders, keep them clear of blowing debris.

▲ CAUTION: Wear an appropriate respirator/dust mask if blowing creates dust which might be inhaled.

▲ CAUTION: To reduce the risk of hearing damage, wear ear protectors when using the Vac/Blower for extended time or in a noisy area.

1. Locate blowing port of your Vac.
2. Insert the locking end of the tug-along hose into the blowing port of the Vac. The hose should snap into place.
3. (Optional) Attach extension wand to opposite end of hose, then place the utility nozzle on the wand.
4. Turn Vac on and you are ready to use your Vac as a blower.



Maintenance

Filter

▲ WARNING: To reduce the risk of injury from accidental starting, unplug power cord before changing or cleaning filter.

Your 14 Gallon Professional Wet/Dry Vac is supplied with RIDGID's certified HEPA filter. Replacement certified HEPA filters are available where you purchased your Vac. Ask for the RIDGID HF1000 HEPA filter and HF0500 pre-filter.

NOTE: This filter is made of high quality HEPA media designed to stop very small particles of dust. The filter can be used for wet or dry pick up. Handle the filter carefully when removing to clean or installing it. Follow the EPA guidelines for RRP cleanup.

Filter Removal

Refer to page 7 "Filter Installation" Section of this manual.

Allow the filter to dry before reinstalling and storing the Vac.

IMPORTANT: After cleaning, check all filters for tears or small holes. Do not use a filter with holes or tears in it. Even a small hole can allow dust to pass through the filters. If a filter is damaged or worn, replace it immediately.

▲ WARNING: Do not operate without filter cage and float, as they prevent liquid from entering the impeller and damaging the motor.

IMPORTANT: To avoid damage to the blower wheel and motor, always reinstall the filter before using the Vac for dry material pick-up.

Cleaning and Disinfecting After General Debris Cleanup

To keep your Wet/Dry Vac looking its best, clean the outside with a cloth dampened with warm water and mild soap.

To clean the drum:

1. Dump debris out.
2. Wash drum thoroughly with warm water and mild soap.
3. Wipe out with dry cloth.

Before prolonged storage or as needed (i.e.; waste water pick up) the drum should be disinfected.

To disinfect the drum:

1. Pour 1 gallon of water and 1 teaspoon chlorine bleach into the drum.
2. Let solution stand for 20 minutes, carefully swishing every few minutes, making sure to wet all inside surfaces of the drum.
3. Empty drum after 20 minutes. Rinse with water until bleach smell is gone. Allow drum to dry completely before sealing the motor on the drum.

Cleaning and Disinfecting After RRP Cleanup

If you are using this vacuum in accordance with lead safe work practices under the EPA Renovation, Repair and Painting rule, follow the guidelines established by the EPA.

Maintenance (continued)

Cord Maintenance

When vacuuming is complete, unplug the cord and wrap it around the motor cover. If the power cord is damaged, it must be replaced by the manufacturer or their service agent or by similarly qualified personnel to reduce the risk of accident.

Storage

Before storing your Vac, the drum should be emptied and cleaned. The cord should be wrapped around the unit and the hose should be stored with the Vac.

Accessories should be kept in the same area as the Vac so they can be readily available. The Vac should be stored indoors.

Casters

If your casters are noisy, you may put a drop of oil on the roller shaft to make them quieter.

▲ WARNING: To assure product SAFETY and RELIABILITY, repairs and adjustments should be performed by Independent Service Centers, always using RIDGID replacement parts.

Repair Parts

14 U.S. Gallon/ 53 Liter Professional Wet/Dry Vac With Certified HEPA Filtration Stock Numbers RV2400HF (Model RV2400HF0)

RIDGID parts are available through the local RIDGID distributor

Always order by Part Number - Not by Key Number

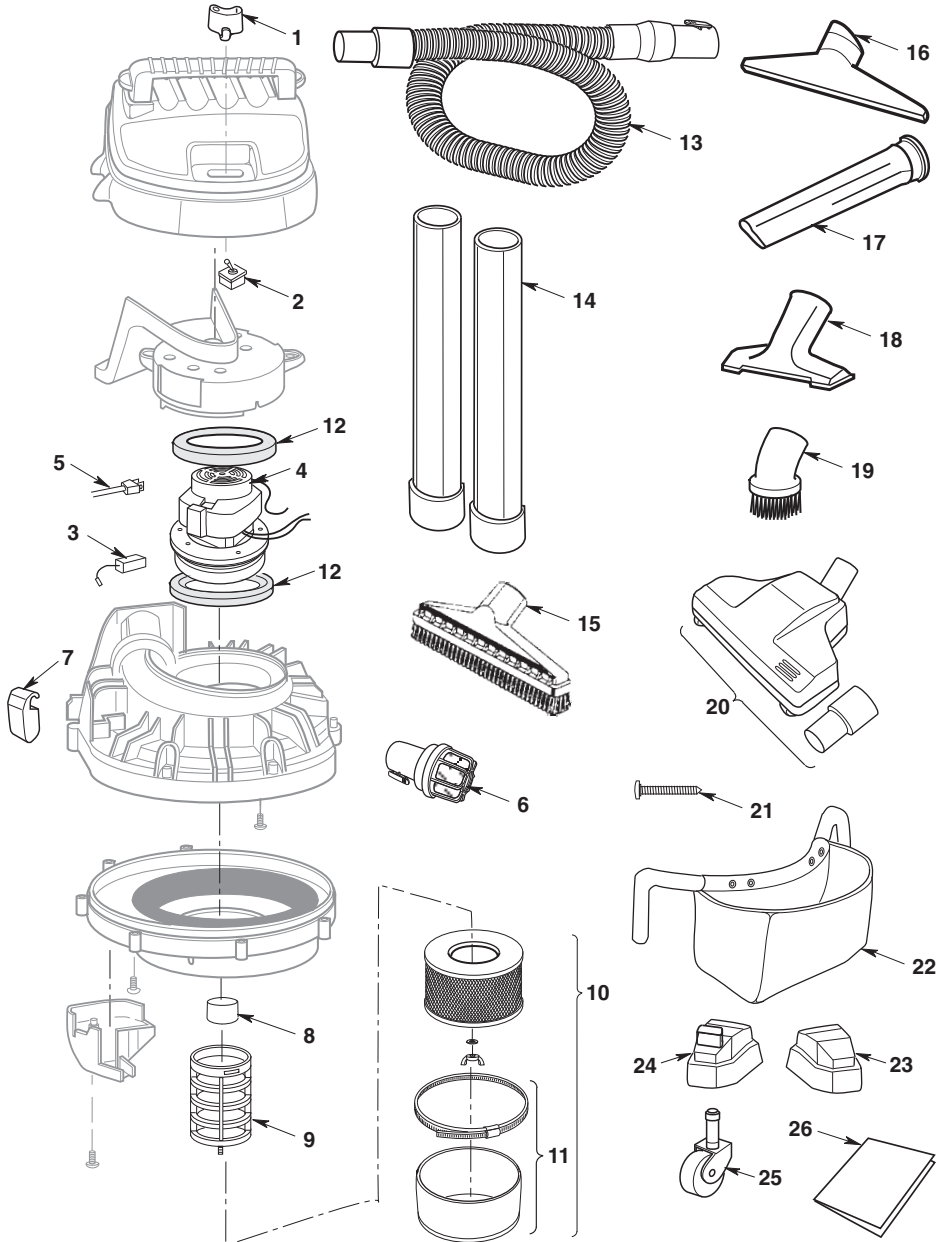
▲ WARNING: To reduce the risk of injury from electrical shock, unplug power cord before servicing the electrical parts of the Wet/Dry Vac.

Key No.	RV2400HF Part No.	Description
1	830564	Actuator, Switch
2	73180	Switch, Toggle
3	822374-8	Motor Brushes (1 set)
4	831567	Motor Assembly
5	831657	Cord Assembly
6	VT2525	Diffuser
7	833424	Drum Latch
8	831388	Float
9	833499	Filter Cage
10	HF1000	HEPA Filter, Washer, Wing Nut (also includes HF0500)
11	HF0500	Pre-Filter, Band Clamp
12	827415	Motor Gaskets (2)
13	831337-7	Tug-A-Long Hose
14	VT2508	Extension Wand
15	VT2514	Floor Brush
16	VT2510	Wet Nozzle
17	VT2502	Crevice Tool
18	VT2509	Utility Nozzle
19	VT2501	Dusting Brush
20	VT2571	Turbo "Beater Bar" Nozzle with Adapter
21	820563-12	Screw, Type AB#10 x 1-3/4"
22	830717	Accessory Storage Bag
23	830715	Caster Feet (Front)
24	830716	Caster Feet (Rear)
25	73102	Casters
26	SP6775	Owner's Manual

Repair Parts (continued)

RIDGID parts are available on-line at www.ridgidparts.com

⚠ WARNING: To reduce the risk of injury from electrical shock, unplug power cord before servicing the electrical parts of the Wet/Dry Vac.





• **What is covered**

RIDGID® Wet/Dry Vacs are warranted to be free of defects in workmanship and material.

• **How long coverage lasts**

This warranty lasts for the lifetime of the RIDGID® Wet/Dry Vac.

• **How to obtain service**

To obtain the benefit of this warranty, deliver via prepaid transportation the complete product to RIDGE TOOL COMPANY, Elyria, Ohio, or any authorized RIDGID® INDEPENDENT SERVICE CENTER. Pipe wrenches and other hand tools should be returned to the place of purchase.

• **What we will do to correct problems**

Warranted Wet/Dry Vacs will be repaired or replaced, at Ridge Tool Company's option, and returned at no charge; or, if after three attempts to repair or replace during the warranty period the Wet/Dry Vac is still defective, you can elect to receive a full refund of your purchase price.

• **What is not covered**

Failures due to misuse, abuse or normal wear and tear are not covered by this warranty. **RIDGE TOOL COMPANY SHALL NOT BE RESPONSIBLE FOR ANY INCIDENTAL OR CONSEQUENTIAL DAMAGES.**

• **How local laws relate to the warranty**

Some states do not allow the exclusion or limitation of incidental or consequential damages, so the above limitation or exclusion may not apply to you. This warranty gives you specific rights, and you may also have other rights which vary from state to state, province to province, or country to country.

• **No other express warranty applies**

This FULL LIFETIME WARRANTY is the sole and exclusive warranty for RIDGID® Wet/Dry Vacs. No employee, agent, dealer, or other person is authorized to alter this warranty or make any other warranty on behalf of Ridge Tool Company.

Stock No. RV2400HF
Model No. RV2400HF0
Serial Number _____

Model and serial numbers may be found on the back of power head assembly. You should record both model and serial numbers in a safe place for future use.

QUESTIONS OR COMMENTS? CONTACT US AT

www.ridgidvacs.com

In the U.S. and Canada, Call 1-800-4-RIDGID

In Mexico, Call 01-800-701-9811



EMERSON™
Professional Tools

Emerson Tool Company
A Division Of
Emerson Electric Co.

© 2011 Emerson

Part No. SP6775

Form No. SP6775-1

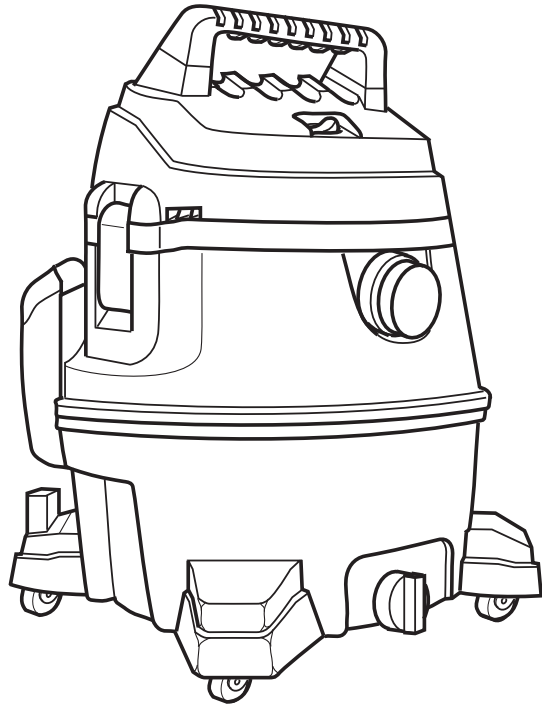
Printed in Mexico 08/11



MANUAL DEL USUARIO

**ASPIRADORA PARA MOJADO/SECO
PROFESIONAL DE 14 GALONES/53 LITROS
CON FILTRACIÓN HEPA* CERTIFICADA**

RV2400HF0



**¿PREGUNTAS O COMENTARIOS? COMUNÍQUESE CON NOSOTROS EN
1-800-4-RIDGID (1-800-474-3443) desde los EE.UU. y Canadá
01-800-701-9811 desde México
www.ridgidvac.com**

▲ ADVERTENCIA: Para reducir el riesgo de lesiones, el usuario debe leer y entender el manual del usuario antes de utilizar este producto. Para obtener más información acerca de la regla de la EPA sobre renovación, reparación y pintura para la seguridad relacionada con el plomo, visite www.epa.gov/lead.

Gracias por comprar un producto RIDGID.

* Comprobado hasta un 99.97% a una eficiencia de 0.3 micrones; lote sometido a pruebas por un laboratorio independiente conforme a IEST-RP-CC001.5.

• Français - page 37

GUARDE ESTE MANUAL PARA REFERENCIA FUTURA

No. de pieza SP6775

Impreso en México

Índice

Sección	Página	Sección	Página
Instrucciones de seguridad importantes	20	Recogida de líquidos con la aspiradora	30
Instrucciones de conexión a tierra	22	Vaciado del tambor	30
Introducción	23	Traslado de la aspiradora para mojado/seco	30
Desempaquetado y comprobación del contenido de la caja de cartón	23	Dispositivo de soplado	31
Instalación del filtro	25	Mantenimiento	32
Ensamblaje del tambor y los pies de ruedecilla	26	Filtro	32
Bolsa de almacenamiento de accesorios	27	Limpieza y desinfección después de la recogida de residuos generales	32
Almacenamiento de accesorios	27	Limpieza y desinfección después de la recogida en el caso de RRP	32
Enrollado del cordón	27	Mantenimiento del cordón	33
Ensamblaje de la aspiradora para mojado/seco	28	Almacenamiento	33
Introduzca la manguera	28	Ruedecillas	33
Funcionamiento	29	Piezas de repuesto	34
Recogida de materiales secos con la aspiradora	30	Garantía	36

INSTRUCCIONES DE SEGURIDAD IMPORTANTES

La seguridad es una combinación de sentido común, permanecer alerta y saber cómo funciona la aspiradora para mojado/seco (“la aspiradora”).

Palabras de señal de seguridad

▲ PELIGRO: indica una situación peligrosa que, si no se evita, causará la muerte o lesiones graves.

▲ ADVERTENCIA: indica una situación peligrosa que, si no se evita, podría causar la muerte o lesiones graves.

▲ PRECAUCIÓN: indica una situación peligrosa que, si no se evita, pudiera causar lesiones leves o moderadas.

Cuando utilice la aspiradora, siga siempre las precauciones básicas de seguridad, incluyendo las siguientes:

▲ ADVERTENCIA

– Para reducir el riesgo de incendio, sacudidas eléctricas o lesiones:

- Lea y entienda este manual y todas las etiquetas que están colocadas en la aspiradora antes de utilizarla
- Utilice la aspiradora únicamente de la manera que se describe en este manual.
- No deje la aspiradora en marcha mientras esté desatendida. Usted podría no notar señales importantes que indiquen un funcionamiento anormal, tal como pérdida de succión, residuos o líquido que salen por el escape o ruidos anormales del motor. Deje de usar la aspiradora inmediatamente si observa estas señales.
- No abandone la aspiradora cuando esté enchufada. Desenchúfela del tomacorriente cuando no la esté utilizando y antes de realizar servicio de revisión.

- Las chispas que se producen en el interior del motor pueden incendiar los vapores inflamables o el polvo. Para reducir el riesgo de incendio o explosión: No use la aspiradora cerca de líquidos, gases, o polvos combustibles como gasolina u otros combustibles, líquido encendedor, limpiadores, pinturas a base de aceite, gas natural, hidrógeno, polvo de carbón, polvo de magnesio, polvo de aluminio, polvo de granos de cereal o pólvora.
- No recoja con la aspiradora nada que esté ardiendo o humeando, como cigarrillos, fósforos o cenizas calientes.
- Cuando utilice la aspiradora para tareas de recogida en el caso de RRP según la regla de la EPA, use únicamente el filtro HEPA certificado Ridgid HF1000.
- Incluso cuando la aspiradora se utilice con un filtro HEPA, las partículas sumamente pequeñas pueden pasar a través del filtro. Use siempre equipo protector de seguridad apropiado.
- Para reducir el riesgo de descargas eléctricas, no exponga la aspiradora a la lluvia ni deje que entren líquidos en el compartimiento del motor. Guarde la aspiradora en un lugar interior.
- No permita que la aspiradora se utilice como un juguete. Se necesita prestar máxima atención cuando sea utilizada por niños o cerca de éstos.
- No use la aspiradora con un filtro desgarrado o sin tener el filtro instalado, excepto cuando recoja con ella líquidos de la manera que se describe en este manual. Los residuos secos absorbidos por el impulsor podrían dañar el motor o ser expulsados de vuelta al aire.
- Apague la aspiradora antes de desenchufarla.
- Para reducir el riesgo de lesiones debidas a un arranque accidental, desenchufe el cordón de energía antes de cambiar o limpiar el filtro.

- No desenchufe la aspiradora tirando del cordón. Para desenchufarla, agarre el enchufe y no el cordón.
- No use la aspiradora con el cordón dañado, el enchufe dañado u otras piezas dañadas. Si la aspiradora no funciona como debe, le faltan piezas, se ha caído, ha sido dañada, se ha dejado a la intemperie o se ha caído al agua, devuélvala a un Centro de Servicio autorizado.
- No tire de la aspiradora usando el cordón ni la lleve por el cordón, ni use el cordón como asa, ni cierre una puerta sobre el cordón, ni tire del cordón alrededor de bordes o esquinas afilados. No pase la aspiradora en marcha sobre el cordón. Mantenga el cordón alejado de las superficies calientes.
- No maneje el enchufe, el interruptor o la aspiradora con las manos mojadas.
- Utilice únicamente cordones de extensión que tengan capacidad nominal para uso a la intemperie. Los cordones de extensión que estén en malas condiciones o tengan un tamaño de alambre demasiado pequeño pueden crear peligros de incendio y descargas eléctricas. Para reducir el riesgo de estos peligros, asegúrese de que el cordón esté en buenas condiciones y que el líquido no entre en contacto con la conexión. No utilice un cordón de extensión que tenga conductores con un diámetro menor al calibre 16 (AWG). Para reducir la pérdida de potencia, utilice un cordón de extensión de calibre 14 si la longitud es de 25 a 50 pies, y de calibre 12 si la longitud es de 50 pies o más.
- Conecte la aspiradora solamente a un tomacorriente conectado a tierra adecuadamente. Consulte las instrucciones de conexión a tierra.
- No ponga ningún objeto en las aberturas de ventilación. No recoja nada con la aspiradora cuando cualquiera de las aberturas de ventilación esté bloqueada; mantenga dichas aberturas libres de polvo, pelusa, pelo o cualquier cosa que pueda reducir el flujo de aire.
- Mantenga el pelo, la ropa holgada, los dedos y todas las partes del cuerpo alejados de las aberturas y de las piezas móviles.
- Para reducir el riesgo de caídas, tenga cuidado adicional al limpiar en escaleras.
- Para reducir el riesgo de lesiones de espalda o caídas, no levante una aspiradora que pese mucho debido a que contiene líquido o residuos. Saque parte del contenido de la aspiradora o drénela parcialmente.
- Para reducir el riesgo de lesiones corporales o daños a la aspiradora, utilice únicamente accesorios recomendados por Ridgid.
- Cuando utilice la aspiradora como soplador :
 - Dirija la descarga de aire solamente hacia el área de trabajo.
 - No dirija el aire hacia las personas que estén presentes.
 - Mantenga alejados a los niños durante la operación de soplado.
 - No utilice el soplador para trabajos que no sean soplar suciedad y residuos.
 - No use la aspiradora como rociador.
 - Use protección ocular de seguridad.
- Para reducir el riesgo de lesiones en los ojos, use protección ocular de seguridad. La utilización de cualquier aspiradora utilitaria o soplador utilitario puede hacer que se soplen objetos extraños hacia los ojos, lo cual puede causar daños graves en los ojos.
- Para reducir el riesgo de que una aspiradora rodante le golpee o tire de usted, bloquee las ruedecillas cuando utilice la unidad en cualquier superficie desigual o en pendiente.

⚠ PRECAUCIÓN:

- Para reducir el riesgo de daños a la audición, use protectores de oídos cuando utilice la aspiradora durante muchas horas seguidas o cuando la emplee en un área ruidosa.
- En el caso de operaciones que generen polvo, utilice un respirador adecuado o una máscara antipolvo apropiada.
- Las descargas de estática son comunes cuando la humedad relativa del aire es baja. Si recoge residuos finos con la aspiradora, se puede depositar carga estática en la manguera o en la aspiradora. El mejor remedio para reducir la frecuencia de las descargas de estática en su casa o cuando use esta aspiradora es añadir humedad al aire con un humidificador.

Siga las siguientes advertencias que aparecen en la caja del motor de la aspiradora.

⚠ ADVERTENCIA: Para su propia seguridad, lea y entienda el manual del operador. No tenga en marcha la aspiradora desatendida. No recoja cenizas calientes, carbón caliente, materiales tóxicos ni inflamables ni otros materiales peligrosos. No use la aspiradora alrededor de líquidos o vapores explosivos.

ADVERTENCIA: Para reducir el riesgo de sacudidas eléctricas, no exponga la aspiradora a la lluvia y almacénela en interiores.

NOTA: El filtro certificado HF1000 se debe utilizar para satisfacer la regla de recogida en el caso de RRP de la EPA.

GUARDE ESTE MANUAL

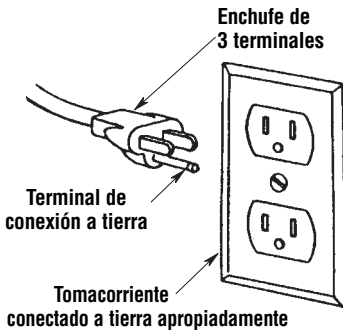
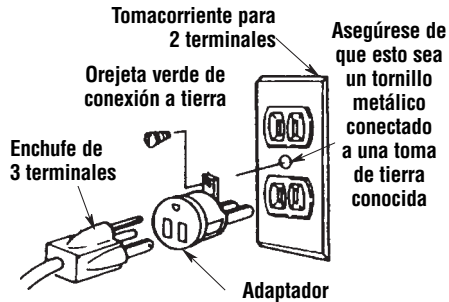
Instrucciones de conexión a tierra

Este electrodoméstico se debe conectar a tierra. En caso de mal funcionamiento o avería, la conexión a tierra proporciona una ruta de resistencia mínima para la corriente eléctrica con el fin de reducir el riesgo de sacudidas eléctricas. Este electrodoméstico está equipado con un cordón que tiene un conductor de conexión a tierra del equipo y un enchufe de conexión a tierra. El enchufe debe introducirse en un tomacorriente apropiado que esté instalado correctamente y conectado a tierra adecuadamente, de acuerdo con todos los códigos y ordenanzas locales.

Este electrodoméstico está diseñado para utilizarse en un circuito de 120 V nominales y tiene un enchufe conectado a tierra que tiene un aspecto como el del enchufe que se muestra en la ilustración. Se puede utilizar un adaptador temporal, que tenga un aspecto como el del adaptador que se muestra en la ilustración, para conectar este enchufe a un receptáculo de dos polos, de la manera que se muestra en la ilustración, si no se dispone de un tomacorriente conectado a tierra apropiadamente. El adaptador temporal debe utilizarse únicamente hasta que un electricista calificado pueda instalar un tomacorriente conectado a tierra apropiadamente.

⚠ ADVERTENCIA

La conexión incorrecta del conductor de conexión a tierra del equipo puede causar un riesgo de sacudidas eléctricas. Consulte a un electricista calificado o a una persona de servicio competente si tiene dudas sobre si el tomacorriente está conectado a tierra apropiadamente. No modifique el enchufe suministrado con el electrodoméstico. Si el enchufe no cabe en el tomacorriente, haga que un electricista calificado instale un tomacorriente apropiado.



La orejeta, lengüeta o pieza similar rígida de color verde que sobresale del adaptador se debe conectar a una toma de tierra permanente, como por ejemplo una tapa de caja tomacorriente conectada a tierra apropiadamente. Siempre que se utilice el adaptador, se debe sujetar en la posición correcta con un tornillo metálico.

NOTA: En Canadá, el uso de un adaptador temporal no está permitido por el Código Eléctrico Canadiense.

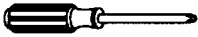
Introducción

Esta aspiradora para mojado/seco tiene capacidad para uso comercial y doméstico. Esta aspiradora para mojado/seco se suministra con un filtro para polvo HEPA certificado y cumple con la definición de la EPA de aspiradora HEPA. Se puede utilizar para realizar trabajo de renovación conforme a la

regla de RRP relacionada con el plomo de la EPA. Se puede emplear para recoger materiales como aserrín y grava, así como material ultrafino, tal como polvo de panel de yeso y ceniza de chimenea fría. Estos tipos de materiales son tan pequeños que pasarían a través de los filtros tradicionales.

Desempaquetado y comprobación del contenido de la caja de cartón

Herramientas necesarias



Destornillador Phillips



Martillo



Mazo

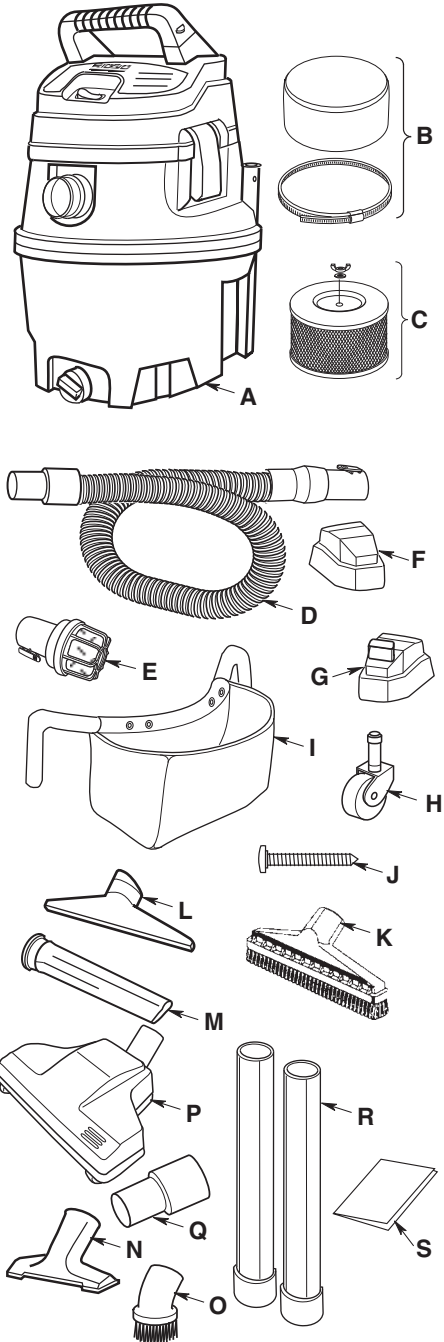
Consulte el dibujo de ensamblaje para averiguar el posicionamiento de las piezas.

Saque todo el contenido de la caja de cartón. Asegúrese de que no falte ningún artículo utilizando la lista del contenido de la caja. Llame al 1-800-4-RIDGID (1-800-474-3443) desde los EE.UU. y Canadá, y al 01-800-701-9811 desde México, o envíenos un correo electrónico a info@ridgid.com si cualquier pieza está dañada o falta.

Desempaquetado y comprobación del contenido de la caja de cartón (cont.)

Lista del contenido de la caja de cartón

Clave	Descripción	Cant.
A	Ensamblaje de la aspiradora para mojado/seco	1
B	Prefiltro	1
C	Filtro HEPA certificado	1
D	Maguera arrastrable Tug-A-Long™	1
E	Difusor	1
F	Pies de ruedecilla delanteros	2
G	Pies de ruedecilla traseros	2
H	Ruedecillas	4
I	Bolsa de almacenamiento de accesorios ..	1
J	Tornillo de tipo AB No. 10 x 1-3/4	4
K	Cepillo para pisos de 14 pulg.	1
L	Boquilla para mojado	1
M	Boquilla rinconera	1
N	Boquilla de uso general.....	1
O	Cepillo para polvo	1
P	Boquilla turbo tipo "barra agitadora"	1
Q	Adaptador de 2.5 a 1.25 pulgadas	1
R	Tubos extensores	2
S	Manual del usuario.....	1

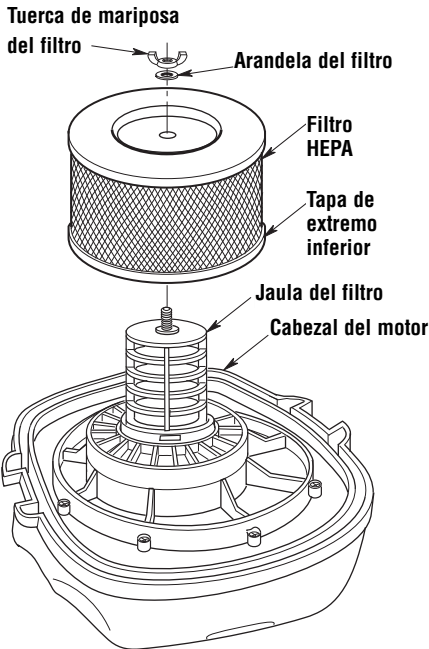


Instalación del filtro

1. Coloque el filtro HEPA sobre la jaula del filtro hasta que dicho filtro HEPA esté perfectamente ajustado contra el cabezal del motor.
Asegúrese de que el espárrago roscado de la jaula del filtro sobresalga a través de la abertura del filtro HEPA.

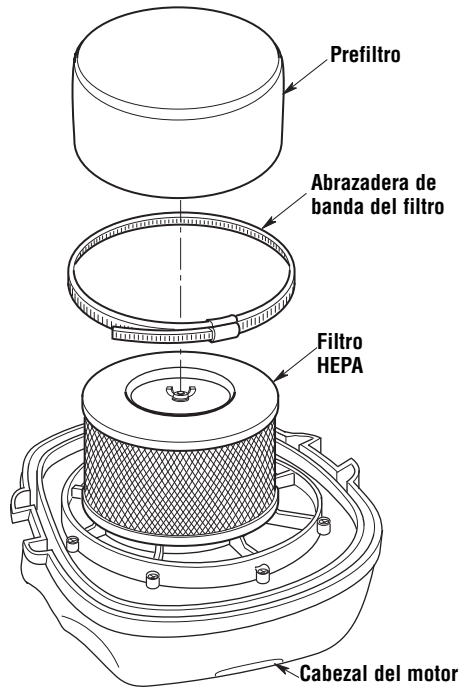
NOTA: Asegúrese de que la empaquetadura ubicada sobre el filtro HEPA y la superficie sellante del cabezal del motor no estén dañadas y estén limpias y libres de residuos.

2. Posicione la arandela del filtro con el lado de goma contra el filtro HEPA y luego coloque la tuerca de mariposa del filtro en el espárrago roscado de la jaula del filtro. Apriete a mano la tuerca del filtro para sujetar firmemente el filtro HEPA al cabezal del motor.



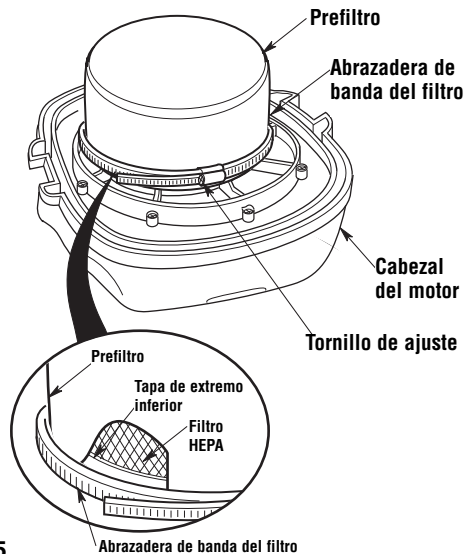
⚠ ADVERTENCIA: No utilice la aspiradora sin la jaula del filtro y el flotador, ya que estas piezas evitan que entre líquido en el impulsor y dañe el motor.

3. Deslice el prefiltro sobre el filtro HEPA ensamblado.



4. Ubique la abrazadera de banda del filtro sobre la tapa de extremo inferior, de la manera que se muestra en la ilustración. Apriétela con un destornillador para asegurarla.

NOTA: Se producirán daños en el filtro si la abrazadera de banda del filtro se aprieta alrededor del tamiz del filtro.

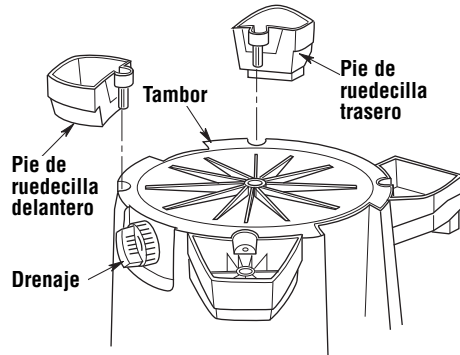


Ensamblaje del tambor y los pies de ruedecilla

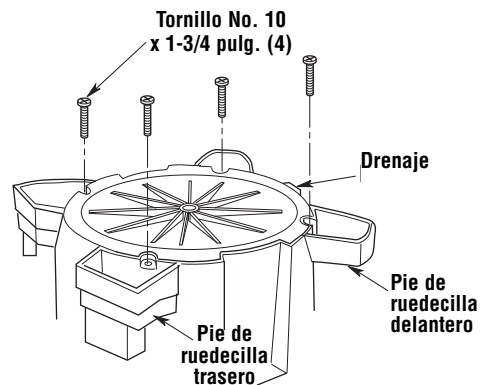
Si cualquiera de las piezas falta o está dañada, póngase en contacto con Servicio al Cliente.

No monte la aspiradora hasta que tenga todas las piezas.

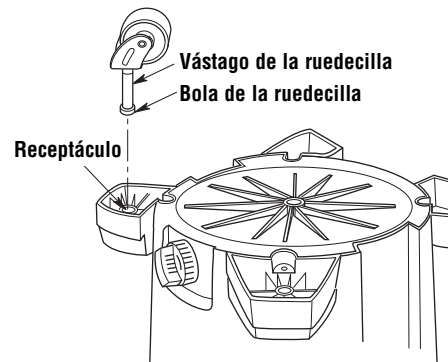
1. Introduzca los pies de ruedecilla delanteros y traseros en la parte inferior del tambor, de la manera que se muestra en la ilustración. Es posible que sea necesario dar unos golpes ligeros con un mazo o un martillo para asentar completamente ambos pies de ruedecilla.



2. Instale (4) tornillos No. 10 x 1-3/4 de pulgada en los agujeros correspondientes que están tanto en los pies de ruedecilla delanteros como traseros, sujetándolos firmemente a la parte inferior del tambor. Apriete los tornillos sólo hasta que queden perfectamente ajustados. No los apriete demasiado, ya que esto podría tender a deformar los pies de ruedecilla.



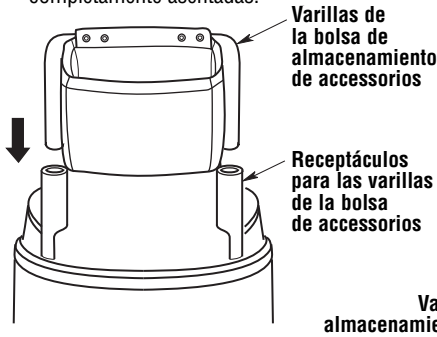
3. Introduzca el vástago de ruedecilla en cada pie de ruedecilla, de la manera que se muestra en la ilustración.
4. Empuje sobre la ruedecilla hasta que la bola del vástago de la ruedecilla esté introducida completamente en el receptáculo. Usted podrá oír como la bola se acopla a presión en el receptáculo y la ruedecilla girará fácilmente cuando el posicionamiento sea correcto.



Bolsa de almacenamiento de accesorios

Instalación de la bolsa de almacenamiento de accesorios

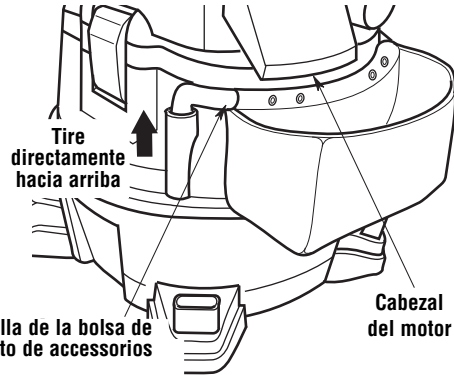
1. Posicione las varillas de la bolsa de almacenamiento de accesorios directamente sobre los receptáculos para las varillas de la bolsa de accesorios ubicados en el tambor para polvo.
2. Deslice las varillas de la bolsa de almacenamiento de accesorios al interior de los receptáculos para las varillas de la bolsa de accesorios hasta que las varillas estén completamente asentadas.



Remoción de la bolsa de almacenamiento de accesorios

1. Tire directamente hacia arriba de las varillas de la bolsa de almacenamiento de accesorios hasta que la bolsa esté floja.

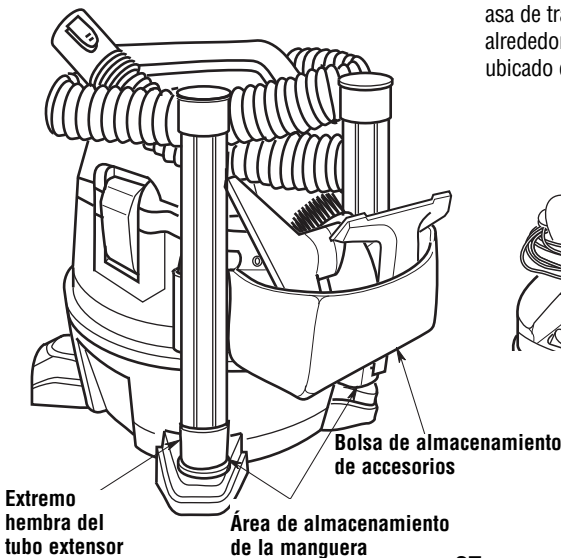
NOTA: Será necesario quitar el cabezal del motor antes de que se pueda quitar la bolsa de almacenamiento de accesorios.



Almacenamiento de accesorios

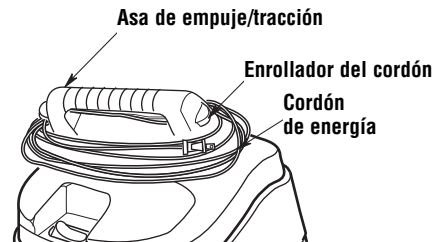
Los accesorios se pueden almacenar en la bolsa de almacenamiento de accesorios o en las dos ubicaciones que están en los pies de ruedecilla traseros.

NOTA: Introduzca el extremo hembra del tubo extensor en el manguito del portador de la manera que se muestra en la ilustración.



Enrollado del cordón

Cuando se haya completado la limpieza con la aspiradora, desenchufe el cordón de energía y enróllelo alrededor del ensamblaje del cabezal del motor, de la manera que se muestra en la ilustración. El cordón se debe enrollar debajo del asa de tracción (por encima de la entrada) y alrededor y debajo del enrollador del cordón ubicado en la cubierta del motor.

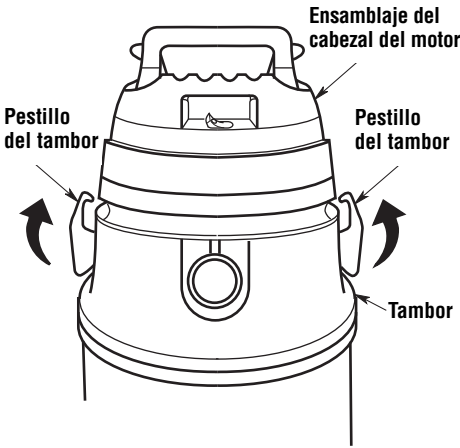


Ensamblaje de la aspiradora para mojado/seco

1. Posicione el ensamblaje del cabezal del motor sobre el ensamblaje del tambor de la manera que se muestra en la ilustración (ensamblado anteriormente).

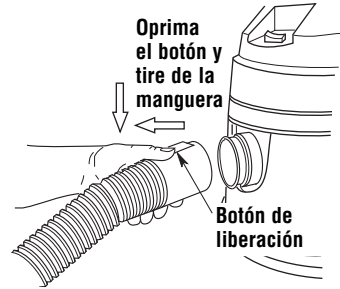
NOTA: Asegúrese de que la empaquetadura ubicada sobre el cabezal del motor y la superficie sellante del tambor no estén dañadas y estén limpias y libres de residuos.

2. Enganche los pestillos sobre la lengüeta del ensamblaje del cabezal del motor. Presione los pestillos hacia abajo hasta que estén cerrados de manera perfectamente ajustada contra los lados del tambor.



Introduzca la manguera

Introduzca el extremo con botón pulsador de la manguera "arrastrable" en la entrada de la aspiradora. La manguera debe acoplarse a presión en su sitio. Para quitar la manguera de la aspiradora, oprima el botón de liberación que está en el ensamblaje de la manguera y tire de la manguera hasta sacarla de la entrada de la aspiradora, de la manera que se muestra en la ilustración.



Funcionamiento

▲ ADVERTENCIA: Para reducir el riesgo de incendio, explosión o daños a la aspiradora:

- No deje la aspiradora en marcha mientras esté desatendida. Usted podría no notar señales importantes que indiquen un funcionamiento anormal, tal como pérdida de succión, residuos o líquido que salen por el escape o ruidos anormales del motor. Deje de usar la aspiradora inmediatamente si observa estas señales.
- No deje la aspiradora enchufada cuando no se esté utilizando.
- No continúe usando la aspiradora cuando el flotador haya cortado la succión.
- No utilice la aspiradora en áreas con gases inflamables, vapores inflamables o polvo explosivo en el aire. Las chispas generadas dentro del motor pueden incendiar los materiales inflamables suspendidos en el aire. Los gases inflamables y los vapores inflamables incluyen: líquido encendedor, limpiadores tipo solvente, pinturas a base de aceite, gasolina, alcohol o rociadores tipo aerosol. Los polvos inflamables incluyen: polvo de carbón, polvo de magnesio, polvo de aluminio, polvo de grano de cereal o pólvora.
- No recoja con la aspiradora polvos explosivos, líquidos inflamables ni cenizas calientes.
- No use la aspiradora como un rociador.

▲ ADVERTENCIA: Para reducir el riesgo de descargas eléctricas o lesiones:

- No exponga la aspiradora a la lluvia ni deje que entre líquido en el compartimiento del motor. Almacene la aspiradora en un lugar interior.
- No maneje el enchufe, el interruptor o la aspiradora con las manos mojadas.
- No haga servicio de ajustes y reparaciones de la aspiradora mientras esté enchufada. Si la aspiradora no está funcionando como debería, le faltan piezas, se ha caído, está dañada, se ha dejado a la intemperie o se ha caído al agua, devuélvala a un centro de servicio independiente o llame a servicio al cliente.
- Cuando utilice un cordón de extensión, utilice únicamente cordones con capacidad nominal para uso a la intemperie que estén en buenas condiciones. No deje que la conexión entre en contacto con líquido.
- Use siempre equipo de seguridad protector apropiado cuando utilice la unidad. Para renovaciones en el caso de pintura con plomo, consulte las pautas de RRP de la EPA.

Después de enchufar el cordón de energía en el tomacorriente, encienda la unidad empujando el interruptor de la posición "O" a la posición "I". Los símbolos utilizados en el accionador del interruptor son los símbolos internacionales de "encendido y apagado".

 = APAGADO |  = ENCENDIDO

Familiarícese con los accesorios que se incluyen con la aspiradora. Cada accesorio puede usarse de diversas maneras para aspirar y soplar residuos. A continuación hay una lista de los accesorios y de sus usos.

Difusor – Se utiliza para dispersar la corriente de aire de escape a la vez que se reduce el ruido. Insértelo en el orificio de soplado.

Tubos extensores – Estos tubos pueden conectarse entre sí y proporcionan longitud adicional para tener más alcance.

Boquilla turbo: Esta herramienta tipo barra agitadora accionada neumáticamente se utiliza para la limpieza de áreas grandes en superficies alfombradas.

Manguera – Proporciona transferencia de capacidad de aspiración o soplado al lugar de trabajo. Proporciona los medios para acoplar los tubos extensores y las boquillas.

Boquilla utilitaria – Boquilla de uso general para la mayoría de aplicaciones de aspiración.

Boquilla para mojado – Se utiliza para recoger materiales mojados en superficies lisas, para recoger líquido y secar la superficie en una pasada.

Cepillo para pisos de 14" – Se utiliza para limpiezas de áreas grandes en superficies lisas.

Cepillo para polvo – Se puede utilizar con una manguera de 1-1/4" ó 2-1/2" con adaptador incluido.

Adaptador de 2.5" a 1.25" – Permite que los accesorios se adapten a una manguera de 2-1/2".

Funcionamiento (continuación)

Recogida de materiales secos con la aspiradora

1. El filtro debe estar siempre en la posición correcta para reducir el riesgo de fugas y posibles daños a la aspiradora.
2. Esta aspiradora para mojado/seco viene con el filtro HEPA certificado instalado. Al utilizar la aspiradora para recoger polvo muy fino, será necesario que usted vacíe el tambor y limpie el filtro a intervalos más frecuentes para mantener un rendimiento óptimo. Para obtener los mejores resultados, utilice el filtro HEPA certificado (HF1000) en combinación con el prefiltro (HF0500) y la bolsa de recolección del filtro (VF3502).

NOTA: Se necesita un filtro seco para recoger material seco. Si utiliza la aspiradora para recoger polvo cuando el filtro está mojado, éste se atascará rápidamente y será muy difícil limpiarlo.

Recogida de líquidos con la aspiradora

1. Cuando recoja pequeñas cantidades de líquido, puede dejar instalado en la aspiradora el filtro de cartucho (HF1000), pero la bolsa del filtro, si se utiliza, debe ser retirada.
2. Cuando recoja grandes cantidades de líquido, se pueden retirar todos los filtros.

IMPORTANTE: Mientras los filtros estén retirados, esta aspiradora ya no cumplirá con las pautas de RRP de la EPA para recoger materiales secos.

3. Si los filtros están retirados durante la recogida de líquidos, el mecanismo del flotador subirá automáticamente para interrumpir el flujo de aire. Cuando esto suceda, apague la aspiradora, desenchufe el cordón de energía y vacíe el tambor. Sabrá que el flotador ha subido porque el flujo de aire de la aspiradora cesará y subirá el tono del ruido del motor debido a que se producirá un aumento de la velocidad del mismo.
4. Después de utilizar la aspiradora para recoger líquidos, se deben secar los filtros para reducir el riesgo de posible formación de moho en los filtros y posibles daños a los mismos.

IMPORTANTE: Para reducir el riesgo de daños a la aspiradora, no tenga en marcha el motor con el flotador en la posición elevada.

Vaciado del tambor

1. La aspiradora viene equipada con un drenaje para vaciarla fácilmente de líquidos. Simplemente desenrosque la tapa del drenaje y levante ligeramente el lado opuesto para vaciar el tambor.
2. Otra opción es quitar el ensamblaje del cabezal del motor.
3. Ponga a un lado el ensamblaje del cabezal del motor en un área limpia mientras vacía el tambor.
4. Vierta el contenido del tambor en el recipiente de eliminación de residuos apropiado.

⚠ ADVERTENCIA: Para reducir el riesgo de que se produzcan lesiones en la espalda o caídas, no levante la aspiradora si pesa demasiado debido a que contiene líquido o residuos. Saque o haga salir una cantidad suficiente del contenido para hacer que la aspiradora sea suficientemente liviana como para poder levantarla cómodamente.

Traslado de la aspiradora para mojado/seco

En caso de que sea necesario levantar la aspiradora para trasladarla, las asas ubicadas en los lados del tambor para polvo se usan para levantar la aspiradora. Para maniobrar la aspiradora, se debe usar el asa de empuje/tracción que está sobre el cabezal del motor de la unidad.

Funcionamiento (continuación)

Dispositivo de soplado

La aspiradora cuenta con un orificio de soplado. Puede soplar aserrín y otros residuos. Siga los pasos que se indican a continuación para usar la aspiradora como soplador.

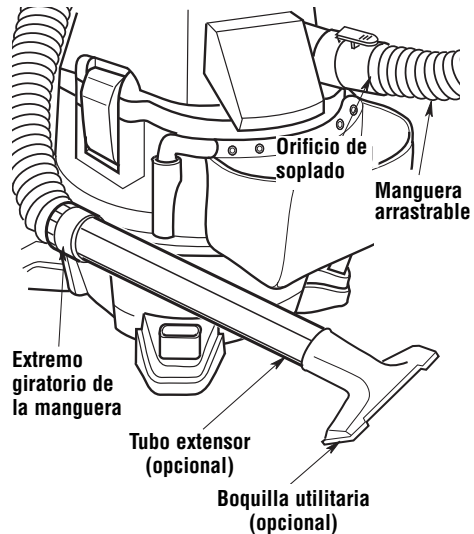
⚠ ADVERTENCIA: Use siempre anteojos de seguridad que cumplan con la norma ANSI Z87.1 (o en Canadá, con la norma CSA Z94.3) antes de utilizar la aspiradora como soplador.

⚠ ADVERTENCIA: Para reducir el riesgo de lesiones a las personas que estén presentes, manténgalas alejadas de los residuos soplados.

⚠ PRECAUCIÓN: Use una máscara antipolvo si el soplado genera polvo que podría ser inhalado.

⚠ PRECAUCIÓN: Para reducir el riesgo de daños a la audición, use protectores de oídos cuando utilice la aspiradora/soplador durante muchas horas seguidas o cuando la utilice en un área ruidosa.

1. Localice el orificio de soplado de la aspiradora.
2. Introduzca el extremo de fijación de la manguera arrastrable en el orificio de soplado de la aspiradora. La manguera debe acoplarse a presión en su sitio.
3. (Opcional) Acople un tubo extensor en el extremo opuesto de la manguera y luego coloque la boquilla para auto en el tubo.
4. Encienda la aspiradora y estará lista para utilizarse como soplador.



Mantenimiento

Filtro

⚠ ADVERTENCIA: Para reducir el riesgo de lesiones debidas a un arranque accidental, desenchufe el cordón de energía antes de cambiar o limpiar el filtro.

Esta aspiradora para mojado/seco profesional de 14 galones se suministra con el filtro HEPA certificado de RIDGID. Los filtros HEPA certificados de repuesto se encuentran disponibles en el establecimiento donde usted compró su aspiradora. Pida el filtro RIDGID HEPA HF1000 y el prefiltro RIDGID HF0500.

NOTA: Este filtro está hecho con medios HEPA de alta calidad diseñados para detener partículas de polvo muy pequeñas. El filtro se puede utilizar para recoger materiales mojados o secos. Maneje el filtro cuidadosamente cuando lo retire para limpiarlo o instalarlo. Siga las pautas de la EPA para la recogida en el caso de RRP.

Remoción del filtro

Consulte la sección de este manual "Instalación del filtro" en la página 25.

Deje que el filtro se seque antes de volver a instalarlo y de guardar la aspiradora.

IMPORTANTE: Después de realizar la limpieza, compruebe todos los filtros para determinar si tienen desgarraduras o agujeros pequeños. No use un filtro que tenga agujeros o desgarraduras. Incluso un agujero pequeño puede hacer que salga mucho polvo de la aspiradora. Si un filtro está dañado o desgastado, reemplácelo inmediatamente.

⚠ ADVERTENCIA: No utilice la aspiradora sin la jaula del filtro y el flotador, ya que estas piezas evitan que entre líquido en el impulsor y dañe el motor.

IMPORTANTE: Para evitar daños a la rueda del soplador y al motor, vuelva a instalar siempre el filtro antes de usar la aspiradora para recoger material seco.

Limpieza y desinfección después de una recogida de residuos generales

Para mantener el mejor aspecto posible de la aspiradora para mojado/seco, limpie su exterior con un paño humedecido con agua templada y un jabón suave.

Para limpiar el tambor:

1. Vacíe de residuos el tambor.
2. Lave a fondo el tambor con agua templada y un jabón suave.
3. Limpie el tambor con un paño seco.

Antes de un almacenamiento prolongado o según sea necesario (por ejemplo, si se recogen aguas residuales), se debe desinfectar el tambor.

Para desinfectar el tambor:

1. Eche 1 galón de agua y 1 cucharadita de blanqueador de cloro en el tambor.
2. Deje que la solución repose durante 20 minutos y agítela cuidadosamente cada pocos minutos, asegurándose de mojar todas las superficies interiores del tambor.
3. Vacíe el tambor después de 20 minutos. Enjuáguelo con agua hasta que el olor a blanqueador desaparezca. Deje que el tambor se seque completamente antes de sellar el motor sobre el tambor.

Limpieza y desinfección después de una recogida en el caso de RRP

Si está utilizando esta aspiradora de acuerdo con las prácticas de trabajo seguro con plomo conforme a la regla de renovación, reparación y pintura de la EPA, siga las pautas establecidas por la EPA.

Mantenimiento (continuación)

Mantenimiento del cordón

Cuando se haya completado la limpieza con la aspiradora, desenchufe el cordón y enróllelo alrededor de la cubierta del motor. Si el cordón de energía está dañado, debe ser reemplazado por el fabricante o su agente de servicio o por personal similarmente calificado, para reducir el riesgo de accidente.

Almacenamiento

Antes de almacenar la aspiradora, se debe vaciar y limpiar el tambor para polvo. El cable de alimentación se debe enrollar alrededor de la unidad y la manguera se debe almacenar con la aspiradora. Los accesorios se deben mantener en la misma área que la aspiradora para que estén al alcance de la mano cuando se necesiten. La aspiradora se debe almacenar en interiores.

Ruedecillas

Si las ruedecillas hacen ruido, puede poner una gota de aceite en el eje del rodillo para que hagan menos ruido.

▲ ADVERTENCIA: Para garantizar la **SEGURIDAD** y **CONFIABILIDAD** del producto, las reparaciones y los ajustes deben realizarse en los **Centros de Servicio autorizados**, usando siempre piezas de repuesto **RIDGID**.

Piezas de repuesto

**Aspiradora para mojado/seco profesional de 14 galones EE.UU. / 53 litros
con filtración HEPA certificada**

Números de existencias RV2400HF (modelo RV2400HF0)

Las piezas RIDGID están disponibles a través del distribuidor RIDGID local.

Pida siempre por número de pieza —no por número de clave

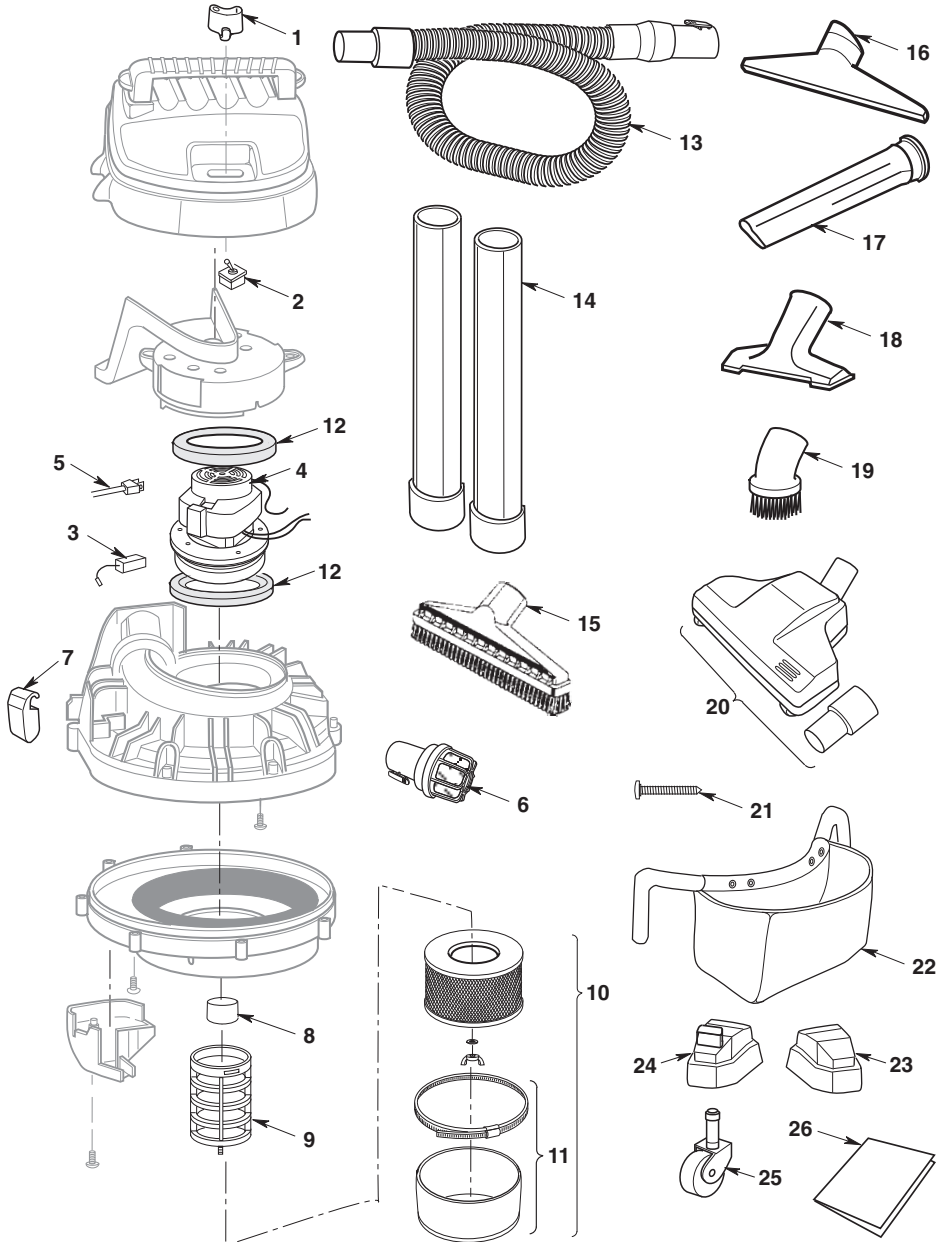
- ▲ ADVERTENCIA:** Para reducir el riesgo de lesiones por causa de descargas eléctricas, desenchufe el cable de alimentación antes de hacer servicio de mantenimiento de las piezas eléctricas de la aspiradora para mojado/seco

No. de clave	RV2400HF No. de pieza	Descripción
1	830564	Accionador del interruptor
2	73180	Interruptor de palanca
3	822374-8	Escobillas del motor (1 juego)
4	831567	Ensamblaje del motor
5	831657	Ensamblaje del cordón
6	VT2525	Difusor
7	833424	Pestillo del tambor
8	831388	Flotador
9	833499	Jaula del filtro
10	HF1000	Filtro HEPA, arandela, tuerca de mariposa (también incluye el modelo HF0500)
11	HF0500	Prefiltro, abrazadera de banda
12	827415	Empaquetaduras del motor (2)
13	831337-7	Manguera arrastrable
14	VT2508	Tubo extensor
15	VT2514	Cepillo para pisos
16	VT2510	Boquilla para mojado
17	VT2502	Boquilla rinconera
18	VT2509	Boquilla utilitaria
19	VT2501	Cepillo para polvo
20	VT2571	Boquilla turbo tipo "barra agitadora" con adaptador
21	820563-12	Tornillo tipo "AB" No. 10 x 1-3/4
22	830717	Bolsa de almacenamiento de accesorios
23	830715	Pies de ruedecilla (delanteros)
24	830716	Pies de ruedecilla (traseros)
25	73102	Ruedecillas
26	SP6775	Manual del usuario

Piezas de repuesto (continuación)

Las piezas RIDGID se encuentran disponibles en línea conectándose a www.ridgidparts.com

⚠ ADVERTENCIA: Para reducir el riesgo de lesiones por causa de descargas eléctricas, desenchufe el cable de alimentación antes de hacer servicio de mantenimiento de las piezas eléctricas de la aspiradora para mojado/seco



RIDGID®



- **Qué está cubierto**

Se garantiza que las aspiradoras para mojado/seco RIDGID® están libres de defectos de fabricación y de materiales.

- **Cuánto dura la cobertura**

Esta garantía dura toda la vida de las aspiradoras para mojado/seco RIDGID®.

- **Cómo puede obtener servicio**

Para obtener el beneficio de esta garantía, envíe el producto completo mediante transporte prepago a RIDGE TOOL COMPANY, Elyria, Ohio, o a cualquier CENTRO DE SERVICIO INDEPENDIENTE RIDGID®. Las llaves para tubos y otras herramientas de mano deben devolverse al establecimiento de compra.

- **Qué haremos para corregir los problemas**

Las aspiradoras para mojado/seco garantizadas serán reparadas o reemplazadas, a opción de Ridge Tool Company, y serán devueltas sin cargo; o si después de tres intentos de reparar o reemplazar la aspiradora para mojado/seco durante el período de garantía ésta aún presenta defectos, usted puede optar por recibir un reembolso completo de su precio de compra.

- **Qué no está cubierto**

Las averías debidas a uso incorrecto, abuso o desgaste por el uso normal no están cubiertas por esta garantía. **RIDGE TOOL COMPANY NO SERÁ RESPONSABLE DE NINGÚN DAÑO FORTUITO NI EMERGENTE.**

- **Cómo se relaciona la ley local con la garantía**

Algunos estados no permiten la exclusión o limitación de los daños fortuitos o emergentes, por lo que es posible que la limitación o exclusión que antecede no tenga aplicación en su caso. Esta garantía le confiere a usted derechos específicos y es posible que también tenga otros derechos, que varían de un estado a otro, una provincia a otra o un país a otro.

- **Ninguna otra garantía expresa tiene aplicación**

Esta GARANTÍA COMPLETA DE POR VIDA es la garantía única y exclusiva de las aspiradoras para mojado/seco RIDGID®. Ningún empleado, agente, distribuidor u otra persona está autorizado a alterar esta garantía ni a dar ninguna otra garantía en nombre de Ridge Tool Company.

No. de existencias RV2400HF

No. de modelo RV2400HF0

No. de serie _____

Los números de modelo y de serie pueden encontrarse en la parte trasera del ensamblaje del cabezal. Debe anotar tanto el número de modelo como el de serie en un lugar seguro para uso futuro.

¿PREGUNTAS O COMENTARIOS? COMUNÍQUESE CON NOSOTROS EN

www.ridgidvac.com

1-800-4-RIDGID (1-800-474-3443) desde los EE.UU. y Canadá
01-800-701-9811 desde México

© 2011 Emerson

No. de pieza SP6775


EMERSON™
Professional Tools

No. de formulario SP6775-1

Emerson Tool Company
Una División de
Emerson Electric Co.

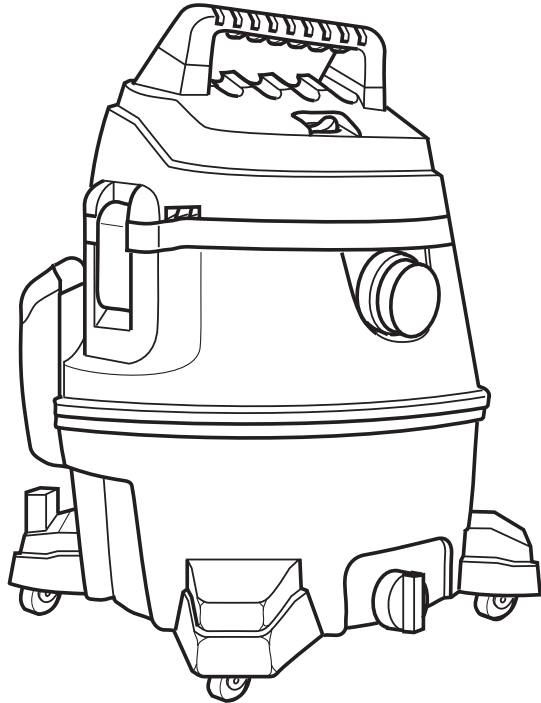
Impreso en México 08/11

RIDGID®

MODE D'EMPLOI

**ASPIRATEUR DE LIQUIDES
ET DE POUSSIÈRES
DE 53 LITRES (14 GALLONS DES É-U)
AVEC FILTRATION HEPA* CERTIFIÉE**

RV2400HF0



**EN CAS DE QUESTIONS OU POUR OBTENIR DES INFORMATIONS,
VEUILLEZ NOUS CONTACTER AU :**

**1-800-4-RIDGID (1-800-474-3443) depuis les États-Unis et le Canada
01-800-701-9811 depuis le Mexique
www.ridgidvacs.com**

▲ AVERTISSEMENT :

Pour réduire le risque de blessure, l'utilisateur doit lire et comprendre le mode d'emploi avant d'utiliser ce produit. Pour plus d'informations sur le règlement de l'EPA concernant la sécurité en cas de rénovations et de réparations en présence de peinture au plomb (Règlement RRP), allez à www.epa.gov/lead.

Merci d'avoir acheté un produit RIDGID.

• Español - página 19

* Soumis à des essais jusqu'à 99,97 % à une efficacité de 0,3 micron; lot soumis à des essais de contrôle par un laboratoire indépendant conformément à IEST-RP-CC001.5.

CONSERVER CE MANUEL POUR RÉFÉRENCE FUTURE

Table des matières

Section	Page	Section	Page
Instructions importantes relatives à la sécurité . . .	38	Vidage du tambour	48
Instructions relatives à la mise à la terre	40	Transport de l'aspirateur de liquides et de poussières	48
Introduction	41	Fonction de souffleuse	49
Déballage et contrôle du contenu du carton	41	Entretien	50
Installation du filtre	43	Filtre	50
Assemblage tambour/pied de roulette	44	Nettoyage et désinfection après un ramassage général de débris	50
Sac de rangement des accessoires	45	Nettoyage et désinfection après un ramassage conforme au Règlement RRP	50
Rangement des accessoires	45	Entretien du cordon d'alimentation	51
Enroulement du cordon	45	Rangement	51
Assemblage de l'aspirateur de liquides et de poussières	46	Roulettes	51
Insertion du tuyau	46	Pièces de rechange	52
Fonctionnement	47	Garantie	54
Aspiration de matériaux secs	48		
Aspiration de liquides	48		

INSTRUCTIONS IMPORTANTES RELATIVES À LA SÉCURITÉ

La sécurité est une combinaison de faire preuve de bon sens, rester vigilant et savoir comment votre aspirateur de liquides et de poussières (l'« aspirateur ») fonctionne.

Termes de signalisation de questions de sécurité

▲ DANGER : indique une situation dangereuse qui, si elle n'est pas évitée, causera la mort ou une blessure grave.

▲ AVERTISSEMENT : indique une situation dangereuse qui, si elle n'est pas évitée, risque de causer la mort ou une blessure grave.

▲ MISE EN GARDE : indique une situation dangereuse qui, si elle n'est pas évitée, pourrait causer une blessure légère ou modérée.

Prenez toujours des précautions élémentaires, notamment les précautions suivantes, lorsque vous utilisez votre aspirateur de liquides et de poussières :

▲ AVERTISSEMENT

– Pour réduire le risque d'incendie, de choc électrique ou de blessure :

- Lisez et comprenez ce manuel et toutes les étiquettes placées sur l'aspirateur avant de mettre celui-ci en marche.
- N'utilisez l'aspirateur que comme cela est décrit dans ce mode d'emploi.
- Ne laissez pas en marche pendant que vous êtes absent – vous vous risqueriez de manquer des signes importants indiquant un fonctionnement anormal, comme une perte de puissance d'aspiration, la sortie de débris ou de liquides par la bouche de soufflage d'air ou des bruits anormaux en provenance du moteur. Cessez immédiatement d'utiliser l'aspirateur si vous constatez de tels signes.
- Ne laissez pas l'aspirateur sans surveillance quand il est branché dans une prise de courant.

Débranchez-le de la prise quand il n'est pas utilisé et avant toute opération de maintenance.

- Des étincelles à l'intérieur du moteur risquent de mettre feu à des vapeurs ou poussières inflammables. Pour réduire le risque d'incendie ou d'explosion : n'utilisez pas à proximité de gaz ou de liquides inflammables ou combustibles, ou de poussières explosives, comme de l'essence automobile ou d'autres fiouls, de l'essence à briquet, des produits de nettoyage, de la peinture à l'huile, du gaz naturel, de l'hydrogène, de la poussière de charbon, de la poussière de magnésium, de la poussière d'aluminium, de la poussière de céréales ou de la poudre.
- N'aspirez jamais de matières en train de brûler ou des matières fumigènes, telles que des cigarettes, des allumettes ou des cendres chaudes.
- Lorsque vous utilisez cet appareil pour des tâches de nettoyage conformément au Règlement RRP de l'EPA, n'utilisez qu'un filtre Ridgid certifié HEPA, HF1000.
- Même si vous utilisez un filtre HEPA (filtre à haute efficacité pour les particules de l'air) avec cet appareil, il est possible que des particules extrêmement petites passent à travers le filtre. Portez toujours des équipements protecteurs de sécurité appropriés.
- Pour réduire le risque de choc électrique, n'exposez pas à la pluie et empêchez l'entrée de liquides dans le compartiment du moteur. Rangez à l'intérieur.
- Ne laissez pas les enfants se servir de l'aspirateur comme d'un jouet. Il faut surveiller de très près quand il est utilisé par des enfants ou à proximité d'enfants.
- N'utilisez pas avec un filtre déchiré ou sans avoir installé de filtre, sauf quand vous aspirez des liquides, comme cela est décrit dans ce mode d'emploi. Des débris secs capturés par la roue risquent d'endommager le moteur ou d'être expulsés à nouveau dans l'air ambiant.

- Éteignez l'aspirateur avant de le débrancher.
- Pour réduire le risque de blessure pouvant être causée par une mise en marche accidentelle, débranchez le cordon d'alimentation avant de changer le filtre ou de le nettoyer.
- Ne débranchez pas en tirant sur le cordon. Pour débrancher, saisissez la fiche – pas le cordon.
- N'utilisez pas l'aspirateur avec une fiche, un cordon ou un autre composant endommagé. Si votre aspirateur ne fonctionne pas comme il faut, s'il manque des pièces, s'il quelqu'un l'a laissé tomber, s'il est endommagé, s'il a été laissé à l'extérieur ou s'il est tombé dans de l'eau, téléphonez au service d'assistance à la clientèle.
- Ne tirez pas l'aspirateur et ne le portez pas par son cordon, n'utilisez pas le cordon pour servir de poignée, ne fermez pas une porte sur le cordon et ne laissez pas le cordon tendu passer sur des bords ou des coins tranchants. Ne traînez pas l'aspirateur sur son cordon. Maintenez le cordon à distance des surfaces chauffées.
- Ne touchez pas la fiche, l'interrupteur ou l'aspirateur avec des mains mouillées.
- Utilisez seulement des cordons de rallonge qui sont conçus pour emploi à l'extérieur. Les cordons de rallonge en mauvais état ou trop petits en termes de calibre des fils peuvent poser des risques d'incendie et de choc électrique. Pour réduire le risque de tels dangers, inspectez les cordons pour vous assurer qu'ils sont en bon état et que le liquide n'entre pas en contact avec le raccordement. N'utilisez pas de cordons de rallonge dont les conducteurs ont un calibre inférieur à 16 AWG. Pour réduire la perte d'énergie, utilisez un cordon de rallonge de calibre 14 s'il mesure entre 7,5 et 15 mètres de long, ou de calibre 12 s'il mesure 15 mètres de long ou plus.
- Raccorder à une prise de courant correctement mise à la terre. Voir instructions relatives à la mise à la terre.
- Ne mettez aucun objet dans les orifices de ventilation. N'aspirez pas quand de quelconques orifices de ventilation sont obstrués ; assurez-vous que ces orifices ne sont pas bloqués par de la poussière, de la peluche, des cheveux ou de quelconques objets pouvant réduire la circulation de l'air.
- Gardez les cheveux, les vêtements flottants, les doigts et toutes les parties du corps à distance des orifices et des pièces mobiles.
- Pour réduire le risque de chute, faites très attention lorsque vous utilisez l'aspirateur dans des escaliers.
- Pour réduire le risque de vous faire mal au dos ou de tomber, ne soulevez pas un aspirateur qui est lourd en raison de la présence de liquides ou de débris aspirés. Videz partiellement l'aspirateur en écopant ou en purgeant.
- Pour réduire le risque de blessure ou le risque d'endommagement de l'aspirateur, n'utilisez que des accessoires recommandés par Ridgid.
- En cas d'utilisation de l'aspirateur comme soufflante :
 - Ne dirigez la décharge d'air que vers la zone de travail.
 - Ne dirigez pas l'air vers des personnes présentes à proximité.
 - Gardez les enfants à distance lors du fonctionnement de la soufflante.
 - N'utilisez la soufflante que pour souffler des saletés et des débris.
 - N'utilisez pas en guise de pulvérisateur.
 - Portez des lunettes de sécurité.
- Pour réduire le risque de blessure pour les yeux, portez des lunettes de sécurité. L'utilisation de toute soufflante ou de tout aspirateur utilitaire peut toujours causer la projection de corps étrangers dans les yeux, ce qui risque d'entraîner des blessures graves aux yeux.
- Pour réduire le risque d'être frappé ou entraîné par un aspirateur en train de rouler, bloquez les roulettes lorsque vous utilisez l'aspirateur sur une surface inégale ou inclinée.

▲ MISE EN GARDE :

- Pour réduire le risque de perte auditive, portez des protecteurs d'oreilles lorsque vous vous servez de l'aspirateur pendant plusieurs heures ou quand vous l'utilisez dans un endroit bruyant.
- En cas d'utilisation dans un environnement poussiéreux, portez un appareil respiratoire/masque de protection contre la poussière approprié.
- Les décharges statiques sont fréquentes dans les endroits secs ou lorsque l'humidité relative de l'air ambiant est faible. L'aspiration de débris fins avec votre aspirateur peut déposer une charge statique sur le tuyau ou sur l'aspirateur. La meilleure chose à faire pour réduire la fréquence des décharges statiques chez vous ou lorsque vous utilisez cet aspirateur consiste à ajouter de l'humidité dans l'air avec un humidificateur.

Observez les avertissements suivants qui figurent sur le carter du moteur de votre aspirateur :

▲ AVERTISSEMENT: pour votre propre sécurité, lisez et comprenez le manuel de l'opérateur. Ne laissez jamais l'aspirateur en marche sans surveillance. Ne ramassez pas de cendres chaudes, de charbon ou de matières toxiques, inflammables ou dangereuses. N'utilisez pas à proximité de vapeurs ou de liquides explosifs.

AVERTISSEMENT: pour réduire le risque de choc électrique – n'exposez pas à la pluie – rangez à l'intérieur.

REMARQUE : un filtre HF1000 certifié doit être utilisé lors des nettoyages devant respecter le Règlement RRP de l'EPA.

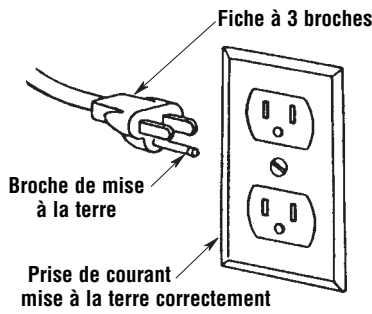
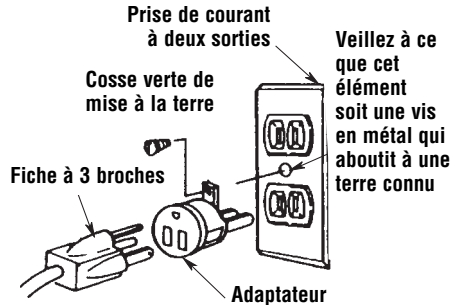
CONSERVER CE MANUEL

Instructions relatives à la mise à la terre

Cet appareil doit être mis à la terre. En cas de problème électrique, la mise à la terre fournit un chemin de moindre résistance pour le courant électrique afin de réduire le risque de choc électrique. Cet appareil est muni d'un cordon ayant un conducteur de mise à la terre de l'équipement et d'une fiche de mise à la terre. La fiche doit être insérée dans une prise appropriée qui est installée correctement et mise à la terre conformément à tous les codes et règlements municipaux.

⚠ AVERTISSEMENT
 – un raccordement inadéquat du conducteur de mise à la terre de l'équipement risque de produire un risque de choc électrique. Consultez un électricien professionnel ou un réparateur compétent en la matière si vous avez le moindre doute quant à la mise à la terre de la prise de courant. Ne modifiez pas la fiche fournie avec cet appareil – si elle ne tient pas dans la prise de courant, demandez à un électricien professionnel d'installer une prise de courant avec mise à la terre conforme aux stipulations du code.

Cet appareil est conçu en vue d'un emploi sur un circuit de 120 volts de valeur nominale, et il a une fiche de mise à la terre qui ressemble à la fiche figurant sur l'illustration. Un adaptateur temporaire ressemblant à celui qui est illustré peut être utilisé pour raccorder cette fiche à une prise à deux broches, telle que celle qui est illustrée. S'il n'existe pas de prise de courant correctement mise à la terre, l'adaptateur temporaire peut être utilisé, mais seulement jusqu'à ce qu'une prise de courant correctement mise à la terre puisse être installée par un électricien professionnel.



La cosse, la saillie ou tout autre élément de couleur verte sortant de l'adaptateur doit être raccordé à une terre permanente telle qu'un cache de coffret de prise de courant correctement mise à la terre. Quand il est utilisé, l'adaptateur doit être maintenu en place par une vis en métal.

REMARQUE : au Canada, le Code national d'électricité interdit l'utilisation d'un adaptateur temporaire.

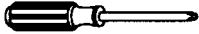
Introduction

Cet aspirateur peut être utilisé dans un environnement commercial ou résidentiel. Cet aspirateur de liquides et de poussières est fourni avec un filtre à poussière HEPA certifié, et il satisfait à la définition de l'EPA pour un aspirateur HEPA. Il peut être utilisé pour des travaux de rénovation en présence de peinture au plomb conformément au

Règlement RRP de l'EPA à ce sujet. Il peut être utilisé pour ramasser des matériaux tels que de la sciure et du gravier, ainsi que des matériaux ultrafins comme de la poussière de cloisons sèches et des cendres froides dans une cheminée. Ces types de matériaux sont tellement petits qu'ils passeraient à travers des filtres traditionnels.

Déballage et vérification du contenu du carton

Outils nécessaires



Tournevis à tête cruciforme



Marteau



Maillet

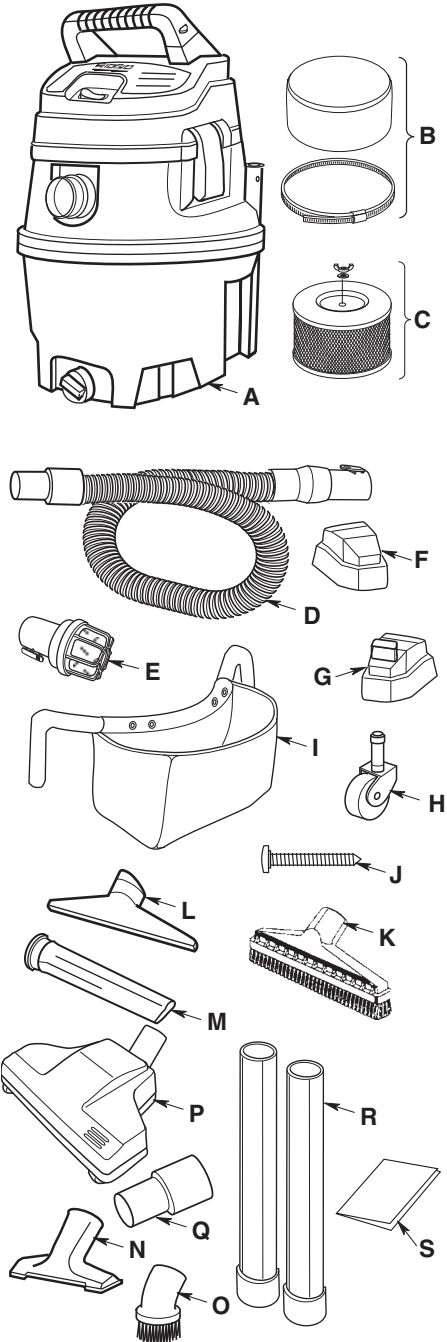
Se référer au croquis d'assemblage pour le positionnement des pièces.

Retirez tous les éléments se trouvant dans la boîte en carton. Inspectez chaque élément en le comparant à la liste incluse dans la boîte en carton. Téléphonez au 1-800-4-RIDGID (1-800-474-3443) depuis les États-Unis et le Canada, 01-800-701-9811 depuis le Mexique, ou envoyez-nous un courriel à info@ridgid.com si de quelconques composants sont endommagés ou manquants.

Déballage et vérification du contenu du carton (suite)

Liste du contenu de la boîte en carton

Légende	Description	Qté
A	Ensemble d'aspirateur de liquides et de poussières.....	1
B	Préfiltre	1
C	Filtre HEPA certifié	1
D	Tuyau de traction Tug-A-Long™.....	1
E	Diffuseur	1
F	Pieds à roulettes, avant.....	2
G	Pieds à roulettes, arrière.....	2
H	Roulettes.....	4
I	Sac de rangement des accessoires	1
J	Vis de type AB N° 10 x 1-3/4	4
K	Balai de 14 po	1
L	Suceur humide.....	1
M	Suceur plat.....	1
N	Suceur à usages multiples	1
O	Brosse à épousseter.....	1
P	Suceur turbo à « barre de battage »	1
Q	Adaptateur de 2,5 po à 1,25 po	1
R	Baguettes de rallonge.....	2
S	Mode d'emploi	1

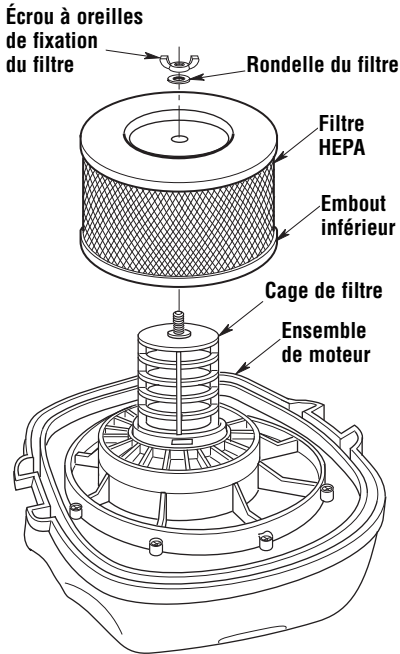


Installation du filtre

1. Placez le filtre HEPA sur la cage de filtre jusqu'à ce que le filtre HEPA soit solidement en place contre l'ensemble de moteur. Assurez-vous que le goujon fileté de la cage de filtre dépasse de l'ouverture du filtre HEPA.

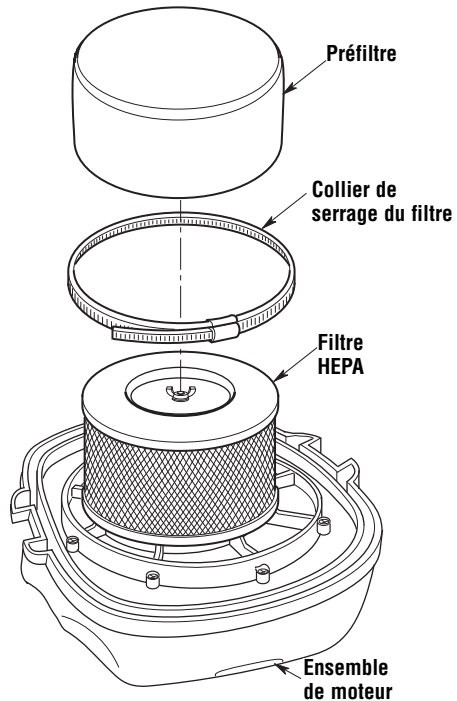
REMARQUE : assurez-vous que le joint d'étanchéité sur le filtre HEPA et la surface étanche de l'ensemble de moteur ne sont pas endommagés et qu'ils sont propres et non encombrés par des débris.

2. Positionnez la rondelle du filtre avec le côté en caoutchouc contre le filtre HEPA, puis placez l'écrou à oreilles servant à maintenir le filtre en place autour du goujon fileté de la cage de filtre. Serrez à la main l'écrou de fixation du filtre afin d'assujettir le filtre HEPA à l'ensemble de moteur.



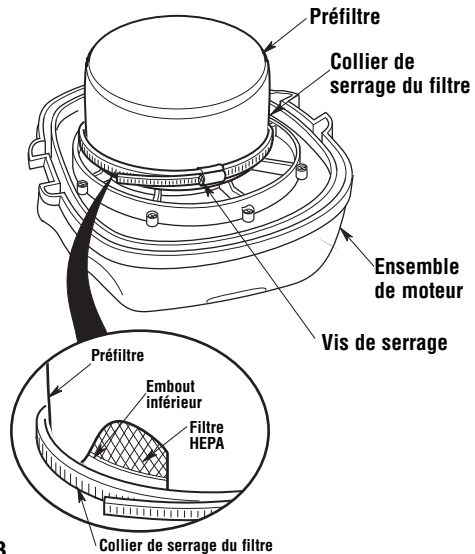
⚠ AVERTISSEMENT : ne faites pas fonctionner sans la cage du filtre et le flotteur étant donné qu'ils empêchent l'entrée de liquide dans la roue et protègent ainsi le moteur contre les dommages pouvant en résulter.

3. Faites glisser le préfiltre sur le filtre HEPA dûment assemblé.



4. Localisez le collier de serrage du filtre sur le préfiltre, en dessus de l'embout inférieur, comme illustré. Serrez avec un tournevis pour assujettir en place.

REMARQUE : le filtre sera endommagé si le collier de serrage du filtre est serré autour de la grille du filtre.

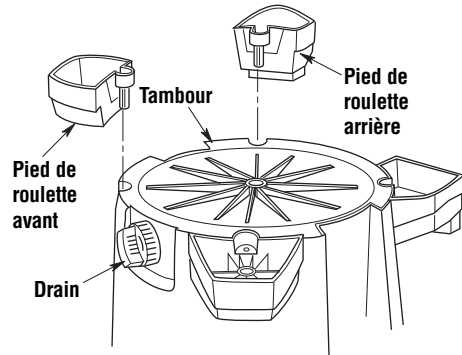


Assemblage tambour/pied de roulette

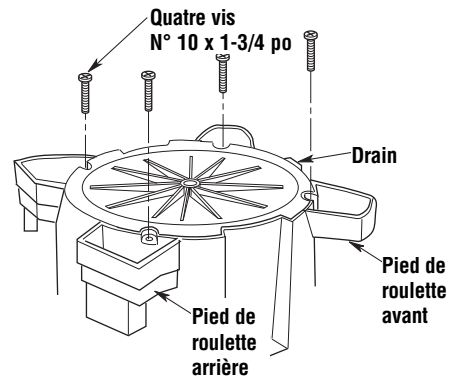
Si l'une quelconque des pièces est absente ou a été endommagée, veuillez contacter le service clientèle.

N'assemblez pas le tambour avant que toutes les pièces soient à votre disposition.

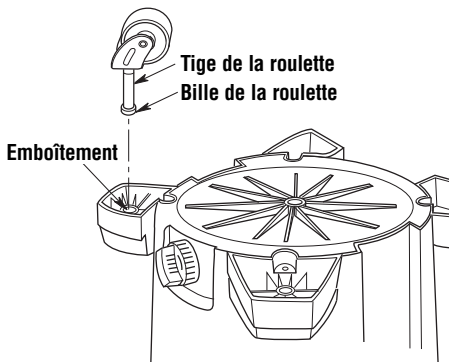
1. Insérez les pieds de roulettes avant et arrière dans la partie inférieure du tambour tel que cela est illustré. Il sera peut-être nécessaire de tapoter à l'aide d'un maillet ou d'un marteau pour asseoir complètement les deux pieds de roulettes.



2. Installez 4 vis N° 10 x 1-3/4 po dans les trous réservés à cet effet sur les pieds de roulettes avant et arrière, en les assujettissant à la partie inférieure du tambour. Ne serrez pas excessivement car cela pourrait déformer les pieds des roulettes.



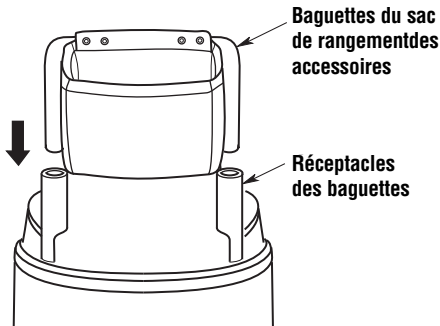
3. Insérez la tige de la roulette dans le pied de la roulette tel que cela est illustré.
4. Poussez sur la roulette jusqu'à ce que la bille située sur la tige de la roulette soit insérée à fond dans l'emboîtement. Vous pourrez entendre un bruit sec lorsque la bille s'encastrent dans l'emboîtement, et la roulette pivotera facilement une fois que le positionnement aura bien été effectué.



Sac de rangement des accessoires

Installation du sac de rangement des accessoires

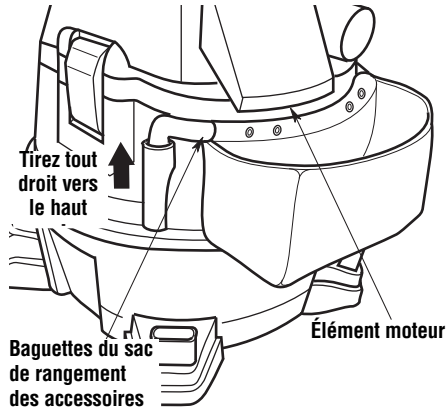
1. Positionnez les baguettes du sac de rangement des accessoires directement au-dessus des réceptacles de ces baguettes dans le tambour à poussière.
2. Faites glisser les baguettes du sac de rangement des accessoires dans les réceptacles de ces baguettes jusqu'à ce qu'elles soient complètement en place.



Retrait du sac de rangement des accessoires

1. Tirez les baguettes du sac de rangement des accessoires tout droit vers le haut jusqu'à ce que le sac soit libéré.

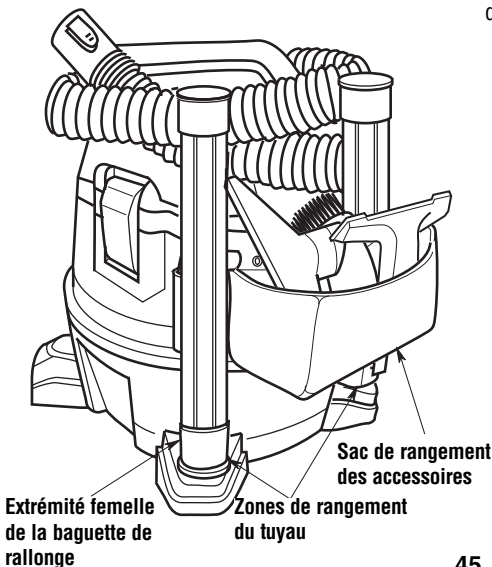
REMARQUE : l'élément moteur devra être retiré avant que le sac de rangement des accessoires puisse être retiré.



Rangement des accessoires

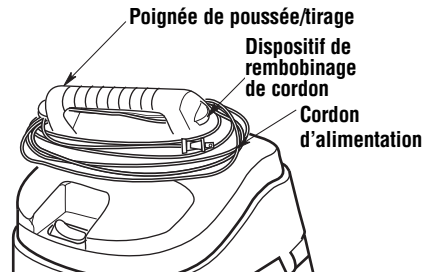
Vous pouvez ranger vos accessoires dans le sac de rangement des accessoires, ou dans les deux emplacements à l'arrière des pieds de roulettes arrière.

REMARQUE : insérez l'extrémité femelle de la baguette de rallonge dans le manchon de support tel que cela est illustré.



Enroulement du cordon

Après avoir passé l'aspirateur, débranchez le cordon et enroulez-le autour de l'élément moteur, tel que cela est illustré. Le cordon doit s'enrouler sous la poignée de tirage (au dessus de la rainure), et autour et en dessous du dispositif de rembobinage de cordon situé sur le capot du moteur.

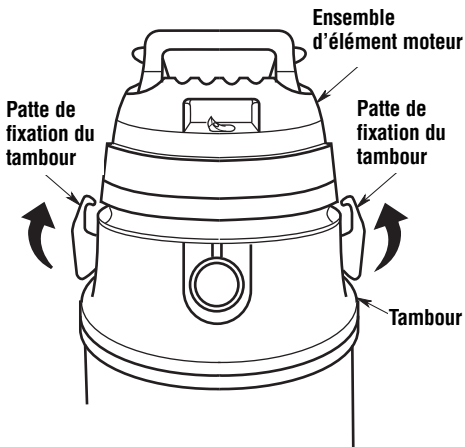


Assemblage de l'aspirateur de liquides et de poussières

1. Positionnez l'ensemble de bloc-moteur sur l'ensemble de tambour comme illustré (assemblé plus tôt).

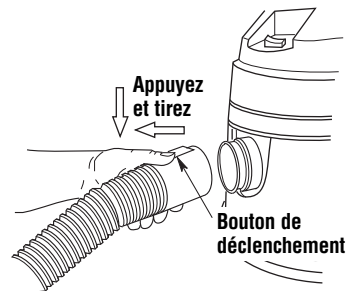
REMARQUE : assurez-vous que le joint d'étanchéité sur l'ensemble de moteur et la surface étanche sur le tambour ne sont pas endommagés et qu'ils sont propres et non encombrés par des débris.

2. Accrochez les clavettes sur les mécanismes de verrouillage de l'ensemble de bloc-moteur. Appuyez à fond sur les clavettes jusqu'à ce qu'elles se verrouillent en faisant pression contre les côtés du tambour.



Insertion du tuyau

Insérez l'extrémité du tuyau de remorquage « Tug-A-Long » où est situé le bouton de déclenchement à l'intérieur de l'orifice d'aspiration de l'appareil. Le tuyau devrait se mettre en place avec un bruit sec. Pour retirer le tuyau de l'aspirateur, appuyez sur le bouton de déclenchement sur le tuyau et tirez sur le tuyau jusqu'à ce qu'il sorte de l'orifice d'aspiration de l'appareil, tel que cela est illustré.



Fonctionnement

▲ AVERTISSEMENT : pour réduire le risque d'incendie, d'explosion ou d'endommagement de l'aspirateur :

- Ne laissez pas en marche pendant que vous êtes absent – vous vous risqueriez de manquer des signes importants indiquant un fonctionnement anormal, comme une perte de puissance d'aspiration, la sortie de débris ou de liquides par la bouche de soufflage d'air ou des bruits anormaux en provenance du moteur. Cessez immédiatement d'utiliser l'aspirateur si vous constatez de tels signes.
- Ne laissez pas l'aspirateur branché lorsque vous ne l'utilisez pas.
- Ne continuez pas à utiliser l'aspirateur lorsque le flotteur a coupé l'aspiration.
- N'utilisez pas l'aspirateur à des endroits où il y a des gaz ou vapeurs inflammables, ou des poussières explosives, dans l'air. Les étincelles à l'intérieur du moteur risqueraient de mettre feu à des matières inflammables en suspension dans l'air. Les gaz et vapeurs inflammables comprennent : essence à briquet, produits de nettoyage du type solvant, peinture à base d'huile, essence, alcool ou aérosols. Les poussières inflammables comprennent : charbon, magnésium, aluminium, grains ou poudre à canon.
- N'aspirez pas de poussières explosives, de liquides inflammables ou de cendres chaudes.
- Ne vous servez pas de l'aspirateur comme pulvérisateur.

▲ AVERTISSEMENT : pour réduire le risque de choc électrique ou de blessure :

- N'exposez pas à la pluie, et ne laissez pas de liquides pénétrer dans le compartiment du moteur. Rangez à l'intérieur.
- Ne touchez pas la fiche de branchement, l'interrupteur ou l'aspirateur si vous avez les mains mouillées.
- N'effectuez pas d'opération de maintenance pendant que l'aspirateur est branché. Si votre aspirateur ne fonctionne pas comme il devrait, si des pièces sont manquantes, si vous l'avez laissé tomber, s'il est endommagé, s'il a été laissé à l'extérieur ou s'il a été immergé dans de l'eau, rappelez-le dans un centre de réparation indépendant ou téléphonez au service d'assistance à la clientèle.
- Lorsque vous utilisez un cordon de rallonge, n'utilisez qu'un cordon prévu pour emploi à l'extérieur et en bon état. Ne laissez pas la connexion entrer en contact avec des liquides.
- Portez toujours des équipements protecteurs de sécurité appropriés pendant l'utilisation. Pour les rénovations en présence de peinture au plomb, voir les directives RRP de l'EPA.

Mettez l'appareil sous tension en appuyant sur l'interrupteur pour le faire passer de la position « 0 » à la position « I ». Les deux symboles internationaux qui figurent sur l'interrupteur indiquent, respectivement, la position de marche et la position d'arrêt de votre aspirateur.

○ = ARRÊT | = MARCHÉ

Il faut bien se familiariser avec les accessoires qui ont été inclus avec cet aspirateur. Chaque accessoire peut être utilisé de façons multiples pour l'aspiration ou le soufflage de débris. Voici une liste des accessoires et des divers moyens de les utiliser :

Diffuseur – Utilisez-le pour disperser le flux d'air d'échappement tout en réduisant le bruit. Insérez-le dans l'orifice de soufflerie.

Baguettes de rallonge – Ces baguettes peuvent être connectées ensemble et fournir une longueur supplémentaire pour atteindre des endroits plus éloignés.

Suceur turbo – Cet instrument actionné à l'air avec barre de battage est utilisé pour le nettoyage de grandes surfaces, comme de la moquette.

Tuyau – Permet de transférer la capacité d'aspirer ou de souffler sur le site de travail. Fournit le moyen de connecter des baguettes de rallonge et des suceurs.

Suceur tout usage – Suceur à usage universel pour la plupart des applications d'aspiration.

Suceur humide – Utilisé pour le ramassage de liquides sur des surfaces lisses, pour ramasser des liquides et sécher le sol en même temps.

Balai de 14 po – Utilisé pour les nettoyages de grandes surfaces lisses.

Brosse à épousseter – Peut être utilisée avec un tuyau flexible de 1-1/4 po ou de 2-1/2 po grâce à un adaptateur inclus.

Adaptateur de 2,5 po à 1,25 po – Permet d'adapter des accessoires à un tuyau de 2-1/2 po.

Fonctionnement (suite)

Aspiration de matériaux secs

1. Le filtre doit toujours être dans la position correcte afin de réduire le risque de fuites et d'endommagement de l'aspirateur.
2. Votre aspirateur de liquides et de poussières est fourni avec le filtre HEPA certifié déjà installé. Lors de l'utilisation de l'aspirateur pour ramasser des poussières très fines, il sera nécessaire de vider le tambour et de nettoyer le filtre à intervalles plus fréquents afin de continuer à bénéficier de la performance maximale de l'aspirateur. Pour obtenir les meilleurs résultats possibles, utilisez le filtre HEPA certifié (HF1000) en conjonction avec le préfiltre (HF0500) et le sac de collecte du filtre (VF3502).

REMARQUE: un filtre sec est nécessaire pour ramasser des matériaux secs. Si l'aspirateur est employé pour ramasser de la poussière alors que le filtre est humide, le filtre se bouchera très vite et il sera ensuite très difficile à nettoyer.

Aspiration de liquides

1. Lorsque vous ramassez de faibles volumes de liquides, le filtre à cartouche (HF1000) peut être laissé en place, mais le dépoussiéreur à sacs filtrants, s'il est utilisé, doit être retiré.
2. Lorsque vous ramassez de grands volumes de liquides, tous les filtres peuvent être retirés.

IMPORTANT : lorsque les filtres sont retirés, cet aspirateur ne satisfait plus aux directives du Règlement RRP de l'EPA pour le ramassage de débris secs.

3. Si les filtres sont retirés pendant le ramassage de liquides, le flotteur montera automatiquement pour couper la circulation de l'air. Lorsque ceci se produit, fermer l'aspirateur, débrancher le cordon électrique et vider le tambour. L'élévation du niveau du flotteur se remarque parce qu'elle correspond à l'arrêt de la circulation de l'air à l'intérieur de l'aspirateur et parce que le bruit du moteur devient alors plus aigu en raison de l'accélération de sa vitesse.
4. Après l'utilisation de l'aspirateur pour ramasser des liquides, il faut laisser les filtres sécher afin de réduire les risques d'apparition de moisissures et d'endommagement des filtres.

IMPORTANT : pour réduire le risque d'endommager l'aspirateur, il ne faut pas faire fonctionner le moteur pendant que le flotteur est en position élevée.

Vidage du tambour

1. Cet aspirateur est équipé d'un drain permettant d'évacuer facilement les liquides. Il suffit de dévisser le capuchon du drain et de soulever le côté opposé de l'aspirateur pour l'incliner légèrement afin de vider le tambour.
2. Une autre option possible consiste à retirer l'ensemble d'élément moteur.
3. Posez l'ensemble d'élément moteur sur le côté sur une surface propre tout en vidant le tambour.
4. Jetez le contenu du tambour dans une poubelle appropriée.

⚠ AVERTISSEMENT : pour réduire le risque de chute ou de blessure au dos il ne faut pas soulever un aspirateur plein de liquide ou de débris. Ramasser ou drainer suffisamment du contenu hors de l'aspirateur afin de rendre l'aspirateur assez léger pour le soulever confortablement.

Transport de l'aspirateur de liquides et de poussières

Si vous avez besoin de soulever l'aspirateur pour le déplacer, vous pouvez utiliser les poignées situées sur les côtés du tambour à poussière qui ont été conçues à cet effet. Utilisez la poignée de poussée et de tirage située sur l'élément moteur de l'appareil pour manoeuvrer l'aspirateur.

Fonctionnement (suite)

Fonction de soufflante

Votre aspirateur est muni d'un orifice de soufflante qui permet de chasser de la sciure ou d'autres débris. Veuillez réaliser les étapes suivantes pour utiliser votre aspirateur comme une soufflante.

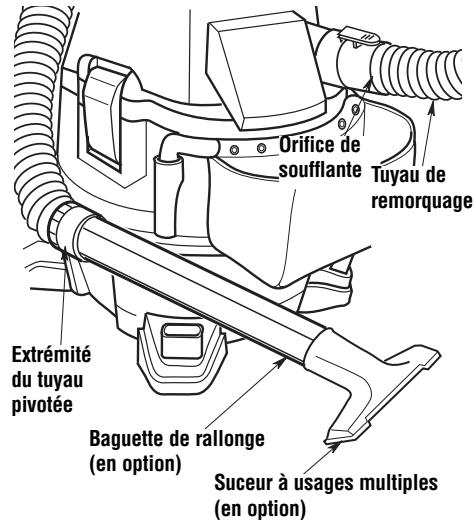
⚠ AVERTISSEMENT : il faut toujours porter des lunettes de protection conformes à la norme ANSI Z87.1 (ou, au Canada, CSA Z94.3) avant de se servir de l'aspirateur comme une soufflerie.

⚠ AVERTISSEMENT : pour ne pas risquer de causer des blessures à d'autres personnes, il est recommandé de leur demander de rester à distance suffisante des débris soufflés.

⚠ MISE EN GARDE : portez un masque anti-poussière si votre soufflage crée de la poussière qui pourrait être aspirée.

⚠ MISE EN GARDE : pour réduire le risque d'endommagement de l'ouïe, portez des protecteurs d'oreilles quand vous utilisez l'aspirateur/la souffleuse pendant de longues périodes ou quand vous l'utilisez dans un environnement bruyant.

1. Localisez l'orifice de soufflante sur votre aspirateur.
2. Insérez l'extrémité verrouillable du tuyau de remorquage à l'intérieur de l'orifice de soufflante de l'aspirateur. Le tuyau devrait se mettre en place d'un coup sec.
3. (Optionnel) Fixez la baguette de rallonge sur l'extrémité opposée du tuyau, puis placez le suceur pour véhicules sur la baguette.
4. Après avoir mis l'aspirateur sous tension, vous serez prêt à l'utiliser comme une soufflante.



Entretien

Filtre

▲ AVERTISSEMENT : pour réduire le risque de blessure en raison d'une mise en marche accidentelle, débrancher le cordon électrique avant de remplacer le filtre ou de le nettoyer.

Votre aspirateur professionnel de liquides et de poussières de 14 gallons est fourni avec un filtre HEPA certifié de RIDGID. Vous pouvez vous procurer des filtres HEPA certifiés de rechange à l'endroit où vous avez acheté votre aspirateur. Demandez le filtre HEPA HF1000 et le préfiltre HF0500 de RIDGID.

REMARQUE : ce filtre est fabriqué avec des matériaux HEPA de qualité élevée conçus pour intercepter de très petites particules de poussières. Le filtre peut être utilisé pour le ramassage de liquides ou de débris secs. Manipulez le filtre avec précaution lorsque vous le retirez pour le nettoyer ou pour l'installer. Suivez les directives de l'EPA pour effectuer un nettoyage conformément au Règlement RRP.

Retrait du filtre

Référez-vous à la section de la page 43, « Installation du filtre », de ce mode d'emploi.

Laisser sécher le filtre avant de le réinstaller et de ranger l'aspirateur.

IMPORTANT : après un nettoyage, inspectez tous les filtres pour vous assurer qu'ils ne sont pas déchirés ou troués. Ne pas utiliser un filtre déchiré ou troué. Même un petit trou peut laisser beaucoup de poussière sortir de l'aspirateur. Si un filtre est endommagé ou usé, remplacez-le immédiatement.

▲ AVERTISSEMENT : ne faites pas fonctionner sans la cage du filtre et le flotteur étant donné qu'ils empêchent l'entrée de liquide dans la roue et protègent ainsi le moteur contre les dommages pouvant en résulter.

IMPORTANT : pour éviter d'endommager le moteur et la roue de la soufflerie, toujours réinstaller le filtre avant d'utiliser l'aspirateur pour ramasser des matériaux secs.

Nettoyage et désinfection après un ramassage général de débris

Pour conserver l'esthétique optimale de votre aspirateur de poussières et de liquides, nettoyez la surface extérieure de l'aspirateur à l'aide d'un chiffon imbibé d'eau tiède savonneuse.

Procédure de nettoyage du tambour :

1. Vider les débris.
2. Nettoyez soigneusement le tambour à poussière à l'aide d'un savon doux et d'eau tiède.
3. Essuyer avec un chiffon sec.

Avant de ranger l'aspirateur pour une période prolongée, ou dans les cas nécessaires (par exemple après l'aspiration d'eaux usées), vous devez désinfecter le tambour.

Pour désinfecter le tambour :

1. Versez un gallon (presque 4 litres) d'eau et une cuillerée à thé de produit à blanchir à l'eau de javel dans le tambour.
2. Laissez la solution agir pendant 20 minutes, en remuant doucement de temps à autre pour vous assurer que toutes les surfaces du tambour restent humides.
3. Videz le tambour au bout de 20 minutes. Rincez à l'eau jusqu'à ce que l'odeur d'eau de javel ait disparu. Laissez sécher le tambour complètement avant de sceller le moteur sur le tambour.

Nettoyage et désinfection après un ramassage conforme au Règlement RRP

Si vous utilisez cet aspirateur conformément au règlement de l'EPA concernant la sécurité en cas de rénovations et de réparations en présence de peinture au plomb (Règlement RRP), suivez les directives établies par l'EPA.

Entretien (suite)

Entretien du cordon d'alimentation

Une fois votre travail d'aspiration terminé, débranchez le cordon d'alimentation et enroulez-le autour du couvercle du moteur. Si le cordon est endommagé, il doit être remplacé par le fabricant ou son représentant, ou par une autre personne ayant les compétences techniques nécessaires, afin de réduire le risque d'accident.

Rangement

Avant de ranger votre aspirateur, vous devez vider et nettoyer le tambour à poussières. Le cordon doit être enroulé autour de l'appareil et le tuyau flexible doit être rangé avec l'aspirateur. Vous devez garder les accessoires au même endroit que l'aspirateur de façon à pouvoir y accéder facilement. Vous devez ranger l'aspirateur à l'intérieur d'un bâtiment.

Roulettes

Si les roulettes sont bruyantes, vous pouvez mettre une goutte d'huile sur l'arbre porte-galet pour atténuer le bruit.

▲ AVERTISSEMENT : pour assurer la SÉCURITÉ et la FIABILITÉ du produit, les réparations et réglages doivent être effectués par des centres agréés de service après-vente en utilisant toujours des pièces de rechange RIDGID.

Pièces de rechange

**Aspirateur professionnel de liquides et de poussières de 14 gallons U.S. / 53 litres
avec filtration HEPA certifiée**

Numéros de stocks RV2400HF (Modèle RV2400HF0)

**Vous pouvez vous procurer des pièces de rechange RIDGID
en vous adressant à votre distributeur local RIDGID.**

Pour commander, utiliser toujours le numéro de pièce – pas le numéro de légende

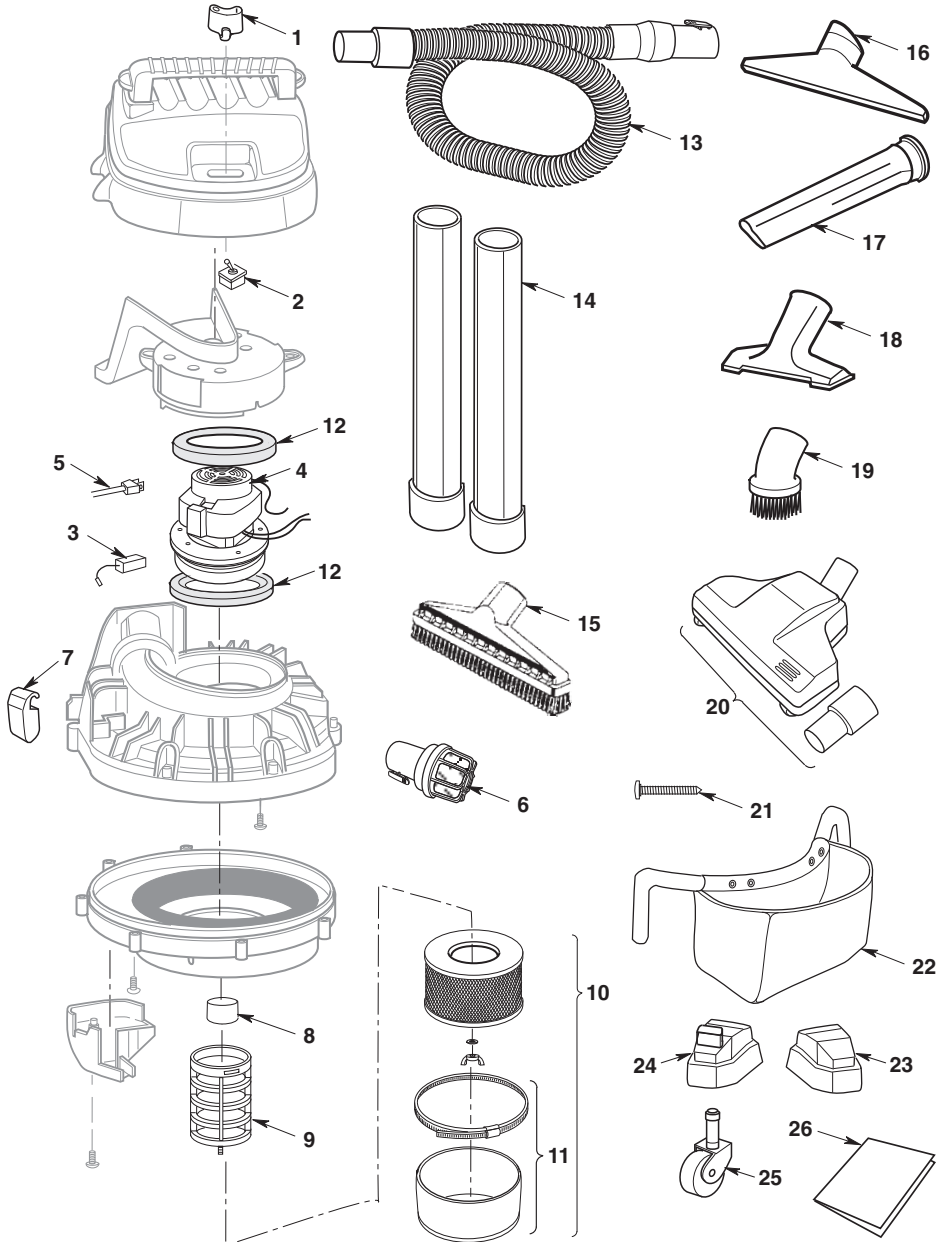
▲ AVERTISSEMENT : pour réduire le risque de blessure résultant de chocs électriques, débranchez le cordon d'alimentation avant de procéder à toute maintenance ou réparation de composants électriques de l'aspirateur.

Légende N°	RV2400HF Pièce N°	Description
1	830564	Actionneur d'interrupteur
2	73180	Interrupteur à bascule
3	822374-8	Balais de moteur (1 jeu)
4	831567	Ensemble du moteur
5	831657	Ensemble de cordon
6	VT2525	Diffuseur
7	833424	Verrou de tambour
8	831388	Flotteur
9	833499	Cage du filtre
10	HF1000	Filtre HEPA, rondelle, écrou à oreille (inclut également HF0500)
11	HF0500	Préfiltre, collier de serrage
12	827415	Joints étanches pour le moteur (2)
13	831337-7	Tuyau flexible Tug-A-Long
14	VT2508	Baguet de rallonge
15	VT2514	Balai
16	VT2510	Suceur humide
17	VT2502	Suceur plat
18	VT2509	Suceur à usages multiples
19	VT2501	Brosse à épousseter
20	VT2571	Suceur turbo à « barre de battage » avec adaptateur
21	820563-12	Vis de type « AB » N° 10 x 1-3/4
22	830717	Sac de rangement des accessoires
23	830715	Pieds à roulettes, avant
24	830716	Pieds à roulettes, arrière
25	73102	Roulettes
26	SP6775	Mode d'emploi

Pièces de rechange (suite)

Les pièces RIDGID sont disponibles sur notre site Web à l'adresse suivante : www.ridgidparts.com

⚠ AVERTISSEMENT : pour réduire le risque de blessure résultant de chocs électriques, débranchez le cordon d'alimentation avant de procéder à toute maintenance ou réparation de composants électriques de l'aspirateur.



RIDGID®



- **Ce qui est couvert par la garantie**

Les aspirateurs de liquides et de poussières RIDGID® sont garantis sans défauts de matériau ou de façon.

- **Durée de la garantie**

Cette garantie est valable pendant toute la durée de vie de l'aspirateur de liquides et de poussières RIDGID®.

- **Le service après-vente**

Pour tirer parti de cette garantie, le produit complet doit être renvoyé en port payé à RIDGE TOOL COMPANY, Elyria, Ohio ou bien à un quelconque CENTRE DE SERVICE APRÈS-VENTE RIDGID® AGRÉÉ. Les clés à tube et autres outils à main devront être renvoyés au point de vente où ils ont été achetés.

- **Les mesures de rectification des problèmes**

Les aspirateurs de liquides et de poussières sous garantie seront réparés ou remplacés, au choix de Ridge Tool Company, et ils vous seront renvoyés gratuitement; ou, si au bout de trois tentatives de réparation ou de remplacement pendant la période de garantie, l'aspirateur de liquides et de poussières est toujours défectueux, vous pourrez demander à obtenir un remboursement intégral de votre prix d'achat.

- **Ce qui n'est pas couvert par la garantie**

Les défaillances causées par une utilisation abusive ou non conforme aux instructions, ou par l'usure ordinaire, ne sont pas couvertes par cette garantie. **RIDGE TOOL COMPANY N'EST RESPONSABLE D'AUCUN DOMMAGE SECONDAIRE OU INDIRECT.**

- **Effet des lois locales sur cette garantie**

Au Canada, certaines provinces ne permettent peut-être pas l'exclusion ou la limitation des dommages secondaires ou indirects; par conséquent, il est possible que l'exclusion ou la limitation susmentionnée ne s'applique pas à vous. Cette garantie vous confère des droits contractuels spécifiques, et vous disposez peut-être d'autres droits qui peuvent varier d'une province à l'autre.

- **Aucune autre garantie expresse ne s'applique**

La présente GARANTIE À VIE COMPLÈTE est la garantie unique et exclusive concernant les produits RIDGID®. Aucun salarié, agent, distributeur ou autre n'est autorisé à modifier cette garantie ou à offrir une quelconque autre garantie de la part de Ridge Tool Company.

Stock N° RV2400HF

Modèle N° RV2400HF0

Numéro de série _____

Le numéro du modèle et le numéro de série sont indiqués à l'arrière de l'ensemble d'électrobrosse. Il est recommandé d'inscrire ces deux numéros en lieu sûr pour référence future.

**EN CAS DE QUESTIONS OU POUR OBTENIR DES INFORMATIONS,
VEUILLEZ NOUS CONTACTER AU :**

www.ridgidvac.com

**1-800-4-RIDGID (1-800-474-3443) depuis les États-Unis et le Canada
01-800-701-9811 depuis le Mexique**

© 2011 Emerson


EMERSON™
Professional Tools

Emerson Tool Company
Une division de
Emerson Electric Co.

Pièce N° SP6775

Imprimé N° SP6775-1

Imprimé au Mexique 08/11