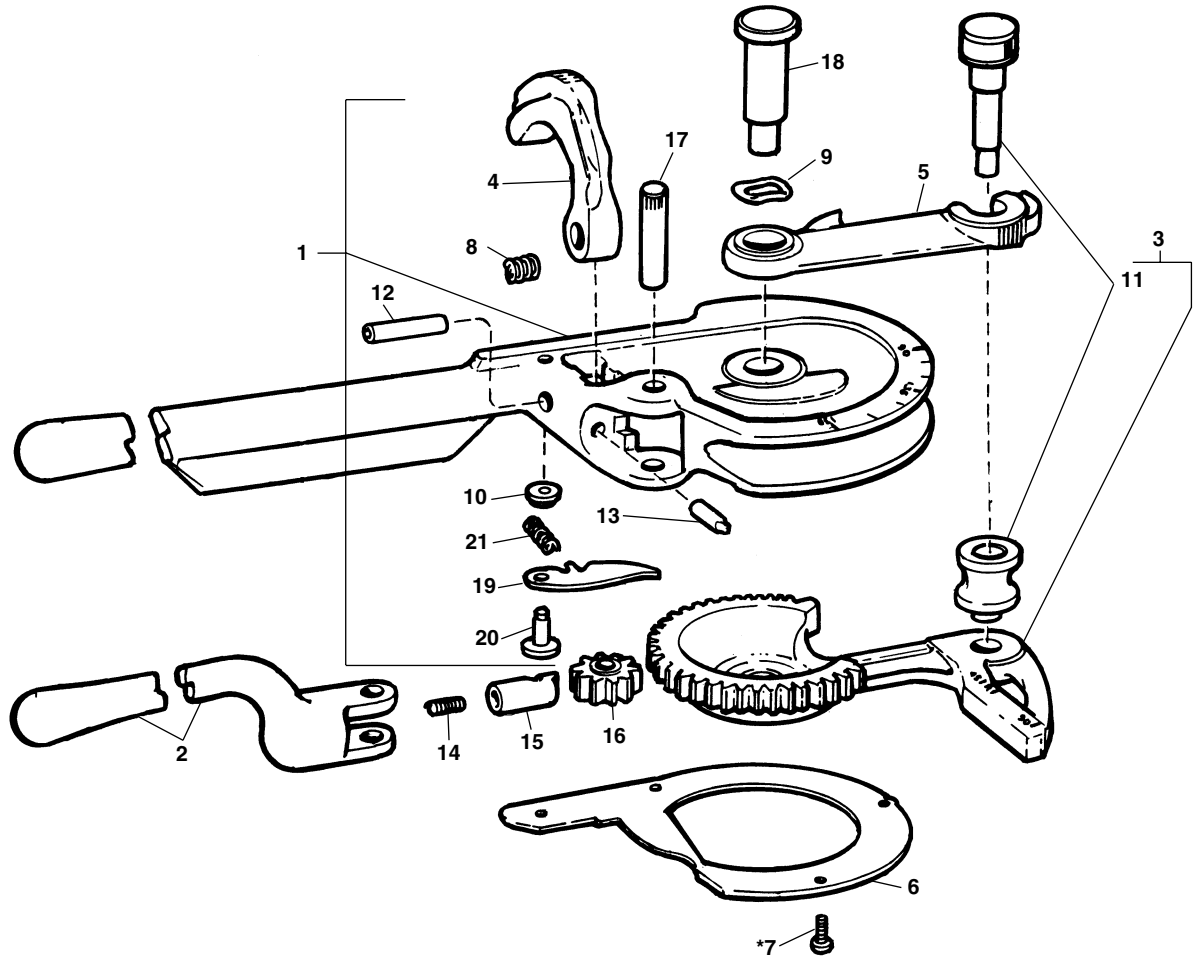


No. 358
No. 368
No. 378



**NOTE: Order parts by Catalog Number only.
DO NOT order by Reference Number.**

| Ref. No. | Description | No. 358 | No. 368 | No. 378 |
|----------|--|---------------------------|---------------------------|---------------------------|
| | | $\frac{5}{8}$ " O.D. Tube | $\frac{3}{4}$ " O.D. Tube | $\frac{7}{8}$ " O.D. Tube |
| | | Catalog No. | Catalog No. | Catalog No. |
| 1 | Form Handle Assembly | 35315 | 35415 | 35430 |
| 2 | Ratchet Handle | 35320 | 35435 | 35435 |
| 3 | Drive Arm Assembly | 35325 | 96275 | 35440 |
| 4 | Latch | 35340 | 35420 | 35445 |
| 5 | Swinging Arm | 35330 | 35450 | 35450 |
| 6 | Back Plate | 35335 | 35455 | 35455 |
| 7 | Screw (4) 4-40 x $\frac{3}{8}$ " (old style) | 46130 | 46130 | 46130 |
| | Screw (4) 8-32 x $\frac{3}{8}$ " | 43317 | 43317 | 43317 |
| 8 | Latch Spring | 35350 | 35350 | 35350 |
| 9 | Wave Spring | 35365 | 35365 | 35365 |
| 10 | Holding Pawl Spacer | 35405 | 35405 | 35405 |
| 11 | Roll w/Roll Shaft | 35345 | 35425 | 35460 |
| 12 | Latch Pin | 35355 | 35465 | 35465 |
| 13 | Release Pin | 35360 | 35470 | 35470 |
| 14 | Paw Spring | 35410 | 35475 | 35475 |
| 15 | Ratchet Pawl | 35375 | 35480 | 35480 |
| 16 | Pinion | 35380 | 35485 | 35485 |
| 17 | Pinion Pin | 35385 | 35490 | 35490 |
| 18 | Pivot Pin | 35390 | 35495 | 35495 |
| 19 | Holding Pawl | 35395 | 35500 | 35500 |
| 20 | Holding Pawl Pin | 35400 | 35505 | 35505 |
| 21 | Holding Pawl Spring | 35370 | 35510 | 35510 |