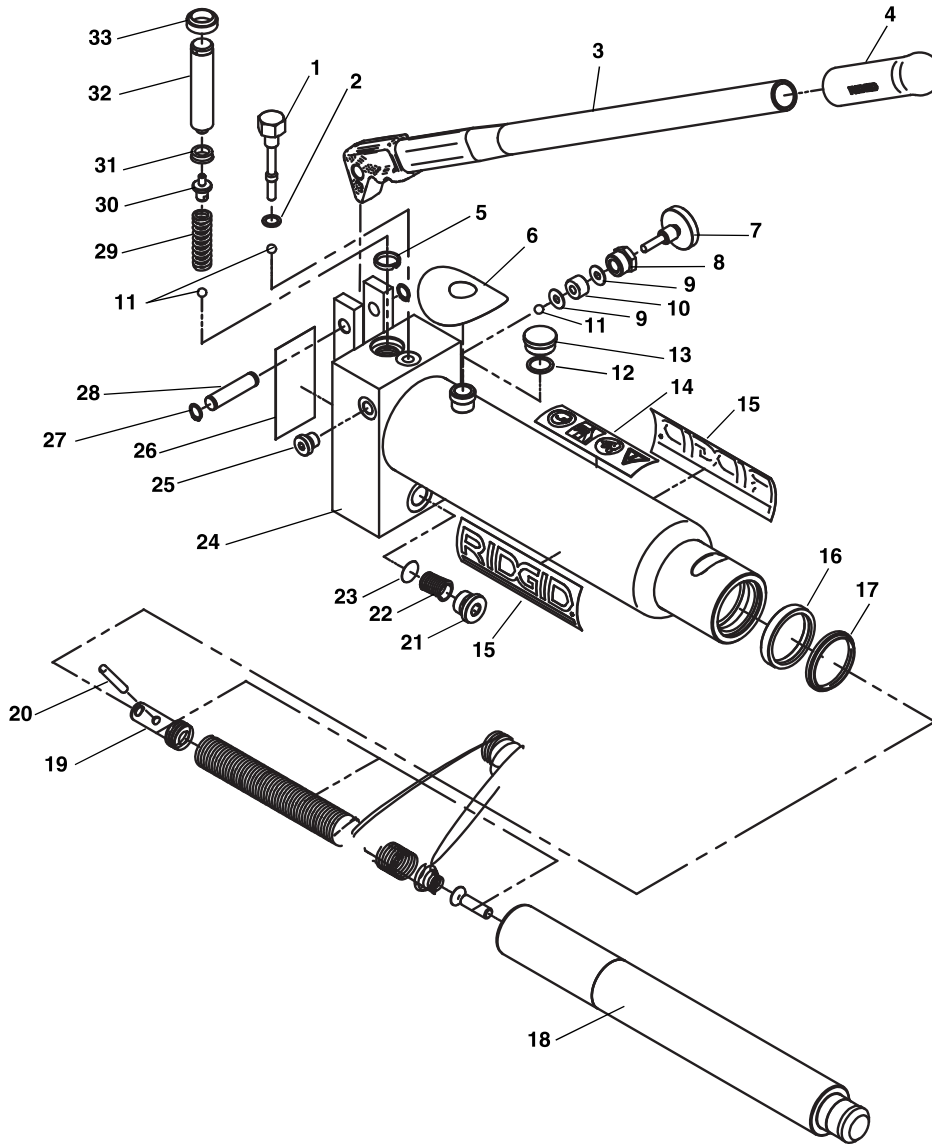


**NOTE: Order parts by Catalog Number only.  
DO NOT order by Reference Number.**

Ref. No.	HB382	HB383	Description
	Catalog No.	Catalog No.	
1			Pump Assembly
2	37603	37838	U-Bracket
3	37273	37278	Corner Support Assembly
4	38083	38078	Frame
5	37253	37253	Former 2"
	NA	37258	Former 2 1/2"
	NA	37263	Former 3"
6	37238	37238	Former 1"
7	37233	37233	Former 3/4"
8	37228	37228	Former 1/2"
9	37248	37248	Former 1 1/2"
10	37223	37223	Former 3/8"
11	37243	37243	Former 1 1/4"
12	37618	37618	Straightener Former
13	37293	37298	Corner Pin
	37828	37828	Transport Wheel Kit
		38568	Extender



**NOTE: Order parts by Catalog Number only.  
DO NOT order by Reference Number.**

Ref. No.	Catalog No.	Description	Ref. No.	Catalog No.	Description
	38088	HB382 Pump Assembly	18	38193	HB382 Ram
	38093	HB383 Pump Assembly		38198	HB383 Ram
1	38098	Safety Screw	19	38203	Pull Spring
2*	38103	O-Ring	20	38208	Pin
3	38108	Handle Lever	21	38213	Plug
4	38113	Handle Grip	22	38218	Spring
5*	38118	Guide Seal	23*	38223	Filter
6	38123	Operating Decal	24	38228	HB382 Pump Body
7	38128	Release Knob		38233	HB383 Pump Body
8	38133	Ring Nut	25	38238	Plug
9*	38138	Copper Washer	26	38243	HB382 Name Plate
10*	38143	Rubber Packing		38248	HB383 Name Plate
11*	38148	Package of 3 Balls	27	38253	Package of 2 Rings
12	38153	O-Ring	28	38258	Pin
13	38158	Fill Cap	29	38263	Spring
14	38163	Warning Label	30	38268	Pin
15	38168	RIDGID LabelHB 382	31*	38273	Seal
16*	38173	HB382 Seal	32	38278	Press Ram
	38178	HB383 Seal	33*	38283	Scraper
17*	38183	HB382 Scraper	34	38288	HB382 Repair Kit
	38188	HB383 Scraper	35	38293	HB383 Repair Kit

\*NOTE: Items marked with an asterick (\*) are included in repair kits Ref.34.