

918 Roll Groover



- Français – 23
- Castellano – pág. 47
- Deutsche – 73

Table of Contents

Safety Symbols	2
General Power Tool Safety Warnings	
Work Area Safety	2
Personal Safety	2
Power Tool Use And Care	3
Service	3
Specific Safety Information	
Roll Groover Safety	3
RIDGID Contact Information	4
Description	4
Specifications	5
Standard Equipment	5
Assembly	5
Assembling 918 to Bases for Various Machines	5
Pre-Operation Inspection	6
Machine and Work Area Set-Up	7
Installing 918 On 300 Power Drive	7
Installing 918 On 300 Compact/1233 Threading Machines	8
Installing On 535 and 1224 Threading Machines	9
Operation	10
Pipe Preparation	11
Advance/Retract The Groove Roll	11
Loading Pipe in Roll Groover	11
Setting/Adjusting Groove Diameter	13
Stabilizer Operation	13
Grooving Operation	14
Tracking Tips	15
Inspect/Measure the Groove	15
Preparing Machine for Transport	15
Storage	16
Maintenance Instructions	
Cleaning	16
Lubrication	16
Hydraulic Fluid Level	16
Changing Roll Sets	17
Troubleshooting	18-20
Service and Repair	20
Optional Equipment	20
Disposal	20
Table I, Pipe Wall Thickness	21
Table II, Standard Roll Groove Specifications	21
Table III, Copper Roll Groove Specifications	22
Lifetime Warranty	Back Cover

*Original Instructions - English

Roll Groover

918 Roll Groover





⚠ WARNING!

Read this Operator's Manual carefully before using this tool. Failure to understand and follow the contents of this manual may result in electrical shock, fire and/or serious personal injury.


Safety Symbols


In this operator's manual and on the product, safety symbols and signal words are used to communicate important safety information. This section is provided to improve understanding of these signal words and symbols.


 This is the safety alert symbol. It is used to alert you to potential personal injury hazards. Obey all safety messages that follow this symbol to avoid possible injury or death.


 **DANGER** DANGER indicates a hazardous situation which, if not avoided, will result in death or serious injury.


 **WARNING** WARNING indicates a hazardous situation which, if not avoided, could result in death or serious injury.


 **CAUTION** CAUTION indicates a hazardous situation which, if not avoided, could result in minor or moderate injury.


 **NOTICE** NOTICE indicates information that relates to the protection of property.


 This symbol means read the operator's manual carefully before using the equipment. The operator's manual contains important information on the safe and proper operation of the equipment.


 This symbol indicates that the pipe to be grooved should be a minimum of 8" (200 mm) long to reduce the risk of injury.

 This symbol means always wear safety glasses with side shields or goggles when handling or using this equipment to reduce the risk of eye injury.

 This symbol means do not reach inside of pipe being grooved to reduce the risk of entanglement, cutting, crushing and other injuries.

 This symbol indicates the risk of machine tipping, causing striking or crushing injuries.

 This symbol means always use a foot switch when using the machine to reduce the risk of injury.

 This symbol indicates the risk of fingers and hands being crushed between the groove rolls.

General Power Tool Safety Warnings

 **WARNING**
Read all safety warnings, instructions, illustrations and specifications provided with this power tool. Failure to follow all instructions listed below may result in electric shock, fire and/or serious injury.

SAVE ALL WARNINGS AND INSTRUCTIONS FOR FUTURE REFERENCE!

The term "power tool" in the warnings refers to your mains-operated (corded) power tool or battery-operated (cordless) power tool.

Work Area Safety

- **Keep your work area clean and well lit.** Cluttered or dark areas invite accidents.
- **Do not operate power tools in explosive atmospheres, such as in the presence of flammable liquids, gases, or dust.** Power tools create sparks which may ignite the dust or fumes.
- **Keep children and bystanders away while operating a power tool.** Distractions can cause you to lose control.

Personal Safety

- **Stay alert, watch what you are doing and use common sense when operating a power tool. Do not use a power tool while you are tired or under the influence of drugs, alcohol, or medication.** A moment of inattention while operating power tools may result in serious personal injury.
- **Use personal protective equipment. Always wear eye protection.** Protective equipment such as dust mask, non-skid safety shoes, hard hat, or hearing protection used for appropriate conditions will reduce personal injuries.
- **Prevent unintentional starting. Ensure the switch is in the OFF-position before connecting to power source and/or battery pack, picking up or carrying the tool.** Carrying power tools with your finger on the switch or energizing power tools that have the switch ON invites accidents.
- **Remove any adjusting key or wrench before turning the power tool ON.** A wrench or a key left attached to a rotating part of the power tool may result in personal injury.
- **Do not overreach. Keep proper footing and balance**

at all times. This enables better control of the power tool in unexpected situations.

- **Dress properly. Do not wear loose clothing or jewelry. Keep your hair and clothing away from moving parts.** Loose clothes, jewelry, or long hair can be caught in moving parts.
- **Do not let familiarity gained from frequent use of tools allow you to become complacent and ignore tool safety principles.** A careless action can cause severe injury within a fraction of a second.

Power Tool Use and Care

- **Do not force the power tool. Use the correct power tool for your application.** The correct power tool will do the job better and safer at the rate for which it is designed.
- **Do not use power tool if the switch does not turn it ON and OFF.** Any power tool that cannot be controlled with the switch is dangerous and must be repaired.
- **Disconnect the plug from the power source and/or remove the battery pack, if detachable, from the power tool before making any adjustments, changing accessories, or storing power tools.** Such preventive safety measures reduce the risk of starting the power tool accidentally.
- **Store idle power tools out of the reach of children and do not allow persons unfamiliar with the power tool or these instructions to operate the power tool.** Power tools are dangerous in the hands of untrained users.
- **Maintain power tools and accessories. Check for misalignment or binding of moving parts, breakage of parts and any other condition that may affect the power tool's operation. If damaged, have the power tool repaired before use.** Many accidents are caused by poorly maintained power tools.
- **Use the power tool, accessories and tool bits etc. in accordance with these instructions, taking into account the working conditions and the work to be performed.** Use of the power tool for operations different from those intended could result in a hazardous situation.
- **Keep handles and grasping surfaces dry, clean and free from oil and grease.** Slippery handles and grasping surfaces do not allow for safe handling and control of the tool in unexpected situations.

Service

- **Have your power tool serviced by a qualified repair person using only identical replacement parts.** This will ensure that the safety of the power tool is maintained.

Specific Safety Information

⚠ WARNING

This section contains important safety information that is specific to this tool. Read these precautions carefully before using 918 Roll Groover to reduce the risk of electrical shock or other serious injury.

SAVE ALL WARNINGS AND INSTRUCTIONS FOR FUTURE REFERENCE!

Keep this manual with the machine for use by the operator.

Roll Groover Safety

- **Keep hands away from groove rolls.** Do not wear loose fitting gloves. Fingers can be crushed between groove rolls, groove roll and pipe or between pipe and stabilizer wheel.
- **Keep hands away from ends of pipe. Do not reach inside pipe. Do not touch groove while operating.** Burrs and sharp edges can catch and cut. Fingers can be crushed between groove rolls or between groove roll and pipe.
- **Keep guards in place. Do not operate the roll groover with the guard removed.** Exposure to groove rolls may result in entanglement and serious injury.
- **Only groove pipe 8" (200 mm) or longer.** Grooving shorter than specified pipe can result in entanglement and crushing injuries.
- **Do not wear loose clothing when operating machine. Keep sleeves and jackets buttoned. Do not reach across the machine or pipe.** Clothing can be caught by the pipe or machine resulting in entanglement.
- **Do not use this roll groover with a power drive or threading machine that does not have a foot switch. Never block a foot switch in the ON position so it does not control the machine.** A foot switch provides better control by letting you shut off the machine motor by removing your foot. If entanglement should occur and power is maintained to the motor, you will be pulled into the machine. This machine has high torque and can cause clothing to bind around your arm or other body parts with enough force to crush or break bones or cause striking or other injuries.
- **Be sure that the roll groover, pipe, stands and machine are stable.** Be sure the roll groover is prop-

erly set up and secured. This will help prevent tipping of the equipment and pipe. **Properly support the pipe.** This will help to prevent the tipping of the pipe and equipment.

- **Properly prepare and handle pipe.** Burrs and sharp edges can catch and cut.
- **One person must control the work process, machine operation and foot switch.** Only the operator should be in the work area when the machine is running. This helps reduce the risk of injury.
- **Restrict access or barricade the area when workpiece extends beyond machine to provide a minimum of one meter (3 feet) clearance from the workpiece.** Restricting access or barricading the work area around the workpiece will reduce the risk of entanglement.
- **Only use power drives and threading machines that operate under 58 rpm.** Higher speed machines increase the risk of injury.
- **Always wear appropriate personal protective equipment while setting up and using the roll groover.** Appropriate personal protective equipment always includes eye protection and may include equipment such as tight fitting leather gloves and steel toed footwear.
- **Only use roll groover to groove pipe of recommended sizes and types according to these instructions.** Other uses or modifying the roll groover for other applications may increase the risk of injury.
- **Before operating roll groover, read and understand:**
 - This operator’s manual
 - The operators’ manual for Power Drive or Threading Machine
 - The fitting manufacturer’s installation instructions
 - The instructions for any other material or equipment used with this tool

Failure to follow all instructions and warnings may result in property damage and/or serious injury.

RIDGID Contact Information

- If you have any question concerning this RIDGID® product:
- Contact your local RIDGID distributor.
 - Visit RIDGID.com to find your local RIDGID contact point.
 - Contact Ridge Tool Technical Service Department at rttechservices@emerson.com, or in the U.S. and Canada call (800) 519-3456.

Description

The RIDGID® 918 Roll Groover is designed to form rolled grooves in steel, stainless steel, aluminum, PVC pipes and copper tubes. The grooves are formed by hydraulically advancing the groove roll into the pipe, which is supported by the drive roll.

The 918 Roll Groover typically includes two groove and drive roll sets for grooving pipe:

- 2"-6" schedule 10 and 40 steel pipe
- 8"-12" schedule 10 and 8" Schedule 40 steel pipe

Other materials can be grooved – see tables in appendix. Other groove and drive shaft sets are required for other sizes and copper tubing.

A two-stage hydraulic hand pump is used to advance the groove roll into the pipe to form grooves. An adjustment nut is included to control groove diameter.

An adjustable stabilizer is provided to aid in maintaining tracking and control of the pipe during grooving, especially pipe lengths approaching the 8" minimum pipe length.

The groover can be driven by a variety of RIDGID machines. Different mounting kits are required for each machine.

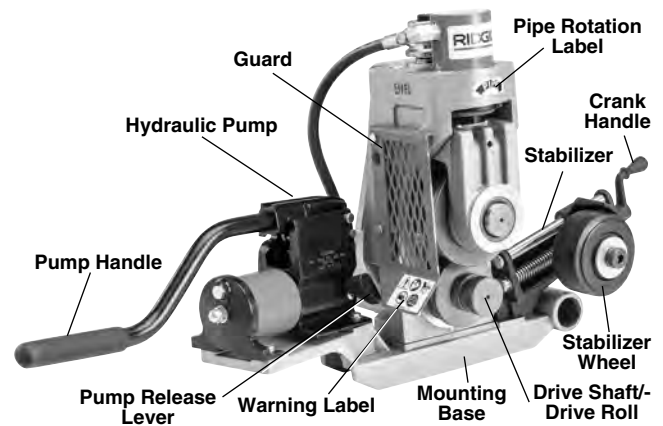


Figure 1A – 918 Roll Groover

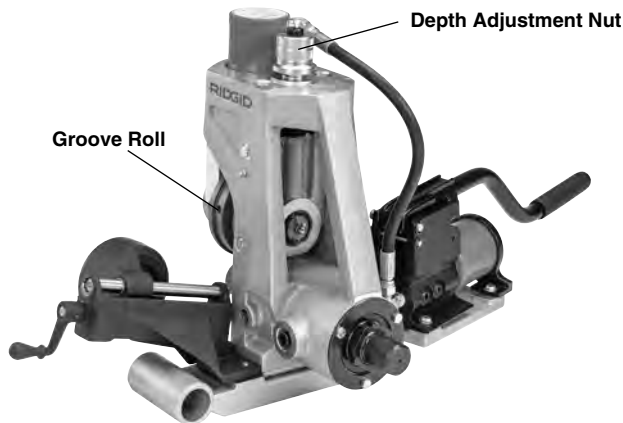


Figure 1B – 918 Roll Groover

Specifications

Materials, Pipe.....	Steel, Stainless Steel, Aluminum and PVC
Capacity	
Standard Groove Roll Sets.....	2"-6" schedule 10 and 40 steel pipe
Optional Groove Roll sets.....	8"-12" schedule 10 and 8" Schedule 40* steel pipe 1-1/4" to 1-1/2" schedule 10 and 40 steel pipe 2" - 6" Copper Tube (Type K, L, M, & DWV) <i>Refer to the Table I, II and III for other materials and wall thicknesses</i>
Depth Adjustment.....	Depth Adjustment Nut
Actuation	2 Stage Hydraulic Hand Pump
Stabilizer.....	Manually adjusted, for 2 1/2" to 12" Pipe
Mounting Bases Available.....	RIDGID 300 Power Drive RIDGID 1224 Threading Machine RIDGID 535A/M Threading Machine RIDGID 300 Compact/1233 Threading Machine
Weight (918, 300 PD Base, Stabilizer)	82 lbs. (37 kg)
Dimensions (918, 300 PD Base, Stabilizer) (WxDxH).....	35" x 14" x 17.5" (889 mm x 356 mm x 445 mm)

*Do not use to groove 8" schedule 40 steel pipe harder than 150 BHN. This may result in improperly formed/out of specification grooves.

NOTICE When properly used, the Model 918 Roll Groover is designed to make grooves in 1" - 12" pipe that are dimensionally within the specifications of AWWA C606-15. Improper use of this equipment can make out of specification grooves and damage the pipe and equipment.

Selection of appropriate materials and joining methods is the responsibility of the system designer and/or installer. Before any installation is attempted, careful evaluation of the specific service environment, including chemical environment and service temperature, should be completed. Selection of improper materials and methods could cause system failure.

Stainless steel and other corrosion resistant materials can be contaminated during installation, joining and forming. This contamination could cause corrosion and premature failure. Careful evaluation of materials and methods for the specific service conditions, including chemical and temperature, should be completed before any installation is attempted.

Standard Equipment

Refer to the RIDGID catalog for details on accessories supplied with specific machine catalog numbers.

Assembly

⚠ WARNING

To reduce the risk of serious injury during use, follow these procedures for proper assembly.

Assembling 918 to Bases for Various Machines

1. Mount the 918 on appropriate machine base, aligning with 1/2" holes. When installing on the 1224 base, install the spacer plate between the base and 918. Insert two 1/2" bolts from underside of base and securely tighten with 3/4" Wrench.
2. Mount the hydraulic pump on the base and secure with four 1/4" bolts, securely tighten with 7/16" wrench. For the 1224 base, the pump bracket will need to be mounted to the base, and the pump attached to the pump bracket.
3. Mount the stabilizer on the base. Insert two 3/8" screws through the base and securely tighten with 5/16" hex key.
4. For the 1233/300 Compact, loosely attach the rail clamp to the underside of the base.
5. See Figures For details.

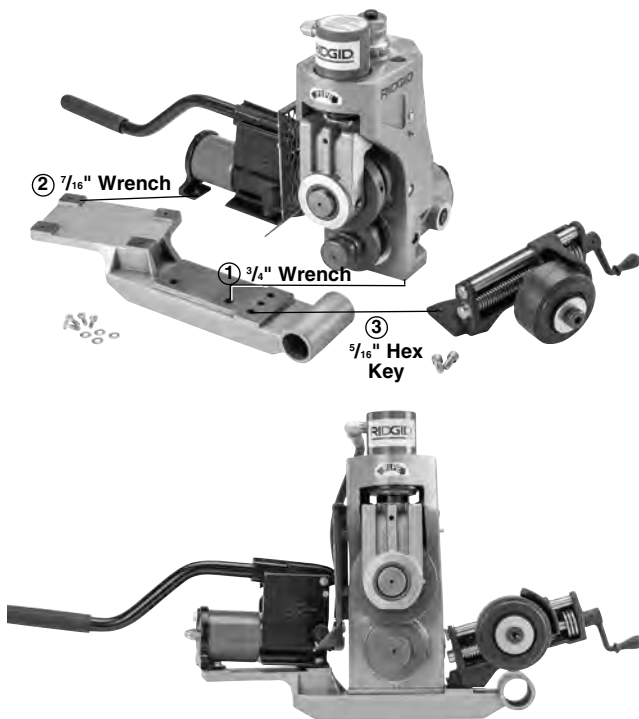


Figure 2 – Assembling 918 to 300 PD Base

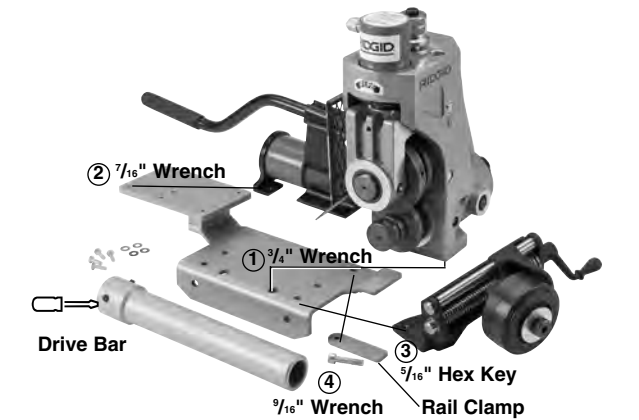


Figure 3 – Assembling 918 to 300 Compact/1233 Base

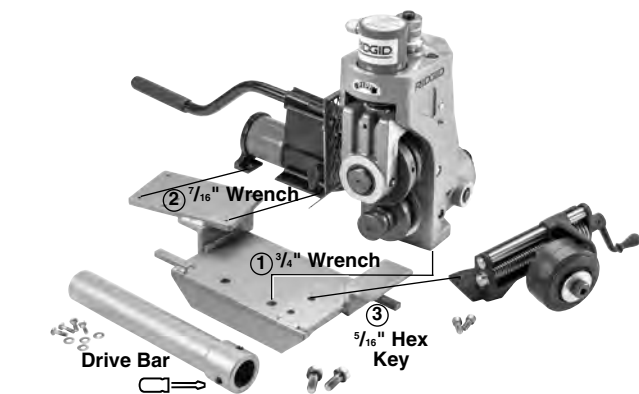


Figure 4 – Assembling 918 to 535 Base

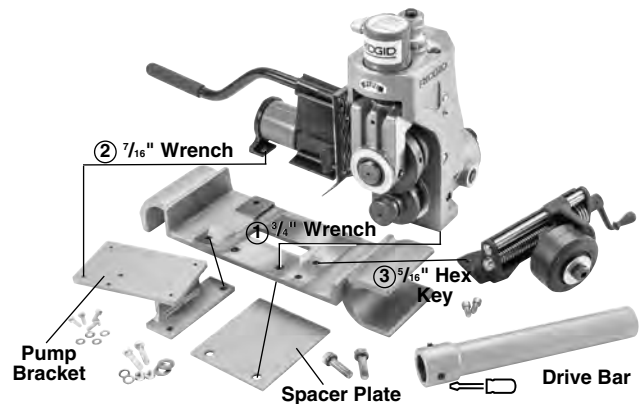


Figure 5 – Assembling 918 to 1224 Base

Pre-Operation Inspection

⚠ WARNING



Do not use this roll groover with a power drive/threading machine that does not have a foot switch

Before each use, inspect your roll groover and correct any problems to reduce the risk of serious injury from crushing injuries and other causes and prevent roll groover damage.

1. If installed on a machine, place the machine switch in the OFF position and unplug.
2. Clean any oil, grease or dirt from the roll groover, including the pump handle and stabilizer crank handle. This aids inspection and helps prevent the machine or control from slipping from your grip.
3. Inspect the roll groover for the following:
 - Proper assembly, maintenance and completeness.
 - Broken, worn, missing, misaligned or binding parts.
 - Hydraulic leaks. Oil on the groover can indicate a hydraulic leak.
 - Presence and condition of the guard (See Figure 1). Do not operate the roll groover without the guard.
 - Presence and readability of the warning label (see Figure 6).
 - Condition of the groove roll and drive roll. If the drive roll knurls are dirty, clean with a wire brush. Dirty or worn knurls can cause pipe slippage and tracking issues during grooving.

- Condition of the stabilizer wheel. Replace if needed.
- Any other condition which may prevent safe and normal operation.
- If any issues are found, do not use the roll groover until the issues have been repaired.

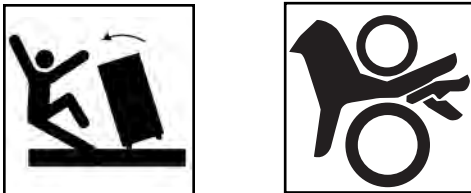


Figure 6 – Warning Label

4. Inspect and maintain any other equipment being used per its instructions to make sure it is functioning properly. Confirm that the Power Drive or Threading Machine has a foot switch in good working condition.

Machine and Work Area Set-Up

⚠ WARNING



Set up the roll groover and the work area according to these procedures to reduce the risk of injury from machine tipping, crushing and other causes, and to help prevent machine damage.

Be aware of the equipment weight. Use appropriate methods when lifting or moving.

Secure roll groover to power drive or threading machine. Properly support pipe. This will reduce the risk of falling pipe, tipping and serious injury.

1. Locate a work area that has the following:
 - Adequate lighting.
 - Clear, clean, level, stable and dry place for all equipment and operator. Clean up any oil that may be present.
2. Inspect the pipe to be grooved and determine the correct tool for the job, see *Specifications*. Grooving equipment for other applications can be found in the RIDGID catalog online at RIDGID.com. Do not use to

groove anything other than straight stock. Do not groove pipe with protrusions or outlets such as Tees or elbows. This increases the risk of entanglement.

3. Confirm all equipment to be used has been properly inspected and assembled. Confirm that the correct grooving roll set is installed in the roll groover for the application.

NOTICE Use of roll sets (groove roll and drive roll) on both carbon and stainless steel pipe can lead to contamination of the stainless steel material. This contamination could cause corrosion and premature pipe failure. To prevent ferrous contamination of stainless steel pipe, use roll sets dedicated for stainless steel grooving. Alternately, a stainless steel wire brush can be used to thoroughly clean the roll set when switching between materials.

4. Set up the Power Drive or Threading Machine per its instructions in the flat level area. Confirm that the REV/O-OFF/FOR switch is in the OFF position.

If using the 918 with a 535A (Auto Chuck) machine, it is recommended that the machine be configured for the chuck jaws to grip the pipe during REV rotation of the machine. This allows the stabilizer to be used when grooving. See the *535 Auto Chuck Manual, Left Hand Threading* section for information on configuring the chuck jaws to grip the pipe during REV rotation of the machine.

5. Install 918 on Power Drive/Threading Machine – see *section for setting up on specific equipment*. Confirm that the equipment is secure and stable.
6. Position the foot switch for proper operation as shown in *Figure 18*.
7. After the 918 is properly installed, with dry hands, plug machine into appropriate outlet per its instructions.

Installing 918 On 300 Power Drive

1. Confirm 918 and base are properly assembled.
2. Remove carriage or other attachments from the support arms of the 300 Power Drive. Confirm that the power drive support arms are fully extended and fixed in position.
3. Fully open front chuck of power drive.
4. Slide the opening in the base (stabilizer side) over the rear support arm and lower the pump to the front support arm (*Figure 7A*).
5. Move the base toward the 300 Power Drive

6. Center drive shaft in the machine chuck. Align the drive shaft flats with the machine chuck jaws.
7. Securely tighten the front chuck on the flats of the drive shaft. See *Figure 7B*.



Figure 7A – Installing 918 on 300 Power Drive



Figure 7B – Securing Drive Shaft In Chuck

Installing 918 On 300 Compact/1233 Threading Machines

If the 300 Compact or 1233 threading machines are mounted on straight pipe legs into the machine base, do not use with the 918 roll groover. The set up may not be stable enough for grooving forces. Pipe legs with feet that provide improved stability (Catalog # 56532) are available for this use. See *Figure 8A* for proper orientation of the legs. The 10 mm bolts will go through the holes in the leg to properly orient the foot of the leg.

The 918 Roll Groover cannot be used with machines mounted on the 250 Folding Stand. The stand handle interferes with the pipe being grooved. The 918 with the appropriate base can be used with the 100A/150A/200A stands.

1. Confirm that the 918 is properly assembled on the correct base for the machine it will be used with.
2. Position machine carriage towards front chuck and swing carriage mounted tools up away from the operator. Position reamer inside the die head to secure and reduce risk of contact.
3. Fully open front chuck of threading machine. Insert drive bar into machine chuck, but do not secure at this time.
4. Place the open slot (pump side) of the base over the front carriage rail (*Figure 8B*) and lower the stabilizer to the rear carriage rail.
5. Place the drive bar over the drive shaft flats. Align the drive shaft flats with set screws in the drive bar and securely tighten the set screws.
6. With the 918 positioned at the end of the threading machine securely tighten the machine front chuck on the drive bar. See *Figure 8C*.
7. Place the rail clamp under the rear carriage rail and secure. See *Figure 8D*.



Figure 8A – Catalog # 56532 Legs with feet installation



Figure 8B – Installing 918 on 1233 Threading Machine

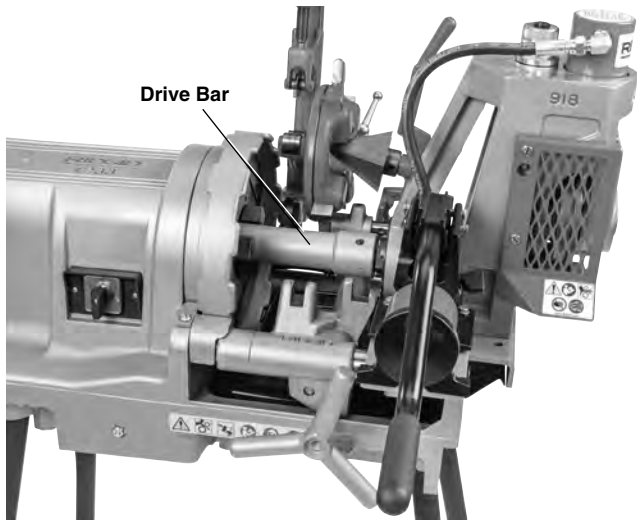


Figure 8C – Drive Bar Installation

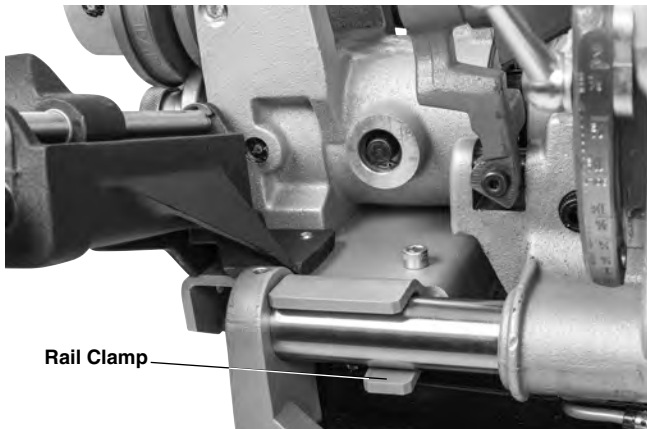


Figure 8D – Installing Rail Clamp

Installing On 535 and 1224 Threading Machines

Generally, the 918 can be installed on the 535 and 1224 machines with the drive bar installed, but it can also be installed separately as done on the 300 Compact/1233 machines (see that section)

If using with a 535 Auto Chuck Threading Machine, set the machine up so that the chuck jaws grip the pipe during REV rotation of the machine, as detailed in the *Left Hand Threading* section of the 535 Threading Machine Operator's Manual.

1. Confirm that the 918 is properly assembled on the correct base for the machine it will be used with. Securely attach the drive bar to the driveshaft.
2. Position machine carriage towards front chuck and swing carriage mounted tools up away from the operator. Position reamer inside the die head to secure and reduce risk of contact.
3. Fully open front chuck of threading machine.
4. With the end of the drive bar in the machine chuck, place the open slot of the base (stabilizer side) over the rear carriage rail and lower the pump to the front carriage rail. See Figure 9.

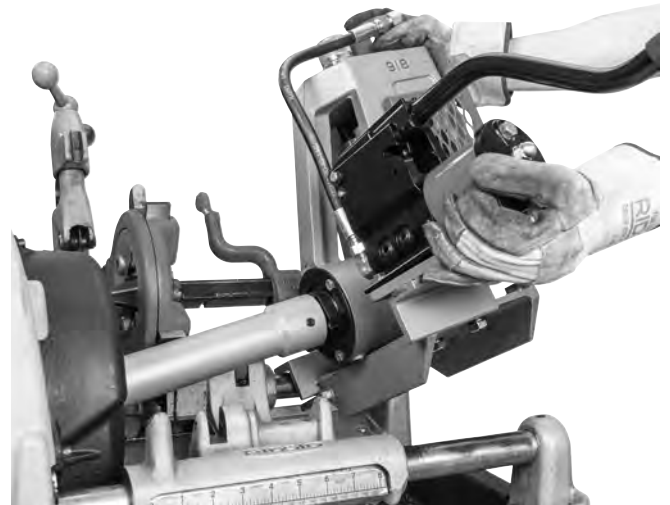


Figure 9 – 918 Roll Groover on 535 Threading Machine Mounting Base

5. With the 918 positioned at the end of the threading machine securely tighten the machine front chuck on the drive bar. See Figure 10.

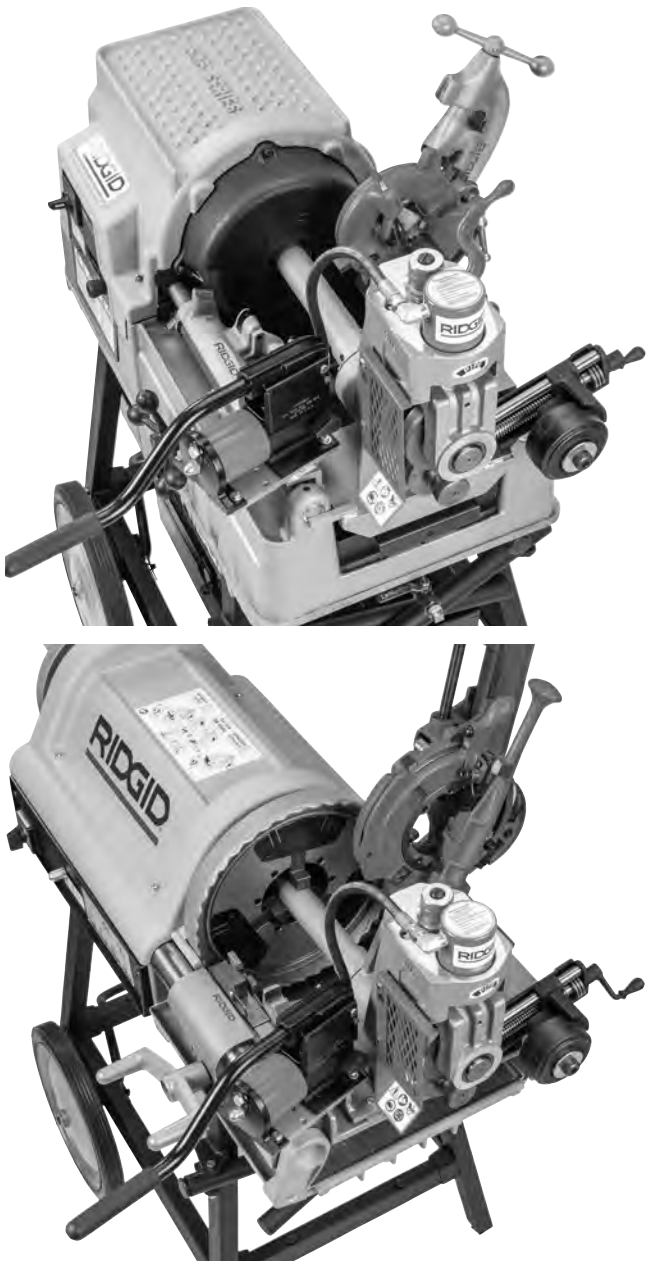


Figure 10 – 918 installed on 535A and 1224

Operation

⚠ WARNING



Keep hands away from grooving rolls. Do not wear loose fitting gloves. Fingers can be crushed between groove rolls, groove roll and pipe or between pipe and stabilizer wheel.

Keep hands away from ends of pipe. Do not reach inside pipe. Do not touch groove while operating. Burrs and sharp edges can catch and cut. Fingers

can be crushed between groove rolls or between groove rolls and pipe.

Keep guards in place. Do not operate the roll groover with the guard removed. Exposure to groove rolls may result in entanglement and serious injury.

Only groove pipe 8" (200 mm) or longer. Grooving shorter than specified pipe can result in entanglement and crushing injuries.

Do not use this roll groover with a power drive or threading machine that does not have a foot switch. Never block a foot switch in the ON position so it does not control the machine. A foot switch provides better control by letting you shut off the machine motor by removing your foot. If entanglement should occur and power is maintained to the motor, you will be pulled into the machine. This machine has high torque and can cause clothing to bind around your arm or other body parts with enough force to crush or break bones or cause striking or other injuries.

Be sure that the roll groover, pipe, stands and machine are stable. Be sure the roll groover is properly set up and secured. This will help prevent tipping of the equipment and pipe. Properly support the pipe. This will help to prevent the tipping of the pipe and equipment.

Always wear eye protection. Wear steel toe footwear to help protect from tipping tools and falling pipe.

Set up and operate the roll groover according to these procedures to reduce the risk of injury from machine tipping, entanglement, crushing, striking and other causes, and to help prevent equipment damage.

1. Confirm that the machine and work area is properly set up and that the work area is free of bystanders and other distractions. The operator should be the only person in the area when the machine is operated.
2. Position the foot switch for proper operation as shown in *Figure 18*.
3. Check the roll groover for proper operation. While keeping your hands clear of moving parts:
 - Move the power drive/threading machine REV/OFF/FOR switch to the REV position. Press and release the foot switch. Drive roll should rotate clockwise (*see Figure 14*) matching the pipe rotation decal on the groover. If the groover does not rotate in the correct direction, or the foot switch does not control the machine operation, do not use the machine until it has been repaired.
 - Depress and hold the foot switch. Inspect the moving parts for misalignment, binding, odd noises or any other unusual conditions. Confirm that the machine rotates less than 58 rpm. Higher speeds can increase the risk of injury. Remove foot from the foot switch. If any unusual conditions are found, do not use the machine until it has been repaired.

- Move the REV/O-OFF/FOR switch to the OFF position, and with dry hands unplug the machine.

Pipe Preparation

NOTICE These are generalized instructions. Always follow grooved coupling manufacturer’s specific recommendations for pipe end preparation. Failure to follow these recommendations may lead to an improper connection and cause leaks.

1. Be aware of pipe specifications acceptable for grooving. Out of specification pipe can cause leaks and other issues. Pipe out-of-roundness must not exceed total O.D. tolerance listed in the *Standard Roll Groove Specifications, Table II*.
2. Cut pipe to proper length. Be aware of the minimum pipe lengths for grooving.
 - 5" and smaller diameter pipe should not be shorter than 8" (200 mm) long.
 - 6" to 12" diameter pipe should not be shorter than 10" (250 mm) long.

Grooving shorter pipe increases the risk of injury from crushed fingers and entanglement.

3. Make sure pipe end is cut square and free of burrs. Burrs can catch or cut gloves or fingers during grooving. Cut off method and large burrs can affect the quality of the groove made and tracking of the groover. Do not attempt to groove pipe that has been cut with a torch.
4. Remove all internal/external weld beads, flash, seams, scale, dirt, rust and other contaminants at least 2" back from the end of the pipe. Do not cut flats into gasket seat area, this could cause leaks. Contaminants can clog the drive knurls and prevent proper driving and tracking of the pipe while grooving.

Advance/Retract The Groove Roll

The movement of the groove roll is controlled by the hydraulic pump.

- To advance the groove roll, move the pump lever to the advance position, then move the pump handle up and down.
- To retract the groove roll, move the pump lever to the retract position. See *Figure 11*.

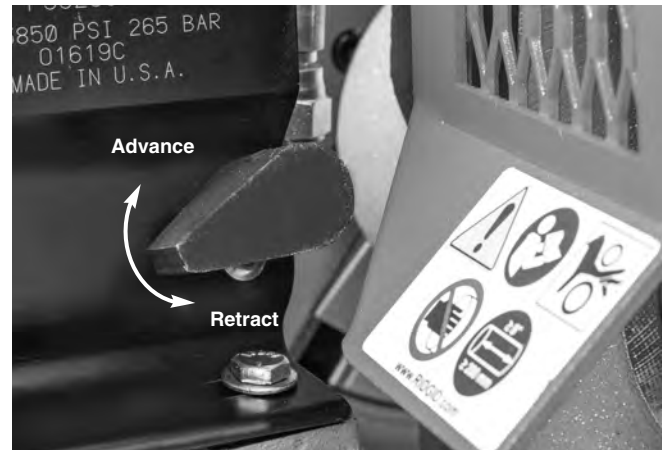


Figure 11 – Pump Release Lever Position

Loading Pipe in Roll Groover

1. Confirm that the machine switch is in the OFF position.
2. Fully retract the groove roll.
3. Appropriate pipe stands must be available to support the pipe. Adjust the height of the pipe stands so that the pipe will be level and the top inner diameter of the pipe will sit on top of the drive roll (see *Figure 12*).

Place the pipe stands directly in front of the roll groover. Pipe stand placement depends on the pipe length.

For shorter pipe (see *Chart A*) the pipe is supported by the drive shaft and at least one stand. In this case, the stand should be placed slightly more than half the length of the pipe from the roll groover.

Nom. Size	Min. Length	Max. Length	Nom. Size	Min. Length	Max. Length
1	8	36	4	8	36
1¼	8	36	4½	8	32
1½	8	36	5	8	32
2	8	36	6 O.D.	10	30
2½	8	36	6	10	28
3	8	36	8	10	24
3½	8	36	10	10	24
4	8	36	12	10	24

Chart A – Minimum/maximum pipe length to be grooved with one stand (in inches)

For longer pipes at least two stands should be used, with the two stands placed approximately 1/4 of the pipe length from the ends of pipe. Failure to properly support the pipe may allow the pipe or the pipe and machine to tip and fall. Always use a pipe stand – it helps to align the pipe and maintain proper tracking.

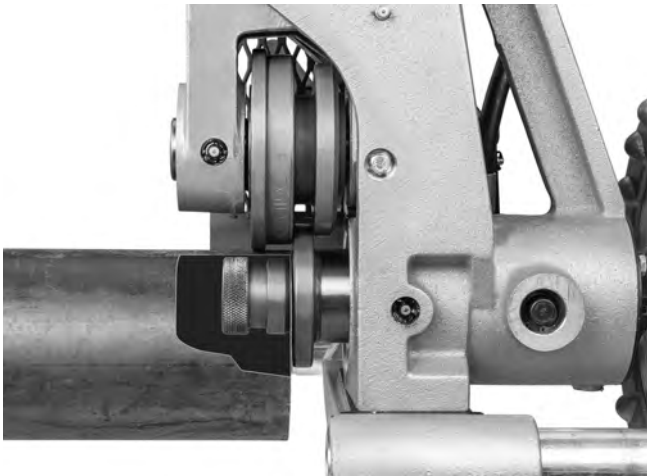


Figure 12 – Placing Pipe over Drive shaft, Flush to drive shaft flange (Stabilizer removed for clarity)

4. Place the pipe on the stand(s) with the end of the pipe flush to the drive shaft flange and the inside of the pipe contacting the top of the drive shaft (Figure 12). Make sure the pipe is stable and secure.

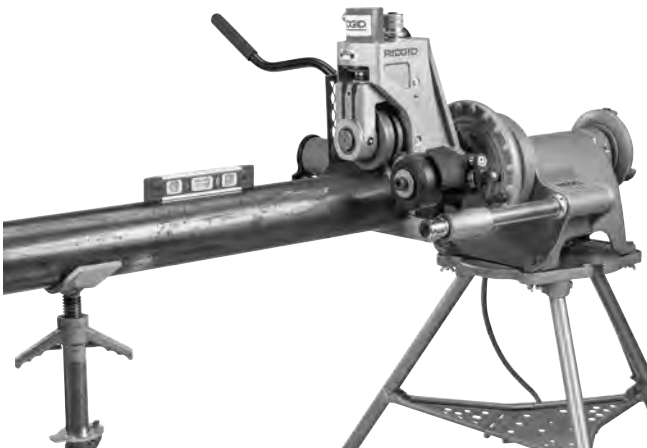


Figure 13 – Leveling Pipe

5. Advance the groove roll until it touches and lightly grips the pipe (Do not drive the groove roll into the pipe).
6. Confirm the pipe positioning. If the pipe is not properly positioned, the groove may not track properly.
 - The pipe end should be flush against the driveshaft flange.
 - The centerline of the pipe and the centerline of the drive shaft should be parallel. This can be checked with a level on top of the hydraulic cylinder and on the pipe. See Figure 13.
 - The roll groover/machine should be sitting firmly on the ground. If the machine is lifting off the ground at all, the pipe stand(s) are set improperly and should be adjusted.

7. **Preferred Operation – Switch in REV Setting:** Slightly offset the pipe and pipe stands approximately 1/2 degree (about 1" over at 10 feet from the roll groover) towards the operator. Proper alignment of the pipe and roll groover helps to ensure proper tracking of the pipe while grooving (see Figure 14). This is proper offset for grooving with the machine in the REV switch setting, and works with the stabilizer.

Alternate Operation – Switch in FOR Setting: If using the machine in the FOR switch setting (such as with a 535 Auto Chuck Machine not converted to grip in both directions), then offset the pipe and pipe stands approximately 1/2 degree (about 1" over at 10 feet from the roll groover) away from the operator (see Figure 15). The pipe stabilizer cannot be used with the FOR switch setting – it may cause pipe to spiral out of the roll set.

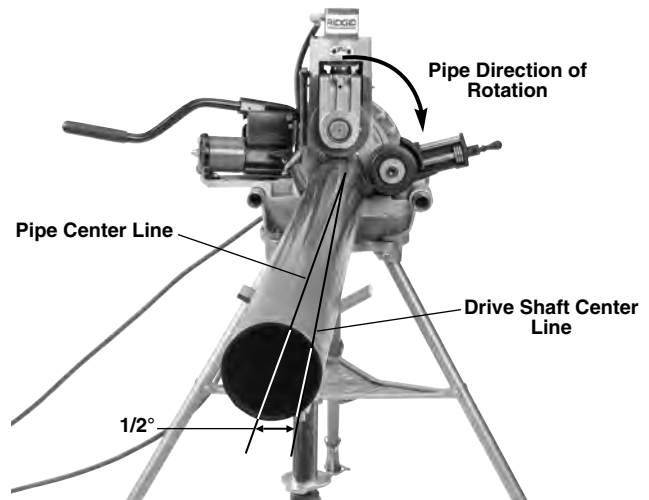


Figure 14 – Offsetting the Pipe 1/2° Toward Operator, (Exaggerated)

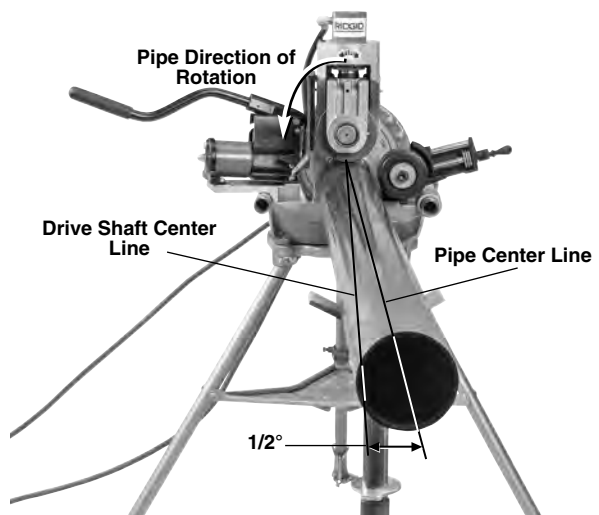


Figure 15 – Offsetting the Pipe 1/2° Away from Operator, (Exaggerated)

8. Restrict access or set up guards or barriers to create a minimum 3' (1m) clearance around the equipment and pipe. This helps prevent non-operators from contacting the equipment or pipe and reduces the risk of tipping or entanglement.
9. With dry hands, plug the power drive/threading machine into a properly grounded outlet.

Setting/Adjusting Groove Diameter

NOTICE Due to differing pipe characteristics, a test groove should always be performed before the first groove of the day or when changing pipe size, schedule, material, or lot to reduce the risk of out of tolerance grooves. Groove diameter must be measured to confirm proper size.

1. Confirm that equipment is properly set up and pipe is properly prepared and loaded. Improper set up and preparation can affect accuracy of groove diameter settings.
2. Groove roll should be lightly gripping the pipe. If needed, advance the groove roll to just touch and lightly grip the pipe – it should not be making an indentation in the pipe, do not apply excessive pressure.
3. Rotate the depth adjustment nut until it stops against main housing.
4. Back the depth adjustment nut off one turn (*Figure 16*).

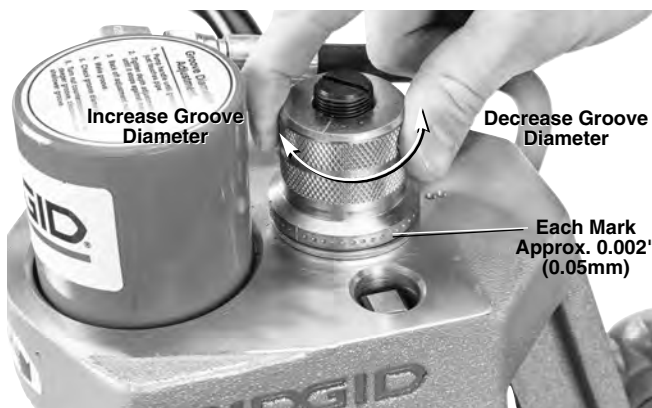


Figure 16 – Depth Adjustment Nut Setting

5. Make a test groove.
6. Inspect/measure the test groove. If the groove diameter is not in specification, the depth adjustment nut must be repositioned to give the correct groove diameter. See *Figure 16*.
 - To increase groove diameter (shallower groove), turn the depth adjustment nut clockwise.
 - To decrease groove diameter (deeper groove), turn the depth adjustment nut counter-clockwise.

- Each ¼ turn of the depth adjustment nut changes the groove diameter approximately 0.025" (0.6 mm). Moving the nut one mark on the circumference changes groove diameter approximately 0.002" (0.05 mm).
7. Repeat steps 4-6 until the groove diameter is within specifications. If the groove is too large, the groover can be adjusted and the groove made smaller. If the groove is too small, another groove will need to be made. Proper groove diameter is important to insure connection performance. Out of specification grooves could cause joint failure.

Stabilizer Operation

The stabilizer is used to apply slight force to 2½" to 12" pipe to improve tracking. It is especially useful for short pieces of pipe, but can be used on all lengths of pipe. The stabilizer also reduces the swaying of longer, larger diameter pipe.

The stabilizer can only be used with the machine REV/O-OFF/FOR switch in the REV position (pipe rotation marked on groover, *Figure 17*). If used with the machine REV/O-OFF/FOR switch in the FOR position, the pipe will spiral/track out of the groove rolls.

1. Properly set up equipment and load pipe.
2. Set groove diameter.
3. Rotate the stabilizer crank handle to bring the roller in contact with the pipe. Rotate the crank handle an additional one (1) turn to preload the roller against the pipe (*Figure 17*). Do not reach across the pipe to adjust the stabilizer.
4. Groove pipe. During use, keep hands away from the groove rolls, stabilizer wheel and end of pipe. Do not groove pipe shorter than specifications and do not reach inside pipe or touch the groove. This reduces the risk of crushing injuries.

If during grooving the pipe does not track properly, step off foot switch and stop grooving. Set up a new groove and rotate the crank handle an additional one half (½) turn to increase preload. Do not use excessive preload. This can damage the roller.

Once the stabilizer is set for a given size and type of material, it generally does not need to be readjusted or backed off when pipe is loaded and unloaded.

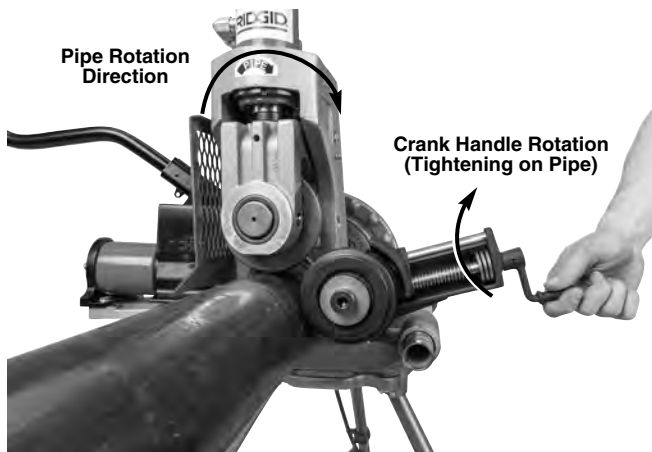


Figure 17 – Stabilizer Positioning

Grooving Operation

1. Confirm that equipment is properly set up and pipe is properly prepared and loaded. Do not groove pipe shorter than 8".
2. Set groove diameter.
3. If needed, set the stabilizer position.
4. Assume a proper operating position to help maintain control of the machine and pipe (see Figure 18).



Figure 18 – Proper Operating Position

- Stand facing the roll groover on the REV/O-OFF/-FOR switch side of the machine with convenient access to the switch, pump handle and pipe. Your left hand will be on the pump handle, and your right hand is clear of the pipe unless applying slight force to the pipe to maintain tracking (see *Tracking Tips* section).
 - Be sure that you can control the foot switch. Do not step on foot switch yet. In case of emergency you must be able to release the foot switch.
 - Be sure that you have good footing and balance and do not have to overreach.
5. Move the REV/O-OFF/FOR to the REV position.
 6. Apply approximately a quarter stroke of the pump handle to force the groove roll into the pipe.
 7. Depress the foot switch. The pipe will start to turn. Allow one full pipe rotation between quarter strokes of the pump handle. Do not advance the groove roll too aggressively – this can cause the pipe to spiral out of the roll set and poor groove form. Keep your hands clear of the groove set, pipe end and stabilizer wheel. Do not reach inside the pipe or touch groove.

Monitor the pipe as it is grooved. The end of the pipe should stay in contact with the drive shaft flange, and the pipe should stay in position. If the pipe starts to move out of position, step off of the foot switch and stop grooving. Keep your body clear in case the pipe comes out of the grip of the roll set. If the pipe starts to come out of position stop grooving and check set up. If the pipe end is damaged, a new groove will need to be prepared.

Continue applying a quarter stroke of the pump handle every pipe rotation.

When using the 1" roll set, it is especially important to not apply excessive force (improper groove diameter setting, undersized grooves, more than a quarter stroke of pump handle per rotation). This can damage the 1" drive roll.

8. When the depth adjustment nut contacts the top of the groover, allow the pipe to rotate at least two more full rotations to ensure uniform groove depth.
9. Remove foot from the foot switch.
10. Move the REV/O-OFF/FOR switch to the OFF position.
11. Retract the groove roll and remove the pipe from the roll groover.
12. Inspect and measure the groove.

Tracking Tips

A typical issue while roll grooving is the pipe “spiraling” or “walking off” the drive shaft or not “tracking” properly.

For good tracking, it is important that all instructions be followed. If, even after following all instructions, the pipe will not properly track; there are other options to improve tracking.

- Slightly increase the offset of the pipe (increase from $\frac{1}{2}$ degree to 1 degree) See *Figure 14*.
- Tighten the stabilizer crank handle an additional $\frac{1}{2}$ turn.
- The operator may need to apply slight force on the pipe while grooving to maintain tracking. This is usually only needed on shorter pieces of pipe when the stabilizer is not used. To do this, the operator should wear a leather glove in good condition and cup their hand around the pipe as shown in *Figure 19* to pull the pipe slightly towards them. This may require that the power drive/threading machine stand be fixed to the floor to prevent movement during grooving. To reduce the risk of crushing and cutting injuries, keep hand away from the groove roll and the ends of the pipe, do not groove pipe shorter than recommended and do not reach inside pipe or touch groove.



Figure 19 – Applying Pressure on Pipe with Power Drive in REV direction

If the machine is run in the FOR direction, the stabilizer cannot be used. Move the stabilizer wheel away from the pipe. If the stabilizer is used in FOR, the pipe will spiral out of the groove rolls. If needed, the operator should wear a leather glove in good condition and use their right

hand to push pipe slightly away from them as shown in *Figure 20*.



Figure 20 – Applying Pressure on Pipe with Power Drive in FOR direction

Inspect/Measure the Groove

1. Inspect the groove.
 - Make sure that all features are present and fully formed. See *Table II* and *Figure 30*.
 - Measure the groove diameter and make sure it is within specification.
 - Check any other items required by the fitting manufacturer.
 - Test the system in accordance with local codes and normal practice.

If any problems are found, the groove cannot be used. Proper groove diameter is important to ensure connection performance. Out of specification grooves could cause joint failure.

2. Measure the groove diameter with diameter tape (see *Optional Equipment Section*). Snugly wrap the diameter tape around the pipe in the groove. Make sure that the tape sits flat in the bottom of the groove, and read the groove diameter (see *Figure 21*). Compare the measured groove diameter to the required groove diameter as shown in *Table II* or *III* or as specified by the groove fitting manufacturer.



Figure 21 – Checking Groove Diameter with a Diameter Tape

Preparing Machine for Transport

Before transporting, remove the 918 from the power drive/threading machine. Be aware of the equipment weight. Use appropriate methods when lifting or moving.

Storage

⚠ WARNING The 918 Roll Groover must be kept indoors or well covered in rainy weather. Store the machine in a locked area that is out of reach of children and people unfamiliar with roll groovers. This machine can cause serious injury in the hands of untrained users.

Maintenance Instructions

⚠ WARNING

Make sure machine is unplugged from power source before performing maintenance or making any adjustments.

Maintain the 918 Roll Groover according to these procedures to reduce the risk of injury.

Cleaning

Use a soft damp cloth to clean the roll groover.

Clean the drive roll knurls with a wire brush before use and as necessary during operation. When grooving stainless steel pipe, thoroughly clean the entire roll set with a stainless steel wire brush.

Lubrication

On a monthly basis (or more often if needed), lubricate the groover with a lithium based general purpose grease. Always lubricate the roll groover after roll set changes.

- Lubricate the groover at grease fittings (See Figure 22). Add grease until a small amount pushes out.



Figure 22 – Grease Fittings

- Apply a light lubricating oil to pivot points and areas of relative motion, such as the depth adjustment nut and the stabilizer feedscrew. Wipe any excess lubricant from exposed surfaces.

Hydraulic Fluid Level

Remove the reservoir filler cap (Figure 23). The oil level should come to the fill line when the pump is resting on its base and the ram is fully retracted. Use only ISO 15 hydraulic oil.



Figure 23 – Reservoir Filler Cap

Once a year, or more often with heavy use or use in dusty conditions, the hydraulic oil should be changed. To drain oil, remove the reservoir filler cap and drain the oil in a container. Properly dispose of the used hydraulic oil per the Safety Data Sheet (SDS) and local requirements.

Hydraulic system may need air bled after changing fluid. To bleed hydraulic system, position ram lower than pump by tipping the machine on its side. Extend and return the cylinder piston several times to permit air to return to the pump reservoir.

Changing Roll Sets

NOTICE When changing roll set, always make sure drive roll and groove roll markings match. Mismatched parts can make improper grooves and cause leaks. Always change rolls as sets – do not mix rolls from different sets.

If installed, remove the roll groover from power drive or threading machine and place on a stable workbench.

Properly support the rolls and shafts while replacing.

Changing Groove Roll

1. Fully retract the groove roll.
2. Fully retract the stabilizer wheel.
3. Loosen groove roll set screw (*Figure 24*). Grasp groove roll and remove upper shaft and groove roll from groover (*Figure 25*).
4. After changing drive shaft/drive roll, reverse steps to install. Make sure parts are clean to keep dirt out of bearings. Lubricate bearings before use.



Figure 24 – Loosening Grooving Roll Set Screw

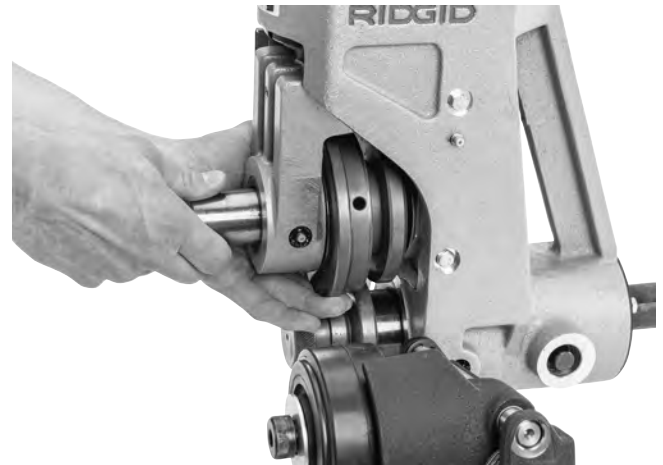


Figure 25 – Removing Retaining Shaft and Groove Roll

Changing Drive Shaft/Drive Roll

The 918 has two styles of drive shaft. A one piece drive shaft (used on the 2"-6" and 8"-12" sizes) and the two piece unit consisting of a drive shaft and interchangeable drive roll (used for the 1", 1¼" to 1½" and 2"-6" Copper sizes). See *Figure 26*.

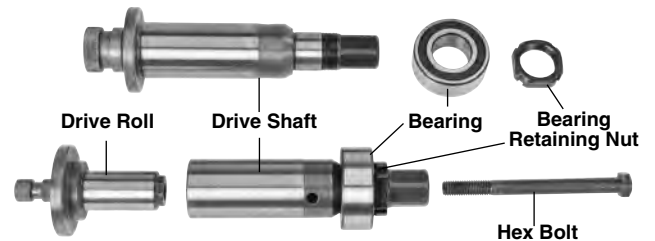


Figure 26 – One Piece Drive Shaft (Top), Two Piece Drive Shaft (Bottom)

1. Remove the groove roll.
2. Manually rotate the drive shaft while applying pressure to the spindle lock pin until the lock pin engages the spindle lock hole in the driveshaft.

Changing Drive Shaft

3. With the spindle lock engaged, use the box wrench to remove the drive shaft bearing retaining nut (*Figure 27*).
4. Release pressure on the spindle lock pin, allowing to retract.
5. Remove the drive shaft from the front of the groover.
6. Reverse steps to install. Make sure parts are clean to keep dirt out of bearings. Lubricate bearings before use.



Figure 27 – Engaging Spindle Lock and Removing Drive Shaft Retaining Nut

Changing Drive Roll (Two-Piece Drive Shafts)

1. With the spindle lock engaged, use the ¹⁵/₁₆" hex in the box wrench to loosen the draw bolt.
2. Tap draw bolt head with a soft face mallet to release drive roll from drive shaft.
3. Unthread draw bolt from drive roll, remove drive roll from front of groover.
4. Reverse steps to install. Make sure drive roll is fully seated in the drive shaft and draw bolt is secure.

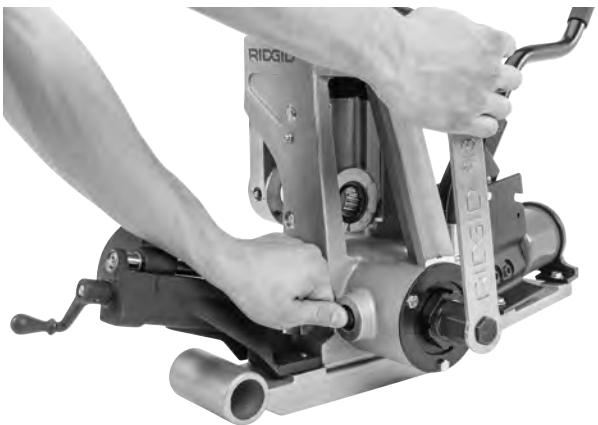


Figure 28 – Engaging Spindle Lock and Loosen Draw Bolt

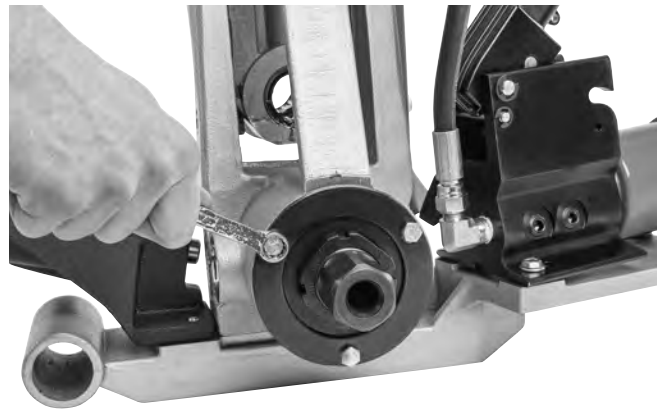


Figure 29 – Removing Retaining Plate Hex Screws

Changing One Piece Drive Shaft to Two Piece Drive Shaft

1. Remove the one piece driveshaft.
2. Remove the rear bearing retaining plate screws and the plate, *see Figure 29*.
3. Remove the rear bearing out of the back of the 918 housing.
4. Install the two piece drive shaft assembly into the back of the 918 housing. Make sure parts are clean to keep dirt out of bearings.
5. Reinstall the rear bearing retaining plate and screws.
6. Install the required drive roll. Lubricate bearings before use.

Troubleshooting

PROBLEM	POSSIBLE REASONS	SOLUTION
Groove too narrow or too wide.	Incorrect groove roll and drive shaft. Groove roll and/or drive shaft worn. Mismatched groove roll and drive shaft.	Install correct groove roll and drive shaft. Replace groove roll and/or drive shaft. Install matching roll set.
Rolled groove not perpendicular to pipe axis.	Pipe length not straight. Pipe end not square.	Use straight pipe. Cut pipe end square.
Pipe does not track while grooving. Groover will not track on pipe while grooving.	Pipe and drive shaft not parallel. Pipe axis not offset 1/2 degree from drive roll axis. 1/2 degree offset not sufficient. Drive shaft/roll knurl plugged or worn flat. Inside of pipe has too much scale. Excessive weld seam. Not using/properly adjusting stabilizer.	Adjust stand to make pipe parallel. Offset pipe 1/2 degree. Offset pipe slightly more. Clean or replace drive shaft/roll. Clean inside of pipe. Grind weld seam flush 2" from end of pipe. Adjust stabilizer. Apply pressure to pipe (see <i>Figure 19/20</i>). Properly prep end of pipe.
Pipe flared at grooved end.	Pipe and drive shaft not parallel. Operator is advancing groove roll too fast. Pipe is too hard. Stabilizer too tight.	Adjust stand to make pipe parallel. Slow down pumping action. (<i>Refer to Operating instructions.</i>) Replace pipe. Adjust stabilizer.
Pipe drifts back and forth on driving shaft axis while grooving.	Pipe length not straight. Pipe end not square.	Use straight pipe. Cut pipe end square.
Pipe rocks from side to side.	Pipe stand too close to end of pipe. Pipe end flattened or damaged. Hard spots in pipe material or weld seams harder than pipe. Groove roll feed rate too slow. Pipe supports stand not in correct location . Power drive/threading machine speed exceeds 57 rpm.	Move pipe stand in to match set-up Instructions. Cut off damaged pipe end. Use different pipe. Feed groove roll into pipe faster. Position pipe stand rollers correctly. Reduce speed to 57 rpm.
Groover will not roll groove in pipe.	Maximum pipe wall thickness exceeded. Pipe material too hard. Adjustment nut not set. Wrong roll set.	Check pipe capacity chart. Replace pipe. Set depth. Install correct roll set.
Groover will not roll groove to required diameter.	Maximum pipe diameter tolerance exceeded. Depth adjustment nut not set correctly. Pipe too hard.	Use correct diameter pipe. Adjust depth setting. Use different pipe.
Pipe slips on driving roll.	Groove roll feed rate too slow. Drive shaft knurls plugged with metal or worn flat.	Feed groove roll into pipe faster. Clean or replace driving roll.

Troubleshooting (cont.)

PROBLEM	POSSIBLE REASONS	SOLUTION
Pipe raises or tends to tip Groover over backwards.	Pipe support stand not properly set up.	Properly set up stands.
Pump not delivering oil, cylinder does not advance.	Pump release valve open. Low oil in reservoir. Dirt in pump body. Seats worn or not seating. Too much oil in reservoir.	Close release valve. Check oil level per instructions. Have serviced by qualified technician. Have serviced by qualified technician. Check oil level per instructions.
Pump handle operates with "spongy" action.	Air trapped in system. Too much oil in reservoir.	Bleed air from hydraulic system per instructions. Check oil level per instructions.
Cylinder extends only partially.	Pump reservoir is low on oil. Depth adjustment set incorrectly.	Fill and bleed system. Follow depth adjustment instructions.

Service And Repair

⚠ WARNING

Improper service or repair can make the machine unsafe to operate.

The "Maintenance Instructions" will take care of most of the service needs of this machine. Any problems not addressed by this section should only be handled by a RIDGID Authorized Independent Service Center. Use only RIDGID service parts.

For information on your nearest RIDGID Authorized Independent Service Center or any service or repair questions, see *Contact Information* section in this manual.

Optional Equipment

⚠ WARNING

To reduce the risk of serious injury, only use accessories specifically designed and recommended for use with the RIDGID 918 Roll Groover, such as those listed below.

Catalog No.	Description
48405	Roll Set for 8-12" Sch 10 (8" Sch 40) With Carry Case
48407	Roll Set for 1¼"-1½" Sch 10/40 With Carry Case
48412	Roll Set for 1 Sch 10/40 and 1¼"-1 1/2" Sch 10/40 with Carry Case
48417	Roll Set for 2"-6" Copper
59992	2½"-12" Stabilizer
76822	Inch Diameter Tape

76827	Metric Diameter Tape
49662	Toolbox
51432	Drive Roll 2" - 6"
49217	Groove Roll 2" - 6"
54317	Box Wrench
42360	1206 Stand

Mounting Kits

Catalog No.	Model No.	Description
48292	911	300 Power Drive Mount Kit Only
48397	914	1224 Carriage Mount Kit Only
48402	915	535 Carriage Mount Kit Only
56607	917	1233/300 Compact Carriage Mount Kit Only
56532	—	Stand, Pipe Leg For 1233/300 Compact

For a complete listing of RIDGID equipment available for these tools, see the Ridge Tool Catalog online at RIDGID.com or see *Contact Information*.

Disposal

Parts of the 918 Roll Groover contain valuable materials and can be recycled. There are companies that specialize in recycling that may be found locally. Dispose of the components and any waste oil in compliance with all applicable regulations. Contact your local waste management authority for more information.

Table I. Pipe Wall Thickness

NOTE: All Dimensions are in Inches.

Pipe Size	CARBON STEEL OR ALUMINUM PIPE OR TUBE			STAINLESS STEEL PIPE OR TUBE			PVC PIPE		
	Schedule	Wall Thickness		Schedule	Wall Thickness		Schedule	Wall Thickness	
		Min.	Max.		Min.	Max.		Min.	Max.
1	5, 10, 40	0.065	0.133	5, 10	0.065	0.109	40	0.133	0.133
1¼	5, 10, 40	0.065	0.140	5, 10, 40	0.065	0.140	40	0.140	0.140
1½	5, 10, 40	0.065	0.145	5, 10, 40	0.065	0.145	40, 80	0.145	0.200
2	5, 10, 40	0.065	0.154	5, 10, 40	0.065	0.154	40, 80	0.154	0.218
2½	5, 10, 40	0.083	0.203	5, 10	0.083	0.188	40, 80	0.203	0.276
3	5, 10, 40	0.083	0.216	5, 10	0.083	0.188	40, 80	0.216	0.300
3½	5, 10, 40	0.083	0.226	5, 10	0.083	0.188	40	0.226	0.226
4	5, 10, 40	0.083	0.237	5, 10	0.083	0.188	40	0.237	0.237
5	5, 10, 40	0.109	0.258	5, 10	0.109	0.188	40	0.258	0.258
6	5, 10, 40	0.109	0.280	5, 10	0.109	0.188	40	0.280	0.280
8	5, 10, 40*	0.109	0.322	5, 10	0.109	0.148	40	0.322	0.322
10	5, 10	0.134	0.165	5, 10	0.134	0.165	—	—	—
12	5, 10	0.165	0.180	5, 10	0.165	0.180	—	—	—

* Do not use to groove 8" schedule 40 steel pipe harder than 150 BHN.

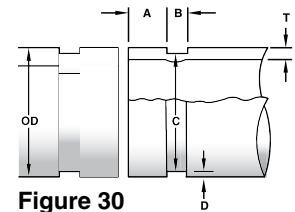


Table II. Standard Roll Groove Specifications⁽¹⁾

NOTE: All Dimensions are in Inches.

NOM. PIPE SIZE	PIPE DIAMETER		T MIN. WALL THK.	A GASKET SEAT +.015/-0.030	B GROOVE WIDTH +.030/-0.015	C GROOVE DIAMETER		D NOM. GROOVE DEPTH ⁽²⁾
	O.D.	TOL.				O.D.	TOL.	
1	1.315	+0.013 -.013	0.065	0.625	0.281	1.190	+0.000	0.063
1¼	1.660	+0.016 -.016	0.065	0.625	0.281	1.535	+0.000 -.015	0.063
1½	1.900	+0.019 -.019	0.065	0.625	0.281	1.535	+0.000 -.015	0.063
2	2.375	+0.024 -.016	0.065	0.625	0.344	2.250	+0.000 -.015	0.063
2½	2.875	+0.029 -.016	0.083	0.625	0.344	2.720	+0.000 -.015	0.078
3	3.50	+0.035 -.031	0.083	0.625	0.344	3.344	+0.000 -.015	0.078
3½	4.00	+0.040 -.031	0.083	0.625	0.344	3.834	+0.000 -.020	0.083
4	4.50	+0.045 -.031	0.083	0.625	0.344	4.334	+0.000 -.015	0.083
5	5.563	+0.056 -.031	0.109	0.625	0.344	5.395	+0.000 -.015	0.084
6	6.625	+0.063 -.031	0.109	0.625	0.344	6.455	+0.000 -.015	0.085
8	8.625	+0.063 -.031	0.109	0.750	0.469	8.441	+0.000 -.020	0.092
10	10.75	+0.063 -.031	0.134	0.750	0.469	10.562	+0.000 -.025	0.094
12	12.75	+0.063 -.031	0.156	0.750	0.469	12.531	+0.000 -.025	0.110

(1) As per AWWA C606-15

(2) Nominal Groove Depth is provided as a reference dimension only. Do not use groove depth to determine acceptability of a groove.

NOTE: Follow fitting manufacturer's recommendations regarding maximum allowable flare dimension.

Table III. Copper Roll Groove Specifications

NOTE: All Dimensions are in Inches.

Nom. Size Inches	Tubing Outside Diameter O.D.		A Gasket Seal A ± 0.03	B Groove Width $+0.03 / -0.000$	C Groove Dia. $+0.000 / -0.020$	D Nominal Groove Depth ⁽²⁾	T Min. Allow. Wall Thick. ⁽³⁾	Max. Allow. Flare Dia.
	Basic	Tolerance						
2	2.125	± 0.002	0.610	0.300	2.029	0.048	0.064	2.220
2½	2.625	± 0.002	0.610	0.300	2.525	0.050	0.065	2.720
3	3.125	± 0.002	0.610	0.300	3.025	0.050	0.045	3.220
4	4.125	± 0.002	0.610	0.300	4.019	0.053	0.058	4.220
5	5.125	± 0.002	0.610	0.300	5.019	0.053	0.072	5.220
6	6.125	± 0.002	0.610	0.300	5.999	0.063	0.083	6.220

(1) Copper Tubing to the following standards: ASTM B88 & ASTM B306.

(2) Nominal Groove Depth is provided as a reference dimension. Do not use groove depth to determine groove acceptability.

(3) "DWV" – ASTM B306 Drain Waste & Vent Tubing wall thickness.

Rainureuse à galets

Rainureuse à galets 918



AVERTISSEMENT

Familiarisez-vous avec cette notice avant d'utiliser l'appareil. Tout manque d'assimilation ou de respect des consignes ci-présentes augmenterait les risques de choc électrique, d'incendie et/ou de grave blessure corporelle.


Table des matières


Symboles de sécurité	25
Consignes de sécurité générales visant les appareils électriques	
Sécurité des lieux	25
Sécurité individuelle	25
Utilisation et entretien des appareils électriques	26
Service après-vente	26
Consignes de sécurité spécifiques	
Sécurité de la rainureuse à galets	26
Coordonnées RIDGID	27
Description	27
Caractéristiques techniques	28
Equipements de base	29
Assemblage	29
Assemblage de la 918 pour recevoir les diverses embases	29
Inspection préalable	30
Préparation de l'appareil et du chantier	30
Montage de la 918 sur système d'entraînement N° 300	31
Montage de la 918 sur fileteuses 300 Compact et 1233	32
Montage sur fileteuses 535 et 1224	33
Mode d'emploi	34
Préparation des tuyaux	35
Avancement et retrait du galet de rainurage	35
Positionnement du tuyau dans la rainureuse	35
Vérification et réglage du diamètre du tuyau en fond de rainure	37
Utilisation du stabilisateur	37
Formation des rainures	38
Conseils d'alignement	39
Inspection et contrôle des rainurages	40
Transport de l'appareil	40
Remisage	40
Consignes d'entretien	
Nettoyage	40
Lubrification	41
Niveau d'huile hydraulique	41
Remplacement des jeux de galets	41
Dépannage	43-44
Révisions et réparations	45
Accessoires	45
Recyclage	45
Tableau I : Epaisseur des parois de tuyau	45
Tableau II : Caractéristiques des rainures standard	46
Tableau III : Caractéristiques des rainures sur cuivre	46
Garantie à vie	Page de garde


*Traduction de la notice originale


Symboles de sécurité


Les symboles et mots-clés utilisés à la fois dans ce mode d'emploi et sur l'appareil lui-même servent à signaler d'importants risques de sécurité. Ce qui suit permettra de mieux comprendre la signification de ces mots clés et symboles.


 Ce symbole sert à vous avertir de risques d'accident potentiels. Le respect des consignes qui le suivent vous permettra d'éviter les risques d'accident grave ou potentiellement mortel.

 **DANGER** Le terme DANGER signifie une situation dangereuse qui, faute d'être évitée, provoquerait la mort ou de graves blessures corporelles.

 **AVERTISSEMENT** Le terme AVERTISSEMENT signifie une situation dangereuse potentielle qui, faute d'être évitée, serait susceptible d'entraîner la mort ou de graves blessures corporelles.


 **ATTENTION** Le terme ATTENTION signifie une situation dangereuse potentielle qui, faute d'être évitée, serait susceptible d'entraîner des blessures corporelles légères ou modérées.

 **AVIS IMPORTANT** Le terme AVIS IMPORTANT indique des informations concernant la protection des biens.

 Ce symbole indique la nécessité de bien se familiariser avec la notice d'emploi avant d'utiliser ce matériel. La notice d'emploi renferme d'importantes consignes de sécurité et d'utilisation du matériel.




Ce symbole impose une longueur minimale du tuyau à rainurer de 8" (200 mm) afin de limiter les risques de blessure.

 Ce symbole signale la nécessité de porter des lunettes de sécurité intégrales lors de la manipulation ou utilisation de cet appareil afin de limiter les risques de lésions oculaires.




Ce symbole interdit l'introduction des mains dans le tuyau en cours de rainurage afin de limiter les risques d'enchevêtrement, de coupure, d'écrasement et autres lésions.

 Ce symbole indique un risque de renversement de l'appareil augmentant les risques de contusion et d'écrasement.



Ce symbole indique la nécessité d'utiliser une pédale de commande à tout moment durant le fonctionnement de l'appareil afin de limiter les risques de blessure.

 Ce symbole indique un risque d'écrasement des mains et des doigts en cas de prise entre les galets de rainurage.

Consignes de sécurité générales visant les appareils électriques

AVERTISSEMENT

Familiarisez-vous avec l'ensemble des consignes de sécurité, les instructions, les illustrations et les caractéristiques techniques visant cet appareil électrique. Le non-respect de l'ensemble des consignes ci-dessous augmenterait les risques de choc électrique, d'incendie et/ou de grave blessure corporelle.

Conservez l'ensemble des consignes de sécurité et d'utilisation pour future référence !

Le terme « appareil électrique » utilisé dans les avertissements couvre à la fois les appareils sur secteur et les appareils à piles.

Sécurité des lieux

- **Assurez la propreté et le bon éclairage des lieux.** Les endroits encombrés ou sombres invitent les accidents.
- **Ne pas utiliser d'appareils électriques dans les milieux volatils tels qu'en présence de liquides, gaz ou poussières inflammables.** Les appareils élec-

triques produisent des étincelles susceptibles d'enflammer les poussières ou gaz présents.

- **Eloignez les enfants et les curieux lors de l'utilisation d'un appareil électrique.** Les distractions risquent de vous faire perdre le contrôle de l'appareil.

Sécurité individuelle

- **Soyez attentif, restez concentré et faites preuve de bon sens lors de l'utilisation de ce type d'appareil. Ne jamais utiliser ce matériel lorsque vous êtes fatigué ou sous l'influence de drogues, de l'alcool ou de médicaments.** Lors de l'utilisation d'un appareil électrique, un instant d'inattention risque d'entraîner de graves lésions corporelles.
- **Prévoyez les équipements de protection individuelle appropriés. Portez systématiquement une protection oculaire.** Selon le cas, le port d'un masque à poussière, de chaussures de sécurité antidérapantes, du casque ou d'une protection auriculaire peut aider à limiter les risques de lésion corporelle.
- **Évitez les démarrages accidentels. Assurez-vous que son interrupteur est éteint avant de brancher l'appareil, y introduire un bloc-piles, le soulever ou**

le transporter. Porter un appareil électrique avec son doigt sur l'interrupteur, voire le brancher lorsque son interrupteur est en position « Marche » est une invitation aux accidents.

- **Retirez toute clé ou dispositif de réglage éventuel avant de mettre l'appareil en marche.** Une clé ou tout autre dispositif de réglage engagé sur un élément mécanique pourrait provoquer un accident.
- **Ne vous mettez pas en porte-à-faux. Maintenez une bonne assiette et un bon équilibre à tout moment.** Cela assurera un meilleur contrôle de l'appareil en cas d'imprévu.
- **Habillez-vous de manière appropriée. Ne portez ni accessoires, ni bijoux. Eloignez vos cheveux, vos vêtements et vos gants des mécanismes lorsque l'appareil fonctionne.** Les foulards, les bijoux et les cheveux longs risquent d'être entraînés par les mécanismes en rotation.
- **Vérifiez le bon raccordement et fonctionnement des aspirateurs de poussière éventuels.** De tels aspirateurs peuvent limiter les risques associés à la dispersion des poussières.

Utilisation et entretien des appareils électriques

- **Ne forcez pas l'appareil. Prévoyez l'appareil le mieux adapté aux travaux envisagés.** Un appareil adapté produira de meilleurs résultats et un meilleur niveau de sécurité lorsqu'il fonctionne au régime prévu.
- **N'utilisez pas d'appareil dont l'interrupteur marche/arrêt ne fonctionne pas correctement.** Tout appareil qui ne peut pas être contrôlé par son interrupteur est considéré dangereux et doit être réparé.
- **Débranchez l'appareil ou retirez son bloc-piles avant tout réglage, remplacement d'outils ou stockage.** De telles mesures préventives aideront à limiter les risques de démarrage accidentel de l'appareil.
- **Rangez les appareils électriques non utilisés hors de la portée des enfants. L'utilisation de cet appareil doit être exclusivement réservé à du personnel ayant reçu une formation adéquate.** Tout appareil électrique peut devenir dangereux entre les mains d'un novice.
- **Assurez l'entretien régulier des appareils électriques et de leurs accessoires. Assurez-vous de l'absence d'éléments grippés ou endommagés, voire toute autre anomalie susceptible de nuire au bon fonctionnement et à la sécurité de l'appareil. Faites réparer tout appareil endommagé**

avant de le réutiliser. De nombreux accidents sont le résultat d'appareils mal entretenus.

- **Assurez l'affûtage et la propreté des outils de coupe.** Des outils de coupe correctement entretenus et affûtés sont moins susceptibles de se gripper et sont plus faciles à contrôler.
- **Utilisez l'appareil, ses accessoires et ses outils selon les consignes ci-présentes, tout en tenant compte des conditions de travail existantes et de la nature des travaux envisagés.** Toute utilisation de l'appareil à des fins autres que celles prévues augmenterait les risques d'accident.
- **Nettoyez systématiquement les poignées et autres surfaces de prise-en-main de l'appareil.** Des poignées ou autres surfaces glissantes peuvent compromettre la sécurité d'utilisation de l'appareil en cas d'imprévu.

Service après-vente

- **Confiez la révision de l'appareil à un réparateur qualifié pouvant justifier l'emploi de pièces de rechange d'origine.** Cela assurera la sécurité opérationnelle de l'appareil.

Consignes de sécurité spécifiques

⚠ AVERTISSEMENT

La rubrique suivante contient d'importantes consignes de sécurité visant ce type d'appareil en particulier. Familiarisez-vous avec elles avant d'utiliser la rainureuse à galets 918 afin de limiter les risques de choc électrique ou autres graves blessures corporelles.

CONSERVEZ CES CONSIGNES POUR FUTURE REFERENCE !

Gardez ce manuel à portée de main de l'utilisateur.

Sécurité de la rainureuse à galets

- **Eloignez vos mains des galets de rainurage.** Ne portez pas de vêtements mal ajustés. Vos doigts et vos mains risquent d'être écrasés entre les galets de rainurage, les galets de rainurage et le tuyau, ou bien entre le tuyau et le stabilisateur.
- **Eloignez vos mains des extrémités du tuyau. Ne pas toucher la rainure en cours d'opération.** Ses bavures et bords tranchants peuvent accrocher et couper vos doigts, en plus de les écraser entre les galets ou entre les galets et le tuyau.
- **Gardez le carter de protection de l'appareil en place. Ne pas utiliser la rainureuse en l'absence de son**

carter de protection. Tout contact avec les galets de rainurage augmenterait les risques d'enchevêtrement et blessure grave.

- **Ne tentez de rainurer que des tuyaux d'une longueur minimale de 8" (200 mm).** Le rainurage de tuyaux de longueur inférieure à celle spécifiée augmenterait les risques d'enchevêtrement et d'écrasement.
- **Ne pas porter de vêtements mal ajustés lors de l'utilisation de l'appareil. Gardez vos manches et blousons boutonnés. N'étendez pas vos mains au-dessus de l'appareil ou du tuyau.** Vos vêtements risqueraient de s'entortiller autour du tuyau ou du mécanisme.
- **Ne pas utiliser ce type de rainureuse à galets sur des systèmes d'entraînement ou fileteuses dépourvus de pédale de commande. Ne jamais tenter de bloquer une pédale de commande en position « Marche » afin de l'empêcher de contrôler l'appareil.** Une pédale de commande permet de mieux contrôler l'appareil en l'arrêtant dès qu'elle est relâchée. Si un vêtement se prend dans le mécanisme et que le moteur continu à tourner, vous serez entraînés dans l'appareil. Cet appareil produit un couple capable d'entortiller les vêtements autour d'un membre avec suffisamment de force pour écraser ou briser les os et provoquer des contusions ou autres blessures.
- **Assurez-vous de la stabilité de la rainureuse, du tuyau, des supports et du système d'entraînement.** Vérifiez le montage et l'arrimage appropriés de la rainureuse. Cela évitera les risques de renversement du matériel et du tuyau. **Soutenez le tuyau de manière appropriée.** Cela aidera à éviter le renversement du tuyau et du matériel.
- **Préparez et manipulez le tuyau de manière appropriée.** Les bavures et bords tranchants peuvent accrocher et couper.
- **Un seul individu doit contrôler le processus, l'appareil et la pédale de commande.** Seul l'utilisateur de l'appareil doit se trouver dans la zone de travail durant son fonctionnement. Cela aidera à limiter les risques de blessure.
- **Limitez l'accès au chantier ou barricadez-le sur une périphérie d'un mètre (3 pieds) au-delà de la longueur du tuyau dès qu'il déborde de l'appareil.** La limitation d'accès au chantier ou l'établissement de barricades périphériques limitera les risques d'entortillement.
- **N'utilisez que des systèmes d'entraînement ou fileteuses qui tournent à moins de 58 t/min.** Une vitesse de rotation supérieure augmenterait les risques de blessure.

- **Portez systématiquement les équipements de protection individuelle appropriés lors de la préparation et utilisation de la rainureuse à galets.** Outre le port systématique de lunettes de sécurité, les équipements de protection individuelle appropriés peuvent aussi comprendre le port de gants en cuir serrés, de chaussures blindées, etc.
- **N'utilisez cette rainureuse à galets pour le rainurage des sections et types de tuyau indiqués.** Toute autre application ou modification de la rainureuse augmenterait les risques de blessure.
- **Avant d'utiliser cette rainureuse à galets, familiarisez-vous avec :**
 - Le mode d'emploi ci-présent
 - Le mode d'emploi du système d'entraînement ou fileteuse utilisé
 - Les consignes d'installation du fabricant des raccords
 - Les instructions visant tout autre matériel utilisé en conjonction avec cet appareil.

Le non-respect de l'ensemble des consignes et avertissements susvisés augmenterait les risques de dégâts matériels et/ou de graves lésions corporelles.

Coordonnées RIDGID

En cas de questions visant ce produit RIDGID®, veuillez :

- Consulter le concessionnaire RIDGID® le plus proche.
- Visiter le site RIDGID.com afin de localiser le représentant Ridge Tool le plus proche.
- Consulter les services techniques de Ridge Tool à rtctechservices@emerson.com, voire depuis les Etats-Unis ou du Canada, en composant le (800) 519-3456.

Description

La rainureuse à galets RIDGID 918 sert au rainurage des tuyaux en acier, acier inoxydable, aluminium, PVC et cuivre. Les rainures sont formées par l'avancement hydraulique d'un galet de rainurage contre la paroi d'un tuyau soutenu par un galet d'entraînement.

La rainureuse à galets 918 est typiquement livrée avec deux jeux de galets de rainurage et d'entraînement pour tuyaux acier comprenant :

- SCH 10 et 40 de 2" à 6" de diamètre
- SCH 10 de 8" à 12" et SCH 40 de 8"

D'autres matériaux peuvent être rainurés (reportez-vous aux tableaux en annexe) à l'aide de jeux de galets de rainurage et d'entraînement spécifiques, notamment pour les autres sections de tuyau et les tuyaux en cuivre.

Une pompe hydraulique manuelle bi-étagée sert à faire avancer le galet de rainurage contre le tuyau pour former la rainure. Un écrou de réglage sert à établir le diamètre du tuyau en fond rainure.

Un stabilisateur réglable est prévu pour aider à maintenir l'alignement du tuyau en cours de rainurage, notamment sur les tuyaux s'approchant de la longueur minimale permise de 8" (20 cm).

Cette rainureuse peut être entraînée par une variété d'appareils RIDGID, avec chacun de ces derniers nécessitant une embase spéciale.

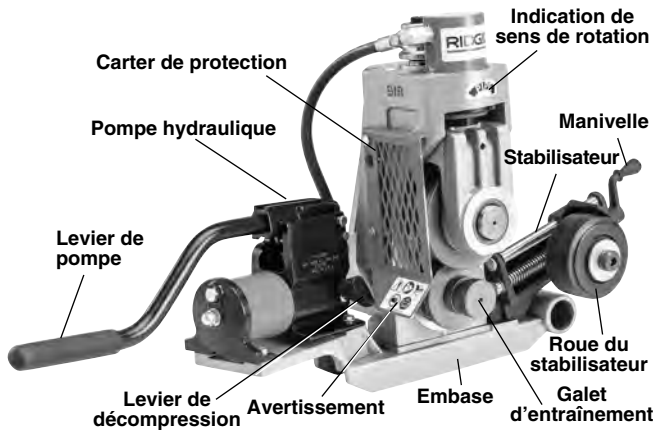


Figure 1A – Rainureuse à galets 918

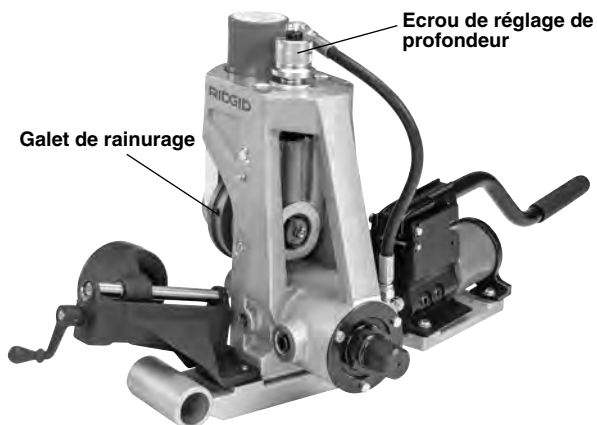


Figure 1B – Rainureuse à galets 918

Caractéristiques techniques

Types de tuyaux.....Acier, acier inoxydable, aluminium et PVC

Capacité

Jeux de galets pour rainures standards.....Tuyaux acier Ø 2" à 6", SCH 10 et 40

Jeux de galets optionnels

.....Tuyaux acier Ø 8" à 12", SCH 10 et Ø 8" SCH 40
 Tuyaux acier Ø 1¼" à 1½" SCH 10 et 40
 Tuyaux cuivre Ø 2" à 6" type K, L, M et DWV
Reportez-vous aux tableaux I, II et III pour les autres matières et épaisseurs de paroi.

Réglage de profondeur...Ecrou de réglage de profondeur

ActionneurPompe hydraulique manuelle bi-étagée

Stabilisateur.....Stabilisateur à réglage manuel pour tuyaux Ø 2½" à 12"

Embases disponiblesSystème d'entraînement RIDGID 300 Power Drive
 Fileteuse RIDGID 1224
 Fileteuse RIDGID 535/M
 Fileteuse RIDGID 300 Compact/1233

Poids (avec embase 300 Power Drive et stabilisateur).....82 lbs. (37 kg)

Dimensions L x P x H (avec embase 300 Power Drive et stabilisateur).....35" x 14" x 17,5"
 (889 x 356 x 445 mm)

*A ne pas utiliser pour le rainurage de tuyaux acier Ø 8" SCH 40 d'une dureté supérieure à 150 BHN. Cela risquerait de produire des rainures hors normes.

AVIS IMPORTANT Utilisée de manière appropriée, la rainureuse à galets type 918 assure le rainurage des tuyaux de 1" à 12" de diamètre selon les spécifications dimensionnelles de la norme AWWA C606-15. Toute utilisation inappropriée de ce matériel risquerait à la fois de produire des rainures non-conformes et endommager le tuyau et l'appareil.

Le choix des matériaux et des méthodes de raccordement appropriés appartient au bureau d'études et/ou à l'installateur concerné. Avant toute tentative d'installation, il convient d'effectuer une étude approfondie du réseau, notamment au niveau du milieu chimique et thermique desservi. Le choix de matériaux et de méthodes d'installation augmenterait les risques de défaillance du réseau.

L'acier inoxydable et autres matériaux anticorrosion risquent d'être contaminés en cours d'installation, de raccordement ou de façonnage. Une telle contamination risque d'occasionner une corrosion susceptible de nuire à la longévité du réseau. Il convient donc d'effectuer une étude approfondie du réseau, notamment au niveau du milieu chimique et thermique desservi avant toute tentative d'installation.

Equipements de base

Reportez-vous au catalogue RIDGID pour les détails visant les accessoires fournis avec les appareils selon leur référence catalogue.

Assemblage

⚠ AVERTISSEMENT

Suivez les consignes d'assemblage suivantes afin de limiter les risques de grave blessure corporelle.

Montage de la 918 sur les diverses embases

1. Montez la 918 sur l'embase d'appareil appropriée en alignant leurs trous $\text{\O} \frac{1}{2}$ ". Lors du montage de la rainureuse sur une embase type 1224, installez la platine d'écartement prévue entre l'embase et la 918. Introduisez deux boulons $\text{\O} \frac{1}{2}$ " via les trous de l'embase, puis serrez-les à fond à l'aide d'une clé de $\frac{3}{4}$ ".
2. Montez la pompe hydraulique sur l'embase à l'aide de quatre boulons $\text{\O} \frac{1}{4}$ ", puis serrez-les à fond à l'aide d'une clé de $\frac{7}{16}$ ". Dans le cas d'une embase type 1244, il sera d'abord nécessaire de monter le support de pompe prévu sur l'embase, puis de monter la pompe sur le support.
3. Montez le stabilisateur sur l'embase. Introduisez deux vis $\text{\O} \frac{3}{8}$ " à travers l'embase, puis serrez-les à fond à l'aide d'une clé Allen de $\frac{5}{16}$ ".
4. Pour une embase type 1233/300 Compact, montez, sans le serrer, le sabot de rail en-dessous de l'embase.
5. Reportez-vous à la *Figure 5* pour les détails. Les chiffres encadrés représentent les étapes 1 à 4 du processus ci-devant. Reportez-vous à la rubrique *Assemblage* pour les figures indiquant les montage de la 918 sur les divers systèmes d'entraînement.

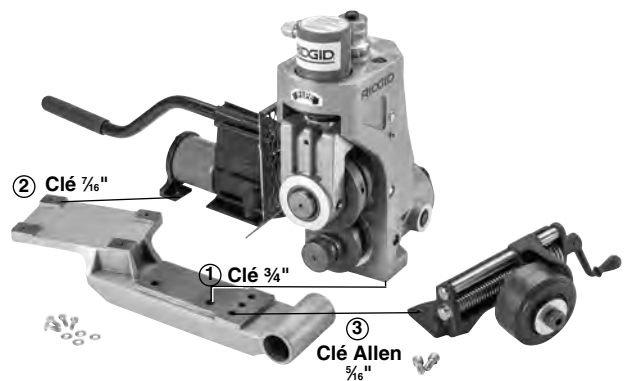


Figure 2 – Montage de la 918 sur embase 300 PD

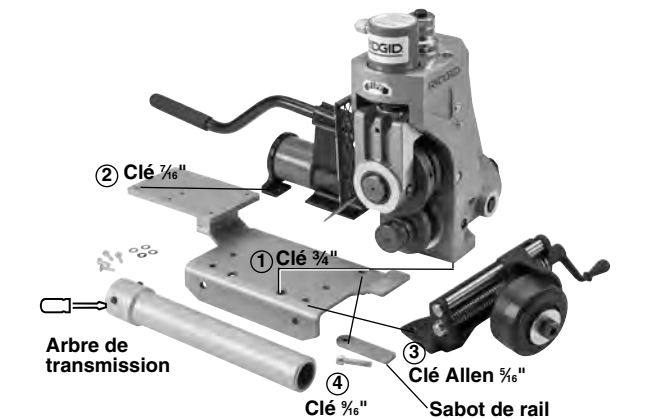


Figure 3 – Montage de la 918 sur embase 300 Compact/1233

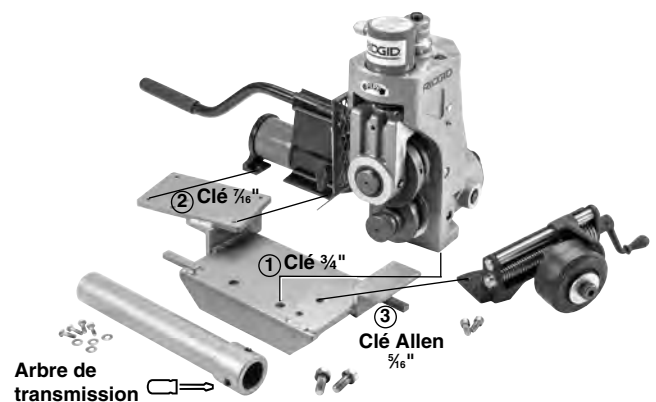


Figure 4 – Montage de la 918 sur embase 535

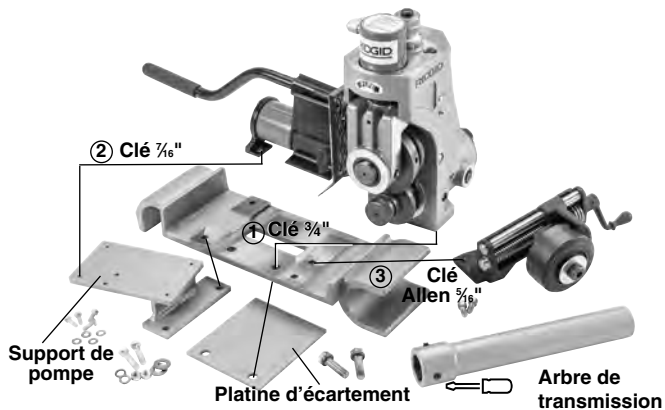


Figure 5 – Montage de la 918 sur embase 1224

Inspection préalable

⚠ AVERTISSEMENT



Ne pas utiliser cette rainureuse à galets avec un système d'entraînement ou fileteuse dépourvu de pédale de commande.

Afin de limiter les risques d'écrasement ou autres blessures corporelles graves et éviter d'endommager l'appareil, inspectez la rainureuse à galets et corrigez toute anomalie éventuelle avant chaque intervention.

1. Quelque soit le système d'entraînement utilisé, assurez-vous qu'il est éteint et débranché avant de procéder.
2. Éliminez toutes traces d'huile, de graisse et de crasse de la rainureuse, notamment au niveau du levier de pompe et de la manivelle du stabilisateur. Cela facilitera son inspection et assurera une meilleure prise en main de l'appareil en cours d'utilisation.
3. L'inspection préalable de la rainureuse devrait couvrir les points suivants :
 - L'assemblage, entretien et intégralité de la rainureuse.
 - L'absence d'éléments brisés, usés, absents, désalignés ou grippés.
 - D'éventuels signes de fuite hydraulique, tel que des traces d'huile sur la rainureuse.

- La présence et condition du carter de protection (Figure 1). Ne pas utiliser la rainureuse à galets sans son carter de protection.
- La présence et lisibilité de l'avertissement apposé sur l'appareil (Figure 6).
- L'état des galets de rainurage et d'entraînement. Si les nervures du galet d'entraînement sont encrassées, nettoyez-les à l'aide d'une brosse métallique. Des nervures encrassées ou usées risquent d'occasionner le dérapage et le déport du tuyau en cours de rainurage.
- L'état de la roue du stabilisateur. Remplacer au besoin.
- Toute autre anomalie qui serait susceptible de nuire à la sécurité et au bon fonctionnement de l'appareil.
- Corrigez toute anomalie éventuelle avant de réutiliser la rainureuse.



Figure 6 – Avertissement

4. Reportez-vous aux modes d'emploi des autres appareils et dispositifs présents afin d'assurer leur inspection, entretien et bon fonctionnement. Assurez-vous de la présence et du bon fonctionnement de la pédale de commande du système d'entraînement ou de la fileteuse utilisé.

Préparation de l'appareil et du chantier

⚠ AVERTISSEMENT



Préparez la rainureuse et le chantier selon les indications suivantes afin d'assurer son bon fonctionnement

et limiter les risques de renversement, d'écrasement ou autres blessures.

Notez le poids du matériel et appliquez les méthodes appropriées lors de sa manutention.

Vérifiez le montage approprié de la rainureuse sur le système d'entraînement ou fileteuse utilisé. Soutenez le tuyau de manière appropriée. Cela limitera les risques de blessures occasionnées par la chute du tuyau ou le renversement de l'appareil.

1. Le chantier en question doit présenter :
 - Un éclairage suffisant.
 - Un endroit dégagé, propre, de niveau, stable et au sec pour l'installation du matériel et pour son utilisateur. Éliminez toutes traces d'huile présentes.
2. Reportez-vous à la rubrique *Caractéristiques techniques* pour sélectionner l'outil approprié selon le type de tuyau utilisé. Le rainurage d'autres types de tuyau est couvert dans le catalogue RIDGID en ligne à RIDGID.com. Ne pas utiliser cette rainureuse pour le rainurage de tés, coudes ou autres éléments non-rectilignes ou façonnés. Cela augmenterait les risques d'accident.
3. Vérifiez que l'ensemble du matériel utilisé ait été correctement inspecté et assemblé. Assurez-vous que le jeu de galets de rainurage installé correspond bien à l'application envisagée.

AVIS IMPORTANT L'utilisation d'un même jeu de galets de rainurage et d'entraînement à la fois sur des tuyaux en acier et en acier inoxydable risque de contaminer ces derniers. Une telle contamination risque de provoquer une corrosion susceptible d'entraîner leur défaillance prématurée. Le meilleur moyen d'éviter la contamination ferreuse des tuyaux en acier inoxydable est de dédier des jeux de galets au seul rainurage des tuyaux inox. À défaut, utilisez une brosse en inox pour soigneusement nettoyer les galets lors de la transition acier/inox.

4. Installez le système d'entraînement ou fileteuse utilisé sur la plate-forme prévue selon les instructions correspondantes. Assurez-vous que son commutateur REV/OFF/FOR se trouve en position « OFF ».

Lors de l'utilisation de la 918 avec une fileteuse type 535A à mandrin automatique (Auto Chuck), il est conseillé de configurer la fileteuse pour que son mandrin s'engage sur le tuyau en marche arrière afin de permettre l'utilisation du stabilisateur de la rainureuse. Reportez-vous à la rubrique *Filetages à gauche du Manuel de la 535A Auto Chuck* pour la configuration des mâchoires du mandrin leur permettant d'engager le tuyau en marche arrière.

5. Montez la 918 sur le système d'entraînement ou la fileteuse en suivant les consignes de la rubrique correspondante. Assurez-vous du bon montage et de la stabilité de l'ensemble.
6. Positionnez la pédale de commande comme indiqué à la *Figure 18*.
7. Une fois la 918 correctement installée, et avec les mains sèches, suivez les instructions pour brancher l'appareil sur une prise de courant appropriée.

Montage de la 918 sur système d'entraînement N° 300

1. Vérifiez le montage et assemblage appropriés de la 918.
2. Retirez le chariot ou autres accessoires des supports du système d'entraînement N° 300. Assurez-vous que les supports du système d'entraînement sont complètement déployés et fixés en position.
3. Ouvrez le mandrin avant du système d'entraînement complètement.
4. Engagez l'ouverture côté stabilisateur de l'embase sur le support arrière, puis rabaissez la pompe sur le support avant (*Figure 7A*).
5. Amenez l'embase vers le système d'entraînement N° 300.
6. Engagez l'arbre de transmission de la rainureuse dans le mandrin de l'appareil. Alignez les plats de l'arbre sur les mors du mandrin.
7. Serrez le mandrin avant à fond sur les plats de l'arbre de transmission (*Figure 7B*).



Figure 7A – Montage de la 918 sur système d'entraînement N° 300



Figure 7B – Serrage du mandrin sur l'arbre de transmission

Montage de la 918 sur fileteuse 300 Compact ou 1233

Ne montez pas la rainureuse 918 sur une fileteuse type 300 Compact ou type 1233 soutenue par des jambages tubulaires droits. Ce type de jambage n'assure pas suffisamment de résistance au couple développé par la rainureuse. Utilisez plutôt les jambages tubulaires recourbés (réf. 56532) optionnels qui sont prévus pour assurer une meilleure stabilité dans ce type d'application. Reportez-vous à la Figure 8A pour voir l'orientation appropriée de ces jambages. Leurs boulons Ø 10 mm aligneront les jambages dans la bonne direction.

La rainureuse à galets 918 ne peut pas être montée sur les appareils utilisant le support pliant type 250, car le manche du support empêcherait le placement du tuyau. Equipée de l'embase appropriée, la 918 peut être montée sur les supports type 100A, 150A et 200A.

1. Assurez-vous que la 918 est montée de manière appropriée sur l'embase prévu pour le système d'entraînement utilisé.
2. Amenez le chariot vers le mandrin avant de la fileteuse, puis rabattez ses accessoires afin de les dégager. Ramenez l'alésoir dans la tête de filière afin de le protéger et éviter les risques de contact.

3. Ouvrez le mandrin avant de la fileteuse à fond, puis introduisez l'arbre de transmission dans le mandrin sans le serrer.
4. Posez l'encoche côté pompe de l'embase sur le rail du chariot (Figure 8B), puis rabaissez le stabilisateur sur le rail arrière du chariot.
5. Positionnez l'arbre de transmission sur les plats de l'arbre d'entraînement. Alignez les plats de l'arbre d'entraînement sur les vis de blocage de l'arbre de transmission, puis serrez-les à fond.
6. Avec la 918 positionnée en tête de la fileteuse, serrez le mandrin avant de la fileteuse à fond sur l'arbre de transmission (Figure 8C).
7. Montez le sabot de rail sous le rail de chariot arrière et serrez-le (Figure 8D).



Figure 8A – Installation des jambages recourbés réf. 56532



Figure 8B – Montage de la 918 sur fileteuse N° 1233

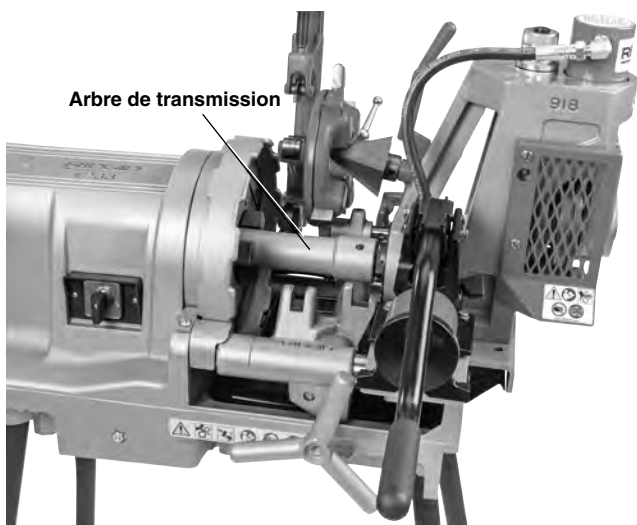


Figure 8C – Installation de l'arbre de transmission

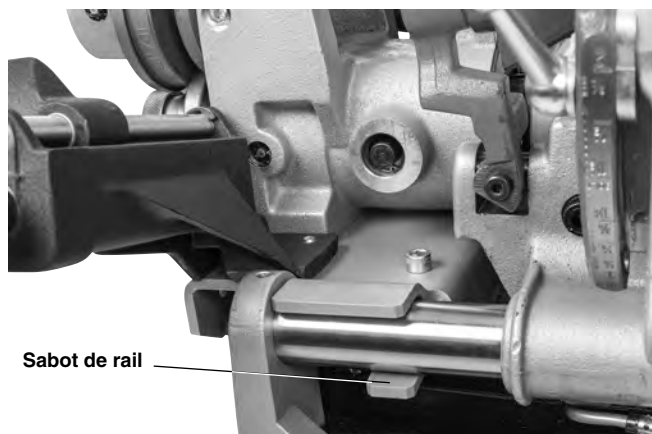


Figure 8D – Installation du sabot de rail

Montage de la 918 sur fileteuses types 535 et 1224

De manière générale, la 918 peut être montée sur les fileteuses 535 et 1244 avec son arbre de transmission déjà en place, mais il est également possible de l'installer séparément, comme sur les fileteuses 300 Compact et 1233 (*reportez-vous à la rubrique correspondante*).

Lors de l'utilisation de la rainureuse avec une fileteuse 535 Auto Chuck à mandrin automatique, préparez-la de manière à ce que les mâchoires du mandrin s'engagent sur le tuyau en marche arrière (REV) comme indiqué dans la rubrique *Filetage à gauche* du mode d'emploi de la fileteuse 535.

1. Vérifiez le montage approprié de la 918 sur l'embase prévue pour le système d'entraînement utilisé. Serrez son arbre de transmission à fond.
2. Amenez le chariot de la fileteuse vers son mandrin avant, puis rabattez ses accessoires afin de les dégager. Ramenez l'alésoir dans la tête de filière afin de le protéger et éviter les risques de contact.
3. Ouvrez le mandrin avant de la fileteuse à fond.
4. Avec l'extrémité de l'arbre de transmission dans le mandrin de la fileteuse, positionnez l'encoche côté stabilisateur de l'embase sur le rail de chariot arrière, puis descendez la pompe sur le rail de chariot avant (*Figure 9*).

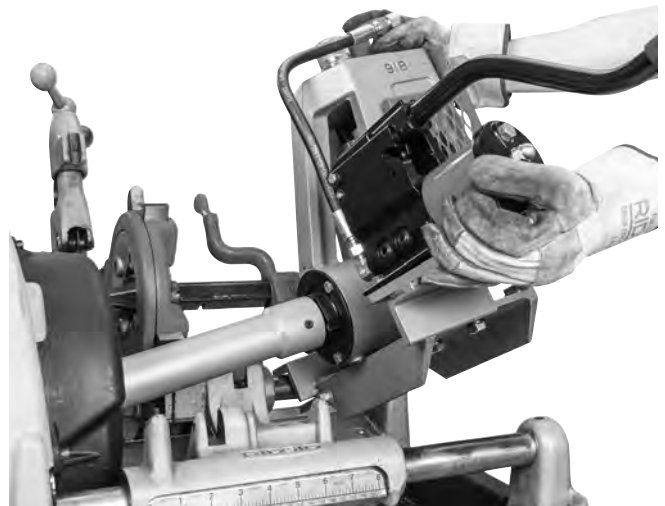


Figure 9 – Rainureuse à galets 918 sur embase de fileteuse N° 535

5. Avec la 918 en position à l'extrémité de la fileteuse, serrez le mandrin avant à fond sur l'arbre de transmission (*Figure 10*).

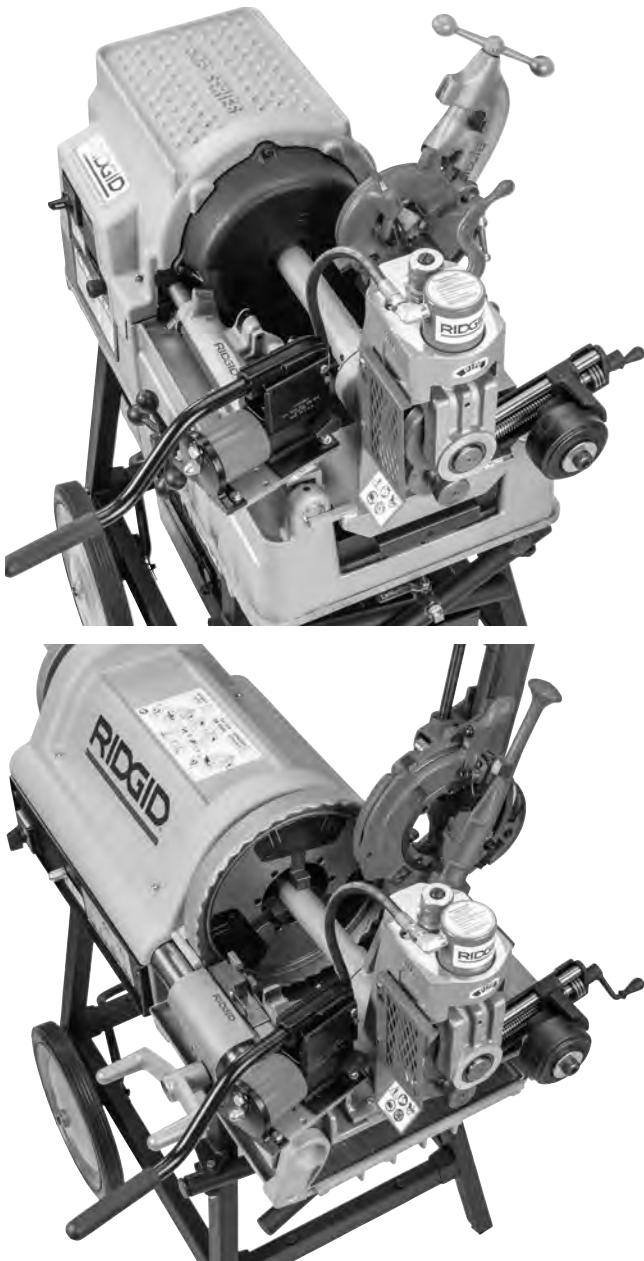


Figure 10 – 918 montée sur 535A et 1224

Mode d'emploi

⚠ AVERTISSEMENT



Eloignez vos mains des galets de rainurage. Ne portez pas de gants mal ajustés. Vos doigts risqueraient d'être écrasés entre les galets, entre le galet de rainurage et le tuyau ou entre le tuyau et la roue du stabilisateur.

Eloignez vos mains des extrémités du tuyau. Ne mettez pas vos mains à l'intérieur du tuyau. Ne

touchez pas la rainure en cours de rainurage. Ses bavures et bords tranchants peuvent accrocher et couper vos mains. Vos doigts risqueraient d'être écrasés entre les galets ou entre ceux-ci et le tuyau.

Gardez le carter de protection en place. N'utilisez pas la rainureuse sans son carter de protection. Toute exposition aux galets de rainurage augmenterait les risques d'entortillement et de blessure grave.

Ne tentez de rainurer que des tuyaux d'une longueur minimale de 8" (200 mm). Le rainurage de tuyaux de longueur inférieure à celle spécifiée augmenterait les risques d'enchevêtrement et d'écrasement.

Ne pas utiliser ce type de rainureuse à galets sur des systèmes d'entraînement ou fileteuses dépourvus de pédale de commande. Ne jamais tenter de bloquer une pédale de commande en position « Marche » afin de l'empêcher de contrôler l'appareil. Une pédale de commande permet de mieux contrôler l'appareil en l'arrêtant dès qu'elle est relâchée. Si un vêtement se prend dans le mécanisme et que le moteur continue à tourner, vous serez entraînés dans l'appareil. Cet appareil produit un couple capable d'entortiller les vêtements autour d'un membre avec suffisamment de force pour écraser ou briser les os et provoquer des contusions ou autres blessures.

Assurez-vous de la stabilité de la rainureuse, du tuyau, des supports et du système d'entraînement. Vérifiez le montage et l'arrimage appropriés de la rainureuse. Cela évitera les risques de renversement du matériel et du tuyau. Soutenez le tuyau de manière appropriée. Cela aidera à éviter le renversement du tuyau et du matériel.

Portez systématiquement une protection oculaire. Portez des chaussures blindées afin de vous protéger en cas de renversement du matériel ou des tuyaux.

Préparez et utilisez cette rainureuse à galets selon les indications suivantes afin de limiter les risques de renversement de l'appareil, d'entortillement ou écrasement des membres et autres accidents, voire la détérioration éventuelle du matériel.

1. Vérifiez la préparation appropriée de l'appareil et du chantier, ainsi que l'absence de spectateurs ou autres distractions potentielles. L'utilisateur doit être le seul individu présent durant le fonctionnement de l'appareil.
2. Positionnez la pédale de commande comme indiqué à la *Figure 18*.
3. Vérifiez le bon fonctionnement de la rainureuse à galets. En vous tenant à l'écart :
 - Mettez le commutateur REV/OFF/FOR du système d'entraînement ou fileteuse utilisé à la position REV. Appuyez momentanément sur la pédale de commande. Le galet d'entraînement de la rainureuse devrait tourner en sens horaire (*Figure 14*), voire dans le sens indiqué par la flèche rotationnelle apposée sur la rainureuse. Si la rainureuse tourne en sens inverse ou que la pédale de commande ne

fonctionne pas correctement, il sera nécessaire de réparer l'appareil avant toute utilisation future.

- Appuyez sur la pédale de commande le temps nécessaire pour vous assurer de l'absence d'éléments désalignés, grippés, bruyants ou autrement endommagés. Vérifiez que l'appareil tourne à moins de 58 t/min. Toute vitesse de rotation supérieure augmenterait les risques d'accident. Retirez votre pied de la pédale de commande. En cas d'anomalie constatée, il sera nécessaire de réparer l'appareil avant toute utilisation future.
- Mettez le commutateur REV/OFF/FOR en position Off puis, avec les mains sèches, débranchez l'appareil.

Préparation des tuyaux

AVIS IMPORTANT Il s'agit ici de consignes générales. Reportez-vous aux consignes spécifiques du fabricant des joints d'étanchéité en matière de la préparation des extrémités des tuyaux. Le non-respect de ces dernières augmenterait les risques de défaillance des joints étanches et de fuite.

1. Respectez les limites de conformité des tuyaux. Les tuyaux hors norme risquent d'occasionner des fuites et autres problèmes. L'ovalisation des tuyaux ne doit pas excéder les limites de diamètre extérieur indiquées à la rubrique *Caractéristiques de rainurage standard du Tableau II*.
2. Coupez le tuyau à la longueur voulue, tout en respectant la longueur minimale de tuyau pouvant être rainurée.
 - Les tuyaux de 5" ou moins de diamètre doivent avoir une longueur minimale de 8" (20 cm).
 - Les tuyaux de 6" à 12" de diamètre doivent avoir une longueur minimale de 10" (25 cm).

Le rainurage de tuyaux de longueur insuffisante augmenterait les risques d'écrasement et d'entortillement des doigts.

3. La coupe des extrémités du tuyau doit être rectiligne et sans bavures. Les bavures peuvent accrocher ou déchirer vos gants et vos doigts en cours de rainurage. La méthode utilisée pour le sectionnement des tuyaux et la présence de grosses bavures risquent d'influencer à la fois la qualité du rainurage et le tracé de la rainureuse. Ne jamais tenter de rainurer de tuyaux coupés au chalumeau.
4. Éliminez toutes billes, creux ou boursoufflures de soudage internes et externes, écailles, salissures, rouille ou autres contaminants sur une profondeur d'au moins 2" à partir de l'extrémité du tuyau. Ne jamais couper de plats au droit de l'assise du joint

d'étanchéité, car cela pourrait favoriser les fuites. La présence de contaminants risque de colmater les bourrelets du galet d'entraînement et empêcher la rotation et le traçage approprié du tuyau en cours de rainurage.

Engagement et désengagement du galet de rainurage

Le déplacement du galet de rainurage est contrôlé par sa pompe hydraulique.

- Pour engager le galet de rainurage, relevez le levier d'engagement de la pompe, puis actionnez le manche de la pompe.
- Pour désengager le galet de rainurage, rabaissez le levier (*Figure 11*).



Figure 11 – Position du levier d'engagement de la pompe

Introduction du tuyau dans la rainureuse

1. Vérifiez que le commutateur du système d'entraînement est en position OFF.
2. Rétractez le galet de rainurage complètement.
3. Prévoyez les porte-tubes appropriés afin de soutenir le tuyau. Réglez la hauteur des porte-tubes de manière à tenir le tuyau de niveau avec son extrémité assise sur le galet d'entraînement (*Figure 12*).

Positionnez les porte-tubes dans l'alignement de la rainureuse. Leur écartement dépendra de la longueur du tuyau.

Les tuyaux de faible longueur (*Tableau A*) devront être soutenus à la fois par le galet d'entraînement et au moins un porte-tubes. Le cas échéant, le porte-tubes devra être éloigné de la rainureuse d'un peu plus de la moitié de la longueur du tuyau.

Ø nom.	Longueur mini	Longueur maxi	Ø nom.	Longueur mini	Longueur maxi
1	8	36	4	8	36
1¼	8	36	4½	8	32
1½	8	36	5	8	32
2	8	36	6 O.D.	10	30
2½	8	36	6	10	28
3	8	36	8	10	24
3½	8	36	10	10	24
4	8	36	12	10	24

Tableau A – Longueurs mini et maxi des tuyaux pouvant être rainurés avec un seul porte-tubes (en pouces).

Les tuyaux de plus grande longueur nécessiteront au moins deux porte-tubes, chacun placé approximativement au quart de sa longueur. Un manque de soutien approprié du tuyau risque d'occasionner sa chute et le renversement de l'ensemble. L'utilisation de porte-tubes est impérative. Ils aident à aligner les tuyaux et maintenir le tracé de rainurage.

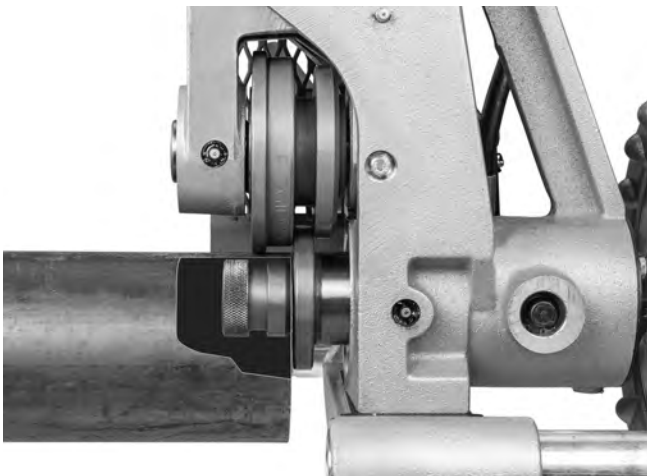


Figure 12 – Positionnement du tuyau sur le galet d'entraînement et contre la butée de l'arbre d'entraînement (Ici, le stabilisateur a été enlevé pour plus de clarté)

- Placez le tuyau sur le (ou les) porte-tubes avec son extrémité assise sur le galet d'entraînement et appuyée contre la butée de l'arbre d'entraînement (Figure 12). Vérifiez la stabilité et l'assise du tuyau.



Figure 13 – Nivellement du tuyau

- Amenez le galet de rainurage contre le tuyau juste assez pour le retenir, mais sans le rainurer.
- Vérifiez l'alignement du tuyau. S'il n'est pas correctement aligné, son rainurage risque d'osciller.
 - L'extrémité du tuyau doit s'appuyer contre la butée de l'arbre d'entraînement.
 - Les axes du tuyau et de l'arbre d'entraînement doivent être alignés. Cet alignement peut être vérifié à l'aide d'un niveau à bulle placé sur le cylindre hydraulique et sur le tuyau (Figure 13).
 - La rainureuse et son système d'entraînement doivent rester stables. Si l'ensemble a tendance à se soulever si peu soit-il, il sera nécessaire de repositionner le (ou les) porte-tubes.
- Mode opératoire préféré – Commutateur en position REV :** Ramenez légèrement le tuyau et le (ou les) porte-tubes d'environ ½° vers l'utilisateur, soit d'un pouce par 10 pieds de longueur de tuyau. L'alignement du tuyau et de la rainureuse aidera à assurer le tracé approprié de la rainure en cours d'opération (Figure 14). Ceci est le déport nécessaire au rainurage des tuyaux en position REV et permet l'utilisation du stabilisateur.

Mode opératoire alternatif – Commutateur en position FOR : Si vous utilisez la rainureuse en marche avant avec le commutateur tourné à FOR (tel que sur les fileteuses à mandrin automatique type 535 Auto Chuck qui n'ont pas été converties au mandrin bidirectionnel) il sera nécessaire de déporter le tuyau et le ou les porte-tubes au contre de l'utilisateur sur environ ½° (Figure 15). A noter que le stabilisateur ne peut pas être utilisé et le commutateur en position FOR, car il risquerait d'envoyer le tuyau en spirale et hors du jeu de galets.

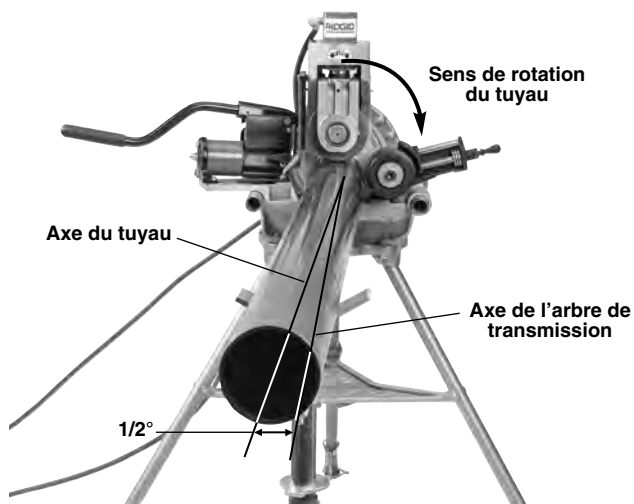


Figure 14 – Déport du tuyau de $\frac{1}{2}^\circ$ vers l'utilisateur (exagéré)

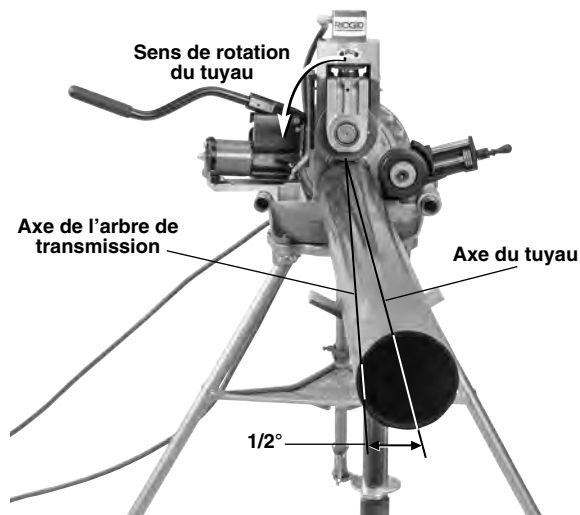


Figure 15 – Déport du tuyau de $\frac{1}{2}^\circ$ au contre de l'utilisateur (exagéré)

8. Limitez l'accès au chantier ou entourez-le de barrières afin de créer un périmètre d'au moins 3' (1m) autour du matériel et du tuyau. Cela aidera à éviter à autrui d'entrer en contact avec le matériel et le tuyau, en plus de limiter les risques de renversement et d'entortillement.
9. Avec les mains sèches, branchez le système d'entraînement ou la fileteuse dans une fiche électrique avec terre appropriée.

Etablissement et réglage du diamètre de rainurage

AVIS IMPORTANT Vu la variété des caractéristiques des divers types de tuyaux, et afin de limiter les risques de rainures hors normes, il est impératif d'effectuer un rainurage-témoin avant la première intervention du jour et en cas de changement de section, type, nature ou lot de tuyaux. Procédez ensuite à la vérification du diamètre de la rainure.

1. Assurez-vous de la préparation appropriée du matériel et du tuyau, ainsi que du positionnement de ce dernier. Une préparation inadéquate risque de nuire à la précision du diamètre de rainurage.
2. Le galet de rainurage doit légèrement gripper le tuyau. Au besoin, faites avancer le galet de rainurage juste assez pour gripper le tuyau, mais sans l'entamer.
3. Tournez la molette de l'écrou de réglage de profondeur jusqu'à buter.
4. Ramenez l'écrou de réglage de profondeur d'un tour complet (Figure 16).

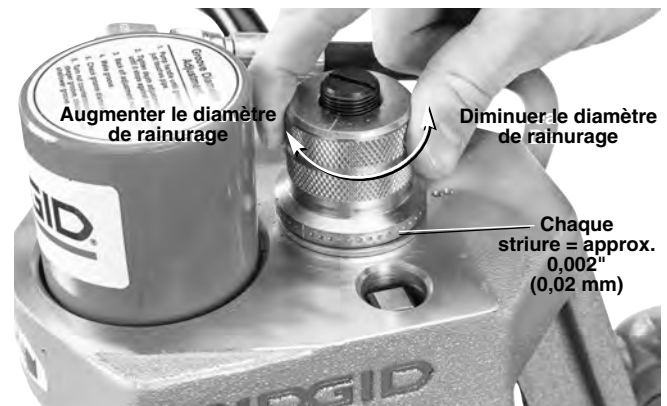


Figure 18 – Réglage de l'écrou de profondeur de rainurage

5. Effectuez un rainurage témoin.
6. Examinez et mesurez le rainurage témoin. Si le diamètre du rainurage est hors norme, il sera nécessaire de tourner la molette de l'écrou de réglage de profondeur jusqu'à obtenir le diamètre de rainurage voulu (Figure 16).
 - Pour augmenter le diamètre de rainurage (rainure insuffisamment profonde), tournez la molette de réglage en sens horaire.
 - Pour diminuer le diamètre de rainurage (rainure trop profonde), tournez la molette de réglage en sens anti-horaire.
 - Chaque quart de tour de l'écrou de réglage modifie le diamètre de rainurage par environ 0,025" (0,6 mm). Chaque incrément de la molette de réglage correspond à un changement de diamètre d'environ 0,002" (0,05 mm).
7. Répétez les étapes 4 à 6 jusqu'à obtenir le diamètre de rainurage voulu. Si la rainure est trop large, la rainureuse peut être réglée afin de la réduire. Si la rainure est trop petite, il sera nécessaire d'entamer une nouvelle rainure.

Utilisation du stabilisateur

Le stabilisateur s'appuie légèrement sur les tuyaux de 2 1/2" à 12" de diamètre afin d'améliorer leur traçage. Il est par-

ticulièrement utile lors du rainurage de courtes longueurs de tuyau, mais peut aussi servir pour toutes longueurs de tuyau. Le stabilisateur réduit également le balayage de tuyaux de grande longueur et de grand diamètre.

Le stabilisateur ne peut être utilisé que lorsque le commutateur REV/OFF/FOR du système d'entraînement se trouve en position REV (dans le sens de rotation indiqué sur la rainureuse indiqué à la *Figure 17*). S'il est utilisé avec le commutateur REV/OFF/FOR en position FOR, le tuyau sera éjecté des galets de la rainureuse.

1. Préparez le matériel de manière appropriée, puis engagez le tuyau.
2. Réglez le diamètre de rainurage voulu.
3. Tournez la manivelle du stabilisateur pour l'amener contre le tuyau. Ajoutez un tour de manivelle pour mettre sa roue en charge contre le tuyau (*Figure 17*). Ne pas passer votre main de l'autre côté du tuyau pour régler le stabilisateur.
4. Rainurez le tuyau. En cours d'opération, éloignez vos mains du galet de rainurage, de la roue du stabilisateur et de l'extrémité du tuyau. Ne tentez pas de rainurer des longueurs de tuyau plus courtes qu'indiqué, de mettre votre main à l'intérieur du tuyau ou de toucher la rainure. Cela limitera les risques de blessure.

Si, en cours de rainurage, le tuyau commence à dévier, lâchez la pédale de commande et arrêtez le processus. Préparez une nouvelle rainure, puis tournez la manivelle d'un demi-tour de plus afin d'augmenter la charge. N'augmentez pas la charge excessivement, car cela pourrait endommager le galet.

Une fois le stabilisateur réglé pour un diamètre et type de tuyau donné, il n'est généralement pas nécessaire de le réajuster ou de le ramener lors du positionnement ou retrait des tuyaux suivants.

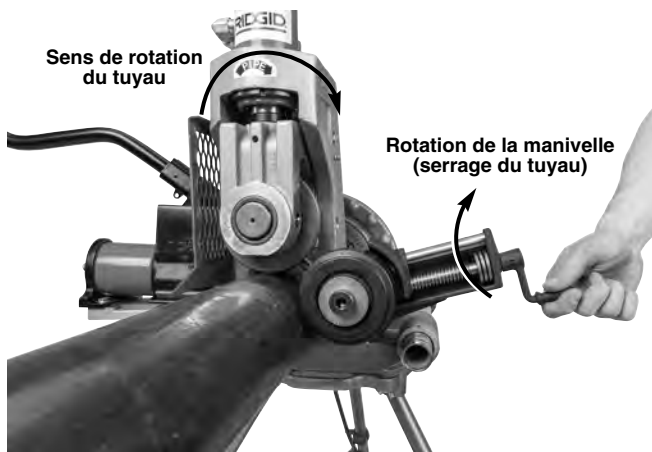


Figure 17 – Positionnement du stabilisateur

Rainurage des tuyaux

1. Vérifiez l'installation du matériel, ainsi que la préparation et positionnement du tuyau. Ne tentez pas de rainurer des tuyaux d'une longueur inférieure à 8".
2. Réglez le diamètre de rainure voulu.
3. Au besoin, réglez la position du stabilisateur.
4. Adoptez la position de travail appropriée (*Figure 18*) afin de mieux contrôler l'appareil et le tuyau.



Figure 18 – Position de travail appropriée

- Tenez-vous face à la rainureuse, côté commutateur REV/OFF/FOR, de manière à pouvoir accéder à la fois au commutateur, au levier de pompe et au tuyau. Votre main gauche tiendra le levier de pompe, tandis que votre main droite sera éloignée du tuyau sauf si vous devez y appuyer légèrement pour maintenir son alignement comme indiqué à la rubrique *Conseils d'alignement*.
 - Assurez-vous de pouvoir contrôler la pédale de commande. N'appuyez pas encore sur la pédale de commande. En cas d'urgence vous devez pouvoir lâcher la pédale.
 - Assurez-vous de pouvoir maintenir votre équilibre à tout moment durant le processus.
5. Mettez le commutateur REV/OFF/FOR en position REV.

6. Appuyez sur le levier de pompe sur environ un quart de sa course totale pour engager le galet de rainurage contre le tuyau.
7. Appuyez sur la pédale de commande. Le tuyau se mettra à tourner. Laissez le tuyau effectuer une rotation complète entre chaque appui d'un quart de course du levier de pompe. Ne faites pas avancer le galet de rainurage trop agressivement, car cela risquerait de déloger le tuyau de la rainureuse et déformer la rainure. Eloignez vos mains des galets, du tuyau et de la roue du stabilisateur. Ne tentez pas de mettre votre main dans le tuyau ou toucher la rainure.

Suivez le processus de rainurage de près. L'extrémité du tuyau doit rester en contact avec la butée de l'arbre de transmission et le tuyau doit maintenir l'alignement prévu à tout moment. Si le tuyau commence à se déporter, lâchez la pédale de commande et interrompez le processus. Eloignez-vous de l'appareil au cas où le tuyau se délogerait des galets. Si le tuyau commence à naviguer, interrompez le processus et vérifiez son positionnement. Si le tuyau est endommagé, il sera nécessaire d'entamer un nouveau rainurage.

Continuez d'appuyer sur le levier de pompe sur un quart de course après chaque rotation du tuyau.

Lors de l'utilisation d'un jeu de galets de 1", il est particulièrement important d'éviter les risques associés à une agressivité de rainurage excessive, un mauvais réglage du diamètre de rainure, un manque de profondeur de rainure et à plus d'un quart de course d'appui sur le levier de pompe par rotation de tuyau. Cela risque d'endommager le galet d'entraînement de 1".

8. Lorsque l'écrou de réglage de profondeur atteint le haut de la rainureuse, laissez le tuyau faire encore deux tours complets afin d'assurer une profondeur de rainure uniforme.
9. Lâchez la pédale de commande.
10. Mettez le commutateur REV/OFF/FOR en position OFF.
11. Ramenez le galet de rainurage, puis retirez le tuyau de la rainureuse.
12. Examinez et mesurez la rainure.

Conseils d'alignement

Il arrive parfois qu'en cours de rainurage, le tuyau s'échappe des galets ou qu'il sort d'alignement.

Il importe de respecter l'ensemble des consignes ci-dessus si l'on veut maintenir l'alignement des tuyaux. Si, même après avoir suivi ces instructions, le tuyau refuse de rester aligné, essayez les astuces suivantes :

- Augmentez légèrement le déport du tuyau (de $\frac{1}{2}^\circ$ à 1°) selon la *Figure 14*.
- Ajoutez un demi-tour à la manivelle du stabilisateur.
- Appuyez légèrement sur le tuyau pour maintenir son alignement. Cela n'est généralement nécessaire que lors des rainurages sans stabilisateur de courtes longueurs de tuyau. Pour ce faire, portez des gants de cuir en bon état avant de retenir le tuyau légèrement vers vous comme indiqué à la *Figure 19*. Cela peut nécessiter l'arrimage au sol du système d'entraînement et du porte-tubes pour éviter leur déplacement en cours d'opération. Limitez les risques d'écrasement et de coupure en éloignant votre main du galet de rainurage et des extrémités du tuyau. Ne tentez pas de rainurer de tuyaux plus courts qu'indiqués, ne mettez pas vos mains à l'intérieur du tuyau, et ne touchez pas la rainure.



Figure 19 – Retenue du tuyau avec le système d'entraînement en position REV

Le stabilisateur ne peut pas être utilisé lorsque le commutateur du système d'entraînement est en position FOR et qu'il tourne en marche avant. Le cas échéant, éloignez la roue du stabilisateur du tuyau. Si le stabilisateur est utilisé avec le système d'entraînement en position FOR, le tuyau sera éjecté des galets. Au besoin, l'utilisateur devra porter un gant en cuir en bon état avant de légèrement pousser le tuyau en avant avec sa main droite comme indiqué à la *Figure 20*.



Figure 20 – Tuyau poussé légèrement en avant avec le système d'entraînement en position FOR

Inspection et mesure de la rainure

1. Examen de la mesure :

- Vérifiez la présence et conformité de l'ensemble des caractéristiques voulus en vous reportant au *Tableau II* et à la *Figure 30*.
- Mesurez le diamètre du tuyau en fond de rainure et assurez-vous de sa conformité aux spécifications indiquées.
- Vérifiez tout autre élément précisé par le fabricant des raccords.
- Eprouvez le système selon la réglementation locale et les règles de l'art.

En cas d'anomalie, n'utilisez pas cette rainure. Un diamètre en fond de rainure approprié est essentiel à l'étanchéité du raccord. Une rainure hors normes pourrait occasionner la défaillance du raccord.

2. Mesurez le diamètre en fond de rainure du tuyau à l'aide du ruban optionnel indiqué dans la rubrique Accessoires. Entourez le fond de rainure avec le ruban à plat, puis relevez le diamètre indiqué (*Figure 21*). Comparez le diamètre de fond de rainure au diamètre indiqué aux *tableaux II ou III*, ou bien celui indiqué par le fabricant des raccords.



Figure 21 – Vérification du diamètre en fond de rainure à l'aide d'un ruban

Transport de l'appareil

Retirez la 918 du système d'entraînement ou fileteuse utilisé avant son transport. Notez le poids du matériel. Prenez les précautions d'usage lors de son soulèvement ou déplacement.

Remisage

AVERTISSEMENT La rainureuse à galets 918 doit être rangée à l'intérieur ou suffisamment bien protégée contre les intempéries. Gardez l'appareil sous clé et hors de la portée des enfants et curieux. Cet appareil est capable de provoquer de graves lésions corporelles s'il tombe entre les mains d'individus sans formation adéquate.

Consignes d'entretien

⚠ AVERTISSEMENT

Débranchez l'appareil avant son entretien ou réglage.

Maintenez la rainureuse à galets 918 selon les indications suivantes afin de limiter les risques de blessure.

Nettoyage

Utilisez un chiffon doux humecté pour nettoyer la rainureuse.

Nettoyez le moletage du galet d'entraînement à l'aide d'une brosse métallique avant et durant chaque intervention. Lors du rainurage des tuyaux en acier inoxydable, nettoyez les deux galets à l'aide d'une brosse en acier inoxydable.

Lubrification

Lubrifiez la rainureuse mensuellement (ou plus souvent si nécessaire) avec une graisse au lithium du commerce. Lubrifiez-la systématiquement après chaque changement de galets.

- Gavez les graisseurs indiqués à la *Figure 22* jusqu'à la sortie d'une petite quantité de graisse.



Figure 22 – Graisseurs

- Huilez les articulations et pièces en frottement tels que l'écrou de réglage de profondeur et la vis d'avancement du stabilisateur à l'aide d'une huile minérale légère. Essuyez toutes traces d'huile excédentaire.

Niveau d'huile hydraulique

Enlevez le bouchon de remplissage d'huile (*Figure 23*). Le niveau de l'huile devrait atteindre le repère haut lorsque la pompe est assise avec son vérin rétracté. Utilisez exclusivement de l'huile hydraulique ISO 15.



Figure 23 – Bouchon de remplissage d'huile

L'huile hydraulique doit être remplacée annuellement ou plus souvent si nécessaire. Pour la vidanger, ouvrez le bouchon de remplissage et videz l'huile dans un récipient approprié. Disposez de l'huile usée selon les indications de la Fiche Signalétique de l'appareil et de la réglementation en vigueur.

Il sera peut-être nécessaire de purger l'air du système hydraulique après changements d'huile. Pour ce faire, couchez la pompe sur son côté, puis actionnez son vérin à plusieurs reprises afin de foncer l'air vers le réservoir.

Changement des jeux de galets

AVIS IMPORTANT Lors de leur remplacement, assurez-vous que chaque jeu de galets est appareillé. Des galets de rainurage et d'entraînement désappareillés risqueraient de produire des rainures de mauvaise qualité et provoquer des fuites. Changez systématiquement le jeu de galets. Ne jamais mélanger de galets venant de jeux différents.

Le cas échéant, déposez la rainureuse du système d'entraînement ou de fileteuse sur lequel elle est montée, puis posez-la sur un établi stable.

Soutenez les galets et les arbres de manière appropriée lors de leur remplacement.

Remplacement du galet de rainurage

1. Ramenez le galet de rainurage entièrement.
2. Ramenez la roue du stabilisateur entièrement.
3. Desserrez la vis de blocage du galet de rainurage (*Figure 24*). Retirez l'ensemble arbre/galet de la rainureuse en tirant sur le galet (*Figure 25*).
4. Installez le nouvel ensemble arbre/galet en inversant le processus. En ce faisant, assurez-vous de la parfaite propreté des surfaces afin d'éviter la contamination des roulements. Lubrifiez les roulements avant d'utiliser l'appareil.

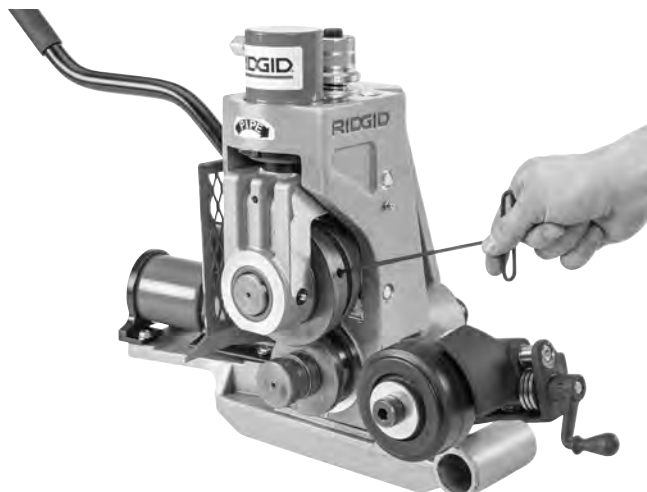


Figure 24 – Desserrage de la vis de blocage du galet de rainurage



Figure 25 – Retrait de l'ensemble arbre/galet de rainurage

Changement de l'ensemble arbre/galet d'entraînement

La 918 utilise deux types d'arbre d'entraînement ; Un arbre monobloc à galet incorporé pour les tuyaux Ø 2" à 6" et Ø 8" à 12", et un arbre indépendant permettant le montage de galets interchangeables pour les tuyaux Ø 1", 1 ¼" et 1½", ainsi que les galets pour cuivre Ø 2" à 6" (Figure 26).

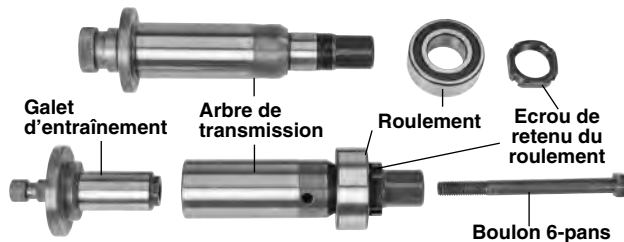


Figure 26 – Arbre monobloc (haut) et arbre indépendant (bas)

1. Retirez le galet de rainurage.
2. Tournez l'arbre de transmission manuellement, tout en appuyant sur la broche de verrouillage jusqu'à ce qu'elle s'engage dans l'arbre.

Changement de l'arbre de transmission

3. Avec la broche de verrouillage engagée, retirez l'écrou de retenue du roulement à l'aide de la clé plate prévue (Figure 27).
4. Relâchez la broche de verrouillage pour permettre son retrait.
5. Retirez l'arbre de transmission via l'avant de la rainureuse.
6. Installez le nouvel arbre en inversant le processus. En ce faisant, assurez-vous de la parfaite propreté des surfaces afin d'éviter la contamination des roulements. Lubrifiez les roulements avant d'utiliser l'appareil.



Figure 27 – Engagement de la broche de verrouillage et retrait de l'écrou de retenue de l'arbre de transmission

Changement des galets d'entraînement (sur arbres de transmission indépendants)

1. Avec la broche de verrouillage engagée, serrez-vous du côté 15/16" de la clé plate pour desserrer le boulon de retenue.
2. Tapez sur le boulon de retenue avec un maillet non-métallique pour déloger le galet d'entraînement de l'arbre de transmission.
3. Dévissez le boulon de retenue du galet d'entraînement, puis retirez le galet de l'avant de la rainureuse.
4. Installez le nouveau galet en inversant le processus et en vous assurant qu'il est bien assis sur l'arbre de transmission et que le boulon de retenue est correctement serré.



Figure 28 – Engagement de la broche de verrouillage et desserrage du boulon de retenue

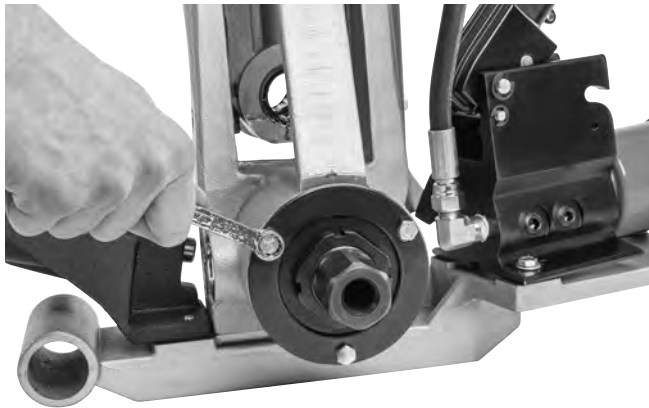


Figure 29 – Retrait des vis de la platine de retenu

Remplacement d'un arbre de transmission monobloc par un arbre de transmission indépendant

1. Retirez l'arbre de transmission monobloc.
2. Retirez les vis de la platine de retenu du roulement arrière, puis la platine elle-même (Figure 29).
3. Retirez le roulement arrière de l'arrière de la 918.
4. Installez l'arbre de transmission indépendant via l'arrière de la 918. Assurez-vous de la parfaite propreté de l'ensemble de ses composants afin d'éviter la contamination des roulements.
5. Réinstallez la platine de retenu du roulement arrière et ses vis.
6. Montez le galet d'entraînement prévu et lubrifiez les roulements avant d'utiliser l'appareil.

Dépannage

ANOMALIE	CAUSE POSSIBLE	REMEDE
La rainure trop étroite ou trop large.	Galets de rainurage et d'entraînement incorrects. ----- Usure du galet de rainurage et/ou du galet d'entraînement. ----- Galets de rainurage et d'entraînement dépareillés.	Monter les galets de rainurage et d'entraînement appropriés. ----- Remplacer le galet de rainurage et/ou le galet d'entraînement. ----- Installez un jeu de galets de rainurage et d'entraînement appareillés.
La rainure n'est pas perpendiculaire à l'axe du tuyau.	Tuyau courbé. ----- Embout de tuyau non d'équerre.	Utiliser un tuyau rectiligne. ----- Equerrer l'embout du tuyau.
Le tuyau ou la rainureuse se déplacent en cours de rainurage.	Tuyau et arbre de transmission désaxés. ----- Tuyau non déporté de 1/2° de l'axe de l'arbre de transmission. ----- Déport de 1/2° insuffisant. ----- Galet d'entraînement encrassé ou usé. ----- Intérieur du tuyau encrassé. ----- Bille de soudage protubérante. ----- Stabilisateur mal utilisé ou incorrectement réglé. ----- Embout de tuyau en faux équerre ou mal débarbé.	Aligner le porte-tubes sur l'axe de l'arbre de transmission. ----- Déporter le tuyau de 1/2° par rapport à l'arbre de transmission. ----- Déporter le tuyau un peu plus. ----- Nettoyer ou remplacer le galet d'entraînement. ----- Nettoyer l'intérieur du tuyau. ----- Meuler la bille sur 2" de l'embout. ----- Régler le stabilisateur. Appuyer sur le tuyau (Figures 19 et 20). ----- Préparer l'embout du tuyau de manière appropriée.
L'embout du tuyau s'évase.	Tuyau et arbre d'entraînement désalignés. ----- Avancement trop rapide du galet de rainurage. ----- ----- ----- Dureté excessive du tuyau. ----- Stabilisateur trop serré.	Régler le porte-tubes pour réaligner le tuyau. ----- Pomper plus lentement comme indiqué au mode d'emploi. ----- ----- ----- Remplacer le tuyau. ----- Régler le stabilisateur.
Le tuyau oscille sur le galet d'entraînement en cours de rainurage.	Tuyau non rectiligne. ----- Embout du tuyau en faux équerre.	Utiliser un tuyau rectiligne. ----- Couper l'embout du tuyau d'équerre.

Dépannage (suite)

PROBLEME	ANOMALIE	REMEDE
Le tuyau bascule d'un côté à l'autre.	Porte-tubes trop près de l'autre extrémité du tuyau. Embout de tuyau aplati ou endommagé. Présence de points/soudages durs. Avancement du galet de rainurage trop lent. Porte-tubes mal positionné. Vitesse de rotation du système d'entraînement en excès de 57 t/min.	Rapprocher le porte-tubes selon les consignes de préparation. Recouper l'embout du tuyau endommagé. Remplacer le tuyau. Faire avancer le galet de rainurage plus rapidement. Repositionnez le porte-tubes. Limiter la vitesse de rotation à 57 t/min.
La rainureuse refuse de rainurer le tuyau.	Parois du tuyau trop épaisses. Tuyau trop dur. Ecrou de réglage mal réglé. Jeu de galets inadapté.	Se reporter au tableau de capacités. Remplacer le tuyau. Régler la profondeur. Monter le jeu de galets approprié.
La rainureuse refuse d'atteindre la profondeur de rainure voulue.	Diamètre maximum de tuyau excédé. Ecrou de profondeur mal réglé. Tuyau d'une dureté excessive.	Utiliser un tuyau de diamètre approprié. Régler l'écrou de profondeur. Changer de tuyau.
Le tuyau dérape sur le galet d'entraînement.	Avancement du galet de rainurage trop lent. Galet d'entraînement encrassé ou usé.	Faire avancer le galet de rainurage plus rapidement. Nettoyer ou remplacer le galet d'entraînement.
Le tuyau a tendance à se soulever ou renverser la rainureuse en arrière.	Porte-tubes mal préparé.	Préparer les porte-tubes de manière approprié.
Le vérin n'avance pas due à la défaillance de la pompe.	Event de pompe ouvert. Manque d'huile hydraulique. Pompe encrassée. Joints usés ou mal assis. Trop d'huile dans le réservoir.	Fermer l'évent. Vérifier le niveau d'huile. Faire réviser la pompe. Faire réviser la pompe. Vérifier le niveau d'huile.
Le levier de pompe est spongieux.	Présence d'air dans le système. Trop d'huile dans le réservoir.	Purger l'air du système hydraulique. Vérifiez le niveau d'huile.
Le vérin ne se déploie que partiellement.	Manque d'huile. Réglage de profondeur incorrect.	Remplir et purger le système. Se reporter aux instructions de réglage de profondeur.

Révisions et réparations

⚠ AVERTISSEMENT

La révision ou réparation inappropriée de cet appareil risque de rendre son utilisation dangereuse.

La rubrique *Entretien* devrait couvrir la majorité des besoins de l'appareil. Tout problème qui ne serait pas adressé dans cette rubrique devra être confié à un réparateur RIDGID agréé. N'utiliser que des éléments ou pièces de rechange RIDGID.

Consultez la section *Coordonnées RIDGID* du présent manuel pour les coordonnées du réparateur RIDGID le plus proche et pour réponse à d'éventuelles questions visant la révision ou réparation de ces produits.

Accessoires

⚠ AVERTISSEMENT

Afin de limiter les risques d'accident, n'utilisez que les accessoires spécifiquement désignés et recommandés pour la rainureuse à galets RIDGID 918, tels que ceux ci-après.

Référence catalogue	Description
48405	Jeu de galets SCH 10 Ø 8 à 12" (SCH 40 Ø 8") avec coffret
48407	Jeu de galets SCH 10 et 40 Ø 1¼ à 1½" avec coffret
48412	Jeu de galets SCH 10 ET 40 Ø 1" et Ø 1¼ à 1½" avec coffret
48417	Jeu de galets pour cuivre Ø 2 à 6"
59992	Stabilisateur Ø 2½ à 12"
76822	Ruban en pouces

76827	Ruban métrique
49662	Boîte à outils
51432	Galet d'entraînement Ø 2 à 6"
49217	Galet de rainurage Ø 2 à 6"
54317	Clé fermée
42360	Support n° 1206

Systèmes de montage

Référence catalogue	Modèle	Description
48292	911	Platine de montage sur système d'entraînement N° 300 (uniquement)
48397	914	Platine de montage sur chariot N° 1224 (uniquement)
48402	915	Platine de montage sur chariot N° 535 (uniquement)
56607	917	Platine de montage sur chariot de 1233 et 300 Compact (uniquement)
56532	—	Jambage de support pour 1233 et 300 Compact

Consultez le catalogue Ridge Tool en ligne à RIDGID.com ou la section *Coordonnées RIDGID* pour obtenir la liste complète des accessoires disponibles pour ces appareils.

Recyclage

Certains composants de cet appareil contiennent des matières précieuses susceptibles d'être recyclées. Des sociétés de recyclage spécialisées peuvent parfois se trouver localement. Recyclez ce type de matériel selon la réglementation en vigueur. Consultez les services de recyclage de votre localité pour de plus amples renseignements.

Tableau I – Epaisseur des parois de tuyau

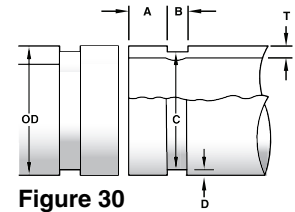
NOTA : Toutes indications en pouces

Ø tuyau	Tuyau ou tube en acier ou aluminium			Tuyau ou tube en acier inoxydable			Tuyau en PVC		
	SCH	Epaisseur de paroi		SCH	Epaisseur de paroi		SCH	Epaisseur de paroi	
		Mini	Maxi		Mini	Maxi		Mini	Maxi
1	5, 10, 40	0.065	0.133	5, 10	0.065	0.109	40	0.133	0.133
1¼	5, 10, 40	0.065	0.140	5, 10, 40	0.065	0.140	40	0.140	0.140
1½	5, 10, 40	0.065	0.145	5, 10, 40	0.065	0.145	40, 80	0.145	0.200
2	5, 10, 40	0.065	0.154	5, 10, 40	0.065	0.154	40, 80	0.154	0.218
2½	5, 10, 40	0.083	0.203	5, 10	0.083	0.188	40, 80	0.203	0.276
3	5, 10, 40	0.083	0.216	5, 10	0.083	0.188	40, 80	0.216	0.300
3½	5, 10, 40	0.083	0.226	5, 10	0.083	0.188	40	0.226	0.226
4	5, 10, 40	0.083	0.237	5, 10	0.083	0.188	40	0.237	0.237
5	5, 10, 40	0.109	0.258	5, 10	0.109	0.188	40	0.258	0.258
6	5, 10, 40	0.109	0.280	5, 10	0.109	0.188	40	0.280	0.280
8	5, 10, 40*	0.109	0.322	5, 10	0.109	0.148	40	0.322	0.322
10	5, 10	0.134	0.165	5, 10	0.134	0.165	—	—	—
12	5, 10	0.165	0.180	5, 10	0.165	0.180	—	—	—

* Ne pas utiliser pour le rainurage des tuyaux acier SCH 40 Ø 8" d'une dureté supérieure à 150 BHN.

Tableau II – Spécifications de rainurage normalisées⁽¹⁾

NOTA : Toutes indications en pouces



Ø tuyau nominal	Ø tuyau		T Ep. paroi mini	A Fond de joint +.015/- .030	B Largeur de rainure +.030/- .015	C Ø en fond de rainure		D Prof. Nominale de rainure ⁽²⁾
	Ø ext.	Tol.				Ø ext.	Tol.	
1	1.315	+ .013 - .013	0.065	0.625	0.281	1.190	+ .000	0.063
1¼	1.660	+ .016 - .016	0.065	0.625	0.281	1.535	+ .000 - .015	0.063
1½	1.900	+ .019 - .019	0.065	0.625	0.281	1.535	+ .000 - .015	0.063
2	2.375	+ .024 - .016	0.065	0.625	0.344	2.250	+ .000 - .015	0.063
2½	2.875	+ .029 - .016	0.083	0.625	0.344	2.720	+ .000 - .015	0.078
3	3.50	+ .035 - .031	0.083	0.625	0.344	3.344	+ .000 - .015	0.078
3½	4.00	+ .040 - .031	0.083	0.625	0.344	3.834	+ .000 - .020	0.083
4	4.50	+ .045 .031	0.083	0.625	0.344	4.334	+ .000 - .015	0.083
5	5.563	+ .056 .031	0.109	0.625	0.344	5.395	+ .000 - .015	0.084
6	6.625	+ .063 - .031	0.109	0.625	0.344	6.455	+ .000 - .015	0.085
8	8.625	+ .063 - .031	0.109	0.750	0.469	8.441	+ .000 - .020	0.092
10	10.75	+ .063 - .031	0.134	0.750	0.469	10.562	+ .000 - .025	0.094
12	12.75	+ .063 - .031	0.156	0.750	0.469	12.531	+ .000 - .025	0.110

(1) Selon la norme AWWA C606-15

(2) Les profondeurs de rainure nominales indiquées ne sont données qu'à titre indicatif. N'utilisez pas ces indications pour déterminer la conformité d'un rainurage.
NOTA : Suivez les consignes du fabricant des raccords en ce qui concerne le maximum d'évasement permis.

Tableau III – Spécifications des galets de rainurage pour cuivre

NOTA : Toutes indications en pouces

Ø nominal en pouces	Ø extérieur du tube		Joint d'étanchéité A ±0.03	B Largeur de rainure +.03 / -.000	C Ø en fond de rainure +.000 / -.020	D Profondeur nominale du rainurage ⁽²⁾	T Ep. de paroi mini ⁽³⁾	Ø d'évasement maxi.
	Base	Tolérance						
2	2.125	±0.002	0.610	0.300	2.029	0.048	0.064	2.220
2½	2.625	±0.002	0.610	0.300	2.525	0.050	0.065	2.720
3	3.125	±0.002	0.610	0.300	3.025	0.050	0.045	3.220
4	4.125	±0.002	0.610	0.300	4.019	0.053	0.058	4.220
5	5.125	±0.002	0.610	0.300	5.019	0.053	0.072	5.220
6	6.125	±0.002	0.610	0.300	5.999	0.063	0.083	6.220

(1) Tuyaux en cuivre selon les normes ASTM B88 et ASTM B306

(2) Les profondeurs de rainure nominales indiquées ne sont données qu'à titre indicatif. N'utilisez pas ces indications pour déterminer la conformité d'un rainurage.

(3) Epaisseurs de paroi pour tuyaux d'évacuation, d'assainissement et de ventilation selon DWV – ASTM B306.

Ranuradora a rodillos

Ranuradora a rodillos 918



⚠ ADVERTENCIA!

Antes de utilizar este aparato, lea detenidamente este Manual del Operario. Pueden ocurrir descargas eléctricas, incendios y/o graves lesiones si no se entienden y siguen las instrucciones de este manual.


Índice de materias


Simbología de seguridad	49
Reglas de seguridad general de las máquinas eléctricas	
Seguridad en la zona de trabajo	49
Seguridad personal	49
Uso y cuidado de las máquinas eléctricas	50
Servicio	50
Información de seguridad específica	
Seguridad de la ranuradora a rodillos	50
Información de contacto RIDGID	51
Descripción	51
Especificaciones	52
Equipo estándar	53
Montaje	53
Montaje de la ranuradora 918 a la base de diversas máquinas	53
Inspección previa a la operación	54
Instalación de la ranuradora y la zona de trabajo	55
Instalación de la ranuradora 918 en un accionamiento motorizado 300	55
Instalación de la ranuradora 918 en roscadoras Compact 300 o 1233	56
Instalación de la ranuradora 918 en roscadoras 535 o 1224	57
Operación	58
Preparación del tubo	59
Avance y retracción del rodillo ranurador	59
Colocación del tubo en la ranuradora a rodillos	59
Selección y ajuste del diámetro de la ranura	61
Operación del estabilizador	62
Operación de ranurado	62
Consejos para ranurar correctamente	63
Inspección y medición de la ranura	64
Preparación de la ranuradora para su transporte	64
Almacenamiento	65
Instrucciones de mantenimiento	
Limpieza	65
Lubricación	65
Nivel del líquido hidráulico	65
Extracción e instalación de juegos de rodillos	65
Resolución de problemas	68-69
Servicio y reparaciones	69
Equipo opcional	70
Eliminación	70
Tabla I, Espesor de la pared del tubo	71
Tabla II, Especificaciones estándar del ranurado a rodillos	71
Tabla III, Especificaciones para ranurar tubos de cobre	72
Garantía de por vida	Carátula posterior


*Traducción del manual original


Simbología de seguridad

En este manual del operario y en el producto mismo encontrará símbolos de seguridad y palabras de advertencia que comunican importante información de seguridad. Para su mejor comprensión, en esta sección se describe el significado de estas palabras y símbolos de advertencia.


 Este es el símbolo de una alerta de seguridad. Sirve para prevenir al operario de las lesiones corporales que podría sufrir. Obedezca todas las instrucciones de seguridad que acompañan a este símbolo para evitar posibles lesiones o muerte.


 Este símbolo de PELIGRO advierte de una situación de peligro que, si no se evita, produciría la muerte o lesiones graves.


 Este símbolo de ADVERTENCIA avisa de una situación de peligro que, si no se evita, podría producir la muerte o lesiones graves.


 Este símbolo de CUIDADO advierte de una situación de peligro que, si no se evita, podría producir lesiones leves o moderadas.


 Un AVISO indica información relacionada con la protección de un bien o propiedad.


 Este símbolo significa que es necesario leer detenidamente su manual del operario antes de usar el equipo. El manual del operario contiene información importante acerca del funcionamiento apropiado y seguro del equipo.


 Este símbolo indica que cuando utilice este equipo siempre debe usar gafas o anteojos de seguridad con viseras laterales, con el fin de reducir el riesgo de lesiones a los ojos.

 Este símbolo indica que la máquina podría volcarse, con riesgo de causar lesiones por golpes o aplastamiento.


 Este símbolo indica que existe el riesgo de que los dedos o las manos se aplasten entre los rodillos de ranurado.

 Este símbolo indica que el tubo a ranurar debe tener una longitud de por lo menos 8 pulgadas (20 cm) para reducir el riesgo de lesiones.

 Este símbolo indica que no debe meter las manos dentro del tubo a ranurar, para reducir el riesgo de enmarañamiento, cortes, aplastamiento y otras lesiones.

 Este símbolo indica que siempre debe usar un interruptor de pie cuando utilice la máquina, para reducir el riesgo de lesiones.

Reglas de seguridad general de las máquinas eléctricas

 **Lea todas las advertencias de seguridad, instrucciones, ilustraciones y especificaciones que se incluyen con esta máquina eléctrica. Si no se respetan todas las instrucciones que siguen, podrían producirse descargas eléctricas, incendios y/o lesiones graves.**

¡GUARDE TODAS LAS ADVERTENCIAS E INSTRUCCIONES PARA POSTERIOR CONSULTA!

El término "máquina eléctrica" en las advertencias se refiere a máquinas enchufadas en un tomacorriente (máquinas con cordón) o a máquinas que funcionan con baterías (máquinas sin cordón).

Seguridad en la zona de trabajo

- **Mantenga su zona de trabajo limpia y bien iluminada.** Los lugares desordenados u oscuros pueden provocar accidentes.
- **No haga funcionar las máquinas eléctricas en ambientes explosivos, es decir, en presencia de lí-**

quidos, gases o polvo inflamables. Las máquinas eléctricas pueden generar chispas que podrían encender los gases o el polvo.

- **Mientras haga funcionar una máquina eléctrica, mantenga alejados a los niños y espectadores.** Cualquier distracción podría hacerle perder el control del aparato.

Seguridad personal

- **Manténgase alerta, preste atención a lo que está haciendo y use el sentido común cuando haga funcionar una máquina eléctrica. No use ninguna máquina eléctrica si usted está cansado o se encuentra bajo la influencia de drogas, alcohol o medicamentos.** Tan solo un breve descuido durante el funcionamiento de una máquina eléctrica puede resultar en lesiones graves.
- **Use equipo de protección personal. Siempre use protección para los ojos.** Según corresponda para cada situación, colóquese equipo de protección como mascarilla para el polvo, calzado de seguridad antideslizante, casco o protección para los oídos, con el fin de reducir las lesiones personales.

- **Evite echar a andar un aparato sin querer. Asegure que el interruptor esté en la posición de APAGADO antes de enchufar el aparato a la corriente eléctrica o de conectarlo a sus baterías, de tomarlo o acarrearlo.** Se producen accidentes cuando se transportan máquinas eléctricas con el dedo puesto sobre su interruptor, o se las enchufa o conecta a la fuente de corriente con el interruptor en la posición de ENCENDIDO.
- **Extraiga cualquier llave de ajuste que esté acoplada a la máquina eléctrica antes de encenderla.** Una llave acoplada a una parte giratoria de la máquina eléctrica puede producir lesiones personales.
- **No trate de extender el cuerpo para alcanzar algo. Tenga los pies bien plantados y mantenga el equilibrio en todo momento.** Esto permite un mejor control de la máquina eléctrica en situaciones inesperadas.
- **Vístase adecuadamente. No lleve ropa suelta ni joyas. Mantenga su cabello y ropa apartados de las piezas en movimiento.** La ropa suelta, las joyas o el pelo largo pueden engancharse en las piezas móviles.
- **No deje que su familiaridad con las herramientas le haga abandonar los principios de seguridad de las máquinas.** Un descuido puede causar una lesión grave en menos de un segundo.

Uso y cuidado de las máquinas eléctricas

- **No fuerce los aparatos eléctricos. Use el equipo correcto para la tarea que está por realizar.** Con la máquina eléctrica adecuada se hará mejor el trabajo y en forma más segura en la clasificación nominal para la cual fue diseñada.
- **Si el interruptor del aparato no lo enciende o no lo apaga, no utilice el aparato.** Cualquier máquina eléctrica que no se pueda controlar mediante su interruptor es un peligro y debe repararse.
- **Antes de hacer ajustes, cambiar accesorios o de almacenar el aparato, desenchúfelo y/o extraígale las baterías, si es posible.** Estas medidas de seguridad preventiva reducen el riesgo de poner la máquina eléctrica en marcha involuntariamente.
- **Almacene las máquinas eléctricas que no estén en uso fuera del alcance de los niños y no permita que las hagan funcionar personas que no estén familiarizadas con este aparato o no hayan leído estas instrucciones de operación.** Las máquinas eléctricas son peligrosas en manos de personas no capacitadas.
- **Haga la mantención necesaria de las máquinas eléctricas. Revise el equipo para verificar que las piezas móviles no estén mal alineadas o agarro-**

tadas. Verifique que no tenga partes rotas ni presente alguna otra condición que podría afectar su funcionamiento. Si un aparato está dañado, hágalo reparar antes de utilizarlo. Muchos accidentes se deben a máquinas eléctricas que no han recibido un mantenimiento adecuado.

- **Utilice la máquina eléctrica, accesorios y barrenas, etc., únicamente conforme a estas instrucciones, tomando en cuenta las condiciones de trabajo y la tarea que debe realizar.** El uso de la máquina eléctrica para trabajos diferentes a los que le corresponden podría producir una situación peligrosa.
- **Mantenga los mangos y superficies de agarre secos, limpios y exentos de grasa y aceite.** Si están resbalosos los mangos y superficies de agarre, no podrá trabajar con seguridad ni controlar la máquina en situaciones inesperadas.

Servicio

- **Encomiende el servicio de la máquina eléctrica únicamente a técnicos calificados que usen repuestos idénticos a las piezas originales.** Así se garantiza la continua seguridad de la máquina eléctrica.

Información de seguridad específica

⚠ ADVERTENCIA

Esta sección contiene información de seguridad importante que es específica para esta herramienta. Antes de utilizar la ranuradora a rodillos 918, lea estas instrucciones detenidamente para reducir el riesgo de choque de electricidad o de otras lesiones graves.

¡GUARDE TODAS LAS ADVERTENCIAS E INSTRUCCIONES PARA POSTERIOR CONSULTA!

Mantenga este manual junto con la máquina, para que lo use el operario.

Seguridad de la ranuradora a rodillos

- **Mantenga las manos alejadas de los rodillos ranuradores.** No use guantes sueltos. Los dedos pueden quedar aplastados entre los rodillos ranuradores, entre un rodillo y el tubo o entre el tubo y la rueda del estabilizador.
- **Mantenga las manos alejadas de los extremos del tubo. No meta las manos dentro del tubo. No toque la ranura durante el funcionamiento.** Se podría enganchar y cortar en una rebaba o borde filoso. Se le pueden aplastar los dedos entre los rodillos ranuradores o entre un rodillo ranurador y el tubo.

- **Mantenga las cubiertas protectoras en su sitio. No haga funcionar la ranuradora si se le ha sacado la cubierta.** Si los rodillos ranuradores quedan expuestos pueden provocar enganches y lesiones graves.
 - **Solamente ranure tubos que tengan una longitud de 8 pulgadas (20 cm) o más.** Si intenta ranurar un tubo más corto que lo especificado, puede enmarañarse y sufrir lesiones por aplastamiento.
 - **No use ropa suelta cuando haga funcionar la máquina. Mantenga abrochadas las mangas y chaquetas. No estire el cuerpo por encima de la máquina.** La ropa podría quedar enganchada en la máquina o el tubo y producir un enmarañamiento.
 - **No use esta ranuradora a rodillos con un accionamiento motorizado o una máquina roscadora que no tengan un interruptor de pie. Nunca debe bloquear el interruptor de pie en posición de ENCENDIDO de manera que no controle la máquina.** Un interruptor de pie mejora el control al permitirle apagar el motor de la máquina si retira el pie del interruptor. Si se produce un enmarañamiento y el motor sigue andando, el operario será jalado hacia la máquina. Esta máquina tiene un elevado par de torsión y puede hacer que la ropa se le tuerza alrededor de un brazo u otra parte de cuerpo, con fuerza suficiente para aplastar o fracturar los huesos o causar lesiones por golpes o lesiones de otro tipo.
 - **Asegure la estabilidad de la ranuradora a rodillos, el tubo, los soportes y la máquina.** Asegure que la ranuradora a rodillos esté correctamente instalada y fija. Así ayuda a prevenir el volcamiento del equipo y el tubo. **Apoye el tubo correctamente**, para que no se vuelquen el tubo y el equipo.
 - **Prepare y manipule el tubo correctamente.** Se podría enganchar y cortar si el tubo tiene rebabas y bordes filosos.
 - **Una sola persona debe controlar la tarea, el funcionamiento de la máquina y el interruptor de pie.** Cuando la máquina esté en marcha, solamente el operario debe estar en la zona de trabajo. Esto ayuda a reducir el riesgo de lesiones.
 - **Limite el acceso o coloque barricadas en la zona de permitiendo un radio despejado de por lo menos un metro (3 pies) alrededor de la pieza trabajada.** La limitación al acceso o la colocación de una barricada alrededor de la pieza trabajada reduce el riesgo de enmarañamientos.
 - **Use solamente accionamientos motorizados o máquinas roscadoras que funcionen a menos de 58 rpm.** Las máquinas que funcionan a mayor velocidad aumentan el riesgo de lesiones.
 - **Cuando instale y use la ranuradora a rodillos, siempre debe llevar puesto el equipo de protección personal apropiado.** El equipo de protección personal apropiado siempre incluye protección para los ojos y podría incluir guantes de cuero apretados y calzado con puntera de acero.
 - **Use la ranuradora a rodillos solamente para ranurar tubos del tamaño y tipo recomendado de acuerdo con estas instrucciones.** Si la ranuradora a rodillos se usa o se modifica para otras aplicaciones, podría aumentar el riesgo de lesiones.
 - **Antes de hacer funcionar la ranuradora a rodillos, lea y entienda los siguientes materiales:**
 - Este manual del operario.
 - El manual del operario correspondiente al accionamiento motorizado o a la máquina roscadora.
 - Las instrucciones de instalación del fabricante de los acoplamientos.
 - Las instrucciones para cualquier otro material o equipo usados con este aparato.
- Si no se respetan todas las instrucciones y advertencias, podría producirse daño a la propiedad y/o lesiones graves.

Información de contacto RIDGID

Si tiene alguna pregunta acerca de este producto RIDGID®:

- Comuníquese con el distribuidor RIDGID en su localidad.
- Visite RIDGID.com para averiguar dónde se encuentra su contacto RIDGID más cercano.
- Comuníquese con el Departamento de Servicio Técnico de Ridge Tool en rttechservices@emerson.com, o llame por teléfono desde EE. UU. o Canadá al (800) 519-3456.

Descripción

La ranuradora a rodillos 918 de RIDGID® está diseñada para formar ranuras en tubos de acero, acero inoxidable, aluminio, PVC y cobre. Las ranuras se forman a medida que la fuerza hidráulica va metiendo el rodillo en la superficie del tubo, que está apoyado contra el rodillo de accionamiento.

La ranuradora a rodillos 918 típicamente incluye dos juegos de rodillos ranuradores y dos juegos de rodillos de accionamiento para ranurar los siguientes tubos:

- Tubos de acero de espesor 10 y 40 y de 2" a 6"
- Tubos de acero de espesor 10 y de 8" a 12", y tubos de acero de espesor 40 y de 8"

En las tablas del apéndice se indican otros materiales que se pueden ranurar. Se exigen otros juegos de ranuradoras y de ejes de mando para tubos de otros tamaños y para tubos de cobre.

Se usa una bomba hidráulica manual de dos etapas para ir introduciendo el rodillo ranurador en la superficie del tubo para labrar la ranura. Se incluye una tuerca de ajuste para controlar el diámetro en la ranura.

Se proporciona un estabilizador ajustable para ayudar a mantener el correcto recorrido y el control del tubo cuando se esté ranurando, especialmente cuando la longitud del tubo se acerque al mínimo de 8 pulgadas.

El accionamiento de la ranuradora puede lograrse con diversas máquinas de RIDGID. Se exigen distintos kits de montaje para cada máquina.

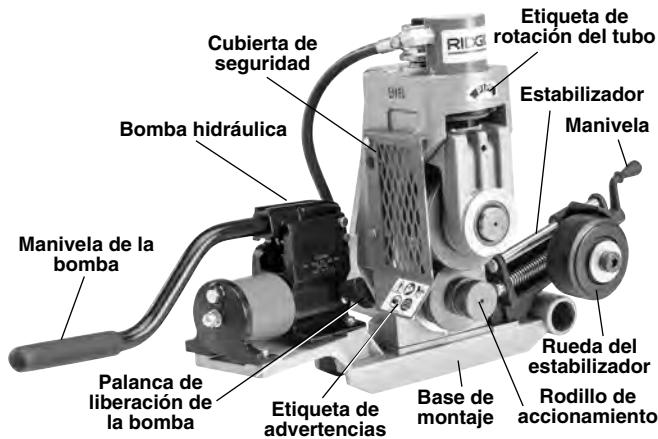


Figura 1 A – Ranuradora a rodillos 918

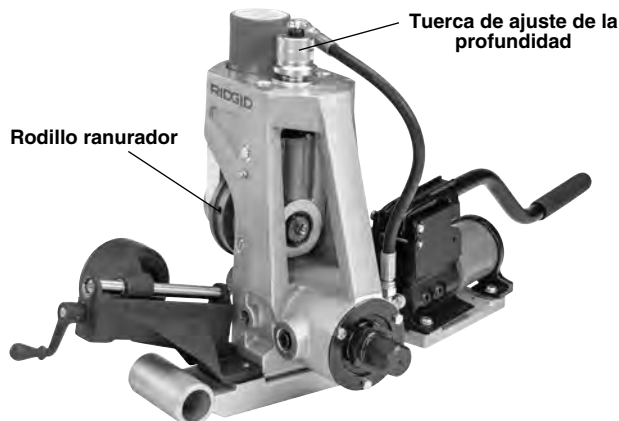


Figura 1 B – Ranuradora a rodillos 918

Especificaciones

Material del tuboAcero, acero inoxidable, aluminio y PVC

Capacidad

Juegos de rodillos ranuradores estándarTubos de acero de espesor 10 y 40, de 2" a 6"

Juegos de rodillos ranuradores opcionalesTubos de acero de espesor 10 y de 8" a 12"; de espesor 40*, de 8"
Tubos de acero de espesor 10 y 40, de 1¼" a 1½"
Tubos de cobre de 2" a 6" (tipo K, L, M y DWV)
Consulte en las Tablas I, II y III otros materiales y espesores de pared.

Ajuste de profundidad ...Tuerca de ajuste de profundidad

AccionamientoBomba hidráulica manual de dos etapas

EstabilizadorDe ajuste manual, para tubos de 2½" a 12"

Bases de montaje disponiblesAccionamiento motorizado 300 de RIDGID (300 PD)
Máquina roscadora 1224 de RIDGID
Máquina roscadora 535A/M de RIDGID
Máquina roscadora 1223/300 Compact de RIDGID

Peso (918, base 300 PD, estabilizador)82 libras (37 kg)

Dimensiones (918, base 300 PD, estabilizador)35" x 14" x 17,5"
(89 cm x 36 cm x 44 cm)

*No usar para ranurar tubos de acero de espesor 40 y de 8" de una dureza superior a 150 BHN, ya que podrían labrarse ranuras mal formadas o que no cumplen con las especificaciones.

AVISO Cuando la ranuradora a rodillos 918 se usa correctamente, está diseñada para labrar ranuras en tubos de 1" a 12" y producir ranuras cuyas dimensiones se ajustan a las especificaciones de AWWA C606-15. Si este equipo no se usa correctamente, puede labrar ranuras que no se ajustan a las especificaciones y dañar el tubo y el equipo.

La selección apropiada de los materiales y de los métodos de unión es responsabilidad del diseñador del sistema y/o del instalador. Antes de intentar una instalación, es necesario completar una cuidadosa evaluación del medio ambiente de servicio, incluyendo el entorno químico y la temperatura de servicio. Si no es apropiada la selección de los materiales y métodos, el sistema podría fallar.

El acero inoxidable y otros materiales resistentes a la corrosión se pueden contaminar durante la instalación, unión y conformado. Dicha contaminación podría causar corrosión y una falla prematura. Antes de intentar alguna instalación, es necesario completar una cuidadosa evaluación de los materiales y métodos para las condiciones de servicio específicas, incluyendo la naturaleza química y la temperatura.

Equipo estándar

Consulte el catálogo RIDGID para conseguir detalles sobre los accesorios suministrados con máquinas de número de catálogo específico.

Montaje

⚠ ADVERTENCIA

Siga los procedimientos a continuación para el montaje correcto, con el fin de reducir el riesgo de lesiones graves durante el uso.

Montaje de la ranuradora 918 a la base de diversas máquinas

1. Monte la máquina 918 sobre una base apropiada, alineándola con agujeros de $\frac{1}{2}$ ". Cuando instale el aparato sobre la base 1224, coloque la placa espaciadora entre la base y la 918. Introduzca dos pernos de $\frac{1}{2}$ " desde la parte inferior de la base y apriételos bien con una llave de $\frac{3}{4}$ ".
2. Monte la bomba hidráulica sobre la base y fíjela con cuatro pernos de $\frac{1}{4}$ ". Apriételos bien con una llave de $\frac{7}{16}$ ". Para la base 1224, es necesario montar el soporte de la bomba sobre la base y luego conectar la bomba al soporte.
3. Monte el estabilizador sobre la base. Introduzca dos tornillos de $\frac{3}{8}$ " a través de la base y apriételos bien con una llave hexagonal de $\frac{5}{16}$ ".
4. Para las roscadoras 1233 o 300 Compact, coloque la pieza de anclaje en la parte inferior de la base, sin apretar.
5. *Vea los detalles en las siguientes figuras.*

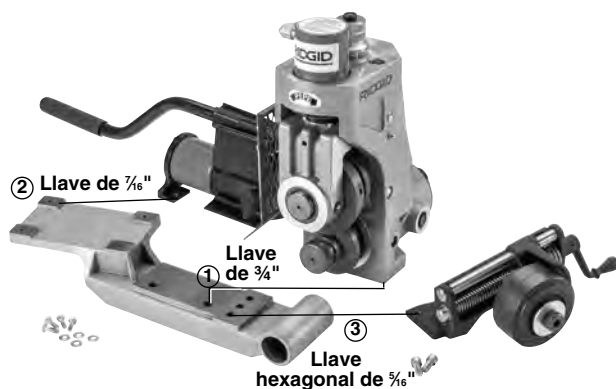


Figura 2 – Montaje de la ranuradora 918 sobre la base del accionamiento motorizado 300

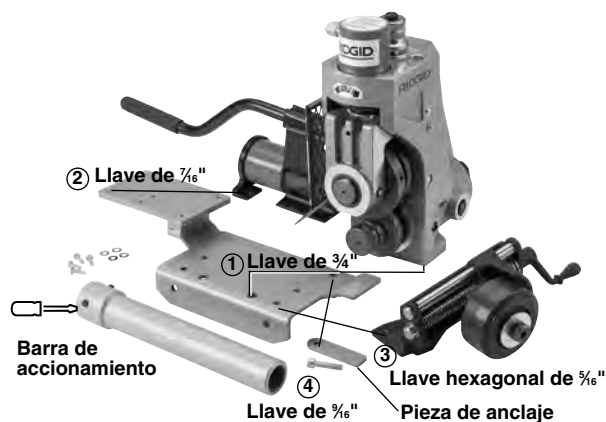


Figura 3 – Montaje de la ranuradora 918 sobre la base de la roscadora Compact 300 o 1233

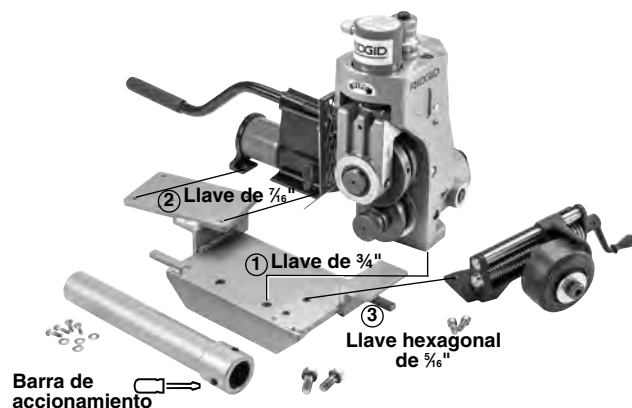


Figura 4 – Montaje de la ranuradora 918 sobre la base de la roscadora 535

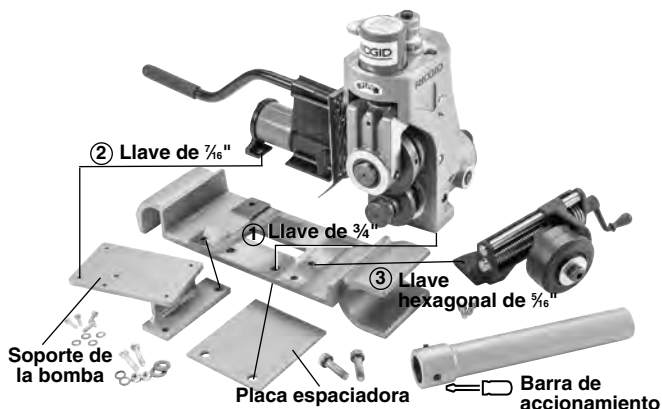


Figura 5 – Montaje de la ranuradora 918 sobre la base de la roscadora 1224

Inspección previa a la operación

⚠ ADVERTENCIA



No utilice esta ranuradora a rodillos si el accionamiento motorizado o la roscadora no tienen un interruptor de pie.

Antes de cada uso, revise la ranuradora a rodillos y corrija cualquier problema existente con el fin de reducir el riesgo de lesiones graves por aplastamiento u otras causas, y para impedir que se dañe la ranuradora.

1. Si la ranuradora está instalada en una máquina, coloque el conmutador de la máquina en posición APAGADO y desenchúfela.
2. Limpie la ranuradora a rodillos para quitarle el aceite, grasa o suciedad, incluyendo la manivela de la bomba y la manivela del estabilizador. Esto facilita la inspección y ayuda a prevenir que la ranuradora o el control se le resbalen de las manos.
3. Inspeccione la ranuradora a rodillos para verificar lo siguiente:
 - Está correctamente ensamblada, completa y bien mantenida.
 - No tiene partes rotas, desgastadas, faltantes, mal alineadas o agarradas.
 - No tiene fugas de líquido hidráulico. Si la ranuradora está manchada con aceite, podría haber una fuga de líquido hidráulico.

- La cubierta de seguridad está presente y en buenas condiciones (vea la Figura 1). No haga funcionar la ranuradora a rodillos si no tiene colocada la cubierta.
- La etiqueta de advertencias está presente y se puede leer. Vea la Figura 6.
- El rodillo ranurador y el rodillo de accionamiento están en buenas condiciones. Si la superficie moleteada del rodillo de accionamiento está sucia, límpiela con una escobilla de alambre. La suciedad y el desgaste de la superficie moleteada pueden hacer que el tubo se resbale y cause problemas con el recorrido del ranurado.
- La rueda del estabilizador está en buenas condiciones. Reemplace la rueda si fuera necesario.
- No existen condiciones que impiden el funcionamiento normal y seguro.
- Si encuentra algún problema, no use la ranuradora a rodillos hasta que se hayan reparado los problemas.



Figura 6 – Etiqueta de advertencias

4. Inspeccione todos los demás equipos utilizados y haga la mantenimiento necesaria, conforme a sus instrucciones específicas, para asegurar que funcionen correctamente. Confirme que el accionamiento motorizado o la roscadora tienen un interruptor de pie en buenas condiciones.

Instalación de la ranuradora y la zona de trabajo

⚠ ADVERTENCIA



Instale la ranuradora a rodillos y la zona de trabajo de acuerdo con estos procedimientos, para reducir el riesgo de lesiones por volcamiento de la máquina, aplastamiento y otras causas, y para evitar que la máquina se dañe.

Esté consciente del peso del equipo. Use métodos apropiados para levantar o trasladar el equipo.

Fije la ranuradora a rodillos a un accionamiento motorizado o una roscadora. El tubo que desee roscar debe estar bien apoyado. Esto reduce el riesgo de que el tubo se caiga, la máquina se vuelque y se produzcan lesiones graves.

1. Seleccione una zona de trabajo con las siguientes características:
 - Hay buena iluminación.
 - Hay un lugar despejado, limpio, estable y seco para todos los equipos y el operario. Si hay aceite presente, límpielo.
2. Inspeccione el tubo que va a ranurar y determine cuál es la herramienta correcta para la tarea. Vea la sección *Especificaciones*. Puede encontrar equipo de ranurado para otras aplicaciones en el catálogo de RIDGID en línea en RIDGID.com. Esta ranuradora debe usarse solamente para tubos rectos. No ranure tubos que tengan protuberancias o acoplamientos como codos o conexiones en T. Esto aumenta el riesgo de enmarañamiento.
3. Confirme que todos los equipos que usará se han inspeccionado y montado correctamente. Confirme que en la ranuradora se ha instalado el juego de rodillos ranuradores que corresponde para la aplicación.

AVISO El uso de juegos de rodillos (rodillo ranurador y rodillo de accionamiento) para tubos de acero al carbón y tubos de acero inoxidable puede contaminar el material de acero inoxidable. Para prevenir la contaminación ferrosa del acero inoxidable, use juegos de rodillos especialmente dedicados a los tubos de acero inoxidable. Otra alternativa es usar una escobilla de alambre de acero inoxidable para limpiar a fondo el juego de rodillos cuando cambia de un material a otro.

4. En el lugar de trabajo plano y nivelado, instale el accionamiento motorizado o la roscadora de acuerdo

con sus respectivas instrucciones. Confirme que el conmutador REV/O-OFF/FOR se encuentre en la posición de apagado OFF.

Si está usando la ranuradora 918 con una roscadora 535 A (mandril automático), se recomienda configurar la máquina para que las mordazas del mandril agarren el tubo durante la rotación REV (reversa) de la roscadora. Esto permite usar el estabilizador durante el ranurado. Vea la sección *Roscado a la izquierda* en el *Manual del mandril automático 535* para información sobre la configuración de las mordazas del mandril para que agarren el tubo durante la rotación REV de la máquina.

5. Instalación de la ranuradora 918 en un accionamiento motorizado o roscadora: *vea la sección de instalación correspondiente al equipo respectivo*. Confirme que el equipo esté bien fijo y estable.
6. Coloque el interruptor de pie en la posición correcta para su funcionamiento, como se muestra en la *Figura 18*.
7. Una vez que la ranuradora 918 esté correctamente instalada, con las manos secas enchufe la máquina en un tomacorriente apropiado según sus instrucciones.

Instalación de la ranuradora 918 en un accionamiento motorizado 300

1. Confirme que la roscadora y la base están correctamente montadas.
2. Extraiga el carro y otros accesorios de los brazos de soporte del accionamiento motorizado 300. Confirme que los brazos de soporte estén completamente desplegados y en posición fija.
3. Abra completamente el mandril delantero del accionamiento motorizado.
4. Deslice la apertura en la base (del lado del estabilizador) sobre el brazo de soporte trasero y baje la bomba sobre el brazo de soporte delantero (*Figura 7 A*).
5. Desplace la base hacia el accionamiento motorizado 300.
6. El eje de mando debe estar centrado en el mandril de la máquina. Las partes planas del eje de mando deben alinearse con las mordazas del mandril.
7. Apriete bien el mandril delantero sobre las partes planas del eje de mando. *Vea la Figura 7 B*.

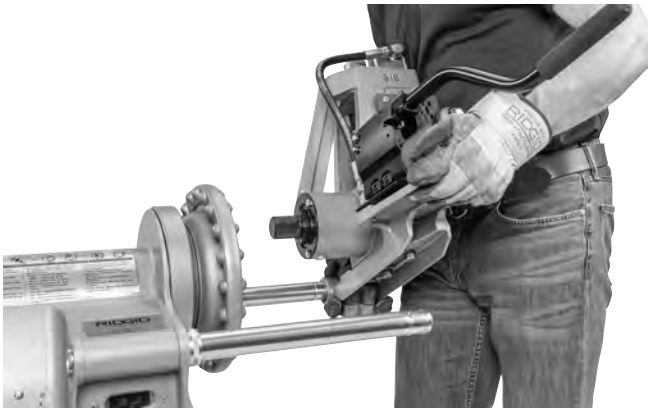


Figura 7 A – Instalación de la ranuradora 918 sobre el accionamiento motorizado 300



Figura 7 B – Conexión firme del eje de mando en el mandril

Instalación de la ranuradora 918 en roscadoras Compact 300 o 1233

Si la roscadora Compact 300 o la roscadora 1233 están montadas con la base sobre patas tubulares rectas, no las use con la ranuradora a rodillos 918 porque la instalación no tendrá la estabilidad suficiente para resistir las fuerzas del ranurado. Para este uso se dispone de patas con mejor estabilidad (No. Cat. 56532). Vea en la *Figura 8 A* la correcta orientación de las patas. Los pernos de 10 mm atraviesan los agujeros en las patas para lograr la correcta orientación de las patas.

La ranuradora a rodillos 918 no se puede utilizar con máquinas montadas sobre el soporte plegable 250, porque

la manilla del soporte interfiere con el tubo que se desea ranurar. La ranuradora 918 con una base apropiada se puede usar con soportes 100 A, 150 A y 200 A.

1. Confirme que la ranuradora 918 esté bien instalada sobre la base que corresponda para la roscadora.
2. Coloque el carro de la máquina hacia el mandril delantero y levante los accesorios del carro para alejarlos del operario. Coloque el escariador dentro del cabezal roscador para fijarlo y reducir el riesgo de contacto.
3. Abra completamente el mandril delantero de la roscadora. Introduzca la barra de accionamiento dentro del mandril de la roscadora pero todavía no la fije.
4. Coloque la ranura abierta (del lado de la bomba) de la base sobre el riel delantero del carro (*Figura 8 B*). Baje el estabilizador hacia el riel trasero del carro.
5. Coloque la barra de accionamiento sobre las partes planas del eje de mando. Alinee las partes planas del eje de mando con los tornillos de montaje en la barra de accionamiento y apriételes bien.
6. Estando la ranuradora 918 en el extremo de la roscadora, apriete bien el mandril delantero de la roscadora sobre la barra de accionamiento. *Vea la Figura 8 C.*
7. Coloque la pieza de anclaje debajo del riel trasero del carro y fíjela. *Vea la Figura 8 D.*



Figura 8 A – Patas tubulares (No. Cat. 56532) en posición correcta



Figura 8 B – Instalación de la ranuradora 918 en la roscadora 1233

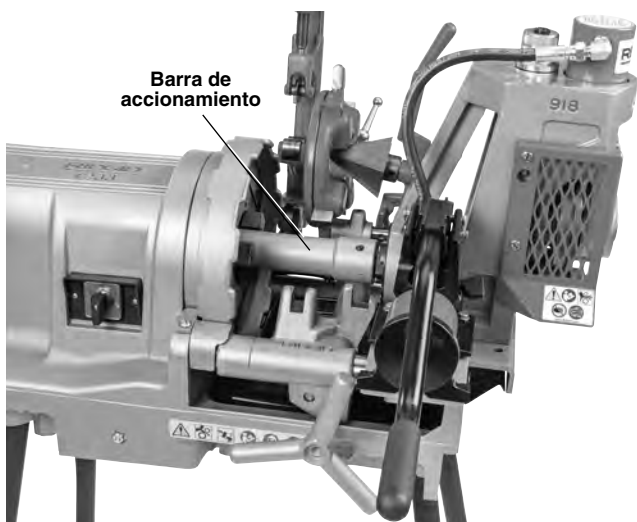


Figura 8 C – Instalación de la barra de accionamiento

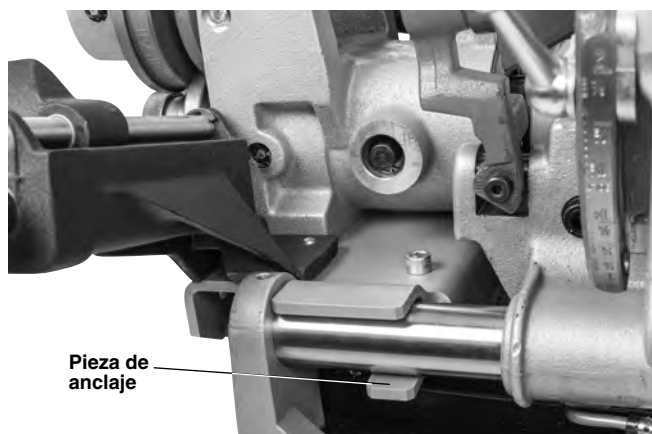


Figura 8 D – Instalación de la pieza de anclaje

Instalación de la ranuradora 918 en roscadoras 535 o 1224

Por lo general, la ranuradora 918 se puede instalar en roscadoras 535 y 1224 con la barra de accionamiento ya colocada, pero también se puede instalar por separado, como se hace con las roscadoras Compact 300 y 1233 (vea la sección correspondiente).

Si usa la ranuradora 918 con la roscadora 535 de mandril automático, instale la roscadora de manera que las mordazas del mandril agarren el tubo durante la rotación REV de la roscadora, como se explica en la sección *Roscado a la izquierda* del manual del operario de la roscadora 535.

1. Confirme que la ranuradora 918 esté correctamente instalada sobre la base que le corresponde a la roscadora utilizada. Fije bien la barra de accionamiento al eje de mando.
2. Coloque el carro de la máquina hacia el mandril delantero y levante los accesorios del carro para alejarlos del operario. Coloque el escariador dentro del cabezal roscador para fijarlo y reducir el riesgo de contacto.
3. Abra completamente el mandril delantero de la roscadora.
4. Estando el extremo de la barra de accionamiento dentro del mandril de la roscadora, coloque la ranura abierta de la base (del lado del estabilizador) sobre el riel trasero del carro y baje la bomba sobre el riel delantero del carro. Vea la Figura 9.

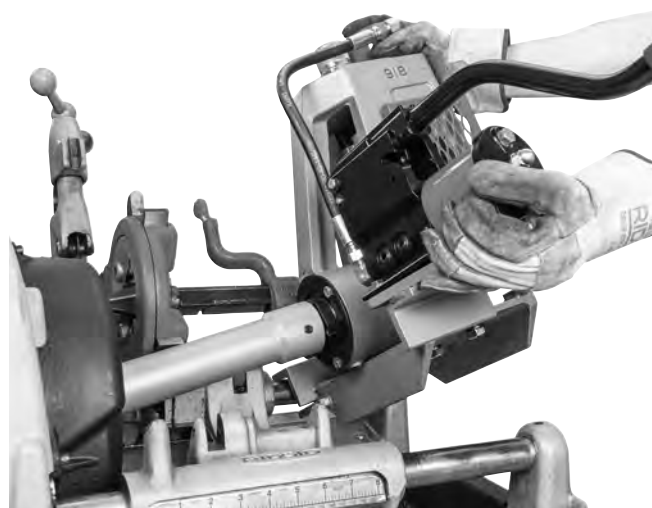


Figura 9 – Ranuradora 918 sobre la base de instalación de la roscadora 535

5. Estando la ranuradora 918 en el extremo de la roscadora, apriete bien el mandril delantero de la roscadora sobre la barra de accionamiento. Vea la Figura 10.

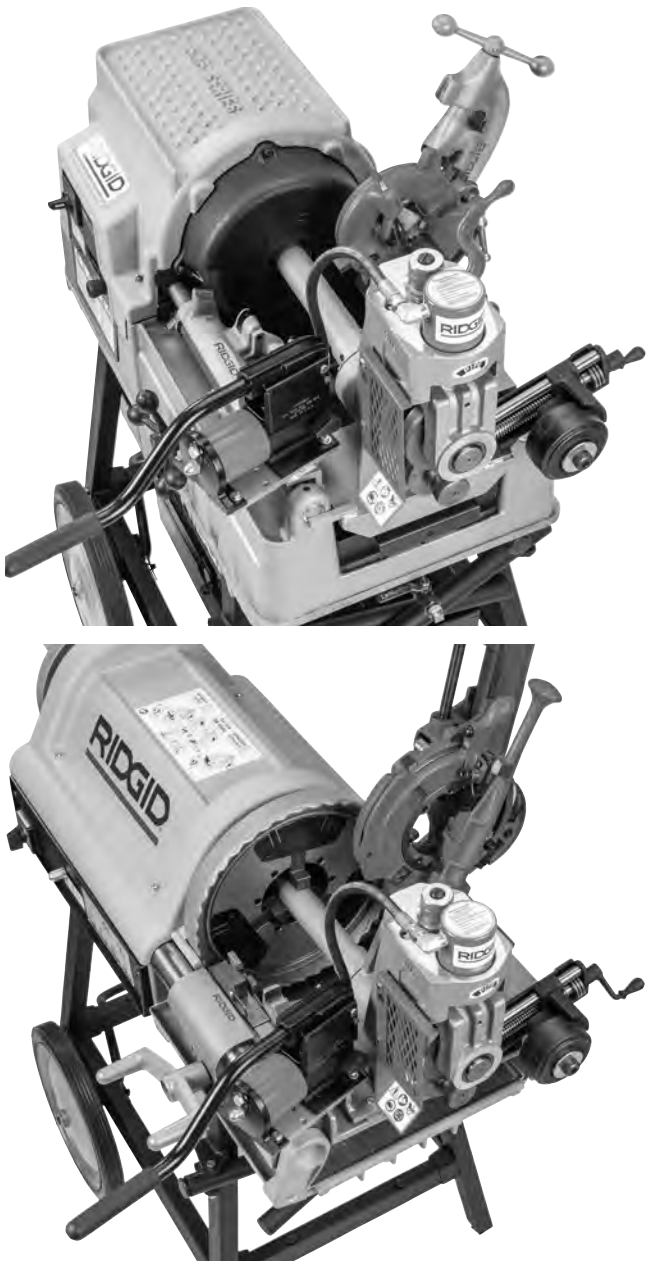


Figura 10 – La ranuradora 918 instalada sobre la roscadora 535 A y la roscadora 1224

Operación

⚠ ADVERTENCIA



Mantenga las manos alejadas de los rodillos ranuradores. No use guantes sueltos. Los dedos pueden quedar aplastados entre los rodillos ranuradores, entre un rodillo y el tubo o entre el tubo y la rueda del estabilizador.

Mantenga las manos alejadas de los extremos del

tubo. No meta las manos dentro del tubo. No toque la ranura durante el funcionamiento. Se podría enganchar y cortar en una rebaba o borde filoso. Se le pueden aplastar los dedos entre los rodillos ranuradores o entre un rodillo ranurador y el tubo.

Mantenga las cubiertas de seguridad en su sitio. No haga funcionar la ranuradora si se le ha sacado la cubierta. Si los rodillos ranuradores quedan expuestos pueden provocar enganches y lesiones graves.

Solamente ranure tubos que tengan una longitud de 8 pulgadas (20 cm) o más. Si intenta ranurar un tubo más corto que lo especificado, puede enmarañarse y sufrir lesiones por aplastamiento.

No use esta ranuradora a rodillos con un accionamiento motorizado o una máquina roscadora que no tengan un interruptor de pie. Nunca debe bloquear el interruptor de pie en posición de ENCENDIDO de manera que no controle la máquina. Un interruptor de pie mejora el control al permitirle apagar el motor de la máquina al retirar el pie del interruptor. Si se produce un enmarañamiento y el motor sigue andando, el operario será jalado hacia la máquina. Esta máquina tiene un elevado par de torsión y puede hacer que la ropa se le tuerza alrededor de un brazo u otra parte de cuerpo, con fuerza suficiente para aplastar o fracturar los huesos o causar lesiones por golpes o lesiones de otro tipo.

Asegure la estabilidad de la ranuradora a rodillos, el tubo, los soportes y la máquina. Asegure que la ranuradora a rodillos esté correctamente instalada y fija. Así ayuda a prevenir el volcamiento del equipo y el tubo. Apoye el tubo correctamente, para que no se vuelquen el tubo y el equipo.

Siempre use protección para los ojos. Use calzado con puntera de acero para protegerse contra tubos que se caen o aparatos que se vuelcan.

Instale y haga funcionar la ranuradora a rodillos de acuerdo con estos procedimientos, para reducir el riesgo de lesiones debidas a volcamiento de aparatos, enmarañamiento, aplastamiento, golpes y otras causas, y para impedir que se dañe el equipo.

1. Confirme que la máquina y la zona de trabajo estén bien montadas y que no hay espectadores ni otras distracciones en la zona de trabajo. Cuando la máquina está funcionando, el operario debe ser la única persona en la zona de trabajo.
2. Coloque el interruptor de pie en la correcta posición de funcionamiento, como se muestra en la Figura 18.
3. Revise la ranuradora a rodillos para asegurar que funcionará correctamente. Manteniendo las manos alejadas, haga lo siguiente:
 - Coloque el conmutador REV/O-OFF/FOR del accionamiento motorizado o roscadora en la posición REV. Oprima y suelte el interruptor de pie. El rodillo de accionamiento debe rotar hacia la derecha (vea la Figura 14), igual como se ve en la ranuradora en la calcomanía de rotación del tubo.

Si la ranuradora no gira en el sentido correcto, o si el interruptor de pie no controla el funcionamiento de la máquina, no use la máquina hasta que se haya reparado.

- Presione el interruptor de pie y manténgalo oprimido. Inspeccione las piezas móviles para verificar que nada esté mal alineado o ligado, no se oigan ruidos raros ni exista ninguna otra situación anormal. Confirme que la máquina gire a menos de 58 rpm, ya que a velocidades mayores aumenta el riesgo de lesiones. Quite el pie del interruptor de pie. Si encuentra alguna condición anormal, no use la máquina hasta que se haya reparado.
- Coloque el conmutador REV/O-OFF/FOR en la posición de apagado (OFF). Con las manos secas, desenchufe la máquina.

Preparación del tubo

AVISO Estas son instrucciones generales. Siempre siga las recomendaciones específicas del fabricante del acoplamiento ranurado para la preparación del extremo del tubo. Si no sigue estas recomendaciones, podría producirse una conexión mal hecha y causar fugas.

1. Conozca las especificaciones de los tubos que se pueden ranurar. Un tubo que no cumple con las especificaciones puede causar fugas y otros problemas. El ovalamiento del tubo no debe exceder la tolerancia total de diámetro exterior listado en las *Especificaciones estándar del ranurado a rodillos, Tabla II*.
2. Corte el tubo para obtener la longitud deseada. Conozca cuál es la longitud mínima para ranurar el tubo.
 - Los tubos de un diámetro de 5" o menos no deben tener una longitud inferior a 8" (20 cm).
 - Los tubos de un diámetro de 6" a 12" no deben tener una longitud inferior a 10" (25 cm).

Si ranura un tubo demasiado corto, aumenta el riesgo de lesiones por enmarañamiento y de aplastarse los dedos.

3. Asegure que el extremo del tubo esté cortado en ángulo recto y no tenga rebabas. Las rebabas pueden enganchar o cortar los guantes o los dedos durante el ranurado. El método de cortar el extremo y las rebabas grandes pueden afectar la calidad de la ranura labrada y dificultar la trayectoria del ranurado. No intente ranurar un tubo que ha sido cortado con un soplete.
4. Quite los gotas de soldadura internas y externas, depósitos, costuras, incrustaciones, suciedad, óxido y otros contaminantes en las 2" finales, o más, del extremo del tubo. No corte partes planas en la zona

donde se asienta la junta obturadora, ya que podría causar fugas. Los contaminantes podrían obturar el moleteado del rodillo de accionamiento y alterar la rotación del tubo y el recorrido de la ranura en el tubo durante el ranurado.

Avance y retracción del rodillo ranurador

La bomba hidráulica controla el movimiento del rodillo ranurador.

- Para avanzar el rodillo ranurador, coloque la manivela de la bomba en la posición de avance y luego mueva la manivela de la bomba hacia arriba y hacia abajo.
- Para retraer el rodillo ranurador, coloque la manivela de la bomba en la posición de retracción. *Vea la Figura 11.*



Figura 11 – Posición de la manivela de liberación de la bomba

Colocación del tubo en la ranuradora a rodillos

1. Confirme que el conmutador de la máquina esté en posición de apagado (OFF).
2. Retraiga el rodillo ranurador completamente.
3. Debe contar con soportatubos apropiados para apoyar el tubo. Ajuste la altura de los soportatubos para que el tubo esté a nivel y el diámetro interno del borde superior del tubo esté asentado sobre la parte superior del rodillo de accionamiento (*vea la Figura 12*).

Coloque los soportatubos directamente al frente de la ranuradora a rodillos. El lugar donde se coloca cada soporte depende de la longitud del tubo.

Para tubos cortos (*vea la Tabla A*), use por lo menos un soportatubo y el eje de mando para apoyar el tubo. En este caso, el soportatubo debe colocarse a una distancia ligeramente superior a la mitad del largo del tubo con respecto a la ranuradora a rodillos.

Diám. nominal	Largo mínimo	Largo máximo	Diám. nominal	Largo mínimo	Largo máximo
1	8	36	4	8	36
1 ¹ / ₄	8	36	4 ¹ / ₂	8	32
1 ¹ / ₂	8	36	5	8	32
2	8	36	6 D.E.	10	30
2 ¹ / ₂	8	36	6	10	28
3	8	36	8	10	24
3 ¹ / ₂	8	36	10	10	24
4	8	36	12	10	24

Tabla A – Largo mínimo y máximo (en pulgadas) del tubo a ranurar, apoyado en un solo soportatubos

Use por lo menos dos soportes si el tubo es más largo y coloque cada soporte a una distancia del extremo igual a ¼ del largo del tubo. Si no apoya el tubo correctamente, el tubo o el tubo junto con la máquina se pueden volcar y caer. Siempre use un soportatubos. Así ayuda a alinear el tubo y a mantener el correcto recorrido del ranurado.

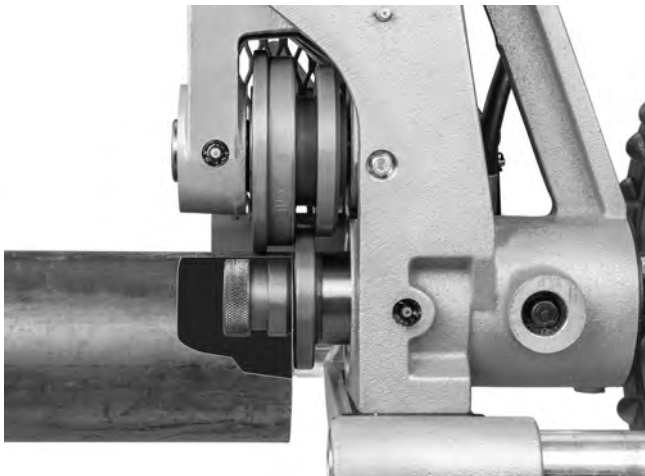


Figura 12 – Colocación del tubo sobre el eje de mando y al ras con la brida del eje de mando. Se ha quitado el estabilizador para mejorar la claridad de la imagen.

4. Coloque el tubo sobre los soportes. El extremo del tubo debe estar al ras con la brida del eje de mando. El interior del tubo debe estar en contacto con la parte superior del eje de mando (Figura 12). Asegure que el tubo esté bien agarrado y estable.

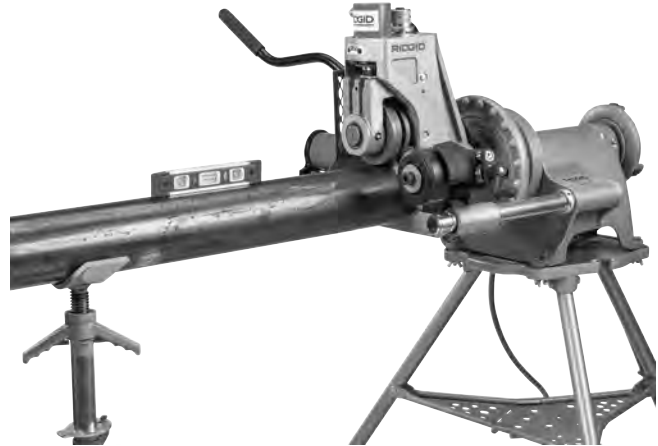


Figura 13 – Nivelación del tubo

5. Haga avanzar el rodillo ranurador hasta que toque el tubo y lo agarre suavemente. No permita que el rodillo ranurador penetre en el tubo.
6. Confirme que el tubo esté en la posición correcta. Si el tubo está mal colocado, es posible que la ranura no siga el trayecto debido.
 - El extremo del tubo debe estar al ras contra la brida del eje de mando.
 - La recta central del tubo y la recta central del eje de mando deben estar en paralelo. Esto se puede verificar con un nivel colocado sobre el cilindro hidráulico y sobre el tubo. *Vea la Figura 13.*
 - La ranuradora a rodillos y la máquina deben estar bien asentadas en el suelo. Si la máquina se está levantando del suelo, indica que los soportatubos están mal colocados y es necesario ajustar su posición.
7. **Operación preferida, con el conmutador en el ajuste REV:** Coloque el tubo y los soportatubos ligeramente descentrados, desviados en aproximadamente ½ grado (como 1" a 10 pies de distancia desde la ranuradora a rodillos) hacia el operario. Si el tubo y la ranuradora a rodillos están bien alineados, se asegura el correcto recorrido sobre el tubo durante el ranurado (*vea la Figura 14*). Este es el descentrado apropiado cuando se ranura con la máquina con el conmutador en el ajuste REV, y funciona con el estabilizador.

Operación alternativa, con el conmutador en el ajuste FOR: Si está usando la máquina con el conmutador en el ajuste FOR, como sería con la roscadora de mandril automático 535 que no está adaptada para agarrar en ambas direcciones, debe descentrar el tubo y los soportatubos en aproximadamente ½ grado (como 1" a 10 pies de distancia

desde la ranuradora), alejándolos del operario (vea la Figura 15). No se puede usar el estabilizador del tubo con el ajuste FOR porque puede hacer que el tubo se salga en espiral del juego de rodillos.

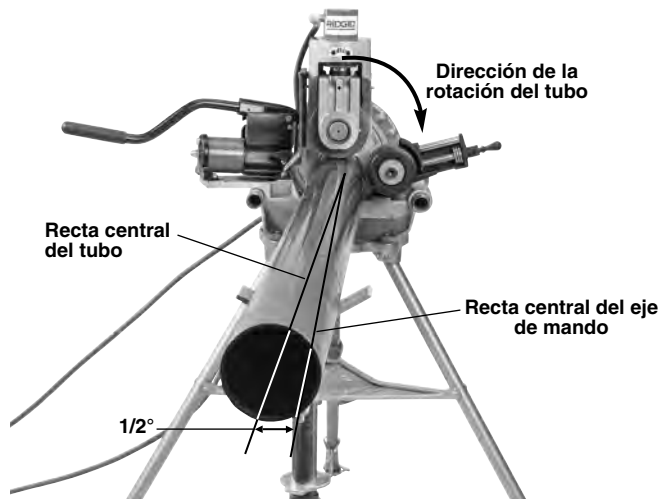


Figura 14 – Desviación del tubo en 1/2°, acercándolo al operario (exagerado en la imagen)

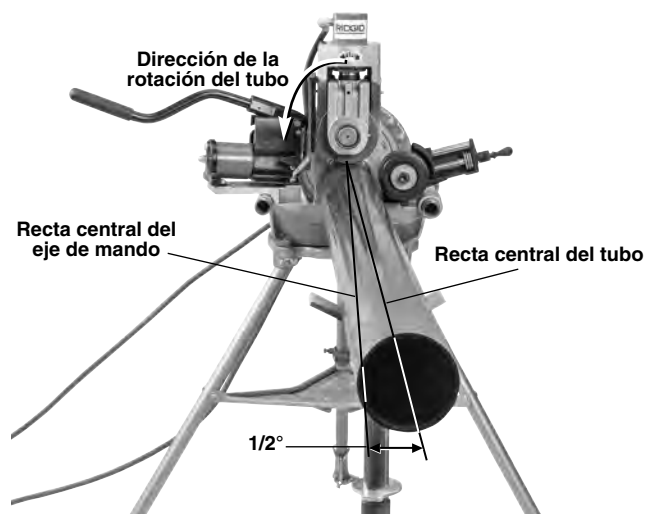


Figura 15 – Desviación del tubo en 1/2°, alejándolo del operario (exagerado en la imagen)

8. Limite el acceso o coloque barricadas en la zona de trabajo, permitiendo un radio despejado de por lo menos un metro (3 pies) alrededor del equipo y el tubo. Esto ayuda a evitar que personas ajenas entren en contacto con el equipo o el tubo y reduce el riesgo de volcamiento o enmarañamiento.
9. Con las manos secas, enchufe el accionamiento motorizado o la roscadora en un tomacorriente con conexión a tierra.

Selección y ajuste del diámetro en la ranura

AVISO Como todos los tubos tienen características diferentes, siempre debe labrar una ranura de prueba antes de iniciar el trabajo del día o cuando cambie a otro tubo de distinto diámetro, espesor, material o lote. Así reduce el riesgo de labrar ranuras que están fuera de los límites de tolerancia. Es necesario medir el diámetro en la ranura para confirmar que tiene el tamaño correcto.

1. Confirme que el equipo esté correctamente instalado y que el tubo esté correctamente preparado y colocado. Si la instalación y preparación no son las apropiadas, puede cambiar la exactitud de los ajustes de diámetro de la ranura.
2. El rodillo ranurador debe agarrar el tubo ligeramente. Si fuera necesario, haga avanzar el rodillo ranurador para que apenas toque el tubo y lo agarre suavemente. No debe causar una hendidura en el tubo. No aplique demasiada presión.
3. Haga girar la tuerca de ajuste de profundidad hasta que se detenga contra la carcasa de la ranuradora.
4. Haga girar la tuerca al revés en una sola vuelta (Figura 16).



Figura 16 – Ajuste de la tuerca para fijar la profundidad

5. Labre una ranura de prueba.
6. Inspeccione y mida la ranura de prueba. Si el diámetro en la ranura no cumple con las especificaciones, cambie la posición de la tuerca para ajustar la profundidad, hasta conseguir un diámetro correcto en la ranura. Vea la Figura 16.
 - Para aumentar el diámetro en la ranura, reduciendo su profundidad, gire la tuerca de ajuste de la profundidad hacia la derecha.
 - Para reducir el diámetro en la ranura, aumentando su profundidad, gire la tuerca de ajuste de la profundidad hacia la izquierda.

- Cada cuarto de vuelta de la tuerca de ajuste de la profundidad cambia el diámetro en la ranura en aproximadamente 0,025" (0,06 mm). Cuando la tuerca pasa a la siguiente marca en la circunferencia, el diámetro en la ranura cambia en aproximadamente 0,002" (0,05 mm).
7. Repita los pasos 4 a 6 hasta que el diámetro en la ranura cumpla con las especificaciones. Si la ranura es demasiado grande, puede ajustar la ranuradora para obtener una ranura de menor tamaño. Si la ranura es demasiado pequeña, tendrá que labrar otra ranura. Es importante que el diámetro sea el correcto, para asegurar el desempeño de la conexión. Las ranuras que no cumplen con las especificaciones pueden hacer fallar la conexión.

Operación del estabilizador

El estabilizador se usa para aplicar una fuerza leve a los tubos de 2½" a 12", para mejorar el correcto recorrido del ranurado. Es especialmente útil para tubos cortos pero se puede usar con tubos de cualquier largo. El estabilizador también reduce el bamboleo de los tubos más largos y de mayor diámetro.

El estabilizador se puede usar solamente si el accionamiento motorizado o la roscadora tienen el conmutador REV/O-OFF/FOR en la posición REV. La rotación del tubo está marcada en la ranuradora (vea la *Figura 17*). Si se usa con el conmutador REV/O-OFF/FOR en la posición FOR, el tubo hace una espiral y se sale de los rodillos de la ranuradora.

1. Instale el equipo correctamente y coloque el tubo.
2. Fije el diámetro de ranurado.
3. Haga rotar la manivela del estabilizador para que el rodillo se ponga en contacto con el tubo. Dele otra vuelta completa a la manivela, para cargar el rodillo contra el tubo (*Figura 17*). No estire el cuerpo sobre el tubo para ajustar el estabilizador.
4. Ranure el tubo. Durante la operación, aleje las manos de los rodillos ranuradores, la rueda del estabilizador y el extremo del tubo. No ranure tubos que tengan un largo inferior a las especificaciones. No meta la mano dentro del tubo ni toque la ranura, para reducir el riesgo de lesiones por aplastamiento.

Durante el ranurado, si no se sigue el correcto trayecto, quite el pie del interruptor de pie y suspenda la operación. Prepare los equipos para una nueva ranura y haga rotar la manivela media vuelta más, para aumentar la carga contra el tubo. No aumente la carga demasiado, ya que se podría dañar el rodillo.

Una vez que se fije el estabilizador para un tubo de cierto material y tamaño, generalmente no es necesario volver a ajustarlo ni retirarlo cuando se carga y se descarga un tubo.

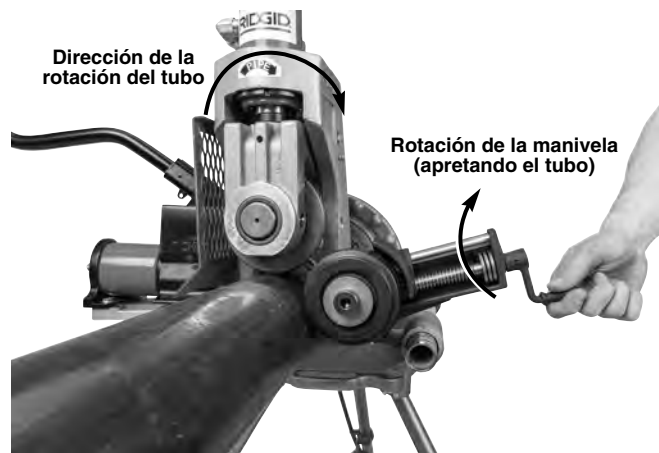


Figura 17 – Posicionamiento del estabilizador

Operación de ranurado

1. Confirme que el equipo está correctamente instalado y que el tubo está bien preparado y colocado. No ranure tubos que tengan un largo inferior a 8".
2. Fije el diámetro en la ranura.
3. Si fuera necesario, fije la posición del estabilizador.
4. Adopte la posición de trabajo correcta, para ayudar a mantener el control de la máquina y el tubo. Vea la *Figura 18*.



Figura 18 – Posición de trabajo correcta

- El operario debe estar parado mirando hacia la ranuradora a rodillos por el lado del conmutador REV/O-OFF/FOR en la máquina, con fácil acceso al conmutador, la manivela de la bomba, y el tubo. La mano izquierda agarra la manivela de la bomba. La mano derecha está apartada del tubo, excepto si está aplicando una fuerza leve al tubo para mantener el recorrido correcto (*vea la sección Consejos para ranurar correctamente*).
 - Asegure que pueda controlar el interruptor de pie. Todavía no pise el interruptor. En caso de emergencia, es esencial que pueda soltar el interruptor de pie.
 - Tenga los pies bien plantados y mantenga el equilibrio, y asegure que no tenga que estirar el cuerpo para alcanzar algo.
5. Coloque el conmutador REV/O-OFF/FOR en la posición REV.
 6. Haga girar la manivela de la bomba en un cuarto de vuelta, para forzar el rodillo ranurador hacia el tubo.
 7. Presione el interruptor de pie. El tubo empezará a girar. Permita una rotación completa del tubo a la vez que gira la manivela de la bomba en un cuarto de círculo. No haga avanzar el rodillo ranurador en forma demasiado enérgica ya que puede hacer que el tubo se desplace en espiral fuera del juego de rodillos y se formen ranuras defectuosas. Mantenga las manos alejadas del juego de rodillos, el extremo del tubo y la rueda del estabilizador. No meta las manos dentro del tubo ni toque la ranura.

Vigile el tubo a medida que se va ranurando. El extremo del tubo debe mantenerse en contacto con la brida del eje de mando y el tubo debe mantener su posición. Si el tubo comienza a salirse de su posición, quite el pie del interruptor de pie y suspenda el ranurado. Mantenga el cuerpo apartado por si el tubo se suelta del juego de rodillos. Si el tubo empieza a salirse de su posición, suspenda la operación de ranurado y revise la instalación. Si se ha dañado el extremo del tubo, tendrá que preparar una nueva ranura.

Siga rotando la manivela de la bomba en un cuarto de vuelta para cada rotación completa del tubo.

Cuando use el juego de rodillos de 1", es particularmente importante no aplicar fuerza excesiva (mala selección del diámetro ranurado, ranuras demasiado pequeñas, una vuelta de más de un cuarto de la manivela de la bomba, por cada rotación). Esto puede dañar el rodillo de 1".

8. Cuando la tuerca de ajuste de la profundidad se ponga en contacto con el borde superior de la ranuradora, deje que el tubo haga dos rotaciones más para asegurar una profundidad uniforme de la ranura.

9. Quite el pie del interruptor de pie.
10. Coloque el conmutador REV/O-OFF/FOR en la posición OFF.
11. Retraiga el rodillo ranurador y extraiga el tubo de la ranuradora a rodillos.
12. Inspeccione y mida la ranura.

Consejos para ranurar correctamente

Un problema típico durante el ranurado a rodillos es el movimiento en espiral del tubo o su alejamiento del eje de mando, o problemas con la trayectoria correcta de la ranura.

Para que el ranurado siga el trayecto correcto, es importante respetar todas las instrucciones. Si el tubo sigue con problemas para mantener el trayecto del ranurado, el operario puede usar otras opciones para mejorar el trayecto.

- Aumente levemente el ángulo de descentrado del tubo, de medio grado a 1 grado. *Vea la Figura 14.*
- Dele otra media vuelta a la manivela del estabilizador, para apretar un poco más.
- Es posible que el operario tenga que aplicar una fuerza leve sobre el tubo mientras está ranurando, para que siga el trayecto correcto. Por lo general, esto es necesario solamente para tubos más cortos que no usan el estabilizador. Para ejercer esta fuerza, el operario debe usar un guante de cuero en buenas condiciones y encerrar el tubo con la mano, como se muestra en la *Figura 19*, para que pueda acercar el tubo levemente hacia su persona. Esto puede exigir que el accionamiento motorizado o la roscadora estén fijados al suelo para que no se muevan durante el ranurado. Para reducir el riesgo de lesiones por cortes o aplastamiento, la mano debe mantenerse alejada del rodillo ranurador y los extremos del tubo; no ranure tubos más cortos que el límite recomendado y no meta la mano en el tubo ni toque la ranura.



Figura 19 – Aplicación de presión sobre el tubo, con el accionamiento motorizado en dirección REV

Si el accionamiento motorizado o la roscadora se hacen funcionar en dirección FOR, no se puede usar el estabilizador. Aleje la rueda del estabilizador del tubo. Si se usa el estabilizador con el accionamiento en FOR, el tubo saldrá en espiral fuera de los rodillos ranuradores. Si fuera necesario, el operario debe usar un guante de cuero en buenas condiciones en la mano derecha y con esa mano empujar el tubo levemente, alejándolo de su persona, como se muestra en la *Figura 20*.



Figura 20 – Aplicación de presión sobre el tubo, con el accionamiento motorizado en dirección FOR

Inspección y medición en la ranura

1. Inspeccione la ranura.
 - Asegure que estén presentes todas las características, bien formadas. *Vea la Tabla II y la Figura 30.*
 - Mida el diámetro en la ranura para verificar que cumple con las especificaciones.
 - Revise las demás características que exige el fabricante del acoplamiento.
 - Pruebe el sistema de acuerdo con los códigos locales y las prácticas normales.

Si encuentra algún problema, no se puede usar la ranura. Es importante conseguir un diámetro correcto en la ranura para asegurar el desempeño de la conexión. Una ranura que no cumple con las especificaciones podría causar una falla en la junta.

2. Mida el diámetro en la ranura con una cinta de diámetros (*vea la sección Equipo opcional*). Con la cinta en la ranura, ajústela bien para que rodee la circunferencia. La cinta debe estar asentada y aplanada contra el fondo de la ranura. Lea el diámetro en la ranura (*Figura 21*). Compare el diámetro medido con el diámetro exigido para la ranura como se muestra en la Tabla II o III o según las especificaciones del fabricante del acoplamiento que se colocará en la ranura.



Figura 21 – Medición del diámetro en la ranura con la cinta de diámetros

Preparación de la ranuradora para su transporte

Antes de transportar la ranuradora a rodillos 918, desconéctela del accionamiento motorizado o roscadora. Esté consciente del peso del equipo. Use métodos apropiados para levantar o mover los equipos.

Almacenamiento

⚠ ADVERTENCIA La ranuradora a rodillos 918 se debe guardar bajo techo o bien tapada si se guarda en un lugar con lluvia. Almacene la máquina en un lugar bajo llave que esté fuera del alcance de los niños y de personas que no estén familiarizadas con las ranuradoras a rodillos. Esta máquina puede causar lesiones graves en manos de personas no capacitadas.

Instrucciones de mantenimiento

⚠ ADVERTENCIA

La ranuradora debe estar desenchufada antes de hacerle algún mantenimiento o ajuste.

Haga el mantenimiento de la ranuradora a rodillos de acuerdo con estos procedimientos, para reducir el riesgo de lesiones.

Limpieza

Use un paño húmedo y suave para limpiar la ranuradora a rodillos.

Limpie la superficie moleteada del rodillo de accionamiento con una escobilla de alambre antes de usar la ranuradora y cuando sea necesario durante la operación. Cuando ranure tubos de acero inoxidable, limpie a fondo el juego completo de rodillos con una escobilla de alambre de acero inoxidable.

Lubricación

Una vez al mes o con mayor frecuencia si es necesario, lubrique la ranuradora con grasa basada en litio y de uso general. Siempre lubrique la ranuradora a rodillos después de cambiar el juego de rodillos.

- Lubrique la ranuradora en los puntos de engrase (vea la Figura 22). Agregue grasa hasta que se rebalse levemente.



Figura 22 – Puntos de engrase

- Aplique un aceite lubricante liviano a los puntos de pivote y zonas de movimiento relativo, tales como la tuerca de ajuste de la profundidad y el tornillo de alimentación del estabilizador. Elimine con un paño el exceso de lubricante en las zonas expuestas.

Nivel del líquido hidráulico

Extraiga la tapa del depósito del líquido (Figura 23). El nivel del aceite debe alcanzar la línea de llenado cuando la bomba está asentada sobre su base y el ariete está completamente retraído. Use solamente aceite hidráulico ISO 15.



Figura 23 – Tapa del depósito

El aceite hidráulico debe cambiarse una vez al año, o con más frecuencia si la bomba se usa mucho o si se usa donde hay mucha tierra. Para drenar el aceite, extraiga la tapa del depósito y vierta el aceite en un recipiente. Elimine el aceite hidráulico correctamente según la Hoja de datos de seguridad (SDS) y los requisitos locales.

Después de cambiar el aceite hidráulico, es posible que tenga que purgar el aire del sistema. Para purgar el sistema hidráulico, vuelque la máquina sobre un costado de manera que el ariete esté más abajo que la bomba. Mueva el pistón del cilindro para adelante y atrás varias veces para que el aire salga por el depósito de la bomba.

Extracción e instalación de juegos de rodillos

AVISO Cuando cambie el juego de rodillos, verifique que las marcas en el rodillo de accionamiento correspondan a las marcas del rodillo ranurador. Si las partes no corresponden entre sí, se puede labrar una ranura defectuosa y causar fugas. Siempre cambie el juego completo de rodillos, sin mezclar rodillos de distintos juegos.

Si la ranuradora a rodillos está instalada en un accionamiento motorizado o roscadora, sepárela y colóquela en una mesa de trabajo estable.

Cuando haga reemplazos, apoye bien los rodillos y ejes.

Reemplazo del rodillo ranurador

1. Retraiga el rodillo ranurador completamente.
2. Retraiga la rueda del estabilizador completamente.
3. Afloje el tornillo de montaje del rodillo ranurador (Figura 24). Agarre el rodillo ranurador y extraiga el eje superior y el rodillo de la ranuradora (Figura 25).
4. Después de cambiar el eje de mando/rodillo de accionamiento, proceda al revés para instalar el aparato. Asegure que las piezas estén limpias, para impedir que se ensucien los alojamientos. Lubrique los alojamientos antes de usar el aparato.



Figura 24 – Aflojar el tornillo de montaje del juego de rodillos ranuradores



Figura 25 – Extracción del eje de retención y rodillo ranurador

Reemplazo del eje de mando y rodillo de accionamiento

La ranuradora a rodillos 918 tiene dos tipos de eje de mando. Hay un eje de mando de una sola pieza que se usa para los diámetros de 2" a 6" y de 8" a 12". Hay una unidad de dos piezas integrada por un eje de mando y rodillo de accionamiento intercambiable, que se usa para tubos de cobre de 1", 1¼" a 1½" y 2" a 6". *Vea la Figura 26.*

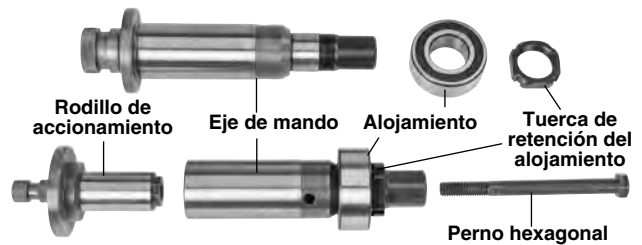


Figura 26 – Eje de mando de una pieza (arriba) y eje de mando de dos piezas (abajo)

1. Extraiga el rodillo ranurador.
2. Gire el eje de mando manualmente y al mismo tiempo aplique presión al pasador de traba del husillo hasta que el pasador de traba se encaje en el agujero del husillo en el eje de mando.

Reemplazo del eje de mando

3. Con el husillo trabado, use la llave de tubo para extraer la tuerca de retención del alojamiento del eje de mando (Figura 27).
4. Deje de presionar el pasador de traba del husillo, para permitir que se retraiga.
5. Extraiga el eje de mando de la parte de adelante de la ranuradora.
6. Proceda al revés para hacer la instalación. Asegure que las piezas estén limpias, para que no se ensucien los alojamientos. Lubrique los alojamientos antes de usar el aparato.



Figura 27 – Traba del husillo y extracción de la tuerca de retención del eje de mando

Reemplazo del rodillo de accionamiento

(ejes de dos piezas)

1. Con el husillo trabado, use la llave hexagonal de $\frac{15}{16}$ " del conjunto de llaves para aflojar el perno de tracción.
2. Con un mazo blando, golpee suavemente la cabeza del perno, para aflojar el rodillo de accionamiento del eje de mando.
3. Desenrosque el perno de tracción del rodillo de accionamiento y extraiga el rodillo de la parte de adelante de la ranuradora.
4. Proceda al revés para hacer la instalación. Asegure que el rodillo de accionamiento esté bien asentado en el eje de mando y que esté firme el perno de tracción.



Figura 28 – Traba del husillo y aflojamiento del perno de tracción

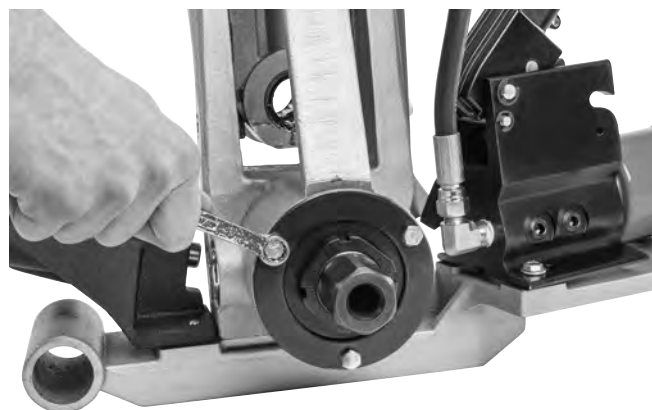


Figura 29 – Extracción de los tornillos hexagonales de la placa de retención

Cambio de un eje de mando de una sola pieza a un eje de mando de dos piezas

1. Extraiga el eje de mando de una sola pieza.
2. Extraiga los tornillos de la placa de retención del alojamiento trasero y extraiga la placa. *Vea la Figura 29.*
3. Extraiga el alojamiento trasero de la parte de atrás de la carcasa de la ranuradora 918.
4. Instale el conjunto de eje de mando de dos piezas en la parte de atrás de la carcasa de la ranuradora 918. Asegure que las piezas estén limpias, para no ensuciar los alojamientos.
5. Vuelva a instalar la placa de retención y los tornillos del alojamiento trasero.
6. Instale el rodillo de accionamiento necesario. Lubrique los alojamientos antes de usar el aparato.

Resolución de problemas

PROBLEMA	POSIBLES RAZONES	SOLUCIÓN
La ranura es demasiado angosta o demasiado ancha.	Rodillo ranurador y eje de mando incorrectos. Desgaste del rodillo ranurador y/o del eje de mando. El rodillo ranurador y el eje de mando no se corresponden entre sí.	Instale el rodillo ranurador y eje de mando correctos. Reemplace el rodillo ranurador y/o el eje de mando. Instale un rodillo ranurador y eje de mando que sean del mismo juego.
La ranura no forma un ángulo recto con el tubo.	El tubo no es recto. El extremo del tubo no está cortado a escuadra.	Use un tubo recto. Corte el extremo del tubo a escuadra.
El tubo no mantiene la trayectoria de la ranura. La ranuradora no mantiene el recorrido sobre el tubo durante la operación.	El tubo y el eje de mando no están paralelos. El eje central del tubo no está descentrado en medio grado con respecto al eje del rodillo de accionamiento. El descentrado de medio grado no es suficiente. El eje de mando o el rodillo tienen la superficie moleteada obturada con suciedad, o desgastada. Hay demasiadas incrustaciones en el interior del tubo. La costura de soldadura es excesiva.	Ajuste el soporte para que el tubo quede paralelo. Establezca un descentrado del tubo de medio grado. Aumente un poco más el ángulo de descentrado. Limpie o reemplace el eje de mando o el rodillo. Limpie el interior del tubo.
El tubo está abocinado en el extremo ranurado.	El estabilizador no se ha usado o está mal ajustado. El extremo del tubo no está a escuadra y/o tiene rebabas.	Pula la costura de soldadura para aplanarla, a 2" del extremo del tubo. Ajuste el estabilizador. Aplique presión al tubo. <i>Vea la Figura 19 y 20.</i> Prepare el extremo del tubo correctamente.
El tubo se abocina en el extremo ranurado.	El tubo y el eje de mando no están paralelos. El operario está avanzando el rodillo ranurador a velocidad excesiva. El tubo es demasiado duro. El estabilizador está demasiado apretado.	Ajuste el soporte para que el tubo quede paralelo. Reduzca la velocidad de activación de la bomba. <i>Consulte las Instrucciones de operación.</i> Reemplace el tubo. Ajuste el estabilizador.
El tubo se desplaza de un lado a otro sobre el eje de mando durante la operación.	El tubo no es recto. El extremo del tubo no está a escuadra.	Use un tubo recto. Corte el extremo del tubo a escuadra.
El tubo se bambolea de un lado a otro.	El soportatubos está demasiado cerca al extremo del tubo. El extremo del tubo está aplanado o dañado. Hay zonas duras en el material del tubo o hay costuras de soldadura que son más duras que el tubo. La velocidad de la ranuradora es demasiado lenta. Los soportatubos no están en el lugar correcto. La velocidad del accionamiento motorizado o roscadora es superior a 57 rpm.	Desplace el soportatubos en la forma indicada en las Instrucciones de instalación. Corte el extremo del tubo para eliminar la parte dañada. Use otro tubo. Alimente la ranuradora en el tubo más rápidamente. Coloque los soportatubos en posición correcta. Reduzca la velocidad a 57 rpm.
La ranuradora no labra una ranura en el tubo.	El espesor de la pared del tubo es superior al máximo especificado. El material del tubo es demasiado duro. La tuerca de ajuste no se ha fijado. Está usando un juego de rodillos equivocado.	Consulte la tabla de capacidades del tubo. Reemplace el tubo. Fije la profundidad. Instale un juego de rodillos correcto.

Resolución de problemas (cont.)

PROBLEMA	POSIBLES RAZONES	SOLUCIÓN
La ranuradora no labra una ranura del diámetro exigido.	Se ha excedido la tolerancia máxima del diámetro del tubo. La tuerca de ajuste de profundidad no se ha fijado correctamente. El tubo es demasiado duro.	Use un tubo del diámetro correcto. Ajuste la profundidad fijada. Use un tubo diferente.
El tubo se resbala sobre el rodillo de accionamiento.	La velocidad de la ranuradora es demasiado lenta. La superficie moleteada del eje de mando está obturada con metal o desgastada y aplanada.	Alimente la ranuradora en el tubo más rápidamente. Limpie o reemplace el rodillo de accionamiento.
El tubo se levanta o tiende a volcar la ranuradora hacia atrás.	El soportatubos no está correctamente instalado.	Instale los soportatubos correctamente.
La bomba no emite aceite y el cilindro no avanza.	La válvula de liberación de la bomba está abierta. Hay poco aceite en el depósito. Hay suciedad en el cuerpo de la bomba. Los sellos están desgastados o no forman un sello. Hay demasiado aceite en el depósito.	Cierre la válvula de liberación. Revise el nivel de aceite según las instrucciones. Pida que un técnico calificado le haga servicio. Pida que un técnico calificado le haga servicio. Revise el nivel de aceite según las instrucciones.
La manivela de la bomba tiene una acción "elástica".	El sistema tiene aire atrapado. Hay demasiado aceite en el depósito.	Purgue el aire del sistema hidráulico según las instrucciones. Revise el nivel de aceite según las instrucciones.
El cilindro avanza solo parcialmente.	Poco aceite en el depósito. El ajuste de profundidad no está fijado correctamente.	Llene y purgue el sistema. Siga las instrucciones del ajuste de profundidad.

Servicio y reparaciones**⚠ ADVERTENCIA**

Esta máquina puede tornarse insegura si se repara o se mantiene incorrectamente.

La mayoría de las necesidades de servicio de esta máquina aparecen en las *Instrucciones de mantenimiento*. Cualquier problema que no aparezca en dicha sección debe encomendarse a un servicentro independiente autorizado de RIDGID. Use solamente repuestos RIDGID.

Para información sobre el servicentro RIDGID más cercano o si tiene preguntas sobre reparaciones o servicio, consulte la sección *Información de contacto* en este manual.

Equipo opcional

⚠ ADVERTENCIA

Para reducir el riesgo de lesiones graves, use solamente accesorios diseñados específicamente y recomendados para usar con la ranuradora a rodillos 918 de RIDGID, como los que se indican en la lista siguiente.

Nº Cat.	Descripción
48405	Juego de rodillos para 8" a 12", espesor 10 (8" espesor 40), con maletín
48407	Juego de rodillos para 1¼" a 1½", espesor 10/40, con maletín
48412	Juego de rodillos para 1", espesor 10/40, y para 1¼" a 1½", espesor 10/40, con maletín
48417	Juego de rodillos para 2" a 6", de cobre
59992	Estabilizador, 2½" a 12"
76822	Cinta de diámetros, en pulgadas
76827	Cinta de diámetros, métrica
49662	Caja de herramientas
51432	Rodillo de accionamiento, 2" a 6"
49217	Rodillo ranurador, 2" a 6"
54317	Llave de tubo
42360	Soporte 1206

Kits de montaje

Nº Cat.	Modelo Nº	Descripción
48292	911	Kit de montaje para el accionamiento motorizado 300 solamente
48397	914	Kit de montaje para el carro de la roscadora 1224 solamente
48402	915	Kit de montaje para el carro de la roscadora 535 solamente
56607	917	Kit de montaje para la roscadora Compact 300/1233 solamente
56532	—	Soporte, patas tubulares para la roscadora Compact 300/1233

Para una lista completa de los equipos RIDGID disponibles para esta máquina, vea en línea el Catálogo de Herramientas Ridge en RIDGID.com o vea la *Información de contacto*.

Eliminación

Partes de la ranuradora a rodillos 918 contienen materiales valiosos y se pueden reciclar. Hay compañías locales que se especializan en el reciclaje. Deseche los componentes y los desechos de aceite de acuerdo con todos los reglamentos correspondientes. Para más información sobre la eliminación de desechos, comuníquese con la agencia local de eliminación de residuos.

Tabla I. Espesor de la pared del tubo

NOTA: Todas las dimensiones están en pulgadas.

Diám. del tubo	Tubos o tuberías de acero al carbón o aluminio			Tubos o tuberías de acero inoxidable			Tubos de PVC		
	Espesor	Espesor de pared		Espesor	Espesor de pared		Espesor	Espesor de pared	
		Mín.	Máx.		Mín.	Máx.		Mín.	Máx.
1	5, 10, 40	0,065	0,133	5, 10	0,065	0,109	40	0,133	0,133
1¼	5, 10, 40	0,065	0,140	5, 10, 40	0,065	0,140	40	0,140	0,140
1½	5, 10, 40	0,065	0,145	5, 10, 40	0,065	0,145	40, 80	0,145	0,200
2	5, 10, 40	0,065	0,154	5, 10, 40	0,065	0,154	40, 80	0,154	0,218
2½	5, 10, 40	0,083	0,203	5, 10	0,083	0,188	40, 80	0,203	0,276
3	5, 10, 40	0,083	0,216	5, 10	0,083	0,188	40, 80	0,216	0,300
3½	5, 10, 40	0,083	0,226	5, 10	0,083	0,188	40	0,226	0,226
4	5, 10, 40	0,083	0,237	5, 10	0,083	0,188	40	0,237	0,237
5	5, 10, 40	0,109	0,258	5, 10	0,109	0,188	40	0,258	0,258
6	5, 10, 40	0,109	0,280	5, 10	0,109	0,188	40	0,280	0,280
8	5, 10, 40*	0,109	0,322	5, 10	0,109	0,148	40	0,322	0,322
10	5, 10	0,134	0,165	5, 10	0,134	0,165	—	—	—
12	5, 10	0,165	0,180	5, 10	0,165	0,180	—	—	—

* No usar para ranurar tubos de acero de 8" y espesor 40 que tengan un dureza superior a 150 BHN.

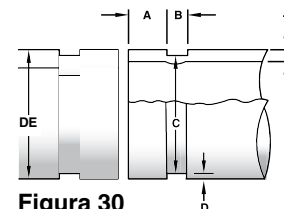


Figura 30

Tabla II. Especificaciones estándar del ranurado a rodillos⁽¹⁾

NOTA: Todas las dimensiones están en pulgadas.

Diám. nominal del tubo	Diám. del tubo		T Espesor mín. de la pared	A Asiento de la junta obturadora +0,015/-0,030	B Ancho de la ranura +0,030/0-0,015	C Diám. en la ranura		D Profundidad nom. de la ranura ⁽²⁾
	DE	Tol.				DE	Tol.	
1	1,315	+0,013 -0,013	0,065	0,625	0,281	1,190	+0,000	0,063
1¼	1,660	+0,016 -0,016	0,065	0,625	0,281	1,535	+0,000 -0,015	0,063
1½	1,900	+0,019 -0,019	0,065	0,625	0,281	1,535	+0,000 -0,015	0,063
2	2,375	+0,024 -0,016	0,065	0,625	0,344	2,250	+0,000 -0,015	0,063
2½	2,875	+0,029 -0,016	0,083	0,625	0,344	2,720	+0,000 -0,015	0,078
3	3,50	+0,035 -0,031	0,083	0,625	0,344	3,344	+0,000 -0,015	0,078
3½	4,00	+0,040 -0,031	0,083	0,625	0,344	3,834	+0,000 -0,020	0,083
4	4,50	+0,045 0,031	0,083	0,625	0,344	4,334	+0,000 -0,015	0,083
5	5,563	+0,056 0,031	0,109	0,625	0,344	5,395	+0,000 -0,015	0,084
6	6,625	+0,063 -0,031	0,109	0,625	0,344	6,455	+0,000 -0,015	0,085
8	8,625	+0,063 -0,031	0,109	0,750	0,469	8,441	+0,000 -0,020	0,092
10	10,75	+0,063 -0,031	0,134	0,750	0,469	10,562	+0,000 -0,025	0,094
12	12,75	+0,063 -0,031	0,156	0,750	0,469	12,531	+0,000 -0,025	0,110

(1) Según AWWA C606-15.

(2) La profundidad nominal de la ranura se proporciona solamente como dimensión de referencia. No use la profundidad de la ranura para determinar la aceptabilidad de una ranura.

NOTA: Siga las recomendaciones del fabricante del acoplamiento con respecto al abocinamiento máximo permitido.

Tabla II. Especificaciones para ranurar tubos de cobre

NOTA: Todas las dimensiones están en pulgadas.

Diám. nominal	Diám. exterior (DE) del tubo		A Junta obturadora ±0,03	B Ancho de la ranura +0,03 / -0,000	C Diám. en la ranura +0,000 / -0,020	D Profundidad nom. de la ranura ⁽²⁾	T Espesor mín. de pared permitido ⁽³⁾	Diám. máx. de abocinamiento
	Básico	Tolerancia						
2	2,125	±0,002	0,610	0,300	2,029	0,048	0,064	2,220
2½	2,625	±0,002	0,610	0,300	2,525	0,050	0,065	2,720
3	3,125	±0,002	0,610	0,300	3,025	0,050	0,045	3,220
4	4,125	±0,002	0,610	0,300	4,019	0,053	0,058	4,220
5	5,125	±0,002	0,610	0,300	5,019	0,053	0,072	5,220
6	6,125	±0,002	0,610	0,300	5,999	0,063	0,083	6,220

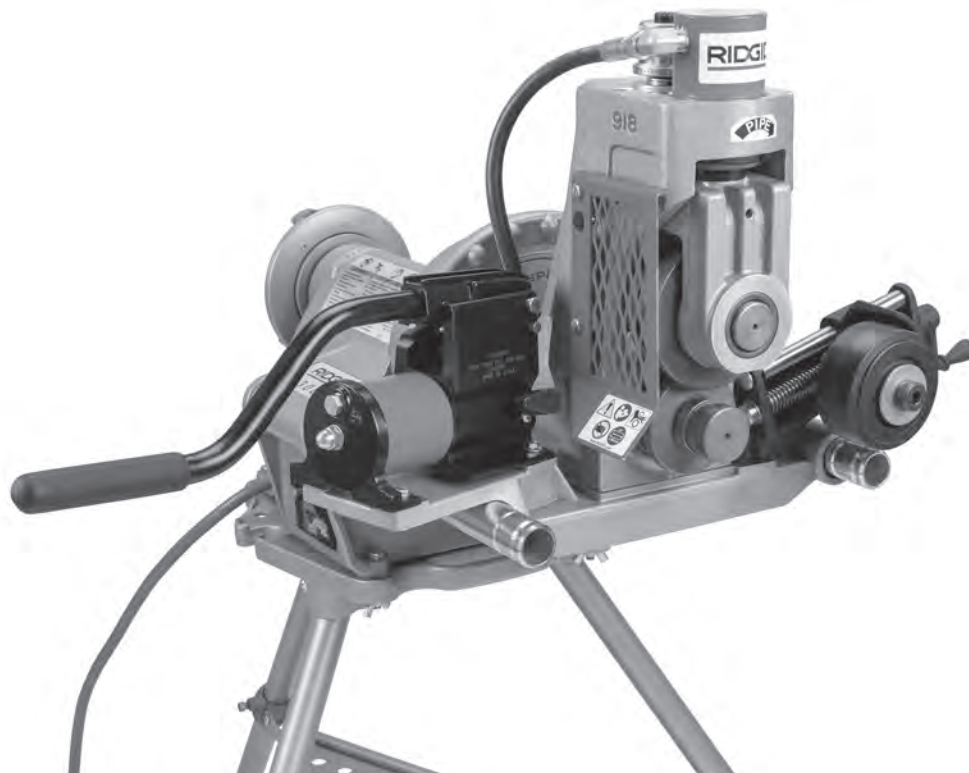
(1) Tuberías de cobre según las siguientes normas: ASTM B88 y ASTM B306.

(2) La profundidad nominal de la ranura se proporciona solamente como dimensión de referencia. No use la profundidad de la ranura para determinar la aceptabilidad de una ranura.

(3) "DWV" – Espesor de pared según ASTM B306 para tuberías de desagüe y ventilación (Drain Waste and Vent).

Rollnutgerät

918 Rollnutgerät



⚠️ WARNUNG!

Lesen Sie diese Bedienungsanleitung vor dem Gebrauch des Geräts sorgfältig durch. Die Unkenntnis und Nichtbeachtung des Inhalts dieser Bedienungsanleitung kann zu Stromschlag, Brand und/oder schweren Verletzungen führen.


Inhaltsverzeichnis

Sicherheitssymbole	75
Allgemeine Sicherheits- und Warnhinweise für Elektrowerkzeuge	75
Sicherheit im Arbeitsbereich.....	75
Sicherheit von Personen	75
Sachgemäßer Umgang mit Elektrowerkzeugen	76
Wartung.....	76
Spezifische Sicherheitsinstruktionen	76
Sicherheit bei Rollnutgeräten.....	76
RIDGID Kontaktinformationen	77
Beschreibung	77
Technische Daten	78
Standardausstattung.....	78
Zusammenbau	79
Montage des 918 an Sockeln für verschiedene Maschinen	79
Inspektion vor der Benutzung	80
Vorbereiten von Maschine und Arbeitsbereich	80
Installation des 918 am 300 elektrischen Antrieb	81
Installation des 918 an 300 Compact/1233 - Gewindeschneidmaschinen.....	82
Installation an 535 und 1224 Gewindeschneidmaschinen	83
Betrieb	84
Vorbereitung der Rohre.....	85
Vorschieben/Zurückfahren der Nutrolle.....	85
Einlegen eines Rohrs in das Rollnutgerät	85
Einstellung/Justierung des Nutdurchmessers	87
Stabilisatorbetrieb	88
Nutschneiden.....	88
Tipps zur Nachführung	89
Prüfen/messen der Nut.....	90
Vorbereitung der Maschine für den Transport.....	90
Aufbewahrung	90
Wartungsanweisungen	91
Reinigung.....	91
Schmierung.....	91
Hydraulikflüssigkeitsstand	91
Wechseln von Rollensätzen.....	91
Fehlerbehebung.....	94
Wartung und Reparatur	95
Optionale Ausrüstung	95
Entsorgung	96
Tabelle I. Rohrwanddicke	96
Tabelle II. Standard-Rollnut-Spezifikationen	97
Tabelle III. Kupfer-Rollnut-Spezifikationen	97
Garantie	Rückseite

* Übersetzung der Originalbetriebsanleitung

Sicherheitssymbole

Wichtige Sicherheitshinweise werden in dieser Bedienungsanleitung und auf dem Produkt mit bestimmten Sicherheitssymbolen und Warnungen gekennzeichnet. Dieser Abschnitt enthält Erläuterungen zu diesen Warnhinweisen und Symbolen.

 Dies ist das allgemeine Gefahrensymbol. Es weist auf mögliche Verletzungsgefahren hin. Beachten Sie alle Hinweise mit diesem Symbol, um Verletzungs- oder Lebensgefahr zu vermeiden.

GEFAHR GEFAHR weist auf gefährliche Situationen hin, die bei Nichtbeachtung zu tödlichen bzw. ernsthaften Verletzungen führen.

WARNUNG WARNUNG weist auf gefährliche Situationen hin, die bei Nichtbeachtung zu tödlichen bzw. ernsthaften Verletzungen führen können.

ACHTUNG ACHTUNG weist auf eine gefährliche Situation hin, die ohne entsprechende Sicherheitsvorkehrungen zu kleineren bis mittelschweren Verletzungen führen kann.

HINWEIS HINWEIS kennzeichnet Informationen, die sich auf den Schutz des Eigentums beziehen.



Dieses Symbol bedeutet, dass die Bedienungsanleitung sorgfältig durchzulesen ist, bevor das Gerät in Betrieb genommen wird. Die Bedienungsanleitung enthält wichtige Informationen für den sicheren, ordnungsgemäßen Gebrauch des Geräts.



Dieses Symbol bedeutet, dass bei der Arbeit mit diesem Gerät immer eine Schutzbrille mit Seitenschutz oder ein Augenschutz zu verwenden ist, um Augenverletzungen zu vermeiden.



Dieses Symbol weist auf das Risiko hin, dass das Gerät umkippen kann, was zu Verletzungen durch Aufprall oder Zerquetschen führen kann.



Dieses Symbol weist auf die Gefahr des Einklemmens von Fingern und Händen zwischen den Nutrollen hin.



Dieses Symbol weist darauf hin, dass das zu nutende Rohr mindestens 8 Zoll (200 mm) lang sein sollte, um die Verletzungsgefahr zu verringern.



Dieses Symbol bedeutet, dass Sie nicht in das Innere des zu nutenden Rohrs greifen dürfen, um die Gefahr des Verfängens, Schneidens, Quetschens und anderer Verletzungen zu verringern.



Dieses Symbol bedeutet, dass zum Betrieb der Maschine immer ein Fußschalter zu verwenden ist, um Verletzungen zu vermeiden.

Allgemeine Sicherheits- und Warnhinweise für Elektrowerkzeuge

WARNUNG

Lesen Sie alle Sicherheitswarnungen, Anweisungen, Illustrationen und Spezifikationen in Zusammenhang mit diesem Elektrowerkzeug. Die Nichtbeachtung der nachfolgenden Anweisungen kann zu Stromschlag, Brand und/oder schweren Verletzungen führen.

ALLE WARNUNGEN UND ANWEISUNGEN ZUR SPÄTEREN EINSICHT AUFBEWAHREN!

Der im folgenden Text verwendete Begriff „Elektrowerkzeug“ bezieht sich auf netzbetriebene Elektrowerkzeuge (mit Netzkabel) und akkubetriebene Elektrowerkzeuge (ohne Netzkabel).

Sicherheit im Arbeitsbereich

- **Halten Sie Ihren Arbeitsbereich sauber, und sorgen Sie für eine gute Beleuchtung.** Unordentliche und unzureichend beleuchtete Arbeitsbereiche erhöhen das Unfallrisiko.
- **Verwenden Sie Elektrowerkzeuge nicht in explosionsgefährlichen Umgebungen mit leicht entflammaren Flüssigkeiten, Gasen oder Staub.** Elektrowerkzeuge erzeugen im Betrieb Funken, durch die sich Staub oder Brandgase leicht entzünden können.

- **Sorgen Sie beim Betrieb eines Elektrowerkzeugs dafür, dass sich keine Kinder oder sonstige Unbeteiligte in dessen Nähe befinden.** Bei Ablenkungen kann die Kontrolle über das Gerät verloren gehen.

Sicherheit von Personen

- **Seien Sie beim Betrieb eines Elektrowerkzeugs immer aufmerksam und verantwortungsbewusst. Verwenden Sie ein Elektrowerkzeug nicht unter Einfluss von Drogen, Alkohol oder Medikamenten.** Durch einen kurzen Moment der Unaufmerksamkeit können Sie sich selbst oder anderen erhebliche Verletzungen zufügen.
- **Tragen Sie immer persönliche Schutzkleidung. Immer einen Augenschutz tragen.** Das Tragen einer Schutzausrüstung, wie Staubmaske, rutschfeste Sicherheitsschuhe, Schutzhelm oder Gehörschutz, verringert das Risiko von Verletzungen und ist daher unbedingt erforderlich.
- **Verhindern Sie, dass Elektrowerkzeuge unbeabsichtigt eingeschaltet werden. Überprüfen Sie vor dem Einstecken des Steckers in die Steckdose und/oder des Anschließens eines Akkus, dem Aufheben oder Tragen des Werkzeugs, ob der Schalter in Position OFF (Aus) steht.** Wenn Sie beim Tragen von Elektrowerkzeugen Ihren Finger auf dem Schalter halten oder den Stecker einstecken, während der Schalter auf EIN steht, besteht Unfallgefahr.

- **Entfernen Sie sämtliche Einstellwerkzeuge oder Schraubenschlüssel, bevor Sie den Schalter des Elektrowerkzeugs auf EIN stellen.** Ein Werkzeug oder Schlüssel, der sich in einem drehenden Geräteteil befindet, kann zu Verletzungen führen.
- **Lehnen Sie sich nicht zu weit in eine Richtung. Sorgen Sie stets für ein sicheres Gleichgewicht und einen festen Stand.** Dadurch können Sie das Gerät in unerwarteten Situationen besser kontrollieren.
- **Tragen Sie geeignete Kleidung. Tragen Sie keine weiten Kleidungsstücke oder Schmuck. Halten Sie Haare und Kleidung von bewegenden Teilen fern.** Weite Kleidung, Schmuck oder lange Haare können von bewegten Teilen erfasst werden.
- **Lassen Sie sich durch die Tatsache, dass Sie durch häufige Benutzung mit einem Werkzeug vertraut sind, nicht dazu verleiten, nachlässig zu werden und Sicherheitsprinzipien für den Umgang mit Werkzeugen zu ignorieren.** Eine unbedachte Handlung kann innerhalb von Sekundenbruchteilen schwere Verletzungen verursachen.

Sachgemäßer Umgang mit Elektrowerkzeugen

- **Wenden Sie bei Verwendung des Elektrowerkzeugs keine Gewalt an. Verwenden Sie das korrekte Elektrowerkzeug für Ihre Anwendung.** Mit dem richtigen Elektrowerkzeug wird die anstehende Aufgabe effektiver und sicherer und in der richtigen Geschwindigkeit ausgeführt.
- **Verwenden Sie das Elektrowerkzeug nicht, wenn es sich nicht mit dem Schalter ein- und ausschalten lässt.** Ein Elektrowerkzeug, das sich nicht über den Schalter ein- und ausschalten lässt, stellt eine Gefahrenquelle dar und muss repariert werden.
- **Ziehen Sie den Stecker aus der Steckdose und/oder entfernen Sie den Akku (sofern er sich herausnehmen lässt) aus dem Elektrowerkzeug, bevor Sie Einstellungen vornehmen, Zubehörteile wechseln oder das Werkzeug lagern.** Durch solche Vorsichtsmaßnahmen wird der unbeabsichtigte Start des Elektrowerkzeugs verhindert.
- **Bewahren Sie unbenutzte Werkzeuge außerhalb der Reichweite von Kindern auf und lassen Sie Personen, die mit dem Werkzeug nicht vertraut sind oder diese Anweisungen nicht gelesen haben, das Werkzeug nicht benutzen.** Elektrowerkzeuge sind gefährlich, wenn Sie von unerfahrenen Personen benutzt werden.
- **Elektrowerkzeuge und Zubehör warten. Stellen Sie sicher, dass sich alle beweglichen und festen Teile in der richtigen Position befinden, keine Teile gebrochen sind oder sonstige Fehler vorliegen, um den reibungslosen Betrieb des Elektrowerkzeugs sicherzustellen.**

Bei Beschädigungen muss das Elektrowerkzeug vor einer erneuten Verwendung zunächst repariert werden. Viele Unfälle werden durch schlecht gewartete Elektrowerkzeuge verursacht.

- **Verwenden Sie Elektrowerkzeug, Zubehör, Einsatzwerkzeuge usw. entsprechend diesen Anweisungen und unter Berücksichtigung der Arbeitsbedingungen und der auszuführenden Tätigkeit.** Wenn Elektrowerkzeuge nicht vorschriftsmäßig verwendet werden, kann dies zu gefährlichen Situationen führen.
- **Halten Sie Griffe und Griffflächen trocken, sauber und frei von Ölen und Fetten.** Rutschige Griffe und Griffflächen verhindern eine sichere Handhabung und Kontrolle des Werkzeugs in unerwarteten Situationen.

Wartung

- **Lassen Sie Ihr Elektrowerkzeug nur von qualifiziertem Fachpersonal und nur mit Original-Ersatzteilen reparieren.** Dadurch bleibt die Sicherheit des Elektrowerkzeugs gewährleistet.

Spezifische Sicherheitsinstruktionen

⚠ WARNUNG

Dieser Abschnitt enthält wichtige Sicherheitshinweise, die speziell für dieses Werkzeug gelten. Lesen Sie vor dem Gebrauch des 918 Rollnutgeräts diese Sicherheitshinweise sorgfältig durch, um die Gefahr eines Stromschlags oder anderer ernsthafter Verletzungen zu vermeiden.

ALLE WARNUNGEN UND ANWEISUNGEN ZUR SPÄTEREN EINSICHT AUFBEWAHREN!

Bewahren Sie diese Bedienungsanleitung bei der Maschine auf, damit sie dem Bediener jederzeit zur Verfügung steht.

Sicherheit bei Rollnutgeräten

- **Halten Sie Ihre Hände von den Nutrollen fern.** Tragen Sie keine locker sitzenden Handschuhe. Finger können zwischen Nutrollen, Nutrolle und Rohr oder zwischen Rohr und Stabilisatorrad gequetscht werden.
- **Halten Sie Ihre Hände weg von den Rohrenden. Greifen Sie nicht in das Rohrinne. Berühren Sie während des Betriebs nicht die Nut.** Grate und scharfe Kanten können Ihre Hände erfassen und schneiden. Finger können zwischen Nutrollen oder zwischen Nutrolle und Rohr gequetscht werden.
- **Entfernen Sie nicht die Schutzvorrichtungen. Betreiben Sie das Rollnutgerät nicht, wenn die Schutzvorrichtung entfernt ist.** Der Kontakt mit Nutrollen kann zu einem Verfangen und schweren Verletzungen führen.

- **Nutzen Sie nur Rohre, die mindestens 8 Zoll (200 mm) lang sind.** Wenn Sie ein kürzeres als das angegebene Rohr nutzen, kann dies zu einem Verfangen und Quetschungen führen.
- **Tragen Sie bei der Bedienung von Maschinen keine weite Kleidung. Hemdsärmel und Jacken müssen zugeknöpft sein. Nicht über die Maschine oder das Rohr greifen.** Kleidung kann sich im Rohr oder in der Maschine verfangen.
- **Benutzen Sie dieses Rollnutgerät nur dann mit einem elektrischen Antrieb oder einer Gewindeschneidmaschine, wenn diese über einen Fußschalter verfügen. Blockieren Sie den Fußschalter niemals in eingeschalteter Stellung (ON), sodass er die Maschine nicht mehr ordnungsgemäß steuert.** Ein Fußschalter bietet bessere Kontrolle, da Sie den Motor der Maschine durch Entfernen des Fußes abschalten können. Wenn Sie sich verfangen und der Motor weiterhin mit Strom versorgt wird, werden Sie in die Maschine gezogen. Diese Maschine besitzt ein hohes Drehmoment und kann Kleidung so stark um einen Arm oder andere Körperteile schnüren, dass Knochen gequetscht oder gebrochen bzw. Stoß- und andere Verletzungen verursacht werden können.
- **Stellen Sie sicher, dass das Rollnutgerät, das Rohr, die Ständer und die Maschine stabil stehen.** Stellen Sie sicher, dass das Rollnutgerät richtig aufgestellt und gesichert ist. Dadurch wird ein Umkippen des Geräts und des Rohrs verhindert. **Stützen Sie das Rohr korrekt ab.** Dadurch wird ein Umkippen des Rohrs und des Geräts verhindert.
- **Bereiten Sie das Rohr ordnungsgemäß vor und handhaben Sie es richtig.** Grate und scharfe Kanten können Ihre Hände erfassen und schneiden.
- **Arbeitsablauf, Maschinenbetrieb und Fußschalter sind von einer Person zu bedienen.** Nur der Bediener sollte sich im Arbeitsbereich aufhalten, wenn die Maschine läuft. Dies trägt zur Reduzierung des Verletzungsrisikos bei.
- **Beschränken oder sperren Sie den Zugang zum Arbeitsbereich, wenn das Werkstück über die Maschine hinaus ragt, sodass ein Abstand von mindestens einem Meter (3 Fuß) zum Werkstück gegeben ist.** Durch Beschränkung des Zugangs oder Absperrung des Arbeitsbereichs um das Werkstück wird das Risiko des Verfangens reduziert.
- **Verwenden Sie nur elektrische Antriebe und Gewindeschneidmaschinen, die mit weniger als 58 U/min betrieben werden.** Maschinen mit höherer Drehzahl erhöhen das Verletzungsrisiko.
- **Tragen Sie beim Einrichten und Verwenden des Rollnutgeräts immer eine geeignete persönliche Schutzausrüstung.** Geeignete persönliche Schutzausrüstung

umfasst immer einen Augenschutz und kann auch Ausrüstung wie eng anliegende Lederhandschuhe und Schuhe mit Stahlkappen umfassen.

- **Verwenden Sie das Rollnutgerät nur zum Nuten von Rohren der empfohlenen Größen und Typen gemäß dieser Anleitung.** Bei anderen Arten der Verwendung oder bei Veränderung dieses Rollnutgeräts für andere Zwecke kann sich das Verletzungsrisiko erhöhen.
- **Vor dem Betrieb des Rollnutgeräts lesen und verstehen Sie Folgendes:**
 - Diese Bedienungsanleitung
 - Die Bedienungsanleitung für den elektrischen Antrieb oder die Gewindeschneidmaschine
 - Die Installationsanweisungen des Fitting-Herstellers
 - Die Anweisungen für jedes mit diesem Werkzeug verwendeten Materials und Ausrüstung.

Die Nichtbefolgung der Anweisungen und Warnungen kann zu Sachschäden und/oder schweren Verletzungen führen.

RIDGID Kontaktinformationen

Wenn Sie Fragen zu diesem RIDGID®-Produkt haben:

- Wenden Sie sich an Ihren örtlichen RIDGID Händler.
- Einen RIDGID Kontaktpunkt in Ihrer Nähe finden Sie auf RIDGID.com.
- Wenden Sie sich an die Abteilung Technischer Kundendienst von Ridge Tool unter rtctechservices@emerson.com oder in den USA und Kanada telefonisch unter (800) 519-3456.

Beschreibung

Das RIDGID® 918 Rollnutgerät ist für das Formen von Rollnuten in Stahl, Edelstahl, Aluminium, PVC-Rohren und Kupferrohren ausgelegt. Die Nuten werden gebildet, indem die Nutrolle hydraulisch in das Rohr vorgeschoben wird, das von der Antriebsrolle unterstützt wird.

Das 918 Rollnutgerät enthält typischerweise zwei Nut- und Antriebsrollensätze zum Nuten von Rohren:

- 2 bis 6 Zoll Schedule 10 und 40 Stahlrohr
- 8 bis 12 Zoll Schedule 10 und 8 Zoll Schedule 40 Stahlrohr

Andere Materialien können nutgeschnitten werden - siehe Tabellen im Anhang. Für andere Größen und Kupferrohre werden andere Nut- und Antriebswellensätze benötigt.

Mit einer zweistufigen hydraulischen Handpumpe wird die Nutrolle in das Rohr vorgeschoben, um Nuten zu formen. Eine Einstellmutter zur Kontrolle des Nutdurchmessers ist im Lieferumfang enthalten.

Ein einstellbarer Stabilisator hilft, die Nachführung und Kontrolle des Rohrs während des Nutens beizubehalten, insbesondere bei Rohrlängen, die die Mindestrohrlänge von 8 Zoll knapp überschreiten.

Das Rollnutgerät kann von einer Vielzahl von RIDGID-Maschinen angetrieben werden. Für jede Maschine werden unterschiedliche Montagesätze benötigt.

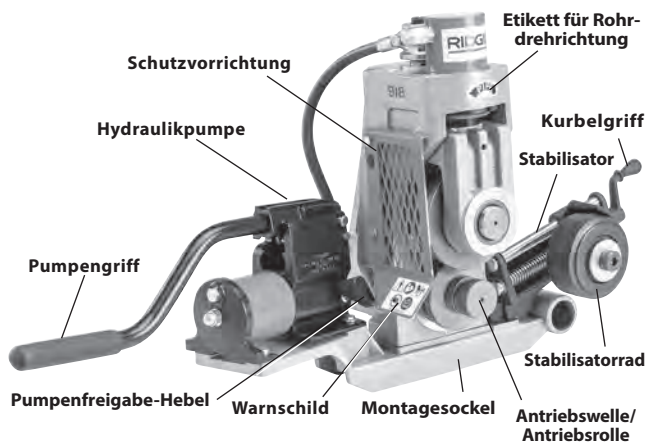


Abbildung 1A - 918 Rollnutgerät

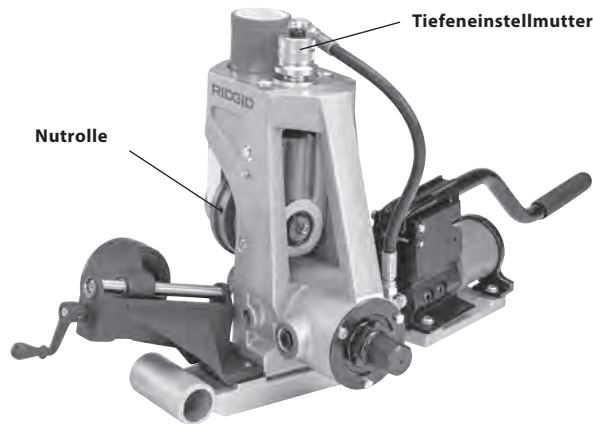


Abbildung 1B - 918 Rollnutgerät

Technische Daten

Werkstoffe, RohreStahl, Edelstahl, Aluminium und PVC

Kapazität

Standardnut

-rollensätze2 bis 6 Zoll Schedule 10 und 40 Stahlrohr

Optionale Nut

-rollensätze.....8 bis 12 Zoll Schedule 10 und 8 Zoll Schedule 40* Stahlrohr
1¼ Zoll bis 1-½ Zoll Schedule 10 und 40 Stahlrohr

2 bis 6 Zoll Kupferrohr
(Typ K, L, M, und DWV)
Für andere Werkstoffe und
Wandstärken siehe Tabelle I, II und III

Tiefeneinstellung.....Tiefeneinstellmutter

Betätigung.....2-stufige hydraulische Handpumpe

Stabilisator.....Manuell eingestellt,
für 2 ½ bis 12 Zoll Rohr

Montagesockel

Erhältlich.....RIDGID 300 elektrischer Antrieb
RIDGID 1224 Gewindeschneid-
maschine
RIDGID 535A/M Gewindeschneid-
maschine
RIDGID 300 Compact/
1233 Gewindeschneidmaschine

Gewicht (918, 300 PD-Sockel,
Stabilisator) 82 lbs. (37 kg)

Abmessungen (918, 300 PD-Sockel,
Stabilisator) (BxTxH..... 35 Zoll x 14 Zoll x 17.5 Zoll
(889 mm x 356 mm x 445 mm)

*Nicht zum Nuten von 8 Zoll Schedule 40 Stahlrohren verwenden, die härter als 150 Brinell (BHN) sind. Dies kann zu unsachgemäß geformten/außerhalb der Spezifikation liegenden Nuten führen.

HINWEIS Bei ordnungsgemäßer Verwendung ist das Modell 918 Rollnutgerät für die Herstellung von Nuten in Rohren von 1 Zoll bis 12 Zoll ausgelegt, die in ihren Abmessungen den Spezifikationen der AWWA C606-15 entsprechen. Bei unsachgemäßer Verwendung dieses Geräts können Nuten außerhalb der Spezifikation entstehen und das Rohr und das Gerät beschädigt werden.

Für die Auswahl der geeigneten Materialien, sowie der Verbindungsmethoden ist der Systemdesigner und/oder Installateur verantwortlich. Bevor eine Installation unternommen wird, sollte eine sorgfältige Bewertung der spezifischen Betriebsumgebung, einschließlich der chemischen Umgebung und der Betriebstemperatur, durchgeführt werden. Die Auswahl ungeeigneter Materialien und Methoden kann zu Systemausfällen führen.

Edelstahl und andere korrosionsbeständige Materialien können bei Installation, Zusammenfügen und Formen kontaminiert werden. Diese Kontamination könnte zu Korrosion und vorzeitigem Ausfall führen. Eine sorgfältige Bewertung der Materialien und Methoden für die speziellen Einsatzbedingungen, einschließlich chemischer Bedingungen und Temperatur, sollte erfolgen, bevor eine Installation versucht wird.

Standardausstattung

Einzelheiten über das Zubehör, das mit bestimmten Maschinen geliefert wird, finden Sie im RIDGID-Katalog.

Zusammenbau

⚠️ WARNUNG

Die folgenden Anweisungen sind bei der Montage des Geräts zu beachten, um Verletzungen während des Gebrauchs zu vermeiden.

Montage des 918 an Sockeln für verschiedene Maschinen

1. Montieren Sie das 918 auf einem geeigneten Maschinensockel und richten Sie es an den 1/2 Zoll-Löchern aus. Montieren Sie bei der Montage auf dem 1224 Sockel die Distanzplatte zwischen Sockel und 918. Setzen Sie zwei 1/2 Zoll-Bolzen von der Unterseite des Sockels ein und ziehen Sie sie mit einem 3/4 Zoll-Schlüssel fest.
2. Montieren Sie die Hydraulikpumpe auf dem Sockel und sichern Sie sie mit vier 1/4 Zoll-Bolzen, ziehen Sie sie mit einem 7/16 Zoll-Schlüssel fest. Beim 1224 Sockel muss die Pumpenhalterung am Sockel montiert und die Pumpe an der Pumpenhalterung befestigt werden.
3. Montieren Sie den Stabilisator am Sockel. Stecken Sie zwei 3/8 Zoll-Schrauben durch den Sockel und ziehen Sie sie mit dem 5/16 Zoll-Sechskantschlüssel fest.
4. Beim 1233/300 Compact befestigen Sie die Schienenklemme lose an der Unterseite des Sockels.
5. Einzelheiten siehe Abbildungen.

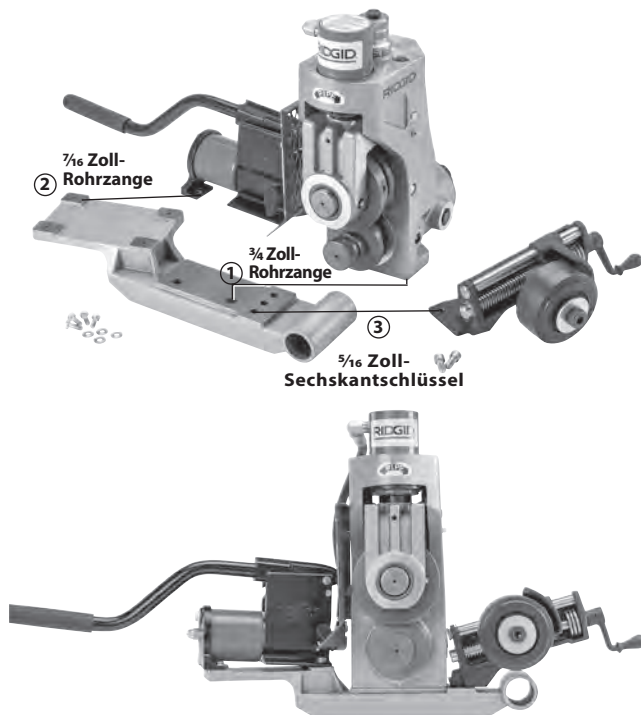


Abbildung 2 - Montage des 918 an den 300 PD-Sockel

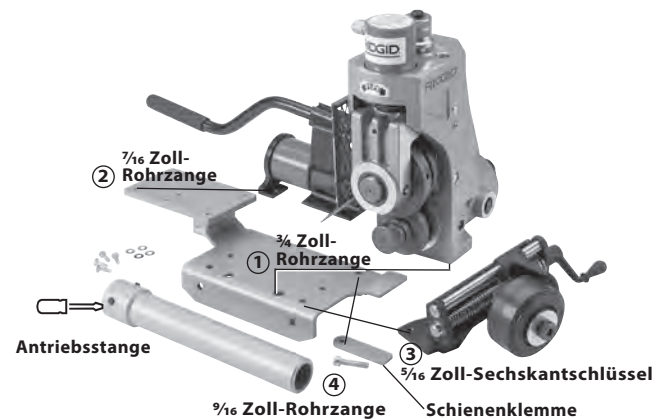


Abbildung 3 - Montage des 918 an den 300 Compact/1233-Sockel

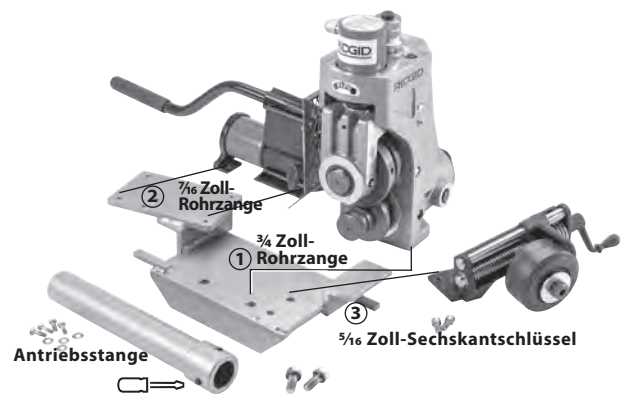


Abbildung 4 - Montage des 918 an den 535-Sockel

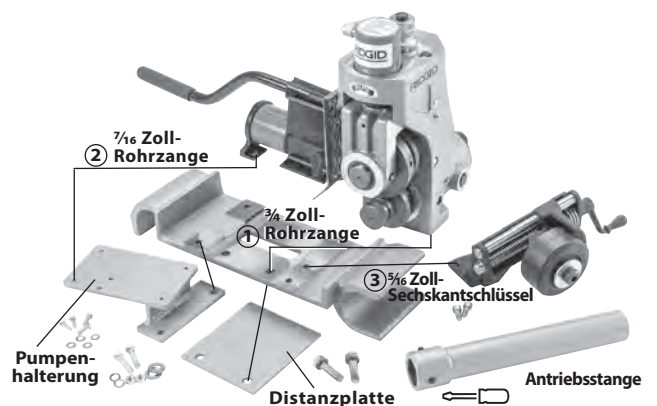


Abbildung 5 - Montage des 918 an den 1224-Sockel

Inspektion vor der Benutzung

⚠️ WARNUNG



Benutzen Sie dieses Rollnutgerät nur dann mit einem elektrischen Antrieb oder einer Gewindeschneidmaschine, wenn diese über einen Fußschalter verfügen.

Kontrollieren Sie Ihr Rollnutgerät vor jeder Benutzung und beheben Sie etwaige Probleme, um die Verletzungsgefahr durch Quetschverletzungen und andere Ursachen zu reduzieren und Beschädigungen des Rollnutgeräts zu vermeiden.

1. Wenn es an einer Maschine installiert ist, stellen Sie den Maschinenschalter in die Position OFF (Aus) und ziehen Sie den Netzstecker.
2. Reinigen Sie das Rollnutgerät einschließlich des Pumpengriffs und Stabilisatorkurbelgriffs von Öl, Fett und Schmutz. Dies erleichtert die Inspektion und hilft, zu vermeiden, dass Gerät oder Bedienelemente Ihnen aus den Händen gleiten.
3. Überprüfen Sie das Rollnutgerät auf Folgendes:
 - Korrekte Montage, Wartung und Vollständigkeit.
 - Gebrochene, verschlissene, fehlende, falsch eingestellte oder klemmende Teile.
 - Hydraulische Lecks. Öl auf dem Rollnutgerät kann auf ein hydraulisches Leck hinweisen.
 - Vorhandensein und Zustand der Schutzvorrichtung (Siehe Abbildung 1). Betreiben Sie das Rollnutgerät nicht, wenn die Schutzvorrichtung entfernt ist.
 - Vorhandensein und Lesbarkeit des Warnschilds (siehe Abbildung 6).
 - Zustand der Nutrolle und Antriebsrolle. Wenn die Rändelungen der Antriebsrolle verschmutzt sind, reinigen Sie sie mit einer Drahtbürste. Verschmutzte oder verschlissene Rändelungen können beim Nuten zu Rohrschlupf und Nachführungsproblemen führen..
 - Zustand des Stabilisatorrads. Bei Bedarf austauschen.
 - Umstände, die einen sicheren und normalen Betrieb verhindern könnten.
 - Wenn Probleme festgestellt werden, benutzen Sie das Rollnutgerät erst, wenn die Probleme behoben sind.



Abbildung 6 – Warnschild

4. Kontrollieren und warten Sie alle anderen verwendeten Ausrüstungsteile gemäß der jeweiligen Anleitung, um sicherzustellen, dass sie in funktionsfähigem Zustand sind. Vergewissern Sie sich, dass der elektrische Antrieb oder die Gewindeschneidmaschine über einen einwandfrei funktionierenden Fußschalter verfügt.

Vorbereiten von Maschine und Arbeitsbereich

⚠️ WARNUNG



Richten Sie das Rollnutgerät und den Arbeitsbereich gemäß dieser Anweisungen ein, um die Verletzungsgefahr durch Umkippen der Maschine, Quetschungen oder andere Ursachen zu reduzieren und zur Vermeidung von Beschädigungen der Maschine beizutragen.

Beachten Sie das Gewicht des Geräts. Verwenden Sie beim Heben oder Bewegen geeignete Methoden.

Befestigen Sie das Rollnutgerät am elektrischen Antrieb oder an der Gewindeschneidmaschine. Stützen Sie das Rohr ausreichend ab. So wird die Gefahr, dass das Rohr herunterfällt oder dass die Maschine kippt und schwere Verletzungen verursacht, reduziert.

1. Verwenden Sie einen Arbeitsbereich, der Folgendes aufweist:
 - Ausreichende Beleuchtung.
 - Freien, sauberen, ebenen, stabilen und trockenen Arbeitsplatz für die gesamte Ausrüstung und den Bediener. Reinigen Sie eventuell vorhandenes Öl.

- Untersuchen Sie das zu nutende Rohr und bestimmen Sie das richtige Werkzeug für die Aufgabe, siehe *Technische Daten*. Nutgeräte für andere Anwendungen finden Sie im RIDGID-Katalog, online unter RIDGID.com. Verwenden Sie das Nutgerät nur zum Nuten in gerade Rohlinge. Nuten Sie keine Rohre mit Vorsprüngen oder Abgängen wie T-Stücke oder Bögen. Das führt zu einer erhöhten Gefahr des Verfangens.
- Vergewissern Sie sich, dass die zu verwendende Ausrüstung ordnungsgemäß überprüft und montiert wurde. Vergewissern Sie sich, dass der richtige Nutrollensatz für die Anwendung im Rollnutgerät installiert ist.

HINWEIS Die Verwendung von Rollensätzen (Nutrolle und Antriebsrolle) sowohl bei Kohlenstoff- als auch bei Edelstahlrohren kann zu einer Verunreinigung des Edelstahlmaterials führen. Diese Kontamination könnte zu Korrosion und vorzeitigem Ausfall des Rohrs führen. Um eisenhaltige Verunreinigungen von Edelstahlrohren zu vermeiden, verwenden Sie Rollensätze, die speziell für das Nuten von Edelstahl vorgesehen sind. Alternativ kann mit einer Edelstahldrahtbürste der Rollensatz beim Wechsel zwischen Werkstoffen gründlich gereinigt werden.

- Stellen Sie den elektrischen Antrieb oder die Gewindeschneidmaschine gemäß Anleitung auf einem ebenen Bereich auf. Vergewissern Sie sich, dass der Schalter REV/O-OFF/FOR (Rückwärts/Aus/Vorwärts) auf OFF (Aus) steht.

Wenn Sie das 918 mit einer 535A Maschine (Automatikspannfutter) verwenden, wird empfohlen, die Maschine so zu konfigurieren, dass die Spannbacken das Rohr während der REV-Drehung (Rückwärtsdrehung) der Maschine greifen. Dadurch kann der Stabilisator beim Nuten verwendet werden. *Siehe Handbuch für 535 Automatikspannfutter, Abschnitt Linksgewinde* für Informationen zur Konfiguration der Spannbacken, um das Rohr während der REV-Drehung (Rückwärtsdrehung) der Maschine zu greifen.

- Installieren Sie das 918 an einem elektrischen Antrieb/ an einer Gewindeschneidmaschine - *Siehe Abschnitt zum Einrichten an spezifischen Ausrüstungen*. Vergewissern Sie sich, dass das Gerät sicher und stabil ist.
- Positionieren Sie den Fußschalter für den ordnungsgemäßen Betrieb wie in *Abbildung 18* gezeigt.
- Nachdem das 918 ordnungsgemäß installiert wurde, schließen Sie die Maschine mit trockenen Händen an eine geeignete Steckdose an, wie in der Anleitung beschrieben.

Installation des 918 am 300 elektrischen Antrieb

- Vergewissern Sie sich, dass das 918 und der Sockel richtig zusammengebaut sind.
- Entfernen Sie Schlitten oder andere Anbauteile von den Tragarmen des 300 elektrischen Antriebs. Vergewissern

Sie sich, dass die Tragarme des elektrischen Antriebs vollständig ausgefahren und in ihrer Position fixiert sind.

- Öffnen Sie vollständig das vordere Spannfutter des elektrischen Antriebs.
- Schieben Sie die Öffnung im Sockel (Stabilisatorseite) über den hinteren Tragarm und senken Sie die Pumpe auf den vorderen Tragarm ab (*Abbildung 7A*).
- Bewegen Sie den Sockel in Richtung des 300 elektrischen Antriebs.
- Zentrieren Sie die Antriebswelle im Spannfutter der Maschine. Richten Sie die Abflachungen der Antriebswelle mit den Spannbacken der Maschine aus.
- Ziehen Sie das vordere Spannfutter auf den Flächen der Antriebswelle fest an. *Siehe Abbildung 7B*.



Abbildung 7A - Installation des 918 am 300 elektrischen Antrieb

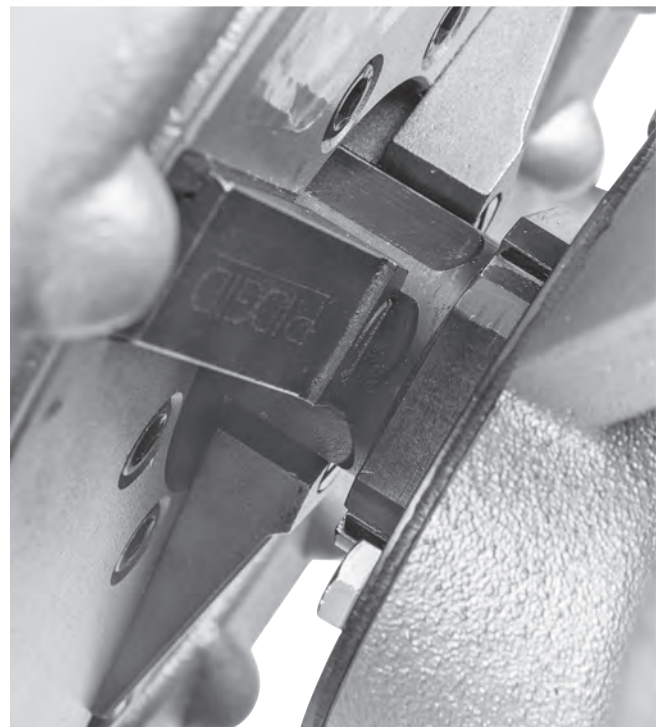


Abbildung 7B - Sichern der Antriebswelle im Spannfutter

Installation des 918 an 300 Compact/ 1233 - Gewindeschneidmaschinen

Wenn die Gewindeschneidmaschinen 300 Compact oder 1233 auf geraden Rohrfüßen im Maschinensockel montiert sind, dürfen sie nicht mit dem 918 Rollnutgerät verwendet werden. Der Aufbau ist möglicherweise nicht stabil genug für die Einstechkräfte. Für diese Verwendung sind Rohrfüße mit Füßen erhältlich, die für eine bessere Stabilität sorgen (Katalognummer 56532). *Siehe Abbildung 8A* für die richtige Ausrichtung der Beine. Die 10 mm-Bolzen werden durch die Löcher im Bein geführt, um den Fuß des Beins richtig auszurichten.

Das 918 Rollnutgerät kann nicht mit Maschinen verwendet werden, die auf dem 250 Klappständer montiert sind. Der Ständergriff stört das zu schneidende Rohr. Das 918 mit dem entsprechenden Sockel kann mit den 100A/150A/200A Ständern verwendet werden.

1. Vergewissern Sie sich, dass das 918 ordnungsgemäß auf dem richtigen Sockel für die Maschine, mit der es verwendet werden soll, montiert ist.
2. Positionieren Sie den Maschinenschlitten in Richtung des vorderen Spannftters und schwenken Sie die auf dem Schlitten montierten Werkzeuge nach oben und weg vom Bediener. Positionieren Sie den Innenrohrfräser im Inneren des Gewindeschneidkopfes, um ihn zu sichern und das Risiko einer Berührung zu verringern.
3. Öffnen Sie vollständig das vordere Spannftter der Gewindeschneidmaschine. Setzen Sie die Antriebsstange in das Spannftter der Maschine ein, aber sichern Sie sie zu diesem Zeitpunkt noch nicht.
4. Setzen Sie den offenen Schlitz (Pumpenseite) des Sockels über die vordere Schlittenschiene (*Abbildung 8B*) und senken Sie den Stabilisator auf die hintere Schlittenschiene ab.
5. Setzen Sie die Antriebsstange über die Abflachungen der Antriebswelle. Richten Sie die Abflachungen der Antriebswelle mit den Gewindestiften in der Antriebsstange aus und ziehen Sie die Gewindestifte fest an.
6. Wenn das 918 am Ende der Gewindeschneidmaschine positioniert ist, ziehen Sie das vordere Spannftter der Maschine an der Antriebsstange fest. *Siehe Abbildung 8C*.
7. Legen Sie die Schienenklemme unter die hintere Schlittenschiene und sichern Sie sie. *Siehe Abbildung 8D*.

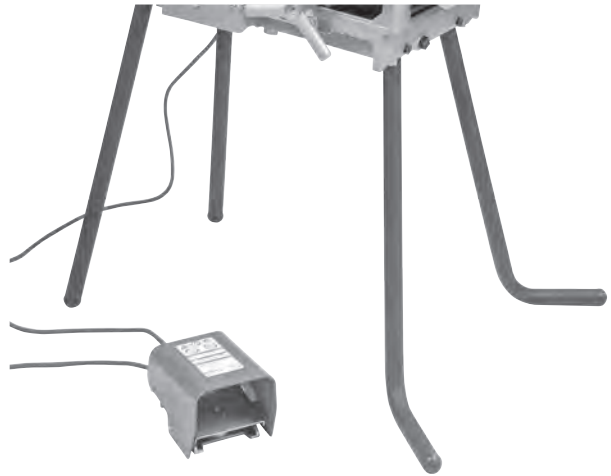


Abbildung 8A - Katalognummer 56532 Füße mit Fußmontage

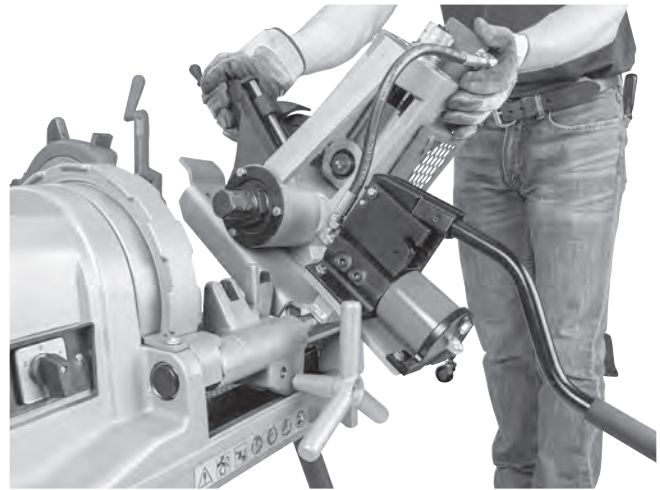


Abbildung 8B - Installation des 918 auf der 1233 Gewindeschneidmaschine

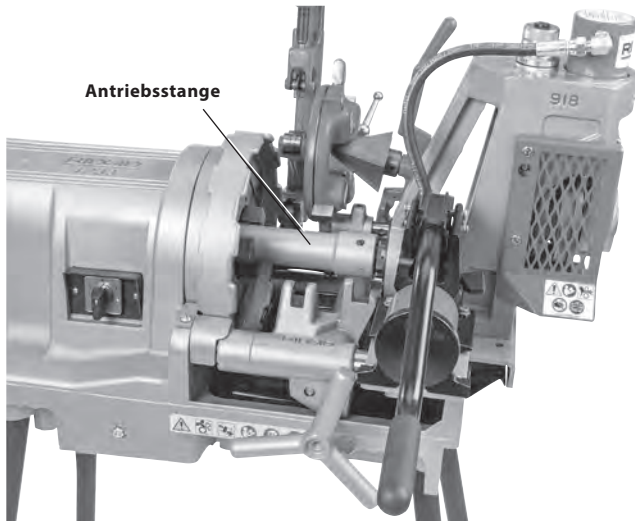


Abbildung 8C - Installation der Antriebsstange

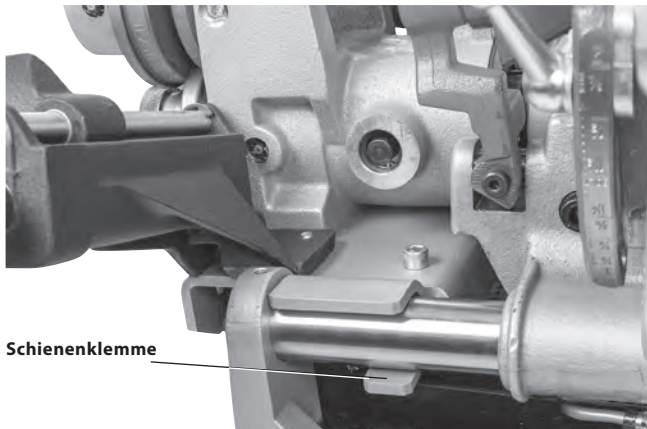


Abbildung 8D - Installation der Schienenklemme

Installation an 535 und 1224 Gewindeschneidmaschinen

Generell kann das 918 bei den Maschinen 535 und 1224 mit der Antriebsstange installiert werden, es kann aber auch separat installiert werden, wie bei den Maschinen 300 Compact/1233 (siehe diesen Abschnitt).

Bei Verwendung mit einer 535 Automatikspannfutter-Gewindeschneidmaschine stellen Sie die Maschine so ein, dass die Spannbacken das Rohr während der Rückwärtsdrehung der Maschine greifen, wie im Abschnitt *Linksgewindeschneiden* der Bedienungsanleitung für die 535 Gewindeschneidmaschine beschrieben.

1. Vergewissern Sie sich, dass das 918 ordnungsgemäß auf dem richtigen Sockel für die Maschine, mit der es verwendet werden soll, montiert ist. Befestigen Sie die Antriebsstange sicher an der Antriebswelle.
2. Positionieren Sie den Maschinenschlitten in Richtung des vorderen Spannfutters und schwenken Sie die auf dem Schlitten montierten Werkzeuge nach oben und weg vom Bediener. Positionieren Sie den Innenrohrfräser im Inneren des Gewindeschneidkopfes, um ihn zu sichern und das Risiko einer Berührung zu verringern.
3. Öffnen Sie vollständig das vordere Spannfutter der Gewindeschneidmaschine.
4. Legen Sie mit dem Ende der Antriebsstange im Spannfutter der Maschine den offenen Schlitz des Sockels (Stabilisatorseite) über die hintere Schlittenschiene und senken Sie die Pumpe auf die vordere Schlittenschiene ab. (Siehe Abbildung 9).

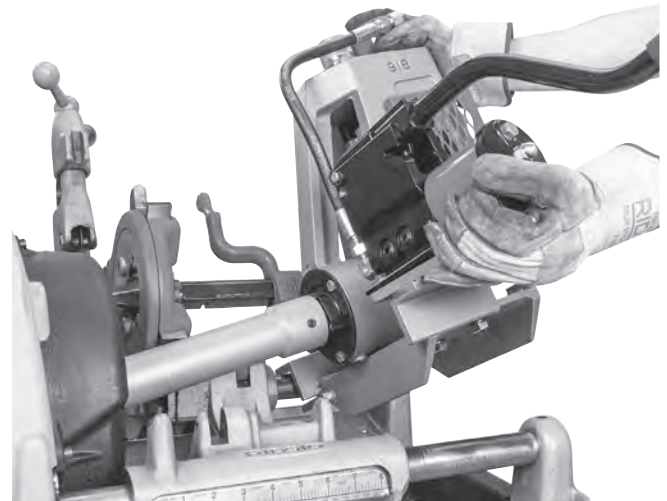


Abbildung 9 - 918 Rollnutgerät auf dem Sockel der 535 Gewindeschneidmaschine

5. Wenn das 918 am Ende der Gewindeschneidmaschine positioniert ist, ziehen Sie das vordere Spannfutter der Maschine an der Antriebsstange fest. Siehe Abbildung 10.

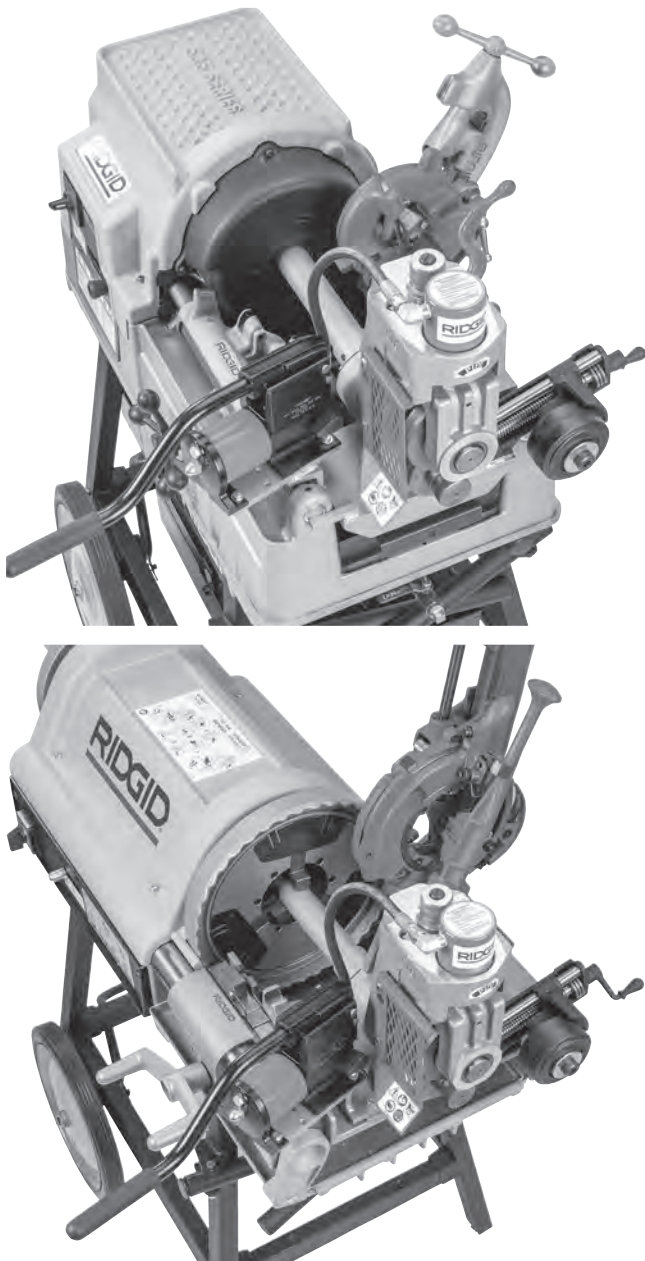


Abbildung 10 - 918 an 535A und 1224 installiert

Betrieb

⚠️ WARNUNG



Halten Sie Ihre Hände von den Nutrollen fern. Tragen Sie keine locker sitzenden Handschuhe. Finger können zwischen Nutrollen, Nutrolle und Rohr oder zwischen Rohr und Stabilisatorrad gequetscht werden.

Halten Sie Ihre Hände von den Rohrenden fern. Greifen Sie nicht in das Rohrinne. Berühren Sie während des Betriebs nicht die Nut, Grate und scharfe Kanten können Ihre Hände erfassen und schneiden. Finger können zwischen Nutrollen oder zwischen Nutrollen und Rohr gequetscht werden.

Entfernen Sie nicht die Schutzvorrichtungen. Betreiben Sie das Rollnutgerät nicht, wenn die Schutzvorrichtung entfernt ist. Der Kontakt mit Nutrollen kann zu einem Verfangen und schweren Verletzungen führen.

Nuten Sie nur Rohre, die mindestens 8 Zoll (200 mm) lang sind. Wenn Sie ein kürzeres als das angegebene Rohr nuten, kann dies zu einem Verfangen und Quetschungen führen.

Benutzen Sie dieses Rollnutgerät nur dann mit einem elektrischen Antrieb oder einer Gewindeschneidmaschine, wenn diese über einen Fußschalter verfügen. Blockieren Sie den Fußschalter niemals in eingeschalteter Stellung (ON), sodass er die Maschine nicht mehr ordnungsgemäß steuert. Ein Fußschalter bietet bessere Kontrolle, da Sie den Motor der Maschine durch Entfernen des Fußes abschalten können. Wenn Sie sich verfangen und der Motor weiterhin mit Strom versorgt wird, werden Sie in die Maschine gezogen. Diese Maschine besitzt ein hohes Drehmoment und kann Kleidung so stark um einen Arm oder andere Körperteile schnüren, dass Knochen gequetscht oder gebrochen bzw. Stoß- und andere Verletzungen verursacht werden können.

Stellen Sie sicher, dass das Rollnutgerät, das Rohr, die Ständer und die Maschine stabil stehen. Stellen Sie sicher, dass das Rollnutgerät richtig aufgestellt und gesichert ist. Dadurch wird ein Umkippen des Geräts und des Rohrs verhindert. Stützen Sie das Rohr korrekt ab. Dadurch wird ein Umkippen des Rohrs und des Geräts verhindert.

Immer einen Augenschutz tragen. Tragen Sie Schuhe mit Stahlkappen, um sich vor kippenden Werkzeugen und herabfallenden Rohren zu schützen.

Richten Sie das Rollnutgerät gemäß dieser Anweisungen ein, um die Verletzungsgefahr durch Umkippen der Maschine, Verfangen, Schläge, Quetschungen und andere Ursachen zu vermeiden und um Schäden am Gerät zu verhindern.

1. Kontrollieren Sie, dass die Maschine und der Arbeitsbereich richtig vorbereitet wurden und der Arbeitsbereich frei von unbeteiligten Personen und anderen Hindernissen ist. Der Bediener sollte die einzige Person sein, die sich während des Betriebs der Maschine im Bereich befindet.
2. Positionieren Sie den Fußschalter für den ordnungsgemäßen Betrieb wie in *Abbildung 18* gezeigt.
3. Prüfen Sie das Rollnutgerät auf ordnungsgemäße Funktion. Halten Sie dabei Ihre Hände von beweglichen Teilen fern:

- Schalten Sie den REV/O-OFF/FOR-Schalter (Rückwärts/Aus/Vorwärts) des elektrischen Antriebs/der Gewindeschneidmaschine in die REV-Position (Rückwärtsdrehung). Betätigen Sie den Fußschalter und geben Sie ihn wieder frei. Die Antriebsrolle muss sich im Uhrzeigersinn drehen (siehe Abbildung 14), entsprechend dem Aufkleber für die Rohrdrehung auf dem Rollnutgerät. Wenn sich das Rollnutgerät nicht in die richtige Richtung dreht oder der Betrieb der Maschine nicht mit dem Fußschalter bedient werden kann, verwenden Sie die Maschine erst, wenn sie repariert wurde.
- Betätigen und halten Sie den Fußschalter. Überprüfen Sie die bewegenden Teile auf falsche Ausrichtung, Klemmen, ungewöhnliche Geräusche oder andere ungewöhnliche Bedingungen. Bestätigen Sie, dass die Maschine mit weniger als 58 U/min dreht. Höhere Drehzahlen können das Verletzungsrisiko erhöhen. Nehmen Sie den Fuß vom Fußschalter. Verwenden Sie die Maschine bei Vorliegen eines ungewöhnlichen Zustands nicht, bis sie repariert wurde.
- Schalten Sie den Schalter REV/O-OFF/FOR (Rückwärts/Aus/Vorwärts) in die Stellung OFF (Aus) und trennen Sie die Maschine mit sauberen Händen vom Netz.

Vorbereitung der Rohre

HINWEIS Dies sind verallgemeinerte Anweisungen. Befolgen Sie stets die spezifischen Empfehlungen des Herstellers der Nutkupplung für die Vorbereitung der Rohrenden. Die Nichtbeachtung dieser Empfehlungen kann zu einem unsachgemäßen Anschluss führen und Lecks verursachen.

1. Beachten Sie die für das Nuten geltenden Rohrspezifikationen. Rohre, die nicht den Spezifikationen entsprechen, können Lecks und andere Probleme verursachen. Die Unrundheit der Rohre darf die Gesamttoleranz für den Außendurchmesser nicht überschreiten, die in den *Standard-Rollnut-Spezifikationen, Tabelle II*, aufgeführt ist.
2. Schneiden Sie das Rohr auf die richtige Länge zu. Beachten Sie die Mindestrohrängen für das Nuten.
 - Rohre mit einem Durchmesser von 5 Zoll und kleiner sollten nicht kürzer als 8 Zoll (200 mm) lang sein.
 - Rohre mit einem Durchmesser von 6 bis 12 Zoll sollten nicht kürzer als 10 Zoll (250 mm) lang sein.
 Das Nuten kürzerer Rohre erhöht die Verletzungsgefahr durch gequetschte Finger und Verfangen.
3. Stellen Sie sicher, dass das Rohrende rechtwinklig und gratfrei geschnitten ist. Grate können beim Nuten Handschuhe oder Finger einklemmen oder schneiden. Das Abschneideverfahren und große Grate können die Qualität der hergestellten Nut und die Nachführung im Rollnutgerät beeinträchtigen. Versuchen Sie nicht, Rohre zu nuten, die mit einem Brenner geschnitten wurden.

4. Entfernen Sie alle inneren/äußeren Schweißperlen, Grate, Nähte, Kalkablagerungen, Schmutz, Rost und andere Verunreinigungen in einem Abstand von mindestens 2 Zoll vom Rohrende. Schneiden Sie keine Flächen in den Dichtungssitzbereich, dies könnte zu Lecks führen. Verunreinigungen können die Antriebsrändel verstopfen und das ordnungsgemäße Antreiben und Nachführen des Rohrs beim Nuten verhindern.

Vorschieben/Zurückfahren der Nutrolle

Die Bewegung der Nutrolle wird von der Hydraulikpumpe gesteuert.

- Um die Nutrolle vorzuschieben, bewegen Sie den Pumpengriff in die Vorschubposition und dann nach oben und unten.
- Um die Nutrolle zurückzufahren, bewegen Sie den Pumpengriff in die Zurückfahrposition. *Siehe Abbildung 11.*

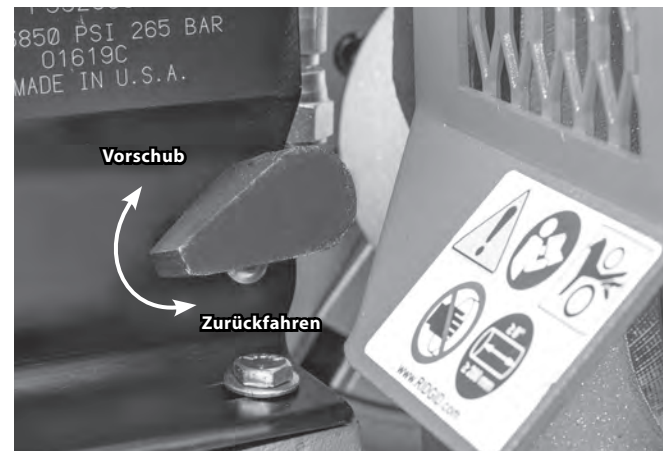


Abbildung 11 - Position des Pumpenfreigabe-Hebels

Einlegen eines Rohrs in das Rollnutgerät

1. Vergewissern Sie sich, dass der Schalter an der Maschine auf OFF (Aus) steht.
2. Fahren Sie die Nutrolle vollständig zurück.
3. Zur Abstützung des Rohres müssen geeignete Rohrständer vorhanden sein. Stellen Sie die Höhe der Rohrständer so ein, dass das Rohr waagrecht liegt und der obere Innendurchmesser des Rohrs auf der Antriebsrolle sitzt (siehe Abbildung 12).

Stellen Sie die Rohrständer direkt vor dem Rollnutgerät auf. Die Platzierung des Rohrständers hängt von der Rohrlänge ab.

Bei kürzeren Rohren (Siehe Diagramm A) wird das Rohr von der Antriebswelle und mindestens einem Ständer getragen. In diesem Fall sollte der Ständer etwas mehr als die halbe Rohrlänge vom Rollnutgerät entfernt aufgestellt werden.

Nenngröße	Min. Länge	Max. Länge	Nenngröße	Min. Länge	Max. Länge
1	8	36	4	8	36
1¼	8	36	4½	8	32
1½	8	36	5	8	32
2	8	36	6 A.D.	10	30
2½	8	36	6	10	28
3	8	36	8	10	24
3½	8	36	10	10	24
4	8	36	12	10	24

Tabelle A - Minimale/maximale Rohrlänge, die mit einem Ständer genutzt werden kann (in Zoll)

Für längere Rohre sollten mindestens zwei Ständer verwendet werden, wobei die beiden Ständer etwa ¼ der Rohrlänge von den Rohrenden entfernt platziert werden. Wenn Sie das Rohr nicht ordnungsgemäß abstützen, kann das Rohr bzw. das Rohr und die Maschine kippen und herunterfallen. Verwenden Sie immer einen Rohrstander - er hilft, das Rohr auszurichten und die richtige Nachführung zu halten.

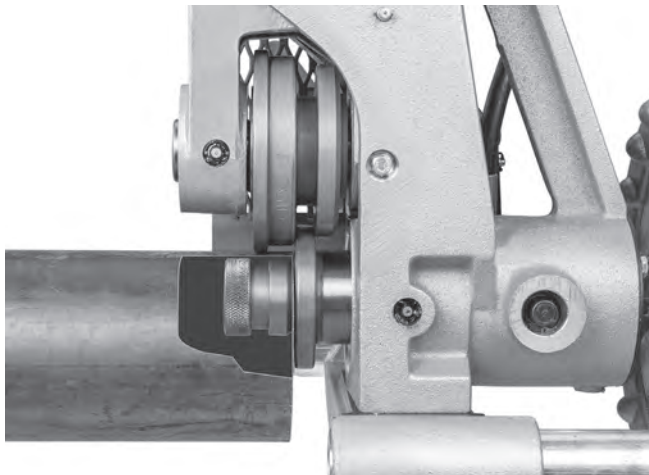


Abbildung 12 - Auflegen des Rohrs über die Antriebswelle, bündig mit dem Antriebswellenflansch (Stabilisator zur Verdeutlichung nicht abgebildet)

- Legen Sie das Rohr auf den/die Ständer, wobei das Rohrende bündig mit dem Antriebswellenflansch abschließt und die Innenseite des Rohrs die Oberseite der Antriebswelle berührt (Abbildung 12). Vergewissern Sie sich, dass das Rohr stabil und sicher liegt.

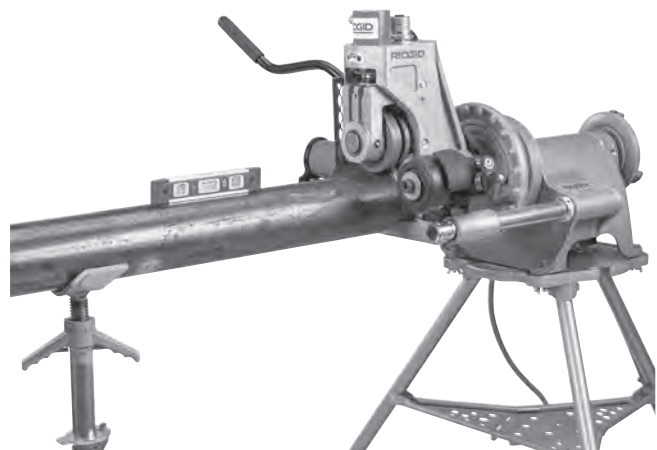


Abbildung 13 - Rohr nivellieren

- Schieben Sie die Nutrolle vor, bis sie das Rohr berührt und leicht ergreift (treiben Sie die Nutrolle nicht in das Rohr).
- Bestätigen Sie die Rohrpositionierung. Wenn das Rohr nicht richtig positioniert ist, wird die Nut möglicherweise nicht richtig geführt.
 - Das Rohrende muss bündig am Antriebswellenflansch anliegen.
 - Die Mittellinie des Rohrs und die Mittellinie der Antriebswelle müssen parallel zueinander verlaufen. Dies kann mit einer Wasserwaage auf der Oberseite des Hydraulikzylinders und auf dem Rohr überprüft werden. *Siehe Abbildung 13.*
 - Das Rollnutgerät/die Maschine muss fest auf dem Boden stehen. Wenn sich die Maschine vom Boden abhebt, ist/sind der/die Rohrstander nicht richtig eingestellt und müssen eingestellt werden.
- Bevorzugter Betrieb - Schalter in REV-Position (Rückwärtsdrehung):** Versetzen Sie Rohr und Rohrstander etwa ½ Grad (etwa 1 Zoll auf 10 Fuß vom Rollnutgerät) zum Bediener hin. Die korrekte Ausrichtung des Rohrs und des Rollnutgeräts hilft, die richtige Nachführung des Rohrs während des Nutens sicherzustellen (*Siehe Abbildung 14*). Dies ist der richtige Versatz für das Nuten mit der Maschine in der Schalterstellung REV (Rückwärtsdrehung) und funktioniert mit dem Stabilisator.

Alternativer Betrieb - Schalter in FOR-Position (Vorwärtsdrehung): Wenn Sie die Maschine in der Schalterstellung FOR (Vorwärtsdrehung) verwenden (z. B. mit einer 535 Automatikspannfutter-Maschine, die nicht für das Greifen in beide Richtungen umgerüstet wurde), dann versetzen Sie das Rohr und die Rohrstander um ca. ½ Grad (ca. 1 Zoll auf 10 Fuß vom Rollnutgerät) weg vom Bediener (*Siehe Abbildung 15*). Der Rohrstander kann nicht in der Schalterstellung FOR (Vorwärtsdrehung) verwendet werden - er kann dazu führen, dass sich das Rohr aus dem Rollensatz herausdreht.

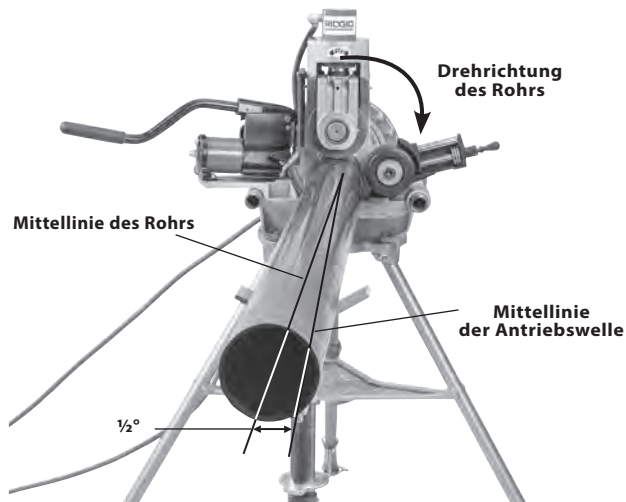


Abbildung 14 - Versetzen des Rohrs um 1/2° in Richtung Bediener, (übertrieben)

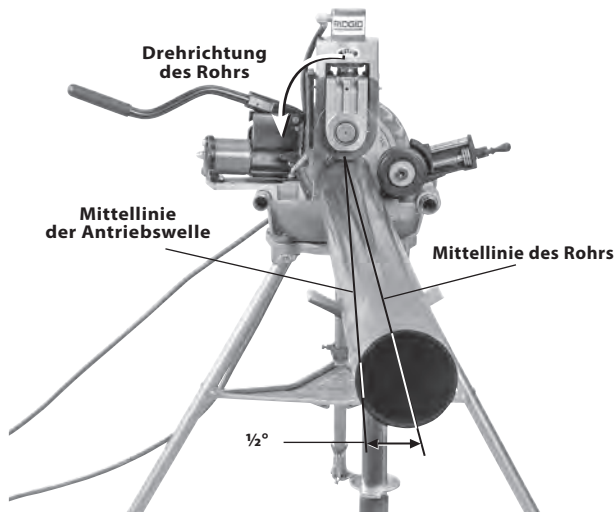


Abbildung 15 - Versetzen des Rohrs um 1/2° vom Bediener weg, (übertrieben)

8. Beschränken Sie den Zugang zum Arbeitsbereich oder stellen Sie Aufsichtspersonen oder Absperrungen auf, um einen Mindestsicherheitsbereich von 3 Fuß (1 m) um Ausrüstung und Rohr zu errichten. Dadurch wird verhindert, dass Unbeteiligte mit dem Gerät oder Rohr in Berührung kommen, und die Gefahr eines Umkippens oder Verfangens wird gemindert.
9. Schließen Sie den elektrischen Antrieb/die Gewindec Schneidmaschine mit trockenen Händen an eine ordnungsgemäß geerdete Steckdose an.

Einstellung/Justierung des Nutdurchmessers

HINWEIS Aufgrund der unterschiedlichen Rohreigenschaften sollte immer eine Testnut vor der ersten Nut des Tages oder beim Wechsel der Rohrgröße, des Schedule, des Materials oder der Charge geschnitten werden, um das Risiko

von außerhalb der Toleranz liegenden Nuten zu verringern. Der Nutdurchmesser muss gemessen werden, um die richtige Größe zu bestätigen.

1. Vergewissern Sie sich, dass das Gerät ordnungsgemäß aufgestellt und das Rohr ordnungsgemäß vorbereitet und geladen ist. Unsachgemäßes Einrichten und Vorbereiten kann die Genauigkeit des Nutdurchmessers beeinträchtigen.
2. Die Nutrolle sollte leicht in das Rohr greifen. Falls erforderlich, schieben Sie die Nutrolle so weit vor, dass sie das Rohr gerade berührt und leicht greift - sie darf keine Vertiefung im Rohr hinterlassen, wenden Sie keinen übermäßigen Druck an.
3. Drehen Sie die Tiefeneinstellmutter, bis sie am Hauptgehäuse anliegt.
4. Drehen Sie die Tiefeneinstellmutter eine Umdrehung zurück (Abbildung 16).



Abbildung 16 - Einstellung der Tiefeneinstellmutter

5. Schneiden Sie eine Testnut.
6. Prüfen/messen Sie die Testnut. Wenn der Nutdurchmesser nicht den Spezifikationen entspricht, muss die Tiefeneinstellmutter neu positioniert werden, um den richtigen Nutdurchmesser zu erhalten. *Siehe Abbildung 16.*
 - Um den Nutdurchmesser zu vergrößern (flachere Nut), drehen Sie die Tiefeneinstellmutter im Uhrzeigersinn.
 - Um den Nutdurchmesser zu verringern (tiefere Nut), drehen Sie die Tiefeneinstellmutter gegen den Uhrzeigersinn.
 - Jede 1/4 Umdrehung der Tiefeneinstellmutter verändert den Nutdurchmesser um ca. 0.025 Zoll (0,6 mm). Wenn Sie die Mutter um eine Markierung auf dem Umfang drehen, ändert sich der Nutdurchmesser um ca. 0.002 Zoll (0,05 mm).
7. Wiederholen Sie die Schritte 4 bis 6, bis der Nutdurchmesser innerhalb der Spezifikationen liegt. Wenn die Nut zu groß ist, kann das Rollnutgerät eingestellt und die Nut kleiner ausgeführt werden. Wenn die Nut zu klein ist,

muss eine weitere Nut angefertigt werden. Der richtige Nutdurchmesser ist wichtig, um die Leistung der Verbindung sicherzustellen. Außerhalb der Spezifikation liegende Nuten können zum Versagen der Verbindung führen.

Stabilisatorbetrieb

Mit dem Stabilisator wird eine leichte Kraft auf ein 2½ Zoll- bis 12 Zoll-Rohr ausgeübt, um die Nachführung zu verbessern. Er ist besonders für kurze Rohrstücke nützlich, kann aber für alle Rohrlängen verwendet werden. Der Stabilisator reduziert auch das Schwanken von längeren Rohren mit größerem Durchmesser.

Der Stabilisator kann nur verwendet werden, wenn sich der Schalter REV/O-OFF/FOR (Rückwärts/Aus/Vorwärts) in der REV-Position (Rückwärtsdrehung) befindet (Rohrdrehung auf dem Nutgerät markiert, *Abbildung 17*). Wenn der Schalter REV/O-OFF/FOR (Rückwärts/Aus/Vorwärts) in der FOR-Position (Vorwärtsdrehung) verwendet wird, wird das Rohr spiralförmig aus den Nutrollen herausgeführt.

1. Richten Sie das Gerät ordnungsgemäß ein und laden Sie das Rohr.
2. Stellen Sie den Nutdurchmesser ein.
3. Drehen Sie den Kurbelgriff des Stabilisators, um die Rolle in Kontakt mit dem Rohr zu bringen. Drehen Sie den Kurbelgriff um eine weitere (1) Umdrehung, um die Rolle gegen das Rohr vorzuspannen (*Abbildung 17*). Greifen Sie nicht über das Rohr, um den Stabilisator einzustellen.
4. Nuten Sie das Rohr. Halten Sie während des Nutens die Hände von den Nutrollen, dem Stabilisatorrad und dem Rohrende fern. Nuten Sie das Rohr nicht kürzer als angegeben, greifen Sie nicht in das Rohr hinein und berühren Sie nicht die Nut. Dadurch wird die Gefahr von Quetschverletzungen reduziert.

Wenn das Rohr während des Nutens nicht richtig geführt wird, geben Sie den Fußschalter frei und stoppen Sie das Nuten. Richten Sie eine neue Nut ein und drehen Sie den Kurbelgriff um eine weitere halbe (½) Umdrehung, um die Vorspannung zu erhöhen. Verwenden Sie keine übermäßige Vorspannung. Dadurch kann die Rolle beschädigt werden.

Ist der Stabilisator einmal für eine bestimmte Größe und einen bestimmten Materialtyp eingestellt, muss er in der Regel beim Be- und Entladen von Rohren nicht mehr nachjustiert oder zurückgesetzt werden.

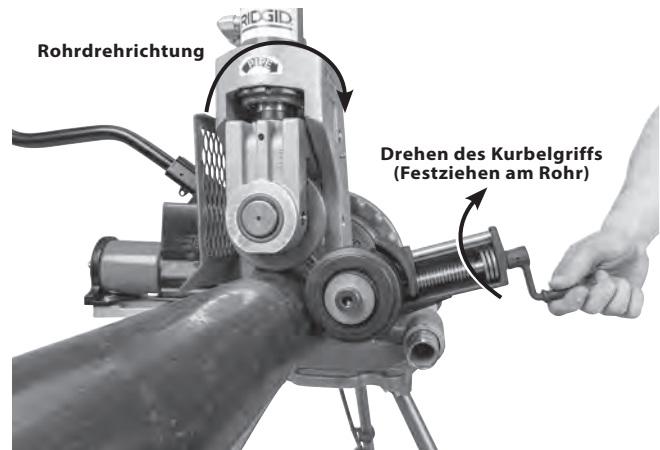


Abbildung 17 - Positionierung des Stabilisators

Nutschneiden

1. Vergewissern Sie sich, dass das Gerät ordnungsgemäß aufgestellt und das Rohr ordnungsgemäß vorbereitet und geladen ist. Nuten Sie das Rohr nicht kürzer als 8 Zoll.
2. Stellen Sie den Nutdurchmesser ein.
3. Stellen Sie bei Bedarf die Position des Stabilisators ein.
4. Stellen Sie sich so, dass Sie Maschine und Rohr kontrollieren können (siehe *Abbildung 18*).



Abbildung 18 - Die richtige Position für die Handhabung

- Stellen Sie sich mit Blick auf das Rollnutgerät auf der Seite des Schalters REV/O-OFF/FOR (Rückwärts/Aus/Vorwärts), sodass Sie bequemen Zugang zum Schalter, Pumpengriff und Rohr haben. Ihre linke Hand befindet sich am Pumpengriff und Ihre rechte Hand ist frei vom Rohr, es sei denn, Sie üben eine leichte Kraft auf das Rohr aus, um die Nachführung beizubehalten (Siehe Abschnitt „Tipps zur Nachführung“).
 - Achten Sie darauf, dass Sie den Fußschalter betätigen können. Treten Sie noch nicht auf den Fußschalter. Im Notfall müssen Sie in der Lage sein, den Fußschalter loszulassen.
 - Achten Sie auf gutes Gleichgewicht und vermeiden Sie es, sich weit in eine Richtung beugen zu müssen.
5. Schalten Sie den Schalter REV/O-OFF/FOR (Rückwärts/Aus/Vorwärts) in die REV-Position (Rückwärtsdrehung).
 6. Führen Sie etwa einen Viertelhub des Pumpengriffs aus, um die Nutrolle in das Rohr zu drücken.
 7. Betätigen Sie den Fußschalter. Das Rohr beginnt sich zu drehen. Lassen Sie zwischen den Viertelhuben des Pumpengriffs eine volle Rohrdrehung zu. Schieben Sie die Nutrolle nicht zu aggressiv vor - dies kann dazu führen, dass sich das Rohr spiralförmig aus dem Rollensatz herausdreht und eine schlechte Nutform aufweist. Halten Sie Ihre Hände vom Nutsatz, dem Rohrende und dem Stabilisatorrad fern. Greifen Sie nicht in das Innere des Rohrs und berühren Sie nicht die Nut.
- Überwachen Sie das Rohr, während es genutet wird. Das Rohrende sollte in Kontakt mit dem Flansch der Antriebswelle bleiben, und das Rohr sollte in Position bleiben. Wenn das Rohr beginnt, sich aus der Position zu bewegen, geben Sie den Fußschalter frei und stoppen Sie das Nuten. Halten Sie Ihren Körper entfernt, falls das Rohr aus dem Griff des Rollensatzes kommt. Wenn das Rohr anfängt, aus der Position zu kommen, stoppen Sie das Nuten und überprüfen Sie die Einstellung. Wenn das Rohrende beschädigt ist, muss eine neue Nut vorbereitet werden.
- Führen Sie weiterhin bei jeder Rohrumdrehung einen Viertelhub des Pumpengriffs aus.
- Bei der Verwendung des 1 Zoll-Rollensatzes ist es besonders wichtig, keine übermäßige Kraft anzuwenden (falsche Einstellung des Nutdurchmessers, unterdimensionierte Nuten, mehr als ein Viertelhub des Pumpengriffs pro Umdrehung). Dadurch kann die 1 Zoll-Antriebsrolle beschädigt werden.
8. Wenn die Tiefeneinstellmutter die Oberseite der Nut berührt, lassen Sie das Rohr mindestens zwei weitere volle Umdrehungen drehen, um eine gleichmäßige Nuttiefe zu gewährleisten.
 9. Nehmen Sie den Fuß vom Fußschalter.
 10. Schalten Sie den Schalter REV/O-OFF/FOR (Rückwärts/Aus/Vorwärts) in die OFF-Position (Aus).

11. Ziehen Sie die Nutrolle zurück und entfernen Sie das Rohr aus der Nutrolle.
12. Prüfen und messen Sie die Nut.

Tipps zur Nachführung

Ein typisches Problem beim Rollnuten ist, dass das Rohr „spiralförmig“ von der Antriebswelle „abläuft“ oder nicht richtig „nachläuft“.

Für eine gute Nachführung ist es wichtig, dass alle Anweisungen befolgt werden. Wenn das Rohr auch nach Befolgung aller Anweisungen nicht richtig nachgeführt wird, gibt es andere Möglichkeiten, die Nachführung zu verbessern.

- Erhöhen Sie etwas den Versatz des Rohrs (Erhöhung von $\frac{1}{2}$ Grad auf 1 Grad) Siehe *Abbildung 14*.
- Ziehen Sie zusätzlich eine $\frac{1}{2}$ Umdrehung am Kurbelgriff des Stabilisators an.
- Der Bediener muss möglicherweise während des Nutens leichte Kraft auf das Rohr ausüben, um die Nachführung zu halten. Dies ist normalerweise nur bei kürzeren Rohrstücken erforderlich, wenn der Stabilisator nicht verwendet wird. Dazu sollte der Bediener einen Lederhandschuh in gutem Zustand tragen und seine Hand um das Rohr legen, wie in *Abbildung 19* gezeigt, um das Rohr leicht zu sich heranzuziehen. Dies kann erfordern, dass der Ständer des elektrischen Antrieb/der Gewindeschneidmaschine am Boden befestigt wird, um Bewegungen während des Nutens zu verhindern. Um die Gefahr von Quetsch- und Schnittverletzungen zu verringern, halten Sie die Hand von der Nutrolle und den Rohrenden fern, nuten Sie das Rohr nicht kürzer als empfohlen und greifen Sie nicht in das Rohr hinein oder berühren Sie die Nut.



Abbildung 19 - Druckbeaufschlagung auf das Rohr mit elektrischem Antrieb in REV-Richtung (Rückwärtsdrehung)

Wenn die Maschine in FOR-Richtung (Vorwärtsdrehung) betrieben wird, kann der Stabilisator nicht verwendet werden. Bewegen Sie das Stabilisatorrad vom Rohr weg. Wenn der Stabilisator in der Vorwärtsdrehung verwendet wird, dreht sich das Rohr spiralförmig aus den Nutrollen heraus. Falls erforderlich, sollte der Bediener einen Lederhandschuh in gutem Zustand tragen und das Rohr mit der rechten Hand leicht von sich wegschieben, wie in *Abbildung 20* gezeigt.



Abbildung 20 - Druckbeaufschlagung auf das Rohr mit elektrischem Antrieb in FOR-Richtung (Vorwärtsdrehung)

Prüfen/messen der Nut

1. Prüfen Sie die Nut.
 - Stellen Sie sicher, dass alle Eigenschaften vorhanden und vollständig ausgebildet sind. *Siehe Tabelle II und Abbildung 30.*
 - Messen Sie den Nutdurchmesser und stellen Sie sicher, dass er innerhalb der Spezifikation liegt.
 - Prüfen Sie alle anderen vom Fitting-Hersteller geforderten Punkte.
 - Prüfen Sie das System entsprechend den gesetzlichen Richtlinien und üblichen Verfahren.

Bei Problemen kann die Nut nicht verwendet werden. Der richtige Nutdurchmesser ist wichtig, um die Leistung der Verbindung sicherzustellen. Außerhalb der Spezifikation liegende Nuten können zum Versagen der Verbindung führen.

2. Messen Sie den Nutdurchmesser mit einem Durchmesserband (*siehe Abschnitt Optionale Ausrüstung*). Wickeln Sie das Durchmesserband eng um das Rohr in der Nut. Vergewissern Sie sich, dass das Band flach auf dem Boden der Nut sitzt, und lesen Sie den Nutdurchmesser ab (*siehe Abbildung 21*). Vergleichen Sie den gemessenen Nutdurchmesser mit dem erforderlichen Nutdurchmesser gemäß *Tabelle II oder III* oder wie vom Hersteller des Nutfittings angegeben.

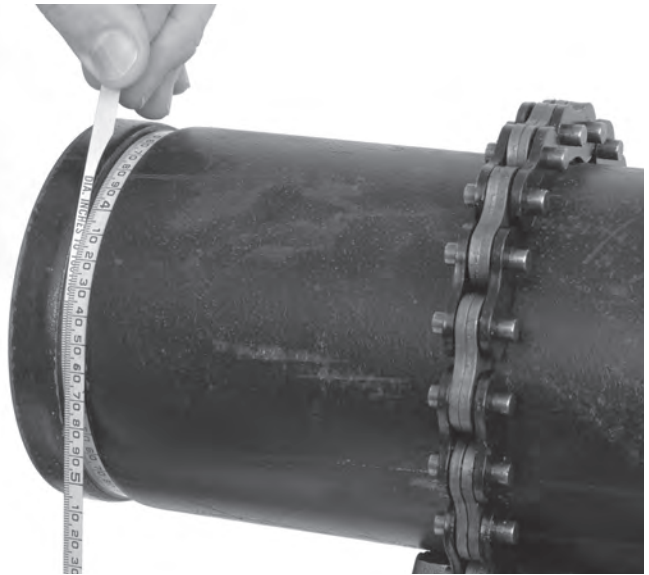


Abbildung 21 - Prüfen des Nutdurchmessers mit einem Durchmesserband

Vorbereitung der Maschine für den Transport

Entfernen Sie das 918 vor dem Transport vom elektrischen Antrieb/von der Gewindeschneidmaschine. Beachten Sie das Gewicht des Geräts. Verwenden Sie beim Heben oder Bewegen geeignete Methoden.

Aufbewahrung

⚠️ WARNUNG Das 918 Rollnutgerät muss bei regnerischer Witterung in Räumen oder gut abgedeckt gelagert werden. Lagern Sie die Maschine in einem abgeschlossenen Bereich außer Reichweite von Kindern und Personen, die mit Rollnutgeräten nicht vertraut sind. Wenn diese Maschine in die Hände von nicht geschulten Benutzern gelangt, kann sie schwere Verletzungen verursachen.

Wartungsanweisungen

⚠️ WARNUNG

Vergewissern Sie sich, dass das Gerät von der Stromquelle getrennt ist, bevor Sie Wartungsarbeiten oder Einstellungen vornehmen.

Warten Sie das 918 Rollnutgerät gemäß diesen Verfahren, um die Verletzungsgefahr zu verringern.

Reinigung

Verwenden Sie ein weiches, feuchtes Tuch zum Reinigen des Rollnutgeräts.

Reinigen Sie die Rändelungen der Antriebsrollen vor dem Einsatz mit einer Drahtbürste und bei Bedarf während des Betriebs. Reinigen Sie beim Nuten von Edelstahlrohren den gesamten Rollensatz gründlich mit einer Edelstahldrahtbürste.

Schmierung

Schmieren Sie das Rollnutgerät monatlich (oder bei Bedarf öfter) mit einem Allzweckfett auf Lithiumbasis. Schmieren Sie das Rollnutgerät immer nach einem Rollensatzwechsel.

- Schmieren Sie das Rollnutgerät an den Schmiernippeln (siehe Abbildung 22). Fügen Sie Fett hinzu, bis eine kleine Menge herausgedrückt wird.



Abbildung 22 - Schmiernippel

- Tragen Sie ein leichtes Schmieröl auf die Drehpunkte und Bereiche der Relativbewegung auf, wie z. B. die Tiefeneinstellmutter und die Vorschubschraube des Stabilisators. Wischen Sie überschüssiges Schmiermittel von den freiliegenden Oberflächen ab.

Hydraulikflüssigkeitsstand

Entfernen Sie den Einfülldeckel des Behälters (Abbildung 23). Der Ölstand sollte bis zur Fülllinie reichen, wenn die Pumpe auf ihrem Sockel steht und der Stößel vollständig eingefahren ist. Verwenden Sie nur ISO 15 Hydrauliköl.



Abbildung 23 - Einfülldeckel des Behälters

Einmal im Jahr sowie bei starker Beanspruchung oder Einsatz in staubiger Umgebung auch öfter sollte das Hydrauliköl gewechselt werden. Um Öl abzulassen, entfernen Sie den Einfülldeckel des Behälters und lassen Sie das Öl in einen Behälter ab. Entsorgen Sie das gebrauchte Hydrauliköl ordnungsgemäß gemäß dem Sicherheitsdatenblatt (SDS) und den örtlichen Vorschriften.

Das Hydrauliksystem muss nach einem Ölwechsel möglicherweise entlüftet werden. Um das Hydrauliksystem zu entlüften, kippen Sie die Maschine auf die Seite und positionieren Sie den Zylinder tiefer als die Pumpe. Fahren Sie den Zylinderkolben mehrmals aus und zurück, damit die Luft in den Pumpspeicher zurück fließen kann.

Wechseln von Rollensätzen

HINWEIS Achten Sie beim Wechsel des Rollensatzes immer darauf, dass die Markierungen von Antriebsrolle und Nutrolle übereinstimmen. Falsch zusammengesetzte Teile können falsche Nuten bilden und Lecks verursachen. Wechseln Sie die Rollen immer im Satz. Vermischen Sie keine Rollen verschiedener Sätze.

Falls installiert, entfernen Sie das Rollnutgerät vom elektrischen Antrieb oder von der Gewindeschneidmaschine und legen Sie es auf eine stabile Werkbank.

Stützen Sie die Rollen und Wellen während des Wechsels ordnungsgemäß ab.

Wechseln der Nutrolle

1. Fahren Sie die Nutrolle vollständig zurück.
2. Fahren Sie das Stabilisatorrad vollständig ein.
3. Lösen Sie die Stellschraube der Nutrolle (Abbildung 24). Greifen Sie die Nutrolle und entfernen Sie die obere Welle und die Nutrolle aus dem Rollnutgerät (Abbildung 25).
4. Nach dem Wechsel der Antriebswelle/Antriebsrolle gehen Sie beim Einbau in umgekehrter Reihenfolge vor. Stellen Sie sicher, dass die Teile sauber sind, damit kein Schmutz in die Lager gelangt. Schmieren Sie die Lager vor der Verwendung.

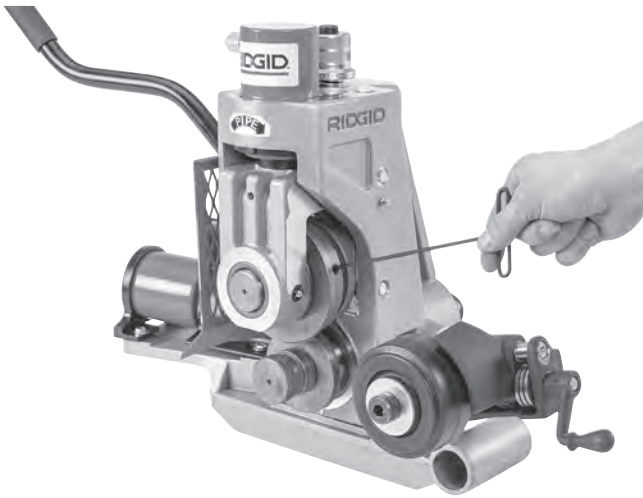


Abbildung 24 - Lösen der Stellschraube der Nutrolle

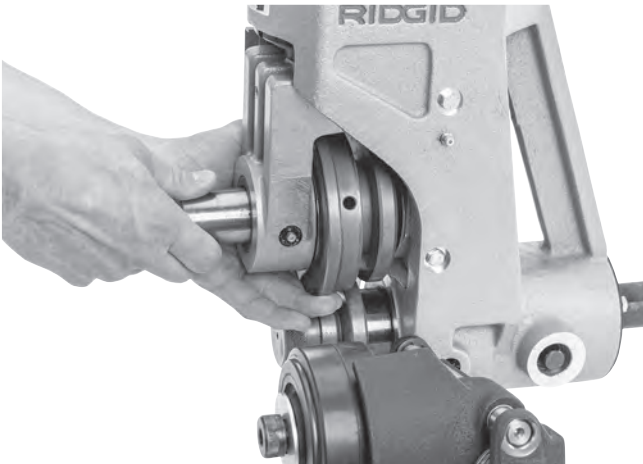


Abbildung 25 - Haltewelle und Nutrolle ausbauen

Wechseln der Antriebswelle/Antriebsrolle

Das 918 hat zwei Arten von Antriebswellen. Eine einteilige Antriebswelle (wird bei den Größen 2 bis 6 Zoll und 8 bis 12 Zoll verwendet) und eine zweiteilige Welle, bestehend aus Antriebswelle und austauschbarer Antriebsrolle (wird bei den Größen 1 Zoll, 1¼ Zoll bis 1½ Zoll und 2 bis 6 Zoll Kupfer verwendet). *Siehe Abbildung 26.*

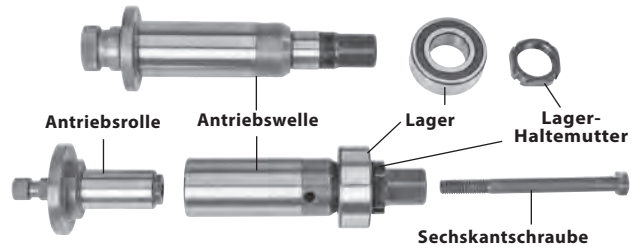


Abbildung 26 - Einteilige Antriebswelle (oben), zweiteilige Antriebswelle (unten)

1. Entfernen Sie die Nutrolle.
2. Drehen Sie die Antriebswelle von Hand und üben Sie dabei Druck auf den Spindelverriegelungsstift aus, bis der Verriegelungsstift in die Spindelsperbohrung der Antriebswelle eingreift.

Wechseln der Antriebswelle

3. Wenn die Spindelarrretierung eingerastet ist, entfernen Sie mit dem Ringschlüssel die Haltemutter des Antriebswellenlagers (*Abbildung 27*).
4. Entspannen Sie den Spindelverriegelungsstift, sodass er sich zurückziehen kann.
5. Entfernen Sie die Antriebswelle von der Vorderseite des Rollnutgeräts.
6. Gehen Sie beim Einbau in umgekehrter Reihenfolge vor. Stellen Sie sicher, dass die Teile sauber sind, damit kein Schmutz in die Lager gelangt. Schmieren Sie die Lager vor der Verwendung.

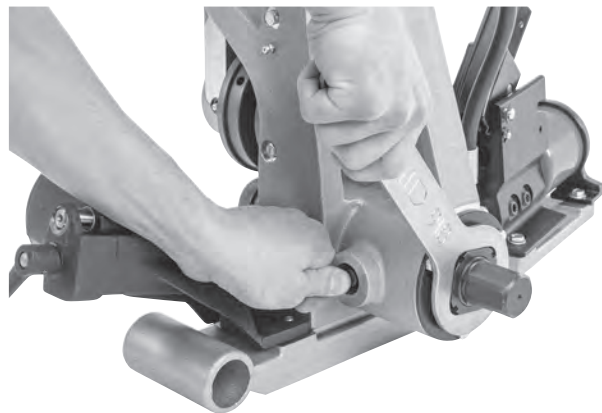


Abbildung 27 - Einrasten der Spindelarrretierung und Entfernen der Haltemutter der Antriebswelle

Wechseln der Antriebsrolle (zweiteilige Antriebswellen)

1. Verwenden Sie bei eingerasteter Spindelarrretierung den $\frac{15}{16}$ Zoll-Ringschlüssel, um den Zugbolzen zu lösen.
2. Klopfen Sie mit einem Schonhammer auf den Kopf des Zugbolzens, um die Antriebsrolle von der Antriebswelle zu lösen.
3. Lösen Sie den Zugbolzen von der Antriebsrolle, entfernen Sie dann die Antriebsrolle von der Vorderseite des Rollnutgeräts.
4. Gehen Sie beim Einbau in umgekehrter Reihenfolge vor. Stellen Sie sicher, dass die Antriebsrolle vollständig in der Antriebswelle sitzt und der Zugbolzen fest sitzt.

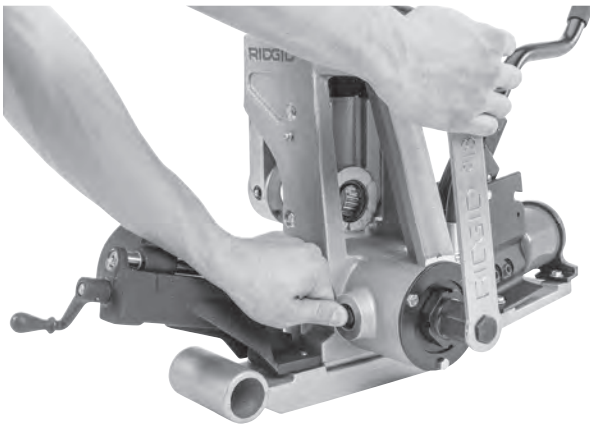


Abbildung 28 - Einrasten der Spindelarrretierung und Lösen des Zugbolzens

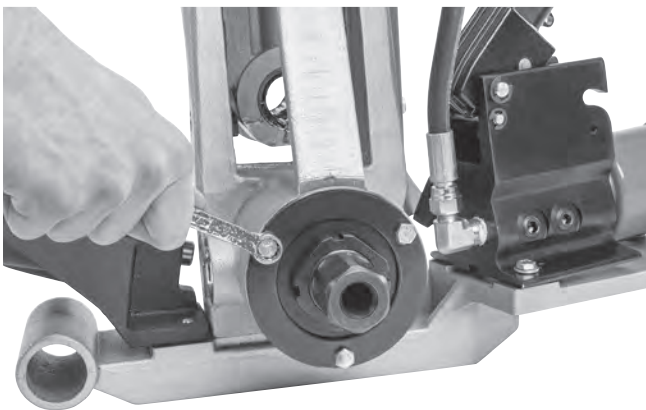


Abbildung 29 - Sechskantschrauben der Halteplatte entfernen

Wechseln der einteiligen Antriebswelle gegen die zweiteilige Antriebswelle

1. Entfernen Sie die einteilige Antriebswelle.
2. Entfernen Sie die Schrauben der hinteren Lagerhalteplatte und die Platte, *siehe Abbildung 29*.
3. Entfernen Sie das hintere Lager aus der Rückseite des 918-Gehäuses.
4. Installieren Sie die zweiteilige Antriebswellenbaugruppe in die Rückseite des 918-Gehäuses. Stellen Sie sicher, dass die Teile sauber sind, damit kein Schmutz in die Lager gelangt.
5. Bringen Sie die hintere Lagerhalteplatte und die Schrauben wieder an.
6. Installieren Sie die entsprechende Antriebsrolle. Schmieren Sie die Lager vor der Verwendung.

Fehlerbehebung

PROBLEM	MÖGLICHE URSACHEN	LÖSUNG
Nut zu eng oder zu breit.	Falsche Nutrolle und Antriebswelle. Nutrolle und/oder Antriebswelle verschlissen. Nutrolle und Antriebswelle passen nicht zusammen.	Bauen Sie die richtige Nutrolle und Antriebswelle ein. Wechseln Sie die Nutrolle und/oder Antriebswelle. Montieren Sie den passenden Rollensatz.
Rollennut nicht senkrecht zur Rohrachse.	Rohrlänge nicht gerade. Rohrende nicht rechtwinklig.	Verwenden Sie gerade Rohre. Schneiden Sie das Rohrende rechtwinklig ab.
Das Rohr wird beim Nuten nicht geführt. Das Rollnutgerät führt beim Nuten nicht das Rohr.	Rohr und Antriebswelle liegen nicht parallel. Die Rohrachse ist nicht ½ Grad von Antriebsrollenachse versetzt. ½ Grad Versatz ist nicht ausreichend. Antriebswelle/Rändelungen der Antriebsrolle verstopft oder verschlissen. Die Innenseite des Rohrs hat zu viele Kalkablagerungen. Überschüssige Schweißnaht. Stabilisator wird nicht verwendet/ist nicht richtig eingestellt. Rohrende nicht rechtwinklig/entgratet.	Stellen Sie den Ständer so ein, dass das Rohr parallel läuft. Versetzen Sie das Rohr um ½ Grad. Versetzen Sie das Rohr etwas mehr. Reinigen oder wechseln Sie die Antriebswelle/-rolle. Reinigen Sie das Innere des Rohrs. Schleifen Sie die Schweißnaht bündig 2 Zoll vom Ende des Rohres. Stellen Sie den Stabilisator ein. Üben Sie Druck auf das Rohr aus (<i>siehe Abbildung 19/20</i>). Bereiten Sie das Rohrende ordnungsgemäß vor.
Rohr am genuteten Ende aufgeweitet.	Rohr und Antriebswelle liegen nicht parallel. Der Bediener fährt die Nutrolle zu schnell vor. Das Rohr ist zu hart. Stabilisator ist zu fest.	Stellen Sie den Ständer so ein, dass das Rohr parallel läuft. Verlangsamen Sie den Pumpvorgang. (<i>Siehe Bedienungsanleitung.</i>) Ersetzen Sie das Rohr. Stellen Sie den Stabilisator ein.
Das Rohr driftet während des Nutens auf der Achse der Antriebswelle hin und her.	Rohrlänge nicht gerade. Rohrende nicht rechtwinklig.	Verwenden Sie gerade Rohre. Schneiden Sie das Rohrende rechtwinklig ab.
Das Rohr schaukelt von Seite zu Seite.	Der Rohrständer ist zu nahe am Rohrende. Das Rohrende ist abgeflacht oder beschädigt. Harte Stellen im Rohrmaterial oder Schweißnähte, die härter als das Rohr sind. Vorschubgeschwindigkeit der Nutrolle zu langsam. Rohrständer stehen nicht an der richtigen Stelle. Die Drehzahl des elektrischen Antriebs/der Gewindeschneidmaschine überschreitet 57 U/min.	Den Rohrständer einschieben, um die Aufstellungsanweisungen zu erfüllen. Schneiden Sie das beschädigte Rohrende ab. Verwenden Sie ein anderes Rohr. Führen Sie die Nutrolle schneller in das Rohr ein. Positionieren Sie die Rohrständerrollen richtig. Verringern Sie die Drehzahl auf 57 U/min.

Fehlerbehebung (Forts.)

PROBLEM	MÖGLICHE URSACHEN	LÖSUNG
Das Rollnutgerät rollt keine Nut in das Rohr.	Die Maximale Rohrwandstärke wurde überschritten. Der Werkstoff ist zu hart. Die Einstellmutter ist nicht eingestellt. Falscher Rollensatz.	Prüfen Sie die Rohrkapazitätstabelle. Ersetzen Sie das Rohr. Stellen Sie die Tiefe ein. Montieren Sie den richtigen Rollensatz.
Das Rollnutgerät nutet die Nute nicht auf den erforderlichen Durchmesser.	Maximale Toleranz des Rohrdurchmessers überschritten. Tiefeneinstellmutter nicht korrekt eingestellt. Das Rohr ist zu hart.	Verwenden Sie den richtigen Rohrdurchmesser. Passen Sie die Tiefeneinstellung an. Verwenden Sie ein anderes Rohr.
Das Rohr rutscht auf der Antriebsrolle.	Vorschubgeschwindigkeit der Nutrolle zu langsam. Die Rändelungen der Antriebswelle ist mit Metall verstopft oder flach verschlissen.	Führen Sie die Nutrolle schneller in das Rohr ein. Reinigen oder wechseln Sie die Antriebswelle aus.
Rohr hebt sich oder neigt dazu, das Rollnutgerät nach hinten zu kippen.	Rohrständer nicht richtig eingestellt.	Stellen Sie die Ständer richtig auf.
Pumpe fördert kein Öl, Zylinder fährt nicht vor.	Pumpenablassventil geöffnet. Zu wenig Öl im Vorratsbehälter. Verschmutzung im Pumpengehäuse. Sitze sind verschlissen oder sitzen nicht. Zu viel Öl im Vorratsbehälter.	Schließen Sie das Ablassventil. Prüfen Sie den Ölstand gemäß den Anweisungen. Lassen Sie das Gerät von einem qualifizierten Techniker warten. Lassen Sie das Gerät von einem qualifizierten Techniker warten. Prüfen Sie den Ölstand gemäß den Anweisungen.
Pumpengriff funktioniert nicht richtig.	Luft ist im System eingeschlossen. Zu viel Öl im Vorratsbehälter.	Entlüften Sie das Hydrauliksystem gemäß den Anweisungen. Prüfen Sie den Ölstand gemäß den Anweisungen.
Zylinder fährt nur teilweise aus.	Der Ölstand im Pumpenbehälter ist niedrig. Tiefeneinstellung falsch eingestellt.	Befüllen und entlüften Sie das System. Befolgen Sie die Anweisungen zur Tiefeneinstellung.

Wartung und Reparatur

⚠️ WARNUNG

Die Betriebssicherheit des Geräts kann durch unsachgemäße Wartung oder Reparatur beeinträchtigt werden.

In den „Wartungsanweisungen“ sind die meisten Wartungsschritte für diese Maschine beschrieben. Alle Probleme, die in diesem Abschnitt nicht erwähnt werden, sollten von einer unabhängigen RIDGID Vertragswerkstatt behoben werden. Verwenden Sie ausschließlich RIDGID Serviceteile.

Informationen über die nächstgelegene unabhängige RIDGID Vertragswerkstatt oder Antworten auf Service- und Reparaturfragen finden Sie im Abschnitt Kontaktinformationen dieses Handbuchs.

Optionale Ausrüstung

⚠️ WARNUNG

Zur Vermeidung schwerer Verletzungen verwenden Sie nur speziell für das RIDGID 918 Rollnutgerät entwickelte und empfohlene Zubehörteile wie die folgenden.

Best.-Nr.	Beschreibung
48405	Rollensatz für 8 - 12 Zoll Schedule 10 (8 Zoll Schedule 40) mit Transportkoffer
48407	Rollensatz für 1¼ bis 1½ Zoll Schedule 10/40, mit Transportkoffer
48412	Rollensatz für 1 Zoll Schedule 10/40 und 1¼ bis 1½ Zoll Schedule 10/40, mit Transportkoffer
48417	Rollensatz für 2 bis 6 Zoll Kupfer
59992	2½ 12 Zoll Stabilisator
76822	Nut-Maßband, zöllig
76827	Nut-Maßband, metrisch
49662	Werkzeugkasten
51432	Antriebsrolle 2 - 6 Zoll
49217	Nutrolle 2 bis 6 Zoll
54317	Ringschlüssel
42360	1206 Ständer

Montagesätze

Best.-Nr.	Modell	Beschreibung
48292	911	Nur Montagesatz für Modell 300 Kraftantrieb
48397	914	Nur Montagesatz 1224
48402	915	Nur Montagesatz 535
56607	917	Nur Montagesatz für Modell 300 Kompakt/1233
56532	—	Ständer, Rohrfuß für 1233/300 Compact

Eine vollständige Liste der für diese Werkzeuge verfügbaren RIDGID-Ausrüstung finden Sie im Ridge Tool Katalog online unter RIDGID.com oder in den *Kontaktinformationen*.

Entsorgung

Teile des 918 Rollnutgeräts enthalten wertvolle Materialien und können recycelt werden. Hierfür gibt es auf Recycling spezialisierte Betriebe, die u. U. auch örtlich ansässig sind. Entsorgen Sie die Bauteile und etwaiges Altöl gemäß den geltenden gesetzlichen Vorschriften. Weitere Informationen erhalten Sie bei der örtlichen Abfallwirtschaftsbehörde.

Tabelle I. Rohrwanddicke

HINWEIS: Alle Abmessungen sind in Zoll angegeben.

Rohrgröße	ROHR AUS KOHLENSTOFFSTAHL ODER ALUMINIUM			EDELSTAHLROHR			PVC-ROHR		
	Schedule	Wandstärke		Schedule	Wandstärke		Schedule	Wandstärke	
		Min.	Max.		Min.	Max.		Min.	Max.
1	5, 10, 40	0.065	0.133	5, 10	0.065	0.109	40	0.133	0.133
1¼	5, 10, 40	0.065	0.140	5, 10, 40	0.065	0.140	40	0.140	0.140
1½	5, 10, 40	0.065	0.145	5, 10, 40	0.065	0.145	40, 80	0.145	0.200
2	5, 10, 40	0.065	0.154	5, 10, 40	0.065	0.154	40, 80	0.154	0.218
2½	5, 10, 40	0.083	0.203	5, 10	0.083	0.188	40, 80	0.203	0.276
3	5, 10, 40	0.083	0.216	5, 10	0.083	0.188	40, 80	0.216	0.300
3½	5, 10, 40	0.083	0.226	5, 10	0.083	0.188	40	0.226	0.226
4	5, 10, 40	0.083	0.237	5, 10	0.083	0.188	40	0.237	0.237
5	5, 10, 40	0.109	0.258	5, 10	0.109	0.188	40	0.258	0.258
6	5, 10, 40	0.109	0.280	5, 10	0.109	0.188	40	0.280	0.280
8	5, 10, 40*	0.109	0.322	5, 10	0.109	0.148	40	0.322	0.322
10	5, 10	0.134	0.165	5, 10	0.134	0.165	—	—	—
12	5, 10	0.165	0.180	5, 10	0.165	0.180	—	—	—

*Nicht zum Nutzen von 8 Zoll Schedule 40 Stahlrohren verwenden, die härter als 150 Brinell (BHN) sind.

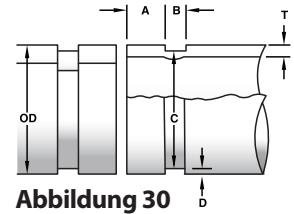


Tabelle II. Standard-Rollnut-Spezifikationen ⁽¹⁾

HINWEIS: Alle Abmessungen sind in Zoll angegeben.

NOM. ROHRGRÖSSE	ROHRDURCHMESSER		T MIN. WANDSTÄRKE.	A DICHTUNGSSITZ +.015/-0.030	B NUTBREITE +.030/-0.015	C NUTDURCHMESSER		D NOM. NUTBREITE ⁽²⁾
	A.D.	TOL.				A.D.	TOL.	
1	1.315	+0.013 -.013	0.065	0.625	0.281	1.190	+0.000	0.063
1¼	1.660	+0.016 -.016	0.065	0.625	0.281	1.535	+0.000 -.015	0.063
1½	1.900	+0.019 -.019	0.065	0.625	0.281	1.535	+0.000 -.015	0.063
2	2.375	+0.024 -.016	0.065	0.625	0.344	2.250	+0.000 -.015	0.063
2½	2.875	+0.029 -.016	0.083	0.625	0.344	2.720	+0.000 -.015	0.078
3	3.50	+0.035 -.031	0.083	0.625	0.344	3.344	+0.000 -.015	0.078
3½	4.00	+0.040 -.031	0.083	0.625	0.344	3.834	+0.000 -.020	0.083
4	4.50	+0.045 .031	0.083	0.625	0.344	4.334	+0.000 -.015	0.083
5	5.563	+0.056 .031	0.109	0.625	0.344	5.395	+0.000 -.015	0.084
6	6.625	+0.063 -.031	0.109	0.625	0.344	6.455	+0.000 -.015	0.085
8	8.625	+0.063 -.031	0.109	0.750	0.469	8.441	+0.000 -.020	0.092
10	10.75	+0.063 -.031	0.134	0.750	0.469	10.562	+0.000 -.025	0.094
12	12.75	+0.063 -.031	0.156	0.750	0.469	12.531	+0.000 -.025	0.110

(1) Gemäß AWWA C606-15

(2) Die Nennnuttiefe wird nur als Referenzmaß angegeben. Verwenden Sie die Nuttiefe nicht, um die Akzeptanz einer Nut zu bestimmen.

HINWEIS: Befolgen Sie die Empfehlungen des Fitting-Herstellers bezüglich der maximal zulässigen Bördelmaße.

Tabelle III. Kupfer-Rollnut-Spezifikationen

HINWEIS: Alle Abmessungen sind in Zoll angegeben.

Nenn-größe Zoll	Rohr-Außendurchmesser A.D.		A Dichtung A ±0.03	B Nutbreite +.03 / -.000	C Nutdurchmesser +.000 / -.020	D Nennnut- tiefe ⁽²⁾	T Min. zuläs- sige Wanddicke. ⁽³⁾	Max. zuläs- siger Bördel- durchmesser
	Einfach	Toleranz						
2	2.125	±0.002	0.610	0.300	2.029	0.048	0.064	2.220
2½	2.625	±0.002	0.610	0.300	2.525	0.050	0.065	2.720
3	3.125	±0.002	0.610	0.300	3.025	0.050	0.045	3.220
4	4.125	±0.002	0.610	0.300	4.019	0.053	0.058	4.220
5	5.125	±0.002	0.610	0.300	5.019	0.053	0.072	5.220
6	6.125	±0.002	0.610	0.300	5.999	0.063	0.083	6.220

(1) Kupferrohre gemäß folgenden Normen: ASTM B88 und ASTM B306.

(2) Die Nennnuttiefe ist als Referenzmaß angegeben. Verwenden Sie die Nuttiefe nicht, um die Akzeptanz von Nuten zu bestimmen.

(3) „DWV“ - ASTM B306 Wandstärke für Ablass- und Belüftungsrohre.

What is covered

RIDGID® tools are warranted to be free of defects in workmanship and material.

How long coverage lasts

This warranty lasts for the lifetime of the RIDGID® tool. Warranty coverage ends when the product becomes unusable for reasons other than defects in workmanship or material.

How you can get service

To obtain the benefit of this warranty, deliver via prepaid transportation the complete product to RIDGE TOOL COMPANY, Elyria, Ohio, or any RIDGID® AUTHORIZED INDEPENDENT SERVICE CENTER. Pipe wrenches and other hand tools should be returned to the place of purchase.

What we will do to correct problems

Warranted products will be repaired or replaced, at RIDGE TOOL'S option, and returned at no charge; or, if after three attempts to repair or replace during the warranty period the product is still defective, you can elect to receive a full refund of your purchase price.

What is not covered

Failures due to misuse, abuse or normal wear and tear are not covered by this warranty. RIDGE TOOL shall not be responsible for any incidental or consequential damages.

How local law relates to the warranty

Some states do not allow the exclusion or limitation of incidental or consequential damages, so the above limitation or exclusion may not apply to you. This warranty gives you specific rights, and you may also have other rights, which vary, from state to state, province to province, or country to country.

No other express warranty applies

This FULL LIFETIME WARRANTY is the sole and exclusive warranty for RIDGID® products. No employee, agent, dealer, or other person is authorized to alter this warranty or make any other warranty on behalf of the RIDGE TOOL COMPANY.



FULL LIFETIME WARRANTY (garantie légale étendue à la durée de vie du produit, voir conditions de garantie / legal warranty extended to the product lifecycle, see warranty conditions)

Parts are available online at Store.RIDGID.com

Ridge Tool Company

400 Clark Street
Elyria, Ohio 44035-6001
U.S.A.

Ce qui est couvert

Les outils RIDGID® sont garantis contre tous vices de matériaux et de main d'oeuvre.

Durée de couverture

Cette garantie est applicable durant la vie entière de l'outil RIDGID®. La couverture cesse dès lors que le produit devient inutilisable pour raisons autres que des vices de matériaux ou de main d'oeuvre.

Pour invoquer la garantie

Pour toutes réparations au titre de la garantie, il convient d'expédier le produit complet en port payé à la RIDGE TOOL COMPANY, Elyria, Ohio, ou bien le remettre à un réparateur RIDGID® indépendant agréé. Les clés à pipe et autres outils à main doivent être ramenés au lieu d'achat.

Ce que nous ferons pour résoudre le problème

Les produits sous garantie seront à la discrétion de RIDGE TOOL, soit réparés ou remplacés, puis réexpédiés gratuitement ; ou si, après trois tentatives de réparation ou de remplacement durant la période de validité de la garantie le produit s'avère toujours défectueux, vous aurez l'option de demander le remboursement intégral de son prix d'achat.

Ce qui n'est pas couvert

Les défaillances dues au mauvais emploi, à l'abus ou à l'usure normale ne sont pas couvertes par cette garantie. RIDGE TOOL ne sera tenue responsable d'aucuns dommages directs ou indirects.

L'influence de la législation locale sur la garantie

Puisque certaines législations locales interdisent l'exclusion des dommages directs ou indirects, il se peut que la limitation ou exclusion ci-dessus ne vous soit pas applicable. Cette garantie vous donne des droits spécifiques qui peuvent être éventuellement complétés par d'autres droits prévus par votre législation locale.

Il n'existe aucune autre garantie expresse

Cette GARANTIE PERPETUELLE INTEGRALE est la seule et unique garantie couvrant les produits RIDGID®. Aucun employé, agent, distributeur ou tiers n'est autorisé à modifier cette garantie ou à offrir une garantie supplémentaire au nom de la RIDGE TOOL COMPANY.

Qué cubre

Las herramientas RIDGID® están garantizadas contra defectos de la mano de obra y de los materiales empleados en su fabricación.

Duración de la cobertura

Esta garantía cubre a la herramienta RIDGID® durante toda su vida útil. La cobertura de la garantía caduca cuando el producto se torna inservible por razones distintas a las de defectos en la mano de obra o en los materiales.

Cómo obtener servicio

Para obtener los beneficios de esta garantía, envíe mediante porte pagado, la totalidad del producto a RIDGE TOOL COMPANY, en Elyria, Ohio, o a cualquier servicentro independiente autorizado de RIDGID®. Las llaves para tubos y demás herramientas de mano deben devolverse a la tienda donde se adquirieron.

Lo que hacemos para corregir el problema

El producto bajo garantía será reparado o reemplazado por otro, a discreción de RIDGE TOOL, y devuelto sin costo; o, si aún resulta defectuoso después de haber sido reparado o sustituido tres veces durante el periodo de su garantía, Ud. puede optar por recibir un reembolso por el valor total de su compra.

Lo que no está cubierto

Esta garantía no cubre fallas debido al mal uso, abuso o desgaste normal. RIDGE TOOL no se hace responsable de daño incidental o consiguiente alguno.

Relación entre la garantía y las leyes locales

Algunos estados de los EE.UU. no permiten la exclusión o restricción referente a daños incidentales o consiguientes. Por lo tanto, puede que la limitación o restricción mencionada anteriormente no rija para Ud. Esta garantía le otorga derechos específicos, y puede que, además, Ud tenga otros derechos, los cuales varían de estado a estado, provincia a provincia o país a país.

No rige ninguna otra garantía expresa

Esta GARANTIA VITALICIA es la única y exclusiva garantía para los productos RIDGID®. Ningún empleado, agente, distribuidor u otra persona está autorizado para modificar esta garantía u ofrecer cualquier otra garantía en nombre de RIDGE TOOL COMPANY.