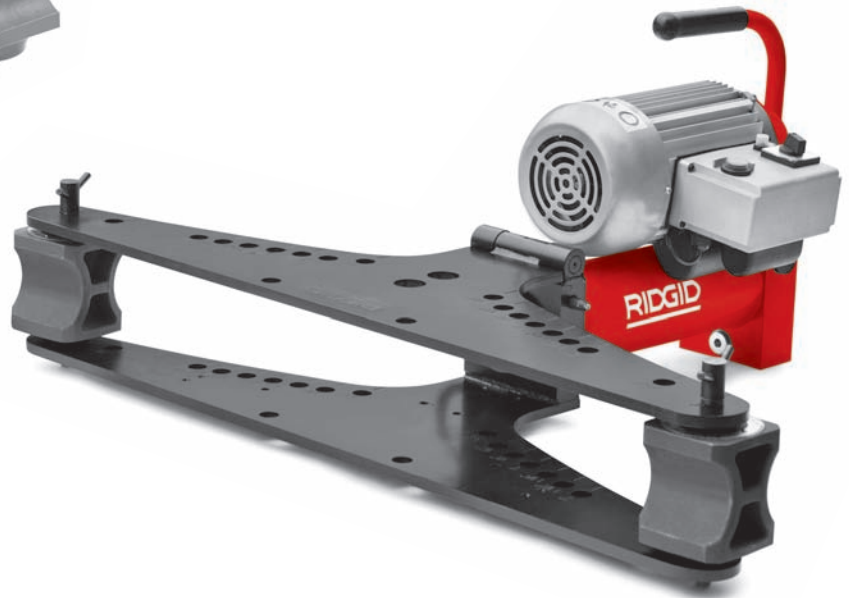


Hydraulic Pipe Bender



⚠ WARNING!

Read this Operator's Manual carefully before using this tool. Failure to understand and follow the contents of this manual may result in electrical shock, fire and/or serious personal injury.

- Français – 15
- Castellano – pág. 31
- 简体中文 – 47

Table of Contents

Recording Form For Machine Serial Number	1
Safety Symbols	2
General Safety Rules	
Work Area Safety	2
Electrical Safety	2
Personal Safety	3
Power Tool Use And Care	3
Service	3
Specific Safety Information	
Hydraulic Pipe Bender Safety	3
Description And Specifications	
Description	4
Specifications.....	4
Icons	5
Pre-Operation Inspection	5
Machine And Work Area Set-Up	6
Operating Instructions	
Loading The Pipe.....	7
Manual Bender Operation	7
Bending the Pipe	8
Straightening Bends.....	9
Maintenance Instructions	
Cleaning	9
Lubrication	9
Checking Hydraulic Oil Level/Adding Hydraulic Oil	10
Changing Hydraulic Oil	10
Accessories	10
Machine Storage and Transportation	10
Service And Repair	10
Disposal	11
Lifetime Warranty	Back Cover

*Original Instructions - English

Pipe Bender

Hydraulic Pipe Bender



RIDGID[®]

Hydraulic Pipe Bender


Record Serial Number below and retain product serial number which is located on nameplate.

Serial
No.

--	--


Safety Symbols

In this operator's manual and on the product, safety symbols and signal words are used to communicate important safety information. This section is provided to improve understanding of these signal words and symbols.

 This is the safety alert symbol. It is used to alert you to potential personal injury hazards. Obey all safety messages that follow this symbol to avoid possible injury or death.

 **DANGER** DANGER indicates a hazardous situation which, if not avoided, will result in death or serious injury.

 **WARNING** WARNING indicates a hazardous situation which, if not avoided, could result in death or serious injury.

 **CAUTION** CAUTION indicates a hazardous situation which, if not avoided, could result in minor or moderate injury.

NOTICE NOTICE indicates information that relates to the protection of property.



This symbol means read the operator's manual carefully before using the equipment. The operator's manual contains important information on the safe and proper operation of the equipment.



This symbol means always wear safety glasses with side shields or goggles when handling or using this equipment to reduce the risk of eye injury.



This symbol indicates the risk of hands, fingers or other body parts being crushed.



This symbol indicates the risk the electrical shock.



This symbol indicates the risk of machine tipping, causing striking or crushing injuries.

General Safety Rules*

WARNING

Read all safety warnings and instructions. Failure to follow the warnings and instructions may result in electric shock, fire and/or serious injury.

SAVE ALL WARNINGS AND INSTRUCTIONS FOR FUTURE REFERENCE!

The term "power tool" in the warnings refers to your mains-operated (corded) power tool or battery-operated (cordless) power tool.

Work Area Safety

- **Keep your work area clean and well lit.** Cluttered or dark areas invite accidents.
- **Do not operate power tools in explosive atmospheres, such as in the presence of flammable liquids, gases, or dust.** Power tools create sparks which may ignite the dust or fumes.
- **Keep children and by-standers away while operating a power tool.** Distractions can cause you to lose control.

Electrical Safety

- **Power tool plugs must match the outlet. Never**

modify the plug in any way. Do not use any adapter plugs with earthed (grounded) power tools. Unmodified plugs and matching outlets will reduce risk of electric shock.

- **Avoid body contact with earthed or grounded surfaces such as pipes, radiators, ranges and refrigerators.** There is an increased risk of electrical shock if your body is earthed or grounded.
- **Do not expose power tools to rain or wet conditions.** Water entering a power tool will increase the risk of electrical shock.
- **Do not abuse the cord. Never use the cord for carrying, pulling or unplugging the power tool. Keep cord away from heat, oil, sharp edges or moving parts.** Damaged or entangled cords increase the risk of electric shock.
- **When operating a power tool outdoors, use an extension cord suitable for outdoor use.** Use of a cord suitable for outdoor use reduces the risk of electric shock.
- **If operating a power tool in a damp location is unavoidable, use a ground fault circuit interrupter (GFCI) protected supply.** Use of a GFCI reduces the risk of electric shock.

* The text used in the General Safety Rules section of this manual is verbatim, as required, from the applicable CSA 745/UL 45 standard. This section contains general safety practices for many different types of power tools. Not every precaution applies to every tool, and some do not apply to this tool.

Personal Safety

- **Stay alert, watch what you are doing and use common sense when operating a power tool. Do not use a power tool while you are tired or under the influence of drugs, alcohol, or medication.** A moment of inattention while operating power tools may result in serious personal injury.
- **Use personal protective equipment. Always wear eye protection.** Protective equipment such as dust mask, non-skid safety shoes, hard hat, or hearing protection used for appropriate conditions will reduce personal injuries.
- **Prevent unintentional starting. Ensure the switch is in the off-position before connecting to power source and/or battery pack, picking up or carrying the tool.** Carrying power tools with your finger on the switch or energizing power tools that have the switch on invites accidents.
- **Remove any adjusting key or wrench before turning the power tool on.** A wrench or a key left attached to a rotating part of the power tool may result in personal injury.
- **Do not overreach. Keep proper footing and balance at all times.** This enables better control of the power tool in unexpected situations.
- **Dress properly. Do not wear loose clothing or jewelry. Keep your hair, clothing, and gloves away from moving parts.** Loose clothes, jewelry, or long hair can be caught in moving parts.
- **If devices are provided for the connection of dust extraction and collection facilities, ensure these are connected and properly used.** Use of dust collection can reduce dust-related hazards.

Power Tool Use And Care

- **Do not force power tool. Use the correct power tool for your application.** The correct power tool will do the job better and safer at the rate for which it is designed.
- **Do not use power tool if the switch does not turn it ON and OFF.** Any power tool that cannot be controlled with the switch is dangerous and must be repaired.
- **Disconnect the plug from the power source and/or the battery pack from the power tool before making any adjustments, changing accessories, or storing power tools.** Such preventive safety measures reduce the risk of starting the power tool accidentally.
- **Store idle power tools out of the reach of children and do not allow persons unfamiliar with the power tool or these instructions to operate the power tool.** Power tools are dangerous in the hands of untrained users.
- **Maintain power tools. Check for misalignment or binding of moving parts, breakage of parts and any other condition that may affect the power tool's operation. If damaged, have the power tool repaired before use.** Many accidents are caused by poorly maintained power tools.
- **Keep cutting tools sharp and clean.** Properly maintained cutting tools with sharp cutting edges are less likely to bind and are easier to control.
- **Use the power tool, accessories and tool bits etc. in accordance with these instructions, taking into account the working conditions and the work to be performed.** Use of the power tool for operations different from those intended could result in a hazardous situation.

Service

- **Have your power tool serviced by a qualified repair person using only identical replacement parts.** This will ensure that the safety of the power tool is maintained.

Specific Safety Information

⚠ WARNING

This section contains important safety information that is specific to this tool.

Read these precautions carefully before using the RIDGID® Hydraulic Pipe Benders to reduce the risk of crushing injuries, electric shock or other serious personal injury.

SAVE THESE INSTRUCTIONS!

Keep this manual with the hydraulic bender for use by the operator.

Hydraulic Pipe Bender Safety

- **Keep your fingers and hands away from the bending attachments and work piece during bending.** Your fingers, hands and other body parts can be caught, crushed, fractured or amputated if they become entangled in the bender or between these components and any other object.
- **Properly support the tool and pipe.** This will help to prevent the tipping of the pipe and equipment.

- **Pipe moves during bending and can cause striking or crushing injuries.** Be sure there is adequate clearance around the pipe before bending.
- **Hydraulic benders use high pressure fluid to generate large forces. High pressure fluid can penetrate skin. Large forces can break and throw parts, causing serious injury.** Stand clear of the unit during use and always wear appropriate protective equipment, including eye protection.
- **One person must control the work process and machine operation. Only the operator should be in the work area when the machine is operating.** This helps reduce the risk of injury.
- **Read and understand this manual, and the warnings and instructions for all equipment being used with this tool before operating.** Failure to follow all warnings and instructions may result in property damage and/or serious injury
- **Use the Hydraulic Pipe Bender only with RIDGID Hydraulic Pipe Bender attachments as directed in these instructions.** Other uses or modifying the Hydraulic Pipe Benders may damage the tool, the attachments or cause personal injury.

The EC Declaration of Conformity (890-011-320.10) will accompany this manual as a separate booklet when required.

If you have any question concerning this RIDGID® product:

- Contact your local RIDGID distributor.
- Visit www.RIDGID.com or www.RIDGID.eu to find your local RIDGID contact point.
- Contact RIDGID Technical Services Department at rttechservices@emerson.com, or in the U.S. and Canada call (800) 519-3456.

Description and Specifications

Description

RIDGID® Hydraulic Pipe Benders allow precision cold bending of metallic pipe from 1/4" to 3" (depending on the unit). The tip-up wing configuration of the RIDGID Hydraulic Bender allows easy access to the pipe for set up and removal. Benders are available in both manual and electric versions.

The RIDGID Hydraulic Benders are generally designed to bend the following types of pipe:

- EN 10255 Medium and Heavy Series
- ASTM A53 Schedule 40 and 80
- DIN 2440, 2441 Series

- BS 1387 Medium and Heavy Series
- GB/3091 (ISO 559) Medium and Heavy Series

Pipe with thicker walls and/or high hardness (over 75 HRb)/strength (over 66 ksi/455 MPa Tensile) may not be able to be bent. Pipe with comparable outside diameter and wall thickness to the pipes listed may be able to be bent depending on pipe material characteristics. Pipe with thinner walls can be bent but may experience issues with kinking or buckling in the bend area.

Icons

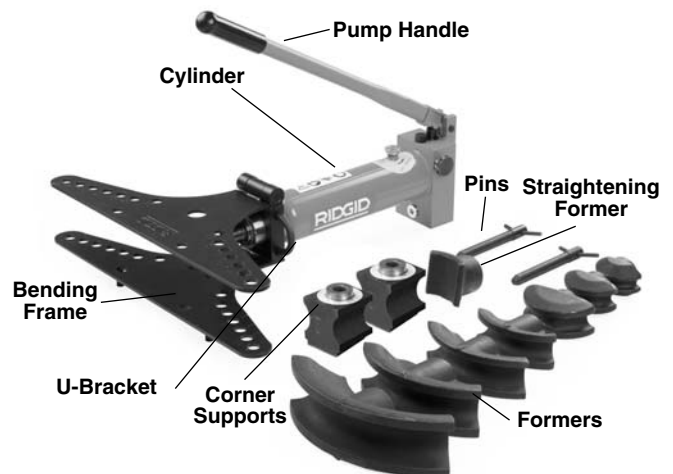
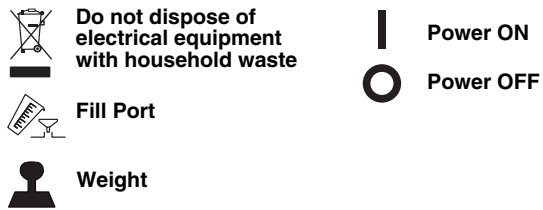


Figure 1 – Hydraulic Pipe Bender 2" and 3" Manual Unit



Figure 2 – Hydraulic Pipe Bender 2" and 3" Electric Unit

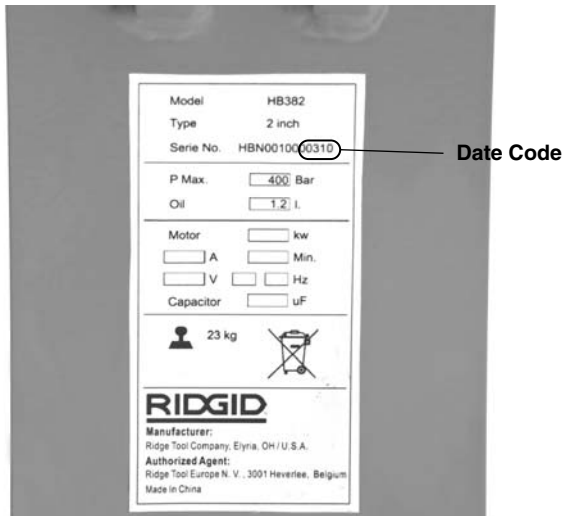


Figure 3 – Machine Serial Number

The machine serial number is located on the side of the pump. The last 4 digits indicates the month and year of the manufacture. (03 = month, 10 = year).

NOTICE Selection of appropriate materials and installation, joining and forming methods is the responsibility of the system designer and/or installer. Selection of improper materials and methods could cause system failure.

Stainless steel and other corrosion resistant materials can be contaminated during installation, joining and forming. This contamination could cause corrosion and premature failure. Careful evaluation of materials and methods for the specific service conditions, including chemical and temperature, should be completed before any installation is attempted.

Specifications

Pipe Bender

Model No.	Capacity Inch	Pump Pressure (bar)	Ram Force kN(klb)	Pump Type	Motor		Approximate Equipment Dimensions L x W x H (cm)	Standard Formers	Shipping Weight		Crate Dimensions L x W x H (cm)
					Volt & Frequency	Power kW			lb	kg	
HB382	3/8" - 2"	450	90 (20.1)	Manual	N/A	N/A	73 x 63.5 x 62 28.8" x 25" x 24.4"	3/8", 1/2", 3/4", 1", 1 1/4", 1 1/2", 2"	159	72	82 x 33 x 49.5 32.3" x 13" x 19.5"
HB382E	3/8" - 2"	450	90 (20.1)	Electric	230/50Hz 1Φ 230/60Hz 3Φ 115/60Hz 1Φ 400/50Hz 3Φ	1.4 1.5 1.4 1.5	73 x 63.5 x 43 28.8" x 25" x 16.9"	3/8", 1/2", 3/4", 1", 1 1/4", 1 1/2", 2"	211	96	82 x 39.5 x 60 32.3" x 15.6" x 23.6"
HB383	3/8" - 3"	450	146 (32.7)	Manual	N/A		75.5 x 103 x 62 29.8" x 40.6" x 24.4"	3/8", 1/2", 3/4", 1", 1 1/4", 1 1/2", 2", 2 1/2", 3"	344	156	117 x 37.5 x 49.5 46.1" x 14.8" x 19.5"
HB383E	3/8" - 3"	450	146 (32.7)	Electric	230/50Hz 1Φ 230/60Hz 3Φ 115/60Hz 1Φ 400/50Hz 3Φ	1.4 1.5 1.4 1.5	75.5 x 103 x 62 29.8" x 40.6" x 24.4"	3/8", 1/2", 3/4", 1", 1 1/4", 1 1/2", 2", 2 1/2", 3"	401	182	117 x 46.5 x 62 46.1" x 18.3" x 24.1"

Operating Temperature: 14°F to 122°F (-10°C to 50°C) (See Maintenance Section for more information.)

All benders come with appropriate formers and corner supports for the size range, and are packaged in a reusable wooden crate. Formers are for pipes to EN10255 and equivalent as listed below:

Former

Catalog No.	Nominal Pipe Size Inch	Pipe O.D.		Wall Thickness				Bend Radius*		Weight		Pipe** Type/Standard
		Inch	mm	MIN		MAX.		Inch	mm	lbs	kg	
				Inch	mm	Inch	mm					
37218	1/4"	0.540	13,5	0.08	2,2	0.16	4	2.36	60	2.2	1	EN10255, ASTM A53
37223	3/8"	0.675	17,2	0.09	2,3	0.16	4	1.77	45	1.8	0,8	EN10255, ASTM A53
37228	1/2"	0.840	21,3	0.10	2,6	0.16	4	1.97	50	2.4	1,1	EN10255, ASTM A53
37233	3/4"	1.050	26,9	0.10	2,6	0.16	4	3.15	80	4.0	1,8	EN10255, ASTM A53
37238	1"	1.315	33,7	0.13	3,2	0.20	5	4.33	110	4.0	1,8	EN10255, ASTM A53
37243	1 1/4"	1.660	42,4	0.13	3,2	0.20	5	5.31	135	4.6	2,1	EN10255, ASTM A53
37248	1 1/2"	1.990	48,3	0.13	3,2	0.20	5	6.10	155	9.5	4,3	EN10255, ASTM A53
37253	2"	2.375	60,3	0.14	3,6	0.22	5,5	8.66	220	14.4	6,5	EN10255, ASTM A53
37258	2 1/2"	2.875	76,1	0.14	3,6	0.28	7	12.60	320	38.5	17,5	EN10255, ASTM A53
37263	3"	3.500	88,9	0.16	4,0	0.30	7,6	15.35	390	59.9	27,2	EN10255, ASTM A53

* Bend radius to centerline of pipe.

** See description for more information.

Pre-Operation Inspection

⚠ WARNING



Before each use, inspect your pipe bender and correct any problems to reduce the risk of serious injury from electric shock, crushing injuries and other causes and prevent machine damage.

1. If an electric bender, make sure the ON/OFF switch is in the OFF (**O**) position and the power cord is unplugged.
2. Clean any oil, grease or dirt from the pipe bender, including the handles and controls. This allows better inspection of the pipe bender and helps prevent the pipe bender or control from slipping from your grip during use.
3. Inspect the bender for:
 - Hydraulic leaks. Check the hydraulic fluid level and adjust as needed (see *Maintenance Section*).
 - Any broken, cracked, bent, missing, misarranged or binding parts or any other condition that may prevent the safe and normal operation of the bender.
 - Cracks or breaks in the formers and corner supports.
 - Inspect the power cord and plug for damage or modification, such as cuts or a missing ground plug.
 - Presence and legibility of the warning label. See *Figure 4A and 4B*.

If any issues are found during the inspection of the bender, do not use until those issues have been corrected.



Figure 4A – Warning Label (Manual)



Figure 4B – Warning Label (Electric)

4. If any other equipment is being used, inspect and maintain per its instructions to make sure it functions properly.

Machine And Work Area Set-Up

⚠ WARNING



Set up the bender and work area according to these procedures to reduce the risk of injury from electric shock, machine tipping, crushing and other causes, and to help prevent bender damage.

1. Locate a work area that has:
 - Adequate lighting.
 - No flammable liquids, vapors or dust that may ignite. The equipment is not explosion proof and can cause sparks.
 - Clear level, stable, dry location for all of the equipment and the operator.
 - Properly grounded electrical outlet of proper voltage. If in doubt, have outlet inspected by licensed electrician.
2. Clean the work area before setting up any equipment. Wipe up any oils or liquids. Clear anything that the pipe could hit during bending.
3. Inspect the pipe to be bent and installation area and confirm that you have the correct tool and formers for the job. See *the Specifications Section*. Do not attempt to bend pipe that exceeds the pipe bender specifications. This could damage the pipe bender.
4. Confirm that equipment to be used has been properly inspected.

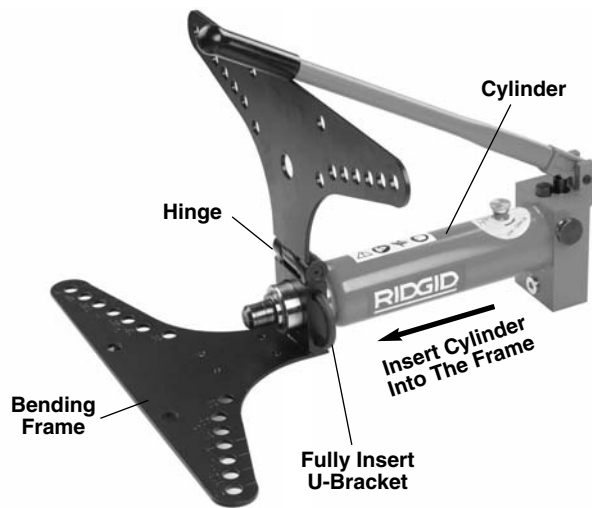


Figure 5 – Assembling 2" and 3" Benders

5. Assembly

All benders should be set up on the floor or other suitable surface. Bender parts are heavy and awkward. Use appropriate transport and lifting methods.

If using the accessory wheel stand or turnable tripod, follow instructions for proper set-up.

- Place the bending frame with the hinged side up.
- Insert the end of the cylinder into the opening at the end of the bending frame. Align the groove on the cylinder with the back of the bending frame.
- Fully insert the U-bracket through the joint between the bending frame and the cylinder.
- Place the proper size corner supports for the pipe to be bent on the lower wing over the appropriate holes for the size of pipe to be bent.
- Insert the pins through the corner supports and both wings.



Figure 6 – Assembled 2" / 3" Manual Bender



Figure 7 – Assembled 2" / 3" Electric Bender

6. Open the fill cap on the cylinder two full turns. This allows air into the reservoir during use for proper operation. (See Figure 10.)

Powering the Electric Bender

1. Confirm that the ON/OFF (I/O) switch is in the OFF (O) position.
2. Make sure that the power cord is routed away from the work area. Run the cord along a clear path to the outlet, and with dry hand plug in. Keep all connections dry and off the ground. If the power cord is not long enough, use an extension cord that:
 - Is in good condition
 - Has a plug similar to that on the tool.
 - Is rated for outdoor use and contains a W or W-A in the cord designation (i.e. SOW), or complies with H05VV-F, H05RN-F types or IEC type design (60227 IEC 53, 60245 IEC 57).
 - Has sufficient wire size (16 AWG (1.5mm²) for 50' (15.2m) or less, 14 AWG (2.5mm²) for 50' – 100' (15.2m – 30.5m) long). Undersized wires can over-heat, melting the insulation or causing a fire or other damage.

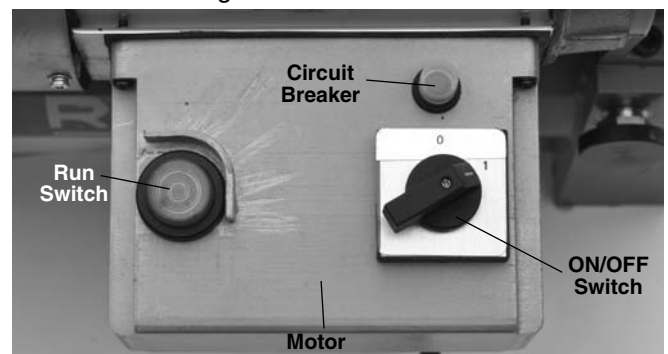


Figure 8 – Electric Bender Controls

3. Check the bender for proper operation.
Move the ON/OFF switch to the ON (I) position. Press and release the Run switch. If the ON/OFF switch and Run switch do not control the motor operation, do not use the bender until it has been repaired.
Depress and hold the Run switch. Inspect for misalignment, binding, odd noises or any other unusual conditions. Release Run switch. If any unusual conditions are found, do not use the machine until it has been repaired.
Move the ON/OFF switch to the OFF (O) position.

Operating Instructions

⚠ WARNING



Keep your fingers and hands away from the bending attachments and work piece during bending. Your fingers, hands and other body parts can be caught, crushed, fractured or amputated if they become entangled in the bender or between these components and any other object.

Properly support the tool and pipe. This will help to prevent the tipping of the pipe and equipment.

Pipe moves during bending and can cause striking or crushing injuries. Be sure there is adequate clearance around the pipe before bending

Follow operating instructions to reduce the risk of injury from entanglement, striking, crushing, electrical shock and other causes.

Loading the Pipe

1. Confirm that the equipment and work area has been properly set up and is free of by-standers and other distractions. Confirm ON/OFF switch is on the OFF (O) position.
2. If needed, mark the pipe to be bent at the appropriate location.
3. Remove the pins from the corner supports and open the upper wing.
4. Choose the appropriate bending former for the pipe to be bent. Formers are marked with the size and catalog number. *See the Specifications for more information.* Place former over the end of the ram.
5. Place the pipe to be bent in front of the former and if

needed place supports under the pipe to hold it in the correct position for bending. The former includes a mark at the center for alignment. Properly support the pipe to prevent tipping of the pipe and the bender throughout use.

6. Apply grease to the side of the corner support that contacts the pipe. Place the supports over the appropriate holes as marked on the bending frame. The corner supports must be located in the correct, symmetrical holes or the bender can be damaged during use.



Figure 9 – Loading the Pipe

7. Close the upper wing and fully insert the pins through both wings of the bending frame and the corner supports. Align the corner supports so that the zero marks on the angle indicators line up with the mark on the upper wing (*See Figure 12*).
8. Confirm that the bender and pipe is stable.

Advancing/Retracting The Ram

Turn the release knob clockwise on the hydraulic pump to the closed (advance ram) position (*See Figure 10*.) To retract ram, turn release knob counter clockwise to retract position. An internal spring will retract the ram.

Manual Pump

Move the pump handle up and down to advance the ram. Do not use handle extensions. This can damage the handle or slip during use and cause injury.

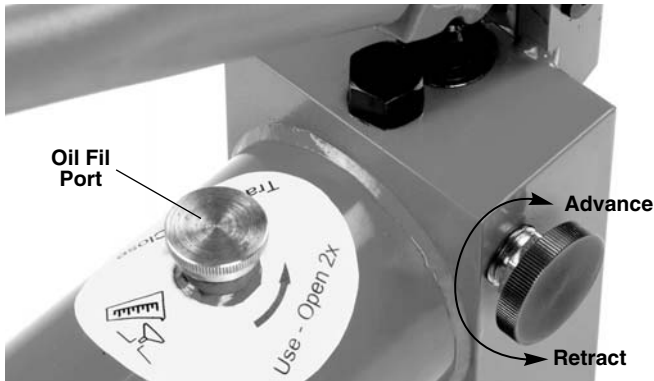


Figure 10 – Release Knob Positions (Advance/Retract)

Electric Pump

Move the ON/OFF switch to the ON (I) position. Press the RUN switch to ADVANCE the ram. Place ON/OFF switch in OFF (O) position when not in use or retracting the ram.

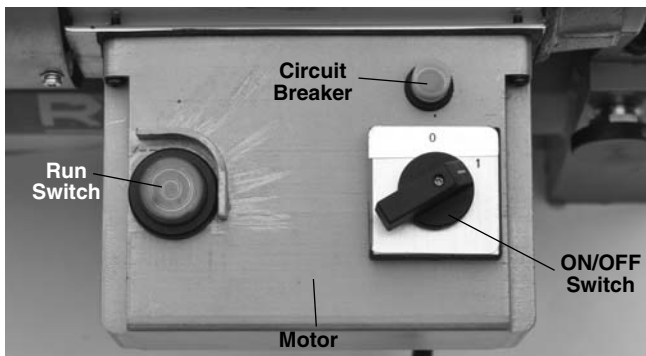


Figure 11 – Motor Controls

Bending the Pipe

1. Stand next to the cylinder on the same side as the Release knob. Do not reach over the machine to operate. Advance the ram. When the bending former touches the pipe, slowly and carefully advance the ram while aligning the bend location with the former. Continue advancing the ram until the pipe is just against the corner supports. Do not place your fingers, hands or other body parts in a position that would allow them to be trapped or crushed.
2. Confirm that the corner supports are in the correct position (as marked on the frame) for the pipe to be bent and the pins are fully inserted through both sides of the frame (See Figure 12). If not, the bender can be damaged during use. Make sure that the ends of the pipe extend past the corner supports enough to prevent the pipe from slipping off during bending. See Chart 1.

Chart 1 – Minimum Pipe Length Past The Center Of The Pin

Pipe Size O.D.		Min. Distance Center Line of Pin to End of Pipe	
Inch	mm	Inch	mm
1/4	13,5	1.6	40
3/8	17,2	1.6	40
1/2	21,3	1.9	47
3/4	26,9	2.0	51
1	33,7	2.1	54
1 1/4	42,4	2.3	58
1 1/2	48,3	2.5	63
2	60,3	2.2	56
2 1/2	76,1	3.3	84
3	88,9	3.7	93

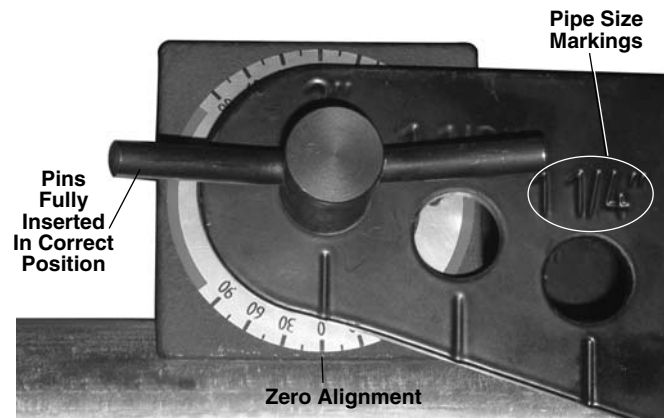


Figure 12 – Angle Indicator Alignment – Start of Bend



Figure 13 – Operating the Manual Bender



Figure 14 – Operating the Electric Bender

3. Continue to advance the ram and bend the pipe. As the pipe is bent, the ends will move. Stay clear of the moving pipe. Monitor the angle indicators (Figure 15). The average of the angles measured by each angle indicator equals the approximate total angle bent.

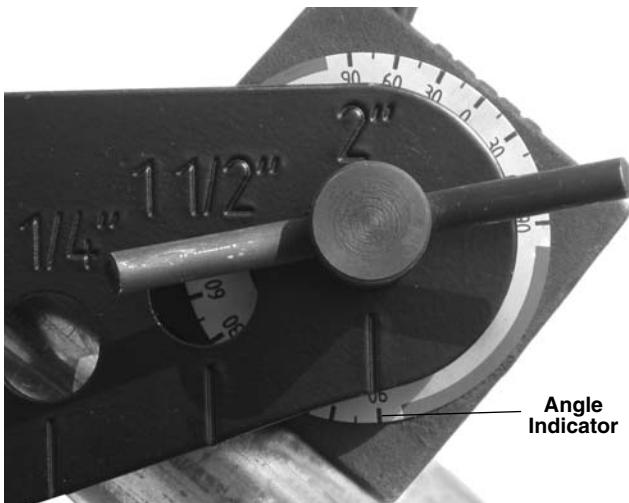


Figure 15 – Angle Indicator – End of Bend

Watch the ram as it extends. If you can see a small groove in the ram (Figure 16), stop advancing the ram to prevent hydraulic leaks and ram damage

4. For certain sizes of pipe (2 1/2", 3"), a ram extension must be used to form a 90 degree bend. When the groove in the ram (Figure 16) is visible, stop advancing the ram. Make sure that the pipe is properly supported to prevent it from moving or falling. Turn the release knob to the retract position, and retract the ram far enough to allow the extension to be inserted between the end of the ram and the former. Insert the extension and carefully advance the ram. Do not place your fingers, hands or other body parts in a

position that would allow them to be trapped or crushed.



Figure 16 – Groove in Ram

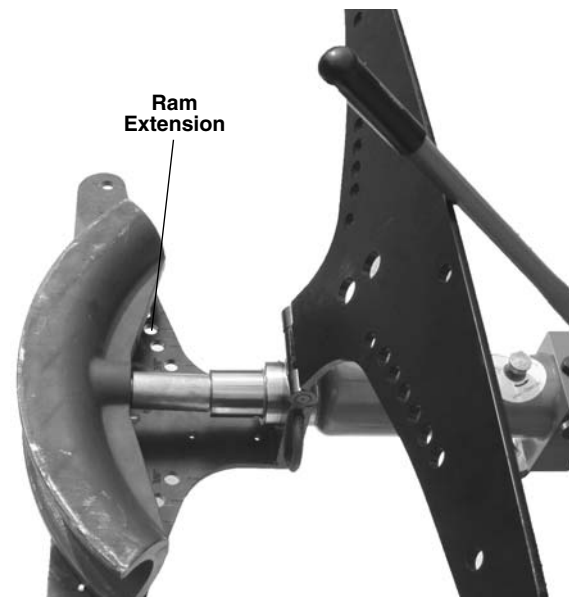


Figure 17 – Inserting the Ram Extension (Shown Open Without Pipe For Clarity)

As the desired degree of bend is reached stop advancing the ram. Do not try to create a bend of more than 90 degrees (per the angle indicator), this could cause kinking of the pipe and other issues. A square or other measuring device may be needed to measure exact bend angles. It is preferable to under bend the pipe as it is easier to bend the pipe a little more than to straighten it. When the ram is retracted, the pipe may spring back, so you may need to slightly compensate to get the desired angle.

5. With the bend complete, move the ON/OFF switch to the OFF (O) position. Retract the ram by turning the release knob to the retract position.
6. Remove the pipe from the bender. If needed, remove pins, corner supports and/or open the top wing. If

the former is stuck to the pipe, a block of wood or a soft faced hammer can be used to tap the former off the pipe. Do not use regular hammers, chisels or other hardened tools to remove the former. They can chip and damage the former and cause injury.

Straightening Bends

A straightening former is available to slightly reduce the angle of a bend (up to approximately 10 degrees). Use of the straightening former may deform the bend. In some cases (such as 90 degree bends on 2½", 3" or 4") the straightening former cannot be used. To use:

1. Place the straightening former on the end of the ram.
2. Place the pipe so that the bend sits against the straightening former and the legs of the bend are against the corner supports. Make sure the set up is symmetric, with the corner supports in the correct position, to prevent damage to the bender.

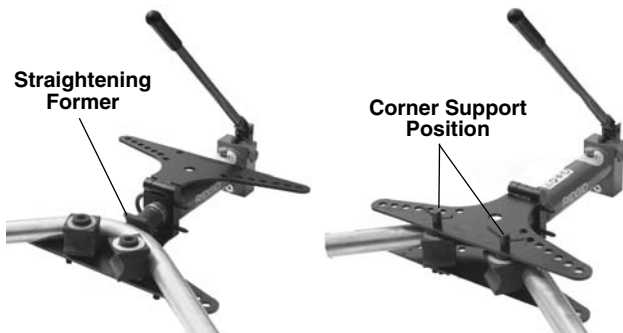


Figure 18 – Straightening a Bend

3. Follow the steps for “Bending the Pipe”.

Maintenance Instructions

⚠ WARNING

Maintain the hydraulic bender according to these procedures for a longer product life and to reduce the risk of injury from electrical shock and other causes.

Cleaning

After each use, wipe any oil or dirt off of the bender and formers with a clean, dry, soft cloth. Pay special attention to the ram and piston to remove any dirt or debris that could scratch polished parts or damage seals. If needed, the formers and corner supports can be cleaned with a wire brush.

Lubrication

Monthly, or more often if needed, apply a light machine oil or grease to handle pivot points, wing hinge, and pins. Do not apply oil to hydraulic system components.

Hydraulic Oil

Checking Level/Adding Hydraulic Oil

Before each use, check oil level. Place the bender on a flat level surface with the ram fully retracted. Remove the oil vent cap – oil should be even with the bottom of the fill neck. If oil is needed, add Shell Tellus 32 Hydraulic Oil or other equivalent high quality hydraulic oil and replace oil vent cap. See *Figure 10* for location of oil vent cap.

Changing

Once a year, or more often with heavy use or use in dusty conditions, the hydraulic oil should be changed.

Place the pump end of the hydraulic cylinder in a container to collect the hydraulic oil as it is drained. Directly under the cylinder is a plug (*Figure 18*). Remove the plug, filter spring and filter and allow the hydraulic fluid to drain. Open the oil vent cap and raise the ram end of the cylinder slightly to improve drainage. Complete drainage may take up to several hours. Properly dispose of the used hydraulic oil per the Material Safety Data Sheet (MSDS) and local requirements.



Figure 18 – Hydraulic Oil Drain Plug and Access to Filter

Clean the filter by rinsing in clean hydraulic oil. Re-install the clean or new filter, spring and plug. Fill the bender with new hydraulic oil following the instructions for adding hydraulic oil. Operate the bender through several cycles to remove air from the system and check the hydraulic oil level.

Oil Capacity

HB-382/382E	1.27 QT./1.2 liter
HB-383/383E	1.70 QT./1.6 liter

Low Temperature Operation

If the Hydraulic Bender will be used in low temperatures (Less than 14°F (-10°C)) it is recommended that the Hydraulic oil be changed to a high quality Hydraulic oil suitable for the temperature.

Accessories

⚠ WARNING

To reduce the risk of serious injury, only use accessories specifically designed and recommended for use with the RIDGID hydraulic benders, such as those listed below. Other Accessories suitable for use with other tools may be hazardous when used with the RIDGID hydraulic benders.

Hydraulic Pipe Bender Accessories

Catalog No.	Description
37293	Pins, HB382/HB382E
37273	Corner Supports, HB382/HB382E
37603	U-Bracket, HB382/HB382E
37618	Straightening Former, HB382/HB382E/HB383/HB383E
37298	Pins, HB383/HB383E
37278	Corner Supports, HB383/HB383E
37838	U-Bracket, HB383/HB383E
37828	Foot Wheels, HB382/HB382E/HB383/HB383E
37813	Turnable Tripod, HB382/HB382E/HB383/HB383E
38568	Extension, HB-383/383E

Machine Storage and Transportation

NOTICE The Hydraulic bender must be kept indoors or well covered in rainy weather. Store the machine in a locked area that is out of the reach of children and people unfamiliar with hydraulic benders. This machine can cause serious injury in the hands of untrained users. Store unit between 14°F (-10°C) and 122°F (50°C).

When preparing to move the hydraulic bender, always close the fill cap on the cylinder to prevent hydraulic oil from leaking.

Service And Repair

⚠ WARNING

Improper service or repair can make machine unsafe to operate.

The “Maintenance Instructions” will take care of most of the service needs of this machine. Any problems not addressed by this section should only be handled by an authorized RIDGID service technician.

Tool should be taken to a RIDGID Independent Authorized Service Center or returned to the factory.

For information on your nearest RIDGID Independent Service Center or any service or repair questions:

- Contact your local RIDGID distributor.
- Visit www.RIDGID.com or www.RIDGID.eu to find your local RIDGID contact point.
- Contact RIDGID Technical Services Department at rtctechservices@emerson.com, or in the U.S. and Canada call (800) 519-3456

Disposal

Parts of the hydraulic pipe bender contain valuable materials and can be recycled. There are companies that specialize in recycling that may be found locally. Dispose of the components in compliance with all applicable regulations. Contact your local waste management authority for more information.



For EC Countries: Do not dispose of electrical equipment with household waste!

According to the European Guideline 2002/96/EC for Waste Electrical and Electronic Equipment and its implementation into national legislation, electrical equipment that is no longer usable must be collected separately and disposed of in an environmentally correct manner.

Troubleshooting

PROBLEM	POSSIBLE REASONS	SOLUTION
Ram Does Not Advance.	Release Knob Not Fully Closed. Fill Cap Is Closed. Low Oil Level. Clogged Oil Filter. Air In Hydraulic System. Seals Are Worn/Damaged.	Close Release Knob. Open Fill Cap Two Full Turns. Check Oil Level. Change Hydraulic Oil/Clean Filter. Operate Bender Unloaded To Remove Air From System. Have Bender Serviced.
Motor Does Not Start.	Power Supply Not Connected. Motor Too Hot. Circuit Breaker Open.	Connect Power Supply. Allow Motor To Cool Down. Depress Circuit Breaker Reset On Motor Control. Check Power Supply Circuit Breaker.
Oil Leaks.	Seals Are Worn/Damaged.	Have Bender Serviced.
Pipe Kinks Or Buckles.	Pipe Wall Is Too Thin. Former is wrong size for pipe.	<i>See Description/Specification Section.</i> Use correct former.
Pipe Won't Bend.	Ram Does Not Advance. Pipe Wall Too Thick/Pipe Too Hard.	See Above <i>See Description/Specification Section.</i>

Cintreuse

Cintreuse hydraulique



AVERTISSEMENT

Familiarisez-vous avec ce mode d'emploi avant d'utiliser l'appareil. L'incompréhension ou le non respect des consignes ci-devant pourrait occasionner des chocs électriques, un incendie et/ou de graves lésions corporelles.

Cintreuse hydraulique

Notez ci-dessous le numéro de série indiqué sur la plaque signalétique de l'appareil pour future référence.

N° de
série

--

Table des matières

Fiche d'enregistrement du numéro de série de l'appareil	15
Symboles de sécurité	17
Consignes générales de sécurité	
Sécurité des lieux.....	17
Sécurité électrique	17
Sécurité individuelle	18
Utilisation et entretien de l'appareil	18
Révisions	18
Consignes de sécurité spécifiques	
Sécurité de la cintreuse hydraulique	19
Description et caractéristiques techniques	
Description	19
Caractéristiques techniques.....	19
Icônes	19
Inspection préalable.....	21
Préparation de l'appareil et des lieux.....	22
Consignes d'utilisation	
Positionnement du tuyau	24
Cintrage manuel.....	24
Cintrage du tuyau.....	24
Redressement des cintrages effectués	25
Consignes d'entretien	
Nettoyage.....	27
Lubrification	27
Vérification et apport d'huile hydraulique.....	27
Vidange d'huile hydraulique.....	27
Accessoires	27
Stockage et transport de l'appareil	28
Révisions et réparations	28
Recyclage	28
Dépannage	29
Garantie à vie	Page de garde

*Traduction de la notice originale

Symboles de sécurité

Des symboles et mots clés spécifiques, utilisés à la fois dans ce mode d'emploi et sur l'appareil lui-même, servent à signaler d'importants risques de sécurité. Ce qui suit permettra de mieux comprendre la signification de ces mots clés et symboles.



Ce symbole sert à vous avertir aux dangers physiques potentiels. Le respect des consignes qui le suivent vous permettra d'éviter les risques de blessures graves ou mortelles.

DANGER

Le terme DANGER signifie une situation dangereuse potentielle qui, faute d'être évitée, provoquerait la mort ou de graves blessures corporelles.

AVERTISSEMENT

Le terme AVERTISSEMENT signifie une situation dangereuse potentielle qui, faute d'être évitée, serait susceptible d'entraîner la mort ou de graves blessures corporelles.

ATTENTION

Le terme ATTENTION signifie une situation dangereuse potentielle qui, faute d'être évitée, serait susceptible d'entraîner des blessures corporelles légères ou modérées.

NOTA

Le terme NOTA signifie des informations concernant la protection des biens.



Ce symbole indique la nécessité de lire le manuel soigneusement avant d'utiliser le matériel. Le mode d'emploi renferme d'importantes informations concernant la sécurité d'utilisation du matériel.



Ce symbole indique la nécessité de porter des lunettes de sécurité étanches ou à visières lors de la manipulation ou utilisation de l'appareil afin de limiter les risques de blessure oculaire.



Ce symbole indique un risque d'écrasement des mains, des doigts et autres membres.



Ce symbole indique un risque de choc électrique.



Ce symbole indique un risque de renversement de l'appareil susceptible d'entraîner des blessures corporelles.

Consignes générales de sécurité*

AVERTISSEMENT

Familiarisez-vous avec l'ensemble du mode d'emploi. Le non-respect des consignes d'utilisation et de sécurité ci-après augmenterait les risques de choc électrique, d'incendie et/ou de grave blessure corporelle.

CONSERVEZ TOUTES CONSIGNES D'UTILISATION ET DE SECURITE POUR FUTURE REFERENCE !

Le terme « appareil » utilisé dans les consignes de sécurité s'applique à la fois aux appareils sur secteur et sur pile.

Sécurité des lieux

- **Assurez-vous de la propreté et du bon éclairage des lieux.** Les zones encombrées ou mal éclairées sont une invitation aux accidents.
- **N'utilisez pas d'appareils électriques en présence de matières explosives telles que liquides, gaz ou poussières combustibles.** Les appareils électriques produisent des étincelles susceptibles d'enflammer les poussières et émanations combustibles.

- **Eloignez les enfants et les curieux lors de l'utilisation d'un appareil électrique.** Les distractions risquent de vous faire perdre le contrôle de l'appareil.

Sécurité électrique

- **La fiche de l'appareil doit être parfaitement adaptée à la prise électrique utilisée. Ne jamais tenter d'adapter une fiche à une prise incompatible. Ne jamais utiliser d'adaptateur de prise sur un appareil équipé d'une fiche avec terre.** L'utilisation de fiches et de prises compatibles limitera les risques de choc électrique.
- **Evitez tout contact avec les objets reliés à la terre tels que canalisations, radiateurs, cuisinières et réfrigérateurs.** Tout contact avec la terre augmenterait les risques de choc électrique.
- **N'exposez pas l'appareil à la pluie ou aux intempéries.** Toute pénétration d'eau à l'intérieur d'un appareil électrique augmenterait les risques de choc électrique.
- **Ne maltraitez pas le cordon d'alimentation de l'appareil. Ne jamais utiliser le cordon d'alimentation**

*Comme il se doit, le chapitre Consignes générales de sécurité ci-présent est tiré textuellement de la norme CSA 745/UL 45 correspondante. Il s'agit donc de consignes générales applicables à une variété d'appareils électriques. Certaines des précautions mentionnées ne s'appliquent pas à l'ensemble des appareils, et certaines ne sont pas applicables à l'appareil ci-présent.

pour porter, tirer ou débrancher l'appareil. Eloignez le cordon d'alimentation des sources de chaleur, de l'huile, des objets tranchants et des mécanismes. Les cordons d'alimentation endommagés ou enchevêtrés augmentent les risques de choc électrique.

- **Lors de l'utilisation d'un appareil électrique à l'extérieur, utilisez également une rallonge électrique prévue à cet effet.** L'utilisation d'une rallonge électrique homologuée pour usage extérieur limitera les risques de choc électrique.
- **Lorsque l'utilisation d'un appareil électrique dans un milieu humide s'avère inévitable, assurez-vous que son réseau d'alimentation est protégé par un disjoncteur différentiel (GFCI).** La présence d'un disjoncteur différentiel limite les risques de choc électrique.

Sécurité individuelle

- **Soyez attentif et faites preuve de bon sens lors de l'utilisation de tout appareil électrique. N'utilisez pas d'appareil électrique lorsque vous êtes sous l'influence de drogues, de l'alcool ou de médicaments.** Lors de l'utilisation d'un appareil électrique, un instant d'inattention risque d'entraîner de graves lésions corporelles.
- **Prévoyez les équipements de protection individuelle nécessaires. Portez systématiquement une protection oculaire.** Selon les conditions d'utilisation envisagées, prévoyez le masque à poussière, chaussures antidérapantes, casque de chantier et protecteurs d'oreilles nécessaires.
- **Évitez les démarrages accidentels en vous assurant que l'interrupteur marche/arrêt de l'appareil se trouve en position «arrêt» avant de le brancher.** Le fait de porter un appareil électrique avec son doigt sur la gâchette, voire de le brancher lorsque son interrupteur se trouve en position «marche» serait une invitation aux accidents.
- **Retirez toutes clés de réglage éventuelles avant de mettre l'appareil en marche.** Une clé laissée sur un élément rotatif quelconque de l'appareil risque de provoquer des accidents.
- **Ne vous mettez pas en porte-à-faux. Maintenez une bonne position de travail et un bon équilibre à tout moment.** Cela vous permettra de mieux contrôler l'appareil en cas d'imprévu.
- **Habillez-vous de manière appropriée. Ne portez ni vêtements amples, ni bijoux. Eloignez vos cheveux, vos vêtements et vos gants des mécanismes.** Les vêtements flottants, les bijoux et les

cheveux longs risquent d'être entraînés par les éléments rotatifs de l'appareil.

- **Assurez-vous du bon raccordement et exploitation des dispositifs de récupération de poussière éventuels.** Les dispositifs de récupération des poussières limitent les risques associés à celles-ci.

Utilisation et entretien de l'appareil

- **Ne forcez pas l'appareil. Prévoyez l'appareil le mieux adapté aux travaux envisagés.** Un appareil adapté fera le travail plus efficacement et avec un plus grand niveau de sécurité lorsqu'il tourne au régime prévu.
- **N'utilisez pas d'appareil électrique dont l'interrupteur n'assure pas sa mise en marche ou son arrêt.** Tout appareil électrique qui ne peut pas être contrôlé par son interrupteur est dangereux et doit être réparé.
- **Débranchez l'appareil et/ou retirez ses piles avant tout réglage, stockage ou changement d'accessoires.** De telles mesures préventives limiteront les risques de démarrage accidentel de l'appareil.
- **Rangez tout appareil non utilisé hors de la portée des enfants et des individus qui n'ont pas été familiarisés avec ce type de matériel ou son mode d'emploi.** Les appareils électriques sont dangereux entre les mains d'utilisateurs non initiés.
- **Entretenez l'appareil soigneusement. Examinez-le pour signes de mauvais alignement, grippage ou bris des composants, voire toute autre anomalie susceptible de nuire à son bon fonctionnement. Le cas échéant, l'appareil devra être réparé avant toute utilisation future.** De nombreux accidents sont le résultat d'appareils mal entretenus.
- **Entretenez soigneusement les outils. Vérifiez l'affûtage et la propreté des outils de coupe.** Les outils de coupe bien entretenus et bien affûtés sont moins susceptibles de gripper et sont plus faciles à contrôler.
- **Utilisez l'appareil, ses mèches et ses accessoires selon les consignes ci-présentes, tout en tenant compte des conditions de travail existantes et de la nature des travaux envisagés.** L'utilisation de cet appareil à des fins non prévues pourrait augmenter les risques d'accident grave.

Service après-vente

- **Confiez la révision de l'appareil à un réparateur qualifié assurant l'utilisation exclusive de pièces de rechanges identiques à celles d'origine.** Cela assurera la sécurité d'emploi de l'appareil.

Consignes de sécurité spécifiques

⚠ AVERTISSEMENT

Cette section contient d'importantes informations sur ce type d'appareil particulier.

Lisez les précautions d'emploi ci-après soigneusement avant de vous servir d'une cintreuse hydraulique RIDGID® afin de limiter les risques de choc électrique et d'accident grave.

CONSERVEZ CES INSTRUCTIONS !

Gardez ce manuel avec l'appareil afin qu'il puisse servir à tout utilisateur éventuel.

Sécurité de la cintreuse hydraulique

- **Eloignez vos doigts et vos mains des accessoires de cintrage et du tuyau en cours d'opération.** Tout contact éventuel pourrait occasionner l'entraînement, l'écrasement ou l'amputation des membres par le mécanisme ou les objets environnants.
- **Soutenez le tuyau ou le tube de manière appropriée.** Cela aidera à éviter le renversement du tuyau et de l'appareil.
- **Le déplacement du tuyau en cours de cintrage peut entraîner de graves blessures.** S'assurer qu'il dispose d'une refuite suffisante avant d'entamer son cintrage.
- **Les cintreuses hydrauliques font appel à un liquide sous haute pression pour générer des forces importantes. La pression du liquide est telle que le liquide est capable de pénétrer la peau. L'importance des forces développées est capable de briser l'appareil et d'en projeter les débris de manière dangereuse.** Eloignez-vous de l'appareil en cours d'opération et portez systématiquement les équipements de protection appropriés, y compris une protection oculaire.
- **Un seul individu doit contrôler à la fois le processus de cintrage et le fonctionnement de l'appareil. Cet individu doit être le seul en présence durant le fonctionnement de la cintreuse.** Ceci limitera les risques d'accident.
- **Familiarisez-vous avec ce mode d'emploi et les consignes de sécurité applicables à l'ensemble du matériel associé avant d'utiliser la cintreuse.** Le non respect de ces consignes pourrait entraîner des dégâts matériels et/ou de graves lésions corporelles.
- **Utilisez exclusivement les méthodes de travail et accessoires de cintrage RIDGID ci-après préconisés avec cette cintreuse hydraulique.** Toute autre

utilisation ou modification de la cintreuse hydraulique pourrait endommager l'appareil ou ses accessoires et provoquer des lésions corporelles.

Au besoin, une copie de la Déclaration de conformité CE (890-011-320.10) accompagnera ce manuel en tant que livret indépendant.

En cas de questions concernant ce produit RIDGID® :

- Consultez votre distributeur RIDGID.
- Consultez les sites www.RIDGID.com ou www.RIDGID.eu pour localiser le représentant RIDGID le plus proche.
- Consultez les services techniques de RIDGID par mail adressé à rtctechservices@emerson.com, ou, à partir des Etats-Unis et du Canada, en composant le (800)519-3456.

Description et caractéristiques techniques

Description

Les cintreuses hydrauliques RIDGID assurent le cintrage à froid haute précision des tuyaux et tubes métalliques de 1/4" à 4" de diamètre (selon modèle). Le bâti à flasque sur charnière des cintreuses hydrauliques RIDGID facilite l'accès au tuyau lors de son ajustage et retrait. Ces cintreuses sont disponibles en version manuelle ou électrique.

Les cintreuses hydrauliques RIDGID servent généralement au cintrage des types de tuyau suivants :

- EN 10255, séries moyenne et renforcée
- ASTM A53, séries 40 et 80
- DIN 2440, série 2441
- BS 1387, séries moyenne et renforcée
- GB/3091 (ISO 559), séries moyenne et renforcée

Il se peut que les tuyaux à parois plus épaisses, ayant une dureté supérieure à 75 HRB ou une résistance à la traction supérieure à 66 ksi/455 MPa ne puissent pas être cintrés. Les tuyaux de section extérieure et épaisseur de parois semblables aux tuyaux répertoriés pourront éventuellement être cintrés si leur composition le permet. Les tuyaux ayant des épaisseurs de parois inférieures à celles indiquées pourront être cintrés, mais risquent d'être plissés ou bouclés au droit du cintrage.

Icônes



Ne pas jeter le matériel électrique dans les ordures ménagères



Trou de remplissage



Poids



Marche



Arrêt

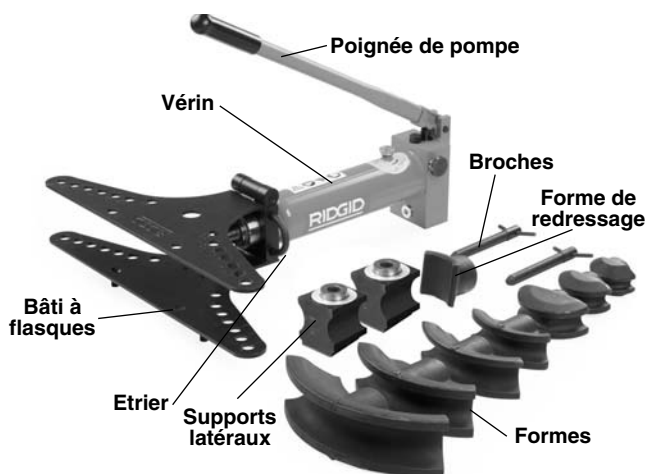


Figure 1 – Cintreuse hydraulique manuelle de 2" à 3"



Figure 2 – Cintreuse hydraulique électrique de 2" à 3"



Figure 3 – Numéro de série de l'appareil

Le numéro de série de l'appareil est situé sur le flanc de la pompe. Les quatre derniers chiffres indiquent le mois et l'année de fabrication (03 = mois, 10 = année).

AVIS IMPORTANT Le choix des matériaux, ainsi que des méthodes d'installation, de raccordement et de cintrage utilisées est la responsabilité du concepteur et/ou de l'installateur du système. L'utilisation de matériaux ou méthodes inadaptés pourrait entraîner la défaillance du système.

L'acier inoxydable et autres matériaux anticorrosion risquent d'être contaminés lors de leur installation, raccordement et cintrage. Une telle contamination pourrait entraîner leur corrosion et, par conséquent, leur défaillance prématurée. Une analyse approfondie des matériaux et méthodes utilisés en fonction des conditions d'exploitation existantes, tant sur le plan thermique que chimique, devrait précéder tout projet d'installation.

Caractéristiques

Cintreuse

Réf.	Capacité (pouces)	Pression hydraulique (bar)	Force vérin (kN/klb)	Type de pompe	Moteur		Dimensions approximatives de l'appareil L x P x H (mm)	Formes standards	Poids d'expédition		Dimensions de caisse L x P x H (cm)
					Tension/Fréquence	Tension kw			lb	kg	
HB382	3/8" - 2"	450	90 (20,1)	manuelle	N/A	N/A	73 x 63,5 x 62 28,8" x 25" x 24,4"	3/8", 1/2", 3/4", 1", 1 1/4", 1 1/2", 2"	159	72	82 x 33 x 49,5 32,3" x 13" x 19,5"
HB382E	3/8" - 2"	450	90 (20,1)	électrique	230/50Hz 1Φ 230/60Hz 3Φ 115/60Hz 1Φ 400/50Hz 3Φ	1,4 1,5 1,4 1,5	73 x 63,5 x 43 28,8" x 25" x 16,9"	3/8", 1/2", 3/4", 1", 1 1/4", 1 1/2", 2"	211	96	82 x 39,5 x 60 32,3" x 15,6" x 23,6"
HB383	3/8" - 3"	450	146 (32,7)	manuelle	N/A		75,5 x 103 x 62 29,8" x 40,6" x 24,4"	3/8", 1/2", 3/4", 1", 1 1/4", 1 1/2", 2", 2 1/2", 3"	344	156	117 x 37,5 x 49,5 46,1" x 14,8" x 19,5"
HB383E	3/8" - 3"	450	146 (32,7)	électrique	230/50Hz 1Φ 230/60Hz 3Φ 115/60Hz 1Φ 400/50Hz 3Φ	1,4 1,5 1,4 1,5	75,5 x 103 x 62 29,8" x 40,6" x 24,4"	3/8", 1/2", 3/4", 1", 1 1/4", 1 1/2", 2", 2 1/2", 3"	401	182	117 x 46,5 x 62 46,1" x 18,3" x 24,1"

Température de fonctionnement : de 14°F à 122°F (-10°C à 50°C). Se reporter au chapitre *Entretien* pour plus de précisions.

Les cintreuses sont livrés avec les formes et supports adaptés à la plage les courbures prévues, le tout conditionné dans une caisse en bois réutilisable. Les formes sont dimensionnées pour les tuyaux DIN 2440 et leurs équivalents indiqués ci-après :

Formes

Réf.	Ø nominal		Ø extérieur		Ep. parois				Rayon de courbure*		Poids		Tuyau** Type/norme
	Pouces	mm	Pouces	mm	Mini		Maxi		Pouces	mm	lbs	kg	
					Pouces	mm	Pouces	mm					
37218	1/4"		0,540	13,5	0,08	2,2	0,16	4	2,36	60	2,2	1	EN10255, ASTM A53
37223	3/8"		0,675	17,2	0,09	2,3	0,16	4	1,77	45	1,8	0,8	EN10255, ASTM A53
37228	1/2"		0,840	21,3	0,10	2,6	0,16	4	1,97	50	2,4	1,1	EN10255, ASTM A53
37233	3/4"		1,050	26,9	0,10	2,6	0,16	4	3,15	80	4,0	1,8	EN10255, ASTM A53
37238	1"		1,315	33,7	0,13	3,2	0,20	5	4,33	110	4,0	1,8	EN10255, ASTM A53
37243	1 1/4"		1,660	42,4	0,13	3,2	0,20	5	5,31	135	4,6	2,1	EN10255, ASTM A53
37248	1 1/2"		1,990	48,3	0,13	3,2	0,20	5	6,10	155	9,5	4,3	EN10255, ASTM A53
37253	2"		2,375	60,3	0,14	3,6	0,22	5,5	8,66	220	14,4	6,5	EN10255, ASTM A53
37258	2 1/2"		2,875	76,1	0,14	3,6	0,28	7	12,60	320	38,5	17,5	EN10255, ASTM A53
37263	3"		3,500	88,9	0,16	4,0	0,30	7,6	15,35	390	59,9	27,2	EN10255, ASTM A53

* Rayon de courbure à l'axe du tuyau. ** Se reporter à la notice descriptive

Inspection préalable

⚠ AVERTISSEMENT



Avant chaque utilisation, inspectez la cintreuse hydraulique afin de corriger toute anomalie qui pourrait l'endommager, et limiter les risques de blessure corporelle grave par choc électrique, écrasement des membres ou autres causes.

1. S'il s'agit d'une cintreuse électrique, assurez-vous que son interrupteur marche/arrêt se trouve en position « arrêt » (○) et que son cordon d'alimentation est débranché.
2. Éliminez toutes traces d'huile, de graisse et de crasse du mécanisme de la cintreuse et au niveau de ses poignées et commandes. Cela facilitera l'inspection de la cintreuse et aidera à mieux la maîtriser en cours d'utilisation.
3. Examinez la cintreuses pour signes de :
 - Fuites hydrauliques. Vérifiez le niveau d'huile hydraulique et faites le point si nécessaire (*reportez-vous à la section Entretien*).
 - Bris, fissuration, torsion, absence, désalignement ou grippage de pièces, voire toute autre anomalie susceptible de nuire au bon fonctionnement et à la sécurité de la cintreuse.
 - Fissuration ou rupture des formes et des supports latéraux.

- Détérioration ou modification du cordon d'alimentation et de sa fiche.
- Présence et lisibilité de l'affiche de sécurité (*se reporter aux figures 4A et 4B*).

N'utilisez pas la cintreuse avant que toute anomalie éventuellement constatée au cours de son inspection ait été corrigée.

Manuelle



Figure 4A – Affiche de sécurité (manuelle)



Figure 4B – Affiche de sécurité (électrique)

4. Afin d'assurer le bon fonctionnement de l'ensemble, examinez et entretenez tout autre matériel éventuellement utilisé selon les instructions correspondantes.

Préparation de l'appareil et des lieux

⚠ AVERTISSEMENT



Préparez la cintreuse et les lieux selon la procédure suivante afin de limiter les risques de blessure par renversement de l'appareil, écrasement des membres ou autres causes, ainsi que pour éviter d'endommager la cintreuse.

1. Prévoyez un lieu de travail présentant les caractéristiques suivantes :
 - Suffisamment d'éclairage.
 - Absence de liquides, vapeurs ou poussières combustibles qui risquent de s'enflammer. Ce matériel n'est pas blindé et risque de produire des étincelles.
 - Une zone de travail à la fois dégagée, stable et sèche sur laquelle installer le matériel et son utilisateur.
 - Une fiche d'alimentation électrique de tension appropriée et disposant d'une mise à la terre convenable. En cas de doute, faire inspecter la fiche par un électricien qualifié.
2. Nettoyez la zone de travail avant d'installer le matériel. Éliminez toutes traces d'huile ou autres liquides. Débarrassez la zone de tout objet que pourrait éventuellement heurter un tuyau en cours de cintrage.
3. Examinez le tuyau à cintrer et la zone de travail pour confirmer que vous disposez de l'appareil et des formes appropriés (consulter la section *Caractéristiques techniques*). Ne jamais tenter de cintrer un tuyau d'un diamètre supérieur à la capacité de la cintreuse. Cela risquerait d'endommager la cintreuse.
4. Assurez-vous que le matériel utilisé a reçu une inspection préalable appropriée.

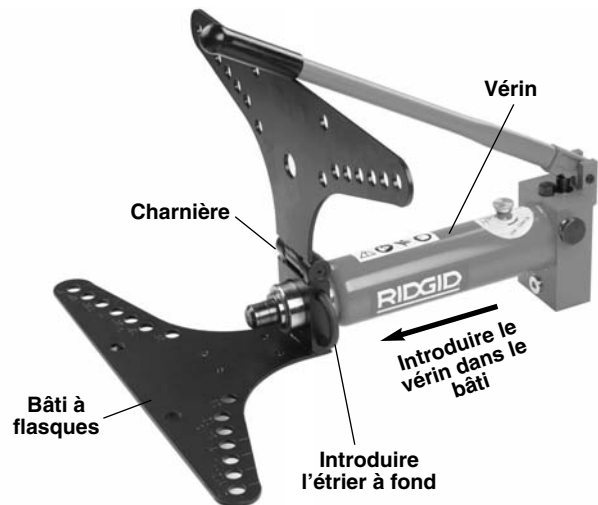


Figure 5 – Assemblage des cintreuses 2" et 3"

5. Assemblage

Les cintreuses doivent être montés à même le sol ou sur une surface appropriée. Les diverses parties d'une cintreuse sont lourdes et peu maniables. Utilisez des méthodes de transport et de levage appropriées.

Lors de l'utilisation d'un trépied à roulettes ou à plaque tournante, montez l'appareil de la manière suivante :

- Posez le bâti de la cintreuse avec sa flasque articulée vers le haut.
- Introduisez le vérin à fond dans l'orifice du bâti de la cintreuse. Alignez l'encoche du piston sur l'arrière du bâti.
- Introduisez l'étrier dans la gorge laissée entre le bâti et le vérin.
- Positionnez les supports latéraux de taille appropriée sur les trous de montage de la flasque inférieure qui correspondent au diamètre de tuyau à cintrer.
- Introduisez le broches à travers les flasques et supports.



Figure 6 – Cintreuse manuelle Ø 2" et 3" assemblée



Figure 7 – Cintreuse électrique Ø 2" et 3" assemblée

6. Dévissez le bouchon de remplissage du vérin de deux tours complets. Cela créera l'entrée d'air nécessaire au bon fonctionnement de l'appareil (Figure 10).

Mise sous tension des cintreuses électriques

1. Assurez-vous que l'interrupteur « I O » (marche/arrêt) de l'appareil se trouve en position « O ».
2. Assurez-vous que le cordon d'alimentation de l'appareil est éloigné de la zone de travail. Faites courir le cordon jusqu'à la prise de courant via un passage dégagé, puis, avec les mains sèches, branchez-le. Maintenez toutes connexions au sec et surélevées. Si le cordon d'alimentation de l'appareil n'est pas suffisamment long, servez-vous d'une rallonge électrique :
 - En bon état
 - Disposant d'une fiche compatible avec la prise du cordon d'alimentation de l'appareil.
 - Prévus pour une utilisation à l'extérieur et dont la mention « W » ou « W-A » fait partie de sa désignation (SOW, par ex.) ou qui est conforme aux normes H05VV-F et H05RN-F, ou bien aux normes 60227 IEC 53 et 60245 IEC 57.
 - Disposant d'une section de fils conducteurs suffisante, à savoir : 16 AWG (1,5 mm²) pour une longueur inférieure à 50 pieds (15,20 m) et 14 AWG (2,5 mm²) pour une longueur de 50 à 100 pieds (15,20 à 30,50 m). Une section de fils insuffisante risque de surchauffer au point de faire fondre la gaine isolante de la rallonge et provoquer un incendie ou autres dégâts.

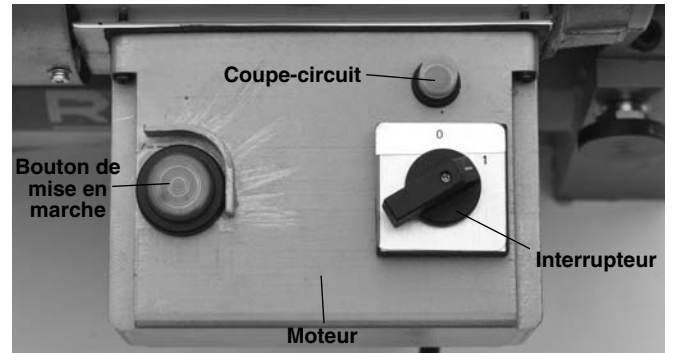


Figure 8 – Commandes de cintreuse électrique

3. Assurez-vous du bon fonctionnement de la cintreuse.

Mettez l'interrupteur à la position « I ». Appuyez momentanément sur le bouton de mise en marche. Si l'interrupteur et le bouton de mise en marche ne contrôlent pas le fonctionnement du moteur, n'utilisez pas l'appareil avant sa réparation.

Appuyez longuement sur le bouton de mise en marche afin de déceler d'éventuels signes de désalignement, de grippage, de bruits anormaux ou autres anomalies. Le cas échéant, n'utilisez pas l'appareil avant sa réparation.

Ramenez l'interrupteur à la position « O ».

Consignes d'utilisation

⚠ AVERTISSEMENT



Eloignez vos doigts et vos mains des accessoires de cintrage et du tuyau en cours d'opération. Il y a risque d'écrasement, de fracture ou d'amputation des membres en cas de contact avec la cintreuse ou les composants de la cintreuse et autres objets.

Soutenez l'appareil et le tuyau de manière appropriée. Cela aidera à éviter le renversement du tuyau et du matériel.

Le déplacement du tuyau en cours de cintrage est susceptible de heurter ou d'écraser vos membres. S'assurer que le tuyau dispose d'une refuite suffisante avant de le cintrer.

Respectez les consignes d'utilisation suivantes afin de limiter les risques de blessure par entraînement, choc physique, écrasement, choc électrique et autres causes.

Positionnement du tuyau

1. lieux sont dépourvus de spectateurs ou autres distractions. Assurez-vous que l'interrupteur se trouve en position « O ».
2. Au besoin, marquez le tuyau à l'endroit approprié.
3. Retirez les broches des supports latéraux et relevez la flasque supérieure.
4. Sélectionnez une forme de cintrage qui correspond à la section du tuyau à cintrer. Un diamètre et une référence sont indiqués sur chaque forme. Reportez-vous aux sections *Caractéristiques* pour tous les détails. Positionnez la forme en bout du piston de vérin.
5. Positionnez le tuyau devant la forme et, au besoin, prévoyez des porte-tubes pour soutenir le tuyau en cours d'opération. Le centre de la forme est pourvu d'un trait d'alignement central. Assurez-vous que le tuyau sera correctement soutenu durant toute l'opération de cintrage afin d'éviter le renversement de l'ensemble.
6. Graissez le côté des supports latéraux qui entre en contact avec le tuyau. Positionnez-les face aux trous appropriés, tel qu'indiqué sur la forme de cintrage. La cintreuse risque d'être endommagée en cours d'opération si les supports latéraux ne sont pas positionnés symétriquement et au bon endroit.



Figure 9 – Positionnement du tuyau

7. Rabattez la flasque supérieure et introduisez les broches à fond à travers les flasques et les supports latéraux. Alignez les supports latéraux de manière à ce que le repère «zéro» des indicateurs d'angle s'alignent sur le repère du flasque supérieur (Figure 12).
8. Assurez-vous de la parfaite stabilité de la cintreuse et du tuyau.

Avancement et retrait du piston

Tournez la molette de verrouillage de la pompe hydraulique en sens horaire pour fermer le circuit et faire avancer le piston (Figure 10). Pour le ramener en arrière, tournez la molette en sens anti-horaire. Un ressort interne repoussera le piston en arrière.

Pompe manuelle

Actionnez le levier de la pompe pour faire avancer le piston. N'utilisez pas de rallonges de levier, car cela pourrait endommager l'appareil ou provoquer des accidents.



Figure 10 – Positions de la molette de verrouillage (Avancer/Rétracter)

Pompe électrique

Mettez l'interrupteur en position « I », puis appuyez sur le bouton de mise en marche pour faire avancer le piston. En fin de cintrage, ramenez l'interrupteur à la position « O » afin d'éteindre l'appareil avant de rétracter son piston.

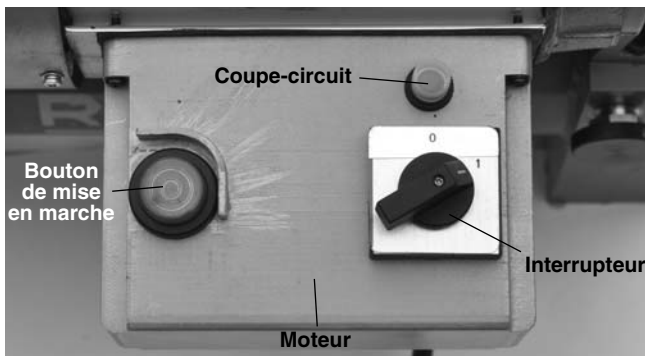


Figure 11 – Commandes du moteur

Cintrage du tuyau

1. Positionnez-vous parallèlement au vérin, côté molette de pompe, pour ne pas avoir à passer la main au-dessus de l'appareil en cours d'opération. Faites avancer le piston. Lorsque la forme atteint le tuyau, avancez le piston lentement et précautionneusement, tout en alignant le sommet de courbe voulu sur le repère de la forme. Continuez de faire avancer le

piston jusqu'à ce que le tuyau vienne à peine en contact avec les supports latéraux. Ne laissez pas vos doigts, vos mains ou autres membres dans une position qui leur permettrait d'être coincés ou écrasés.

- Assurez-vous que la position des supports latéraux est bien celle indiquée sur la forme pour le type de tuyau à cintrer et que les broches sont enfoncées à fond de par et d'autre du bâti (Figure 12). Sinon, la cintreuse risque d'être endommagée en cours d'opération. Vérifiez que les deux extrémités du tuyau dépassent suffisamment des supports latéraux pour ne pas s'échapper en cours de cintrage. Reportez-vous au Tableau 1.

Tableau 1 – Longueur minimale du tuyau à partir de l'axe de la broche.

Ø extérieur du tuyau		Distance minimale de l'axe de broche à l'extrémité du tuyau	
pouces	mm	pouces	mm
1/4	13,5	1,57	40
3/8	17,2	1,57	40
1/2	21,3	1,86	47,2
3/4	26,9	2,01	51
1	33,7	2,13	54
1 1/4	42,4	2,27	57,7
1 1/2	48,3	2,49	63,3
2	60,3	2,22	56,4
2 1/2	76,1	33,31	84
3	88,9	3,66	93

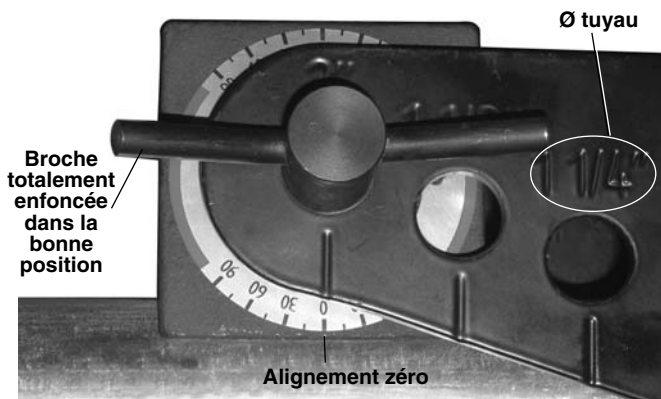


Figure 12 – Alignement de l'indicateur d'angle au départ du cintrage



Figure 13 – Utilisation d'une cintreuse manuelle



Figure 14 – Utilisation d'une cintreuse électrique

- Continuez de faire avancer le piston pour cintrer le tuyau. Les extrémités du tuyau se déplaceront au fur et à mesure de cintrage. Restez à l'écart du tuyau durant l'opération. Contrôlez les indicateurs d'angle (Figure 15). La moyenne des angles indiqués sur chaque indicateur correspond approximativement à l'angle total de cintrage.

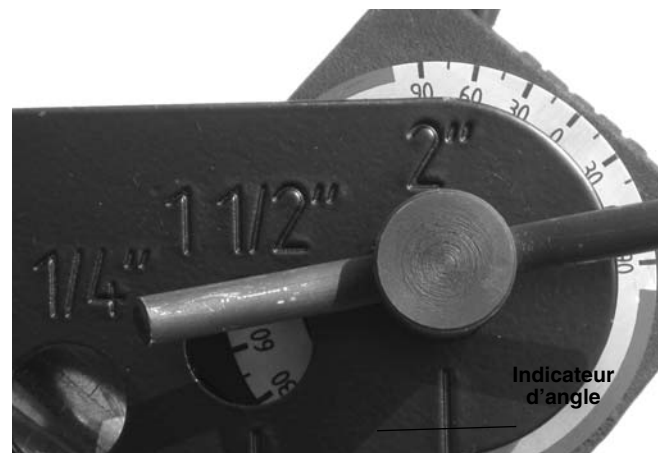


Figure 15 – Indicateur d'angle en fin de cintrage

Gardez l'œil sur le piston lors de son avancement. Si une petite rainure apparaît (Figure 16), arrêtez l'avancement afin d'éviter d'éventuelles fuites hydrauliques et la détérioration du vérin.

- Le cintrage des tuyaux de 2,5 et 3 pouces de diamètre nécessitera l'utilisation d'une rallonge de piston pour obtenir un coude à 90°. Dès que la rainure du piston (Figure 16) apparaît, arrêtez de faire avancer le piston. Assurez-vous que le tuyau est correctement soutenu afin de l'empêcher de naviguer ou de tomber. Ramenez la molette de verrouillage suffisamment pour rétracter le piston et ramener le vérin suffisamment pour permettre la rallonge de piston d'être positionnée entre l'embout du piston et la forme. Introduisez la rallonge, puis avancez le piston doucement. Ne mettez pas vos doigts, vos mains ou autres parties du corps en position d'être entraînés ou écrasés.

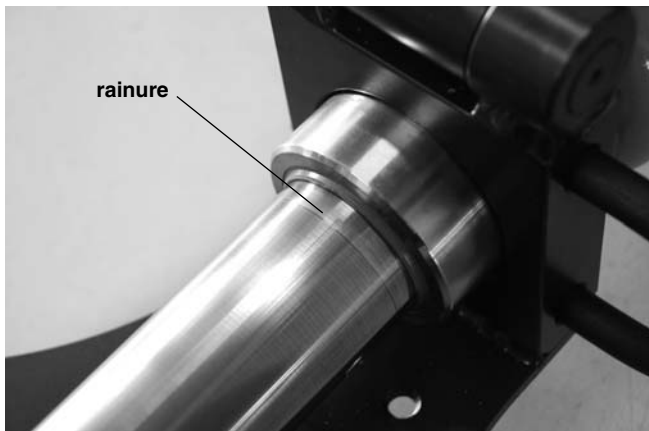


Figure 16 – Rainure du piston

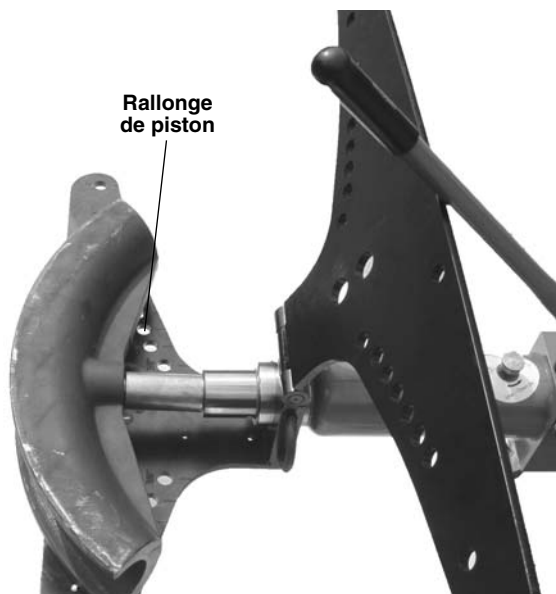


Figure 17 – Insertion de la rallonge de piston (en position ouverte et sans tuyau pour raisons de clarté)

Lorsque le degré de courbure est atteint, arrêtez de faire avancer le piston. Ne jamais tenter d'obtenir un rayon de courbure de plus de 90 degrés (selon l'indicateur d'angle), car cela risquerait de plier ou endommager le tuyau. Le recours à une équerre ou autre dispositif de mesure peut s'avérer nécessaire pour obtenir un rayon de courbure précis. Dans tous les cas, il est préférable de courber le tuyau trop peu que d'avoir à le redresser. Dans la mesure où le tuyau risque de se redresser un peu une fois le piston rétracté, il sera parfois nécessaire de le cintrer un peu plus pour obtenir la courbe voulue.

- En fin de cintrage, ramenez l'interrupteur à la position « **O** », puis rétractez le piston en tournant la molette à la position « Rétracter ».
- Retirez le tuyau de la cintreuse. Au besoin, retirez les broches, les supports latéraux, et/ou relevez la flasque supérieure. Si la forme reste collée au tuyau, servez-vous d'un bout de bois ou d'un maillet en bois ou caoutchouc pour la déloger. Ne jamais utiliser de marteaux, de coins ou autres objets durs pour décoller la forme. Ceux-ci pourraient endommager ou ébrécher la forme et causer des blessures.

Redressage des cintres

Il est prévu une forme de redressage pour légèrement recifier les cintres sur un rayon maximum d'environ 10 degrés. A noter que l'utilisation d'une forme de redressage risque de déformer le cintre. A noter aussi que cette forme ne peut pas servir dans certains cas, notamment dans le cas des coudes à 90° sur les tuyaux de 2 1/2", 3" ou 4" de diamètre. La forme de redressage s'utilise de la manière suivante :

- Positionnez la forme de redressage en bout du piston.
- Positionnez le tuyau avec sa partie cintrée en appui contre la forme de redressage, et ses jambes contre les supports latéraux. Vérifiez la symétrie de l'installation et le bon positionnement des supports latéraux afin d'éviter d'endommager la cintreuse.

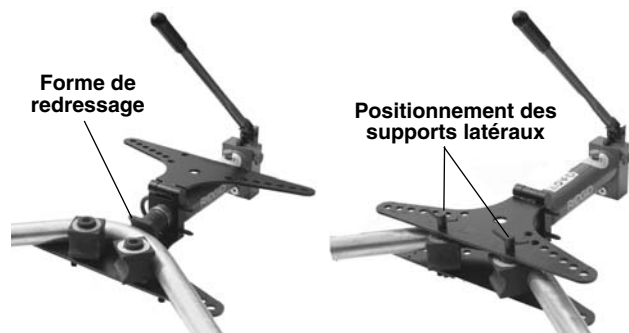


Figure 18 – Redressage d'un cintre

- Reprenez les étapes de la section «Cintrage du tuyau».

Entretien

⚠ AVERTISSEMENT

Respectez les consignes d'entretien suivantes afin d'optimiser la longévité de la cintreuse et limiter les risques de blessure par choc électrique et autres causes.

Nettoyage

Après chaque utilisation, servez-vous d'un chiffon sec et propre pour éliminer toutes traces de crasse ou d'huile de la cintreuse. Éliminez surtout toutes traces de débris qui pourraient endommager la surface polie et les joints du vérin. Les formes et les supports latéraux peuvent être éventuellement nettoyés à l'aide d'une brosse métallique.

Lubrification

Appliquez mensuellement, voire plus souvent si nécessaire, une couche d'huile ou de graisse légère sur les axes de poignée, la charnière de flasque supérieure et les broches. Ne pas mettre de lubrifiant sur les composants du système hydraulique.

Huile hydraulique

Vérification et appoint du niveau d'huile hydraulique

Contrôlez le niveau d'huile avant chaque utilisation. Posez la cintreuse sur une surface plane et de niveau avec son piston complètement rétracté. Retirez le bouchon de remplissage et vérifiez que le niveau d'huile arrive jusqu'au bas de l'orifice de remplissage. Au besoin, faites l'appoint avec de l'huile hydraulique Shell Tellus 32 ou d'une huile de qualité similaire, puis réinstallez le bouchon. Reportez-vous à la *Figure 10* pour localiser le bouchon de remplissage.

Vidange de l'huile hydraulique

L'huile hydraulique doit être changée annuellement, voire plus souvent en cas d'utilisation intense ou conditions poussiéreuses.

Placez l'extrémité «pompe» du vérin hydraulique dans un récipient de récupération d'huile. Le bouchon de vidange se trouve en partie basse du vérin (*Figure 19*). Retirez le bouchon, le ressort de filtre et le filtre afin de laisser s'écouler l'huile hydraulique. Retirez le bouchon de remplissage et inclinez le vérin légèrement pour améliorer l'écoulement. La vidange complète risque de prendre plusieurs heures. Recyclez l'huile usagée selon les con-

signes de la fiche signalétique de l'appareil et selon la réglementation en vigueur.



Figure 19 – Bouchon de vidange d'huile hydraulique et accès au filtre

Nettoyez le filtre en le rinçant avec de l'huile hydraulique fraîche. Réinstallez le filtre propre ou le filtre de remplacement, suivi du ressort et du bouchon de vidange. Remplissez la cintreuse d'huile hydraulique fraîche selon les consignes de mise à niveau précédentes. Actionnez la cintreuse sur plusieurs cycles afin de purger l'air du système, puis vérifiez le niveau d'huile.

Capacité d'huile

HB-382	1,27 QT (1,20 l)
HB-383	1,70 QT (1,60 l)

Utilisation à basse températures

Lors de l'utilisation de l'appareil à des températures inférieures à 14°F (-10°C), il est conseillé de remplacer l'huile hydraulique existante par une huile hydraulique de qualité comparable, mais de viscosité adaptée.

Accessoires

⚠ AVERTISSEMENT

Afin de limiter les risques de blessure grave, n'utilisez que les accessoires prévus et recommandés pour les cintreuses hydrauliques RIDGID, tels que ceux indiqués ci-dessous. Toute tentative d'adaptation d'accessoires prévus pour des appareils autres que les cintreuses hydrauliques RIDGID pourrait s'avérer dangereuse.

Accessoires pour cintreuse hydraulique

Référence	Désignation
37293	Broches pour HB382/HB382E
37273	Supports latéraux pour HB382/HB382E
37603	Etrier pour HB382/HB382E
37618	Forme de redressage pour HB382/HB382E
37298	Broches pour HB383/HB383E
37278	Supports latéraux pour HB383/HB383E
37838	Etrier pour HB383/HB383E
37828	Roues pour HB382/HB382E/HB383/HB383E
37813	Trépied à plaque tournante pour HB382/HB382E/hb383E
38568	Rallonge pour HB-383/383E

Stockage et transport de l'appareil

NOTA La cintreuse hydraulique doit être stockée à l'intérieur ou à l'abri des intempéries. Stockez l'appareil dans un local sécurisé, à l'abri des enfants et de tous ceux qui n'ont pas été familiarisés avec les cintreuses hydrauliques. Cet appareil peut devenir très dangereux entre les mains d'un novice. Stockez l'appareil à une température ambiante située entre -10°C (14°F) et 50°C (122°F).

Afin d'éviter le déversement d'huile hydraulique, fermez systématiquement le bouchon de remplissage du vérin avant de déplacer la cintreuse.

Révisions et réparations

⚠ AVERTISSEMENT

La sécurité d'emploi de l'appareil dépend d'un entretien approprié.

La section *Entretien* couvrira la grande majorité des besoins d'entretien de l'appareil. La solution à tout problème éventuel qui n'est pas traité dans cette section doit être confiée à un réparateur RIDGID agréé.

Le cas échéant, il sera nécessaire de confier l'appareil à un réparateur RIDGID agréé ou de le renvoyer à l'usine.

Pour obtenir les coordonnées du réparateur RIDGID le plus proche ou pour toutes questions visant l'entretien et la réparation de l'appareil :

- Consultez votre distributeur RIDGID.
- Consultez les sites www.RIDGID.com ou www.RIDGID.eu pour localiser le représentant RIDGID le plus proche.
- Consultez les services techniques de RIDGID par mail adressé à rttechservices@emerson.com, ou, à partir des États-Unis et du Canada, en composant le (800)519-3456.

Recyclage de l'appareil

Certains composants de la cintreuse hydraulique contiennent des matières de valeur susceptibles d'être recyclées. Il se peut que certaines des entreprises de recyclage concernées se trouvent localement. Disposez de ces composants selon la réglementation en vigueur. Pour de plus amples renseignements, consultez votre centre de recyclage local.



A l'attention des pays de la CE : Ne pas jeter les composants électriques à la poubelle !

Selon la norme européenne 2002/96/EC visant les déchets de matériel électrique et électronique et son application vis-à-vis de la législation nationale, tout matériel électrique non utilisable doit être collecté à part et recyclé d'une manière écologiquement responsable.

Dépannage

ANOMALIE	CAUSE POSSIBLE	REMEDE
Le vérin n'avance pas.	Molette de verrouillage desserrée. Bouchon de remplissage fermé. Manque d'huile. Colmatage du filtre à huile. Présence d'air dans le système hydraulique. Joints d'étanchéité usés ou endommagés.	Serrer la molette de verrouillage. Ouvrir le bouchon de remplissage sur deux tours complets. Vérifier le niveau d'huile. Remplacer l'huile et nettoyer le filtre. Faire tourner la cintreuse à vide afin d'évacuer l'air du système. Faire réviser la cintreuse.
Le moteur ne démarre pas.	Appareil débranché. Surchauffe du moteur. Coupe-circuit ouvert.	Brancher l'appareil. Laisser refroidir le moteur. Réarmer le coupe-circuit du moteur. Réarmer le coupe-circuit du réseau d'alimentation.
L'huile fuit de l'appareil.	Joints d'étanchéité usés ou endommagés.	Faire réviser la cintreuse.
Les tuyaux sont déformés.	Parois de tuyau trop mince. Matrice de cintrage (forme) inadaptée à la section du tuyau.	Se reporter à la rubrique <i>Description et caractéristiques techniques</i> . Utiliser la matrice appropriée.
Le tuyau refuse d'être cintré.	Le vérin n'avance pas. Tuyau aux parois trop épaisses ou de composition trop résistante.	Voir plus haut. Se reporter à la rubrique <i>Description et caractéristiques techniques</i> .

Doblatubos

Doblatubos hidráulica



ADVERTENCIA

Antes de utilizar esta máquina, lea su manual del operario detenidamente. Si no se comprenden y respetan las instrucciones de este manual, podrían ocurrir descargas eléctricas, incendios y/o lesiones personales graves.

Doblatubos hidráulica

Apunte aquí el número de serie de la máquina ubicado en su placa de características.

No. de serie

--

Índice

Ficha para apuntar el Número de Serie de la máquina	31
Simbología de seguridad	33
Normas de seguridad general	
Seguridad en la zona de trabajo	33
Seguridad eléctrica	33
Seguridad personal	34
Uso y cuidado de la máquina.....	34
Servicio	34
Normas de seguridad específica	
Seguridad de la doblatabos hidráulica.....	35
Descripción y especificaciones	
Descripción	35
Especificaciones	35
Íconos	35
Revisión previa al funcionamiento	37
Preparación de la máquina y de la zona de trabajo	38
Instrucciones de funcionamiento	
Montaje del tubo	40
Avance y retracción del ariete	40
Doblamiento del tubo.....	41
Enderezamiento de una curvatura.....	43
Instrucciones de mantenimiento	
Limpieza.....	43
Lubricación.....	43
Revisión del nivel del aceite y añadimiento de aceite hidráulico	43
Cambio de aceite hidráulico.....	43
Accesorios	44
Almacenamiento y transporte de la máquina	44
Servicio y reparaciones	44
Eliminación de la máquina	45
Detección de averías	45
Garantía vitalicia	carátula posterior

*Traducción del manual original

Simbología de seguridad

En este manual del operario y en el aparato mismo encontrará símbolos y palabras de advertencia que comunican información de seguridad importante. En esta sección se describe el significado de estos símbolos.



Este es el símbolo de una alerta de seguridad. Sirve para prevenir al operario de las lesiones corporales que podría sufrir. Obedezca todas las instrucciones que acompañan a este símbolo de alerta para evitar lesiones o muertes.



Este símbolo de PELIGRO advierte de una situación de riesgo o peligro que, si no se evita, ocasionará muertes o graves lesiones.



Este símbolo de ADVERTENCIA advierte de una situación de riesgo o peligro que, si no se evita, podría ocasionar la muerte o lesiones graves.



Este símbolo de CUIDADO advierte de una situación de riesgo o peligro que, si no se evita, podría ocasionar lesiones leves o moderadas.



Un AVISO advierte de la existencia de información relacionada con la protección de un bien o propiedad.



Este símbolo significa que, antes de usar la máquina, es indispensable leer detenidamente su manual del operario. El manual de la máquina contiene importante información acerca del funcionamiento apropiado y seguro del equipo.



Este símbolo señala que, durante la manipulación y funcionamiento de esta máquina, el operario siempre debe proteger sus ojos con gafas o anteojos de seguridad con viseras laterales para evitar herirse los ojos.



Este símbolo indica que manos, dedos u otras partes del cuerpo humano pueden ser aplastados.



Este símbolo advierte de que pueden ocurrir descargas eléctricas.



Este símbolo advierte de que esta máquina podría volcarse y golpear o aplastar a personas en las inmediaciones.

Normas de seguridad general*



Lea todas las advertencias e instrucciones. Pueden ocurrir golpes eléctricos, incendios y/o lesiones corporales graves si no se siguen todas las instrucciones y respetan las advertencias detalladas a continuación.

¡GUARDE ESTAS INSTRUCCIONES Y ADVERTENCIAS PARA POSTERIOR CONSULTA!

El término "herramienta motorizada" en estas advertencias se refiere a una máquina o aparato motorizado que funciona con electricidad o a pila (inalámbrico).

Seguridad en la zona de trabajo

- **Mantenga su zona de trabajo limpia y bien iluminada.** Las áreas atestadas de cosas u oscuras provocan accidentes.
- **No haga funcionar herramientas eléctricas en presencia de combustibles explosivos, tales como líquidos, gases o polvo inflamables.** Este aparato puede generar chispas, las que podrían inflamar el polvo o las emanaciones combustibles.
- **Mientras haga funcionar un aparato motorizado,**

mantenga apartados a niños y espectadores. Cualquier distracción puede hacerle perder el control del aparato.

Seguridad eléctrica

- **El enchufe de cualquier herramienta eléctrica debe corresponder exactamente al tomacorriente al que se conecta. Jamás utilice un enchufe adaptador para conectar a la corriente eléctrica una herramienta motorizada provista de conexión a tierra.** El enchufe original de la máquina conectado al tomacorriente correcto reduce el riesgo de que ocurran descargas eléctricas.
- **Evite el contacto de su cuerpo con artefactos conectados a tierra tales como cañerías, radiadores, estufas o cocinas y refrigeradores.** Aumenta el riesgo de que se produzcan descargas eléctricas cuando su cuerpo ofrece conducción a tierra.
- **No exponga esta máquina a la lluvia o a la humedad.** Si a una herramienta eléctrica le entra agua, aumenta el riesgo de que ocurran descargas eléctricas.
- **No maltrate el cordón eléctrico de la máquina. Nunca se valga del cordón de suministro para transportar, jalar o desenchufar un aparato motori-**

* El texto de la sección *Normas de seguridad general* en este manual ha sido copiado palabra por palabra, como es obligatorio, de la norma CSA 745/UL 45. Esta sección contiene procedimientos de seguridad general aplicables al uso de diversos tipos de herramientas motorizadas. No todas las precauciones rigen para cada herramienta, y algunas no le competen a esta máquina.

zados. Mantenga el cordón lejos del calor, aceite, bordes cortantes o piezas móviles. Los cordones enredados o en mal estado aumentan el riesgo de que se produzcan descargas eléctricas.

- **Al hacer funcionar una herramienta motorizada a la intemperie, emplee un cordón de extensión apto para su uso exterior.** Los alargadores de uso exterior evitan descargas eléctricas.
- **Si resulta inevitable hacer funcionar una herramienta motorizada en un lugar húmedo, emplee una fuente de alimentación protegida, provista de un Interruptor del Circuito de Pérdida a Tierra (GFCI, por sus siglas en inglés).** Los interruptores GFCI evitan las descargas eléctricas.

Seguridad personal

- **Manténgase alerta, preste atención a lo que está haciendo y use sentido común cuando haga funcionar una herramienta eléctrica. No la use si está cansado o se encuentra bajo la influencia de drogas, alcohol o medicamentos.** Sólo un breve descuido mientras hace funcionar la máquina puede ocasionar lesiones personales graves.
- **Use el equipo de protección personal que corresponda. Siempre use protección para sus ojos.** Al usar mascarilla para el polvo, calzado de seguridad antideslizante, casco duro o protección para los oídos, según las circunstancias, usted evitará lesionarse.
- **Evite echar a andar la máquina sin querer. Antes de levantar, acarrear, o enchufarla a la electricidad y/o a un bloque de pilas, asegure que su interruptor de encendido se encuentre en posición de OFF (apagada).** Se producen accidentes cuando se enchufan máquinas que tienen su interruptor en la posición de encendido (ON) o si se las traslada con el dedo puesto sobre este interruptor.
- **Antes de encender la máquina, fíjese en que no tenga ningún alicate o llave de regulación acoplado.** Una llave mecánica que se haya dejado montada a una pieza giratoria de la máquina puede ocasionar lesiones corporales.
- **No extienda su cuerpo para alcanzar algo. Mantenga sus pies firmes en tierra y un buen equilibrio en todo momento.** Así se ejerce mejor control sobre la herramienta motorizada en situaciones inesperadas.
- **Vístase adecuadamente. No vista ropa suelta ni joyas. Mantenga su cabello, ropa y guantes apartados de las piezas en movimiento.** La ropa suelta, las joyas o el pelo largo pueden engancharse en las piezas móviles de la máquina.

- **Si la máquina viene con dispositivos para aspirar y recoger el polvo que se genera al trabajar, utilícelos. Asegure que se encuentren bien conectados.** El empleo correcto de estos aspiradores reduce la exposición a riesgos respiratorios.

Uso y cuidado de la máquina

- **No fuerce la máquina. Use la herramienta correcta para la tarea que realizará.** La herramienta adecuada hará el trabajo mejor y de manera más segura, al ritmo para el cual fue diseñada.
- **Si el interruptor de la máquina no la enciende o apaga, no la haga funcionar.** Cualquier herramienta motorizada que no pueda ser controlada mediante su interruptor constituye un peligro y debe ser reparada.
- **Desenchufe la máquina del tomacorriente o extráigale sus pilas antes de efectuarle ajustes, de cambiarle accesorios o de guardarla.** Así no se la echa a andar accidentalmente y evita lesionarse.
- **Almacene las máquinas que no estén en uso fuera del alcance de niños y no permita que los hagan funcionar personas sin capacitación o que no hayan leído su manual.** Las máquinas son peligrosas en manos de inexpertos.
- **Hágale buen mantenimiento a una herramienta motorizada. Revísele sus piezas móviles por si están desalineadas o agarrotadas. Cerciórese de que no tiene piezas quebradas y que no existen condiciones que puedan afectar su buen funcionamiento. Si está dañada, antes de usarla, hágala componer.** Muchos accidentes son el producto de máquinas mal mantenidas.
- **Mantenga los dispositivos de corte afilados y limpios.** Las hojas o cuchillas afiladas tienen menos posibilidades de atascarse o trabarse y resultan más fáciles de controlar.
- **Utilice la máquina, sus accesorios, sus brocas, etc. en conformidad con estas instrucciones, teniendo en cuenta las condiciones imperantes y las tareas que realizarán.** Cuando se emplea un equipo para efectuar operaciones que no le son propias, se crean situaciones peligrosas.

Servicio

- **El servicio del aparato debe encomendarse únicamente a un técnico calificado que emplea repuestos idénticos.** Así se garantiza la continua seguridad de la máquina.

Normas de seguridad específica

⚠ ADVERTENCIA

Esta sección entrega importante información de seguridad que atañe específicamente a esta máquina.

Antes de usar la Doblatubos hidráulica de RIDGID®, lea estas precauciones detenidamente para evitar lesiones corporales graves debidas a aplastamientos, descargas eléctricas u otras causas.

¡GUARDE ESTAS INSTRUCCIONES

Mantenga este manual junto a la doblatubos hidráulica, siempre a la mano del operario.

Seguridad de la Doblatubos hidráulica

- Mantenga sus dedos y manos apartados de los accesorios que doblan el tubo y del tubo mismo durante la operación. Sus dedos, manos u otras partes de su cuerpo pueden quedar atrapados, ser aplastados, fracturados y hasta amputados en el doblatubos o entre sus componentes y otros objetos.
- Sostenga tanto la máquina como el tubo adecuadamente. Así se evita que la máquina se vuelque y/o se caiga el tubo.
- El tubo se mueve cuando esta siendo curvado y podría golpear o aplastar causando lesiones graves. Asegure que haya suficiente espacio libre alrededor del tubo antes de proceder a curvarlo.
- La doblatubos hidráulica emplea líquido de alta presión para generar fuerzas poderosas. El líquido puede penetrar la piel humana. Estas fuerzas pueden quebrar y lanzar piezas que podrían herir a alguien. Apártese de la máquina cuando esté en funcionamiento y siempre lleve puesto el equipo de protección personal, incluso anteojos de seguridad, que corresponda.
- Utilice la Doblatubos hidráulica únicamente con los accesorios recomendados por RIDGID en este manual. Si se los somete a otros usos o modifica, la doblatubos podría dañarse u ocasionar lesiones corporales.

El folleto de la Declaración de Conformidad de la Comunidad Europea (890-0011-320.10) vendrá adosado a este manual cuando se requiera.

Si tiene cualquier pregunta acerca de este producto RIDGID®:

- Contacte al distribuidor de RIDGID en su localidad.
- Por internet visite el sitio www.RIDGID.com ó www.RIDGID.eu para averiguar dónde se encuentran los centros autorizados de RIDGID más cercanos.

- Llame al Departamento de Servicio Técnico de RIDGID desde EE.UU. o Canadá al (800) 519-3456 o escriba a rtctechservices@emerson.com.

Descripción y especificaciones

Descripción

Las Doblatubos hidráulicas de RIDGID permiten doblar, en frío y con precisión, tubos y conductos metálicos de 1/4 hasta 4 pulgadas Ø (según cuál sea la unidad). El armazón de doblamientos alado de estas doblatubos RIDGID permite, con gran facilidad, montar y extraer el tubo que se desea curvar. Se dispone de Doblatubos tanto manuales como eléctricas. Se dispone de Doblatus tanto manuales como eléctricas.

Por lo general, las Doblatubos Hidráulicas de RIDGID están diseñadas para curvar los siguientes tipos de tubos:

- EN 10255 Medianos y Pesados
- ASTM A53 Tipos 40 y 80
- DIN 2440, serie 2441
- BS 1387 Medianos y Pesados
- GB/3091 (ISO 559) Medianos y Pesados

Es posible que tubos de pared más gruesa y/o de alta dureza (por sobre 75 HRb) y resistencia (superior a 66ksi/455 MPa Tensile) no puedan ser doblados. Es probable que tubos de un diámetro exterior y grosor de pared comparables a los de los listados más arriba puedan doblarse, dependiendo de las características del material de fabricación de cada tubo. Tubos de pared más delgada podrán doblarse pero a la vez sufrir deformaciones: combarse o torcerse en la zona de la curvatura.

Íconos



No elimine equipos eléctricos junto con la basura doméstica



Boca del depósito



Peso



Encendida

Apagada

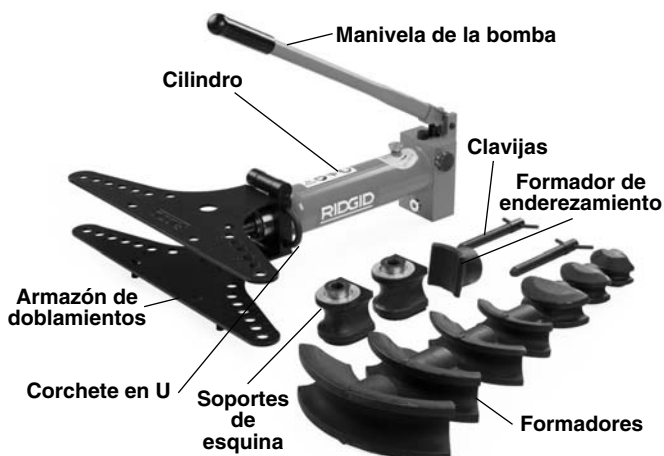


Figura 1 – Doblatabos hidráulica manual para tubos de 2 y 3 pulgs. Ø



Figura 2 – Doblatabos hidráulica eléctrica para tubos de 2 y 3 pulgs. Ø



Figura 3 – N° de serie de la máquina

El número de serie de la máquina está ubicado en la parte inferior de la bomba. Los últimos 4 dígitos indican el mes y el año en que fue fabricada: (03= marzo, 10= 2010).

AVISO Es responsabilidad del diseñador y/o instalador del sistema o red de tuberías el seleccionar los materiales apropiados y los métodos de instalación, unión y formación pertinentes. El uso de materiales indebidos y métodos incorrectos podría causar defectos estructurales y la falla del sistema.

Durante la instalación, unión o formación de una red, los materiales de acero inoxidable y otros resistentes a la corrosión pueden contaminarse. Esta contaminación podría causar oxidación y fallas prematuras. De allí la necesidad de efectuar, con anterioridad a la instalación, una evaluación cuidadosa de los materiales y métodos que se piensa emplear. Así se determina si son los adecuados para el servicio que prestarán y si capaces de resistir las sustancias químicas y las temperaturas a las que se les someterá.

Especificaciones

Doblatubos

Modelo N°	Ø conducto en pulgs.	Presión de bombeo (bar)	Fuerza del ariete kN(klb)	Tipo de bomba	Motor disponible		Dimensiones aprox. del equipo largo x ancho x alto (cm)	Formadores estándar	Peso al embarque		Dimensiones del embalaje largo x ancho x alto (cm)
					voltaje y frecuencia	voltios kw			lbs.	Kgs.	
HB382	3/8 - 2	450	90 (20,1)	manual	no disp.	no disp.	73 x 63,5 x 62 28,8" x 25" x 24,4"	3/8", 1/2", 3/4", 1", 1 1/4", 1 1/2", 2"	159	72	82 x 33 x 49,5 32,3" x 13" x 19,5"
HB382E	3/8 - 2	450	90 (20,1)	eléctrica	230/50Hz 1Φ 230/60Hz 3Φ 115/60Hz 1Φ 400/50Hz 3Φ	1,4 1,5 1,4 1,5	73 x 63,5 x 43 28,8" x 25" x 16,9"	3/8", 1/2", 3/4", 1", 1 1/4", 1 1/2", 2"	211	96	82 x 39,5 x 60 32,3" x 15,6" x 23,6"
HB383	3/8 - 3	450	146 (32,7)	manual	no disp.		75,5 x 103 x 62 29,8" x 40,6" x 24,4"	3/8", 1/2", 3/4", 1", 1 1/4", 1 1/2", 2", 2 1/2", 3"	344	156	117 x 37,5 x 49,5 46,1" x 14,8" x 19,5"
HB383E	3/8 - 3	450	146 (32,7)	eléctrica	230/50Hz 1Φ 230/60Hz 3Φ 115/60Hz 1Φ 400/50Hz 3Φ	1,4 1,5 1,4 1,5	75,5 x 103 x 62 29,8" x 40,6" x 24,4"	3/8", 1/2", 3/4", 1", 1 1/4", 1 1/2", 2", 2 1/2", 3"	401	182	117 x 46,5 x 62 46,1" x 18,3" x 24,1"

Temperaturas de utilización: 14° a 122°F / -10°C a 50°C (para mayor información, consulte la sección *Mantenimiento*)

Todas las doblatubos vienen con los formadores correspondientes y soportes de esquina para toda la gama de diámetros de tubos. Vienen embaladas en una caja de madera reutilizable. Los formadores son para tubos DIN 2440 y equivalentes y se listan a continuación:

Formadores

N° en el catálogo	Ø nominal tubo		Ø ext. del tubo		Espesor pared del tubo				Radio de la curvatura*		Peso		Tubo** Tipo/Estándar
	pulgs	mms.	pulgs.	mms.	MIN		MÁX		pulgs.	mms.	lbs.	Kgs.	
					pulgs.	mms.	pulgs.	mms.					
37218	1/4"	0,540	13,5	0,08	2,2	0,16	4	2,36	60	2,2	1	EN10255, ASTM A53	
37223	3/8"	0,675	17,2	0,09	2,3	0,16	4	1,77	45	1,8	0,8	EN10255, ASTM A53	
37228	1/2"	0,840	21,3	0,10	2,6	0,16	4	1,97	50	2,4	1,1	EN10255, ASTM A53	
37233	3/4"	1,050	26,9	0,10	2,6	0,16	4	3,15	80	4,0	1,8	EN10255, ASTM A53	
37238	1"	1,315	33,7	0,13	3,2	0,20	5	4,33	110	4,0	1,8	EN10255, ASTM A53	
37243	1 1/4"	1,660	42,4	0,13	3,2	0,20	5	5,31	135	4,6	2,1	EN10255, ASTM A53	
37248	1 1/2"	1,990	48,3	0,13	3,2	0,20	5	6,10	155	9,5	4,3	EN10255, ASTM A53	
37253	2"	2,375	60,3	0,14	3,6	0,22	5,5	8,66	220	14,4	6,5	EN10255, ASTM A53	
37258	2 1/2"	2,875	76,1	0,14	3,6	0,28	7	12,60	320	38,5	17,5	EN10255, ASTM A53	
37263	3"	3,500	88,9	0,16	4,0	0,30	7,6	15,35	390	59,9	27,2	EN10255, ASTM A53	

* Radio de la curvatura al eje central del tubo.

** Para mayor información, consulte *Descripción*.

Revisión previa al funcionamiento

⚠ ADVERTENCIA



Antes de cada uso, inspeccione la doblatubos y solucione cualquier problema que detecte para reducir el riesgo de sufrir lesiones graves debidas a descargas eléctricas, aplastamientos u otras causas y evitar que se dañe la máquina.

1. Si utilizará una doblatubos eléctrica, asegure que se encuentra desenchufada y su interruptor de encendido en la posición APAGADA (○).
2. Limpie el aceite, grasa y mugre sobre la máquina, especialmente los desechos que detecte en sus mangos y controles. Esto permitirá una mejor revisión de la doblatubos y reduce el riesgo de que ésta o sus mandos resbalen de sus manos.
3. Revise la doblatubos para asegurar que no tiene:
 - Fugas de líquido hidráulico. Revise el nivel del líquido hidráulico en el depósito. Si le falta, añada líquido (vea la sección *Mantenimiento*).
 - Piezas quebradas, resquebrajadas, que le faltan, mal colocadas o agarrotadas, que podrían impedir el normal y buen funcionamiento de la doblatubos.

- Grietas o quebraduras en los formadores y soportes de esquina.
- Cordón de suministro y/o su enchufe dañados o modificados (por ej., enchufe sin contacto de conexión a tierra).
- Su etiqueta de advertencias despegada o ilegible. *Vea las Figuras 4A y 4B.*

Si al examinarla detecta problemas, no use la doblatabos hasta que no hayan sido resueltos.



Figura 4A – Etiqueta de advertencias en la Doblatabos manual



Figura 4B – Etiqueta de advertencias en la Doblatabos eléctrica

4. Si en conjunto con la doblatabos está utilizando cualquier otro equipo, revíselo según sus propias instrucciones para asegurar que funciona debidamente.

Preparación de la máquina y de la zona de trabajo

ADVERTENCIA



Prepare la doblatabos y la zona de trabajo de acuerdo a los siguientes procedimientos con el fin de reducir el riesgo de que la máquina se vuelque, hiera o aplaste a alguien, o se dañe.

1. Verifique que en la zona de trabajo:
 - haya suficiente luz.
 - no haya líquidos, vapores o polvareda inflamables que puedan provocar un incendio. Este equipo no es a prueba de explosión y puede despedir chispas.
 - haya un lugar nivelado, estable, y seco para situar al operario y la máquina.
 - un tomacorriente del voltaje apropiado y debidamente conectado a tierra. Si tiene dudas al respecto, consulte a un electricista con licencia.
2. Despeje y limpie la zona de trabajo antes de instalar el equipo. Seque la zona de aceites o líquidos. Aparte todo lo que podría topar el tubo mientras se le curva.
3. Inspeccione el tubo que se va a doblar. Cerciórese de que dispone de la herramienta y los formadores correctos para la tarea por delante. *Consulte la sección Especificaciones.* No trate de curvar tubos que exceden las especificaciones de la doblatabos. Podría dañarse.
4. Asegure que la totalidad del equipo que utilizará ha sido revisado.

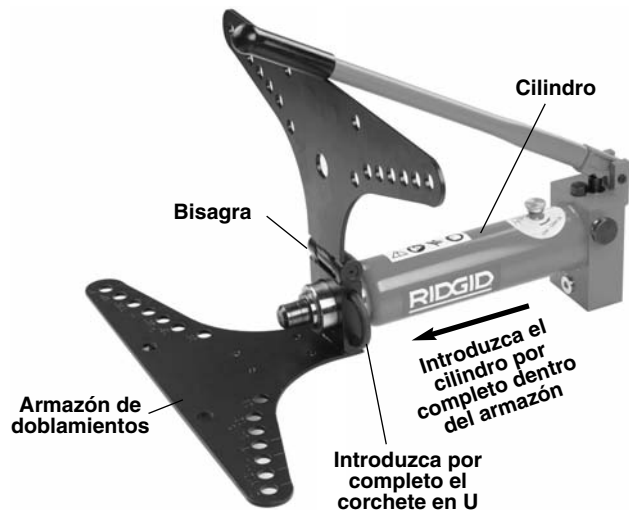


Figura 5 – Ensambladura de las doblatabos de 2 y 3 pulgadas

5. Ensamblaje:

La doblatabos debe situarse en el suelo o en una superficie muy firme y estable. Las piezas y partes de la doblatabos son pesadas y sobresalen para todos lados. Levante y téngala poniendo en práctica las técnicas debidas para no dañar su espalda.

Si montará la doblatabos sobre un accesorio, ya sea un soporte con ruedas o un trípode giratorio, siga estas instrucciones para montarla correctamente.

 - Coloque el armazón de doblamientos con su parte con bisagra hacia arriba.

- Introduzca el extremo del cilindro por la boca posterior del armazón de doblamientos. Alinee la ranura en el cilindro con la parte trasera del armazón de doblamientos.
- Introduzca por completo el corchete en U a través de la unión entre el armazón de doblamientos y el cilindro.
- Coloque los soportes de esquina -del tamaño apropiado para el tubo que se curvará- en el ala inferior del armazón, encima de los agujeros correspondientes al tamaño de tubo que se va a curvar.
- Introduzca las clavijas a través de los soportes de esquina y ambas alas.



Figura 6 – Doblatubos manual de 2 y 3 pulgs. ensamblada



Figura 7 – Doblatubos eléctrica de 2 y 3 pulgs. ensamblada

6. Abra la tapa del depósito de aceite ubicada en la parte superior del cilindro dándole dos vueltas completas. Así le entra el aire necesario al depósito durante el uso de la doblatubos (Figura 10).

Alimentación de una Doblatubos eléctrica

1. Cerciórese de que el interruptor de encendido (I O) de la doblatubos eléctrica se encuentra en la posición APAGADA (O).
2. Revise que el cordón eléctrico no moleste en la zona de trabajo. Extiéndalo por un sendero despejado hasta el tomacorriente y, con sus manos secas, enchúfelo. Mantenga todas las conexiones eléctricas secas y elevadas del suelo. Si el cordón eléctrico no alcanza hasta el tomacorriente, utilice un cordón de extensión que:
 - esté en buenas condiciones.
 - tenga un enchufe que corresponde al de la herramienta.
 - esté clasificado para uso exterior, rotulado W ó W-A en el cordón (por ejemplo, SOW), o que cumpla con los tipos H05VV-F ó H05RN-F o diseños IEC (60227 IEC 53, 60245 IEC 57).
 - del calibre necesario (16 AWG (1,5mm²) para uno de 50 pies (15,2 m) de largo o menos, 14 AWG (2,5mm²) para uno de 50 a 100 pies (15,2 a 30,5 m) de largo). Los alargadores con alambres de insuficiente calibre se recalientan, se les derrite su aislamiento y provocan incendios u otros daños.

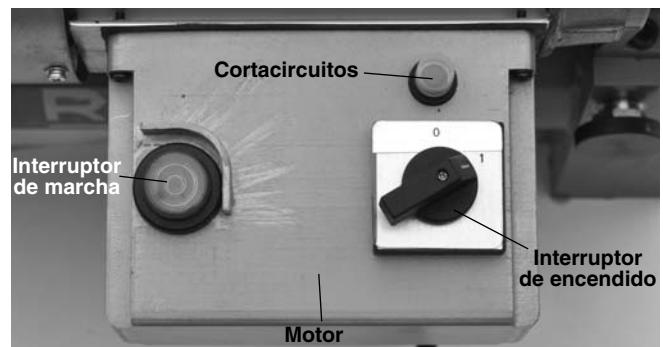


Figura 8 – Mandos de la Doblatubos eléctrica

3. Revise la Doblatubos para cerciorarse de que funciona correctamente.

Mueva el interruptor de encendido hasta la posición de ENCENDIDA (I). Oprima y suelte el interruptor de marcha. Si el interruptor de encendido y el de marcha no controlan el funcionamiento del motor, no use la Doblatubos hasta que no haya sido reparada.

Oprima y mantenga oprimido el interruptor de marcha. Revise que no esté desalineado, que no se pega ni mete ruidos extraños. Suéltelo. Si detecta cualquier condición anormal, no utilice la máquina hasta que sea reparada.

Mueva el interruptor de encendido a su posición (O) apagada.

Instrucciones de funcionamiento

⚠ ADVERTENCIA



Durante el doblamiento de un tubo, mantenga sus dedos y manos apartados de las piezas de doblamiento y el tubo. Sus dedos, manos u otras partes corporales podrían quedar atrapados, ser aplastados, fracturados y hasta amputados si se enredan en la doblatabos o entre el tubo y la máquina.

Sujete la doblatabos y el tubo correctamente. Así se evita que la máquina y el tubo se vuelquen.

El tubo se mueve cuando esta siendo curvado y podría golpear o aplastar causando lesiones graves. Asegure que haya suficiente espacio libre alrededor del tubo antes de proceder a curvarlo.

Respete estas instrucciones de funcionamiento para reducir el riesgo de que ocurran accidentes por aplastamientos, golpes, descargas eléctricas u otras causas.

Montaje del tubo

1. Asegure que tanto la máquina como la zona de trabajo se encuentran bien preparadas y que en las inmediaciones no haya curiosos ni distracciones. Vuelva a revisar que el interruptor de encendido esté en su posición APAGADA (O).
2. Marque el tubo donde desea doblarlo, si lo estima necesario.
3. Extraiga las clavijas de los soportes de esquina y levante el ala superior del armazón de doblamientos.
4. Seleccione el formador apropiado para el tubo que desea doblar. Los formadores traen marcados su tamaño y su número de identificación. Para mayor información, vea la sección *Especificaciones*. Coloque el formador sobre el extremo del ariete.
5. Coloque el tubo que se va a doblar delante del formador y, si es necesario, coloque soportes debajo del tubo para sujetarlo correctamente en posición de doblamiento. El formador trae al centro una marca para facilitar el alineamiento. Sujete el tubo debidamente para impedir que máquina y/o tubo se caigan durante el funcionamiento.
6. Aplique grasa en el lado de cada soporte de esquina que hará contacto con el tubo. Monte los soportes sobre los agujeros correspondientes, de la forma

marcada en el armazón de doblamientos. Los soportes de esquina deben ir colocados simétricamente en los agujeros correctos, de lo contrario la doblatabos podría averiarse durante el uso.



Figura 9 – Montaje del tubo

7. Baje el ala superior e introduzca las clavijas a través de ambas alas del armazón de doblamientos y de los soportes de esquina. Alinee los soportes de esquina de tal forma que las marcas de cero en los indicadores de ángulo queden alineadas con la marca en el ala superior (*Figura 10*).
8. Vuelva a revisar que la máquina y el tubo estén estables.

Avance y retracción del ariete

Gire la perilla de desenganche en la bomba hidráulica hacia la derecha (avance del ariete) hasta la posición Avance (*vea la Figura 10*). Para retraer o replegar el ariete, gire la perilla de desenganche hacia la izquierda hasta la posición de Retracción. Un resorte interno retraerá el ariete.

Bombeo manual

Suba y baje la manivela de la bomba para que avance el ariete. No emplee extensiones para la manivela porque podrían dañar la manivela o resbalar durante su uso y ocasionar lesiones.

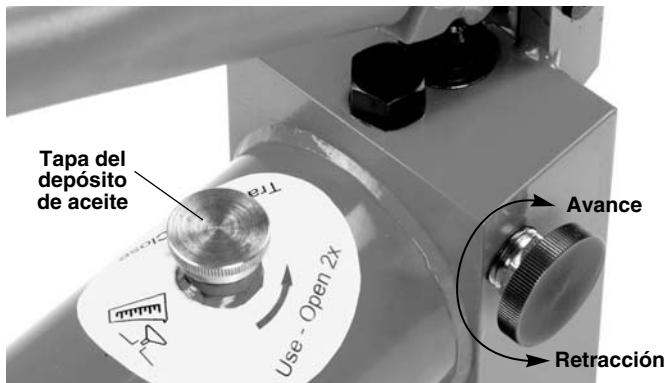


Figura 10 – Posiciones de la perilla de desenganche: Avance y Retracción

Bombeo eléctrico

Mueva el interruptor de encendido a la posición ENCENDIDA (I). Oprima el interruptor de marcha (RUN) para que AVANCE el ariete. Ponga el interruptor de encendido en posición APAGADA (O) cuando no estará en uso o cuando se deba retraer el ariete.

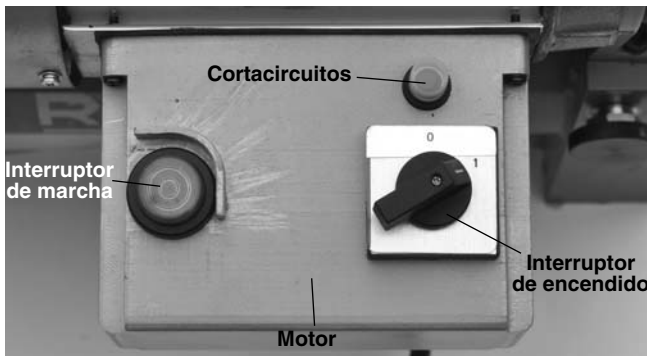


Figura 11 – Mandos del motor

Doblamiento del tubo

1. Párese al costado del cilindro por el mismo lado de la perilla de avanzar y retraer. Nunca estire su cuerpo sobre la doblatubos para alcanzar la perilla desde el otro lado de la máquina. Haga avanzar el ariete. Cuando el formador toque el tubo, lenta y cuidadosamente avance el ariete mientras mantiene alineados el punto del tubo donde se lo desea curvar con el formador. Continúe haciendo avanzar el ariete hasta que el tubo llegue justo a tocar los soportes de esquina. No ponga sus dedos, manos ni ninguna parte de su cuerpo en dónde podrían apretarse o quedar atrapados.
2. Revise que los soportes de esquina estén en la posición correcta (como se indica en el armazón) para el tubo que se doblará, y que las clavijas estén bien insertadas a través de ambas alas del armazón de doblamientos (vea la Figura 12). De lo contrario, la

doblatubos podría dañarse durante su uso. Revise que los extremos del tubo sobresalen lo suficiente más allá de los soportes de esquina para impedir que el tubo no se salga durante el doblamiento. Vea la Tabla 1.

Tabla 1 – Longitud mínima de tubo que debe sobresalir más allá del eje de cada clavija

Ø ext. del tubo		Distancia mín. entre eje de la clavija y extremo del tubo	
pulgada	mm.	pulgada	mm.
1/4	13,5	1,6	40
3/8	17,2	1,6	40
1/2	21,3	1,9	47
3/4	26,9	2,0	51
1	33,7	2,1	54
1 1/4	42,4	2,3	58
1 1/2	48,3	2,5	63
2	60,3	2,2	56
2 1/2	76,1	3,3	84
3	88,9	3,7	93

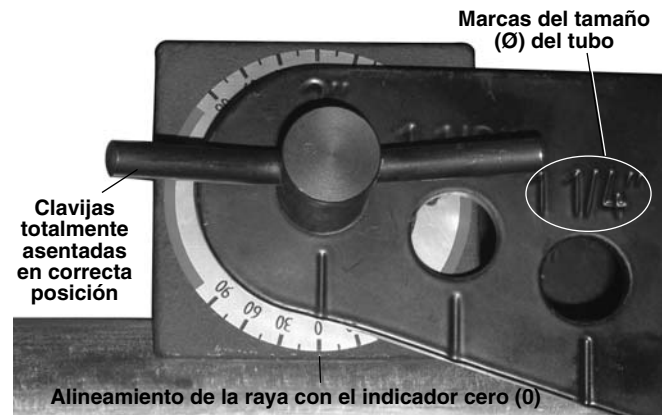


Figura 12 – Alineamiento del indicador de ángulo, principio del doblamiento



Figura 13 – La doblatubos manual en acción



Figura 14 – La doblatubos eléctrica en acción

3. Continúe haciendo avanzar el ariete y doblando el tubo. A medida que se curva el tubo, los extremos se moverán. Apártese del tubo que se mueve. Fíjese en los indicadores de ángulo (*Figura 15*). El promedio de los ángulos medidos por cada indicador de ángulos es aproximadamente igual a la totalidad del ángulo doblado.

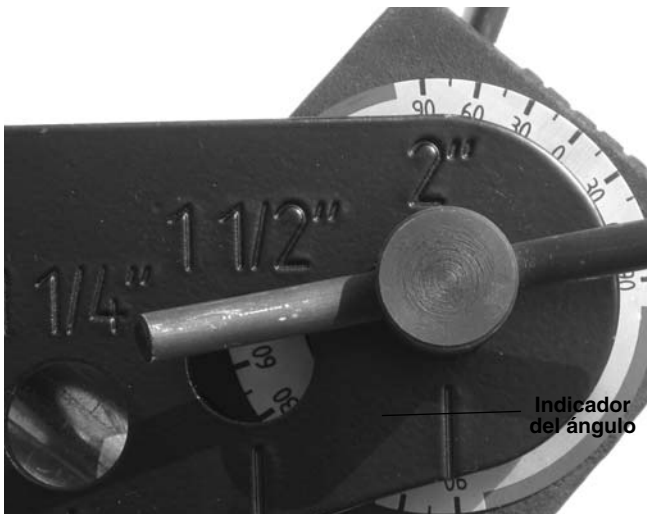


Figura 15 – Indicador del ángulo, término del doblamiento

Observe el ariete a medida que se extiende. Si usted puede ver una pequeña ranura en el ariete (*Figura 16*), no lo haga avanzar más para que no se dañe ni tenga fugas del líquido hidráulico.

4. Para ciertos diámetros de tubería (2 1/2 y 3 pulgadas Ø), deberá emplearse una extensión para el ariete con el fin de que sea capaz de efectuar una curvatura de 90 grados. Cuando la ranura en el ariete pueda verse (*Figura 16*), no avance más el ariete. Cerciórese de que el tubo está bien sujeto de tal forma que no se mueva o caiga. Gire la perilla de desenganche hasta la posición Retracción, y repliegue el ariete lo sufi-

ciente para que la extensión pueda ser introducida entre el extremo del ariete y el formador. Introduzca la extensión y con cuidado avance el ariete. No ponga sus dedos, manos ni otras partes de su cuerpo en lugares donde podrían engancharse o ser aplastados.

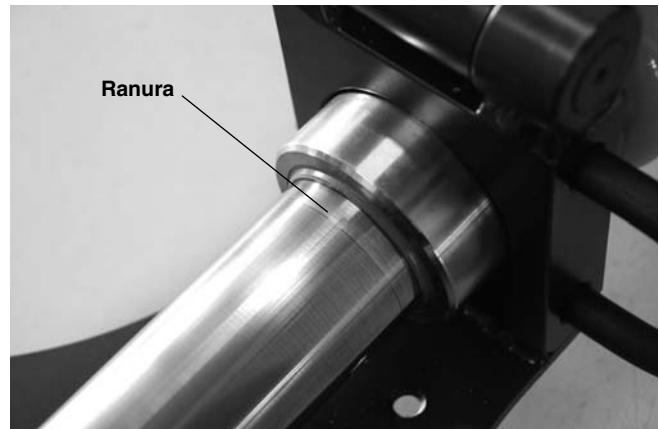


Figura 16 – Ranura en el ariete

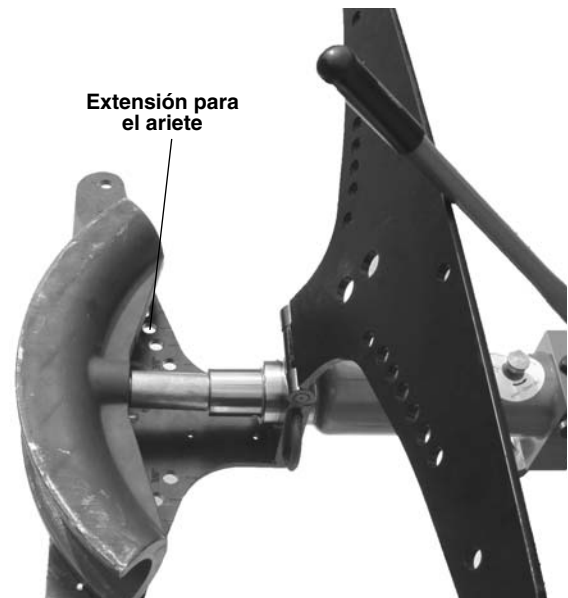


Figura 17 – Introducción de la extensión para el ariete (se muestra abierto, sin tubo, para mayor claridad)

Cuando se haya llegado al grado de doblamiento deseado, no avance más el ariete. No intente formar una curvatura de más de 90 grados (según marca el indicador de ángulo). Podría romperse el tubo o causar problemas. Podría necesitarse una escuadra u otro instrumento para determinar exactamente lo que miden los ángulos de las curvaturas. Es preferible no doblar tanto el tubo a la primera, puesto que es más fácil volverlo a doblar otro poco más, que tener que enderezarlo. Cuando se retracta el ariete, el tubo podría tender a estirarse (volver a su estado

anterior). Es posible que tenga que curvarlo un poco más para lograr el ángulo deseado.

5. Hecho el doblamiento, vuelva el interruptor de encendido a la posición APAGADA (O).
6. Extraiga el tubo de la doblatubos. Si es necesario, desmonte las clavijas, los soportes de esquina y/o levante el ala superior del armazón de doblamientos. Si el formador se ha quedado pegado al tubo, emplee un bloque de madera o un martillo de goma para darle unos golpecitos al formador y despegarlo del tubo. No utilice un martillo o cinceles comunes y corrientes u otras herramientas duras para despegarlo. Pueden desportillarse y dañar el formador y causar lesiones.

Enderezamiento de una curvatura

Hay disponible un formador de enderezamiento para reducir ligeramente el ángulo de una curvatura (hasta unos 10 grados). La curvatura podría deformarse si se utiliza un formador de enderezamiento. En ciertos casos (como curvas de 90 grados en tubos de 2 1/2, 3 o 4 pulgadas Ø) no es posible utilizar un formador de enderezamiento. Para utilizarlo:

1. Coloque el formador de enderezamiento en el extremo del ariete.
2. Coloque el tubo de tal forma que su curvatura se asiente en el formador de enderezamiento y las patas de la curvatura se afirmen contra los soportes de esquina. Los soportes de esquina deben estar colocados simétricamente en los agujeros correctos, de lo contrario la doblatubos podría averiarse durante el uso.

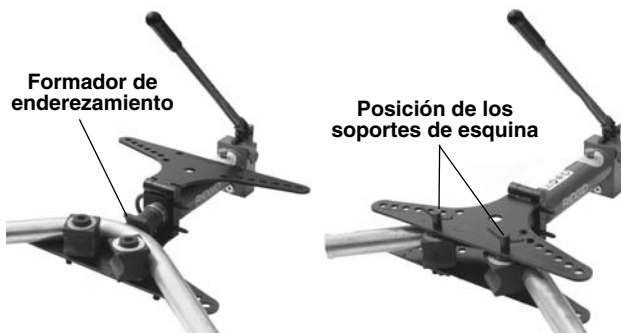


Figura 18 – Enderezamiento de una curvatura

3. Siga los pasos de la sección “Doblamiento del tubo”.

Instrucciones de mantenimiento

⚠ ADVERTENCIA

Hágale mantenimiento a la doblatubos hidráulica según estos procedimientos para una larga vida útil y reducir los riesgos de sufrir lesiones debidas a descargas eléctricas u otras causas.

Limpieza

Después de cada uso, elimine el aceite o grasa sobre la doblatubos y formadores con un paño limpio y seco. Ponga especial atención en la limpieza del ariete y pistón: quíteles cualquier desecho o mugre que pudiera rayar un metal pulido o dañar sellos. Los formadores y los soportes de esquina pueden limpiarse, si es necesario, con un cepillo de alambre.

Lubricación

Mensualmente, o bien más a menudo, aplique aceite de máquina liviano o grasa a los puntos de pivote en la manivela, bisagra de las alas y clavijas. No aplique aceite a los componentes del sistema hidráulico.

Aceite hidráulico

Revisión del nivel del aceite y añadimiento de aceite hidráulico

Antes de cada uso, revise el nivel del aceite. Coloque la doblatubos sobre una superficie plana con su ariete retraído totalmente. Extraiga la tapa del depósito de aceite; el aceite debe llegar hasta la parte inferior del cuello del depósito. Si le falta aceite, añada aceite hidráulico Shell Tellus 32 Hydraulic Oil o uno equivalente de alta calidad. Vuelva a colocarle la tapa. Vea la *Figura 10* para ubicar la tapa del depósito de aceite.

Cambio del aceite

Una vez al año, o con mayor frecuencia si se la somete a uso pesado o en lugares polvorientos, el aceite hidráulico debe reemplazarse.

Coloque el extremo del cilindro, el más cercano a la bomba, en un recipiente que recoja el aceite usado. Directamente debajo del cilindro hay un tapón (*Figura 19*). Extraiga este tapón, el resorte del filtro y el filtro y permita que el depósito se vacíe. Abra la tapa de entrada de aire del depósito de aceite y levante un poco el extremo del cilindro más cercano al ariete para apurar el drenaje. El drenaje podría demorar varias horas. Elimine el aceite hidráulico usado conforme a su Hoja MSDS de Seguridad del Material y las normas locales.



Figura 19 – Tapón de drenaje del depósito de aceite hidráulico y acceso al filtro

Limpie el filtro enjuagándolo en aceite hidráulico limpio. Vuelva a colocar el filtro limpio o uno nuevo, el resorte y el tapón. Llene el depósito de la doblatubos con aceite nuevo siguiendo las instrucciones para añadir aceite. Haga funcionar la doblatubos unos cuantos ciclos para extraer el aire del sistema y vuelva a revisar el nivel del aceite.

Capacidad del depósito de aceite

HB-382/382E	1,27 qt. / 1,2 litros
HB-383/383E	1,70 qt. / 1,6 litros

Funcionamiento a bajas temperaturas

Si se utilizará la Doblatabos hidráulica a temperaturas ambientes inferiores a los 14°F / -10°C, se recomienda reemplazar su aceite hidráulico por uno de alta calidad y apropiado para bajas temperaturas.

Accesorios

⚠ ADVERTENCIA

Para evitar lesiones graves, emplee exclusivamente los accesorios especialmente diseñados y recomendados para usarse con las doblatubos hidráulicas de RIDGID. Otros accesorios que son aptos para usarse con otras máquinas pueden resultar peligrosos si se utilizan con una doblatubos hidráulica de RIDGID.

Accesorios para la Doblatabos hidráulica

No. en el catálogo	Descripción
37293	Clavijas, HB382/HB382E
37273	Soportes de esquina, HB382/HB382E
37603	Corchete en U, HB382/HB382E
37618	Formador de enderezamiento, HB382/HB382E
37298	Clavijas, HB383/HB383E
37278	Soportes de esquina, HB383/HB383E
37838	Corchete en U, HB383/HB383E
37828	Rueditas inferiores, HB382/HB382E/HB383/HB383E
37813	Trípode giratorio, HB382/HB382E/HB383/HB383E
38568	Extensión, HB383/HB383E

Almacenamiento y transporte de la máquina

AVISO La doblatabos hidráulica debe guardarse bajo techo o bien tapada para protegerla de la nieve o la lluvia. Almacene la máquina bajo llave, fuera del alcance de niños o de personas que no saben usarla. En manos de personas sin capacitación, esta máquina puede causar graves lesiones. Almacene la doblatabos a temperaturas sobre 14°F (-10°C) y bajo 122°F (50°C).

Antes de transportarla, siempre cierre bien la tapa del depósito de aceite para evitar fugas de aceite hidráulico.

Servicio y reparaciones

⚠ ADVERTENCIA

Esta máquina puede tornarse insegura si se la repara o mantiene incorrectamente.

Las *Instrucciones de Mantenimiento* describen la mayor parte de los servicios que requiere esta máquina. Cualquier problema que no haya sido abordado en esta sección, debe ser resuelto únicamente por un técnico de reparaciones autorizado por RIDGID.

La máquina debe llevarse a un Servicentro Autorizado RIDGID o ser devuelta a la fábrica.

Para obtener información acerca del Servicentro RIDGID más cercano a su localidad o consultar sobre el servicio o reparación de esta máquina:

- Contacte al distribuidor de RIDGID en su localidad.
- En internet visite el sitio www.RIDGID.com ó www.RIDGID.eu para averiguar dónde se encuentran los centros autorizados de RIDGID más cercanos.
- Llame al Departamento de Servicio Técnico de RIDGID desde EE.UU. o Canadá al (800) 519-3456 o escriba a rttechservices@emerson.com.

Eliminación de la máquina

Piezas y partes de este aparato están fabricadas de materiales valiosos que pueden reciclarse. Averigüe cuáles empresas se especializan en reciclaje en su localidad. Deseche la máquina o sus componentes conforme a todas y cada una de las disposiciones vigentes en su jurisdicción. Para mayor información, llame a la agencia local encargada de la eliminación de residuos sólidos.



En los países miembros de la Comunidad Europea (CE): ¡No se deshaga de equipos eléctricos junto con la basura doméstica!

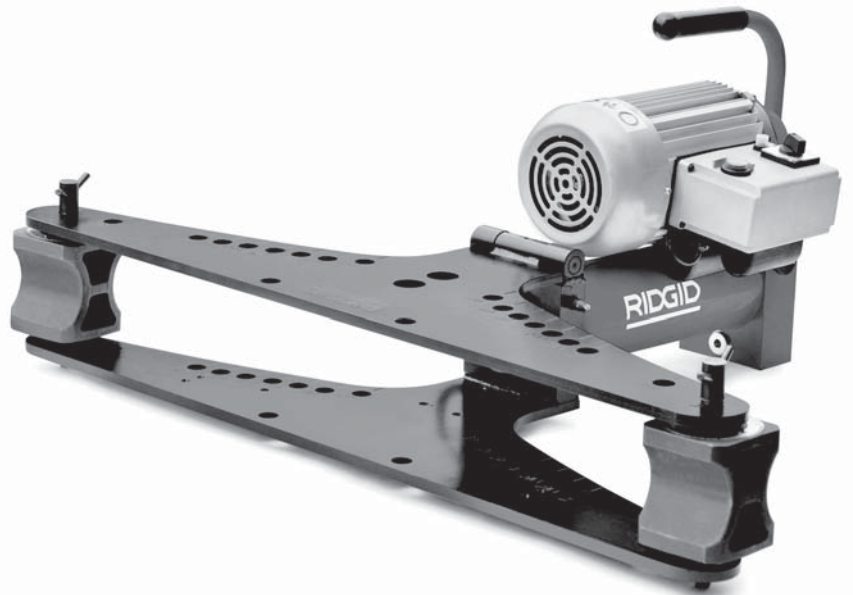
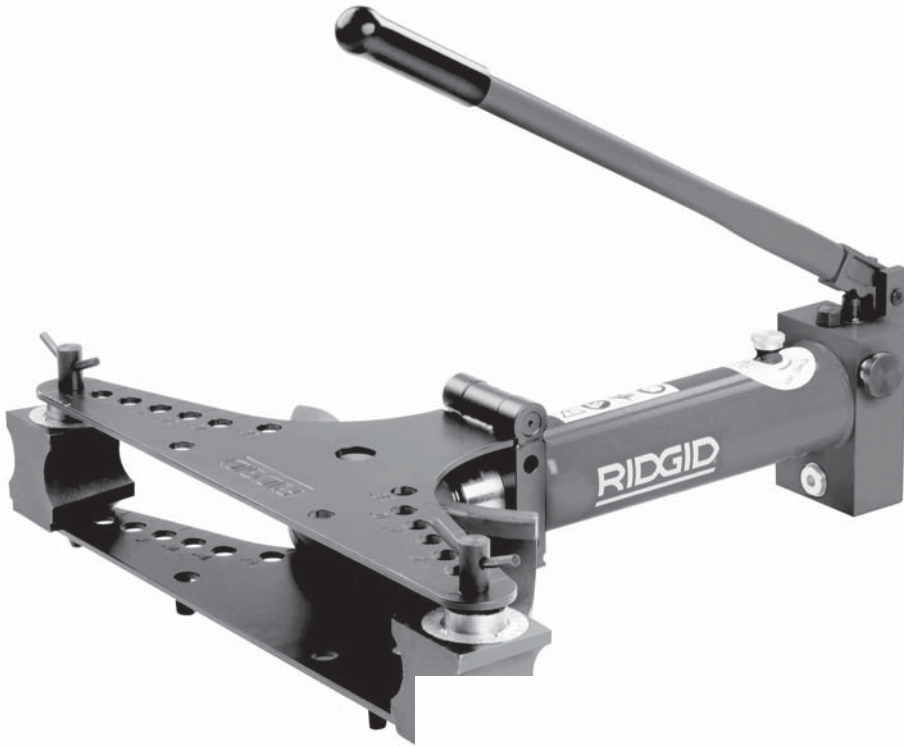
Según la directriz de la Comunidad Europea 2002/96/EC, impartida a sus países miembros sobre desechos eléctricos y electrónicos, los equipos eléctricos inutilizables deben ser recolectados en forma separada de la basura municipal y eliminados sin causar daños al medio ambiente.

Detección de averías

PROBLEMA	POSIBLES CAUSAS	SOLUCIÓN
Ariete no avanza.	Perilla de desenganche no está totalmente cerrada. Tapa del depósito de aceite está cerrada. Nivel del aceite está bajo. Filtro del aceite está obstruido. Hay aire en el sistema hidráulico. Los aros o juntas de sellado están desgastados o rotos.	Cierre la perilla de desenganche. Desatornille la tapa del depósito en dos vueltas completas. Revise el nivel del aceite. Cambie el aceite hidráulico y limpie el filtro. Haga funcionar la Doblatubos sin carga para expeler el aire presente en el sistema. Haga reparar la Doblatubos.
Motor no arranca.	Máquina está desenchufada de la electricidad. Motor demasiado caliente. El cortacircuitos está abierto.	Enchufe la máquina a la electricidad. Permita que se enfríe el motor. Apriete el botón de re-alistar (reset) del cortacircuitos en el mando del motor Revise el cortacircuitos del suministro eléctrico.
Chorrea aceite.	Los aros o juntas de sellado están desgastados o rotos.	Haga reparar la Doblatubos.
Tubo se tuerce o comba.	Pared del tubo demasiado delgada. El formador no corresponde al Ø del tubo.	Consulte las secciones <i>Descripción y Especificaciones</i> . Utilice el formador correcto.
Tubo no se curva.	No avanza el ariete. Pared del tubo demasiado gruesa; tubo de material demasiado duro.	Vea las primeras seis soluciones. Consulte las secciones <i>Descripción y Especificaciones</i> .

HB系列液压弯管器

HB系列液压弯管器



警告

为了您自身的安全，请在组装和使用此类产品之前，必须首先阅读完本手册，明确此设备的独特操作、应用及可能出现的问题。

液压弯管器

记录设备名牌上的序列号

序列号

--	--

目录

记录序列号 49

安全标识符 49

基本安全规范

 工作区域安全 49

 电气安全 49

 个人安全 50

 电动工具的使用和维护 50

 服务 50

安全事项

 液压弯管器操作安全 50

描述, 规格及标准设备

 描述 50

 规格 51

使用前检视 52

设备及工作区域的准备 53

操作说明

 安装管道 54

 手动泵 55

 电动泵 55

 弯管操作 55

 校正弯曲 57

维护保养

 清洁 57

 润滑油 57

 液压油 57

附件 57

设备存储及运输 58

服务及维修 58

弃置 58

终身保证 60

安全标识符

在本操作手册和该产品上，利用了一些安全标识符号和专业词汇来表达重要的安全注意事项和安全规范。本节内容主要是帮助读者能更好的理解这些标识符号和用语。



这是安全警告符号—用于对一些潜在的人身伤害危险进行警示。必须遵守安全信息的指导来规避可能的伤害事故发生，甚至死亡。

⚠ DANGER

危险警告符号—表示一些存在危险情况的环境，如果不能避免，将导致死亡和严重的伤害事故。

⚠ WARNING

警告符号—表示危险的境况，如果不能避免，也可能导致死亡或严重的伤害事故。

⚠ CAUTION

小心符号—表示危险的境况，如果不能避免，可能导致轻微或中等程度伤害事故。

NOTICE

注意符号—表示和保护财产相关的安全信息。



该符号意味着使用者在使用该工具前必须仔细阅读操作手册，因为操作手册里介绍了重要的安全注意事项和正确的使用方法。



该符号表示永远佩戴带安全防护罩安全眼镜和操作工具时必须集中注意力。



该符号表示手、手指或身体其他部位有被压伤的风险。



这是电击危险的符号。



该符号表示有倾翻危险，并导致压伤。

基本安全规范*

⚠ 警告

请仔细阅读所有的安全注意事项和安全指导。如果不遵从这些安全指导可能会导致电击危险、火灾甚至其它严重的伤害事故的发生。

请保留这些安全注意事项和安全指导，以备将来参考。

电动工具的涵义是指带有电源线直接由外部电源提供电力和不带电源线由电池提供电力的两类设备。

工作区域安全

1. **保持工作场所干净整洁和照明充分。**混乱和昏暗的环境容易引起安全事故的发生。
2. **不要在易燃易爆等的危险环境下操作机器，例如易燃易爆的液体、气体或粉尘环境下。**电动工具易产生火花，会引燃这些粉尘或气体。
3. **在操作机器时，使无关人员（包括小孩、旁观者、非工作人员等）远离工作现场。**注意力分散容易导致安全事故的发生。

*此段文字摘自CSA 745/UL 45标准，包括了各种不同类型电动工具的基本安全信息。此安全事项属于通用型，并不是每一条都适用于所有的工具，其中有一些就不适用于此弯管器。

电气安全

1. **电动工具插头应该和插座相匹配。任何时候都不要改变插头。不要与有接地的电动工具的插头的适配器一起使用。**不改变插头和与插座相匹配将会减少电击事故的发生。
2. **不要把电动工具放置雨中或潮湿的环境下。**水进入电动工具将增加电击危险的发生。
3. **不要损坏电源线。不要把电源线用来拖、拽电动工具。使电源线远离热、油、尖锐边缘或移动物体。**电源线损坏或卷入其它物体中都会增加电击危险。
4. **当在室外使用电动工具时，请使用适合在室外工作的接线板。**
5. **避免在潮湿的环境下使用电动工具，请使用接地故障断路（GFCI）保护装置。**使用GFCI可以减少电击的危险发生。

个人安全

- 使用电动工具时，保持头脑清醒，关注自己手头的工作。不要在疲惫或受到药物、酒精或毒品影响的情况下使用电动工具。如果在使用当中一不留神，就会导致比较严重的伤害事故的发生。
- 正确使用个人防护用品，永远佩戴安全眼镜。个人防护用品包括防尘面罩、防滑安全保护鞋、硬质的垫子或热防护装置，适当使用这些防护用品，将减少人身伤害事故的发生。
- 防止无意识的启动设备。保证插上电源线前，或移动设备之前，确保开关在关闭的位置。移动设备电动设备时注意手指不要触碰到启动开关。
- 启动设备前注意将一些细小的工具如管钳，钥匙等清理出现场。这些小工具如果卷入正在转动的设备中可能引起人身伤害。
- 保持身体平衡，不要在操作机器时使身体失去平衡。这样会使你在意外情况下更好的控制工具。
- 正确的着装。不要穿宽松的衣服或佩戴任何首饰。注意保持头发，衣服，手套远离正在运行的设备部件。宽松的衣服，首饰或长头发等可能会被移动的设备部件带到。
- 如果设备上有专门的灰尘收集或清理装置，请确保这些装置被正确的安装并能使用。使用这些装置可以减少灰尘引起的伤害发生的几率。

电动工具的使用与维护

- 1.不要过度使用电动工具，请在不同场合选择合适的电动工具。合适的工具将会使你更快、更安全的完成工作。
- 2.如果开关不能工作，请不要使用电动工具。任何电动工具如果不能控制开关，都是非常危险的并且必须立即进行修理。
- 3.在对工具进行调整、更换附件、存放前必须先断开电源或者把电池取下来。这些措施可以预防不小心开动工具的风险。
- 4.存放电动工具时注意不要让无关人员能够拿到，尤其是小孩。因为电动工具对于未经过培训的人员来说是非常危险的。
- 5.定期检查工具，看是否运动部件的位置不正确、零件有损坏或其他可能影响工具正常使用的损坏状况，如果有，请在使用前务必修理好。许多事故的发生都是由于工具的维护不当造成的。
- 6.按照操作指南、工作环境要求和工作目的来正确使用电动工具及其附件和其它组件。如果工具与工作环境和目的不匹配，可能会导致危险的发生。

服务

请让经过培训合格的维修人员进行产品维修服务，并选择经过认证合格的零部件。这样可以确保工具的使用安全和保养正确。

安全事项



警告

本节包含了此产品重要的安全信息。在使用RIDGID液压弯管器前请仔细阅读注意事项。

请保存此说明！

液压弯管器操作安全

- 在弯管过程中，请不要将手靠近弯管区域。
- 在弯管过程，管道的移动可能导致碰撞的发生。因此尽量保证弯管器周围的空间。
- 液压弯管器使用高压液体产生巨大的压力。高压液体可能渗入体内，巨大的力量可能导致部件飞出。因此在操作过程中请站开并戴好防护装备，例如防护眼镜等。
- 必须由一个人控制机器操作及工作的全过程。为降低伤害的风险，操作过程中工作区域仅限操作人员存在。
- 仔细阅读并理解此手册以及所有与此设备相关的其他工具的说明及警告。不遵照说明进行操作可能会导致人身及财产伤害。
- 请仅使用Ridgid液压弯管器的附件及部件。非Ridgid公司的零部件可能导致工具的损坏及人身伤害。

描述，规格及标准设备

描述

RIDGID® 液压弯管器能对3/8”至4”的金属管道进行精确弯曲。可翻起的盖板方便了安装及拆卸管道。弯管器有手动及电动两种规格。

弯管器有手动及电动两种规格。

RIDGID液压弯管器被设计用于以下类型的管道：

- EN 10255中偏上系列
- ASTM A53 40及80规
- DIN 2440,2441系列
- BS 1387 中偏上系列
- GB/3091(ISO 559) 中偏上系列

太厚或者太硬（大于75 HRb）的管道可能无法弯曲，管壁太薄的管道弯曲后可能会有变形。

规格见下表

产品型号	弯管能力 (英寸)	泵压力 (bar)	液压缸输出压力 kN(klb)	泵型号	马达功率 (kw)		尺寸 L x W x H (mm)	标准模头	重量		包装箱尺寸 L x W x H (mm)
									磅	公斤	
HB382	3/8" - 2"	450	90 (20.1)	手动	N/A	N/A	73 x 63.5 x 62 28.8" x 25" x 24.4"	3/8", 1/2", 3/4", 1", 1 1/4", 1 1/2", 2"	159	72	82 x 33 x 49.5 32.3" x 13" x 19.5"
HB382E	3/8" - 2"	450	90 (20.1)	电动	230/50Hz 1Φ	1.4	73 x 63.5 x 43 28.8" x 25" x 16.9"	3/8", 1/2", 3/4", 1", 1 1/4", 1 1/2", 2"	211	96	82 x 39.5 x 60 32.3" x 15.6" x 23.6"
			230/60Hz 3Φ		1.5						
			115/60Hz 1Φ		1.4						
			400/50Hz 3Φ		1.5						
HB383	3/8" - 3"	450	146 (32.7)	手动	N/A		75.5 x 103 x 62 29.8" x 40.6" x 24.4"	3/8", 1/2", 3/4", 1", 1 1/4", 1 1/2", 2", 2 1/2", 3"	344	156	117 x 37.5 x 49.5 46.1" x 14.8" x 19.5"
HB383E	3/8" - 3"	450	146 (32.7)	电动	230/50Hz 1Φ	1.4	75.5 x 103 x 62 29.8" x 40.6" x 24.4"	3/8", 1/2", 3/4", 1", 1 1/4", 1 1/2", 2", 2 1/2", 3"	401	182	117 x 46.5 x 62 46.1" x 18.3" x 24.1"
			230/60Hz 3Φ		1.5						
			115/60Hz 1Φ		1.4						
			400/50Hz 3Φ		1.5						

正常的工作温度范围：-10° C-50° C (更多信息请查看保养章节)

弯管模头

订货号	通径		实际外径		最大壁厚				弯曲半径		重量		管道标准
	英寸	毫米	英寸	毫米	MIN		MAX.		英寸	毫米	磅	公斤	
					英寸	毫米	英寸	毫米					
37218	1/4"	0.540	13,5	0.08	2,2	0.16	4	2.36	60	2.2	1	EN10255, ASTM A53	
37223	3/8"	0.675	17,2	0.09	2,3	0.16	4	1.77	45	1.8	0,8	EN10255, ASTM A53	
37228	1/2"	0.840	21,3	0.10	2,6	0.16	4	1.97	50	2.4	1,1	EN10255, ASTM A53	
37233	3/4"	1.050	26,9	0.10	2,6	0.16	4	3.15	80	4.0	1,8	EN10255, ASTM A53	
37238	1"	1.315	33,7	0.13	3,2	0.20	5	4.33	110	4.0	1,8	EN10255, ASTM A53	
37243	1 1/4"	1.660	42,4	0.13	3,2	0.20	5	5.31	135	4.6	2,1	EN10255, ASTM A53	
37248	1 1/2"	1.990	48,3	0.13	3,2	0.20	5	6.10	155	9.5	4,3	EN10255, ASTM A53	
37253	2"	2.375	60,3	0.14	3,6	0.22	5,5	8.66	220	14.4	6,5	EN10255, ASTM A53	
37258	2 1/2"	2.875	76,1	0.14	3,6	0.28	7	12.60	320	38.5	17,5	EN10255, ASTM A53	
37263	3"	3.500	88,9	0.16	4,0	0.30	7,6	15.35	390	59.9	27,2	EN10255, ASTM A53	

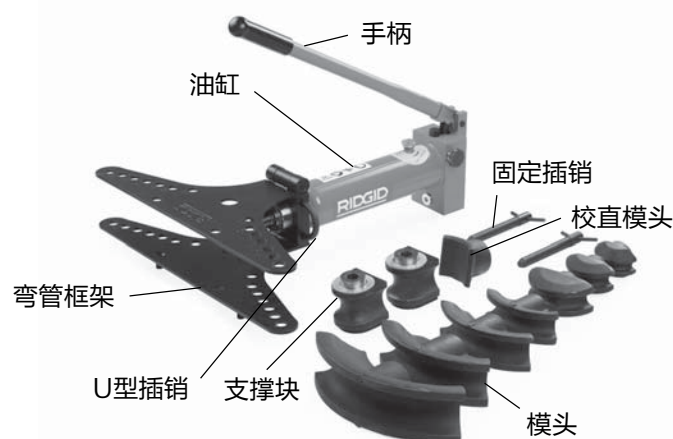


图1 - 2" 和3" 手动液压弯管器装置图

符号

- 不要将废弃的电动工具与家用垃圾混置。
- 注油口
- 重量
- 电源开
- 电源关



图2-2”及3”电动液压弯管器电子部件



图3 - 设备序列号

此设备的序列号贴在泵的侧面。最后的四位数字表示出厂日期:月份和年份。(03 = 月份, 10 = 年份)

使用前检视

 警告



在每次使用前，请检视弯管器的状态，以减少发生严重伤害事故的几率。如有问题请及时修正，以避免可能造成的如电击等伤害。

1. 在操作电动弯管器前，确保弯管器处于关闭（O）状态。
2. 清洁弯管器上的油污，灰尘等物，包括手柄及调节装置等，以便更好的观察弯管器的状态，也能防止使用时手柄滑落。
3. 检视以下状况：
 - 液压油是否泄露。检查液压油的液位，并根据需要调整。（参见维修保养章节）
 - 是否有任何损坏，破裂或遗漏的零件。
 - 警告标签是否清楚。



图4A - 警告标签（手动弯管器）

如果发现任何问题，请不要使用，直到这些问题被修正。（参见图4A，图4B）

4. 如果同时使用了其他的设备，请根据其说明进行检视及维护工作，保证能够正常使用。

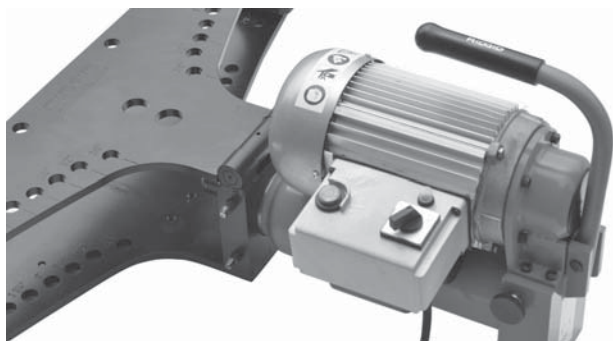


图4B-警告标签（电动弯管器）

设备及工作区域的准备

警告



请根据以下指示设置设备及工作区域以减少由于机器倾倒，变形等因素导致的人身伤害。

1. 一个安全的工作区域必须具备：

- 充足的光线
- 没有可燃性气体，液体或其他杂质
- 操作人员及设备周围保持整洁
- 电源需正确接地。如有疑问，请有资格的电工进行检查。

2. 在操作仪器前请先清洁工作区域。将任何油或其他液体擦拭干净。

3. 检查将要弯曲的管道，确认使用了正确的设备及模头。

4. 确认设备完好。



图5 - 组装2寸及3寸弯管机

5. 组装

所有的弯管器必须平放于地面或其他适合的平面进行组装。弯管器的零件都比较沉重，请使用合适的运输及起重设备。

组装2寸及3寸机

附件三角架只能用于HB382，请不要用于其他较大的或是电动弯管器。这可能导致设备或管道在使用中倾倒。

如果使用附件滚轮三角架，请先用四颗固定螺钉及螺母将固定支架连接到下翼板，然后将三角架的支撑脚装上，并紧固螺钉。确保三角架很稳固。

- 将弯管支架平放在地面上，盖板打开。
- 液压缸上的沟槽对准弯管支架末端。
- 将液压缸的活塞完全置于起始位置。
- 将U型固定栓插入液压缸和支架的接口位置。
- 根据管道的尺寸选择合适的角支撑块并安装在下面的盖板上。
- 最后将固定支撑块的插栓插紧。



图6-2” /3” 手动液压弯管器

6. 将液压缸上注油口的盖子松动两圈以使空气进入液压缸中。（见图10）

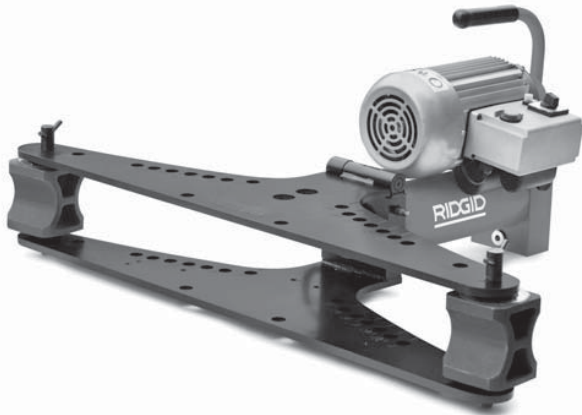


图7-2” /3” 电动液压弯管器

电动液压弯管器

1. 确定开关在关闭的状态。(O)

2. 将电源线远离工作区域。用干手将电源插头插入电源。如果电源线不够长，请使用接线板，需符合以下要求：

- 状况良好
- 插头与液压弯管器的插头相近
- 适用室外工作，并且达到W级或W-A级
- 使用符合规定的线缆，15.2m的长度，1.5mm的线径；15.2m-30.5m的长度，2.5mm的线径。如果线径小于上述指标，则可能会过度发热，导致线缆外皮融化，甚至引起火灾。

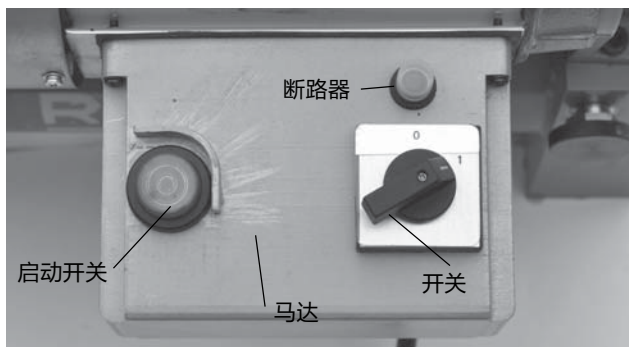


图8-电控盒

3. 使用前先检查弯管器

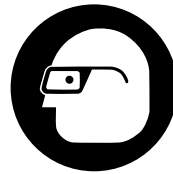
将电源开关打到开 (I) 的位置。按一下运行开关，如果电源开关及运行开关无法正常工作，请在维修后再使用。

按住运行开关，检视是否有异常情况如活塞卡住，非正常的噪音等。如发现异常情况，请先修理后再使用。

将电源开关旋至关 (O) 状态。

操作说明

警告



在弯管过程中确保你的手不会接触到弯曲部件。因为你的手，手指或身体其他部位如果离这些部件太近则可能会被带到会压伤。

正确的摆放，固定弯管机。

在弯曲过程中，管道会移动，请确保有足够的空间以防止被管道碰伤。

请完全遵守此手册来操作，以减少可能出现的伤害。

安装管道

1. 确定电源开关在关 (O) 的位置。
2. 如有必要，在管道上需要弯曲的地方做出标记。
3. 拔出固定插销，将盖板打开。
4. 根据管道选择合适的模头。模头上标注了尺寸及货号。更多信息请查看机器参数。将模头安装到液压缸上。
5. 将管道放置在模头前方，对准需要弯曲的部位。模头的中心有一个定位标记，正确的固定管道，以防在弯曲过程中倾斜或倾倒。



图9 - 安装管道

6. 在支撑块内侧与管道接触的部位涂抹润滑油,将角支撑块插入正确尺寸的孔中。角支撑块必须安装在正确、对称的孔中不然可能会损坏弯管器。
7. 合起盖板, 插上两边固定插销并确保插销完全穿过了上下翼板和角支撑。
8. 确定弯管器及管道状态稳定。

活塞操作

顺时针旋转泄压阀, 使其关闭, 此时操作活塞前进; 反之使其打开, 可收回活塞。(参见图10)

手动泵

来回操作手柄及模头前进。不要使用加长杆, 这回损坏手柄或滑块并可能造成伤害。

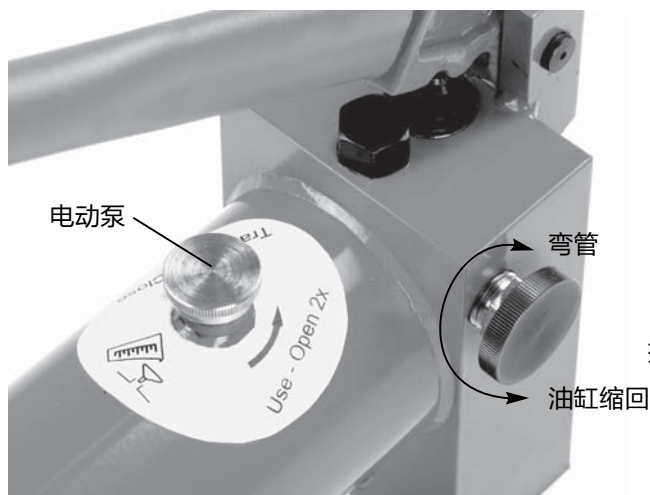


图10 - 泄压阀位置

电动泵

将电源开关打到开 (I) 的状态。按运行开关以推进活塞。不使用时将开关关闭以收回活塞。

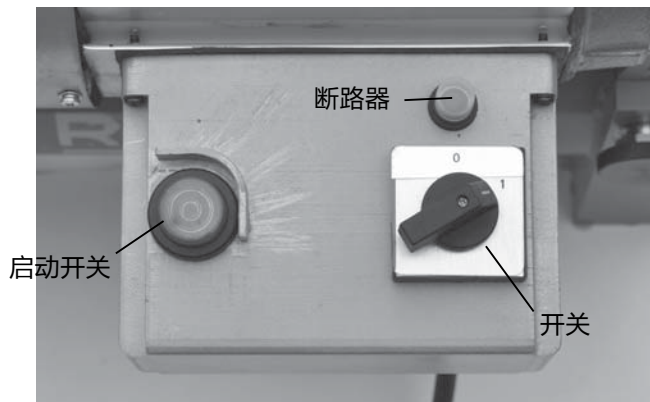


图11-电控盒

弯管操作

1. 按图示方向拧紧液压缸上的泄压阀。
2. 上下压液压手柄, 推动模头前进。要缩回模头, 只需按图示方向松开泄压阀即可。

表1-管道端部超过支撑块中心的最小距离

管道外径		管道端部超过支撑块中心的最小距离	
Inch	mm	Inch	mm
1/4	13.5	1.57	40
3/8	17.2	1.57	40
1/2	21.3	1.86	47.2
3/4	26.9	2.01	51
1	33.7	2.13	54
1 1/4	42.4	2.27	57.7
1 1/2	48.3	2.49	63.3
2	60.3	2.22	56.4
2 1/2	76.1	3.3	84
3	88.9	3.7	93

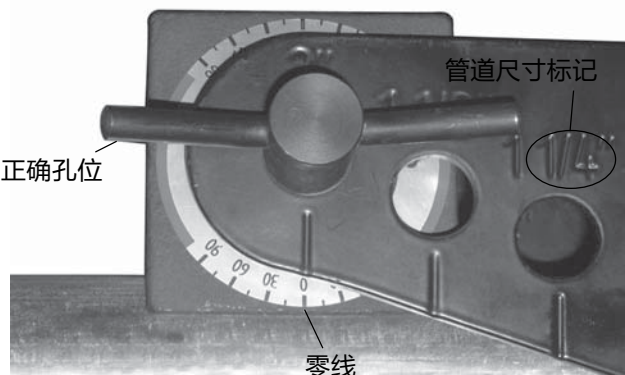


图12 - 角度指示



图13 - 手动液压弯管作业

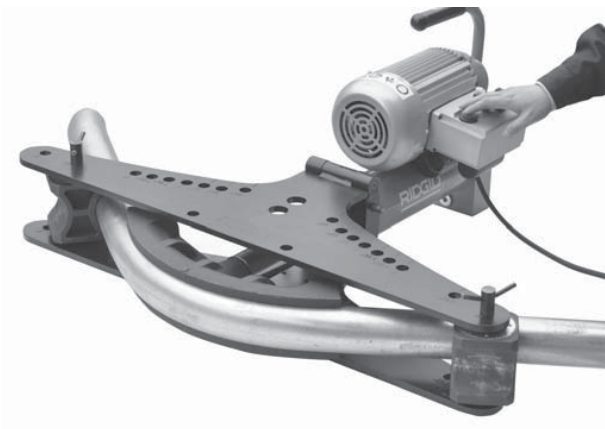


图14-电动液压弯管作业

4.对于某些特定尺寸的管道（2 1/2 "，3 "），需要使用行程加长杆以使管道弯曲至90°。当看见活塞杆上的沟槽后（图16），停止推进活塞。确保管道不会移动或滑落。打开泄压阀使活塞回收，确保有足够的空间以方便将加长杆安装于活塞杆和模头之间。

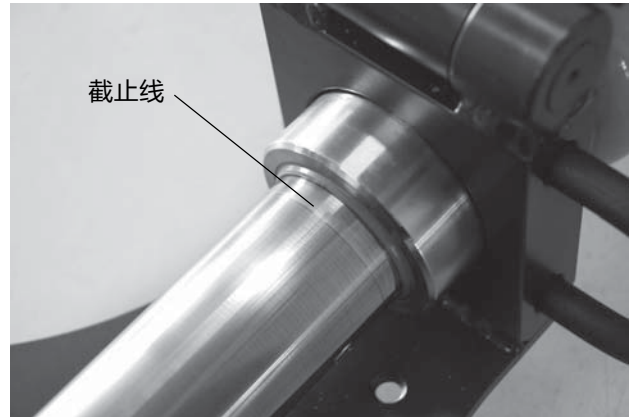


图16 - 截止线标记

3. 调节角度指示器，使零刻度与盖板上的标识相对应。（参见15、16）

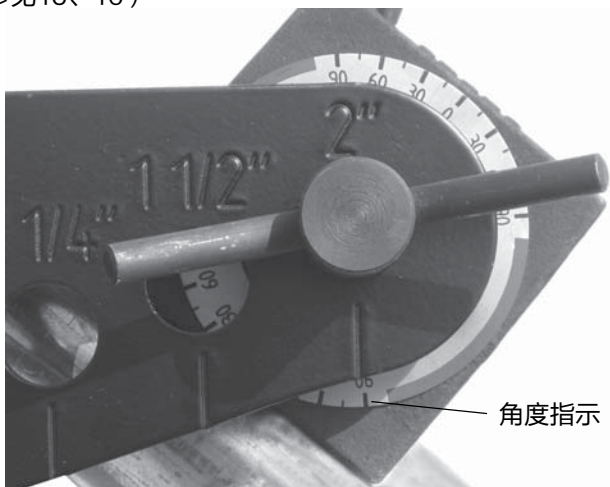


图15-角度指示

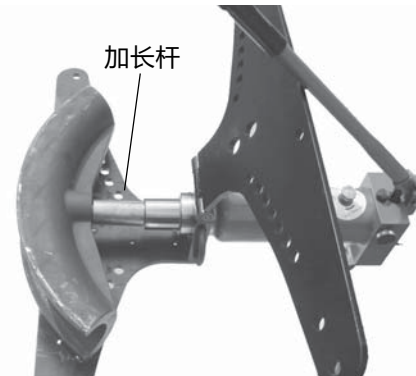


图17-插入加长杆

当达到期望的角度后，停止推进活塞。不要进行大于90°的弯曲（如果是标配模头），这可能导致管道的折损或其他一些故障。可使用直角尺或其他工具以测量确切的角度。推荐在刚开始弯管时实际弯管角度比期望角度略小，因为只有在留有一定余量的情况下才可以继续弯曲以达到期望角度，而一旦一开始的角度超出期望值，则矫直起来非常麻烦。

5.弯管完成后，关闭电源开关。打开泄压阀回收活塞杆。
6.将管道从弯管器上移除。如果必要，移除插销，角支撑块及盖板。如果模头无法从管道上移除，可以使用木槌或橡胶锤轻敲模头使其从管道上脱落。不要使用金属锤或凿子等其他坚硬的工具，这可能使模头损坏。

校正弯曲

校直模头用于轻微的矫正弯曲角度（10° 以内），使用矫直模头在某些情况下能将弯管矫直。某些情况下，不能使用校直模头。（例如对2-1/2”、3”或4”管进行90°弯曲）

1. 将校直模头安装在活塞杆前端。
2. 安装管道。使弯曲部位对准校直模头，确保管道两段被角支撑块卡住。
3. 按照弯管步骤操作。

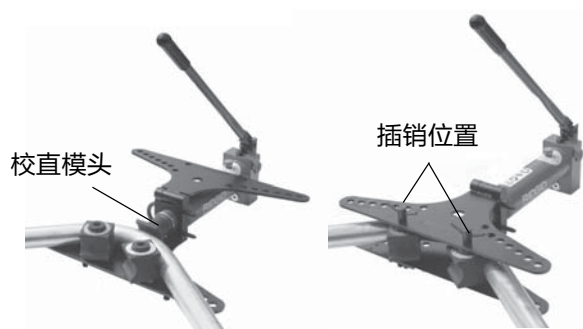


图18 - 校直弯曲

维护保养



警告

根据以下步骤保养，维护液压弯管以保证设备能够长久的使用并能减少伤害出现的几率。

清洁

在每次使用完设备后，擦掉弯管器及模头等上面的油渍或灰尘。特别需要注意的是液压缸及活塞部件，注意清除上面的杂质或碎屑等，这些可能刮伤抛光件。

润滑油

每隔一个月甚至更短的时间，用机油或油脂涂擦手柄的转轴，盖板的支撑点及插栓等零件。不要用润滑油擦涂液压部件。

液压油

检查液压油油位/添加液压油

在每次使用前，检查油位。将弯管机放置于水平的平面上，并保持活塞完全收回的状态。将注油口的盖子旋开，液压油的液位应该与注油口的下端持平。如果需要添加液压油，请添加壳牌32号液压油或其他同品质的优质液压油。

更换液压油

正常情况，每隔一年更换一次液压油。如果是重负荷行业或者使用环境灰尘较大，建议将更换时间缩短。将液压缸放在一个较大的容器内，以便收集废弃的液压油。在液压缸的下面有一个螺塞，将螺塞旋出，并把过滤器拿出，让液压油排出。打开注油口，并轻微调节活塞位置以便液压油排出。完全的排出可能需要几个小时的时间。请根据当地政策及液压油的MSDS文件妥善处理废弃的液压油。

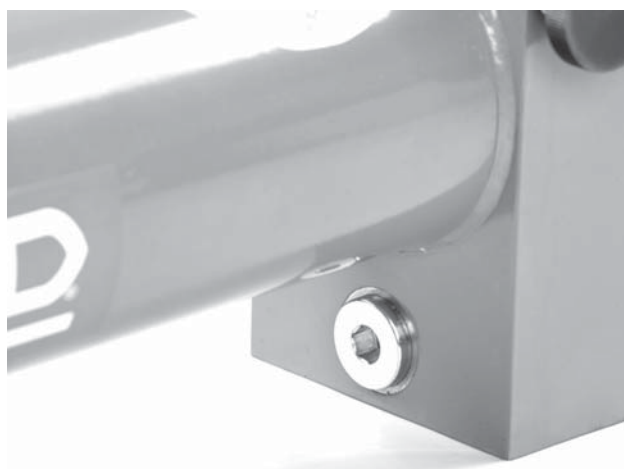


图18 - 液压油排油口

用合适的溶剂清洗过滤器，重新安装洗净的，或新的过滤器，弹簧，及排油口活塞。然后添加新的液压油。仔细的操作几次手柄使空气完全排出，最后检查液压油的液位。

液压油容量

HB382 / HB328E	1.2L
HB383 / HB328E	1.6L

低温下的操作

如果在低温环境下使用（小于-10° C）液压弯管器，建议更换适用于此温度的高质量液压油。

附件



警告

请仅使用RIDGID液压弯管器的附件及部件。非RIDGID公司的零部件可能导致工具的损坏及人身伤害。

液压弯管器附件

货号	描述
37293	固定插销, HB382/HB382E
37273	支撑块, HB382/HB382E
37603	U型插销, HB382/HB382E
37618	校直模头, HB382/HB382E
37298	固定插销, HB383/HB383E
37278	支撑块, HB383/HB383E
37838	U型插销, HB383/HB383E
37828	滚轮, HB382/HB382E/HB383/HB383E
37813	三角支架HB382/HB382E/HB383/HB383E
38568	加长杆, HB383/HB383E

设备存储及运输



警告

注意事项

液压弯管机器必须在室内保存。请妥善保存防止儿童或其他未培训人员接触。

存储温度: -10°C到50°C。

需要移动弯管机时, 请将注油口拧紧以防液压油泄漏。

服务及维修



警告

不当的服务及维修可能导致机器工作不安全。

“保养指导”一节介绍了大部分关于本设备的维修服务内容。任何其它未提及的问题只能由Ridge Tool公司授权合格的技术人员来处理。

如果有任何维修服务方面的问题, 即使没有在上文中列出, 请立即把工具送到Ridge Tool公司授权的维修中心或者返回工厂。

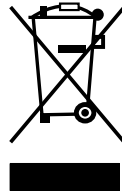
当更换零件时, 请使用指定的零件来更换, 使用未经确认的零件会给机器造成损伤或其它严重伤害事故的发生。

如有任何关于工具使用和功能方面的问题, 请致电美国Ridge Tool公司技术服务部门+86 021 57747008 或访问我公司中文网站得到最近的授权服务中心信息。

网址: www.RIDGID.com.cn

弃置

液压弯管机的零部件可以被回收。请遵照当地废物管理标准来处理。



故障诊断

现象	可能原因	解决方法
活塞无法前进	泄压阀没关紧	关紧泄压阀
	注油孔关闭	旋转两圈打开注油孔
	油量不足	检查油位
	过滤器堵塞	更换/清洁过滤器
	液压缸内有空气	泄压将空气移除
	密封圈等磨损严重	对弯管器进行全面保养
电机无法启动	电源没接	检查电源情况
	电机过热	让电机先冷却
	断路器打开	检查断路器
漏油	密封圈磨损或破裂	对弯管器进行全面保养
管道弯曲 后有褶皱	管壁太薄	见描述/参数 章节
	模头尺寸不合适	选择合适的模头
管道无法弯曲	液压缸无法前进	见上
	管道太硬/管壁太厚	见描述/参数 章节

What is covered

RIDGID® tools are warranted to be free of defects in workmanship and material.

How long coverage lasts

This warranty lasts for the lifetime of the RIDGID® tool. Warranty coverage ends when the product becomes unusable for reasons other than defects in workmanship or material.

How you can get service

To obtain the benefit of this warranty, deliver via prepaid transportation the complete product to RIDGE TOOL COMPANY, Elyria, Ohio, or any authorized RIDGID® INDEPENDENT SERVICE CENTER. Pipe wrenches and other hand tools should be returned to the place of purchase.

What we will do to correct problems

Warranted products will be repaired or replaced, at RIDGE TOOL'S option, and returned at no charge; or, if after three attempts to repair or replace during the warranty period the product is still defective, you can elect to receive a full refund of your purchase price.

What is not covered

Failures due to misuse, abuse or normal wear and tear are not covered by this warranty. RIDGE TOOL shall not be responsible for any incidental or consequential damages.

How local law relates to the warranty

Some states do not allow the exclusion or limitation of incidental or consequential damages, so the above limitation or exclusion may not apply to you. This warranty gives you specific rights, and you may also have other rights, which vary, from state to state, province to province, or country to country.

No other express warranty applies

This FULL LIFETIME WARRANTY is the sole and exclusive warranty for RIDGID® products. No employee, agent, dealer, or other person is authorized to alter this warranty or make any other warranty on behalf of the RIDGE TOOL COMPANY.



Parts are available online at RIDGIDParts.com

**Ridge Tool Company**

400 Clark Street
Elyria, Ohio 44035-6001
U.S.A.

We
Build
Reputations™

RIDGID

EMERSON
Professional Tools

Ce qui est couvert

Les outils RIDGID® sont garantis contre tous vices de matériaux et de main d'oeuvre.

Durée de couverture

Cette garantie est applicable durant la vie entière de l'outil RIDGID®. La couverture cesse dès lors que le produit devient inutilisable pour raisons autres que des vices de matériaux ou de main d'oeuvre.

Pour invoquer la garantie

Pour toutes réparations au titre de la garantie, il convient d'expédier le produit complet en port payé à la RIDGE TOOL COMPANY, Elyria, Ohio, ou bien le remettre à un réparateur RIDGID® agréé. Les clés à pipe et autres outils à main doivent être ramenés au lieu d'achat.

Ce que nous ferons pour résoudre le problème

Les produits sous garantie seront à la discrétion de RIDGE TOOL, soit réparés ou remplacés, puis réexpédiés gratuitement ; ou si, après trois tentatives de réparation ou de remplacement durant la période de validité de la garantie le produit s'avère toujours défectueux, vous aurez l'option de demander le remboursement intégral de son prix d'achat.

Ce qui n'est pas couvert

Les défaillances dues au mauvais emploi, à l'abus ou à l'usure normale ne sont pas couvertes par cette garantie. RIDGE TOOL ne sera tenue responsable d'aucuns dommages directs ou indirects.

L'influence de la législation locale sur la garantie

Puisque certaines législations locales interdisent l'exclusion des dommages directs ou indirects, il se peut que la limitation ou exclusion ci-dessus ne vous soit pas applicable. Cette garantie vous donne des droits spécifiques qui peuvent être éventuellement complétés par d'autres droits prévus par votre législation locale.

Il n'existe aucune autre garantie expresse

Cette GARANTIE PERPETUELLE INTEGRALE est la seule et unique garantie couvrant les produits RIDGID®. Aucun employé, agent, distributeur ou tiers n'est autorisé à modifier cette garantie ou à offrir une garantie supplémentaire au nom de la RIDGE TOOL COMPANY.

Qué cubre

Las herramientas RIDGID® están garantizadas contra defectos de la mano de obra y de los materiales empleados en su fabricación.

Duración de la cobertura

Esta garantía cubre a la herramienta RIDGID® durante toda su vida útil. La cobertura de la garantía caduca cuando el producto se torna inservible por razones distintas a las de defectos en la mano de obra o en los materiales.

Cómo obtener servicio

Para obtener los beneficios de esta garantía, envíe mediante porte pagado, la totalidad del producto a RIDGE TOOL COMPANY, en Elyria, Ohio, o a cualquier Servicentro Independiente RIDGID. Las llaves para tubos y demás herramientas de mano deben devolverse a la tienda donde se adquirieron.

Lo que hacemos para corregir el problema

El producto bajo garantía será reparado o reemplazado por otro, a discreción de RIDGE TOOL, y devuelto sin costo; o, si aún resulta defectuoso después de haber sido reparado o sustituido tres veces durante el período de su garantía, Ud. puede optar por recibir un reembolso por el valor total de su compra.

Lo que no está cubierto

Esta garantía no cubre fallas debido al mal uso, abuso o desgaste normal. RIDGE TOOL no se hace responsable de daño incidental o consiguiente alguno.

Relación entre la garantía y las leyes locales

Algunos estados de los EE.UU. no permiten la exclusión o restricción referente a daños incidentales o consiguientes. Por lo tanto, puede que la limitación o restricción mencionada anteriormente no rija para Ud. Esta garantía le otorga derechos específicos, y puede que, además, Ud tenga otros derechos, los cuales varían de estado a estado, provincia a provincia o país a país.

No rige ninguna otra garantía expresa

Esta GARANTIA VITALICIA es la única y exclusiva garantía para los productos RIDGID. Ningún empleado, agente, distribuidor u otra persona está autorizado para modificar esta garantía u ofrecer cualquier otra garantía en nombre de RIDGE TOOL COMPANY.

EMERSON. CONSIDER IT SOLVED.™