

258
258XL

**OPERATOR'S
MANUAL**

- Français – 13
- Castellano – pág. 27

⚠ WARNING!

Read this Operator's Manual carefully before using this tool. Failure to understand and follow the contents of this manual may result in electrical shock, fire and/or serious personal injury.

Power Pipe Cutter

RIDGID[®]

Table of Contents

General Safety Information

Work Area Safety	2
Electrical Safety	2
Personal Safety	2
Tool Use and Care	3
Service	3

Specific Safety Information

Switch Safety	3
Cutter Safety	3

Description, Specifications and Accessories

Description	4
Specifications	4
Standard Equipment	4
Accessories	4

Assembly Instructions

Pipe Cutter Inspection

Pipe Cutter and Work Area Set-Up

Using Pipe Supports	7
---------------------------	---

Operating Instructions for Cutting Pipe

Cutting Thin Wall Pipe	8
------------------------------	---

Special Procedures

Adjusting Pivot Arm for Correct Pipe Size (258 Only)	9
Changing the Cutter Wheel	9
Transporting	10
Transporting Using the Transport Cart	10

Maintenance Instructions

Machine Storage

Service and Repair

Trouble Shooting

Lifetime Warranty

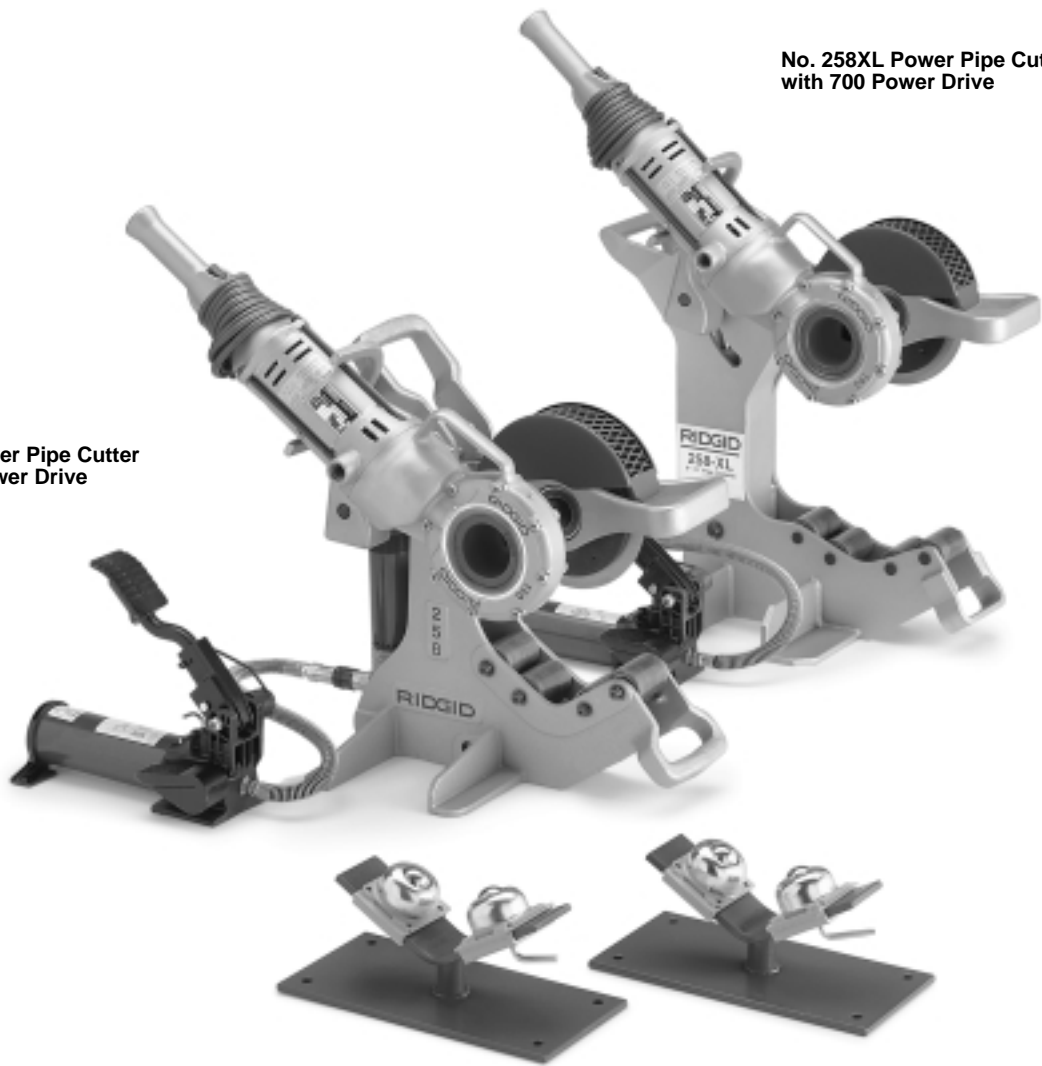
Back Cover



258/258XL Power Pipe Cutter

No. 258 Power Pipe Cutter
with 700 Power Drive

No. 258XL Power Pipe Cutter
with 700 Power Drive



General Safety Information

WARNING! Read and understand all instructions. Failure to follow all instructions listed below may result in electric shock, fire, and/or serious personal injury.

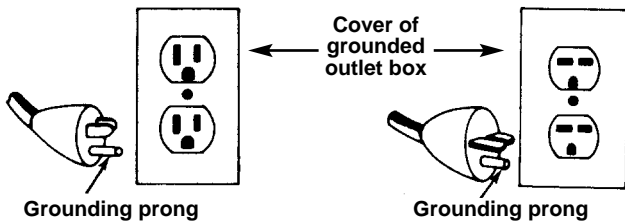
SAVE THESE INSTRUCTIONS!

Work Area Safety

- **Keep your work area clean and well lit.** Cluttered benches and dark areas invite accidents.
- **Do not operate power tools in explosive atmospheres, such as in the presence of flammable liquids, gases, or dust.** Power tools create sparks which may ignite the dust or fumes.
- **Keep by-standers, children, and visitors away while operating a power tool.** Distractions can cause you to lose control.

Electrical Safety

- **Grounded tools must be plugged into an outlet, properly installed and grounded in accordance with all codes and ordinances. Never remove the grounding prong or modify the plug in any way. Do not use any adapter plugs. Check with a qualified electrician if you are in doubt as to whether the outlet is properly grounded.** If the tools should electrically malfunction or break down, grounding provides a low resistance path to carry electricity away from the user.



- **Avoid body contact with grounded surfaces such as pipes, radiators, ranges and refrigerators.** There is an increased risk of electrical shock if your body is grounded.
- **Don't expose power tools to rain or wet conditions.** Water entering a power tool will increase the risk of electrical shock.
- **Do not abuse cord. Never use the cord to carry the tools or pull the plug from an outlet. Keep cord away from heat, oil, sharp edges or moving parts. Replace damaged cords immediately.** Damaged cords increase the risk of electrical shock.
- **When operating a power tool outside, use an out-**

door extension cord marked "W-A" or "W". These cords are rated for outdoor use and reduce the risk of electrical shock.

- **Use only three-wire extension cords which have three-prong grounding plugs and three-pole receptacles which accept the machine plug.** Use of other extension cords will not ground the tool and increase the risk of electrical shock.
- **Use proper extension cords.** (See chart.) Insufficient conductor size will cause excessive voltage drop, loss of power and overheating.

Minimum Wire Gauge for Extension Cord			
Nameplate Amps	Total Length (in feet)		
	0-25	26-50	51-100
0-6	18 AWG	16 AWG	16 AWG
6-10	18 AWG	16 AWG	14 AWG
10-12	16 AWG	16 AWG	14 AWG
12-16	14 AWG	12 AWG	NOT RECOMMENDED

- **Keep all electric connections dry and off the ground. Do not touch plugs or tool with wet hands.** Reduces the risk of electrical shock.

Personal Safety

- **Stay alert, watch what you are doing and use common sense when operating a power tool. Do not use tool while tired or under the influence of drugs, alcohol, or medications.** A moment of inattention while operating power tools may result in serious personal injury.
- **Dress properly. Do not wear loose clothing or jewelry. Contain long hair. Keep your hair, clothing, and gloves away from moving parts.** Loose clothes, jewelry, or long hair can be caught in moving parts.
- **Avoid accidental starting. Be sure switch is OFF before plugging in.** Carrying tools with your finger on the switch or plugging tools in that have the switch ON invites accidents.
- **Remove adjusting keys or switches before turning the tool ON.** A wrench or a key that is left attached to a rotating part of the tool may result in personal injury.
- **Do not over-reach. Keep proper footing and balance at all times.** Proper footing and balance enables better control of the tool in unexpected situations.
- **Use safety equipment. Always wear eye protection.** Dust mask, non-skid safety shoes, hard hat, or hearing protection must be used for appropriate conditions.

Tool Use and Care

- **Do not force tool. Use the correct tool for your application.** The correct tool will do the job better and safer at the rate for which it is designed.
- **Do not use tool if switch does not turn it ON or OFF.** Any tool that cannot be controlled with the switch is dangerous and must be repaired.
- **Disconnect the plug from the power source before making any adjustments, changing accessories, or storing the tool.** Such preventive safety measures reduce the risk of starting the tool accidentally.
- **Store idle tools out of the reach of children and other untrained persons.** Tools are dangerous in the hands of untrained users.
- **Maintain tools with care. Keep cutting tools sharp and clean.** Properly maintained tools with sharp cutting edges are less likely to bind and are easier to control.
- **Check for misalignment or binding of moving parts, breakage of parts, and any other condition that may affect the tools operation. If damaged, have the tool serviced before using.** Many accidents are caused by poorly maintained tools.
- **Inspect tool and extension cords periodically and replace if damaged.** Damaged cords increase the risk of electrical shock.
- **Keep handles dry and clean; free from oil and grease.** Allows for better control of the tool.

Service

- **Tool service must be performed only by qualified repair personnel.** Service or maintenance performed by unqualified repair personnel could result in injury.
- **When servicing a tool, use only identical replacement parts. Follow instructions in the Maintenance Section of this manual.** Use of unauthorized parts or failure to follow maintenance instructions may create a risk of electrical shock or injury.

SAVE THESE INSTRUCTIONS!

Specific Safety Information

▲ WARNING

Read this operator's manual carefully before using the 258/258XL Pipe Cutters. Failure to understand and follow the contents of this manual may result in electrical shock, fire and/or serious personal injury.

Call the Ridge Tool Company, Technical Service Department at (800) 519-3456 if you have any questions.

▲ WARNING Switch Safety

The momentary contact switch incorporated in the power drive is for your safety. It lets you shut off the motor by removing your finger. If clothing should become caught in the pipe or cutter, it will continue to wind up, pulling you into the machine. Because the power drive has high torque, the clothing itself can bind around your arm or other body parts with enough force to crush or break bones.

Cutter Safety

- **Cutter is made to cut 2½" through 8" or 8" through 12". Follow instructions in operator's manual on proper use.** Other uses may increase risk of injury.
- **Keep fingers and hands away from cutter blade.** Reduces risk of being cut.
- **Keep guards in place.** Removal of guards increases the risk of injury.
- **Set-up cutter and 258 pipe supports on a flat, level surface. Be sure the cutter is stable and will not tip over. Do not use on a bench or any elevated surface.** Improper set-up increases the risk of injury.
- **Do not use if momentary contact switch for the 700 Power Drive is broken.** The purpose of the switch is to prevent injuries.
- **Secure the 700 Power Drive properly to the cutter. Carefully follow set-up instructions. Place foot pump behind cutter and near the power drive. Position the power cord clear of the blade.** Improper set-up increases the risk of injury.
- **Keep all personnel clear of rotating pipe. Use barricades if necessary.** Prevents entanglement in the pipe.
- **Do not use with dull, bent or damaged cutter wheels.** Less likely to bind and lose control.
- **Do not reach across cutter or rotating pipe.** May become entangled in the tool causing serious injury.
- **Keep hands and feet clear of the pipe in the event it falls after being cut. High pressure exerted by the cutter may cause the cut section to fly with considerable force.** May result in serious injury.

- **Cutter is designed for use with the RIDGID 700 Power Drive.** Use of other power drives may increase the risk of injury.
- **Wear leather gloves when handling pipe.** Burrs can penetrate cloth gloves.

SAVE THESE INSTRUCTIONS!

Description, Specifications and Standard Equipment

Description

The RIDGID 258 and 258XL Power Pipe Cutters are designed to squarely cut 2½" to 8" or 8" – 12" steel pipe. The cutting action is powered by the RIDGID 700 Power Drive in conjunction with a large diameter cutter wheel. The cutter wheel is advanced to the pipe via a pivot arm. The pivot arm advances the cutter wheel by utilizing a 10-ton hydraulic cylinder and foot pump.

The RIDGID 700 Portable Power Drive is an electro-motor-driven heavy-duty power drive which provides power for threading pipe, conduit and rod (bolt stock). In this case, the 700 Portable Power Drive is used as the power source to rotate the cutting blade.

Specifications

Description	258	258XL
Pipe Cutting Capacity	2½" – 8"	8" – 12"
Height (A)	22"	27"
Width (B)	11"	13"
Depth (C)	19"	24"
Weight		
(without 700 PD)	95 lbs.	130 lbs.
(with 700 PD)	126 lbs.	161 lbs.

Standard Equipment

- 258 or 258XL Cutter Frame
- Two Speed Foot Pump with Hose and Coupling
- 774 Square Drive Adapter for 700 PD
- 258PS Ball Transfer Head Pipe Supports (2)
- E258 General Purpose Cutting Wheel (Schedule 40 – 80 Capacity)

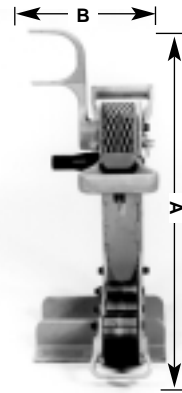


Figure 1



Figure 1A

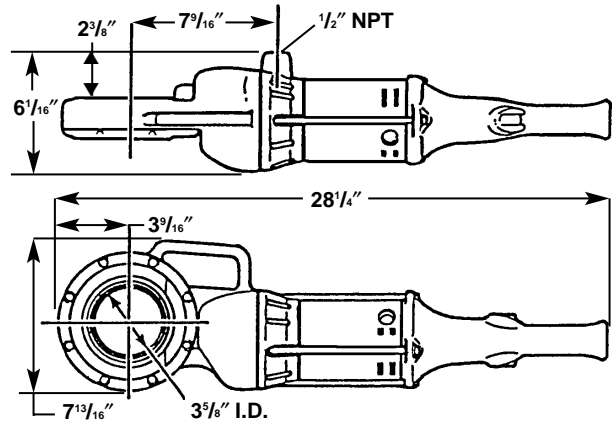


Figure 2 – No. 700 Power Drive Dimensions

Accessories

- 700 Power Drive (110 or 220 Volt)
- 258PS Ball Transfer Head Pipe Supports (2)
- Transport Cart for 258 and 258XL
- Cutter Wheel for Thin Wall Pipe (Schedule 10 – 20 capacity)
- Pipe Roller for Beveling



Ball Transfer Head



Cutter Wheel



Transport Cart

Assembly Instructions

▲ WARNING



To prevent serious injury, proper assembly of the Pipe Cutter is required. The following procedures should be followed:

1. Connecting the hydraulic foot pump to the cutter.
 - a. Insert the male end of the quick-disconnect coupling into the female end located on the hydraulic cylinder (Figure 3).
 - b. The foot pump relief valve must be depressed to release any line pressure and allow insertion of the quick connector.



Figure 3 – Connecting Hydraulic Foot Pump to Cutter

▲ WARNING Failure to secure the power drive with the reaction arm will result in the rotation of the power drive.

2. Connecting the 700 Power Drive to the cutter.
 - a. Push 774 Square Drive Adapter, spline end first, squarely into power drive face gear until spring loaded adapter pawls catch securely (Figure 4).

- b. Place power drive with adapter on the cutter. Power drive and adapter connect to the square drive on the cutter. Be sure power drive rests inside the reaction arm at the rear of the cutter (Figure 5).
- c. Hand tighten the two set screws on the 774 square drive adapter to the square drive with $\frac{5}{16}$ " allen wrench. (Provided with adapter.)

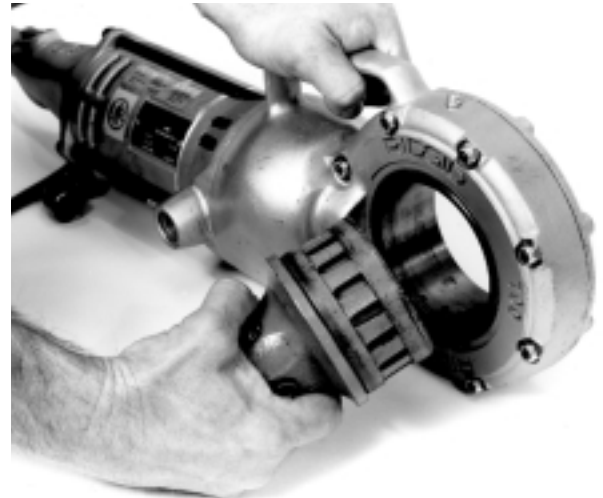


Figure 4 – Installing 774 Drive Adapter

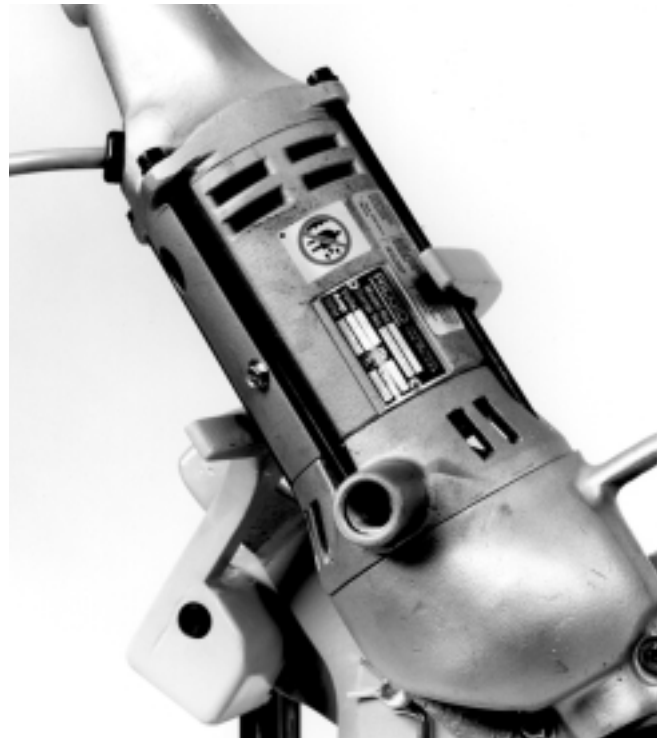


Figure 5 – Position Power Drive Inside Reaction Arm

Pipe Cutter Inspection

▲ WARNING

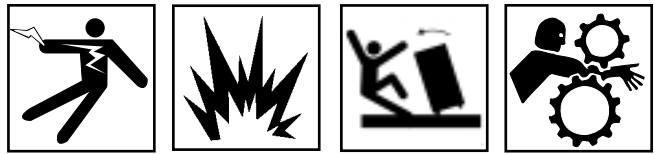


To prevent serious injury, inspect your Pipe Cutters and Power Drive. The following inspection procedures should be performed on a daily basis:

1. Make sure Power Drive is unplugged.
2. Inspect the cutter wheel to insure it is not dull, bent or damaged. Refer to the Special Procedures if it needs to be replaced.
3. Check that the cutter frame rollers are free to rotate under the pipe. Clean debris, pipe scale and dirt from rollers.
4. Insure pipe support ball transfer heads are free to move and are clean of dirt, pipe scale and debris.
5. Insure the three screws and lock washers are tight in the cutter wheel assembly.
6. Check fluid levels in the hydraulic foot pump. Insure fluid level is to the FULL MARK when the ram is fully retracted when checking level of fluid.
7. Check that cutter wheel guard is in place.
8. Inspect the power cord and plug for damage. If the plug has been modified, is missing the grounding pin or if the cord is damaged, do not use the Power Drive until the cord has been replaced.
9. Inspect the Pipe Cutter and Power Drive for any broken, missing, misaligned or binding parts as well as any other conditions which may affect the safe and normal operation of the tool. If any of these conditions are present, do not use the tool until any problem has been repaired.
10. Use tools and accessories that are specifically designed for your Power Cutter and meet the needs of your application. The correct tools and accessories allow you to do the job successfully and safely. Accessories suitable for use with other equipment may be hazardous when used with this equipment.
11. Clean any oil, grease or dirt from all handles and controls. This reduces the risk of injury due to a tool or control slipping from your grip.

Pipe Cutter and Work Area Set-Up

▲ WARNING



To prevent serious injury, proper set-up of the Pipe Cutter and work area is required. The following procedures should be followed to set-up the machine.

1. Locate a work area that has the following:
 - Adequate lighting.
 - No flammable liquids, vapors or dust that may ignite.
 - Grounded electrical outlet.
 - Clear path to the electrical outlet that does not contain any sources of heat or oil, sharp edges or moving parts that may damage electrical cord.
 - Dry place for machine and operator. Do not use the machine while standing in water.
 - Level ground. Do not use on bench or elevated surface.
2. Set-up guards or barricades to create a minimum of three (3) feet of clearance around the Pipe Cutter and workpiece. This "safety zone" prevents others from accidentally contacting the tool or workpiece and either causing the equipment to tip or becoming entangled in the rotating pipe.
3. Adjust the pivot arm holding the pipe cutter wheel to the correct pipe size (258 only). The pivot arm must be positioned for either 2½" through 4" pipe or 6" through 8". See "Special Procedures" for instructions.
4. Position the pump behind the cutter and near the power drive so that the operator can safely control the tool and workpiece. It should allow the operator to do the following:
 - Stand facing the pipe.
 - Have convenient access to the power drive switch and foot pump.

Tool is designed for one person operation.

5. Plug the Power Drive into the electrical outlet making sure to position the power cord along the clear path selected earlier. If the power cord does not reach the outlet, use an extension cord in good condition. Be sure power cord is clear of the cutter wheel.

⚠ WARNING To avoid electrical shock and electrical fires, never use an extension cord that is damaged or does not meet the following requirements:

- The cord has a three-prong plug similar to shown in Electrical Safety section.
- The cord is rated as “W” or “W-A” if being used outdoors.
- The cord has sufficient wire thickness (14 AWG below 25’/12 AWG 25’ - 50’). If the wire thickness is too small, the cord may overheat, melting the cord’s insulation or causing nearby objects to ignite.

⚠ WARNING To reduce risk of electrical shock, keep all electrical connections dry and off the ground. Do not touch plug with wet hands.

6. Check the Power Drive to insure it is operating properly.
 - Depress the switch and make sure it controls the stopping of the Power Drive by releasing the switch.
 - Depress and hold the switch. Inspect the moving parts for misalignment, binding, odd noises or any other unusual conditions that may affect the safe and normal operation of the tool. If such conditions are present, have the power drive serviced.
 - Depress switch in the opposite direction. Check that the power drive rotates in an opposite direction.

Using Pipe Supports

CAUTION

Pipe supports must be used to prevent cutter wheel damage. Failure to properly support the pipe will result in shortened wheel life.

Two (2) ball transfer head pipe supports are shipped with the 258 and 258XL Cutters. When cutting pipe in lengths of 18” or longer, additional pipe supports must be used.

1. As shown in *Figure 6*, the cutter and pipe supports must be positioned so that the pipe sections have a tendency to fall away from the cutter blade as the pipe is cut. If the cutter wheel is pinched by the pipe, it will damage the cutter wheel.

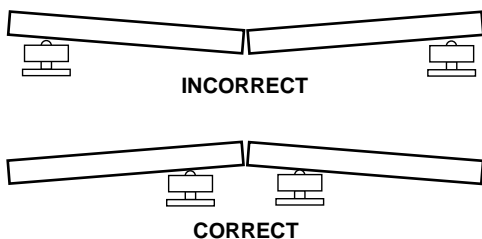


Figure 6 – Position Pipe Supports So That Cutter Wheel Is Not Pinched By The Pipe

2. Actual placement of the pipe supports will vary depending on the position of the cutter and the length of pipe. *Figure 7* illustrates typical set-ups of the pipe supports.

NOTE! The cutting of long sections of pipe may require four (4) pipe supports.

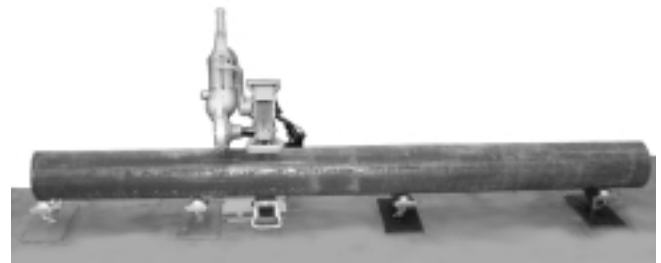


Figure 7A – Longer Lengths



Figure 7B – Very Short Lengths

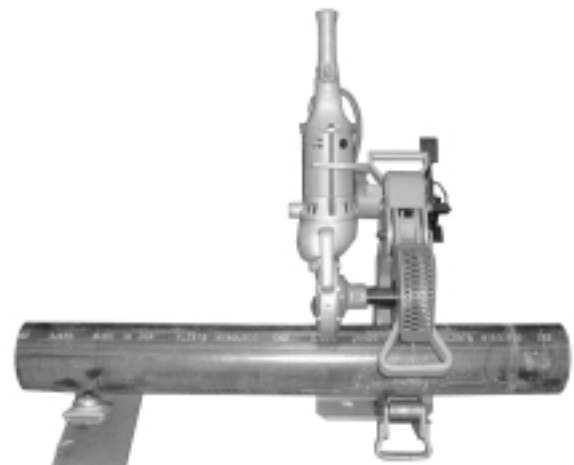
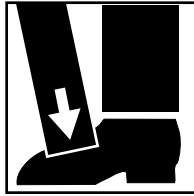


Figure 7C – Short to Medium Length

Operating Instructions

▲ WARNING



Keep fingers and hands away from cutter wheel. Do not reach across cutter or pipe. Keep hands and feet clear of pipe.

Cutter is designed for use with RIDGID 700 Power Drive. Power Drive must be secured by the reaction arm.

Be sure cutter is on a flat, level surface and the pipe is properly supported by pipe stands.

1. Be sure pipe is properly supported by pipe supports and will not pinch and damage the cutter wheel.
2. Mark the pipe at the desired length for cutting (use chalk or pipe marker).
3. Position pipe at marked point to the cutter wheel. Insure pipe is resting squarely on cutter frame rollers. Use foot pump to square pipe to the cutter wheel to avoid mistracking (*Figure 8*).



Figure 8 – Positioning Pipe in Cutter

IMPORTANT: Pipe must be free to rotate to perform cut.

4. Assure the correct operating position behind the pipe. Exert foot pressure on foot pump. Continue pumping foot pump to advance pivot arm and cutter wheel to the pipe.
5. After wheel comes in contact with pipe, pump an

additional 2 or 3 strokes, start 700 Power Drive. The pipe will start rotating once cutter wheel engages the pipe.

6. Pump repeatedly (3 to 4 times), this will “seat” the cutter wheel. Allow the pipe to rotate one or two revolutions without pumping.
7. Repeat pumping the foot pump three to four times then allow pipe to simply rotate for one or two revolutions before pumping again. Continue this process until pipe is cleanly cut through.

NOTE! Do not pump too aggressively. May distort pipe or damage cutter wheel. Complete at least one revolution before depressing the foot pump again.

Cutting Thin Wall Pipe

NOTE! The 258 and 258XL have a general purpose cutter wheel as standard equipment. This wheel is primarily designed to cut Schedule 40 pipe.

▲ CAUTION Do not use thin wheel on Schedule 40 or greater pipe! Cutter wheel damage will result.

For thin wall pipe (Schedule 10-20) use a thin wheel available as an accessory (see catalog for ordering information).

With the thin wheel installed use the following procedure:

- Position pipe on both pipe supports aligned with cutter.
- Pump foot pump several times to lower cutter wheel onto pipe (do not over pump).
- Pump twice to apply cutter wheel pressure.
- Start the 700 Power Drive.
- Pump once every 5 seconds (3-4 pipe revolutions).

▲ WARNING Do not force cutter. May cause personal injury or wheel damage.

- Repeat above step until cut is complete.
- Number of pumps and cutting time will vary with pipe diameter, schedule and material.

Special Procedures

Adjusting Pivot Arm for Correct Pipe Size (258 Only)

1. The 258 is designed to cut pipe from 2½" through 8" in diameter. The pivot arm holding the cutter wheel must be adjusted depending upon the size of the pipe being cut. The 258 is shipped from the factory with the pivot arm positioned for 2½" through 4" pipe cutting. To set the cutter for 6" through 8" diameter pipes, do the following:

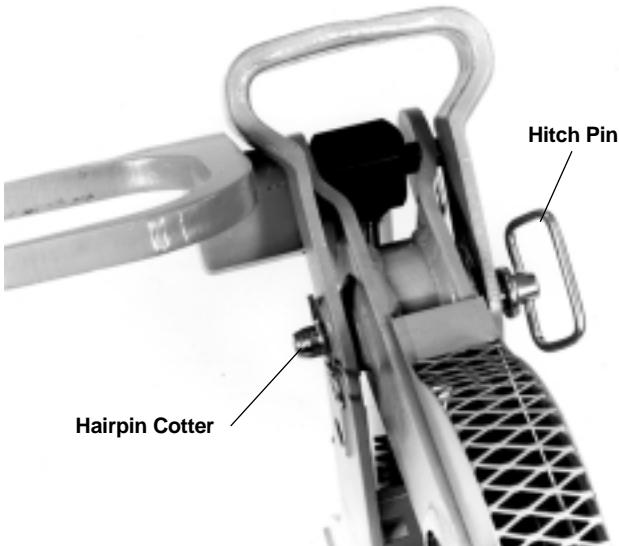


Figure 9 – Removing Hairpin Cotter and Hitch Pin

- a. Remove the hairpin cotter and hitch pin from the pivot arm (Figure 9). Reposition the pivot arm to the locating hole marked, 6" – 8". (HINT: Activate the foot pump to elevate the pivot arm.) Align the hole on the pivot arm with the hole in the cutter frame and insert the hitch pin and hairpin cotter. Use handle on front end of pivot arm to reposition (Figure 10).

NOTE! The hitch pin can be inserted from either side. However, it is easiest to insert the hitch pin from the opposite side of the power drive.

- b. Repeat this process when adjusting the cutter for 2½" through 4" pipe. Use the locating hole marked, 2½" – 4".

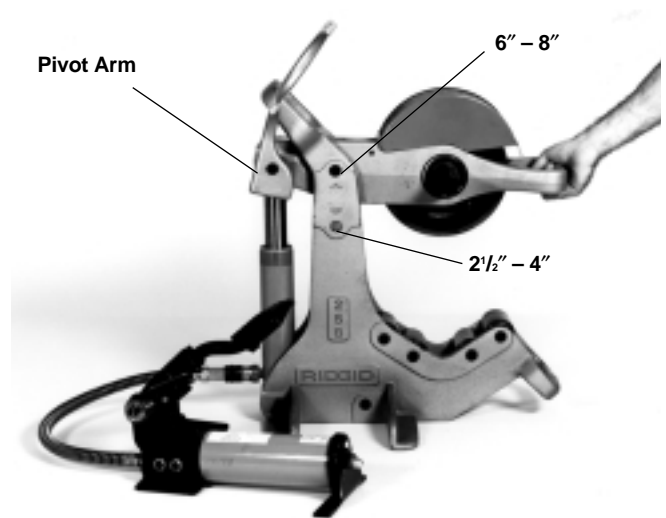


Figure 10 – Aligning Pivot Arm

Changing the Cutter Wheel

▲ WARNING

Unplug power cord when replacing cutter wheel or conducting other maintenance.

1. To replace worn cutter wheel:
 - a. Remove 774 square drive adapter and power drive from the square drive.
 - b. Locate locking nut on opposite side of square drive (Figure 11). With adjustable wrench or 15/16" wrench, loosen nut and remove. Remove washer.



Figure 11 – Remove Locking Nut



Figure 12 – Remove Cutter Wheel Assembly

- c. While holding onto cutter wheel assembly, pull drive shaft out and lift cutter wheel assembly up through top of pivot arm (Figure 12). If necessary, lightly tap opposite end of square drive with hammer or wrench to start removal.



Figure 13 – Cutter Wheel Assembly

NOTE! For multi-piece cutter wheel remove hub on cutter wheel. Locate the three (3) allen screws with lock washers and remove with 1/4" allen wrench (supplied with cutter). Remove cover plate to expose cutter wheel. Replace worn cutter wheel with new wheel (Figure 12). Replace cover plate and tighten allen screws with allen wrench.

- d. Return cutter wheel assembly or new cutter wheel to the cutter. Align square drive shaft with hub assembly and insert until shoulder butts up against inner race of bearing. Place washer and lock-nut on reverse side of square drive. Tighten until lock-nut bottoms out against washer.

NOTE! Do not over-tighten lock-nut. When nut bottoms out against washer, stop. Over-tightening can reduce wheel's ability to turn, requiring more power from power drive, or it may cause wheel to not track during cut.

- 2. Cutter wheel should easily and freely rotate in either direction when lock-nut is properly tightened.

Transporting

- 1. The 258 and 258XL are designed with hand-holds located at top rear, and bottom of frame front, for transporting the cutter (Figure 14). Do not use pivot arm handle to transport, as it may cause damage to the hydraulic cylinder.
- 2. Remove 700 Power Drive to reduce weight when carrying.

▲ WARNING

Two operators should carry the cutter when being moved to prevent personal injury.

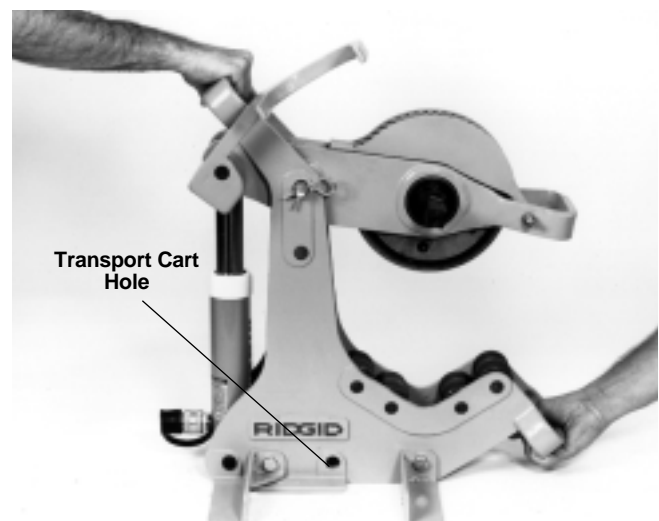


Figure 14 – Hand-holds for Transporting

Transporting Using The Transport Cart

A two wheeled cart is available as an accessory to allow for easier transporting. This transport cart, (see catalog for ordering information), is compatible with the 258 (2 1/2" – 8") as well as the 258XL (8" – 12"). By using a "J" clamp on the top frame handle along with a hitch pin through a frame hole (Figure 14), the transport cart can easily be installed.

NOTE! Transport cart does not interfere with the operation of the cutter and can remain attached.

Maintenance Instructions

▲ WARNING

Make sure Power drive is unplugged from power source before performing maintenance or making adjustment.

1. Ensure cutter frame rollers are free to rotate under the pipe. Clean debris, pipe scale, and dirt from rollers.
2. Ensure pipe support ball transfer heads are free to move and are clean of dirt, pipe scale, and debris.
3. Ensure the three screws and lock washers are tight in the cutter wheel assembly. Periodically check.
4. Check fluid levels in hydraulic foot pump. Ensure fluid level is to the full mark when the ram is fully retracted when checking level of fluid. When filling, make sure fluid is added to account for the hose.

▲ CAUTION Use only high grade hydraulic oil when replacing or adding hydraulic fluid.

Machine Storage

▲ WARNING Motor-driven equipment must be kept indoors or well covered in rainy weather. Store the machine in a locked area that is out of reach of children and people unfamiliar with cutting tools. This tool can cause serious injury in the hands of untrained users.

Service and Repair

▲ WARNING



The "Maintenance Instructions" will take care of most of the service needs of this machine. Any problems not addressed by this section should only be handled by an authorized RIDGID service technician.

Tool should be taken to a RIDGID Independent Authorized Service Center or returned to the factory. All repairs made by Ridge service facilities are warranted against defects in material and workmanship.

▲ WARNING When servicing this tool, only identical replacement parts should be used. Failure to follow these instructions may create a risk of serious injury.

If you have any questions regarding the service or repair of this machine, call or write to:

Ridge Tool Company
 Technical Service Department
 400 Clark Street
 Elyria, Ohio 44035-6001
 Tel: (800) 519-3456
 E-mail: TechServices@ridgid.com

For name and address of your nearest Independent Authorized Service Center, contact the Ridge Tool Company at (800) 519-3456 or <http://www.ridgid.com>

Troubleshooting

Troubleshooting Table

Problem	Cause	Correction
Foot pump does not advance ram	Hose connections are not complete	Insure hoses from pump to ram are completely secured
	Low hydraulic fluid	Insure fluid level is at full capacity
	Air in hydraulic system	Bleed system
Cutter wheel does not track	Cutter is not firmly clamped to pipe	Insure cutter squares itself to the pipe by pumping several times before starting power drive
	Pipe is not properly supported	Short lengths of pipe must rest squarely on cutter frame rollers. Long lengths must be supported with stands so the cutter can locate itself to pipe
	Cutter wheel has not been preloaded 2 or 3 pumps before starting 700 power drive	Pump 2 to 3 strokes on foot pump after cutter wheel contacts the pipe before starting the 700 Power Drive
Pipe does not rotate	Cutter wheel is not properly assembled	Insure cutter wheel is free to rotate in either direction in hub assembly (<i>See Directions</i>)
	774 Square Drive Adapter is not completely inserted in 700 gear head	Square Drive Adapter must be fully inserted, spline first into gear head
	Pipe is out-of round	Insure that pipe is free of flat areas or has not been crushed
700 motor does not start	Interruption of power supply	Examine supply
	Fuse blown	Install fuse
	Brushes do not touch armature	Check the brushes, renew used brushes
Abnormal heating of motor	Overload because of continuous operation	Let power drive cool after continuous use
	Insufficient cooling air	Clean the air-vent opening of the motor



Tronçonneuses à tuyaux 258 et 258XL

Tronçonneuse n° 258
avec système d'entraînement
n° 700

Tronçonneuse n° 258XL avec
système d'entraînement
n° 700

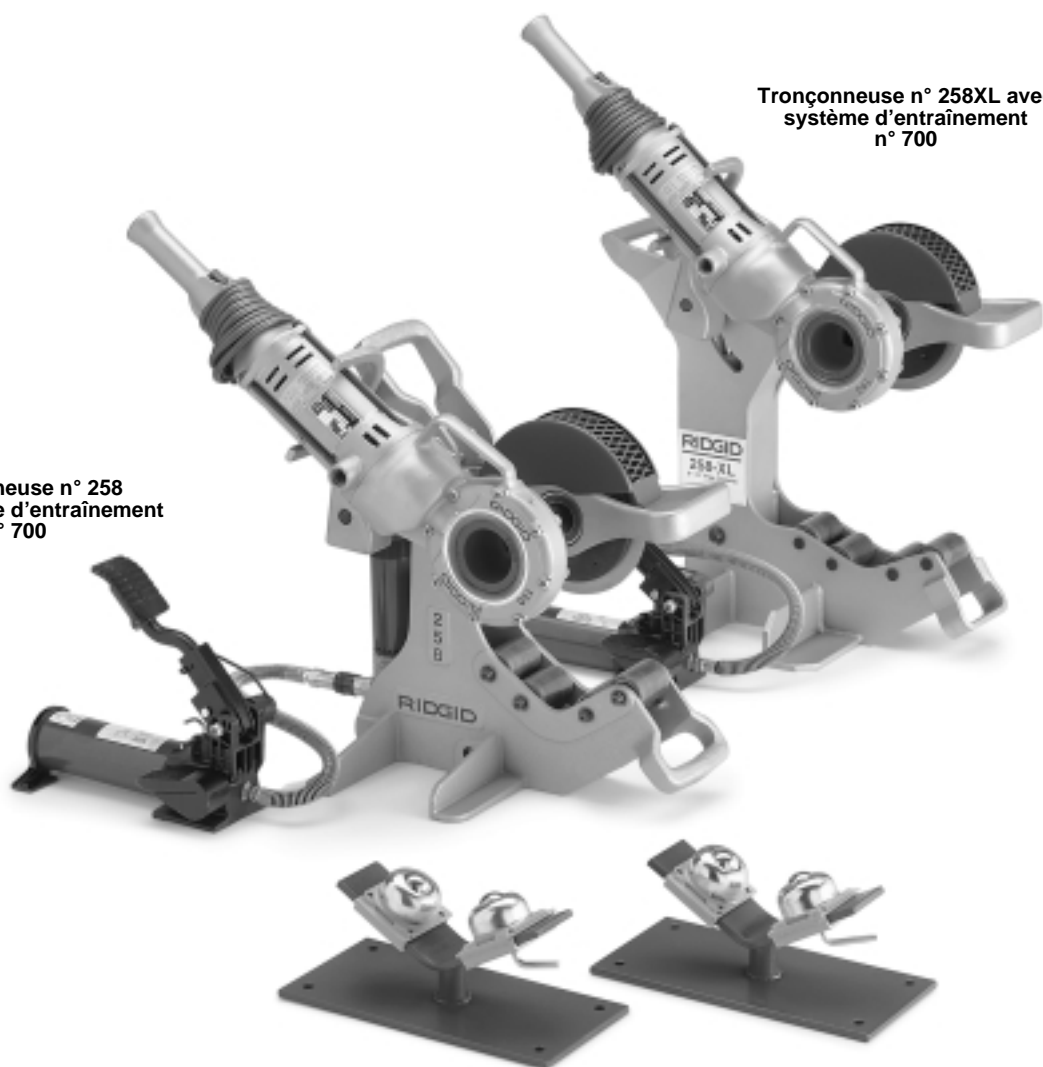


Table des matières

Consignes générales de sécurité

Sécurité du chantier	15
Sécurité électrique	15
Sécurité personnelle	15
Utilisation et entretien des outils	16
Service après-vente	16

Consignes de sécurité spécifiques

Sécurité de l'interrupteur	16
Sécurité de la tronçonneuse	17

Description, spécifications et accessoires

Description	17
Spécifications.....	17
Equipements de base	17
Accessoires	18

Assemblage de l'appareil	18
---------------------------------------	----

Inspection de la tronçonneuse	19
--	----

Préparation de la tronçonneuse et du chantier

Utilisation de porte-tubes	20
----------------------------------	----

Mode d'emploi

Coupe des tuyaux à parois minces	22
--	----

Procédés particuliers

Réglage du bras pivotant en fonction de la section du tuyau (258 uniquement)	22
Remplacement des disques de tronçonneuse.....	23
Transport de l'appareil	24
Utilisation du chariot de transport	24

Entretien de l'appareil	25
--------------------------------------	----

Stockage de l'appareil	25
-------------------------------------	----

Entretien et réparations	25
---------------------------------------	----

Dépannage	26
------------------------	----

Garantie à vie	Page de garde
-----------------------------	---------------

Consignes générales de sécurité

MISE EN GARDE ! Familiarisez-vous avec l'ensemble des instructions. Le non respect de l'ensemble des consignes ci-devant augmenterait les risques de choc électrique, d'incendie et d'accident grave.

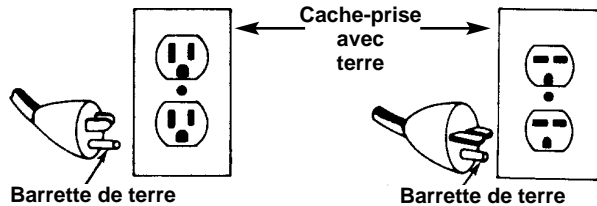
CONSERVEZ CES INSTRUCTIONS !

Sécurité du chantier

- **Gardez le chantier propre et bien éclairé.** Les établis encombrés et les endroits sombres sont une invitation aux accidents.
- **Ne pas utiliser d'appareils à moteur électrique en milieu explosif, tel qu'en présence de liquides, de gaz ou de poussières combustibles.** Les appareils électriques produisent des étincelles qui risquent d'enflammer les poussières ou vapeurs combustibles.
- **Ecartez les tiers, les enfants et les visiteurs lors de l'utilisation de tout appareil électrique.** Les distractions peuvent vous faire perdre le contrôle de l'appareil.

Sécurité électrique

- **Tout appareil électrique équipé d'une barrette de terre doit être branché sur une prise électrique installée et mise à la terre selon les normes en vigueur. Ne jamais tenter de retirer la barrette de terre ou de modifier la fiche d'une manière quelconque. Ne jamais utiliser d'adaptateurs de prise. En cas de doute sur la mise à la terre de la prise de courant envisagée, consulter un électricien.** La mise à la terre offre un passage de faible résistance qui éloigne le courant électrique de l'opérateur en cas d'anomalie ou de panne électrique.



- **Eviter tout contact physique avec des surfaces reliées à la terre (tuyauteries, radiateurs, cuisinières, réfrigérateurs, etc.).** Le contact physique avec une masse augmente les risques de choc électrique.
- **Ne pas exposer les appareils électriques à la pluie ou aux intempéries.** Toute pénétration d'eau à l'intérieur d'un appareil électrique augmente les risques de choc électrique.

- **Ne pas maltraiter le cordon d'alimentation de l'appareil. Ne jamais porter l'appareil par son cordon électrique ou y tirer dessus pour le débrancher. Eloigner le cordon de toutes sources de chaleur, des arrêtes vives et des mécanismes à proximité. Remplacer immédiatement tout cordon électrique endommagé.** Les cordons endommagés augmentent les risques de choc électrique.

- **Lors de l'utilisation d'appareils électriques à l'extérieur, utiliser des rallonges électriques portant la désignation "W-A" ou "W".** Ces types de rallonges sont prévus pour être utilisés à l'extérieur et réduisent les risques de choc électrique.

- **Utiliser exclusivement des rallonges électriques équipées d'une fiche mâle à trois barrettes (2 + terre) et une fiche femelle à trois trous pour recevoir la fiche du cordon d'alimentation de l'appareil.** L'utilisation d'autres types de rallonge électrique n'assurerait pas la mise à la terre de l'appareil et augmenterait les risques de choc électrique.

- **Utiliser la section de rallonge appropriée (voir le tableau).** Une section de conducteurs insuffisante entraînera des pertes de charge excessive et un manque de puissance.

Section minimale des fils conducteurs des rallonges			
Ampères indiqués sur la plaque signalétique	Longueur totale (en pieds)		
	0 à 25	26 à 50	51 à 100
0 à 6	18 AWG	16 AWG	16 AWG
6 à 10	18 AWG	16 AWG	14 AWG
10 à 12	16 AWG	16 AWG	14 AWG
12 à 16	14 AWG	12 AWG	Déconseillé

- **Garder les rallonges électriques au sec et surélevées. Ne pas toucher les fiches électriques ou l'appareil avec les mains mouillées.** Cette précaution a pour but de limiter les risques de choc électrique.

Sécurité personnelle

- **Il est nécessaire de rester attentif et de faire preuve de bon sens lors de l'utilisation d'un appareil électrique. Ne pas utiliser ce type d'appareil lorsque fatigué ou sous l'influence de drogues, de l'alcool ou de médicaments.** Lors de l'utilisation des appareils électriques, un instant d'inattention peut provoquer un accident grave.

- **S'habiller de manière appropriée. Ne pas porter de vêtements amples ou de bijoux. Attacher les cheveux longs. Ecartez les cheveux, les vêtements et les gants des pièces rotatives.** Les

vêtements amples, les bijoux et les cheveux longs peuvent être entraînés dans le mécanisme.

- **Éviter les risques de démarrage accidentel. S'assurer que l'interrupteur marche/arrêt est en position OFF (arrêt) avant de brancher l'appareil.** Brancher un appareil lorsque son interrupteur est en position de marche est une invitation aux accidents.
- **Enlever les clés et autres dispositifs de réglage avant de mettre l'appareil en marche.** Une clé laissée sur une partie rotative de l'appareil peut s'avérer très dangereuse.
- **Ne pas se mettre en porte-à-faux. Maintenir une bonne assise et un bon équilibre à tout moment.** Une bonne assise et un bon équilibre vous permettent de mieux contrôler l'appareil en cas d'imprévu.
- **Utiliser les équipements de sécurité appropriés. Porter systématiquement des lunettes de sécurité.** Un masque à poussière, des chaussures de sécurité, le casque et/ou une protection auditive doivent être prévus selon les conditions d'utilisation.

Utilisation et entretien de l'appareil

- **Utiliser une pince ou autre dispositif approprié pour fixer et soutenir l'ouvrage sur une plateforme stable.** Tenir un ouvrage à la main ou contre le corps n'assure pas une stabilité suffisante et risque de vous en faire perdre le contrôle.
- **Ne pas utiliser d'appareil dont l'interrupteur ne permet pas de contrôler la mise en marche ou l'arrêt.** Tout appareil qui ne peut pas être contrôlé par son interrupteur est dangereux et doit être réparé.
- **Débrancher le cordon électrique de l'appareil avant tout réglage, changement d'accessoires ou rangement de celui-ci.** De telles mesures préventives réduisent le risque de démarrage accidentel de l'appareil.
- **Ranger les appareils non utilisés hors de la portée des enfants et des personnes non-initiées.** Ces appareils sont dangereux entre les mains de personnes non initiées.
- **Entretenir les outils soigneusement. Garder les outils de coupe bien affûtés et en bon état de propreté.** Les outils bien entretenus avec des tranchants bien affûtés minimisent les risques de grippe et sont plus faciles à contrôler.
- **S'assurer qu'il n'y a pas de mauvais alignement ou de grippage des pièces rotatives ou d'autres conditions qui pourraient entraver le bon fonc-**

tionnement de l'appareil. Le cas échéant, faire réparer l'appareil avant de l'utiliser. De nombreux accidents sont le résultat d'un appareil mal entretenu.

- **Examiner l'appareil et son cordon d'alimentation périodiquement et remplacer tout élément défectueux.** Un cordon d'alimentation endommagé augmente les risques de choc électrique.
- **Garder les poignées de l'appareil propres, sèches et dépourvues d'huile ou de graisse.** Cela permettra de mieux contrôler l'appareil.

Service après-vente

- **Toutes réparations de l'appareil doivent être confiées à un réparateur qualifié.** La réparation ou l'entretien de l'appareil par du personnel non qualifié peut entraîner des accidents.
- **Lors de la réparation de l'appareil, utiliser exclusivement des pièces de rechange identiques à celles d'origine. Suivre les instructions de la section "Entretien" du mode d'emploi.** L'utilisation de pièces de rechange non homologuées ou le non respect des consignes d'entretien augmenterait les risques de choc électrique et d'accident.

CONSERVEZ CES INSTRUCTIONS !

Consignes de sécurité particulières

▲ MISE EN GARDE !

Familiarisez-vous avec ce mode d'emploi avant de tenter d'utiliser les tronçonneuses type 258 et 258XL. Le non respect des consignes qu'il contient augmenterait les risques de choc électrique, d'incendie et d'accident grave.

Veillez adresser toutes questions éventuelles aux services techniques de la Ridge Tool Company en composant le (800) 519-3456.

▲ MISE EN GARDE Sécurité de l'interrupteur

L'interrupteur à contact momentané du système d'entraînement est un dispositif de sécurité. Il assure l'arrêt immédiat du moteur dès qu'il est lâché. Un vêtement pris dans le tuyau ou la tronçonneuse risque de s'y enrouler en vous entraînant avec lui. Vu le couple élevé que produit le système d'entraînement, ce vêtement risque de s'enrouler autour d'un bras ou autre partie du corps avec suffisamment de force pour écraser ou briser les os.

Sécurité de la tronçonneuse

- **Cette tronçonneuse est prévue pour la coupe des tuyaux de 2 1/2 à 8 po (ou de 8 à 12 po) de diamètre. Respecter les limites d'utilisation indiquées au mode d'emploi.** Toute autre utilisation pourrait augmenter les risques d'accident.
- **Ecartez vos doigts et vos mains des disques de tronçonneuse.** Cela réduira les risques de blessure.
- **Garder les carters de sécurité en place.** Le retrait des carters augmenterait les risques d'accident.
- **Installer la tronçonneuse et les porte-tubes n° 258 sur une surface plane et de niveau. S'assurer que la tronçonneuse est stable et ne risque pas de se renverser. Ne pas utiliser sur établi ou autre surface élevée.** Une mauvaise installation augmenterait les risques d'accident.
- **Ne pas utiliser si l'interrupteur à contact momentané du système d'entraînement n° 700 est endommagé.** Le but de cet interrupteur est d'éviter les accidents.
- **Monter le système d'entraînement n° 700 sur la tronçonneuse de manière appropriée. Respecter les instructions d'installation à la lettre. Placer la pompe à pied derrière la tronçonneuse et à proximité du système d'entraînement. Eloigner le cordon d'alimentation du disque.** Une mauvaise installation augmenterait les risques d'accident.
- **Eloigner tout le personnel des tuyaux en rotation. Si nécessaire, utiliser des barricades.** Cela évitera les risques d'enchevêtrement.
- **Ne pas utiliser de disques de tronçonneuse émoussés, voilés ou endommagés.** Il y aura moins de risques de grippage et de perte de contrôle.
- **Ne pas se pencher sur la tronçonneuse ou le tuyau en rotation.** Cela augmenterait les risques d'enchevêtrement et d'accident grave.
- **Eloigner les mains et les pieds du tuyau en cas de chute en fin de tronçonnage. Le couple développé par la tronçonneuse risque de projeter la section coupée avec une force considérable.** Cela pourrait entraîner de graves blessures corporelles.
- **Cette tronçonneuse utilise le système d'entraînement RIDGID 700.** L'utilisation de tout autre système d'entraînement peut augmenter les risques d'accident.

- **Porter des gants en cuir lors de la manipulation des tuyaux.** Les gants en toile peuvent être perforés par les bavures éventuelles.

CONSERVEZ CES INSTRUCTIONS!

Description, spécifications et équipements de base

Description

Les tronçonneuses à tuyaux RIDGID 258 et 258XL sont prévues pour la coupe d'équerre des tuyaux en acier allant de 2 1/2 à 8 po ou de 8 à 12 po de diamètre. Le tronçonnage est assuré par le système d'entraînement RIDGID 700, associé à un disque de tronçonneuse de grand diamètre. Un bras pivotant assure l'avancement du disque de tronçonnage vers le tuyau. Ce bras pivotant assure l'avancement du disque de tronçonneuse à l'aide d'un cylindre hydraulique de 10 tonnes équipé d'une pédale hydraulique.

Le système d'entraînement portatif RIDGID 700 est un moteur électrique industriel qui sert à mouvoir les machines à fileter les tuyaux, les conduits et les tiges (qualité boulon). Dans le cas présent, le système d'entraînement portatif 700 sert à mouvoir le disque de tronçonneuse.

Spécifications

Description	258	258XL
Ø tuyaux	2 1/2 à 8 po	8 à 12 po
Hauteur (A)	22 po	27 po
Largeur (B)	11 po	13 po
Profondeur (C)	19 po	24 po
Poids		
(sans s/e 700)	95 livres	130 livres
(avec s/e 700)	126 livres	161 livres

Équipements de base

- Bâti de tronçonneuse n° 258 ou n° 258XL
- Pédale hydraulique à deux vitesses avec flexible et raccord
- Adaptateur d'entraînement n° 774 pour s/e n° 700
- (2) porte-tubes à boule n° 258PS
- Disque de tronçonneuse universelle n° E258 (pour tuyaux séries 40 – 80)

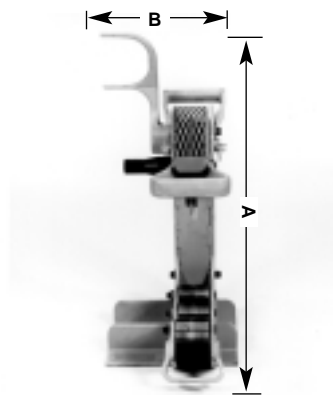


Figure 1



Figure 1A

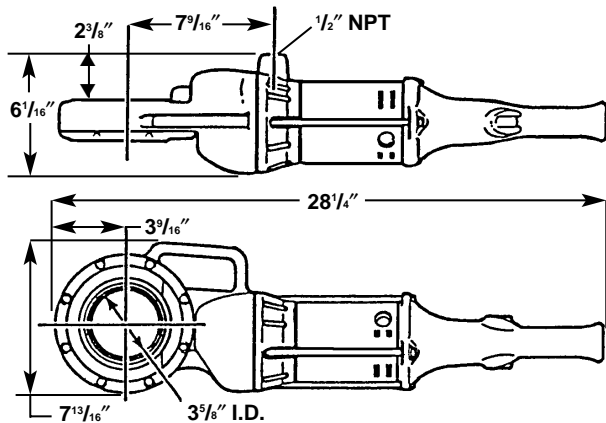
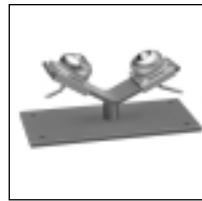


Figure 2 – Dimensions du système d'entraînement n° 700

Accessoires

- Système d'entraînement n° 700 (en 110 ou 220 Volts)
- (2) porte-tubes à boule n° 258PS
- Chariot de transport pour 258 et 258XL
- Disque de tronçonneuse pour tuyaux à parois minces (série 10 – 20)
- Galet de chanfreinage



Porte-tubes à boule



Disque de tronçonneuse



Chariot de transport

Assemblage de l'appareil

▲ MISE EN GARDE !



La prévention des accidents dépend de l'assemblage approprié de la tronçonneuse à tuyau. Respecter le processus d'assemblage suivant :

1. Raccordement de la pompe à pédale hydraulique sur la tronçonneuse.
 - a. Introduire le raccord mâle dans le raccord rapide du cylindre hydraulique (Figure 3).
 - b. Le clapet de sûreté de la pompe à pédale doit être enfoncé afin de libérer toute pression résiduelle et permettre l'insertion du raccord rapide.



Figure 3 – Raccordement de la pompe à pédale hydraulique sur la tronçonneuse

▲ MISE EN GARDE Le système d'entraînement doit être installé sur la barre d'appui afin de l'empêcher de tourner.

2. Montage du système d'entraînement n° 700 sur la tronçonneuse.
 - a. Enfoncer l'adaptateur d'entraînement, cannelures en premier, dans l'engrenage du système d'entraînement jusqu'à ce que les cliquets d'arrêt s'engagent (Figure 4).

- b. Monter le système d'entraînement avec adaptateur sur la tronçonneuse. Le système d'entraînement et son adaptateur s'engagent sur le carré de la tronçonneuse. S'assurer que le système d'entraînement repose sur la barre d'appui qui se trouve à l'arrière de la tronçonneuse (Figure 5).
- c. Serrer les deux vis de blocage de l'adaptateur d'entraînement n° 774 à l'aide de la clé Allen de $\frac{5}{16}$ po fournie avec l'adaptateur.

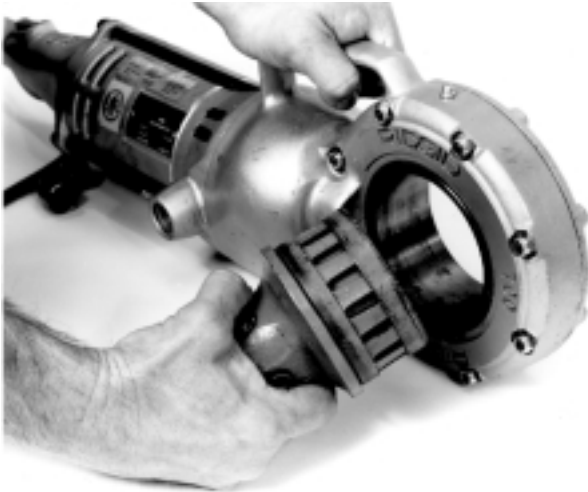


Figure 4 – Installation de l'adaptateur d'entraînement n° 774

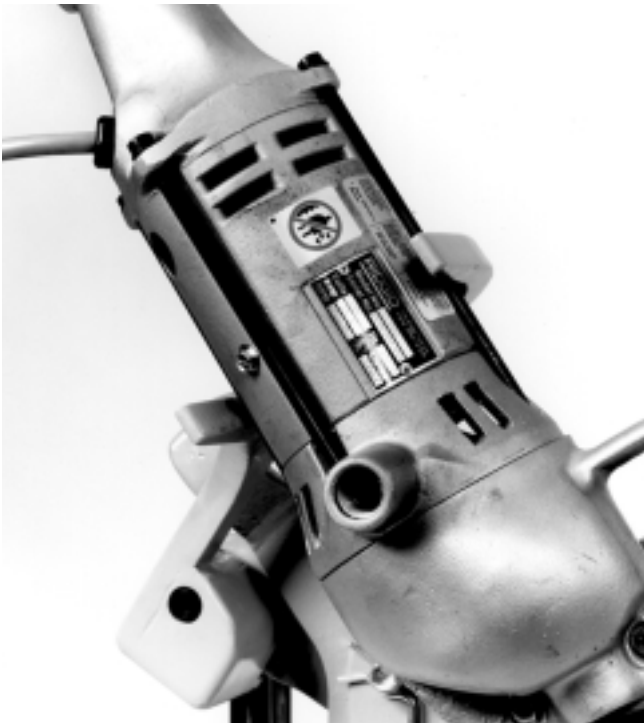


Figure 5 – Positionnement du système d'entraînement sur la barre d'appui

Inspection de la tronçonneuse à tuyaux

▲ MISE EN GARDE !



La prévention des accidents dépend de la préparation appropriée de la tronçonneuse et du chantier. Respecter les consignes d'installation suivantes :

1. S'assurer que le système d'entraînement est débranché.
2. Examiner le disque de tronçonneuse pour s'assurer qu'il n'est pas émoussé, vrillé ou endommagé. Se reporter à la section Procédés spéciaux s'il a besoin d'être remplacé.
3. Vérifier le libre roulement des rouleaux du chassais sous le tuyau. Éliminer toutes traces de débris, d'entartrage et de crasse éventuelles des rouleaux.
4. S'assurer que les boules des porte-tubes tournent librement et de l'absence de crasse, d'entartrage et de débris.
5. S'assurer que les trois vis avec rondelles fendues retenant le disque de tronçonneuse sont suffisamment bien serrées.
6. Vérifier le niveau de fluide hydraulique de la pompe hydraulique. Le fluide doit arriver au niveau du repère FULL lorsque le piston est complètement retiré.
7. S'assurer que le carter de protection du disque de tronçonneuse est en place.
8. Examiner le cordon d'alimentation et sa fiche pour signes d'anomalie. Si la fiche a été modifiée, qu'elle manque de barrette de terre ou que le cordon est endommagé, ne pas utiliser le système d'entraînement avant d'avoir remplacé le cordon d'alimentation.
9. Examiner la tronçonneuse et le système d'entraînement pour signes de pièces brisées, manquantes, mal alignées ou grippées, ainsi que pour toute autre anomalie qui risquerait de nuire à la sécurité et au bon fonctionnement de l'outil. Le cas échéant, faire réparer l'outil avant de l'utiliser.
10. Utiliser les outils et accessoires spécifiquement

prévus pour ce type de tronçonneuse et pour l'application envisagée. Les outils appropriés assurent une meilleure qualité de travail et une meilleure sécurité. Les accessoires prévus pour d'autres types d'appareil risquent d'être dangereux lorsqu'ils sont utilisés avec ce type de matériel.

11. Eliminer toutes traces d'huile, de graisse et de crasse éventuelles des poignées et des commandes. Cela réduira les risques d'accident provoqué par l'échappement de l'appareil ou l'une de ses commandes.

Préparation de la tronçonneuse et du chantier

▲ MISE EN GARDE !



La tronçonneuse et le chantier doivent être correctement préparés afin d'éviter les risques d'accident grave. Respecter les consignes suivantes lors de l'installation de la machine.

1. S'assurer que le chantier :
 - Offre suffisamment d'éclairage.
 - Est dépourvu de liquides, de vapeurs ou de poussières inflammables.
 - Est équipé d'une prise électrique avec terre.
 - Offre un passage dégagé jusqu'à la prise électrique permettant de l'abriter contre la chaleur, l'huile, les surfaces tranchantes et les mécanismes qui risquent d'endommager le cordon électrique.
 - Offre une plate-forme sèche pour l'appareil et son utilisateur. Ne pas utiliser cette machine lorsque vous avez les pieds dans l'eau.
 - Offre un sol de niveau. Ne pas utiliser d'établi ou d'autre surface surélevée.
2. Assurer un périmètre de sécurité d'un minimum de 3 pieds autour de la tronçonneuse et du tuyau à l'aide de barricades ou autres dispositifs d'interdiction. Ce périmètre de sécurité a pour but d'empêcher tout contact accidentel avec l'outil et le tuyau qui pourrait provoquer soit leur renversement, soit l'enchevêtrement d'un tiers dans le tuyau en rotation.
3. Réglez le bras pivotant de la tronçonneuse en fonction de la section de tuyau (258 seulement). Le

bras pivotant doit être réglé soit pour les tuyaux de 2 1/2 à 4 po, soit pour ceux de 6 à 8 po de diamètre. Voir la section "Procédés particuliers" pour les instructions correspondantes.

4. Positionner la pédale hydraulique à l'arrière de la tronçonneuse (près du système d'entraînement) de manière à permettre à l'utilisateur de mieux contrôler à la fois l'outil et le tuyau. Cela devrait permettre à l'utilisateur de pouvoir :
 - Se positionner face au tuyau.
 - Accéder facilement à la fois à l'interrupteur du système d'entraînement et à la pédale hydraulique.

Cet appareil ne nécessite qu'un seul opérateur.

5. Brancher le cordon d'alimentation du système d'entraînement en respectant le passage dégagé décrit plus haut. Si le cordon d'alimentation n'arrive pas jusqu'à la prise, utiliser une rallonge électrique en bon état. S'assurer que le cordon d'alimentation reste éloigné du disque de tronçonneuse.

▲ MISE EN GARDE Afin d'éviter le risque de choc électrique et d'incendie, ne jamais utiliser de rallonge électrique endommagée, ou qui ne correspond pas aux critères suivants :

- La rallonge doit être équipée d'une fiche à trois barrettes, semblable à celle indiquée à la section 'Sécurité électrique'.
- Toute rallonge utilisée à l'extérieur doit être du type "W" ou "W-A".
- Les conducteurs de la rallonge doivent être de section suffisante (14 AWG à moins de 25 pieds/12 AWG de 25 à 50 pieds). Si la section des conducteurs est insuffisante, la rallonge risque de surchauffer et fondre son isolation ou enflammer les objets à proximité.

▲ MISE EN GARDE Afin d'éviter les risques de choc électrique, garder toutes connexions électriques au sec et surélevées. Ne pas toucher les fiches avec des mains mouillées.

6. Vérifier le bon fonctionnement du système d'entraînement.
 - Appuyer sur l'interrupteur pour s'assurer que le système d'entraînement s'arrête dès qu'il est lâché.
 - Tout en tenant l'interrupteur appuyé, examiner le mécanisme pour signes de mauvais alignement, de grippage, de bruits étranges ou autres conditions inhabituelles qui pourraient nuire à la sécurité et au bon fonctionnement de l'appareil. Le cas échéant, faire réparer le système d'entraînement.

- Appuyer sur l'interrupteur en sens contraire. Vérifier que le système d'entraînement tourne bien en sens inverse.

Utilisation de porte-tubes

AVERTISSEMENT

Des porte-tubes doivent être utilisés afin d'empêcher le disque de tronçonneuse d'être endommagé. Un tuyau mal soutenu diminuera la longévité du disque.

Deux porte-tubes à boule sont livrés avec chaque tronçonneuse 258 et 258XL. Des porte-tubes supplémentaires seront nécessaires pour la coupe des tuyaux d'une longueur de 18 po ou plus.

1. Comme indiqué à la *Figure 6*, la tronçonneuse et les porte-tubes doivent être positionnés de manière à ce que les deux parties du tuyau aient tendance à tomber à l'opposé du disque de tronçonneuse lorsque le tuyau est sectionné. Le disque de tronçonneuse sera endommagé s'il est pincé par le tuyau.

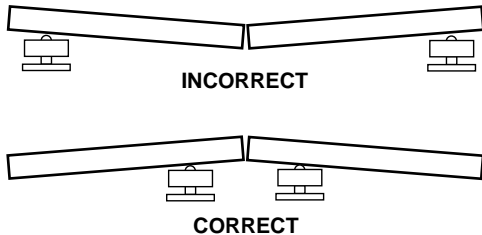


Figure 6 – Positionner les porte-tubes de manière à ce que le disque de tronçonneuse ne soit pas pincé par le tuyau

2. Le positionnement exacte des porte-tubes dépendra de la position de la tronçonneuse et de la longueur du tuyau. La *Figure 7* montre les différentes positions typiques des porte-tubes.

NOTA ! La coupe de tuyaux de grande longueur peut nécessiter l'utilisation de quatre porte-tubes.

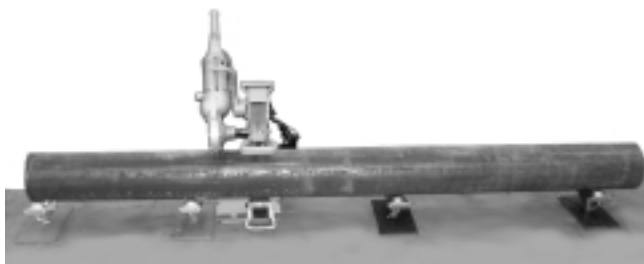


Figure 7A – Grandes longueurs



Figure 7B – Longueurs minimales

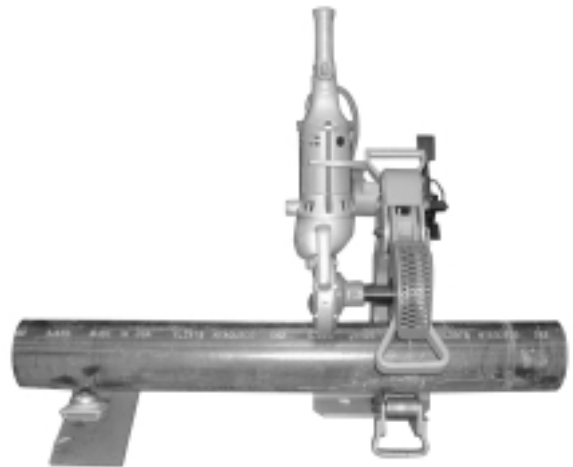
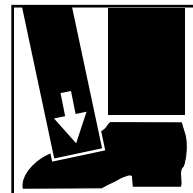


Figure 7C – Petites à moyennes longueurs

Mode d'emploi

▲ MISE EN GARDE !



Ecartez vos doigts et vos mains du disque de tronçonneuse. Ne vous penchez pas sur la tronçonneuse ou sur le tuyau. Eloignez vos mains et vos pieds du tuyau.

Cette tronçonneuse utilise le système d'entraînement RIDGID 700. Ce système d'entraînement doit être monté sur barre d'appui.

Assurez-vous que la tronçonneuse est installée sur une surface plane et de niveau et que le tuyau est soutenu de manière appropriée par des porte-tubes.

1. S'assurer que le tuyau est soutenu de manière appropriée par des porte-tubes afin de ne pas pincer et endommager le disque de tronçonneuse.
2. Utiliser de la craie ou un marqueur à tuyaux pour repérer la longueur de coupe voulue.
3. Aligner le repère de coupe du tuyau sur le disque de tronçonneuse. S'assurer que le tuyau est bien assis sur les rouleaux du cadre de la tronçonneuse. Utiliser la pédale hydraulique pour équarrer le tuyau sur le disque de tronçonneuse et éviter son dérapage (*Figure 8*).



Figure 8 – Positionnement du tuyau sur la tronçonneuse

AVIS IMPORTANT : Le tuyau doit pouvoir tourner librement durant son tronçonnage.

4. Se positionner de manière appropriée derrière le tuyau. Appuyer sur la pédale hydraulique. Continuer d'appuyer sur la pédale hydraulique pour faire avancer le bras pivotant et le disque de tronçonneuse vers le tuyau.
5. Lorsque le disque de tronçonneuse entre en contact avec le tuyau, ajouter 2 ou 3 coups de pédale, puis démarrer le système d'entraînement n° 700. Le tuyau commencera à tourner dès que le disque de tronçonneuse l'entame.
6. Pomper la pédale 3 ou 4 fois de suite pour asseoir le disque de tronçonneuse. Laisser tourner le tuyau une ou deux révolutions sans pomper.
7. Répéter le pompage de la pédale à 3 ou 4 reprise,

puis laisser tourner le tuyau une ou deux révolutions avant de pomper à nouveau. Continuer ce processus jusqu'à ce que le tuyau ait été complètement sectionné.

NOTA ! Les 258 et 258XL sont livrés avec un disque de tronçonneuse universel. Ce disque est principalement prévu pour la coupe des tuyaux série 40.

Coupe des tuyaux à parois minces

NOTA ! Les 258 et 258XL sont livrées avec disques de tronçonneuse universels. Ce type de disque est plus particulièrement prévu pour la coupe des tuyaux série 40.

⚠ AVERTISSEMENT Ne pas utiliser de disque mince sur les tuyaux série 40 ou plus ! Cela endommagera le disque.

Utiliser le disque mince optionnel (consulter le catalogue pour les modalités de commande) pour la coupe des tuyaux à parois minces (séries 10 – 20).

Le processus suivant s'applique à l'utilisation des disques minces :

- Positionner le tuyau sur deux porte-tubes dans l'alignement de la tronçonneuse.
- Pomper la pédale hydraulique à plusieurs reprises afin de rabattre le disque de tronçonneuse contre le tuyau (sans trop pomper).
- Pomper deux fois pour mettre le disque de tronçonneuse en charge.
- Démarrer le système d'entraînement n° 700.
- Pomper une fois toutes les cinq secondes (3 ou 4 révolutions du tuyau).

⚠ MISE EN GARDE Ne pas forcer la tronçonneuse. Cela pourrait provoquer un accident ou endommager le disque.

- Répéter le processus ci-dessus jusqu'à achever la coupe.
- Le nombre de coups de pompe et le temps nécessaire variera selon le diamètre, la série et la composition des tuyaux.

Procédés particuliers

Réglage du bras pivotant en fonction de la section du tuyau (258 uniquement)

1. La 258 permet de tronçonner les tuyaux allant de 2½ à 8 po de diamètre. Le bras pivotant qui sert de support au disque de tronçonneuse doit être réglé en fonction de la section de tuyau à couper. La 258 est livrée d'usine avec son bras pivotant réglé pour

les tuyaux de 2½ à 4 po de diamètre. Le réglage de la tronçonneuse pour les tuyaux de 6 à 8 po de diamètre se fait comme suit :

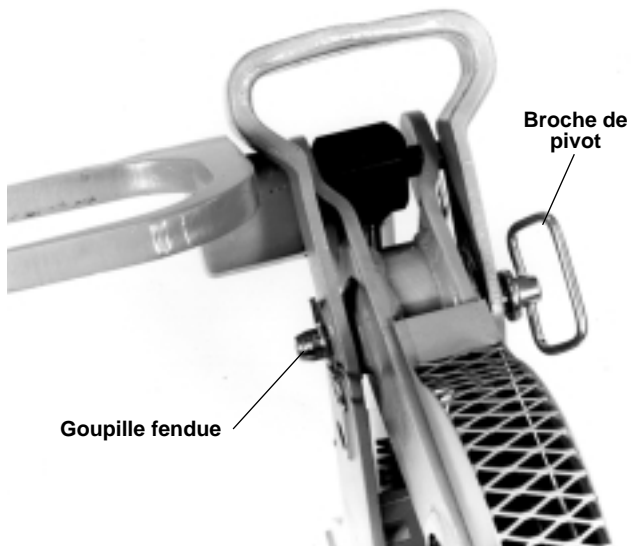


Figure 9 – Retrait de la goupille fendue et de la broche de pivot

- a. Retirer la goupille fendue et la broche de pivot du bras pivotant (*Figure 9*). En activant la pédale pneumatique, repositionner le bras pivotant jusqu'au trou marqué "6" – 8". Aligner le trou du bras pivotant avec le trou du bâti de la tronçonneuse, puis réintroduire la broche de pivot et la goupille fendue. Utiliser la poignée en tête du bras pivotant pour aligner les trous (*Figure 10*).

NOTA ! Quoique la broche de pivot puisse être introduite des deux côtés, il est plus facile de l'introduire du côté opposé au système d'entraînement.

- b. Répéter le processus pour la coupe des tuyaux de 2½ à 4 po de diamètre en utilisant le trou marqué "2½" – 4".

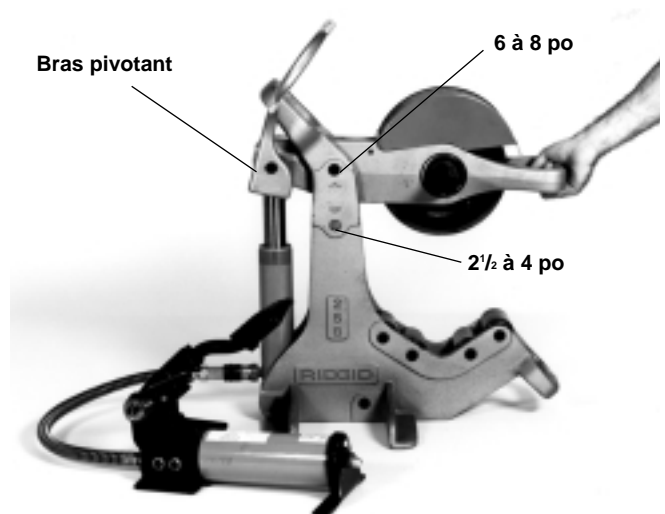


Figure 10 – Alignement du bras pivotant

Remplacement des disques de tronçonneuse

▲ MISE EN GARDE !

Débranchez le cordon d'alimentation avant tout remplacement de disque de tronçonneuse ou entretien de l'appareil.

1. Pour remplacer un disque de tronçonneuse usé :
 - a. Enlever l'adaptateur d'entraînement n° 774 et le système d'entraînement du carré d'entraînement.
 - b. A l'aide d'une clé à molette ou d'une clé plate de 15/16 po, enlever l'écrou de fixation du carré d'entraînement et sa rondelle.



Figure 11 – Retrait de l'écrou de fixation


Figure 12 – Retrait du disque de tronçonneuse

- c. Tout en tenant le disque de tronçonneuse, retirer l'axe, puis le disque, en ramenant ce dernier vers le haut du bras pivotant (Figure 12). Si nécessaire, tapoter sur l'axe avec un marteau ou une clé pour le débloquer.


Figure 13 – Composants du disque de tronçonneuse

NOTA ! Dans le cas des disques de tronçonneuse à pièces multiples, retirer le moyeu du disque de tronçonneuse. Retirer les trois vis Allen et leurs rondelles à l'aide de la clé Allen de 1/4 po fournie avec la tronçonneuse. Enlever la plaque de couverture pour exposer le disque de tronçonneuse. Remplacer le disque de tronçonneuse usé par un nouveau disque (Figure 12). Réinstaller la plaque de couverture et serrer les vis Allen à l'aide de la clé Allen.

- d. Réinstaller le disque de tronçonneuse à pièces multiples ou disque de tronçonneuse seul sur la tronçonneuse. Aligner l'axe du carré d'entraînement sur le moyeu, puis l'enfoncer jusqu'à la butée intérieure du roulement. Installer la rondelle et l'écrou du côté opposé du carré d'entraînement. Serrer jusqu'à ce que l'écrou bute à fond contre la rondelle.

NOTA ! Ne pas trop serrer l'écrou. Arrêter dès qu'il bute contre la rondelle extérieure. Un serrage excessif risque de freiner la rotation du disque de tronçonneuse et forcer le système d'entraînement, ou de l'empêcher de suivre le tracé de coupe.

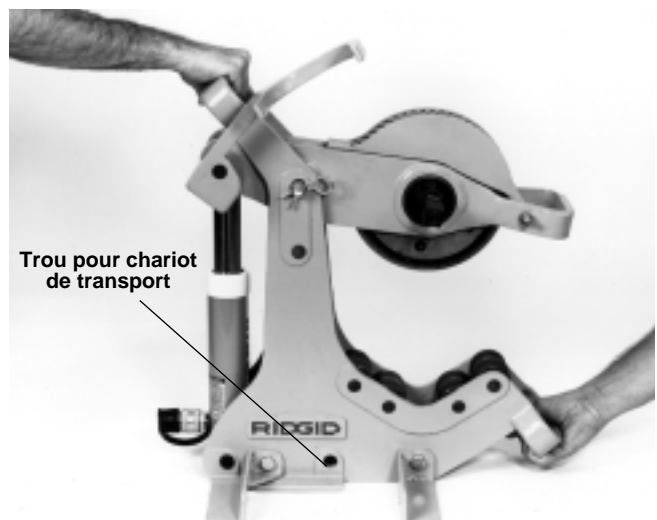
2. Une fois l'écrou correctement serré, le disque de tronçonneuse doit pouvoir tourner librement dans les deux sens.

Transport de l'appareil

1. Les 258 et 258XL sont équipées de poignées de manutention situées à l'arrière du bâti en partie haute, et à l'avant en partie basse (Figure 14). Ne pas tenter de transporter la tronçonneuse par la poignée du bras pivotant, car cela pourrait endommager le cylindre hydraulique.
2. Enlever le système d'entraînement n° 700 pour réduire le poids de l'ensemble durant son transport.

▲ MISE EN GARDE !

La tronçonneuse doit être transportée à deux afin d'éviter les risques d'accident.


Figure 14 – Poignées de manutention

Utilisation du chariot de transport

Un chariot à deux roues est disponible en tant qu'accessoire pour faciliter le transport de l'appareil. Ce chariot est compatible à la fois avec la 258 pour tuyaux de 2 1/2 à 8 po, et la 258XL pour tuyaux de 8 à 12 po (consulter le catalogue pour les modalités de commande). Le chariot s'adapte facilement à l'aide d'un crochet qui sert à arrimer la poignée de manutention supérieure et d'une broche qui s'introduit dans le trou en partie basse du bâti (Figure 14).

NOTA ! Le chariot de transport ne gêne pas le fonctionnement de la tronçonneuse et peut rester attaché.

Entretien de l'appareil

▲ MISE EN GARDE !

Assurez-vous que le système d'entraînement est débranché avant tout entretien ou réglage de l'appareil.

1. S'assurer que les rouleaux du bâti de la tronçonneuse peuvent tourner librement sous le tuyau. Eliminer toutes traces de débris, d'entartrage et de crasse.
2. S'assurer que les rouleaux des porte-tubes peuvent tourner librement et qu'ils ne sont pas encrassés ou entartrés.
3. S'assurer du bon serrage des trois vis et rondelles de retenue du disque de tronçonneuse en les vérifiant régulièrement.
4. Vérifier le niveau du fluide hydraulique de la pompe à pédale. Lors de la vérification, s'assurer que le niveau arrive jusqu'au repère 'plein' lorsque le piston est complètement retiré. Lors du remplissage, ne pas oublier d'ajouter une quantité de fluide suffisante pour remplir le tuyau.

▲ AVERTISSEMENT Utiliser exclusivement un fluide hydraulique de haute qualité lors du remplacement ou de l'appoint de fluide.

Stockage de l'appareil

▲ MISE EN GARDE Tout appareil électrique doit être rangé à l'intérieur ou convenablement protégé contre les intempéries. Rangez l'appareil dans un local sous clé, hors de la portée des enfants et des individus non familiarisés avec les outils de coupe. Cet outil peut être dangereux entre les mains d'individus inexpérimentés.

Entretien et réparations

▲ MISE EN GARDE !



La section 'Entretien' couvre la majorité des besoins d'entretien courant de l'appareil. Tout problème éventuel qui ne serait pas couvert dans cette section doit être confié à un réparateur RIDGID agréé.

Le cas échéant, l'appareil doit être soit confié à un réparateur RIDGID indépendant ou renvoyé à l'usine. Toutes réparations effectuées par les services Ridge sont garanties contre les vices de matériel et de main d'œuvre.

▲ MISE EN GARDE Seules des pièces de rechange identiques doivent être utilisées lors de la réparation de cet appareil. Le non respect de cette consigne peut augmenter les risques d'accident.

Veillez adresser toutes questions éventuelles concernant l'entretien ou la réparation de cet appareil aux coordonnées suivantes :

Ridge Tool Company
 Technical Service Department
 400 Clark Street
 Elyria, Ohio 44035-6001
 Tel: (800) 519-3456
 E-mail: TechServices@ridgid.com

Pour obtenir les coordonnées du réparateur agréé le plus proche, consulter la société Ridge Tool au (800) 519-3456 ou <http://www.ridgid.com>

Dépannage

Tableau de dépannage

Problème	Cause	Remède
La pompe à pied ne fait pas avancer le piston	Les flexibles sont mal raccordés	Vérifiez que les flexibles entre pompe et piston sont bien serrés
	Manque de fluide hydraulique	Assurez-vous qu'il y ait le plein de fluide
	Prise d'air dans le système hydraulique	Purgez le système
Le disque de tronçonneuse ne s'aligne pas	La tronçonneuse n'est pas correctement fixée au tuyau.	Assurez-vous que la tronçonneuse s'aligne sur le tuyau en donnant quelques coups de pompe avant de démarrer le moteur d'entraînement.
	Le tuyau n'est pas tenu correctement	Les petites longueurs de tuyau doivent être bien assises sur les galets du châssis de la tronçonneuse. Les grandes longueurs doivent être soutenues à l'aide des porte-tubes pour permettre à la tronçonneuse de se centrer sur le tuyau.
	Le disque n'a pas été amorcé par deux ou trois coups de pompe avant le démarrage du moteur d'entraînement modèle 700	Une fois que le disque est arrivé en contact avec le tuyau, appuyez sur la pompe à pied à deux ou trois reprises avant de démarrer le moteur d'entraînement modèle 700
Le tuyau ne tourne pas	Le disque de tronçonneuse n'est pas correctement assemblé	Assurez-vous que le disque de tronçonneuse tourne librement dans les deux sens (voir instructions)
	Le carré adaptateur no 774 n'est pas complètement introduit dans la tête de pignon no 700	Le carré adaptateur doit être complètement introduit, cannelures en avant, dans la tête de pignon
	Le tuyau est ovalisé	Assurez-vous que le tuyau ne présente pas de plats et qu'il n'a pas été écrasé
Le moteur RIDGID 700 ne démarre pas	Coupure de courant	Vérifiez l'alimentation
	Fusible grillé	Installez un fusible
	Les balais ne touchent pas l'armature du moteur	Vérifiez les balais, remplacez les balais usés
Le moteur chauffe excessivement	Surcharge due à une utilisation prolongée	Laissez refroidir le moteur après une utilisation prolongée
	Insuffisance d'air de refroidissement	Nettoyez l'orifice d'arrivée d'air du moteur



Cortatubos autopropulsados Nos. 258 y 258XL

Cortatubos autopropulsado No. 258XL con el
Accionamiento motorizado No. 700

Cortatubos autopropulsado No. 258 con el
Accionamiento motorizado No. 700



ÍNDICE

Información general de seguridad

Seguridad en la zona de trabajo29

Seguridad eléctrica29

Seguridad personal29

Uso y cuidado del aparato30

Reparaciones.....30

Información específica de seguridad

Seguridad del interruptor30

Seguridad del cortatubos31

Descripción, especificaciones y accesorios

Descripción31

Especificaciones31

Equipo estándar32

Accesorios32

Instrucciones para el montaje.....32

Revisión del cortatubos.....33

Preparación del cortatubos y de la zona de trabajo

Empleo de Portatubos34

Instrucciones de funcionamiento para cortar tubos

Corte de tubos de pared delgada36

Procedimientos especiales

Regulación del brazo de pivote según el diámetro del tubo (sólo No. 258).....37

Recambio de la rueda de corte37

Transporte38

Empleo de la carretilla de transporte39

Instrucciones para el mantenimiento.....39

Almacenamiento del aparato39

Mantenimiento y reparaciones39

Detección de averías40

Garantía vitalicia.....carátula posterior

Información general de seguridad

¡ADVERTENCIA! Lea y comprenda todas las instrucciones. Pueden ocurrir golpes eléctricos, incendios y/o lesiones personales graves si no se siguen todas las instrucciones detalladas a continuación.

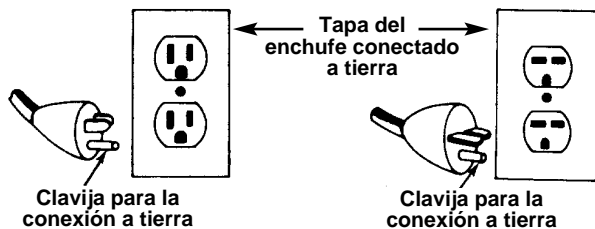
¡GUARDE ESTAS INSTRUCCIONES!

Seguridad en la zona de trabajo

- **Mantenga su área de trabajo limpia y bien iluminada.** Los bancos de trabajo desordenados y las zonas oscuras invitan a que se produzcan accidentes.
- **No haga funcionar aparatos eléctricos en atmósferas explosivas, como por ejemplo, en la presencia de líquidos, gases o polvos inflamables.** Los aparatos generan chispas que pueden encender el polvo o los gases.
- **Al hacer funcionar un aparato, mantenga apartados a los espectadores, niños y visitantes.** Las distracciones pueden hacerle perder el control del aparato.

Seguridad eléctrica

- **Los aparatos provistos de una conexión a tierra deben ser enchufados a un tomacorriente debidamente instalado y conectado a tierra de acuerdo con todos los códigos y reglamentos. Jamás extraiga del enchufe la tercera clavija que conduce a tierra ni lo modifique de manera alguna. No use ningún tipo de enchufe adaptador. Si tiene dudas sobre la conexión a tierra del tomacorriente, consulte con un electricista calificado.** Si el aparato sufre una avería eléctrica o de otro tipo, la conexión a tierra proporciona una vía de baja resistencia para conducir la electricidad lejos del usuario.



- **Evite que su cuerpo haga contacto con superficies conectadas a tierra tales como tuberías, radiadores, cocinas, estufas y refrigeradores.** Si su cuerpo queda conectado a tierra, aumenta el riesgo de que sufra un choque eléctrico.
- **No esponga los aparatos eléctricos a la lluvia o a**

condiciones mojadas. Si agua penetra en un aparato a motor, aumenta el riesgo de que se produzca un golpe eléctrico.

- **No maltrate el cordón. Nunca tire del cordón para sacar el enchufe del tomacorriente. Mantenga el cordón lejos de fuentes de calor, aceite, bordes cortantes o piezas movibles. Recambie los cordones dañados de inmediato.** Los cordones en mal estado aumentan los riesgos de que se produzca un choque eléctrico.
- **Al hacer funcionar un aparato a motor a la intemperie, emplee un cordón de extensión fabricado para uso exterior y rotulado "W-A" o "W".** Estos cordones han sido diseñados para su empleo al aire libre y reducen el riesgo de que se produzca un choque eléctrico.
- **Use solamente un cordón de extensión de tres alambres equipado con un enchufe de tres clavijas para conexión a tierra, y un tomacorriente de tres polos que acoja a las tres clavijas del enchufe del aparato.** Otros alargadores no conectarán el aparato a tierra y aumentará el riesgo de que se produzcan choques eléctricos.
- **Use cordones de extensión apropiados.** (Vea la tabla). Una dimensión insuficiente del conductor causará una caída excesiva del voltaje y una pérdida de potencia.

Dimensión mínima de alambre para cordones de extensión			
Amperios en la placa de características	Largo total (en pies)		
	0-25	26-50	51-100
0-6	18 AWG	16 AWG	16 AWG
6-10	18 AWG	16 AWG	14 AWG
10-12	16 AWG	16 AWG	14 AWG
12-16	14 AWG	12 AWG	NO SE RECOMIENDA

- **Mantenga todas las conexiones eléctricas secas y levantadas del suelo. No toque los enchufes o el aparato con las manos mojadas.** De esta manera se evita un choque eléctrico.

Seguridad personal

- **Manténgase alerta, preste atención a lo que está haciendo y use sentido común cuando trabaje con un aparato a motor. No lo use si está cansado o se encuentra bajo la influencia de drogas, alcohol o medicamentos.** Sólo un breve descuido mientras hace funcionar equipos motorizados puede resultar en lesiones personales graves.
- **Vístase adecuadamente. No lleve ropa suelta ni joyas. Amarre una cabellera larga. Mantenga su**

cabello, ropa y guantes apartados de las piezas en movimiento. La ropa suelta, las joyas o el pelo largo pueden engancharse en las piezas móviles.

- **Evite echar a andar el aparato sin querer. Antes de enchufarlo, asegure que el interruptor se encuentre en la posición OFF (apagado).** Enchufar aparatos que tienen el interruptor en la posición de encendido o acarrearlos con el dedo en el interruptor es una invitación a que se produzcan accidentes.
- **Antes de colocar el interruptor en la posición de ON (encendido) extraiga todas las llaves de ajuste.** Una llave mecánica o una llave que se ha dejado acoplada a una pieza giratoria del aparato puede ocasionar lesiones personales.
- **No trate de extender su cuerpo para alcanzar algo. Mantenga sus pies firmes en tierra y un buen equilibrio en todo momento.** Al mantener el equilibrio y los pies firmes, tendrá mejor control sobre el aparato en situaciones inesperadas.
- **Use equipo de seguridad. Siempre lleve protección para la vista.** Cuando las condiciones lo requieran, debe usar mascarilla para el polvo, calzado de seguridad antideslizante, casco duro o protección para los oídos.

Uso y cuidado del aparato

- **No fuerce el aparato. Use la herramienta o accesorio que corresponde para el trabajo que va a realizar.** La herramienta correcta hará el trabajo mejor y en forma segura, a la velocidad indicada.
- **Si el interruptor de ENCENDIDO/APAGADO no funciona, no use el aparato.** Cualquier aparato que no pueda ser controlado mediante su interruptor es peligroso y debe ser reparado.
- **Antes de efectuar trabajos de regulación, de cambiar accesorios o de almacenar el aparato, desconecte su enchufe del suministro de corriente.** Este tipo de seguridad preventiva reduce el riesgo de poner el aparato en marcha involuntariamente.
- **Almacene los aparatos que no estén en uso fuera del alcance de los niños y de otras personas sin entrenamiento.** Los aparatos son peligrosos en manos de usuarios no capacitados.
- **Hágale cuidadoso mantenimiento a su aparato. Mantenga las herramientas de corte del aparato afiladas y limpias.** Es menos probable que las herramientas de corte bien mantenidas se traben, y resultan más fáciles de controlar.

- **Revise si las piezas móviles del aparato están desalineadas o agarrotadas, si hay piezas quebradas y si existe cualquiera otra condición que pueda afectar el funcionamiento del equipo. Si detecta cualquier daño, antes de usar el aparato, hágalo componer.** Los aparatos mal mantenidos causan numerosos accidentes.
- **Inspeccione el aparato y los cordones de extensión periódicamente y cámbielos si es necesario.** Los cordones de extensión dañados aumentan el riesgo de sufrir un choque eléctrico.
- **Mantenga los mangos limpios y secos, libres de aceite y grasa.** Esto permite un mejor control del aparato.

Reparaciones

- **Las reparaciones del aparato sólo deben ser efectuadas por personal capacitado.** El mantenimiento o las reparaciones practicadas por personal no calificado pueden resultar en lesiones.
- **Cuando se le hagan mantenimiento o reparaciones a un aparato, deben usarse únicamente repuestos o piezas de recambio idénticas. Siga las instrucciones en la sección de Mantenimiento de este manual.** Pueden producirse choques eléctricos o lesiones personales si no se emplean piezas o partes autorizadas, o si no se siguen las instrucciones de mantenimiento.

¡GUARDE ESTAS INSTRUCCIONES!

Información específica de seguridad

▲ ADVERTENCIA

Lea este Manual del Operario cuidadosamente antes de usar estos Cortatubos Nos. 258 ó 258XL. Pueden producirse choques eléctricos, incendios y/o graves lesiones personales si no se comprenden y respetan todas las instrucciones de este manual.

Si tiene cualquier pregunta, llame al Departamento de Servicio Técnico de Ridge Tool Company al (800) 519-3456.

▲ ADVERTENCIA Seguridad del interruptor

El interruptor de contacto momentáneo, incorporado en el Accionamiento motorizado que propulsa al cortatubos, está allí para proteger al operario. Le permite apagar el motor con sólo quitar su dedo de encima. Si se le llegara a enganchar una prenda de

vestir en el tubo o el Cortatubos, ésta continuará enrollándose alrededor de ellos tirándolo a usted hacia el aparato. Debido al poderoso par torsor generado por el Accionamiento motorizado, la ropa misma puede envolverse en un brazo u otra parte de su cuerpo con la suficiente fuerza como para aplastar o quebrarle los huesos.

Seguridad del Cortatubos

- **El Cortatubos está diseñado para cortar tubos de 2 1/2 a 8 pulgadas de diámetro ó de 8 a 12 pulgadas. Siga las instrucciones en el manual del operario para usarlo correctamente.** Cuando el Cortatubos se somete a usos indebidos, corre el riesgo de lesionarse.
- **Mantenga sus dedos y manos apartados de la rueda cortadora.** Así disminuye el riesgo de que usted se corte.
- **Mantenga las cubiertas protectoras del aparato en su lugar.** Cuando se hace funcionar el aparato sin sus cubiertas protectoras, aumenta el riesgo de sufrir lesiones.
- **Instale el Cortatubos y los portatubos No. 258 en una superficie plana y nivelada. Asegure que el Cortatubos se encuentre estable y no pueda volcarse. No lo haga funcionar sobre un banco u otra superficie elevada.** El montaje indebido del aparato aumenta el riesgo de que se produzcan lesiones.
- **No haga funcionar el aparato si el interruptor de contacto momentáneo en el Accionamiento motorizado no funciona.** El propósito del interruptor es evitar accidentes.
- **Asegure que el Accionamiento motorizado No. 700 esté correctamente montado sobre el cortatubos. Siga las instrucciones de montaje al pie de la letra. Coloque la bomba de pie detrás del cortatubos y próxima al Accionamiento motorizado. Aparte el cordón de suministro de la rueda u hoja de corte.** El montaje incorrecto aumenta el riesgo de que se produzcan lesiones.
- **Mantenga a todos los presentes apartados de un tubo que está girando. Si es necesario, coloque barreras.** Esto impide que alguien se lesione con un tubo en movimiento.
- **No use el Cortatubos con una rueda de corte desafilada, doblada o dañada.** Así se evita que el aparato se trabe y que usted no lo pueda controlar.
- **No se estire por encima del Cortatubos ni del**

tubo que gira. Sufre el riesgo de engancharse en ellos y sufrir lesiones graves.

- **Mantenga sus manos y pies apartados del tubo en caso de que éste caiga después de haber sido cortado. La fuerte presión que ejerce la cortadora puede hacer que el trozo cortado salga despedido con gran fuerza.** Esto puede causar lesiones graves.
- **El Cortatubos debe utilizarse con un Accionamiento motorizado No. 700 solamente.** El uso de cualquier otro accionamiento a motor aumenta el riesgo de lesiones.
- **Use guantes de cuero cuando manipule tubos.** Las rebabas pueden penetrar los guantes de tela.

¡GUARDE ESTAS INSTRUCCIONES!

Descripción, especificaciones y equipo estándar

Descripción

Los Cortatubos autopropulsados Nos. 258 y 258XL de RIDGID han sido diseñados para cortar en ángulo recto tubos de acero de 2 1/2 a 8 pulgadas o de 8 a 12 pulgadas de diámetro. Los cortes los realiza una rueda de corte de gran diámetro propulsada por el Accionamiento motorizado No. 700 de RIDGID. La rueda de corte se trae hacia el tubo con un brazo de pivote. El brazo pivote hace avanzar la rueda de corte con la ayuda de un cilindro hidráulico de 10 toneladas y de una bomba de pie.

El Accionamiento motorizado portátil RIDGID 700 es un motor eléctrico de accionamiento, tipo industrial, utilizable en el roscado de tubos, tubería para conductores o portacables, y varillas (pernería). En este caso, el Accionamiento motorizado portátil No.700 es el que suministra la fuerza que hace girar la rueda de corte.

Especificaciones

Descripción	258	258XL
Capacidad de Corte.....	2 1/2 a 8 pulg.	8 a 12 pulg.
Altura (A)	22 pulg.	27 pulg.
Ancho (B).....	11 pulg.	13 pulg.
Profundidad (C)	19 pulg.	24 pulg.
Peso		
(sin Accionamiento 700)	95 lbs.	130 lbs.
(con Accionamiento 700) ...	126 lbs.	161 lbs.

Equipo estándar

- Bastidor 258 ó 258XL
- Bomba de pie de dos velocidades con manguera y acoplamiento
- Adaptador cuadrado No. 774 para el Accionamiento motorizado No. 700
- (2) Portatubos 258PS con cabezales de transferencia a bolas
- Rueda de corte de uso general E258

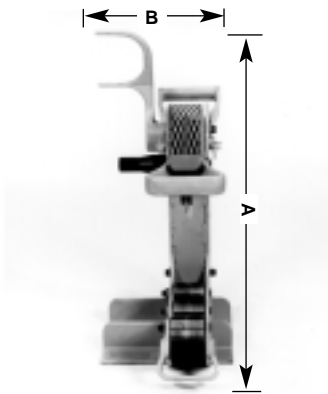


Figura 1

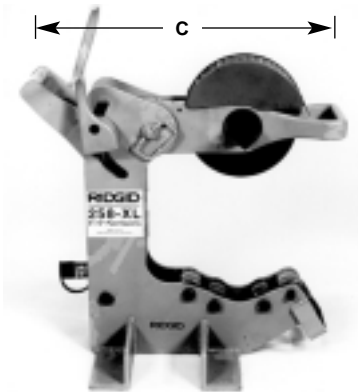


Figura 1A

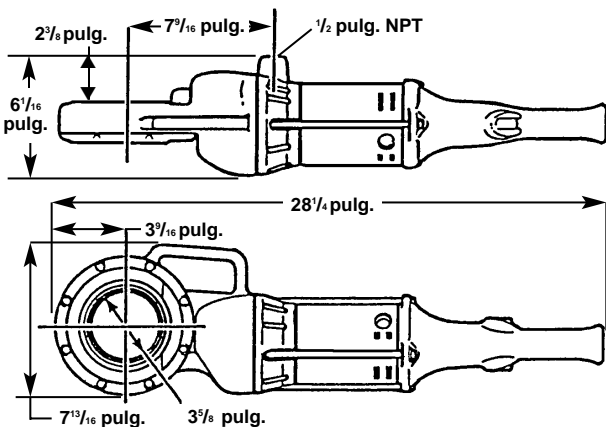


Figura 2 – Dimensiones del Accionamiento motorizado No.700

Accesorios

- Accionamiento motorizado No. 700 (110 ó 220V)
- (2) Portatubos 258PS con cabezales de transferencia a bolas
- Carretilla para el transporte del Modelo 258 ó del 258XL
- Rueda de corte para tubos de pared delgada (series 10 a 20)
- Rodillo para achaflanar (biselar) tubos



Portatubos con cabezal de transferencia a bolas



Rueda de corte



Carretilla de transporte

Instrucciones para el montaje

▲ ADVERTENCIA



Se requiere montar el Cortatubos correctamente para evitar lesiones de gravedad. Deben seguirse los siguientes procedimientos:

1. Conexión de la bomba hidráulica de pie al Cortatubos:
 - a. Introduzca el extremo macho del acoplamiento de conexión rápida en el extremo hembra ubicado en el cilindro hidráulico (Figura 3).
 - b. Debe comprimirse la válvula de seguridad de la bomba de pie para despresurizar el conducto y permitir la inserción del conector rápido.
- ▲ ADVERTENCIA** El Accionamiento motorizado debe asegurarse en el brazo de reacción para que no gire.
2. Conexión del Accionamiento motorizado No. 700 al Cortatubos.
 - a. Introduzca rectamente el Adaptador cuadrado para el accionamiento, con el lado de las acanaladuras primero, en la corona dentada del Accionamiento motorizado hasta que los retenes a resorte del adaptador enganchen por completo (Figura 4).



Figura 3 – Conexión de la bomba de pie hidráulica al Cortatubos

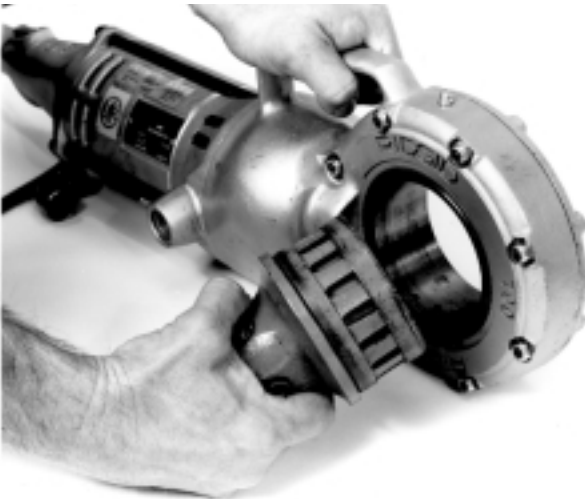


Figura 4 – Instalación del Adaptador de accionamiento No. 774

- b. Coloque el Accionamiento con el adaptador en el Cortatubos. El Accionamiento con el adaptador se conectan en la transmisión cuadrada del Cortatubos. Asegure que el Accionamiento motorizado esté bien asentado en el brazo de reacción ubicado en la parte trasera del Cortatubos (*Figura 5*).
- c. Apriete los dos tornillos de sujeción en el adaptador de accionamiento No. 774 contra la transmisión cuadrada, mediante una llave Allen de $\frac{5}{16}$ pulgada (incluida con el adaptador).

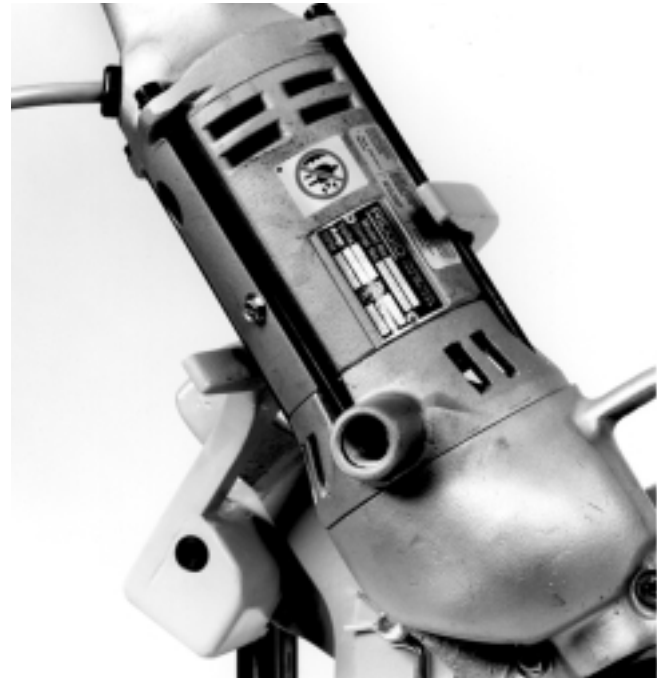


Figura 5 – Coloque el Accionamiento motorizado dentro del brazo de reacción

Revisión del Cortatubos

▲ ADVERTENCIA

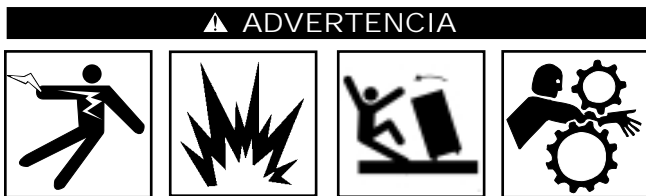


Revise el Cortatubos y el Accionamiento motorizado para evitar lesiones graves. Los siguientes procedimientos de inspección deben realizarse a diario:

1. Asegure que el Accionamiento motorizado esté desenchufado
2. Revise la rueda de corte para asegurar que no está desafilada, curvada o dañada.
3. Verifique que los rodillos en el bastidor del Cortatubos giran libremente bajo el tubo que se corta. Limpie los desechos, las escamas de tubo y la mugre que pueda haber alrededor de los rodillos.
4. Asegure que los cabezales de transferencia a bolas en los portatubos pueden moverse y que no tengan mugre, escamas de tubo o desechos.
5. Asegure que los tres tornillos y arandelas están apretados en el ensamble de la rueda de corte.

6. Verifique el nivel de líquido hidráulico en la bomba de pie. Retraiga el ariete hidráulico por completo y asegure que el líquido llega hasta la marca FULL (lleno).
7. Revise que la cubierta protectora de la rueda de corte esté en su lugar.
8. Inspeccione el cordón eléctrico y el enchufe para comprobar que están en buen estado. Si el enchufe ha sido modificado, no tiene su clavija de conexión a tierra, o el cordón está dañado, no use el Cortatubos hasta cambiar el cordón.
9. Revise el Cortatubos y el Accionamiento motorizado para asegurar que no les falten piezas, que no tengan partes quebradas, desalineadas o agarrotadas, o por si existe cualquiera otra condición que pueda afectar el funcionamiento normal y seguro del equipo. Si detecta en ellos cualquier defecto, no los use hasta que hayan sido reparados.
10. Emplee las herramientas y accesorios fabricados para usarse con este Cortatubos y los indicados para cada tarea. Las herramientas y accesorios correctos permiten efectuar un trabajo satisfactorio y seguro. Los accesorios diseñados para usarse con otros equipos pueden resultar peligrosos si se usan con éste.
11. Limpie el aceite, grasa o mugre de todos los mangos y controles. Así no se resbalan las herramientas o controles de sus manos y disminuye el riesgo de que ocurran lesiones.
 - haya una senda directa hasta la salida de corriente eléctrica, libre de fuentes de calor, aceites, bordes afilados o cortantes o piezas móviles que puedan dañar el cordón eléctrico.
 - haya un lugar seco para situar al operario y la máquina. No use el aparato si trabajará sobre agua.
 - el suelo esté plano y nivelado. No haga funcionar el Cortatubos sobre un banco o superficie elevada.

Preparación del Cortatubos y de la zona de trabajo



Se requiere una adecuada preparación del Cortatubos y de la zona de trabajo para evitar que ocurran lesiones de gravedad. Deben seguirse los siguientes procedimientos para preparar la máquina.

1. Elija una zona de trabajo donde:
 - haya suficiente luz.
 - no estén presentes líquidos, vapores o polvos que puedan prender fuego.
 - exista una salida de corriente eléctrica conectada a tierra.
2. Rodee la zona de trabajo con barreras para dejar un mínimo de tres (3) pies de espacio libre alrededor del Cortatubos y la pieza de trabajo. Esta "zona de seguridad" impedirá que otros se acerquen al aparato o pieza de trabajo. De lo contrario, personas pueden volcar el aparato o engancharse en el tubo en movimiento.
3. Regule el brazo de pivote, que sostiene a la rueda de corte, de acuerdo a la dimensión del tubo que se va a cortar (sólo Modelo 258). El brazo de pivote debe regularse para tubos de 2½ hasta 4 pulgadas o de 6 a 8 pulgadas. Vea las instrucciones en "Procedimientos especiales".
4. Sitúe la bomba detrás del Cortatubos y próxima al Accionamiento motorizado de tal forma que el operario pueda controlar el aparato y la pieza de trabajo con seguridad. Debe permitir que el operario:
 - quede parado frente al tubo.
 - pueda accionar cómodamente el interruptor del Accionamiento motorizado y la bomba de pie.

El aparato fue diseñado para funcionar al mando de una persona.

5. Enchufe el Accionamiento motorizado en el tomacorriente y asegure que el cordón se extienda por la senda despejada elegida con anterioridad. Si el cordón eléctrico no alcanza a la salida de corriente, use un cordón de extensión que se encuentre en buenas condiciones. Asegure que el cordón de suministro esté apartado de la rueda de corte.

ADVERTENCIA Para evitar choques e incendios eléctricos, nunca use un cordón de extensión dañado o que no cumpla con los siguientes requisitos:

- tener un enchufe de tres clavijas similar al que se muestra en la sección Seguridad eléctrica.
- estar clasificado como "W" ó "W-A", si será usado a la intemperie.
- tener el grosor suficiente (14 AWG si mide 25 pies de largo o menos, 12 AWG si mide entre 25 y 50 pies). Si el calibre de los cables es insuficiente, el cordón puede sobrecalentarse y fun-

dirse su material aislante, o prender fuego a objetos cercanos.

▲ ADVERTENCIA Para reducir el riesgo de ocasionar choques eléctricos, mantenga todas las conexiones eléctricas secas y levantadas del suelo. No toque el enchufe con las manos mojadas.

6. Revise el Cortatubos para asegurar que funciona correctamente.
 - Oprima el interruptor y asegure que detiene al aparato cuando usted lo suelta.
 - Oprima el interruptor y manténgalo oprimido. Revise las partes móviles por si están desalineadas o atascadas o por si emiten ruidos extraños, y asegure que no existan otras condiciones inusuales que afecten el normal y seguro funcionamiento del aparato. Si detecta alguna anomalía, lleve el Accionamiento motorizado a componer.
 - Oprima el interruptor en la dirección contraria. Verifique que el Accionamiento motorizado marche en la dirección opuesta.

Empleo de portatubos

CUIDADO

Deben emplearse portatubos para evitar daños a la rueda de corte. Se acorta la vida útil de la rueda de corte si no se soportan los tubos debidamente mientras se cortan.

Los Cortatubos 258 y 258XL se despachan de fábrica con dos Portatubos 258PS con cabezales de transferencia a bolas. Para cortar tubos de más de 18 pulgadas de largo, deben usarse portatubos adicionales.

1. Como se muestra en la *Figura 6*, el Cortatubos y los portatubos deben colocarse de tal forma que la sección del tubo cortado tienda a resbalar alejándose del aparato y la rueda de corte. Si el tubo queda atrapado en la rueda de corte, ésta se dañará.

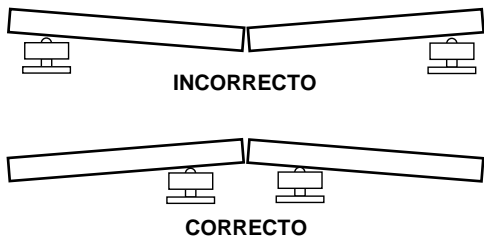


Figura 6 – Posición en que deben colocarse los portatubos para que la sección del tubo no quede apretada contra la rueda de corte

2. La colocación de los portatubos dependerá de la posición del Cortatubos y del largo que tenga el tubo que se cortará. Las *Figuras 7* muestran dónde deben situarse los portatubos.

¡NOTA! El corte de secciones largas de tubo puede requerir cuatro (4) portatubos.

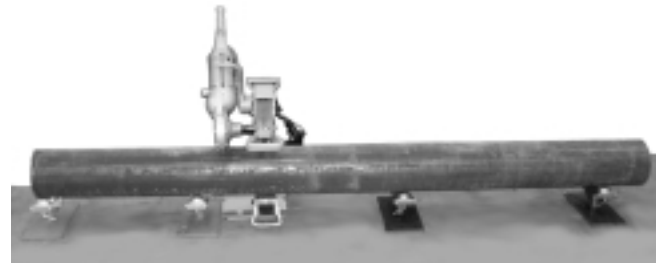


Figura 7A – Tubo largo



Figura 7B – Tubo muy corto

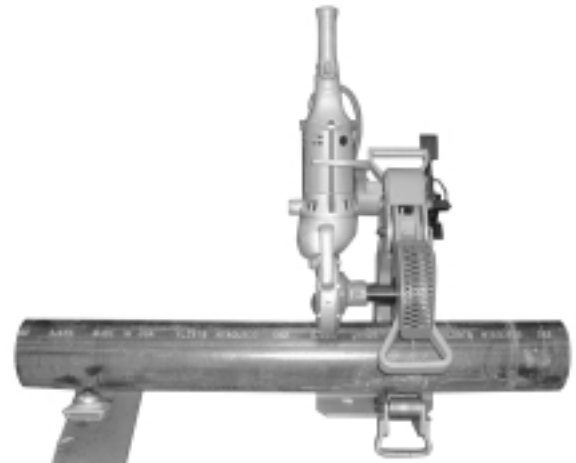
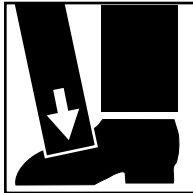


Figura 7C – Tubo corto a medianamente largo

Instrucciones para el funcionamiento

▲ ADVERTENCIA



Mantenga sus dedos y manos apartados de la rueda de corte. No extienda su cuerpo por encima del Cortatubos o el tubo. Mantenga sus manos y pies alejados del tubo mientras lo corta.

El Cortatubos debe usarse con el Accionamiento motorizado 700 de RIDGID. El Accionamiento debe estar debidamente asegurado en el brazo de reacción.

Asegure que el Cortatubos esté colocado en una superficie plana y nivelada y que el tubo esté sostenido por portatubos.

1. Verifique que el tubo esté bien sostenido por los portatubos y que no haga fuerza contra la rueda de corte porque la puede dañar.
2. Marque el tubo donde lo desea cortar, ya sea con tiza o con un lápiz para rotular tubos.
3. Coloque la marca hecha en el tubo justo debajo de la rueda de corte. Verifique que el tubo esté apoyado rectamente en los rodillos del bastidor del Cortatubos. Emplee la bomba de pie para colocar el tubo en ángulo recto con la rueda de corte y evitar que tubo se desalinee o desplace durante el corte (*Figura 8*).



Figura 8 – Posición del tubo en el Cortatubos

IMPORTANTE: Para cortarlo, el tubo debe poder girar libremente.

4. Ubíquese en la posición correcta para trabajar, detrás del tubo. Pise la bomba de pie. Continúe bombeando la bomba de pie para hacer avanzar el brazo de pivote y la rueda de corte hacia el tubo.
5. Una vez que la rueda haya hecho contacto con el tubo, bombee unas dos o tres carreras adicionales. Encienda el Accionamiento motorizado No. 700. El tubo comenzará a girar una vez que la rueda de corte se haya engranado en el tubo.
6. Bombee repetidamente (3 ó 4 veces), para engranar la rueda de corte. Ahora, sin bombear, permita que el tubo dé una o dos revoluciones.
7. Nuevamente bombee la bomba de pie tres o cuatro veces, luego deje que el tubo dé una o dos revoluciones antes de volver a bombear. Siga con este procedimiento hasta que se haya cortado el tubo completamente.

iNOTA! No bombee demasiado enérgicamente porque puede deformar el tubo o dañar la rueda de corte. Antes de bombear con el pie nuevamente, permita que el tubo efectúe por lo menos una revolución.

Corte de tubos de pared delgada

iNOTA! Los Cortatubos 258 y 258XL vienen con una rueda de corte para uso general incluida. Esta rueda de corte es, más que nada, para cortar tubos del Tipo o Serie 40.

▲ CUIDADO ¡No use la rueda de corte delgada para cortar tubos de Serie 40 ó de mayor grosor!

Para tubos de pared delgada (Series 10 a 20) emplee una rueda de corte delgada disponible como accesorio opcional (vea el catálogo para efectuar pedidos).

Una vez instalada la rueda de corte delgada, proceda de la siguiente manera:

- Coloque el tubo sobre los dos portatubos, en ángulo recto con la rueda de corte.
- Bombee la bomba de pie varias veces para bajar la rueda de corte hacia el tubo (no bombee demasiado).
- Bombee dos veces para que la rueda de corte se engrane sobre el tubo.
- Encienda el Accionamiento motorizado No. 700.
- Bombee una vez cada 5 segundos (3 a 4 revoluciones).

▲ ADVERTENCIA No fuerce el Cortatubos. Usted puede lesionarse o dañar la rueda de corte.

- Repita el procedimiento anterior hasta que se haya cortado el tubo.
- Las veces que deba bombear y el tiempo de corte dependerá del diámetro, tipo o serie y material del que está hecho el tubo.

Procedimientos especiales

Regulación del brazo de pivote según el diámetro del tubo
(Modelo 258 solamente)

1. El Cortatubos 258 está estructurado para cortar tubos de entre 2 1/2 hasta 8 pulgadas de diámetro. El brazo de pivote que sostiene a la rueda de corte debe regularse según el tamaño del tubo que se cortará. El Modelo 258 sale de fábrica con el brazo de pivote regulado para cortar tubos de entre 2 1/2 y 4 pulgadas de diámetro. Cambie la regulación original para cortar tubos de 6 a 8 pulgadas, de la siguiente manera:

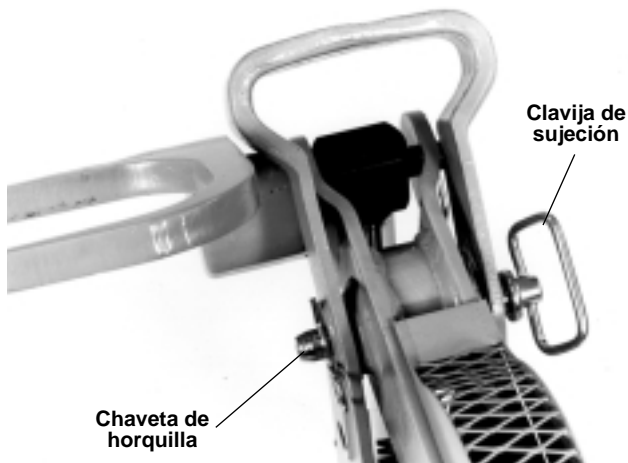


Figura 9 – Extracción de la chaveta de horquilla y la clavija de sujeción

- a. Extraiga la chaveta de horquilla y la clavija de sujeción fuera del brazo de pivote (Figura 9). Mueva el brazo de pivote al agujero marcado (6" - 8") 6 a 8 pulgadas. (CONSEJO: Accione la bomba de pie para elevar el brazo de pivote.) Alinee el agujero en el brazo de pivote con el agujero en el bastidor del Cortatubos, luego inserte la chaveta de horquilla y la clavija de sujeción. Emplee el mango en el extremo delantero del brazo de pivote para cambiar de posición (Figura 10).

¡NOTA! La clavija de sujeción puede insertarse por cualquiera de los dos lados. Sin embargo, es más fácil insertar la clavija de sujeción por el lado contrario al del Accionamiento motorizado.

- b. Repita el mismo procedimiento cuando regule el Cortatubos para cortar tubos de entre 2 1/2 y 4 pulgadas. En este caso, emplee el agujero marcado 2 1/2" - 4" (2 1/2 a 4 pulg.).

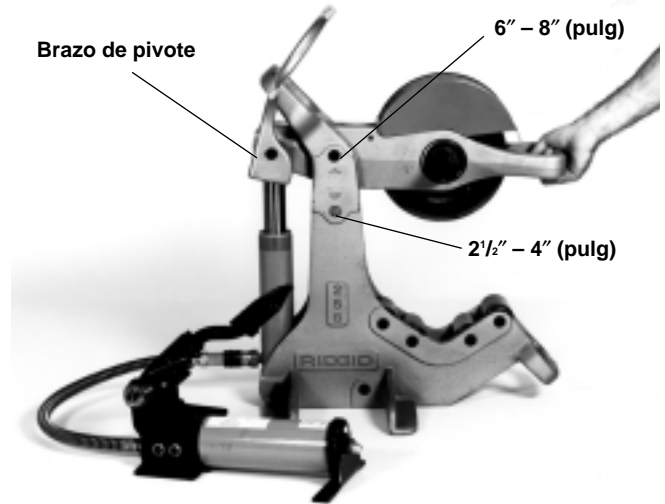


Figura 10 – Regulación del brazo de pivote

Recambio de la rueda de corte

▲ ADVERTENCIA

Desenchufe el cordón de suministro del aparato cuando recambie la rueda de corte o le haga cualquier otro mantenimiento.

1. Para recambiar la rueda de corte:
 - a. Extraiga el adaptador cuadrado No. 774 y el Accionamiento motorizado de la transmisión (cuadrada).
 - b. Ubique la tuerca de seguridad en el lado contrario de la transmisión (cuadrada) (Figura 11). Con una llave mecánica regulable o una de 15/16 pulg., afloje la tuerca y retírela. Extraiga la arandela.



Figura 11 – Extraiga la tuerca de seguridad



Figura 12 – Desmonte el conjunto de la rueda de corte

- c. Mientras sostiene el conjunto de la rueda de corte, extraiga el árbol de transmisión y levante el conjunto de la rueda por encima del brazo de pivote (Figura 12). En caso necesario, golpee levemente el extremo opuesto de la transmisión cuadrada con un martillo o una llave mecánica para desalojar el árbol.



Figura 13 – Conjunto de la rueda de corte

¡NOTA! Si se trata de una rueda de corte compuesta de múltiples piezas, extraiga el cubo de la rueda de corte. Ubique los tres (3) tornillos Allen con arandelas de sujeción y extráigalos con una llave Allen de 1/4 pulg. (viene con el Cortatubos). Saque la cubierta de la rueda de corte para que la rueda quede al descubierto. Recambie la rueda de corte desgastada por una nueva (Figura 12). Reponga la cubierta protectora y apriete los tornillos Allen con la llave Allen.

- d. Vuelva a colocar el conjunto de la rueda de corte o la nueva rueda de corte en el Cortatubos. Alinee el árbol cuadrado de transmisión con el cubo e insértelo hasta que su reborde tope contra el anillo interno del cojinete. Reinstale la arandela y la tuerca de seguridad al otro lado de la transmisión cuadrada. Apriétela hasta que la tuerca toque fondo contra la arandela.

¡NOTA! No apriete demasiado la tuerca de seguridad. Deténgase cuando la tuerca se apoye contra la arandela. Si la tuerca se aprieta demasiado, es posible que disminuya la capacidad de la rueda para girar y deba exigirse más fuerza del Accionamiento motorizado. También puede impedir que la rueda mantenga su trayectoria mientras corta.

- 2. La rueda de corte debe girar libre y fácilmente en ambos sentidos cuando la tuerca de seguridad ha sido apretada correctamente.

Transporte

- 1. Los modelos 258 y 258XL cuentan con asideros en la parte superior trasera y en la inferior delantera del bastidor para su transporte (Figura 14). No use el mango del brazo de pivote para transportar el aparato porque se puede dañar el cilindro hidráulico.
- 2. Con el fin de alivianar el transporte del Cortatubos, desmonte el Accionamiento motorizado No. 700.

▲ ADVERTENCIA

El Cortatubos debe acarreararse entre dos personas para evitar lesiones.

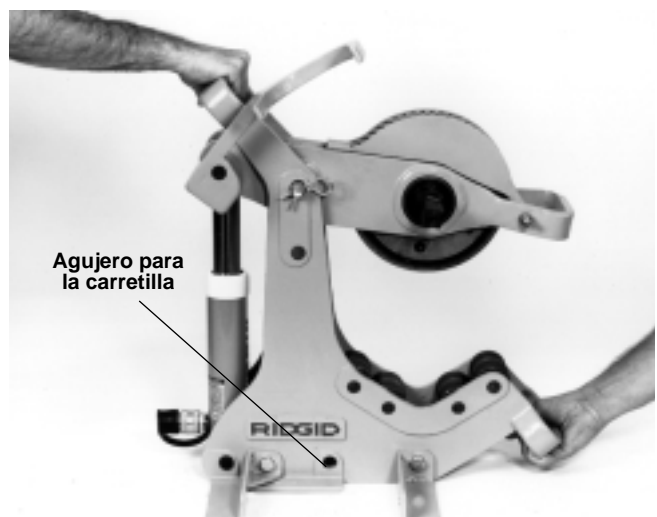


Figura 14 – Asideros para el transporte

Empleo de la carretilla de transporte

Con el fin de facilitar el transporte del aparato, se encuentra disponible como accesorio una carretilla de dos ruedas. Esta carretilla para el transporte (vea el Catálogo RIDGID para pedidos) sirve tanto para el Modelo 258 (2½ a 8 pulg.) como para el 258XL (8 a 12 pulg.). El Cortatubos se monta fácilmente a la carretilla empleando una abrazadera en forma de “J” en el asidero superior del bastidor del aparato y una clavija de sujeción insertada en el agujero correspondiente en el bastidor (Figura 14).

¡NOTA! La carretilla no interfiere con el funcionamiento del Cortatubos y puede permanecer acoplada.

Instrucciones para el mantenimiento

▲ ADVERTENCIA

Cerciórese de que el Cortatubos esté desenchufado de la fuente de suministro eléctrico antes de hacerle ajustes o mantenimiento.

1. Asegure que los rodillos en el bastidor del Cortatubos giran libremente debajo del tubo que se va a cortar. Elimine los desechos, escamas de acero y mugre que puedan tener los rodillos.
2. Asegure que los cabezales de transferencia a bola donde se apoyan los tubos no tengan mugre, escamas metálicas o desechos.
3. Revise que los tres tornillos y arandelas de seguridad estén apretados en el conjunto de la rueda de corte. Revíselos periódicamente.
4. Revise el nivel del líquido hidráulico en la bomba de pie. Estando el ariete totalmente replegado, asegure que el líquido llega hasta la marca de FULL (lleno). Al rellenar, agregue suficiente líquido hidráulico tomando en cuenta la manguera.

▲ CUIDADO Emplee exclusivamente líquido hidráulico de alta calidad cuando reemplace o agregue líquido.

Almacenamiento del aparato

▲ ADVERTENCIA Los equipos o aparatos a motor deben guardarse dentro, bajo techo, o bien cubiertos si quedarán afuera donde les pueda caer lluvia o nieve. Almacene el aparato bajo llave, fuera del alcance de niños o de personas que no conocen su manejo. Este aparato puede causar lesiones graves en manos de usuarios inexpertos.

Servicio de reparaciones

▲ ADVERTENCIA



Las Instrucciones de Mantenimiento abarcan la mayoría de los servicios que necesita este aparato. Cualquier problema que no haya sido tratado en este capítulo debe ser resuelto únicamente por un técnico autorizado de RIDGID.

El aparato debe llevarse a un Servicentro Autorizado Independiente RIDGID o devuelto a la fábrica. Todas las reparaciones efectuadas por un servicentro RIDGID están garantizadas contra defectos en los materiales y de la mano de obra.

▲ ADVERTENCIA Sólo deben usarse piezas de recambio idénticas cuando se le hacen mantenimiento o reparaciones a este aparato. Si no se siguen estas instrucciones, se corre el riesgo de sufrir graves lesiones.

Si tiene cualquier pregunta relativa al mantenimiento o reparación de este aparato, llame o escriba a:

Ridge Tool Company
 Technical Service Department
 400 Clark Street
 Elyria, Ohio 44035-6001
 Teléfono: (800) 519-3456
 E-mail: TechServices@ridgid.com

Para obtener el nombre y la dirección del Servicentro Autorizado más cercano, llame al (800) 519-3456 o visítenos en <http://www.ridgid.com>

Detección de averías

Tabla para la detección de averías

Problema	Causa	Remedio
La bomba de pie no hace avanzar el ariete	Las mangueras están mal conectadas	Asegure que las mangueras entre la bomba y el ariete estén bien sujetas
	Falta líquido hidráulico	Asegure que el nivel del líquido esté en el máximo
	Hay aire en el sistema hidráulico	Purgue el sistema
La rueda de corte no mantiene su trayectoria	El Cortatubos no está sujetando el tubo correctamente	Asegure que el Cortatubos se alinee en ángulo recto con el tubo bombeando varias veces antes de encender el Accionamiento motorizado
	El tubo no está sostenido correctamente	Los tubos cortos deben asentarse en ángulo recto en los rodillos del bastidor del Cortatubos. Los tubos largos deben sostenerse con portatubos para que el Cortatubos se engrane correctamente sobre el tubo
	La rueda de corte no ha sido cargada con dos o tres bombeos de la bomba antes de encender el Accionamiento motorizado 700	Después que la rueda de corte entre en contacto con el tubo, bombee la bomba de pie 2 ó 3 veces antes de poner en marcha el Accionamiento motorizado 700
El tubo no gira	La rueda de corte no ha sido ensamblada correctamente	Asegure que la rueda de corte gira libremente en ambos sentidos (vea las instrucciones)
	El Adaptador cuadrado 774 para el Accionamiento no está completamente insertado en el cabezal de engranajes del Accionamiento 700	El adaptador cuadrado para el accionamiento debe estar completamente insertado, con las ranuras primero, dentro del cabezal de engranajes
	El tubo está ovalado	Asegure que el tubo no tenga zonas planas y que no haya sido aplastado
El motor del Accionamiento 700 no arranca	Interrupción en el suministro de corriente	Verifique que hay suministro de corriente
	Fusible quemado	Instale un fusible
	Las escobillas no tocan el armazón	Revise las escobillas, recambie las escobillas gastadas
Recalentamiento anormal del motor	Sobrecarga debido a un uso prolongado	Después de un uso prolongado, permita que el Accionamiento motorizado se enfríe
	Insuficiente aire refrigerado	Limpie el agujero de entrada de aire en el motor

**What is covered**

RIGID® tools are warranted to be free of defects in workmanship and material.

How long coverage lasts

This warranty lasts for the lifetime of the RIDGID® tool. Warranty coverage ends when the product becomes unusable for reasons other than defects in workmanship or material.

How you can get service

To obtain the benefit of this warranty, deliver via prepaid transportation the complete product to RIDGE TOOL COMPANY, Elyria, Ohio, or any authorized RIDGID® INDEPENDENT SERVICE CENTER. Pipe wrenches and other hand tools should be returned to the place of purchase.

What we will do to correct problems

Warranted products will be repaired or replaced, at RIDGE TOOL'S option, and returned at no charge; or, if after three attempts to repair or replace during the warranty period the product is still defective, you can elect to receive a full refund of your purchase price.

What is not covered

Failures due to misuse, abuse or normal wear and tear are not covered by this warranty. RIDGE TOOL shall not be responsible for any incidental or consequential damages.

How local law relates to the warranty

Some states do not allow the exclusion or limitation of incidental or consequential damages, so the above limitation or exclusion may not apply to you. This warranty gives you specific rights, and you may also have other rights, which vary, from state to state, province to province, or country to country.

No other express warranty applies

This FULL LIFETIME WARRANTY is the sole and exclusive warranty for RIDGID® products. No employee, agent, dealer, or other person is authorized to alter this warranty or make any other warranty on behalf of the RIDGE TOOL COMPANY.

**Ce qui est couvert**

Les outils RIDGE® sont garantis contre tous vices de matériaux et de main d'oeuvre.

Durée de couverture

Cette garantie est applicable durant la vie entière de l'outil RIDGE®. La couverture cesse dès lors que le produit devient inutilisable pour raisons autres que des vices de matériaux ou de main d'oeuvre.

Pour invoquer la garantie

Pour toutes réparations au titre de la garantie, il convient d'expédier le produit complet en port payé à la RIDGE TOOL COMPANY, Elyria, Ohio, ou bien le remettre à un réparateur RIDGID® agréé. Les clés à pipe et autres outils à main doivent être ramenés au lieu d'achat.

Ce que nous ferons pour résoudre le problème

Les produits sous garantie seront à la discrétion de RIDGE TOOL, soit réparés ou remplacés, puis réexpédiés gratuitement ; ou si, après trois tentatives de réparation ou de remplacement durant la période de validité de la garantie le produit s'avère toujours défectueux, vous aurez l'option de demander le remboursement intégral de son prix d'achat.

Ce qui n'est pas couvert

Les défaillances dues au mauvais emploi, à l'abus ou à l'usure normale ne sont pas couvertes par cette garantie. RIDGE TOOL ne sera tenue responsable d'aucuns dommages directs ou indirects.

L'influence de la législation locale sur la garantie

Puisque certaines législations locales interdisent l'exclusion des dommages directs ou indirects, il se peut que la limitation ou exclusion ci-dessus ne vous soit pas applicable. Cette garantie vous donne des droits spécifiques qui peuvent être éventuellement complétés par d'autres droits prévus par votre législation locale.

Il n'existe aucune autre garantie expresse

Cette GARANTIE PERPETUELLE INTEGRALE est la seule et unique garantie couvrant les produits RIDGID®. Aucun employé, agent, distributeur ou tiers n'est autorisé à modifier cette garantie ou à offrir une garantie supplémentaire au nom de la RIDGE TOOL COMPANY.

Ridge Tool Company
400 Clark Street
Elyria, Ohio 44035-6001

**Qué cubre**

Las herramientas RIDGID están garantizadas contra defectos de la mano de obra y de los materiales empleados en su fabricación.

Duración de la cobertura

Esta garantía cubre a la herramienta RIDGID durante toda su vida útil. La cobertura de la garantía caduca cuando el producto se torna inservible por razones distintas a las de defectos en la mano de obra o en los materiales.

Cómo obtener servicio

Para obtener los beneficios de esta garantía, envíe mediante porte pagado, la totalidad del producto a RIDGE TOOL COMPANY, en Elyria, Ohio, o a cualquier Servicentro Independiente RIDGID. Las llaves para tubos y demás herramientas de mano deben devolverse a la tienda donde se adquirieron.

Lo que hacemos para corregir el problema

El producto bajo garantía será reparado o reemplazado por otro, a discreción de RIDGE TOOL, y devuelto sin costo; o, si aún resulta defectuoso después de haber sido reparado o sustituido tres veces durante el periodo de su garantía, Ud. puede optar por recibir un reembolso por el valor total de su compra.

Lo que no está cubierto

Esta garantía no cubre fallas debido al mal uso, abuso o desgaste normal. RIDGE TOOL no se hace responsable de daño incidental o consiguiente alguno.

Relación entre la garantía y las leyes locales

Algunos estados de los EE.UU. no permiten la exclusión o restricción referente a daños incidentales o consiguientes. Por lo tanto, puede que la limitación o restricción mencionada anteriormente no rija para Ud. Esta garantía le otorga derechos específicos, y puede que, además, Ud tenga otros derechos, los cuales varían de estado a estado, provincia a provincia o país a país.

No rige ninguna otra garantía expresa

Esta GARANTIA VITALICIA es la única y exclusiva garantía para los productos RIDGID. Ningún empleado, agente, distribuidor u otra persona está autorizado para modificar esta garantía u ofrecer cualquier otra garantía en nombre de RIDGE TOOL COMPANY.