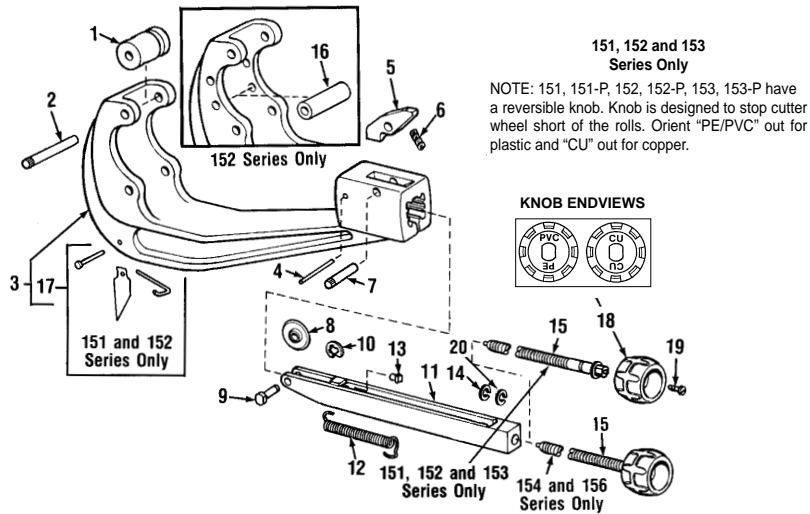


# RIDGID® Tubing and Plastic Pipe Cutters

**Tubing: Nos. 151, 152, 153, 154 and 156**  
**Plastic Tubing and Plastic Pipe: Nos. 151-P, 152-P, 154-P and 156-P**  
**Capacity: 1/4" through 6 5/8" O.D.**



Ref. No.	Description	151 1/4"-1 5/8" O.D.	152 1/4"-2 5/8" O.D.	153 1/4"-3 1/2" O.D.	154 1 7/8"-4 1/2" O.D.	156 4"-6 5/8" O.D.
1	Roller (Large)	32097 (2)	34670 (2)	34670 (2)	32102 (2)	32102 (2)
2	Roller Pin	32107 (2)	32112 (2)	32112 (2)	32117 (2)	32117 (2)
3	Frame	32017	32022	32962	32027	32032
4	Stop Pin	33122	32152	32152	32157	32157
5	Latch	32067	32072	32072	32072	32072
6	Latch Spring	34190	34190	34190	34190	34190
7	Latch Pin	32122	32127	32127	32132	32132
8	Cutter Wheel (Copper)	33185	33185	33185	33170	33170
9	Wheel Pin & Clip	32142	32142	32142	32147	32147
10	Clip	74740	74740	74740	34175	34175
11	Slide	32037	32042	32042	32047	32047
12	Slide Spring	32087	32092	32092	32092	32092
13	Bearing	32077	32082	32082	32082	32082
14	Retaining Ring	32162	32167	32167	32167	32167
15	Feed Screw Assy. (Incl. Ref. #14)	32052	32057	32057	32062	32062
16	Roller (Small)		34665 (2)			
17	Reamer Blade Kit	32172	32172			
18	Reversible Knob (Incl. Ref. #19)	33177	33182	33182		
19	Washer Screw	34750	34750	34750		
	<b>Description</b>	<b>151-P 1/4"-1" O.D.</b>	<b>152-P 1/4"-2" O.D.</b>	<b>153-P 1/4"-3-1/2" O.D.</b>	<b>154-P 1-7/8"-4" O.D.</b>	<b>156-P 4"-6" O.D.</b>
	Cutter Wheel (Plastic)	74720	74720	74720	74730	74735

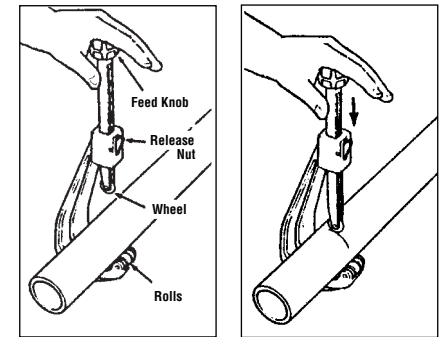
NOTE: 1. All parts for the P-Series Cutters are the same as the Quick-Acting except for those parts listed.  
 2. 151-P and 152-P can cut thin wall PVC and flexible plastic when using the 33200 Cutter Wheel.

# RIDGID® Quick-Acting Tubing Cutter Operating Instructions

1. This Cutter is designed to make clean, accurate cuts of copper, brass, aluminum, steel tubing and plastic pipe (see chart below for correct wheel application).
2. Open Cutter by depressing Release Nut. Place pipe or tube on Rolls. Advance Wheel by pushing Feed Knob toward tube or pipe. Turn Feed Knob clockwise until firm contact is made.
3. **Copper, Other Metallic Tube.** Revolve Cutter around tube and at the end of each revolution turn Feed Knob slightly clockwise (about 1/16 of a turn). Repeat until cut is complete.
4. **PE, PB, PP (Soft) Plastic Pipe.** Advance Cutter Wheel into material 1/2 rotation of Feed Knob. Rotate Cutter two full rotations around pipe. Continue cut as with copper.

## PVC, ABS (Hard) Plastic Pipe.

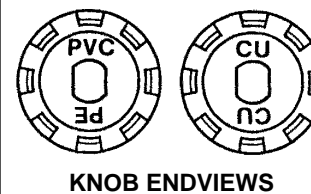
Advance Cutter Wheel into pipe 1/4 rotation of Feed Knob. Rotate Cutter two full rotation around pipe. Continue cut as with copper.



## Cutter Wheels Application Chart For Quick-Acting Cutters

Material	151-(P)	152-(P)	153-(P)	154-(P)	156-(P)
Copper, Brass & Aluminum Tubing	33185 E-3469†	33185 E-3469†	33185 E-3469†	33170 E-2558†	33170 E-2558†
Steel, SS, Tubing	33190 E-4546	33190 E-4546	33190 E-4546	33175 E-2191	33175 E-2191
PE, PP, PB (Soft) Plastic Pipe	74720 E-2155*	74720 E-2155*	74720 E-2155*	74730 E-2156*	74735 E-2157*
PVC, ABS (Hard) Plastic Pipe	33195 E-5272	33195 E-5272	33195 E-5272	33180 E-5299	33180 E-5299
Aluminum Pipe	34695 E-3495	34695 E-3495	34695 E-3495	33170 E-2558	33170 E-2558†

† Std. Wheel \* Std. Wheel (-P) Models See Ridge Tool Catalog for Additional Wheel Options



NOTE: 151, 151-P, 152, 152-P, 153, 153-P Quick Acting Cutters have a reversible knob. Knob is designed to stop cutter wheel short of the rolls. Orient "PE/PVC" outward for plastic or "CU" outward for copper.