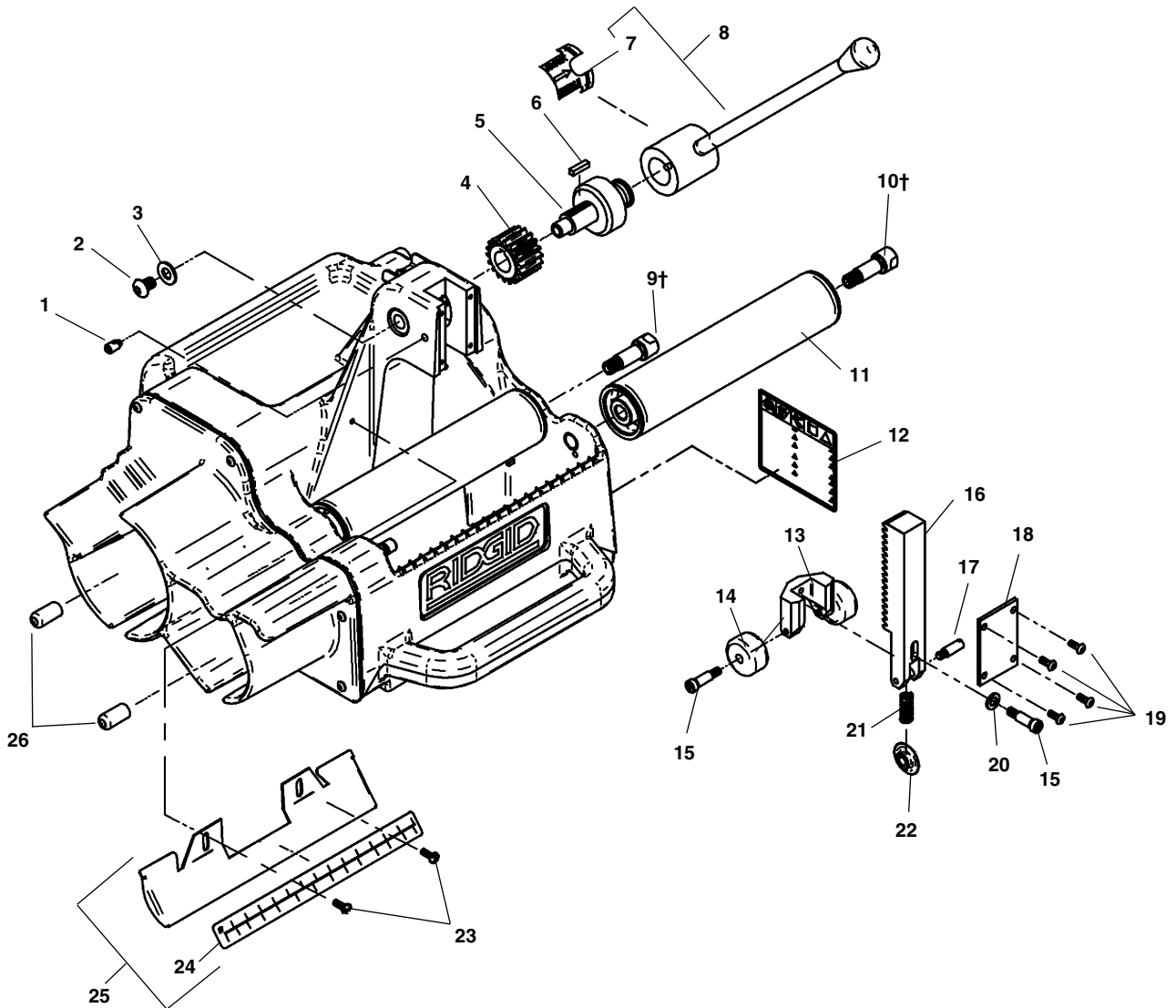


Cutting Components

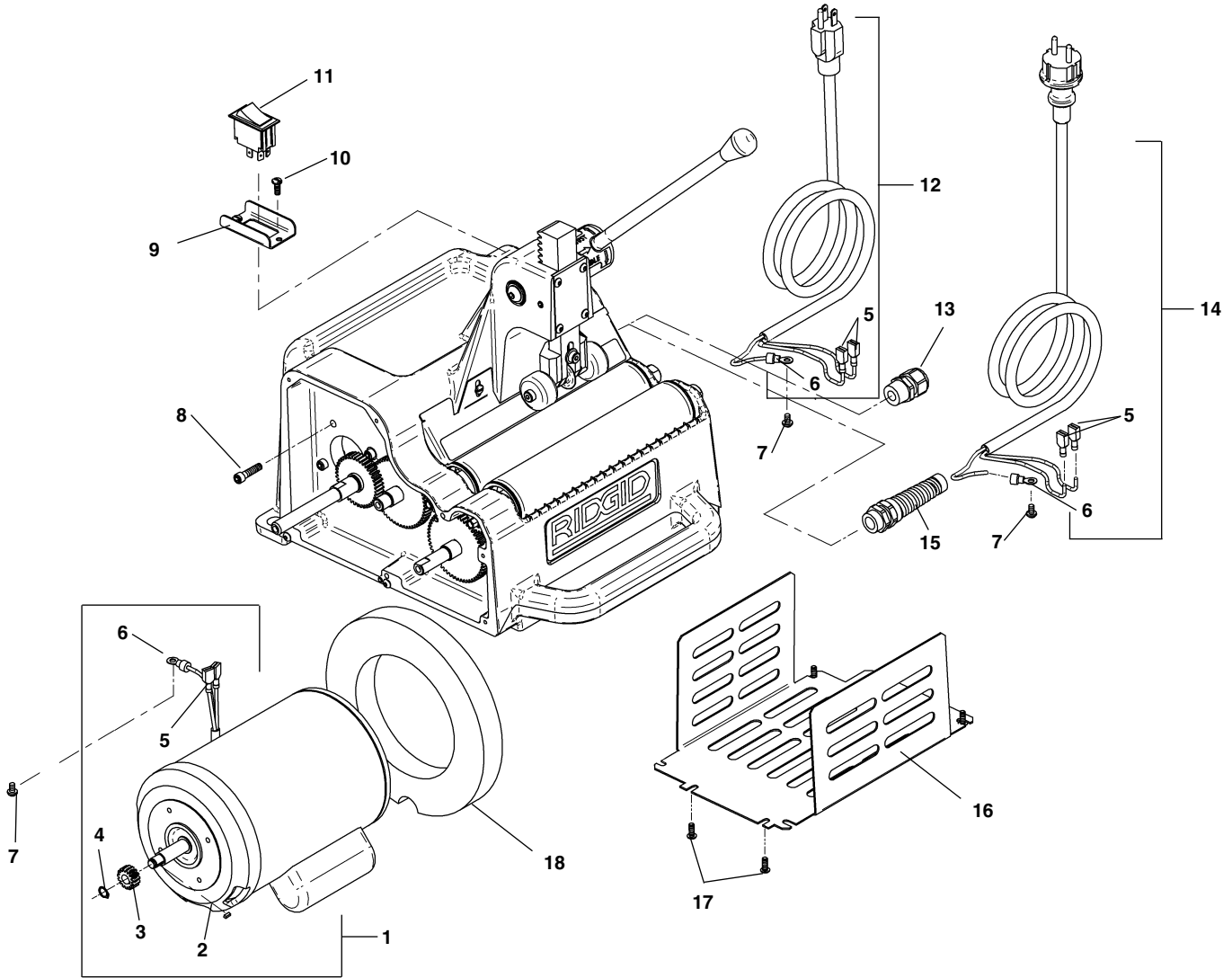


**NOTE: Order parts by Catalog Number only.
DO NOT order by Reference Number.**

| Ref. No. | Catalog No. | Description | Ref. No. | Catalog No. | Description |
|----------|-------------|---|----------|-------------|--|
| 1 | 94877 | Set Screw, Nylon $\frac{5}{16}$ " - 18 x $\frac{1}{2}$ " | 15 | 94922 | Screw, Shoulder $\frac{5}{16}$ " x $\frac{3}{4}$ " (3) |
| 2 | 96915 | Screw, Button Head $\frac{3}{8}$ " - 16 x $\frac{1}{2}$ " | 16 | 94937 | Arbor |
| 3 | 26307 | Washer | 17 | 34360 | Screw f/Cutter Wheel |
| 4 | 94882 | Gear, Arbor | 10343 | 10343 | Screw f/Cutter Wheel (SS) |
| 5 | 94887 | Shaft, Arbor | 18 | 94947 | Cover |
| 6 | 94892 | Key, Square $\frac{3}{16}$ " x $\frac{3}{4}$ " | 19 | 94752 | Screw, Phillips #10 - 24 x $\frac{3}{4}$ " (4) |
| 7 | 10343 | Indexing Label | 20 | 94952 | Washer |
| 8 | 94897 | Handle, Feed | 21 | 94942 | Spring |
| 9† | 94907 | Shaft, L.H. Thread | 22 | 33175 | Cutter Wheel, E-2191 |
| 10† | 94912 | Shaft, L.H. Thread | 33551 | 33551 | Cutter Wheel (SS) |
| 11 | 94902 | Roller Assembly (2) | 23 | 45275 | Screw (2) |
| 12 | 10398 | Warning Label | 24 | 10393 | Scale |
| 13 | 94932 | Slide | 25 | 10388 | Roller Guard |
| 14 | 94927 | Roller (2) | 26 | 10573 | Plastic Cap (2) (Europe Only) |

Service Note: † Left Hand Thread

Electrical



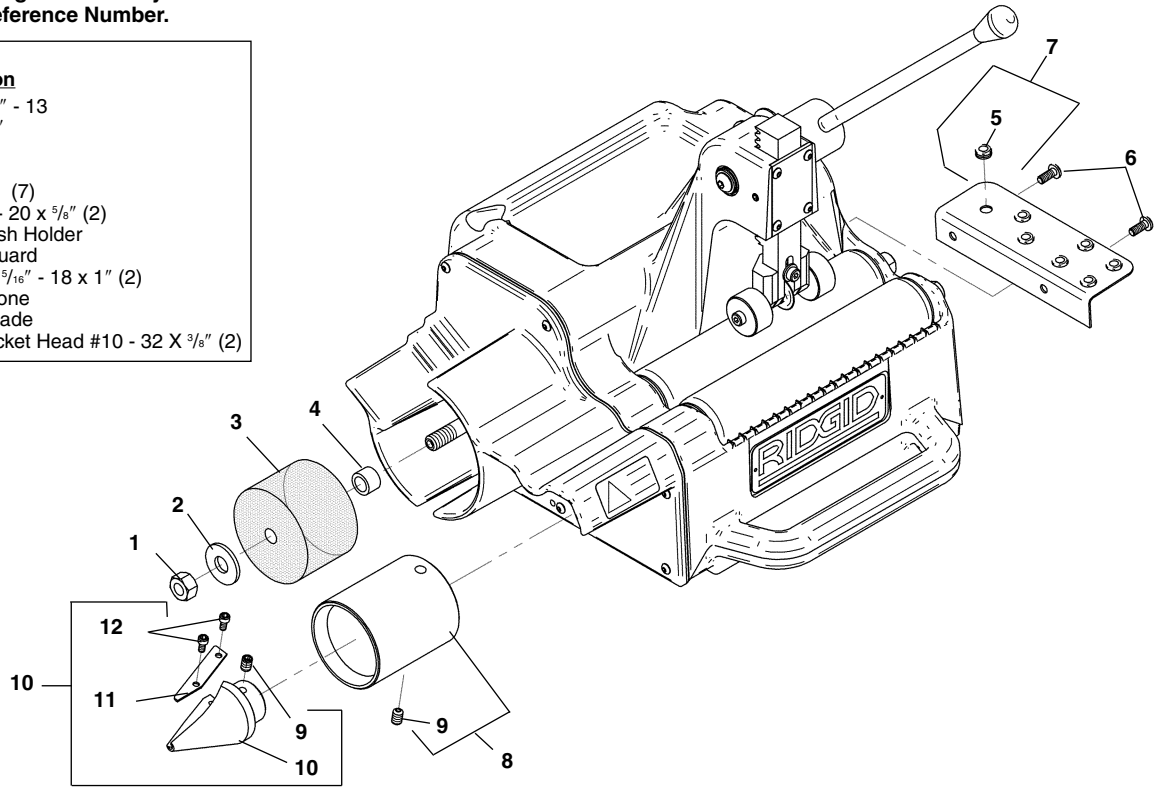
**NOTE: Order parts by Catalog Number only.
DO NOT order by Reference Number.**

| Ref. No. | Catalog No. | Description | Ref. No. | Catalog No. | Description |
|----------|-------------|----------------------------------|----------|-------------|-------------------------------------|
| 1 | 94842 | Motor, 1/3 H.P. - 115V | 10 | 45275 | Screw (2) |
| | 10403 | Motor 220V 50Hz (Europe) | 11 | 58597 | Switch, DPST |
| 2 | 94787 | Key, Square 3/32" x 1/4" | 12 | 69327 | Line Cord 115V |
| 3 | 94847 | Gear | 13 | 69107 | Strain Relief |
| 4 | 94822 | Retaining Ring | 14 | 39562 | Line Cord 220V 50Hz (Europe) |
| 5 | 89190 | Female Disconnect (4) | 15 | 27187 | Strain Relief (Europe) |
| 6 | 58587 | Terminal Ring (2) | 16 | 94862 | Motor Cover |
| 7 | 45420 | Ground Screw #10 - 24 x 3/8" (2) | 17 | 94752 | Screw, Phillips #10 - 24 x 3/4" (4) |
| 8 | 83685 | Screw, Socket Head 1/4" - 20 (4) | 18 | 94667 | Motor Baffle |
| 9 | 10408 | Switch Guard | | | |

Prep Components

**NOTE: Order parts by Catalog Number only.
DO NOT order by Reference Number.**

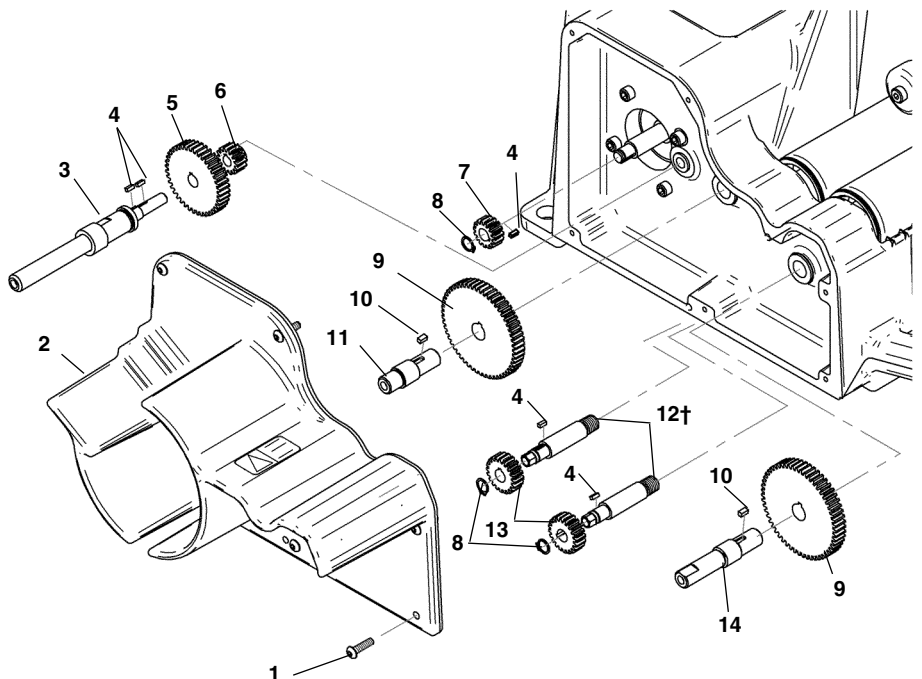
| Ref. No. | Catalog No. | Description |
|----------|-------------|--|
| 1 | 94662 | Hex Nut 1/2" - 13 |
| 2 | 94667 | Washer 1/2" |
| 3 | 94682 | Brush |
| 4 | 94672 | Spacer |
| 5 | 94957 | Gromment (7) |
| 6 | 38940 | Screw 1/4" - 20 x 5/8" (2) |
| 7 | 93712 | Fitting Brush Holder |
| 8 | 94747 | Reamer Guard |
| 9 | 46080 | Set Screw 5/16" - 18 x 1" (2) |
| 10 | 94687 | Reamer Cone |
| 11 | 94692 | Reamer Blade |
| 12 | 46180 | Screw, Socket Head #10 - 32 X 3/8" (2) |



Gearbox

| Ref. No. | Catalog No. | Description |
|----------|-------------|-------------------------------------|
| 1 | 94752 | Screw, Phillips #10-24 x 3/4" (10) |
| 2 | 94647 | Gear Cover |
| 3 | 94782 | Brush, Shaft |
| 4 | 94787 | Key, Square 3/32" x 1/4" (4) |
| 5 | 94792 | Gear, Brush |
| 6 | 94797 | Gear Reduction |
| 7 | 94847 | Gear, Motor |
| 8 | 94822 | Retaining Ring (3) |
| 9 | 94812 | Gear, Reamer (2) |
| 10 | 94807 | Key, Square 1/8" x 1/4" |
| 11 | 94802 | Shaft |
| 12† | 94832 | Shaft, Stub, Driven L.H. Thread (2) |
| 13 | 94827 | Gear, Roller (2) |
| 14 | 94817 | Shaft, Reamer |

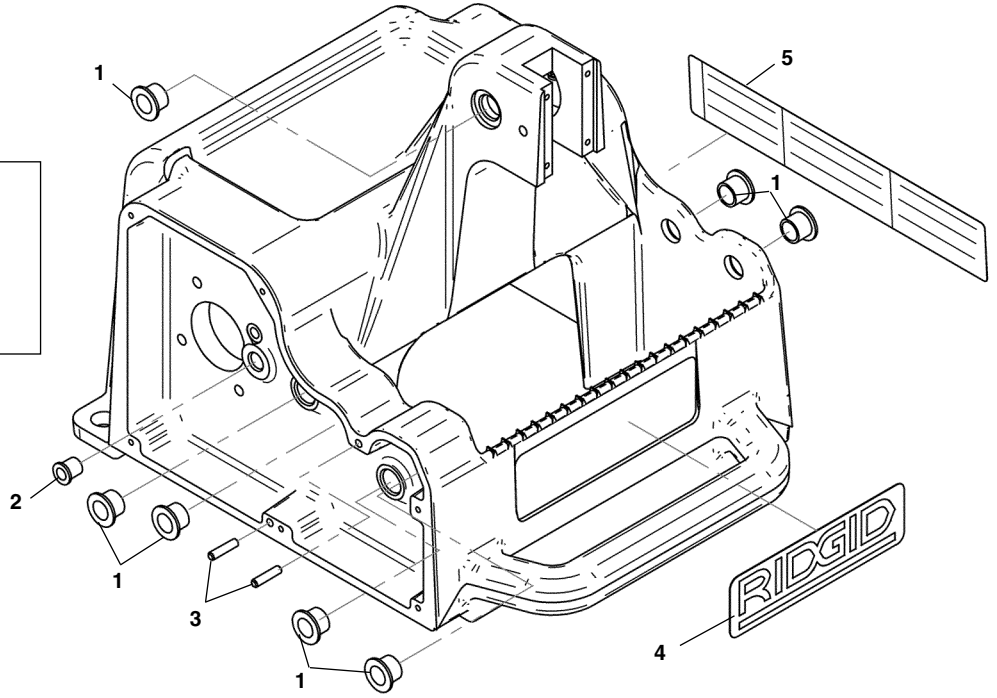
Service Note: † Left Hand Thread



Body

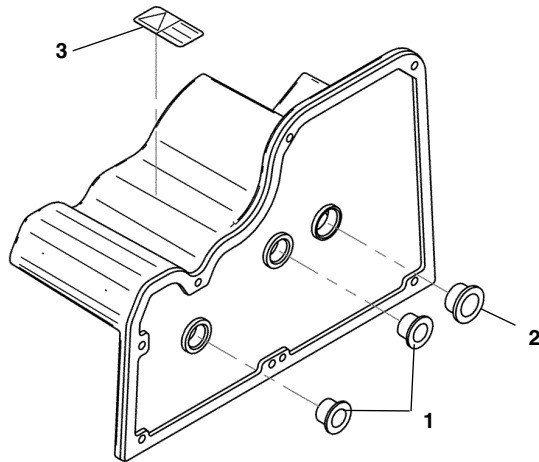
**NOTE: Order parts by Catalog Number only.
DO NOT order by Reference Number.**

| Ref. No. | Catalog No. | Description |
|----------|-------------|---------------------|
| — | 94637 | Frame Assembly |
| 1 | 94642 | Bearing, Flange (7) |
| 2 | 94657 | Bearing, Flange |
| 3 | 45165 | Dowel Pin (2) |
| 4 | 94917 | Plate, RIDGID logo |
| 5 | 95392 | Label, Warning |



Gear Cover

| Ref. No. | Catalog No. | Description |
|----------|-------------|---------------------|
| — | 94647 | Gear Cover |
| 1 | 94642 | Bearing, Flange (2) |
| 2 | 94652 | Bearing, Flange |
| 3 | 94867 | Label, Warning |



Wiring Diagram - Variations

115V – 60Hz
100V – 50/60Hz
(220 – 240V/50Hz)

