

RT3422

Tapping Tool

OPERATOR'S MANUAL

- Pour français voir page 11
- Para ver el castellano vea la página 25



WARNING!

Read this Operator's Manual carefully before using this tool. Failure to understand and follow the contents of this manual may result in extensive property damage and/or serious personal injury.

RIDGID®

Table of Contents

General Safety Information

Work Area Safety	2
Personal Safety	2
Tool Use and Care	2
Service	2

Specific Safety Information

Operator Training	2
Tapping Tool Safety	3

Description, Specifications and Equipment

Description	3
Specifications	4
Standard Equipment	4

Operating Instructions

Valve Adapter Selection	5
Tapping Tool Assembly Flow Chart	5
RIDGID Tapping Tool Cutter Selection Chart	7
Tapping Into the Main	9

Maintenance

Cleaning and Maintaining the RT3422	10
Tool Disassembly Procedure	10
Part Cleaning Procedure	11
Tool Assembly Procedure	11

Service and Repair

.....	12
-------	----

Worksheet

.....	13
-------	----

Lifetime Warranty

.....	Back Cover
-------	------------



RT3422 Tapping Tool



General Safety Information

WARNING! Read and understand all instructions. Failure to follow all instructions listed below may result in property damage and/or serious personal injury.

SAVE THESE INSTRUCTIONS!

Work Area Safety

- **Keep your work area clean and well lit.** Cluttered work area invites accidents.
- **Keep bystanders, children, and visitors away while operating a tapping tool.** Distraction can result in improperly using the tool.

Personal Safety

- **Stay alert, watch what you are doing and use common sense when operating a tapping tool. Do not use tool while tired or under the influence of drugs, alcohol, or medications.** A moment of inattention while operating tools may result in serious personal injury.
- **Dress properly. Do not wear loose clothing or jewelry. Contain long hair.** Keep your hair, clothing, and gloves away from moving parts. Loose clothes, jewelry, or long hair can be caught in moving parts.
- **Do not over-reach. Keep proper footing and balance at all times.** Proper footing and balance enables better control of the tool in unexpected situations.
- **Use safety equipment. Always wear eye protection.** Dust mask, non-skid safety shoes, hard hat, or hearing protection must be used for appropriate conditions.

Tool Use and Care

- **Do not force tool. Use the correct tool for your application.** The correct tool will do the job better and safer at the rate for which it is designed.
- **Store idle tools out of the reach of children and other untrained persons.** Tools are dangerous in the hands of untrained users.
- **Maintain tools with care. Keep cutting tools sharp and clean.** Properly maintained tools with sharp cutting edges are less likely to bind and are easier to control.
- **Check for misalignment or binding of moving parts, breakage of parts, and any other condition that may affect the tools operation. If damaged, have the tool serviced before using.** Many accidents are caused by poorly maintained tools.

- **Use only accessories that are recommended by the manufacturer for your model.** Accessories that may be suitable for one tool may become hazardous when used on another tool.
- **Keep handles dry and clean; free from oil and grease.** Allows for better control of the tool.

Service

- **Tool service must be performed by qualified repair personnel.** Service or maintenance performed by unqualified repair personnel could result in injury.
- **When servicing a tool, use only identical replacement parts. Follow instructions in the Maintenance Section of this manual.** Use of unauthorized parts or failure to follow maintenance instructions may create a risk of injury.

Specific Safety Information

▲ WARNING

Read and follow safety labels on the tool! Know the function of all parts before using this tapping tool.

Operator Training

▲ WARNING

Cutting into pipe containing liquids or gases under pressure is potentially hazardous. Correct procedures must be followed in the use of this equipment to maintain a safe working environment and prevent serious personal injury.

No person should use this tool who is not fully trained in the proper operating procedure and who is not fully aware of the potential hazards connected with work on pipe containing liquids or gases under pressure.

The purchaser of this equipment is responsible for how this equipment is used and the training and competence of the operators.

Should any difficulty arise at any time in the use of this equipment, please contact Ridge Tool immediately!

▲ WARNING



- Read operators manual. Operator must be properly trained before using tool.
- Wear eye protection.
- Do not exceed pressure and temperature ratings of the tool and any attachment, valve or fitting. Only tap into lines that contain specified media.

Model RT 3422 Tapping Tool

Water: 500 psig @ 100°F (40°C)

Air, Steam, Natural Gas: 150 psig @ 370° F (172°C)

Tapping Tool Safety

1. **Only trained personnel should use this tapping tool.** Incorrect use of this tool can result in serious personal injury, environmental damage, and/or property damage.
2. **Always wear eye protection.** Cutters and drills are hard and can shatter.
3. **Do not exceed recommended pressure ratings.** Attempting to tap into main with pressures beyond the maximum limits of this tool or a fitting may result in their failure.
4. **Only tap into pressurized mains that carry water, air, steam or natural gas.** Other media may attack the seals of this tool.
5. **When using power tools to drive this tapping tool, understand and follow all the safety instructions associated with that power tool.** Air power ratchets are generally a safer choice due to the inherent explosion and shock hazards associated with electrical tools.
 - **Electrical tools should not be used for natural gas taps. Only use air or manual ratchets.** Electrical tools cause sparks which may ignite the gas.
 - **Grounded electrical tools should be plugged into a properly grounded outlet.** If tool should electrically malfunction or breakdown, grounding provides a low resistance path to send electricity away from the user.
 - **Electrical tools should be plugged into an outlet**

protected with a Ground Fault Circuit Interrupter (GFCI). Reduces risk of electrical shock.

6. **Use only right angle electrical drills or air ratchets to rotate the cutter. Tool must be fed at a controlled rate.** Failure to use a right angle drive or to carefully control the tool feed rate may result in the cutter suddenly stopping which will cause the power tool driver to suddenly twist.
7. **Main being tapped must be securely mounted to prevent any movement.** Movement could cause tool breakage during the tapping operation.
8. **Follow all applicable regulations and safety precautions regarding the work area.**
 - **When working below grade, have an adequate escape route before starting the tap.** Such precautions reduce the risk of injury.
 - **When working on a scaffold or lift, the operator, tool, and drive assembly should all be properly secured.** Will prevent injury in the event of a fall or dropping a tool.
9. **Vent pressure bleed valve away from work area and personnel. When working over equipment or personnel, use a hose attachment on the bleeder valve to control fluid discharge.** Discharge directed at personnel could result in serious injury.
10. **Do not use this tool to support the operator.** Could result in tool breakage or malfunction.
11. **Tool is made to tap into pressurized lines. Follow instructions in operator’s manual on tool uses.** Other uses may increase the risk of injury

NOTE! Keep this manual in the pocket provided in the toolbox.

Description, Specifications, and Equipment

Description

The Model RT3422 Tapping Tool is designed to perform pressurized taps using a saddle-mounted valve or welded nipple on steel, plastic, ductile iron and cast iron pipe. It is capable of tapping water lines under pressure up to 500 psi and steam, air, and natural gas mains up to 150 psi. Weighing only 18 lbs, the Model RT3422 can produce 3/4” – 2” taps fast and easy. The cutter is rotated by an 11/16” hand ratchet or can be operated by an air ratchet or right angle drill if desired. A self cleaning acme threaded barrel permits easy feeding of the cutter into the pipe and resists the force of the pressurized pipe when the cut is made.

Specifications

Tapping Capacity3/4 – 2"

Mounting.....Saddle mount, welded nipple, Weld-O-Let™, Thread-O-Let™

Cutter Travel.....14" max.

ActuationHand ratchet, air ratchet, or right angle drill

Type of PipeSteel, plastic, ductile iron, cast iron

Cutter FeedRotation of sleeve around threaded acme barrel

PressuresWater: 500 psig @ 100 F
Steam, air, natural gas: 150 psi @ 370° F

Weight17 lbs. for tool and ratchet only

Standard Equipment

RT3422 Machine only ...Tool body with bleed valve

RT3422 3/4" – 1" Set ...Tool body with bleed valve
Tool box
Ratchet wrench
Small shaft extension
Small hole saw arbor
3/4" and 1" valve adapters
2 spud wrenches

RT3422 3/4" – 2" Set ...Tool body with bleed valve
Tool box
Ratchet wrench
Small shaft extension
Large shaft extension
Small hole saw arbor
Large hole saw arbor
3/4", 1", 1 1/4", 1 1/2", 2" valve adapters
2 spud wrenches

Operating Instructions

1. Determine exactly which pipe needs to be tapped into. Follow the pipe as far as possible to ensure that it is indeed the pipe that requires tapping and record the media (what is in the pipe) and the pressure on a copy of the worksheet at the back of this manual.
2. Determine exactly where the pipe needs to be tapped. Consider not only the best route for the new line but also the effect that any chips from the tapping operation could have on downstream equipment. Consider

the orientation of the tap, tapping the top of the pipe may drop chips into the tapped pipe whereas tapping the bottom of the pipe will tend to drop the chips back into the tool. Use of the "Bleed Valve Assembly" will tend to wash away most of the chips if open during the entire drilling operation.

3. Determine whether a service saddle or a weld-in-place Thread-O-Let™ or Weld-O-Let™ will be used to mount the valve to the main. Consider the advantages and disadvantages of each type. Record this connection data on the worksheet at the back of this manual.

The Thread-O-Let™ or Weld-O-Let™ can only be welded to a compatible metal pipe and may have a maximum pressure rating, however the weld integrity to the pipe is virtually impossible to certify without x-rays. The media in the pipe may adversely affect weld penetration due to chilling or worse, the weld may penetrate far enough into the pipe to allow the pressure in the pipe to blow through the hot, molten weld puddle. A service saddle can be used on any type of pipe that has a compatible outside diameter. Service saddles have a known pressure rating, however if for some reason the integrity of the strap hardware should fail this type of joint can fail as well.

4. Select which "corporation stop" or valve is to be used. (A corporation stop is a valve with a square lug for a wrench instead of a hand wheel to open and close the valve. This is to ensure that the valve is not operated inadvertently or by unauthorized personnel.) Just about any valve that has an adequate pressure rating, made of a material compatible with the media, is short enough and opens in a manner that will allow the cutter to completely pass through it unhindered may be used. **Only a full port ball, plug or gate valve will work. Check to be sure the cutter will pass through the valve before mounting the valve and tool.** If it does not fit another brand or type of valve may be required.
5. Assemble the tool for use and determine the feasibility of the tapping operation. This is to confirm whether the planned configuration will allow enough stroke to complete the tap or if the configuration could allow the over-penetration of the far side of the pipe. Select the correct valve adapter, pilot drill, extension, and saw adapter from the following Valve Adapter Selection chart. The Flow Chart will assist the operator in determining the required equipment to perform the tap.

Valve Adapter Selection										
Valve Size	Bore Size	CTS Adapter	NPT Female Adapter	NPT Male Adapter	BSPT Female Adapter	BSPT Male Adapter	Pilot Size	Extension	Saw Adapter	Remarks
3/4"	0.625	76057	76087	76132	76177	76222	0.250	76047	76037	Preferred Configuration
	0.688									
1"	0.750	76067	76092	76137	76182	76227	0.250	76047	76037	Preferred Configuration
	0.813									
	0.875									
	0.938									
1-1/4"	1.000	76072	76097	76142	76187	76232	0.250	76047	76037	Preferred Configuration
	1.063									
	1.125									
	1.188									
1-1/2"	1.250	76077	76102	76147	76192	76237	0.375	76052	— 76042	Special Saw Adapter Special Saw Adapter Preferred Configuration
	1.313									
	1.375									
	1.438									
2"	1.500	76082	76107	76152	76197	76242	0.375	76052	76042	Preferred Configuration
	1.563									
	1.625									
	1.688									
	1.750									
	1.813									
	1.875									

Tapping Tool Assembly Flow Chart

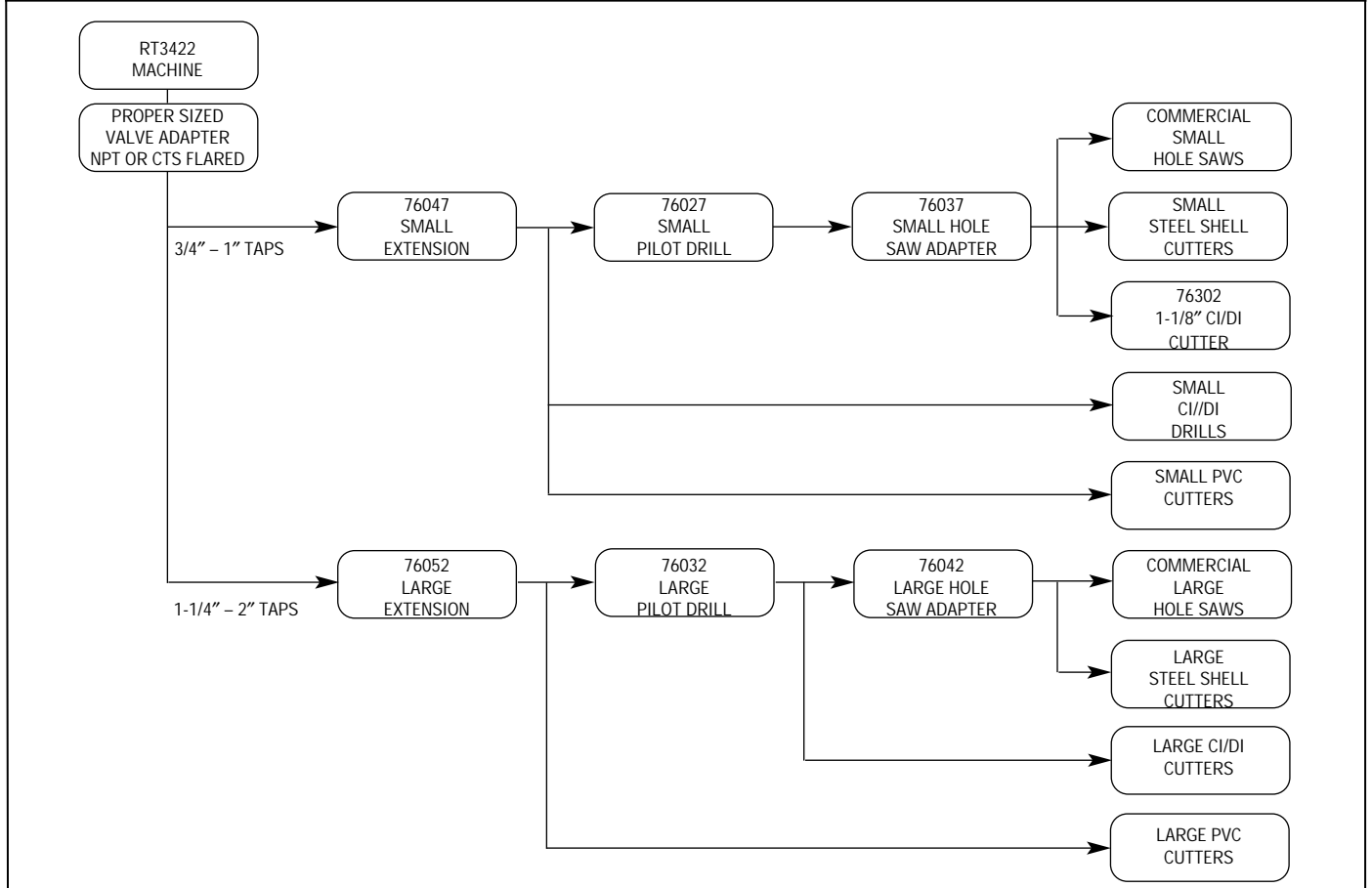




Figure 1 – Installation of extension



Figure 2 – Installation of valve adapter

- a) Having ensured that the tool is in the shortest, collapsed, position and having selected the proper size extension, hold the spindle by the flats at the end and screw the extension into the end of the spindle. This only has to be hand tight as the threads will be tightened by the operation of the tool (*Figure 1*).
- b) Inspect the “o-ring” seal in the valve adapter (replace if damaged) and holding the bronze feed screw by the flats, assemble the valve adapter onto the bronze feed screw. This should be done by hand as the operator will feel first the seal engaging and then feel the adapter reach an abrupt stop as the bronze feed screw “bottoms out” in the valve adapter (*Figure 2*).
- c) Select the cutter to be used for this particular operation from the chart on the next page. Note that the pilot drill and hole saw adapter may not be required depending on the actual cutter selected. If the selected cutter requires a hole saw adapter, screw it into the end of the extension. CI/DI and PVC cutters do not require use of hole saw arbor. As before, this only has to be hand tight (*Figures 3 and 3a*).



Figure 3 – Installation of small hole saw adapter



Figure 3a – Installation of large hole saw adapter

- d) Inspect the selected cutter to be used for this particular operation to ensure that it is in good working order and screw it into the hole saw arbor if present or directly into the extension as required. As before, this only has to be hand tight (*Figures 4 and 4a*).



Figure 4 – Installation of cutter on small hole saw arbor



Figure 4a – Installation of cutter on large hole saw arbor

RIDGID Tapping Tool Cutter Selection Chart					
Bore Size	Fractional Size	Ridgid Bi-Metal <i>(Power Operation Only)</i>	RIDGID Steel <i>(Manual Operation Only)</i>	RIDGID CI/DI Cutters <i>(Power or Man-Operation Only)</i>	RIDGID PVC Cutters <i>(Manual Operation Only)</i>
0.625	5/8	R10	76267	76292	76317
0.688	11/16	R11			
0.750	3/4	R12			
0.813	13/16	R13			
0.875	7/8	R14	76272	76297	76322
0.938	15/16	R15			
1.000	1	R16			
1.063	1-1/16	R17			
1.125	1-1/8	R18	76277	76302	76327
1.188	1-3/16	R19			
1.250	1-1/4	R20			
1.313	1-5/16	R21			
1.375	1-3/8	R22	76282	76307	76332
1.438	1-7/16	R23			
1.500	1-1/2	R24			
1.563	1-9/16	R25			
1.625	1-5/8	R26			
1.688	1-11/16	R27			
1.750	1-3/4	R28	76287	76312	76337
1.813	1-13/16	R29			
1.875	1-7/8	R30			

e) Inspect the selected pilot drill for this particular operation to ensure that it is in good working order. Pay particular attention to the coupon retaining device as coupon may not be retrieved if this device is damaged. Insert this pilot drill into the hole saw adapter if present or directly into the cutter as required. Secure the pilot drill in place with the set screw positioned on the flat of the pilot and firmly tighten (Figure 5).



Figure 5 – Installation of pilot drill

f) Measure the distance from a point such as the wrench flats on the feed screw to the end of the sleeve. In Figure 6 below it is 1”.

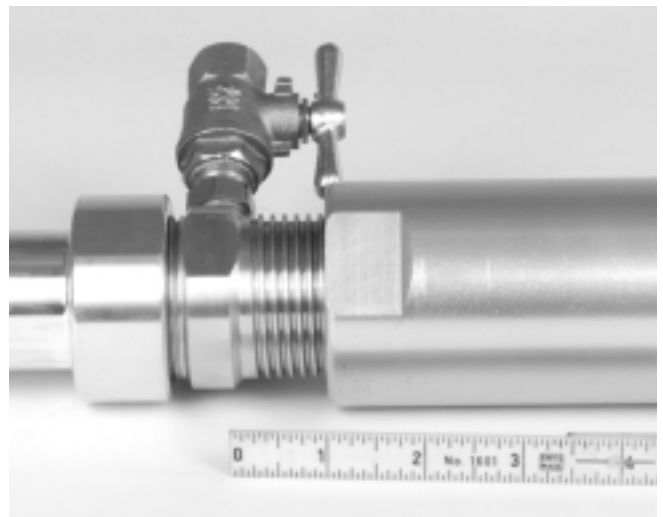


Figure 6 – Measuring 1” offset

- g) Unscrew the sleeve back up the bronze feed screw. (i.e. Looking along the length of the tool from cap end towards the drill end, the sleeve turns counter-clockwise to extend the tool). Turn the sleeve all the way until it stops. Again measure the distance from a point such as the wrench flats on the feed screw to the end of the sleeve. In *Figure 7* it is 15". Subtract the distance from the previous step (h) from this distance. The result is 14" full stroke. Note that the stroke distance may be affected by various valve adapter / cutter combinations. Record the stroke in the worksheet provided on *page 13*.



Figure 7 – Measuring full stroke distance

- h) Attach the selected service saddle to the main in accordance with the manufacturer's specifications, or weld the selected threadolet or weldolet to the main in accordance with all applicable welding standards.
- i) Apply pipe sealant to the threads on the "corporation stop" or valve and tightly thread it into the saddle or Thread-O-Let™ to assure a leak proof assembly. Ensure that the valve is in the **CLOSED** position.
- j) Measure the distance from the surface of the pipe to the outlet end of the valve as shown in *Figure 8 & 9*. This is the minimum amount of stroke required before the cutter makes contact with the pipe to be drilled into. (In the illustrated example this is 4½".) Record this dimension in the worksheet provided. If this distance is within 1 inch of the stroke distance from step (g) then the machine may not have enough travel to safely complete the tap and this operation must be aborted and reconfigured for a different valve and/or saddle.
- k) Measure the distance from the far surface of the pipe to the outlet end of the valve as shown in *Figure 10*. This is the maximum amount of stroke required

before breaking through the far side of the pipe to be drilled into. (In the illustrated example this is 10½".) Record this dimension in the worksheet provided. If this distance is less than the stroke distance from step (g) then the machine has enough travel to penetrate the far side of the pipe. This is true in the illustrated case. Therefore, this operation must be carefully executed to avoid problems.



Figure 8 – Measuring valve standoff distance



Figure 9 – Measuring valve standoff distance

- l) Calculate the ideal distance to penetrate in order to stop at the centerline of the pipe. Add the valve standoff distance from step (j) to the maximum stroke from step (k) and divide the result by 2. (In the example illustrated this is 10½" plus 4½" which gives 15", then divided by 2 yields 7½" ideal penetration.
- m) Subtract the ideal penetration distance from the full stroke in step (g). (In the example illustrated this is 14" total stroke minus 7½" required stroke which equals 6½" remaining unusable stroke.)

WARNING

Improper measurements may result in tapping through bottom of pipe.



Figure 10 – Measuring maximum stroke

Tapping into the Main

- 1. If the bleed valve assembly is not going to be used, ensure that the bleed-off valve is closed or a 3/8" plug is installed. Use pipe sealant to seal the threads on the bleed valve and plug.
- 2. Attach the fully assembled and fully extended tapping tool to the outlet thread of the valve by screwing on the valve adapter (Figure 11). Pipe sealant is required for NPT and BSPT valve adapters in the temporary assembly between the valve and the valve adapter and it should be firmly tightened so as not to leak. The

connection of the valve adapter to the valve when using CTS (Copper Tube Size – flared or compression) adapters does not require pipe sealant but must have the appropriate gasket in place and be in good working condition.

- 3. Open, close and re-open the valve or the “corporation stop”, this is to ensure that the pilot drill does not interfere with the operation of the valve. In the event of interference in closing the valve, another valve must be substituted and this whole procedure must be re-started.

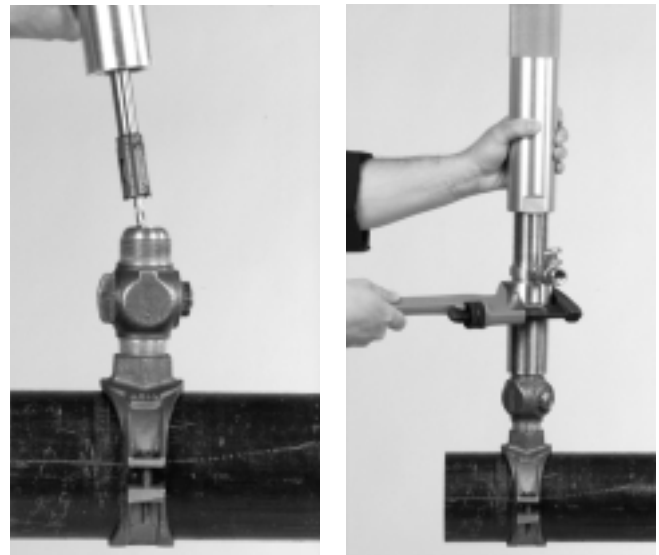


Figure 11 – Attaching tool to valve

- 4. If the bleed off valve is to be used, a hose may be connected to it to help direct the discharge. Remember to restrain the free end of the hose to control the direction of the discharge. Note that this discharge is the same as the media in the pipe.

WARNING!

Be sure no one is standing in line of the discharge from the bleed valve in the event of accidental opening of the valve. Pressures may be very high and can result in serious injury.

- 5. Turn the sleeve clockwise until the cutter comes into light contact with the main, and back the sleeve up one turn. Using the ratchet wrench, or a power tool, rotate the drive shaft at the 11/16" hex while continually applying pressure by turning the sleeve. Do not apply too much pressure on the cutter and pipe with the feed screw. Gentle light pressure applied with the feed will produce superior cutting characteristics (Figure 12).

WARNING!

Excessive feeding of the cutter may result in high torque feedback to the operator and could wrench or injure arm.

Continue to drill through the main until no resistance is felt when advancing the feed. Stop immediately if only the “remaining unusable stroke” remains to be used. Continuing past this point could cause penetration through the far side of the pipe.

WARNING!

DO NOT tap through the bottom of the pipe.

6. The drilling into the pipe is now complete. The valve and saddle as well as the tool are now filled with the media in the pipe. Turn the sleeve counter-clockwise until all the threads of the bronze feed screw are exposed and the sleeve comes to a halt. This action has fully retracted the cutter and the coupon. Close the corporation stop or valve. Should it be difficult to close the valve (due to chips from the drilling operation), attach a hose to the bleed valve assembly if it is not already there and open the bleed valve to “wash” away as many chips as possible. Then rock the valve open and closed until it can be completely shut-off. It is vital that the valve is closed before proceeding. If the bleed valve assembly is in use it may be closed as well and the hose removed. Note that this hose will contain residue of the same media that is in the pipe.
7. Remove the ratchet or power tool from the hex on the drive shaft. Place a wrench on the valve to prevent it from disconnecting as the valve adapter is unscrewed from the valve with another wrench. Be prepared for the tool to suddenly come free and for it to spill out any media it contains. If the drilled pipe was dry, be aware that the cutter may be hot.
8. The new plumbing may now be attached to the outlet end of the valve. After that, all that is required is to open the valve to activate the newly installed system.
9. To remove the coupon from the cutter, turn the sleeve clock-wise until the cutter is exposed. Shell cutters have a hole or slot to allow the coupon to be pushed out. Remove the cutter if required, in order to make coupon removal easier. If using a coupon retaining pilot bit, squeeze the spring retainer to allow the coupon to slide off. After completing all taps of this configuration, continue to step 10. If more taps are needed, reinstall the cutter and start again from step 1.
10. Remove the valve adapter, drill or cutter, pilot drill (if

used), saw adapter (if used) and extension from the tool. Turn the sleeve clockwise until all the threads of the bronze feed screw are hidden and the tool is fully collapsed. Simply wipe all the components until clean and dry and store them in the toolbox.



Figure 12 – Pivot of hand on ratchet and other hand on tool

Maintenance

Cleaning and Maintaining the RT3422

This procedure should only be conducted by a qualified service technician.

Tool Disassembly Procedure

1. Turn the sleeve clockwise until all the threads of the bronze feed screw are hidden and the tool is fully collapsed. Place the tool horizontally on a table so parts do not fall out.
2. Locate and remove the setscrew from the side of the red cap.

3. Locate and remove the retaining ring and washer from the end of the red cap.
4. Unscrew and remove the red end cap. Note that any media that has escaped the seal will collect under this cap and may be spilled at this time. Do not remove the "maintenance free" sealed bearing from the end cap unless bearing replacement is intended. If the bearing must be removed use two 7/64" diameter pins of equal length to slowly press the bearing out. Using a hammer to do this will damage the precision recess in the end cap for the bearing.
5. Locate the seal cap and remove the two locking set-screws and then unscrew and remove the seal cap itself. Remove the seal ring from inside the end of the bronze feed screw just exposed. Remove the two graphite seals from the same place. If the graphite seals are damaged or worn discard them and replace two new seals. Typically, seals should be replaced after every 20 taps or every 6 months, whichever comes first.
6. Push the spindle from the hex end and remove it from the opposite end of the tool. Turn the sleeve counter-clockwise until all the threads of the bronze feed screw are exposed and the sleeve separates from the bronze feed screw. This completes the disassembly of the tool.
2. Inspect the spindle for any damage and replace if required. Insert the spindle into the adapter end of the bronze feed screw hex end first. Slide it in as far as it will go.
3. Use the original seals if they are undamaged, not worn, and uncontaminated otherwise replace them. Insert two graphite seals into the pocket at the cap end of the bronze feed screw so that the seals surround the spindle shaft. Place them in the pocket with the butt joints staggered 180° (to avoid a weak spot in the seal).
4. Inspect the seal ring for any damage and replace if required. Place the seal ring on top of the seals with the angled face in contact with the seals and the reduced diameter on the ring facing the hex end of the spindle.
5. Inspect the seal cap for any damage and replace if required. Screw the seal cap partially onto the bronze feed screw. Loosely screw the two locking set-screws into the seal cap.
6. Adjust the seal pressure by progressively tightening the seal cap with a wrench as the effort to turn the spindle with a second wrench is tested. When resistance to turning the spindle is felt, loosen the seal nut just enough to remove most resistance. Lock the seal nut in place with the two locking set-screws.

Part Cleaning Procedure

1. Wash the parts in a degreaser tank and wipe each individual part until clean and dry.
2. Seals cannot be washed and reused.
3. Be careful not to wash parts with materials that will corrode or degrade the parts in any way.

Tool Assembly Procedure

1. Inspect the bronze feed screw and sleeve for any damage, replace if required. Lubricate the acme threads on the bronze feed screw with grease. Turn the sleeve clockwise onto the bronze feed screw until all the threads are hidden and the tool is fully collapsed. Place the tool horizontally on a table so parts do not fall out.
7. Inspect the end cap / bearing assembly for any damage and replace if required. Place the end cap/bearing assembly on the protruding spindle shaft, followed by the washer and secure in place with the retaining ring. Push the spindle / end cap assembly onto the sleeve and screw into position. To prevent the end cap from being accidentally unscrewed secure it in place with the set-screw into the side of the end cap.
8. Wipe the tool down to remove excess lubricant and return the tool to the box ready for the next use.

Service and Repair

The above section "Cleaning and Maintaining this Tool" will take care of most of the service needs of this tool with the exception of main bearing replacement. Any problems not addressed by the "Cleaning and Maintaining this Tool" section or replacement of this bearing should only be handled by an authorized RIDGID service technician.

If any maintenance is required other than that outlined, the tool should be sent to a RIDGID Independent Authorized Center or returned to the factory. All repairs made by Ridge service facilities are warranted against defects in material and workmanship.

If you have any questions regarding the operation or function of this tool, call or write to:

Ridge Tool Company
Technical Service Department
400 Clark Street
Elyria, Ohio 44035-6001
Tel: (800) 519-3456
E-mail: TechServices@ridgid.com

For name and address of your nearest Independent Authorized Service Center, contact the Ridge Tool Company at (800) 519-3456 or <http://www.ridgid.com>

Worksheet

Pipe Identification Code Marking	
Media	
Pressure	
Actual Pipe Type and Size	
Identified By	
Saddle or Thread-O-Let™ Manufacturer	
Part Number	
Designed Saddle Pipe Type & Size (Must match pipe data above)	
Designed Saddle or Threadolet Pressure Rating (Must exceed main pressure)	
Outlet Size	
Installed / Welded Date	
Installed / Welded By	
Inspected Date	
Saddle or Thread-O-Let™ Installation Approved By	
Valve Manufacturer	
Part Number	
Valve Type & Size	
Valve Pressure Rating (Must exceed main pressure)	
Valve Approved By	
Datum Offset (see Figure 6)	
Datum to Full Stroke (see Figure 7)	
Subtract "Datum Offset" from "Datum to Full Stroke" for "Full Stroke Distance"	
Valve Standoff Distance (see Figures 8 & 9) (Note if Full Stroke Distance – 1" = Valve Standoff Distance then ABORT THIS TAP!)	
Maximum Stroke (photo 10) (Note if Maximum Stroke is less than Full Stroke Distance be warned that penetration of the back of the pipe is possible! Observe Unusable Stroke Remainder (see Figure 12) to execute this tap safely!)	
Add Valve Standoff Distance to Maximum Stroke then divide result by 2 for Ideal Penetration Distance	
Subtract Ideal Penetration Distance from Full Stroke Distance for Unusable Stroke Remainder. (Figure 12)	



Appareil de taraudage RT3422



Table des matières

Consignes générales de sécurité

Sécurité du chantier	17
Sécurité personnelle	17
Utilisation et entretien de l'appareil	17
Réparations.....	17

Consignes de sécurité particulières

Formation de l'opérateur.....	18
Sécurité de l'appareil de taraudage	18

Description, spécifications et équipements

Description	19
Spécifications.....	19
Équipements de base	19

Mode d'emploi

Sélection de l'adaptateur de clapet.....	21
Diagramme d'assemblage de l'appareil de taraudage.....	21
Tableau de sélection des couteaux de taraudage RIDGID.....	23
Taraudage des canalisations d'alimentation.....	24

Entretien

Nettoyage et entretien du RT3422.....	26
Démontage de l'appareil	26
Nettoyage des pièces.....	27
Remontage de l'appareil	27

Entretien et réparations	28
---------------------------------------	-----------

Fiche opérationnelle	29
-----------------------------------	-----------

Garantie à vie	Page de garde
-----------------------------	----------------------

Consignes Générales de Sécurité

MISE EN GARDE ! Familiarisez-vous avec l'ensemble des instructions. Le respect des consignes suivantes vous permettra d'éviter les risques de choc électrique, d'incendie et de blessure corporelle grave.

CONSERVEZ CES INSTRUCTIONS !

Sécurité du chantier

- **Gardez le chantier propre et bien éclairé.** Les locaux encombrés sont une invitation aux accidents.
- **Gardez les tiers, les enfants et les visiteurs à l'écart lors de l'utilisation de l'appareil de taraudage.** Les distractions risquent de produire des mauvais résultats.

Sécurité personnelle

- **Soyez attentif, faites attention à ce que vous faites et faites preuve de bon sens lors de l'utilisation de l'appareil de taraudage. N'utilisez pas ce type d'appareil lorsque vous êtes fatigués ou lorsque vous prenez des médicaments, de l'alcool ou des produits pharmaceutiques.** Un instant d'inattention peut entraîner de graves blessures lors de l'utilisation de ce type d'appareil.
- **Habillez-vous de manière appropriée. Ne portez pas de vêtements amples ni de bijoux. Attachez les cheveux longs. Gardez vos cheveux, vos vêtements et vos gants à l'écart des pièces mobiles.** Les vêtements amples, les bijoux et les cheveux longs peuvent être entraînés dans le mécanisme.
- **Ne vous mettez pas en porte-à-faux. Gardez une bonne assise et un bon équilibre à tous moments.** Une bonne assise et un bon équilibre vous assurent de mieux contrôler l'appareil en cas d'imprévu.
- **Utilisez les équipements de sécurité appropriés. Portez une protection oculaire systématiquement.** Un masque à poussière, des chaussures de sécurité, le casque et/ou une protection auditive doivent être portés selon les conditions d'utilisation.

Utilisation et entretien de l'appareil

- **Ne forcez pas l'appareil. Utilisez l'outil prévu pour votre application particulière.** L'outil approprié fera mieux le travail et assurera une meilleure sécurité d'emploi s'il est utilisé au régime prévu.
- **Rangez les appareils non utilisés hors de la portée des enfants et des personnes non-initiées.** Ces

appareils sont dangereux entre les mains de personnes non initiées.

- **Entretenez soigneusement les outils. Maintenez les outils de coupe propres et bien affûtés.** Les outils bien entretenus et affûtés sont moins sensibles au grippage et plus faciles à contrôler.
- **Assurez-vous qu'il n'y a pas de mauvais alignement ou de grippage des pièces rotatives ou d'autres conditions qui pourraient entraver le bon fonctionnement de l'appareil. Le cas échéant, faire réparer l'appareil avant de vous en servir.** De nombreux accidents sont le résultat d'un appareil mal entretenu.
- **Utilisez exclusivement les accessoires recommandés par le fabricant pour votre appareil particulier.** Des accessoires prévus pour un certain type d'appareil peuvent être dangereux lorsqu'ils sont montés sur un autre.
- **Gardez les poignées de la machine propres, sèches et dépourvues d'huile ou de graisse.** Cela vous permettra de mieux contrôler l'appareil.

Réparations

- **Toutes réparations de l'appareil doivent être confiées à un réparateur qualifié.** La réparation ou l'entretien de l'appareil par du personnel non qualifié peut entraîner des blessures.
- **Lors de la réparation de l'appareil, utilisez exclusivement des pièces de rechange identiques à celles d'origine.** Suivez les instructions de la section "Entretien" du mode d'emploi. L'utilisation de pièces de rechange non homologuées et le non respect des consignes d'entretien peut augmenter les risques de blessure corporelle.

Consignes de Sécurité Particulières

▲ MISE EN GARDE !

Lisez et respectez l'ensemble des avis de sécurité affichés sur l'appareil ! Familiarisez-vous avec la position et la fonction de chacun des composants de l'appareil de taraudage avant de l'utiliser.

Formation de l'opérateur

▲ MISE EN GARDE !

Le taraudage de canalisations contenant des liquides ou des gaz sous pression est potentiellement dangereux. Les procédures appropriées doivent être respectées lors de l'utilisation de ce matériel afin d'assurer la sécurité du chantier et éviter de graves blessures corporelles.

L'utilisation de ce matériel doit être interdite à tous ceux qui n'ont pas reçu une formation complète sur l'utilisation de ce matériel et les dangers potentiels associés au taraudage des canalisations contenant des liquides ou des gaz sous pression.

L'acheteur est responsable des conditions d'utilisation de ce matériel, ainsi que de la formation professionnelle et la compétence de ses opérateurs.

Veuillez contacter Ridge Tool immédiatement en cas de problèmes de fonctionnement quelconques !

▲ MISE EN GARDE !



- Lisez le mode d'emploi. L'opérateur doit avoir reçu la formation nécessaire avant d'utiliser cet appareil.
- Portez des lunettes de sécurité.
- Ne pas dépasser les limites de pression et de température indiquées pour l'appareil, ses accessoires, clapets ou raccords. Ne tarauder que les canalisations dont le contenu a été vérifié.

Appareil de taraudage modèle RT3422

Eau : 500 PSIG (lb/po²) à 40°C (100°F)

Air, vapeur, gaz naturel : 150 PSIG (lb/po²) à 172°C (370°F)

Sécurité de l'appareil de taraudage

1. **L'utilisation de cet appareil doit être réservée exclusivement au personnel ayant reçu la formation nécessaire.** Toute utilisation incorrecte de cet appareil peut entraîner de graves blessures corporelles, nuire à l'environnement et/ou provoquer des dégâts matériels.
2. **Portez systématiquement une protection oculaire.** Les mèches pilote et les mèches de taraudage sont de haute densité et risquent d'éclater.

3. **Ne pas dépasser les limites de pression indiquées.** Toute tentative de taraudage d'une canalisation d'alimentation dont la pression dépasse les limites de cet appareil ou de ses raccords risque de provoquer leur rupture.
4. **Limitez le taraudage aux canalisations d'alimentation pressurisées contenant de l'eau, de l'air, de la vapeur ou du gaz naturel.** Les autres milieux risquent d'attaquer les joints de l'appareil.
5. **Lors de l'utilisation d'un système d'entraînement électrique pour faire tourner l'appareil de taraudage, respectez les consignes de sécurité applicables à ce type de matériel. Les systèmes d'entraînement pneumatiques sont généralement plus sûrs, car ils éliminent les risques de déflagration et de choc électrique.**
 - **Les systèmes d'entraînement électriques ne doivent pas être utilisés pour le taraudage des canalisations de gaz naturel. Le cas échéant, utilisez exclusivement des systèmes d'entraînement pneumatiques ou des clés à cliquet manuelles.** Les appareils électriques produisent des étincelles qui risquent d'enflammer le gaz.
 - **Les appareils électriques équipés d'une prise de terre doivent être branchés sur une prise de courant avec terre appropriée.** La mise à la terre assure, en cas de défaillance électrique de l'appareil, une faible résistance qui permet d'éloigner le courant électrique de l'utilisateur.
 - **Les appareils électriques doivent être branchés sur des prises de courant protégées par un disjoncteur différentiel (GFCI).** Cela réduit les risques de choc électrique.
6. **Utilisez exclusivement des perceuses électriques ou pneumatiques équipées d'une poignée pistolet pour entraîner l'appareil. L'appareil doit être entraîné à un régime contrôlé.** En cas de blocage soudain de l'appareil, un système d'entraînement sans poignée d'équerre ou sans possibilité de contrôler le régime d'entraînement risque de se vriller sans préavis.
7. **La canalisation d'alimentation à tarauder doit être tenue parfaitement immobile afin d'éviter tout risque de déplacement.** Tout déplacement éventuel durant le taraudage risque d'endommager l'appareil.
8. **Respectez la réglementation et les consignes de sécurité applicables au travail sur chantier.**
 - **Lors des travaux souterrains, assurez-vous d'un moyen d'évacuation en cas d'urgence avant**

d'entamer le taraudage. De telles précautions réduisent les risques de blessure.

- **Lors des travaux effectués à partir d'un échafaudage ou d'un monte-charge, l'opérateur, l'appareil et le système d'entraînement doivent être correctement arrimés.** Cela empêchera les blessures en cas de chute de l'opérateur ou de l'appareil.
- 9. **Déviez le clapet de purge du chantier et du personnel. Lorsque vous travaillez au-dessus d'autres appareils ou du personnel, installez un flexible sur le clapet de purge pour dévier le liquide évacué.** Les décharges dirigées vers le personnel risquent d'entraîner de graves blessures corporelles.
- 10. **Ne pas utiliser cet appareil pour soutenir l'opérateur.** Cela risque d'endommager l'appareil.
- 11. **Cet appareil a été conçu pour le taraudage de canalisations sous pression. Suivez les instructions du mode d'emploi visant son utilisation.** Toute autre application peut augmenter les risques d'accident.

NOTA ! Conservez ce mode d'emploi dans la pochette prévue de la mallette de transport.

Description, spécifications et équipements

Description

L'appareil de taraudage modèle RT3422 est prévu pour le taraudage des canalisations sous pression en acier, en plastique, en fonte ductile et en fonte équipées de brides de raccordement ou de raccords soudés. Il peut tarauder les canalisations d'alimentation d'eau sous une pression maximale de 500 PSI, ainsi que celles contenant de la vapeur, de l'air ou du gaz naturel sous pression jusqu'à une pression de 150 PSI. Ne pesant que 18 lb, le modèle RT3422 assure le taraudage simple et rapide des piquages de 3/4" à 2" de diamètre. La mèche peut être entraînée soit par un cliquet manuel, par un cliquet pneumatique ou par une perceuse à poignée pistolet. Un canon à filets trapézoïdaux autonettoyants facilite l'avancement de la mèche dans le tuyau et retient la pression de la canalisation une fois le taraudage terminé.

Spécifications

- Capacité de taraudage :3/4" à 2" de diamètre
- Montage :Sur bride, raccord soudé, Weld-O-Let™, Thread-O-Let™
- Trajet de mèche :14" maxi
- Activation :Cliquet manuel, cliquet pneumatique ou perceuse à poignée pistolet
- Types de canalisation :Acier, plastique, fonte ductile, fonte
- Avancement de la mèche: ...Par rotation d'une chemise autour d'un canon à filets trapézoïdaux
- Pression admissible :Eau : 500 PSIG à 100°F
Vapeur, air gaz naturel : 150 PSI à 370°F
- Poids :17 lb (appareil et cliquet seuls)

Equipements de base

- Appareil RT3422 seul :Appareil avec clapet de purge
- RT3422 pour 3/4" à 1" :Appareil avec clapet de purge
Boîte à outils
Clé à cliquet
Petite rallonge
Axe pour petite scie à cloche
Adaptateurs pour clapets de 3/4", 1"
2 clés à douille
- RT3422 pour 3/4" à 1" :Appareil avec clapet de purge
Boîte à outils
Clé à cliquet
Grande rallonge
Axe pour grande scie à cloche
Adaptateurs pour clapets de 3/4", 1", 1 1/4", 1 1/2", 2"
2 clés à douille

Mode d'emploi

1. Localisez le tuyau qui doit être taraudé. Suivez la canalisation aussi loin que possible afin d'assurer qu'il s'agit bien de celle qui doit être taraudée et noté le milieu (ce que contient la canalisation) et la pression sur une copie de la fiche de travail qui se trouve en fin de ce mode d'emploi.
2. Déterminez précisément l'endroit où le tuyau doit être taraudé. Considérez non seulement le meilleur passage pour la nouvelle canalisation, mais aussi

l'effet que pourraient avoir les copeaux de taraudage sur les installations en aval du piquage. Tenez compte de l'orientation du piquage ; un piquage au sommet de la canalisation risque de laisser tomber des copeaux dans la canalisation, tandis qu'un piquage à son fil d'eau aura tendance à renvoyer les copeaux vers l'appareil. Le clapet de purge aidera à chasser la majorité des copeaux si celui-ci reste ouvert durant toute l'opération de taraudage.

3. Déterminez s'il convient d'utiliser une bride ou un raccord soudé type "Thread-O-Let™" ou "Weld-O-Let™" pour le raccordement du clapet à la canalisation d'alimentation. Tenez compte des avantages et des inconvénients propres aux deux types de raccord. Notez les données de raccordement correspondantes sur la fiche d'intervention qui se trouve en fin de ce manuel.

L'utilisation des raccords à souder "Thread-O-Let™" et "Weld-O-Let™" est limitée aux tuyaux métalliques compatibles d'une pression souvent limitée, cependant l'intégrité des soudures est pratiquement impossible à vérifier sans radiographie. Le milieu transporté par la canalisation risque de compromettre la soudure par refroidissement, ou pire, la soudure risque de percer le tuyau et laisser la pression à l'intérieur s'évacuer via la soudure en fusion. Un raccord à bride peut être utilisé sur toute canalisation dont le diamètre extérieur lui est compatible. Les raccords à bride ont une résistance à la pression nominale déterminée mais, si pour des raisons quelconques la bride elle-même était compromise, l'étanchéité du joint pourrait également être compromise.

4. Déterminez s'il convient de prévoir une vanne à carré ou à volant pour le raccord en question. Une vanne à carré ne peut être ouverte et fermée que par une clé à carré, plutôt qu'un volant. Cela empêche la manipulation accidentelle de la vanne par du personnel non autorisé. Quasiment toute vanne d'une résistance à la pression suffisante, faite d'un matériau qui soit compatible avec le milieu et suffisamment courte pour permettre à la mèche de la traverser sans accrocs peut être utilisée. **Seules les vannes à billes à ouverture intégrale, les robinets à boisseaux ou les robinets-vannes peuvent être utilisés. Assurez-vous que la mèche puisse passer à travers la vanne avant de monter la vanne et l'appareil.** A défaut, utilisez une vanne d'origine ou de type différent.
5. Préparez le matériel et déterminez les possibilités de taraudage. Cela permettra de déterminer si la configuration prévue laisse suffisamment de course pour compléter le taraudage, ou au contraire, si cette

configuration crée un risque de percement de la paroi opposée du tuyau. Sélectionnez l'adaptateur de vanne, la mèche pilote, la rallonge et l'adaptateur de scie à cloche appropriés à partir du tableau suivant intitulé "Sélection des adaptateurs de vanne". L'organigramme suivant aidera l'opérateur à déterminer quel matériel sera nécessaire pour effectuer le taraudage prévu.

- a) Après avoir vérifié que l'appareil est dans la position complètement repliée et après avoir sélectionné la rallonge appropriée, tenez l'axe par ses plats d'extrémité et vissez la rallonge dans l'extrémité de l'axe. Il n'est pas nécessaire de bloquer la rallonge, car l'appareil s'en chargera dès sa mise en marche (Figure 1).



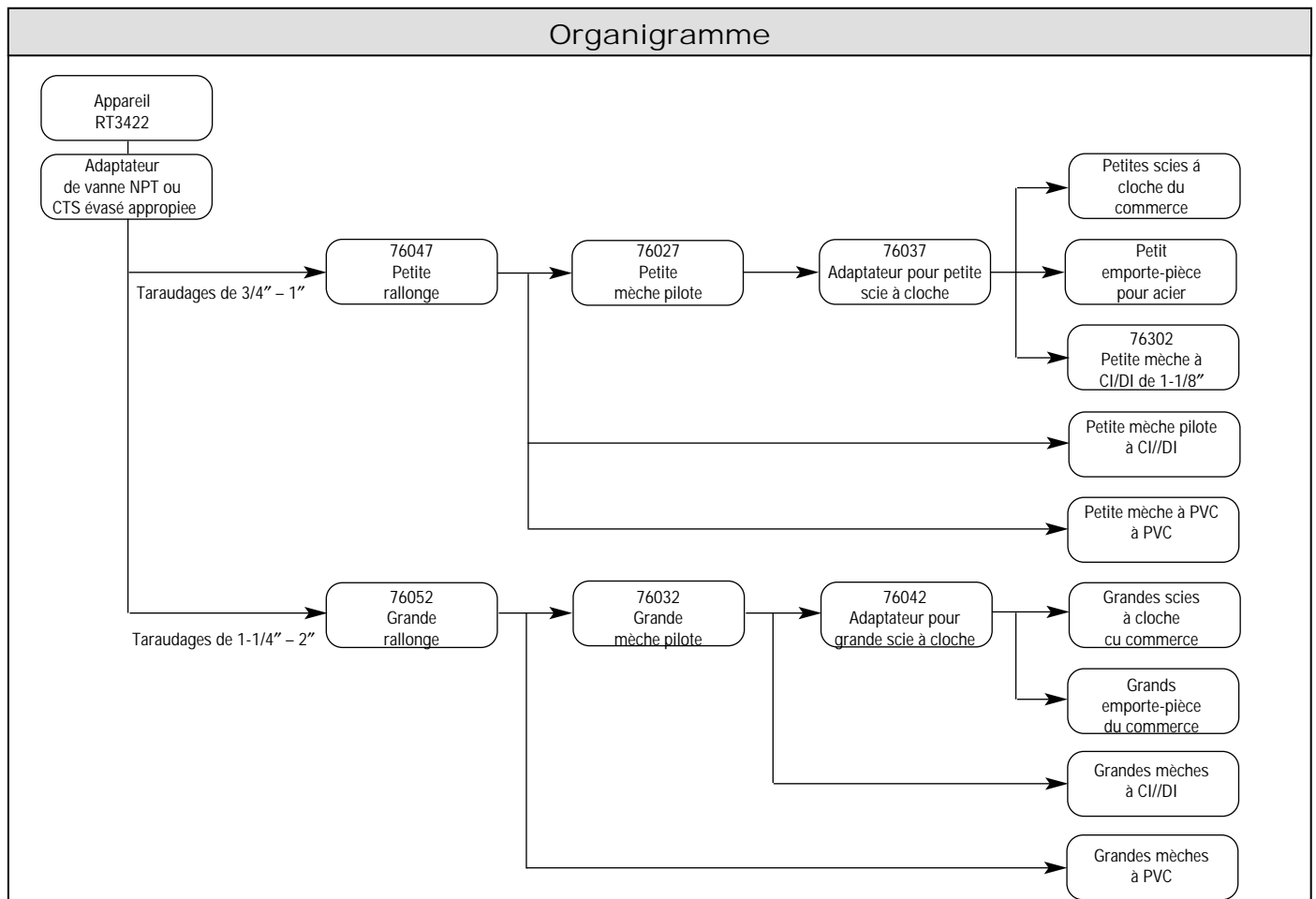
Figure 1 – Installation de la rallonge



Figure 2 – Installation de l'adaptateur de vanne

- b) Examinez le joint torique de l'adaptateur de vanne et remplacez-le s'il est endommagé. Ensuite, tenez la vis d'alimentation en bronze par ses plats et enfitez l'adaptateur de vanne sur la vis d'alimentation. Cela doit se faire à la main, car l'opérateur sentira d'abord l'engagement du joint, puis l'arrêt soudain de l'adaptateur lorsque la vis en bronze bute contre le fond de l'adaptateur de vanne (Figure 2).

Sélection des adaptateurs de vanne										
Ø vanne	Ø alésage	Adaptateur CTS	Adaptateur femelle NPT	Adaptateur mâle NPT	Adaptateur femelle BSPT	Adaptateur mâle BSPT	Ø tuyau	rallonge	Adaptateur de scie	Observations
3/4"	0.625	76057	76087	76132	76177	76222	0.250	76047	76037	Configuration préférée
	0.688									
1"	0.750	76067	76092	76137	76182	76227	0.250	76047	76037	Configuration préférée
	0.813									
	0.875									
	0.938									
1-1/4"	1.000	76072	76097	76142	76187	76232	0.250	76047	76037	Configuration préférée
	1.063									
	1.125									
	1.188									
1-1/2"	1.250	76077	76102	76147	76192	76237	0.375	76052	—	Adaptateur de vanne
	1.313								76042	Adaptateur de vanne
	1.375									Configuration préférée
	1.438									
2"	1.500	76082	76107	76152	76197	76242	0.375	76052	76042	Configuration préférée
	1.563									
	1.625									
	1.688									
	1.750									
	1.813									
	1.875									



c) Sélectionnez la mèche appropriée à partir du tableau qui se trouve à la page suivante. Notez que la sélection de cette mèche déterminera si ou non il est nécessaire d'utiliser une mèche pilote ou un adaptateur de scie à cloche. Si la mèche sélectionnée nécessite l'utilisation d'un adaptateur de scie à cloche, vissez-le sur l'extrémité de la rallonge. Les mèches à CI/DI et à PVC n'ont pas besoin d'arbre de scie à cloche. Comme auparavant, un serrage manuel est suffisant (*Figures 3 et 3a*).



Figure 3 – Installation de l'adaptateur pour petite scie à cloche



Figure 3a – Installation de l'adaptateur pour grande scie à cloche

d) Après s'être assuré que la mèche sélectionnée est en bon état, vissez-la soit au bout de l'arbre de scie à cloche (si prévu), soit directement sur la rallonge. Comme auparavant, un serrage manuel est suffisant (*Figures 4 et 4a*).

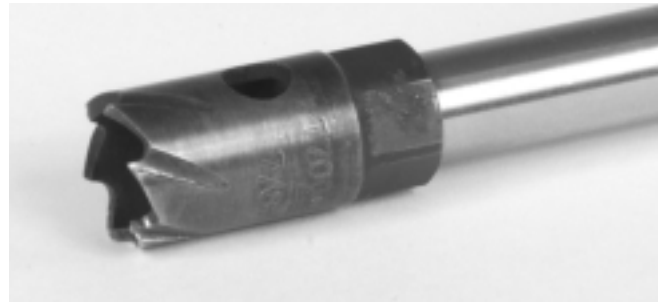


Figure 4 – Installation de la mèche sur l'arbre de petite scie à cloche



Figure 4a – Installation de la mèche sur l'arbre de grande scie à cloche

e) Assurez-vous du bon état de la mèche pilote sélectionnée pour cette application particulière. Faites particulièrement attention à son dispositif de récupération de chute, car la chute risque d'être perdue si ce dispositif est endommagé. Montez la mèche pilote soit sur l'adaptateur de scie à cloche (si prévu), soit directement en bout de la mèche de taraudage. Retenez la mèche pilote à l'aide de la vis de blocage en vous assurant qu'elle tombe sur le plat de la mèche pilote, puis serrer à fond (*Figure 5*).



Figure 5 – Installation de la mèche pilote

f) Mesurez la distance entre un point fixe, tel que les plats de serrage de la vis d'alimentation et l'extrémité de la chemise. Dans le cas de la Figure 6 ci-dessous, cette distance correspond à 1".

Tableau de sélection des mèches de taraudage RIDGID					
Ø alésage	Ø fractionnel	Bimétal RIDGID (entraînement mécanique)	Acier RIDGID (entraînement manuel)	Mèches CI/DI RIDGID (entraînement mécanique ou manuel)	RIDGID PVC Cutters (entraînement manuel)
0.625	5/8	R10	76267	76292	76317
0.688	11/16	R11			
0.750	3/4	R12			
0.813	13/16	R13			
0.875	7/8	R14	76272	76297	76322
0.938	15/16	R15			
1.000	1	R16			
1.063	1-1/16	R17			
1.125	1-1/8	R18	76277	76302	76327
1.188	1-3/16	R19			
1.250	1-1/4	R20			
1.313	1-5/16	R21			
1.375	1-3/8	R22	76282	76307	76332
1.438	1-7/16	R23			
1.500	1-1/2	R24			
1.563	1-9/16	R25			
1.625	1-5/8	R26			
1.688	1-11/16	R27			
1.750	1-3/4	R28	76287	76312	76337
1.813	1-13/16	R29			
1.875	1-7/8	R30			

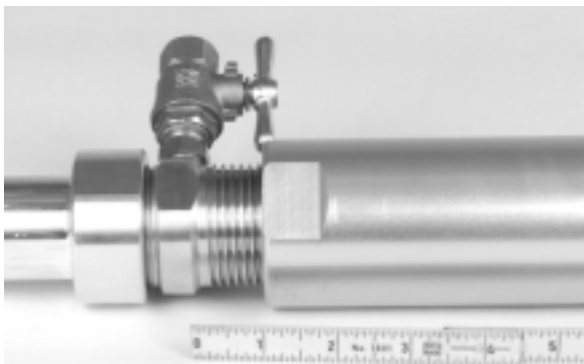


Figure 6 – Vérification du décalage de 1"

- g) Ramenez la chemise au début de la vis d'alimentation en bronze en dévissant. (C.-à-d., en regardant le long de l'appareil à partir de son extrémité fermée vers la mèche, la chemise se dévisse pour déployer l'appareil). Dévissez la chemise jusqu'à ce qu'elle vienne à buter. Mesurez à nouveau la distance entre un point de repère fixe, tel que les plats de serrage de la vis d'alimentation, et l'extrémité de la chemise. Dans le cas de la *Figure 7*, il s'agit d'une distance de

15". Soustraire de cette distance celle indiquée à l'article "f". Il en résulte une course totale de 14". A noter que cette course peut changer en fonction de la combinaison d'adaptateur de vanne et de mèche utilisée. Notez la course sur la fiche de travail fournie à la page 29.



Figure 7 – Mesurage de la course

- h) Montez la bride sélectionnée sur la canalisation d'alimentation selon les spécifications du fabricant, ou soudez le raccord Thread-O-Let™ ou Weld-O-Let™ sur la canalisation selon les normes de soudure applicables.
- i) Enduisez le filetage de la vanne à carré ou à volant d'un produit d'étanchéité, puis vissez-la à fond dans la bride ou dans le Thread-O-Let™ afin d'assurer une étanchéité parfaite. Vérifiez que la vanne soit en position **FERMEE**.
- j) Mesurez la distance entre la surface du tuyau et la sortie de la vanne comme indiqué aux *Figures 8 et 9*. Cette mesure correspond à la course minimale nécessaire avant que l'outil de coupe entre en contact avec le tuyau à tarauder. (Dans le cas de l'illustration, il s'agit de 4 1/2"). Notez cette distance sur la fiche de travail ci-jointe. Si la distance correspondante se trouve à moins de 1" de la course indiquée à l'article "g", c'est signe que l'appareil risque de ne pas avoir suffisamment de course pour compléter le taraudage, d'où la nécessité d'avorter l'opération et d'établir une nouvelle configuration avec modification du type de vanne et/ou de bride.



Figure 8 – Relevé du décalage de la vanne.

- k) Mesurez la distance entre le côté opposé du tuyau et la sortie de la vanne comme indiqué à la *Figure 10*. Cette distance représente la course maximale avant percement de la paroi opposée du tuyau à tarauder. (Dans le cas de l'illustration, cette côte est de 10 1/2") Notez cette côte sur la fiche de travail ci-jointe. Si cette distance est inférieure à la longueur de course indiquée à l'article "g", la course de la machine est suffisante pour perforer la paroi opposée de la canalisation.

isation. C'est le cas de l'illustration. Il convient donc de prendre les précautions nécessaires afin d'éviter des problèmes lors du taraudage.



Figure 9 – Relevé du décalage de la vanne.

- l) Calculez la distance de pénétration idéale de manière à arrêter la pénétration à l'axe du tuyau. Ajoutez la longueur de la vanne relevée à l'article "j" précédent à la course maximale établie à l'article "k", puis divisez le total par 2. Dans l'exemple précédent, nous avons 10 1/2" plus 4 1/2" pour un total de 15" qui, divisé par 2, donne une pénétration idéale de 7 1/2".
- m) Il faut alors soustraire la distance de pénétration idéale de la course totale déterminée à l'article "g". Selon l'exemple, cela se traduit par une course totale de 14" moins 7 1/2" de course nécessaire pour un total de 6 1/2" de course résiduelle inutilisable.

MISE EN GARDE

Une prise de mesures erronée peut avoir pour résultat le percement de la paroi opposée du tuyau.

Taraudage de la canalisation d'alimentation

1. Si le clapet de purge n'est pas utilisé, s'assurer qu'il soit complètement fermé ou qu'il soit obturé par un bouchon de 3/8". Appliquez de la pâte à joints sur le filetage du clapet de purge et du bouchon.



Figure 10 – Mesure de la course maximale

2. Après l'avoir complètement assemblé et déployé, montez l'appareil de taraudage sur le filetage de sortie de la vanne en le vissant sur l'adaptateur de vanne (Figure 11). Il est nécessaire d'enduire les filetages des adaptateurs de vanne NPT et BSPT avec de la pâte à joints et de les serrer à fond afin d'éviter les fuites éventuelles, notamment au droit des montages temporaires entre la vanne et l'adaptateur. Le raccordement adaptateur/vanne des adaptateurs CTS (cuivre – évasé ou compression) ne nécessite pas de pâte à joints, mais ce type d'adaptateur doit être équipé du joint approprié et être en bon état marche.
3. Ouvrez, fermez, puis rouvrez le robinet ou la vanne à carré afin d'assurer que la mèche pilote ne gêne pas son fonctionnement. S'il y a interférence lors de la fermeture, il sera nécessaire d'utiliser un autre type de robinet ou de vanne et de répéter le processus depuis le départ.
4. Si un clapet de purge fait partie de l'installation, un flexible peut y être attaché afin de dévier les décharges éventuelles. N'oubliez pas d'attacher l'extrémité du flexible afin de contrôler la direction de décharge. Notez que cette décharge a la même composition que le contenu du tuyau.

MISE EN GARDE

Assurez-vous qu'il n'y ait personne dans le passage de la décharge du clapet de purge, en cas d'ouverture accidentelle de la vanne. La pression peut être très élevée et causer de graves blessures corporelles.

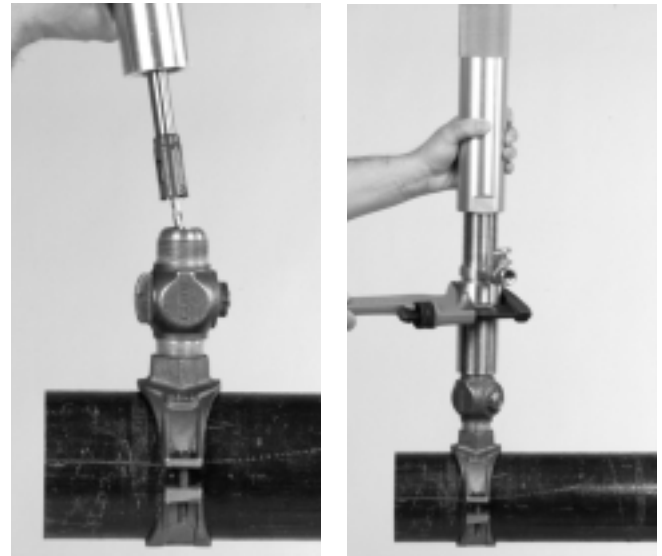


Figure 11 – Montage de l'appareil sur la vanne

5. Vissez la chemise jusqu'à ce que la mèche vient à peine toucher la canalisation d'alimentation, puis ramenez-la d'un tour. Utilisez la clé à cliquet ou un système d'entraînement électrique pour entraîner l'arbre d'entraînement par son ergot hexagonal de 11/16" tout en vissant la chemise pour faire avancer la mèche. Ne faites pas avancer la mèche trop rapidement. Une légère pression d'avancement assurera une coupe de qualité supérieure (Figure 12).

MISE EN GARDE

L'avancement trop rapide de la mèche peut provoquer un retour de manivelle dont le couple serait suffisant pour tordre votre bras.

Continuez à percer la canalisation d'alimentation jusqu'à ce que vous ne sentez plus de résistance à l'avancement. Arrêtez immédiatement s'il ne reste que la course résiduelle inutilisable à parcourir. Toute continuation au-delà de ce point risque de percer la paroi opposée du tuyau.

MISE EN GARDE !

NE PAS percer la paroi opposée du tuyau.

6. Le taraudage de la canalisation est terminé. La vanne, la bride et l'appareil se trouvent alors remplis du milieu contenu par la canalisation. Dévissez la chemise

jusqu'à ce que le filetage de la vis d'alimentation en bronze est exposé et que la chemise ne tourne plus. C'est alors que la mèche de taraudage et la chute du tuyau auront été complètement retirées. Fermez le robinet ou la vanne à carré. S'il est difficile de fermer le robinet ou la vanne en raison des copeaux de perçage, branchez un flexible sur le clapet de purge (s'il n'est pas déjà installé), puis ouvrez le clapet afin de chasser un maximum de copeaux. Ensuite, ouvrez et fermez la vanne jusqu'à ce qu'elle puisse être complètement fermée. Il est essentiel de pouvoir fermer la vanne avant de procéder à l'opération suivante. Si le clapet de purge est utilisé, lui aussi peut être fermé et son flexible, enlevé. Notez que ce flexible retiendra des résidus du milieu contenu par le tuyau.

7. Retirez la clé à cliquet ou le dispositif d'entraînement électrique de l'ergot hexagonal de l'arbre d'entraînement. Retenez la vanne avec une clé afin de l'empêcher de se dévisser lors du dévissage de l'adaptateur de vanne avec une autre clé. Attendez-vous à ce que l'appareil se dégage soudainement en libérant le milieu qu'il contient. Si la canalisation était sèche, attendez-vous à ce que la mèche de taraudage soit chaude.
8. La nouvelle canalisation peut alors être montée à la sortie de la vanne. Ensuite, il s'agit simplement d'ouvrir la vanne pour activer la nouvelle installation.
9. Pour retirer la chute de coupe de la mèche de taraudage, vissez la chemise jusqu'à ce que la mèche soit exposée. Les emporte-pièce sont équipés d'un trou ou d'une encoche qui permet de chasser la chute. Si nécessaire, démontez la mèche de taraudage pour faciliter l'élimination de la chute de coupe. Lors de l'utilisation d'une mèche pilote équipée d'un dispositif de retenue des chutes de coupe, comprimez le ressort de rétention afin de pouvoir faire glisser la chute le long de la mèche. Après avoir exécuté tous les taraudages de cette configuration particulière, allez à la prochaine étape. S'il est nécessaire d'effectuer des taraudages supplémentaires, remontez la mèche de taraudage et recommencez l'opération depuis le début de cette section.
10. Enlevez l'adaptateur de vanne, la mèche de perceuse ou de taraudage, la mèche pilote (si applicable), l'adaptateur de scie à cloche (si applicable) et la rallonge de l'appareil. Vissez la chemise jusqu'à ce que le filetage de la vis d'alimentation en bronze soit complètement caché et que l'appareil soit complètement replié. Essayez l'ensemble des composants de l'appareil jusqu'à ce qu'ils soient parfaitement propres et secs, puis rangez-les dans la boîte à outils.



Figure 12 – Pivotation d'une main sur le cliquet et de l'autre sur l'appareil.

Entretien

Nettoyage et entretien du RT3422

Cette opération doit être confiée à du personnel qualifié.

Démontage de l'appareil

1. Vissez la chemise jusqu'à ce que le filetage de la vis d'alimentation en bronze soit complètement caché et que l'appareil soit complètement replié. Posez l'appareil horizontalement sur une table de manière à éviter que les pièces tombent.
2. Repérez et enlevez la vis de blocage qui se trouve sur le capuchon rouge.
3. Enlevez la bague de retenue et la rondelle de l'extrémité du capuchon rouge.
4. Dévissez le capuchon rouge. Notez que tout milieu qui a échappé le joint se sera accumulé sous le capuchon et risque d'être déversé. N'enlevez le palier étanche

du capuchon que pour son remplacement. S'il est nécessaire d'enlever ce palier, utilisez deux broches de 7/64" de diamètre et de longueur identique pour retirer le palier délicatement. L'utilisation d'un marteau endommagerait le siège du palier.

5. Enlevez les deux vis de blocage du capuchon d'étanchéité, puis dévissez le capuchon complètement. Retirez le joint d'étanchéité de l'intérieur de l'extrémité de la vis d'alimentation en bronze qui vient d'être exposée. Enlevez les deux joints en graphite du même endroit. Remplacez les deux joints en graphite lorsqu'ils sont usés ou endommagés. De manière générale, il convient de remplacer les joints en graphite au bout de 20 taraudages ou tous les 6 mois, le premier des deux prévalant.
6. Déboîtez l'axe de l'ergot hexagonal et repoussez-le à travers l'autre extrémité de l'appareil. Dévissez la chemise jusqu'à ce que le filetage de la vis d'alimentation en bronze soit complètement exposé et que la chemise se sépare de la vis d'alimentation en bronze. Le démontage de l'appareil est alors terminé.

Nettoyage des pièces

1. Lavez les pièces dans un bac de dégraissage, puis essuyez-les jusqu'à ce que chaque pièce soit parfaitement propre et sèche.
2. Les joints d'étanchéité ne peuvent pas être lavés ou réutilisés.
3. Faites attention de ne pas utiliser des produits de nettoyage qui risquent de corroder ou dégrader les pièces.

Assemblage de l'appareil

1. Examinez la vis d'alimentation en bronze et la chemise pour signes de détérioration et remplacez-les si nécessaire. Lubrifiez le filetage de la vis d'alimentation avec de la graisse. Vissez la chemise sur la vis d'alimentation en bronze jusqu'à ce que ses filets soient cachés et que l'appareil soit complètement replié. Posez l'outil horizontalement sur une table afin d'éviter de perdre ses pièces.
2. Examinez l'axe pour signes de détérioration et remplacez-le si nécessaire. Introduisez l'extrémité hexagonale de l'axe dans l'extrémité adaptateur de la vis d'alimentation en bronze. Enfoncez l'axe aussi loin que possible.

3. Réinstallez les joints d'origine s'ils ne sont pas endommagés, usés ou contaminés, sinon, remplacez-les. Introduisez les deux joints en graphite dans le logement qui se trouve à l'extrémité capuchon de la vise d'avancement en bronze de manière à ce que les joints entourent l'axe. Positionnez-les dans le logement avec les butés des joints diamétralement opposés de manière à éviter les points faibles au niveau de l'étanchéité.
4. Examinez l'anneau d'étanchéité pour signes de détérioration et remplacez-le si nécessaire. Positionnez l'anneau d'étanchéité sur les joints avec sa face bise contre les joints et son petit diamètre face à l'extrémité hexagonale de l'axe.
5. Examinez le capuchon d'étanchéité pour signes de détérioration et remplacez-le si nécessaire. Vissez le capuchon d'étanchéité partiellement sur la vis d'alimentation en bronze. Engagez les deux vis de blocage dans le capuchon d'étanchéité sans les serrer.
6. Réglez la limite de pression en serrant progressivement le capuchon d'étanchéité à l'aide d'une clé lorsque l'axe commence à tourner sous l'effort d'une deuxième clé. Lorsque vous ressentez une résistance au niveau de l'axe, desserrez l'écrou d'étanchéité juste assez pour éliminer la majorité de la résistance. Fixez l'écrou d'étanchéité en position à l'aide des deux vis de blocage.
7. Examinez l'ensemble capuchon d'extrémité/palier pour signes de détérioration et remplacez-le si nécessaire. Positionnez l'ensemble capuchon d'extrémité/palier sur la partie saillante de l'axe, suivi par la rondelle, puis retenez l'ensemble à l'aide de l'anneau de retenue. Emboîtez l'ensemble axe/capuchon d'extrémité sur la chemise et vissez-le en position. Afin d'éviter le dévissage accidentel du capuchon d'extrémité, retenez-le à l'aide de la vis de blocage qui se trouve sur le capuchon d'extrémité.
8. Essuyez l'appareil afin d'éliminer les excédents de lubrifiant et rangez-le dans la boîte en attente de la prochaine intervention.

Entretien et réparations

A l'exception du remplacement du palier, la section "Nettoyage et entretien de l'appareil" précédente couvre la majorité des interventions nécessaires à l'entretien de l'appareil. Tout problème qui n'a pas été adressé dans la section "Nettoyage et entretien de l'appareil", ainsi que le remplacement du palier, doit être confié à un réparateur RIDGID agréé.

Pour toutes interventions autres que celles décrites, confiez l'appareil à un centre de réparations RIDGID autorisé ou réexpédiez-le à l'usine. Toutes réparations effectuées par Ridge sont garanties contre les vices de matériel et de main d'oeuvre.

Veillez adresser toutes questions éventuelles concernant le fonctionnement ou l'application de cet appareil par téléphone ou par écrit à :

Ridge Tool Company
Technical Service Department
400 Clark Street
Elyria, Ohio 44035-6001
Tel: (800) 519-3456
E-mail: TechServices@ridgid.com

Pour obtenir les coordonnées du concessionnaire le plus proche, consultez-nous : (800) 519-3456 ou <http://www.ridgid.com>.

Fiche de travail

Repère codé d'identification du tuyau	
Milieu	
Pression	
Type et section du tuyau	
Identifié par	
Fabricant de bride ou de Thread-O-Let™	
Numéro de pièce	
Caractéristiques mécaniques et dimensionnelles de la bride (sa résistance doit être supérieure à la pression d'alimentation)	
Caractéristiques mécaniques et dimensionnelles de la bride ou du Thread-O-Let™ (doivent correspondre à celles du tuyau)	
Ø sortie	
Date d'installation/soudage	
Installation/soudage effectué par	
Date de contrôle	
Installation de bride ou Thread-O-Let™ contrôlée par	
Fabricant de vanne	
Numéro de pièce	
Type et section de vanne	
Résistance à la pression nominale de la vanne (Doit excéder celle de la canalisation d'alimentation)	
Vanne approuvée par	
Décalage relevé (<i>voir la Figure 6</i>)	
Course maximale relevée (<i>voir la Figure 7</i>)	
Déduction du décalage relevé de la course maximale relevée pour établir la course maximale applicable de	
Décalage de la vanne (<i>voir les Figures 8 & 9</i>) (Notez que si la course maximale applicable moins 1" = le décalage de la vanne, NE PA TARAUDER !)	
Course maximale (photo n°10) (Notez que si la course maximale est inférieure à la course maximale applicable, il y a risque de perforation de la paroi opposée du tuyau ! Appliquez le principe de course inutilisable résiduelle (<i>voir la Figure 12</i>) pour effectuer ce taraudage en toute sécurité !)	
Ajoutez le décalage de la vanne à la course maximale, puis divisez le résultat par 2 pour obtenir la distance de pénétration idéale.	
Retirez la distance de pénétration idéale de la course maximale applicable pour obtenir la course inutilisable résiduelle (<i>Figure 12</i>).	



Modelo RT3422

Herramienta para taladrar tuberías a presión



Índice

Información General de Seguridad

Seguridad en la Zona de Trabajo.....	33
Seguridad Personal.....	33
Uso y Cuidado de la Herramienta.....	33
Servicio	33

Información Específica de Seguridad

Capacitación del operador	34
Seguridad de la herramienta para taladrar	34

Descripción, Especificaciones y Equipo

Descripción	35
Especificaciones	35
Equipo estándar.....	35

Instrucciones para el funcionamiento

Selección de adaptadores para válvulas	37
Diagrama de instalación de la herramienta taladradora	37
Tabla de selección de cortadoras para la herramienta taladradora.....	39
Taladrado de una matriz	41

Mantenimiento

Limpieza y mantenimiento de la RT3422.....	43
Forma de desmontar la herramienta	43
Modo de limpiar las piezas.....	43
Procedimiento para ensamblar la herramienta.....	43

Servicio y reparaciones	44
--------------------------------------	----

Hoja de Apuntes	45
------------------------------	----

Garantía vitalicia	carátula posterior
---------------------------------	--------------------

Información general de seguridad

¡ADVERTENCIA! Lea y comprenda todas las instrucciones. Pueden ocurrir golpes eléctricos, incendios y/u otras lesiones personales graves si no se siguen todas las instrucciones detalladas a continuación.

¡GUARDE ESTAS INSTRUCCIONES!

Seguridad en la Zona de Trabajo

- **Mantenga su área de trabajo limpia y bien iluminada.** Los bancos de trabajo desordenados y las zonas oscuras invitan a que se produzcan accidentes.
- **Cuando haga funcionar la herramienta de taladrado, mantenga apartados a los espectadores, niños y visitantes.** Las distracciones pueden causar que pierda el control.

Seguridad personal

- **Manténgase alerta, preste atención a lo que está haciendo y use sentido común cuando trabaje con una herramienta. No la use si está cansado o se encuentra bajo la influencia de drogas, alcohol o medicamentos.** Sólo un breve descuido mientras hace funcionar una herramienta puede resultar en lesiones personales graves.
- **Vístase adecuadamente. No lleve ropa suelta ni joyas. Amarre una cabellera larga.** Mantenga su cabello, ropa y guantes apartados de las piezas en movimiento. La ropa suelta, las joyas o el pelo largo pueden engancharse en la piezas móviles.
- **No sobreextienda su cuerpo. Mantenga sus pies firmes en tierra y un buen equilibrio en todo momento.** Al mantener el equilibrio y los pies firmes, tendrá mejor control sobre la herramienta en situaciones inesperadas.
- **Use equipo de seguridad. Siempre lleve protección para la vista.** Cuando las condiciones lo requieran, debe usar mascarilla para el polvo, calzado de seguridad antideslizante, casco duro o protección para los oídos.

Uso y Cuidado de la Herramienta

- **No fuerce la herramienta. Use la herramienta correcta para el trabajo que va a realizar.** La herramienta adecuada hará mejor el trabajo y con mayor seguridad, a la velocidad para la cual fue diseñada.
- **Almacene las herramientas que no estén en uso, fuera del alcance de los niños y de otras personas**

sin entrenamiento. Las herramientas son peligrosas en las manos de usuarios no capacitados.

- **Las herramientas deben ser mantenidas cuidadosamente. Mantenga las herramientas de corte limpias y bien afiladas.** Las herramientas con filos de corte agudos mantenidas debidamente tienen menos tendencia a agarrarse y son más fáciles de controlar.
- **Verifique si las piezas móviles están desalineadas o agarradas, si hay piezas quebradas y si existe cualquiera otra condición que pueda afectar el funcionamiento de la herramienta. En caso de estar dañada, antes de usar la herramienta, hágala componer.** Numerosos accidentes son causados por herramientas que no han recibido un mantenimiento adecuado.
- **Solamente use accesorios recomendados por el fabricante para su modelo.** Los accesorios que pueden ser adecuados para una herramienta pueden ser peligrosos al usárselos en otra herramienta.
- **Mantenga los mangos limpios y secos, libres de aceite y grasa.** Esto permite disponer de un mejor control sobre la herramienta.

Servicio

- **Los trabajos de servicio a la herramienta sólo deben ser efectuados por personal de reparación calificado.** El servicio o mantenimiento practicado por personal no calificado para efectuar reparaciones puede resultar en lesiones.
- **Cuando repare una herramienta debe usar únicamente repuestos o piezas de recambio idénticas. Siga las instrucciones en la Sección de Mantenimiento de este manual.** Pueden producirse choques eléctricos o lesiones personales si no se emplean piezas y partes autorizadas o si no se siguen las instrucciones de mantenimiento.

Información específica de seguridad

▲ ADVERTENCIA

¡Lea y atégase a los rótulos de seguridad en la máquina! Antes de usar esta herramienta de taladrado, conozca la ubicación y las funciones de todos sus mandos.

Capacitación del operador

▲ ADVERTENCIA

Es potencialmente peligroso cortar un tubo que contiene líquidos o gases a presión. Para mantener un ambiente de trabajo seguro y evitar serias lesiones personales, al usarse este equipo deben seguirse los procedimientos correctos.

Ninguna persona debe hacer uso de esta herramienta si no está completamente entrenada para hacerla funcionar correctamente y si no está consciente de los peligros inherentes a los trabajos en tuberías que contienen líquidos o gases a presión.

Quién adquiera este equipo es responsable de la manera en que se le emplee y del entrenamiento y competencia de sus operadores.

Si en cualquier momento surge alguna dificultad al hacer funcionar este equipo, por favor ¡contacte a Ridge Tool de inmediato!

▲ ADVERTENCIA



- Lea el Manual del Operador. El operario debe estar adecuadamente entrenado antes de usar esta herramienta.
- Use protección para la vista.
- No sobrepase los límites de presión y temperatura de la herramienta ni de ninguno de sus acoplamientos, válvulas o conexiones. Sólo taladre tuberías cuyo contenido se conoce.

**Herramienta para taladrar tuberías a presión
Modelo RT 3422**

Agua: 500 psig @ 40° C (100°F)

Aire, vapor, gas natural: 150 psig @ 172°C (370°F)

Seguridad de la herramienta para taladrar

1. **Esta herramienta para taladrar tuberías a presión debe ser usada por personal entrenado solamente.** El uso incorrecto de esta herramienta puede causar serias lesiones personales, daños al medioambiente y/o daños a la propiedad privada.
2. **Siempre lleve protección para los ojos.** Las cortadoras y las brocas son duras y causan destrozos.

3. **No exceda los límites recomendados para la presión.** Taladrar una matriz cuya presión es superior al límite máximo que soporta esta herramienta o un adaptador, podría resultar en la falla de alguno de ellos.
4. **Sólo perfore matrices que conducen agua, aire, vapor de agua o gas natural a presión.** Otros materiales pueden atacar las selladuras de esta herramienta.
5. **Cuando use herramientas motorizadas para accionar esta herramienta para taladrar, comprenda y siga todas las instrucciones de seguridad relacionadas con dicha herramienta a motor. Generalmente los trinquetes de aire son una opción más segura, ya que las herramientas eléctricas pueden producir explosiones y choques eléctricos.**
 - **No deben emplearse herramientas eléctricas para taladrar cañerías que llevan gas natural.** Sólo use trinquetes neumáticos o manuales. Las herramientas eléctricas producen chispas que pueden encender el gas.
 - **Las herramientas provistas de una conexión a tierra deben ser enchufadas a una salida de corriente debidamente conectada a tierra.** En el caso de que la herramienta sufra una avería eléctrica o de otro tipo, la conexión tierra proporciona una vía de baja resistencia para conducir la electricidad lejos del usuario.
 - **Las herramientas eléctricas deben enchufarse a salidas de corriente protegidas con un Interruptor de Circuito cuando Falla la Conexión a Tierra (GFCI).** Ella reduce el riesgo de que se produzcan choques eléctricos.
6. **Sólo use brocas o taladros eléctricos de ángulo recto o trinquetes neumáticos para hacer girar a la cortadora.** La herramienta debe ser accionada a una velocidad controlada. Si no se usa un accionamiento de ángulo recto o no se controla cuidadosamente la velocidad de alimentación de la herramienta, es posible que la cortadora se detenga repentinamente haciendo que el accionamiento de la herramienta motorizada se doble de súbito.
7. **La matriz que se va a taladrar debe estar montada firmemente para evitar que se mueva.** El movimiento puede causar la rotura de la herramienta durante la perforación.
8. **Siga todas las normas y precauciones de seguridad pertinentes al área de trabajo donde se encuentre.**

- **Cuando trabaje bajo la superficie, disponga de una ruta de escape antes de comenzar a taladrar.** Dichas precauciones reducen el riesgo de lesiones.
 - **Cuando se encuentre trabajando sobre un andamio o elevador, tanto el operario, la herramienta, así como el conjunto del accionamiento deben afirmarse con seguridad.** Ello reduce el riesgo de lesiones debido a caídas de personas o herramientas.
9. **Descargue la presión de la válvula de purga lejos de la zona de trabajo y del personal presente. Cuando trabaje en medio de equipos y personas, emplee un acoplamiento de manguera en la válvula de purga para controlar la descarga del fluido.** La descarga dirigida hacia el personal en la obra puede ocasionar serias lesiones.
 10. **No use esta herramienta para sujetar al operario.** Así se rompe o se daña la herramienta.
 11. **La herramienta está hecha para taladrar líneas a presión.** Siga las instrucciones en el Manual del Operador para conocer sus usos. Usarla para otras tareas aumenta el riesgo de que se produzcan lesiones.
- ¡NOTA! Guarde este Manual en el bolsillo provisto en la caja de la herramienta.**

Descripción, especificaciones y equipo estándar

Descripción

La herramienta para taladrar tuberías a presión Modelo RT 3422 taladra un orificio en tubos de acero, plástico, hierro flexible y hierro fundido mientras se encuentran a presión, empleando una válvula tipo silla de montaje o un niple soldado. La taladradora es capaz de taladrar líneas de agua a presiones de hasta 500 psi y matrices de vapor, aire y gas natural a presiones de hasta 150 psi. El Modelo RT 3422 pesa sólo 18 libras y puede taladrar orificios de 3/4 a 2", fácil y rápidamente. La cortadora gira gracias a un trinquete manual de 11/16" o puede accionarse con un trinquete neumático o un taladro de ángulo recto. Un cilindro autolimpiante con rosca de 29 permite alimentar fácilmente la cortadora en el tubo y, cuando se efectúa el corte, es capaz de resistir la fuerza del tubo a presión.

Especificaciones

Capacidad de la herramienta de taladrado.....3/4 a 2"

Montaje	tipo silla de montaje, niple soldado, Weld-O-Let™, Thread-O-Let™
Carrera de la cortadora.....	14" máx.
Actuador	Trinquete manual, trinquete neumático, o taladro de ángulo recto
Tipo de tubo	acero, plástico, hierro flexible, hierro fundido
Alimentación de la cortadora.....	giro de la camisa alrededor de un cilindro roscado de 29
Presiones	agua 500 psig @ 100°F vapor, aire, gas natural 150 psi @ 370°F
Peso	17 libras, sólo herramienta y trinquete

Equipo estándar

Sólo máquina RT3422.....	Cuerpo de la herramienta con válvula de purga
Conjunto de RT3422 de 3/4 a 1"	Cuerpo de la herramienta con válvula de purga Caja de la herramienta Llave de trinquete Pequeña extensión para el eje Extensión larga para el eje Arbol de la sierra de orificio pequeño Arbol de la sierra de orificio grande Adaptadores para válvula de 3/4, 1" Dos llaves de lomo o inglesas
Conjunto de RT3422 de 3/4 a 2"	Cuerpo de la herramienta con válvula de purga Caja de la herramienta Llave de trinquete Pequeña extensión para el eje Extensión larga para el eje Arbol de la sierra de orificio pequeño Arbol de la sierra de orificio grande Adaptadores para válvula de 3/4, 1, 1-1/4, 1-1/2, y 2" Dos llaves de lomo o inglesas

Instrucciones para el funcionamiento

1. Determine con precisión cuál tubo necesita horadar. Recorra la tubería hasta donde más pueda para asegurar que efectivamente es la que requiere perforarse. Anote la materia (lo que está dentro del tubo) y la presión a que se encuentra la materia en la Hoja de Apuntes, al final de este manual.
2. Determine exactamente dónde necesita taladrarse el tubo. Tome en consideración no sólo la mejor ruta para la nueva tubería sino también los efectos que puedan causar las virutas producidas durante la instalación en el equipo que estará aguas abajo. Considere la orientación que tendrá la nueva conexión: al taladrarse la parte superior de la tubería pueden caer virutas a su interior, mientras que si se taladra la parte inferior de la tubería las virutas probablemente caerán hacia el interior de la herramienta. Si se emplea el conjunto de la Válvula de Purga, y permanece abierto durante todo el taladrado, las virutas serán arrastradas hacia afuera.
3. Determine si para montar la válvula a la matriz se usará un dispositivo de silla de montar o un "Thread-O-Let™" o "Weld-O-Let™" de soldadura in situ. Considere las ventajas y desventajas del uso de cada uno de ellos. Anote los datos de la conexión en la Hoja de Apuntes, al final de este manual.

Los "Thread-O-Let™" o "Weld-O-Let™" sólo pueden soldarse a un tubo metálico compatible y soportan un límite máximo de presión. No obstante, es casi imposible asegurar la entereza de una soldadura en el tubo sin el empleo de rayos-X. La materia dentro del tubo puede afectar en forma adversa a la penetración de la soldadura porque la enfría o, peor aún, la soldadura puede adentrarse demasiado en el tubo permitiendo que la presión del interior del tubo escape por la poza caliente, fundida de la soldadura. Sirve una silla de montaje en cualquier tipo de tubería que tenga un diámetro exterior compatible. Las sillas de montaje para este servicio tienen un límite de presión conocido, pero si por cualquier motivo fallan los refuerzos o las cubrejuntas de la soldadura, este tipo de junta puede fallar también.

4. Seleccione cuál "corporation stop" o válvula se usará. ("Corporation stop" es una válvula con una agarradera cuadrada que permite el empleo de una llave en vez de un volante-manubrio para abrir y cerrar la válvula. Esto, para asegurar que la válvula no será abierta inadvertidamente o por personas sin autorización). Puede usarse cualquier válvula que tenga un límite de presión adecuado, que esté hecha de un

materias compatibles con la materia o fluido al interior del tubo, que sea lo suficientemente corta y que se abra de manera que permita a la cortadora atravesarla sin dificultad. Sólo sirven las válvulas de entrada de bola, de tapón o de compuerta. Antes de montar la válvula y la herramienta, asegure que la cortadora pueda pasar por la válvula. Si no cabe, se requiere otro tipo o marca de válvula.

5. Ensamble la herramienta y determine si el taladrado es factible. Hágalo para confirmar si la configuración que se ha planificado permitirá el recorrido necesario para realizar la perforación o si se perforará demasiado lejos traspasándose el otro lado del tubo. Seleccione el adaptador para válvula, la barrena guía, la extensión y el adaptador para sierra adecuados de la Tabla de Selección de Adaptadores para Válvulas. El Diagrama de Instalación ayudará al operador a determinar cuál equipo necesita para realizar la perforación.
 - a) Después de asegurar que la herramienta se encuentra en la posición más corta y abatida y de seleccionar la extensión del tamaño adecuado, sostenga el husillo de sus partes planas en el extremo y atornille la extensión al final del husillo. Sólo necesita atornillarlo con la mano ya que las roscas se apretarán durante el funcionamiento de la herramienta. (Figura 1).



Figura 1 – Montaje de la extensión

- b) Revise el anillo de sellado en forma de O ubicado dentro del adaptador para válvula (cámbielo si está dañado) y, sujetando el tornillo de alimentación de bronce de sus partes planas, encaje el adaptador para válvula en el tornillo de alimentación de bronce. Esto debe hacerse a mano porque el operador primero sentirá cómo encaja el anillo de sellado y luego la abrupta detención del adaptador cuando el tornillo de alimentación de bronce toca fondo dentro del adaptador para válvula. (Figura 2).

Selección de adaptadores para válvulas										
Dimensión de la válvula	Dimensión de la barrena	Adaptador CTS	Adaptador hembra NPT	Adaptador macho NPT	Adaptador hembra BSPT	Adaptador macho BSPT	Dimensión de la guía	Extensión	Adaptador para sierra	Comentarios
3/4"	0,625	76057	76087	76132	76177	76222	0.250	76047	76037	Configuración preferente
	0,688									
1"	0,750	76067	76092	76137	76182	76227	0.250	76047	76037	
	0,813									
	0,875									Configuración preferente
	0,938									
1-1/4"	1,000	76072	76097	76142	76187	76232	0.250	76047	76037	
	1,063									
	1,125									Configuración preferente
	1,188									
1-1/2"	1,250	76077	76102	76147	76192	76237	0.375	76052	—	Adaptador especial para sierra
	1,313								76042	Adaptador especial para sierra
	1,375									Configuración preferente
	1,438									
2"	1,500	76082	76107	76152	76197	76242	0.375	76052	76042	
	1,563									
	1,625									
	1,688									
	1,750									Configuración preferente
	1,813									
	1,875									

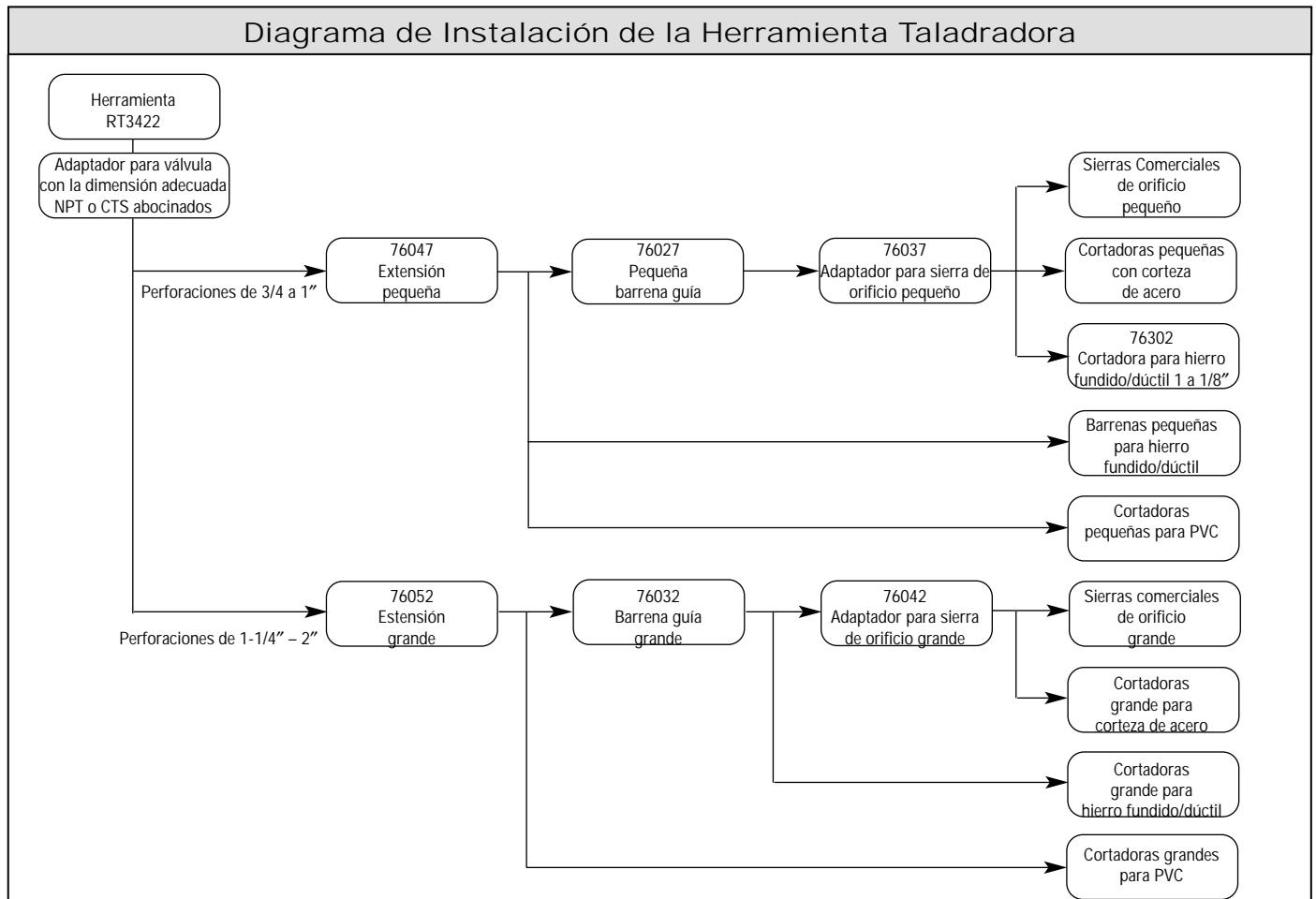




Figura 2 – Montaje del adaptador para válvula

c) Seleccione la cortadora que va a usar en la próxima tarea con la ayuda de la tabla en la página siguiente. Tome nota de que la barrena guía y el adaptador para la sierra pueden no necesitarse. Ello dependerá del tamaño de cortadora que se elija. Si la cortadora seleccionada requiere de un adaptador para sierra de orificio, atorníllela al extremo de la extensión. Las cortadoras de PVC y de hierro fundido o hierro dúctil no necesitan un árbol para la sierra de orificio. Como se dijo anteriormente, sólo apriete manualmente. (Figuras 3 y 3a).



Figura 3 – Montaje de un adaptador de sierra para orificios pequeños



Figura 3a – Montaje de un adaptador de sierra para orificios grandes

d) Inspeccione la cortadora seleccionada para esta tarea en particular. Asegure que se encuentra en buenas condiciones y atorníllela al árbol para sierra de orificio, si lo hay, o directamente a la extensión. Como se dijo, sólo apriete a mano. (Figuras 4 y 4a).



Figura 4 – Montaje de la cortadora en el árbol para sierra de orificio pequeño



Figura 4a – Montaje de la cortadora en el árbol para sierra de orificio grande

e) Revise la barrena guía seleccionada para el trabajo que se hará con el fin de asegurar que se encuentra en buenas condiciones. Preste especial atención al dispositivo de retención del cupón, porque es posible que el cupón no pueda ser recuperado si el dispositivo llega a dañarse. (Cupón es el disco de metal o de plástico que se desprende del tubo al cortarlo). Introduzca esta barrena guía dentro del adaptador para sierra de orificio, si lo hay, o directamente dentro de la cortadora. Asegure la barrena guía en su lugar con el tornillo de retención ubicado en la parte plana de la guía y apriételo firmemente. (Figura 5).



Figura 5 – Montaje de la barrena guía

Tabla de Selección de Cortadoras para la Herramienta Taladradora RIDGID					
Dimensión de la barrena	Dimensión fraccional	RIDGID Bi-Metal <i>(Funcionamiento motorizado solamente)</i>	RIDGID acero <i>(Funcionamiento manual solamente)</i>	RIDGID cortadoras de hierro fundido/dúctil <i>(Funcionamiento motorizado o manual solamente)</i>	RIDGID cortadoras de PVC <i>(Funcionamiento manual solamente)</i>
0,625	5/8	R10	76267	76292	76317
0,688	11/16	R11			
0,750	3/4	R12			
0,813	13/16	R13			
0,875	7/8	R14	76272	76297	76322
0,938	15/16	R15			
1,000	1	R16			
1,063	1-1/16	R17			
1,125	1-1/8	R18	76277	76302	76327
1,188	1-3/16	R19			
1,250	1-1/4	R20			
1,313	1-5/16	R21			
1,375	1-3/8	R22	76282	76307	76332
1,438	1-7/16	R23			
1,500	1-1/2	R24			
1,563	1-9/16	R25			
1,625	1-5/8	R26			
1,688	1-11/16	R27			
1,750	1-3/4	R28	76287	76312	76337
1,813	1-13/16	R29			
1,875	1-7/8	R30			

- f) Mida la distancia desde un punto dado, las caras planas (que sirven para que se encaje una llave) del tornillo de retención, por ejemplo, hasta el extremo de la camisa. En la *Figura 6*, abajo, la distancia es de 1 pulgada.
- g) Atornille la camisa nuevamente sobre el tornillo de alimentación de bronce. (Mirando a lo largo del tubo desde su extremo con casquete hacia el extremo para la barrena, la camisa gira en el sentido contrario al de las manecillas del reloj para extender la herramienta). Gire la camisa por completo hasta que se detenga. Nuevamente mida la distancia desde un punto como las caras planas del tornillo de alimentación, hasta el final de la camisa. En la *Figura 7* es de 15" Reste la distancia obtenida en el paso previo (h) de esta última. El resultado es una carrera total de 14 pulgadas. Note que la distancia de la carrera o recorrido puede verse afectada por varias de las combinaciones de adaptadores para válvula y cortadoras. Anote la distancia de la carrera en la Hoja de apuntes en la página 45.

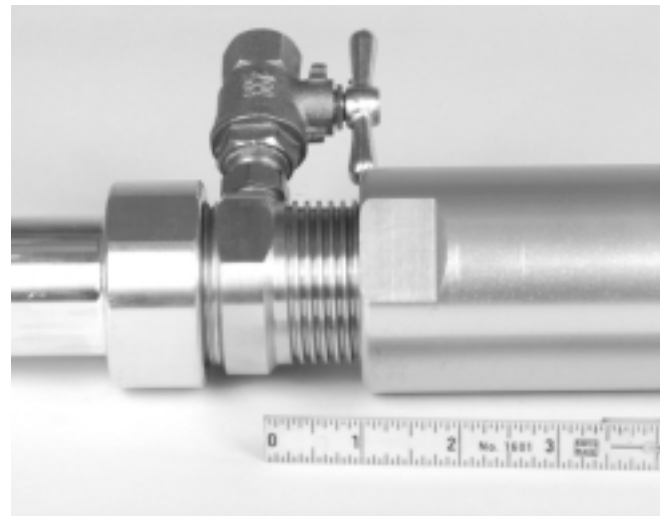


Figura 6 – Medición de la separación: 1 pulgada



Figura 7 – Medición del total de la carrera

- h) Junte la silla de montaje seleccionada con la matriz de acuerdo a las especificaciones del fabricante, o solda la "thread-o-let" o "Weld-O-Let™" seleccionada a la matriz cumpliendo todas las normas vigentes para soldar.
- i) Aplique sellador de tubo a las roscas del "corporation stop" o de la válvula y enrosque firmemente dentro de la silla de montaje o del "Thread-O-Let™" para asegurar que la ensambladura quede a prueba de fuga. Asegure que la válvula se encuentre en la posición de **CLOSED** (cerrada).
- j) Mida la distancia entre la superficie del tubo hasta el extremo de salida de la válvula, como se muestra en las Figuras 8 y 9. Este es el recorrido mínimo requerido antes de hacer contacto con el tubo que se va a taladrar. (En la ilustración que sirve de ejemplo, el recorrido es de 4 1/2"). Anote esta dimensión en la Hoja de Apuntes al final de este manual. Si esta distancia está dentro de una pulgada de la distancia de recorrido o carrera obtenida en el paso (g), es posible que la herramienta no cuente con el espacio suficiente para taladrar sin peligro. Si es así, esta operación no es factible y debe configurarse nuevamente con otra válvula y/o silla de montaje.
- k) Mida la distancia desde la superficie más alejada del tubo hasta el extremo de salida de la válvula como se muestra en la Figura 10. Este es el recorrido máximo permitido antes de perforar el otro lado, más alejado, del tubo que se va a taladrar. (En la ilustración de ejemplo el recorrido es de 10 1/2"). Anote esta dimensión en la Hoja de Apuntes al final de este manual. Si esta distancia es menor que la distancia de recorrido en el paso (g), entonces la herramienta puede efectuar una carrera que la lleve

a penetrar el lado opuesto del tubo. Esto es factible que ocurra en el caso ilustrado. Por lo tanto, esta operación debe realizarse con mucho cuidado para evitar problemas.



Figura 8 – Medición de la distancia de alejamiento de la válvula



Figura 9 – Medición de la distancia de alejamiento de la válvula

- l) Calcule la distancia ideal de penetración con el fin de llegar hasta el centromedio del tubo. Sume la dis-

tancia de alejamiento de la válvula en el paso (j) al recorrido máximo en el paso (k) y divida el resultado por dos. (En el ejemplo ilustrado, esto es 10 1/2" más 4 1/2" igual 15". Divida 15" por 2 y obtiene 7 1/2", la distancia ideal de penetración.

- m) Reste la distancia ideal de penetración, de la carrera total obtenida en el paso (g). (En el ejemplo ilustrado, esto es 14" de carrera total menos 7 1/2" de recorrido permitido, lo que da 6 1/2" como distancia restante que no puede utilizarse).

¡ADVERTENCIA!

Las mediciones equivocadas pueden causar la perforación del otro lado del tubo.

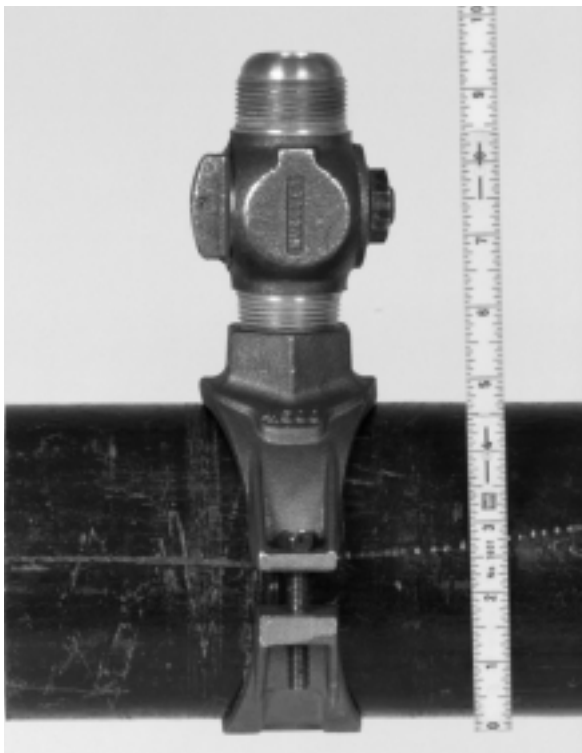


Figura 10 – Medición del recorrido máximo

Taladrado de una matriz

1. Si el conjunto de la válvula de purga no se va a usar, asegure que la válvula de purga esté cerrada o que un tapón de 3/8" haya sido instalado. Aplique sellador de tubo para sellar las roscas en la válvula de purga y en el tapón.
2. Acople la herramienta de taladrado, completamente ensamblada y extendida, a la rosca en la salida de la válvula, atornillándola al adaptador de la válvula. (Figura 11) Se debe aplicar sellador de tubo en los adaptadores de válvula NPT y BSPT, dentro de la en-

sambladura provisoria entre la válvula y el adaptador para la válvula. Luego apriete la unión firmemente para evitar fugas. La conexión entre el adaptador para válvula y la válvula cuando se usan adaptadores CTS (dimensiones de tubo de cobre -abocinado o de compresión-) no requiere sellador de tubo, pero debe tener en su lugar la empaquetadura o arandela adecuada y en buen estado.

3. Abra, cierre y vuelva a abrir la válvula o el "corporation stop" para asegurar que la barrena guía no interfiere con el funcionamiento de la válvula. En el caso de que la barrena interfiera en el cierre de la válvula, cambie la válvula e inicie todo este proceso nuevamente.

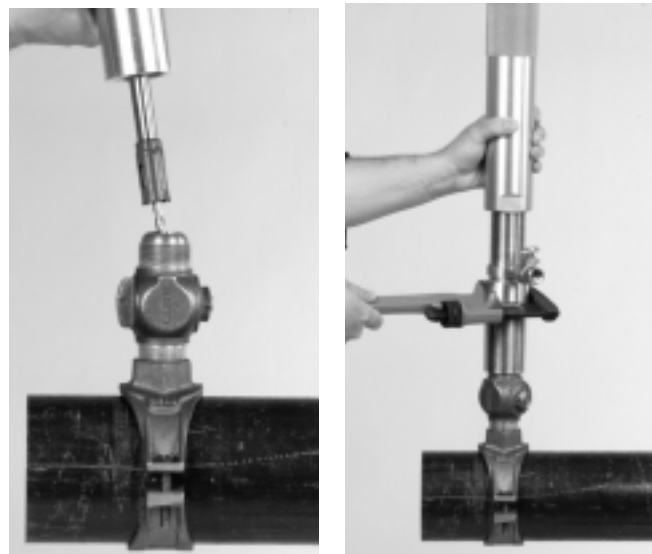


Figura 11 – Conexión de la herramienta a la válvula

4. Si se va a usar la válvula de purga, puede conectarse una manguera para dirigir la descarga. Recuerde que debe sujetar el extremo libre de la manguera para controlar el rumbo de la descarga. Note que la descarga es la misma materia que se encuentra dentro del tubo.

¡ADVERTENCIA!

Cerciórese de que nadie se encuentre en el trayecto de la descarga que pueda salir por la válvula de purga en el caso de que se abra accidentalmente. La presión puede ser altísima y ocasionar serias lesiones.

5. Gire la camisa en el sentido de las manecillas del reloj hasta que la cortadora se pose suavemente sobre la matriz. Luego retroceda la camisa con una vuelta. Con la llave de trinquete o una herramienta motorizada, gire el eje de accionamiento en el hexágono de 11/16" mientras ejerce presión continua

girando la camisa. No ejerza demasiada presión sobre la cortadora y el tornillo de alimentación. Cuando se presiona suave y levemente con la alimentación, se logran cortes de superior calidad. (Figura 12)

¡ADVERTENCIA!

La alimentación excesiva de la cortadora puede ocasionar una retroacción de alto momento torsional hacia el operador y podría dislocar o lesionar su brazo.

Continúe taladrando a través de la matriz hasta que no sienta resistencia mientras avanza la alimentación. Deténgase inmediatamente si sólo queda por recorrer el trecho inutilizable de la carrera. Si se avanza más allá de este punto podría horadarse el otro lado del tubo.

¡ADVERTENCIA!

No taladre por la parte inferior del tubo.

6. Se ha completado el taladrado del tubo. Ahora, la válvula, la silla de montaje y la herramienta están llenas de la materia que fluye por la tubería. Gire la camisa en el sentido contrario al de las manecillas del reloj hasta que todas las roscas del tornillo de alimentación de bronce estén expuestas y el tornillo no pueda seguir girando. Esta acción ha retractado completamente a la cortadora y al cupón. Cierre el "corporation stop" o la válvula. Si se hace difícil cerrar la válvula (porque hay virutas, producto del taladrado), acople una manguera al conjunto de la válvula de purga para "arrastrar" la mayor cantidad de virutas posible. Luego con un vaivén abra y cierre la válvula hasta que pueda cerrarse completamente. Es esencial que la válvula quede cerrada antes de proseguir. Si el conjunto de la válvula de purga está en uso, se lo puede cerrar también y quitarse la manguera. Note que la manguera contendrá restos de la misma materia que está dentro del tubo.
7. Extraiga el trinquete o herramienta a motor del hexágono en el eje de accionamiento. Coloque una llave en la válvula para evitar que se desconecte mientras se desatornilla con otra llave el adaptador para válvula de la válvula misma. Esté preparado por si la herramienta se desprende repentinamente y derrama cualquier materia que contenga. Si el tubo taladrado estaba seco, sepa que la cortadora puede estar caliente.
8. Ahora pueden acoplarse nuevas cañerías al extremo de salida de la válvula. Después, lo único que se requiere es abrir la válvula para activar la nueva red.

9. Para extraer el cupón de la cortadora, gire la camisa en el sentido de las manecillas del reloj hasta que la cortadora quede expuesta. Las cortadoras de corteza tienen un agujero o ranura para empujar el cupón hacia afuera. Si es necesario, extraiga la cortadora para poder sacar el cupón con mayor facilidad. Si se ha usado una barrena guía para la retención del cupón, comprima el resorte de retención para que el cupón resbale hacia afuera. Después de efectuar todos los taladrados de esta configuración, siga con el paso 10. Si se necesita taladrar más veces, reponga la cortadora en su lugar y comience nuevamente desde el paso 1.
10. Extraiga el adaptador para válvula, taladro o cortadora, barrena guía (si se usó), adaptador para sierra (si se usó) y la extensión, fuera de la herramienta. Gire la camisa en el sentido de las manecillas del reloj hasta que todas las roscas del tornillo de retención de bronce queden ocultas y la herramienta esté completamente abatida. Limpie todos los componentes, séquelos y guárdelos en la caja de herramientas.



Figura 12 – Giro de una mano en el trinquete y la otra en la herramienta

Mantenimiento

Limpieza y mantenimiento de la RT 3422

Esta tarea sólo debe realizarla un técnico de reparaciones calificado.

Forma de desmontar la herramienta

1. Gire la camisa en el sentido de las manecillas del reloj hasta que todas las roscas del tornillo de retención de bronce queden ocultas y la herramienta esté completamente abatida. Ponga la herramienta horizontalmente sobre una mesa para que sus partes no se caigan.
2. Ubique y extraiga el tornillo de retención ubicado en el costado del casquete rojo.
3. Ubique y extraiga el anillo de retención y la arandela del extremo del casquete rojo.
4. Desatornille y extraiga el casquete terminal rojo. Note que cualquier materia que haya eludido a la selladura se almacenará bajo el casquete y podrá derramarse en este momento. No extraiga el cojinete sellado (que no necesita mantenimiento) del casquete salvo que se lo vaya a recambiar. Si debe extraer el cojinete, emplee dos clavijas de 7/64" de diámetro e igual longitud para empujar suavemente el cojinete hacia afuera. Si se emplea un martillo para hacer esto, se dañará el nicho de precisión donde se aloja el cojinete en el casquete.
5. Ubique el casquete de sellado y extraiga los dos tornillos de seguridad y luego desatornille y extraiga el casquete de sellado mismo. Extraiga el anillo de sellado del interior del extremo del tornillo de alimentación de bronce que recién quedó expuesto. Extraiga las dos selladuras de grafito desde el mismo lugar. Si las selladuras de grafito están dañadas o gastadas, elimínelas y repóngalas con dos nuevas. Las selladuras deben cambiarse, generalmente, cada 20 taladrados o cada seis meses, según cuál acontezca primero.
6. Empuje el husillo desde el extremo hexagonal y sáquelo por el otro extremo de la herramienta. Gire la camisa en el sentido contrario al de las manecillas del reloj hasta que todas las roscas del tornillo de retención de bronce queden expuestas y la camisa se separe del tornillo de retención de bronce. Con ello se termina el desmontaje de la herramienta.

Modo de limpiar las piezas

1. Lave las partes en un tanque desgrasador y limpie cada pieza por separado. Séquelas.
2. Las selladuras no pueden lavarse y usarse nuevamente.
3. Tenga cuidado de no lavar las piezas con materiales que, de alguna manera, las corroan o desgasten.

Procedimiento para ensamblar la herramienta

1. Revise el tornillo de retención de bronce y la camisa para detectar cualquier daño. Recámbielos si es necesario. Lubrique las roscas de 29 en el tornillo de retención de bronce con grasa. Gire la camisa en el sentido de las manecillas del reloj sobre el tornillo de retención de bronce hasta que todas las roscas queden ocultas y la herramienta esté completamente abatida. Ponga la herramienta horizontalmente sobre una mesa para que sus partes no se caigan.
2. Revise el husillo para detectar cualquier daño y cámbielo si es necesario. Inserte el husillo, con su parte hexagonal primero, en el extremo del tornillo de retención de bronce donde se encuentra el adaptador. Deslícelo hacia adentro hasta que tope.
3. Use las selladuras originales si no están dañadas, gastadas o contaminadas. Si lo están, recámbielas. Inserte dos selladuras de grafito en el nicho ubicado en el casquete del tornillo de retención de bronce para que las selladuras rodeen al husillo del eje. Colóquelas en el nicho con las juntas de tope escalonadas en 180° para prevenir puntos débiles en la selladura.
4. Revise el anillo de sellado por si está dañado y cámbielo si es necesario. Coloque el anillo de sellado sobre las selladuras con la cara angulada en contacto con las selladuras y el diámetro reducido del anillo enfrentando el extremo hexagonal del husillo.
5. Inspeccione el casquete de sellado por si está dañado y cámbielo si es necesario. Atornille el casquete de sellado parcialmente en el tornillo de retención de bronce. Atornille, sin apretar, los dos tornillos de seguridad en el casquete de sellado.
6. Regule la presión de la selladura apretando el casquete progresivamente con una llave mientras trata de girar el husillo con una segunda llave. Cuando sienta resistencia para girar el husillo, afloje la tuerca de sellado sólo lo suficiente como para eliminar gran parte de la resistencia. Fije la tuerca de sellado en su lugar con los dos tornillos de seguridad.

7. Revise el conjunto del casquete/cojinete por si tiene daños y cámbielo si es necesario. Coloque el conjunto del casquete/cojinete en el husillo del eje, que se encuentra saliente; luego, la arandela y fíjela en su lugar con el anillo de retención. Empuje el conjunto del husillo/casquete hacia el interior de la camisa y atorníllelo. Para evitar que el casquete se desatornille accidentalmente, reténgalo en su lugar con el tornillo de seguridad que entra por el costado del casquete.
8. Limpie la herramienta para quitarle el exceso de lubricante y retorne la herramienta a su caja para que esté lista para usarla nuevamente.

Servicio y reparaciones

La sección "Limpieza y mantenimiento de la RT3422" incluye todas las recomendaciones necesarias para efectuarle servicio a esta herramienta, con excepción del recambio de su cojinete o rodamiento principal. Cualquier problema que no esté incluido en la sección "Limpieza y mantenimiento de la RT3422" de este manual y el recambio de dicho cojinete, debe ser resuelto por un técnico en reparaciones autorizado de RIDGID.

Si se hace necesario efectuar cualquier servicio a la herramienta, ésta debe ser enviada a un Servicentro Autorizado Independiente RIDGID o devuelta a la fábrica. Todas las reparaciones hechas por los establecimientos de servicio Ridge están garantizadas de estar libres de defectos de material y de mano de obra.

Si Ud. tiene cualquier pregunta relativa a la operación o funcionamiento de esta herramienta, llame o escriba a:

Ridge Tool Company
Technical Service Department
400 Clark Street
Elyria, Ohio 44035-6001
Tel: (800) 519-3456
E-mail: TechServices@ridgid.com

Para cualquier reparación o mantenimiento del aparato, contacte al Departamento de Servicio Técnico de Ridge Tool Company al (800) 519-3456 o visite nuestro sitio <http://www.ridgid.com>

Hoja de Apuntes

Rótulo con el Código de Identificación de la tubería	
Material dentro de la tubería	
Presión	
Tipo y Dimensiones de la tubería	
Persona que anota los datos	
Fabricante de la silla de montaje o del "Thread-O-Let™"	
Número de la pieza	
Tipo y dimensiones de la tubería de la silla de montaje (Debe tener iguales características a la tubería anotada anteriormente)	
Límite de presión de la silla de montaje o del "Thread-O-Let™"	
Dimensión del orificio de salida	
Fecha de la instalación/soldadura	
Instalación/soldadura hecha por	
Fecha de la inspección	
Instalación de la silla de montaje o del "Thread-O-Let™" certificada por	
Fabricante de la válvula	
Número de la pieza	
Tipo y dimensión de la válvula	
Presión límite de la válvula (debe exceder la presión dentro de la matriz)	
Válvula certificada por	
Datos sobre la separación <i>(vea la Figura 6)</i>	
Datos sobre la carrera o recorrido total <i>(vea la Figura 7)</i>	
Reste los datos de la "separación" de los datos de la "carrera o recorrido total" para obtener la "distancia total de recorrido"	
Distancia de alejamiento de la válvula <i>(vea las Figuras 8 y 9)</i> (Note si la "distancia total de recorrido" menos una pulgada es igual a la "distancia de alejamiento de la válvula" , entonces, ¡NO TALADRE!)	
Carrera máxima <i>(foto 10)</i> (Se advierte que si la "carrera máxima" es menor a la "distancia total de recorrido" es probable que se penetre el otro lado del tubo. Calcule bien cual es la "distancia restante que no puede utilizarse" <i>(Figura 12)</i> para taladrar sin peligro.	
Suma la "distancia de alejamiento de la válvula" a la "carrera máxima", divida este resultado por dos para obtener la "distancia ideal de penetración"	
Reste la "distancia ideal de penetración" de la "distancia total de recorrido" para obtener la "distancia restante que no puede utilizarse" <i>(Figura 12)</i> .	

**What is covered**

RIDGID® tools are warranted to be free of defects in workmanship and material.

How long coverage lasts

This warranty lasts for the lifetime of the RIDGID® tool. Warranty coverage ends when the product becomes unusable for reasons other than defects in workmanship or material.

How you can get service

To obtain the benefit of this warranty, deliver via prepaid transportation the complete product to RIDGE TOOL COMPANY, Elyria, Ohio, or any authorized RIDGID® INDEPENDENT SERVICE CENTER. Pipe wrenches and other hand tools should be returned to the place of purchase.

What we will do to correct problems

Warranted products will be repaired or replaced, at RIDGE TOOL'S option, and returned at no charge; or, if after three attempts to repair or replace during the warranty period the product is still defective, you can elect to receive a full refund of your purchase price.

What is not covered

Failures due to misuse, abuse or normal wear and tear are not covered by this warranty. RIDGE TOOL shall not be responsible for any incidental or consequential damages.

How local law relates to the warranty

Some states do not allow the exclusion or limitation of incidental or consequential damages, so the above limitation or exclusion may not apply to you. This warranty gives you specific rights, and you may also have other rights, which vary, from state to state, province to province, or country to country.

No other express warranty applies

This FULL LIFETIME WARRANTY is the sole and exclusive warranty for RIDGID® products. No employee, agent, dealer, or other person is authorized to alter this warranty or make any other warranty on behalf of the RIDGE TOOL COMPANY.

**Ce qui est couvert**

Les outils RIDGE® sont garantis contre tous vices de matériaux et de main d'oeuvre.

Durée de couverture

Cette garantie est applicable durant la vie entière de l'outil RIDGE®. La couverture cesse dès lors que le produit devient inutilisable pour raisons autres que des vices de matériaux ou de main d'oeuvre.

Pour invoquer la garantie

Pour toutes réparations au titre de la garantie, il convient d'expédier le produit complet en port payé à la RIDGE TOOL COMPANY, Elyria, Ohio, ou bien le remettre à un réparateur RIDGID® agréé. Les clés à pipe et autres outils à main doivent être ramenés au lieu d'achat.

Ce que nous ferons pour résoudre le problème

Les produits sous garantie seront à la discrétion de RIDGE TOOL, soit réparés ou remplacés, puis réexpédiés gratuitement ; ou si, après trois tentatives de réparation ou de remplacement durant la période de validité de la garantie le produit s'avère toujours défectueux, vous aurez l'option de demander le remboursement intégral de son prix d'achat.

Ce qui n'est pas couvert

Les défaillances dues au mauvais emploi, à l'abus ou à l'usure normale ne sont pas couvertes par cette garantie. RIDGE TOOL ne sera tenue responsable d'aucuns dommages directs ou indirects.

L'influence de la législation locale sur la garantie

Puisque certaines législations locales interdisent l'exclusion des dommages directs ou indirects, il se peut que la limitation ou exclusion ci-dessus ne vous soit pas applicable. Cette garantie vous donne des droits spécifiques qui peuvent être éventuellement complétés par d'autres droits prévus par votre législation locale.

Il n'existe aucune autre garantie expresse

Cette GARANTIE PERPETUELLE INTEGRALE est la seule et unique garantie couvrant les produits RIDGID®. Aucun employé, agent, distributeur ou tiers n'est autorisé à modifier cette garantie ou à offrir une garantie supplémentaire au nom de la RIDGE TOOL COMPANY.

**Qué cubre**

Las herramientas RIDGID están garantizadas contra defectos de la mano de obra y de los materiales empleados en su fabricación.

Duración de la cobertura

Esta garantía cubre a la herramienta RIDGID durante toda su vida útil. La cobertura de la garantía caduca cuando el producto se torna inservible por razones distintas a las de defectos en la mano de obra o en los materiales.

Cómo obtener servicio

Para obtener los beneficios de esta garantía, envíe mediante porte pagado, la totalidad del producto a RIDGE TOOL COMPANY, en Elyria, Ohio, o a cualquier Servicentro Independiente RIDGID. Las llaves para tubos y demás herramientas de mano deben devolverse a la tienda donde se adquirieron.

Lo que hacemos para corregir el problema

El producto bajo garantía será reparado o reemplazado por otro, a discreción de RIDGE TOOL, y devuelto sin costo; o, si aún resulta defectuoso después de haber sido reparado o sustituido tres veces durante el periodo de su garantía, Ud. puede optar por recibir un reembolso por el valor total de su compra.

Lo que no está cubierto

Esta garantía no cubre fallas debido al mal uso, abuso o desgaste normal. RIDGE TOOL no se hace responsable de daño incidental o consiguiente alguno.

Relación entre la garantía y las leyes locales

Algunos estados de los EE.UU. no permiten la exclusión o restricción referente a daños incidentales o consiguientes. Por lo tanto, puede que la limitación o restricción mencionada anteriormente no rija para Ud. Esta garantía le otorga derechos específicos, y puede que, además, Ud tenga otros derechos, los cuales varían de estado a estado, provincia a provincia o país a país.

No rige ninguna otra garantía expresa

Esta GARANTIA VITALICIA es la única y exclusiva garantía para los productos RIDGID. Ningún empleado, agente, distribuidor u otra persona está autorizado para modificar esta garantía u ofrecer cualquier otra garantía en nombre de RIDGE TOOL COMPANY.

Ridge Tool Company
400 Clark Street
Elyria, Ohio 44035-6001

