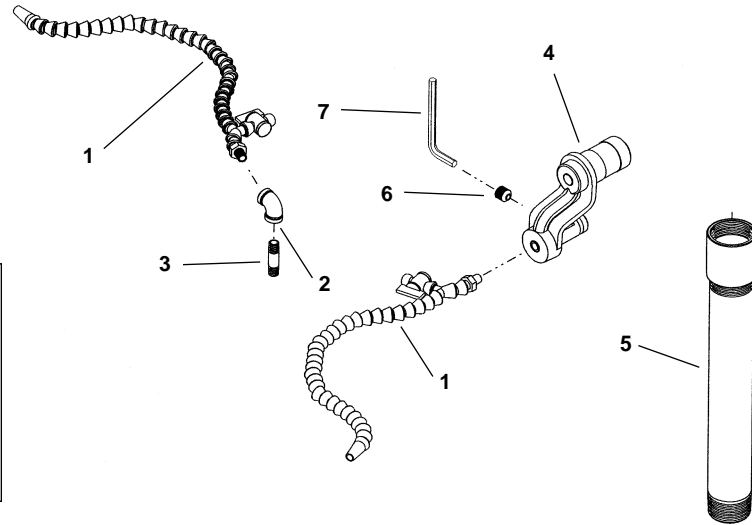


**No. 768 Drive Link Assembly**



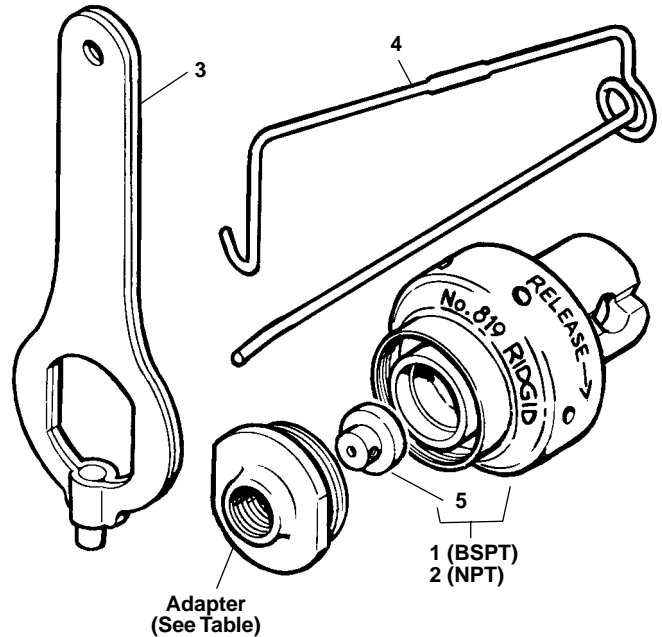
**NOTE: Order parts by Catalog Number only. DO NOT order by Reference Number.**

Ref. No.	Catalog No.	Description
—	42415	768 Drive Link Assy.
1	39845	Coolant Nozzle
2	39850	Nipple
3	39855	Elbow
4	36182	Drive Link Assembly
5	39515	Pipe Extension Assembly
6	39755	Set Screw
7	46190	1/4" Hex Wrench

**No. 819 Nipple Chuck and Adapters**

**Standard Pipe (NPT) Capacity: 1/8" – 2"**

Ref. No.	Catalog No.	Description
1	68285	Nipple Chuck Body with Insert (BSPT)
2	51025	Nipple Chuck with Insert (NPT)
3	51020	Nipple Chuck Wrench
4	51010	Carrier
5	51035	Insert



**Pipe Adapters**

Size (in.)	NPT Standard		BSPT Standard		Weight	
	Catalog No.	Model No.	Catalog No.	Model No.	lb.	kg.
1/8	51040	E-729	68190	E-729-B	1/2	0,23
1/4	51045	E-730	68195	E-730-B	1/2	0,23
3/8	51050	E-731	68200	E-731-B	1/2	0,23
1/2	51055	E-732	68165	E-732-B	1/2	0,23
3/4	51060	E-733	68170	E-733-B	1/2	0,23
1	51065	E-734	68175	E-734-B	1/2	0,23
1 1/4	51070	E-735	68180	E-735-B	1/2	0,23
1 1/2	51075	E-736	68185	E-736-B	1/2	0,23

**Bolts and Studs Adapters**

UNC Catalog No.	UNF Catalog No.	Description	UNC Catalog No.	UNF Catalog No.	Description
51080	51160	Stud Adapter 1/4"	51120	51200	Stud Adapter 7/8"
51085	51165	Stud Adapter 5/16"	51125	51205	Stud Adapter 1"
51090	51170	Stud Adapter 3/8"	51130	51210	Stud Adapter 1 1/8"
51095	51175	Stud Adapter 7/16"	51135	51215	Stud Adapter 1 1/4"
51100	51180	Stud Adapter 1/2"	51140	51220	Stud Adapter 1 3/8"
51105	51185	Stud Adapter 9/16"	51145	51225	Stud Adapter 1 1/2"
51110	51190	Stud Adapter 5/8"	51150	—	Stud Adapter 1 3/4"
51115	51195	Stud Adapter 3/4"	51155	—	Stud Adapter 2"