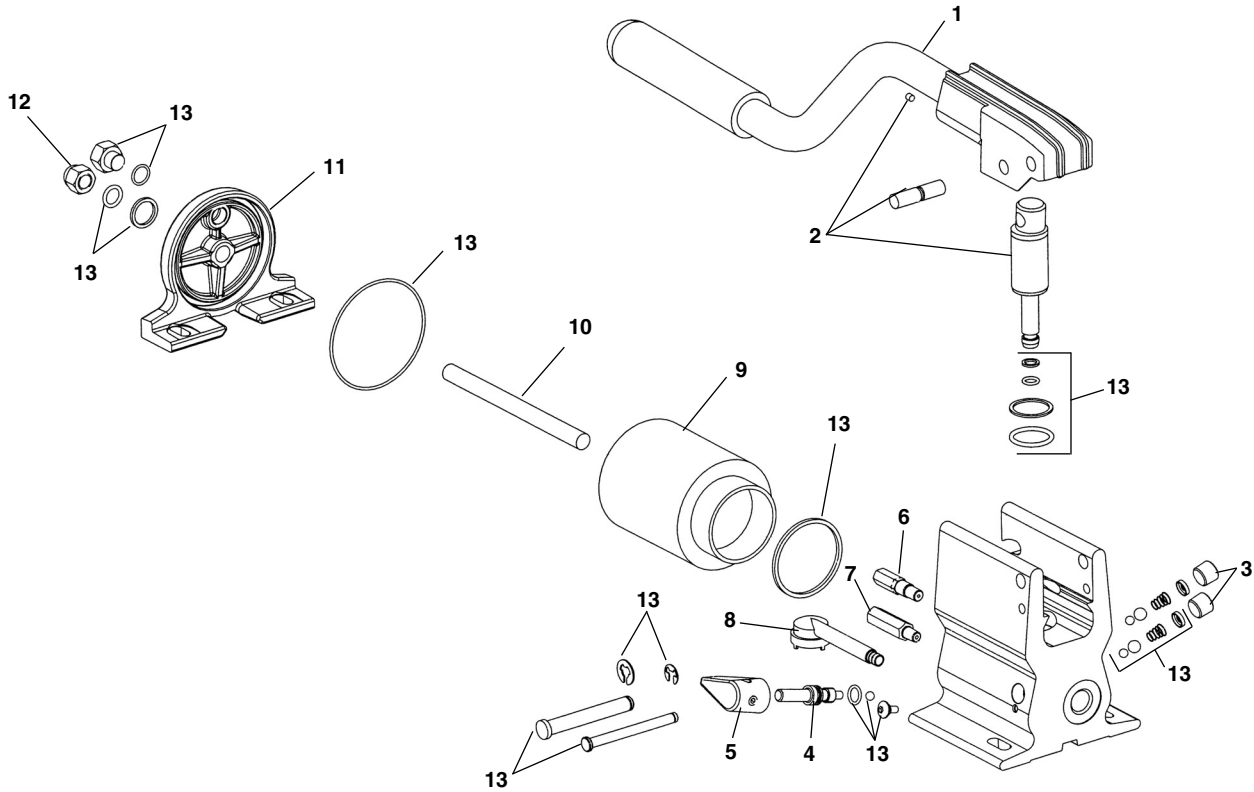


**NOTE: Order parts by Catalog Number only.
DO NOT order by Reference Number.**

| Ref. No. | Catalog No. | Description | Ref. No. | Catalog No. | Description | Ref. No. | Catalog No. | Description |
|----------|-------------|--|----------|-------------|--|-----------------------------------|-------------|--|
| 1 | 49117 | Depth Adjustment Nut | 22 | 27002 | Key, 3/16 Sq. x 1 1/16 | 36 | 49197 | Guard (Incls. Ref. 29) |
| 2 | 49112 | Depth Rod | 23 | 49107 | Set of 2 Slide Keys | 37 | 49127 | Bearing |
| 3 | 49122 | Spring | 24 | 51427 | Drive Shaft, 2-6" Sch. 10 & 40 | 38 | 49192 | Spiral Retaining Ring |
| 4 | 60995 | Flat Washer, 3/4" | | 51432 | Drive Shaft Assy. - same as above and includes Ref. 37, 49 | 39 | 49057 | Lower Roll Housing (Incls. Ref. 20) |
| 5 | 49262 | Label, Depth Adjustment | | 51817 | Drive Shaft, 8-12" Sch 10, 8" Sch 40 | 40 | 49177 | Retaining Ring |
| 6 | 49147 | Hydraulic Cylinder | | 51812 | Drive Shaft Assy. - same as above and includes Ref. 37, 49 | 41 | 49172 | Lock Pin |
| 7 | 49142 | Hydraulic Hose | 25 | 87600 | Roller Bearing (2) | 42 | 44915 | Spring |
| 8 | 46915 | Grease Fitting - 65 Deg. | 26 | 49187 | Spiral Retaining Ring | 43 | 49132 | Retaining Plate |
| 9 | 87695 | Seal | 27 | 91000 | Seal | 44 | 60265 | Hex Screw, 1/4" - 20 x 1/2" (3) |
| 10 | 87710 | Roller Bearing | 28 | 49157 | Drive Roll, 1" | 45 | 49667 | Hex Bolt 5/8" - 11 x 7" |
| 11 | 49062 | Upper Roll Housing (Incls. Ref. 9, 10, 16, 17, 20, 21) | | 49072 | Drive Roll, 1 1/4" - 1 1/2" | 46 | 61132 | Hydraulic Pump |
| 12 | 49152 | Lock Ring | | 51732 | Drive Roll, Copper 2" - 6" | 47 | 60005 | Hex Screw, 1/4" - 20 x 3/4" (4) |
| 13 | 49082 | Piston Rod Coupling | 29 | 49202 | Set of 2 Spacers | 48 | 27402 | Flat Washer (4) |
| 14 | 45192 | Set Screw, 1/4" - 20 x 3/8" | 30 | 49207 | Label, Warning | 49 | 49607 | Bearing Retaining Nut |
| 15 | 49162 | Groove Roll, 1" | 31 | 48292 | Mounting Base Kit - 300 | 50 | 49067 | Drive Shaft - for 1", 1 1/4", 1 1/2" rolls and copper roll 2" - 6" |
| | 49097 | Groove Roll, 1 1/4" - 1 1/2" | | 48392 | Mounting Base Kit - 1822 | | 49627 | Drive Shaft Assy. - same as above and includes Ref. 37, 38, 45 |
| | 49217 | Groove Roll 2" - 6" SC 10/40 | | 48397 | Mounting Base Kit - 1224 | | | |
| | 51822 | Groove Roll, 8" - 12" Sch. 10, 8" Sch. 40 | | 48402 | Mounting Base Kit - 535 | | | |
| | 50127 | Groove Roll, Copper 2" - 6" | | 60212 | Mounting Base Kit - 1233/300 | | | |
| 16 | 45265 | Set Screw, 1/4" - 20 x 1/2" | 33 | 45500 | Hex Screw, 1/2" x 1 1/4" (2) | Following Items Not Shown: | | |
| 17 | 87690 | Seal | 32 | 86445 | Lock Washer, 1/2" (2) | 49087 | | T-Handle Hex Key, 1/8" |
| 18 | 49102 | Upper Roll Shaft (Incls. Ref. 8, 22) | 34 | 49257 | Label, Warning | 49167 | | Coupling - 535/1822/1224 |
| 19 | 49252 | Hex Screw, 1/4" - 20 x 1" (2) | 35 | 49212 | Hex Screw, 1/4" - 20 x 1 3/4" (2) | 53987 | | Roll Storage Case |
| 20 | 46860 | Grease Fitting (4) | | | | 54317 | | Box Wrench |
| 21 | 87610 | Roller Bearing | | | | | | |

Hydraulic Pump, P392U001



**NOTE: Order parts by Catalog Number only.
DO NOT order by Reference Number.**

| Ref. No. | Catalog No. | Description |
|-----------------|--------------------|----------------------|
| 1 | 64427 | Handle Assembly |
| 2 | 97757 | Plunger Assembly |
| 3 | 63742 | Pipe Plug (2) |
| 4 | 97762 | Valve Stem |
| 5 | 64437 | Release Knob |
| 6 | 63752 | Low Pressure Bypass |
| 7 | 63757 | High Pressure Relief |
| 8 | 97782 | Oil Filter |
| 9 | 64412 | Reservoir |
| 10 | 64417 | Tie Rod |
| 11 | 97767 | End Cap |
| 12 | 63707 | Acorn Nut |
| 13 | 97772 | Repair Kit |