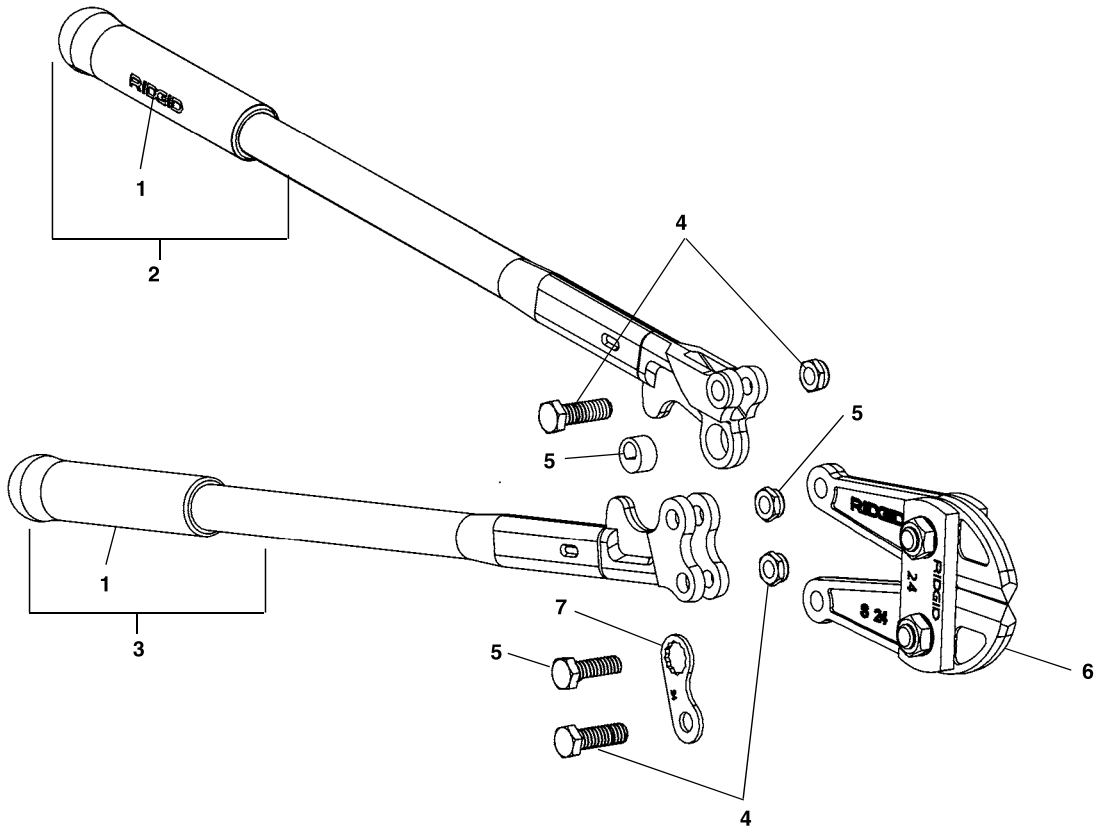


**S14  
S18  
S24  
S30  
S36  
S42**



**NOTE: Order parts by Catalog Number only.  
DO NOT order by Reference Number.**

Ref. No.	Description	S14 Catalog No.	S18 Catalog No.	S24 Catalog No.	S30 Catalog No.	S36 Catalog No.	S42 Catalog No.
1	Hand Grip	18213	18218	18223	18228	18233	18238
2	Male Handle w/Hand Grip	18243	18248	18253	18258	18263	18268
3	Female Handle w/Hand Grip	18273	18278	18283	18288	18293	18298
4	Lever Bolts w/Locknut	18303	18308	18313	18318	18323	18328
5	Center Cam Bolt w/Locknut and Bushing	18333	18338	18343	18348	18353	18358
6	Head Assembly (Includes Ref. No. 4)	18363	18368	18373	18378	18383	18388
7	Adjustment Plate	18393	18398	18403	18408	18413	18418

**Adjustment of Cutter Jaws**

1. Loosen hexagon lock nut (ref. 5) located at the opposite side of eccentricity bolt (ref. 5) until head of eccentricity bolt is clear of the adjustment plate.
2. With handles held in closed position, turn eccentricity bolt (ref. 5) until cutting edges are 1/64" apart (approx. the same thickness of a piece of paper).
3. Once cutting edges are properly adjusted, retighten lock nut (ref. 5).

**NOTE!** Before retightening lock nut, make sure proper alignment of cutting edges is maintained.

**Replacement of Head Assembly**

1. Loosen hexagon lock nut (ref. 5) until head of eccentricity bolt is clear of the adjustment plate.
2. Loosen lock nuts (2) (ref. 4) and remove lever bolts (2) (ref. 4).
3. Remove head assembly.
4. Apply a new head assembly into the groove and insert lever bolts.
5. Repeat the same procedure as adjustment of Cutter Jaws.