

Model K9-102+ & K9-204+ FlexShaft™ Drain Cleaning Machines



RIDGID.com/qr/k9-102p



RIDGID.com/qr/k9-204p

- FR – 19
- ES – 39
- DE – 59
- JP – 79
- KO – 97

Table of Contents

Safety Symbols 2

General Safety Rules

- Work Area Safety 2
- Electrical Safety 2
- Personal Safety 2
- Tool Use and Care 3
- Service 3

Specific Safety Information 3

- FlexShaft Drain Cleaning Machine Safety 3

RIDGID Contact Information 4

Description 4

Specifications 5

- Specifications - Acceptable Battery Powered Drills 5
- Standard Equipment 5

Pre-Operation Inspection 5

Machine and Work Area Set-up 6

Battery Powered Drill Set-up and Operation 7

- Drill Switch 7
- Drill Speed 8
- Drill Adjustment Clutch Setting 8

Installing/Adjusting Chain Knocker 9

Operating Instructions 11

- Draining the Drum 15
- Transportation 15

Storage 15

Maintenance Instructions 15

- Cleaning 15
- Lubrication 15
- Cable Assembly Replacement 15
- Troubleshooting 16
- Service And Repair 16

Optional Equipment 16

Disposal 17

EC Declaration of Conformity Inside Back Cover

Lifetime Warranty Back Cover

*Original Instructions - English

Model K9-102+ & K9-204+ FlexShaft™ Drain Cleaning Machines



⚠ WARNING!

Read this Operator's Manual carefully before using this tool. Failure to understand and follow the contents of this manual may result in electrical shock, fire and/or serious personal injury.

RIDGID[®]

Safety Symbols

In this operator's manual and on the product, safety symbols and signal words are used to communicate important safety information. This section is provided to improve understanding of these signal words and symbols.



This is the safety alert symbol. It is used to alert you to potential personal injury hazards. Obey all safety messages that follow this symbol to avoid possible injury or death.



DANGER DANGER indicates a hazardous situation which, if not avoided, will result in death or serious injury.



WARNING WARNING indicates a hazardous situation which, if not avoided, could result in death or serious injury.



CAUTION CAUTION indicates a hazardous situation which, if not avoided, could result in minor or moderate injury.



NOTICE NOTICE indicates information that relates to the protection of property.



This symbol means read the operator's manual carefully before using the equipment. The operator's manual contains important information on the safe and proper operation of the equipment.



This symbol means always wear safety glasses with side shields or goggles while using this equipment to reduce the risk of eye injury.



This symbol indicates the risk of hands, fingers or other body parts being caught, wrapped or crushed in the drain cleaning FlexShaft.



This symbol indicates the risk of the electrical shock.



This symbol indicates the risk of fingers or other body parts being caught, wrapped, crushed or struck by the chain knocker. Do not operate tool with the cable end outside of the drain.



This symbol means always wear gloves when handling or using this equipment to reduce the risk of infections, burns or other serious personal injury from the drain contents.

General Safety Rules

WARNING

Read and understand all warnings and instructions. Failure to follow all warnings and instructions may result in electric shock, fire, and/or serious injury.

SAVE THESE INSTRUCTIONS!

Work Area Safety

- **Keep work area clean and well lit.** Cluttered or dark areas invite accidents.
- **Do not operate tools in explosive atmospheres, such as in the presence of flammable liquids, gases, or dust.** Tools create sparks which may ignite the dust or fumes.
- **Keep children and by-standers away while operating tools.** Distractions can cause you to lose control.
- **Keep floors dry and free of slippery materials such as oil.** Slippery floors invite accidents.

Electrical Safety

- **Avoid body contact with earthed or grounded surfaces such as pipes, radiators, ranges and refrigerators.** There is an increased risk of electrical shock if your body is earthed or grounded.
- **Do not expose power tools to rain or wet conditions.** Water entering a power tool will increase the risk of electrical shock.
- **If operating a power tool in a damp location is unavoidable, use a ground fault circuit interrupter (GFCI) protected supply.** Use of a GFCI reduces the risk of electric shock.

Personal Safety

- **Stay alert, watch what you are doing and use common sense when operating tools. Do not use tools while you are tired or under the influence of drugs, alcohol, or medication.** A moment of inattention while operating tools may result in serious personal injury.
- **Use personal protective equipment.**

Always wear eye protection. Protective equipment such as dust mask, non-skid safety shoes, hard hat, or hearing protection used for appropriate conditions will reduce personal injuries.

- **Do not overreach. Keep proper footing and balance at all times.** Proper footing and balance enables better control of the tool in unexpected situations.

Tool Use and Care

- **Do not force tool. Use the correct tool for your application.** The correct tool will do the job better and safer at the rate for which it is designed.
- **Store idle tools out of the reach of children and do not allow persons unfamiliar with the tool or these instructions to operate the tool.** Tools can be dangerous in the hands of untrained users.
- **Maintain tools. Check for misalignment or binding of moving parts, breakage of parts and any other condition that may affect the tool's operation. If damaged, have the tool repaired before use.** Many accidents are caused by poorly maintained tools.
- **Keep handles dry, clean and free from oil and grease.** Allows for better control of the tool.

Service

- **Have your tool serviced by a qualified repair person using only identical replacement parts.** This will ensure that the safety of the tool is maintained.

Specific Safety Information

⚠ WARNING

This section contains important safety information that is specific to this tool.

Read these precautions carefully before using the FlexShaft™ Drain Cleaning Machine to reduce the risk of electrical shock or other serious injury.

SAVE ALL WARNINGS AND INSTRUCTIONS FOR FUTURE REFERENCE!

Keep this manual with machine for use by the operator.

FlexShaft Drain Cleaning Machine Safety

- **Always use safety glasses and gloves in good condition while handling or using.** Use latex or rubber gloves, face shields, protective clothing, respirators or other appropriate protective equipment when chemicals, bacteria or other toxic or infectious substances are suspected to be present to reduce the risk of infections, burns or other serious personal injury.
- **Do not use with a corded drill.** Operating with a corded drill increases the risk of electrical shock and other injuries.
- **Do not allow the chain knocker/end of cable to stop turning while drill switch is depressed.** This can over-stress the cable and may cause twisting, kinking or breaking of the cable assembly and may result in serious personal injury.
- **Practice good hygiene. Do not eat or smoke while handling or operating the tool. After handling or operating drain cleaning equipment, use hot, soapy water to wash hands and other body parts exposed to drain contents.** This will help reduce the risk of health hazards due to exposure to toxic or infectious material.
- **Only use the FlexShaft Drain Cleaning Machine for the recommended drain sizes.** Using the wrong size drain cleaner can lead to twisting, kinking or breaking of the cable and may result in personal injury.
- **Keep hand on the cable assembly whenever the FlexShaft Machine is running.** This provides better control of the cable and helps prevent twisting, kinking and breaking of the cable and reduces the risk of injury.
- **Position machine cable outlet within 3' (1 m) of the drain inlet or properly support exposed cable assembly when the distance exceeds 3' (1 m).** Greater distances can cause control problems leading to twisting, kinking or breaking of the cable. Twisting, kinking or breaking cable may cause striking or crushing injuries.
- **One person must control both the cable assembly and cordless drill.** Do not lock drill switch in the ON position during operation. If the cable stops rotating, the operator must be able to release the drill switch to prevent twisting, kinking

and breaking of the cable and reduce the risk of injury.

- **Do not wear loose clothing or jewelry. Keep your hair and clothing away from moving parts.** Loose clothing, jewelry or hair can be caught in moving parts.
- **Do not operate this machine if operator or machine is standing in water.** Operating machine while in water increases the risk of electrical shock.
- **Do not use if there is the risk of contact with other utilities (such as natural gas or electric) during operation.** Visual inspection of the drain with a camera is a good practice. Crossbores, improperly placed utilities and damaged drains could allow the cutter to contact and damage the utility. This could cause electrical shock, gas leaks, fire, explosion or other serious damage or injury.
- **Read and understand these instructions, the battery drill instructions and the instructions for any other equipment used with this tool before operating.** Failure to follow all instructions may result in property damage and/or serious injury.

for use on roots and cleaning the pipe wall of scale. Plain chain knockers are for general use, including grease. FlexShaft Drain Cleaners are well suited to use with inspection cameras during the drain cleaning process.

The FlexShaft Machines are lightweight and compact for ease of transport.

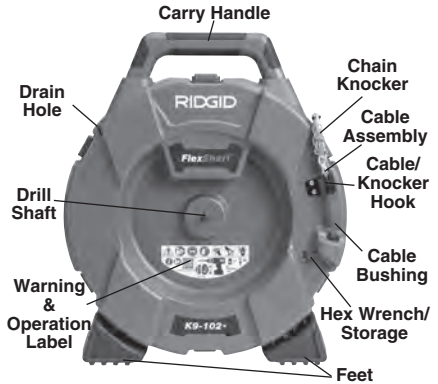


Figure 1A – RIDGID® FlexShaft Drain Cleaning Machine

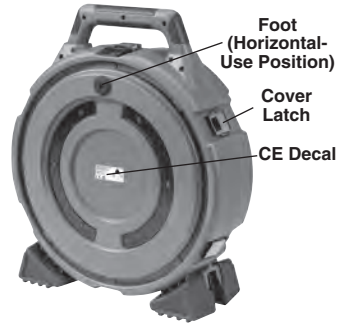


Figure 1B – RIDGID® FlexShaft Drain Cleaning Machine

RIDGID Contact Information

If you have any question concerning this RIDGID® product:

- Contact your local RIDGID distributor.
- Visit RIDGID.com to find your local RIDGID contact point.
- Contact Ridge Tool Technical Service Department at ProToolsTechService@Emerson.com, or in the U.S. and Canada call 844-789-8665.

Description

The RIDGID® Model K9-102+ and K9-204+ FlexShaft™ Drain Cleaning Machines are designed to clean and descale pipes and drain lines as called out in the *Specifications*.

A user supplied battery powered drill is used to drive the FlexShaft Drain Cleaning Machines. The FlexShaft Drain Cleaning Machine cable assembly is manually fed in and out of the drain. A chain knocker that expands to the pipe inside diameter is used to break up the blockage and clean the walls of the pipe. Chain knockers with carbide cutting tips are available

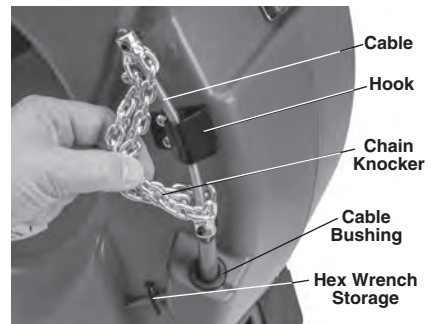


Figure 1C – Cable End/Chain Knocker

Specifications

Model.....	K9-102+	K9-204+
Drain Capacity (Nom.)	1/4" to 2" (32 – 50 mm)	2" to 4" (50 – 100 mm)
Cable Diameter (without Sheath).....	1/4" (6 mm)	3/16" (8mm)
Cable Assy. Diameter (with Sheath)	3/8" (9.5 mm)	1/2" (12.7 mm)
Cable Assembly Length	50' (15.2 m)	70' (21.3 m)
Rotational Speed	Maximum 2500 RPM	Maximum 2500 RPM
Drill Attachment.....	3/16" Hex (8 mm)	3/16" Hex (8 mm)
Weight (without Drill/Knocker)	24.3 lbs. (11.0 kg)	37.3 lbs. (16.9 kg)
Dimension (without Drill)	19.2" x 7.5" x 22.1" (488 mm x 191 mm x 562 mm)	21.1" x 10.8" x 24.2" (536 mm x 274 mm x 615 mm)
Operating temperature.....	20°F to 140°F (-6°C to 60°C)	20°F to 140°F (-6°C to 60°C)

It is not recommended to clean glass, ceramic, porcelain or similar fixtures with the FlexShaft Drain Cleaners as it may damage the fixture.

Specifications - Acceptable Battery Powered Drills

Rotational Speed..... 1800 to 2500 RPM
 Chuck Size 3/8" or greater
 Clutch With adjustable torque
 Switch Type..... Momentary Contact
 Switch Lock Not equipped with
 Drill must carry appropriate certification mark for the market (CE mark, c()us mark, etc.)

Do not use corded drills, hammer drills or impact drivers. Use of an inappropriate drill increases the risk of equipment damage and personal injury. See *Battery Powered Drill Set-up and Operation section*.

Standard Equipment

Refer to the RIDGID catalog for details on equipment supplied with specific drain cleaning machine catalog numbers.

NOTICE This machine is made to clean drains. If properly used it will not damage a drain that is in good condition and properly designed, constructed and maintained. If the drain is in poor condition, or has not been properly designed, constructed and maintained, the drain cleaning process may not be effective or could cause damage to the drain. The best way to determine the condition of a drain before cleaning is through visual inspection with a camera. Improper use of this drain cleaning machine can damage the drain cleaning machine and the drain. This machine may not clear all blockages.

Pre-Operation Inspection

▲ WARNING



Before each use, inspect your Drain Cleaning Machine and correct any problems to reduce the risk of serious injury from electric shock, twisted or broken cables, chemical burns, infections and other causes and prevent Drain Cleaning Machine damage.

Always wear safety glasses, and other appropriate protective equipment when inspecting your Drain Cleaning Machine.

- Clean the machine, including handles and controls. This aids inspection and helps prevent the machine or control from slipping from your grip. Clean and maintain the machine per the maintenance instructions.
- Inspect the machine for:
 - Proper assembly and completeness.
 - Any broken, worn, missing, misaligned or binding parts.
 - Presence and readability of the warning label (see Figure 2).



Figure 2 – Warning Label

- Smooth and free movement of the cable assembly in and out of the machine.
- Any condition which may prevent safe and normal operation.

If any problems are found, do not use the drain cleaning machine until the problems have been repaired.

3. Clean any debris from the cable assembly and chain knockers. Inspect sheath for wear and damage. There should not be any cuts, kinks, breaks or excessive wear. Inspect the cable near the chain knocker. Cable assemblies should not be bent or deformed. Cable strands should be tight to one another without separation. Inspect chain knocker for damaged or lost carbide cutting tips (if equipped) and wear of the chain itself. If chain links are worn more than ¼ through or damaged, replace the chain knocker. Replace worn and damaged equipment before using drain cleaning machine.

Confirm that the chain knocker is properly set up and is secure on the cable.

4. Inspect the battery powered drill per its instructions. Make sure that the drill is in good operating condition and the switch controls the drill operation. Confirm that the drill meets the requirements in the Specification section and is properly set for use with the machine.
5. Inspect and maintain any other equipment being used per its instructions to make sure it is functioning properly.

1. Check for an appropriate work area. Operate in a clear level, stable, dry location. Do not use the Drain Cleaning Machine while standing in water.
2. Inspect the drain to be cleaned. If possible, determine the access point(s) to the drain, the size(s), length(s), and material(s) of the drain, distance to mainlines, the nature of the blockage, presence of drain cleaning chemicals or other chemicals, etc.

If chemicals are present in the drain, it is important to understand the specific safety measures required to work around those chemicals. Contact the chemical manufacturer for required information. Confirm no other utilities are present in the drain or area to reduce the risk of damage. Visual inspection of the drain with a camera is a good practice.

If needed, remove fixture (water closet, etc.) to allow access to drain. Do not run the chain knocker in a fixture. This could damage the FlexShaft Machine or the fixture.

Best drain cleaning results will occur if water is flowing during the drain cleaning process to wash away debris. For 1¼" and 1½" sink drains, cut away wall pipes are available to allow this. See Figure 3 for installation. Place a container to catch any drain contents that may spill.

Machine and Work Area Set-up

⚠ WARNING



Set up the Drain Cleaning Machine and work area according to these procedures to reduce the risk of injury from electric shock, fire, machine tipping, twisted or broken cables, chemical burns, infections and other causes, and prevent machine damage.

Always wear safety glasses and other appropriate protective equipment when setting up your Drain Cleaning Machine.

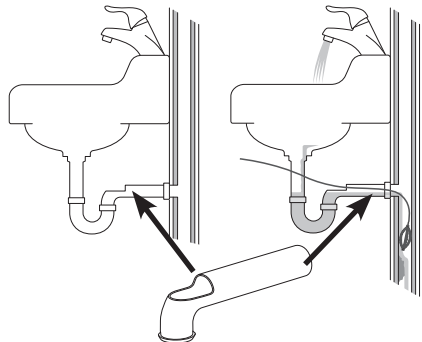


Figure 3 – Wall Pipe Installation

3. Determine the correct equipment for the application. See *Specifications*. Drain Cleaning Machines for other applications can be found by consulting the Ridge Tool Catalog, online at RIDGID.com.
4. Make sure all equipment has been properly inspected.

5. If needed, place protective covers in the work area. The drain cleaning process can be messy.
6. Place the Drain Cleaning Machine on the ground with the drill shaft vertical. Machine should sit squarely and firmly on the ground. Do not operate with the drill shaft horizontal. This will reduce the risk of tipping.
7. Remove the battery from the drill. Properly set-up the drill. (See *Battery Powered Drill Set-up and Operation* section.) Securely attach the drill chuck to the hex of the drill shaft (Figure 4).



Figure 4 – Attaching Drill To Drill Shaft



Figure 5 – Example of Extending Drain Access to within 3' of Machine Cable Outlet

8. Position the Drain Cleaning Machine so that the cable outlet is within 3' (1 m) of the drain access. Greater distances from the drain access increases the risk of the cable assembly twisting or kinking. If the FlexShaft Machine cannot be placed with the cable outlet within 3' (1 m) of the

drain access, extend the drain access with similar sized pipe and fittings (see *Figure 5*). Improper cable assembly support can allow the cable to kink and twist and can damage the cable or injure the operator. Extending the drain back to the Drain Cleaning Machine also makes it easier to feed cable assembly into drain.

9. Disconnect the chain knocker from the hook and pull approximately 4' (1.2 m) of cable assembly out of the machine.
10. Mark the sheath to indicate when the chain knocker is approaching the drain opening when withdrawn. This can be done with tape. This reduces the risk of the chain knockers coming out of the drain and whipping around. The distance depends on the configuration of the drain, but should be at least 4' (1.2 m) from the chain knocker.
11. Ensure chain knocker is properly installed (see *Installing/Adjusting Chain Knocker*).
12. Insert chain knocker end at least 1' (0.3 m) into drain.
13. Evaluate the work area and determine if any barriers are needed to keep bystanders away from the drain cleaning machine and work area. The drain cleaning process can be messy, and bystanders can distract the operator.
14. Position the machine for easy accessibility. You must be able to hold and control the cable assembly and the drill switch.
15. With dry hands, insert the battery into the drill.

Battery Powered Drill Set-Up and Operation

See the *Specifications* section along with this section for information on acceptable battery powered drills for use with the FlexShaft Drain Cleaning Machines. There are many types of battery powered drills available, and not all are appropriate for use with the FlexShaft Drain Cleaning Machines. If there is any question about appropriateness of a drill for this application, do not use it. Remove the battery from the drill before making any adjustments or attaching to/removing from the drain cleaning machine.

Drill Switch

The drill must be equipped with a momentary contact switch without a switch lock. This

means that the drill will only turn when the operator is depressing the drill switch. If the drill switch is released, the drill will turn OFF. Set drill in “FOR” rotation (see Figure 4).

Drill Speed

When using your FlexShaft Drain Cleaning Machine, the required rotational speed range is 1800 – 2500 rpm. Cleaning will be optimized by rotating the chain knockers closer to the 2500 rpm maximum. To do this, know your battery powered drill specifications and settings to optimize operation. Many battery powered drills have multiple speed settings, and typically the highest speed is in the range for operation of the FlexShaft equipment. See Figure 6 for an example of drill speed settings. Do not operate the FlexShaft drain cleaning machine at over 2500 rpm.

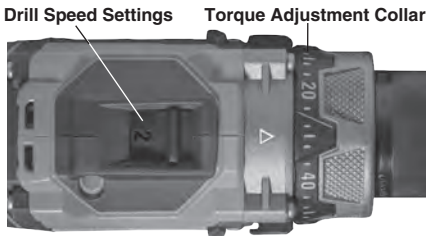


Figure 6 – Drill Settings

Drill Adjustable Clutch Setting

Always use a battery powered drill equipped with a properly set adjustable clutch. This will help reduce the risk of cable damage in the drum of the drain cleaner and reduce handle forces.

Battery powered drills equipped with adjustable clutches will typically have a torque adjustment collar (Figure 6) marked with a scale in numbers starting at one and increasing to indicate increasing torque at clutch disengagement. The adjustable clutch is many times used for driving screws, and may have a selector that needs to be set to the “Screw Driving Mode” (left arrow) for the adjustable clutch to work. When the adjustable clutch releases, the motor continues to turn but the drill chuck does not. Many times this is accompanied by vibration/noise from the drill.

Battery powered drills are often also equipped with “Drill” (left arrow) and “Hammer” (right arrow) modes of operation (Figure 7). **In these modes, the adjustable clutch does not work, and these modes should never be used for FlexShaft Drain Cleaning Machine operation.**

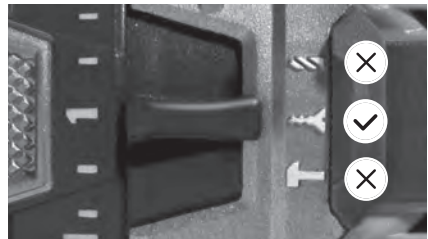


Figure 7 – Selecting Proper Mode

When using the FlexShaft Drain Cleaning Machines, always start with the adjustable clutch set to approximately 25% of the total clutch adjustment range (example – if the torque adjustment collar on the drill is marked from 1 to 20, the initial setting should be 5).

Operate the drain cleaner per these instructions. When clearing blockages, operate drill at full speed for best cleaning. Do not force the chain knocker into the blockage – if the chain knocker cannot turn, it cannot clean the drain. The chain knocker may need to be moved away from the blockage to come back up to speed. If during operation the drill clutch continuously releases (“clutches out”), release the drill switch and withdraw the cable from the drain. Review the drain cleaner set up and operation and confirm everything is correct – an important part of the set up for proper operation is chain knocker selection (See Figure 9 for details) and adjustment. Make any needed changes and continue cleaning drain.

If the drill clutch continues to release during operation, the drill adjustable clutch setting can be increased. The drill clutch can be increased in steps up to 75% of the total clutch adjustment range. (example – if the torque adjustment collar on the drill is marked from 1 to 20, the maximum setting should be no more than 15). **Do not exceed 75% of the total clutch adjustment range. Never place drill in “Drill” (left arrow) or “Hammer” (right arrow) mode – this disables the adjustable clutch. This increases the risk of cable damage in the drum of the drain cleaner.**

If the drill clutch continues to release when set at 75% of the total clutch adjustment range, consider using another RIDGID drain cleaning machine.

Installing/Adjusting Chain Knocker

1. Select proper chain knocker for the conditions.

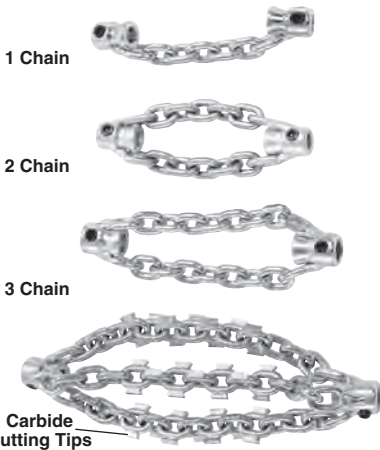


Figure 8 – Chain Knockers

Chain knockers are sized based on collar inside diameter and are designed for specific cable sizes. ¼" chain knockers are used on ¼" cable, etc. Do not use a larger size chain knocker on a smaller cable (for instance 5/16" on ¼"). See *Figure 8 and Collar Distance Chart*.

Chain knockers without carbide cutting tips can be used in common pipe types. These chain knockers work well in grease and similar blockages.

Chain knockers with carbide cutting tips are used for removing scale from the inside of the pipe and can be used for roots. Carbide cutting tips are used for aggressive cleaning and could damage pipe, especially softer materials (such as plastics and Orangeburg), thin walled pipe, or if the chain knocker is kept in one position for an extended time. See *Figure 9, Chain Knocker Selection Chart*.

Do not use chain knockers for cleaning in glass, ceramic, porcelain or similar material fixtures or pipes. They could be damaged.

2. *Figure 10* shows a schematic of proper chain knocker installation and adjustment. There are two key points when installing/adjusting chain knockers.

Collar Distance: Set the chain knocker collars the correct distance apart ("Collar Distance") to allow the chains to spread an appropriate amount when rotated to clean the pipe walls. Collar Distance varies based on cable size and pipe diameter, and is generally set using a spacer made from sheath ("Collar Spacer"). If additional flexibility is required to navigate a bend, the collar spacer can be removed and the collar distance can be set with a tape measure. Operating without a collar spacer makes it more likely for the cable to flip over in use and be damaged. **Do not operate carbide cutters without a collar spacer to reduce risk of cable damage.**

Exposed Cable: Minimize the amount of exposed cable (cable not covered by sheath). The more exposed cable there is, the more likely the cable will flip over in use and be damaged. Exposed cable should be limited to no more than ¼" (6 mm), and is set with a bushing made from sheath ("Knocker Bushing"). Exposed cable varies with the amount of cable out of the drum. The more cable out of the drum, the smaller the exposed cable. Exposed cable may need to be set with cable out of the drum for best results.

Sheath is supplied with the drain cleaner and is available as a service part to allow configuration as needed for your specific application. Only use RIDGID FlexShaft Drain Cleaner sheath of the correct size for the cable. Any time sheath is cut, it should be cut cleanly and squarely. Do not damage the cable when cutting the sheath.

3. Chain knockers are retained to the cable with set screws that use a supplied 3 mm hex key. Loosen set screws and remove chain knocker, spacer and bushing from cable.
4. Inspect the sheath end for damage or wear. The sheath end should be square and clean. If needed, the sheath end can be trimmed slightly.

K9-102+ MACHINE

K9-204+ MACHINE



Chain Knockers



Carbide Tipped Chain Knockers



Chain Knockers



Carbide Tipped Chain Knockers

		K9-102+ 1.5"		K9-102+ 2"		K9-102+ 1.5" CARBIDE			K9-102+ 2" CARBIDE			K9-204+ 2"			K9-204+ 3"			K9-204+ 4"			K9-204+ 2" CARBIDE			K9-204+ 3" CARBIDE			K9-204+ 4" CARBIDE					
CATALOG NO.		64293	64298	64283	64288	64323	64328	64333	64308	64313	64318																					
DESCRIPTION		K9-102+ 1.5"	K9-102+ 2"	K9-102+ 1.5" CARBIDE	K9-102+ 2" CARBIDE	K9-204+ 2"	K9-204+ 3"	K9-204+ 4"	K9-204+ 2" CARBIDE	K9-204+ 3" CARBIDE	K9-204+ 4" CARBIDE																					
PIPE SIZE		1.25"-1.5" (32-40 mm)	1.5"-2" (40-50 mm)	1.25"-1.5" (32-40 mm)	1.5"-2" (40-50 mm)	2" (50 mm)	3" (75 mm)	4" (100 mm)	2" (50 mm)	3" (75 mm)	4" (100 mm)																					
PIPE TYPE	COPPER	☑	☑	☑	☑	☑	☑	☑	☑	☑	☑																					
	GALVANIZED	☑	☑	☑	☑	☑	☑	☑	☑	☑	☑																					
	CAST IRON	☑	☑	☑	☑	☑	☑	☑	☑	☑	☑																					
	PVC	☑	☑				☑	☑	☑																							
	ABS	☑	☑				☑	☑	☑																							
	ORANGEBURG	☑	☑				☑	☑	☑																							
	CORRUGATED	☑	☑				☑	☑	☑																							
	CLAY	☑	☑				☑	☑	☑																							
BLOCKAGE	GREASE	☑	☑	☑	☑	☑	☑	☑	☑	☑	☑																					
	SOFT BLOCKAGE	☑	☑	☑	☑	☑	☑	☑	☑	☑	☑																					
	SCALING			☑	☑																											
	LIGHT ROOTS			☑	☑																											
	INCLUDED WITH KIT	☑	☑									☑			☑																	

Figure 9 – Chain Knocker Selection Chart

Machine	Cable Size	Number of Chains	Knocker		Recommended Collar Distance
			Number of Links/Chain	Nominal Pipe Size	
K9-102+	1/4"	1	7	1 1/4" to 1 1/2" (32 mm to 40 mm)	1 3/4" (44.5 mm)
		2	7	1 1/2" to 2" (40 mm to 50 mm)	
K9-204+	5/16"	2	9	2" (50 mm)	2 1/2" (63.5 mm)
		3	13	3" (75 mm)	4" (101.6 mm)
		3	15	4" (100 mm)	4 1/2" (114.3 mm)

Collar Distance Chart

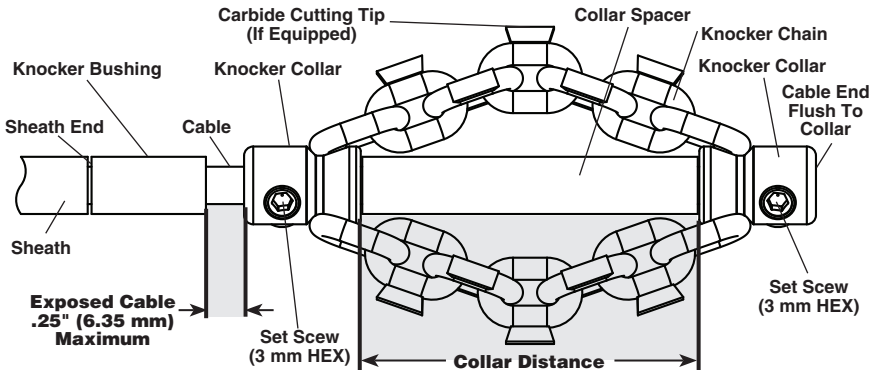


Figure 10 – Chain Knocker Installation/Adjustment

- If needed, cut a section of sheath to use as the collar spacer to the appropriate size (See *Collar Distance Chart*).

Collar distance can be modified to your preference for the specific pipe/application. As collar distance increases, the diameter of the chains decreases, and vice versa. Improperly set collar distance can reduce the efficiency of pipe cleaning.

- Test fit the chain knocker, knocker bushing and collar spacer on the cable as shown in *Figure 10*. Chains should be straight – do not assemble with chains twisted. To prevent excessive cable end wear, cable end should be flush with the end of the collar.

Check length of exposed cable. To reduce the risk of cable flip over and damage, exposed cable cannot exceed 1/4" (6 mm). If needed, cut a knocker bushing from sheath to limit exposed cable. **Always use a knocker bushing to reduce wear on the sheath end.**

- With the chain knocker correctly installed on the cable as shown in *Figure 10*, use the supplied hex wrench to securely tighten the collar set screws. Place set screw tip against cable, then tighten an ad-

ditional 1/8 to 1/4 turn (45° to 90° degrees). If the set screws are not secure, the chain knocker could slip and damage the cable or be lost down the drain.

Operation Instructions

⚠ WARNING



Always use safety glasses and gloves in good condition while handling or using. Use latex or rubber gloves, face shields, protective clothing, respirators or other appropriate protective equipment when chemicals, bacteria or other toxic or infectious substances are suspected to be present to reduce the risk of infections, burns or other serious personal injury.

Do not use with a corded drill. Operating with a corded drill increases the risk of electrical shock.

Do not allow the chain knocker/end of cable to stop turning while drill switch is depressed. This can overstress the cable and may cause twisting, kinking or breaking of the cable assembly and may result in serious personal injury.

Practice good hygiene. Do not eat or smoke while handling or operating the tool. After handling or operating drain cleaning equipment,

use hot, soapy water to wash hands and other body parts exposed to drain contents. This will help reduce the risk of health hazards due to exposure to toxic or infectious material.

Keep hand on the cable assembly whenever the FlexShaft Machine is running. This provides better control of the cable and helps prevent twisting, kinking and breaking of the cable and reduces the risk of injury.

Position the FlexShaft Machine cable outlet within 3' (1 m) of the drain inlet or properly support exposed cable assembly when the distance exceeds 3' (1 m). Greater distances can cause control problems leading to twisting, kinking or breaking of the cable. Twisting, kinking or breaking cable may cause striking or crushing injuries.

One person must control both the cable assembly and cordless drill. Do not lock drill switch in the ON position during operation. If the cable stops rotating, the operator must be able to release the drill switch to prevent twisting, kinking and breaking of the cable and reduce the risk of injury.

Follow operating instructions to reduce the risk of injury from twisted or broken cable, cable ends whipping around, machine tipping, chemical burns, infections and other causes.

1. Make sure that machine and work area is properly set-up and that the work area is free of bystanders and other distractions.
2. Pull cable assembly from the machine and feed into drain. At least 1' (0.3 m) of cable must be in drain so that the chain knocker will not come out of the drain and whip around when the machine is started.

Directly route the cable assembly from the machine cable outlet to the drain opening, minimizing exposed cable and changes in direction. Do not tightly bend the cable assembly – this can increase the risk of twisting or breaking.

If using a camera to view the drain cleaning process, the camera can be fed in at the same time. Typically the cable assembly and the camera push rod can be gripped and advanced/retrieved at the same time. Keep the camera at least 1.5' (0.5 m) behind the chain knocker.

NOTICE Do not allow the spinning chain knocker to hit the camera head/push rod. It can damage it.

3. Assume a proper operating position to help maintain control of the cable assembly and drill (see Figure 11):

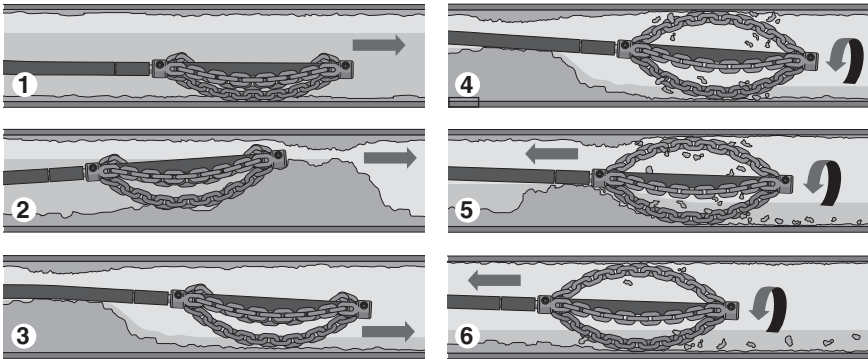
- Be sure you can quickly release the drill switch.
- Your gloved hand must be on the cable assembly to control and support as the cable assembly is fed into the drain and blockage.
- Be sure that you have good balance, do not have to overreach, and cannot fall on machine, drain, etc.. This operating position will help to maintain control of the cable assembly and FlexShaft Machine.



Figure 11 – In Operating Position

4. Confirm that at least 1' (0.3 m) of cable assembly is in the drain.
5. Confirm that the drill is properly set-up, and depress and release the drill switch, noting the direction of the drill chuck. Drill rotation should match the FOR arrow on the drum (See Figure 4). Do not rotate the cable in reverse except as specifically described in these instructions. Running in reverse can damage the cable.
6. Place one hand on the cable assembly and other hand on the drill grip.
7. The FlexShaft Drain Cleaning Machine utilizes high rotational speed and low torque to clean drains. FlexShaft cable assemblies are more flexible than other types of drain cleaning cables. The FlexShaft machine is best used by applying light pressure and slowly working the chain knocker into the blockage when withdrawing the cable. **It's important to let the**

The general operating steps for the FlexShaft Drain Cleaning Machines (see below):



1. Advance the chain knocker (generally not rotating) to the area of the drain that needs cleaned.
2. If there is a blockage, pass the chain knocker through the blockage.
3. If possible, start a flow of water through the drain to carry cuttings and debris away as the drain is cleaned.
4. Rotate the cable/chain knocker at full speed.
5. Continue to rotate knocker. Gradually withdraw the cable assembly so that the chain knocker can break up the blockage.
6. Continue to gradually withdraw the cable assembly while rotating so that the chain knocker can clean the walls of the drain.

Figure 12 – General Operating Steps

speed of the chain knocker clean the drain – do not force chain knockers into blockages.

8. Advancing/Retrieving the Cable Assembly – FlexShaft Lubricant

In some cases it may be beneficial to apply RIDGID FlexShaft Lubricant to the outside of the sheath when feeding the cable down the drain. This can make it easier to advance the cable assembly down the drain and allow greater cleaning distance. If doing so, place a clean towel with lubricant on it in the palm of the gloved hand used for advancing the cable assembly, and apply lubricant as feeding the cable assembly (Figure 13). Add lubricant to the towel as needed during the process. RIDGID FlexShaft markings are printed on the sheath every 5' (1.5 m) to aid in determining how much cable assembly has been fed from the machine.

Only use RIDGID FlexShaft lubricant. Other lubricants may not be appropriate for use in a drain and could contaminate the water.

When retrieving the cable assembly, it is good practice to use a towel to wipe dirt and debris from the cable sheath as it is

pulled from the drain and fed back into the drum.

9. Rotating the Chain Knocker

Generally the chain knocker is rotated for cleaning while withdrawing the cable.

Only rotate the cable/chain knocker when the chain knocker is at least 1' in the drain. To rotate the cable, firmly grip the drill handle and depress the drill switch. The person controlling the cable assembly must also control the drill switch. Do not operate the machine with one person controlling the cable assembly and another person controlling the drill. Do not allow cable assembly to build up outside the drain, bow or curve. This can lead to twisting, kinking and breaking of the cable. At any time, release the drill trigger to stop cable rotation. When clearing blockages, operate the cable at full speed for best cleaning. **Do not force the chain knocker into blockages.** In some cases, using variable speed will assist with navigating turns. Rotating the chain knocker in FORWARD or REVERSE for a short time while advancing the cable assembly can help it negotiate the drain and blockages.



Figure 13 – Applying Lubricant to the Cable Sheath

10. Advance the cable assembly into the drain, generally not rotating. Grasp the sheath near where it exits the machine housing. Pull 6" to 12" (150 to 300 mm) of cable assembly out of the FlexShaft Machine so that there is a slight bow in the cable. Gloved hand must be on cable assembly to control and support. Improper cable support can allow the cable assembly to kink or twist and can damage the cable or injure the operator. Feed the cable assembly into the drain (*Figure 12, Step 1*).
 11. Continue to advance the cable assembly until the resistance is encountered. Carefully work the chain knocker through the blockage. **Do not force the cable assembly – if the chain knocker cannot turn, it cannot clean the drain.** Pay attention to how far the cable has gone. Do not overrun the cable into a larger drain. This can cause the cable to knot up or cause other damage (*Figure 12, Step 2*).
 12. If possible, start a flow of water down the drain to flush the debris out of the line and help clean the cable assembly as it is retrieved. This can be done by turning on a faucet in the system or other methods. Pay attention to the water level, as the drain could plug again (*Figure 12, Step 3*).
 13. With the chain knocker past the blockage/area to be cleaned, fully depress the drill switch to rotate the chain knocker. Slowly pull the cable assembly from the drain, allowing the rotating chain knocker to clean the drain walls and break up the blockage (*Figure 12, Steps 4 & 5*). **If the cable stops turning, do not continue operating the drill.** This may cause the cable to twist and kink. At any time, release the drill switch to stop cable rotation.
- Monitor the feedback from the feel of the cable assembly in your hand and the sound of the drill/knocker in the drain. If the drill clutch disengages, the cable has likely stopped turning. See *Drill Adjustable Clutch Setting in Set-up section*. Do not place the battery drill torque adjustment in the "drill" setting. This increases the force that is felt at the drill handle, and can cause the drill to spin around. Firmly grip the drill handle to maintain control.
- It may be necessary to move the chain knocker out of the blockage to allow it to come back up to speed.
- If the chain knocker becomes stuck, it may be able to be freed by running the drill in reverse for a short time. Do not run in reverse for more than a few seconds to prevent cable damage. In some cases, it may be possible to pull the cable assembly and the blockage out of the drain by hand. If this is done, be careful to not damage the cable assembly. Remove the blockage from the knocker and cable and continue cleaning the drain as detailed above.
- If using with a camera, do not run the chain knocker into the camera head or push rod.**
- In some cases, to clean the opposite side of the pipe it may help to run the drill in REVERSE for a short time.
14. Continue to clean the rest of the drain while retrieving the cable. Once the drain has been cleaned, retrieve the cable and feed back onto the drain cleaning machine. Pay close attention, as the cable may lodge in a blockage while being retracted (*Figure 12, Step 6*).
 15. Watch for your sheath marking as the cable assembly is retrieved. Release the drill switch when the chain knocker nears drain opening. Do not pull the chain knocker from drain while it is rotating. The chain knocker can whip around and could cause serious injury.
 16. If needed for complete cleaning, repeat the above procedure.

- Pull any remaining cable assembly from the line by hand and push back into the drum. Prepare the machine for transport.

Draining the Drum

If needed, the drain cleaner can be turned to allow any liquid in the housing to be drained (see *Figure 1* for drain hole location).

Transportation

Feed all of cable assembly into the drum and secure the chain knocker in the hook. Remove the drill from the drill shaft. Do not leave the drill attached during transport to prevent tipping and damage to the drain cleaner. See *Figure 1*.

Storage

▲ WARNING The Drain Cleaning Machine must be kept dry and indoors or well covered if kept outdoors. Store the machine in a locked area that is out of reach of children and people unfamiliar with drain cleaning machines. This machine can cause serious injury in the hands of untrained users.

Maintenance Instructions

▲ WARNING
Drill should be removed from drain cleaner before any maintenance is performed.

Always wear safety glasses and other appropriate protective equipment when performing any maintenance.

Cleaning

It is good practice to use a towel to wipe dirt and debris from the sheath as the cable assembly is pulled from the drum and fed back into the drum. This will help to keep the drum clean and reduce the likelihood of the cable assembly sticking in the drum. If needed, cable assembly can be pulled from the machine and the housing opened for flushing/cleaning.

Clean the machine as needed with hot soapy water and/or mild disinfectants. Drain the machine as needed.

Lubrication

The FlexShaft Drain Cleaning Machines are lubricated for life from the factory.

Cable Assembly Replacement

- Pull entire cable assembly from housing.
- Using the provided hex wrench (or a similar tool) open the latch under the carry handle (*Figure 14*). Open other latches holding housing closed.



Figure 14 – Open Latch Under Carry Handle (Use Hex Wrench)

- Open the housing (*Figure 15*).

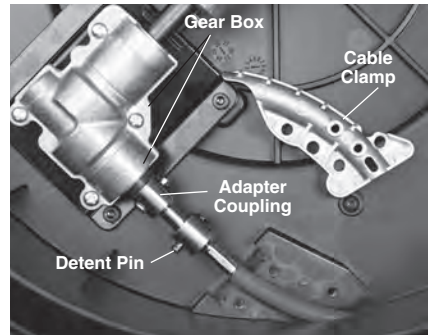


Figure 15 – Drain Cleaner Housing Opened

- Remove cable clamp fasteners, cable clamp (*Figure 15/16*).
- Remove the ball detent pin from the cable coupling.
- Remove the cable coupling from the adapter coupling and remove the cable assembly.
- Reverse process to assemble, securely attaching all fasteners. Ensure sheath is all the way to the end of the site window in the cable clamp (see *Figure 16*).

Troubleshooting

SYMPTOM	POSSIBLE REASON	SOLUTION
Cable kinking or breaking.	Cable assembly is being forced..	Do no force cable assembly. Follow operating instructions.
	Incorrect FlexShaft Machine or chain knocker used for pipe diameter.	Use correct FlexShaft Machine or chain knocker for pipe size.
	Drill being run in reverse.	Use reverse only if flex shaft gets caught in pipe.
	Cable assembly exposed to acid/corroded.	Clean cable assembly routinely.
	Cable/sheath worn out.	Replace worn cable assembly.
	Cable assembly not properly supported.	Support cable assembly properly, see instructions.
	Chain knocker not properly set up/adjusted	Properly set up/adjust chain knocker, see <i>instructions</i> .
FlexShaft Machine wobbles or moves while cleaning drain.	Improper drill or drill settings.	Choose proper drill and settings, see instructions.
	Ground not level.	Place on level stable surface.

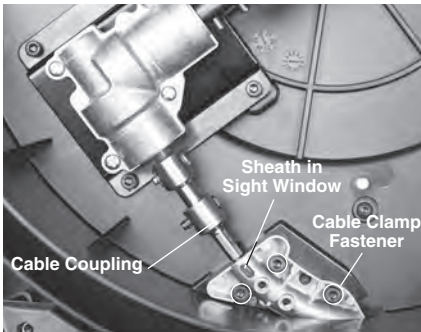


Figure 16 – Changing the Cable Assembly

Service and Repair

⚠ WARNING

Improper service or repair can make the machine unsafe to operate.

The “Maintenance Instructions” will take care of most of the service needs of this machine. Any problems not addressed by this section should only be handled by a RIDGID Authorized Independent Service Center. Use only RIDGID service parts.

For information on your nearest RIDGID Authorized Independent Service Center or any service or repair questions see *Contact Information* section in this manual.

Optional Equipment

⚠ WARNING

To reduce the risk of serious injury, only use accessories specifically designed and recommended for use with the RIDGID FlexShaft Drain Cleaning Machine, such as those listed.

Catalog No.	Description
64283	Knocker, 1/4" cable, 1 1/2"-2" pipe, single chain, carbide tip
64288	Knocker, 1/4" cable, 2" pipe, 2 chain, carbide tip
64293	Knocker, 1/4" cable, 1 1/2"-2" pipe, single chain
64298	Knocker, 1/4" cable, 2" pipe, 2 chain
64308	Knocker, 3/8" cable, 2" pipe, 2 chain, carbide tip
64313	Knocker, 3/8" cable, 3" pipe, 3 chain, carbide tip
64318	Knocker, 3/8" cable, 4" pipe, 3 chain, carbide tip
64323	Knocker, 3/8" cable, 2" pipe, 2 chain
64328	Knocker, 3/8" cable, 3" pipe, 3 chain
64333	Knocker, 3/8" cable, 4" pipe, 3 chain
64338	FlexShaft Lubricant, 8 oz, 12 per case
64343	1/2" Assembly, cable, sheath, couplings, 50'
64348	3/8" Assembly, cable, sheath, couplings, 70'
64363	1 1/2" RIDGID Wallpipe Accessory
64368	1 1/2" RIDGID Wallpipe Accessory

For a complete listing of RIDGID equipment available for these tools, see the Ridge Tool Catalog online at RIDGID.com or see *Contact Information*.

Disposal

Parts of these tools contain valuable materials and can be recycled. There are companies that specialize in recycling that may be found locally. Dispose of the components in compliance with all applicable regulations. Contact your local waste management authority for more information.

Dégorgeoirs FlexShaft™ K9-102+ et K9-204+



⚠ AVERTISSEMENT!

Lisez ce manuel dans son intégralité avant d'utiliser cet appareil. Tout manque de compréhension ou de respect des consignes ci-après augmenterait les risques de choc électrique, d'incendie et/ou de graves lésions corporelles.

RIDGID®

Table des matières

Symboles de sécurité	21
Consignes générales de sécurité	
Sécurité des lieux.....	21
Sécurité électrique.....	21
Sécurité individuelle.....	22
Utilisation et entretien des outils.....	22
Service après-vente.....	22
Consignes de sécurité spécifiques	22
Sécurité du dégorgeoir.....	22
Coordonnées RIDGID®	23
Description	23
Caractéristiques techniques	24
Caractéristiques – Perceuses à piles acceptables.....	24
Equipements de base.....	25
Inspection préalable	25
Préparation du dégorgeoir et du chantier	26
Préparation et utilisation de la perceuse à piles	27
Gâchette.....	27
Vitesse.....	27
Réglage de l'embrayage.....	28
Montage et réglage des chaînes de curage	29
Mode d'emploi	31
Vidange du tambour.....	35
Transport.....	35
Remisage	35
Consignes d'entretien	35
Nettoyage.....	35
Lubrification.....	35
Remplacement du câble.....	35
Dépannage.....	36
Révisions et réparations.....	37
Accessoires	37
Recyclage	37
Déclaration de conformité CE	Verso de page de la garde
Garantie à vie	Page de garde

*Texte d'origine en anglais

Symboles de sécurité

Les symboles et mots clés utilisés à la fois dans ce mode d'emploi et sur l'appareil lui-même servent à signaler d'importants risques de sécurité. Ce qui suit permettra de mieux comprendre la signification de ces mots clés et symboles.



Ce symbole sert à vous avertir de risques d'accident potentiels. Le respect des consignes qui le suivent vous permettra d'éviter les risques d'accident grave ou potentiellement mortel.

⚠ DANGER

Le terme DANGER signifie une situation dangereuse qui, faute d'être évitée, provoquerait la mort ou de graves blessures corporelles.

⚠ AVERTISSEMENT

Le terme AVERTISSEMENT signifie une situation dangereuse potentielle qui, faute d'être évitée, serait susceptible d'entraîner la mort ou de graves blessures corporelles.

⚠ ATTENTION

Le terme ATTENTION signifie une situation dangereuse potentielle qui, faute d'être évitée, serait susceptible d'entraîner des blessures corporelles légères ou modérées.

AVIS IMPORTANT

Le terme AVIS IMPORTANT indique des informations concernant la protection des biens.



Ce symbole indique la nécessité de bien se familiariser avec la notice d'emploi avant d'utiliser ce matériel. La notice d'emploi renferme d'importantes consignes de sécurité et d'utilisation du matériel.



Ce symbole impose le port systématique de lunettes de sécurité étanches ou à ceillères lors de la manipulation ou utilisation de ce matériel afin de limiter les risques de lésion oculaire.



Ce symbole signale un risque d'enlèvement, d'enchevêtrement ou d'écrasement des membres par le câble FlexShaft.



Ce symbole signale un risque de choc électrique.



Ce symbole signale un risque frappe, d'enchevêtrement et d'écrasement des doigts ou autres membres par la chaîne de curage.



Ce symbole souligne la nécessité de porter des gants lors de la manipulation et utilisation de ce matériel afin de limiter les risques d'infection, de brûlure ou autres lésions graves provoquées par le contenu des conduites d'évacuation.

Consignes générales de sécurité

⚠ AVERTISSEMENT

Familiarisez-vous avec l'ensemble des consignes de sécurité et d'utilisation, les graphiques et caractéristiques techniques du manuel fourni avec l'appareil. Le non-respect de l'ensemble des consignes suivantes augmenterait les risques de choc électrique, d'incendie et/ou de grave blessure corporelle.

CONSERVEZ CES CONSIGNES !

Sécurité des lieux

- **Assurez-vous de la propreté et du bon éclairage des lieux.** Les chantiers encombrés ou mal éclairés sont une invitation aux accidents.
- **N'utilisez pas d'appareils électriques en présence de substances volatiles telles que liquides, gaz ou poussières combustibles.** Ce type de matériel risque de produire des étincelles susceptibles

d'enflammer les poussières et émanations combustibles.

- **Eloignez les enfants et les curieux lors de l'utilisation des appareils électriques.** Les distractions risquent de vous faire perdre le contrôle de l'appareil.
- **Ne travaillez que sur un sol sec et dépourvu de matières grasses (huile, etc.).** Les sols glissants invitent les accidents.

Sécurité électrique

- **Évitez tout contact avec des objets reliés à la terre tels que canalisations, radiateurs, cuisinières et réfrigérateurs.** Tout contact avec la terre augmenterait les risques de choc électrique.
- **N'exposez pas les appareils électriques à la pluie ou aux intempéries.** Toute pénétration d'eau à l'intérieur d'un appareil électrique augmenterait les risques de choc électrique.
- **Lorsque l'utilisation d'un appareil électrique dans un lieu humide est inévitable, prévoyez une alimentation équipée**

d'un disjoncteur différentiel. L'utilisation d'un disjoncteur différentiel limite les risques de choc électrique.

Sécurité individuelle

- **Soyez attentif, restez concentré et faites preuve de bon sens lors de l'utilisation de ce type d'appareil. Ne jamais utiliser d'appareil électrique lorsque vous êtes fatigué ou sous l'influence de drogues, de l'alcool ou de médicaments.** Lors de l'utilisation d'un appareil électrique, un instant d'inattention risque d'entraîner de graves lésions corporelles.
- **Prévoyez les équipements de protection individuelle appropriés. Portez systématiquement une protection oculaire.** Selon le cas, le port d'un masque à poussière, de chaussures de sécurité antidérapantes, du casque ou d'une protection auriculaire aidera à limiter les risques de lésion corporelle.
- **Ne vous mettez pas en porte-à-faux. Maintenez une bonne assiette et un bon équilibre à tout moment.** Cela assurera un meilleur contrôle de l'appareil en cas d'imprévu.

Utilisation et entretien du matériel

- **Ne jamais forcer le matériel. Prévoyez le matériel le mieux adapté aux travaux envisagés.** L'outil approprié produira de meilleurs résultats et un meilleur niveau de sécurité lorsqu'il fonctionne au régime prévu.
- **Ranger tout matériel non utilisé hors de la portée des enfants. Son utilisation doit être exclusivement réservé à du personnel compétent.** Ce type de matériel serait dangereux entre les mains d'un novice.
- **Assurer l'entretien approprié du matériel. S'assurer de l'absence d'éléments grippés ou endommagés, voire toute autre anomalie susceptible de nuire à son bon fonctionnement et à sa sécurité. Ne pas utiliser de matériel endommagé avant sa réparation.** De nombreux accidents sont le résultat de matériels mal entretenus.
- **Assurer la parfaite propreté de poignées et autres points de prise-en-main.** Cela assurera un meilleur contrôle du matériel.

Service après-vente

- **Confiez la maintenance de tout appareil à un réparateur qualifié utilisant exclusivement des pièces de rechange identiques aux pièces d'origine.** Cela assurera la sécurité opérationnelle de l'appareil.

Consignes de sécurité spécifiques

⚠ AVERTISSEMENT

La section suivante contient d'importantes consignes de sécurité visant ce type de matériel en particulier.

Afin de limiter les risques de choc électrique et autres lésions corporelles graves, familiarisez-vous avec celles-ci avant d'utiliser le dégorgeoir FlexShaft™.

CONSERVEZ CES CONSIGNES POUR FUTURE REFERENCE !

Gardez ce manuel à portée de main de tout utilisateur éventuel.

Sécurité du dégorgeoir FlexShaft

- **Portez systématiquement des lunettes de sécurité et des gants lors de la manipulation ou utilisation du dégorgeoir.** Afin de limiter les risques d'infection, brûlure ou autres graves lésions corporelles, prévoyez des gants en latex ou caoutchouc, une visière, des vêtements de protection, un respirateur ou autres équipements de protection appropriés en présence de produits chimiques, bactéries ou autres substances potentiellement toxiques ou infectieuses.
- **Ne jamais utiliser de perceuse électrique.** L'utilisation d'une perceuse électrique augmenterait les risques de choc électrique et autres blessures.
- **Ne jamais permettre à la chaîne de coupe ou l'embout du câble de s'immobiliser lorsque la gâchette de la perceuse est engagée.** Cela risque de forcer le câble au point de se vriller, se plisser ou se rompre et provoquer de graves blessures corporelles.
- **Respectez les consignes d'hygiène établies. Ne jamais manger ou fumer lors de la manipulation ou utilisation du matériel. En fin d'opération, lavez vos**

mains et autres parties du corps exposées au contenu de la conduite à l'eau chaude savonneuse. Cela limitera les risques sanitaires associés à la présence de résidus toxiques ou infectieux.

- **N'utilisez le dégorgeoir FlexShaft que pour les sections de conduite prescrites.** L'emploi d'un dégorgeoir inapproprié augmenterait les risques de vrillage, plissage ou rupture du câble et augmenterait les risques de blessure.
- **Gardez une main sur le câble à tout moment lorsque le dégorgeoir FlexShaft tourne.** Cela assurera un meilleur contrôle du câble et limitera les risques de son vrillage, plissage ou rupture, ainsi que les risques de blessure.
- **Positionnez le dégorgeoir à moins de 3' (1 m) de l'accès à la canalisation ou soutenez son câble de manière appropriée lorsque cette distance dépasse 3' (1 m).** Un écartement supérieur rendrait le câble plus difficile à contrôler et augmenterait les risques de vrillage, plissage ou rupture. Un câble vrillé, plissé ou rompu augmenterait les risques de blessure corporelle.
- **Un seul individu doit pouvoir contrôler à la fois le câble et la perceuse à piles.** Ne jamais bloquer la gâchette de la perceuse en cours d'utilisation. Si le câble cesse de tourner, l'utilisateur doit pouvoir lâcher la gâchette de la perceuse à tout moment afin d'éviter qu'il se vrille, se plisse ou se casse dangereusement.
- **Ne portez ni d'accessoires vestimentaires, ni de bijoux. Éloignez vos cheveux et vos vêtements des mécanismes.** Les accessoires vestimentaires, les bijoux et les cheveux risqueraient d'être entraînés dans le mécanisme.
- **Ne pas utiliser ce dégorgeoir avec les pieds (les vôtres ou les siens) dans l'eau.** Cela augmenterait les risques de choc électrique.
- **Ne pas l'utiliser en cas de risque de contact avec d'autres services (gaz naturel, électriques, etc.) en cours d'opération.** Il est recommandé d'effectuer une inspection visuelle préalable de la conduite à l'aide d'une caméra. D'éventuels forages transversaux, réseaux para-

sites ou conduites détériorées risqueraient d'être heurtés et endommagés. Cela augmenterait les risques de choc électrique, fuites de gaz, incendie, explosion ou autre dégâts et blessures graves.

- **Familiarisez-vous avec les consignes ci-présentes ainsi qu'avec celles visant la perceuse à piles et tout autre matériel utilisé avant d'utiliser cet appareil.** Le non-respect de l'ensemble de ces instructions augmenterait les risques de dégâts matériels et d'accident grave.

Coordonnées RIDGID

En cas de questions concernant ce produit RIDGID® veuillez :

- Consulter le distributeur RIDGID le plus proche.
- Visiter le site RIDGID.com afin de localiser le représentant RIDGID le plus proche.
- Consulter les services techniques Ridge Tool par courriel adressé à ProToolsTech-Service@Emerson.com, ou bien, à partir des États-Unis et du Canada, en composant le 844-789-8665.

Description

Les dégorgeoirs RIDGID® FlexShaft™ K9-102+ et K9-204+ servent au curage et détartrage des conduites et canalisations d'évacuation stipulées dans la section *Caractéristiques techniques*.

La rotation des dégorgeoirs FlexShaft est assurée par une perceuse à piles fournie par l'utilisateur. L'avancement et le retrait du câble du dégorgeoir FlexShaft se font manuellement. Une chaîne de curage racle le tuyau pour déloger les obstacles et nettoyer ses parois. Des chaînes de curage à couteaux au carbure sont disponibles pour éliminer les racines et détartrer les conduites. Les chînes ordinaires servent au nettoyage général des conduites, notamment des graisses. Les dégorgeoirs FlexShaft sont particulièrement bien adaptés aux curages associés aux inspections par caméra.

Les dégorgeoirs FlexShaft sont à la fois légers, compacts et faciles à transporter.

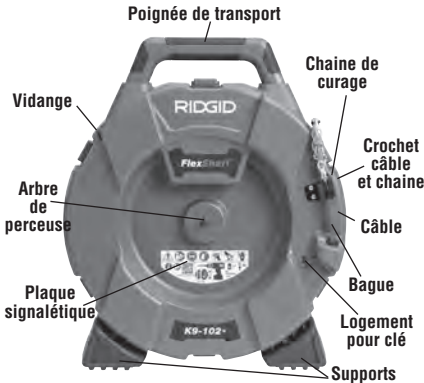


Figure 1A – Dégorgeoir RIDGID® FlexShaft

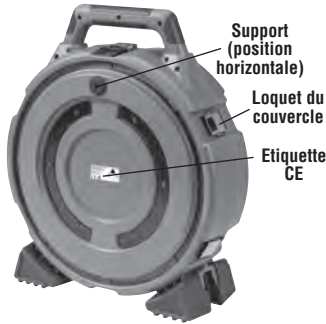


Figure 1B – Dégorgeoir RIDGID® FlexShaft

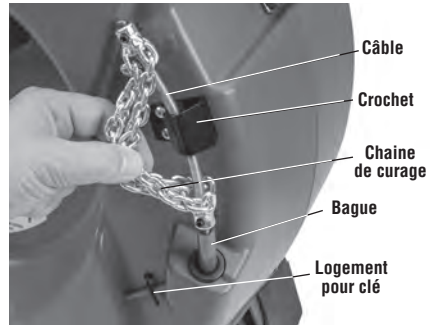


Figure 1C – Embout de câble avec chaîne de curage

Il est déconseillé d'utiliser les dégorgeoirs FlexShaft pour le curage des conduites en verre, céramique, porcelaine ou similaires car cela pourrait les endommager.

Caractéristiques des perceuses à piles acceptables

- Vitesse de rotation... 1800 à 2500 t/min
- Ouverture du mandrin minimum 3/8"
- Embrayage A couple réglable
- Type de gâchette Contact momentané
- Verrou de gâchette..... sans

La perceuse doit comporter le logo d'homologation approprié correspondant au marché visé (logo « CE », logo « c(us), etc.).

Caractéristiques techniques

Modèle.....	K9-102+	K9-204+
ø conduite (nominal)	1 1/4" à 2" (32 à 50 mm)	2" à 4" (50 à 100 mm)
ø câble (sans gaine)	1/4" (6 mm)	5/16" (8mm)
ø câble gainé.....	3/8" (9,5 mm)	1/2" (12,7 mm)
Longueur de câble gainé	50' (15,2 m)	70' (21,3 m)
Vitesse de rotation.....	2500 t/min maxi	2500 t/min maxi
Arbre d'entraînement.....	6-pans ø 5/16" (8 mm)	6-pans ø 5/16" (8 mm)
Poids (sans perceuse ou chaîne)	24,3 lbs. (11 kg)	38,2 lbs. (17,3 kg)
Dimensions (sans perceuse)	19,2" x 7,5" x 22,1" (488 mm x 191 mm x 562 mm)	21,1" x 10,8" x 24,2" (536 mm x 274 mm x 615 mm)
Température de fonctionnement.....	20°F à 140°F (-6°C à 60°C)	20°F à 140°F (-6°C à 60°C)

Ne jamais utiliser de perceuse électrique sur secteur, de perceuse à percussion ou de clé à chocs. L'utilisation de perceuses inappropriées augmenterait les risques d'accident et bris du matériel. *Se reporter à la section 'Préparation et utilisation de la perceuse à piles'.*

Equipements de base

Reportez-vous au catalogue RIDGID pour les équipements fournis avec chaque modèle de dégorgeoir référencé.

AVIS IMPORTANT Ce dégorgeoir est prévu pour le curage des canalisations. Correctement utilisé, il n'endommagera pas les conduites en bon état et correctement conçues, installées et entretenues. En présence de conduites mal conçues, installées ou entretenues, le processus de curage risque d'être inefficace ou même endommager le réseau. Le meilleur moyen de vérifier l'état d'une conduite avant son curage est par inspection visuelle à l'aide d'une caméra. L'utilisation inappropriée de ce dégorgeoir risque d'endommager à la fois l'appareil et la conduite. Il se peut que ce type de dégorgeoir n'arrive pas à franchir tous types de blocage.

Inspection préalable

⚠ AVERTISSEMENT



Examinez le dégorgeoir avant chaque intervention afin de rectifier toute anomalie éventuelle et limiter les risques de blessure grave tels que choc électrique, vrillage ou rupture de câble, brûlure chimique, infection, etc., et afin d'éviter d'endommager l'appareil.

Portez systématiquement une protection oculaire ainsi que les autres équipements de protection appropriés lors de l'inspection du dégorgeoir.

1. Nettoyez le dégorgeoir, notamment au niveau de ses poignées et ses commandes. Cela facilitera son inspection et limitera les risques qu'il s'échappe de vos mains. Reportez-vous aux consignes d'entretien pour le nettoyage et la maintenance du dégorgeoir.
2. Couvrez les points suivants lors de cette inspection :

- Assemblage approprié et intégralité de l'appareil.
- Signes d'éléments brisés, usés, manquants, désalignés ou grippés.
- Présence et lisibilité de l'étiquette d'avertissement.

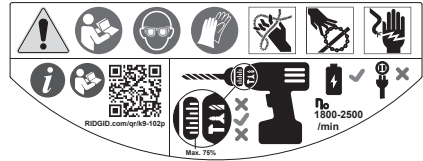


Figure 2 – Etiquette d'avertissement

- Le libre avancement et retrait du câble gainé à l'intérieur du dégorgeoir.
- Toute anomalie éventuelle qui serait susceptible de nuire à la sécurité et au bon fonctionnement de l'appareil.

Rectifiez toute anomalie éventuelle avant d'utiliser le dégorgeoir.

3. Nettoyez soigneusement le câble gainé et les chaînes de curage. Examinez la gaine pour signes d'usure ou de détérioration. Celle-ci ne devrait présenter aucun signe de coupure, de plissage, de rupture ou d'usure excessive. Examinez le câble au niveau de la chaîne de curage. Les câbles gainés ne devraient pas être tordus ou malformés. Les torons du câble doivent être serrés et ne présenter aucune séparation. Examinez la chaîne de curage pour signes de détérioration, d'usure ou, le cas échéant, de manque de dents au carbure. Une chaîne endommagée ou usée par plus de 25% de l'épaisseur de ses maillons doit être remplacée. Remplacez tout élément usé ou endommagé avant d'utiliser le dégorgeoir. Assurez-vous que la chaîne de curage est correctement installée et arrimée au câble.
4. Examinez la perceuse à piles selon les consignes la concernant. Vérifiez le bon fonctionnement de la perceuse et de ses commandes. Assurez-vous que la perceuse est conforme aux caractéristiques prévues et qu'elle est correctement réglée pour fonctionner avec le dégorgeoir.
5. Examinez et maintenez tout autre matériel utilisé selon les consignes correspondantes afin de vous assurer de son bon fonctionnement.

Préparation du dégorgeoir et du chantier

⚠ AVERTISSEMENT



Préparez le dégorgeoir et le chantier selon la procédure suivante afin de limiter les risques de choc électrique, incendie, renversement du dégorgeoir, vrillage ou rupture de câble, brûlure chimique, infection, etc., et afin d'éviter d'endommager le dégorgeoir lui-même.

Lors de la préparation du dégorgeoir, portez systématiquement des lunettes de sécurité ainsi que tout autre équipement de protection approprié.

1. Trouvez un emplacement approprié. Situez le dégorgeoir dans un endroit dégagé, de niveau, stable et au sec. Ne jamais utiliser le dégorgeoir lorsque vous avez les pieds dans l'eau.
2. Examinez la conduite à curer. Si possible, déterminez son ou ses points d'accès, sa ou ses section(s), sa ou ses longueur(s), sa ou ses composition(s), la distance jusqu'à l'égout, la nature du blocage, la présence éventuelle de produits chimiques, etc.

En présence de produits chimiques, il est impératif de connaître la nature spécifique du produit et les mesures de sécurité qu'il convient de prendre en sa présence. Consultez le fabricant du produit pour les consignes applicables. Vérifier qu'il n'existe aucun autre réseau à l'intérieur de la conduite ou à proximité de celle-ci afin de limiter les risques de dégâts. Une inspection par caméra de la conduite est toujours préférable.

Au besoin, retirez l'élément sanitaire (cuvette de W.C., etc.) pour accéder directement à la conduite d'évacuation. Ne tentez jamais de faire passer une chaîne de curage via un élément sanitaire. Cela pourrait à la fois endommager la chaîne et l'élément en question.

De meilleurs résultats seront obtenus lorsqu'un filet d'eau est maintenu dans la conduite au cours de son curage afin d'en chasser les débris. Dans le cas d'éviers ou de lavabos équipés de siphons de 1¼" ou

1½" de diamètre, il existe des manchons découpés temporaires qui permettent à la fois d'assurer un écoulement d'eau continu et l'introduction du câble (Figure 3). Dans ce cas, il convient de placer un récipient sous le manchon pour récupérer les débordements éventuels.

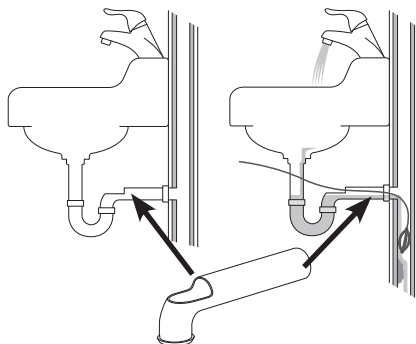


Figure 3 – Montage de manchon découpé

3. Prévoyez le matériel approprié en fonction de l'intervention envisagée en vous reportant à la section *Caractéristiques techniques*. Les dégorgeoirs prévus pour d'autres applications sont indiqués dans le catalogue Ridge Tool en ligne à RIDGID.com.
4. Assurez-vous que l'ensemble du matériel utilisé a été correctement inspecté.
5. Au besoin, bâchez la zone de travail. Le processus de curage risque d'être salissant.
6. Posez le dégorgeoir au sol avec son arbre d'entraînement vers le haut. Le dégorgeoir devrait reposer fermement et sans bouger. N'utilisez pas le dégorgeoir avec son arbre d'entraînement à l'horizontale afin de limiter les risques de renversement.
7. Retirez le bloc-piles de la perceuse. Préparez la perceuse selon les indications de la section '*Préparation et utilisation de la perceuse à piles*'. Serrez le mandrin de la perceuse sur l'arbre du dégorgeoir (Figure 4).

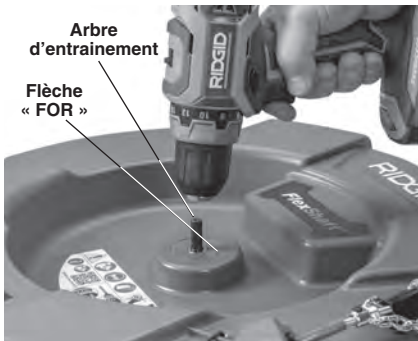


Figure 4 – Montage de la perceuse sur l'arbre d'entraînement



Figure 5 – Exemple d'une prolongation de conduite arrivant à moins de 3' du dégorgeoir

8. Positionnez le dégorgeoir à moins de 3' (1 m) du point d'accès à la conduite. Une distance supérieure du point d'accès augmenterait les risques de vrillage ou plissage du câble gainé. Si le dégorgeoir FlexShaft ne peut pas être situé à moins de 3' (1 m) du point d'accès, prolongez ce dernier à l'aide de tuyaux et raccords de section semblable (Figure 5). Un câble gainé mal soutenu risque de se vriller ou se tordre au point d'endommager le câble ou blesser l'utilisateur. La prolongation du point d'accès a aussi l'avantage de faciliter l'avancement du câble gainé le long de la conduite.
9. Enlever la chaîne de curage de son crochet, puis retirez environ 4' (1,20 m) de câble gainé du dégorgeoir.
10. Mettez un repère sur la gaine pour indiquer la proximité de la chaîne de curage lors de son retrait. Ceci peut se faire à l'aide d'un ruban adhésif. Cela limitera les risques de fouettement de la chaîne lorsqu'elle atteint l'ouverture de la conduite. Si cette distance dépend de la configuration de la conduite, elle devrait se trouver au minimum à 4' (1,20 m) de la chaîne.
11. Assurez-vous que la chaîne de curage est correctement installée (reportez-vous à la section Montage et réglage de la chaîne de curage).
12. Introduisez la chaîne de curage dans la conduite sur une distance minimale de 1' (30 cm).
13. Évaluez le besoin éventuel d'établir un périmètre de sécurité autour du chantier destiné à éloigner les curieux lors du processus de curage. Ce processus est parfois salissant, et les curieux risquent de distraire l'utilisateur.
14. Positionnez le dégorgeoir de manière à pouvoir y accéder facilement. Vous devez pouvoir tenir et contrôler le câble gainé en même temps que la gâchette de la perceuse.
15. Avec les mains sèches, insérez le bloc-piles dans la perceuse.

Préparation et utilisation de la perceuse à pile

Reportez-vous à la section *Caractéristiques techniques* en même temps que la présente section pour de plus amples renseignements sur les perceuses à piles adaptées aux dégorgeoirs FlexShaft. S'il existe de nombreux types de perceuse à piles, toutes ne sont pas compatibles avec les dégorgeoirs FlexShaft. En cas de doute concernant la compatibilité d'une perceuse particulière, ne pas l'utiliser. Retirez le bloc-piles de la perceuse avant tout réglage ou son montage ou retrait du dégorgeoir.

Gâchette de la perceuse

La perceuse doit être équipée d'une gâchette à contact momentané et non verrouillable. Cela assurera que la perceuse ne fonctionnera que lorsque l'utilisateur continue d'appuyer sur sa gâchette. Le fait de lâcher la gâchette arrête la perceuse. Mettez la perceuse en position « FOR » (marche avant) selon la Figure 4.

Régime de rotation de la perceuse

Lors de l'utilisation du dégorgeoir FlexShaft, le régime de rotation de la perceuse doit être

situé entre 1800 et 2500 t/min. Un régime plus proche du maximum de 2500 t/min optimisera l'efficacité des chaînes de curage. Pour ce faire, reportez-vous aux caractéristiques et réglages de la perceuse à piles utilisée. De nombreuses perceuses à piles disposent de plusieurs réglage de vitesse, et leur vitesse maximale se situe typiquement dans la plage opératoire du matériel FlexShaft. Reportez-vous à la *Figure 6* pour un exemple de réglage de vitesse de rotation de la perceuse. Ne pas utiliser le dégorgeoir à un régime de rotation supérieur à 2500 t/min.

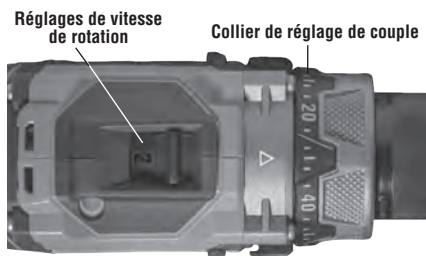


Figure 6 – Réglages de la perceuse

Réglage de couple

Utilisez exclusivement une perceuse à piles équipée d'un système d'embrayage correctement réglé. Cela limitera les risques de vrillage du câble à l'intérieur du tambour et, par conséquent, de torsion de la poignée de la perceuse.

Les perceuses à piles équipées d'un système d'embrayage réglable sont généralement équipées d'un collier de réglage de couple (*Figure 6*) avec chiffres ascendants indiquant la résistance nécessaire avant son débrayage. Ce type de système d'embrayage sert souvent au vissage des vis auto-taraudeuse dont l'icône (☛) doit être engagé pour que le régulateur de couple puisse fonctionner. Lors de son débrayage, le moteur continue de fonctionner, mais sans entraîner le mandrin. Cela s'accompagne souvent de vibrations ou de bruits au niveau de la perceuse.

Les perceuses à piles sont souvent aussi équipées de modes opératoires « Perçage » (☛) ou « Percussion » (☛). **Puisque ces deux modes opératoires empêchent l'utilisation du régulateur de couple, ils ne doivent jamais être utilisés avec le dégorgeoir FlexShaft.**



Figure 7 – Mode opératoire approprié

Lors du lancement du dégorgeoir FlexShaft, réglez le couple de la perceuse à environ 25% de son couple maximal. Par exemple, si le collier de réglage de couple est gradué de « 1 » à « 20 », commencez à la position « 5 ».

Procédez au curage de la canalisation de la manière suivante. Pour obtenir les meilleurs résultats à l'encontre d'un blocage, faites tourner la perceuse à vitesse maximale. Ne tentez pas de forcer la chaîne de curage à travers le blocage, car il lui faudra tourner à plein régime pour le franchir. En cas de ralentissement, ramenez la chaîne suffisamment en arrière pour qu'elle puisse reprendre son plein régime. Si, en cours d'opération, le système d'embrayage de la perceuse débraye, lâchez la gâchette et retirez le câble de la canalisation. Assurez-vous que le montage et l'utilisation du dégorgeoir sont adaptés aux besoins du chantier. La sélection de la chaîne de curage la mieux adaptée (*Figure 9*) et le réglage de la perceuse sont d'une importance capitale. Effectuez les modifications nécessaires avant de procéder.

Si la perceuse continue de débrayer en cours d'opération, augmentez son couple progressivement jusqu'à un maximum de 75% de son couple maxi. (C'est à dire que si le collier de réglage de couple est gradué de « 1 » à « 20 », ne dépassez pas la position « 15 ».) **Ne jamais aller au-delà de 75% du couple maxi de la perceuse. Ne jamais mettre la perceuse en mode « perçage » (☛) ou en mode « percussion » (☛), car cela neutraliserait le régulateur de couple, ce qui augmenterait les risques d'endommager le câble à l'intérieur du tambour du dégorgeoir.**

Si la perceuse continue de débrayer même à 75% de son couple maxi, il serait bon d'envisager l'utilisation d'un autre type de dégorgeoir RIDGID.

Montage et réglage de la chaîne de curage

1. Choisissez la chaîne de curage la mieux adaptée aux conditions présentes.

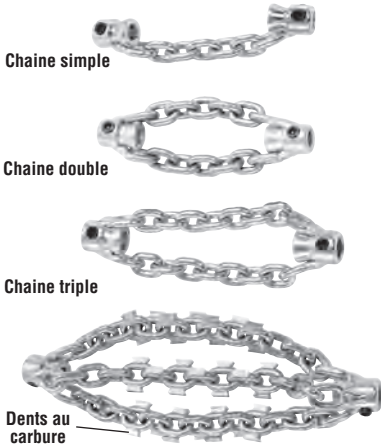


Figure 8 – Chaînes de curage

Les chaînes de curage sont dimensionnées en fonction de la section intérieure de leurs colliers et la section du câble utilisé, les chaînes de curage de $\frac{1}{4}$ " se montent sur les câbles de $\frac{1}{4}$ " etc. Ne jamais tenter de monter une chaîne de curage dont le diamètre est supérieur à celui du câble utilisé (i.e., $\frac{5}{16}$ " sur $\frac{1}{4}$ "). Reportez-vous à la Figure 8 et au tableau des distances de collier.

Les chaînes de curage sans dents au carbure peuvent être utilisées dans les conduites courantes. Ce type de chaîne est très bien adapté au déblocage des amas de graisse et similaires.

Les chaînes de curage équipées de dents au carbure sont prévues pour le détartrage des parois de conduite et peuvent servir à l'élimination de racines. Les dents au carbure servent aux curages agressifs et risquent d'endommager les conduites, notamment celles en matière plastique ou en Orangeburg, ainsi que les tuyaux à parois minces, ou si la chaîne tourne trop longtemps au même endroit. Se reporter à la Figure 9 : Tableau de sélection des chaînes de curage.

Ne pas utiliser les chaînes de curage pour le dégorgement des éléments ou tuyaux en verre, céramique, porcelaine ou simi-

laire. Ceux-ci risqueraient d'être endommagés.

2. La Figure 10 est un schéma du montage et réglage d'une chaîne de curage. Deux points principaux sont à considérer lors du montage et réglage des chaînes de curage.

Ecartement des colliers : L'écart entre ses colliers détermine le mou de la chaîne lors de sa rotation afin qu'elle puisse nettoyer les parois de tuyau efficacement. Cet écart est déterminé en fonction la section du câble et de la section de la conduite en utilisant un morceau de gaine de longueur prédéterminée. Lorsqu'une souplesse de câble supplémentaire est nécessaire pour le franchissement d'un coude, la gaine d'écartement peut être retirée, et la distance entre colliers peut être réglée au ruban. A noter que l'absence d'une gaine d'écartement augmente les risques de retournement et endommagement du câble. **Afin de limiter les risques d'endommager le câble, ne jamais utiliser une chaîne de curage équipée de dents au carbure sans une gaine d'écartement.**

Câble exposé : Minimisez la longueur de câble exposé (hors gaine). Plus le câble est exposé au-delà de la gaine, plus il risque de se retourner et de s'endommager en cours d'opération. La longueur de câble nu doit être limitée à $\frac{1}{4}$ " (6 mm) à l'aide d'un manchon fait d'un morceau de gaine (dit « manchon de chaîne »).

Une longueur de gaine est fournie avec le dégorgeoir et peut être obtenue séparément pour permettre la configuration spécifique nécessaire en fonction de votre application. Utilisez exclusivement de la gaine de dégorgeoir RIDGID FlexShaft de section correspondante à celle du câble utilisé. Les coupes de gaine doivent être propres et bien équerrées. Ne pas endommager le câble lors de la coupe des gaines.

3. Le serrage des vis de blocage de la chaîne de curage au câble se fait à l'aide de la clé Allen de 3 mm fournie. Desserrez les vis de blocage, puis retirez la chaîne de curage, la gaine d'écartement et le manchon de chaîne du câble.
4. Examinez l'embout de la gaine du câble pour signes d'usure ou de détérioration. L'embout de gaine doit être propre et d'équerre. Au besoin, il est possible de légèrement redresser l'embout de la gaine.

DÉGORGEUR K9-102+
DÉGORGEUR K9-204+


Chaines de curage



Chaines de curage au carbure



Chaines de curage



Chaines de curage au carbure

RÉF. CATALOGUE	64293	64298	64283	64288	64323	64328	64333	64308	64313	64318	
DESCRIPTION	K9-102+ 1,5"	K9-102+ 2"	K9-102+ 1,5" Carbure	K9-102+ 2" Carbure	K9-204+ 2"	K9-204+ 3"	K9-204+ 4"	K9-204+ 2" Carbure	K9-204+ 3" Carbure	K9-204+ 4" Carbure	
Ø TUYAU	1,25"-1,5" (32-40 mm)	1,5"-2" (40-50 mm)	1,25"-1,5" (32-40 mm)	1,5"-2" (40-50 mm)	2" (50 mm)	3" (75 mm)	4" (100 mm)	2" (50 mm)	3" (75 mm)	4" (100 mm)	
COMPOSITION DU TUYAU	CUIVRE	☑	☑	☑	☑	☑	☑	☑	☑	☑	
	GALVANISÉ	☑	☑	☑	☑	☑	☑	☑	☑	☑	
	FORTE	☑	☑	☑	☑	☑	☑	☑	☑	☑	
	PVC	☑	☑			☑	☑	☑			
	ABS	☑	☑			☑	☑	☑			
	ORANGEBURG	☑	☑			☑	☑	☑			
	ONDULÉ	☑	☑			☑	☑	☑			
	GRÈS	☑	☑			☑	☑	☑			
BLOCAGE	GRAISSE	☑	☑	☑	☑	☑	☑	☑	☑	☑	
	BLOCAGE MOU	☑	☑	☑	☑	☑	☑	☑	☑	☑	
	ENTARTRAGE			☑	☑			☑	☑	☑	
	PETITES RACINES			☑	☑			☑	☑	☑	
	COMPRISE DANS LE KIT	☑	☑			☑		☑			

Figure 9 : Tableau de sélection des chaines de curage.

Dégorgeoir	Ø Câble	Chaîne de curage			Écartement des colliers recommandé
		Nombre de chaînes	Nombre de maillons	Ø Conduite nominal	
K9-102+	1/4"	1	7	1 1/4" à 1 1/2" (32 mm à 38 mm)	1 3/4" (44,5 mm)
		2	7	1 1/2" à 2" (38 mm à 50 mm)	
K9-204+	5/16"	2	9	2" (50 mm)	2 1/2" (63,5 mm)
		3	13	3" (75 mm)	4" (101,6 mm)
		3	15	4" (100 mm)	4 1/2" (114,3 mm)

Tableau des écartements de collier

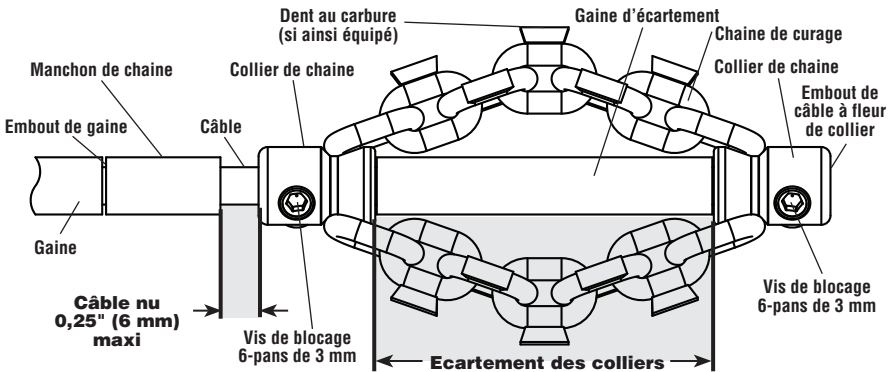


Figure 10 – Montage et réglage de la chaîne de curage

5. Au besoin, coupez un bout de gaine de longueur appropriée pour servir de gaine d'écartement en vous reportant au tableau intitulé *Tableau d'écartement des colliers*.

L'écartement des colliers peut être modifié à souhait en fonction de vos préférences et de la configuration de la conduite. Lorsque l'écartement entre colliers augmente, le diamètre des chaînes diminue et vice-versa. Un écartement entre colliers mal réglé risque de nuire à l'efficacité de la chaîne.

6. Faites un montage à blanc de la chaîne de curage, du manchon de chaîne et de la gaine d'écartement comme indiqué à la Figure 10. Les maillons de chaîne doivent être droits et sans replis. Afin d'éviter l'usure prématurée de l'embout du câble, celui-ci devrait arriver à fleur du collier.

Vérifiez la longueur de câble exposé. La longueur de câble exposé ne doit pas excéder 1/4" (6 mm) afin d'éviter qu'il se renverse et s'endommage. Au besoin, coupez une rondelle de gaine pour couvrir l'exposition excessive. **Prévoyez systématiquement une rondelle de chaîne afin de limiter l'usure de l'embout de la gaine de câble.**

7. Une fois la chaîne de curage correctement installée sur le câble comme indiqué à la Figure 10, serrez les vis de blocage des colliers à l'aide de la clé Allen fournie. Amenez la pointe de la vis de blocage contre le câble, puis serrez-la de 1/8 à 1/4 de tour (45° à 90°) de plus. Des vis de blocage mal serrées risquent de permettre le glissement de la chaîne de curage et endommager le câble ou perdre la chaîne dans la conduite.

Mode d'emploi

⚠ AVERTISSEMENT



Portez systématiquement des lunettes de sécurité et des gants en bon état lors de la manipulation ou utilisation du dégorgeoir. Afin de limiter les risques d'infection, de brûlure ou autres blessures, portez des gants en latex ou en caoutchouc, une visière, des vêtements de protection, un respirateur ou autre équipements de protection appropriés lorsque vous soupçonnez la présence de produits chimiques, bactéries ou autres substances toxiques ou infectieuses.

N'utilisez pas de perceuse électrique sur secteur. L'utilisation d'une perceuse sur secteur augmenterait les risques de choc électrique.

Ne permettez pas à la chaîne de curage en bout du câble de s'arrêter tant que la gâchette de la perceuse reste appuyée. Cela risquerait de mettre le câble en charge et provoquer le plissage ou la rupture du câble gainé, ce qui pourrait entraîner de graves blessures.

Respectez les règles d'hygiène d'usage. Ne jamais manger ou fumer lors de la manipulation ou utilisation du dégorgeoir. En fin d'opération, lavez vos mains et autres parties du corps exposées au contenu de la conduite à l'eau chaude savonneuse. Cela aidera à limiter les risques de contamination par d'éventuelles substances toxiques ou infectieuses.

Gardez une main sur le câble gainé à tout moment lorsque le dégorgeoir tourne. Cela permet de mieux contrôler le câble afin de l'empêcher de se vriller, se plisser ou se rompre, limitant ainsi les risques d'accident.

Positionnez le dégorgeoir FlexShaft à moins de 3' (1 m) du point d'accès à la conduite ou soutenez le câble exposé de manière appropriée lorsque cette distance dépasse 3' (1 m). Une distance supérieure augmenterait les risques de vrillage, plissage ou rupture du câble, et donc les risques de traumatisme ou d'écrasement des membres.

Un seul individu doit contrôler à la fois le câble gainé et la perceuse à piles. Ne jamais verrouiller la gâchette de la perceuse en cours d'opération. Si le câble cesse de tourner, l'utilisateur doit pouvoir lâcher la gâchette de la perceuse afin d'empêcher le vrillage, le plissage et la rupture du câble et limiter les risques de blessure.

Respectez les consignes d'utilisation afin de limiter les risques de vrillage, rupture ou fouettement du câble, de renversement du dégorgeoir, de brûlure chimique, d'infection, etc.

1. Vérifiez la préparation appropriée du dégorgeoir et du chantier, ainsi que l'absence de curieux et autres distractions.
2. Retirez le câble gainé du dégorgeoir, puis introduisez-le dans la conduite. Il faut avoir au moins 1' (30 cm) de câble à l'intérieur de la conduite afin d'empêcher la chaîne de curage de ressortir et fouetter lorsque le dégorgeoir est mis en marche.

Guidez le câble gainé du dégorgeoir jusqu'à la conduite en minimisant la distance et les changements de direction. Ne tordez pas le câble excessivement, car cela augmenterait les risques de vrillage et de rupture.

Lors de l'utilisation d'une caméra d'ins-

pection pour suivre le processus de curage, la caméra peut être enfilée dans la conduite simultanément. Typiquement, le câble gainé et celui de la caméra peuvent être tenus et avancés ou retirés ensemble. Maintenez la caméra à une distance minimale de 1,5' (50 cm) derrière la chaîne de curage.

AVIS IMPORTANT Ne jamais laisser une chaîne de curage en rotation heurter la tête ou le câble de la caméra. Cela pourrait les endommager.

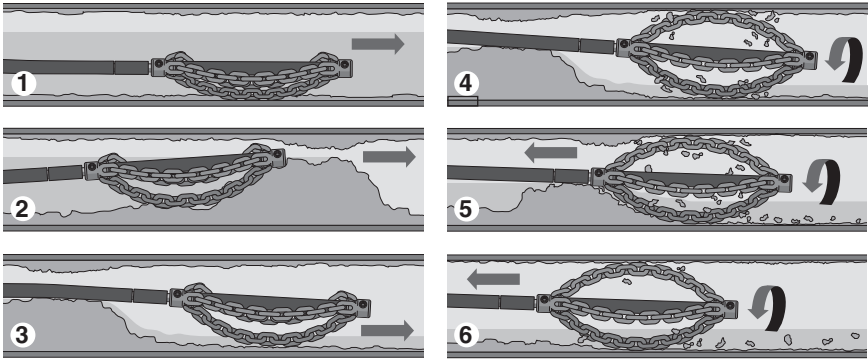
3. Tenez-vous de manière à pouvoir contrôler à la fois le câble gainé et la perceuse (Figure 11).
- Assurez-vous de pouvoir rapidement lâcher la gâchette de la perceuse.
 - Votre main gantée doit être sur le câble gainé afin de le contrôler et le soutenir lors de son avancement dans la conduite et contre le blocage.
 - Assurez-vous de pouvoir maintenir votre équilibre, de ne pas avoir à vous pencher sur le dégorgeoir et de ne pas risquer de tomber sur celui-ci, la conduite, etc. Une telle position de travail aidera à maintenir le contrôle du câble et du dégorgeoir FlexShaft.



Figure 11 – En position de travail

4. Vérifiez qu'au moins 1' (30 cm) de câble gainé est à l'intérieur de la conduite.
5. Assurez-vous de la préparation appropriée de la perceuse, puis appuyez

Principe de fonctionnement des dégorgeoirs FlexShaft (voir ci-dessous) :



1. Faites avancer la chaîne de curage (normalement sans qu'elle tourne) jusqu'à la partie de conduite nécessitant un curage.
2. En présence d'un blocage, faites passer la chaîne de curage à travers du blocage.
3. Si possible, maintenez un filet d'eau afin de chasser les débris de curage éventuels.
4. Faites tourner le câble avec chaîne de curage à plein régime.
5. Continuez de faire tourner la chaîne, tout en ramant le câble pour éliminer le blocage.
6. Continuez de ramener le câble progressivement pour permettre à la chaîne de curage de nettoyer les parois de conduite.

Figure 12 – Etapes de fonctionnement

momentanément sur sa gâchette pour vérifier son sens de rotation. Le sens de rotation de la perceuse devrait correspondre à la flèche « FOR » du tambour (Figure 4). N'utilisez la marche arrière que dans les cas précis indiqués plus loin. La rotation en marche arrière risque d'endommager l'arbre d'entraînement.

6. Posez une main sur le câble et l'autre sur la poignée de la perceuse.
7. Les dégorgeoirs FlexShaft font appel à un régime de rotation élevé à faible couple pour assurer le curage des conduites. Les câbles gainés du FlexShaft sont plus souples que les autres types de câbles de curage. Le meilleur moyen d'utiliser le dégorgeoir FlexShaft est de ralentir l'avancement du câble à la rencontre d'un blocage, puis de curer la canalisation en le retirant. **Il importe de laisser la vitesse de rotation de la chaîne se charger du curage de la conduite. Ne jamais tenter de forcer une chaîne de curage à travers un blocage.**
8. Avancement et retrait du câble gainé – Lubrifiant FlexShaft
Dans certains cas, il peut être bénéfique d'enduire la gaine du câble avec du lu-

briant RIDGID FlexShaft afin de faciliter son avancement le long de la conduite et permettre une plus grande distance de nettoyage. Pour ce faire, tenez une serviette propre enduite de lubrifiant dans votre main gantée afin d'enduire le câble gainé lorsque vous le faites avancer (Figure 13). Rajouter du lubrifiant à la serviette au fur et à mesure de l'avancement. La gaine du câble porte des repères tous les 5' (1,50 m) pour aider à déterminer la longueur de câble déjà déployé.

Utilisez exclusivement du lubrifiant RIDGID FlexShaft. D'autres types de lubrifiant risquent d'être inadaptés aux conduites d'évacuation ou risquent de contaminer l'eau.

Lors du retrait du câble gainé, il est préférable d'utiliser une serviette pour essuyer la gaine du câble au fur et à mesure de son retrait et de son rembobinage dans le tambour.

9. Lancement de la chaîne de curage

En fin d'opération, il est préférable de continuer à faire tourner la chaîne de curage durant le retrait du câble afin de parfaire le nettoyage de la canalisation.

Ne lancez la rotation de la chaîne de curage qu'après l'avoir introduite sur une distance minimale de 1' (30 cm) dans la conduite. Pour lancer la rotation du câble, tenez la poignée de la perceuse fermement, puis appuyez sur sa gâchette. L'individu qui contrôle le câble gainé doit aussi contrôler la gâchette de la perceuse. Ne pas utiliser le dégorgeoir avec un individu contrôlant le câble gainé et un autre, la perceuse. Ne pas permettre au câble de se mettre en charge et se déformer à l'extérieur de la conduite. Cela risquerait de provoquer son vrillage, son plissage ou sa rupture. Lâchez la gâchette à tout moment pour interrompre la rotation du câble. Pour obtenir de meilleurs résultats, faites tourner le câble à plein régime lors du dégagement des blocages. **Ne jamais tenter de forcer la chaîne de curage à travers un blocage.** Dans certains cas, une variation de régime aidera à franchir les coudes. L'utilisation momentanée de la marche avant ou marche arrière tout en faisant avancer le câble gainé peut éventuellement l'aider à négocier la conduite et les blocages.



Figure 13 – Application de lubrifiant sur la gaine du câble

10. De manière générale, il est préférable d'introduire le câble dans la conduite d'évacuation avant de lancer la perceuse. Tenez la gaine à proximité de la sortie du tambour du dégorgeoir. Tirez-en une longueur de 6" à 12" (15 cm à 30 cm) du tambour pour former une légère cour-

bure. Votre main gantée doit rester sur le câble gainé afin de le contrôler et le soutenir. Un câble mal soutenu risque de se plisser ou se tordre et s'endommager ou blesser l'utilisateur. Introduisez le câble gainé dans la conduite. (Figure 12-1)

11. Continuez de faire avancer le câble jusqu'à ressentir une résistance. Travaillez la chaîne de curage précautionneusement à travers le blocage. **Ne pas forcer le câble gainé – si la chaîne de curage ne tourne pas, elle ne peut pas nettoyer la conduite.** Faites attention à la distance parcourue par le câble. Ne laissez pas le câble atteindre une conduite plus grande. Cela pourrait entraîner le bouclage du câble ou autres dégâts. (Figure 12-2)
12. Une fois la conduite débouchée, établissez si possible un filet d'eau afin d'en chasser les débris et nettoyer le câble gainé lors de son retrait. Ceci peut se faire en ouvrant un robinet sur le réseau ou par d'autres méthodes. Faites attention au niveau de l'eau, car la conduite risque de se boucher à nouveau. (Figure 12-3)
13. Dès que la chaîne de curage a franchi le blocage ou la zone de curage, appuyez à fond sur la gâchette de la perceuse afin de relancer la rotation de la chaîne. Ramenez le câble gainé lentement en arrière le long de la conduite pour que la chaîne de curage nettoie ses parois et morcelle le blocage. (Figure 12-4/5) **Si le câble cesse de tourner, arrêtez la perceuse.** Ceci risquerait de provoquer le vrillage et plissage du câble. Lâchez la gâchette à tout moment pour arrêter la rotation du câble.

Notez le mouvement du câble dans votre main et le bruit produit par la perceuse, ainsi que celui de la chaîne de curage à l'intérieur de la conduite. Si l'embrayage de la perceuse se désengage, il est probable que le câble a cessé de tourner. *Se reporter aux réglages de couple de la section « Préparation »* Le cas échéant, ne mettez pas le régulateur de couple de la perceuse à la position « perçage ». Cela augmenterait le couple de la perceuse et risque de vous l'arracher des mains. Tenez la poignée de la perceuse fermement afin de mieux la contrôler.

Il sera peut-être nécessaire de sortir la chaîne de curage du blocage afin de lui permettre de retrouver son plein régime.

Si la chaîne de curage s'embourbe, l'utilisation momentanée de la marche arrière peut aider à la dégager. Afin d'éviter d'endommager le câble, n'utilisez pas la marche arrière pendant plus de quelques secondes à la fois. Dans certains cas, il sera possible de retirer le câble gainé et le blocage manuellement de la conduite. Le cas échéant, faites attention de ne pas endommager le câble gainé. Retirez le blocage de la chaîne de curage, puis prérenez le curage de la conduite comme précédemment indiqué.

Lors de l'utilisation d'une caméra, faites attention de ne pas ramener la chaîne de curage contre la tête ou le câble de celle-ci.

14. Continuez le curage du restant de la conduite en ramenant le câble. Une fois la conduite nettoyée, retirez le câble et rembobinez-le dans le dégorgeoir. Faites particulièrement attention durant ce processus, car le câble risque de s'entraver dans un blocage en cours d'opération. (Figure 12-6)
15. Gardez l'œil sur les repères de la gaine du câble lors du retrait. Lâchez la gâchette de la perceuse dès que la chaîne de curage s'approche du bout de la conduite. Ne jamais retirer la chaîne de curage tant qu'elle tourne. La chaîne risque de fouetter dangereusement.
16. Au besoin, répétez le processus précédent pour parfaire le curage.
17. Retirez le câble restant de la conduite manuellement, puis réintroduisez-le dans le tambour. Préparez le dégorgeoir pour son transport.

Vidange du tambour

Au besoin, il convient de retourner le dégorgeoir afin de le vidanger de liquides résiduels éventuels à l'aide du bouchon de vidange indiqué à la Figure 1.

Transport

Rembobinez le câble dans le tambour et accrochez la chaîne de curage sur son crochet. Retirez la perceuse de l'arbre d'entraînement. Ne pas laisser la perceuse en place lors du transport afin d'éviter le renversement et l'endommagement du dégorgeoir (Figure 1).

Remisage

AVIS IMPORTANT Rangez le dégorgeoir dans un local sec ou suffisamment protégé contre les intempéries. Gardez-le sous clé et hors de la portée des enfants et novices. Ce dégorgeoir peut devenir dangereux entre les mains d'individus n'ayant pas reçu la formation nécessaire.

Consignes d'entretien

⚠ AVERTISSEMENT

Retirez la perceuse du dégorgeoir avant toute intervention.

Portez systématiquement des lunettes de sécurité et autres équipements de protection appropriés lors de toute intervention.

Nettoyage

Il est conseillé d'utiliser une serviette pour essuyer le câble gainé lors de son retrait de la conduite pour être rembobiné dans le tambour. Cela aidera à assurer la propreté du tambour et limitera la probabilité que le câble gaine s'y colle. Au besoin, le câble gainé peut être retiré du dégorgeoir pour ouvrir et nettoyer le tambour de l'appareil.

Nettoyez le dégorgeoir avec de l'eau savonneuse chaude et/ou un désinfectant doux. Vidangez le dégorgeoir au besoin.

Lubrification

Les dégorgeoirs FlexShaft sont lubrifiés à vie par le fabricant.

Remplacement des câbles gainés

1. Retirez entièrement le câble gainé du dégorgeoir.
2. A l'aide de la clé Allen fournie (ou d'un outil semblable), ouvrez le loquet qui se trouve sous la poignée de transport (Figure 14). Gardez le carter fermé lors de l'ouverture des autres loquets.



Figure 14 – Ouverture du loquet sous la poignée de transport à l'aide de la clé Allen

3. Ouvrez le carter (Figure 15).

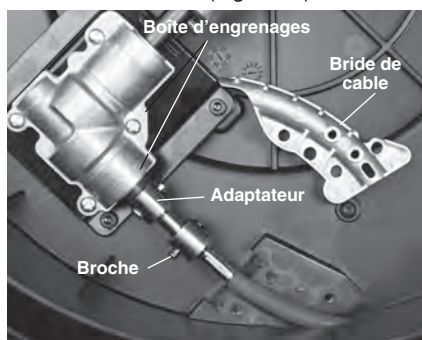


Figure 15 – Remplacement du câble gainé

4. Retirez les vis de la bride du câble, puis enlevez la bride (Figures 15 et 16).
5. Retirez la broche de détente du coupleur de câble.
6. Retirez le coupleur de câble de l'adaptateur, puis retirez le câble.
7. Inversez le processus lors du remontage, puis vérifiez le serrage de l'ensemble des fixations. Assurez-vous que la gaine est introduite jusqu'à l'extrémité de l'oculus de la bride de câble (Figure 16).

Dépannage

SYMPTÔME	CAUSE POSSIBLE	SOLUTION
Plissage ou rupture du câble.	Câble gainé en charge.	Ne forcez pas le câble gainé. Respectez les consignes du mode d'emploi.
	Type de dégorgeoir FlexShaft ou type de chaîne de curage inadapté à la section de la conduite.	Utilisez l'ensemble dégorgeoir FlexShaft et chaîne de curage adapté à la section de conduite.
	Perceuse en marche arrière.	N'utilisez la marche arrière que pour débloquer le câble.
	Câble exposé à l'acide ou corrodé.	Nettoyez le câble gainé régulièrement.
	Usure excessive du câble ou de la gaine.	Remplacez le câble gainé usé.
	Câble gainé mal soutenu.	Reportez-vous aux consignes visant le soutien approprié des câbles gainés.
Oscillation ou déplacement du dégorgeoir FlexShaft en cours de curage.	Chaîne de curage mal installée ou mal réglée.	Installez et réglez la chaîne de curage selon les <i>consignes correspondantes</i> .
	Perceuse inappropriée ou mal réglée.	Utilisez une perceuse appropriée et réglez selon les consignes correspondantes.
	Sol dénivélé	Posez le dégorgeoir sur une surface stable et de niveau.

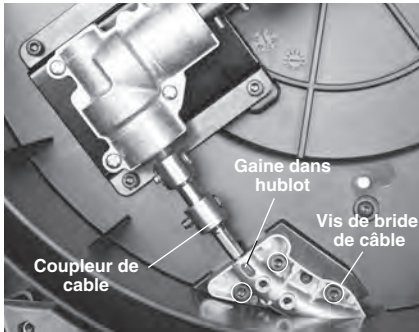


Figure 16 – Remplacement du câble

Révisions et réparations

⚠ AVERTISSEMENT

Le manque de révision ou de réparation du dégorgeoir risque de le rendre dangereux.

La rubrique *Entretien* devrait couvrir la majorité des besoins de l'appareil. Tout problème qui ne serait pas adressé dans cette rubrique devra être confié à un réparateur RIDGID agréé. N'utiliser que des éléments ou pièces de rechange RIDGID.

Consultez la section *Coordonnées* RIDGID du présent manuel pour les coordonnées du réparateur RIDGID le plus proche et pour réponse à d'éventuelles questions visant la révision ou réparation de ces produits.

Accessoires

⚠ AVERTISSEMENT

Afin de limiter les risques d'accident grave, n'utilisez que ses accessoires spécifiquement prévus pour les dégorgeoirs RIDGID FlexShaft, tels que ceux indiqués ci-après.

Réf. catalogue	Désignation
64283	Chaîne de curage dentée simple pour câble $\varnothing 1/4"$ et conduites $\varnothing 1 1/2"$ à $2"$
64288	Chaîne de curage dentée double pour câble $\varnothing 1/4"$ et conduites $\varnothing 2"$
64293	Chaîne de curage simple pour câble $\varnothing 1/4"$ et conduites $\varnothing 1 1/2"$ à $2"$
64298	Chaîne de curage double pour câble $\varnothing 1/4"$ et conduites $\varnothing 2"$
64308	Chaîne de curage dentée double pour câble $\varnothing 5/16"$ et conduites $\varnothing 2"$
64313	Chaîne de curage dentée triple pour câble $\varnothing 5/16"$ et conduites $\varnothing 3"$
64318	Chaîne de curage dentée triple pour câble $\varnothing 5/16"$ et conduites $\varnothing 4"$
64323	Chaîne de curage double pour câble $\varnothing 5/16"$ et conduites $\varnothing 2"$
64328	Chaîne de curage triple pour câble $\varnothing 5/16"$ et conduites $\varnothing 3"$
64333	Chaîne de curage triple pour câble $\varnothing 5/16"$ et conduites $\varnothing 4"$
64338	Carton de 12 cartouches de 8 oz de lubrifiant FlexShaft
64343	Câble gainé $\varnothing 1/4"$ de 50' avec raccords
64348	Câble gainé $\varnothing 5/16"$ de 70' avec raccords
64363	Manchon découpé RIDGID $\varnothing 1 1/4"$
64368	Manchon découpé RIDGID $\varnothing 1 1/2"$

Consultez le catalogue Ridge Tool en ligne à RIDGID.com ou reportez-vous à la section *Coordonnées* pour la liste complète des accessoires RIDGID disponibles.

Recyclage

Certains composants de ces appareils ont une valeur de recyclage qui pourrait intéresser les entreprises de recyclage locales. Disposez de ce matériel selon la réglementation en vigueur. Consultez les services de déchets locaux pour de plus amples renseignements.

Limpiadoras de desagües FlexShaft™ Modelo K9-102+ y K9-204+



⚠ ADVERTENCIA!

Antes de utilizar este aparato, lea detenidamente este Manual del Operario. Pueden ocurrir descargas eléctricas, incendios y/o graves lesiones si no se entienden y siguen las instrucciones de este manual.

RIDGID[®]

Índice de materias

Simbología de seguridad	41
Reglas de seguridad general	
Zona de trabajo.....	41
Seguridad eléctrica.....	41
Seguridad personal.....	42
Uso y cuidado de las herramientas	42
Servicio.....	42
Información de seguridad específica	42
Seguridad de las limpiadoras de desagües FlexShaft.....	42
Información de contacto de RIDGID	43
Descripción	43
Especificaciones	44
Especificaciones: taladros a batería aceptables	44
Equipo estándar.....	45
Inspección previa a la operación	45
Preparación de la máquina y de la zona de trabajo	46
Preparación y operación del taladro a batería	48
Interruptor del taladro	48
Velocidad del taladro	48
Embrague ajustable del taladro	48
Instalación y ajuste de la golpeadora de cadenas	49
Instrucciones de funcionamiento	52
Drenaje del tambor	56
Transporte.....	56
Almacenamiento	56
Instrucciones de mantenimiento	56
Limpieza	56
Lubricación.....	56
Reemplazo del conjunto del cable.....	57
Resolución de problemas	57
Servicio y reparaciones	58
Equipo opcional	58
Eliminación	58
Declaración de conformidad de la Comunidad Europea	Interior de la carátula posterior
Garantía de por vida	Carátula posterior

*Traducción del manual original

Simbología de seguridad

En este manual del operario y en el producto mismo encontrará símbolos de seguridad y palabras de advertencia que comunican importante información de seguridad. Para su mejor comprensión, en esta sección se describe el significado de estas palabras y símbolos de advertencia.



Este es el símbolo de una alerta de seguridad. Sirve para prevenir al operario de las lesiones corporales que podría sufrir. Obedezca todas las instrucciones de seguridad que acompañan a este símbolo para evitar posibles lesiones o muerte.

⚠ PELIGRO

Este símbolo de PELIGRO advierte de una situación de peligro que, si no se evita, podría producir la muerte o lesiones graves.

⚠ ADVERTENCIA

Este símbolo de ADVERTENCIA avisa de una situación de peligro que, si no se evita, podría producir la muerte o lesiones graves.

⚠ CUIDADO

Este símbolo de CUIDADO advierte de una situación de peligro que, si no se evita, podría producir lesiones leves o moderadas.

⚠ AVISO

Un AVISO indica información relacionada con la protección de un bien o propiedad.



Este símbolo significa que es necesario leer detenidamente su manual del operario antes de usar el equipo. El manual del operario contiene información importante acerca del funcionamiento apropiado y seguro del equipo.



Este símbolo indica que cuando manipule o utilice este equipo siempre debe usar gafas o anteojos de seguridad con viseras laterales, con el fin de reducir el riesgo de lesiones a los ojos.



Este símbolo indica que existe el riesgo de que los dedos, manos y otras partes del cuerpo se enganchen, queden enrollados o se aplasten debido a la limpiadora de desagües FlexShaft.



Este símbolo indica que hay riesgo de descargas eléctricas.



Este símbolo indica que hay riesgo de que sus dedos u otras partes del cuerpo se enganchen, queden enrollados, se aplasten o se golpeen por la golpeadora de cadenas. No haga funcionar el aparato si el extremo del cable está fuera del desagüe.



Este símbolo indica que siempre debe usar guantes cuando use o manipule este aparato, para reducir el riesgo de que el contenido del desagüe cause infecciones, quemaduras u otras lesiones graves.

Reglas de seguridad general

⚠ ADVERTENCIA

Lea y entienda todas las advertencias de seguridad e instrucciones. Si no se respetan todas las instrucciones y advertencias, podrían producirse descargas eléctricas, incendios y/o lesiones graves.

¡GUARDE ESTAS INSTRUCCIONES!

Zona de trabajo

- **Mantenga su zona de trabajo limpia y bien iluminada.** Los lugares desordenados u oscuros pueden provocar accidentes.
- **No haga funcionar las máquinas en ambientes explosivos, es decir, en presencia de líquidos, gases o polvo inflamables.** Las máquinas pueden generar chispas que podrían encender los gases o el polvo.
- **Mientras haga funcionar una máquina, mantenga alejados a los niños y es-**

pectadores. Cualquier distracción podría hacerle perder el control del aparato.

- **Mantenga el piso seco y exento de materiales resbalosos como el aceite.** Los suelos resbalosos pueden llevar a accidentes.

Seguridad eléctrica

- **Evite el contacto de su cuerpo con arrefactos conectados a tierra tales como cañerías, radiadores, estufas o cocinas, y refrigeradores.** Aumenta el riesgo de choques de electricidad si su cuerpo ofrece conducción a tierra.
- **No exponga las máquinas eléctricas a la lluvia ni permita que se mojen.** Cuando a un aparato eléctrico le entra agua, aumenta el riesgo de choques de electricidad.
- **Si resulta inevitable el empleo de una máquina eléctrica en un sitio húmedo, enchúfela en un tomacorriente protegido GFCI (dotado de un Interruptor del Circuito de Pérdida a Tierra).** El interrup-

tor GFCI reduce el riesgo de choques de electricidad.

Seguridad personal

- **Manténgase alerta, preste atención a lo que está haciendo y use el sentido común cuando haga funcionar una máquina. No use ninguna máquina si usted está cansado o se encuentra bajo la influencia de drogas, alcohol o medicamentos.** Tan solo un breve descuido durante el funcionamiento de una máquina eléctrica puede resultar en lesiones graves.
- **Use equipo de protección personal. Siempre use protección para los ojos.** Según corresponda para cada situación, colóquese equipo de protección como mascarilla para el polvo, calzado de seguridad antideslizante, casco o protección para los oídos, con el fin de reducir las lesiones personales.
- **No trate de extender el cuerpo para alcanzar algo. Tenga los pies bien plantados y mantenga el equilibrio en todo momento.** Esto permite un mejor control de la máquina en situaciones inesperadas.

Uso y cuidado de las herramientas

- **No fuerce los aparatos. Use el equipo correcto para la tarea que está por realizar.** Con la herramienta adecuada se hará mejor el trabajo y en forma más segura en la clasificación nominal para la cual fue diseñada.
- **Almacene las máquinas que no estén en uso fuera del alcance de los niños y no permita que las hagan funcionar personas que no estén familiarizadas con este aparato o no hayan leído estas instrucciones de operación.** Las herramientas son peligrosas en manos de personas no capacitadas.
- **Haga la mantención de las herramientas. Revise el equipo para verificar que las piezas móviles no estén mal alineadas o agarrotadas. Verifique que no tenga partes rotas ni presente alguna otra condición que podría afectar su funcionamiento. Si un aparato está dañado, hágalo reparar antes de utilizarlo.** Muchos accidentes se deben a máquinas que no han recibido un mantenimiento adecuado.
- **Mantenga los mangos y superficies**

de agarre secos, limpios y exentos de grasa y aceite. Esto permite un mejor control de la herramienta.

Servicio

- **Encomiende el servicio de la herramienta únicamente a técnicos calificados que usen repuestos idénticos a las piezas originales.** Así se garantiza la continua seguridad de la máquina.

Información de seguridad específica

⚠ ADVERTENCIA

Esta sección contiene información de seguridad importante que es específica para esta herramienta.

Antes de utilizar la limpiadora de desagües FlexShaft™, lea estas instrucciones detenidamente para reducir el riesgo de choque de electricidad o de otras lesiones graves.

¡GUARDE TODAS LAS INSTRUCCIONES Y ADVERTENCIAS PARA SU POSTERIOR CONSULTA!

Mantenga este manual junto con la máquina, para que lo use el operario.

Seguridad de las limpiadoras de desagües FlexShaft

- **Siempre use gafas de seguridad y guantes en buenas condiciones cuando use o manipule la máquina.** Use guantes de látex o de goma, careta de protección facial, ropa de protección, respirador y otros equipos de protección apropiados cuando sospecha que el desagüe contiene sustancias químicas, bacterias u otras sustancias tóxicas o infecciosas. Esto reduce el riesgo de infecciones, quemaduras y otras lesiones graves.
- **No use el aparato con un taladro provisto de cordón.** Esto aumenta el riesgo de choque eléctrico y otras lesiones.
- **No permita que la golpeadora de cadenas o el extremo del cable dejen de girar cuando el interruptor del taladro está presionado.** Esto puede tensar el cable excesivamente y hacer que el conjunto del cable se tuerza, se pliegue o se corte. Esto podría provocar lesiones graves.
- **Mantenga buena higiene personal. No**

coma ni fume cuando manipule o haga funcionar la máquina. Después de manejar o hacer funcionar una máquina para limpiar desagües, use agua caliente y jabón para lavarse las manos y las partes del cuerpo expuestas a los líquidos del desagüe. Esto reduce el riesgo a la salud por exposición a materiales tóxicos o infecciosos.

- **Emplee la limpiadora de desagües FlexShaft únicamente para limpiar desagües de los diámetros especificados.** Si usa una limpiadora de desagües del tamaño equivocado, el cable se puede torcer, plegar o cortar, y podría producir lesiones personales.
- **Mantenga siempre una mano sobre el conjunto del cable cuando la máquina FlexShaft esté andando.** Así se controla mejor el cable y ayuda a impedir que se tuerza, se pliegue o se corte, lo cual puede causar lesiones.
- **Coloque la máquina a menos de 3 pies (1 metro) de la entrada del desagüe o apoye bien el conjunto del cable expuesto cuando la máquina esté a más de tres pies (1 metro) de distancia.** Si sitúa la máquina demasiado lejos, se reduce el control y el cable se podría torcer, plegar o cortar, lo cual puede causar lesiones por golpes o aplastamiento.
- **Una sola persona debe controlar tanto el conjunto del cable como el taladro a baterías.** No trabe el interruptor del taladro en la posición ON (encendido) durante su operación. Si el cable deja de rotar, el operario debe ser capaz de soltar el interruptor del taladro para impedir que el cable se tuerza, se pliegue o se corte. Esto reduce el riesgo de lesiones.
- **No use ropa suelta ni joyas. Mantenga el pelo y la ropa alejados de las piezas en movimiento.** La ropa suelta, las joyas o el pelo podrían engancharse en las piezas en movimiento.
- **El operario no debe hacer funcionar la máquina si él o la máquina están parados en agua.** Si la máquina está en el agua mientras funciona, aumenta la posibilidad de descargas eléctricas.
- **No use el aparato si durante su operación existe algún riesgo de contacto con otros servicios tales como conductos de gas o cables de electricidad.** Se recomienda hacer una inspección visual del desagüe con una cámara. Los

tubos que se interpenetran, los cables o tubos de servicio mal colocados o los desagües dañados pueden entrar en contacto con la golpeadora, lo cual dañaría el tubo o cable. Esto puede producir choque de electricidad, fugas de gas, incendio, explosión o algún otro daño o lesión grave.

- **Antes de utilizar este aparato, lea y entienda estas instrucciones y las instrucciones y advertencias para todos los equipos.** Si no se respetan todas las instrucciones, podría producirse un daño a la propiedad o lesiones graves.

Información de contacto de RIDGID

Si tiene alguna pregunta acerca de este producto RIDGID®:

- Comuníquese con el distribuidor RIDGID® en su localidad.
- Visite RIDGID.com para averiguar dónde se encuentra el contacto RIDGID más cercano.
- Comuníquese con el Departamento de Servicio Técnico de Ridge Tool en ProToolsTechService@Emerson.com, o llame por teléfono desde EE. UU. o Canadá al 844-789-8665.

Descripción

Las máquinas limpiadoras de desagües FlexShaft™ Modelo K9-102+ y Modelo K9-204+ de RIDGID® están diseñadas para limpiar y desincrustar tuberías y desagües según se detalla en la sección *Especificaciones*.

Se usa un taladro a baterías, proporcionado por el usuario, para impulsar las limpiadoras de desagües FlexShaft. El conjunto del cable de la limpiadora se alimenta a mano para meterlo y sacarlo del desagüe. Se usa una golpeadora de cadenas, que se expande hasta ocupar todo el diámetro del tubo, para destrozar el bloqueo y limpiar las paredes del tubo. Se dispone de golpeadoras de cadenas con puntas cortantes de carburo, para usar contra raíces y para quitar incrustaciones de las paredes del tubo. Las golpeadoras de cadenas simples se usan comúnmente para sacar atascos, inclusive de grasa. Las limpiadoras de desagües FlexShaft se adaptan bien al uso con cámaras de inspección durante el procedimiento de limpieza del tubo.

Las máquinas FlexShaft son compactas y livianas, lo cual facilita su transporte.



Figura 1A – Limpiaadora de desagües FlexShaft de RIDGID®

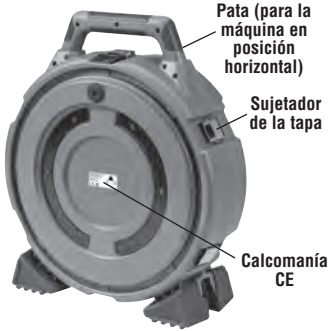


Figura 1B – Limpiaadora de desagües FlexShaft de RIDGID®

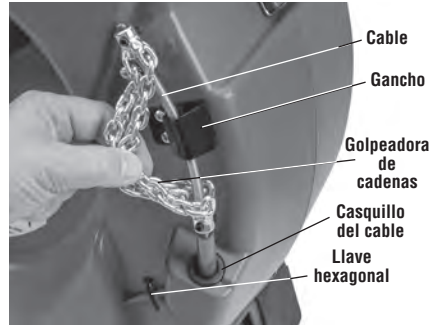


Figura 1C – Extremo del cable y golpeadora de cadenas

No se recomienda usar las limpiadoras de desagües FlexShaft para limpiar artefactos de vidrio, cerámica, porcelana o semejantes, ya que se podrían dañar.

Especificaciones: taladros a batería aceptables

Velocidad de rotación..... 1800 a 2500 RPM
 Tamaño del mandril..... 3/8" o mayor
 Embrague..... Con par de torsión ajustable

Tipo de interruptor... Contacto momentáneo

Bloqueo del interruptor..... No tiene

El taladro debe llevar la marca de certificación apropiada para el mercado: (marca CE, marca c(us), etc.)

Especificaciones

Modelo.....	K9-102+	K9-204+
Diámetro del tubo (nominal)	1 1/4" a 2" (32 a 50 mm)	2" a 4" (50 a 100 mm)
Diámetro del cable (sin vaina)	1/4" (6 mm)	5/16" (8mm)
Diámetro del conjunto del cable (con vaina).....	3/8" (9,5 mm)	1/2" (12,7 mm)
Largo del conjunto del cable	50 pies (15,2 m)	70 pies (21,3 m)
Velocidad de rotación	Máx. 2500 RPM	Máx. 2500 RPM
Eje de acoplamiento al taladro.....	5/16" hexagonal (8 mm)	5/16" hexagonal (8 mm)
Peso (sin taladro ni golpeadora)	24,3 libras (11,0 kg)	38,2 libras (17,3 kg)
Dimensiones (sin taladro)	19,2" x 7,5" x 22,1" (488 mm x 191 mm x 562 mm)	21,1" x 10,8" x 24,2" (536 mm x 274 mm x 615 mm)
Temperatura de funcionamiento.....	20°F a 140°F (-6°C a 60°C)	20°F a 140°F (-6°C a 60°C)

El operario no debe usar taladro con cordón, rotomartillo ni impulsor de impacto. Si se usa un taladro que no corresponde, aumenta el riesgo de daños y lesiones personales. Vea la sección *Preparación y operación del taladro a batería*.

Equipo estándar

Consulte el catálogo RIDGID para ver los equipos que se suministran con cada tipo de limpiadora de desagües y sus números de catálogo.

AVISO Esta máquina está diseñada para limpiar desagües. Si se usa correctamente no dañará desagües que estén en buenas condiciones y bien diseñados, contruidos y mantenidos. Si el desagüe está en malas condiciones o está mal diseñado, construido o mantenido, el procedimiento de limpieza podría no ser eficaz o podría dañar la tubería. La mejor forma de determinar las condiciones de un desagüe antes de limpiarlo es mediante una inspección visual con una cámara. El uso inapropiado de esta limpiadora de desagües podría dañar la máquina y el desagüe. Es posible que esta máquina no logre desatascar todas las obstrucciones.

Inspección previa a la operación

⚠ ADVERTENCIA



Antes de cada uso, revise la limpiadora de desagües y corrija cualquier problema existente con el fin de reducir el riesgo de lesiones graves por descargas eléctricas, cables torcidos o cortados, quemaduras químicas, infecciones u otras causas, y para impedir que se dañe la máquina limpiadora de desagües.

Siempre use anteojos de seguridad y equipo de protección apropiado cuando inspeccione la limpiadora de desagües.

1. Limpie la limpiadora de desagües, incluyendo los mangos y controles. Esto facilita la inspección y ayuda a prevenir que la máquina o el control se le resbalen de las manos. Haga la limpieza y la mantención de la máquina de acuerdo con las instrucciones de mantenimiento.

2. Inspeccione la limpiadora de desagües para verificar lo siguiente:
 - Está bien ensamblada y completa.
 - No tiene partes rotas, desgastadas, faltantes, mal alineadas o agarratadas.
 - La etiqueta de advertencia está presente y se puede leer. *Vea la Figura 2.*

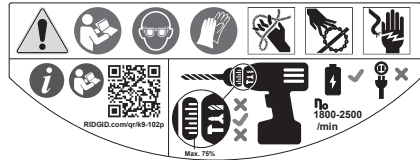


Figura 2 – Etiqueta de advertencias

- El conjunto del cable entra y sale de la máquina fácilmente, sin atascarse.
- No existe ninguna condición que podría impedir el funcionamiento seguro y normal de la máquina.

Si encuentra algún problema, no use la limpiadora de desagües hasta que se haya reparado.

3. Limpie los residuos que podrían estar presentes en el conjunto de cable y las golpeadoras de cadenas. Inspeccione la vaina del cable para verificar que no esté desgastada ni dañada. No debería tener tajos, cortes, plegaduras ni desgaste excesivo. Inspeccione el cable cerca de la golpeadora de cadenas. El conjunto del cable no debe estar doblado ni deformado. Los hilos del cable no deben estar separados. Inspeccione la golpeadora de cadenas para verificar que las puntas de carburo (cuando estén presentes) no tengan puntas que falten o que estén dañadas, y que las cadenas no estén desgastadas. Si los eslabones de la cadena tienen un desgaste de más del 25% o si están dañados, reemplace la golpeadora de cadenas. Reemplace los componentes desgastados o dañados antes de usar la limpiadora de desagües.

Confirme que la golpeadora de cadenas esté bien instalada y bien fija en el cable.

4. Inspeccione el taladro a baterías según sus instrucciones. Asegure que el taladro esté en buenas condiciones de funcionamiento y que su interruptor controle la operación del aparato. Confirme que el taladro cumple con los requisitos señalados en la sección *Especificaciones* y que está bien preparado para usar con la máquina.

5. Inspeccione todos los demás equipos utilizados y haga el mantenimiento necesario según sus instrucciones, para asegurar su buen funcionamiento.

Preparación de la máquina y de la zona de trabajo

⚠ ADVERTENCIA



Instale la limpiadora de desagües y la zona de trabajo según estos procedimientos, para reducir el riesgo de lesiones por choque de electricidad, incendio, volcamiento de la máquina, cables retorcidos o cortados, quemaduras químicas, infecciones y por otras causas, y para prevenir que se dañe la máquina.

Siempre use gafas de seguridad y otros equipos de protección apropiados cuando instale la limpiadora de desagües.

1. Inspeccione la zona de trabajo para determinar si es apropiada. El trabajo debe realizarse en un lugar nivelado, estable y seco. No use la limpiadora de desagües si está parado en una superficie con agua.
2. Inspeccione el desagüe que debe limpiar. En lo posible, determine cuáles son los puntos de acceso al desagüe, los diámetros y longitudes de los desagües, los materiales de la tubería, las distancias entre el acceso al desagüe y las tuberías principales, la naturaleza del atasco, presencia de sustancias químicas para limpiar desagües o de otros materiales químicos, etc.

Si el desagüe contiene sustancias químicas, es importante entender cuáles son las medidas de seguridad exigidas para trabajar en presencia de dichas sustancias. Comuníquese con el fabricante de los productos químicos para obtener la información necesaria. Confirme que no hay cables ni otros tubos dentro del desagüe o en una zona cercana, para reducir el riesgo de daño. Es prudente hacer una inspección visual del desagüe con una cámara.

Si fuera necesario, saque el artefacto sanitario (inodoro, etc.) para permitir el acceso al desagüe. No alimente la golpeadora de cadenas a través de un artefacto sanitario. Esto podría dañar la máquina FlexShaft o el artefacto.

La limpieza del desagüe procede mejor si se hace correr agua por la tubería durante la operación, para ir arrastrando los desechos. Para fregaderos o lavabos con desagües de 1¼" o 1½", hay tuberías con un recorte que permiten el acceso al tubo mural, para facilitar esta limpieza (vea la instalación en la *Figura 3*). Coloque un recipiente debajo del accesorio para recibir los líquidos que podrían salirse del desagüe.

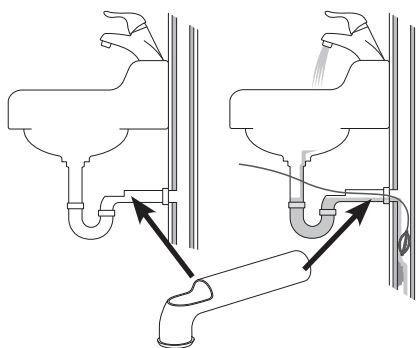


Figura 3 – Instalación de la tubería de acceso

3. Determine cuál es la limpiadora correcta para la tarea. Vea las Especificaciones. Para encontrar limpiadoras de desagües para otras tareas, consulte el catálogo en línea de Ridge Tool en RIDGID.com.
4. Asegure que todos los equipos estén debidamente inspeccionados.
5. Si fuera necesario, cubra la zona de trabajo con protectores. La limpieza de desagües es una tarea sucia.
6. Coloque la limpiadora de desagües en el suelo, con el eje de acoplamiento al taladro orientado verticalmente hacia arriba. La máquina debe estar bien asentada y estable contra el suelo. No haga funcionar la máquina con el eje de acoplamiento al taladro en posición horizontal, ya que la máquina se podría volcar.
7. Extraiga la batería del taladro y prepare el taladro correctamente. (Vea la sección

Preparación y operación del taladro a batería). Conecte el mandril del taladro para que quede bien asentado en el eje hexagonal de acoplamiento al taladro (Figura 4).

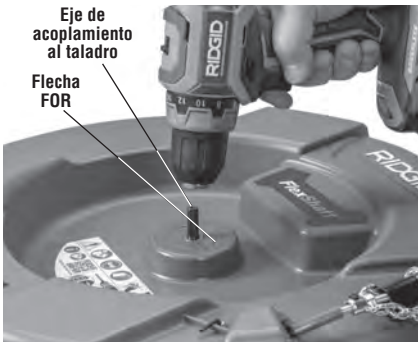


Figura 4 – Conexión del taladro al eje de acoplamiento



Figura 5 – Ejemplo de cómo extender el desagüe para que el acceso quede a menos de 3 pies (1 m) de la salida del cable

8. Sitúe la máquina limpiadora de desagües de manera que la salida del cable quede a menos de 3 pies (1 metro) de la entrada al desagüe. A mayor distancia, aumenta el riesgo de que el conjunto del cable se tuerza o se pliegue. Si no puede colocar la máquina FlexShaft de manera que la apertura del cable quede

a menos de 3 pies (1 m) de la entrada al desagüe, coloque una extensión del desagüe, usando un tubo y acoplamientos de diámetro semejante (vea la Figura 5). Si el conjunto del cable no está bien apoyado se puede torcer o plegar, lo cual podría dañar el cable o lesionar al operario. Si usa una extensión del desagüe para alcanzar la limpiadora resulta más fácil ir metiendo el conjunto del cable por el tubo de desagüe.

9. Desconecte la golpeadora de cadenas del gancho y jale el conjunto del cable hasta sacar unos 4 pies (1,2 m) de cable fuera de la máquina.
10. Marque la vaina para indicar en qué punto se acerca la golpeadora de cadenas a la apertura del desagüe cuando esté retirando el cable. Puede marcar la vaina con cinta adhesiva. Así se reduce el riesgo de sacar la golpeadora de cadenas del desagüe mientras esté todavía girando y dé latigazos. La distancia depende de la configuración del desagüe, pero debe estar a por lo menos 4 pies (1,2 m) de la golpeadora de cadenas.
11. Asegure que la golpeadora de cadenas esté correctamente instalada (vea la sección *Instalación y ajuste de la golpeadora de cadenas*).
12. Introduzca el extremo con la golpeadora de cadenas dentro del desagüe, por lo menos un pie (30 cm).
13. Revise la zona de trabajo y determine si debe colocar barreras para mantener alejados a los observadores del lugar de trabajo y de la máquina limpiadora de desagües. El procedimiento de limpieza puede ensuciar el lugar y los observadores podrían distraer al operario.
14. Coloque la limpiadora de desagües de manera que sea fácil de controlar. El operario debe ser capaz de sostener y controlar el conjunto del cable y el interruptor del taladro.
15. Con las manos secas, inserte las baterías en el taladro. (Vea la Figura 4).

Preparación y operación del taladro a batería

Para obtener información sobre los taladros a batería aceptables para usar con las limpiadoras de desagües FlexShaft, vea esta sección y la sección Especificaciones. Hay muchos taladros a batería disponibles pero no todos son apropiados para usar con las limpiadoras de desagües FlexShaft. Si tiene alguna duda acerca del uso de un cierto taladro para esta aplicación, no lo use. Extraiga la batería del taladro antes de hacer ajustes o de conectarlo o de desconectarlo a la limpiadora de desagües.

Interruptor del taladro

El taladro debe tener un interruptor de contacto momentáneo, sin bloqueo. Esto significa que el taladro puede girar solamente cuando el operario mantiene oprimido el interruptor. Si suelta el interruptor, el taladro se apaga. Coloque el taladro en el ajuste de rotación FOR (vea la Figura 4).

Velocidad del taladro

Cuando use la limpiadora de desagües FlexShaft, los límites de velocidad de rotación son de 1800 a 2500 rpm. La limpieza procede mejor cuando las golpeadoras de cadenas giran a una velocidad cercana al máximo de 2500 rpm. Para lograr esta velocidad, conozca las especificaciones y los ajustes del taladro a batería. Muchos taladros a batería tienen varios ajustes de velocidad; por lo general, la velocidad máxima se acerca a la necesaria para hacer funcionar el equipo FlexShaft. Vea en la Figura 6 un ejemplo de los ajustes de velocidad de un taladro. No haga funcionar la limpiadora de desagües FlexShaft a más de 2500 rpm de velocidad.

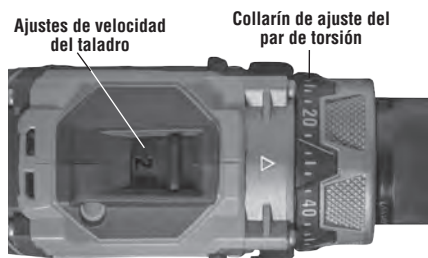



Figura 6 – Ajustes del taladro

Embrague ajustable del taladro

Siempre use un taladro a batería que tenga un embrague ajustable correctamente fijado. Esto reduce el riesgo de dañar el cable dentro del tambor de la limpiadora de desagües y reduce la fuerza sobre el mango.

Los taladros a batería con embragues ajustables generalmente tienen un collarín de ajuste del par de torsión (Figura 6), con una escala numérica que comienza en el número 1 y va aumentando para indicar el incremento del par de torsión al liberar el embrague. El embrague ajustable frecuentemente se usa para impulsar tornillos; podría contar con un ajuste que se debe colocar en modalidad de impulsar tornillos (“Screw Driving Mode” o ) para que funcione el embrague ajustable. Cuando el embrague ajustable se libera, el motor sigue girando pero el mandril del taladro deja de girar. Esto suele estar acompañado por una vibración o ruido que emite el taladro.



Los taladros a batería suelen estar equipados también con modalidades de Taladro (“Drill” o ) y Martillo (“Hammer” o ) (Figura 7). **En estas modalidades de funcionamiento, no funciona el embrague ajustable. Estas modalidades de funcionamiento no se deben usar nunca para la operación de la limpiadora de desagües FlexShaft.**





Figura 7 – Selección de la modalidad de funcionamiento correcta

Cuando use las limpiadoras de desagües FlexShaft, siempre empiece con el ajuste del embrague colocado en aproximadamente el 25% de la gama total de ajuste del embrague. Por ejemplo, si el collarín de ajuste del par de torsión en el taladro tiene una escala de 1 a 20, debe colocar el ajuste inicial en 5.

Haga funcionar la limpiadora de desagües según estas instrucciones. Cuando despeje un atasco, haga funcionar el taladro a velocidad máxima para lograr una limpieza óptima.

No fuerce la golpeadora de cadenas para que penetre el atasco. Si la golpeadora de cadenas no puede girar, no puede limpiar el desagüe. Podría ser necesario retirar la golpeadora de cadenas para alejarla del atasco y lograr que alcance nuevamente la velocidad necesaria. Si el embrague se libera continuamente durante el funcionamiento (se suelta el embrague), deje de oprimir el interruptor y retraiga el cable del desagüe. Inspeccione los ajustes de la limpiadora de desagües y confirme que todo esté correctamente instalado. Una parte importante de la instalación para un buen funcionamiento es la selección de la golpeadora de cadenas (vea los detalles en la Figura 9) y los ajustes. Haga los cambios que sean necesarios y siga limpiando el desagüe.

Si el embrague se sigue soltando durante el funcionamiento, el operario puede aumentar el ajuste del embrague. El embrague del taladro se puede ir aumentando en forma escalonada hasta el 75% de la gama total de ajuste de embrague. Por ejemplo, si el collarín de ajuste del par de torsión en el taladro tiene una escala de 1 a 20, el ajuste máximo no debe ser más de 15. **No exceda el 75% de la gama total de ajuste del embrague. Nunca coloque el taladro en modalidad de Taladro (“Drill” o ) ni modalidad de Martillo (“Hammer” o ) ya que esto deshabilita el embrague ajustable. Esto aumenta el riesgo de dañar el cable dentro del tambor de la limpiadora de desagües.**

Si el embrague del taladro se sigue soltando cuando está en el 75% de la gama total de ajuste del embrague, piense que podría ser mejor utilizar otra máquina limpiadora de desagües de RIDGID.

Instalación y ajuste de la golpeadora de cadenas

1. Seleccione la golpeadora de cadenas que corresponda a la tarea.

Las golpeadoras de cadenas se clasifican según el tamaño que se basa en el diámetro interior del collarín. Están diseñadas para cables de diámetros específicos. Las golpeadoras de cadenas de 1/4" se usan con cables de 1/4", etc. No debe usarse una golpeadora de cadenas de tamaño mayor junto con un cable de diámetro pequeño, como por ejemplo una golpeadora de cadenas de 5/16" con un cable de 1/4". Vea la Figura 8 y la tabla de distancias entre collarines.

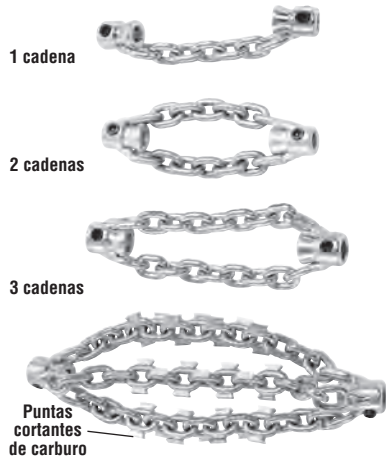


Figura 8 – Golpeadoras de cadenas

Se pueden usar golpeadoras de cadenas sin puntas cortantes de carburo si los tubos son de tipos comunes. Estas golpeadoras de cadenas funcionan bien para desmenuzar atascos de grasa y bloques semejantes.

Las golpeadoras de cadenas con puntas cortantes de carburo se usan para desalojar las incrustaciones en las paredes internas de un tubo y para despejar raíces. Las puntas cortantes de carburo se usan para hacer una limpieza enérgica y podrían dañar el tubo, especialmente si se trata de materiales menos duros, tales como los tubos de plástico o los tubos Orangeburg (de fibra prensada), o si la golpeadora de cadenas se deja en una sola posición durante demasiado tiempo. Vea la Figura 9, Tabla de selección de golpeadoras de cadenas.

No use golpeadoras de cadenas para limpiar tubos o artefactos de vidrio, cerámica, porcelana o materiales semejantes, ya que éstos podrían dañarse.

2. La Figura 10 muestra un dibujo que indica cómo hacer correctamente la instalación y ajuste de las golpeadoras de cadenas. Hay dos mediciones claves para la instalación y ajuste de las golpeadoras de cadenas.

Distancia entre los collarines: Separe los collarines de la golpeadora de cadenas a una distancia (“Distancia entre collarines”) que permita una buena separación de las cadenas cuando giran

y chocan contra las paredes del tubo. La distancia entre collarines varía según el diámetro del cable y el diámetro del tubo, y generalmente se fija mediante un espaciador fabricado del material de la vaina ("espaciador de collarines"). Si se exige mayor flexibilidad para atravesar una curva en el tubo, se puede quitar el espaciador y se puede fijar la distancia entre collarines mediante una cinta para medir. Cuando la golpeadora de cadenas se hace funcionar sin espaciador de collarines es más probable que el cable se vuelque durante el uso y se dañe. **Para reducir el riesgo de dañar el cable, no use puntas cortantes de carburo si no tiene colocado un espaciador de collarines.**

Cable expuesto: Reduzca a un mínimo el tramo de cable expuesto (es decir, el cable que no está cubierto por la vaina). Mientras más cable esté expuesto, más probable es que el cable se vuelque durante el uso y se dañe. Limite el cable expuesto a no más de $\frac{1}{4}$ " (6 mm); esto se fija con un casquillo hecho de la vaina ("casquillo de la golpeadora").

Se suministra la vaina junto con la limpiadora de desagües y es un repuesto que se puede pedir para permitir al operario hacer la configuración necesaria para cada aplicación. Use solamente vaina para limpiadora de desagües FlexShaft de RIDGID, del tamaño apropiado para el cable. Cuando se corte un tramo de vaina, el corte debe ser limpio y a escuadra. No dañe el cable cuando corte la vaina.

- Las golpeadoras de cadenas están sujetas al cable con tornillos de montaje, usando una llave hexagonal de 3 mm, que se suministra. Afloje los tornillos de montaje y extraiga del cable la golpeadora de cadenas, el espaciador y el casquillo.
- Inspeccione el extremo de la vaina para verificar que no esté dañado ni desgastado. El extremo de la vaina debe ser un corte limpio y a escuadra. Si es necesario, puede recortar un poco el extremo de la vaina.
- Si es necesario, corte una sección de la vaina para usar como espaciador de collarines del tamaño apropiado (*vea la tabla de distancias entre collarines*).
La distancia entre collarines se puede modificar según el tubo y la aplicación. A medida que aumenta la distancia entre collarines, disminuye el diámetro de las cadenas, y vice versa. Si la distancia entre collarines está mal fijada, se reduce la eficiencia de la limpieza del tubo.
- Haga un ajuste de prueba de la golpeadora de cadenas, casquillo de la golpeadora y espaciador de collarines, como se muestra en la *Figura 10*. Las cadenas deben estar derechas. No debe ensamblar las partes si las cadenas están retorcidas. Para prevenir un desgaste excesivo del extremo del cable, la punta del cable debe estar al ras con el extremo del collarín.
Revise la longitud del cable expuesto. Para evitar que el cable se vuelque y se dañe, no debe haber más de $\frac{1}{4}$ " (6 mm) de cable expuesto. Con el fin de limitar la longitud de cable expuesto, puede cortar un trozo de vaina para usar como casquillo de la golpeadora. **Siempre use un casquillo de la golpeadora para reducir el desgaste en el extremo de la vaina.**
- Una vez que la golpeadora de cadenas esté correctamente instalada sobre el cable como se muestra en la *Figura 10*, apriete bien los tornillos de montaje hexagonales, con una llave hexagonal que se suministra. Coloque la punta del tornillo de montaje contra el cable y luego apriete el tornillo, dándole una vuelta adicional de $\frac{1}{8}$ a $\frac{1}{4}$ de vuelta (entre 45 grados y 90 grados). Si los tornillos de montaje no están bien apretados, se podría resbalar la golpeadora de cadenas y dañar el cable o perderse por el desagüe.

MÁQUINA K9-102+

MÁQUINA K9-204+



Golpeadoras de cadenas



Golpeadoras de cadenas con puntas de carburo



Golpeadoras de cadenas



Golpeadoras de cadenas con puntas de carburo

	MÁQUINA K9-102+				MÁQUINA K9-204+						
	Nº CAT.	64293	64298	64283	64288	64323	64328	64333	64308	64313	64318
DESCRIPCIÓN	K9-102+ 1,5"	K9-102+ 2"	K9-102+ 1,5" CARBURO	K9-102+ 2" CARBURO	K9-204+ 2"	K9-204+ 3"	K9-204+ 4"	K9-204+ 2" CARBURO	K9-204+ 3" CARBURO	K9-204+ 4" CARBURO	
DIÁM. DEL TUBO	1,25"-1,5" (32-40 mm)	1,5"-2" (40-50 mm)	1,25"-1,5" (32-40 mm)	1,5"-2" (40-50 mm)	2" (50 mm)	3" (75 mm)	4" (100 mm)	2" (50 mm)	3" (75 mm)	4" (100 mm)	
TIPO DE TUBO	COBRE	✓	✓	✓	✓	✓	✓	✓	✓	✓	✓
	GALVANIZADO	✓	✓	✓	✓	✓	✓	✓	✓	✓	✓
	HIERRO FUNDIDO	✓	✓	✓	✓	✓	✓	✓	✓	✓	✓
	PVC	✓	✓			✓	✓	✓			
	ABS	✓	✓			✓	✓	✓			
	ORANGEBURG	✓	✓			✓	✓	✓			
	CORRUGADO	✓	✓			✓	✓	✓			
	ARCILLA	✓	✓			✓	✓	✓			
	BLOQUEO	GRASA	✓	✓	✓	✓	✓	✓	✓	✓	✓
BLOQUEO BLANDO		✓	✓	✓	✓	✓	✓	✓	✓	✓	✓
INCRUSTACIONES				✓	✓				✓	✓	✓
RAÍCES LIGERAS				✓	✓				✓	✓	✓
SE INCLUYE EN EL KIT		✓	✓			✓		✓			

Figura 9 – Tabla de selección de golpeadoras de cadenas

Máquina	Diám. del cable	Nº de cadenas	Golpeadora		Distancia entre collarines recomendada
			Nº eslabones/cadena	Diámetro nominal del tubo	
K9-102+	1/4"	1	7	1 1/4" a 1 1/2" (32 mm a 38 mm)	1 3/4" (44,5 mm)
		2	7	1 1/2" a 2" (38 mm a 50 mm)	
K9-204+	5/16"	2	9	2" (50 mm)	2 1/2" (63,5 mm)
		3	13	3" (75 mm)	4" (101,6 mm)
		3	15	4" (100 mm)	4 1/2" (114,3 mm)

Tabla de distancias entre collarines

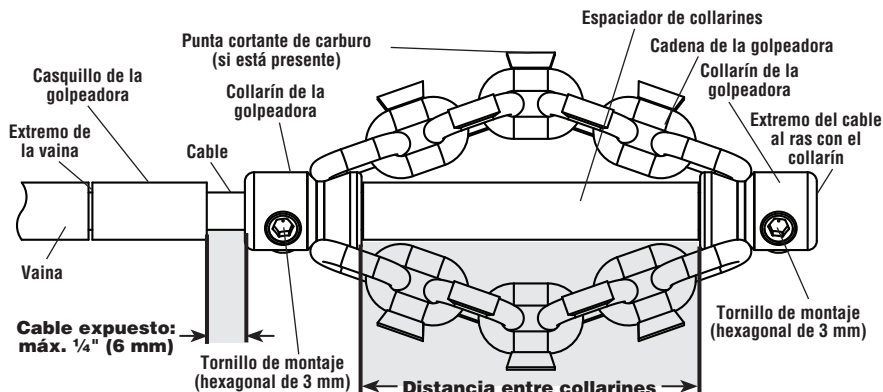


Figura 10 – Instalación y ajuste de la golpeadora de cadenas

Instrucciones de funcionamiento

⚠ ADVERTENCIA



Siempre use gafas de seguridad y guantes en buenas condiciones cuando use o manipule la máquina. Use guantes de látex o de goma, careta de protección facial, ropa de protección, respirador y otros equipos de protección apropiados cuando sospecha que el desagüe contiene sustancias químicas, bacterias u otras sustancias tóxicas o infecciosas. Esto reduce el riesgo de infecciones, quemaduras y otras lesiones graves.

No use el aparato con un taladro provisto de cordón. Esto aumenta el riesgo de choque eléctrico.

No permita que la golpeadora de cadenas o el extremo del cable dejen de girar cuando el interruptor del taladro está presionado. Esto puede tensar el cable excesivamente y hacer que el conjunto del cable se tuerza, se pliegue o se corte, lo cual podría provocar lesiones graves.

Mantenga buena higiene personal. No coma ni fume cuando manipule o haga funcionar la máquina. Después de manejar o hacer funcionar una máquina para limpiar desagües, use agua caliente y jabón para lavarse las manos y las partes del cuerpo expuestas a los líquidos del desagüe. Esto reduce el riesgo a la salud por exposición a materiales tóxicos o infecciosos.

Mantenga siempre una mano sobre el conjunto del cable cuando la máquina FlexShaft esté andando. Así se controla mejor el cable y ayuda a impedir que se tuerza, se pliegue o se corte, lo cual puede causar lesiones.

Coloque la salida del cable de la máquina FlexShaft a menos de 3 pies (1 metro) de la entrada del desagüe o apoye el conjunto del cable expuesto apropiadamente cuando la máquina esté a más de tres pies (1 metro) de distancia. Si sitúa la máquina demasiado lejos, se reduce el control y el cable se podría torcer, plegar o cortar, lo cual puede causar lesiones por golpes o aplastamiento.

Una sola persona debe controlar tanto el conjunto del cable como el taladro a baterías. No trabaje el interruptor del taladro en la posición ON (encendido) durante su operación. Si el cable deja de rotar, el operario debe ser capaz de soltar el interruptor del taladro para impedir que el cable

se tuerza, se pliegue o se corte. Esto reduce el riesgo de lesiones.

Siga las instrucciones de funcionamiento para reducir el riesgo de lesiones causadas por un cable torcido o cortado, latigazos por la rotación del extremo del cable, volcamiento de la máquina, quemaduras por sustancias químicas, infecciones y otros factores.

1. Asegure que la máquina y la zona de trabajo estén bien preparadas y que no hayan espectadores ni otras distracciones en el lugar de la tarea.
2. Jale el conjunto del cable para sacarlo de la máquina e ir metiéndolo en el desagüe. Tiene que haber por lo menos 1 pie (0,3 m) de cable dentro del desagüe para impedir que se salga la golpeadora de cadenas y dé latigazos al empezar a girar cuando se encienda la máquina.

Coloque el cable en una trayectoria directa entre la salida del cable de la máquina y la entrada del desagüe, de manera que no cambie de dirección y no quede más que una mínima longitud de cable expuesto. No doble el cable en ángulos agudos ya que esto aumenta el riesgo de que el cable se tuerza o se corte.

Si está usando una cámara para inspeccionar la limpieza del desagüe, puede ir introduciendo la cámara al mismo tiempo que el conjunto del cable. Normalmente se puede agarrar el conjunto del cable y la varilla de empuje de la cámara al mismo tiempo y se pueden introducir o retirar juntos. Mantenga la cámara por lo menos 1½ pies (0,5 m) detrás de la golpeadora de cadenas.

AVISO No permita que la golpeadora de cadenas en rotación choque contra el cabezal de la cámara ni la varilla de empuje, ya que podría dañarlos.

3. Adopte la posición correcta para mantener el control del conjunto del cable y del taladro (vea la Figura 11):
 - Asegure que pueda soltar rápidamente el interruptor del taladro.
 - Debe mantener una mano enguantada sobre el conjunto del cable para controlarlo y sostenerlo a medida que lo va metiendo dentro del desagüe y del atasco.

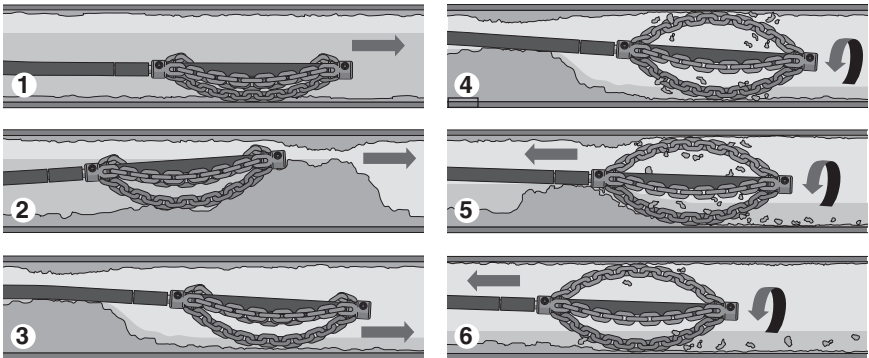
- Asegure que pueda mantener un buen equilibrio, que no tenga que estirarse por encima de la máquina y que no pueda caerse sobre la máquina, el desagüe, etc. Esta posición le ayuda a controlar el conjunto del cable y la máquina FlexShaft.



Figura 11 – Posición correcta para trabajar

4. Confirme que por lo menos un pie (0,3 m) del conjunto del cable se encuentra dentro del desagüe.
5. Confirme que el taladro esté correctamente instalado. Oprima y suelte el interruptor del taladro y observe en qué dirección está girando el mandril. La rotación del taladro debe coincidir con la flecha FOR en el tambor (vea la Figura 4). No haga girar el cable en reversa excepto según se indica en estas instrucciones. El funcionamiento en reversa puede dañar el cable.
6. Coloque una mano sobre el conjunto del cable y la otra en la empuñadura del taladro.
7. La limpiadora de desagües FlexShaft limpia el tubo mediante una gran velocidad de rotación y reducido par de torsión. Los conjuntos de cable FlexShaft son más flexibles que otros tipos de cables de limpieza de desagües. La máquina FlexShaft funciona mejor cuando se aplica una leve presión y se introduce la golpeadora de cadenas lentamente dentro del atasco, mientras retrae el cable. **Es importante dejar que la velocidad de rotación de**

Las limpiadoras de desagües FlexShaft funcionan a través de los siguientes pasos, como se indica a continuación:



1. Haga avanzar la golpeadora de cadenas (en general, sin que esté girando) hacia la zona del desagüe que hay que limpiar.
2. Si hay un bloqueo, atraviéselo con la golpeadora de cadenas.
3. Si es posible, haga fluir un chorro de agua por el desagüe para que vaya arrastrando los recortes y residuos durante la limpieza del desagüe.
4. Haga girar el cable con la golpeadora de cadenas, a velocidad máxima.
5. Siga haciendo girar la golpeadora. Lentamente retire el conjunto del cable para que la golpeadora de cadenas pueda desmenuzar el atasco.
6. Siga retirando el conjunto del cable lentamente mientras gira la golpeadora, para limpiar las paredes del tubo.

Figura 12 – Pasos de la operación de limpieza

la golpeadora de cadenas efectúe la limpieza del desagüe. No fuerce la golpeadora dentro del atasco.

8. Avance y recuperación del conjunto del cable - lubricante FlexShaft

En algunos casos podría ser útil colocar lubricante FlexShaft de RIDGID sobre la superficie de la vaina antes de introducir el cable en el desagüe. Esto puede facilitar la introducción del conjunto del cable en el desagüe y aumentar la longitud de la limpieza. Para hacerlo, empape una toalla limpia con lubricante y sosténgala en la palma de la mano enguantada con la cual mete el conjunto del cable, y así vaya aplicando lubricante a medida que avanza el conjunto del cable (Figura 13). Vaya agregando más lubricante a la toalla según sea necesario durante la tarea. La vaina está marcada cada 5 pies (1,5 m) con indicaciones FlexShaft de RIDGID, para ayudar a determinar cuál longitud de cable se ha sacado de la máquina.

Use solamente lubricante FlexShaft de RIDGID. Otros lubricantes podrían no

ser apropiados para usar en un desagüe y podrían contaminar el agua.

Cuando recupere el conjunto del cable, use una toalla para ir limpiando la suciedad y los residuos de la vaina a medida que se jala el cable para sacarlo del desagüe y se vuelve a meter en el tambor.

9. Rotación de la golpeadora de cadenas

Por lo general la golpeadora de cadenas se hace rotar para la limpieza a medida que se retrae el cable. Eche a andar la rotación del cable y de la golpeadora de cadenas solamente después de introducir la golpeadora por lo menos 1 pie (0,3 m) dentro del desagüe. Para hacer rotar el cable, agarre bien el mango del taladro y oprima su interruptor. La persona que controla el conjunto del cable debe ser la misma que controla el interruptor del taladro. No haga funcionar la máquina con una persona que controla el conjunto del cable y otra que controla el taladro. No permita que se acumule el conjunto del cable fuera del desagüe ni deje que se curve o que forme un arco. Esto puede hacer que el cable se tuerza, se pliegue o se corte. El operario puede detener la

rotación del cable en cualquier momento, al soltar el interruptor del taladro. Para deshacer un atasco, haga funcionar el cable a velocidad máxima para limpiar el tubo en forma óptima. **No fuerce la golpeadora de cadenas cuando la introduce en un atasco.** En algunos casos, si varía la velocidad se facilita el paso del cable a través de curvas. Si hace rotar la golpeadora de cadenas en pulsos breves en dirección FOR (avance) y REV (reversa) a medida que empuja el conjunto del cable por el tubo, entra más fácilmente a través del tubo y los atascos.



Figura 13 – Aplicación de lubricante sobre la vaina del cable

10. Para hacer avanzar el conjunto del cable por el desagüe, agarre la vaina cerca de donde sale del tambor de la máquina. Jale el conjunto del cable fuera de la máquina FlexShaft, unas 6" a 12" (15 a 30 cm), hasta que el cable forme una leve curva. Debe mantener una mano enguantada sobre el conjunto del cable, para sostenerlo y controlarlo. Si el cable no está bien apoyado, el conjunto del cable se podría plegar o torcer, lo cual dañaría el cable o lesionaría al operario. Vaya metiendo el conjunto del cable por el desagüe (Figura 12, paso 1).
11. Siga haciendo avanzar el conjunto del cable hasta que sienta resistencia. Cuidadosamente haga pasar la golpeadora de cadenas por el atasco. **No fuerce el conjunto del cable; si la golpeadora de cadenas no puede girar, no puede limpiar el desagüe.** Preste atención a la distancia recorrida por el cable. No permita que el cable alcance una alcantarilla principal, ya que el cable podría formar nudos o causar otros daños (Figura 12, paso 2).
12. Una vez que el desagüe esté permeable, si es posible, haga fluir un chorro de agua por el tubo para arrastrar los residuos y ayudar a limpiar el conjunto del cable antes de recuperarlo. Para hacerlo, abra una llave de agua en el sistema o use otros métodos. Preste atención al nivel del agua, ya que el desagüe podría volver a bloquearse (Figura 12, paso 3).
13. Una vez que la golpeadora de cadenas haya pasado el sitio del atasco y la zona que debe limpiar, oprima a fondo el interruptor del taladro para hacer girar la golpeadora. Lentamente jale el conjunto del cable para sacarlo del desagüe, permitiendo que la golpeadora de cadenas siga girando para limpiar las paredes del tubo y destrozando el atasco (Figura 12, pasos 4 y 5). **Si el cable deja de girar, detenga el funcionamiento del taladro;** si no lo hace, el cable se podría torcer o plegar. En cualquier momento puede soltar el interruptor del taladro para detener la rotación del cable.

Puede controlar la situación al palpar el conjunto del cable que sostiene con la mano y mediante el sonido del taladro y de la golpeadora en el tubo. Si se desconecta el embrague es probable que haya dejado de girar el cable. Vea la sección *Embrague ajustable del taladro*. No coloque el ajuste de torsión del taladro a baterías en el ajuste "drill" (taladro). Esto aumenta la fuerza que se siente en el mango del taladro y podría hacer girar el taladro. Agarre bien el mango del taladro para mantener el control.

Es posible que tenga que retirar la golpeadora de cadenas fuera del atasco para dejar que recupere su velocidad máxima.

Si la golpeadora de cadenas se queda pegada, puede intentar liberarla al hacer funcionar el taladro en reversa durante un momento breve. No haga funcionar el taladro en reversa durante más de unos pocos segundos, para evitar que se dañe el cable. En algunos casos podría ser posible jalar el conjunto del cable y el bloqueo a mano para retirarlos del desagüe. Procure no dañar el conjunto del cable si realiza esta maniobra. Quite

el bloqueo de la golpeadora y del cable y siga limpiando el desagüe como se indica más arriba.

Si está usando una cámara, no permita que choque la golpeadora de cadenas contra la cámara o la varilla de empuje.

14. Siga limpiando el resto del desagüe a medida que retira el cable. Una vez que termine la limpieza del tubo, recupere el cable y vuelva a meterlo en la limpiadora de desagües. Preste atención cuidadosa ya que mientras retira el cable podría atascarse en un bloqueo (*Figura 12, paso 6*).
15. Esté pendiente de la marca en la vaina a medida que retira el conjunto del cable. Cuando la golpeadora de cadenas se acerque a la apertura del desagüe, suelte el interruptor del taladro. Mientras esté girando la golpeadora de cadenas, no la saque del desagüe. La golpeadora de cadenas podría dar latigazos y causar lesiones graves.
16. Si es necesario hacer una limpieza completa, repita el procedimiento anterior.
17. El resto del conjunto del cable se jala a mano fuera del desagüe y se empuja para meterlo nuevamente en el tambor. Prepare la máquina para su transporte.

Drenaje del tambor

Si fuera necesario, puede dar vuelta la limpiadora de desagües para dejar escurrir el líquido dentro del alojamiento (vea la ubicación del agujero de drenaje en la *Figura 1*).

Transporte

Introduzca todo el conjunto del cable dentro del tambor. Fije la golpeadora de cadenas en el gancho. Separe el taladro del eje de acoplamiento en la máquina. No deje el taladro conectado a la máquina durante su transporte, para evitar que la limpiadora de desagües se vuelque y se dañe. Vea la *Figura 1*.

Almacenamiento

▲ ADVERTENCIA La limpiadora de desagües se debe guardar bajo techo en un lugar seco o bien tapado si se guarda al aire libre. Almacene la máquina en un lugar bajo llave que esté fuera del alcance de los niños y de personas que no estén familiarizadas con las limpiadoras de desagües. Esta máquina puede causar lesiones graves en manos de personas no capacitadas para usarla.

Instrucciones de mantenimiento

▲ ADVERTENCIA

El taladro se debe quitar de la limpiadora de desagües antes de hacerle cualquier mantenimiento.

Siempre use anteojos de seguridad y equipo de protección personal cuando realice tareas de mantenimiento.

Limpieza

Es conveniente usar una toalla para limpiar la suciedad y residuos de la vaina a medida que se jala el conjunto del cable fuera del desagüe y se va introduciendo en el tambor. Esto ayuda a mantener la limpieza del tambor y reducir el riesgo de que el conjunto del cable se quede atascado dentro del tambor. Si fuera necesario, se puede sacar el conjunto del cable de la máquina y abrir el alojamiento para lavarlo y limpiarlo.

La máquina se debe limpiar cuando sea necesario, con jabón y agua caliente y/o con desinfectantes suaves. Deje que los líquidos escurran de la máquina para secarla.

Lubricación

Las limpiadoras de desagües FlexShaft están lubricadas de por vida en la fábrica.

Reemplazo del conjunto del cable

1. Jale todo el conjunto del cable fuera del alojamiento en el tambor.
2. Con la llave hexagonal suministrada (o con una herramienta semejante), abra el sujetador que está debajo del mango (Figura 14). Abra los demás sujetadores que cierran el alojamiento.



Figura 14 – Abra el sujetador debajo del mango; use la llave hexagonal

3. Abra el alojamiento (Figura 15).

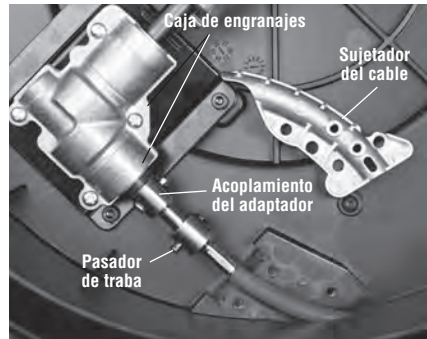


Figura 15 – Apertura del alojamiento de la limpiadora de desagües

4. Extraiga los tornillos del sujetador del cable y el sujetador del cable (Figura 15, Figura 16).
5. Extraiga el pasador de traba fuera del acoplamiento del cable.
6. Extraiga el acoplamiento del cable fuera del acoplamiento del adaptador. Quite el conjunto del cable.
7. Proceda en forma inversa para ensamblar el aparato. Apriete bien todos los tornillos sujetadores. Asegure que la vaina esté junta al tope de la ventanilla en el sujetador del cable. *Vea la Figura 16.*

Resolución de problemas

PROBLEMA	POSIBLE RAZÓN	SOLUCIÓN
El cable se pliega o se corta.	El conjunto del cable se está forzando.	No fuerce el conjunto del cable. Siga las instrucciones de funcionamiento.
	La máquina FlexShaft o la golpeadora de cadenas no son los correctos para el diámetro de tubo.	Use una máquina FlexShaft o golpeadora de cadenas que correspondan al diámetro del tubo.
	El taladro está funcionando en reversa.	Use el taladro en reversa solamente si el cable se atasca en el tubo.
	El cable ha sido expuesto a ácidos y está corroído.	Limpie el conjunto del cable en forma rutinaria.
	El cable o la vaina están desgastados.	Reemplace el conjunto del cable desgastado.
	El conjunto del cable no está debidamente sujeto.	Sujete el cable correctamente. <i>Vea las instrucciones.</i>
	La golpeadora de cadenas no está bien instalada o ajustada.	Instale y ajuste la golpeadora de cadenas correctamente. <i>Vea las instrucciones.</i>
La máquina FlexShaft se bambolea o se mueve cuando se limpia el desagüe.	El taladro no es el que corresponde o se están usando ajustes incorrectos.	Seleccione correctamente el taladro y sus ajustes. <i>Vea las instrucciones.</i>
	El suelo está desnivelado.	Coloque la máquina en una superficie nivelada y estable.

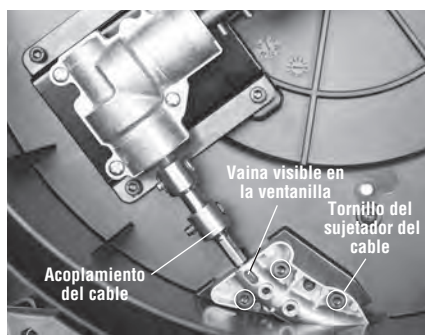


Figura 16 – Reemplazo del conjunto del cable

Servicio y reparaciones

⚠ ADVERTENCIA

Esta máquina puede tornarse insegura si se repara o se mantiene incorrectamente.

La mayoría de las necesidades de servicio de esta máquina aparecen en las *Instrucciones de mantenimiento*. Cualquier problema que no aparezca en dicha sección debe encomendarse a un servicentro independiente autorizado de RIDGID. Use solamente repuestos RIDGID.

Para información sobre el servicentro independiente autorizado de RIDGID más cercano o si tiene preguntas sobre reparaciones, consulte la *Información de contacto* en este manual.

Equipo opcional

⚠ ADVERTENCIA

Para reducir el riesgo de lesiones graves, use solamente accesorios diseñados específicamente y recomendados para usar con las limpiadoras de desagües FlexShaft de RIDGID, como los equipos en la lista siguiente.

Nº Cat.	Descripción
64283	Golpeadora, cable de ¼", tubo de ½" a 2", una sola cadena, puntas de carburo
64288	Golpeadora, cable de ¼", tubo de 2", dos cadenas, puntas de carburo
64293	Golpeadora, cable de ¼", tubo de 1½" a 2", una sola cadena
64298	Golpeadora, cable de ¼", tubo de 2", dos cadenas
64308	Golpeadora, cable de 5/16", tubo de 2", dos cadenas, puntas de carburo
64313	Golpeadora, cable de 5/16", tubo de 3", tres cadenas, puntas de carburo
64318	Golpeadora, cable de 5/16", tubo de 4", tres cadenas, puntas de carburo
64323	Golpeadora, cable de 5/16", tubo de 2", dos cadenas
64328	Golpeadora, cable de 5/16", tubo de 3", tres cadenas
64333	Golpeadora, cable de 5/16", tubo de 4", tres cadenas
64338	Lubricante FlexShaft, 8 onzas, 12 por caja
64343	Conjunto de cable de ¼", vaina, acoplamientos, de 50 pies
64348	Conjunto de cable de 5/16", vaina, acoplamientos, de 70 pies
64363	Accesorio RIDGID de 1¼" para tubo mural
64368	Accesorio RIDGID de 1½" para tubo mural

Para una lista completa de los equipos RIDGID disponibles para estas máquinas, vea en línea el catálogo de Ridge Tool en RIDGID.com o consulte la *Información de contacto*.

Eliminación

Partes de las máquinas contienen materiales valiosos y se pueden reciclar. Hay compañías locales que se especializan en el reciclaje. Deseche los componentes y cualquier aceite de desecho de acuerdo con todos los reglamentos correspondientes. Para más información sobre la eliminación de desechos, comuníquese con la agencia local de eliminación de residuos.

FlexShaft™ - Abflussreinigungsgeräte Modelle K9-102+ und K9-204+



⚠️ WARNUNG!

Lesen Sie diese Bedienungsanleitung vor dem Gebrauch des Geräts sorgfältig durch. Die Unkenntnis und Nichtbeachtung des Inhalts dieser Bedienungsanleitung kann zu Stromschlag, Brand und/oder schweren Verletzungen führen.

RIDGID®

Inhaltsverzeichnis

Sicherheitssymbole	61
Allgemeine Sicherheitsregeln	61
Sicherheit im Arbeitsbereich	61
Elektrische Sicherheit	61
Sicherheit von Personen	62
Benutzung und Pflege	62
Wartung	62
Spezifische Sicherheitsinstruktionen	62
Sicherheit der FlexShaft Abflussreinigungsmaschine	62
RIDGID Kontaktinformationen	63
Beschreibung	63
Technische Daten	64
Technische Daten – brauchbare Akkubohrer	64
Standardausstattung	64
Inspektion vor der Benutzung	65
Vorbereiten von Maschine und Arbeitsbereich	65
Vorbereiten und Betrieb des Akkubohrers	67
Bohrschalter	67
Bohrdrehzahl	67
Einstellung der Rutschkupplung	68
Installation/Einstellung des Kettenschleuderkopfes	68
Bedienhinweise	71
Entleeren der Trommel	75
Transport	75
Aufbewahrung	75
Wartungsanweisungen	75
Reinigung	75
Schmierung	75
Austausch der Spirale	75
Wartung und Reparatur	77
Optionale Ausstattung	77
Fehlerbehebung	77
Entsorgung	78
EG-Konformitätserklärung	Hintere Umschlagseite
Garantie	Rückseite

* Übersetzung der Originalbetriebsanleitung

Sicherheitssymbole

Wichtige Sicherheitshinweise werden in dieser Bedienungsanleitung und auf dem Produkt mit bestimmten Sicherheitssymbolen und Warnungen gekennzeichnet. Dieser Abschnitt enthält Erläuterungen zu diesen Warnhinweisen und Symbolen.



Dies ist das allgemeine Gefahrensymbol. Es weist auf mögliche Verletzungsgefahren hin. Beachten Sie alle Hinweise mit diesem Symbol, um Verletzungs- oder Lebensgefahr zu vermeiden.



GEFAHR GEFAHR weist auf gefährliche Situationen hin, die bei Nichtbeachtung zu tödlichen bzw. ernsthaften Verletzungen führen.



WARNUNG WARNUNG weist auf gefährliche Situationen hin, die bei Nichtbeachtung zu tödlichen bzw. ernsthaften Verletzungen führen können.



ACHTUNG ACHTUNG weist auf eine gefährliche Situation hin, die ohne entsprechende Sicherheitsvorkehrungen zu kleineren bis mittelschweren Verletzungen führen kann.



HINWEIS HINWEIS kennzeichnet Informationen, die sich auf den Schutz des Eigentums beziehen.



Dieses Symbol bedeutet, dass vor Verwendung der Ausrüstung die Bedienungsanleitung sorgfältig durchzulesen ist. Die Bedienungsanleitung enthält wichtige Informationen für den sicheren, ordnungsgemäßen Gebrauch des Geräts.



Dieses Symbol bedeutet, dass bei der Arbeit mit diesem Gerät immer eine Schutzbrille mit Seitenschutz oder ein Augenschutz zu verwenden ist, um Augenverletzungen zu vermeiden.



Dieses Symbol weist auf die Gefahr hin, dass Hände, Finger oder andere Körperteile sich in der FlexShaft-Reinigungs spirale verfangen oder von ihr eingeklemmt oder eingezquetscht werden können.



Dieses Symbol weist auf die Gefahr von Stromschlägen hin.



Dieses Symbol weist auf die Gefahr hin, dass sich Finger oder andere Körperteile im Kettenschleuderkopf verfangen oder von ihm gequetscht oder getroffen werden könnten. Bedienen Sie das Werkzeug nicht, wenn sich das Spiralenende außerhalb des Abflusses befindet.



Dieses Symbol bedeutet, dass bei der Handhabung oder Benutzung des Gerätes immer Arbeitshandschuhe zu tragen sind, um die Gefahr von Infektionen, Verbrennungen oder anderen schweren Verletzungen durch den Inhalt des Abflusses zu reduzieren.

Allgemeine Sicherheitsregeln

⚠️ WARNUNG

Lesen Sie alle Warnungen und Anweisungen sorgfältig durch. Bei Nichtbeachtung der folgenden Warnungen und Anweisungen kann es zu Stromschlag, Brand und/oder schweren Verletzungen kommen.

BEWAHREN SIE DIESE ANLEITUNG AUF!

Sicherheit im Arbeitsbereich

- Halten Sie Ihren Arbeitsbereich sauber und sorgen Sie für eine gute Beleuchtung. Unordentliche und unzureichend beleuchtete Arbeitsbereiche erhöhen die Unfallgefahr.
- Verwenden Sie Werkzeuge nicht in explosionsgefährdeten Bereichen mit leicht entflammaren Flüssigkeiten, Gasen oder Staub. Im Werkzeugbetrieb entstehen Funken, die Staub oder Brandgase entzünden können.

- Verwenden Sie Werkzeug nicht in der Nähe von Kindern oder unbeteiligten Personen. Ablenkungen können zum Verlust der Kontrolle über das Gerät führen.
- Halten Sie den Boden trocken und frei von rutschigen Materialien wie Öl. Rutschige Böden erhöhen die Unfallgefahr.

Elektrische Sicherheit

- Vermeiden Sie den Kontakt mit geerdeten Oberflächen wie Rohren, Heizungen, Herden oder Kühlschränken. Wenn Ihr Körper geerdet ist, besteht eine erhöhte Stromschlaggefahr.
- Halten Sie Elektrowerkzeuge von Regen und Nässe fern. Das Eindringen von Wasser in ein Elektrowerkzeug erhöht die Stromschlaggefahr.
- Wenn Sie ein Elektrowerkzeug in feuchter Umgebung einsetzen müssen, verwenden Sie eine Stromversorgung mit Fehlerstromschutzschalter (FI-Schutzschalter). Die Verwendung eines Fehlerstromschutzschalters (FI-Schutzschalters) verringert die Gefahr eines Stromschlags.

Sicherheit von Personen

- **Blieben Sie aufmerksam, arbeiten Sie achtsam und benutzen Sie bei der Bedienung von Werkzeugen Ihren gesunden Menschenverstand. Bedienen Sie Werkzeuge nicht unter Einfluss von Drogen, Alkohol oder Medikamenten.** In einem kurzen Moment der Unaufmerksamkeit können laufende Werkzeuge Sie selbst oder andere Personen schwer verletzen.
- **Tragen Sie immer persönliche Schutzkleidung. Immer einen Augenschutz tragen.** Das Tragen einer Schutzausrüstung, wie Staubmaske, rutschfeste Sicherheitsschuhe, Schutzhelm oder Gehörschutz, verringert das Risiko von Verletzungen und ist daher unbedingt erforderlich.
- **Lehnen Sie sich nicht zu weit in eine Richtung. Sorgen Sie stets für ein sicheres Gleichgewicht und einen festen Stand.** Durch sicheren Stand und gutes Gleichgewicht können Sie das Gerät in unerwarteten Situationen besser kontrollieren.

Benutzung und Pflege

- **Bedienen Sie das Werkzeug nicht mit Gewalt. Verwenden Sie immer ein für den Einsatzbereich geeignetes Werkzeug.** Das richtige Werkzeug, bestimmungsgemäß angewendet, erledigt die Arbeit zuverlässig und sicher.
- **Bewahren Sie ungenutzte Werkzeuge außerhalb der Reichweite von Kindern auf und lassen Sie sie nicht von Personen bedienen, die mit dem Werkzeug nicht vertraut sind oder diese Anweisungen nicht gelesen haben.** Werkzeuge in der Hand unerfahrener Personen können gefährlich sein.
- **Werkzeugpflege. Stellen Sie sicher, dass sich alle beweglichen und festen Teile in der richtigen Position befinden, keine Teile gebrochen sind oder die Werkzeugfunktion durch sonstige Fehler beeinträchtigt ist. Ein beschädigtes Werkzeug muss vor einer erneuten Verwendung repariert werden.** Viele Unfälle entstehen durch schlecht gewartete Werkzeuge.
- **Halten Sie alle Griffe trocken, sauber und frei von Öl und Schmierfett.** So lässt sich das Werkzeug besser bedienen.

Wartung

- **Lassen Sie Ihr Werkzeug nur von qualifiziertem Fachpersonal und nur mit Original-Ersatzteilen reparieren.** So bleibt das Werkzeug sicher.

Spezifische Sicherheitsinstruktionen

⚠️ WARNUNG

Dieser Abschnitt enthält wichtige Sicherheitshinweise, die speziell für dieses Werkzeug gelten.

Lesen Sie vor dem Gebrauch der FlexShaft™ Abflussreinigungsmaschine diese Sicherheitshinweise sorgfältig durch, um die Gefahr eines Stromschlags oder schwerer Verletzungen zu verringern.

ALLE WARNUNGEN UND ANWEISUNGEN ZUR SPÄTEREN EINSICHT AUFBEWAHREN!

Bewahren Sie diese Bedienungsanleitung beim Gerät auf, damit sie dem Bediener jederzeit zur Verfügung steht.

Sicherheit der FlexShaft Abflussreinigungsmaschine

- **Tragen Sie bei der Handhabung oder Benutzung immer eine Schutzbrille und intakte Schutzhandschuhe.** Tragen Sie Latex- oder Gummihandschuhe, Visier, Schutzkleidung, Atemgeräte oder sonstige geeignete Schutzausrüstung, wenn am Arbeitsort Chemikalien, Bakterien oder andere toxische oder infektiöse Substanzen vorliegen könnten, um die Gefahr von Infektionen, Verbrennungen oder anderen schweren Verletzungen zu mindern.
- **Bedienen Sie das Werkzeug nur mit einem kabellosen Bohrer.** Bei Verwendung eines Bohrers mit Kabel besteht eine höhere Gefahr eines Stromschlags und anderer Verletzungen.
- **Lassen Sie den Kettenschleuderkopf/das Spiralenende nicht zum Stillstand kommen, während der Bohrerhalter betätigt wird.** Dadurch kann die Spirale überlastet werden, sich verdrehen, abknicken oder brechen, was schwere Verletzungen verursachen kann.
- **Achten Sie stets auf Sauberkeit. Essen oder rauchen Sie beim Umgang mit dem Gerät nicht. Waschen Sie nach dem Umgang mit Abflussreinigungsgeräten Hände und andere Körperteile, die mit dem Inhalt des Abflusses in Berührung gekommen sind, mit heißem Seifenwasser.** Dadurch reduzieren Sie Gesundheitsgefahren aufgrund einer Exposition gegenüber giftigen oder infektiösen Stoffen.
- **Verwenden Sie den Rohrreiner nur für die empfohlenen Rohrgrößen.** Bei Verwendung eines Rohrreinigers der fal-

schen Größe kann die Spirale sich verdrehen, abknicken oder brechen, was Verletzungen verursachen kann.

- **Lassen Sie die Hand an der Spirale, während die FlexShaft-Maschine läuft.** So haben Sie bessere Kontrolle über die Spirale und verhindern, dass diese sich verdreht, knickt oder bricht, was zu schweren Verletzungen führen kann.
- **Positionieren Sie den Spirale Austritt der Maschine im Abstand von maximal 3' (1 m) zur Abflussöffnung oder stützen Sie die freiliegende Spirale bei einem Abstand über 3' (1 m) ab.** Bei größeren Abständen kann sich die Spirale verdrehen, knicken oder brechen. Ein Verdrehen, Knicken oder Brechen der Spirale kann Stoß- oder Quetschverletzungen verursachen.
- **Eine Person muss gleichzeitig Spirale und Akkubohrer bedienen.** Verriegeln Sie den Bedienschalter des Bohrers nicht während des Betriebs. Wenn sich die Spirale nicht mehr dreht, muss der Bohrer-Bedienerschalter losgelassen werden, um ein Verdrehen, Abknicken und Brechen der Spirale und Verletzungen zu verhindern.
- **Tragen Sie keine weiten Kleidungsstücke oder Schmuck. Halten Sie Haare und Kleidung von bewegenden Teilen fern.** Weite Kleidung, Schmuck oder lange Haare können von bewegten Teilen erfasst werden.
- **Arbeiten Sie nicht mit dem Gerät, wenn der Bediener oder das Gerät im Wasser steht.** Bei der Arbeit mit dem Gerät im Wasser erhöht sich die Stromschlaggefahr.
- **Nicht benutzen, wenn beim Betrieb die Gefahr des Kontakts mit anderen Versorgungsleitungen (z.B. Erdgas oder Strom) besteht.** Die visuelle Inspektion des Abflusses mit einer Kamera empfiehlt sich. Querbohrungen, unsachgemäß verlegte Versorgungsleitungen und beschädigte Abflussleitungen könnten dazu führen, dass der Schneidkopf die Versorgungsleitungen berührt und beschädigt. Dies könnte zu elektrischen Schlägen, Austreten von Gas, Feuer, Explosionen oder anderen schweren Schäden oder Verletzungen führen.
- **Lesen Sie diese Anweisungen, die Bedienungsanleitung des Akkubohrers und aller anderen zusammen mit dem Werkzeug verwendeten Geräte vor Verwendung sorgfältig durch.** Die Nichtbefolgung der Anweisungen kann zu Sachschäden und/oder schweren Verletzungen führen.

RIDGID Kontaktinformationen

Wenn Sie Fragen zu diesem RIDGID®-Produkt haben:

- Wenden Sie sich an Ihren örtlichen RIDGID Händler.
- Besuchen Sie RIDGID.com, um einen RIDGID Kontaktpunkt in Ihrer Nähe zu finden.
- Wenden Sie sich an die Abteilung Technischer Kundendienst von Ridge Tool unter ProToolsTechService@Emerson.com oder in den USA und Kanada telefonisch unter 844-789-8665.

Beschreibung

Die RIDGID® Abflussreinigungsmaschinen Modell K9-102+ und K9-204+ FlexShaft™ sind zum Reinigen und Entkalken von Rohren und Abflüssen ausgelegt, wie in den *Technischen Daten* angegeben.

Die FlexShaft Abflussreinigungsmaschinen werden von einem vom Benutzer bereitgestellter Akkubohrer angetrieben. Die Spirale der FlexShaft Abflussreinigungsmaschine wird manuell in den Abfluss geschoben und herausgezogen. Ein Kettschleuderkopf, der bis auf den Innendurchmesser des Rohres aufgedehnt wird, entfernt die Blockade und reinigt die Rohrwände. Wurzeln und Kalkablagerungen können mit Schleuderköpfen mit Hartmetall-Schneidspitzen von den Rohrwänden entfernt werden. Glatte Schleuderköpfe sind für allgemeine Anwendungen einschließlich Schmierfett vorgesehen. FlexShaft Rohrreiner können auch gut in Verbindung mit Inspektionskameras eingesetzt werden.

Die FlexShaft-Maschinen sind leicht, kompakt und einfach zu transportieren.



Abbildung 1A – RIDGID® FlexShaft Abflussreinigungsmaschine

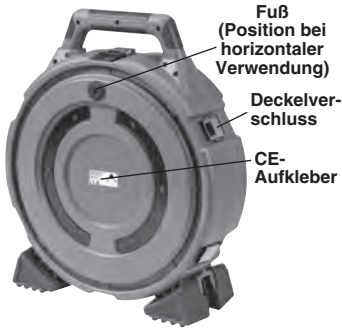


Abbildung 1B – RIDGID® FlexShaft Abflussreinigungsmaschine

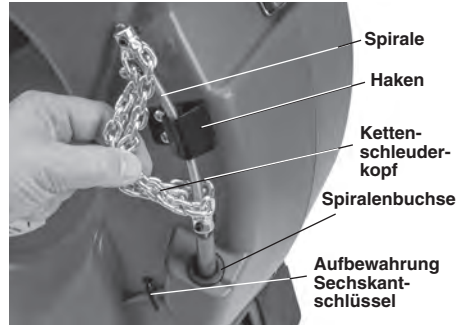


Abbildung 1C – Spiralenende/ Kettenschleuderkopf

Technische Daten

	K9-102+	K9-204+
Modell	K9-102+	K9-204+
Abflussgröße (Nennwert).....	1¼" bis 2" (32 – 50 mm)	2" bis 4" (50 – 100 mm)
Spiralendurchmesser (ohne Ummantelung).....	¼" (6 mm)	⅝" (8mm)
Spirale Durchmesser (mit Ummantelung)	⅜" (9,5 mm)	⅞" (12,7 mm)
Spiralenlänge	50' (15,2 m)	70' (21,3 m)
Drehzahl	maximal 2500/min.	maximal 2500/min.
Bohraufsatz	⅝" Hex (8 mm)	⅝" Hex (8 mm)
Gewicht (ohne Bohrer/Schleuderkopf).....	24.3 lbs (11,0 kg)	37.3 lbs (16,9 kg)
Abmessungen (ohne Bohrer)	19.2" x 7.5" x 22.1" (488 mm x 191 mm x 562 mm)	21.1" x 10.8" x 24.2" (536 mm x 274 mm x 615 mm)
Betriebstemperatur.....	20 bis 140 °F (-6 bis +60 °C)	20 bis 140 °F (-6 bis +60 °C)

Die FlexShaft-Rohrreinigungsmaschine sollte nicht an Armaturen aus Glas, Keramik, Porzellan oder ähnlichen Materialien angewendet werden, da sie diese beschädigen könnte.

Technische Daten – brauchbare Akkubohrer

Drehzahl 1800 bis 2500/min
 Spannfuttergröße..... ⅜" oder größer
 Kupplung Mit verstellbarem Drehmoment
 Schaltertyp Taster
 Schaltersperre Keine

Die Bohrmaschine muss mit dem entsprechenden Zertifizierungssymbol für den Markt (CE-Kennzeichen, c)us Kennzeichen usw.) versehen sein.

Keine Bohrer mit Kabel, Schlagbohrer oder Schlagschrauber verwenden. Die Verwendung eines unpassenden Bohrers erhöht die Gefahr von Geräteschäden und

Verletzungen. *Siehe Abschnitt Vorbereiten und Betrieb des Akkubohrers.*

Standardausstattung

Einzelheiten zur Ausrüstung im Lieferumfang einer bestimmten Abflussreinigungsmaschine finden Sie im RIDGID Katalog.

HINWEIS Diese Maschine dient zum Reinigen von Abflüssen. Bei sachgemäßer Benutzung beschädigt sie Abflussrohre, die sich in einem einwandfreien Zustand befinden und sachgemäß geplant, installiert und gewartet wurden, nicht. Wenn sich das Abflussrohr in einem schlechten Zustand befindet oder nicht sachgemäß geplant, installiert und gewartet wurde, ist der Abflussreinigungsprozess eventuell nicht effektiv oder kann Schäden am Abfluss verursachen. Der Zustand eines Abflusses vor der Reinigung lässt sich am besten durch eine Sichtprüfung mit einer Kamera feststellen. Bei einer unsachgemäßen Verwendung der Abflussreinigungsmaschine können Maschine und Abfluss beschädigt werden. Diese Maschine beseitigt unter Umständen nicht alle Blockaden.

Inspektion vor der Benutzung

⚠️ WARNUNG



Überprüfen Sie vor jeder Benutzung Ihre Abflussreinigungsmaschine und beheben Sie etwaige Probleme, um die Gefahr schwerer Verletzungen durch elektrische Schläge, verdrehte oder gebrochene Spiralen, Verletzungen durch Chemikalien, Infektionen und andere Ursachen zu verringern und die Abflussreinigungsmaschine nicht zu beschädigen.

Tragen Sie bei der Inspektion Ihrer Abflussreinigungsmaschine grundsätzlich eine Schutzbrille und sonstige angemessene Schutzausrüstung.

1. Reinigen Sie die Maschine, einschließlich der Griffe und Bedienelemente. Dies erleichtert die Inspektion und hilft, zu vermeiden, dass Gerät oder Bedienelemente Ihnen aus den Händen gleiten. Reinigen und pflegen Sie die Maschine entsprechend der Wartungsanleitung.
2. Überprüfen Sie die Maschine auf Folgendes:
 - Korrekte Montage und Vollständigkeit.
 - Gebrochene, verschlissene, fehlende, falsch eingestellte oder klemmende Teile.
 - Vorhandensein und Lesbarkeit des Warnschilds (siehe Abbildung 2).

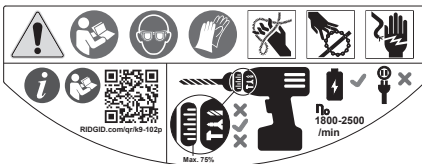


Abbildung 2 – Warnschild

- Ruhiger Lauf, freie Bewegung der Spirale in die/aus der Maschine.
- Sonstige Umstände, die einen sicheren und normalen Betrieb verhindern könnten.

Bei Problemen verwenden Sie die Abflussreinigungsmaschine erst wieder, nachdem die Probleme behoben wurden.

3. Entfernen Sie alle Verunreinigungen von Spirale und Kettenschleuderkopf. Überprüfen Sie die Ummantelung auf Verschleiß und Beschädigung. Sie darf

keinerlei Einschnitte, Knicke, Brüche oder übermäßigen Verschleiß aufweisen. Überprüfen Sie die Spirale in der Nähe des Kettenschleuderkopfes. Die Spiralen dürfen nicht verbogen oder verformt sein. Die einzelnen Litzen der Spirale müssen eng aneinander anliegen. Überprüfen Sie den Kettenschleuderkopf auf beschädigte oder verlorene Hartmetall-Schneidspitzen (sofern vorhanden) sowie Verschleiß der Kette selbst. Sind die Kettenglieder um mehr als $\frac{1}{4}$ abgenutzt oder beschädigt, ersetzen Sie den Kettenschleuderkopf. Ersetzen Sie verschlissene und beschädigte Ausrüstung, bevor Sie die Abflussreinigungsmaschine verwenden.

Überprüfen Sie, ob der Kettenschleuderkopf ordnungsgemäß angebracht und an der Spirale gesichert ist.

4. Inspizieren Sie den Akkubohrer entsprechend der Bedienungsanleitung. Vergewissern Sie sich, dass sich die Bohrmaschine in einem einwandfreien Zustand ist und der Schalter die Bohrfunktion regelt. Überprüfen Sie, ob der Bohrer die Anforderungen im Abschnitt "Technische Daten" erfüllt und ordnungsgemäß für die Verwendung mit der Maschine eingerichtet ist.
5. Kontrollieren und warten Sie alle anderen verwendeten Ausrüstungsteile gemäß der jeweiligen Anleitung, um sicherzustellen, dass sie in funktionsfähigen Zustand sind.

Vorbereiten von Maschine und Arbeitsbereich

⚠️ WARNUNG



Bereiten Sie Abflussreinigungsmaschine und Arbeitsbereich wie hier beschrieben vor, um die Verletzungsgefahr durch elektrischen Schlag, Feuer, Umkippen der Maschine, verdrehte oder gebrochene Spiralen, Verletzungen durch Chemikalien, Infektionen und andere Ursachen zu mindern und Schäden an der Maschine zu verhindern.

Tragen Sie bei der Einrichtung Ihrer Abflussreinigungsmaschine grundsätzlich eine Schutzbrille und sonstige angemessene Schutzausrüstung.

1. Auf Eignung des Arbeitsbereichs achten. Arbeiten Sie auf einem freien, ebenen, stabilen und trockenen Untergrund. Benutzen Sie die Abflussreinigungsmaschine nicht im Wasser stehend.
2. Überprüfen Sie den zu reinigenden Abfluss. Bestimmen Sie nach Möglichkeit den/die Zugangspunkt(e) zum Abfluss, Größe, Länge und Material des Abflusses, den Abstand zu den Hauptleitungen, die Art der Blockade, ob Abflussreinigungschemikalien oder andere Chemikalien vorhanden sind usw.

Wenn Chemikalien im Abfluss vorhanden sind, müssen die spezifischen Sicherheitsmaßnahmen für die Arbeit bei Vorhandensein dieser Chemikalien bekannt sein. Fragen Sie beim Hersteller der Chemikalien nach den jeweiligen Produktinformationen. Vergewissern Sie sich, dass im Abfluss oder seiner Umgebung keine anderen Versorgungsleitungen vorhanden sind, um das Risiko einer Beschädigung zu mindern. Die visuelle Inspektion des Abflusses mit einer Kamera empfiehlt sich.

Entfernen Sie bei Bedarf Armaturen (WC usw.), um den Zugang zum Abfluss zu ermöglichen. Drehen Sie den Kettenschleuderkopf nicht in einem Spannstück. Dadurch kann die FlexShaft-Maschine oder das Spannstück beschädigt werden.

Das beste Reinigungsergebnis wird erzielt, wenn während der Reinigung Wasser durch das Rohr strömt und die Verschmutzungen wegspült. Für 1/4" und 1/2" Waschbeckenabflüsse sind hierfür ausgeschnittene Wandrohre erhältlich. Zur Installation *siehe Abbildung 3*. Stellen Sie einen Behälter unter, um eventuell austretenden Abflussinhalt aufzufangen.

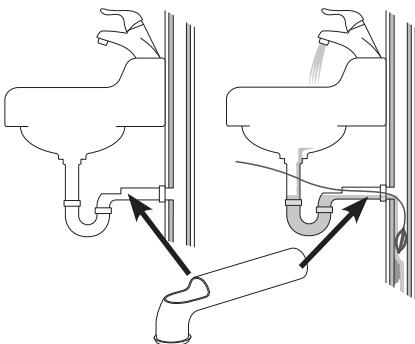


Abbildung 3 – Installation der Wandrohre

3. Bestimmen Sie die für den Einsatzbereich geeignete Ausrüstung. *Siehe technische Daten*. Abflussreinigungsmaschinen für andere Anwendungen finden Sie im Online-Werkzeugkatalog (Ridge Tool Catalog) unter RIDGID.com.
4. Vergewissern Sie sich, dass die gesamte Ausrüstung ordnungsgemäß geprüft wurde.
5. Bringen Sie bei Bedarf Schutzabdeckungen im Arbeitsbereich an. Bei der Abflussreinigung kann Schmutz anfallen.
6. Stellen Sie die Abflussreinigungsmaschine mit der Bohrerwelle nach oben auf den Boden. Die Maschine muss eben und fest auf dem Boden stehen. Maschine nicht mit waagrecht stehender Bohrerwelle bedienen. Dadurch reduziert sich die Gefahr eines Umkippens.
7. Entfernen Sie den Akku aus dem Bohrer. Bereiten Sie den Bohrer ordnungsgemäß vor. (*Siehe Abschnitt Vorbereiten und Betrieb des Akkubohrers.*) Befestigen Sie das Bohrfutter sicher am Sechskant der Bohrerwelle (*Abbildung 4*).

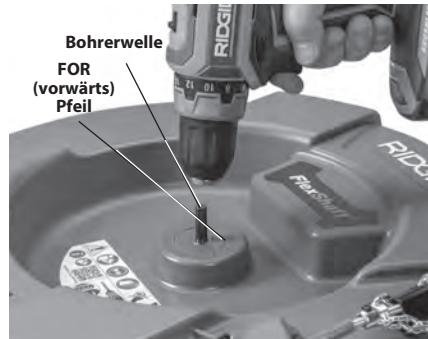


Abbildung 4 – Befestigung des Bohrers an der Bohrerwelle



Abbildung 5 – Beispiel der Verlängerung der Abflussöffnung auf einen Abstand von maximal 3' zum Spiralenaustritt der Maschine

8. Stellen Sie die Abflussreinigungsmaschine mit dem Spiralenaustritt maximal 3 Fuß (1 m) von der Abflussöffnung entfernt auf. Bei einem größeren Abstand zur Abflussöffnung steigt die Gefahr, dass sich die Spirale verdreht oder abknickt. Kann die FlexShaft-Maschine nicht mit dem Spiralenaustritt innerhalb von 3' (1 m) von der Abflussöffnung aufgestellt werden, verlängern Sie den Abfluss durch ein Rohr und Armaturen ähnlicher Größe (siehe *Abbildung 5*). Bei fehlerhafter Montage kann die Spirale abknicken und sich verdrehen und beschädigt werden oder den Bediener verletzen. Die Verlängerung des Abflusses zurück zur Abflussreinigungsmaschine erleichtert außerdem das Einführen der Spirale in den Abfluss.
9. Lösen Sie den Kettenschleuderkopf vom Haken und ziehen Sie die Spirale ca. 4' (1,2 m) aus der Maschine heraus.
10. Markieren Sie die Ummantelung an einer Stelle kurz bevor der Kettenschleuderkopf beim Herausziehen die Abflussöffnung erreicht. Dies kann mit Klebeband erfolgen. Dies reduziert die Gefahr, dass der Kettenschleuderkopf beim Herausziehen umherpeitscht. Der Abstand ist von der Konfiguration des Abflusses abhängig, sollte aber mindestens 4' (1,2 m) vom Kettenschleuderkopf entfernt sein.
11. Überprüfen Sie, ob der Kettenschleuderkopf ordnungsgemäß installiert ist (siehe *Installation/Einstellung des Kettenschleuderkopfes*).
12. Führen Sie das Ende mit dem Kettenschleuderkopf mindestens 1' (0,3 m) in den Abfluss ein.
13. Überprüfen Sie, ob der Arbeitsbereich abgesperrt werden muss, um Personen von der Abflussreinigungsmaschine und vom Arbeitsbereich fernzuhalten. Die Rohrreinigung ist eine schmutzige Angelegenheit, außerdem können die Umstehenden den Bediener ablenken.
14. Positionieren Sie die Maschine so, dass sie leicht zugänglich ist. Sie müssen die Spirale und den Bohrer gleichzeitig halten und bedienen.
15. Setzen Sie den Akku mit trockenen Händen in den Bohrer ein.

Vorbereiten und Betrieb des Akkubohrers

Siehe *Abschnitt Technische Daten* zusammen mit diesem Abschnitt für Informationen über brauchbare Akkubohrer für die Verwendung mit den FlexShaft Abflussreinigungsmaschinen. Es gibt viele Arten von Akkubohrern, und nicht alle sind für den Einsatz mit den FlexShaft Abflussreinigungsmaschinen geeignet. Wenn es Unwägbarkeiten zur Eignung eines Bohrers für diese Anwendung gibt, verwenden Sie ihn nicht. Entfernen Sie den Akku aus dem Bohrer, bevor Sie Einstellungen vornehmen oder den Bohrer an der Abflussreinigungsmaschine anbringen/entfernen.

Bohrschalter

Der Bohrer muss mit einem Taster ohne Schaltersperre ausgestattet sein. Das bedeutet, dass sich der Bohrer nur dreht, wenn der Bediener den Bohrschalter drückt. Wenn der Bohrschalter losgelassen wird, schaltet sich der Bohrer aus. Den Bohrer auf Rechtslauf einstellen (siehe *Abb. 4*).

Bohrdrehzahl

Der erforderliche Drehzahlbereich beträgt bei Benutzung der FlexShaft Abflussreinigungsmaschine 1800 - 2500/min. Die Reinigung wird optimiert, wenn sich die Kettenschleuderköpfe näher an der maximalen Drehzahl von 2500/min drehen. Verinnerlichen Sie die technischen Daten und Einstellungen Ihres Akkubohrers, um den Betrieb zu optimieren. Viele Akkubohrer haben mehrere Gänge, und in der Regel liegt die höchste Drehzahl im Bereich für den Betrieb der FlexShaft-Ausrüstung. Siehe *Abbildung 6* für ein Beispiel für die Einstellung der Bohrdrehzahl. Betreiben Sie die FlexShaft Abflussreinigungsmaschine nicht über 2500/min.

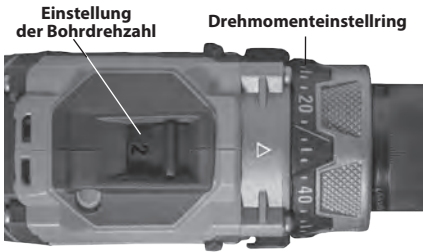


Abbildung 6 - Bohreinstellungen

Einstellung der Rutschkupplung

Verwenden Sie immer eine Akku-Bohrmaschine, die mit einer richtig eingestellten Rutschkupplung ausgestattet ist. Dies trägt dazu bei, das Risiko von Spiralschäden in der Trommel der Abflussreinigungsmaschine zu verringern und die Griffkräfte zu reduzieren.

Akkubohrer, die mit einer Rutschkupplung ausgestattet sind, verfügen typischerweise über einen Drehmomenteinstellring (Abbildung 6), der mit einer ansteigenden Skala ab eins gekennzeichnet ist, um ein zunehmendes Drehmoment beim Auskuppeln anzuzeigen. Die Rutschkupplung wird häufig zum Eindrehen von Schrauben verwendet und kann einen Wahlschalter haben, der auf die Betriebsart "Schrauben" (☛) eingestellt werden muss, damit die Rutschkupplung funktioniert. Wenn die Rutschkupplung auslöst, dreht sich der Motor weiter, das Bohrfutter jedoch nicht. Oftmals geht dies mit Vibrationen/Geräuschen aus dem Bohrer einher.

Akkubohrer sind oft auch mit den Betriebsarten "Bohren" (☛) und "Hammer" (☛) ausgestattet (Abbildung 7). **In diesen Betriebsarten funktioniert die Rutschkupplung nicht und sie sollten niemals für den Betrieb der FlexShaft Abflussreinigungsmaschine verwendet werden.**



Abbildung 7 - Auswahl der richtigen Betriebsart

Beginnen Sie bei der Verwendung der FlexShaft Abflussreinigungsmaschinen immer mit der Rutschkupplung bei ca. 25% des gesamten Kupplungseinstellbereichs (Beispiel - wenn der Drehmomenteinstellung am Bohrer von 1 bis 20 markiert ist, sollte die anfängliche Einstellung 5 sein).

Betreiben Sie die Abflussreinigungsmaschine gemäß dieser Anleitung. Für ein effizientes Entfernen von Blockaden lassen Sie den Bohrer mit voller Geschwindigkeit laufen. Drücken Sie den Kettenschleuderkopf nicht gewaltsam in die Blockade. Wenn sich der Kettenschleuderkopf nicht drehen kann, kann er den Abfluss nicht reinigen. Möglicherweise muss der Kettenschleuderkopf von der Blockade wegbewegt werden, damit die Drehzahl wieder ansteigen kann. Wenn die Rutschkupplung während des Betriebs kontinuierlich auslöst ("auskuppelt"), lassen Sie den Bohrschalter los und ziehen Sie die Spirale aus dem Abfluss. Überprüfen Sie Einrichtung und Betrieb der Abflussreinigungsmaschine - ein wichtiger Bestandteil der Vorbereitung für den ordnungsgemäßen Betrieb ist die Auswahl und die Einstellung des Kettenschleuderkopfes (siehe Abbildung 9 für Details). Nehmen Sie alle erforderlichen Änderungen vor und reinigen Sie den Abfluss weiter.

Wenn die Rutschkupplung während des Betriebs weiterhin auslöst, kann die Einstellung der Rutschkupplung erhöht werden. Die Rutschkupplung kann schrittweise bis zu 75% des gesamten Einstellbereichs der Kupplung erhöht werden. (Beispiel - wenn der Drehmomenteinstellung am Bohrer von 1 bis 20 markiert ist, sollte die maximale Einstellung nicht mehr als 15 betragen). **Überschreiten Sie nicht 75% des gesamten Einstellbereichs der Kupplung. Versetzen Sie den Bohrer niemals in die Betriebsart "Bohren" (☛) oder "Hammer" (☛) - dadurch wird die Rutschkupplung deaktiviert. Dadurch erhöht sich das Risiko von Spiralschäden in der Trommel der Abflussreinigungsmaschine.**

Wenn die Rutschkupplung selbst dann auslöst, wenn sie auf 75% des gesamten Kupplungseinstellbereichs eingestellt ist, erwägen Sie die Verwendung einer anderen RIDGID Abflussreinigungsmaschine.

Installation/Einstellung des Kettenschleuderkopfes

1. Wählen Sie den passenden Kettenschleuderkopf für die herrschenden Bedingungen.

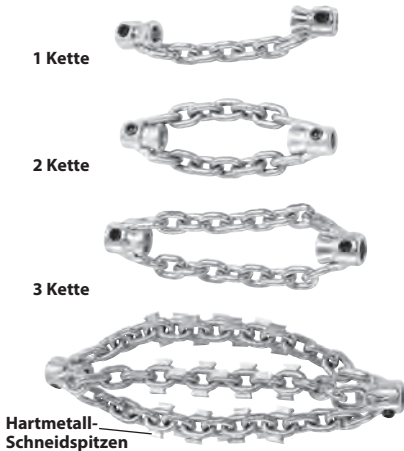


Abbildung 8 – Kettschleuderköpfe

Kettschleuderköpfe haben unterschiedliche Größen für verschiedene Rohrinnendurchmesser und Spirallängen. $\frac{1}{4}$ "-Kettschleuderköpfe werden an $\frac{1}{4}$ "-Spiralen verwendet usw. Verwenden Sie keinen größeren Schleuderkopf an einer kleineren Spirale (z.B. $\frac{5}{16}$ " an $\frac{1}{4}$ "). Siehe *Abbildung 8 und Muffenabstandstabelle*.

Kettschleuderköpfe ohne Hartmetall-Schneidspitzen können in üblichen Rohren eingesetzt werden. Diese Kettschleuderköpfe funktionieren gut bei Schmierfett und ähnlichen Blockaden.

Kettschleuderköpfe mit Hartmetall-Schneidspitzen werden zum Entfernen von Kalkablagerungen von der Rohrinneinnenseite und auch für Wurzeln eingesetzt. Hartmetall-Schneidspitzen reinigen aggressiv und können die Rohre beschädigen, insbesondere bei Rohren aus weichen Materialien (wie Kunststoff und Zellstoff-Teergemisch), Rohren mit dünnen Wandstärken, oder wenn der Kettschleuderkopf längere Zeit an einer Position gehalten wird. Siehe *Abbildung 9, Tabelle zur Auswahl des Kettschleuderkopfes*.

Verwenden Sie Kettschleuderköpfe nicht für die Reinigung von Armaturen oder Rohren aus Glas, Keramik, Porzellan oder ähnlichen Materialien. Diese könnten beschädigt werden.

2. *Abbildung 10* zeigt schematisch den richtigen Einbau und die Einstellung eines Kettschleuderkopfes. Bei der Installation/Einstellung von Kettschleuderköpfen sind zwei wichtige Punkte zu beachten.

Muffenabstand: Stellen Sie den Abstand

der Muffen zueinander ("Muffenabstand") so ein, dass die Ketten beim Drehen ausreichend weit nach außen geschleudert werden, um die Rohrwände zu reinigen. Der Muffenabstand variiert je nach Spirallänge und Rohrdurchmesser und wird in der Regel mit einem Abstandsstück aus Ummantelungsmaterial ("Muffen-Distanzstück") eingestellt. Falls für eine Rohrbiegung zusätzliche Flexibilität benötigt wird, kann das Muffen-Distanzstück abgenommen und der Muffenabstand mit einem Maßband festgelegt werden. Bei Bedienung ohne Muffen-Distanzstück kann sich die Spirale im Betrieb leichter verdrehen und beschädigt werden. **Verwenden Sie Hartmetallschneiden nicht ohne Muffen-Distanzstück, um die Gefahr einer Beschädigung der Spirale zu verringern.**

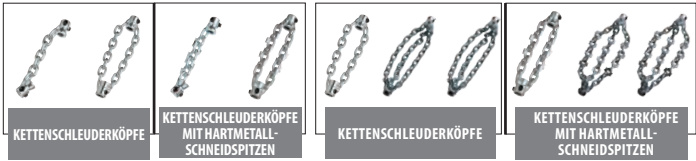
Freiliegende Spirale: Minimieren Sie die ungeschützte (nicht ummantelte) Länge der Spirale. Je größer der freiliegende Teil der Spirale, desto größer die Gefahr des Verdrehens und einer Beschädigung. Die freiliegende Spirale sollte auf $\frac{1}{4}$ " (6 mm) begrenzt sein und wird mit einer aus einer Ummantelung hergestellten Buchse ("Schleuderkopfbuchse") versehen. Die freiliegende Spirale variiert mit der Menge der Spirale, die aus der Trommel herausgeführt wird. Je mehr Spirallänge aus der Trommel herausgeführt wird, desto kleiner ist die freiliegende Spirale. Die freiliegende Spirale muss möglicherweise mit der Spirale außerhalb der Trommel eingestellt werden, um beste Ergebnisse zu erzielen.

Die Ummantelung wird zusammen mit der Rohrreinigungsmaschine geliefert und ist auch als Ersatzteil erhältlich, um die Maschine nach Bedarf für die jeweilige Anwendung zu konfigurieren. Verwenden Sie nur RIDGID FlexShaft Ummantelungsmaterial der richtigen Größe für die Spirale. Die Ummantelung muss immer sauber und gerade abgeschnitten werden. Beschädigen Sie beim Schneiden der Ummantelung nicht die Spirale.

3. Kettschleuderköpfe werden mit Feststellschrauben und dem mitgelieferten 3-mm-Inbusschlüssel an der Spirale befestigt. Lockern Sie die Feststellschrauben und nehmen Sie Kettschleuderkopf, Distanzstück und Buchse von der Spirale ab.
4. Untersuchen Sie das Ende der Ummantelung auf Schäden oder Verschleiß. Das Ende der Ummantelung muss gerade und sauber sein. Falls nötig, kann das Ummantelungsende leicht gestutzt werden.

K9-102+ MASCHINE

K9-204+ MASCHINE



KETTENSCHLEUDERKÖPFE

KETTENSCHLEUDERKÖPFE MIT HARTMETALL-SCHNEIDSPITZEN

KETTENSCHLEUDERKÖPFE

KETTENSCHLEUDERKÖPFE MIT HARTMETALL-SCHNEIDSPITZEN

BEST.-NR.	64293	64298	64283	64288	64323	64328	64333	64308	64313	64318	
BESCHREIBUNG	K9-102+ 1.5"	K9-102+ 2"	K9-102+ 1.5" HARTMETALL	K9-102+ 2" HARTMETALL	K9-204+ 2"	K9-204+ 3"	K9-204+ 4"	K9-204+ 2" HARTMETALL	K9-204+ 3" HARTMETALL	K9-204+ 4" HARTMETALL	
ROHRGRÖSSE	1.25"-1.5" (32-40 mm)	1.5"-2" (40-50 mm)	1.25"-1.5" (32-40 mm)	1.5"-2" (40-50 mm)	2" (50 mm)	3" (75 mm)	4" (100 mm)	2" (50 mm)	3" (75 mm)	4" (100 mm)	
ROHR TYP	KUPFER	✓	✓	✓	✓	✓	✓	✓	✓	✓	
	GALVANISIERT	✓	✓	✓	✓	✓	✓	✓	✓	✓	
	GUSSEISEN	✓	✓	✓	✓	✓	✓	✓	✓	✓	
	PVC	✓	✓			✓	✓	✓			
	ABS	✓	✓			✓	✓	✓			
	ZELLSTOFF-TEERGEMISCH	✓	✓			✓	✓	✓			
	GEWELT	✓	✓			✓	✓	✓			
	TON	✓	✓			✓	✓	✓			
BLOCKADE	SCHMIERFETT	✓	✓	✓	✓	✓	✓	✓	✓	✓	
	WEICHE BLOCKADE	✓	✓	✓	✓	✓	✓	✓	✓	✓	
	KALKABLAGERUNGEN			✓	✓			✓	✓	✓	
	LEICHTE WÜRZELN			✓	✓			✓	✓	✓	
	IM LIEFERUMFANG ENTHALTEN	✓	✓			✓		✓			

Abbildung 9 - Tabelle zur Auswahl des Kettenschleuderkopfes

Maschine	Spiralengröße	Anzahl Ketten	Schleuderkopf		Empfohlener Muffenabstand
			Anzahl Glieder/Kette	Nennrohrgröße	
K9-102+	¼"	1	7	1¼" bis 1½" (32 mm bis 40 mm)	1¾" (44,5 mm)
		2	7	1½" bis 2" (40 bis 50 mm)	
K9-204+	⅝"	2	9	2" (50 mm)	1½" (38,1 mm)
		3	13	3" (75 mm)	4" (101,6 mm)
		3	15	4" (100 mm)	4½" (114,3 mm)

Muffenabstandstabelle

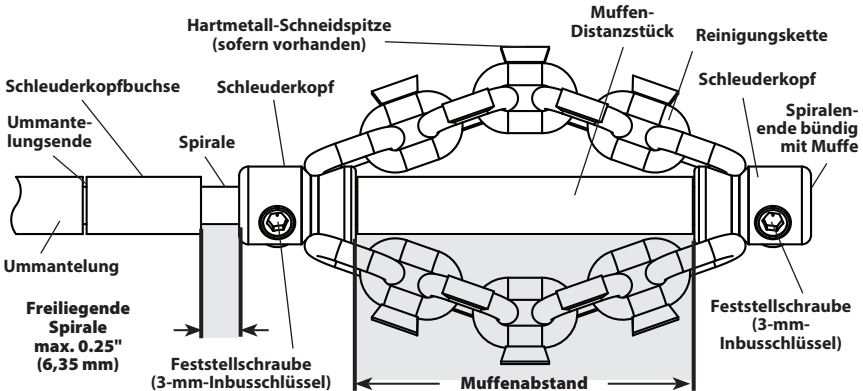


Abbildung 10 – Montage/Einstellung des Kettenschleuderkopfes

- Schneiden Sie falls nötig einen entsprechend langen Abschnitt der Ummantelung als Muffen-Distanzstück ab (siehe Muffenabstandstabelle).
Der Muffenabstand kann nach Bedarf an das jeweilige Rohr/die Anwendung angepasst werden. Je größer der Muffenabstand, desto kleiner der Kettendurchmesser und umgekehrt. Ein falscher Muffenabstand kann die Reinigungswirkung verringern.
- Kettenschleuderkopf, Buchse und Muffen-Distanzstück wie in *Abbildung 10* gezeigt probeweise an der Spirale anbauen. Die Ketten müssen gerade und dürfen nicht verdreht sein. Um einen übermäßigen Verschleiß zu verhindern, muss das Spiralenende bündig am Ende der Muffe abschließen.
- Wenn der Kettenschleuderkopf wie in *Abbildung 10* gezeigt korrekt an der Spirale installiert ist, ziehen Sie die Feststellschrauben mit dem mitgelieferten Inbusschlüssel fest. Setzen Sie die Spitze der Stellschraube gegen die Spirale und ziehen Sie dann 1/8 bis 1/4 Umdrehung (45° bis 90° Grad) weiter an. Sind die Feststellschrauben nicht festgezogen, kann der Kettenschleuderkopf abrutschen und die Spirale beschädigen oder in den Abfluss fallen.

Überprüfen Sie die freiliegende Länge der Spirale. Um das Risiko eines Umkippen und einer Beschädigung der Spirale zu verringern, darf die freiliegende Spirallänge ¼" (6 mm) nicht überschreiten. Bei Bedarf schneiden Sie eine Schleuderkopfbuchse aus einer Ummantelung zu, um die freiliegende Spirale zu begrenzen. **Verwenden Sie immer eine Schleuderkopfummantelung, um den Verschleiß am Ummantelungsende zu reduzieren.**

Überprüfen Sie die freiliegende Länge der Spirale. Um das Risiko eines Umkippen und einer Beschädigung der Spirale zu verringern, darf die freiliegende Spirallänge ¼" (6 mm) nicht überschreiten. Bei Bedarf schneiden Sie eine Schleuderkopfbuchse aus einer Ummantelung zu, um die freiliegende Spirale zu begrenzen. **Verwenden Sie immer eine Schleuderkopfummantelung, um den Verschleiß am Ummantelungsende zu reduzieren.**

Bedienhinweise

⚠ WARNUNG



Tragen Sie bei der Handhabung oder Benutzung immer eine Schutzbrille und intakte Schutzhandschuhe. Tragen Sie Latex- oder Gummihandschuhe, Visier, Schutzkleidung, Atemgeräte oder sonstige geeignete Schutzausrüstung, wenn am Arbeitsort Chemikalien, Bakterien oder andere toxische oder infektiöse Substanzen vorliegen könnten, um die Gefahr von Infektionen, Verbrennungen oder anderen schweren Verletzungen zu mindern.

Bedienen Sie die Maschine nur mit einem Akkubohrer. Die Bedienung mit einem Bohrer mit Kabel erhöht die Gefahr eines Stromschlags.

Lassen Sie den Kettenschleuderkopf/das Spiralenende nicht zum Stillstand kommen, während der Bohrerschalter betätigt wird. Dadurch kann die Spirale überlastet werden, sich verdrehen, abknicken oder brechen, was schwere Verletzungen verursachen kann.

Achten Sie stets auf Sauberkeit. Essen oder rauchen Sie beim Umgang mit dem Gerät nicht. Waschen Sie nach dem Umgang mit Abflussreinigungsgeräten Hände und andere Körperteile, die mit dem Inhalt des Abflusses in Berührung gekommen sind, mit heißem Seifenwasser. Dadurch reduzieren Sie Gesundheitsgefahren aufgrund einer Exposition gegenüber giftigen oder infektiösen Stoffen.

Lassen Sie beim Betrieb der FlexShaft-Maschine immer eine Hand an der Spirale. So können Sie die Spirale besser kontrollieren, ein Verdrehen, Abknicken und Brechen verhindern und die Verletzungsgefahr verringern.

Positionieren Sie den Spiralenaustritt der FlexShaft-Maschine im Abstand von maximal 3' (1 m) zur Abflussöffnung oder stützen Sie die freiliegende Spirale bei einem Abstand über 3' (1 m) ab. Größere Abstände können zu einer schlechteren Kontrolle und dadurch einem Verdrehen, Knicken und Brechen der Spirale führen. Ein Verdrehen, Knicken oder Brechen der Spirale kann Stoß- oder Quetschverletzungen verursachen.

Eine Person muss gleichzeitig Spirale und Akkubohrer bedienen. Verriegeln Sie den Bedienschalter des Bohrers nicht während des Betriebs. Wenn sich die Spirale nicht mehr dreht, den Bohrer-Bedienschalter sofort loslassen, um ein Verdrehen, Abknicken und Brechen der Spirale und Verletzungen zu vermeiden.

Befolgen Sie die Bedienungsanleitung, um die Gefahr von Verletzungen durch eine verdrehte oder gebrochene Spirale, ein schlagendes Spiralenende, Umkippen der Maschine, Verätzungen durch Chemikalien, Infektionen und andere Ursachen zu mindern.

1. Kontrollieren Sie, ob die Maschine und der Arbeitsbereich richtig vorbereitet wurden und der Arbeitsbereich frei von unbeteiligten Personen und anderen Hindernissen ist.
2. Ziehen Sie die Spirale aus der Maschine und führen Sie sie in den Abfluss ein. Mindestens 1' (0,3 m) Spirale müssen sich im Abfluss befinden, damit der Kettenschleuderkopf beim Starten der Maschine nicht aus dem Abfluss rutschen und umherschlagen kann.

Führen Sie die Spirale direkt vom Spiralenaustritt der Maschine in die Abflussöffnung, mit möglichst wenig frei-

liegender Spirale und Richtungswechseln. Biegen Sie die Spirale nicht zu sehr. Dies erhöht die Gefahr von Verdrehen oder Bruch.

Wird die Reinigung mit einer Kamera überwacht, kann diese gleichzeitig eingeführt werden. In der Regel können Spirale und Schubstange der Kamera gleichzeitig festgehalten und vorgeschoben/herausgezogen werden. Halten Sie den Kamerakopf mindestens 1.5' (0,5 m) hinter dem Kettenschleuderkopf.

HINWEIS Lassen Sie den rotierenden Kettenschleuderkopf nicht gegen den Kamerakopf/die Schubstange schlagen. Diese könnten beschädigt werden.

3. Stellen Sie sich so auf, dass Sie Spirale und Bohrer kontrollieren können (siehe Abbildung 11):

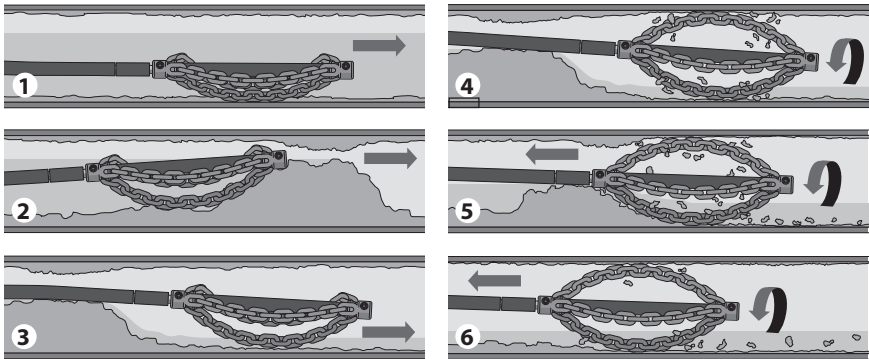
- Seien Sie jederzeit bereit, den Bohrerschalter loszulassen.
- Lassen Sie die behandschuhte Hand an der Spirale, um sie beim Einführen in den Abfluss und Entfernen der Blockade kontrollieren und stützen zu können.
- Achten Sie auf sicheren Stand, so dass Sie sich nicht vorlehnen müssen und nicht auf die Maschine, den Abfluss usw. fallen können. So haben Sie die beste Kontrolle über die Spirale und die FlexShaft-Maschine.



Abbildung 11 – In Betriebsposition

4. Vergewissern Sie sich, dass die Spirale mindestens 1' (0,3 m) in den Abfluss eingeführt ist.

Reinigung mit FlexShaft Abflussreinigungsmaschinen (siehe unten):



1. Kettenschleuderkopf (i.d.R. ohne Drehung) zum zu reinigenden Rohrabchnitt vorschieben.
2. Den Kettenschleuderkopf durch eine eventuelle Blockade drücken.
3. Falls möglich, Wasser durch den Abfluss laufen lassen, um Verschmutzungen und Rückstände aus dem Abfluss zu spülen.
4. Spirale/Kettenschleuderkopf mit voller Geschwindigkeit drehen lassen.
5. Schleuderkopf weiter drehen lassen. Spirale langsam zurückziehen, damit der Kettenschleuderkopf die Blockade aufbrechen kann.
6. Rotierende Spirale weiter herausziehen, so dass der Kettenschleuderkopf die Wand des Abflussrohres reinigt.

Abbildung 12 – Allgemeine Bedienschritte

5. Überprüfen Sie, ob der Bohrer richtig eingestellt ist. Betätigen Sie den Bohrerschalter kurz und achten Sie auf die Drehrichtung des Bohrfutters. Die Richtung sollte dem Pfeil "FOR" (Vorwärts) an der Trommel entsprechen (siehe Abbildung 4). Lassen Sie die Spirale nicht rückwärts rotieren, außer in den ausdrücklich in dieser Anleitung beschriebenen Fällen. Läuft die Spirale rückwärts, kann sie beschädigt werden.
6. Legen Sie eine Hand an die Spirale und die andere an den Griff des Bohrers.
7. Die FlexShaft Abflussreinigungsmaschine reinigt Abflüsse mit hoher Drehzahl und geringem Drehmoment. Die FlexShaft-Spiralen sind flexibler als andere Arten von Rohrreinigungsspiralen. Die FlexShaft-Maschine funktioniert am besten, wenn der Kettenschleuderkopf mit leichtem Druck langsam in die Blockade geschoben wird, während die Spirale herausgezogen wird. **Der Abfluss wird durch die Rotation des Kettenschleuderkopfes gereinigt. Drücken Sie den Schleuderkopf nicht gewaltsam in die Blockade.**
8. Vorschub/Rückzug der Spirale - FlexShaft-Schmierstoff
In manchen Fällen kann es hilfreich sein, beim Einführen der Spirale in den Abfluss

RIDGID FlexShaft-Schmiermittel auf die Außenseite der Ummantelung aufzutragen. Dies erleichtert das Einführen der Spirale in den Abfluss und ermöglicht eine größere Reinigungsstrecke. Halten Sie dazu ein sauberes, mit Schmiermittel benetztes Tuch in der behandschuhten Hand, mit der Sie die Spirale vorschoben, und tragen Sie das Schmiermittel während des Vorschubs auf (Abbildung 13). Tragen Sie nach Bedarf weiteres Schmiermittel auf. Alle 5' (1,5 m) an der Ummantelung sind RIDGID FlexShaft-Markierungen angebracht, als Hinweis, wie viel Spiralenlänge aus der Maschine ausgegeben wurde.

Verwenden Sie nur RIDGID FlexShaft-Schmiermittel. Andere Schmiermittel eignen sich nicht unbedingt für Abflüsse und könnten das Wasser verunreinigen.

Reinigen Sie die Spiralenummantelung beim Zurückziehen und Aufrollen auf die Trommel mit einem Handtuch von Schmutz und Rückständen.

9. Drehen des Kettenschleuderkopfes
Zur Reinigung wird der Kettenschleuderkopf grundsätzlich beim Herausziehen der Spirale aus dem Rohr gedreht.

Drehen Sie die Spirale/den Kettenschleuderkopf nur, wenn der Schleuderkopf mindestens 1' in den Abfluss eingeführt ist. Zum Drehen der Spirale halten Sie den Griff des Bohrers gut fest und betätigen Sie den Bedienschalter. Die Person, die die Spirale bedient, muss auch den Bohrschalter bedienen. Bedienen Sie die Maschine nicht mit zwei Personen (eine Person bedient die Spirale, die andere den Bohrer). Achten Sie darauf, dass die Spirale sich nicht vor dem Abfluss staut, krümmt oder Bögen bildet. Dies kann zum Knicken, Verdrehen und Brechen der Spirale führen. Seien Sie jederzeit bereit, den Bohrschalter loszulassen, um die Spirale anzuhalten. Für ein effizientes Entfernen von Blockaden lassen Sie die Spirale mit voller Geschwindigkeit laufen. **Drücken Sie den Kettenschleuderkopf nicht gewaltsam in die Blockade.** Rohrkrümmungen lassen sich manchmal am besten mit variablen Geschwindigkeiten bewältigen. Kurzzeitiges Drehen des Kettenschleuderkopfes VORWÄRTS oder RÜCKWÄRTS kann die Bewegung durch das Rohr und das Entfernen der Blockade verbessern.



Abbildung 13 – Auftragen von Schmiermittel auf die Spiraleummantelung

10. Führen Sie die Spirale grundsätzlich nicht rotierend in den Abfluss ein. Greifen Sie den Mantel in der Nähe des Austritts aus dem Maschinengehäuse. Ziehen Sie die Spirale 6" bis 12" (150 bis 300 mm) aus der FlexShaft-Maschine heraus, so dass die Spirale leicht gebogen ist. Die behandschuhte Hand muss

dabei die Spirale kontrollieren und stützen. Bei mangelnder Abstützung kann die Spirale abknicken oder sich verdrehen und beschädigt werden oder den Bediener verletzen. Führen Sie die Spirale in den Abfluss ein. (Abbildung 12, Schritt 1).

11. Schieben Sie die Spirale weiter vor, bis Sie auf Widerstand stoßen. Bewegen Sie den Kettenschleuderkopf vorsichtig durch die Blockade. **Drücken Sie nicht gewaltsam auf die Spirale. Wenn sich der Kettenschleuderkopf nicht drehen kann, kann er den Abfluss nicht reinigen.** Achten Sie darauf, wie weit die Spirale sich bewegt hat. Die Spirale nicht zu weit in einen größeren Abfluss führen. Dabei kann die Spirale sich verknoten oder andere Schäden verursachen (Abbildung 12, Schritt 2).
12. Lassen Sie nach Möglichkeit Wasser durch den Abfluss laufen, um Fremdkörper aus der Leitung zu spülen und die Spirale beim Zurückziehen zu reinigen. Dazu kann ein Hahn im System geöffnet werden oder andere Methoden können angewandt werden. Achten Sie auf den Wasserstand, da sich der Abfluss wieder verstopfen könnte (Abbildung 12, Schritt 3).
13. Wenn der Kettenschleuderkopf die Blockade/den zu reinigenden Bereich passiert hat, drücken Sie den Bohrschalter ganz durch, um den Kettenschleuderkopf zu bewegen. Ziehen Sie die Spirale langsam aus dem Abfluss, während der Kettenschleuderkopf die Rohrwand reinigt und die Blockade aufrichtet (Abbildung 12, Schritte 4 & 5). **Hält die Drehung der Spirale an, lassen Sie den Bedienschalter des Bohrers los.** Dadurch kann sich die Spirale verdrehen und abknicken. Lassen Sie den Schalter der Bohrmaschine los, um die Rotation der Spirale zu beenden.

Achten Sie auf die Bewegung der Spirale in Ihrer Hand und das Geräusch des Schleuderkopfes im Abfluss. Wenn die Kupplung der Bohrmaschine ausdrückt, dreht sich die Spirale wahrscheinlich nicht mehr. Siehe *Einstellung der Rutschkupplung im Abschnitt Vorbereiten*. Stellen Sie bei Akkubohrmaschinen die Drehmomenteinstellung nicht in die Stellung "Bohren". Dadurch erhöht sich die Kraft, die auf den Begriff der Bohrmaschine wirkt und die Bohrmaschine könnte sich drehen. Halten Sie den Griff der Bohrmaschine sehr fest, um die Kontrolle aufrecht zu erhalten.

Es kann nötig sein, den Kettenschleuderkopf von der Blockade zu trennen, damit er wieder die volle Drehzahl erreichen kann.

Hängt der Kettenschleuderkopf fest, kann er möglicherweise durch kurzzeitiges Rückwärtsdrehen des Bohrers wieder befreit werden. Lassen Sie den Bohrer nur wenige Sekunden lang rückwärts laufen, um die Spirale nicht zu beschädigen. In manchen Fällen kann die Spirale eventuell zusammen mit der Blockade von Hand aus dem Abfluss gezogen werden. Achten Sie darauf, dabei die Spirale nicht zu beschädigen. Entfernen Sie die Blockade vom Schleuderkopf und der Spirale und fahren Sie wie oben beschrieben mit der Rohreinigung fort.

Bei Verwendung einer Kamera lassen Sie den Kettenschleuderkopf nicht an den Kamerakopf oder die Schubstange stoßen.

In einigen Fällen kann es zur Reinigung der gegenüberliegenden Seite des Rohrs hilfreich sein, den Bohrer für kurze Zeit im Linkslauf zu betreiben.

- Fahren Sie mit der Reinigung des Abflusses fort, während Sie die Spirale herausziehen. Sobald der Abfluss frei ist, ziehen Sie die Spirale ein und wickeln Sie sie in der Abflussreinigungsmaschine auf. Vorsicht, da die Spirale sich beim Herausziehen in einer Blockade verklemmen kann (Abbildung 12, Schritt 6).
- Beobachten Sie beim Herausziehen der Spirale Ihre Markierungen an der Ummantelung. Lassen Sie den Bohrschalter los, wenn der Kettenschleuderkopf kurz vor der Abflussöffnung steht. Ziehen Sie den Kettenschleuderkopf nicht aus dem Abfluss, während er sich noch dreht. Der peitschende Kettenschleuderkopf könnte schwere Verletzungen verursachen.
- Falls nötig kann der obige Ablauf wiederholt werden, um den Abfluss vollständig zu reinigen.
- Ziehen Sie die verbleibende Spirale von Hand aus der Leitung und schieben Sie sie in die Trommel. Bereiten Sie die Maschine auf den Transport vor.

Entleeren der Trommel

Falls erforderlich, kann die Abflussreinigungsmaschine umgedreht werden, um Flüssigkeit aus dem Gehäuse ablaufen zu lassen (Position der Abflussöffnung siehe Abbildung 1).

Transport

Wickeln Sie die Spirale vollständig auf die Trommel auf und sichern Sie den Kettenschleuderkopf am Haken. Nehmen Sie den Bohrer von der Bohrerwelle ab. Lassen Sie den Bohrer nicht während des Transports an der Maschine, damit sie nicht umkippen und beschädigt werden kann. (Siehe Abbildung 1).

Aufbewahrung

⚠️ WARNUNG Die Abflussreinigungsmaschine muss trocken in Innenräumen bzw. in Außenbereichen gut abgedeckt aufbewahrt werden. Lagern Sie die Maschine in einem abgeschlossenen Bereich außer Reichweite von Kindern und Personen, die mit Abflussreinigungsmaschinen nicht vertraut sind. Wenn diese Maschine in die Hände von nicht geschulten Benutzern gelangt, kann sie schwere Verletzungen verursachen.

Wartungsanweisungen

⚠️ WARNUNG

Die Bohrmaschine sollte von der Rohrreinigungsmaschine entfernt werden, bevor Wartungsarbeiten durchgeführt werden.

Tragen Sie bei allen Wartungsarbeiten grundsätzlich eine Schutzbrille und sonstige angemessene Schutzausrüstung.

Reinigung

Die Spiralenummantelung sollte beim Zurückziehen und Aufrollen auf die Trommel mit einem Handtuch von Schmutz und Rückständen gereinigt werden. So bleibt die Trommel sauber und die Wahrscheinlichkeit verringert sich, dass die Spirale in der Trommel festhängt. Falls nötig, kann zum Spülen/Reinigen die Spirale aus der Maschine gezogen und das Gehäuse geöffnet werden.

Reinigen Sie die Maschine bei Bedarf mit heißer Seifenlösung und/oder einem milden Desinfektionsmittel. Entleeren Sie die Maschine nach Bedarf.

Schmierung

Die FlexShaft-Abflussreinigungsmaschinen sind ab Werk dauergeschmiert.

Austausch der Spirale

- Ziehen Sie die gesamte Spirale aus dem Gehäuse.
- Öffnen Sie mit dem beiliegenden Sechskantschlüssel (oder einem ähnlichen Werkzeug) den Verschluss unter dem

Tragegriff (Abbildung 14). Öffnen Sie die übrigen Verschlüsse, mit denen das Gehäuse geschlossen gehalten wird.



Abbildung 14 – Verschluss unter dem Tragegriff öffnen (mit Sechskantschlüssel)

3. Gehäuse öffnen (Abbildung 15).

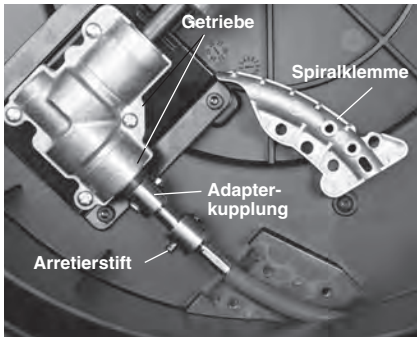


Abbildung 15 – Geöffnetes Gehäuse der Abflussreinigungsmaschine

4. Befestigungen Spiralklemme, Spiralklemme entfernen (Abbildungen 15/16).
5. Kugelarretierstift von der Spiralkupplung entfernen
6. Spiralkupplung von der Adapterkupplung entfernen und Spirale heraus nehmen.
7. Bauen Sie die Maschine in umgekehrter Reihenfolge wieder zusammen und schrauben Sie alle Befestigungen wieder fest. Sicherstellen, dass die Hülle bis zum Ende des Sichtfensters in der Spiralklemme reicht (siehe Abbildung 16).

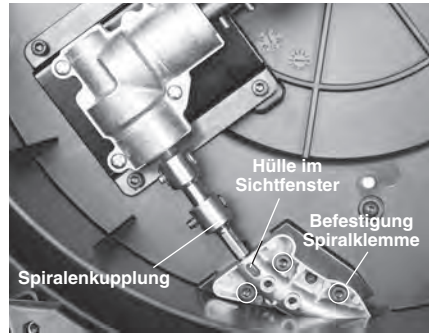


Abbildung 16 – Wechseln der Spirale

Fehlerbehebung

SYMPTOM	MÖGLICHE URSACHE	LÖSUNG
Spirale geknickt oder gebrochen.	Spirale wird gewaltsam bewegt.	Spirale nicht gewaltsam bewegen. Bedienhinweise beachten.
	Falsche FlexShaft-Maschine oder falscher Kettenschleuderkopf für den Rohrdurchmesser verwendet.	Die richtige FlexShaft-Maschine oder den richtigen Kettenschleuderkopf für den jeweiligen Rohrdurchmesser wählen.
	Bohrer läuft rückwärts.	Nur rückwärts laufen lassen, wenn sich die Flexwelle im Rohr verfängt.
	Spirale Säure ausgesetzt/korrodiert.	Spirale regelmäßig reinigen.
	Spirale/Ummantelung verschlissen.	Spirale bei Verschleiß ersetzen.
	Spirale nicht richtig abgestützt.	Spirale korrekt abstützen (siehe Anweisungen).
	Kettenschleuderkopf nicht ordnungsgemäß angebracht/ eingestell.	Kettenschleuderkopf ordnungsgemäß anbringen/einrichten (siehe Anweisungen).
FlexShaft-Maschine wackelt oder bewegt sich beim Reinigen des Abflusses.	Falscher Bohrer oder Bohrereinstellungen.	Richtigen Bohrer und passende Einstellungen verwenden (siehe Anweisungen).
	Boden nicht eben.	Auf ebener, stabiler Fläche platzieren.

Wartung und Reparatur

⚠️ WARNUNG

Die Betriebssicherheit des Geräts kann durch unsachgemäße Wartung oder Reparatur beeinträchtigt werden.

In den *Wartungsanweisungen* sind die meisten der Wartungsschritte für diese Maschine beschrieben. Alle Probleme, die in diesem Abschnitt nicht erwähnt sind, sollten nur von einer unabhängigen RIDGID-Vertragswerkstatt behoben werden. Verwenden Sie ausschließlich RIDGID Serviceteile.

Informationen zu Ihrer nächstgelegenen RIDGID-Vertragswerkstatt oder Antworten auf Service- und Reparaturfragen finden Sie im Abschnitt *Kontaktinformationen* dieses Handbuchs.

Optionale Ausstattung

⚠️ WARNUNG

Zur Vermeidung schwerer Verletzungen verwenden Sie nur speziell für die RIDGID FlexShaft Abflussreinigungsmaschine entwickelte und empfohlene Zubehörteile wie die hier aufgeführten.

Best.-Nr.	Beschreibung
64283	Schleuderkopf, ¼" Spirale, 1½"-2"-Rohre, eine Kette, Hartmetallspitze
64288	Schleuderkopf, ¼" Spirale, 2"-Rohre, 2 Ketten, Hartmetallspitze
64293	Schleuderkopf, ¼" Spirale, 1½"-2" Rohr, eine Kette
64298	Schleuderkopf, ¼" Spirale, 2" Rohr, 2 Ketten
64308	Schleuderkopf, ¾" Spirale, 2"-Rohre, 2 Ketten, Hartmetallspitze
64313	Schleuderkopf, ¾" Spirale, 3"-Rohre, 3 Ketten, Hartmetallspitze
64318	Schleuderkopf, ¾" Spirale, 4"-Rohre, 3 Ketten, Hartmetallspitze
64323	Schleuderkopf, ¾" Spirale, 2" Rohr, 2 Ketten
64328	Schleuderkopf, ¾" Spirale, 3" Rohr, 3 Ketten
64333	Schleuderkopf, ¾" Spirale, 4" Rohr, 3 Ketten
64338	FlexShaft Schmiermittel, 8 oz, 12 pro Packung
64343	¼" Baugruppe, Spirale, Ummantelung, Kupplungen, 50'
64348	¾" Baugruppe, Spirale, Ummantelung, Kupplungen, 70'
64363	1¼" RIDGID Wandrohr-Zubehörteil
64368	1½" RIDGID Wandrohr-Zubehörteil

Eine vollständige Liste der für diese Werkzeuge verfügbaren RIDGID-Ausrüstung finden Sie im Ridge Tool Katalog online unter RIDGID.com oder in den *Kontaktinformationen*.

Entsorgung

Teile dieses Gerätes enthalten wertvolle Materialien und können recycelt werden. Hierfür gibt es auf Recycling spezialisierte Betriebe, die u. U. auch örtlich ansässig sind. Entsorgen Sie die Teile entsprechend den örtlich geltenden Bestimmungen. Weitere Informationen erhalten Sie bei der örtlichen Abfallwirtschaftsbehörde.

モデル K9-102+ & K9-204+ FlexShaft™ 排水管清掃機



⚠ 警告！

本機器を使用する前に取扱説明書をよくお読みください。取扱説明書の内容を正しく理解せずに使用すると、感電や火災、大けがを負う場合があります。

RIDGID®

目次

安全に関する記号表示.....	81
一般的な安全規則	
作業区域に関する安全事項.....	81
電気に関する安全事項.....	81
作業者に関する安全.....	81
工具の使用と手入れ.....	82
保守点検.....	82
本機の安全に関する情報.....	82
FlexShaft 排水管清掃機の安全.....	82
リッジ連絡先情報.....	83
概要.....	83
仕様.....	84
仕様 - 使用可能なバッテリー電源ドリル.....	84
標準装備.....	84
運転前検査.....	84
清掃機と作業区域のセットアップ.....	85
電池式ドリルのセットアップと操作.....	86
ドリルスイッチ.....	86
ドリル速度.....	87
ドリルの調整クラッチの設定.....	87
チェーンノッカーの取り付けと調整.....	88
操作説明.....	92
ドラムの排水.....	96
搬送.....	96
保管.....	96
保守に関する注意事項.....	96
手入れ.....	96
注油.....	96
ケーブルアセンブリの交換.....	96
トラブルシューティング.....	97
保守と修理.....	97
オプション機器.....	97
廃棄.....	98
EC 適合宣言.....	裏表紙の内側
製品寿命期間保証.....	裏表紙
*取扱説明書原本 (英語)	

安全記号

この取扱説明書および製品では、安全に関する重要な情報を伝えるための記号や表示が使用されています。このセクションではこれらの記号と表示の意味を解説します。



この記号は、安全に関する警告記号です。けがを負う危険があることを警告しています。けがや死亡につながる危険を避けるため、この記号を伴った安全注意事項すべてに従ってください。

▲危険

「危険」は、適切な対応を取らない場合に、死亡や大けがにつながる危険な状況を示しています。

▲警告

「警告」は、適切な対応を取らない場合に、死亡または大けがにつながる可能性のある危険な状況を示しています。

▲注意

「注意」は、適切な対応を取らない場合に、軽度または中度のけがにつながる可能性のある危険な状況を示しています。

注

この表示は、機器の保全に関する情報を示しています。



この記号は、本機器を使用する前に取扱説明書をよくお読みいただく必要があることを示します。取扱説明書には、機器を安全かつ適切に操作するための重要な情報が記載されています。



この記号は、機器の取り扱い時や使用時に、目のけがの危険を低減するため、側面シールド付きの安全めがねまたはゴーグルの常時装着が必要であることを示します。



この記号は、排水管清掃機の FlexShaft に、手、指、または他の身体部分が挟まれる、巻き込まれる、または潰される危険があることを示しています。



この記号は感電の危険があることを示しています。



この記号は、指などの身体の一部がチェーンノッカーに挟まれる、巻き込まれる、または潰される危険があることを示しています。ケーブルの端を排水管の外側に工具を操作しないでください。



この記号は、機器の取り扱い時や使用時に、排水管の内容物による感染、やけど、その他の重大なけがの危険性を減らすために常時手袋を着用する必要があることを示します。

一般的な安全規則

▲警告

すべての警告と指示を読んで理解してください。これらを守らないと、感電、火災、重傷事故の危険があります。

説明書はすべて大切に保管しておいてください。

作業区域に関する安全事項

- 作業区域は清潔を保ち、適切な照明を心がけてください。散らかった場所や暗い場所での作業は事故につながる恐れがあります。
- 可燃性の液体、気体、粉じんなど、爆発性雰囲気が存在する場所では工具を操作しないでください。工具から火花が飛散し、粉じんや揮発性ガスに引火する恐れがあります。
- 工具の使用中は、子供や関係のない人を作業場へ近づけないでください。作業中に注意が乱されると、操作のコントロールを失うおそれがあります。
- 床は乾燥した状態を保ち、油などの滑りやすいものがないようにしてください。床が滑りやすいと事故の原因となります。

電気に関する安全事項

- パイプ、ラジエーター、電子レンジ、冷蔵庫などの接地面やアース面に身体が触れないようにしてください。身体が触れると感電の危険が大きくなります。
- 電動工具を雨や水、湿気に晒さないでください。電動工具に水が浸入すると、感電の危険が大きくなります。
- やむを得ず湿気のある場所で電動工具を使用する場合は、漏電回路遮断器 (GFCI) で保護された電源を使用してください。GFCI を使用することで、感電の危険を軽減できます。

作業者の安全に関する注意事項

- 工具を使用の際には、油断せずに十分注意し、常識をもった作業をおこなってください。疲れている場合、薬物、医薬品服用およびアルコール飲用による影響下にある場合には工具を使用しないでください。工具使用中の一瞬の不注意が大けがの原因となることがあります。
- 個人用保護具を使用してください。常に安全メガネを着用してください。けがを防止するため、作業条件に応じた防塵マスク、滑り止

め付き安全靴、ヘルメット、耳栓などの個人用保護具を着用してください。

- 腕を伸ばしすぎないようにしてください。常に足元をしっかりさせ、バランスを保ってください。適切な足場とバランスにより、予期しない状況でも本機をうまく制御することができます。

工具の使用と手入れ

- 工具に力を加えないでください。用途に合った工具を使用してください。正しい工具を使用することにより、設計された速度で、より円滑に、より安全に仕事をこなすことができます。
- 使用していない工具は、小児の手の届かない場所に保管してください。工具やその操作手順に不慣れな人には、操作をさせないでください。適切な訓練を受けていない人が工具を操作することは危険を伴います。
- 工具の保守を怠らないでください。可動部のスレまたは固着、部品の損傷およびその他、工具の稼働に影響を及ぼす状態がないかを確認してください。工具を再度ご使用になる前に、損傷部分の修理を依頼してください。多くの事故は工具の点検保守が不十分なために発生します。
- ハンドルは乾燥した清潔な状態を保ち、油やグリスなどが付着しないようにしてください。これによって工具をコントロールしやすくなります。

保守点検

- 工具の整備は、資格を持つ修理担当者が使用部品と同一の交換部品のみを使用して実施してください。これにより、工具の安全性を確実に維持できます。

本機に関する安全情報

▲警告

この項には、本工具固有の安全上の重要事項が記載されています。

感電またはその他の大けがの危険を低減するため、FlexShaft™ (フレックスシャフト) 排水管清掃機を使用する前に、以下の注意事項を注意してお読みください。

警告表示と取扱説明書はすべて、今後の参考のために必ず保管してください！

本取扱説明書は、作業員が使用時に参照できるように、本機と一緒に保管してください。

FlexShaft 排水管清掃機の安全

- 取り扱い中または使用中は、安全メガネと手袋を常にきれいに使用してください。化学薬品、バクテリアまたは他の有毒または感染性の物質が感染、火傷または他の重大な人身事故の危険を減らすために、それらが存在すると疑いがあるときは、ラテックスまたはゴム手袋、顔面シールド、防護服、人工呼吸器または他の適切な保護装置を装着してください。
- コード付きドリルと一緒に使用しないでください。コード付きドリルで作業すると、感電やその他のけがをする危険性が高まります。
- ドリルスイッチを押している間は、チェーンノッカー/ケーブルの端が回転を停止しないようにしてください。ケーブルアセンブリに必要以上の応力が掛かることになり、ケーブルのねじれ、よじれまたは破損が生じ、大けがを負う場合があります。
- 衛生面での正しい実践を心がけてください。本機を取り扱っているときや、操作中に、喫煙や飲食を行わないでください。排水管清掃機の取り扱い後または操作後には、石鹸を含んだ温水を使用し、排水管の内容物に触れた両手と他の体の部分を洗浄してください。この措置は、毒物や感染性物質に触れたことによる健康危害の危険を軽減するために役立ちます。
- 推奨排水管サイズに合った FlexShaft 排水管清掃機のみを使用してください。適合しないサイズの排水管清掃機を使用すると、ケーブルのねじれ、よじれ、破損の原因となる場合があり、負傷する恐れがあります。
- FlexShaft 機械が動作しているときはいつでもケーブルアセンブリを手に持ってください。このようにすると、ケーブルを制御しやすくなり、ケーブルのねじれ、よじれまたは破損の発生防止に役立ち、けがの危険性を減らします。
- ケーブルの引出口から管の入口までの距離を3' (1 m) 以内にするか、それ以上 離れる場合は、露出しているケーブルアセンブリをしっかりと支えるようにしてください。距離が大きくなると制御の上で問題が生じる可能性があり、ケーブルのねじれ、よじれ、または破損の原因となります。ケーブルのねじれやよじれ、破損が起きた場合、打撲や圧挫損傷を被る恐れがあります。
- 一人でケーブルアセンブリとコードレスドリルの両方を制御する必要があります。操作中にドリルスイッチをオンの位置にロックしないでください。ケーブルの回転が止まってしまった場合、すぐにドリルスイッチを放して停止させ、ケーブルのねじれ、よじれ、破損を防ぎ、身体への損傷のリスクを軽減してください。

- ゆるい衣服やアクセサリーは身に付けしないでください。髪はまとめ、可動部に衣服が巻き込まれないようにしてください。ゆるい衣服やアクセサリー、髪が可動部に巻き込まれる可能性があります。
- 作業員が水中にいる場合または本機が水中にある場合は、本機を操作しないでください。本機を水中で操作した場合、感電のリスクが高くなります。
- 運転中に他の埋設管（天然ガスや電気など）と接触する危険性がある場合は使用しないでください。カメラによる排水管の目視検査をお勧めします。クロスボア、不適切に設置された埋設管、損傷したドレンにより、カッタが埋設管に接触して損傷を与える可能性があります。感電、ガス漏れ、火災、爆発、またはその他の重大な損害またはけがを引き起こす可能性があります。
- 操作の前に、これらの指示、バッテリードリルの指示、およびこのツールで使用される他の装置の指示を読んで理解してください。すべての指示に従わないと、物的損害および/または重傷を負う可能性があります。

ます。標準チェーンノッカーはグリースを含む一般的な汚れに使用可能です。FlexShaft（フレックスシャフト）排水管清掃機は、排水管洗浄プロセス中に検査カメラと一緒に使用するのに非常に適しています。

FlexShaft 機械は、搬送を容易にするために軽量かつコンパクトである。



図 1A – RIDGID® FlexShaft（フレックスシャフト）排水管清掃機

リッジ連絡先情報

この RIDGID® 製品に関してご質問がある場合は、以下にお問い合わせください。

- 最寄りの RIDGID 取扱店に連絡してください。
- 最寄りの RIDGID のお問い合わせ先については、RIDGID.com をご覧ください。
- メールアドレス: RIDGID-CS@emerson.com.jp TEL: (03) 5769 6953 FAX: (03) 4496-4286 (祝祭日を除く月曜日から金曜日 9:30~17:00) ホームページ: <http://www.ridgid.jp>

概要

RIDGID® モデル K9-102+ および K9-204+ FlexShaft™ 排水管清掃機は、仕様に記載されているように、管と排水管路を清掃しスケール除去するように設計されています。

FlexShaft の電源は、充電式電動ドリルを使用します。（電動ドリルは付属していませんので、別途ご用意ください。）FlexShaft 排水管清掃機のケーブルアセンブリは手で排水口に出し入れます。パイプの内径まで広がるチェーンノッカーを使用して、詰まりを解消し、パイプの壁面まで清掃可能です。超硬カッティングチップ付きのチェーンノッカーは、工具での使用やスケールのパイプ壁の清掃に使用でき

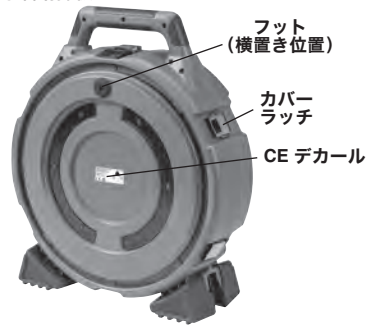


図 1B – RIDGID® FlexShaft（フレックスシャフト）排水管清掃機

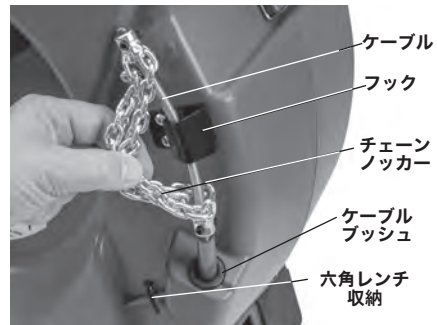


図 1C – ケーブルエンド/チェーンノッカー

仕様

Model	K9-102+	K9-204+
排水管径 (公称)	1/4" ~ 2" (32 ~ 50 mm)	2" ~ 4" (50 ~ 100 mm)
ケーブル径 (シースなし)	1/4" (6 mm)	3/16" (8mm)
ケーブルアセンブリ径 (シースあり)	3/8" (9.5 mm)	1/2" (12.7 mm)
ケーブルアセンブリ長	50' (15.2 m)	70' (21.3 m)
回転速度	最大 2500 RPM	最大 2500 RPM
ドリルアタッチメント	3/16" Hex (8 mm)	3/16" Hex (8 mm)
重量 (ドリルノッカーなし)	24.3 lbs. (11.0 kg)	37.3 lbs. (16.9 kg)
寸法 (ドリルなし)	19.2" x 7.5" x 22.1" (488 mm x 191 mm x 562 mm)	21.1" x 10.8" x 24.2" (536 mm x 274 mm x 615 mm)
動作温度	20°F ~ 140°F (-6°C ~ 60°C)	20°F ~ 140°F (-6°C ~ 60°C)

ガラス、セラミック、磁器、または同様の器具を FlexShaft (フレックスシャフト) 排水管清掃機で清掃することは、器具を損傷する可能性があるためお勧めできません。

仕様 - 使用可能な充電式電源ドリル

回転速度 1800 ~ 2500 RPM

チャックサイズ 3/8" 以上

クラッチトルク 調整機能付き

スイッチタイプ 瞬時接触

スイッチロック 装備なし

ドリルは該当の市場に対応する適切な認証マーク (CE マーク、c/us マークなど) が付いていなければなりません。

コード付きドリル、ハンマードリル、インパクトドライバは絶対に使用しないでください。 不適切なドリルを使用すると、機器の損傷や人体への傷害の危険性が高まります。「充電式ドリルのセットアップと操作」のセクションを参照してください。

標準装備

それぞれのカタログ番号での標準付属品については、RIDGIDカタログを参照してください。

注 本機は排水管の清掃用です。適切に使用すれば、良好な状態できちんと設計、配管、維持されている排水管を損傷することはありません。排水管の状態が良くなかったり、設計、製造、保守に問題がある場合は、排水管の清掃効果が得られない、または排水管を損傷することがあります。清掃を開始する前に排水管の状態を判定する最良の方法は、カメラを使用して目視検査を行うことです。この排水管清掃機を不適切に使用すると、排水管清掃機と排水管を損傷する恐れがあります。本機の使用ですべての詰まりを除去できない場合もあります。

使用前の点検

警告



感電、ケーブルのねじれや破損、化学薬品による火傷、感染症、その他の原因による大けがを負う危険を低減し、かつ排水管清掃機の損傷を防止するため、毎回の使用前に排水管清掃機を点検し、問題が見つかった場合は対処してください。

排水管清掃機の点検を行うときは、常に安全眼鏡、その他の適切な防護機器を使用してください。

1. 機械を清掃します (ハンドルや制御部を含む)。これにより、点検手順がスムーズになり、手元から本体や制御部が滑り落ちるのを予防できます。保守に関する注意事項に従って機械の清掃、保守を行ってください。
2. 以下の点に関して機械を点検してください：
 - 組み付け、成形は適切であるか。
 - 破損、磨耗、不足している部品、調整されていない部品や動きにくい部品がないか。
 - 警告ラベルが貼られており、読みやすいか (図2 参照)。



図2 - 警告ラベル

- ケーブルアセンブリを送り戻す際に、自由に円滑に動かす。

- 安全性や正常性を妨げる条件が他にないか。
- 問題が見つかった場合には、問題箇所の修理が完了するまでその排水管清掃機は使用しないでください。
3. ケーブルアセンブリとチェーンノッカーからゴミを取り除きます。シースに磨耗と損傷がないか点検します。切り傷、折れ曲がり、破損、過度の磨耗はあってはなりません。チェーンノッカー付近のケーブルを点検します。ケーブルアセンブリは曲げたり変形したりしないでください。ケーブルの撚り線は分離することなく互いに密着している必要があります。損傷がないか、超硬チップが欠損していないか（している場合）、チェーンが磨耗していないかを確認してください。チェーンリングが 1/4 以上の磨耗または損傷している場合は、チェーンノッカーを交換してください。排水管清掃機を使用する前に、磨耗し損傷した機器を交換してください。

チェーンノッカーが正しく設定され、ケーブルにしっかりと固定されていることを確認してください。

4. 指示に従って、充電式ドリルを点検してください。ドリルが良好な動作状態にあり、スイッチがドリル動作を制御していることを確認してください。ドリルが仕様セクションの要件を満たしており、機械でできるように正しく設定されていることを確認してください。
5. 使用している他の機器においても、取扱説明書に従って点検と保守を行い、正常に機能していることを確認します。

清掃機と作業区域のセットアップ

警告



感電、火災、機械の傾き、ケーブルのねじれや破損、化学薬品による火傷、感染症、その他の原因によるけがを負う危険を低減し、かつ機械の損傷を防止するため、以下の手順に従って、排水管清掃機と使用区域をセットアップしてください。

排水管清掃機のセットアップを行うときは、常に安全眼鏡およびその他の適切な防護機器を使用してください。

1. 適切な作業区域を確認してください。水平で安定した乾燥した場所で操作してください。水中に立った状態では排水管清掃機を使用しないでください。
2. 清掃する排水管を点検します。可能な場合は、排水管へのアクセスポイント、排水管のサイズと長さ、管材質、主配管までの距離、詰まりの性質、排水管清掃用化学薬品またはその他の化学薬品の存在の有無などを特定してください。

排水管に化学薬品が存在する場合は、それらの化学薬品を含む環境で作業する上で必要な特定の安全措置について理解することが重要となります。必要な情報については、該当する化学薬品メーカーにお問い合わせください。損傷の危険性を軽減するために、排水口または区域に他の埋設管が存在しないことを確認してください。カメラによる排水管の目視検査をお勧めします。

必要に応じて、排水管へのアクセスを可能にするために設備機器（水洗便器等）を取り外します。チェーンノッカーを設備機器内で使用しないでください。FlexShaft 清掃機または設備機器を損傷する可能性があります。

排水管の洗浄中に管内に水が流れていると、堆積物が洗い流されるために最良の排水管洗浄結果が得られます。1 1/4" および 1 1/2" シンク排水口の場合は、これを可能にするために壁パイプを切り取ることが可能です。設置については 図3 を参照してください。排水管から堆積物があふれ出る可能性があるので、容器等を下に設置してください。

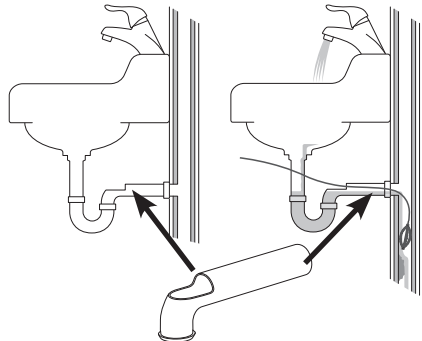


図 3 - 壁パイプの設置

3. 用途に合った適切な機器を選定します。仕様を参照してください。その他の用途向けの排水管清掃機は、Ridge Tool のカタログ (RIDGID.com でオンライン公開中) でご確認いただけます。
4. 機器がすべて適切に点検されていることを確認します。

5. 必要な場合には作業場所を保護カバーで覆います。排水管清掃の作業では周辺が汚れる可能性があります。
6. ドリルシャフトを垂直にして、排水管清掃機を地面に置きます。機器本体はしっかりと地面に着けてください。ドリルシャフトを水平にして操作しないでください。垂直にして使用すると、機器が転倒する恐れがあります。
7. バッテリーをドリルから取り外します。ドリルを適切にセットアップします。
 (「電池式ドリルのセットアップと操作」のセクションを参照してください。) ドリルチャックをドリルシャフトの六角形の部分に確実に取り付けます (図4)。

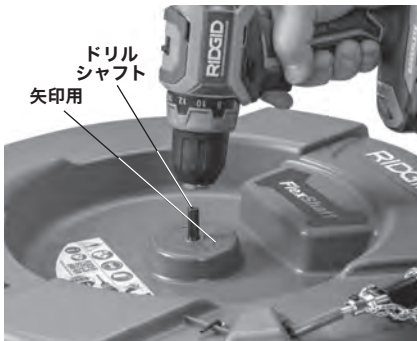


図4-ドリルシャフトにドリルを取り付ける



図5-機械のケーブル引出口から管入口までの距離を3'フィート以内に延長した例

8. ケーブル排出口が排水口から3' (1 m) 以内になるように排水口清掃機を置きます。排水管までの距離が大きいと、ケーブルアセンブリがねじれる、またはよじれる危険性が高まります。FlexShaft 機械を排水口から3' (1 m) 以内にケーブルの差し込み口に配置

できない場合は、同じサイズのパイプと付属品を使用して排水口を延長します(図5を参照)。ケーブルを正しく保持しないと、ケーブルによじれやねじれが生じて、ケーブルが損傷したり、作業者がけがを負う可能性があります。排水管を排水管清掃機まで延ばすと、ケーブルアセンブリを排水管に挿入しやすくなります。

9. チェーンノッカーをフックから外し、ケーブルアセンブリを約4' (1.2 m) 引き出します。
10. チェーンノッカーが引き抜かれたときに排水管開口部に近づいていることを示すためにシースに印を付けます。これはテープで行うことができます。これにより、チェーンノッカーが排水管から出て急に動き回る危険性が減少します。距離は排水管の形状によって異なりますが、チェーンノッカーから少なくとも4' (1.2 m) 離れている必要があります。
11. チェーンノッカーが正しく取り付けられていることを確認します (チェーンノッカーの取り付け調整を参照)。
12. チェーンノッカーの端を少なくとも1' (0.3 m) ドレンに挿入します。
13. 作業区域を確認し、作業者以外の人を排水管清掃機と作業区域に近づけないようにするための防護処置が必要と判断します。排水管清掃機の作業工程中に乱雑な状態が生じる可能性があると共に、作業者以外の人には作業の妨害になる場合があります。
14. 簡単にアクセスできる位置にスイッチを配置します。ケーブルアセンブリとドリルスイッチを握って制御できる必要があります。
15. 乾いた手でバッテリーをドリルに挿入します。

充電式ドリルのセットアップと操作

FlexShaft 排水管清掃機との併用が可能な充電式ドリルの情報については、本セクションならびに「仕様」セクションを参照してください。充電式ドリルには多くの種類がありますが、中には FlexShaft 排水管清掃機との併用に適さないものがあります。ドリルがこの用途に適するかどうか疑われる場合は、使用しないでください。排水管清掃機の調整、または排水管清掃機への付属部品の取り付けや取り外しを行う前に、必ずバッテリーをドリルから取り外してください。

ドリルスイッチ

ドリルはスイッチロックなしの瞬時接触スイッチを備えていなければなりません。これは、ドリルがオンになるのは操作者がドリルスイッチ

を押している間のみであることを意味します。ドリススイッチから指を放すと、ドリルはオフになります。ドリルを「FOR (順方向)」の回転に設定します (図4 参照)。

ドリル速度

FlexShaft 排水管清掃機は 1800 ~ 2500 rpm の範囲の回転速度で使用する必要があります。ドリルの回転数を 2500rpm 付近にて使用した場合に、清掃効率が最も良くなります。お使いになる充電式ドリルの仕様ならびに、回転数の調整方法をご確認いただき、最適な設定を行ってください。一般的な充電式ドリルは、速度の調整機能を備えており、多くの機種で、最速付近の回転数が FlexShaft の操作には適しています。ドリル速度の設定例については図6を参照してください。2500 rpm を超える速度で FlexShaft 排水管清掃機を使用しないでください。

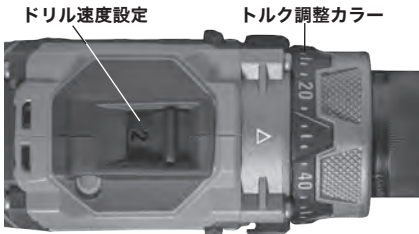
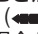


図6-ドリルの設定

ドリルの調整可能型クラッチの設定

充電式ドリルは、必ずトルク調整可能で、クラッチ機構を備えた種類のを適切な設定で使用してください。これにより排水管清掃機のドラム内でケーブル破損が起こるリスクを減らし、ハンドルにかかる力を少なくすることができます。

大抵の場合、調整可能型クラッチを備える電池式ドリルにはトルク調整カラーが付いています (図6)。カラーには番号 (1 から始まり、クラッチ解放までのトルクの上昇を表す番号) 付きの目盛が付いています。調整可能型クラッチはドライバーとしてネジを締める際に機能することが多く、セレクターを「ネジ締めモード」() に設定しないとクラッチが機能しない場合があります。調整可能型クラッチが解放された場合、モーターは回り続けますが、ドリルチャックは作動を停止します。この場合、ドリルからの振動や騒音が伴います。




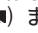
また、電池式ドリルは多くの場合、「ドリル」() と「ハンマー」() の作動モードを備えています (図7)。これらのモードになっていると、調整可能型クラッチは作動しません。これらのモードは FlexShaft 排水管清掃機の操作では絶対に使用しないでください。



図7-適切なモードを選ぶ

FlexShaft 排水管清掃機は必ず、調整可能型クラッチをクラッチ調整可能範囲全体の約 25% に設定した状態で操作を開始します (例-ドリルのトルク調整カラーの目盛が 1 ~ 20 の範囲である場合なら、最初は 5 に設定します)。

この指示に従って排水管清掃機を操作します。詰まりを解消するときは、最大の成果を得られるようドリルを全速力で作動させてください。詰まった部分にチェーンノッカーを無理に押し込まないでください。チェーンノッカーが、詰まりによって回転できない場合、排水管の清掃をすることができません。その場合、チェーンノッカーの回転を適正に保てるよう、詰まりの部分からチェーンノッカーを引き戻す必要があります。操作中にドリルクラッチが何度も解放される (「クラッチが外れる」) 場合には、ドリルの回転を止めて、ケーブルを排水管から抜去します。排水管清掃機のセットアップと作動を点検し、不備がないことを確認します-適切に作動させるには、チェーンノッカーの正しい選択 (詳細は図9を参照) および調整が特に重要です。必要に応じて設定や調整を行い、排水管の清掃を続けます。

ドリルクラッチが操作中に引き続き解放される場合には、ドリルの調整可能型クラッチの設定を上げます。ドリルクラッチは、クラッチ調整範囲全体の 75% まで徐々に上げることができます。(例-ドリルのトルク調整カラーの目盛が 1 ~ 20 の範囲である場合、15 までに設定できます) クラッチ調整範囲全体の 75% を超える設定にはしないでください。決して「ドリル」() または「ハンマー」() のモードにしないでください。これらのモードにすると調整可能型クラッチが無効となり、排水管清掃機のドラム内でケーブルの破損が起こるリスクが高くなります。

調整範囲全体の 75% に設定してもクラッチが依然として解放される場合には、別の RIDGID 排水管清掃機の使用を考慮してください。

チェーンノッカーの取り付けと調整

1. 条件に応じて適切なチェーンノッカーを選択してください。

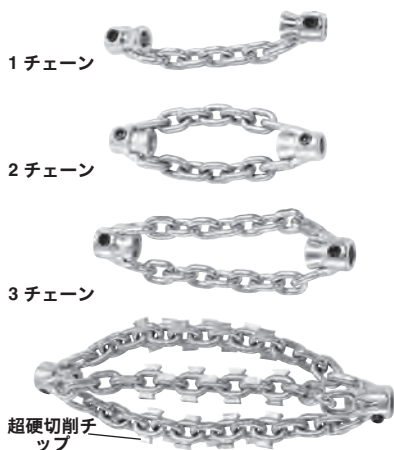


図8-チェーンノッカー

チェーンノッカーはカラーの内径に基づいてサイズが決められており、特定のケーブルサイズ用に設計されています。1/4" チェーンノッカーは 1/4" ケーブルなどに使用されます。小さいケーブルに大きいサイズのチェーンノッカーを使用しないでください（例えば 5/16" を 1/4" で使用）。図8 およびカラー寸法チャートを参照。

超硬チップなしのチェーンノッカーは、一般的な材質の管で使用できます。これらのチェーンノッカーは、グリースや同様の詰まりでうまく機能します。

超硬チップ付きのチェーンノッカーは、パイプの内側からスケールを除去するために使用され、木の根の除去に使用することができます。超硬チップ付チェーンノッカーを、特に柔らかい素材（プラスチックやオレジンバグなど）、薄肉のパイプ、またはチェーンノッカーを長時間一箇所で使用すると、パイプを損傷する可能性があります。図9の「チェーンノッカー選定一覧表」を参照してください。

ガラス、セラミック、磁器、または同様の材質や設備機器やパイプでの清掃にチェーンノッカーを使用しないでください。損傷する可能性があります。

2. 図10はチェーンノッカーの取り付け/調整を示します。チェーンノッカーの取り付け/調整時には2つのポイントがあります。

カラー距離：チェーンノッカーカラーを正しい距離（「カラー距離」）離して設定し、チェーンが回転したときにチェーンが適切な量だけ広がるようにしてパイプの壁を清掃します。カラーの距離は、ケーブルのサイズとパイプの直径によって異なります。通常、シースから作られたスペース（「カラースペース」）を使用して設定されます。屈曲部を移動するためにさらなる柔軟性が必要とされる場合、カラースペーサーを取り外してカラー距離を巻尺で設定することができます。カラースペーサーなしで操作すると、使用中にケーブルが反転するため損傷する可能性が高くなります。ケーブル損傷の危険性を減らすために、カラースペーサーなしで超硬チップ付きチェーンノッカーを使用しないでください。

露出ケーブル：露出したケーブルの量を最小限に抑えます（シースで覆われていないケーブル）。ケーブルが露出しているほど、使用中にケーブルが反転して破損する可能性が高くなります。露出ケーブルは1/4" (6 mm) 以下に制限され、シースから作られたプッシングでセットされます（「ノッカープッシング」）。露出ケーブルは、ドラムから引き出されたケーブルの量によって異なります。ドラムから引き出されているケーブルが多ければ多いほど、露出ケーブルは少なくなります。最善の結果を得るには、ドラムから引き出されたケーブルに従って露出ケーブルをセットする必要があります。

シースは、排水管清掃機に付属していますが、特定の用途に必要な構成ができるように、サービス部品として購入することが可能です。ケーブルに適したサイズのRIDGID FlexShaft 排水管清掃機シースのみを使用してください。シースを切るときは常にきれいに直角に切ってください。シースを切断するときケーブルを傷つけないでください。

3. チェーンノッカーは、付属の 3 mm 六角レンチを使用し止めねじでケーブルに固定されています。止めねじを緩め、チェーンノッカー、スペーサー、プッシュをケーブルから外します。
4. シースの端部に損傷や磨耗がないかを調べます。シースの端は直角で清潔でなければなりません。必要な場合には、シースの端を少しトリミングすることができます。

K9-102+機器

K9-204+機器



チェーンノッカー



超硬チップ付きチェーンノッカー



チェーンノッカー



超硬チップ付きチェーンノッカー

カタログ番号	64293	64298	64283	64288	64323	64328	64333	64308	64313	64318
概要	K9-102+ 1.5"	K9-102+ 2"	K9-102+ 1.5" 超硬	K9-102+ 2" 超硬	K9-204+ 2"	K9-204+ 3"	K9-204+ 4"	K9-204+ 2" 超硬	K9-204+ 3" 超硬	K9-204+ 4" 超硬
推奨配管径	1.25"-1.5" (32 ~ 40 mm)	1.5"-2" (38-50 mm)	1.25"-1.5" (32-38 mm)	1.5"-2" (38-50 mm)	2" (50 mm)	3" ki(75 mm)	4" (100 mm)	2" (50 mm)	3" ki(75 mm)	4" (100 mm)
管の種類	銅管	⊙	⊙	⊙	⊙	⊙	⊙	⊙	⊙	⊙
	SGP管	⊙	⊙	⊙	⊙	⊙	⊙	⊙	⊙	⊙
	鋳鉄管	⊙	⊙	⊙	⊙	⊙	⊙	⊙	⊙	⊙
	樹脂管 (PVC管)	⊙	⊙			⊙	⊙	⊙		
	樹脂管 (ABS管)	⊙	⊙			⊙	⊙	⊙		
	オレンジバーグ	⊙	⊙			⊙	⊙	⊙		
	波状管	⊙	⊙			⊙	⊙	⊙		
	陶管	⊙	⊙			⊙	⊙	⊙		
	詰まりの種類	グリース	⊙	⊙	⊙	⊙	⊙	⊙	⊙	⊙
柔らかい詰まり		⊙	⊙	⊙	⊙	⊙	⊙	⊙	⊙	⊙
スケール、尿石				⊙	⊙			⊙	⊙	⊙
木の根				⊙	⊙			⊙	⊙	⊙
標準付属品		⊙	⊙			⊙		⊙		

図9-チェーンノッカー選定一覧表

機械	ケーブルサイズ	チェーン数	ノッカー		推奨カラー距離
			リンク数/ チェーン	パイプ呼び径	
K9-102+	1/4"	1	7	1 1/4" ~ 1 1/2" (32 mm to 40 mm)	1 3/4" (44.5 mm)
		2	7	1 1/2" ~ 2" (40 mm to 50 mm)	
K9-204+	5/16"	2	9	2" (50 mm)	2 1/2" (63.5 mm)
		3	13	3" (75 mm)	4" (101.6 mm)
		3	15	4" (100 mm)	4 1/2" (114.3 mm)

カラー寸法表

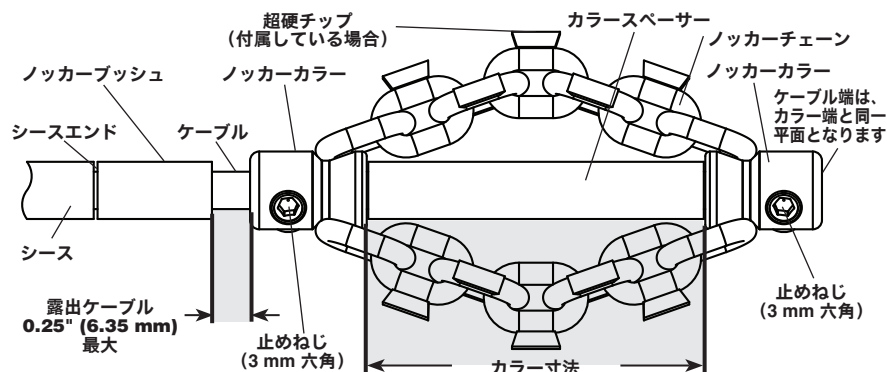


図 10 - チェーンノッカーの取り付け/調整

- 必要に応じて、カラスペーサーとして使用するためにシースの一部を適切なサイズに切り取ります (カラー距離チャートを参照)。

カラーの距離は、特定のパイプ/用途に合わせて変更することができます。カラーの距離が長くなるにつれて、チェーンの直径は減少し、逆もまた同様です。カラーの距離を不適切に設定すると、パイプの清掃効率が低下することがあります。

- 図 10 に示すように、チェーンノッカー、ノッカーブッシュ、カラスペーサーをケーブルにテスト装着します。チェーンはまっすぐでなければなりません。チェーンをねじった状態で組み立てないでください。ケーブル端が過度に摩擦するのを防ぐために、ケーブル端はカラーの端と同一平面上になるようにしてください。

露出したケーブルの長さを確認してください。ケーブルの反転や損傷の危険性を減らすために、ケーブルの露出は 1/4" (6 mm) を超えないようにしてください。必要に応じて、露出したケーブルを制限するためにシースからノッカーブッシングを切断します。シースエンドの磨耗を減らすために、必ずノッカーブッシュを使用してください。

- 図 10 に示すようにチェーンノッカーがケーブルに正しく取り付けられている状態で、付属の六角レンチを使用してカラーの止めねじをしっかりと締めます。止めねじの先端を

ケーブルに向けて配置し、1/8 ~ 1/4 回転 (45° ~ 90° の角度) 分さらに締め付けます。止めねじがしっかりと固定されていないと、チェーンノッカーが滑ってケーブルを損傷したり、排水管を紛失したりする可能性があります。

操作方法



警告

取り扱い中または使用中は、安全メガネと手袋を常に良好な状態で使用してください。化学薬品、バクテリアまたは他の有毒または感染性の物質が感染、火傷または他の重大な人身事故の危険を減らすために、それらが存在すると疑いがあるときは、ラテックスまたはゴム手袋、顔面シールド、防護服、人工呼吸器または他の適切な保護装置を装着してください。

コード付きドリルと一緒に使用しないでください。コード付きドリルで作業すると、感電の危険性が高まります。

ドリルスイッチを押している間は、チェーンノッカー/ケーブル端の回転を止めないようにしてください。ケーブルアセンブリに必要な以上の応力が掛かることになり、ケーブルのねじれ、よじれまたは破損が生じ、大けがを負う場合があります。

衛生面での正しい実践。本機を取り扱っているときや、操作中に、喫煙や飲食を行わないでください。排水管清掃機の取り扱い後または操作後は、石鹸を含んだ温水を使用し、排水管の内容物に触れた両手と他の体の部分を洗浄してください。この措置は、毒物や感染性物質に触れたことによる健康危害の危険を軽減するのに役立ちます。

FlexShaft 清掃機が動作しているときは必ずケーブルアセンブリを手に持ってください。このようにすると、ケーブルを制御しやすくなり、ケーブルのねじれ、よじれまたは破損の発生防止に役立ち、けがの危険性を減らします。

FlexShaft 清掃機のケーブルの引出口から管の入口までの距離を 3' (1 m) 以内にすることが、それ以上離れる場合は、露出しているケーブルアセンブリをしっかりと支えるようにしてください。距離が大きくなると制御上の問題が生じる可能性があり、ケーブルのねじれ、よじれ、または破損の原因となります。ケーブルのねじれやよじれ、破損が起きた場合、打撲や圧挫損傷を被る恐れがあります。

一人でケーブルアセンブリとコードレスドリルの両方を制御する必要があります。操作中にドリルスイッチをオンの位置にロックしないでください。ケーブルの回転が止まってしまった場合、すぐにドリルスイッチを放して停止させ、ケーブルのねじれ、よじれ、破損を防ぎ、身体への損傷のリスクを軽減してください。

取扱説明書に従い、ねじれたケーブルや破損したケーブル、ケーブル先端の方向を変え急に動き回る動作、機械の転倒、化学薬品による火傷、感染などが原因によるけがの危険を低減してください。

1. 機械と作業区域が適切に設定されていること、作業区域が作業員以外の者は立ち入り禁止の状態であり、他に妨害されるものがないことを確認してください。
2. 機械からケーブルアセンブリを引き出し、排水管に送り込みます。機械を始動したときにチェーンノッカーが管内から飛び出し、方向を変えて急に動き回らないようにするには、ケーブルが最低でも 1' (0.3 m) は管内に入っている必要があります。

ケーブルアセンブリを機械のケーブル出口から排水管内に直接送り込み、ケーブルの露出とケーブルの動きを最小限に抑えてください。ケーブルアセンブリをきつく曲げないでください。きつく曲げると、ねじりまたは破損の危険性が高くなります。

カメラを使用して排水管の清掃プロセスを確認する場合は、カメラを同時に挿入することができます。一般的には、ケーブルアセンブリとカメラのプッシュロッドを同時に挿入して前進/後退させることができます。カメラをチェーンノッカーの後ろに少なくとも 1.5' (0.5 m) 離してください。

注 回転するチェーンノッカーがカメラヘッド/プッシュロッドに当たらないようにしてください。破損する恐れがあります。

3. ケーブルアセンブリと機械のコントロールを維持できるように、適切な操作位置を取ります (図 11 を参照) :

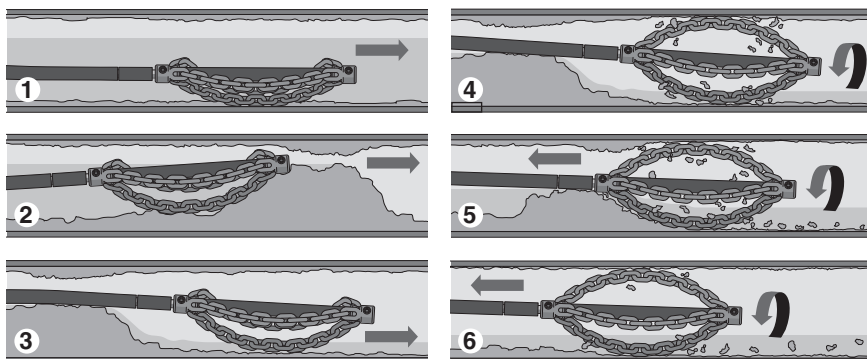
- ドリルスイッチをすばやく解除できることを確認してください。
- ケーブルアセンブリを排水管や詰まりの中に入れておく際は、手袋を着用しケーブルアセンブリを制御して支えます。
- バランスを正しく保つことができ、身体を伸ばしすぎる必要がなく、機械や排水管の上に倒れ込む可能性がないことを確認してください。この動作位置は、ケーブルアセンブリと FlexShaft 清掃機の制御を維持するのに役立ちます。



図 11 – 正しい操作位置

4. ケーブルアセンブリが少なくとも 1' (0.3 m) 管内に入っていることを確認してください。
5. ドリルの設定が適切であることを確認し、ドリルチャックの方向に注意しながらドリルスイッチを押して放します。ドリルの回転はドラムの FOR 矢印と一致するはずですが (図 4 参照)。本書で特別に指示されている場合を除き、ケーブルは逆転させないでください。逆転させるとケーブルを損傷する恐れがあります。
6. 片手をケーブルアセンブリに、もう片方の手をドリルグリップに置きます。
7. FlexShaft 排水管清掃機は、高速回転と低トルクを利用して排水管を清掃します。FlexShaft ケーブルアセンブリは、他の種類の排水管清掃ケーブルよりも柔軟性があります。FlexShaft 清掃機の操作においては、ケーブルを引き戻しながら軽く圧力をかけてチェーンノッカーをゆっくり詰まり部分に作動させるようにするのが最も効果的です。チェーンノッカーは、適切なス

FlexShaft 排水管清掃機の一般的な操作手順（下記参照）：



1. チェーンノッカーを（通常は回転していない状態で）清掃する排水管に挿入します。
2. 詰まりがある場合は、チェーンノッカーを詰まりに通します。
3. 可能であれば、排水管の清掃時に排水管から水を流して細かい汚れや破片を流します。
4. ケーブル/チェーンノッカーを全速力で回転させます。
5. ノッカーを回転させ続けます。チェーンノッカーが詰まりを解消できるように、ケーブルアセンブリを徐々に引き出します。
6. チェーンノッカーが排水管の壁面まで清掃できるように、回転しながらケーブルアセンブリを徐々に引き抜きます。

図 12 – 一般的な操作手順

ビードでご使用ください。チェーンノッカーを詰まりに向かって無理に押し込まないでください。

8. ケーブルアセンブリの送り出し/引き戻し – FlexShaft 潤滑油

場合によっては、ケーブルを管内に送るときに、RIDGID FlexShaft 潤滑油をシースの外側に塗布すると効果的です。これにより、ケーブルアセンブリを排水管に沿って前進させやすくなり、清掃距離を長くすることができます。その場合は、ケーブルアセンブリを前進させるために使用した手袋をはめた手のひらの上に、潤滑油を塗布した清潔なタオルを置き、ケーブルアセンブリを送る際に潤滑油を塗布します（図 13）。必要に応じてタオルに潤滑油を追加します。RIDGID FlexShaft のマーキングは、5' (1.5 m) ごとにシースに印刷されており、機械からどれだけのケーブルアセンブリが供給されたかを判断するのに役立ちます。

RIDGID FlexShaft 潤滑油のみを使用してください。他の潤滑油は排水管での使用には適していない可能性があり、水を汚染する可能性があります。

ケーブルアセンブリを回収するときに、ケーブルシースが排水口から引き出されてドラムに戻されるので、タオルを使用して

ケーブルシースから汚れやごみを拭き取ることをお勧めします。

9. チェーンノッカーを回転させる

通常、清掃の際にはケーブルを引き戻す間もチェーンノッカーを回転させます。

チェーンノッカーを排水管に少なくとも 0.3 m 挿入してから、ケーブル/チェーンノッカーを回転させてください。ケーブルを回転させるには、ドリルハンドルをしっかりとつかみ、ドリルスイッチを押します。ケーブルアセンブリを制御する作業員は、ドリルスイッチも制御する必要があります。1人の人がケーブルアセンブリを制御し、別の人がドリルを制御している状態で機械を操作しないでください。ケーブルアセンブリが排水管の外でたわんだり、曲がったりしないようしてください。ケーブルのねじれ、よじれ、および破損につながる可能性があります。いつでも、ドリルトリガーを放すと、ケーブルの回転が止まります。詰まりを解消する際は、最適な清掃のためにケーブルを最高速度で操作してください。チェーンノッカーを詰まりに向かって無理に押し込まないでください。場合によっては、可変速を使用するとターンをナビゲートしやすくなります。ケーブルアセンブリを前進させながらチェーンノッカーを短時間順方向または逆方向に回転させると、管内の詰まりを解消するのに役立ちます。



図 13 - ケーブルシースへの潤滑油の塗布

10. ケーブルアセンブリを管内に送り込みます。この時点でケーブルは回転させません。機械のハウジングからケーブルが出る場所の近くで、シースをつかみます。FlexShaft 清掃機から6"~12" (150~300mm) のケーブルアセンブリを引き出して、ケーブルにわずかな反りがあるようにします。手袋を着用した手でケーブルアセンブリを制御およびサポートする必要があります。不適切なケーブルサポートは、ケーブルアセンブリがよじれたりねじれたりする可能性や、ケーブルを損傷したり作業者を傷つけたりする可能性があります。ケーブルアセンブリを管内に送り込みます (図12、ステップ1)。
 11. 抵抗を感じるまでケーブルアセンブリを進め続けます。詰りの部分を通してチェーンノッカーを慎重に動かします。ケーブルアセンブリを無理に押し込まないでください。チェーンノッカーが回転できない場合は、排水管を清掃することができません。ケーブルがどのくらい中に入ったかに注意してください。ケーブルをより大きな排水管に入り込ませないようにしてください。ケーブルが絡まったり、その他の損傷を引き起こす可能性があります (図12、ステップ2)。
 12. 可能であれば、水を排水管内に流し始めてください。これにより、管内のゴミを洗い流し、ケーブルを回収するときにケーブルの清掃も行うことができます。システムの蛇口を開くまたはその他の方法により水を流してください。排水管が再度詰まる可能性があるため、水位に注意を払ってください (図12、ステップ3)。
 13. チェーンノッカーが掃除する詰まりや堆積物を通過したら、ドリルスイッチを完全に押し下げてチェーンノッカーを回転させます。ケーブルアセンブリを排水管からゆっくりと引き、回転するチェーンノッカーが排水管の壁を清掃して詰まりを解消できるようにします (図12、ステップ4&5)。ケーブルの回転が止まったら、ドリルの操作を続けしないでください。ケーブルがねじれたり曲がったりすることがあります。ケーブルの回転は、ドリルスイッチを放すことでいつでも止められます。
- 手の中のケーブルアセンブリの感触と排水管の中のドリル/ノッカーの音からの反応を確認してください。ドリルクラッチが外れた場合は、ケーブルの回転が停止した可能性があります。「セットアップ」セクションの「ドリルの調整可能型クラッチの設定」を参照してください。電池式ドリルのトルク調整を「ドリル」設定にしないでください。この設定にするとドリルハンドルにかかる力が大きくなり、ドリルが振り回される原因となる場合があります。ドリルハンドルをしっかり握ってコントロールを維持してください。
- チェーンノッカーが元の速度に戻るようにするには、チェーンノッカーを詰まりの部分から取り出す必要があります。
- チェーンノッカーが動かなくなった場合は、ドリルを逆方向に短時間動かすことで解放することができます。ケーブルの損傷を防ぐため、数秒以上逆方向に動かさないでください。場合によっては、ケーブルアセンブリと詰まりを手で排水管から引き出すことが可能です。この場合、ケーブルアセンブリを傷つけないように注意してください。ノッカーとケーブルから詰まりを取り除き、上述したように排水管の清掃を続けます。
- カメラを併用する場合は、チェーンノッカーをカメラヘッドまたはプッシュロッドに差し込まないでください。
- 場合によっては、管の反対側を清掃する際に、ドリルを短時間逆回転させると有効な場合があります。
14. ケーブルを回収しながら、残りの排水管の掃除を続けます。排水管が清掃されたら、ケーブルを回収して排水管清掃機に戻します。ケーブルが格納されている間に、ケーブルが詰まりの部分に取り込まれる可能性があるため、細心の注意を払ってください (図12、ステップ6)。
 15. ケーブルアセンブリが回収されているときに、シースのマーキングに注意してください。チェーンノッカーが排水管の開口部に近づいたら、ドリルスイッチを放します。チェーンノッカーが回転している間は、排水管からチェーンノッカーを引き出さないでください。チェーンノッカーが方向を変えて急に動き回り、大けがを負う可能性があります。
 16. さらに清掃が必要な場合は、上記の手順を繰り返してください。

17. 残りのケーブルアセンブリを管内から手で引き出し、ドラムに押し戻します。搬送できるように機械を準備します。

ドラムの排水

必要に応じて、排水管清掃機を回転させてハウジング内の液体を排出することができます。(ドレンホールの位置は図1を参照)。

搬送

すべてのケーブルアセンブリをドラムに入れ、チェーンロッカーをフックに固定します。ドリルシャフトからドリルを取り外します。転倒や排水管清掃機の損傷を防ぐため、搬送中はドリルを取り付けたままにしないでください。図1参照。

保管

▲警告 排水管清掃機は、屋内の乾燥した場所に保管する必要があります。屋外の場合は適切に覆いを施した状態で保管してください。清掃機は、小児や排水管清掃機に慣れていない作業員の手の届かないところに施錠して保管してください。訓練を受けていない人が本機を操作した場合、重傷を負うおそれがあります。

保守に関する注意事項

▲警告

保守を実行する前に、ドリルを排水管清掃機から取り外してください。

保守を行う場合には必ず、安全眼鏡およびその他の適切な防護用具を使用してください。

清掃作業

ケーブルアセンブリを排水管から引き出してドラムに戻す際に、タオルを使用して埃や埃を拭き取ることをお勧めします。これはドラムを清潔に保ち、ケーブルアセンブリがドラムにくっつく可能性を減らすのに役立ちます。必要に応じて、ケーブルアセンブリを機械から引き出し、ハウジングを開いて水洗い/洗浄を行うことができます。

必要に応じて、石鹼水(温水)や中性の消毒剤入りで機械を掃除してください。必要に応じて機械の排水をしてください。

潤滑

FlexShaft 排水管清掃機は、工場出荷前に潤滑され、その後の潤滑は必要ありません。

ケーブルアセンブリの交換

1. ケーブルアセンブリ全体をハウジングから引き出します。
2. 付属の六角レンチ(または同様の工具)を使用して、キャリアハンドルの下でラッチを開きます(図14)。ハウジングを閉じたまま他のラッチを開きます。



図14 - キャリアハンドルの下にあるラッチを開きます(六角レンチを使用してください)

3. ハウジングを開きます(図15)。

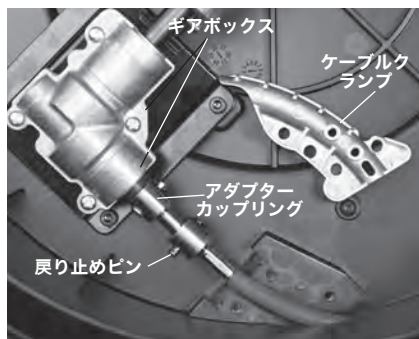


図15 - 排水管清掃機ハウジング(カバーを外した状態)

4. ケーブルクランプの留め具、ケーブルクランプを取り外します(図15/16)。
5. ケーブルカップリングからボール戻り止めピンを外します。
6. アダプターカップリングからケーブルカップリングを取り外し、ケーブルアセンブリを取り外します。
7. 逆の手順で組み立て、しっかりとすべての留め具を取り付けます。ケーブルクランプのサイトウィンドウの端までシースが覆われていることを確認してください(図16)。

トラブルシューティング

故障	考えられる原因	解決策
ケーブルのよじれまたは破損。	ケーブルアセンブリに無理な力に加えられている。	ケーブルアセンブリに無理に力を加えないでください。操作方法に従ってください。
	パイプ径に合わない FlexShaft 機械またはチェーンノッカーが使用されています。Fドリルが逆に動作している。	パイプサイズに適した FlexShaft 清掃機またはチェーンノッカーを使用してください。FlexShaft がパイプに引っかかった場合にのみリバースを使用してください。
排水管の清掃中に FlexShaft 機械がぐらつく、または移動する。	ケーブルアセンブリが酸/腐食している。	ケーブルアセンブリを定期的に清掃してください。
	ケーブル/シースが磨耗している。	摩耗したケーブルアセンブリを交換してください。
水平で安定した面に配置してください。	ケーブルアセンブリが正しく保持されていない。	正しくケーブルアセンブリを保持してください。手順説明を参照。
	チェーンノッカーが正しく設定/調整されていない	チェーンノッカーを正しく設定/調整してください。手順説明を参照。
	不適切なドリルまたはドリル設定。	適切なドリルと設定を選択してください。手順説明を参照。



図 16 - ケーブルアセンブリの交換

保守点検と修理

▲警告

整備や修理を正しく行わないと、本機を安全に作動させることができなくなることがあります。

本機を保守点検する必要がある場合は、「保守に関する注意事項」に従ってください。本項で取り扱われていない問題については、RIDGID 正規修理代行店でのみ扱ってください。RIDGID のサービス部品のみを使用してください。

整備または修理は、RIDGID の正規修理代行店が行います。株式会社 コア・エレクトロニック システム リジッド製品修理センター 〒224-0061 横浜市都筑区大丸9-16 第一幸喜ビル 5階 501号室 Tel : 045-534-8243 Fax : 045-624-9123 cesridgid@ces-net.com

オプション機器

▲警告

重篤なけがを防ぐため、以下の RIDGID 排水管清掃機 FlexShaft 用に設計された推奨アクセサリのみを使用してください。

カタログ番号	概要
64283	ノッカー、 $\frac{1}{8}$ " ケーブル、 $1\frac{1}{2}$ "-2" パイプ、単鎖、超硬チップ
64288	ノッカー、 $\frac{1}{8}$ " ケーブル、2" パイプ、2鎖、超硬チップ
64293	ノッカー、 $\frac{1}{8}$ " ケーブル、 $1\frac{1}{2}$ "-2" パイプ、単鎖
64298	ノッカー、 $\frac{1}{8}$ " ケーブル、2" パイプ、2鎖
64308	ノッカー、 $\frac{1}{8}$ " ケーブル、2" パイプ、2鎖、超硬チップ
64313	ノッカー、 $\frac{1}{8}$ " ケーブル、3" パイプ、3鎖、超硬チップ
64318	ノッカー、 $\frac{1}{8}$ " ケーブル、4" パイプ、3鎖、超硬チップ
64323	ノッカー、 $\frac{1}{8}$ " ケーブル、2" パイプ、2鎖
64328	ノッカー、 $\frac{1}{8}$ " ケーブル、3" パイプ、3鎖
64333	ノッカー、 $\frac{1}{8}$ " ケーブル、4" パイプ、3鎖
64338	FlexShaft 潤滑油、8 oz、ケースあたり 12
64343	$\frac{1}{8}$ " アセンブリ、ケーブル、シース、カップリング、50'
64348	$\frac{1}{8}$ " アセンブリ、ケーブル、シース、カップリング、70'
64363	$1\frac{1}{2}$ " (32 mm) RIDGID ウォールパイプ付属品
64368	$1\frac{1}{2}$ " (40 mm) RIDGID ウォールパイプ付属品

これらの工具で使用可能な RIDGID 機器の一覧全体については、RIDGID.com の Ridge Tool カタログをオンラインでご覧いただくか、連絡先情報を参照してください。

廃棄

これらの工具の部品には貴重な素材が含まれており、リサイクルが可能です。お客様の地域のリサイクル専門業者までお問い合わせください。構成部品はすべての該当する規則に従って処分してください。詳細については、各地域の廃棄物管理当局までお問い合わせください。

드레인 클리닝 머신

모델 K9-102+ & K9-204+ FlexShaft™ 드레인 클리닝 머신



⚠ 경고

이 사용 설명서를 주의 깊게 읽은 후 공구를 사용하십시오. 이 설명서의 내용을 이해하지 못하거나 따르지 않으면 전기 충격, 화재 및/또는 심각한 인명피해가 발생할 수 있습니다.

RIDGID®

목차

안전 기호 99

일반 안전 규칙

 작업 영역 안전 99

 전기 안전 99

 개인 안전 99

 공구 사용 및 관리 100

 서비스 100

특정 안전 정보 100

 FlexShaft 드레인 클리닝 머신 안전 100

RIDGID 연락처 정보 101

설명 101

사양 102

 사양 - 허용 가능한 배터리 동력 드릴 102

 표준 장비 102

작동 전 검사 102

머신 및 작업 영역 준비 103

배터리 동력 드릴 설치 및 작동 104

 드릴 스위치 104

 드릴 속도 105

 드릴 조정 클러치 설정 105

체인 노커 설치/조정 106

작동 지침 108

 드럼 배수 112

 운반 102

보관 112

유지 관리 지침 112

 클리닝 112

 윤활 112

 케이블 어셈블리 교체 112

 문제 해결 113

 서비스 및 수리 113

선택 사항 장비 113

폐기 114

EC 적합성 선언 뒷면 커버 내부

평생 보증 서비스 뒷면

*원본 지침 - 영어

안전 기호

본 사용 설명서와 제품은 중요한 안전 정보를 전달하고자 안전 기호와 신호 단어를 사용합니다. 본 섹션은 신호 단어 및 기호에 대한 이해를 돕기 위한 것입니다.



안전 경고 기호입니다. 잠재적인 인명 부상 위험을 경고하기 위해 사용됩니다. 이 기호와 함께 제시되는 모든 안전 메시지를 준수하여 발생 가능한 부상 또는 인명 사고를 방지하십시오.



위험 위험은 방지되지 않은 경우 인명 사고 또는 심각한 부상을 유발하는 위험 상황을 나타냅니다.



경고 경고는 방지되지 않은 경우 인명 사고 또는 심각한 부상을 유발할 수 있는 위험 상황을 나타냅니다.



유의 유의는 방지되지 않은 경우 사소하거나 경미한 부상을 유발할 수 있는 위험 상황을 나타냅니다.



주의 주의는 자산 보호와 관련된 정보를 나타냅니다.



이 기호는 사용 설명서를 주의 깊게 읽은 후 장비를 사용해야 함을 의미합니다. 사용 설명서에는 안전하고 적절하게 장비를 작동시키는 법에 대한 중요 정보가 포함되어 있습니다.



이 기호는 눈의 부상 위험을 줄이기 위해 이 장비를 사용하는 동안 측면 차폐 또는 고글이 있는 보안경을 항상 착용해야 함을 의미합니다.



이 기호는 손, 손가락 또는 다른 신체 부위가 드레인 클리닝 FlexShaft에 끼이거나, 걸리거나, 찢기는 위험을 나타냅니다.



이 기호는 전기 충격의 위험이 있음을 나타냅니다.



이 기호는 손가락 또는 다른 신체 부위가 체인 노커에 끼이거나, 걸리거나, 찢거나 부딪치는 위험을 나타냅니다. 드레인 외부에서 케이블 끝으로 공구를 작동하지 마십시오.



이 기호는 드레인의 내용물로부터 감염, 화상 또는 다른 심각한 인명 부상의 위험을 줄이기 위해 이 장비를 다루거나 사용하는 동안 장갑을 항상 착용해야 함을 의미합니다.

일반 안전 규칙



경고

모든 경고 및 지침을 읽고 이해하십시오. 모든 경고 및 지침을 준수하지 않으면 전기 충격, 화재 및/또는 심각한 부상이 발생할 수 있습니다.

이 지침을 보관하십시오.

작업 영역 안전

- 작업 영역을 청결하고 밝게 유지하십시오. 어수선하거나 어두운 곳에서는 사고가 발생할 수 있습니다.
- 인화성 액체, 가스 또는 먼지가 있는 폭발성 환경에서는 공구를 작동하지 마십시오. 공구에서 먼지 또는 연기 점화를 유발하는 스파크가 발생할 수 있습니다.
- 공구 조작 중에는 어린 아이 및 주변인이 접근하지 않도록 하십시오. 주의를 분산되어 제어 능력이 떨어질 수 있습니다.
- 바닥을 건조하게 유지하고 오일 등의 미끄러운 소재를 사용하지 마십시오. 바닥이 미끄러우면 사고가 발생할 수 있습니다.

전기 안전

- 파이프, 방열판, 레인지 및 냉장고 등 접지된 표면에 신체가 접촉하지 않도록 하십시오. 신체가 접지되면 전기 충격의 위험이 증가합니다.
- 비 또는 습한 환경에 동력 장비가 노출되지 않도록 하십시오. 동력 공구에 물이 들어가면 전기 충격의 위험이 증가합니다.
- 동력 장비를 습한 곳에서 작동해야 하는 경우 접지 결합 회로 차단기(GFCI) 보호 공급장치를 사용하십시오. GFCI를 사용하면 전기 충격의 위험이 감소합니다.

개인 안전

- 공구 사용 시에는 주의를 기울이고 작업 상황을 관찰하며 상식적으로 사용해야 합니다. 매우 피곤한 상태이거나 약물, 술 또는 의약품 복용 상태인 경우 공구를 사용하지 마십시오. 공구를 사용하는 동안 부주의하면 심각한 인명 부상이 발생할 수 있습니다.
- 개인 보호 장비를 사용하십시오. 항상 보안경을 착용하십시오. 적절한 조건을 위해

사용되는 먼지 마스크, 미끄럼 방지 안전화, 안전모 또는 청각 보호기를 사용하면 인명 부상을 줄일 수 있습니다.

- 과도하게 기울이지 마십시오. 항상 적절하게 바닥을 디딘 상태에서 균형을 유지하십시오. 발을 적절하게 디디고 균형을 적절히 유지하면 예기치 못한 상황에서도 공구를 적절하게 제어할 수 있습니다.

공구 사용 및 관리

- 공구에 힘을 가하지 마십시오. 용도에 맞는 올바른 공구를 사용하십시오. 올바른 공구를 사용하면 설계된 속도로 더 안전하고 원활하게 작업을 수행할 수 있습니다.
- 사용 중이지 않은 공구를 어린아이의 손이 닿지 않는 곳에 보관하고 공구 또는 이러한 지침에 익숙하지 않은 사람이 공구를 작동하지 않도록 하십시오. 공구는 미숙련 사용자가 사용하는 경우 위험할 수 있습니다.
- 공구를 유지 관리하십시오. 움직이는 부품의 오정렬 또는 영킵, 부품 파손 및 공구의 작동에 영향을 주는 기타 모든 조건을 확인하십시오. 파손된 경우 공구를 수리 후 사용하십시오. 공구의 불량 유지 관리로 인해 사고가 자주 발생합니다.
- 핸들을 건조하고 청결하게 유지하며 오일 및 그리스가 없도록 유지하십시오. 공구 제어를 향상하십시오.

서비스

- 공인 수리 인력이 동일한 교체 부품만을 사용하여 공구를 수리해야 합니다. 이를 통해 공구의 안전을 유지할 수 있습니다.

특정 안전 정보

⚠경고

이 섹션에는 이 장비에 대한 중요한 안전 정보가 포함되어 있습니다.

FlexShaft™ 드레인 클리닝 머신을 사용하기 전에 유의 사항을 정독하여 전기 충격 또는 기타 심각한 인명 부상의 위험을 줄일 수 있도록 하십시오.

향후에 참조할 수 있도록 모든
경고와 지침을 보관하십시오!

작업자가 활용할 수 있도록 이 설명서를 기기와 함께 보관하십시오.

FlexShaft 드레인 클리닝 머신 안전

- 취급 또는 사용하는 동안 양호한 상태의 안전 안경과 장갑을 항상 사용하십시오. 감염, 화상 또는 기타 심각한 인명 부상의 위험을 줄이기 위해 화학물질, 박테리아 또는 그 외에 독성이나 감염성이 있는 물질이 있다고 의심되는 경우에는 라텍스 또는 고무장갑, 얼굴 보호대, 보호복, 마스크 또는 기타 적절한 보호 장비를 사용하십시오.
- 유선 드릴은 사용하지 마십시오. 유선 드릴로 작동하면 전기 충격 및 기타 부상의 위험이 증가합니다.
- 드릴 스위치가 내려져 있는 동안 체인 노커/케이블의 끝이 회전을 멈추지 않도록 하십시오. 이 경우 케이블에 과도한 스트레스가 가해져 케이블이 뒤틀림, 꼬임 또는 파손이 발생하거나 심각한 인명 부상이 발생할 수 있습니다.
- 적절한 위생 관리를 실시하십시오. 공구를 취급 또는 작동하는 동안 음식을 먹거나 담배를 피우지 마십시오. 드레인 클리닝 장비를 취급 또는 작동한 후에는 손, 그리고 그 외 드레인 내용물에 노출된 신체 부위를 따뜻한 비눗물로 씻으십시오. 이는 독성 또는 감염성 물질에 노출됨에 따른 건강상의 위험을 줄이는 데 도움이 됩니다.
- 권장 드레인 사이즈에 맞는 FlexShaft 드레인 클리닝 머신만 사용하십시오. 잘못된 사이즈의 드레인 클리너를 사용하면 케이블이 뒤틀림, 꼬임 또는 파손이 발생하거나 심각한 인명 부상이 발생할 수 있습니다.
- FlexShaft 머신이 작동 중일 때마다 케이블 어셈블리를 제어하십시오. 이를 통해 케이블을 더욱 수월하게 제어할 수 있으며 케이블의 뒤틀림, 꼬임 및 파손을 예방하고 부상 위험을 줄일 수 있습니다.
- 머신 케이블 콘센트와 드레인 입구 간 간격이 3피트(1m) 이내가 되도록 배치하십시오. 또는 이 간격이 3피트(1m)보다 먼 경우에는 노출된 케이블 어셈블리를 적절히 지탱하십시오. 간격이 더 멀어지면 제어하는 데 문제가 발생할 수 있으며 이에 따라 케이블이 뒤틀림, 꼬임 또는 파손이 발생할 수 있습니다. 케이블이 뒤틀림, 꼬임 또는 파손은 타박상 또는 압제 부상을 초래할 수 있습니다.
- 한 사람이 케이블 어셈블리와 무선 드릴을 모두 제어해야 합니다. 작동 중에 ON 위치에서 드릴 스위치를 잠그지 마십시오. 케이블이 회전을 멈추면 케이블이 뒤틀림, 꼬임 및

파손을 예방하고 부상 위험을 줄일 수 있도록 작업자가 드릴 스위치를 풀어야 합니다.

- 느슨한 의류 또는 장신구를 착용하지 마십시오. 머리카락 및 의류를 이동 중인 부품에서 멀리 떨어뜨리십시오. 느슨한 의류, 장신구 또는 긴 머리가 이동 중인 부품에 끼일 수 있습니다.
- 작업자 또는 머신이 물속에 있는 경우에는 머신을 작동하지 마십시오. 물속에서 머신을 작동시킬 경우 감전 위험이 커집니다.
- 작동 중에 다른 유틸리티(천연가스 또는 전기 등)와의 접촉 위험이 있는 경우 사용하지 마십시오. 카메라를 사용하여 드레인을 육안으로 검사하는 것이 좋습니다. 교차 보어, 부적절하게 배치된 유틸리티 및 손상된 드레인으로 인해 커터가 유틸리티에 접촉하여 손상될 수 있습니다. 이를 통해 전기 충격, 가스 누출, 화재, 폭발 등이 발생하거나 심각하게 손상되거나 부상이 발생할 수 있습니다.
- 작동하기 전에 이 공구와 함께 사용되는 다른 장비는 해당 장비 지침, 이러한 지침 및 배터리 드릴 지침을 읽고 파악하십시오. 모든 지침을 준수하지 않으면 재산상의 손해 및/또는 심각한 부상을 입을 수 있습니다.

RIDGID 연락처 정보

이 RIDGID® 제품에 관하여 궁금한 점이 있는 경우:

- 현지 RIDGID 대리점에 문의하십시오.
- RIDGID.com을 참조하여 현지의 RIDGID 연락처를 확인하십시오.
- Ridge Tool 기술 서비스 부서 (ProToolsTechService@Emerson.com)로 문의하거나 미국 및 캐나다의 경우 844-789-8665로 전화하십시오.

설명

RIDGID® 모델 K9-102+ 및 K9-204+ FlexShaft™ 드레인 클리닝 머신은 사양에 나와 있는 대로 파이프와 드레인 라인을 청소하고 디스케일하도록 설계되었습니다.

사용자 공급 배터리 동력 드릴은 FlexShaft 드레인 클리닝 머신을 유도하는 데 사용됩니다. FlexShaft 드레인 클리닝 머신 케이블 어셈블리는 드레인 안팎에서 수동으로 삽입됩니다. 파이프 내경으로 확장되는 체인 노커는 장애물을 절단하고 파이프의 벽을 청소하는 데 사용됩니다. 카바이드 커팅 팁이 있는 체인 노커는 루트에 사용하거나 스케일의 파이프 벽을 청소하는

데 사용할 수 있습니다. 일반 체인 노커는 그리스를 포함한 일반 용도로 사용됩니다. FlexShaft 드레인 클리너는 드레인 클리닝 공정 동안 검사 카메라와 함께 사용하기에 적합합니다.

FlexShaft 머신은 경량이며 소형이므로 운반하기가 쉽습니다.

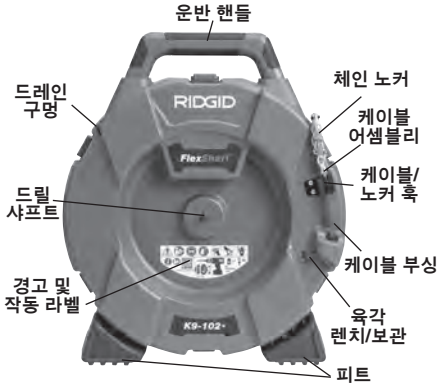


그림 1A - RIDGID® FlexShaft 드레인 클리닝 머신



그림 1B - RIDGID® FlexShaft 드레인 클리닝 머신

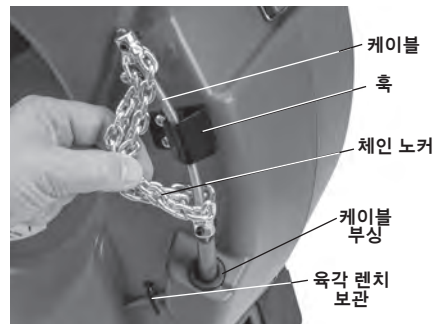


그림 1C - 케이블 끝/체인 노커

사양

	K9-102+	K9-204+
모델	K9-102+	K9-204+
드레인 용량(공칭)	1/4"-2"(32~50mm)	2"-4"(50~100mm)
케이블 직경(피복 제외)	1/4"(6mm)	3/16"(8mm)
케이블 어셈블리 직경(피복 포함)	3/8"(9.5mm)	1/2"(12.7mm)
케이블 어셈블리 길이	50'(15.2m)	70'(21.3m)
회전 속도	최대 2500RPM	최대 2500RPM
드릴 부착장치	3/16" 육각(8mm)	3/16" 육각(8mm)
중량(드릴/노커 제외)	11.0kg(24.3lbs)	16.9kg(37.3lbs)
치수(드릴 제외)	19.2" x 7.5" x 22.1" (488mm x 191mm x 562mm)	21.1" x 10.8" x 24.2" (536mm x 274mm x 615mm)
작동 온도	20°F~140°F(-6°C~60°C)	20°F~140°F(-6°C~60°C)

픽스처가 손상될 수 있으므로 FlexShaft 드레인 클리너로 유리, 세라믹, 자기 또는 유사한 픽스처를 청소하는 것은 권장되지 않습니다.

사양 - 허용 가능한 배터리 동력 드릴

회전 속도..... 1800~2500rpm
 척 사이즈..... 3/8" 이상
 클러치..... 조정식 토크 장착
 스위치 유형..... 순간 접촉식
 스위치 잠금..... 장착되지 않음
 드릴은 마켓에 적절한 인증 마크를 제공해야 함 (CE 마크, c(us) 마크 등)

유선 드릴, 해머 드릴 또는 임팩트 드라이버는 사용하지 마십시오. 부적절한 드릴을 사용하면 장비 손상 및 인명 부상의 위험이 증가합니다. **배터리 동력 드릴 설치 및 작동 섹션을 참조하십시오.**

표준 장비

특정 드레인 클리닝 머신 카탈로그 번호로 공급된 장비에 관한 자세한 정보는 RIDGID 카탈로그를 참조하십시오.

주의 이 머신은 드레인 청소용으로 제작되었습니다. 이 머신은 올바르게 사용한다면 적절히 설계, 제조 및 유지 관리된 양호한 상태의 드레인에 손상을 주지 않습니다. 드레인의 상태가 불량하거나 드레인이 부적절하게 설계, 제조 및 유지 관리된 경우에는 드레인 청소 프로세스가 효과를 볼 수 없거나 드레인이 손상될 수 있습니다. 드레인을 청소하기 전에 드레인 상태를 판단하는 가장 좋은 방법은 카메라를 사용하여 육안 검사를 하는 것입니다. 이 드레인 클리닝 머신의 부적절한 사용으로 인해 드레인 클리닝 머신과 드레인이 손상될 수 있습니다. 이 머신은 모든 장애물을 청소하지 못할 수도 있습니다.

작동 전 검사

⚠경고



감전, 케이블 뒤틀림 또는 파손, 화학적 화상, 감염, 그리고 그 외 원인에 따른 심각한 부상의 위험을 줄이고 드레인 클리닝 머신 손상을 예방하려면 드레인 클리닝 머신을 사용 전마다 검사하고 이를 통해 발견되는 모든 문제를 교정하십시오.

드레인 클리닝 머신 검사 시에는 항상 안전 안경과 그 외 적절한 보호 장비를 착용하십시오.

1. 핸들 및 컨트롤을 포함하여 머신을 청소하십시오. 이는 원활하게 검사하는 데 도움이 되며 머신 또는 컨트롤을 잡을 때 미끄러지는 것을 방지합니다. 유지 관리 지침에 따라 머신을 청소하고 유지 관리하십시오.
2. 머신에서 다음을 검사하십시오.
 - 적절한 조립 및 완전성.
 - 부품의 파손, 마모, 누락, 오정렬 또는 엉킴.
 - 경고 라벨 부착 및 가독성(그림 2 참조).

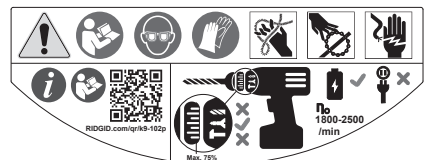


그림 2 - 경고 라벨

- 머신 안팎에서 케이블 어셈블리의 원활하고 자유로운 이동.
 - 안전 및 정상 작동을 방해하는 모든 기타 조건.
- 어느 문제든 발견되는 경우에는 문제가 해결될 때까지 드레인 클리닝 머신을 사용하지 마십시오.
3. 케이블 어셈블리 및 체인 노커에서 모든 부스러기를 청소하십시오. 피복의 마모 및 손상 여부를 검사하십시오. 절단, 꼬임, 손상 또는 심한 마모가 있어서는 안 됩니다. 체인 노커 주변의 케이블을 검사하십시오. 케이블 어셈블리는 구부러지거나 변형되어서는 안 됩니다. 케이블 스트랜드는 분리 없이 서로 단단하게 고정해야 합니다. 체인 노커에 손상되거나 손실된 카바이드 커밍 팁(장착된 경우)이 있는지, 체인 자체가 마모되었는지 검사하십시오. 체인 링크가 ¼ 이상 마모되었거나 손상된 경우 체인 노커를 교체하십시오. 마모 및 손상된 장비는 드레인 클리닝 머신을 사용하기 전에 교체하십시오.
- 체인 노커가 적절하게 준비되고 케이블에 고정되었는지 확인하십시오.
4. 지침에 따라 배터리 동력 드릴을 검사하십시오. 드릴이 양호한 작동 상태이며 스위치가 드릴 작동을 제어하는지 확인하십시오. 드릴이 사양 섹션에 있는 요구 사항을 충족하고 머신에 사용하도록 적절하게 설정되었는지 확인하십시오.
 5. 사용하는 기타 모든 장비를 지침에 따라 검사하고 유지 관리하여 제대로 기능할 수 있게 하십시오.

1. 적절한 작업 영역을 확인하십시오. 청결하고 평평하고 안정적이고 건조한 위치에서 작동합니다. 물속에서 드레인 클리닝 머신을 사용하지 마십시오.

2. 청소할 드레인을 검사하십시오. 가능하다면 드레인 접근 지점, 드레인의 사이즈, 길이 및 재질, 주 라인과의 거리, 장애물의 성질, 드레인 클리닝 화학물질 또는 기타 화학물질 등의 존재 여부를 파악하십시오.

화학물질이 드레인에 존재하는 경우에는 그러한 화학물질과 관련하여 작업을 수행하는 데 필요한 특정 안전 조치를 이해하는 것이 중요합니다. 필수 정보는 화학물질 제조업체에 문의하십시오. 손상의 위험을 줄이기 위해 드레인 또는 해당 영역에 다른 유틸리티가 없는지 확인하십시오. 카메라를 사용하여 드레인을 육안으로 검사하는 것이 좋습니다.

필요한 경우 픽스처(대변기 등)를 제거하여 드레인에 접근할 수 있도록 하십시오. 픽스처에서 체인 노커를 작동하지 마십시오. 이에 따라 FlexShaft 머신 또는 픽스처가 손상될 수 있습니다.

드레인 클리닝 공정 동안 물이 흐르게 하여 먼지를 씻어내면 최고의 드레인 클리닝 결과를 얻을 수 있습니다. 1/4" 및 1/2" 싱크 드레인의 경우 이를 위해 벽 파이프를 절단하십시오. **설치/는 그림 3**을 참조하십시오. 컨테이너를 배치하여 흘릴 수 있는 드레인 내용물을 담으십시오.

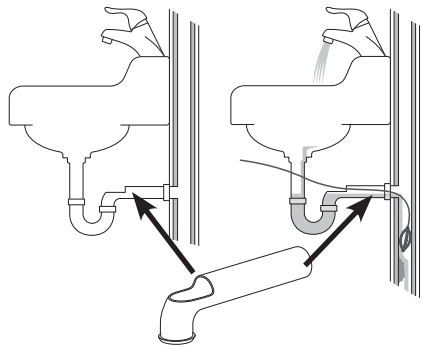


그림 3 - 벽 파이프 설치

머신 및 작업 영역 준비

⚠경고



감전, 화재, 머신 기물어짐, 케이블 뒤틀림 또는 파손, 화학적 화상, 감염, 그리고 그 외 원인에 따른 부상 위험을 줄이고 머신 손상을 예방하려면 드레인 클리닝 머신과 작업 영역을 다음 절차에 따라 준비하십시오.

드레인 클리닝 머신 준비 시에는 항상 안전 안경과 그 외 적절한 보호 장비를 착용하십시오.

3. 용도에 알맞은 장비를 파악하십시오. **사양을 참조하십시오.** 다른 용도에 알맞은 드레인 클리닝 머신은 Ridge Tool 카탈로그와 RIDGID.co.kr에서 온라인으로 확인하실 수 있습니다.
4. 반드시 모든 장비를 적절히 검사하십시오.

5. 필요시 작업 영역에 보호 덮개를 설치하십시오. 드레인 클리닝 프로세스를 수행할 때는 주변이 번잡해질 수 있습니다.
6. 드릴 샤프트를 수직으로 사용하여 지면에 드레인 클리닝 머신을 배치하십시오. 머신은 지면에서 똑바로 정확하게 배치해야 합니다. 드릴 샤프트를 수평으로 작동하지 마십시오. 그러면 기울어지는 위험이 줄어듭니다.
7. 드릴에서 배터리를 제거하십시오. 드릴을 적절히 설치합니다. (배터리 동력 드릴 설치 및 작동 섹션을 참조). 드릴 척을 드릴 샤프트의 육각에 단단히 부착하십시오(그림 4).



그림 4 - 드릴을 드릴 샤프트에 부착



그림 5 - 머신 케이블 콘센트의 3피트 이내로 드레인 접근부 연장 의 예

8. 케이블 콘센트가 드레인 접근부의 3'(1m) 이내에 있도록 드레인 클리닝 머신을 배치하십시오. 드레인 접근부와와의 거리가 더 멀어지면 케이블 어셈블리 뒤틀림 또는 꼬임 위험이 커집니다. 케이블 콘센트와 드레인 접근부 간격이 3'(1m) 이내가 되도록 FlexShaft 머신을 배치할 수 없는 경우 드레인 접근부를 유사한 사이즈의 파이프 및

피팅으로 연장하십시오(그림 5 참조). 케이블 어셈블리 지지부가 적절하지 않으면 케이블 꼬임 및 뒤틀림이 발생할 수 있으며 케이블 손상 또는 작업자 부상으로 이어질 수 있습니다. 또한 드레인을 다시 드레인 클리닝 머신에 연장하면 케이블 어셈블리를 드레인에 삽입하는 것이 더 쉬워집니다.

9. 후에서 체인 노커 연결을 분리하고 머신에서 케이블 어셈블리를 약 4'(1.2m) 당겨 빼냅니다.
10. 빼내는 동안 체인 노커가 드레인 입구에 가까워질 때를 나타내기 위해 피부에 표시합니다. 테이프를 사용하여 이 작업을 할 수 있습니다. 그렇게 하면 드레인에서 나오며 이리저리 마구 움직이는 체인 노커의 위험이 줄어듭니다. 거리는 드레인의 구성에 따라 다르지만, 체인 노커에서 최소한 4'(1.2m)여야 합니다.
11. 체인 노커가 적절하게 설치되었는지 확인하십시오 (체인 노커 설치/조정 참조).
12. 체인 노커 끝을 드레인에 1'(0.3m) 이상 삽입하십시오.
13. 작업 영역을 평가하고, 드레인 클리닝 머신과 작업 영역에서 주변인을 격리시키기 위해 장벽이 필요한지 확인하십시오. 드레인 클리닝 공정을 수행하면 주변이 번잡해질 수 있으며 주변인으로 인해 작업자의 주의가 분산될 수 있습니다.
14. 간편하게 사용하도록 머신을 배치하십시오. 케이블 어셈블리 및 드릴 스위치를 잡고 제어할 수 있어야 합니다.
15. 물기가 없는 손으로 배터리를 드릴에 삽입하십시오.

배터리 동력 드릴 설치 및 작동

FlexShaft 드레인 클리닝 머신에서 사용할 수 있는 허용 가능한 배터리 동력 드릴에 대한 정보는 이 섹션과 함께 사양 섹션을 참조하십시오. 사용 가능한 배터리 동력 드릴 종류는 다양하며, 이 중 일부만 FlexShaft 드레인 클리닝 머신용으로 적합합니다. 이러한 용도에 대한 드릴의 적합성에 의문이 있으면 사용하지 마십시오. 드레인 클리닝 머신을 조정하거나 부착/분리하기 전에 드릴에서 배터리를 분리하십시오.

드릴 스위치

드릴에는 스위치 잠금 없이 순간 점점 스위치가 장착되어야 합니다. 이는 운영자가 드릴 스위치를 내릴 때만 드릴이 회전한다는 의미입니다. 드릴 스위치가 해제되면 드릴이 꺼집니다. 드릴을 “FOR” 방향으로 설정합니다(그림 4 참조).

드릴 속도

FlexShaft 드레인 클리닝 머신을 사용할 경우, 필요한 회전 속도 범위는 1800~2500rpm입니다. 체인 노커를 최대 2500rpm에 가깝게 회전시켜 클리닝을 최적화합니다. 이를 위해 작동을 최적화하려면 배터리 동력 드릴 사양과 설정을 파악하십시오. 많은 배터리 동력 드릴에는 여러 개의 속도 설정이 있으며 일반적으로 최고 속도는 FlexShaft 장비 작동 범위 내에 있습니다. 드릴 속도 설정 예시는 **그림 6**을 참조하십시오. 2500rpm을 초과하는 경우에는 FlexShaft 드레인 클리닝 머신을 작동하지 마십시오.



그림 6 - 드릴 설정

드릴 조정식 클러치 설정

항상 적절히 준비된 조정식 클러치가 장착된 배터리 구동 드릴을 사용하십시오. 이렇게 하면 드레인 클리너 드럼의 케이블 손상 위험을 줄이고 핸들 힘을 감소시킵니다.

조정식 클러치가 장착된 배터리 동력 드릴에는 일반적으로 토크 조정 이음 고리(**그림 6**)가 있으며, 1부터 시작하여 클러치 공회전 시 토크 증가를 나타내기 위해 증가하는 숫자로 스케일이 표시됩니다. 조정식 클러치는 나사 구동에 여러 번 사용되며, 조정식 클러치 작동을 위해 “나사 구동 모드”(☛)로 설정해야 하는 선택기가 있을 수 있습니다. 조정식 클러치를 해제하는 경우 모터는 계속 회전하지만 드릴 척은 회전하지 않습니다. 드릴에서 진동/소음이 수반되는 경우가 많습니다.

또한 배터리 동력 드릴에는 “드릴”(☛) 및 “해머”(☛) 작동 모드(**그림 7**)가 장착되기도 합니다. 이러한 모드에서는 조정식 클러치가 작동하지 않으며, 이러한 모드는 FlexShaft 드레인 클리닝 머신 작동에 사용해서는 안 됩니다.

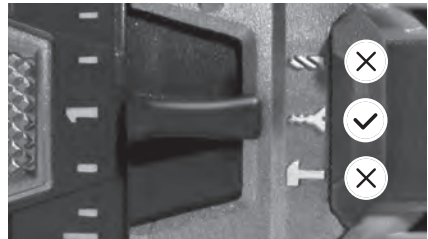


그림 7 - 적절한 모드 선택

FlexShaft 드레인 클리닝 머신을 사용할 때는 항상 총 클러치 조정 범위의 약 25%로 설정된 조정식 클러치로 시작합니다(예: 드릴의 토크 조정 이음 고리가 1~20으로 표시된 경우 초기 설정은 5가 되어야 함).

이러한 지침에 따라 드레인 클리너를 작동시킵니다. 장애물을 청소하는 경우 최적의 청소를 위해 전속력으로 드릴을 작동하십시오. 체인 노커로 장애물에 힘을 가하지 마십시오. 체인 노커가 회전할 수 없는 경우 드레인을 청소할 수 없습니다. 체인 노커는 속도를 높이기 위해 장애물 밖으로 이동해야 할 수 있습니다. 작동 중에 드릴 클러치가 지속적으로 해제되는 경우 (“클러치 아웃”), 드릴 스위치를 해제하고 드레인에서 케이블을 회수합니다. 드레인 클리너 설정 및 작동을 검토하고 모든 것이 올바른지 확인하십시오. 적절한 작동을 위한 설정에서 중요한 부분은 체인 노커 선택 (**자세한 내용은 그림 9 참조**) 및 조정입니다. 필요한 변경 작업을 수행하고 드레인 클리닝을 계속합니다.

작동 중에 드릴 클러치를 계속 해제하는 경우, 드릴 조정식 클러치 설정이 증가할 수 있습니다. 드릴 클러치는 총 클러치 조정 범위의 최대 75%까지 단계적으로 증가할 수 있습니다. 예를 들어, 드릴의 토크 조정 이음 고리가 1~20으로 표시된 경우 최대 설정은 15 이하입니다. 총 클러치 조정 범위의 75%를 초과하지 마십시오. 드릴을 “드릴”(☛) 또는 “해머”(☛) 모드로 두지 마십시오. 그러면 조정식 클러치가 비활성화됩니다. 이러한 경우 드레인 클리너의 드럼에서 케이블 손상 위험이 증가합니다.

총 클러치 조정 범위의 75%에서 설정할 때 드릴 클러치를 계속 해제하는 경우 다른 RIDGID 드레인 클리닝 머신을 사용하십시오.

체인 노커 설치/조정

1. 상태에 적절한 체인 노커를 선택하십시오.



그림 8 - 체인 노커

체인 노커는 이음 고리의 내경에 따라 사이즈가 조정되며 특정 케이블 사이즈에 맞게 설계되었습니다. 1/4" 체인 노커는 1/4" 케이블에서 사용됩니다. 작은 케이블에 큰 사이즈의 체인 노커를 사용하지 마십시오(예: 1/4" 케이블에 5/16" 사이즈의 체인 노커 사용). **그림 8 및 이음 고리 거리 차트를 참조하십시오.**

카바이드 커팅 팁이 없는 체인 노커는 일반적인 파이프 유형에 사용할 수 있습니다. 이러한 체인 노커는 그리스 및 유사한 장애물에 잘 작동합니다.

카바이드 커팅 팁이 있는 체인 노커는 파이프 내부에서 스케일을 제거하는 데 사용되며 루트에 사용할 수 있습니다. 카바이드 커팅 팁은 적극적인 청소에서 사용되며 특히 더 부드러운 재질(플라스틱 및 오렌지버그 등), 얇은 벽면의 파이프 또는 오랜 시간 동안 체인 노커가 한 위치에 유지되는 경우 파이프가 손상될 수 있습니다. **그림 9, 체인 노커 선택 차트를 참조하십시오.**

유리, 세라믹, 자기 또는 유사한 재료의 픽스처나 파이프 청소는 체인 노커를 사용하지 마십시오. 기기가 손상될 수 있습니다.

2. **그림 10**은 적절한 체인 노커 설치 및 조정의 도식을 보여줍니다. 체인 노커를 설치/조정하는 데는 두 가지 요점이 있습니다.

이음 고리 거리: 체인 노커 이음 고리를 올바른 거리(이음 고리 거리)만큼 떨어지도록 설정하여 파이프 벽을 청소하기 위해 회전할 때 체인이 적절히 퍼지도록 합니다. 이음 고리 거리는 케이블 사이즈와 파이프 직경에 따라 다양하며 일반적으로 피복에서 만든 스페이서(이음 고리 스페이서)를 사용하여 설정됩니다. 밴드를 탐색하는 데 추가적인 유연성이 필요한 경우 이음 고리 스페이서를 제거하고 줄자를 사용하여 이음 고리 스페이서 없이 작동하면 사용 시 케이블이 뒤집어져 손상될 가능성이 커집니다. **케이블 손상의 위험을 줄이려면 이음 고리 스페이서 없이 카바이드 커터를 작동하지 마십시오.**

노출된 케이블: 노출된 케이블(피복으로 덮이지 않은 케이블)의 양을 최소화합니다. 노출된 케이블이 많을수록 사용 시 케이블이 뒤집혀 손상될 가능성이 커집니다. 노출된 케이블은 1/4"(6mm) 미만으로 제한해야 하며 피복에서 만든 부싱(노커 부싱)을 사용하여 설정됩니다. 노출 케이블은 드럼에서 나온 케이블의 양에 따라 달라집니다. 드럼에서 더 많은 케이블을 사용할수록 노출된 케이블의 길이는 짧아집니다. 노출된 케이블을 드럼에서 나온 케이블로 설정해야 최상의 결과를 얻을 수 있습니다.

피복은 드레인 클리너와 함께 제공되며 특정 응용 분야에 필요한 대로 구성이 가능하도록 서비스 부품으로 사용할 수 있습니다. 케이블에 대해 올바른 사이즈의 RIDGID FlexShaft 드레인 클리너 피복만 사용하십시오. 피복을 절단하는 경우 깔끔하고 정확하게 절단해야 합니다. 피복 절단 시 케이블을 손상하지 마십시오.

3. 체인 노커는 제공된 3mm 육각 키를 사용하는 세트 나사가 있는 케이블에 고정됩니다. 세트 나사를 풀고 케이블에서 체인 노커, 스페이서 및 부싱을 분리하십시오.
4. 피복의 끝이 손상 또는 마모되었는지 검사하십시오. 피복의 끝은 정확하고 깔끔해야 합니다. 필요한 경우 피복의 끝을 가볍게 다듬을 수 있습니다.

K9-102+ 머신

K9-204+ 머신



체인 노커



카바이드
팁 체인 노커



체인 노커



카바이드
팁 체인 노커

카탈로그 번호	64293	64298	64283	64288	64323	64328	64333	64308	64313	64318	
설명	K9-102+ 1.5"	K9-102+ 2"	K9-102+ 1.5" 카바이드	K9-102+ 2" 카바이드	K9-204+ 2"	K9-204+ 3"	K9-204+ 4"	K9-204+ 2" 카바이드	K9-204+ 3" 카바이드	K9-204+ 4" 카바이드	
파이프 사이즈	1.25"-1.5" (32-40mm)	1.5"-2" (40-50mm)	1.25"-1.5" (32-40mm)	1.5"-2" (40-50mm)	2" (50mm)	3" (75mm)	4" (100mm)	2" (50mm)	3" (75mm)	4" (100mm)	
파이프 유형	구리	☑	☑	☑	☑	☑	☑	☑	☑	☑	
	아연 도금	☑	☑	☑	☑	☑	☑	☑	☑	☑	
	주철	☑	☑	☑	☑	☑	☑	☑	☑	☑	
	PVC	☑	☑			☑	☑	☑			
	ABS	☑	☑			☑	☑	☑			
	오렌지 버그	☑	☑			☑	☑	☑			
	주름식	☑	☑			☑	☑	☑			
	클레이	☑	☑			☑	☑	☑			
장애틀	그리스	☑	☑	☑	☑	☑	☑	☑	☑	☑	
	부드러운 이물질	☑	☑	☑	☑	☑	☑	☑	☑	☑	
	스케일			☑	☑			☑	☑	☑	
	가벼운 뿌리			☑	☑			☑	☑	☑	
	키트에 포함	☑	☑			☑		☑			

그림 9 - 체인 노커 선택 차트

머신	케이블 사이즈	체인 개수	노커		권장 이음 고리 거리
			링크/체인 개수	공칭 파이프 사이즈	
K9-102+	1/4"	1	7	1 1/4"~1 1/2" (32mm~40mm)	1 3/4" (44.5mm)
		2	7	1 1/2"~ 2" (40mm~50mm)	
K9-204+	5/16"	2	9	2" (50mm)	2 1/2" (63.5mm)
		3	13	3" (75mm)	4" (101.6mm)
		3	15	4" (100mm)	4 1/2" (114.3mm)

이음 고리 거리 차트

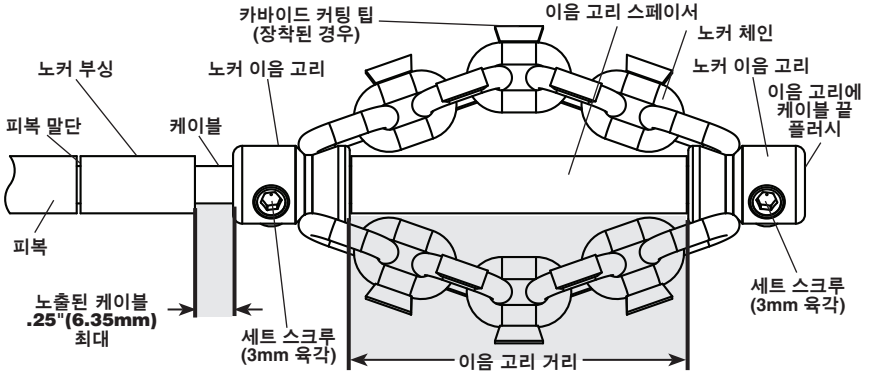


그림 10 - 체인 노커 설치/조정

5. 필요한 경우 피복 부분을 잘라 적절한 사이즈의 이음 고리 스페이서로 사용하십시오(이음 고리 거리 차트 참조).

이음 고리 거리는 특정 파이프/분야에 맞게 원하는 대로 수정할 수 있습니다. 이음 고리 거리가 늘어나면 체인의 직경이 줄어들고 반대의 경우도 마찬가지입니다. 이음 고리 거리를 적절하게 설정하지 않으면 파이프 클리닝의 효율성이 떨어질 수 있습니다.

6. 그림 10에 표시된 대로 체인 노커, 노커 부싱 및 이음 고리 스페이서를 케이블에 테스트 장착하십시오. 체인은 일직선이어야 합니다. 체인이 뒤틀리게 조립하지 마십시오. 심한 케이블 끝 마모를 방지하려면 케이블 끝이 이음 고리의 끝과 풀러시되어야 합니다.

노출된 케이블의 길이를 확인하십시오. 케이블 뒤집힘 및 손상의 위험을 줄이려면 노출된 케이블이 1/4"(6mm)를 초과하면 안 됩니다. 필요한 경우 피복에서 노커 부싱을 절단하여 노출된 케이블을 제한하십시오. 피복 끝의 마모를 줄이려면 항상 노커 부싱을 사용하십시오.

7. 그림 10에 표시된 대로 케이블에 체인 노커를 올바르게 설치하고 제공된 육각 렌치를 사용하여 이음 고리 세트 나사를 단단하게 고정하십시오. 세트 나사 팁을 케이블에 대고 1/8~1/4(45°~90°) 만큼 추가로 돌려 조입니다. 세트 나사가 고정되지

않으면 체인 노커가 미끄러지고 케이블이 손상되거나 드레인이 손실될 수 있습니다.

작동 지침



보안경과 장갑은 취급 또는 사용하는 중에 항상 양호한 상태로 사용하십시오. 감염, 화상 또는 기타 심각한 인명 부상의 위험을 줄이기 위해 화학물질, 박테리아 또는 그 외에 독성이나 감염성이 있는 물질이 있다고 의심되는 경우에는 라텍스 또는 고무장갑, 얼굴 보호대, 보호복, 마스크 또는 기타 적절한 보호 장비를 사용하십시오.

유선 드릴은 사용하지 마십시오. 무선 드릴로 작동하면 전기 충격의 위험이 증가합니다.

드릴 스위치가 내려져 있는 동안 체인 노커/케이블의 끝이 회전을 멈추지 않도록 하십시오. 이 경우 케이블에 과도한 스트레스가 가해져 케이블 어셈블리 뒤틀림, 꼬임 또는 파손이 발생할 수 있으며 이에 따라 심각한 부상이 발생할 수 있습니다.

적절한 위생 관리를 실시하십시오. 공구를 취급 또는 작동하는 동안 음식을 먹거나 담배를 피우지 마십시오. 드레인 클리닝 장비를 취급 또는 작동한 후에는 손, 그리고 그 외 드레인 내용물에 노출된 신체 부위를 따뜻한 비눗물로 씻으십시오. 이는 독성

또는 감성성 물질에 노출됨에 따른 건강상의 위험을 줄이는 데 도움이 됩니다.

FlexShaft 머신이 작동 중일 때마다 케이블 어셈블리를 제어하십시오. 이를 통해 케이블을 더욱 수월하게 제어할 수 있으며 케이블의 뒤틀림, 꼬임 및 파손을 예방하고 부상 위험을 줄일 수 있습니다.

FlexShaft 머신 케이블 콘센트와 드레인 입구 간 간격이 3피트(1m) 이내가 되도록 배치하십시오. 또는 이 간격이 3피트(1m)보다 먼 경우에는 노출된 케이블 어셈블리를 적절히 지탱하십시오. 간격이 더 멀어지면 제어하는 데 문제가 발생할 수 있으며 이에 따라 케이블 뒤틀림, 꼬임 또는 파손이 발생할 수 있습니다. 케이블 뒤틀림, 꼬임 또는 파손은 타박상 또는 압력 부상을 초래할 수 있습니다.

한 사람이 케이블 어셈블리와 무선 드릴을 모두 제어해야 합니다. 작동 중에 ON 위치에서 드릴 스위치를 잠그지 마십시오. 케이블이 회전을 멈추면 케이블 뒤틀림, 꼬임 및 파손을 예방하고 부상 위험을 줄일 수 있도록 작업자가 드릴 스위치를 풀어야 합니다.

케이블 뒤틀림 또는 파손, 케이블 끝이 이리저리 마구 움직이는 경우, 머신의 기울어짐, 화학적 화상, 감염, 그리고 그 외 원인으로 인한 부상의 위험을 줄이려면 작동 지침을 따르십시오.

1. 머신과 작업 영역이 적절하게 준비되도록 하고, 작업 영역에 주변인 및 그 외 주의를 분산시키는 요소가 없도록 하십시오.
2. 머신에서 케이블 어셈블리를 당겨 드레인 안으로 넣으십시오. 케이블은 최소한 1'(0.3m) 길이만큼 드레인 안으로 들어가야, 머신 시동 시 체인 노커가 드레인 밖으로 나와서 이리저리 마구 움직이는 일이 없습니다.

머신의 출구부에서 케이블 어셈블리를 직접 드레인 입구로 연결하여 케이블 노출과 방향 변화를 최소화하십시오. 케이블 어셈블리를 지나치게 구부리지 마십시오. 뒤틀림 또는 파손 위험이 커집니다.

카메라를 사용하여 드레인 클리닝 공정을 확인하는 경우 카메라를 동시에 삽입할 수 있습니다. 일반적으로 케이블 어셈블리 및 카메라 푸시 로드를 동시에 잡고 방출하거나 회수할 수 있습니다. 카메라를 체인 노커의 최소 1.5피트 (0.5m) 뒤에 유지하십시오.

주의 회전하는 체인 노커가 카메라 헤드/푸시 로드와 부딪치지 않도록 하십시오. 손상을 입힐 수 있습니다.

3. 케이블 어셈블리 및 드릴에 대한 제어 상태를 유지할 수 있도록 적절한 작동 자세를 취하십시오 (그림 11).

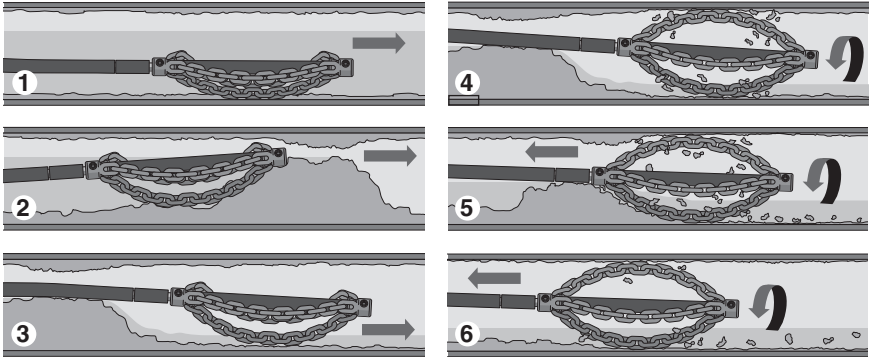
- 드릴 스위치를 신속하게 놓을 수 있도록 하십시오.
- 케이블 어셈블리가 드레인 및 이물질 안에 들어가므로 장갑을 낀 손은 제어하고 지탱할 케이블 어셈블리 위에 두어야 합니다.
- 몸의 균형이 잘 잡혀 있고, 필요한 것을 사용하기 위해 몸을 지나치게 기울일 필요가 없으며, 머신, 드레인 등의 위로 넘어질 위험이 없는 상태여야 합니다. 이 작업 위치는 케이블 어셈블리 및 FlexShaft 머신의 제어를 유지할 수 있도록 도와줍니다.



그림 11 - 작업 자세

4. 케이블 어셈블리의 최소 1'(0.3m)가 드레인 안에 있는지 확인하십시오.
5. 드릴이 제대로 설치되었는지 확인하고 드릴 스위치를 내리고 놓아서 드릴 척의 방향을 파악하십시오. 드릴 회전은 드릴의 FOR 화살표와 일치해야 합니다(그림 4 참조). 케이블 역방향 작동은 이 지침에서 특별하게 지시하지 않는 한 수행하지 마십시오. 역방향으로 작동시키면 케이블이 손상될 수 있습니다.
6. 한 손을 케이블 어셈블리에 올리고 다른 한 손을 드릴 그림에 올려놓으십시오.
7. FlexShaft 드레인 클리닝 머신은 높은 회전 속도와 낮은 토크를 활용하여 드레인을 청소합니다. FlexShaft 케이블 어셈블리는 다른 유형의 드레인 클리닝 케이블보다 더 유연합니다. FlexShaft 머신은 케이블을 서서히 빼낼 때 낮은 압력을 적용하고 체인 노커를 장애물에 천천히 작동시키면 가장 효과적으로 사용할 수 있습니다. 체인 노커의 속도로 드레인을

FlexShaft 드레인 클리닝 머신의 일반 작동 단계(아래 참조):



1. 청소가 필요한 드레인 영역에 체인 노커를 방출합니다(일반적으로 회전이 아님).
2. 장애물이 있는 경우 장애물을 통과하여 체인 노커를 방출합니다.
3. 가능한 경우 드레인을 통해 물을 흘려보내기 시작하여 드레인이 청소되면서 잘린 물질과 부스러기를 운반하도록 합니다.
4. 전속력으로 케이블/체인 노커를 회전합니다.
5. 노커를 계속 회전합니다. 체인 노커가 장애물을 절단할 수 있도록 케이블 어셈블리를 서서히 빼냅니다.
6. 체인 노커가 드레인의 벽을 청소할 수 있도록 회전하는 동안 계속 케이블 어셈블리를 서서히 빼냅니다.

그림 12 - 일반 작동 단계

청소하는 것이 중요합니다. 이물질에 작용하도록 체인 노커에 강제로 힘을 가하지 마십시오.

8. 케이블 어셈블리 방출/회수 - FlexShaft 운할유

어떤 경우에는 케이블을 드레인 아래로 삽입할 때 피복 외부에 RIDGID FlexShaft 운할유를 도포하는 것이 도움이 될 수 있습니다. 그러면 더욱 쉽게 케이블 어셈블리를 드레인 아래로 방출하고 더 큰 클리닝 거리를 허용할 수 있습니다. 이 작업을 수행하는 경우 케이블 어셈블리 방출을 위해 사용하는 장갑 낀 손바닥에 운할유를 바른 깨끗한 타월을 들고 케이블 어셈블리를 삽입하면서 운할유를 도포하십시오(그림 13). 공정 중 필요한 경우 운할유를 타월에 추가하십시오. RIDGID FlexShaft 표시는 머신에서 삽입된 케이블 어셈블리 길이를 판단하는 데 도움이 되도록 5'(1.5m)마다 피복에 인쇄됩니다.

RIDGID FlexShaft 운할유만 사용하십시오. 다른 운할유는 드레인에서 사용하는 데 적합하지 않을 수 있으며 물을 오염시킬 수 있습니다.

케이블 어셈블리를 회수하는 경우 드레인에서 당겨져 드럼으로 다시 삽입되므로 타월을

사용하여 먼지와 부스러기를 케이블 시스템에서 닦아내는 것이 좋습니다.

9. 체인 노커 회전

일반적으로 체인 노커는 케이블을 서서히 빼내는 동안 클리닝을 위해 회전합니다.

체인 노커가 드레인에 최소 1' 들어간 경우에만 케이블/체인 노커를 회전하십시오. 케이블을 회전하려면 드릴 핸들을 꼭 쥐고 드릴 스위치를 내리십시오. 케이블 어셈블리는 제어하는 사람은 드릴 스위치도 제어해야 합니다. 한 사람이 케이블 어셈블리를 제어하고 다른 사람이 드릴을 제어하는 식으로 머신을 작동하지 마십시오. 케이블 어셈블리가 드레인, 보우 또는 커브 밖에서 쌓이지 않도록 하십시오. 그러면 케이블의 뒤틀림, 꼬임 및 파손이 발생할 수 있습니다. 언제든지 드릴 트리거를 놓아 케이블 회전을 중지하십시오. 장애물을 청소하는 경우 최적의 청소를 위해 전속력으로 케이블을 작동하십시오. **체인 노커로 장애물에 힘을 가하지 마십시오.** 어떤 경우에는 다양한 속도를 활용하면 회전 이동에 도움이 됩니다. 케이블 어셈블리를 방출하는 동안 짧은 시간에 전방향 또는 역방향으로 체인 노커를 회전하면 드레인 및 장애물을 통과하는 데 도움이 됩니다.



그림 13 - 윤활유를 케이블 시스템에 도포

- 드레인에서 천천히 덩거 회전하는 체인 노커가 드레인 벽을 청소하고 이물질을 절단하도록 하십시오(그림 12, 4 & 5단계). **케이블이 회전을 멈추면 드릴 작동을 계속하지 마십시오.** 그렇게 하면 케이블이 뒤틀리고 꼬일 수 있습니다. 언제든지 드릴 스위치를 놓아 케이블 회전을 중지하십시오.
- 손에 있는 케이블 어셈블리의 느낌과 드레인에 있는 드릴/노커의 소리로부터 피드백을 모니터링하십시오. 드릴 클러치가 공회전할 경우 케이블이 회전을 멈추었을 가능성이 높습니다. **설치 시 드릴 조정식 클러치 설정 섹션을 참조하십시오.** 배터리 드릴 토크 조정 장치를 “드릴” 설정으로 두지 마십시오. 이 경우 드릴 핸들에서 느껴지는 힘이 증가하여 드릴을 회전시킬 수 있습니다. 드릴 핸들을 단단히 잡고 제어를 유지하십시오.
- 다시 속도를 내도록 이물질 밖으로 체인 노커를 이동해야 할 수 있습니다.
- 체인 노커가 걸린 경우 짧은 시간 동안 역방향으로 드릴을 작동하면 풀어질 수 있습니다. 케이블 손상을 방지하려면 몇 초 이상 역방향으로 실행하지 마십시오. 어떤 경우에는 손으로 케이블 어셈블리 및 장애물을 드레인 밖으로 당길 수 있습니다. 이를 수행하는 경우 케이블 어셈블리를 손상하지 않도록 주의하십시오. 노커 및 케이블에서 장애물을 제거하고 위에서 설명한 대로 계속 드레인을 청소하십시오.
- 카메라를 사용하는 경우 카메라 헤드 또는 푸시 로드에서 체인 노커를 실행하지 마십시오.**
- 파이프 반대쪽을 청소하려면 드릴을 짧은 시간 동안 REVERSE로 돌리는 것이 도움이 될 수도 있습니다.
10. 케이블 어셈블리를 드레인에 방출합니다 (일반적으로 회전이 아님). 머신 하우징을 나가는 주변 피복을 잡으십시오. 케이블이 살짝 휘어지도록 FlexShaft 머신 밖으로 케이블 어셈블리의 6"~12"(150~300mm)를 당기십시오. 장갑 낀 손은 제어하고 지탱할 케이블 어셈블리 위에 있어야 합니다. 케이블 지지부가 적절하지 않으면 케이블 어셈블리 꼬임 또는 뒤틀림이 발생할 수 있으며 케이블 손상 또는 작업자 부상으로 이어질 수 있습니다. 케이블 어셈블리를 드레인에 삽입하십시오(그림 12, 1단계).
 11. 저항이 생길 때까지 케이블 어셈블리를 계속 방출하십시오. 장애물을 통과하여 체인 노커를 주의 깊게 작동하십시오. **케이블 어셈블리에 힘을 가하지 마십시오. 체인 노커가 회전할 수 없는 경우 드레인을 청소할 수 없습니다.** 케이블 거리에 주의의 기울어하십시오. 케이블을 더 큰 드레인에 넣어 초과 작동하지 마십시오. 그러면 케이블이 헝클어지거나 다른 부분이 손상될 수 있습니다(그림 12, 2단계).
 12. 가급적 드레인 아래로 물을 흘려보내 부스러기를 라인에서 씻어내고 라인 회수 시 케이블 어셈블리 청소가 수월해질 수 있도록 하십시오. 이는 드레인 시스템의 수도꼭지를 돌리거나 다른 방법을 통해 가능합니다. 단, 수위에 주의하십시오. 드레인이 다시 막힐 수 있습니다(그림 12, 3단계).
 13. 체인 노커가 청소할 장애물/영역을 통과하도록 하여 체인 노커를 회전하도록 드릴 스위치를 전적으로 내리십시오. 케이블 어셈블리를
 14. 케이블을 회수하는 동안 나머지 드레인을 계속 청소하십시오. 드레인이 청소되면 케이블을 회수하고 드레인 클리닝 머신에 다시 삽입하십시오. 회수하는 동안 케이블이 이물질에 박힐 수 있으니 주의하십시오(그림 12, 6단계).
 15. 케이블 어셈블리가 회수될 때 피복 표시를 확인하십시오. 체인 노커가 드레인 입구 근처에 있으면 드릴 스위치를 놓으십시오. 회전하는 동안 드레인에서 체인 노커를 당기지 마십시오. 체인 노커는 이리저리 마구 움직여 심각한 부상이 발생할 수 있습니다.
 16. 완벽한 클리닝에 필요한 경우 위의 절차를 반복하십시오.

17. 손으로 라인에서 나머지 케이블 어셈블리를 당기고 다시 드럼으로 밀어 넣으십시오. 운반을 위해 머신을 준비하십시오.

드럼 배수

필요한 경우 드레인 클리너를 회전하여 하우징에 있는 액체를 배수할 수 있습니다(드레인 구멍 위치는 그림 1 참조).

운반

모든 케이블 어셈블리를 드럼에 삽입하고 체인 노커를 후측 고정하십시오. 드릴 샤프트에서 드릴을 분리하십시오. 드레인 클리너의 기울어짐 및 손상을 방지하기 위해 운반하는 동안 드릴을 부착한 채로 두지 마십시오. **그림 1을 참조하십시오.**

보관

▲ 경고 드레인 클리닝 머신은 실내에서 건조한 상태로 보관하거나 실외 보관 시에는 덮개로 덮어 보관해야 합니다. 이 머신은 어린이 및 드레인 클리닝 머신에 익숙하지 않은 사람의 손이 닿지 않는 폐쇄된 곳에 보관하십시오. 비숙련 사용자가 사용하는 경우 머신으로 인해 심각한 부상이 발생할 수 있습니다.

유지 관리 지침

▲ 경고

유지 관리를 수행하기 전에 드릴을 드레인 클리너에서 분리해야 합니다.

유지 관리를 실시할 때는 항상 안전 안경과 그 외 적절한 보호 장비를 착용하십시오.

청소

케이블 어셈블리가 드레인에서 당겨져 드럼으로 다시 삽입되므로 타월을 사용하여 먼지와 부스러기를 케이블 피복에서 닦아내는 것이 좋습니다. 그러면 드럼이 깨끗하게 유지되고 케이블 어셈블리가 드럼에 들러붙을 가능성이 줄어듭니다. 필요한 경우 케이블 어셈블리를 머신에서 당기고 플러싱/클리닝을 위해 하우징을 열어둘 수 있습니다.

뜨거운 비눗물 및/또는 순한 소독약으로 필요에 따라 머신을 청소하십시오. 필요한 경우 머신을 배수하십시오.

운행

FlexShaft 드레인 클리닝 머신은 공장에서 운할유가 도포되어 출고됩니다.

케이블 어셈블리 교체

1. 하우징에서 전체 케이블 어셈블리를 당기십시오.
2. 제공된 육각 렌치(또는 유사 도구)를 사용하여 운반 핸들 아래에 있는 래치를 엽니다(그림 14). 하우징이 닫혀 있도록 유지하는 다른 래치를 엽니다.



그림 14 - 운반 핸들 아래에 있는 래치를 엽니다 (육각 렌치 사용)

3. 하우징을 엽니다(그림 15).

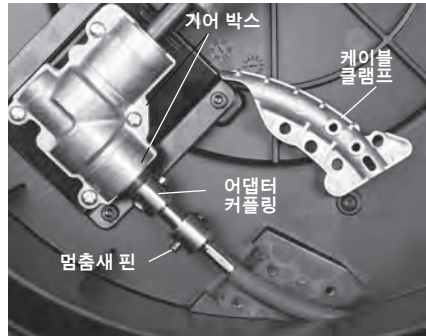


그림 15 - 열려 있는 드레인 클리너 하우징

4. 케이블 클램프 패스너, 케이블 클램프를 제거합니다.(그림 15/16).
5. 케이블 커플링에서 멈춤쇠 핀을 제거합니다.
6. 어댑터 커플링에서 케이블 커플링을 분리하고 케이블 어셈블리를 제거합니다.
7. 모든 패스너를 단단하게 부착하여 공정을 역으로 실행해 조립하십시오. 피복이 케이블 클램프의 사이트 창끝까지 가는지 확인합니다.(그림 16 참조).

문제 해결

증상	가능한 원인	솔루션
케이블 꼬임 또는 파손이 있습니다.	케이블 어셈블리에 힘이 가해지고 있습니다.	케이블 어셈블리에 힘을 가하지 마십시오. 작동 지침을 따르십시오.
	잘못된 FlexShaft 머신 또는 체인 노커가 파이프 직경에 사용되었습니다.	올바른 FlexShaft 머신 또는 체인 노커를 파이프 사이즈에 사용하십시오.
	드릴이 역방향으로 작동되고 있습니다.	플렉스 샤프트 파이프에 걸렸을 경우에만 역방향으로 사용하십시오.
	케이블 어셈블리가 산에 노출되었거나 부식되었습니다.	케이블 어셈블리를 정기적으로 청소하십시오.
	케이블/피복이 마모되었습니다.	마모된 케이블 어셈블리를 교체하십시오.
	케이블 어셈블리를 적절히 지탱하지 않았습니다.	케이블 어셈블리를 적절히 지탱하십시오. 지침을 참조하십시오.
드레인 청소 중 FlexShaft 머신이 흔들리거나 움직입니다.	체인 노커가 적절히 준비/조정되지 않았습니다.	체인 노커를 적절히 준비/조정하십시오. 지침을 참조하십시오.
	부적절한 드릴 또는 드릴 세팅입니다.	적절한 드릴 및 세팅을 선택하십시오. 지침을 참조하십시오.
	지면이 평평하지 않습니다.	평평하고 안정적인 표면에 배치하십시오.



그림 16 - 케이블 어셈블리 변경

서비스 및 수리

⚠경고

부적절한 서비스 또는 수리로 인해 기계 작동이 안전하지 않을 수 있습니다.

'유지 관리 지침'은 이 머신에 필요한 대부분의 서비스에 적용됩니다. 이 섹션에서 다루지 않는 모든 문제는 RIDGID 공인 독립 서비스 센터만 처리할 수 있습니다. RIDGID 서비스 부품만 사용하십시오.

가장 가까운 RIDGID 공인 독립 서비스 센터에 관한 정보 또는 서비스/수리 질문은 이 설명서의 [연락처 정보](#) 섹션을 참조하십시오.

옵션형 장비

⚠경고

심각한 부상의 위험을 줄이려면 나열된 것과 같은 **RIDGID FlexShaft** 드레인 클리닝 머신용으로 특수 설계 및 권장되는 부속품만 사용하십시오.

카탈로그 번호	설명
64283	노커, 1/4" 케이블, 1 1/2"-2" 파이프, 단일체인, 카바이드 팁
64288	노커, 1/4" 케이블, 2" 파이프, 2체인, 카바이드 팁
64293	노커, 1/4" 케이블, 1 1/2"-2" 파이프, 단일체인
64298	노커, 1/4" 케이블, 2" 파이프, 2체인
64308	노커, 3/8" 케이블, 2" 파이프, 2체인, 카바이드 팁
64313	노커, 3/8" 케이블, 3" 파이프, 3체인, 카바이드 팁
64318	노커, 3/8" 케이블, 4" 파이프, 3체인, 카바이드 팁
64323	노커, 3/8" 케이블, 2" 파이프, 2체인
64328	노커, 3/8" 케이블, 3" 파이프, 3체인
64333	노커, 3/8" 케이블, 4" 파이프, 3체인
64338	FlexShaft 운환유, 8 oz, 케이스당 12
64343	1/2" 어셈블리, 케이블, 피복, 커플링, 50'
64348	3/8" 어셈블리, 케이블, 피복, 커플링, 70'
64363	1 1/2" RIDGID 벽 파이프 액세스리
64368	1" RIDGID 벽 파이프 액세스리

이들 공구에 사용할 수 있는 RIDGID 장비의 전체 목록은 RIDGID.co.kr에서 온라인으로 Ridge Tool 카탈로그를 열람하거나 [연락처 정보](#)를 참조하십시오.

폐기

장비의 부품에는 귀중한 소재가 사용되었으며 재활용이 가능합니다. 가능한 경우 이러한 부품을 재활용할 수 있는 현지 재활용 업체를 이용하시길 권장합니다. 적용 가능한 모든 규정을 준수하여 구성품을 폐기하십시오. 자세한 정보는 현지 폐기물 관리 당국에 문의하십시오.

RIDGID® K9-102+ & K9-204+ FlexShaft™ Drain Cleaning Machines

MANUFACTURER
RIDGE TOOL COMPANY
400 Clark Street
Elyria, Ohio 44035-6001
U.S.A.
RTCRegulatory.Compliance@Emerson.com

AUTHORIZED REPRESENTATIVE
Ridge Tool Europe NV (RIDGID)
Ondernemerslaan 5428
3800 Sint-Truiden, Belgium
europeproductcompliance@emerson.com
+40 374132035

EC DECLARATION OF CONFORMITY

We declare that the machines listed above, when used in accordance with the operator's manual, meet the relevant requirements of the Directives and Standards listed below.

DÉCLARATION DE CONFORMITÉ CE

Nous déclarons que lorsqu'elles sont utilisées selon leur mode d'emploi, les machines indiquées ci-dessus répondent aux exigences applicables des directives et normes ci-après.

DECLARACIÓN DE CONFORMIDAD DE LA CE

Declaramos que las máquinas listadas más arriba, cuando se usan conforme al manual del operario, cumplen con los requisitos pertinentes de las directrices y normas listadas a continuación.

PROHLÁŠENÍ O SHODĚ ES

Prohlášíme, že výše uvedené nástroje a zařízení splňují při použití v souladu s jejich návodem k obsluze příslušné požadavky níže uvedených směrnic a nariadení.

EF-OVERENSSTEMMELSESERKLÆRING

Vi erklærer, at de ovenfor anførte maskiner, ved brug i overensstemmelse med brugervejledningen, opfylder de relevante krav i de nedenfor anførte direktiver og standarder.

EG KONFORMITÄTSERKLÄRUNG

Wir erklären, dass die oben aufgeführten Maschinen, wenn sie entsprechend der Bedienungsanleitung verwendet werden, die einschlägigen Anforderungen der folgenden Richtlinien und Normen erfüllen.

ΔΗΛΩΣΗ ΣΥΜΜΟΡΦΩΣΗΣ ΕΚ

Δηλώνουμε ότι τα μηχανήματα που αναφέρονται παραπάνω, όταν χρησιμοποιούνται σύμφωνα με το εγχειρίδιο χειρισμού, πληρούν τις σχετικές απαιτήσεις των παρακάτω Οδηγιών και Προτύπων.

EY-VAATIMUSTENMUKAISUUSVAKUUTUS

Vakuutamme, että edellä luetteluit koneet täyttävät käyttöohjekirjan mukaisesti käytettyinä seuraavien direktiivien ja standardien vaatimukset.

EU IZJAVA O SKLADNOSTI

Izjavljujemo da su gore navedeni strojevi, kada se koriste u skladu s priručnikom za korisnike, sukladni s relevantnim zahtjevima dolje navedenih direktiva i standarda.

EK MEGFELELŐSÉGI NYILATKOZAT

Kijelentjük, hogy a fent felsorolt gépek - amennyiben a kezelési útmutatónak megfelelően használják őket - megfelelnek az alább felsorolt Irányelvek és Szabványok követelményeinek.

DICHIARAZIONE DI CONFORMITÀ CE

Dichiariamo che le macchine elencate in alto, se utilizzate in conformità con il manuale dell'operatore, soddisfano i relativi requisiti delle Direttive e degli Standard specificati di seguito.

EO СӨЙКЕСТИК МӨЛІМДЕМЕСІ

Біз жоғарыда көрсетілген құрылғылардың пайдалануына нұсқаулығына сәйкес пайдаланылған жағдайда төменде көрсетілген Директивалар мен Стандарттардың тиісті талаптарына жауап беретінін мәлімдейміз.

EG-KONFORMITÄTSEVERKLARING

Hierbij verklaren wij dat de hierboven vermelde machines, mis gebruikt in overeenstemming met de handleiding, voldoen aan de relevante eisen van de hieronder vermelde richtlijnen en normen.

CE-SAMSVARSERKLÆRING

Vi erklærer at maskinene opført over opfylder de relevante kravene i direktiver og standarder opført under dersom de brukes i henhold til bruksanvisningen.

DEKLARACJA ZGODNOŚCI WE

Deklarujemy, że maszyny wymienione powyżej, gdy są używane zgodnie z podręcznikiem użytkownika, spełniają właściwe wymagania Dyrektyw i Standardów, wymienione poniżej.

DECLARAÇÃO DE CONFORMIDADE CE

Declaramos que as máquinas listadas acima, quando utilizadas de acordo com o manual do operador, cumprem os requisitos relevantes das Diretivas e Normas listadas abaixo.

DECLARAȚIE DE CONFORMITATE CE

Declarăm că mașina specificată mai jos, atunci când este utilizată în conformitate cu manualul de exploatare, îndeplinește cerințele relevante ale Directivelor și standardelor specificate mai jos.

ДЕКЛАРАЦИЯ СООТВЕТСТВИЯ ЕС

Мы заявляем, что инструменты, перечисленные выше, при условии использования согласно руководству по эксплуатации, отвечают соответствующим требованиям указанных ниже директив и стандартов.

ES PREHLÁŠENIE O ZHODE

Vyhlasujeme, že stroje uvedené vyššie splňajú relevantné požiadavky smerníc a noriem uvedených nižšie, ak sa používajú podľa návodu na použitie.

IZJAVA ES O SKLADNOSTI

Izjavljamo, da zgoraj omenjeni stroji, ko se uporabljajo skladno z uporabniškim priručnikom, izpolnjujejo relevantne zahteve spodaj omenjenih direktiv in standardov.

EC DEKLARACIJA O USAGLAŠENOSTI

Izjavljujemo da gore navedeni strojevi, ako se koriste u skladu s priručnikom za korisnike, zadovoljavaju relevantne zahteve direktiva i standarda koji se navode dole.

EG-FÖRSÄKRAN OM ÖVERENSSTÄMMELSE

Vi meddelar att maskinen som anges ovan uppfyller de aktuella kraven i de angivna direktiven och standarderna nedan när den används enligt bruksanvisningen.

AB UYGUNLUK BEYANI

Yükanda listelenen makinelerin, kullanici klavuzuna göre kullanildiginda, asagida listelenen Direktiflerin ve Standartların ilgili gereksinimlerini karşiladigini beyan ederiz.

EÜ VASTAVUSDEKLARATSIION

Kinnitame, et eelpool loetletud masinad vastavad alpool loetletud direktiivide ja standardite asjakohastele nõuetele, kui neid kasutatakse vastavalt kasutusjuhendile.

EK ATBILSTĪBAS DEKLARĀCIJA

Mēs apliecinām, ka iepriekšminētās iekārtas, izmantojot tās saskaņā ar operatora rokasgrāmatu, atbilst attiecīgajām tālāk norādītām direktīvu un standartu prasībām.

DEARBHŪ COMHRÉIREACHTA AN CE

Fógairimid go bhfuil na hininnil sa liosta thuas i gcomhréir le riachtanais ábhartha na dTeoracha agus na gCaighdeán sa liosta thíos, ach iad a úsáid de réir an lámhleabhair don oibreoir.

EB ATTIKTIES DEKLARACIJA

Deklaruojame, kad pirmaiau išvardytos mašinos, jei naudojamos pagal naudotojo vadovą, atitinka atitinkamus toliau išvardytų direktyvų ir standartų reikalavimus.

EO DEKLARACIJA ZA СЪОТВЕТСТВИЕ

Декларираме, че изброените по-горе машини, когато се използват в съответствие с Ръководство за оператора, отговарят на съответните изисквания на директивите и стандартите, изброени по-долу.



Signature: *Krondorfer*
Name: Harald Krondorfer
Qualification: V.P. Engineering
Date: 04/1/2023

What is covered

RIDGID® tools are warranted to be free of defects in workmanship and material.

How long coverage lasts

This warranty lasts for the lifetime of the RIDGID® tool. Warranty coverage ends when the product becomes unusable for reasons other than defects in workmanship or material.

How you can get service

To obtain the benefit of this warranty, deliver via prepaid transportation the complete product to RIDGE TOOL COMPANY, Elyria, Ohio, or any authorized RIDGID® AUTHORIZED INDEPENDENT SERVICE CENTER. Pipe wrenches and other hand tools should be returned to the place of purchase.

What we will do to correct problems

Warranted products will be repaired or replaced, at RIDGE TOOL'S option, and returned at no charge, or, if after three attempts to repair or replace during the warranty period the product is still defective, you can elect to receive a full refund of your purchase price.

What is not covered

Failures due to misuse, abuse or normal wear and tear are not covered by this warranty. RIDGE TOOL shall not be responsible for any incidental or consequential damages.

How local law relates to the warranty

Some states do not allow the exclusion or limitation of incidental or consequential damages, so the above limitation or exclusion may not apply to you. This warranty gives you specific rights, and you may also have other rights, which vary, from state to state, province to province, or country to country.

No other express warranty applies

This FULL LIFETIME WARRANTY is the sole and exclusive warranty for RIDGID® products. No employee, agent, dealer, or other person is authorized to alter this warranty or make any other warranty on behalf of the RIDGE TOOL COMPANY.



Full lifetime warranty (garantie légale étendue à la durée de vie du produit, voir conditions de garantie / legal warranty extended to the product lifecycle, see warranty conditions)

For Warranty Information for your World Region visit RIDGID.com

Parts are available online at Store.RIDGID.com

Ridge Tool Company

400 Clark Street
Elyria, Ohio 44035-6001
U.S.A.

Ce qui est couvert

Les outils RIDGID® sont garantis contre tous vices de matériaux et de main d'œuvre.

Durée de couverture

Cette garantie est applicable durant la vie entière de l'outil RIDGID®. La couverture cesse dès lors que le produit devient inutilisable pour raisons autres que des vices de matériaux ou de main d'œuvre.

Pour invoquer la garantie

Pour toutes réparations au titre de la garantie, il convient d'expédier le produit complet en port payé à la RIDGE TOOL COMPANY, Elyria, Ohio, ou bien le remettre à un réparateur RIDGID® indépendant agréé. Les clés à pipe et autres outils à main doivent être ramenés au lieu d'achat.

Ce que nous ferons pour résoudre le problème

Les produits sous garantie seront à la discrétion de RIDGE TOOL, soit réparés ou remplacés, puis réexpédiés gratuitement ; ou si, après trois tentatives de réparation ou de remplacement durant la période de validité de la garantie le produit s'avère toujours défectueux, vous aurez l'option de demander le remboursement intégral de son prix d'achat.

Ce qui n'est pas couvert

Les défaillances dues au mauvais emploi, à l'abus ou à l'usure normale ne sont pas couvertes par cette garantie. RIDGE TOOL ne sera tenue responsable d'aucuns dommages directs ou indirects.

L'influence de la législation locale sur la garantie

Puisque certaines législations locales interdisent l'exclusion des dommages directs ou indirects, il se peut que la limitation ou exclusion ci-dessus ne vous soit pas applicable. Cette garantie vous donne des droits spécifiques qui peuvent être éventuellement complétés par d'autres droits prévus par votre législation locale.

Il n'existe aucune autre garantie expresse

Cette GARANTIE PERPETUELLE INTEGRALE est la seule et unique garantie couvrant les produits RIDGID®. Aucun employé, agent, distributeur ou tiers n'est autorisé à modifier cette garantie ou à offrir une garantie supplémentaire au nom de la RIDGE TOOL COMPANY.

Qué cubre

Las herramientas RIDGID® están garantizadas contra defectos de la mano de obra y de los materiales empleados en su fabricación.

Duración de la cobertura

Esta garantía cubre a la herramienta RIDGID® durante toda su vida útil. La cobertura de la garantía caduca cuando el producto se torna inusable por razones distintas a las de defectos en la mano de obra o en los materiales.

Cómo obtener servicio

Para obtener los beneficios de esta garantía, envíe mediante porte pagado, la totalidad del producto a RIDGE TOOL COMPANY, en Elyria, Ohio, o a cualquier Servicio Centro Independiente Autorizado de RIDGID®. Las llaves para tubos y demás herramientas de mano deben devolverse a la tienda donde se adquirieron.

Lo que hacemos para corregir el problema

El producto bajo garantía será reparado o reemplazado por otro, a discreción de RIDGE TOOL, y devuelto sin costo; o, si aún resulta defectuoso después de haber sido reparado o sustituido tres veces durante el periodo de su garantía, Ud. puede optar por recibir un reembolso por el valor total de su compra.

Lo que no está cubierto

Esta garantía no cubre fallas debido al mal uso, abuso o desgaste normal. RIDGE TOOL no se hace responsable de daño incidental o consiguiente alguno.

Relación entre la garantía y las leyes locales

Algunos estados de los EE.UU. no permiten la exclusión o restricción referente a daños incidentales o consiguientes. Por lo tanto, puede que la limitación o restricción mencionada anteriormente no rija para Ud. Esta garantía le otorga derechos específicos, y puede que, además, Ud tenga otros derechos, los cuales varían de estado a estado, provincia a provincia o país a país.

No rige ninguna otra garantía expresa

Esta GARANTIA VITALICIA es la única y exclusiva garantía para los productos RIDGID®. Ningún empleado, agente, distribuidor u otra persona está autorizado para modificar esta garantía u ofrecer cualquier otra garantía en nombre de RIDGE TOOL COMPANY.

Printed 5/23
ECN001812/03

©2023 Ridge Tool Company
RIDGID and the Emerson logo are registered trademarks of Emerson Electric Co. or its subsidiaries in the US and other countries.
Any other trademarks belong to their respective holders.

944-733-75110
REV. A

RIDGID

EMERSON