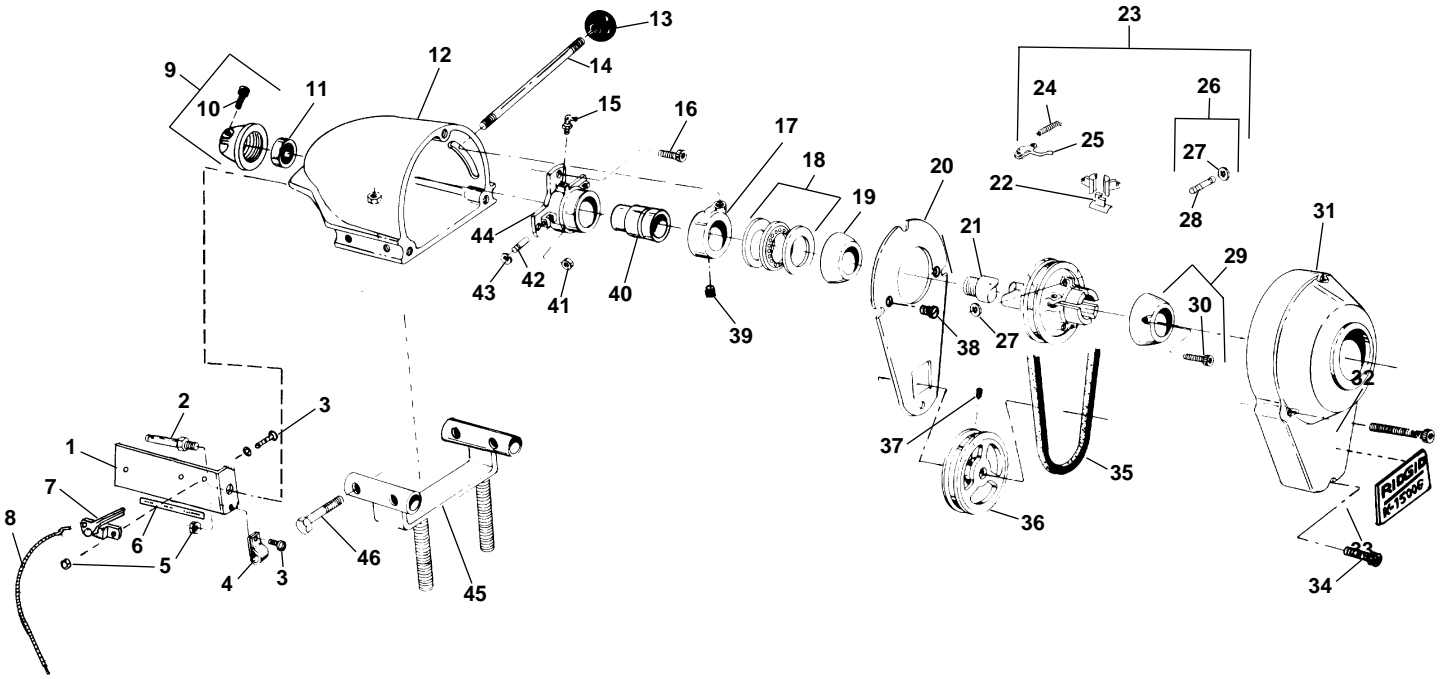


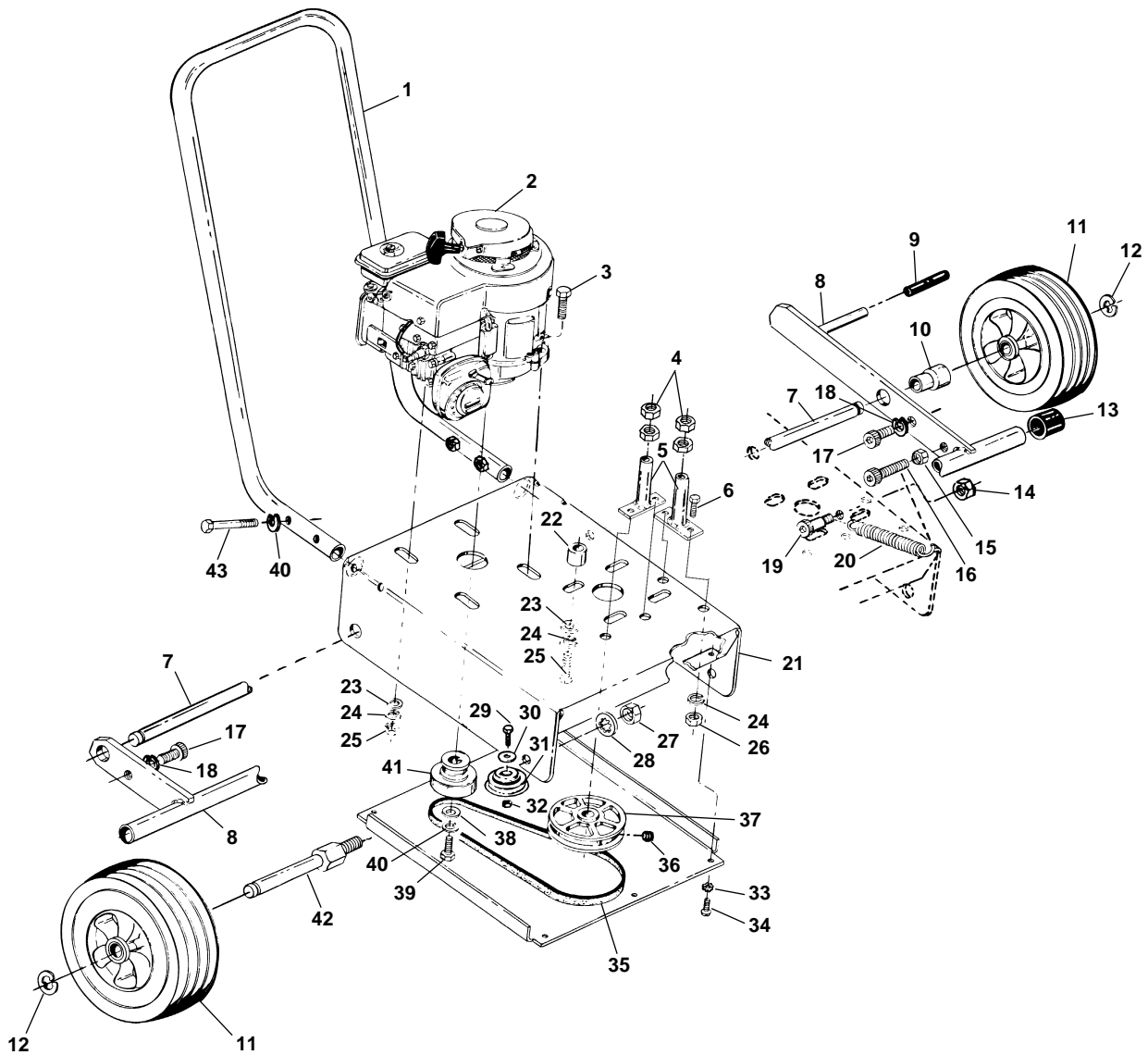
Main Drive and Body Components



**NOTE: Order parts by Catalog Number only.
DO NOT order by Reference Number.**

Ref. No.	Catalog No.	Description	Ref. No.	Catalog No.	Description
1	43692	Splash Guard	24	60155	Spring (3)
2	59580	Guide Hose Pin (2)	25	59530	Rocker Arm Set
3	87975	R.H. Screw 10-24 x 5/8" (4)	26	60150	Rocker Arm Pin w/Clip (3)
4	43697	Cable Clamp (2)	27	78780	E-3562 Retaining Ring (3)
5	87970	Nut 10 - 24 (4)	28	90105	Pin (3)
6	59282	Engine Throttle Decal	29	59500	Nose Piece
7	58937	Lever Assy. - Throttle Control	30	84425	Screw (2)
8	58942	Throttle Cable	31	23547	Front Guard
9	60935	Lock and Adj. Nut (Incl. #7)	32	23652	Soc. Hd. Screw 1/4" x 2 3/4" (3)
10	60910	Soc. Hd. Screw 1/4" - 20 x 5/8"	33	43717	Label
11	60930	Ball Bearing	34	44510	Soc. Hd. Screw 1/4" - 20 x 2"
12	43702	Body	35	43722	V-Belt - Cable
13	59585	Knob	36	43727	Pulley - Cable
14	59575	Clutch Handle	37	60025	Set Screw (2)
15	89815	Grease Fitting	38	60265	Hex Screw 1/4" - 20 x 1/2" (2)
16	68875	F.H. Screw 5/16" - 18 x 1" (3)	39	93560	Pan Screw 1/4" - 20 x 5/8"
17	43707	Clutch Casting	40	84435	Bronze Bushing
18	23677	Thrust Bearing Assembly	41	61015	Roller (2)
19	23572	Clutch Cone	42	23592	Pin (2)
20	43712	Inside Guard	43	34175	Retaining Ring (2)
21	23562	Pulley and Shaft Assembly	44	45247	Main Bearing with Bronze Bushing
22	59325	7/8" Jaw Assembly	45	43762	Mounting Bracket
	59320	1 1/4" Jaw Assembly	46	43757	Hex Head Screw (4)
23	60145	Rocker Arm Kit			

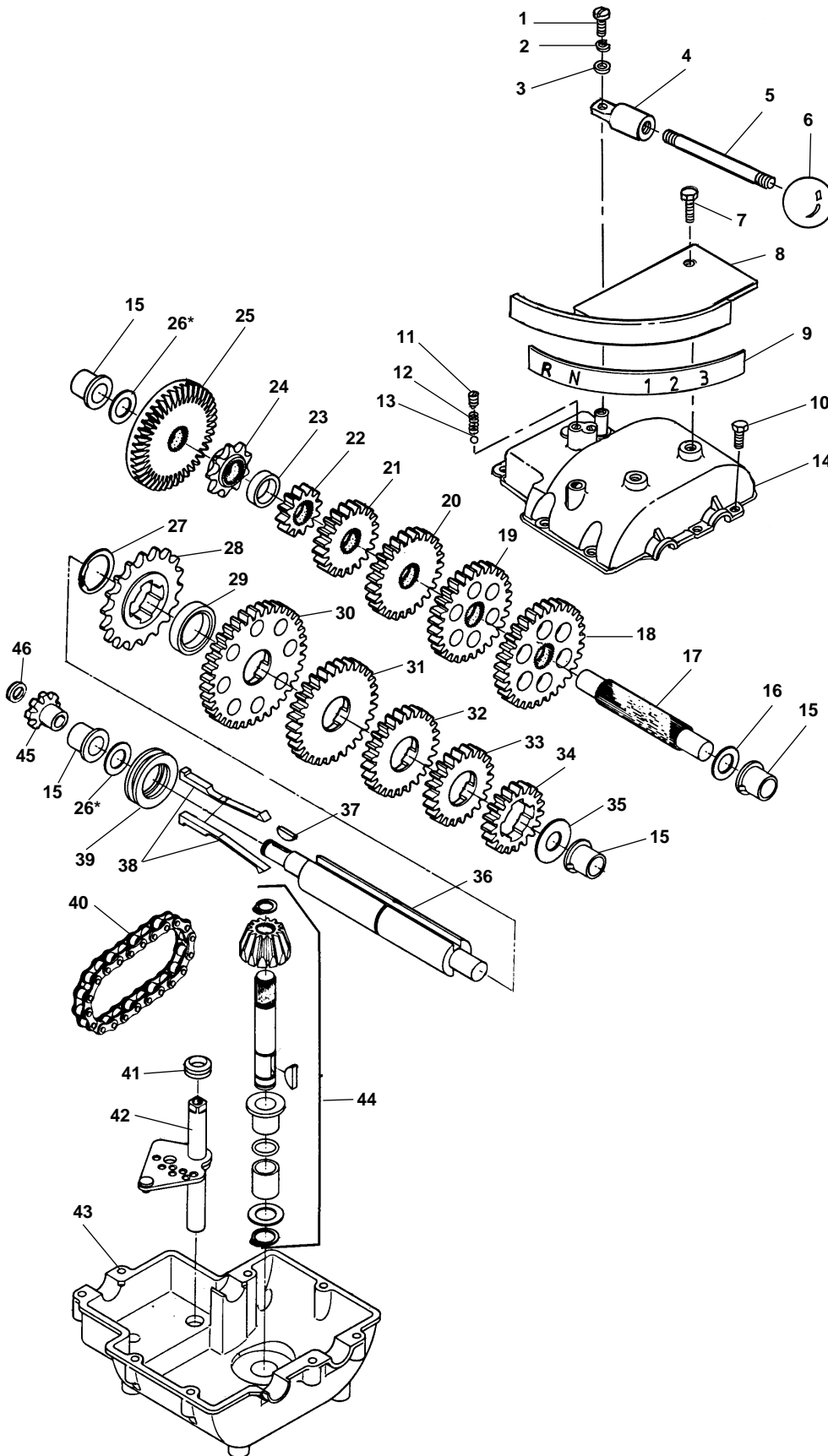
Main Drive and Body Components



**NOTE: Order parts by Catalog Number Only
DO NOT order by Reference Number.**

Ref. No.	Catalog No.	Description	Ref. No.	Catalog No.	Description	Ref. No.	Catalog No.	Description
1	43752	Handle Assembly	16	60805	Hex Hd. Screw $\frac{3}{8}$ " - 16 x $1\frac{1}{2}$ " (2)	31	66962	Idler Pulley
2	66977	Engine/6HP	17	96900	SHCS $\frac{3}{8}$ " - 16 x $\frac{1}{2}$ " (2)	32	43947	$\frac{3}{8}$ " Lock Nut
3	60515	Hex Hd. Screw $\frac{5}{16}$ " - 18 x $1\frac{1}{4}$ " (4)	18	43807	Lock Washer $\frac{3}{8}$ " (2)	33	61310	Lock Washer #10 (6)
4	43827	Hex Nut 1" - 8 (4)	19	84680	Shld Screw $\frac{5}{16}$ " x $\frac{1}{2}$ " (2)	34	60000	Rd. Head Screw 10-32 x $\frac{3}{8}$ " (6)
5	43822	Mounting Bracket Supports (2)	20	43812	Extension Spring (2)	35	60130	"V" Belt/5HP
6	61130	Hex Hd. Screw $\frac{5}{16}$ " - 18 x $\frac{3}{4}$ " (4)	21	43817	Base Assembly	35	66967	"V" Belt/6HP
7	43842	Rear Axle	22	43852	Spacer-Trans. (4)	36	60025	Set Screw
8	43787	Stabilizer Assembly	23	60060	Flat Washer $\frac{5}{16}$ " (8)	37	43832	Pulley-Trans
9	61605	Handle Grip	24	61445	Ext. Lock Washer $\frac{5}{16}$ " (12)	38	61275	Washer $\frac{3}{8}$ "
10	43792	Spacer-Axle (2)	25	43847	Hex Nut $\frac{5}{16}$ " - 18 x $\frac{1}{12}$ " (4)	39	61435	Hex Screw $\frac{3}{8}$ " x 1- $\frac{1}{4}$ "
11	23597	Wheel (4)	26	60230	Hex Nut $\frac{5}{16}$ " - 18 (8)	40	60085	Lock Washer $\frac{3}{8}$ " (4)
12	60050	Retaining Ring (4)	27	61455	Hex Nut $\frac{1}{2}$ " -13 (2)	41	61380	Clutch
13	23607	End Cap (2)	28	60090	Lock Washer $\frac{1}{2}$ " (2)	42	43837	Front Axle
14	80370	Hex Nut $\frac{1}{4}$ - 20 (2)	29	23617	$\frac{3}{8}$ " - 16 x 2" Carriage Screw	43	76870	Hex Head Screw $\frac{3}{8}$ " - 16 x $2\frac{1}{4}$ " (5)
15	43747	Lock Nut $\frac{3}{8}$ " (4)	30	59970	$\frac{3}{8}$ " Flat Washer			

Transmission



NOTE: Order parts by Catalog Number only. DO NOT order by Reference Number.

Ref. No.	Catalog No.	Description
—	40407	Transmission
1	61540	F.H. Screw, 1/4" - 28 x 5/8"
2	60075	Lock Washer, 1/4"
3	84720	Flat Washer, 1/4"
4	43772	Shift Adapter
5	93630	Shift Handle
6	59585	Knob
7	60010	Hex Bolt, 5/16" - 18 x 1/2"
8	43777	Indicator Bracket
9	47472	Shift Indicator Decal
10	83500	Screw, 1/4" - 20 x 3/4" (8)
11	46395	Set Screw, 1/4" - 20 x 1/2" (2)
12	40437	Detente Spring (2)
13	84650	Detente Ball (2)
14	40442	Upper Housing
15	40447	Bearing Flange (4)
16	40452	Washer .640 x 1.00 x .060
17	40457	Drive Shaft
18	40462	Spur Gear 31T
19	40467	Spur Gear 28T
20	40472	Spur Gear 25T
21	40477	Spur Gear 20T
22	40482	Spur Gear 15T
23	40487	Spacer
24	40492	Sprocket 10T
25	40497	Bevel Gear 42T
26*	40502	Shim Kit
27	40507	Retaining Ring
28	40512	Sprocket 14T
29	40517	Spacer
30	40522	Spur Gear 35T
31	40527	Spur Gear 30T
32	40532	Spur Gear 25T
33	40537	Spur Gear 22T
34	40542	Spur Gear 19T
35	40547	Washer .640 x 1.37 x .061
36	40552	Output Shaft
37	84595	No. 4 Woodruff Key
38	40557	Clutch Key
39	40562	Clutch Collar
40	84585	Chain
41	40567	V-Ring
42	40572	Shifter Assembly
43	40577	Lower Housing
44	40582	Input Shaft Assembly
45	84470	Sprocket
46	84465	Retaining Ring
—	50277	Torque Wrench
—	50282	Socket 1" x 1/2" Drive

* Use in various combinations to maintain proper clearances.