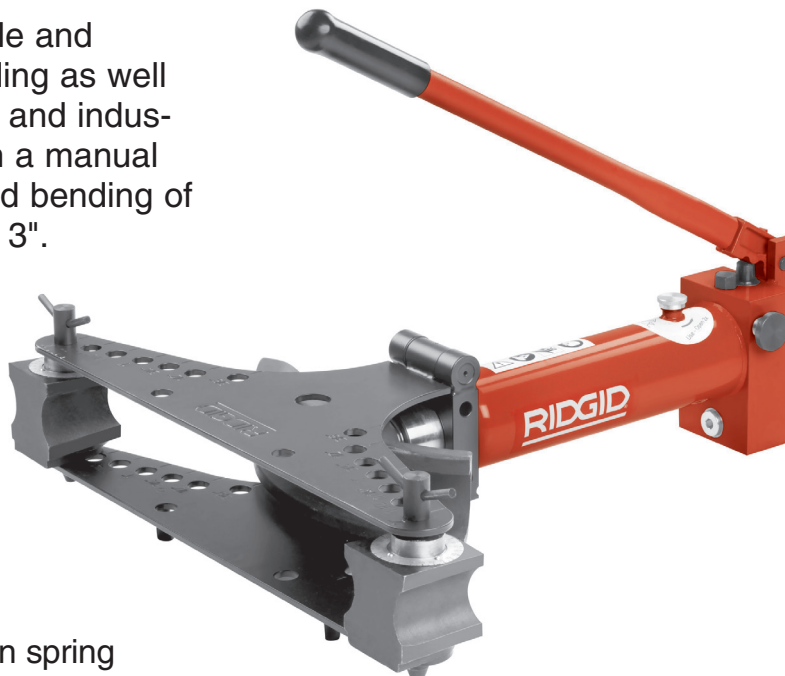


Tip-Up Wing Hydraulic Bender



RIDGID® Hydraulic Benders are versatile and portable benders, ideal for on-site bending as well as machine construction, boiler making and industrial applications in general. Available in a manual configuration designed for precision cold bending of standard gas pipe and black pipe up to 3".

- Durable piston seals prevent premature leaks and maximize uptime.
- Longer cylinder stroke per pump and optimized hand force minimizes operator fatigue.
- Bending angle indicators reduce starts, stops and pipe removal to take measurements.
- Single circuit hydraulic system with return spring for better control of the ram.



Ordering Information

Catalog No.	Model No.	Description	Capacity	Voltage	Shipping Wt.	
					kg	lb.
36518	HB382	Tip-Up Wing Hydraulic Bender (Manual)	3/8"-2"	—	82	181
36523	HB383	Tip-Up Wing Hydraulic Bender (Manual)	3/8"-3"	—	182	401

Formers

Standard Gas Pipe/Black Pipe (DIN 2440, BS 1387, ANSI A53)

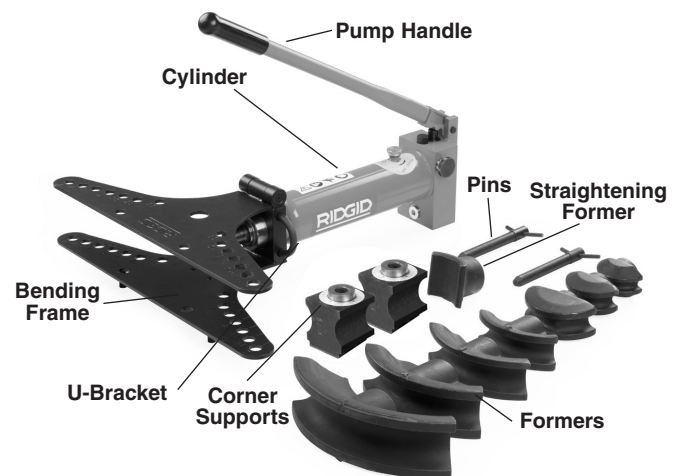
Catalog No.	Description	Size		Bend Radius in (mm)	Shipping Wt.		Std. with Bender	
		Inch	Metric O.D.		kg	lb.	36518	36523
37218	Former for Gas Pipe/Black Pipe	1/4	13.5	2.38 (60)	–	–	•	•
37223	Former for Gas Pipe/Black Pipe	3/8	17.2	1.77 (45)	1.1	2.4	•	•
37228	Former for Gas Pipe/Black Pipe	1/2	21.3	1.97 (50)	1.4	3.1	•	•
37233	Former for Gas Pipe/Black Pipe	3/4	26.9	2.56 (65)	3.0	6.6	•	•
37238	Former for Gas Pipe/Black Pipe	1	33.7	3.94 (100)	2.4	5.3	•	•
37243	Former for Gas Pipe/Black Pipe	1 1/4	42.4	5.12 (130)	2.5	5.5	•	•
37248	Former for Gas Pipe/Black Pipe	1 1/2	48.3	5.91 (150)	4.7	10.4	•	•
37253	Former for Gas Pipe/Black Pipe	2	60.3	7.87 (200)	6.5	14.4	•	•
37258	Former for Gas Pipe/Black Pipe	2 1/2	76.1	12.60 (320)	17.3	38.2	•	•
37263	Former for Gas Pipe/Black Pipe	3	88.9	14.96 (380)	27.0	59.5	•	•

Components

Catalog No.	Description	Shipping Wt.	
		kg	lb.
37273	Support Corner, HB382	3.1	6.8
37278	Support Corner, HB383	10	20.2
37293	Pin Fixing, HB382	0.7	1.5
37298	Pin Fixing, HB383	0.8	1.8
37603	U-Bracket, HB382	0.5	1.1
37838	U-Bracket, HB383	0.7	1.5

Accessories

Catalog No.	Description	Shipping Wt.	
		kg	lb.
37813	Turntable Tripod (Not suitable for electrical)	7.5	16.53
37618	Straightener	1.0	2.2
37828	Foot Wheels	2.2	4.8
37818	Hydraulic Oil (not available in all areas)	2.5 L	



Distributor

For the complete selection of the Ridge Tool product line, please refer to the Ridge Tool Catalog or www.RIDGID.com.