

# KJ-1350/KJ-1750 Water Jetting Machines



[RIDGID.com/qr/kj1350](http://RIDGID.com/qr/kj1350)



[RIDGID.com/qr/kj1750](http://RIDGID.com/qr/kj1750)

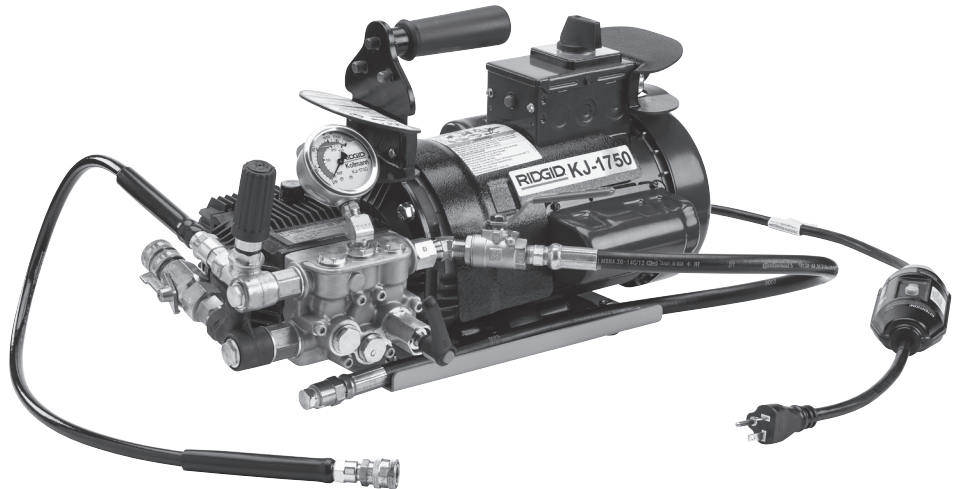
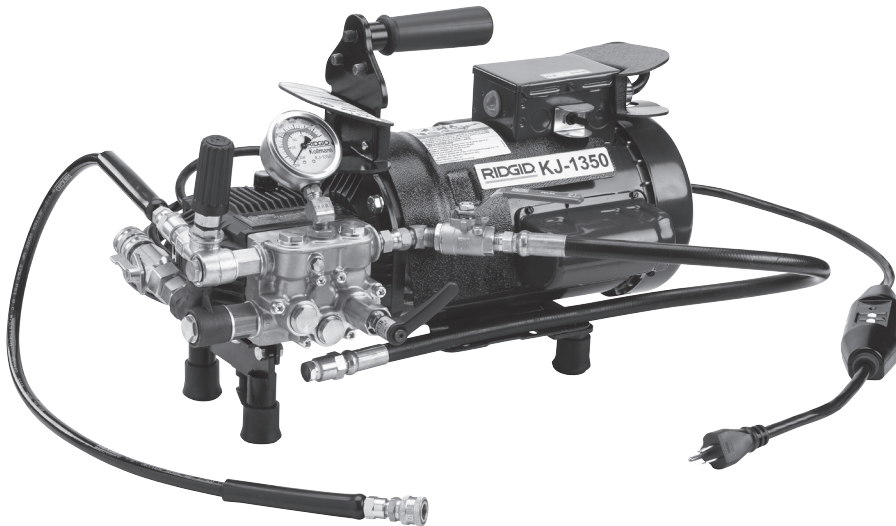
- Français – 15
- Castellano – 31

## Table of Contents

<b>Recording Form For Machine Serial Number</b> .....	1
<b>Safety Symbols</b> .....	2
<b>General Power Tool Safety Warnings</b>	
Work Area Safety.....	2
Electrical Safety.....	2
Personal Safety.....	3
Power Tool Use And Care.....	3
Service.....	3
<b>Water Jetter Safety Warnings</b>	
Jetter Safety.....	3
Grounding Instructions.....	4
Ground Fault Circuit Interrupter Protection.....	4
Extension Cords.....	4
<b>RIDGID® Contact Information</b> .....	5
<b>Description</b> .....	5
<b>Specifications</b> .....	5
Standard Equipment.....	6
<b>Machine Assembly</b> .....	6
Instructions for Pump.....	6
Transport Carts.....	6
<b>Pre-Operation Inspection</b> .....	6
<b>Machine and Work Area Set-Up</b> .....	7
Jetter Nozzle Selection Chart.....	8
Jetter Hose Selection Chart.....	8
<b>Operating Instructions</b> .....	9
Start-Up and Pressure Adjustment.....	9
Pulse Control Valves.....	9
Normal Jetting.....	10
Using the Pulse Mode to Negotiate Bends and Traps.....	10
Negotiating Difficult Bends (w/KJ-1350-2 and KJ-1750).....	10
Encountering Blockages.....	10
“Jet-Cleaning” or “Jetting” the Line.....	11
Pressure Wash Package.....	11
Washer Operation.....	11
<b>Optional Equipment</b> .....	12
Jetter Nozzles and Hoses.....	12
Jetter Accessories.....	12
H-5 Mini Hose Reel.....	12
<b>Machine Storage</b> .....	12
<b>Maintenance Instructions</b>	
Inlet Filter Screen.....	12
Jetter Nozzle Orifice.....	12
Jetter Flushing.....	12
Winterizing.....	12
Service and Repair.....	13
Troubleshooting.....	13
<b>Disposal</b> .....	13
<b>Declaration of Conformity</b> .....	Inside Back Cover
<b>Lifetime Warranty</b> .....	Back Cover
Original Instructions - English	

# Water Jetters

## KJ-1350 & KJ-1750 Water Jetters



### **⚠ WARNING!**

Read this Operator's Manual carefully before using this tool. Failure to understand and follow the contents of this manual may result in electrical shock, fire and/or serious personal injury.

#### **KJ-1350 & KJ-1750 Jetter Machines**


Record Serial Number below and retain product serial number which is located on nameplate.

Serial  
No.

--	--

## Safety Symbols

In this operator's manual and on the product, safety symbols and signal words are used to communicate important safety information. This section is provided to improve understanding of these signal words and symbols.


 This is the safety alert symbol. It is used to alert you to potential personal injury hazards. Obey all safety messages that follow this symbol to avoid possible injury or death.


**⚠ DANGER** DANGER indicates a hazardous situation which, if not avoided, will result in death or serious injury.


**⚠ WARNING** WARNING indicates a hazardous situation which, if not avoided, could result in death or serious injury.


**⚠ CAUTION** CAUTION indicates a hazardous situation which, if not avoided, could result in minor or moderate injury.

**NOTICE** NOTICE indicates information that relates to the protection of property.

 This symbol means read the operator's manual carefully before using the equipment. The operator's manual contains important information on the safe and proper operation of the equipment.

 Always wear properly rated eye protection such as safety goggles or face shield while spraying. (Safety glasses do not provide full protection.)

 This symbol indicates the risk of high pressure water directed at body parts, causing skin puncture and injection injuries.

 This is information symbol and indicates the product information available (including operators' manual) by scanning the adjacent QR code.



This symbol means high pressure jets can be dangerous if subject to misuse. The jet must not be directed at persons, live electrical equipment or the appliance itself.



This symbol indicates the risk of the electrical shock.



This symbol indicates the risk of the jetter hose whipping, and causing striking or injection injuries.



This symbol indicates that the marked equipment exceeds 55 lbs (25kg). Exercise caution when lifting or moving to reduce the risk of injury.

## General Power Tool Safety Warnings

### **⚠ WARNING**

**Read all safety warnings, instructions, illustrations and specifications provided with this power tool. Failure to follow all instructions listed below may result in electric shock, fire and/or serious injury.**

### **SAVE ALL WARNINGS AND INSTRUCTIONS FOR FUTURE REFERENCE!**

The term "power tool" in the warnings refers to your mains-operated (corded) power tool or battery-operated (cordless) power tool.

### Work Area Safety

- **Keep work area clean and well lit.** Cluttered or dark areas invite accidents.
- **Do not operate power tools in explosive atmospheres, such as in the presence of flammable liquids, gases, or dust.** Power tools create sparks which may ignite the dust or fumes.
- **Keep children and by-standers away while operating a power.** Distractions can cause you to lose control.

## Electrical Safety

- **Power tool plugs must match the outlet. Never modify the plug in any way. Do not use any adapter plugs with earthed (grounded) power tools.** Unmodified plugs and matching outlets will reduce risk of electric shock.
- **Avoid body contact with earthed or grounded surfaces such as pipes, radiators, ranges and refrigerators.** There is an increased risk of electrical shock if your body is earthed or grounded.
- **Do not expose power tools to rain or wet conditions.** Water entering a power tool will increase the risk of electrical shock.
- **Do not abuse the cord. Never use the cord for carrying, pulling or unplugging the power tool. Keep cord away from heat, oil, sharp edges or moving parts.** Damaged or entangled cords increase the risk of electric shock.
- **When operating a power tool outdoors, use an extension cord suitable for outdoor use.** Use of a cord suitable for outdoor use reduces the risk of electric shock.

- **If operating a power tool in a damp location is unavoidable, use a ground fault circuit interrupter (GFCI) protected supply.** Use of a GFCI reduces the risk of electric shock.

### Personal Safety

- **Stay alert, watch what you are doing and use common sense when operating a power tool. Do not use a power tool while you are tired or under the influence of drugs, alcohol, or medication.** A moment of inattention while operating power tools may result in serious personal injury.
- **Use personal protective equipment. Always wear eye protection.** Protective equipment such as dust mask, non-skid safety shoes, hard hat, or hearing protection used for appropriate conditions will reduce personal injuries.
- **Prevent unintentional starting. Ensure the switch is in the OFF position before connecting to power source and/or battery pack, picking up or carrying the tool.** Carrying power tools with your finger on the switch or energizing power tools that have the switch ON invites accidents.
- **Remove any adjusting key or wrench before turning the power tool ON.** A wrench or a key left attached to a rotating part of the power tool may result in personal injury.
- **Do not overreach. Keep proper footing and balance at all times.** This enables better control of the power tool in unexpected situations.
- **Dress properly. Do not wear loose clothing or jewelry. Keep your hair, and clothing away from moving parts.** Loose clothes, jewelry, or long hair can be caught in moving parts.
- **Do not let familiarity gained from frequent use of tools allow you to become complacent and ignore tool safety principles.** A careless action can cause severe injury within a fraction of a second.

### Power Tool Use and Care

- **Do not force power tool. Use the correct power tool for your application.** The correct power tool will do the job better and safer at the rate for which it is designed.
- **Do not use power tool if the switch does not turn it ON and OFF.** Any power tool that cannot be controlled with the switch is dangerous and must be repaired.
- **Store idle power tools out of the reach of children and do not allow persons unfamiliar with the power tool or these instructions to operate the**

**tool.** Power tools are dangerous in the hands of untrained users.

- **Maintain power tools and accessories. Check for misalignment or binding of moving parts, breakage of parts and any other condition that may affect the power tool's operation. If damaged, have the power tool repaired before use.** Many accidents are caused by poorly maintained power tools.
- **Keep cutting tools sharp and clean.** Properly maintained cutting tools with sharp cutting edges are less likely to bind and are easier to control.
- **Use the power tool, accessories and tool bits etc. in accordance with these instructions, taking into account the working conditions and the work to be performed.** The use of the power tool for operations different from those intended could result in a hazardous situation.
- **Keep handles and grasping surfaces dry, clean and free from oil and grease.** Slippery handles and grasping surfaces do not allow for safe handling and control of the tool in unexpected situations.

### Service

- **Have your power tool serviced by a qualified repair person using only identical replacement parts.** This will ensure that the safety of the power tool is maintained.

## Water Jetter Safety Warnings

### **⚠ WARNING**

**This section contains important safety information that is specific to these machines.**

**Read these precautions carefully before using these Water Jetting Machines to reduce the risk of electrical shock or other serious personal injury.**

### **SAVE ALL WARNINGS AND INSTRUCTIONS FOR FUTURE REFERENCE!**

Keep this manual with machine for use by the operator.

### Water Jetter Safety

- **Never operate the jetter with the hose end outside of the drain.** Hose can whip, causing striking injuries and spray can penetrate skin and cause serious injury.

**⚠ WARNING – Risk of Injection or Injury – Do not discharge stream at persons.** High pressure water can inject under skin resulting in serious injury including amputation Do not direct spray at people or animals.

- **High pressure hoses, fittings and couplings are important for the safety of the appliance.** Use only hoses, fittings and couplings recommended by the manufacturer.
- **Do not operate jetter above pressure rating or 140°F (inlet water temperature).** This increases the risk of injury, including burns, and damage to the jetter.
- **Know how to stop the product and bleed pressures quickly.** Be thoroughly familiar with the controls.
- **Jetter shall not be used by children or untrained personnel.** Close supervision is necessary when using the jetter near children.
- **During use of high pressure cleaners, aerosols may be formed.** Be thoroughly familiar with the controls.
- **Risk of eye injury. Spray can splash back or propel objects.** Always wear properly rated eye protection such as safety goggles or face shield while spraying. (Safety glasses do not provide full protection.)
- **Always use appropriate personal protective equipment while handling and using drain cleaning equipment.** Drain may contain chemicals, bacteria and other substances that may be toxic, infectious, cause burns or other issues. Appropriate personal protective equipment always includes eye protection and gloves, and may also include equipment such as latex or rubber gloves, protective clothing, respirators, and steel toed footwear.
- **Practice good hygiene. Use hot soapy water to wash hands and other body parts exposed to drain contents after handling or using drain cleaning equipment.** Do not eat or smoke while operating or handling drain cleaning equipment. This will help prevent contamination with toxic or infectious material.
- **Do not spray toxic or flammable liquids.** This will reduce the risk of burns, fire, explosion or other injury.
- **If connection is made to a potable water system, the system shall be protected against backflow.** Water that has flowed through backflow preventer is considered to be non-potable.
- **Never clean the machine using its own spray.** High pressure spray may damage machine components.
- **Do not spray electrical apparatus or wiring.** This reduces the risk of electrical shock.
- **Read and understand this manual, and the warnings and instructions for all equipment being used with this tool before operating.** Failure to

follow all warnings and instructions may result in property damage and/or serious injury.

### Grounding Instructions

- **This product must be grounded. If it should malfunction or breakdown, grounding provides a path of least resistance for electric current to reduce the risk of electric shock.** This product is equipped with a cord having an equipment-grounding conductor and a grounding plug. The plug must be plugged into an appropriate outlet that is properly installed and grounded in accordance with all local codes and ordinances.

**⚠ DANGER** Improper connection of the equipment-grounding conductor can result in a risk of electrocution. Check with qualified electrician or service personnel if you are in doubt as to whether the outlet is properly grounded. Do not modify the plug provided with the product – if it will not fit the outlet, have a proper outlet installed by a qualified electrician. Do not use any type of adaptor with this product.

- **Grounded tools must be plugged into an outlet, properly installed and grounded in accordance with all codes and ordinances. Never remove the grounding plug or modify the plug in any way. Do not use any adapter plugs. Check with a qualified electrician if you are in doubt as to whether the outlet is properly grounded.** If the tool should electrically malfunction or break down, grounding provides a low resistance path to carry electricity away from the user.

### Ground Fault Circuit Interrupter Protection

- **This pressure washer is provided with a Class A ground-fault circuit-interrupter (GFCI) built into the plug of the power-supply cord.** This device provides additional protection from the risk of electric shock. Should replacement of the plug or cord become necessary, use only identical replacement parts that include Class A GFCI protection.
- **Before using, test the Ground Fault Circuit Interrupter (GFCI) provided with the power cord to insure the GFCI is operating properly.** Damaged GFCI increases risk of electrical shock.

### Extension Cords

- **Use only 3-wire extension cords that have 3-prong grounding-type plugs and 3-pole cord connectors that accept the plug from the product.**
- **Use only extension cords that are intended for outdoor use.** These extension cords are identified

by a marking "Acceptable for use with outdoor appliances; store indoors while not in use."

- **Use only extension cords having an electrical rating not less than the rating of the product.**
- **Do not use damaged extension cords.** Examine extension cord before using and replace if damaged. Do not abuse extension cord and do not yank on any cord to disconnect. Keep cord away from heat and sharp edges.
- **Always disconnect the extension cord from the receptacle before disconnecting the product from the extension cord.**

**⚠ WARNING** To reduce the risk of electrocution, keep all connections dry and off the ground. Do not touch plug with wet hands

- **Extension cords are not recommended unless they are plugged into a Ground Fault Circuit Interrupter (GFCI) found in circuit boxes or outlet receptacles.** The GFCI on the machine power cord will not prevent electrical shock from the extension cords.

## RIDGID Contact Information

If you have any question concerning this RIDGID® product:

- Contact your local RIDGID® distributor.
- Visit RIDGID.com to find your local RIDGID contact point.
- Contact Ridge Tool Technical Service Department at ProToolsTechService@Emerson.com, or in the U.S. and Canada call 844-789-8665.

## Description

The RIDGID® KJ-1350 and KJ-1750 are portable jetters designed to use the combination of water pressure and flow to clear grease and soft blockages out of 1¼" to 4" drain lines. The Jetters can be either hand carried or combined with a two wheeled cart and hose reel for transporting.

The KJ-1350 has a 1½ HP electrical motor with a 1350 PSI pressure rating and a 1.4 GPM flow rate. It is designed for residential and light commercial applications.

The KJ-1750 has 2 HP motor with a 1750 PSI pressure rating and a 1.4 GPM flow rate. It is designed for heavy commercial and industrial applications.

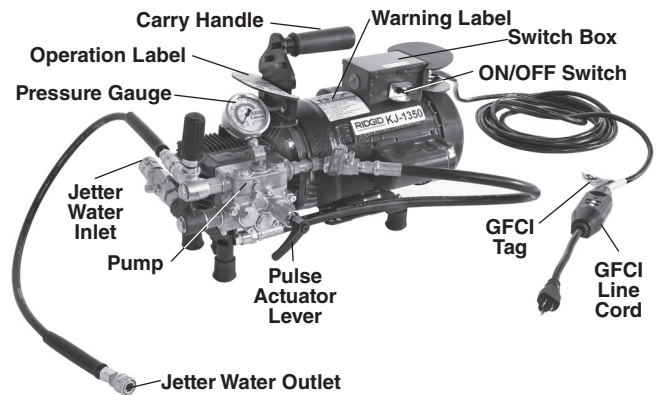


Figure 1A – Water Jetter (KJ-1350 Shown)

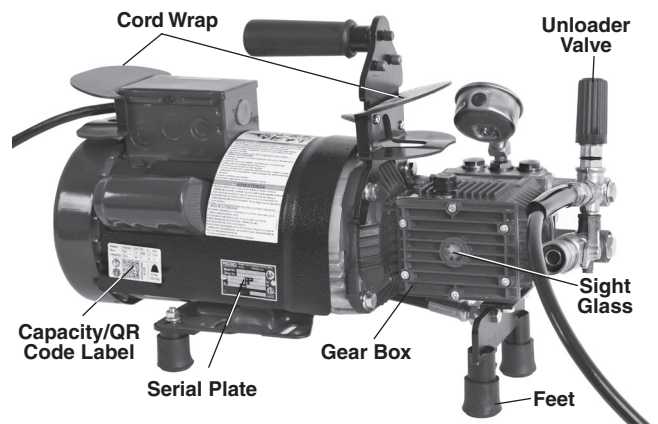


Figure 1B – Water Jetter (KJ-1350 Shown)

## Specifications

### KJ-1350

Line Capacity .....	Recommended for 1¼" to 4" drain lines through 200 feet.
Motor .....	1½ HP @ 1725 RPM 14 amps
Voltage .....	120V
Pump .....	Duplex Plunger
Pressure .....	1350 PSI
Flow Rate .....	1.4 GPM
Weight (jetter only) .....	67 lbs. (30,5 kgs)

### KJ-1750

Line Capacity .....	Recommended for 1¼" to 4" drain lines through 200 feet.
Motor .....	2 HP @ 1725 RPM 17 amps
Voltage .....	120V
Pump .....	Duplex Plunger
Pressure .....	1750 PSI
Flow Rate .....	1.4 GPM
Weight (jetter only) .....	75 lbs. (34,0 kgs)

## For Professional Use Only

## Standard Equipment

All Jetters come with

- Appropriate Jetter Nozzles
- Nozzle Cleaning Tool

See the *RIDGID* catalog for specific equipment supplied with each catalog number.

**NOTICE** This machine is made to clean drains. If properly used it will not damage a drain that is in good condition and properly designed, constructed and maintained. If the drain is in poor condition or not properly designed, constructed or maintained, the drain cleaning process may not be effective or could cause damage to the drain. The best way to determine the condition of a drain before cleaning is through visual inspection with a camera. Improper use of this jetting machine can damage the jetter and the drain. This machine may not clear all blockages.

## Machine Assembly

### ⚠ WARNING

To prevent serious injury during use and prevent machine damage, follow these procedures for proper assembly.

### Instructions for Pump

Remove plug in pump and replace with dipstick/breather cap. Check the pump oil level (jetter is shipped with oil). If oil is low, fill with SAE 30W non-detergent oil.

### Transport Carts

#### H-10 Cart

The two-wheeled cart has been designed to accept the KJ-1350 and the KJ-1350-2 without the need of tools. Lift and slide the jetter onto the cart making sure the one end engages the cart and on the other end, the post inserts into the receptacle (*Figure 2A*). Tighten the T-handle to lock the jetter down. An adapter kit is available to mount the KJ-1750 on the H-10.

The hose reel and 100 feet of 1/4" ID jetter hose mounts to the receptacle closest to the handle (*Figure 2B*). Place the post on the reel into the socket and tighten the T-handle.

The length of the H-10 transport cart can be shortened for storage or lengthened by loosening two T-handles on the rails and sliding the handle in or out.

**⚠ WARNING** Make sure all T-handles are fully tightened prior to transporting or lifting.

#### H-30 Cart and Hose Reel

The larger H-30 Cart and Hose Reel is designed to ac-

cept the KJ-1750 without the need of tools. Lift the jetter onto the deck and place over the locator pins. Hold in place and attach front and back clips to jetter base. An adapter kit is available to mount the KJ-1350's to the H-30.

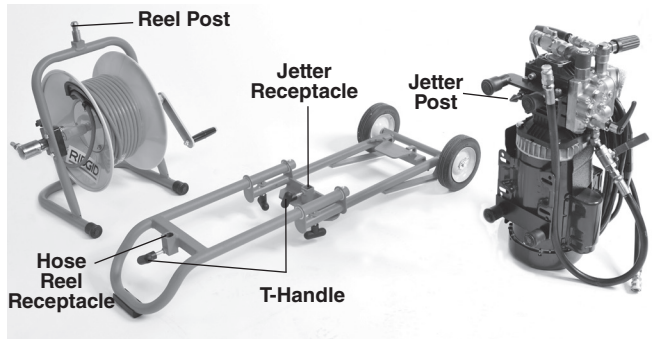


Figure 2A – Water Jetter, H-10 Cart and Hose Reel

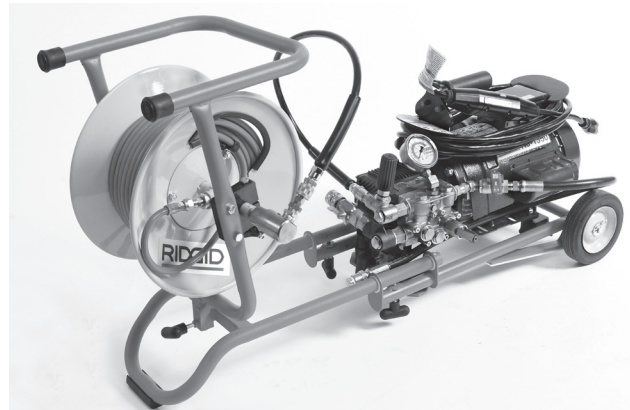
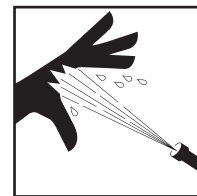


Figure 2B – Water Jetter with H-10 Cart and Hose Reel

## Pre-Operation Inspection

### ⚠ WARNING



**Before each use, inspect your water jetter and correct any problems to reduce the risk of serious injury from high pressure water and other causes and prevent jetter damage.**

**Always wear safety glasses, gloves and other appropriate protective equipment when inspecting your jetter to protect against chemicals and bacteria on the equipment.**

1. Check pump oil level. If low, fill with a SAE 30 weight non-detergent oil.

**NOTE!** Jetter unit should be stored base down. Never



store in up-right position as oil from pump will leak from reservoir.

- Inspect the Jetter for any broken, missing, misaligned or binding parts as well as any other conditions which may affect the safe and normal operation of the machine. If any of these conditions are present, do not use the Jetter until any problem has been repaired.
- Inspect the power cord, ground fault circuit interrupter (GFCI) and plug for damage. If the plug has been modified, is missing the grounding pin or if the cord is damaged, do not use the jetter until the cord has been replaced.

**⚠ WARNING** When replacing cord, use only identical replacement parts that includes GFCI protection.

- Check inlet filter screen for debris that can restrict water flow into the pump resulting in poor performance. If filter screen is dirty or clogged, remove, clean and replace.
- Use accessories that are designed for your Jetter and meet the needs of your application. The correct accessories allow you to do the job successfully and safely. Accessories suitable for use with other equipment may be hazardous when used with this machine.
- Clean any oil, grease or dirt from all equipment handles and controls. This reduces the risk of injury due to a tool or control slipping from your grip.
- Check the jetter nozzle orifices for debris. If an orifice is blocked, use nozzle cleaning tool to clear and remove debris.
- Inspect hoses for wear and damage. Hoses should be replaced when they become damaged.

**⚠ WARNING** Damaged hoses can burst causing serious injury. Only use hoses whose pressure rating meets or exceeds that of the jetter.

## Machine and Work Area Set-Up

### ⚠ WARNING



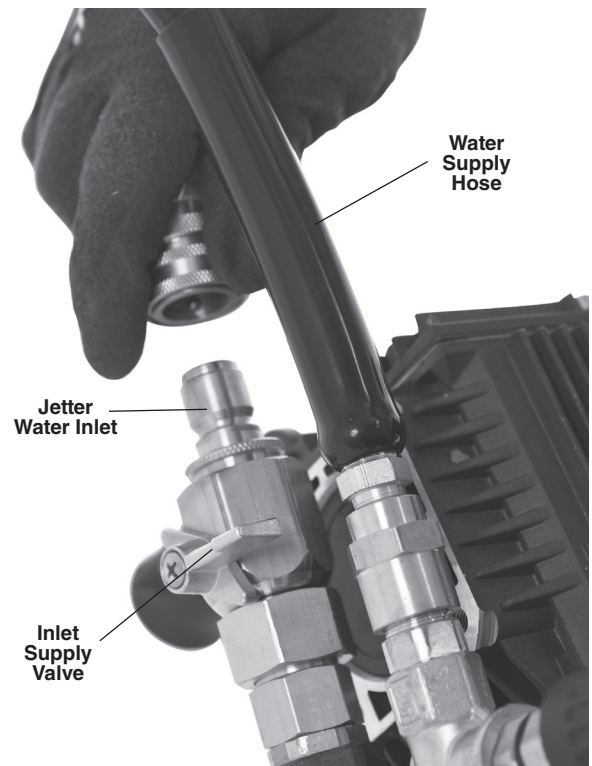
**Always wear safety glasses, gloves and other appropriate protective equipment when setting up your jetter to protect against chemicals and bacteria on the equipment. Rubber soled, non-slip shoes can help prevent slipping on wet surfaces.**

**Set up the jetter and work area according to these procedures to reduce the risk of injury from high pressure water, chemical burns, infections, electric shock and other causes, and prevent jetter damage.**

- Check work area for:
  - Adequate lighting.
  - No flammable liquids, vapors or dust that may ignite.
  - 20 amp grounded electrical outlet.
  - Clear path to the electrical outlet that does not contain any sources of heat or oil, sharp edges or moving parts that may damage electrical cord.
  - Dry place for machine and operator. Do not use the machine while standing in water.
  - Water supply.

**NOTE!** If a connection is made to a potable water system, the system should be protected against backflow in accordance with all local codes and ordinances.

- Connect the quick coupling fitting to the water supply hose. Connect water supply hose to the jetter inlet and close the inlet supply valve. (Figure 3)



**Figure 3 – Connect Water Supply Hose to Jetter. Close Inlet Supply Valve (Shown In Closed Position.)**

- Connect the other end of the water supply hose to the water faucet and turn the faucet on. Make sure there

are no kinks or unnecessary bends in the supply hose.

**⚠ CAUTION** Hot water improves the jetter’s performance, particularly when clearing grease blockages. Limit water temperature to below 140°F.

4. Connect a jetter hose to the jetter’s outlet quick coupling on the end of the connection hose. (*Refer to Jetter Hose Selection Chart.*)
5. If a hose reel is used, attach connection hose to plug fitting on hose reel.
6. Insert jetter hose 6" – 8" into drain without a jetter nozzle.
7. Open the inlet supply valve and run water through the jetter and hoses with unit OFF.
8. Continue to run water through the jetter until all air has been purged.
9. Close the inlet supply valve.

NOTE! Both the KJ-1350’s and KJ-1750 Jettets have check valves for back flow prevention.

10. Attach a jetter nozzle to the jet hose. (*Refer to Jetter Nozzle Selection Chart.*) Hand-tighten for a snug fit. Over-tightening can interfere with water flow through the nozzle orifices causing reduced flow and poor performance.

**⚠ WARNING** Nozzles should not be removed from the drain while pressurized. Mark the hose at a distance of 24" (60cm) from nozzle to indicate the location of the nozzle.

11. Insert the jet hose into the line several feet.
12. Open the inlet supply valve and verify that water flows freely through the nozzle.
13. Plug the Jetter into the electrical outlet making sure to position the power cord along the clear path selected earlier. If the power cord does not reach the outlet, use an extension cord in good condition.

**⚠ WARNING** To avoid electrical shock and electrical fires, never use an extension cord that is damaged or does not meet the following requirements:

- The cord has a three-prong plug similar to shown in Electrical Safety section.
- The cord is rated as “W” or “W-A” if being used outdoors.
- The cord has sufficient wire thickness (12 AWG). If the wire thickness is too small, the cord may overheat, melting the cord’s insulation or causing nearby objects to ignite.

**⚠ WARNING** To reduce risk of electrical shock, keep all electrical connections dry and off the ground. Do not touch plug with wet hands. Test the Ground Fault Circuit Interrupter (GFCI) provided with the electric cord to insure it is operating correctly. When test button is pushed in, the indicator light should go off. Reactivate by pushing the reset button in. If indicator light goes on, the machine is ready to use. If the GFCI does not function correctly, do not use the machine.

**Jetter Nozzle Selection Chart**

	KJ-1350		KJ-1750	
	1/8" NPT	1/4" NPT	1/8" NPT	1/4" NPT
<b>Thread Size</b>	1/8" NPT	1/4" NPT	1/8" NPT	1/4" NPT
<b>Hose Inside Diameter</b>	1/8" & 1/16"	1/4"	1/8" & 1/16"	1/4"
Features three reverse jet thrusts for maximum propulsion to jet long distances. Use this nozzle for most applications	H-21	H-31	H-41	H-51
Uses three jet thrusters in reverse plus one jet pointed forward to penetrate solid grease or sludge blockages. The forward jet blasts a small hole in the blockage for the nozzle to follow. It is also very effective when jetting ice blockages.	H-22	H-31	H-42	H-52
Use the drop head to help negotiate difficult bends.	H-24		H-44	
Use spinner nozzle to clean grease and similar blockages.	H-25		H-45	

**Jetter Hose Selection Chart**

Applications	Pipe Size	Nozzle Size	Hose Size (ID)	Hose Size (OD)
Bathroom sinks, urinals, and small lines.	1 1/4" – 2"	1/8" NPT	1/8"	3/16"
Kitchen sinks, laundry tubs and stacks, clean-outs, and vents.	2" – 3"	1/8" NPT	3/16"	1/4"
Shower and floor drains, lateral lines, and grease traps.	3" – 4"	1/4" NPT	1/4"	1/2"

## Operating Instructions

### ⚠ WARNING



**Risk of eye injury. Spray can splash back or propel objects. Always wear properly rated eye protection such as safety goggles or face shield while spraying. (Safety glasses do not provide full protection.)**

**Never operate the jetter with the hose end outside of the drain. Hose can whip, causing striking injuries and spray can penetrate skin and cause serious injury.**

**High pressure fluid can inject under skin resulting in serious injury, including amputation. Do not direct spray at people or animals.**

**Do not operate jetter above pressure rating or 140°F (inlet water temperature). This increases the risk of injury, including burns, and damage to the jetter.**

**Always use appropriate personal protective equipment while handling and using drain cleaning equipment. Drain may contain chemicals, bacteria and other substances that may be toxic, infectious, cause burns or other issues. Appropriate personal protective equipment always includes eye protection and gloves, and may also include equipment such as latex or rubber gloves, protective clothing, respirators, and steel toed footwear.**

**Follow operating instructions to reduce the risk of injury from whipping hoses, high pressure liquid injection, electric shock and other causes.**

### Start-Up and Pressure Adjustment

NOTE! Both the KJ-1350 and KJ-1750 Jetters have pulse actuators. The KJ-1350-2 and KJ-1750 have an additional pulse valve (Figure 5). Both the pulse actuator and pulse dampener valve must be in the OFF position prior to turning the jetter switch ON. To obtain maximum pressure, both pulse controls must be OFF.

1. Turn the unloader valve counter-clockwise to insure the pressure is backed down. Turn jetter switch ON and adjust the unloader valve so that the pressure gauge shows a maximum of 1350 PSI (green zone) on the KJ-1350 and KJ-1350-2. At this pressure, the KJ-1350 Jetters draw approximately 14 amps when supplied with 120 volt A/C current.
2. On the KJ-1750, adjust the unloader valve so that the pressure gauge shows 1750 PSI (green zone). At this pressure, the KJ-1750 draws approximately 17 amps when supplied with 120 volt A/C current. (Figure 4)

NOTE! Operating pressure is increased by rotating the unloader valve clock-wise +. If electrical circuit is not dedicated to Jetter, it may be necessary to reduce pressure (amp draw) to prevent tripping the circuit breaker or blowing a fuse.

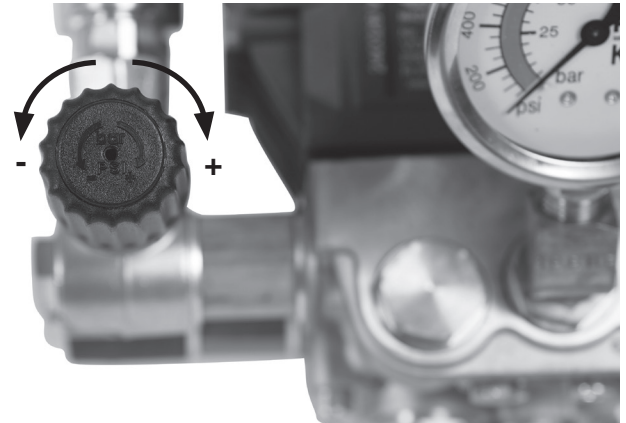


Figure 4 – Adjust The Unloader Valve

3. If the jetter will not generate pressure:
  - Make sure the water faucet is completely open and the inlet supply valve is open.
  - Check the filter screen at the inlet port to the jetter. Make certain it is clear of debris.
  - Cycle the pulse actuator on the KJ-1350 and KJ-1750 ON and OFF several times while the jetter is running to clear any trapped air in the system.
  - Cycle the pulse dampener valve on the KJ-1350-2 and KJ-1750 ON and OFF several times to clear trapped air.
  - Rotate unloader valve clockwise to make sure it increases pressure.

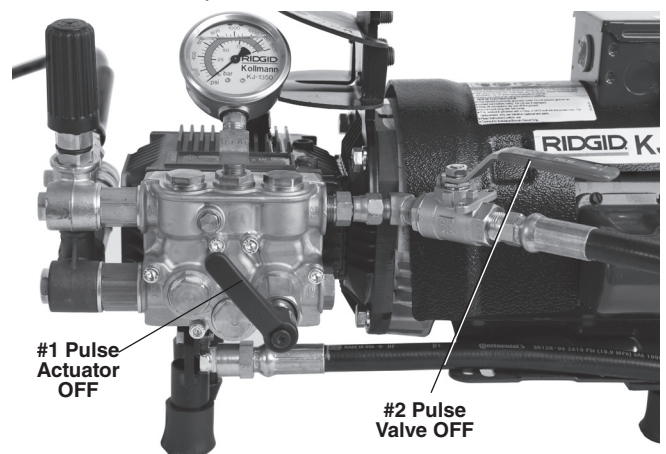


Figure 5 – Pulse Actuator/Pulse Valve OFF

### Pulse Control Valves

The KJ-1350 and KJ-1750 Jetters have a pulse actuator on the pump. Rotating the lever clockwise will engage the

pulse. The KJ-1350-2 and KJ-1750 Jetters have two levels of pulsation with the addition of a pulse valve. There are now three different pulses:

	Actuator (#1)		Valve (#2)	
Normal	OFF	All	OFF	KJ-1350-2
Bends & Traps	OFF		ON	KJ-1750
Difficult Bends	ON		ON	

For optimum jetter performance, you must understand the proper use of the pulse actuator and pulse valve.

**Normal Jetting**

Turn pulse actuator (#1) to the OFF position. Turn the pulse valve (#2) on the KJ-1350-2 and KJ-1750 to the OFF position. This results in maximum pressure but no pulse action.

1. When the jetter nozzle encounters a bend, its advance will usually slow or stop. The jetter hose has a slight bend or set to it. The reverse thrust of the nozzle will advance the jetter hose but it is also necessary to manually feed and rotate the jetter hose to work the set around the bends.
2. If the hose won't advance, pull back on the hose slightly and rotate the hose a quarter to a half turn. Then advance the hose forward.
3. If the jetter hose is not advancing, it may be necessary to induce some pulse action.

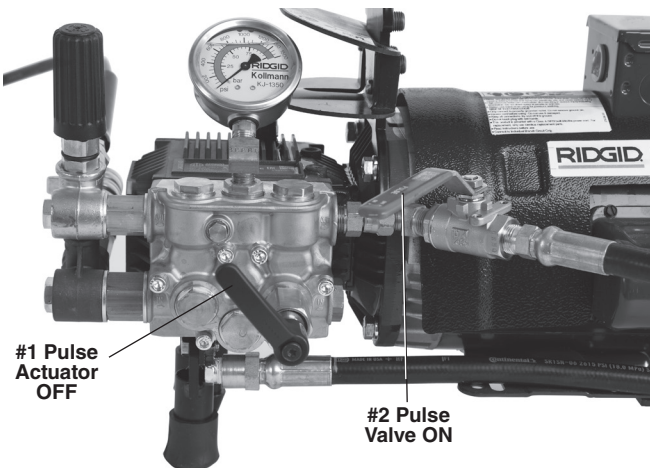


Figure 6 – Negotiating Bends and Traps

**Using the Pulse Mode to Negotiate Bends and Traps**

In some cases, simply rotating the hose will not be enough to negotiate a bend or trap. In these instances, turn the pulse actuator (#1) to the OFF position and valve (#2) for KJ-1350-2 and KJ-1750 to the ON position

(Figure 6). In the pulse mode, the pump induces large pulsation and jetter hose vibration. Rotating the hose while operating in the pulse mode will normally overcome stubborn bends and traps.

**Negotiating Difficult Bends (w/KJ-1350-2 and KJ-1750)**

By turning the pulse actuator (#1) and the pulse valve (#2) to the ON position on the KJ-1350-2 and the KJ-1750 will achieve a higher amplitude of pulse. This will allow the jetter hose and nozzle to vibrate and negotiate difficult bends. (Figure 7)

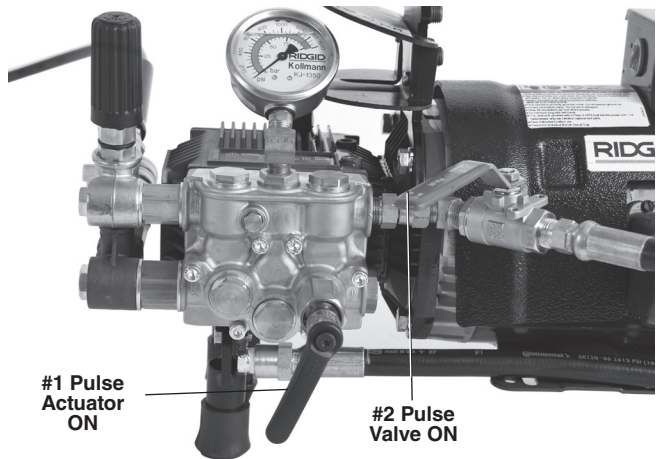


Figure 7 – Negotiating Difficult Bends

NOTE! In the pulse mode, the jetter's pressure gauge will read approximately 400 - 600 PSI.

NOTE! If at any time during the jetting process the pressure oscillates up and down between 100 and 1000 PSI, stop the jetter: Turn the Jetter and water supply OFF, remove the jetter nozzle and check the nozzle orifices (They are probably blocked). Clean them with the nozzle cleaning tool by pushing the proper size wire completely through each thruster orifice.

If the problem persists, remove the nozzle and insert the hose into the drain. Check the inlet filter screen at the inlet port and make sure it is clean. Restart to flush the system of any trapped air or debris that could be hampering the unit's operation.

Once through the bend or trap, return the pulse control actuator lever and valve to the OFF position. Continue the jetter head's advance.

**Encountering Blockages**

Normally, the jetter nozzle will pass right through grease or soft blockages. More stubborn blockages may require

manual manipulation of the hose combined with the pulse action of the pump.

Once through the obstruction, pass the jetter nozzle back and forth several times through that section of the drain to ensure it is thoroughly cleared, then advance the nozzle several feet further down the line before retrieving the hose.

### “Jet-Cleaning” or “Jetting” the Line

The Jetter’s cleaning action occurs by the nozzle orifices directing high pressure water at the walls of the drain line. This same pressure produces the thrust that pushes the nozzle down the line. This cleaning action helps to restore the drain to the full inside line diameter. The slower the jetter hose is retrieved, the better the results.

Before the jetter hose is retrieved back out of the drain, turn the pulse dampener valve (#2) to the OFF position. This will maximize the pressure and flow at the nozzle. Slowly retrieve the jetter hose and clean the inside walls of the drain.

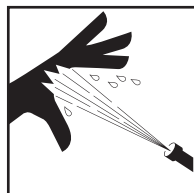
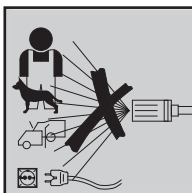
**⚠ WARNING** Never permit end of hose to rotate out of the pipe being cleaned. Hose can whip and nozzle spray can penetrate skin causing serious injury.

### Pressure Wash Package

Both the KJ-1350 and KJ-1750 can operate as pressure washers to spray wash service vehicles, tools, drain cleaning equipment and cables. The wash wand mounted to the 1/4" x 35' hose is attached to the jetter outlet port. Detergent can be dispensed for more effective cleaning by using the injector manifold. Attach the supply hose to the manifold and submerge the other end into a liquid solution.

### Washer Operation

#### ⚠ WARNING



**Do not use jetter within range of persons unless they wear protective clothing.**

**High pressure jets can be dangerous if subject to misuse. The jet must not be directed at persons, live electrical equipment or the appliance itself.**

**Do not direct the jet against yourself or others in order to clean clothes or footwear.**

**During use of high pressure cleaners, aerosols may be formed. Inhalation of aerosols can be hazardous to health.**

**Risk of explosion - Do not spray flammable liquids.**

**The employer shall perform a risk assessment in order to specify the necessary protective measures regarding aerosols, depending on the surface to be cleaned and its environment. Respiratory masks of class FFP 2, an equivalent or higher are suitable for the protection against hydrous aerosols.**

To utilize the pressure wash feature make sure both pulse valves are in the OFF position. Adjust system pressure with the wash wand activated. The wash wand will fit the 1/4" ID x 35' hose provided or any 1/4" ID jetter hose. The injector introduces a detergent into the water flow for more effective cleaning. To use the injector:

1. Attach the injector to the outlet port by removing the connection hose and quick coupling on the Jetter. Use thread sealant to prevent any leaks. Make sure arrow on manifold is going in the right direction (away from Jetter).
2. Re-attach connection hose and attach wash wand hose to quick coupling.
3. Place one end of a siphon hose into the detergent's container and other end on injector manifold.
4. The wash wand has two adjustments on the nozzle. By rotating the nozzle the wash pattern can be wide or narrow. The nozzle can be pushed forward for low pressure. Detergents are only dispensed when wash wand nozzle is in the low pressure setting.
5. After the application, pull the nozzle back to achieve full pressure.

## Optional Equipment

### **⚠ WARNING**

To reduce the risk of serious injury, only use accessories specifically designed and recommended for use with the RIDGID Water Jetter Machines, such as those listed below. Other accessories suitable for use with other tools may be hazardous when used with RIDGID Water Jetter Machines.

### Jetter Nozzles and Hoses

Catalog No.	Model No.	Description	Connection	Hose I.D.	Hose O.D.
64707	H-21	KJ-1350 Propulsion Nozzle	1/8" NPT – Fits 1/8" & 1/4" Hose		
64712	H-22	KJ-1350 Penetrating Nozzle			
64717	H-24	KJ-1350 Drop Head Nozzle			
82832	H-25	KJ-1350 Spin Nozzle			
64722	H-31	KJ-1350 Propulsion Nozzle	1/4" NPT – Fits 1/2" Hose		
64727	H-32	KJ-1350 Penetrating Nozzle			
64742	H-41	KJ-1750 Propulsion Nozzle	1/8" NPT – Fits 1/8" & 1/4" Hose		
64747	H-42	KJ-1750 Penetrating Nozzle			
64752	H-44	KJ-1750 Drop Head Nozzle			
82837	H-45	KJ-1750 Spin Nozzle			
64757	H-51	KJ-1750 Propulsion Nozzle	1/4" NPT – Fits 1/2" Hose		
64762	H-52	KJ-1750 Penetrating Nozzle			
52957	H-1825	1/8" x 25' Sink Trap Hose		1/8"	3/16"
53037	H-1850	1/8" x 50' Sink Trap Hose		1/8"	3/16"
45792	H-1425	1/4" x 25' Trap Hose		3/16"	1/4"
47597	H-1435	1/4" x 35' Trap Hose		3/16"	1/4"
47602	H-1450	1/4" x 50' Trap Hose		3/16"	1/4"
49272	H-1475	1/4" x 75' Trap Hose		3/16"	1/4"
49277	H-1400	1/4" x 100' Trap Hose		3/16"	1/4"
64732	H-1415	1/4" x 150' Trap Hose		3/16"	1/4"
47607	H-1250	1/2" x 50' Jet Hose		1/4"	1/2"
47612	H-1275	1/2" x 75' Jet Hose		1/4"	1/2"
47617	H-1200	1/2" x 100' Jet Hose		1/4"	1/2"
51587	H-1211	1/2" x 110' Jet Hose		1/4"	1/2"
49487	H-1215	1/2" x 150' Jet Hose		1/4"	1/2"
51597	H-1220	1/2" x 200' Jet Hose		1/4"	1/2"
50002	HL-1	Flexible Leader, 1/4" x 12"		1/8"	3/16"
50007	HL-2	Flexible Leader, 1/2" x 18"		1/8"	3/16"

1/8" NPT fits 1/4" Trap Hose

1/4" NPT fits 1/2" and 3/8" Jet Hose

### Jetter Accessories

Catalog No.	Model No.	Description
64697	H-10	H-10 Cart with Hose Reel
62592	H-10 WH	H-10 Cart with Hose Reel and 100' x 1/4" Trap Hose
62882	H-5	Mini Hose Reel (fits H-10 cart) 150' x 1/4" Capacity
64737	H-30	H-30 Cart with Hose Reel
62877	H-30 WH	H-30 Cart with Hose Reel and 110' x 1/2" Jet Hose
62887	HP-EL	Pressure Wash Package, Electric Jetters
64702	HW-EL	Wash Wand, Electric Jetters
51572	H-1235	1/2" x 35' Wash Hose
62897	H-10A	KJ-1750 Adapter to Fit H-10 Cart
62892	H-30A	KJ-1350 Adapter to Fit H-30 Cart
48367	H-25	Winterizing Kit
47542	H-21	Nozzle Cleaning Tool
67187	H-32	Jet Vac

### H-5 Mini Hose Reel

The hose reel and 100' of 1/4" jetter hose that is included with the H-10 cart is available as an accessory (H-5). The reel has a total capacity of 150'. The hose reel, along with a foot valve, can be used for remote jetting through roof vents.

For a complete listing of RIDGID equipment available for this machine, see the Ridge Tool Catalog online at RIDGID.com or see Contact Information.

## Machine Storage

**⚠ WARNING** The Water Jetter Machines must be kept indoors or well covered in rainy weather. Store the machine in a locked area that is out of reach of children and people unfamiliar with drain cleaners. This machine can cause serious injury in the hands of untrained users.

## Maintenance Instructions

### **⚠ WARNING**

Make sure machine is unplugged from power source before performing maintenance or making any adjustment.

Always wear safety glasses and gloves when performing any maintenance to help protect against drain chemicals and bacteria.

### Inlet Filter Screen

Before each use:

- Check inlet filter screen for debris that can restrict water flow into the pump resulting in poor performance. If filter screen is dirty or clogged, remove, clean, and replace.

### Jetter Nozzle Orifice

Before each use:

- Check the jetter nozzle orifices for debris. If an orifice is blocked, use nozzle cleaning tool to clear and remove debris.

### Jetter Flushing

After use:

- Run clear water through the jetter and hose(s) in order to flush out debris or detergent. Make sure nozzle is removed from hose for maximum water flow. Flushing should always be done after using the injector in order to flush out detergents.

### Winterizing

**⚠ CAUTION** Freezing temperatures can cause serious damage to the pump. If such cold conditions are to be encountered in storage, charge the jetter with RV (non-ethylene glycol) Anti-Freeze.

The winterizing kit (H-25) includes RV Anti-Freeze and a delivery hose with quick coupling that attaches to the inlet valve.

**⚠ WARNING** EPA mandates that no substances containing ethylene glycol can be used in a drainage system.

## Service And Repair

### **⚠ WARNING**

**Improper service or repair can make the machine unsafe to operate.**

The “*Maintenance Instructions*” will take care of most of the service needs of this machine. Any problems not addressed by this section should only be handled by a RIDGID Authorized Independent Service Center. Use only RIDGID service parts.

For information on your nearest RIDGID Authorized Independent Service Center or any service or repair questions see *Contact Information* section in this manual.

## Troubleshooting

PROBLEM	CAUSE	CORRECTION
Jetter runs but produces little or no pressure.	Inadequate water supply.	Make certain water supply faucet is ON. Make certain jetter's water supply inlet valve is ON. Make certain water supply hose is clear and not kinked or collapsed.
Jetter will not adjust to full operating pressure at start-up.	Air is trapped in system. Jetter nozzle thrusters are blocked.	Remove nozzle from jet hose and run jetter to flush air/debris from system. Remove nozzle and clean thruster orifices with nozzle cleaning tool.
Jetter pressure gauge oscillates from 100 to 1000 PSI.	Jetter nozzle thrusters are blocked. Debris or air trapped in system.	Remove nozzle. Use nozzle cleaning tool to clear nozzle orifices: select proper wire size and push completely through each thruster orifice to remove debris. Remove nozzle and insert jet hose in drain line. Run jetter to flush trapped air or debris.

## Disposal

Parts of these tools contain valuable materials and can be recycled. There are companies that specialize in recycling that may be found locally. Dispose of the components in compliance with all applicable regulations. Contact your local waste management authority for more information.



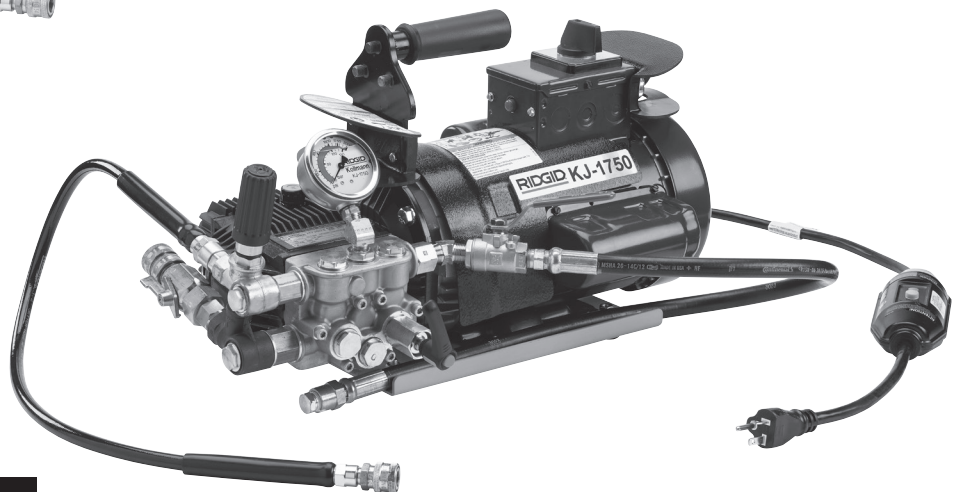
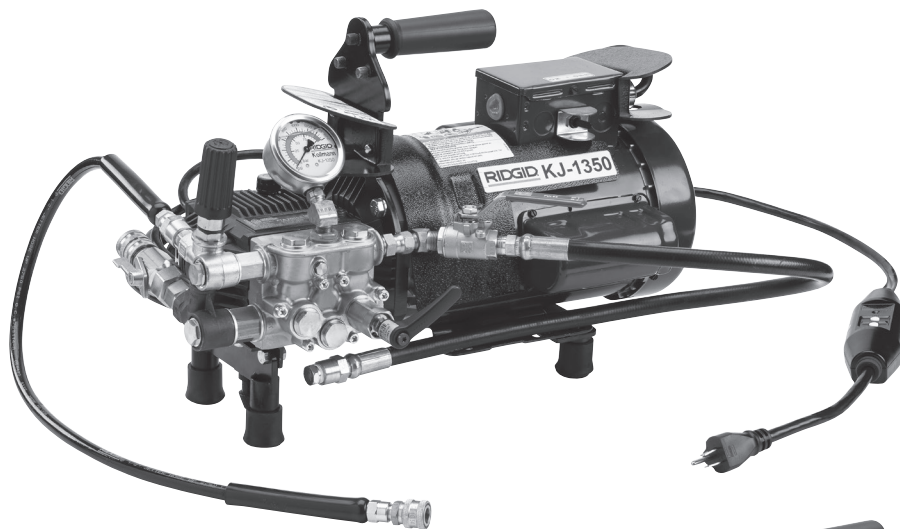
**For EC Countries:** Do not dispose of electrical equipment with household waste!

According to the European Guideline 2012/-19/EU for Waste Electrical and Electronic Equipment and its implementation into national legislation, electrical equipment that is no longer usable must be collected separately and disposed of in an environmentally correct manner.





## Dégorgeoirs haute-pression KJ-1350 et KJ-1750



### **⚠ AVERTISSEMENT !**

Familiarisez-vous avec le manuel ci-présent avant d'utiliser l'appareil. L'incompréhension ou le non-respect de ses consignes augmenterait les risques de choc électrique, d'incendie et de graves blessure corporelle.

### Dégorgeoirs haute pression KJ-1350 et KJ-1750

Inscrivez ci-après et conservez le numéro de série indiqué sur la plaque signalétique de l'appareil.

N° de  
série


## Table des matières

Fiche d'enregistrement du numéro de série de l'appareil .....	15
Symboles de sécurité.....	17
<b>Consignes générales de sécurité des appareils électriques</b>	
Sécurité des lieux .....	17
Sécurité électrique .....	17
Sécurité individuelle.....	18
Utilisation et entretien des appareils électriques .....	18
Service après-vente.....	19
<b>Consignes de sécurité spécifiques</b>	
Sécurité des dégorgeoirs haute-pression .....	19
Mise à la terre .....	19
Protection par disjoncteur différentiel .....	20
Rallonges électriques .....	20
<b>Coordonnées RIDGID®</b> .....	20
<b>Description</b> .....	20
<b>Caractéristiques techniques</b> .....	21
Equipements de base .....	21
<b>Assemblage de l'appareil</b> .....	21
Pompe.....	21
Diabes.....	21
<b>Inspection préalable</b> .....	22
<b>Préparation de l'appareil et des lieux</b> .....	23
Tableau de sélection des buses haute-pression .....	24
Tableau de sélection des flexibles haute-pression.....	24
<b>Mode d'emploi</b> .....	25
Démarrage et réglage de pression .....	25
Vannes de pulsation .....	26
Curage sous pression normal.....	26
Utilisation du mode « Pulsations » pour la négociation des coudes et siphons.....	26
Négociation des coudes serrés (w/KJ-1350-2 et KJ-1750).....	26
Franchissement des blocages .....	27
Nettoyage au jet des canalisations .....	27
Laveur haute-pression .....	27
Utilisation du laveur.....	27
<b>Accessoires</b> .....	28
Buses et flexibles haute-pression .....	28
Autres accessoires.....	28
Enrouleur Mini H-5.....	28
<b>Remisage de l'appareil</b> .....	28
<b>Consignes d'entretien</b>	
Tamis d'arrivée d'eau.....	28
Orifice des buses haute-pression .....	29
Rinçage des dégorgeoirs haute-pression .....	29
Hivernisation .....	29
Révisions et réparations .....	29
Dépannage .....	29
Recyclage .....	30
<b>Déclaration de conformité</b> .....	Intérieur de page de garde
<b>Garantie à vie</b> .....	Page de garde

\*Traduction de l'anglais d'origine

## Symboles de sécurité

Les symboles et mots clé de sécurité indiqués dans ce manuel et affichés sur l'appareil servent à souligner d'importantes consignes de sécurité. Ce qui suit permettra de mieux comprendre la signification de tels mots clés et symboles.


 Ce symbole sert d'avertissement aux dangers physiques potentiels. Le respect des consignes qui le suivent limitera les risques d'accident, dont certains pourraient être mortels.


**⚠ DANGER** Le terme « DANGER » signale une situation dangereuse qui, si elle n'est pas évitée, entrainera la mort ou de graves blessures corporelles.


**⚠ AVERTISSEMENT** Le terme « AVERTISSEMENT » signale une situation dangereuse qui, si elle n'est pas évitée, pourrait entrainer la mort ou de graves blessures corporelles.


**⚠ PRUDENCE** Le terme « PRUDENCE » indique une situation dangereuse qui, si elle n'est pas évitée, pourrait occasionner des blessures minimales ou modérées.


**AVIS IMPORTANT** Le terme « AVIS IMPORTANT » précède des informations concernant la protection des biens.


 Ce symbole indique la nécessité de se familiariser avec le mode d'emploi avant d'utiliser le matériel. Le mode d'emploi renferme d'importantes consignes visant la sécurité et le fonctionnement du matériel.


 Ce symbole indique la nécessité de porter des lunettes étanches ou une visière lors de l'utilisation de ce matériel. Des lunettes de sécurité ouvertes n'offrent pas de protection suffisante.


 Ce symbole souligne les risques associés à l'atteinte du corps par le jet d'eau et la possibilité de percement et de pénétration de la peau.

 Ce symbole indique les informations (manuel y compris) visant le produit qui peuvent être obtenues en scannant le code QR adjacent.

 Ce symbole signale les dangers associés au jet haute-pression en cas de mauvaise manipulation. Le jet ne doit jamais être orienté vers des individus, du matériel électrique sous tension ou vers l'appareil lui-même.

 Ce symbole indique un risque de choc électrique.

 Ce symbole indique un risque de fouettement du flexible et d'éventuelles blessures traumatiques ou par pénétration d'eau.

 Ce symbole indique que le poids du matériel dépasse les 55 livres (25 kg) et qu'il doit être manipulé prudemment afin de limiter les risques de blessure.

## Consignes générales de sécurité des appareils électriques

### ⚠ AVERTISSEMENT

**Familiarisez-vous avec l'ensemble des consignes de sécurité, instructions, illustrations et caractéristiques techniques fournies avec cet appareil électrique. Tout manque de compréhension ou de suivi des instructions ci-après augmenterait les risques de choc électrique, d'incendie et d'accident grave.**

### Conservez l'ensemble des consignes de sécurité et d'utilisation pour future référence !

Le terme « appareil électrique » utilisé dans les avertissements couvre à la fois les appareils sur secteur et les appareils à piles.

### Sécurité des lieux

- **Assurez la propreté et le bon éclairage des lieux.** Les endroits encombrés ou sombres invitent les accidents.

- **Ne pas utiliser d'appareils électriques dans les milieux volatiles tels qu'en présence de liquides, de gaz ou de poussières combustibles.** Les appareils électriques produisent des étincelles susceptibles d'enflammer les poussières ou gaz présents.
- **Eloignez les enfants et les curieux lors de l'utilisation d'un appareil électrique.** Les distractions risquent de vous faire perdre le contrôle de l'appareil.

### Sécurité électrique

- **La disposition de la fiche de l'appareil doit correspondre à celle de la prise de courant utilisée. Ne jamais tenter de modifier la prise de manière quelconque. Ne pas utiliser d'adaptateur de prise sur les appareils équipés d'une prise de terre.** Les fiches non modifiées et les prises de courant adaptées limiteront les risques de choc électrique.
- **Evitez d'entrer en contact avec des surfaces reliés à la terre ou la masse comme les tuyauteries, les radiateurs, les cuisinières et les réfrigérateurs.**

Tout contact avec une masse augmenterait les risques de choc électrique.

- **N'exposez pas les appareils électriques aux intempéries.** Toute pénétration d'eau à l'intérieur de l'appareil augmenterait les risques de choc électrique.
- **N'abusez pas le cordon d'alimentation de l'appareil. Ne jamais porter l'appareil par son cordon ou le débrancher en y tirant dessus. Eloignez le cordon d'alimentation de la chaleur, de l'huile, des objets tranchants et des mécanismes.** Les cordons d'alimentation endommagés ou entortillés augmentent les risques de choc électrique.
- **Lors de l'utilisation d'un appareil électrique à l'extérieur, prévoyez une rallonge électrique adaptée.** L'utilisation d'une rallonge électrique prévue pour l'extérieur limitera les risques de choc électrique.
- **Lorsqu'il est inévitable de travailler dans un endroit humide, branchez l'appareil sur une alimentation protégée par disjoncteur différentiel.** L'utilisation d'un disjoncteur différentiel limitera les risques de choc électrique.

### Sécurité individuelle

- **Soyez attentif, restez concentré et faites preuve de bon sens lors de l'utilisation de ce type d'appareil. Ne jamais utiliser ce matériel lorsque vous êtes fatigué ou sous l'influence de drogues, de l'alcool ou de médicaments.** Lors de l'utilisation d'un appareil électrique, un instant d'inattention risque d'entraîner de graves lésions corporelles.
- **Prévoyez les équipements de protection individuelle appropriés. Portez systématiquement une protection oculaire.** Selon le cas, le port d'un masque à poussière, de chaussures de sécurité antidérapantes, du casque ou d'une protection auriculaire peut aider à limiter les risques de lésion corporelle.
- **Évitez les démarrages accidentels. Assurez-vous que son interrupteur est en position « Arrêt » avant de brancher l'appareil.** Porter un appareil électrique avec son doigt sur l'interrupteur, voire le brancher lorsque son interrupteur est en position « Marche » est une invitation aux accidents.
- **Retirez toute clé ou dispositif de réglage éventuel avant de mettre l'appareil en marche.** Une clé ou tout autre dispositif de réglage engagé sur un élément mécanique pourrait provoquer un accident.
- **Ne vous mettez pas en porte-à-faux. Maintenez une bonne assiette et un bon équilibre à tout moment.** Cela assurera un meilleur contrôle de l'appareil en cas d'imprévu.

- **Habillez-vous de manière appropriée. Ne portez ni vêtements amples, ni bijoux. Couvrez les cheveux longs. Eloignez vos cheveux, vos vêtements et vos gants des mécanismes lorsque l'appareil fonctionne.** Les vêtements amples, les bijoux et les cheveux longs risquent d'être entraînés par les mécanismes en rotation.
- **Ne laissez pas la familiarité issue d'une fréquente utilisation de l'appareil vous rendre complaisant au point d'ignorer les règles de sécurité.** Un instant d'inattention peut occasionner de graves blessures.

### Utilisation et entretien des appareils électriques

- **Ne forcez pas l'appareil. Prévoyez l'outil approprié pour l'application envisagée.** L'outil approprié effectuera mieux son travail et assurera une meilleure sécurité lorsqu'il fonctionne au régime prévu.
- **N'utilisez pas l'appareil si son commutateur ne permet pas de le mettre en marche ou de l'arrêter.** Tout appareil qui ne peut pas être contrôlé par son commutateur doit être considéré dangereux et doit être réparé.
- **Remisez l'appareil hors de la portée des enfants et ne permettez à quiconque qui ne serait pas familiarisé avec l'appareil ou les instructions ci-présentes de l'utiliser.** Ce type d'appareil peut être dangereux entre les mains d'un individu non qualifié.
- **Assurez l'entretien approprié de l'appareil et de ses accessoires. Examinez-les pour signes de désalignement, de grippage ou de bris, ainsi que toute autre anomalie susceptible de nuire à leur bon fonctionnement. Le cas échéant, faites réparer l'appareil avant de l'utiliser à nouveau.** De nombreux accidents sont provoqués par des outils ou appareils mal entretenus.
- **Vérifiez affûtage et la propreté des outils de coupe.** Les outils de coupe bien entretenus et bien affûtés seront moins susceptibles au grippage et plus faciles à contrôler.
- **Prévoyez l'appareil, les accessoires, les mèches, etc. préconisés par les consignes ci-présentes et en tenant compte des conditions d'exploitation des travaux envisagés.** L'utilisation d'un appareil électrique à des fins non prévues pourrait créer une situation dangereuse.
- **Assurez la parfaite propreté des poignées et zones de prise-en-main de l'appareil.** Des poignées et zones de prise-en-main glissantes peuvent nuire à la manipulation et au contrôle de l'appareil en cas d'imprévu.

## Service après-vente

- Confiez la réparation de l'appareil à un réparateur qualifié utilisant exclusivement des pièces de rechange identiques aux pièces d'origine. Cela assurera la sécurité opérationnelle de l'appareil électrique.

## Sécurité des dégorgeoirs haute-pression

### ⚠ AVERTISSEMENT

Cette rubrique contient d'importantes consignes de sécurité visant ce type d'appareil en particulier.

Familiarisez-vous avec ces consignes avant d'utiliser un dégorgeoir haute-pression afin de limiter les risques de choc électrique ou autre blessure corporelle grave.

### Conservez l'ensemble des avertissements et consignes pour future référence !

Gardez ce manuel avec l'appareil et à portée de main de l'utilisateur.

## Sécurité des dégorgeoirs haute-pression

- Ne jamais utiliser un dégorgeoir haute-pression lorsque l'extrémité de son flexible est hors d'une conduite. Le flexible risquerait de fouetter et provoquer des traumatismes, tandis que son jet d'eau risquerait de pénétrer la peau de manière dangereuse.

**⚠ AVERTISSEMENT** – Risque de blessure par injection – Ne pas diriger le jet d'eau vers autrui. L'eau sous haute pression peut pénétrer la peau et occasionner de graves blessures, notamment des amputations. Ne pas diriger le jet d'eau vers des individus ou des animaux.

- Les flexibles, buses et raccords haute-pression utilisés constituent des éléments essentiels à la sécurité de l'appareil. N'utilisez que les flexibles, buses et raccords préconisés par le fabricant.
- Ne pas excéder la pression nominale du dégorgeoir ou utiliser une arrivée d'eau à plus de 140° F. Cela augmenterait les risques de brûlure et d'endommager le dégorgeoir.
- Sachez arrêter et dépressuriser l'appareil rapidement. Familiarisez-vous bien avec ses commandes.
- Ce dégorgeoir ne sera pas utilisé par des enfants ou du personnel sans formation. Il est essentiel de surveiller les enfants de près lors de l'utilisation du dégorgeoir à proximité.

- L'emploi de produits de nettoyage haute-pression risque de former des aérosols. Familiarisez-vous entièrement avec les commandes.
- Risque de lésions oculaires. Le jet risque d'éclabousser vers l'arrière ou projeter des objets. Portez systématiquement une protection oculaire telle que des lunettes de sécurité ou une visière en cours d'opération. A noter que les lunettes de sécurité n'offrent qu'une protection partielle.
- Prévoyez systématiquement les équipements de protection individuelle appropriés lors de la manipulation ou l'utilisation du matériel de curage. Les réseaux d'évacuation peuvent renfermer des produits chimiques, des bactéries et autres substances potentiellement toxiques, infectieuses, caustiques ou autrement dangereux. Outre la protection oculaire et les gants obligatoires, ces équipements peuvent comprendre des gants en latex ou en caoutchouc, des vêtements de protection, un respirateur et des chaussures blindées.
- Respectez les normes sanitaires d'usage. Lavez vos mains et autres parties du corps exposés au contenu des conduites avec de l'eau chaude et du savon après avoir manipulé ou utilisé le matériel de curage. Ne pas manger ou fumer en cours d'utilisation ou de la manipulation du matériel de curage. Cela limitera les risques de contamination par matières toxiques ou infectieuses.
- Ne pas pulvériser de liquides toxiques ou combustibles. Cela limitera les risques de brûlure, d'incendie, d'explosion et de blessure.
- Lorsque l'appareil est alimenté par un réseau d'eau potable, ce réseau devra être protégé par un clapet antiretour. Une fois qu'elle a franchi le clapet antiretour, l'eau est considérée non-potable.
- Ne jamais tenter de nettoyer l'appareil avec son propre jet. La pression élevée du jet risquerait d'endommager les composants de l'appareil.
- Ne pas viser les appareils ou circuits électriques avec le jet. Cela limitera les risques de choc électrique.
- Familiarisez-vous à la fois avec le manuel ci-présent et les avertissements et instructions de l'ensemble du matériel utilisé avant toute intervention. Le non-respect de l'ensemble des avertissement et consignes augmenterait les risques de dégâts matériels et/ou de grave blessure corporelle.

### Mise à la terre

- Ce type d'appareil doit être mis à la terre. En cas de défaillance de l'appareil, sa mise à la terre assure

**un passage de moindre résistance au courant électrique et réduit les risques de choc électrique.**

Cet appareil est équipé d'un cordon d'alimentation avec prise de terre. Sa fiche doit être branchée sur une prise électrique avec terre appropriée et conforme à l'ensemble de la réglementation en vigueur.

**▲ DANGER** Le branchement électrique inapproprié de cet appareil augmenterait les risques d'électrocution. En cas de doute visant intégrité de la mise à la terre d'une prise de courant, faites-la vérifier par un électricien ou du personnel d'entretien. Ne tentez pas de modifier la fiche de l'appareil. Si celle-ci ne correspond pas à la prise électrique existante, faites installer une prise de courant appropriée par un électricien. Ne jamais utiliser d'adaptateur de prise avec ce produit.

- **Les appareils avec prise de terre doivent être branchés sur une prise correctement installée et reliée à la terre selon la réglementation en vigueur. Ne jamais enlever sa barrette de terre ou modifier la fiche de manière quelconque. Ne pas utiliser d'adaptateurs de prise. En cas de doute visant la mise à la terre appropriée d'une prise existante, faites-la vérifier par un électricien.** En cas de défaillance électrique de l'appareil, sa mise à la terre assure un passage de moindre résistance pour éloigner le courant électrique de l'utilisateur.

#### Protection par disjoncteur différentiel

- **Ce type de laveur haute-pression est équipé d'un disjoncteur différentiel de catégorie « A » incorporé à son cordon d'alimentation.** Ce dispositif fournit une protection supplémentaire contre les risques de choc électrique. En cas de nécessité de remplacement du cordon d'alimentation ou de sa fiche, n'utilisez que des pièces de rechange identiques qui comprennent un disjoncteur différentiel catégorie « A ».
- **Avant d'utiliser l'appareil, testez le disjoncteur différentiel de son cordon d'alimentation pour vous assurer de son bon fonctionnement.** Un disjoncteur différentiel endommagé augmenterait les risques de choc électrique.

#### Rallonges électriques

- **N'utilisez que des rallonges électriques à 3 conducteurs, une fiche à 3 barrette et une prise à trois pôles capable de recevoir la fiche de l'appareil.**
- **N'utilisez que des rallonges électriques homologuées pour une utilisation à l'extérieur.** Ce type de rallonge est identifiée par la mention « *Acceptable pour appareils d'extérieur ; remiser à l'intérieur.* »
- **N'utilisez que des rallonges électriques ayant une capacité au moins égale à celle du produit.**

- **N'utilisez pas de rallonges électriques endommagées.** Examinez la rallonge avant de l'utiliser et remplacez-la si elle est endommagée. Ne maltraitez pas la rallonge et ne tirez pas sur elle pour la débrancher. Eloignez la rallonge des sources de chaleur et des objets tranchants.

- **Débranchez systématiquement la rallonge électrique de la prise de courant avant de débrancher l'appareil de la prise électrique.**

**▲ AVERTISSEMENT** Limitez les risques d'électrocution en maintenant toutes connexions au sec et surélevées. Ne touchez pas la fiche avec les mains mouillées.

- **Il est déconseillé d'utiliser une rallonge électrique si elle n'est pas branchée sur une prise de courant équipée d'un disjoncteur différentiel.** Le disjoncteur différentiel du cordon d'alimentation de l'appareil n'empêchera pas les chocs électriques venant des rallonges électriques.

## Coordonnées RIDGID

En cas de questions visant ce produit RIDGID®, veuillez :

- Consulter le distributeur RIDGID® le plus proche
- Visiter RIDGID.com pour les coordonnées du représentant RIDGID le plus proche
- Consulter les services techniques de Ridge Tool à ProToolsTechService@ Emerson.com ou bien, à partir des Etats-Unis ou du Canada, en composant le 844-789-8665.

## Description

Les RIDGID® KJ-1350 et KJ-1750 sont des dégorgeoirs haute-pression qui utilisent une combinaison de pression et de débit d'eau pour dégager les blocages gras et mous des conduites d'évacuation allant de 1¼ à 4 pouces de diamètre. Ces dégorgeoirs peuvent être portés soit manuellement, soit montés sur diable avec enrouleur pour leur transport.

Le KJ-1350 est équipé d'un moteur électrique de 1½ CV produisant une pression nominale de 1350 PSI et un débit nominal de 1,4 GPM. Il est prévu pour les applications résidentielles et commerciales légères.

Le KJ-1750 dispose d'un moteur de 2 CV produisant une pression nominale de 1750 PSI et un débit nominal de 1,4 GPM. Il est prévu pour les applications commerciales et industrielles importantes.

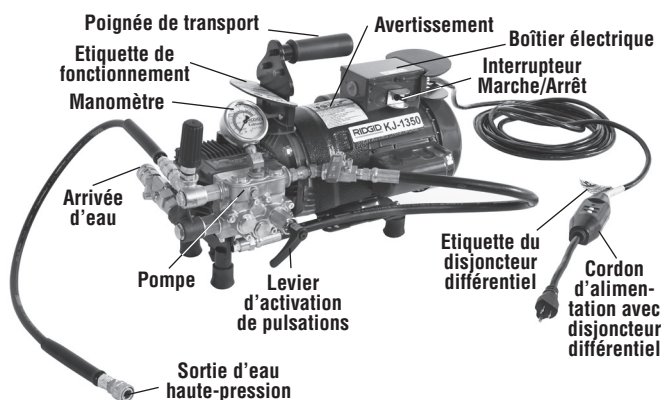


Figure 1A – Dégorgeoir haute-pression (ex. : JK-1350)

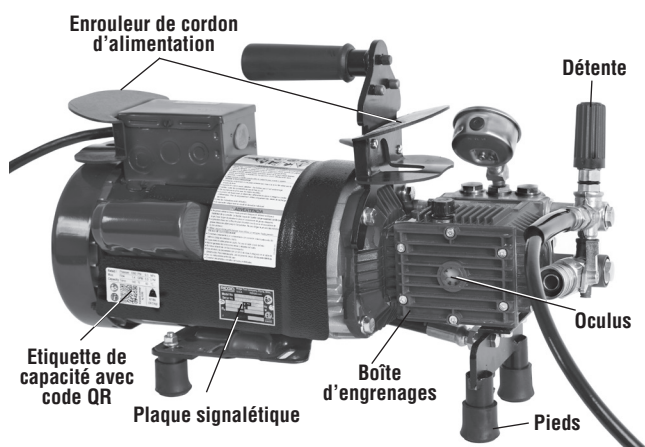


Figure 1B – Dégorgeoir haute-pression (ex. : KJ-1350)

## Caractéristiques techniques

### KJ-1350

Capacité de conduite ... Recommandé pour les conduites d'évacuation Ø 1¼ à 4 po d'une longueur maxi de 200 pieds

Moteur ..... 1½ CV à 1725 t/min, 14 ampères

Tension d'alimentation ..... 120V

Pompe ..... Duplex à piston

Pression ..... 1350 PSI

Débit nominal ..... 1,4 GPM

Poids (dégorgeoir seul) ..... 67 livres (30,5 kg)

### KJ-1750

Capacité de conduite ... Recommandé pour les conduites d'évacuation Ø 1¼ à 4 po d'une longueur maxi de 200 pieds

Moteur ..... 2 CV à 1725 t/min, 17 ampères

Tension d'alimentation ..... 120V  
 Pompe ..... Duplex à piston  
 Pression ..... 1750 PSI  
 Débit nominal ..... 1,4 GPM  
 Poids (dégorgeoir seul) ..... 75 livres (34 kg)

## A usage professionnel uniquement

### Equipements de base

Chaque dégorgeoir est livré avec

- Les busez haute-pression appropriées
- Des outils de nettoyage de buse

Reportez-vous au catalogue RIDGID pour les équipements fournis avec chaque référence de produit.

**⚠ AVIS IMPORTANT** Cet appareil est prévu pour le curage des canalisations d'évacuation. Utilisé correctement, il n'endommagera pas les conduites en bon état et correctement conçues, construites et maintenues. Dans le cas d'une conduite d'évacuation en mauvais état, mal conçue mal construite ou mal entretenue, ce dégorgeoir risque de ne pas être efficace et pourrait endommager la conduite. Le meilleur moyen de déterminer la condition d'une conduite d'évacuation avant d'intervenir est par inspection visuelle à l'aide d'une caméra. Toute utilisation inappropriée de cet appareil pourrait endommager à la fois le dégorgeoir et la conduite d'évacuation. Cet appareil risque d'être incapable de dégager certains blocages.

## Assemblage de l'appareil

### ⚠ AVERTISSEMENT

**Respectez les consignes d'assemble suivantes afin de limiter les risques de blessure corporelle grave en cours d'utilisation et éviter d'endommager l'appareil.**

### Pompe

Retirez le bouchon de la pompe et remplacez-le par le capuchon servant de jauge de niveau d'huile et d'évent. Vérifiez le niveau d'huile de la pompe (le dégorgeoir est livré rempli d'huile). Si le niveau est bas, faites l'appoint avec une huile non-détergente SAE 30W.

### Diabes

#### Diable H-10

Ce diable permet de monter un KJ-1350 ou KJ-1350-2 sans nécessiter l'utilisation d'outillage. Soulevez et engagez le bas du dégorgeoir sur le diable et son poteau dans le réceptacle à l'autre extrémité (Figure 2A). Serrez la poignée de serrage pour arrimer le dégorgeoir. Un

adaptateur est disponible pour le montage du KJ-1750 sur le H-10.

L'enrouleur et 100 pieds de flexible haute-pression Ø ¼ po se montent sur le réceptacle le plus proche de la poignée (Figure 2B). Engagez le poteau de l'enrouleur dans l'orifice et serrez la poignée de serrage.

La longueur du diable H-10 peut être raccourci pour son rangement ou bien allongé en desserrant les deux poignées de serrage des rails et en faisant glisser la poignée dans un sens ou dans l'autre.

**⚠ AVERTISSEMENT** Assurez-vous du serrage à fond des poignées de serrage avant de transporter ou soulever l'ensemble.

### Diable H-30 avec enrouleur

De taille plus importante, le diable à enrouleur H-30 permet de monter le KJ-1750 sans nécessiter d'outillage. Montez le dégorgeoir sur la plateforme et engagez-le sur les broches de positionnement. Tenez-le en place et montez les clips avant et arrière du diable sur l'embase du dégorgeoir. Un adaptateur est disponible pour monter le KJ-1350 sur le H-30.

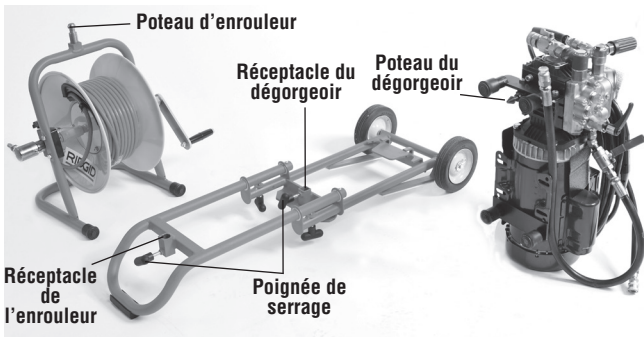


Figure 2A – Dégorgeoir haute-pression, diable H-10 et enrouleur

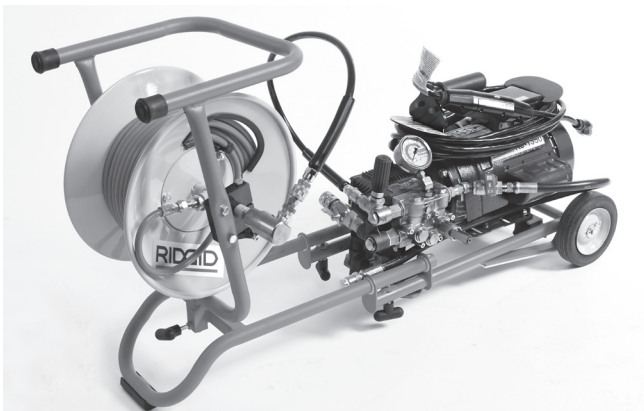
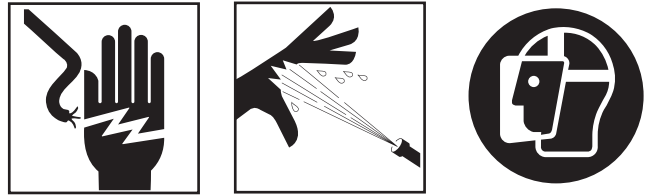


Figure 2B – Dégorgeoir haute-pression et enrouleur sur diable H-10

## Inspection préalable

### ⚠ AVERTISSEMENT



**Inspectez le dégorgeoir haute-pression avant chaque intervention afin de corriger toute anomalie éventuelle et limiter les risques de blessures corporelles graves occasionnées par l'eau haute-pression ou autres causes et pour éviter d'endommager le dégorgeoir.**

**Portez systématiquement une protection oculaire, des gants et tout autre équipement de protection individuelle approprié lors de l'inspection du dégorgeoir afin de vous protéger contre les produits chimiques et les bactéries qui se trouveraient sur le matériel.**

1. Vérifiez le niveau d'huile de la pompe. Si nécessaire, faites l'appoint avec de l'huile non-détergente SAE 30.

NOTA : Le dégorgeoir doit être rangé couché sur son dos. Ne le rangez jamais verticalement, car l'huile de pompe fuira du réservoir.

2. Examinez le dégorgeoir pour d'ignés d'éléments brisés, manquants, désalignés ou grippés, ainsi que pour tout autre anomalie susceptible de nuire à la sécurité et au fonctionnement normal de l'appareil. Le cas échéant, ne pas utiliser le dégorgeoir avant que tout problème éventuel ait été éliminé.
3. Examinez le cordon d'alimentation de l'appareil, son disjoncteur différentiel et sa fiche pour signes de détérioration. Si la fiche a été modifiée, qu'elle manque sa barrette de terre ou qu'elle est endommagée, n'utilisez pas le dégorgeoir avant son remplacement.

**⚠ AVERTISSEMENT** Lors du remplacement du cordon d'alimentation, n'utilisez que des pièces de rechange identiques et équipées d'une protection par disjoncteur différentiel.

4. Examinez le tamis de filtration d'arrivée d'eau pour la présence de débris susceptible de limiter le débit d'eau vers la pompe, car ceci nuirait aux performances de l'appareil. Si le tamis est encrassé ou bouché, retirez-le, nettoyez-le et réinstallez-le.
5. Utilisez les accessoires spécifiquement prévus pour votre type de dégorgeoir et adaptés à l'application envisagée. Des accessoires appropriés assurent le succès et la sécurité de l'opération. Toute tentative d'adapter des accessoires prévus pour d'autres types de matériel sur cet appareil peut s'avérer dangereuse.



6. Éliminez toutes traces d'huile, de graisse ou de crasse des poignées et commandes de l'appareil. Cela limitera les risques de blessure en cas de perte de contrôle.
7. Examinez les orifices de la busse haute-pression pour la présence de débris. En cas de blocage, servez-vous de l'outil de nettoyage de buse pour dégager les débris responsables.
8. Inspectez les flexibles haute-pression pour signes d'usure ou de détérioration. Les flexibles endommagés devraient être remplacés.

**⚠ AVERTISSEMENT** Les flexibles endommagés risquent d'éclater et provoquer de graves blessures. N'utilisez que des flexibles d'une pression nominale égale ou supérieure à celle du dégorgeoir.

## Préparation de l'appareil et des lieux

### ⚠ AVERTISSEMENT



**Portez systématiquement des lunettes de sécurité, des gants et autres équipements de protection appropriés lors de la préparation du dégorgeoir haute-pression afin de vous protéger contre les produits chimiques et bactéries présents sur le matériel. Des chaussures antidérapantes avec semelles en caoutchouc peuvent aider à éviter les dérapages sur surfaces mouillées.**

**Préparez le dégorgeoir et les lieux selon les consignes suivantes afin de limiter les risques, entre-autres, de pénétration de la peau par l'eau à haute pression, de brûlure chimique, d'infection et de choc électrique, et afin d'éviter d'endommager le dégorgeoir.**

1. Les lieux devraient assurer :
  - Suffisamment d'éclairage.
  - L'absence de liquides, de vapeurs ou de poussières combustibles.
  - Une prise de courant de 20 ampères avec terre.
  - Un passage dégagé jusqu'à la prise de courant qui ne contient aucune source de chaleur, d'huile, d'objets tranchants ou de mécanismes susceptibles d'endommager le cordon électrique de l'appareil.
  - Un emplacement au sec pour l'appareil et son utilisateur. N'utilisez pas cet appareil avec les pieds dans l'eau.

- Une alimentation d'eau.

**NOTA !** Tout raccordement à un réseau d'adduction d'eau potable devra comprendre une protection anti-refoulement installée selon les normes en vigueur.

2. Montez le raccord rapide sur le tuyau d'adduction d'eau. Branchez le tuyau d'adduction d'eau sur l'arrivée d'eau du dégorgeoir et fermez la vanne d'arrivée d'eau (Figure 3).

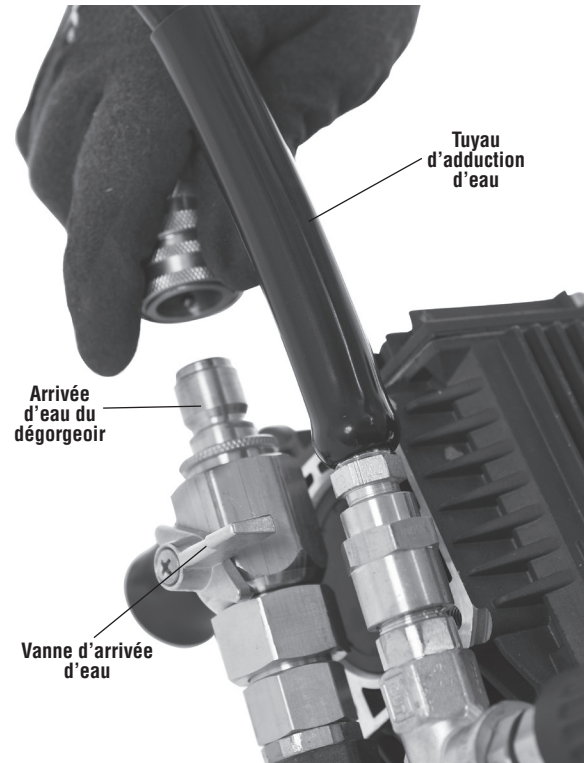


Figure 3 – Raccordement du tuyau d'adduction d'eau au dégorgeoir. Fermer la vanne d'arrivée d'eau (montrée en position fermée)

3. Attachez l'autre extrémité du tuyau d'adduction d'eau au robinet d'eau, puis ouvrez le robinet. Assurez-vous que le tuyau d'eau n'est pas plissé ou excessivement coudé.

**⚠ PRUDENCE** L'eau chaude améliorera les performances du dégorgeoir, surtout lors du dégagement des obstacles graisseux. Limitez la température de l'eau à 40°F.

4. Branchez le flexible haute-pression du dégorgeoir sur le raccord rapide à l'extrémité du tuyau de connexion. (Reportez-vous au *Tableau de sélection des flexibles haute-pression.*)
5. Lors de l'utilisation d'un enrouleur de flexible, branchez le tuyau de connexion au raccord de l'enrouleur.
6. Introduisez entre 6 et 8 po de flexible haute-pression dans la conduite d'évacuation sans y monter de buse.

7. Ouvrez la vanne d'arrivée d'eau et faites couler l'eau à travers le dégorgeoir sans mettre ce dernier en marche.
8. Continuez à faire couler l'eau à travers le dégorgeoir jusqu'à ce tout air soit purgé.
9. Fermez la vanne d'arrivée d'eau.

**NOTA !** Les dégorgeoirs KJI-2350 et KJ-1750 sont tous deux équipés d'un clapet antiretour pour empêcher les refoulements d'eau.

10. Montez une buse haute-pression sur le flexible haute-pression. (Reportez-vous au *Tableau de sélection des buses haute pression.*) Serrez la buse manuellement. Trop serrer risque de compromettre le débit d'eau et nuire aux performances.

**⚠ AVERTISSEMENT** Les buses ne doivent pas être retirées de la conduite d'évacuation tant que l'appareil est pressurisé. Marquez le flexible à une distance de 24 po (60 cm) en arrière de la buse pour indiquer la position de celle-ci.

11. Introduisez le flexible dans la conduite sur une distance de plusieurs pieds.
12. Ouvrez la vanne d'arrivée d'eau et assurez-vous que l'eau coule librement à travers la buse.
13. Branchez le dégorgeoir sur la prise électrique en faisant attention de passer son cordon d'alimentation

le long du passage dégagé précédemment établi. Si le cordon d'alimentation n'arrive pas jusqu'à la prise, utilisez une rallonge électrique en bon état.

**⚠ AVERTISSEMENT** Afin d'éviter les chocs électriques et les incendies, ne jamais utiliser de rallonge électrique endommagée ou qui ne répond pas aux critères suivants :

- La rallonge doit être équipée d'une fiche à trois barrettes, semblable à celle indiquée à la rubrique *Sécurité électrique.*
- Toute rallonge utilisée à l'extérieur doit être homologuée « W » ou « W-A ».
- La rallonge est de section suffisante (12 AWG). Si la section de ses conducteurs est insuffisante, la rallonge risque de surchauffer au point de fondre son isolation ou provoquer la combustion d'objets à proximité.

**⚠ AVERTISSEMENT** Afin de limiter les risques de choc électrique, gardez toutes connexions électriques au sec et surélevées. Ne pas toucher la fiche avec les mains mouillées. Testez le disjoncteur différentiel du cordon d'alimentation pour vous assurer qu'il fonctionne correctement. Lorsque vous appuyez sur sa touche de contrôle, son témoin devrait s'éteindre. Réactivez-le en enfonçant sa touche de réarmement. Si le disjoncteur différentiel ne fonctionne pas normalement, n'utilisez pas l'appareil.

### Tableau de sélection des buses haute-pression

Filetage	KJ-1350		KJ-1750	
	1/8 po NPT	1/4 po NPT	1/8 po NPT	1/4 po NPT
<b>Ø intérieur du flexible</b>	1/8 po & 1/16 po	1/4 po	1/8 po & 1/16 po	1/4 po
Équipé de trois jets de propulsion pour les curages de longue distance. Utilisez cette buse pour la majorité des applications.	H-21	H-31	H-41	H-51
Équipé de trois jets de propulsion et d'un jet frontal pour pénétrer les graisses et les amas de boue. La buse frontale ouvre un petit trou dans le blocage pour permettre à la buse de suivre. Elle est aussi très efficace pour l'élimination des blocages de glace.	H-22	H-31	H-42	H-52
Utilisez la tête orientable pour négocier les coudes serrés.	H-24		H-44	
Utilisez la buse tournante pour éliminer la graisse et les blocages similaires.	H-25		H-45	

### Tableau de sélection des flexibles haute-pression

Application	Ø conduite	Ø buse	Ø flexible	Ø int. du flexible
Lavabos, urinoirs et petites conduites	1 1/4 po – 2 po	1/8 po NPT	1/8 po	3/16 po
Eviers, bassins, cheminées, dégorgements et événements	2 po – 3 po	1/8 po NPT	3/16 po	1/4 po
Siphons de douche et de sol, conduites latérales et paniers à graisse	3 po – 4 po	1/4 po NPT	1/4 po	1/2 po

## Mode d'emploi

### ⚠ AVERTISSEMENT



**Risque de blessure oculaire. Le jet risque d'éclabousser ou projeter des objets. Portez systématiquement des lunettes de sécurité ou une visière en cours de pulvérisation. (Les lunettes de sécurité n'offrent pas une protection entière.)**

**Ne jamais utiliser le dégorgeoir lorsque son flexible haute-pression est hors d'une conduite d'évacuation. Le flexible risquerait de fouetter et provoquer des traumatismes, tandis que le jet est capable de pénétrer la peau et occasionner de graves lésions.**

**L'injection sous pression d'un liquide sous la peau peut occasionner de graves blessures allant jusqu'à l'amputation. Ne jamais diriger le jet vers autrui ou vers des animaux.**

**Ne jamais utiliser une source d'alimentation d'eau dont la température est supérieure à 140° F. Cela pourrait occasionner blessures et des brûlures et endommager le dégorgeoir.**

**Portez systématiquement les équipements de protection individuelle appropriés lors de la manipulation ou l'utilisation du matériel de curage. Les conduites d'évacuation peuvent renfermer des produits chimiques, des bactéries et autres substances potentiellement toxiques, infectieuses et capables d'occasionner des brûlures ou autres problèmes. Les équipements de protection individuelle appropriés comprennent systématiquement une protection oculaire et des gants, et peuvent aussi inclure des équipements tels que des gants en latex ou en caoutchouc, des vêtements de protection, un respirateur et des chaussures blindées.**

**Respectez le mode d'emploi suivant afin de limiter les risques de blessure par fouettement de flexible, injection de liquide sous haute pression, choc électrique ou autres causes.**

### Démarrage et réglage de pression

NOTA ! Les dégorgeoirs KJ-1350 et KJ-1750 sont tous les deux équipés d'une commande de pulsations. Les KJ-1350-2 et KLJ-1750 ont en plus une vanne de pulsations (Figure 5). La commande de pulsations et la vanne de pulsations doivent toutes deux être fermées (position OFF) avant la mise en marche du dégorgeoir. Pour maintenir un maximum de pression, les deux leviers doivent être fermés (position OFF).

1. Tournez la détente en sens antihoraire pour libérer la pression. Mettez l'interrupteur du dégorgeoir à la position ON (marche) et réglez la détente pour que le

manomètre indique une pression maximale de 1350 PSI (zone verte) sur le KJ-1350 et le KJ-1350-2. A cette pression, le KJ-1350 tire approximativement 14 ampères en 120 volts de courant alternatif.

2. Sur le KJ-1750, réglez la détente pour que le manomètre indique une pression de 1750 PSI (zone verte). A cette pression, le KJ-1750 tire approximativement 17 ampères en 120 Volts de courant alternatif (Figure 4).

NOTA ! La pression augmente en tournant la détente en sens horaire (+). Si le circuit électrique utilisé n'est pas à la hauteur, il sera nécessaire de réduire la pression (et donc, l'ampérage) pour éviter de déclencher son coupe-circuit ou griller son fusible.

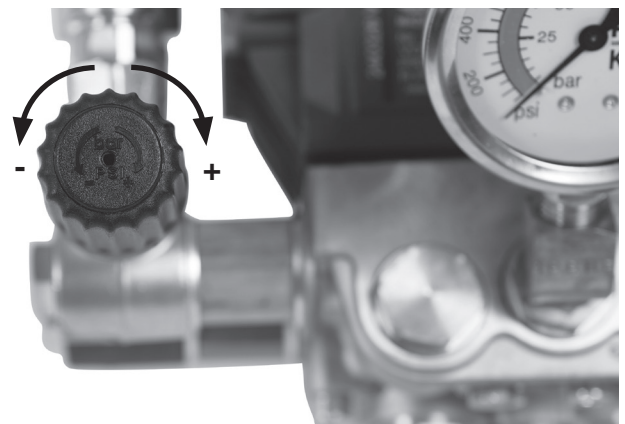


Figure 4 – Réglage de la détente

3. Si le dégorgeoir ne monte pas en pression :
  - Vérifiez que le robinet d'adduction d'eau est entièrement ouvert et que la vanne d'arrivée d'eau est ouverte.
  - Examinez le tamis de filtration à l'arrivée d'eau du dégorgeoir. Assurez-vous qu'il n'y a pas de débris.
  - Ouvrez et fermez la commande de pulsations du KJ-1350 ou KJ-1750 à plusieurs reprises avec le dégorgeoir en marche pour purger l'air du système.
  - Ouvrez et fermez la vanne de pulsations du KJ-1350-2 ou du KJ-1750 à plusieurs reprises pour purger l'air du système.
  - Tournez la détente en sens horaire et vérifiez que la pression augmente.

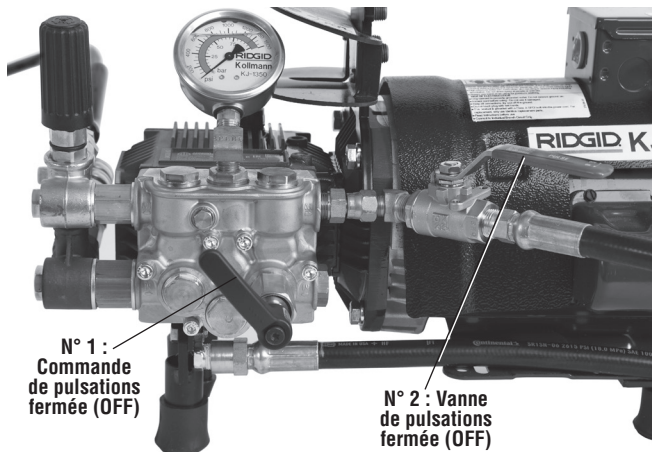


Figure 5 – Commande et vanne de pulsation fermées (Off)

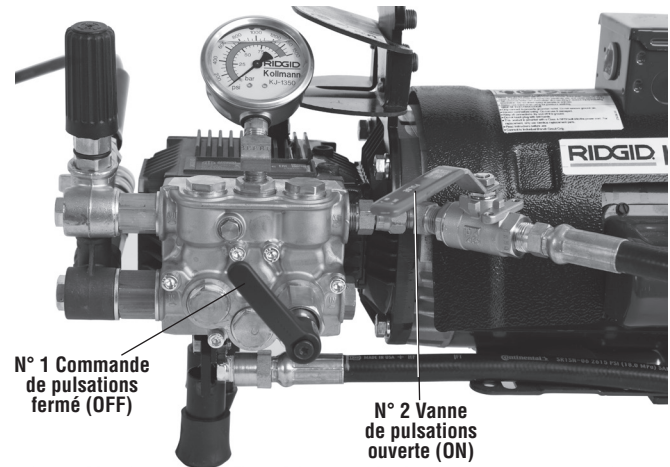


Figure 6 – Négociation des coudes et siphons

### Clapets de pulsation

Les dégorgeoirs KJ-1350 et KJ-1750 sont équipés de vannes de pulsation au niveau de la pompe. Amenez le levier en sens horaire pour engager le système de pulsation. Les dégorgeoirs KJ-1350 et KJ-1750 disposent de deux niveaux de pulsations, en plus de la vanne de pulsation. Il existe donc trois niveaux de pulsations différentes :

	Commande (n° 1)	Vanne (n° 2)
Normal	Fermée (OFF) Tous	Fermée (OFF) KJ-1350-2
Coudes et siphon	Fermée (OFF)	Ouvert (ON) KJ-1750
Coudes serrés	Ouvert (ON)	Ouvert (ON)

Pour obtenir un maximum de performance, vous devez comprendre l'utilisation appropriée de la commande et vanne de pulsation.

### Curage haute-pression normal

Tournez la commande (n° 1) à la position OFF (fermée). Tournez la vanne de pulsation (n° 2) du KJ-1350-2 et du KJ-1750 à la position OFF (fermée). Cela fournira le maximum de pression mais pas de pulsations.

1. Lorsque la buse haute-pression rencontre un coude, son avancement sera typiquement ralenti ou arrêté. Le flexible haute-pression est légèrement recourbé. Le jet de propulsion de la buse le fera avancer, mais il sera également nécessaire de pousser et tourner le flexible haute-pression pour négocier les coudes.
2. Si le flexible refuse d'avancer, retirez-le légèrement et tournez-le d'un quart ou d'un demi tour. Ensuite, poussez le flexible en avant.
3. Si le flexible refuse toujours d'avancer, il sera peut-être nécessaire d'activer le système de pulsation.

### Utilisation du mode Pulsations pour négocier les coudes et siphons

Dans certains cas, la simple rotation du flexible haute-pression ne suffira pas à négocier un coude ou un siphon. Le cas échéant, tournez la commande de pulsation (n° 1) à la position OFF (fermée) et la vanne (n° 2) du KJ-1350-2 ou du KJ-1750 à la position ON (ouverte, Figure 6). En mode pulsations, la pompe induit de fortes pulsations qui font vibrer le flexible haute-pression. Le fait de tourner le flexible haute-pression en présence de pulsations permettra normalement de franchir les coudes et siphons récalcitrants.

### Négociation des coudes serrés avec le (KJ-1350-2 ou le KJ-1750)

Le fait de mettre la commande et la vanne de pulsation toutes deux en position ON (ouverte) sur le KJ-1350-2 et le KJ-1750 produira des pulsations encore plus importantes. Cela assurera la vibration du flexible haute-pression et de la buse nécessaires au franchissement des coudes serrés (Figure 7).

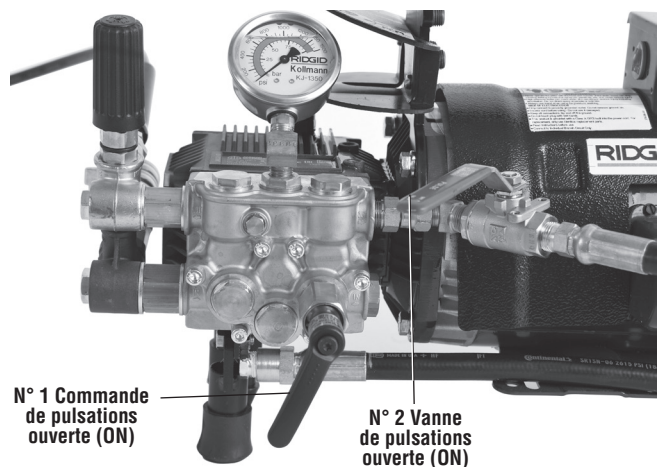


Figure 7 – Négociation des coudes serrés

NOTA ! En mode Pulsation, le manomètre du dégorgeoir indiquera approximativement 400 à 600 PSI.

NOTA ! Si, en cours de curage, la pression oscille entre 100 et 1000 PSI, arrêtez le dégorgeoir. Eteignez le dégorgeoir, fermez le robinet d'adduction d'eau, puis retirez la buse haute-pression et examinez ses orifices. Ceux-ci seront vraisemblablement bouchés. Nettoyez les orifices à l'aide de l'outil de nettoyage des buses en passant le fil de section approprié complètement à travers chaque orifice de propulsion.

Si le problème persiste, enlevez la buse et réintroduisez le flexible haute-pression dans la conduite d'évacuation. Examinez le tamis d'arrivée d'eau de l'appareil pour vous assurer qu'il est propre. Démarrez l'appareil pour en évacuer tous débris éventuels qui seraient susceptibles de nuire au bon fonctionnement de l'appareil.

Une fois le coude ou le siphon franchi, ramenez le levier de la commande et la vanne à la position fermée (OFF). Continuez à faire avancer la buse du dégorgeoir.

### Rencontre de blocages

Normalement, la buse haute-pression passera facilement à travers les amas de graisse et de boue. Les blocages plus récalcitrants nécessiteront parfois la manipulation du flexible accompagnée de pulsations.

Une fois l'obstacle franchi, faites plusieurs allés/retours dans cette zone pour parfaire le nettoyage de la conduite dans cette zone, puis avancez la buse sur quelques pieds de plus en aval avant de ramener le flexible en arrière.

### Nettoyage haute-pression des conduites

Le nettoyage haute-pression de la conduite se fait quand les jets de propulsion s'attaquent aux parois de celle-ci. Il s'agit des mêmes jets que ceux qui propulsent la buse le long de la canalisation. Ce nettoyage aide à retrouver le diamètre intérieur complet de la conduite. Plus le flexible haute-pression est retiré lentement, meilleurs seront les résultats.

Avant de commencer à retirer le flexible haute-pression de la conduite, mettez la vanne de pulsation (n° 2) à la position OFF (fermée). Cela produira un maximum de pression et de débit au niveau de la buse. Retirez le flexible haute-pression lentement pour nettoyer les parois de la conduite d'évacuation.

**⚠ AVERTISSEMENT** Ne jamais laisser l'extrémité du flexible sortir de la conduite en tournant. Le flexible risquerait de fouetter et son jet, de pénétrer la peau et occasionner des blessures.

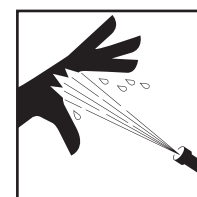
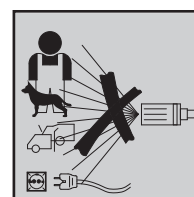
### Laveuse haute-pression

Le KJ-1350 et le KJ-1750 peuvent tous deux servir de laveuse haute-pression pour le lavage sous pression des

véhicules de service, des outils, du matériel de curage et des câbles. Leur pistolet de lavage monté sur un flexible de lavage haute-pression Ø ¼ po de 35 pieds se branche sur la sortie du dégorgeoir. L'utilisation du collecteur d'injection de détergeant permet d'effectuer un nettoyage plus efficace. Montez le flexible de lavage sur le collecteur et immergez l'autre extrémité dans une solution détergente.

### Utilisation du laveur haute-pression

#### ⚠ AVERTISSEMENT



**N'utiliser le dégorgeoir à porter d'autres individus que lorsque ceux-ci portent des vêtements de protection.**

**Un jet mal dirigé peut être dangereux. Le jet ne doit pas être dirigé vers des individus, du matériel électrique sous tension ou vers le dégorgeoir lui-même.**

**Ne dirigez pas le jet vers vous-même ou autrui dans le but de laver les vêtements ou les chaussures.**

**L'utilisation de produits de nettoyage haute-pression risque de former des aérosols. L'inhalation d'aérosols peut être dangereuse.**

**Risque d'explosion – Ne pas pulvériser de liquides inflammables.**

**L'employeur effectuera une évaluation des risques afin de spécifier les mesures de protection nécessaires en matière d'aérosols en fonction de la surface à nettoyer et le milieu d'exploitation. Les respirateurs classe FFP 2 ou similaires sont homologués pour la protection contre les aérosols aqueux.**

Avant d'utiliser le laveur haute-pression, fermez les deux vannes de pulsation (position OFF). Réglez la pression de l'appareil avec le pistolet activé. Le pistolet de lavage se monte sur le flexible Ø ¼ po de 35 pieds fourni ou sur tout autre flexible haute-pression Ø ¼ po. L'injecteur introduit du détergeant dans le débit d'eau pour assurer un nettoyage plus efficace. Pour utiliser l'injecteur :

1. Montez l'injecteur sur la sortie de l'appareil en enlevant d'abord le flexible et le tuyau d'adduction et le raccord rapide du dégorgeoir. Servez-vous de ruban à filetage pour éviter les fuites. Vérifiez que la flèche du collecteur pointe dans la bonne direction (à l'opposé du dégorgeoir).
2. Rebranchez le tuyau d'adduction d'eau et connectez le flexible de lavage au raccord rapide.
3. Mettez une extrémité du tuyau de relevage dans le récipient de détergeant et branchez l'autre sur le collecteur d'injection.

- La buse du pistolet de lavage permet deux réglages. Tournez la buse pour rendre le jet plus étroit ou plus large. Poussez la buse en avant pour réduire la pression. Les détergents ne peuvent être dispersés qu'à pression réduite.
- En fin d'application ramenez la buse en arrière pour rétablir la pression normale.

## Accessoires

### ⚠ AVERTISSEMENT

**Afin de limiter les risques de grave blessure corporelle, n'utilisez que les accessoires spécifiquement prévus pour les dégorgeoirs haute-pression RIDGID tels que ceux indiqués ci-après. L'utilisation d'accessoires adaptés à d'autres types d'appareil peuvent devenir dangereux lorsqu'ils sont utilisés avec les dégorgeoirs haute-pression RIDGID.**

### Buses et flexibles haute pression

Réf. catalogue	Modèle	Description	Filetage	Ø int.	Ø ext.
64707	H-21	Buse de propulsion KJ-1350	1/8 po NPT – pour flexible Ø 1/8 et 1/4 po		
64712	H-22	Buse de pénétration KJ-1350			
64717	H-24	Buse orientable KJ-1350			
82832	H-25	Buse tournante KJ-1350			
64722	H-31	Buse de propulsion KJ-1350	1/4 po NPT – pour flexible Ø 1/2 po		
64727	H-32	Buse de pénétration KJ-1350			
64742	H-41	Buse de propulsion KJ-1750	1/8 po NPT – pour flexible Ø 1/8 et 1/4 po		
64747	H-42	Buse de pénétration KJ-1750			
64752	H-44	Buse orientable KJ-1750			
82837	H-45	Buse tournante KJ-1750			
64757	H-51	Buse de propulsion KJ-1750	1/4 po NPT – pour flexible Ø 1/2 po		
64762	H-52	Buse de pénétration KJ-1750			
52957	H-1825	Flexible Ø 1/8 po de 25 pieds pour siphons d'évier		1/8 po	3/16 po
53037	H-1850	Flexible Ø 1/8 po de 50 pieds pour siphons d'évier		1/8 po	3/16 po
45792	H-1425	Flexible Ø 1/4 po de 25 pieds pour siphons		3/16 po	1/4 po
47597	H-1435	Flexible Ø 1/4 po de 35 pieds pour siphons		3/16 po	1/4 po
47602	H-1450	Flexible Ø 1/4 po de 50 pieds pour siphons		3/16 po	1/4 po
49272	H-1475	Flexible Ø 1/4 po de 75 pieds pour siphons		3/16 po	1/4 po
49277	H-1400	Flexible Ø 1/4 po de 100 pieds pour siphons		3/16 po	1/4 po
64732	H-1415	Flexible Ø 1/4 po de 150 pieds pour siphons		3/16 po	1/4 po
47607	H-1250	Flexible haute-pression Ø 1/2 po de 50 pieds		1/4 po	1/2 po
47612	H-1275	Flexible haute-pression Ø 1/2 po de 75 pieds		1/4 po	1/2 po
47617	H-1200	Flexible haute-pression Ø 1/2 po de 100 pieds		1/4 po	1/2 po
51587	H-1211	Flexible haute-pression Ø 1/2 po de 110 pieds		1/4 po	1/2 po
49487	H-1215	Flexible haute-pression Ø 1/2 po de 150 pieds		1/4 po	1/2 po
51597	H-1220	Flexible haute-pression Ø 1/2 po de 200 pieds		1/4 po	1/2 po
50002	HL-1	Guide flexible Ø 1/4 po de 12 po		1/8 po	3/16 po
50007	HL-2	Guide flexible Ø 1/2 po de 18 po		1/8 po	3/16 po

Le filetage 1/8 po sert aux flexibles pour siphons Ø 1/4 po  
Le filetage 1/4 NPT sert aux flexibles haute-pression Ø 1/2 et 3/8 po

## Autres accessoires

Réf. catalogue	Modèle	Description
64697	H-10	Diabie H-10 avec enrouleur
62592	H-10 WH	Diabie H-10 avec enrouleur et 100 pieds de flexible pour siphons Ø 1/4 po
62882	H-5	Mini enrouleur pour diabie H-10, capacité : Ø 1/4 po de 50 pieds
64737	H-30	Diabie H-30 avec enrouleur
62877	H-30 WH	Diabie H-30 avec enrouleur et 110 pieds de flexible pour siphons Ø 1/2 po
62887	HP-EL	Ens. lavage haute-pression pour dégorgeoirs électriques
64702	HW-EL	Pistolet de lavage pour dégorgeoirs électriques
51572	H-1235	Flexible de lavage Ø 1/2 po de 35 pieds
62897	H-10A	Adaptateur KJ-1750 pour diabie H-10
62892	H-30A	Adaptateur KJ-1350 pour diabie H-30
48367	H-25	Kit d'hivernisation
47542	H-21	Outil de nettoyage de buse
67187	H-32	Aspirateur Jet Vac

### Mini enrouleur H-5

L'enrouleur et les 100 pieds de flexible haute-pression Ø 1/4 po compris avec le diabie H-10 sont disponibles en tant qu'accessoire (H-5). L'enrouleur a une capacité totale de 150 pieds. L'enrouleur, accompagné d'une pédale de commande, peut servir au nettoyage à distance des événements.

**Pour la liste complète des accessoires RIDGID disponibles pour cet appareil, consultez le Catalogue Ridge Tool en ligne à RIDGID.com, ou reportez-vous à la rubrique Coordonnées RIDGID.**

## Remisage

**⚠ AVERTISSEMENT** Ces dégorgeoirs doivent être rangés à l'intérieur ou suffisamment bien protégés contre les intempéries. Rangez l'appareil dans un local sous clé, hors de la portée des enfants et de tout individu inhabitué aux dégorgeoirs. Cet appareil peut occasionner de graves blessures s'il tombe entre les mains d'utilisateurs manquant de formation.

## Consignes d'entretien

### ⚠ AVERTISSEMENT

**Assurez-vous que l'appareil est débranché avant toute intervention d'entretien ou de réglage.**

**Portez systématiquement des lunettes de sécurité et des gants lors de l'entretien de l'appareil afin de vous protéger contre les produits chimiques et bactéries que peuvent renfermer les conduites d'évacuation.**

### Tamis d'arrivée d'eau

Avant chaque intervention :

- Examinez le tamis d'arrivée d'eau pour signes de débris susceptibles de limiter le débit d'eau vers la pompe et compromettre les performances de l'appareil. Si le tamis est encrassé ou bouché, retirez-le, nettoyez-le, puis réinstallez-le.

### Orifices de buse haute-pression

Avant chaque intervention :

- Faites couler l'eau à travers le dégorgeoir et son (ou ses) flexible(s) afin d'évacuer les débris et détergents éventuels. Assurez-vous que la buse a été retirée pour assurer un débit d'eau maximal. Un rinçage du système doit être effectué après chaque utilisation de l'injecteur de manière à éliminer les résidus de détergent.

### Rinçage du dégorgeoir

En fin d'opération :

- Rincez le dégorgeoir et son ou ses flexible(s) à l'eau claire afin d'en éliminer les débris et traces de détergent éventuels. N'oubliez pas d'enlever la buse pour assurer un maximum de débit. L'utilisation de l'injecteur doit être toujours suivi d'un rinçage afin d'éliminer tout détergent résiduel.

### Hivernisation

**⚠ PRUDENCE** Le gel peut sérieusement endommager la pompe. Si des températures négatives sont à craindre durant son remisage, remplissez le dégorgeoir haute-pression d'antigel RV (sans éthylène glycol).

Le nécessaire d'hivernisation H-24 comprend de l'antigel RV avec tuyau de remplissage équipé d'un raccord rapide qui se connecte à la vanne d'arrivée d'eau.

**⚠ AVERTISSEMENT** L'agence de protection de l'environnement (EPA) interdit le déversement de substances contenant de l'éthylène glycol dans les réseaux d'évacuation.

### Révisions et réparations

**⚠ AVERTISSEMENT**  
**Toute révision ou réparation mal exécutée peut rendre cet appareil dangereux.**

La rubrique *Consignes d'entretien* devrait couvrir la majorité des besoins de maintenance de cet appareil. Toute anomalie qui ne serait pas couverte dans cette rubrique devrait être confiée exclusivement à un réparateur indépendant agréé par RIDGID. N'utilisez que des pièces de rechange RIDGID.

Reportez-vous à la rubrique *Coordonnées RIDGID* pour trouver le réparateur indépendant le plus proche ou pour toutes questions d'entretien ou de réparation éventuelle.

### Dépannage

Anomalie	Cause	Rectification
Le dégorgeoir tourne mais ne produit pas ou peu de pression.	Manque d'eau à l'arrivée.	Assurez-vous que le robinet du réseau est ouvert. Assurez-vous que la vanne d'arrivée d'eau est ouverte. Assurez-vous que le tuyau d'arrivée d'eau n'est pas bouchée, plissée ou écrasée.
Le dégorgeoir n'atteint pas la pression nominale au démarrage.	Présence d'air dans le système. Obturation des orifices de la buse haute-pression.	Enlevez la buse du flexible haute-pression et faites tourner le dégorgeoir pour chasser l'air ou d'éventuels débris du système. Enlevez la buse et nettoyez ses orifices à l'aide de l'outil fourni.
L'indication du manomètre oscille entre 500 et la pression nominale.	Obturation des orifices de la buse haute-pression. Présence d'air ou de débris dans le système.	Enlevez la buse. Nettoyez-la en passant la tringle appropriée de l'outil de nettoyage à travers chacun de ses orifices pour déloger les débris. Enlevez la buse et introduisez le flexible haute-pression dans la conduite. Faites tourner le dégorgeoir pour chasser l'air ou d'éventuels débris du système.

## Recyclage

Certains composants de ces appareils contiennent des métaux précieux susceptibles d'un recyclage éventuel. Certaines entreprises spécialisées dans ce type de recyclage peuvent éventuellement se trouver dans le secteur. Disposez des composants de l'appareil selon la réglementation en vigueur. Consultez votre centre de recyclage local pour de plus amples renseignements.

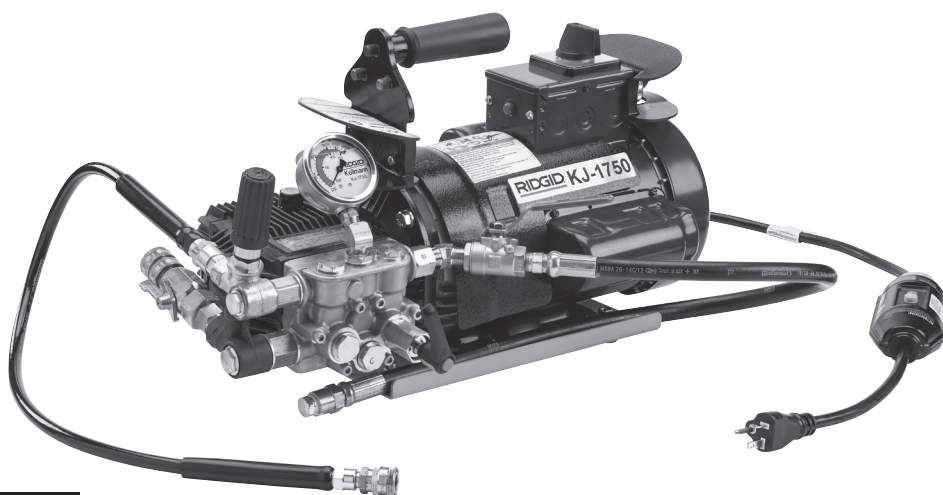


**A l'attention des pays de la communauté européenne :** Ne jetez pas de matériel électrique avec les ordures ménagères !

Selon la directive européenne 2012/19/UE, d'application nationale et visant le recyclage des déchets électriques et électroniques, tout matériel électrique hors d'usage doit être collecté séparément et recyclé de manière écologiquement responsable.



## Limpiadoras de agua a presión KJ-1350 y KJ-1750



### **⚠️ ADVERTENCIA!**

Antes de utilizar este aparato, lea detenidamente este Manual del Operario. Pueden ocurrir descargas eléctricas, incendios y/o graves lesiones si no se entienden y siguen las instrucciones de este manual.

### Máquinas limpiadoras de agua a presión KJ-1350 y KJ-1750

Apunte aquí y guarde el número de serie del producto; se encuentra en su placa de características.

N.º de serie

--


## Índice de materias

Formulario de registro para el número de serie de la máquina .....	31
Simbología de seguridad .....	33
<b>Información de seguridad general para máquinas eléctricas</b>	
Seguridad en la zona de trabajo .....	33
Seguridad eléctrica .....	33
Seguridad personal .....	34
Uso y cuidado de las máquinas eléctricas .....	34
Servicio .....	35
<b>Información de seguridad específica</b>	
Seguridad de la limpiadora a presión .....	35
Instrucciones para conectar a tierra .....	36
Protección con Interruptor del Circuito de Pérdida a Tierra (GFCI) .....	36
Cordones de extensión .....	36
<b>Información de contacto RIDGID®</b> .....	36
<b>Descripción</b> .....	37
<b>Especificaciones</b> .....	37
Equipo estándar .....	37
<b>Ensamblaje de la máquina</b> .....	37
Instrucciones de la bomba .....	37
Carritos de transporte .....	38
<b>Inspección previa a la operación</b> .....	39
<b>Montaje de la máquina y zona de trabajo</b> .....	40
Tabla de selección de toberas .....	40
Tabla de selección de mangueras .....	41
<b>Instrucciones de funcionamiento</b> .....	41
Puesta en marcha y ajuste de presión .....	42
Válvulas de control de pulsaciones .....	42
Limpieza normal a presión .....	42
Modalidad de pulsaciones para atravesar codos y sifones .....	42
Curvas difíciles (con la KJ-1350-2 y la KJ-1750) .....	43
Bloqueos .....	43
Limpieza a presión de la tubería .....	43
Paquete de lavado a presión .....	43
Funcionamiento como lavadora .....	43
<b>Equipo opcional</b> .....	44
Toberas y mangueras de las limpiadoras de agua a presión .....	44
Accesorios de las limpiadoras de agua a presión .....	44
Mini-carrete para manguera H-5 .....	44
<b>Almacenamiento de la máquina</b> .....	44
<b>Instrucciones de mantenimiento</b>	
Malla del filtro de entrada .....	44
Orificios de las toberas de las limpiadoras a presión .....	45
Lavado de la limpiadora .....	45
Acondicionamiento para el invierno .....	45
Servicio y reparaciones .....	45
Resolución de problemas .....	45
Eliminación .....	46
<b>Declaración de conformidad</b> .....	Interior de la carátula posterior
<b>Garantía de por vida</b> .....	Carátula posterior

Instrucciones originales en inglés

## Simbología de seguridad

En este manual del operario y en el producto mismo encontrará símbolos de seguridad y palabras de advertencia que comunican importante información de seguridad. Para su mejor comprensión, en esta sección se describe el significado de estas palabras y símbolos de advertencia.


 Este es el símbolo de una alerta de seguridad. Sirve para prevenir al operario de las lesiones corporales que podría sufrir. Obedezca todas las instrucciones de seguridad que acompañan a este símbolo para evitar posibles lesiones o muerte.


**⚠ PELIGRO** Este símbolo de PELIGRO advierte de una situación de peligro que, si no se evita, produce la muerte o lesiones graves.


**⚠ ADVERTENCIA** Este símbolo de ADVERTENCIA avisa de una situación de peligro que, si no se evita, podría producir la muerte o lesiones graves. injury.


**⚠ CUIDADO** Este símbolo de CUIDADO advierte de una situación de peligro que, si no se evita, podría producir lesiones leves o moderadas.


**AVISO** Un AVISO advierte de la existencia de información relacionada con la protección de un bien o propiedad.


 Este símbolo significa que es necesario leer detenidamente su manual del operario antes de usar el equipo. El manual del operario contiene información importante acerca del funcionamiento apropiado y seguro del equipo.


 Cuando limpie a presión, siempre use protección apropiada para los ojos, tales como gafas protectoras o careta. (Los anteojos de seguridad no aportan buena protección.)


 Este símbolo indica que existe el riesgo de que el agua a presión se dirija al cuerpo, que causaría lesiones por perforación e inyección en la piel.

 Este es el símbolo de información e indica que puede conseguir información sobre el producto (incluyendo el manual del operario) al escanear el código QR adyacente.

 Este símbolo indica que los chorros de alta presión pueden ser peligrosos si no se usan correctamente. El chorro no debe dirigirse hacia las personas, equipos conectados a la electricidad ni al artefacto en sí.

 Este símbolo indica que hay riesgo de choque de electricidad.

 Este símbolo indica que hay riesgo de que la manguera de la limpiadora dé latigazos y cause lesiones por golpes o inyección.

 Este símbolo indica que el equipo marcado tiene un peso superior a 55 libras (25 kg). Levante o traslade el equipo con cuidado para reducir el riesgo de lesiones.

## Información de seguridad general para máquinas eléctricas

### ⚠ ADVERTENCIA

**Lea todas las advertencias de seguridad, instrucciones, ilustraciones y especificaciones que se incluyen con esta máquina. Si no se respetan todas las instrucciones que siguen, podrían producirse descargas eléctricas, incendios y/o lesiones graves.**

### ¡GUARDE TODAS LAS ADVERTENCIAS E INSTRUCCIONES PARA SU POSTERIOR CONSULTA!

El término "máquina eléctrica" en las advertencias se refiere a máquinas enchufadas en un tomacorriente (máquinas con cordón) o a máquinas que funcionan con baterías (máquinas sin cordón).

### Seguridad en la zona de trabajo

- Mantenga su zona de trabajo limpia y bien iluminada. Los lugares desordenados u oscuros pueden provocar accidentes.

- No haga funcionar las máquinas eléctricas en ambientes explosivos, es decir, en presencia de líquidos, gases o polvo inflamables. Las máquinas eléctricas generan chispas que podrían encender los gases o el polvo.

- Mientras haga funcionar una máquina eléctrica, mantenga alejados a los niños y espectadores. Cualquier distracción podría hacerle perder el control del aparato.

### Seguridad eléctrica

- El enchufe del aparato eléctrico debe corresponder al tomacorriente. Jamás modifique el enchufe del aparato. No utilice un enchufe adaptador cuando haga funcionar una herramienta eléctrica provista de conexión a tierra. Los enchufes intactos y tomacorrientes que les corresponden reducen el riesgo de choques de electricidad.
- Evite el contacto de su cuerpo con artefactos conectados a tierra tales como cañerías, radiadores, estufas o cocinas, y refrigeradores. Aumenta el

riesgo de choques de electricidad si su cuerpo ofrece conducción a tierra.

- **No exponga las máquinas eléctricas a la lluvia ni permita que se mojen.** Cuando a un aparato eléctrico le entra agua, aumenta el riesgo de choques de electricidad.
- **No maltrate el cordón eléctrico del aparato. Nunca transporte el aparato tomándolo de su cordón eléctrico ni jale del cordón para desenchufarlo del tomacorriente. Mantenga el cordón alejado del calor, aceite, bordes cortantes o piezas móviles.** Un cordón enredado o en mal estado aumenta el riesgo de choques de electricidad.
- **Al hacer funcionar una máquina eléctrica a la intemperie, emplee un cordón de extensión fabricado para uso al aire libre.** Los cordones diseñados para su empleo al aire libre reducen el riesgo de choques de electricidad.
- **Si resulta inevitable el empleo de una máquina eléctrica en un sitio húmedo, enchúfela en un tomacorriente GFCI (dotado de un Interruptor del Circuito de Pérdida a Tierra).** El interruptor GFCI reduce el riesgo de choques de electricidad.

### Seguridad personal

- **Manténgase alerta, preste atención a lo que está haciendo y use el sentido común cuando haga funcionar una máquina eléctrica. No use ninguna máquina eléctrica si usted está cansado o se encuentra bajo la influencia de drogas, alcohol o medicamentos.** Tan solo un breve descuido durante el funcionamiento de una máquina eléctrica puede resultar en lesiones graves.
- **Use equipo de protección personal. Siempre use protección para los ojos.** Según corresponda para cada situación, colóquese equipo de protección como mascarilla para el polvo, calzado de seguridad antideslizante, casco o protección para los oídos, con el fin de reducir las lesiones personales.
- **Evite echar a andar un aparato sin querer. Asegure que el interruptor esté en la posición OFF (apagado) antes de enchufar el aparato a la corriente eléctrica o de conectarlo a sus baterías, de tomarlo o acarrearlo.** Se pueden producir accidentes cuando se transportan máquinas eléctricas con el dedo puesto sobre su interruptor, o se las enchufa o conecta a la fuente de corriente con el interruptor en la posición ON (encendido).
- **Extraiga cualquier llave de ajuste que esté acoplada a la máquina eléctrica antes de encenderla.**

Una llave acoplada a una parte giratoria de la máquina eléctrica puede producir lesiones personales.

- **No trate de extender el cuerpo para alcanzar algo. Tenga los pies bien plantados y mantenga el equilibrio en todo momento.** Esto permite un mejor control de la máquina eléctrica en situaciones inesperadas.
- **Vístase adecuadamente. No lleve ropa suelta ni joyas. Mantenga su cabello, ropa y guantes apartados de las piezas en movimiento.** La ropa suelta, las joyas o el pelo largo pueden engancharse en las piezas móviles.
- **No deje que su familiaridad con las herramientas le haga abandonar los principios de seguridad de las máquinas.** Un descuido puede causar una lesión grave en menos de un segundo.

### Uso y cuidado de las máquinas eléctricas

- **No fuerce los aparatos eléctricos. Use el equipo correcto para la tarea que está por realizar.** Con la máquina eléctrica adecuada se hará mejor el trabajo y en forma más segura en la clasificación nominal para la cual fue diseñada.
- **Si el interruptor del aparato no lo enciende o no lo apaga, no utilice el aparato.** Cualquier máquina eléctrica que no se pueda controlar mediante su interruptor es un peligro y debe repararse.
- **Almacene las máquinas eléctricas que no estén en uso fuera del alcance de los niños y no permita que las hagan funcionar personas que no estén familiarizadas con la máquina o no hayan leído estas instrucciones de operación.** Las máquinas eléctricas son peligrosas en manos de personas no capacitadas.
- **Haga la mantención necesaria de las máquinas eléctricas y sus accesorios. Revise el equipo para verificar que las piezas móviles no estén mal alineadas o agarradas. Verifique que no tenga partes rotas ni presente alguna otra condición que podría afectar su funcionamiento. Si un aparato está dañado, hágalo reparar antes de utilizarlo.** Muchos accidentes se deben a máquinas eléctricas que no han recibido un mantenimiento adecuado.
- **Mantenga las herramientas de corte afiladas y limpias.** Las herramientas de corte bien mantenidas y provistas de filos afilados son menos propensas a agarrarse y son más fáciles de controlar.
- **Utilice la máquina eléctrica, accesorios y barrenas, etc., únicamente conforme a estas instrucciones, tomando en cuenta las condiciones de trabajo y la tarea que debe realizar.** El uso de la máquina eléc-

trica para trabajos diferentes a los que le corresponden podría producir una situación peligrosa.

- **Mantenga los mangos y asideros secos, limpios y exentos de grasa y aceite.** Si están resbalosos los mangos y asideros, no podrá trabajar con seguridad ni controlar la máquina en situaciones inesperadas.

### Servicio

- **Encomiende el servicio de la máquina eléctrica únicamente a técnicos calificados que usen repuestos idénticos a las piezas originales.** Así se garantiza la continua seguridad de la máquina eléctrica.

## Información de seguridad específica

### ⚠ ADVERTENCIA

**Esta sección contiene información de seguridad importante que es específica para estos aparatos.**

**Antes de utilizar las máquinas limpiadoras de agua a presión, lea estas precauciones detenidamente, para reducir el riesgo de choques de electricidad y otras lesiones graves.**

### ¡GUARDE TODAS LAS ADVERTENCIAS E INSTRUCCIONES PARA SU POSTERIOR CONSULTA!

Mantenga este manual junto con la máquina para que lo use el operario.

### Seguridad de las limpiadoras de agua a presión

- **Nunca haga funcionar la limpiadora de agua a presión con el extremo de la manguera fuera del desagüe.** La manguera puede dar latigazos y golpearlo, o el agua a chorro puede penetrar la piel y causar lesiones graves.

**⚠ ADVERTENCIA** – **Riesgo de inyección o lesiones.** No apunte el chorro de agua hacia personas. El agua a alta presión puede inyectarse debajo de la piel, causando lesiones graves que podrían llevar a la amputación. Jamás apunte el chorro de agua hacia una persona o un animal.

- **Es importante usar mangueras, acoplamientos y conexiones aptos para alta presión, para la seguridad del aparato.** Use solamente mangueras, acoplamientos y conexiones que recomiende el fabricante.
- **No haga funcionar la limpiadora a una presión superior a la nominal ni con agua de entrada a una temperatura superior a 140 °F.** Así evita el riesgo de lesiones como quemaduras, y daños a la máquina.

- **Sepa cómo detener la máquina y agotar la presión rápidamente.** Debe conocer los controles perfectamente.
- **La limpiadora de agua a presión no debe ser usada por niños o empleados no capacitados.** Es necesario supervisar el lugar cuidadosamente cuando se usa la limpiadora a presión cerca de niños.
- **Cuando se usan máquinas de agua a presión se pueden formar aerosoles.** Debe conocer los controles perfectamente.
- **Hay riesgo de lesiones a los ojos. El chorro puede salpicar hacia atrás o lanzar objetos.** Siempre use protección apropiada para los ojos, tales como gafas protectoras o careta. (Los anteojos de seguridad no aportan suficiente protección.)
- **Siempre use equipo de protección personal apropiado mientras manipula o emplea una máquina de limpieza de desagües.** El desagüe puede contener sustancias químicas, bacterias y otras materias que podrían ser tóxicas, infecciosas, causar quemaduras u otros problemas. El equipo de protección personal siempre debe incluir protección para los ojos y guantes; también podría incluir guantes de látex o caucho, ropa protectora, respirador y calzado con punteras de acero.
- **Preocúpese de su higiene personal. Luego de manipular o utilizar equipos de limpieza de desagües, use jabón y agua caliente para lavarse las manos y otras partes del cuerpo que hayan tenido contacto con los líquidos del desagüe.** No coma ni fume mientras manipule o haga funcionar una máquina limpiadora de desagües. Así evita contaminarse con materiales tóxicos o infecciosos.
- **No use la limpiadora para rociar líquidos tóxicos o inflamables.** Así se reduce el riesgo de quemaduras, incendio, explosiones y lesiones graves.
- **Si la máquina se conecta a un sistema de agua potable, debe proteger la red contra el reflujo.** Se considera que el agua que atraviesa un protector contra reflujo no es potable.
- **Nunca use el chorro de la limpiadora a presión para limpiar la máquina misma.** El chorro a presión podría dañar los componentes de la máquina.
- **Nunca dirija el chorro de la limpiadora a aparatos eléctricos o a cables de electricidad.** Así reduce el riesgo de choques de electricidad.
- **Antes de hacer funcionar esta máquina, lea y comprenda este manual, y las advertencias e instrucciones para todos los equipos que se usen con esta máquina.** Si no se respetan todas las ad-

vertencias e instrucciones podrían producirse daños materiales y/o lesiones graves.

### Instrucciones para conectar a tierra

- **Este aparato debe tener conexión a tierra. En caso de avería o falla de la máquina, la conexión a tierra proporciona una vía de baja resistencia para conducir la electricidad lejos del operario y evitar el choque eléctrico.** El cordón de este aparato tiene un conductor de conexión a tierra y un enchufe de conexión a tierra. Es necesario enchufar la máquina a un tomacorriente correctamente instalado y conectado a tierra según todos los códigos y reglamentos locales.

**⚠ PELIGRO** Si el conductor a tierra del equipo no está correctamente conectado a tierra, hay riesgo de electrocución. Si tiene alguna duda acerca de la conexión a tierra del tomacorriente, consulte a un electricista acreditado o personal de servicio. No modifique el enchufe del aparato. Si el enchufe no puede colocarse en el tomacorriente, pida a un electricista acreditado que instale un tomacorriente apropiado. No use ningún tipo de adaptador con este aparato.

- **Los aparatos con conexión a tierra deben enchufarse en un tomacorriente correctamente instalado y con conexión a tierra según todos los códigos y reglamentos. Nunca elimine el enchufe de conexión a tierra ni modifique el enchufe en forma alguna. No use enchufes adaptadores. Si tiene alguna duda acerca de la conexión a tierra del tomacorriente, consulte a un electricista acreditado.** En caso de falla eléctrica del aparato, la conexión a tierra proporciona una vía de baja resistencia para conducir la electricidad lejos del operario.

### Protección con Interruptor del Circuito de Pérdida a Tierra (GFCI)

- **Esta limpiadora a presión tiene un interruptor del circuito de pérdida a tierra (GFCI) de clase A incorporado en el enchufe del cordón de electricidad.** Esto brinda protección adicional contra el riesgo de choque de electricidad. Si fuera necesario reemplazar el enchufe o el cordón, use solamente repuestos idénticos que incluyan la protección de GFCI clase A.
- **Antes de usar la máquina, pruebe el interruptor GFCI del cordón de electricidad, para asegurar que funcione correctamente.** Un interruptor GFCI dañado aumenta el riesgo de choque de electricidad.

### Cordones de extensión

- **Solo use un cordón de extensión de tres alambres equipado con un enchufe de tres clavijas para conexión a tierra, y un tomacorriente tripolar que acepte las tres clavijas del enchufe de la máquina.**

- **Use solamente cordones de extensión diseñados para el uso al aire libre.** Estos cordones de extensión se identifican mediante una frase que dice "Aceptable para usar con aparatos al aire libre; guardar bajo techo cuando no se use".
- **Use solamente cordones de extensión que tengan una clasificación eléctrica nominal que no se inferior a la clasificación nominal del aparato.**
- **No use cordones de extensión dañados.** Examine el cordón de extensión antes de usarlo y reemplácelo si está dañado. No maltrate el cordón de extensión ni lo jale para desenchufarlo. Mantenga el cordón alejado del calor y bordes filosos.
- **Siempre extraiga el enchufe del cordón de extensión para desconectarlo del tomacorriente, antes de desconectar el aparato del cordón de extensión.**  
**⚠ ADVERTENCIA** Para reducir el riesgo de electrocución, mantenga todas las conexiones secas y alzadas del suelo. No toque el enchufe con las manos mojadas.
- **No se recomienda el uso de cordones de extensión salvo que se les enchufe en cajas de circuitos o tomacorrientes ya dotados de un interruptor del circuito de pérdida a tierra.** El GFCI presente en el cordón de la máquina no evita choques eléctricos provenientes de un cordón de extensión.

## Información de contacto RIDGID

Si tiene alguna pregunta acerca de este producto RIDGID®:

- Comuníquese con el distribuidor RIDGID® más cercano.
- Visite RIDGID.com para encontrar su contacto RIDGID más cercano.
- Comuníquese con el Departamento de Servicio Técnico de Ridge Tool en ProToolsTechService@Emerson.com o llame por teléfono desde Estados Unidos o Canadá al 844-789-8665.

## Descripción

Las máquinas KJ-1350 y KJ-1750 de RIDGID® son limpiadoras de agua a presión portátiles, diseñadas para usar el caudal y presión del agua para limpiar atascos blandos y de grasa en desagües de 1¼ pulgada a 4 pulgadas. Las limpiadoras de agua a presión se pueden transportar a mano o con un carrito de dos ruedas y carrete de manquera.

La limpiadora KJ-1350 tiene un motor eléctrico de 1½ HP y una presión nominal de 1350 PSI, con un caudal de 1,4 galones por minuto. Está diseñada para usarse en viviendas y negocios pequeños.

La limpiadora KJ-1750 tiene un motor de 2 HP, una presión nominal de 1750 PSI y un caudal de 1,4 galones por minuto. Está diseñada para el uso industrial y en grandes comercios.

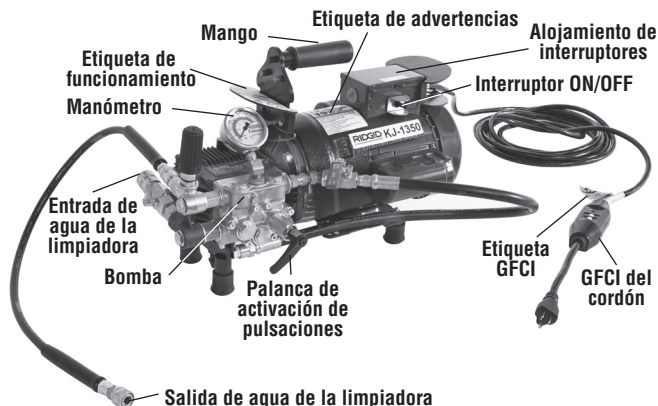


Figura 1 A – Máquina limpiadora de agua a alta presión (se muestra la KJ-1350)

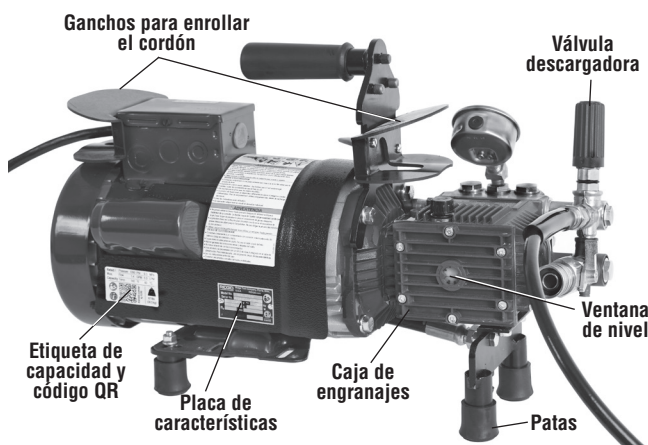


Figura 1 B – Máquina limpiadora de agua a alta presión (se muestra la KJ-1350)

## Especificaciones

### KJ-1350

Diámetro del desagüe .....	Recomendada para desagües de 1¼" a 4" y de hasta 200 pies.
Motor .....	1½ HP a 1725 RPM, 14 A
Voltaje .....	120 V
Bomba.....	Bomba de émbolo dúplex
Presión .....	1350 PSI
Caudal.....	1,4 galones por minuto
Peso (solamente la limpiadora) .....	67 libras (30,5 kg)

### KJ-1750

Diámetro del desagüe .....	Recomendada para desagües de 1¼" a 4" de hasta 200 pies.
----------------------------	--

Motor .....	2 HP a 1725 RPM, 17 A
Voltaje .....	120 V
Bomba.....	Bomba de émbolo dúplex
Presión .....	1750 PSI
Caudal.....	1,4 galones por minuto
Peso (solamente la limpiadora) .....	75 libras (34,0 kg)

## Para uso profesional solamente

### Equipo estándar

Todas las limpiadoras de agua a presión incluyen:

- Toberas apropiadas
- Una herramienta para limpiar toberas

Vea en el catálogo RIDGID los equipos específicos suministrados con cada número de catálogo.

**AVISO** Esta máquina ha sido fabricada para limpiar desagües. Si se utiliza correctamente, no dañará un desagüe que esté bien diseñado, bien construido y mantenido. Si el desagüe está en malas condiciones o ha sido mal diseñado, construido y mantenido, es posible que el proceso de limpieza no resulte eficaz o cause daños al desagüe. La mejor forma de determinar las condiciones de un desagüe antes de limpiarlo es hacer una inspección visual con una cámara. El uso inapropiado de esta limpiadora de agua a presión podría dañar la máquina y el desagüe. Es posible que esta máquina no logre desatascar todas las obstrucciones.

## Ensamblaje de la máquina

### ⚠ ADVERTENCIA

**Para prevenir lesiones graves durante el uso de la máquina y para no dañarla, ensamble la limpiadora correctamente de acuerdo a los siguientes procedimientos.**

### Instrucciones de la bomba

Extraiga el tapón de la bomba y coloque en su lugar la varilla medidora del aceite / tapa con respiradero. Revise el nivel de aceite en la bomba. La limpiadora se entrega con aceite. Si el nivel de aceite es insuficiente, llene la bomba con aceite no detergente SAE 30W.

### Carritos de transporte

#### Carrito H-10

El carrito de dos ruedas está diseñado para aceptar la limpiadora KJ-1350 y la limpiadora KJ-1350-2 sin necesidad de herramientas. Levante la limpiadora y deslícela sobre el carrito de manera que un extremo se conecta al carrito y el otro extremo se conecta mediante los postes que se introducen en el receptáculo (Figura 2 A). Apriete el mango

T para trabar la limpiadora. Se dispone de un kit adaptador para montar la limpiadora KJ-1750 sobre el carrito H-10.

El carrete y la manguera de ¼" de diámetro interior y 100 pies de largo se montan en el receptáculo cerca del mango (Figura 2 B). Coloque el poste del carrete dentro del receptáculo y apriete el mango T.

El carrito H-10 se puede acortar para facilitar su almacenamiento, o se puede alargar. Para hacerlo, afloje los dos mangos T en los travesaños del carrito y acorte o alargue el aparato con el mango.

**⚠ ADVERTENCIA** Apriete bien todos los mangos T antes de levantar o transportar el carrito.

### Carrito H-30 y carrete de manguera

El carrito H-30 y el carrete de manguera, de mayor tamaño, están diseñados para aceptar la limpiadora KJ-1750 sin necesidad de herramientas. Levante la limpiadora y colóquela sobre la plataforma del carrito, encajándola en los pasadores de localización. Sujete la limpiadora en esa posición y conecte los clips de atrás y de adelante a la base de la limpiadora. Se dispone de un kit adaptador para montar la limpiadora KJ-1350 sobre el carrito H-30.

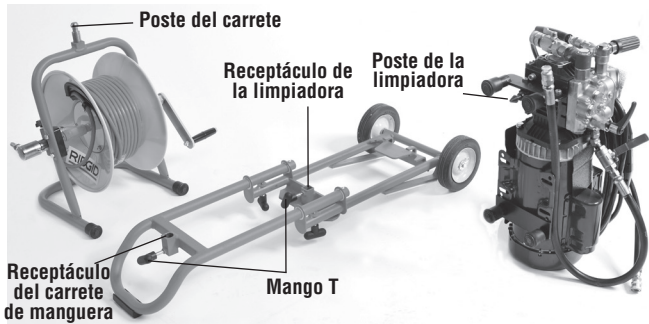


Figura 2 A – Limpiadora de agua a presión, carrito H-10 y carrete de manguera

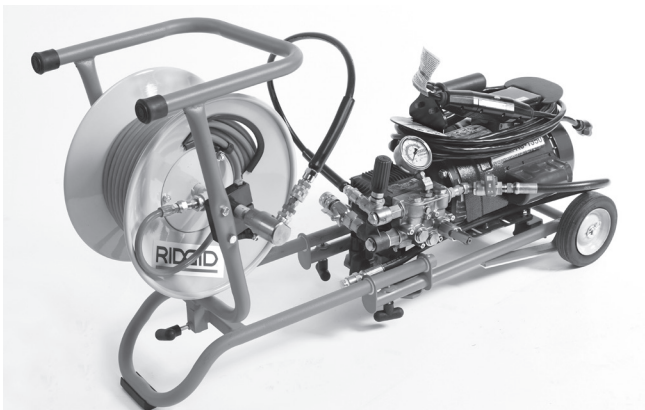
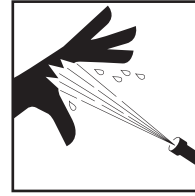


Figura 2 B – Limpiadora de agua a presión, carrito H-10 y carrete de manguera

## Inspección previa a la operación

### ⚠ ADVERTENCIA



**Antes de cada uso, inspeccione la limpiadora de agua a presión y corrija cualquier problema que detecte para reducir el riesgo de lesiones graves por impacto de agua a alta presión o por otras causas, y para evitar daños a la máquina.**

**Cuando haga la inspección de la limpiadora, póngase siempre anteojos de seguridad, guantes y todos los equipos de protección personal apropiados, para protegerse contra sustancias químicas y bacterias en la máquina.**

1. Revise el nivel de aceite de la bomba. Si el nivel está bajo, llene el depósito con aceite no detergente SAE 30W.

¡NOTA! Debe guardar la limpiadora con la base hacia abajo. Nunca guarde la limpiadora en posición vertical porque el aceite de la bomba se saldrá del depósito.

2. Inspeccione la limpiadora para verificar que no tenga piezas quebradas, faltantes, mal alineadas o trabadas, y que no manifieste ninguna condición que podría afectar el funcionamiento seguro y normal de la máquina. Si detecta algún problema, no use la limpiadora de agua a presión hasta que la haya hecho reparar.
3. Revise el cordón de electricidad, el interruptor GFCI y el enchufe para verificar que no estén dañados. Si se ha modificado el enchufe, si falta la clavija de conexión a tierra o si el cordón está dañado, reemplace el cordón antes de volver a usar la limpiadora.

**⚠ ADVERTENCIA** Cuando reemplace el cordón, use solamente piezas de repuesto idénticas y que incluyan la protección GFCI.

4. Inspeccione la malla del filtro de entrada para verificar que no tenga residuos que podrían limitar el flujo de agua a la bomba, lo cual reduciría el rendimiento. Si la malla del filtro está sucia u obturada, extraiga el filtro, límpielo y vuelva a colocarlo.
5. Use accesorios diseñados para usar con la limpiadora de agua a presión y que cumplan con las necesidades de la tarea. Con los accesorios correctos, completará la tarea mejor y en forma más segura. Los accesorios apropiados para usar con otros equipos podrían ser peligrosos si se usan con esta máquina.



6. Quite el aceite, grasa y suciedad de todos los mangos y controles. Esto evita que los mangos y controles se resbalen de sus manos, y se produzcan lesiones.
7. Revise los orificios de la tobera para verificar que no tengan residuos. Los orificios se destapan con una herramienta para limpiar toberas.
8. Inspeccione las mangueras para verificar que no estén desgastadas o dañadas. Reemplace las mangueras si están dañadas.

**⚠ ADVERTENCIA** Una manguera dañada se puede reventar y causar lesiones graves. Use solamente mangueras que tengan una clasificación de presión que sea igual o mayor a la presión de trabajo de la limpiadora.

## Montaje de la máquina y zona de trabajo

### ⚠ ADVERTENCIA



Cuando instale la limpiadora de agua a presión, póngase siempre anteojos de seguridad, guantes y otros equipos de protección personal apropiados, para protegerse contra sustancias químicas y bacterias en la máquina. Se recomienda usar calzado con suela de caucho antideslizante para evitar resbalarse en el suelo mojado.

Haga el montaje de la limpiadora y zona de trabajo según los procedimientos siguientes, con el fin de reducir los riesgos de lesiones producidas por agua a alta presión, quemaduras químicas, infecciones, choque de electricidad y otras causas, y para evitar daños a la limpiadora.

1. Revise la zona de trabajo para verificar lo siguiente:
  - Hay buena iluminación.
  - No hay líquidos, vapores o polvo inflamables que podrían incendiarse.
  - Hay un tomacorriente de 20 A, conectado a tierra.
  - Hay una senda despejada para conectar el cordón al tomacorriente, sin fuentes de calor, aceite, bordes filosos o piezas móviles que podrían dañar el cordón.
  - Hay un lugar seco para el operario y la máquina. No use la máquina si está parado en una superficie con agua.
  - Hay un suministro de agua.

¡NOTA! Si conecta la limpiadora a un sistema de agua potable, debe proteger el sistema contra el reflujo, según los códigos y reglamentos locales.

2. Conecte el acoplamiento rápido a la manguera de entrada de agua. Conecte la manguera de suministro de agua a la entrada de la limpiadora y cierre la válvula de entrada (Figura 3).

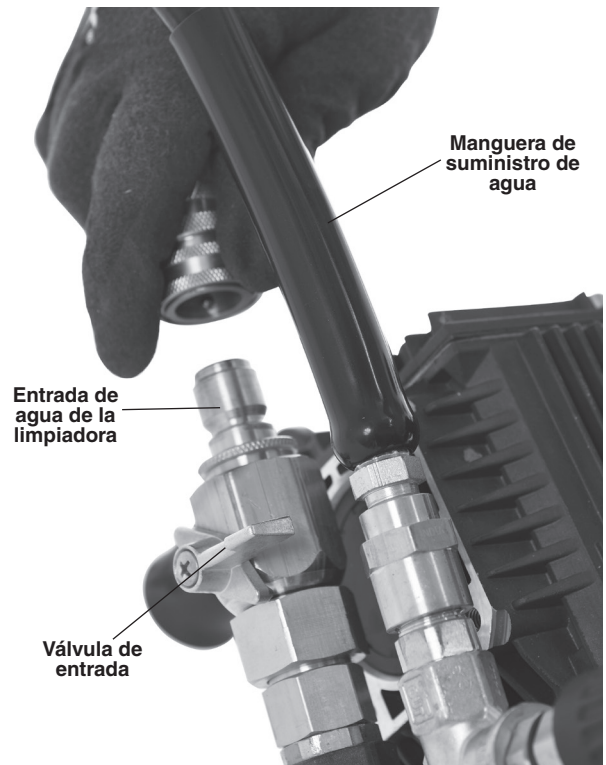


Figura 3 – Conexión de la manguera de suministro de agua a la limpiadora. Cierre la válvula de entrada (está cerrada en la imagen).

3. Conecte al grifo el otro extremo de la manguera de suministro de agua, y abra el grifo. Revise la manguera para asegurar que no esté torcida ni plegada.

**⚠ CUIDADO** La limpiadora de agua a presión tiene mejor rendimiento si se usa agua caliente, especialmente para limpiar atascos de grasa. Limite la temperatura del agua para que sea inferior a 140 °F.

4. Acople una manguera al conector rápido ubicado en el extremo de la manguera de conexión de la limpiadora. Consulte la *Tabla de selección de mangueras*.
5. Si se va a emplear un carrete de manguera, acople la manguera de conexión al acoplamiento en el carrete.
6. Introduzca la manguera de la limpiadora 6 pulgadas a 8 pulgadas dentro del desagüe, sin tobera.
7. Abra la válvula de entrada y permita que fluya agua por la limpiadora y las mangueras, estando la máquina apagada (OFF).
8. Siga haciendo correr el agua por la limpiadora, hasta purgar todo el aire.
9. Cierre la válvula de entrada.

¡NOTA! La limpiadora KJ-1350 y la limpiadora KJ-1750 tienen válvulas de retención para impedir el reflujo.

10. Conecte una tobera a la manguera de la limpiadora. Consulte la *Tabla de selección de toberas*. Apriete la conexión a mano hasta que esté firme. Si aprieta la conexión demasiado, puede interferir con el flujo de agua a través de los orificios de la tobera, y el flujo reducido reduce el rendimiento de la máquina.

**⚠ ADVERTENCIA** No extraiga la tobera del desagüe si el sistema está a presión. Marque la manguera a una distancia de 24 pulgadas (60 cm) de la tobera para advertirle al usuario que la tobera se encuentra pronta a emerger del desagüe.

11. Introduzca la manguera de la limpiadora varios pies dentro del desagüe.
12. Abra la válvula de entrada y verifique que el agua fluye fácilmente por la tobera.
13. Enchufe la limpiadora en el tomacorriente y asegure que el cordón de electricidad tenga un recorrido despejado. Si el cordón de electricidad no tiene el largo suficiente para alcanzar el tomacorriente, use un cordón de extensión que esté en buenas condiciones.

**⚠ ADVERTENCIA** Para evitar choques de electricidad e incendios de origen eléctrico, nunca use un cordón de extensión que esté dañado o que no cumpla con las siguientes condiciones:

- El cordón tiene un enchufe de tres clavijas semejante a lo indicado en la sección *Seguridad eléctrica*.
- Si el cordón se usará al aire libre, tiene la clasificación "W" o "W-A".
- Los alambres del cable tienen un grosor suficiente (12 AWG). Si los alambres son demasiado delgados, se puede sobrecalentar el cordón; esto puede fundir el aislamiento del cordón o encender objetos cercanos.

**⚠ ADVERTENCIA** Para evitar choques de electricidad, mantenga todas las conexiones eléctricas alzadas del suelo y secas. No toque el enchufe con las manos mojadas. Pruebe el interruptor GFCI incorporado en el cordón de electricidad para verificar que funciona correctamente. Cuando oprima el botón de prueba, debe apagarse la luz indicadora. Para volver a activar el interruptor GFCI, oprima el botón de reinicio. Si se enciende la luz indicadora, la máquina está lista para utilizarse. No use la máquina si el interruptor GFCI no funciona correctamente.

## TABLA DE SELECCIÓN DE TOBERAS

	KJ-1350		KJ-1750	
	1/8" NPT	1/4" NPT	1/8" NPT	1/4" NPT
<b>Tamaño de la rosca</b>	1/8" NPT	1/4" NPT	1/8" NPT	1/4" NPT
<b>Diámetro interior de la manguera</b>	1/8" y 1/16"	1/4"	1/8" y 1/16"	1/4"
Tiene tres chorros de propulsión que apuntan hacia atrás para lograr un máximo de fuerza limpiadora en recorridos largos. Use esta tobera para la mayoría de los trabajos.	H-21	H-31	H-41	H-51
Emplea tres chorros de propulsión que apuntan hacia atrás y un chorro que apunta hacia delante, para penetrar atascos de grasa sólida y bloqueos de fango. El chorro que arremete hacia delante perfora un pequeño boquete en el atasco, abriéndole camino al avance de la tobera. Es también muy eficaz para limpiar tubos taponados con hielo.	H-22	H-31	H-42	H-52
Use la tobera de cabezal articulado para atravesar curvas difíciles.	H-24		H-44	
Use la tobera giratoria para eliminar atascos de grasa y semejantes.	H-25		H-45	

## TABLA DE SELECCIÓN DE MANGUERAS

Aplicaciones	Diám. del tubo	Tamaño de la tobera	Manguera (DI)	Manguera (DE)
Lavabos, urinarios, tubos angostos.	1/4" a 2"	1/8" NPT	1/8"	3/16"
Fregaderos, tinas de lavandería, conductos verticales, desagües de rebalse, tubos de ventilación.	2" a 3"	1/8" NPT	3/16"	1/4"
Desagües de duchas y resumideros en el piso, tuberías laterales, trampas de grasa.	3" a 4"	1/4" NPT	1/4"	1/2"

## Instrucciones de funcionamiento

### ⚠ ADVERTENCIA



**Riesgo de lesiones a los ojos. El rocío puede salpicar hacia atrás o lanzar objetos. Siempre use protección apropiada para los ojos, tales como gafas protectoras y careta, cuando haga funcionar la limpiadora. Los anteojos de seguridad no proporcionan suficiente protección.**

**Nunca haga funcionar la limpiadora de agua a presión si la punta de la manguera no está dentro del desagüe. La manguera puede dar latigazos y golpearlo, y el agua de los chorros puede penetrar su piel, causando lesiones graves.**

**El agua a alta presión puede inyectarse debajo de la piel, causando lesiones graves que podrían llevar a la amputación. Jamás apunte el chorro de agua hacia una persona o un animal.**

**No haga funcionar la limpiadora a una presión superior a la nominal ni con agua de admisión a una temperatura superior a 140 °F. Así evita el riesgo de lesiones como quemaduras y daños a la máquina.**

**Siempre use equipo de protección personal apropiado mientras manipula o emplea una máquina de limpieza de desagües. El desagüe puede contener sustancias químicas, bacterias y otras sustancias que podrían ser tóxicas, infecciosas, causar quemaduras u otros problemas. El equipo de protección personal siempre debe incluir protección para los ojos y guantes; también podría incluir guantes de látex o caucho, ropa protectora, respirador y calzado con punteras de acero.**

**Siga estas instrucciones de funcionamiento para reducir el riesgo de lesiones debidas a latigazos de la manguera, inyección de agua a presión en la piel, choque de electricidad y otras causas.**

### Puesta en marcha y ajuste de presión

¡NOTA! La limpiadora KJ-1350 y la limpiadora KJ-1750 tienen accionadores de pulsaciones. La KJ-1350-2 y la KJ-1750 tienen una válvula de pulsaciones adicional (Figura 5). El accionador de pulsaciones y la válvula amortiguadora deben estar en posición OFF antes de poner la limpiadora en marcha (ON). Para lograr una presión máxima, ambos controles de pulsaciones deben estar en OFF.

1. Gire la válvula descargadora hacia la izquierda para asegurar que se ha reducido la presión. Coloque el interruptor de la limpiadora en ON y ajuste la válvula descargadora para que el manómetro indique una presión máxima de 1350 (zona verde) en la limpiadora KJ-1350 y la KJ-1350-2. A esta presión, el consumo de corriente de las limpiadoras KJ-1350 es de

aproximadamente 14 amperios cuando la máquina funciona con corriente CA de 120 V.

2. Con la máquina KJ-1750, ajuste la válvula descargadora para que el manómetro indique una presión de 1750 PSI (zona verde). A esta presión, el consumo de corriente de la limpiadora KJ-1750 es de aproximadamente 14 amperios cuando la máquina funciona con corriente CA de 120 V (Figura 4).

¡NOTA! La presión de funcionamiento se puede aumentar girando la válvula descargadora hacia la derecha (+). Si la limpiadora no tiene un circuito eléctrico independiente, podría ser necesario reducir la presión (consumo de corriente) para impedir que se dispare el cortacircuitos o se salte el fusible correspondiente.

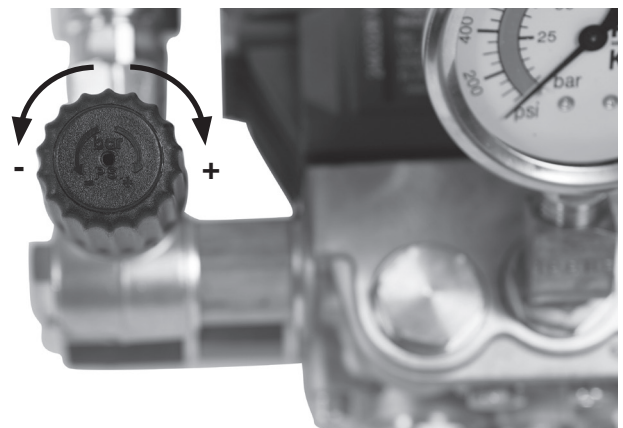


Figura 4 – Ajuste de la válvula descargadora

3. Si la limpiadora de agua a presión no alcanza la presión necesaria, haga lo siguiente:
  - Asegure que el grifo de agua esté abierto y la válvula de entrada de agua esté completamente abierta.
  - Revise el filtro de malla en el puerto de entrada a la limpiadora y verifique que no tenga residuos.
  - Active y desactive (ON/OFF) el accionador de pulsaciones varias veces mientras la limpiadora KJ-1350 o la limpiadora KJ-1750 esté en marcha, para purgar el aire atrapado en el sistema.
  - Abra y cierre (ON/OFF) la válvula amortiguadora de pulsaciones varias veces en la limpiadora KJ-1350-2 y la limpiadora KJ-1750 para purgar el aire atrapado en el sistema.
  - Gire la válvula descargadora hacia la derecha para aumentar la presión.

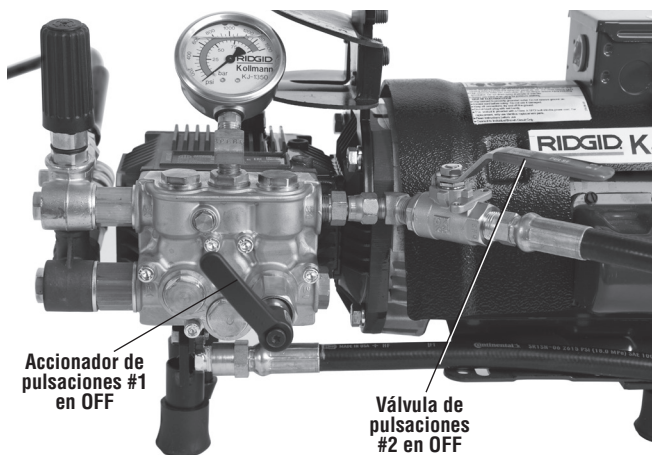


Figura 5 – Accionador de pulsaciones y válvula de pulsaciones en OFF

### Válvulas de control de pulsaciones

La bomba de las limpiadoras KJ-1350 y KJ-175 tiene un accionador de pulsaciones. Si gira la palanca hacia la derecha, se activa la modalidad de pulsaciones. Las limpiadoras KJ-1350 y KJ-1750 tienen dos niveles de pulsaciones, debido a la válvula de pulsaciones. Se consiguen tres tipos de pulsaciones diferentes:

	Accionador (#1)	Válvula (#2)
Normal	OFF – todas	OFF KJ-1350-2
Curvas y sifones	OFF	ON KJ-1750
Codos difíciles	ON	ON

Para que la limpiadora funcione en forma óptima, es necesario entender el uso apropiado del accionador de pulsaciones y la válvula de pulsaciones.

### Limpeza normal

Gire el accionador de pulsaciones (#1) a la posición OFF. Gire la válvula de pulsaciones en la limpiadora KJ-1350-2 y KJ-1750 a la posición OFF. Así logra la presión máxima, sin pulsaciones.

1. Cuando la tobera de la limpiadora llega a una curva o un codo, generalmente se detiene o avanza más lentamente. La manguera de la limpiadora tiene una leve curvatura. El chorro en reversa que sale de la tobera hace avanzar la limpiadora pero además es necesario ir metiendo y girando la manguera a mano para franquear las curvas.
2. Si la manguera deja de avanzar, retráigala un poco y gire la manguera en un cuarto de vuelta o media vuelta. Luego siga introduciendo la manguera.
3. Si aun no avanza la manguera de la limpiadora, podría ser necesario iniciar las pulsaciones.

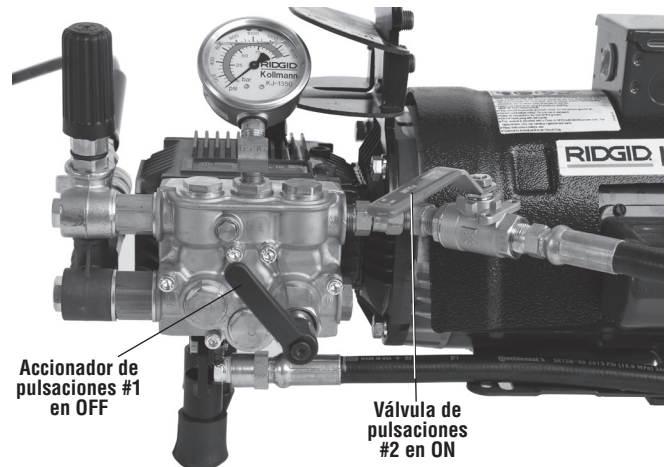


Figura 6 – Ajustes para franquear curvas y sifones

### Modalidad de pulsaciones para atravesar curvas y sifones

En algunos casos no es suficiente hacer rotar la manguera para que atravesase un codo o sifón. En estos casos, coloque el accionador de pulsaciones (#1) en OFF y la válvula (#2) para la limpiadora KJ-1350-2 y KJ-1750 en la posición ON (Figura 6). En la modalidad de pulsaciones, la bomba induce fuertes pulsaciones y hace vibrar la manguera de la limpiadora. Si gira la manguera mientras la limpiadora funciona en la modalidad de pulsaciones, generalmente podrá atravesar codos y sifones difíciles.

### Curvas difíciles (con la KJ-1350-2 y la KJ-1750)

Cuando se activan en ON el accionador de pulsaciones (#1) y la válvula de pulsaciones (#2) en la limpiadora KJ-1350-2 y la KJ-1750, se logran pulsaciones de mayor amplitud. Esto hace vibrar la tobera y la manguera de la limpiadora de agua a presión, facilitando su penetración a través de curvas difíciles (Figura 7).

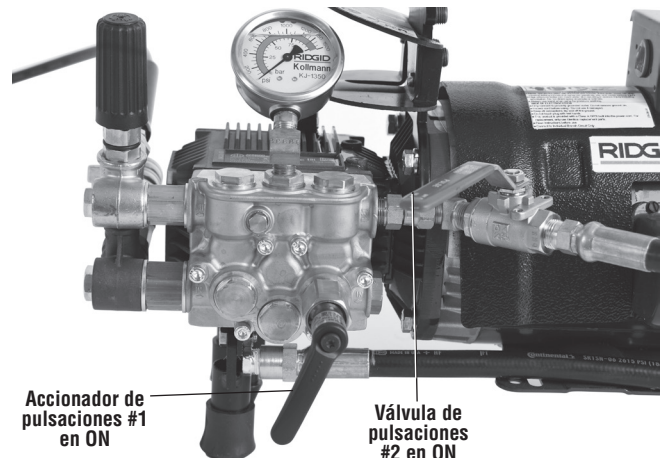


Figura 7 – Ajustes para franquear curvas difíciles

¡NOTA! En la modalidad de pulsaciones, el manómetro de la limpiadora de agua a presión indicará una presión de aproximadamente 400 a 600 PSI.

¡NOTA! Si en algún momento durante la tarea de limpieza se produce una oscilación de la presión entre 100 PSI y 1000 PSI, detenga la máquina. Apague la limpiadora (OFF) y corte el suministro de agua, extraiga la tobera y examine los orificios de la tobera. Es probable que estén bloqueados. Limpie los orificios con el aparato para limpiar toberas, empujando el alambre de grosor apropiado completamente a través de cada orificio de la tobera.

Si persiste el problema, quite la tobera e introduzca la manguera dentro del desagüe. Revise la malla del filtro de entrada de agua y verifique que está limpio. Vuelva a echar a andar la máquina para purgar el aire que podría estar atrapado y arrastrar los residuos que podrían estar alterando el funcionamiento de la máquina.

Una vez que la manguera haya franqueado la curva o el sifón, vuelva a colocar la palanca del accionador de pulsaciones y la válvula de pulsaciones en posición OFF. Siga introduciendo la tobera de la limpiadora por el tubo.

### Bloqueos

Normalmente la tobera de la limpiadora atraviesa los bloqueos blandos y de grasa fácilmente. Los bloqueos más difíciles podrían exigir una manipulación de la manguera junto con las pulsaciones producidas por la bomba.

Una vez que atravesase el bloqueo, dele varias pasadas a esa sección del tubo, adelantando y retirando la tobera de la limpiadora para asegurar una limpieza completa; luego haga avanzar la tobera varios pies más por el desagüe antes de recuperar la manguera.

### Limpieza a presión de la tubería

La limpiadora de agua a presión limpia las paredes de un tubo lanzándoles chorros de agua a través de los orificios de la tobera. Esta misma presión produce una fuerza de empuje que dirige la tobera hacia adelante por el tubo. Esta acción de limpieza ayuda a recuperar el diámetro despejado original del tubo. Mientras más lentamente retire la manguera del tubo, mejores serán los resultados.

Antes de retirar la manguera del desagüe, gire la válvula amortiguadora de pulsaciones (#2) a la posición OFF. Esto aumenta al máximo la presión y el flujo en la tobera. Lentamente vaya retirando la manguera y limpiando las paredes del desagüe.

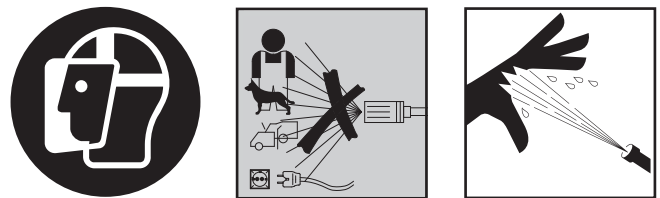
**⚠ ADVERTENCIA** Nunca permita que el extremo de la manguera salga girando del tubo. La manguera puede dar latigazos y el chorro de la tobera puede penetrar la piel, causando lesiones graves.

### Paquete de lavado a presión

La limpiadora KJ-1350 y la limpiadora KJ-1750 pueden utilizarse como lavadoras a presión, para lavar por aspersión vehículos de servicio, herramientas, equipo de limpieza de desagües y cables. La varilla de lavado acoplada a la manguera de ¼ pulgada x 35 pies se conecta al puerto de salida de la limpiadora de agua a presión. Para una limpieza más eficaz, puede usar un múltiple inyector de detergente. Conecte la manguera de agua al múltiple inyector de detergente y sumerja el otro extremo en una solución líquida.

### Funcionamiento como lavadora

#### ⚠ ADVERTENCIA



**No use la limpiadora de agua a presión cerca de personas, a no ser que usen ropa de protección.**

**Los chorros de agua a alta presión pueden ser peligrosos si no se usan correctamente. El chorro no debe dirigirse hacia personas, equipos conectados a la electricidad ni a la misma máquina limpiadora de agua a presión.**

**No dirija el chorro hacia sí mismo o hacia otros para limpiar la ropa o el calzado.**

**Cuando se usa una limpiadora de alta presión se pueden formar aerosoles. La inhalación de aerosoles puede ser dañina a la salud.**

**Riesgo de explosión – no rocíe líquidos inflamables.**

**El empleador debe realizar una evaluación de riesgo para determinar cuáles medidas de protección habría que tomar con respecto a los aerosoles, según la superficie que se desee limpiar y su entorno. Para proteger contra la inhalación de aerosoles acuosos, se debe usar máscara de clase FFP 2 o su equivalente, o máscara de mayor clasificación.**

Para usar la máquina como lavadora a presión, coloque las dos válvulas de pulsaciones en OFF. Ajuste la presión del sistema, estando activada la varilla de lavado. La varilla de lavado se ajusta a la manguera provista, de ¼ pulgada de diámetro y 35 pies de largo, o se ajusta a cualquier manguera de limpiadora a presión de diámetro interior de ¼ pulgada. El inyector introduce un detergente al flujo de agua, para mejorar la limpieza. Para usar el inyector:

1. Acople el inyector de detergente al puerto de salida; para hacerlo, quite la manguera de conexión y el acoplamiento rápido en la limpiadora. Use un sellador de roscas para prevenir fugas de agua. Asegure que la flecha del múltiple apunte en sentido contrario a la limpiadora.

2. Vuelva a conectar la manguera de conexión y acople la varilla de lavado al acoplamiento rápido.
3. Coloque un extremo de una manguera de sifonaje dentro del recipiente con detergente y el otro extremo en el múltiple inyector.
4. La varilla de lavado tiene dos ajustes en la tobera. Al hacer rotar la tobera, el abanico de agua que sale de la varilla puede ser ancho o angosto. Puede empujar la tobera hacia adelante para que el agua salga a baja presión. Se inyecta detergente solamente cuando la varilla de lavado está en el ajuste de baja presión.
5. Cuando finalice la aplicación, jale la tobera hacia atrás, para lograr la presión máxima.

## Equipo opcional

### ⚠ ADVERTENCIA

**Para reducir el riesgo de lesiones graves, emplee únicamente accesorios específicamente diseñados y recomendados para las limpiadoras de agua a presión RIDGID, como los que se muestran a continuación. Los accesorios apropiados para usar con otras máquinas pueden ser peligrosos si se usan con limpiadoras de agua a presión RIDGID.**

## Toberas y mangueras de las limpiadoras de agua a presión

N.º de cat.	N.º modelo	Descripción	Conexión	DI	DE
64707	H-21	KJ-1350, tobera de propulsión	1/8" NPT Se ajustan a mangueras de 1/8" y 1/4"		
64712	H-22	KJ-1350, tobera de penetración			
64717	H-24	KJ-1350, tobera de cabezal articulado			
82832	H-25	KJ-1350, tobera giratoria			
64722	H-31	KJ-1350, tobera de propulsión	1/4" NPT Se ajustan a mangueras de 1/2"		
64727	H-32	KJ-1350, tobera de penetración			
64742	H-41	KJ-1750, tobera de propulsión	1/8" NPT Se ajustan a mangueras de 1/8" y 1/4"		
64747	H-42	KJ-1750, tobera de penetración			
64752	H-44	KJ-1750, tobera de cabezal articulado			
82837	H-45	KJ-1750, tobera giratoria			
64757	H-51	KJ-1750, tobera de propulsión	1/4" NPT Se ajustan a mangueras de 1/2"		
64762	H-52	KJ-1750, tobera de penetración			
52957	H-1825	Manguera para sifón de fregadero, 1/8" x 25 pies		1/8"	3/16"
53037	H-1850	Manguera para sifón de fregadero, 1/8" x 50 pies		1/8"	3/16"
45792	H-1425	Manguera para sifón, 1/4" x 25 pies		3/16"	1/4"
47597	H-1435	Manguera para sifón, 1/4" x 35 pies		3/16"	1/4"
47602	H-1450	Manguera para sifón, 1/4" x 50 pies		3/16"	1/4"
49272	H-1475	Manguera para sifón, 1/4" x 75 pies		3/16"	1/4"
49277	H-1400	Manguera para sifón, 1/4" x 100 pies		3/16"	1/4"
64732	H-1415	Manguera para sifón, 1/4" x 150 pies		3/16"	1/4"
47607	H-1250	Manguera de eyección, 1/2" x 50 pies		1/4"	1/2"
47612	H-1275	Manguera de eyección, 1/2" x 75 pies		1/4"	1/2"
47617	H-1200	Manguera de eyección, 1/2" x 100 pies		1/4"	1/2"
51587	H-1211	Manguera de eyección, 1/2" x 110 pies		1/4"	1/2"
49487	H-1215	Manguera de eyección, 1/2" x 150 pies		1/4"	1/2"
51597	H-1220	Manguera de eyección, 1/2" x 200 pies		1/4"	1/2"
50002	HL-1	Líder flexible, 1/4" x 12"		1/8"	3/16"
50007	HL-2	Líder flexible, 1/2" x 18"		1/8"	3/16"

DI = diámetro interior de la manguera; DE = diámetro exterior de la manguera  
1/8" NPT se ajusta a mangueras para sifón de 1/4"  
1/4" NPT se ajusta a mangueras de eyección de 1/2" y 3/8"

## Accesorios de las limpiadoras de agua a presión

N.º de catálogo	N.º de modelo	Descripción
64697	H-10	Carrito H-10 con carrete de manguera
62592	H-10 WH	Carrito H-10 con carrete de manguera y manguera para sifón, 1/4" x 100 pies
62882	H-5	Mini-carrete de manguera (se ajusta al carrito H-10), 1/4" x 150 pies
64737	H-30	Carrito H-30 con carrete de manguera
62877	H-30 WH	Carrito H-30 con carrete de manguera y manguera de eyección, 1/2" x 110 pies
62887	HP-EL	Paquete de lavado a presión, limpiadoras eléctricas
64702	HW-EL	Varilla de lavado, limpiadoras eléctricas
51572	H-1235	Manguera de la varilla de lavado, 1/2" x 35 pies
62897	H-10A	Adaptador para ajustar la limpiadora KJ-1750 al carrito H-10
62892	H-30A	Adaptador para ajustar la limpiadora KJ-1350 al carrito H-30
48367	H-25	Kit de acondicionamiento para el invierno
47542	H-21	Herramienta para limpiar toberas
67187	H-32	Aspiradora Jet Vac

### Mini-carrete de manguera H-5

El carrete de manguera y 100 pies de manguera de eyección de 1/4" se proporcionan junto con el carrito H-10 y también se pueden conseguir como accesorio del carrito H-5. La capacidad total del carrete es de 150 pies. El carrete de manguera, utilizado con una válvula de pie, se puede usar para la limpieza a presión a distancia, a través de tubos de ventilación en techos.

**Para ver una lista completa de los equipos RIDGID disponibles para estas máquinas, consulte el catálogo de Ridge Tool en línea en RIDGID.com o vea la Información de contacto.**

## Almacenamiento de la máquina

**⚠ ADVERTENCIA** Guarde la limpiadora de agua a presión bajo techo o bien tapada si se guarda al aire libre en un lugar expuesto a la lluvia. Guarde la máquina bajo llave, fuera del alcance de niños y personas no capacitadas para usar limpiadoras de desagües. Esta máquina puede causar graves lesiones en manos de personas no capacitadas.

## Instrucciones de mantenimiento

### ⚠ ADVERTENCIA

**Desenchufe la máquina antes de hacerle mantenimiento o de hacerle algún ajuste.**

**Siempre use gafas protectoras y guantes cuando le haga mantenimiento a esta máquina, para protegerse contra sustancias químicas y bacterias que estarían presentes en el desagüe.**

### Malla del filtro de entrada

Antes de usar la máquina:

- Revise la malla del filtro para verificar que no tenga residuos que podrían limitar el flujo de agua hacia la bomba y reducir el rendimiento. Si la malla del filtro

está tapada con residuos o sucia, extraiga el filtro, lávelo y vuelva a colocarlo.

### Orificios de las toberas de las limpiadoras a presión

Antes de usar la máquina:

- Revise los orificios de la tobera para verificar que no tengan residuos. Si encuentra orificios bloqueados, use el aparato limpiador de toberas para desbloquearlos y elimine los residuos.

### Lavado de la limpiadora

Después de usar la máquina:

- Haga correr agua limpia a través de la limpiadora a presión y las mangueras, para arrastrar residuos y detergente. Extraiga la tobera de la manguera para lograr un flujo máximo de agua. Siempre lave el sistema después de usar el inyector, para eliminar los residuos de detergente.

### Acondicionamiento para el invierno

**⚠ CUIDADO** Las temperaturas heladas pueden dañar la bomba. Si la máquina estará almacenada en un lugar helado, coloque solución anticongelante RV en la limpiadora a presión. No use anticongelante de etilenglicol.

El kit a acondicionamiento para el invierno incluye anti-congelante RV y una manguera con acoplamiento rápido que se conecta a la válvula de entrada.

**⚠ ADVERTENCIA** Por mandato de la Agencia de Protección del Medio Ambiente (EPA), está prohibido colocar sustancias que tienen etilenglicol en un sistema de desagües.

### Servicio y reparaciones

**⚠ ADVERTENCIA**  
**Esta máquina podría tornarse insegura si se la repara o mantiene incorrectamente.**

En la sección *Instrucciones de mantenimiento* se describen la mayor parte de los servicios que requiere esta máquina. Cualquier problema que no haya sido abordado en esta sección debe ser resuelto solamente por un servicentro autorizado independiente de RIDGID. Emplee únicamente repuestos RIDGID.

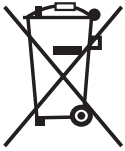
Para información acerca del servicentro autorizado independiente de RIDGID en su localidad, o si tiene preguntas sobre servicio o reparaciones, vea la sección *Información de contacto* en este manual.

### Resolución de problemas

PROBLEMA	POSIBLE RAZÓN	SOLUCIÓN
La limpiadora anda pero genera poca o ninguna presión.	El suministro de agua no es suficiente.	Abra la llave de agua. Abra la válvula de entrada de agua a la limpiadora de agua a presión. Asegure que fluya agua por la manguera de suministro de agua y que no esté plegada o aplastada.
Cuando la limpiadora de agua a presión se pone en marcha, no logra alcanzar la presión máxima de funcionamiento.	Hay aire atrapado en el sistema. Los orificios de propulsión de la tobera están obstruidos.	Extraiga la tobera de la manguera de la limpiadora y haga funcionar la máquina para purgar el aire atrapado y eliminar desechos del sistema. Extraiga la tobera y limpie los orificios con una herramienta para limpiar toberas.
El manómetro de la limpiadora marca presiones que fluctúan entre 100 PSI y 1000 PSI.	Los orificios de propulsión de la tobera están obstruidos. Hay aire o residuos atrapados en el sistema.	Extraiga la tobera y limpie los orificios con una herramienta para limpiar toberas. Seleccione una herramienta con alambres del grosor adecuado y empújelos a través de cada orificio de propulsión para destaparlos. Extraiga la tobera y meta la manguera dentro del desagüe. Haga funcionar la limpiadora para purgar el aire y residuos atrapados.

## Eliminación

Partes de estos aparatos contienen materiales valiosos y se pueden reciclar. Hay compañías locales que se especializan en el reciclaje. Deseche los componentes de acuerdo con todos los reglamentos correspondientes. Para más información sobre la eliminación de desechos, comuníquese con la agencia local de eliminación de residuos.



**Para los países de la Comunidad Europea:**  
¡No deseche equipos eléctricos en la basura común!

De acuerdo con el Lineamiento Europeo 2012/19/EU para Desechos de Equipos Eléctricos y Electrónicos y su implementación en la legislación nacional, los equipos eléctricos inservibles deben desecharse por separado en una forma que cumpla con las normas del medio ambiente.



**RIDGID® KJ-1350/KJ-1750 Water Jetter Machines****MANUFACTURER**

RIDGE TOOL COMPANY  
400 Clark Street  
Elyria, Ohio 44035-6001  
U.S.A.

ProToolsRegulatory.Compliance@Emerson.com

**DECLARATION OF CONFORMITY**

We declare that the machines listed above, when used in accordance with the operator's manual, meet the relevant requirements of the Directives and Standards listed below.

**DÉCLARATION DE CONFORMITÉ**

Nous déclarons que lorsqu'elles sont utilisées selon leur mode d'emploi, les machines indiquées ci-dessus répondent aux exigences applicables des directives et normes ci-après.

**DECLARACIÓN DE CONFORMIDAD**

Declaramos que las máquinas listadas más arriba, cuando se usan conforme al manual del operario, cumplen con los requisitos pertinentes de las directrices y normas listadas a continuación.



Complies with UL1776 Ed.3 2002, Rev 2024  
Certified to CSA C22.2#68-18 (R2023)



Signature: *Krondorfer*  
Name: Harald Krondorfer  
Qualification: V.P. Engineering  
Date: 01/17/2025

#### What is covered

RIDGID® tools are warranted to be free of defects in workmanship and material.

#### How long coverage lasts

This warranty lasts for the lifetime of the RIDGID® tool. Warranty coverage ends when the product becomes unusable for reasons other than defects in workmanship or material.

#### How you can get service

To obtain the benefit of this warranty, deliver via prepaid transportation the complete product to RIDGID c/o Emerson Professional Tools, LLC in, Elyria, Ohio, or any RIDGID® AUTHORIZED INDEPENDENT SERVICE CENTER. Pipe wrenches and other hand tools should be returned to the place of purchase.

#### What we will do to correct problems

Warranted products will be repaired or replaced, at RIDGID's option, and returned at no charge; or, if after three attempts to repair or replace during the warranty period the product is still defective, you can elect to receive a full refund of your purchase price.

#### What is not covered

Failures due to misuse, abuse or normal wear and tear are not covered by this warranty. Seller is not responsible for any incidental or consequential damages.

#### How local law relates to the warranty

Some states do not allow the exclusion or limitation of incidental or consequential damages, so the above limitation or exclusion may not apply to you. This warranty gives you specific rights, and you may also have other rights, which vary, from state to state, province to province, or country to country.

#### No other express warranty applies

This FULL LIFETIME WARRANTY is the sole and exclusive warranty for RIDGID® products. No employee, agent, dealer, or other person is authorized to alter this warranty or make any other warranty on behalf of the RIDGID.

To obtain further warranty information on your product please visit  
[www.RIDGID.com/us/en/warranty](http://www.RIDGID.com/us/en/warranty)



FULL LIFETIME WARRANTY (garantie légale étendue à la durée de vie du produit, voir conditions de garantie / legal warranty extended to the product lifecycle, see warranty conditions)

**Parts are available online at [Store.RIDGID.com](http://Store.RIDGID.com)**

## RIDGID

### Emerson Professional Tools, LLC

400 Clark Street

Elyria, Ohio 44035-6001

U.S.A.

#### Ce qui est couvert

Les outils RIDGID® sont garantis contre tous vices de matériaux et de main d'œuvre.

#### Durée de couverture

Cette garantie est applicable durant la vie entière de l'outil RIDGID®. La couverture cesse dès lors que le produit devient inutilisable pour raisons autres que des vices de matériaux ou de main d'œuvre.

#### Pour invoquer la garantie

Pour toutes réparations au titre de la garantie, il convient d'expédier le produit complet en port payé à la RIDGID c/o Emerson Professional Tools, LLC in (Elyria, Ohio) ou bien le remettre à un réparateur RIDGID® indépendant agréé. Les clés à pipe et autres outils à main doivent être ramenés au lieu d'achat.

#### Ce que nous ferons pour résoudre le problème

Les produits sous garantie seront à la discrétion de RIDGID, soit réparés ou remplacés, puis réexpédiés gratuitement ; ou si, après trois tentatives de réparation ou de remplacement durant la période de validité de la garantie le produit s'avère toujours défectueux, vous aurez l'option de demander le remboursement intégral de son prix d'achat.

#### Ce qui n'est pas couvert

Les défaillances dues au mauvais emploi, à l'abus ou à l'usure normale ne sont pas couvertes par cette garantie. Le vendeur ne sera tenu responsable d'aucuns dommages directs ou indirects.

#### L'influence de la législation locale sur la garantie

Puisque certaines législations locales interdisent l'exclusion des dommages directs ou indirects, il se peut que la limitation ou exclusion ci-dessus ne vous soit pas applicable. Cette garantie vous donne des droits spécifiques qui peuvent être éventuellement complétés par d'autres droits prévus par votre législation locale.

#### Il n'existe aucune autre garantie expresse

Cette GARANTIE PERPETUELLE INTEGRALE est la seule et unique garantie couvrant les produits RIDGID®. Aucun employé, agent, distributeur ou tiers n'est autorisé à modifier cette garantie ou à offrir une garantie supplémentaire au nom de RIDGID.

#### Qué cubre

Las herramientas RIDGID® están garantizadas contra defectos de la mano de obra y de los materiales empleados en su fabricación.

#### Duración de la cobertura

Esta garantía cubre a la herramienta RIDGID® durante toda su vida útil. La cobertura de la garantía caduca cuando el producto se torna inservible por razones distintas a las de defectos en la mano de obra o en los materiales.

#### Cómo obtener servicio

Para obtener los beneficios de esta garantía, envíe mediante porte pagado, la totalidad del producto a RIDGID c/o Emerson Professional Tools, LLC in, Elyria, Ohio, o a cualquier servicentro independiente autorizado de RIDGID®. Las llaves para tubos y demás herramientas de mano deben devolverse a la tienda donde se adquirieron.

#### Lo que hacemos para corregir el problema

El producto bajo garantía será reparado o reemplazado por otro, a discreción de RIDGID, y devuelto sin costo; o, si aún resulta defectuoso después de haber sido reparado o sustituido tres veces durante el período de su garantía, Ud. puede optar por recibir un reembolso por el valor total de su compra.

#### Lo que no está cubierto

Esta garantía no cubre fallas debido al mal uso, abuso o desgaste normal. El vendedor no se hace responsable de daño incidental o consiguiente alguno.

#### Relación entre la garantía y las leyes locales

Algunos estados de los EE.UU. no permiten la exclusión o restricción referente a daños incidentales o consiguientes. Por lo tanto, puede que la limitación o restricción mencionada anteriormente no rija para Ud. Esta garantía le otorga derechos específicos, y puede que, además, Ud tenga otros derechos, los cuales varían de estado a estado, provincia a provincia o país a país.

#### No rige ninguna otra garantía expresa

Esta GARANTIA VITALICIA es la única y exclusiva garantía para los productos RIDGID®. Ningún empleado, agente, distribuidor u otra persona está autorizado para modificar esta garantía u ofrecer cualquier otra garantía en nombre de RIDGID.