

KJ-1350
KJ-1750

Water Jetter Machines

OPERATOR'S MANUAL

- Français – 15
- Castellano – pág. 31



⚠ WARNING!

Read this Operator's Manual carefully before using this tool. Failure to understand and follow the contents of this manual may result in electrical shock, fire and/or serious personal injury.

RIDGID[®]

Table of Contents

Recording Form for Machine Model and Serial Number 1

General Safety Information

 Work Area Safety 2

 Electrical Safety 2

 Personal Safety 2

 Tool Use and Care 3

 Service 3

Specific Safety Information

 Jetter Safety 3

Description, Specifications and Standard Equipment

 Description 4

 Specifications 4

 Standard Equipment 4

 Jetter Nozzles and Hoses 4

 Accessories 5

Machine Assembly

 Instructions for Pump 5

 Transport Carts 5

Machine Inspection 5

Machine and Work Area Set-Up

 Jetter Nozzle Selection Chart 7

 Jetter Hose Selection Chart 7

Operating Instructions

 Start-Up and Pressure Adjustment 8

 Pulse Control Valves 9

 Normal Jetting 9

 Using the Pulse Mode to Negotiate Bends and Traps 9

 Negotiating Difficult Bends 9

 Encountering Blockages 10

 “Jet-Cleaning” or “Jetting” the Line 10

 Pressure Wash Package 10

 Washer Operation 10

Accessories

 Jetter Nozzles and Hoses 11

 Jetter Accessories 11

 H-5 Mini Hose Reel 11

Maintenance Instructions

 Inlet Filter Screen 11

 Jetter Nozzle Orifice 11

 Jetter Flushing 11

 Winterizing 11

Machine Storage 12

Service and Repair 12

Troubleshooting 12

Wiring Diagrams 13

Lifetime Warranty Back Cover



KJ-1350 & KJ-1750

Water Jetters



KJ-1350 & KJ-1750 Water Jetters	
Record Serial Number below and retain product serial number which is located on nameplate.	
Serial No.	

General Safety Information

WARNING! Read and understand all instructions. Failure to follow all instructions listed below may result in electric shock, fire and/or serious personal injury.

SAVE THESE INSTRUCTIONS!

Work Area Safety

- **Keep your work area clean and well lit.** Cluttered benches and dark areas invite accidents.

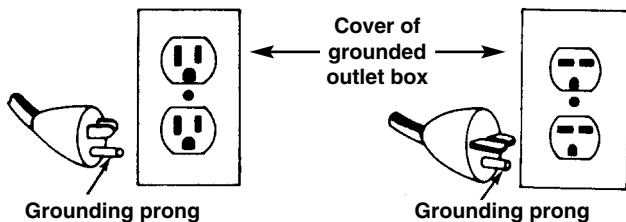
RISK OF FIRE!

- **Do not operate tools in explosive atmospheres, such as in the presence of flammable liquids, gases or dust.** Power tools create sparks which may ignite the dust or fumes.
- **Keep by-standers, children, and visitors away while operating a power tool.** Distractions can cause you to lose control.

Electrical Safety

GROUNDING INSTRUCTIONS:

- **Grounded tools must be plugged into an outlet, properly installed and grounded in accordance with all codes and ordinances. Never remove the grounding plug or modify the plug in any way. Do not use any adapter plugs. Check with a qualified electrician if you are in doubt as to whether the outlet is properly grounded.** If the tool should electrically malfunction or break down, grounding provides a low resistance path to carry electricity away from the user.



- **Avoid body contact with grounded surfaces such as pipes, radiators, ranges and refrigerators.** There is an increased risk of electrical shock if your body is grounded.

GROUND FAULT CIRCUIT INTERRUPTERS (GFCI):

- **Water Jetter is provided with a ground-fault circuit-interrupter (GFCI) built into the power supply cord.** This GFCI provides additional protection from the risk of electrical shock.
- **Before using, test the Ground Fault Circuit Interrupter (GFCI) provided with the power cord to in-**

sure the GFCI is operating properly. Damaged GFCI increases risk of electrical shock.

- **Do not abuse cord or Ground Fault Circuit Interrupter (GFCI). Keep cord from heat, oil, and sharp edges.** Damaged cords increase the risk of electrical shock.

EXTENSION CORDS:

- **Use only an outdoor extension cord marked “W-A” or “W”.** These cords are rated for outdoor use and reduce the risk of electrical shock.
- **Use only three-wire extension cords which have three-prong grounding plugs and three-pole receptacles which accept the machine’s plug.** Use of other extension cords will not ground the tool and increase the risk of electrical shock.
- **Extension cords are not recommended unless they are plugged into a Ground Fault Circuit Interrupter (GFCI) found in circuit boxes or outlet receptacles.** The GFCI on the machine power cord will not prevent electrical shock from the extension cords.
- **Use proper extension cords.** (See chart.) Insufficient conductor size will cause excessive voltage drop and loss of power.

Minimum Wire Gauge for Extension Cord			
Nameplate Amps	Total Length (in feet)		
	0 – 25	26 – 50	51 – 100
0 – 6	18 AWG	16 AWG	16 AWG
6 – 10	18 AWG	16 AWG	14 AWG
10 – 12	16 AWG	16 AWG	14 AWG
12 – 16	14 AWG	12 AWG	NOT RECOMMENDED

- **Do not abuse extension cords. Keep cord from heat, oil and sharp edges.** Do not yank on any cord to disconnect. Damaged cord increases risk of electrical shock.
- **Keep all electric connections dry and off the ground. Do not touch plugs or tool with wet hands.** Reduces the risk of electrical shock.
- **Always disconnect the extension cord from the receptacle before disconnecting the product from the extension cord.** Reduces risk of electrical shock.

Personal Safety

- **Stay alert, watch what you are doing and use common sense when operating a power tool. Do not use tool while tired or under the influence of drugs, alcohol, or medications.** A moment of inattention while operating power tools may result in serious personal injury.

- **Dress properly. Do not wear loose clothing or jewelry. Contain long hair. Keep your hair, clothing, and gloves away from moving parts.** Loose clothes, jewelry, or long hair can be caught in moving parts.
- **Avoid accidental starting. Be sure switch is OFF before plugging in.** Carrying tools with your finger on the switch or plugging in tools that have the switch on invites accidents.
- **Remove adjusting keys or wrenches before turning the tool ON.** A wrench or a key that is left attached to a rotating part of the tool may result in personal injury.
- **Do not overreach. Keep proper footing and balance at all times.** Proper footing and balance enables better control of the tool in unexpected situations.
- **Use safety equipment. Always wear eye protection.** Dust mask, non-skid safety shoes, hard hat, or hearing protection must be used for appropriate conditions.

Tool Use and Care

- **Do not force tool. Use the correct tool for your application.** The correct tool will do the job better and safer at the rate for which it is designed.
- **Do not use tool if switch does not turn it ON or OFF.** Any tool that cannot be controlled with the switch is dangerous and must be repaired.
- **Disconnect the plug from the power source before making any adjustments, changing accessories, or storing the tool.** Such preventive safety measures reduce the risk of starting the tool accidentally.
- **Store idle tools out of the reach of children and other untrained persons.** Tools are dangerous in the hands of untrained users.
- **Maintain tools with care. Keep valves, hoses, and nozzles in proper operating condition.** Properly maintained tools are less likely to malfunction and cause injury.
- **Check for misalignment or binding of moving parts, breakage of parts, and any other condition that may affect the tool's operation. If damaged, have the tool serviced before using.** Many accidents are caused by poorly maintained tools.
- **Use only accessories that are recommended by the manufacturer for your model.** Accessories that may be suitable for one tool may become hazardous when used on another tool.
- **Inspect tool and extension cords periodically and**

replace if damaged. Damaged cords increase the risk of electrical shock.

- **Keep handles dry and clean; free from oil and grease.** Allows for better control of the tool.
- **Should replacement of the cord become necessary, use only identical replacement parts that include GFCI protection.** GFCI protection must be maintained to reduce the risk of electrical shock.

Service

- **Tool service must be performed only by qualified repair personnel.** Service or maintenance performed by unqualified repair personnel could result in injury.
- **When servicing a tool, use only identical replacement parts. Follow instructions in the Maintenance Section of this manual.** Use of unauthorized parts or failure to follow maintenance instructions may create a risk of electrical shock or injury.

Specific Safety Information

▲ WARNING

Read this operator's manual carefully before using the RIDGID KJ-1350 or KJ-1750 Water Jetters. Failure to understand and follow the contents of this manual may result in electrical shock, fire and/or serious personal injury.

Call the Ridge Tool Company, Technical Service Department at (800) 519-3456 if you have any questions.

Jetter Safety

- **Do not operate above rated pressure or 140°F (inlet water temperature).** Tool will do a better and safer job if operated at recommended pressures and temperatures.
- **Never permit the end of hose to rotate out of the pipe being cleaned.** Hose can whip and nozzle spray can penetrate skin causing serious injury.
- **Use rubber gloves and rubber boots.** Insulate against possible electrical shock if tools should electrically malfunction or break down.
- **Water spray should not be pointed at any human.** High pressure spray can result in serious injury. If fluid seems to have penetrated skin, seek emergency medical attention at once.
- **Be careful when cleaning drains where cleaning compounds have been used. Avoid direct contact with skin and eyes.** Serious burns can result from some drain cleaning components.

- **Jetter is designed to clean drains. Follow instructions in Operator’s Manual on machine’s uses.** Other uses may increase the risk of injury.
- **Do not spray flammable liquids.** Spraying flammable liquids could cause a fire or explosion.
- **Do not spray toxic chemicals such as insecticide or weed killer.** Chemicals can be harmful to personnel.
- **Never clean the machine using its own spray wand.** High pressure spray may damage machine components.
- **Do not spray electrical apparatus or wiring.** Reduces the risk of electrical shock.

Description, Specifications and Standard Equipment

Description

The RIDGID® KJ-1350 and KJ-1750 are portable jettets designed to use the combination of water pressure and flow to clear grease and soft blockages out of 1¼” to 4” drain lines. The Jettets can be either hand carried or combined with a two wheeled cart and hose reel for transporting.

The KJ-1350 has a 1½ HP electrical motor with a 1350 PSI pressure rating and a 1.4 GPM flow rate. It is designed for residential and light commercial applications.

The KJ-1750 has 2 HP motor with a 1750 PSI pressure rating and a 1.4 GPM flow rate. It is designed for heavy commercial and industrial applications.

Specifications

KJ-1350

- Line Capacity**.....Recommended for 1¼” to 4” drain lines through 200 feet.
- Motor**1½ HP @ 1725 RPM 14 amps
- Pump**Duplex Plunger
- Pressure**.....1350 PSI
- Flow Rate**1.4 GPM
- Weight (jetter only)**...67 lbs. (30,5 kgs)

KJ-1750

- Line Capacity**.....Recommended for 1¼” to 4” drain lines through 200 feet.
- Motor**2 Hp @ 1725 RPM 17 amps
- Pump**Duplex Plunger
- Pressure**.....1750 PSI
- Flow Rate**1.4 GPM
- Weight (jetter only)**...75 lbs. (34,0 kgs)

Standard Equipment

Machine Options (115V)

Catalog No.	Model No.	Description
62587	KJ-1350	KJ-1350 Standard Jetter with Pulse – H-21, H-22, and H-24 1/8” NPT Nozzles – 25’ x 1/8” Sink Trap Hose – Nylon Storage Bag – Nozzle Cleaning Tool
62597	KJ-1350-C	Above With: – H-10 Cart – 100’ x 1/4” Trap Hose
63107	KJ-1350-2	KJ-1350 Jetter with Dual Pulse – H-21, H-22, and H-24 1/8” NPT Nozzles – 50’ x 1/8” Sink Trap Hose – Nylon Storage Bag – Nozzle Cleaning Tool
63112	KJ-1350-2C	Above With: – H-10 Cart – 100’ x 1/4” Trap Hose
62687	KJ-1750	KJ-1750 Jetter with Dual Pulse – H-41, H-42, and H-44 1/8” NPT Nozzles – H-51 and H-52 1/4” NPT Nozzles – 50’ x 1/8” Sink Trap Hose – Nylon Storage Bag – Nozzle Cleaning Tool
62697	KJ-1750-C	Above With: – H-30 Cart – 110’ x 1/2” Jet Hose
67332	KJ-1750-SC	62687 with: – H-10 Cart – 100’ x 1/4” Trap Hose

Machine Options (230V)

Catalog No.	Model No.	Description
66447	KJ-1750-E	KJ-1750 230V Jetter with Dual Pulse – H-41, H-42, and H-44 1/8” NPT Nozzles – 50’ x 1/8” Sink Trap Hose – Nylon Storage Bag – Nozzle Cleaning Tool
66442	KJ-1750-E SC	Above With: H-10 Cart, 100’ x 1/4” Trap Hose

Jetter Nozzles and Hoses

Catalog No.	Model No.	Description	Hose I.D.	Hose O.D.
64707	H-21	KJ-1350 Propulsion Nozzle	1/8” NPT	
64712	H-22	KJ-1350 Penetrating Nozzle	Fits 1/8” &	
64717	H-24	KJ-1350 Drop Head Nozzle	1/4” Hose	
82832	H-25	KJ-1350 Spin Nozzle	1/8” NPT	
64722	H-31	KJ-1350 Propulsion Nozzle	1/4” NPT	
64727	H-32	KJ-1350 Penetrating Nozzle	Fits 1/2” Hose	
64742	H-41	KJ-1750 Propulsion Nozzle	1/8” NPT	
64747	H-42	KJ-1750 Penetrating Nozzle	Fits 1/8” &	
64752	H-44	KJ-1750 Drop Head Nozzle	1/4” Hose	
82837	H-45	KJ-1750 Spin Nozzle	1/8” NPT	
64757	H-51	KJ-1750 Propulsion Nozzle	1/4” NPT	
64762	H-52	KJ-1750 Penetrating Nozzle	Fits 1/2” Hose	
52957	H-1825	1/8” x 25’ Sink Trap Hose	1/8”	3/16”
53037	H-1850	1/8” x 50’ Sink Trap Hose	1/8”	3/16”
45792	H-1425	1/4” x 25’	3/16”	1/4”
47597	H-1435	1/4” x 35’	3/16”	1/4”
47602	H-1450	1/4” x 50’	3/16”	1/4”
49272	H-1475	1/4” x 75’	3/16”	1/4”
49277	H-1400	1/4” x 100’	3/16”	1/4”
64732	H-1415	1/4” x 150’	3/16”	1/4”
50002	HL-1	Flexible Leader, 1/4” x 12”	1/8”	3/16”
50007	HL-2	Flexible Leader, 1/2” x 18”	1/8”	3/16”
47607	H-1250	1/2” x 50’	1/4”	1/2”
47612	H-1275	1/2” x 75’	1/4”	1/2”
47617	H-1200	1/2” x 100’	1/4”	1/2”
51587	H-1211	1/2” x 110’	1/4”	1/2”
49487	H-1215	1/2” x 150’	1/4”	1/2”

1/8” NPT fits 1/4” Trap Hose; 1/4” NPT fits 1/2” and 3/8” Jet Hose

Jetter Accessories

Catalog No.	Model No.	Description
64697	H-10	H-10 Cart with Hose Reel
62592	H-10 WH	H-10 Cart with Hose Reel and 100' x 1/4" Trap Hose
62882	H-5	Mini Hose Reel (fits H-10 cart) 150' x 1/4" Capacity
64737	H-30	H-30 Cart with Hose Reel
62877	H-30 WH	H-30 Cart with Hose Reel and 110' x 1/2" Jet Hose
62887	HP-EL	Pressure Wash Package, Electric Jetters
64702	HW-EL	Wash Wand, Electric Jetters
51572	H-1235	1/2" x 35' Wash Hose
62897	H-10A	KJ-1750 Adapter to Fit H-10 Cart
62892	H-30A	KJ-1350 Adapter to Fit H-30 Cart
48367	H-25	Winterizing Kit
47542	H-21	Nozzle Cleaning Tool
67187	H-32	Jet Vac

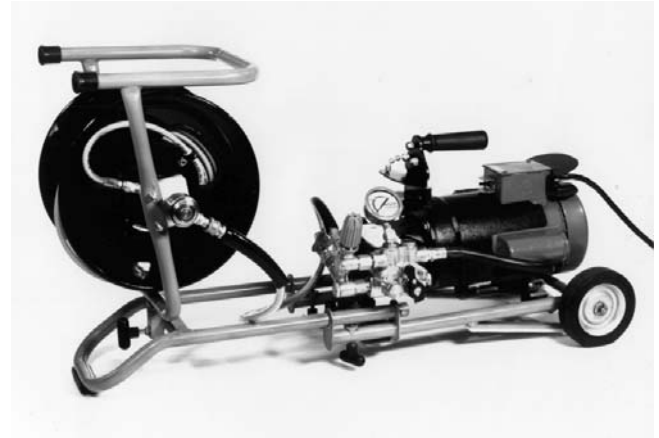


Figure 1 – H-10 Cart and Hose Reel

Machine Assembly

▲ WARNING

To prevent serious injury, proper assembly of the KJ-1350 and KJ-1750 Jetters is required. The following procedures should be followed:

Instructions for Pump

Remove plug in pump and replace with dipstick/breather cap. Check the pump oil level (jetter is shipped with oil). If oil is low, fill with SAE 30W non-detergent oil.

Transport Carts

H-10 Cart

The two-wheeled cart has been designed to accept the KJ-1350 and the KJ-1350-2 without the need of tools. Lift and slide the jetter onto the cart making sure the one end engages the cart and on the other end, the post inserts into the receptacle (*Figure 1*). Tighten the T-handle to lock the jetter down. An adapter kit is available to mount the KJ-1750 on the H-10.

The hose reel and 100 feet of 1/4" ID jetter hose mounts to the receptacle closest to the handle (*Figure 1*). Place the post on the reel into the socket and tighten the T-handle.

The length of the H-10 transport cart can be shortened for storage or lengthened by loosening two T-handles on the rails and sliding the handle in or out.

▲ WARNING Make sure all T-handles are fully tightened prior to transporting or lifting.

H-30 Cart and Hose Reel

The larger H-30 Cart and Hose Reel is designed to accept the KJ-1750 without the need of tools. Lift the jetter onto the deck and place over the locator pins. Hold in place and attach front and back clips to jetter base. An adapter kit is available to mount the KJ-1350's to the H-30.

Machine Inspection

▲ WARNING



To prevent serious injury, inspect your Jetter. The following inspection procedures should be performed on a daily basis.

1. Check pump oil level. If low, fill with a SAE 30 weight non-detergent oil.

NOTE! Jetter unit should be stored base down. Never store in up-right position as oil from pump will leak from reservoir.

2. Inspect the Jetter for any broken, missing, misaligned or binding parts as well as any other conditions which may affect the safe and normal operation of the machine. If any of these conditions are present, do not use the Jetter until any problem has been repaired.
3. Inspect the power cord, ground fault circuit interrupter (GFCI) and plug for damage. If the plug has been modified, is missing the grounding pin or if the

cord is damaged, do not use the jetter until the cord has been replaced.

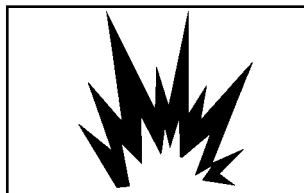
▲ WARNING When replacing cord, use only identical replacement parts that includes GFCI protection.

4. Check inlet filter screen for debris that can restrict water flow into the pump resulting in poor performance. If filter screen is dirty or clogged, remove, clean and replace.
5. Use accessories that are designed for your Jetter and meet the needs of your application. The correct accessories allow you to do the job successfully and safely. Accessories suitable for use with other equipment may be hazardous when used with this machine.
6. Clean any oil, grease or dirt from all equipment handles and controls. This reduces the risk of injury due to a tool or control slipping from your grip.
7. Check the jetter nozzle orifices for debris. If an orifice is blocked, use nozzle cleaning tool to clear and remove debris.
8. Inspect hoses for wear and damage. Hoses should be replaced when they become damaged.

▲ WARNING Damaged hoses can burst causing serious injury. Only use hoses whose pressure rating meets or exceeds that of the jetter.

Machine and Work Area Set-Up

▲ WARNING



To prevent serious injury, proper set-up of the machine and work area is required. The following procedures should be followed to set-up the machine:

1. Check work area for:
 - Adequate lighting.
 - No flammable liquids, vapors or dust that may ignite.
 - 20 amp grounded electrical outlet.
 - Clear path to the electrical outlet that does not contain any sources of heat or oil, sharp edges or moving parts that may damage electrical cord.
 - Dry place for machine and operator. Do not use the machine while standing in water.
 - Water supply.

NOTE! If a connection is made to a potable water system, the system should be protected against backflow in accordance with all local codes and ordinances.

2. Connect the quick coupling fitting to the water supply hose. Connect water supply hose to the jetter inlet and close the inlet supply valve. (*Figure 2*)



Figure 2 – Connect Water Supply Hose to Jetter. Close Inlet Supply Valve (shown in closed position.)

3. Connect the other end of the water supply hose to the water faucet and turn the faucet on. Make sure there are no kinks or unnecessary bends in the supply hose.

CAUTION Hot water improves the jetter’s performance, particularly when clearing grease blockages. Limit water temperature to below 140°F.

4. Connect a jetter hose to the jetter’s outlet quick coupling on the end of the connection hose (*Figure 3*). (*Refer to Jetter Hose Selection Chart*)
5. If a hose reel is used, attach connection hose to plug fitting on hose reel.
6. Insert jetter hose 6” – 8” into drain without a jetter nozzle.
7. Open the inlet supply valve and run water through the jetter and hoses with unit OFF.
8. Continue to run water through the jetter until all air has been purged.
9. Close the inlet supply valve.

NOTE! Both the KJ-1350’s and KJ-1750 Jettors have check valves for back flow prevention.

10. Attach a jetter nozzle to the jet hose. (*Refer to Jetter Nozzle Selection Chart.*) Hand-tighten for a snug fit. Over-tightening can interfere with water flow through the nozzle orifices causing reduced flow and poor performance.



Figure 3 – Connect jetter hose to jetter

⚠ WARNING Nozzles should not be removed from the drain while pressurized. Mark the hose at a distance of 24” (60cm) from nozzle to indicate the location of the nozzle.

11. Insert the jet hose into the line several feet.
12. Open the inlet supply valve and verify that water flows freely through the nozzle.
13. Plug the Jetter into the electrical outlet making sure to position the power cord along the clear path selected earlier. If the power cord does not reach the outlet, use an extension cord in good condition.

⚠ WARNING To avoid electrical shock and electrical fires, never use an extension cord that is damaged or does not meet the following requirements:

- The cord has a three-prong plug similar to shown in Electrical Safety section.
- The cord is rated as “W” or “W-A” if being used outdoors.
- The cord has sufficient wire thickness (12 AWG). If the wire thickness is too small, the cord may overheat, melting the cord’s insulation or causing nearby objects to ignite.

⚠ WARNING To reduce risk of electrical shock, keep all electrical connections dry and off the ground. Do not touch plug with wet hands. Test the Ground Fault Circuit Interrupter (GFCI) provided with the electric cord to insure it is operating correctly. When test button is pushed in, the indicator light should go off. Reactivate by pushing the reset button in. If indicator light goes on, the machine is ready to use. If the GFCI does not function correctly, do not use the machine.

JETTER NOZZLE SELECTION CHART

	KJ-1350	KJ-1750	
Thread Size	1/8” NPT	1/8” NPT	1/4” NPT
Hose Inside Diameter	1/8” & 3/16”	1/8” & 3/16”	1/4”
Features three reverse jet thrusts for maximum propulsion to jet long distances. Use this nozzle for most applications.	H-21	H-41	H-51
Uses three jet thrusters in reverse plus one jet pointed forward to penetrate solid grease or sludge blockages. The forward jet blasts a small hole in the blockage for the nozzle to follow. It is also very effective when jetting ice blockages.	H-22	H-42	H-52
Use the drop head to help negotiate difficult bends.	H-24	H-44	
Use spinner nozzle to clean grease and similar blockages.	H-25	H-45	

JETTER HOSE SELECTION CHART

Applications	Pipe Size	Nozzle Size	Hose Size	Hose ID
Bathroom sinks, urinals, and small lines.	1 1/4” – 2”	1/8” NPT	1/8”	1/8”
Kitchen sinks, laundry tubs and stacks, clean-outs, and vents.	2” – 3”	1/8” NPT	1/4”	3/16”
Shower and floor drains, lateral lines, and grease traps.	3” – 4”	1/4” NPT	1/2”	1/4”

Operating Instructions

▲ WARNING



Always wear eye protection to protect eyes from dirt and other foreign objects. Use rubber gloves and rubber boots.

Do not spray flammable liquids or toxic chemicals.

Water spray should not be pointed at any human. Do not hold nozzle when pressurized.

Start-Up and Pressure Adjustment

NOTE! Both the KJ-1350 and KJ-1750 Jetters have pulse actuators (*Figure 5*). The KJ-1350-2 and KJ-1750 have an additional pulse valve (*Figure 7*). Both the pulse actuator and pulse dampener valve must be in the OFF position prior to turning the jetter switch ON. To obtain maximum pressure, both pulse controls must be OFF.

1. Turn the unloader valve counter-clockwise to insure the pressure is backed down. Turn jetter switch ON and adjust the unloading valve so that the pressure gauge shows a maximum of 1350 PSI (green zone) on the KJ-1350 and KJ-1350-2. At this pressure, the KJ-1350 Jetters draw approximately 14 amps when supplied with 115 volt A/C current.
2. On the KJ-1750, adjust the unloading valve so that the pressure gauge shows 1750 PSI (green zone). At this pressure, the KJ-1750 draws approximately 17 amps when supplied with 115 volt A/C current. (*Figure 4*)

NOTE! Operating pressure is increased by rotating the unloading valve clock-wise +. If electrical circuit is not dedicated to Jetter, it may be necessary to reduce pressure (amp draw) to prevent tripping the circuit breaker or blowing a fuse.

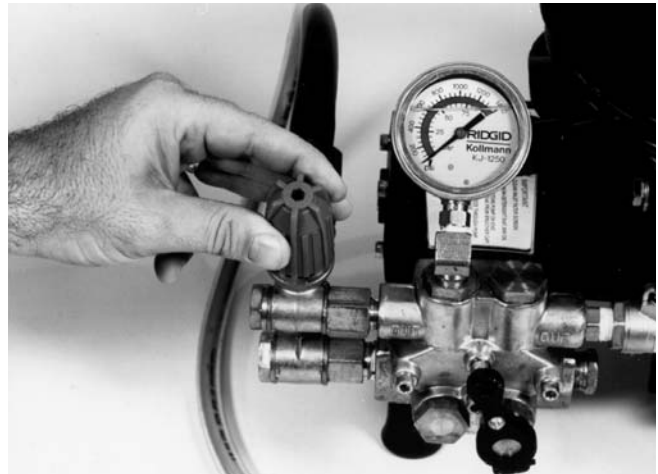


Figure 4 – Adjust the unloading valve

3. If the jetter will not generate pressure:

- Make sure the water faucet is completely OPEN and the inlet supply valve is OPEN.
- Check the filter screen at the inlet port to the jetter. Make certain it is clear of debris.
- Cycle the pulse actuator on the KJ-1350 and KJ-1750 ON and OFF several times while the jetter is running to clear any trapped air in the system.
- Cycle the pulse dampener valve on the KJ-1350-2 and KJ-1750 ON and OFF several times to clear trapped air.
- Rotate unloader valve clockwise to make sure it increases pressure.

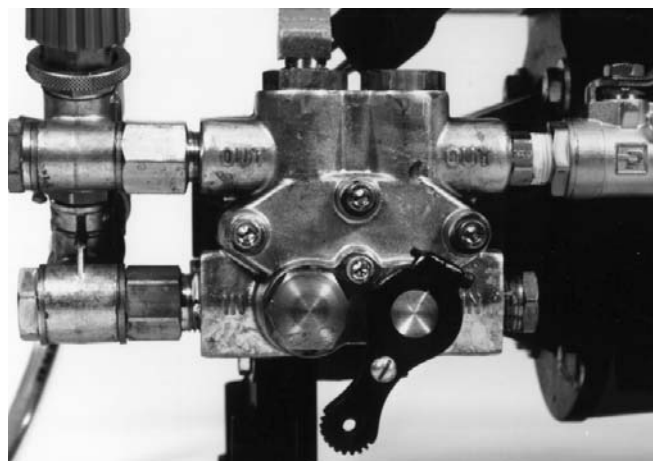


Figure 5 – Pulse Actuator ON

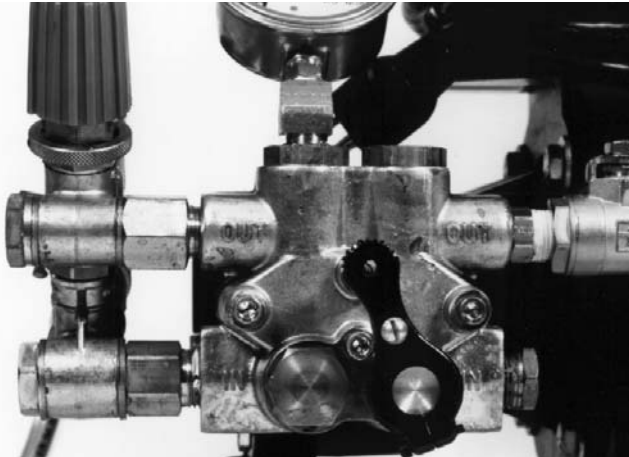


Figure 6 – Pulse Actuator OFF

Pulse Control Valves

The KJ-1350 and KJ-1750 Jetters have a pulse actuator on the pump. Rotating the lever clockwise will engage the pulse. The KJ-1350-2 and KJ-1750 Jetters have two levels of pulsation with the addition of a pulse valve. There are now three different pulses:

	Actuator (#1)		Valve (#2)	
Normal	OFF	All	OFF	KJ-1350-2
Bends & Traps	OFF		ON	KJ-1750
Difficult Bends	ON		ON	

For optimum jetter performance, you must understand the proper use of the pulse actuator and pulse valve.

Normal Jetting

Turn pulse actuator (#1) to the OFF position. Turn the pulse valve (#2) on the KJ-1350-2 and KJ-1750 to the OFF position. This results in maximum pressure but no pulse action.

1. When the jetter nozzle encounters a bend, its advance will usually slow or stop. The jetter hose has a slight bend or *set* to it. The reverse thrust of the nozzle will advance the jetter hose but it is also necessary to manually feed and rotate the jetter hose to *work the set* around the bends.
2. If the hose won't advance, pull back on the hose slightly and rotate the hose a quarter to a half turn. Then advance the hose forward.
3. If the jetter hose is not advancing, it may be necessary to induce some pulse action.

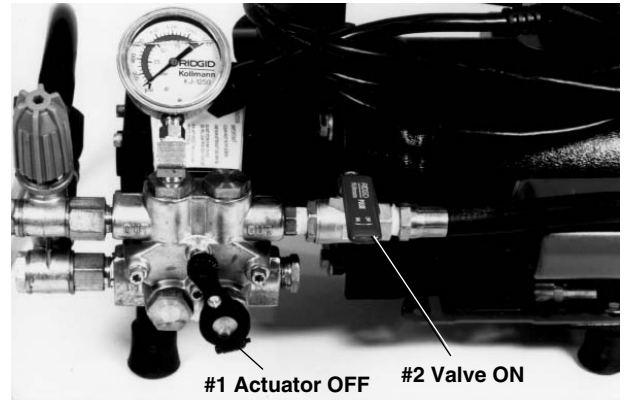


Figure 7 – Negotiating Bends and Traps

Using the Pulse Mode to Negotiate Bends and Traps

In some cases, simply rotating the hose will not be enough to negotiate a bend or trap. In these instances, turn the pulse actuator (#1) to the OFF position and valve (#2) for KJ-1350-2 and KJ-1750 to the ON position (*Figure 7*). In the pulse mode, the pump induces large pulsation and jetter hose vibration. Rotating the hose while operating in the pulse mode will normally overcome stubborn bends and traps.

Negotiating Difficult Bends w/ KJ-1350-2 and KJ-1750

By turning the pulse actuator (#1) and the pulse valve (#2) to the ON position on the KJ-1350-2 and the KJ-1750 will achieve a higher amplitude of pulse. This will allow the jetter hose and nozzle to vibrate and negotiate difficult bends. (*Figure 8*)

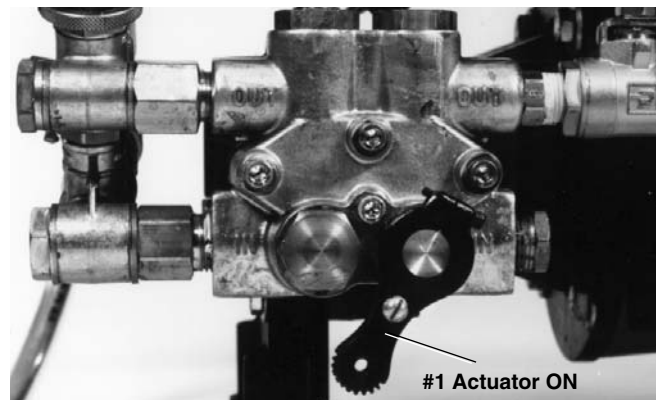


Figure 8 – Negotiating Difficult Bends

NOTE! In the pulse mode, the jetter's pressure gauge will read approximately 400 - 600 PSI.

NOTE! If at any time during the jetting process the pressure oscillates up and down between 100 and 1000 PSI, stop the jetter: Turn the Jetter and water supply OFF, remove the jetter nozzle and check the nozzle orifices (They are probably blocked). Clean them with the nozzle cleaning tool by pushing the proper size wire completely through each thruster orifice.

If the problem persists, remove the nozzle and insert the hose into the drain. Check the inlet filter screen at the inlet port and make sure it is clean. Restart to flush the system of any trapped air or debris that could be hampering the unit's operation.

Once through the bend or trap, return the pulse control actuator lever and valve to the OFF position. Continue the jetter head's advance.

Encountering Blockages

Normally, the jetter nozzle will pass right through grease or soft blockages. More stubborn blockages may require manual manipulation of the hose combined with the pulse action of the pump.

Once through the obstruction, pass the jetter nozzle back and forth several times through that section of the drain to ensure it is thoroughly cleared, then advance the nozzle several feet further down the line before retrieving the hose.

“Jet-Cleaning” or “Jetting” the Line

The Jetter's cleaning action occurs by the nozzle orifices directing high pressure water at the walls of the drain line. This same pressure produces the thrust that pushes the nozzle down the line. This cleaning action helps to restore the drain to the full inside line diameter. The slower the jetter hose is retrieved, the better the results.

Before the jetter hose is retrieved back out of the drain, turn the pulse dampener valve (#2) to the OFF position. This will maximize the pressure and flow at the nozzle. Slowly retrieve the jetter hose and clean the inside walls of the drain.

▲ WARNING Never permit end of hose to rotate out of the pipe being cleaned. Hose can whip and nozzle spray can penetrate skin causing serious injury.

Pressure Wash Package

Both the KJ-1350 and KJ-1750 can operate as pressure washers to spray wash service vehicles, tools, drain cleaning equipment and cables. The wash wand mounted to the 1/4" x 35' hose is attached to the jetter outlet port. Detergent can be dispensed for more effective cleaning by using the injector manifold. Attach the supply hose to

the manifold and submerge the other end into a liquid solution.

Washer Operation

▲ WARNING Water spray should not be pointed at any human.

To utilize the pressure wash feature make sure both pulse valves are in the OFF position. Adjust system pressure with the wash wand activated. The wash wand will fit the 1/4" ID x 35' hose provided or any 1/4" ID jetter hose. The injector introduces a detergent into the water flow for more effective cleaning. To use the injector:

1. Attach the injector to the outlet port by removing the connection hose and quick coupling on the Jetter. Use thread sealant to prevent any leaks. Make sure arrow on manifold is going in the right direction (away from Jetter).
2. Re-attach connection hose and attach wash wand hose to quick coupling.
3. Place one end of a siphon hose into the detergent's container and other end on injector manifold.
4. The wash wand has two adjustments on the nozzle. By rotating the nozzle the wash pattern can be wide or narrow. The nozzle can be pushed forward for low pressure. Detergents are only dispensed when wash wand nozzle is in the low pressure setting.
5. After the application, pull the nozzle back to achieve full pressure.

▲ WARNING Do not spray flammable liquids or toxic materials.

Accessories

⚠ WARNING Only the following RIDGID products have been designed to function with the Water Jetting Machine. Other accessories suitable for use with other tools may become hazardous when used on the machines. To prevent serious injury, use only the recommended accessories.

Jetter Nozzles and Hoses

Catalog No.	Model No.	Description	Hose I.D.	Hose O.D.
64707	H-21	KJ-1350 Propulsion Nozzle	1/8" NPT	
64712	H-22	KJ-1350 Penetrating Nozzle	Fits 1/8" &	-
64717	H-24	KJ-1350 Drop Head Nozzle	1/4" Hose	-
82832	H-25	KJ-1350 Spin Nozzle	1/8" NPT	
64722	H-31	KJ-1350 Propulsion Nozzle	1/4" NPT	-
64727	H-32	KJ-1350 Penetrating Nozzle	Fits 1/2" Hose	-
64742	H-41	KJ-1750 Propulsion Nozzle	1/8" NPT	
64747	H-42	KJ-1750 Penetrating Nozzle	Fits 1/8" &	-
64752	H-44	KJ-1750 Drop Head Nozzle	1/4" Hose	-
82837	H-45	KJ-1750 Spin Nozzle	1/8" NPT	
64757	H-51	KJ-1750 Propulsion Nozzle	1/4" NPT	-
64762	H-52	KJ-1750 Penetrating Nozzle	Fits 1/2" Hose	-
52957	H-1825	1/8" x 25' Sink Trap Hose	1/8"	3/16"
53037	H-1850	1/8" x 50' Sink Trap Hose	1/8"	3/16"
45792	H-1425	1/4" x 25'	3/16"	1/4"
47597	H-1435	1/4" x 35'	3/16"	1/4"
47602	H-1450	1/4" x 50'	3/16"	1/4"
49272	H-1475	1/4" x 75'	3/16"	1/4"
49277	H-1400	1/4" x 100'	3/16"	1/4"
64732	H-1415	1/4" x 150'	3/16"	1/4"
50002	HL-1	Flexible Leader, 1/4" x 12"	1/8"	3/16"
50007	HL-2	Flexible Leader, 1/2" x 18"	1/8"	3/16"
47607	H-1250	1/2" x 50'	1/4"	1/2"
47612	H-1275	1/2" x 75'	1/4"	1/2"
47617	H-1200	1/2" x 100'	1/4"	1/2"
51587	H-1211	1/2" x 110'	1/4"	1/2"
49487	H-1215	1/2" x 150'	1/4"	1/2"
51597	H-1220	1/2" x 200'	1/4"	1/2"

1/8" NPT fits 1/4" Trap Hose
1/4" NPT fits 1/2" and 3/16" Jet Hose

Jetter Accessories

Catalog No.	Model No.	Description
64697	H-10	H-10 Cart with Hose Reel
62592	H-10 WH	H-10 Cart with Hose Reel and 100' x 1/4" Trap Hose
62882	H-5	Mini Hose Reel (fits H-10 cart) 150' x 1/4" Capacity
64737	H-30	H-30 Cart with Hose Reel
62877	H-30 WH	H-30 Cart with Hose Reel and 110' x 1/2" Jet Hose
62887	HP-EL	Pressure Wash Package, Electric Jetters
64702	HW-EL	Wash Wand, Electric Jetters
51572	H-1235	1/2" x 35' Wash Hose
62897	H-10A	KJ-1750 Adapter to Fit H-10 Cart
62892	H-30A	KJ-1350 Adapter to Fit H-30 Cart
48367	H-25	Winterizing Kit
47542	H-21	Nozzle Cleaning Tool
67187	H-32	Jet Vac

H-5 Mini Hose Reel

The hose reel and 100' of 1/4" jetter hose that is included with the H-10 cart is available as an accessory (H-5). The reel has a total capacity of 150'. The hose reel, along with a foot valve, can be used for remote jetting through roof vents.

Maintenance Instructions

WARNING

Make sure machine is unplugged from power source before performing maintenance or making any adjustment.

Inlet Filter Screen

Before each use:

- Check inlet filter screen for debris that can restrict water flow into the pump resulting in poor performance. If filter screen is dirty or clogged, remove, clean, and replace.

Jetter Nozzle Orifice

Before each use:

- Check the jetter nozzle orifices for debris. If an orifice is blocked, use nozzle cleaning tool to clear and remove debris.

Jetter Flushing

After use:

- Run clear water through the jetter and hose(s) in order to flush out debris or detergent. Make sure nozzle is removed from hose for maximum water flow. Flushing should always be done after using the injector in order to flush out detergents.

Winterizing

CAUTION Freezing temperatures can cause serious damage to the pump. If such cold conditions are to be encountered in storage, charge the jetter with RV (non-ethylene glycol) Anti-Freeze.

The winterizing kit (H-25) includes RV Anti-Freeze and a delivery hose with quick coupling that attaches to the inlet valve.

⚠ WARNING EPA mandates that no substances containing ethylene glycol can be used in a drainage system.

Machine Storage

▲ WARNING Motor-driven equipment must be kept indoors or well covered in rainy weather. Store the machine in a locked area that is out of reach of children and people unfamiliar with drain cleaners. This machine can cause serious injury in the hands of untrained users.

Service and Repair

▲ WARNING



The “Maintenance Instructions” will take care of most of the service needs of this machine. Any problems not addressed by this section should only be handled by an authorized RIDGID service technician.

Machine should be taken to a RIDGID Independent Authorized Service Center or returned to the factory. All repairs made by Ridge service facilities are warranted against defects in material and workmanship.

▲ WARNING When servicing this machine, only identical replacement parts should be used. Failure to follow these instructions may create a risk of serious injury.

If you have any questions regarding the service or repair of this machine, call or write to:

Ridge Tool Company
 Technical Service Department
 400 Clark Street
 Elyria, Ohio 44035-6001
 Tel: (800) 519-3456
 E-mail: rtctechservices@emerson.com

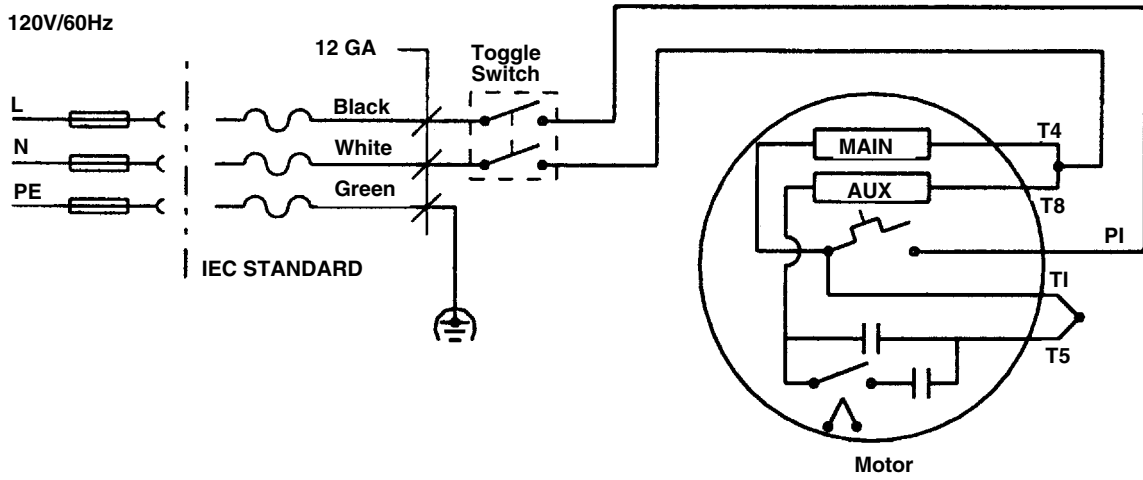
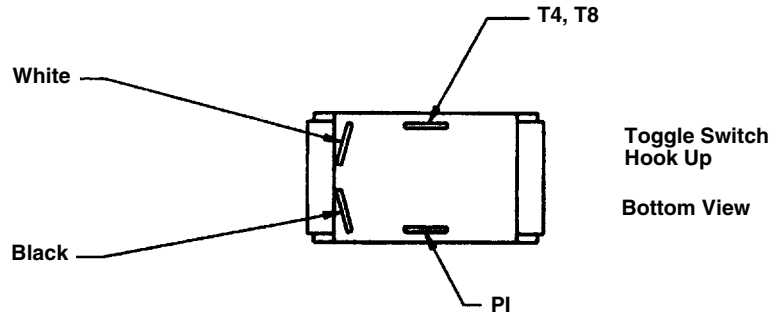
For name and address of your nearest Independent Authorized Service Center, contact the Ridge Tool Company at (800) 519-3456 or <http://www.RIDGID.com>

Troubleshooting

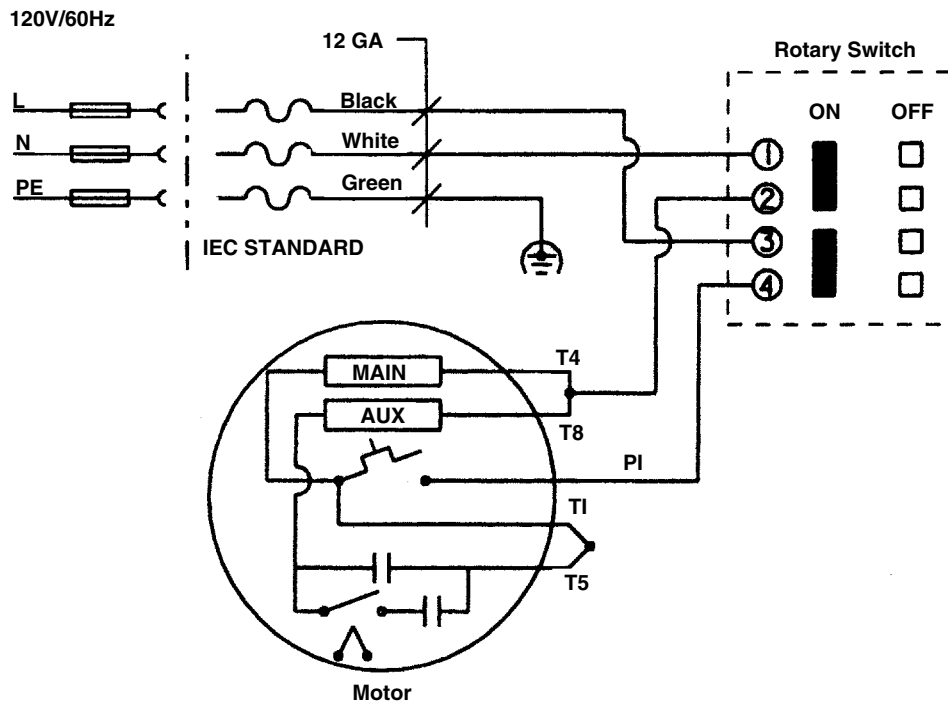
PROBLEM	CAUSE	CORRECTION
Jetter runs but produces little or no pressure.	Inadequate water supply.	Make certain water supply faucet is ON. Make certain jetter's water supply inlet valve is ON. Make certain water supply hose is clear and not kinked or collapsed.
Jetter will not adjust to full operating pressure at start-up.	Air is trapped in system. Jetter nozzle thrusters are blocked.	Remove nozzle from jet hose and run jetter to flush air/debris from system. Remove nozzle and clean thruster orifices with nozzle cleaning tool.
Jetter pressure gauge oscillates from 100 to 1000 PSI.	Jetter nozzle thrusters are blocked. Debris or air trapped in system.	Remove nozzle. Use nozzle cleaning tool to clear nozzle orifices: select proper wire size and push completely through each thruster orifice to remove debris. Remove nozzle and insert jet hose in drain line. Run jetter to flush trapped air or debris.

Wiring Diagrams

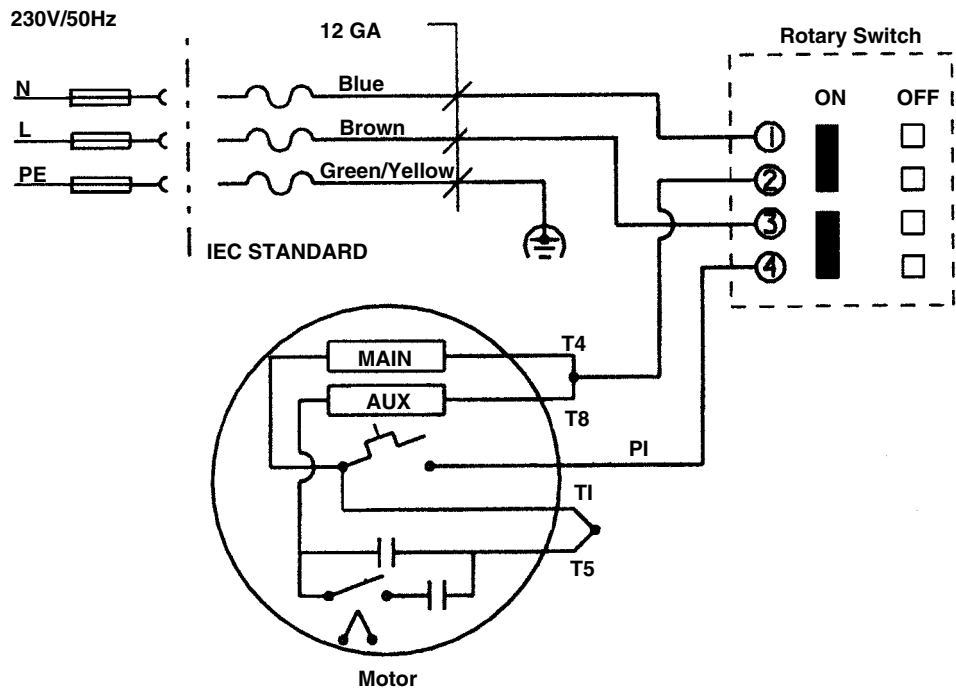
KJ-1350 — 120V



KJ-1750 — 120V

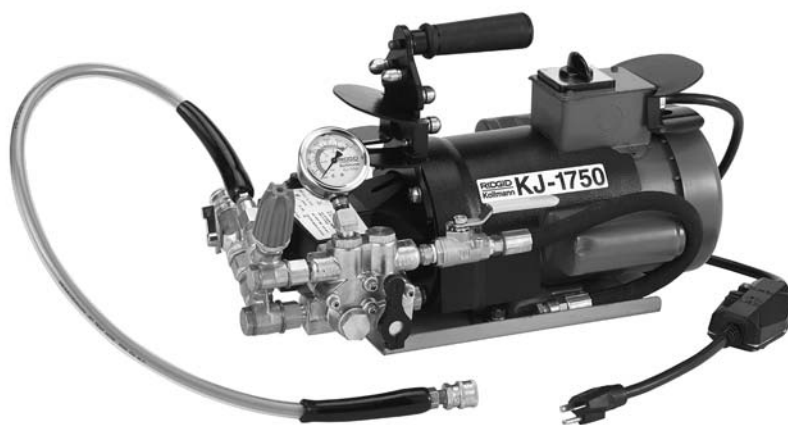


KJ-1750-Export — 230V



RIDGID®

Dégorgeoirs à jet d'eau KJ-1350 et KJ-1750



Dégorgeoirs à jet d'eau KJ-1350 et KJ-1750

Inscrivez ci-dessous le numéro de série de la plaque signalétique l'appareil pour future référence.

N° de
série :

Table des Matières

Fiche d'enregistrement des numéros de modèle et de série de la machine	15
Consignes générales de sécurité	
Sécurité du chantier	17
Sécurité électrique	17
Sécurité personnelle	18
Utilisation et entretien de la machine	18
Réparations.....	18
Consignes de sécurité particulières	
Sécurité du dégorgeoir.....	19
Description, spécifications et équipements de base	
Description	19
Spécifications.....	19
Équipements de base	20
Buses et flexibles	20
Accessoires.....	20
Assemblage de la machine	
Fonctionnement de la pompe	20
Chariots de transport	21
Inspection de la machine.....	21
Préparation de la machine et du chantier	
Tableau de sélection des buses	23
Tableau de sélection des flexibles	23
Mode d'emploi	
Démarrage du moteur et réglage de la pression	24
Régulateurs de pulsation	25
Curage normal	25
Utilisation du pulsateur pour négocier les coudes et les siphons	25
Négociation des coudes serrés.....	25
Élimination des blocages	26
"Nettoyage" ou "curage" sous pression des canalisations	26
Ensemble nettoyeur haute pression	26
Utilisation du nettoyeur haute pression.....	26
Accessoires	
Buses et flexibles haute pression	27
Accessoires pour dégorgeoir	27
Mini-enrouleur H-5	27
Consignes d'Entretien	
Tamis de filtration d'eau.....	27
Orifice de buse.....	27
Purge de l'appareil	27
Hivérisation	27
Stockage de la machine.....	27
Service après-vente et réparations.....	28
Dépannage.....	28
Schémas électriques.....	29
Garantie à vie	Page de garde

Consignes générales de sécurité

MISE EN GARDE ! Familiarisez-vous avec l'ensemble des instructions. Le respect des consignes suivantes vous permettra d'éviter les risques de choc électrique, d'incendie et/ou de lésions corporelles graves.

CONSERVEZ CES INSTRUCTIONS !

Sécurité du chantier

- **Gardez le chantier propre et bien éclairé.** Les établis encombrés et les locaux mal éclairés sont une invitation aux accidents.

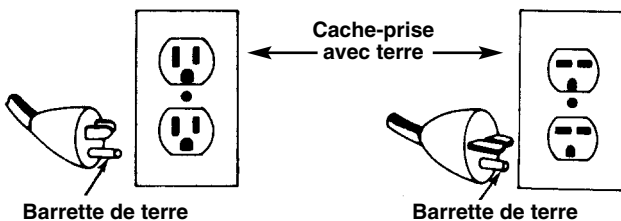
RISQUE D'INCENDIE !

- **N'utilisez pas d'appareils électriques de ce type dans un milieu explosif tel qu'en présence de liquides, de gaz ou de poussières inflammables.** Ce type d'appareil produit des étincelles qui pourraient causer la poussière ou les vapeurs de s'enflammer.
- **Gardez les tiers, les enfants et les visiteurs à l'écart lorsque vous utilisez un appareil électrique.** Les distractions peuvent vous faire perdre le contrôle de l'appareil.

Sécurité électrique

MISE À LA TERRE :

- **Les appareils électriques avec terre doivent être branchés sur une prise avec terre appropriée et installée selon les normes en vigueur. Ne jamais tenter d'enlever la barrette de terre ou de modifier la fiche de manière quelconque. Ne pas utiliser d'adaptateurs de prise. En cas de doute concernant la bonne mise à la terre d'une prise électrique, consultez un électricien qualifié.** En cas de panne ou d'anomalie électrique, la mise à la terre assure un passage de faible résistance qui éloigne le courant électrique de l'utilisateur.



- **Évitez tout contact avec des surfaces reliées à la terre telles que tuyauteries, radiateurs, cuisinières ou réfrigérateurs.** Les risques de choc électrique augmentent lorsque votre corps est en contact avec une masse.

DISJONCTEURS DIFFÉRENTIELS (GFCI) :

- **Le dégorgeoir à jet d'eau est équipé d'un disjon-**

teur différentiel (GFCI) incorporé à son cordon d'alimentation. Ce disjoncteur différentiel offre une protection supplémentaire contre les risques de choc électrique.

- **Avant d'utiliser l'appareil, testez le disjoncteur différentiel (GFCI) incorporé à son cordon d'alimentation afin d'assurer qu'il fonctionne correctement.** Un disjoncteur différentiel endommagé augmenterait les risques de choc électrique.
- **Ne maltraitez pas le cordon d'alimentation ou son disjoncteur différentiel. Protégez-les contre les sources de chaleur, l'huile et les objets tranchants.** Les cordons endommagés augmentent les risques de choc électrique.

RALLONGES ÉLECTRIQUES :

- **Lorsque vous utilisez l'appareil à l'extérieur, utilisez exclusivement une rallonge électrique portant la désignation "W-A" ou "W".** Ce type de rallonge est prévu pour être utilisé à l'extérieur et réduit les risques de choc électrique.
- **N'utilisez que des rallonges électriques à trois fils, équipées de fiches et de prises avec terre compatibles avec la fiche de l'appareil.** L'utilisation d'autres types de rallonge électrique n'assurerait pas la mise à la terre de l'appareil et augmenterait les risques de choc électrique.
- **Il n'est conseillé d'utiliser une rallonge électrique que lorsque celle-ci est branchée dans un réceptacle protégé par un disjoncteur différentiel (GFCI).** Le disjoncteur différentiel de la machine ne protège pas contre les chocs électriques provenant des rallonges électriques.
- **Utilisez la section de rallonge appropriée (voir tableau).** Une section de conducteurs insuffisante provoquerait une perte de tension excessive, un manque de puissance et la surchauffe de l'appareil.

Section minimale des fils conducteurs des rallonges			
Ampères indiqués sur la plaque signalétique	Longueur totale (en pieds)		
	0 à 25	26 à 50	51 à 100
0 à 6	18 AWG	16 AWG	16 AWG
6 à 10	18 AWG	16 AWG	14 AWG
10 à 12	16 AWG	16 AWG	14 AWG
12 à 16	14 AWG	12 AWG	Déconseillé

- **Ne maltraitez pas les rallonges électriques. Protégez-les contre les sources de chaleur, l'huile et les objets tranchants.** Ne jamais tirer sèchement sur un cordon électrique quelconque pour le débrancher. Les cordons électriques endommagés augmentent les risques de choc électrique.

- **Gardez toutes connexions électriques au sec et surélevées. Ne touchez pas les connexions ou l'appareil avec les mains mouillées.** Cela réduira les risques de choc électrique.
- **Débranchez systématiquement la rallonge électrique du réceptacle avant de débrancher l'appareil de la rallonge.** Cela réduira les risques de choc électrique.

Sécurité personnelle

- **Soyez attentif, faites attention à ce que vous faites et faites preuve de bon sens lorsque vous utilisez un appareil électrique. N'utilisez pas ce type d'appareil lorsque vous êtes fatigués ou lorsque vous prenez des médicaments, de l'alcool ou des produits pharmaceutiques.** Un instant d'inattention peut entraîner de graves blessures lorsque l'on utilise un appareil électrique.
- **Habillez-vous de manière appropriée. Ne portez pas de vêtements amples ni de bijoux. Attachez les cheveux longs. Gardez vos cheveux, vos vêtements et vos gants à l'écart des mécanismes.** Les vêtements amples, les bijoux et les cheveux longs peuvent s'entraver dans le mécanisme.
- **Évitez les démarrages accidentels. Assurez-vous que l'interrupteur est à la position OFF (arrêt) avant de brancher la machine.** Porter un appareil électrique avec votre doigt sur l'interrupteur (ou le brancher avec son interrupteur en position de marche) est une invitation aux accidents.
- **Enlevez les clés et autres dispositifs de réglage avant de mettre l'appareil en marche.** Une clé laissée sur une partie rotative de l'appareil risque de provoquer des blessures graves.
- **Ne vous mettez pas en porte-à-faux. Gardez une bonne assise et un bon équilibre à tous moments.** Une bonne assise et un bon équilibre vous assurent de mieux contrôler l'appareil en cas d'imprévu.
- **Utilisez les dispositifs de sécurité appropriés. Portez des lunettes de sécurité systématiquement.** Un masque à poussière, des chaussures de sécurité, le casque et/ou une protection auditive doivent être portés selon les conditions d'utilisation.
- **N'utilisez pas d'appareil électrique dont l'interrupteur ne permet pas d'assurer sa mise en marche ou son arrêt.** Tout appareil qui ne peut pas être contrôlé par son interrupteur est dangereux et doit être réparé.
- **Débranchez l'appareil avant tout réglage, changement d'accessoires ou stockage.** De telles mesures préventives réduisent les risques de démarrage accidentel de l'appareil.
- **Rangez les appareils inutilisés hors de la portée des enfants et des novices.** Ces appareils peuvent être dangereux dans les mains d'un novice.
- **Entretenez vos outils consciencieusement. Assurez-vous du bon fonctionnement des robinets, des flexibles et des buses.** Les outils bien entretenus sont moins susceptibles de défaillir et de provoquer des blessures corporelles.
- **Assurez-vous qu'il n'y a pas de mauvais alignement ou de grippage des pièces rotatives ou d'autres conditions qui pourraient entraver le bon fonctionnement de l'appareil. Le cas échéant, il sera nécessaire de faire réparer l'appareil avant de vous en servir.** De nombreux accidents sont le résultat d'un appareil mal entretenu.
- **Utilisez exclusivement les accessoires recommandés par le fabricant pour votre type d'appareil.** Les accessoires prévus pour un certain type d'appareil peuvent être dangereux lorsqu'ils sont utilisés sur un autre type d'appareil.
- **Examinez l'appareil et les rallonges électriques régulièrement et remplacez tout élément endommagé.** Les cordons électriques endommagés augmentent les risques de choc électrique.
- **Gardez les poignées de la machine propres, sèches et dépourvues d'huile ou de graisse.** Cela vous permettra de mieux contrôler l'appareil.
- **S'il devient nécessaire de remplacer le cordon d'alimentation de l'appareil, utilisez exclusivement des pièces de rechange identiques à celles d'origine, disjoncteur différentiel compris.** La protection offerte par le disjoncteur différentiel doit être maintenue afin de limiter les risques de choc électrique.

Utilisation et entretien de l'appareil

- **Ne forcez pas l'appareil. Utilisez l'appareil prévu pour l'application en question.** L'outil approprié assurera un meilleur travail et une meilleure sécurité s'il est utilisé au régime prévu.

Service après-vente

- **Toutes réparations de l'appareil doivent être confiées à un réparateur qualifié.** La réparation ou l'entretien de l'appareil par du personnel non qualifié risquerait de provoquer des accidents.
- **Lors de la réparation de l'appareil, utilisez exclu-**

sivement des pièces de rechange identiques à celles d'origine. Suivez les instructions de la section "Entretien" du mode d'emploi. L'utilisation de pièces de rechange non homologuées et le non-respect des consignes d'entretien peut créer un risque de choc électrique ou de blessure corporelle.

Consignes de Sécurité Particulières

▲ MISE EN GARDE !

Lisez soigneusement ce mode d'emploi avant d'utiliser le dégorgeoir à jet d'eau KJ-1350 ou KJ-1750. Le non-respect de son contenu augmenterait les risques d'incendie et/ou de graves lésions corporelles.

Veillez adresser toutes questions éventuelles aux services techniques de la Ridge Tool Company en composant le (800) 519-3456.

Sécurité du dégorgeoir à jet d'eau

- **N'utilisez pas cet appareil à une pression supérieure à sa pression nominale ou avec de l'eau dont la température d'arrivée est supérieure à 140° F.** L'appareil sera plus efficace et moins dangereux lorsqu'il est utilisé à la pression et température d'eau prévues.
- **Ne laissez jamais l'extrémité du flexible tourner à l'extérieur de la canalisation.** Le flexible risque de fouetter, et l'eau sous pression émise par la buse est capable de pénétrer la peau et provoquer de graves lésions.
- **Porter des gants et des bottes en caoutchouc.** Ces équipements vous isolent contre les chocs électriques éventuels en cas d'anomalie ou de panne électrique.
- **N'orientez pas le jet d'eau en direction d'autrui.** Sa pression élevée peut occasionner de graves blessures. Si le liquide semble avoir pénétré la peau, appelez immédiatement les services d'urgence.
- **Faites particulièrement attention lors du curage d'une canalisation qui a été préalablement traitée aux produits chimiques. Évitez tout contact direct avec la peau ou les yeux.** Certains produits de nettoyage peuvent provoquer de graves brûlures.
- **Ce dégorgeoir est prévu pour le curage des canalisations d'évacuation. Respectez les instructions du mode d'emploi.** Toute autre utilisation augmenterait les risques d'accident.

- **Ne pulvérisez pas de liquides inflammables.** La pulvérisation de liquides inflammables risque de provoquer un incendie ou une explosion.
- **Ne pulvérisez pas de produits toxiques tels que les insecticides ou les désherbants.** Ce type de produit peut être dangereux.
- **Ne jamais tenter de laver la machine à l'aide de son propre jet.** La pression élevée de la machine risque d'endommager ses composants.
- **Ne pas pulvériser les appareillages ou câblages électriques.** Cela limitera les risques de choc électrique.

Description, Spécifications et Equipements

Description

Les KJ-1350 et KJ-1750 sont des dégorgeoirs haute pression portatifs qui utilisent une combinaison de pression et de débit d'eau pour dégager les amas de graisse et les blocages mous des canalisations d'évacuation de 1/4" à 4" de diamètre. Ces dégorgeoirs peuvent être soit portés à la main, soit montés sur un chariot de transport à deux roues avec enrouleur.

Le KJ-1350 est équipé d'un moteur électrique de 1 1/2 CV produisant une pression nominale de 1350 psi à un débit nominal de 1,4 gpm. Cet appareil est prévu pour les applications résidentielles et commerciales légères.

Le KJ-1750 est équipé d'un moteur de 2 CV produisant une pression nominale de 1750 psi à un débit nominal de 1,4 gpm. Celui-ci est prévu pour les applications commerciales et industrielles lourdes.

Spécifications

KJ-1350

- Capacité de curage** ...Recommandé pour les canalisations d'évacuation Ø 1 1/4" à 4 po d'une longueur maximale de 200 pieds.
- Moteur** 1 1/2 CV à 1725 t/min., 14A
- Pompe** à plongeur duplex
- Pression** 1350 psi
- Débit** 1,4 gpm
- Poids (dégorgeoir seul)** 30,5 kg (67 livres)

KJ-1750

- Capacité de curage** ...Recommandé pour les canalisations d'évacuation Ø 1 1/4" à 4 po d'une longueur maximale de 200 pieds.

Moteur2 CV à 1725 t/min., 17A
Pompeà plongeur duplex
Pression1750 psi
Débit1,4 gpm
Poids
(dégorgeoir seul)34 kg (75 livres)

Equipements de base

Options machine 115V

Réf. Catalogue	Modèle	Description
62587	KJ-1350	Dégorgeoir KJ-1350 à pulsations – Buses H-21, H-22 et H-24 (1/8" NPT) – Flexible à siphons Ø 1/8" de 25 pieds – Sac de stockage en nylon – Tringle de nettoyage de buses
62597	KJ-1350-C	L'ensemble ci-dessus avec : – Chariot de transport H-10 – Flexible à siphons Ø 1/4" de 100 pieds
63107	KJ-1350-2	Dégorgeoir KJ-1350 à doubles pulsations – Buses H-21, H-22 et H-24 (1/8" NPT) – Flexible à siphons Ø 1/8" de 50 pieds – Sac de stockage en nylon – Tringle de nettoyage de buses
63112	KJ-1350-2C	L'ensemble ci-dessus avec : – Chariot de transport H-10 – Flexible à siphons Ø 1/4" de 100 pieds
62687	KJ-1750	Dégorgeoir KJ-1750 à doubles pulsations – Buses H-41, H-42 et H-44 (1/8" NPT) – Buses H-51 et H-52 (1/4" NPT) – Flexible à siphons Ø 1/8" de 50 pieds – Sac de stockage en nylon – Tringle de nettoyage de buses
62697	KJ-1750-C	L'ensemble ci-dessus avec : – Chariot de transport H-30 – Flexible de jet Ø 1/2" de 110 pieds
67332	KJ-1750-SC	Réf. 62687 avec : – Chariot H-10 – Flexible à siphons Ø 1/4" de 100 pieds

Options machine 230V

Réf. Catalogue	Modèle	Description
66447	KJ-1750-E	Dégorgeoir KJ-1750 à doubles pulsations – Buses H-41, H-42 et H-44 (1/8" NPT) – Flexible à siphons Ø 1/8" de 50 pieds – Sac de stockage en nylon – Tringle de nettoyage de buses
66442	KJ-1750-E SC	Ensemble ci-dessus avec chariot H-10, flexible à siphons Ø 1/4" de 100 pieds

Buses et flexibles haute pression

Réf. Catalogue	Modèle	Description	Ø int. flexible	Ø ext. flexible
64707	H-21	Buse de propulsion KJ-1350	Ø 1/8" (NPT) pour	–
64712	H-22	Buse de pénétration KJ-1350	flexible Ø 1/8"	–
64717	H-24	Buse orientable KJ-1350	et Ø 1/4" NPT	
82832	H-25	Buse tournante KJ-1350	Ø 1/8" NPT	
64722	H-31	Buse de propulsion KJ-1350	Ø 1/8" (NPT) pour	–
64727	H-32	Buse de pénétration KJ-1350	flexible Ø 1/2"	–
64742	H-41	Buse de propulsion KJ-1750	Ø 1/8" NPT pour	–
64747	H-42	Buse de pénétration KJ-1750	flexible Ø 1/8"	–
64752	H-44	Buse orientable KJ-1750	et Ø 1/4"	
82837	H-45	Buse tournante KJ-1750	Ø 1/8" NPT	
64757	H-51	Buse de propulsion KJ-1750	Ø 1/8" NPT pour	–
64762	H-52	Buse de pénétration KJ-1750	flexible Ø 1/2"	–
52957	H-1825	Flexible à siphons Ø 1/8" de 25 pieds	1/8"	3/16"
53037	H-1850	Flexible à siphons Ø 1/8" de 50 pieds	1/8"	3/16"
45792	H-1425	Ø 1/4" de 25 pieds	3/16"	1/4"
47597	H-1435	Ø 1/4" de 35 pieds	3/16"	1/4"
47602	H-1450	Ø 1/4" de 50 pieds	Flexible siphons	3/16"
49272	H-1475	Ø 1/4" de 75 pieds	Ø 1/4"	3/16"
49277	H-1400	Ø 1/4" de 100 pieds		3/16"
64732	H-1415	Ø 1/4" de 150 pieds		3/16"
50002	HL-1	Guide souple Ø 1/4" de 12"	1/8"	3/16"
50007	HL-2	Guide souple Ø 1/2" de 18"	1/8"	3/16"
47607	H-1250	Ø 1/2" de 50 pieds	1/4"	1/2"
47612	H-1275	Ø 1/2" de 75 pieds	1/4"	1/2"
47617	H-1200	Ø 1/2" de 100 pieds	1/4"	1/2"
51587	H-1211	Ø 1/2" de 110 pieds	Flexible de jet	1/4"
49487	H-1215	Ø 1/2" de 150 pieds	Ø 1/2"	1/4"
51597	H-1220	Ø 1/2" de 200 pieds		1/4"

Ø 1/8" NPT pour flexible à siphons Ø 1/4" ; Ø 1/4" NPT pour flexibles de jet Ø 1/2" et 3/8"

Accessoires

Réf. Catalogue	Modèle	Description
64697	H-10	Chariot à enrouleur H-10
62592	H-10 WH	Chariot à enrouleur H-10 avec flexible à siphons Ø 1/4" de 100 pieds
62882	H-5	Mini-enrouleur (pour chariot H-10) capacité : Ø 1/4" de 100 pieds
64737	H-30	Chariot à enrouleur H-30
62877	H-30 WH	Chariot à enrouleur H-30 avec flexible de jet Ø 1/2" de 110 pieds
62887	HP-EL	Ensemble nettoyeur haute pression pour dégorgeoirs électriques
64702	HW-EL	Baguette de lavage pour dégorgeoirs électriques
51572	H-1235	Flexible de lavage Ø 1/2" de 35 pieds
62897	H-10A	Adaptateur KJ-1750 pour chariot H-10
62892	H-30A	Adaptateur KJ-1350 pour chariot H-30
48367	H-25	Ensemble d'hivernisation
47542	H-21	Outil de nettoyage de buse
67187	H-32	Aspirateur à jet

Assemblage de la machine

⚠ MISE EN GARDE !

Il est impératif d'assembler les dégorgeoirs KJ-1350 et KJ-1750 de manière appropriée afin d'éviter les blessures graves. Respectez les consignes d'assemblage suivantes :

Pompe

Retirez le bouchon obturateur de la pompe et remplacez-le par la jauge à évent. Vérifiez le niveau d'huile de la pompe (le dégorgeoir est livré avec huile). Si nécessaire, faites l'appoint avec de l'huile détergente SAE 30W.

Chariot de transport

Chariot H-10

Les KJ-1350 et KJ-1750 peuvent être montés sur ce chariot sans besoin d'outils. Soulevez et positionnez le dégorgeoir sur le chariot en vérifiant que sa première extrémité s'engage dans le chariot et qu'à l'autre extrémité, son goujon s'enfile dans le logement correspondant (*Figure 1*). Serrez la manette pour arrimer le dégorgeoir. Un adaptateur est disponible pour le montage du KJ-1750 sur le H-10.

L'enrouleur (avec ses 100 pieds de flexible pression Ø 1/4") se monte au niveau du réceptacle le plus proche de la poignée (*Figure 1*). Introduisez le goujon de l'enrouleur dans l'orifice, puis serrez la manette.

Pour en faciliter son stockage, le chariot de transport H-10 peut être replié en desserrant les deux manettes des rails latéraux, puis en enfonçant sa poignée.

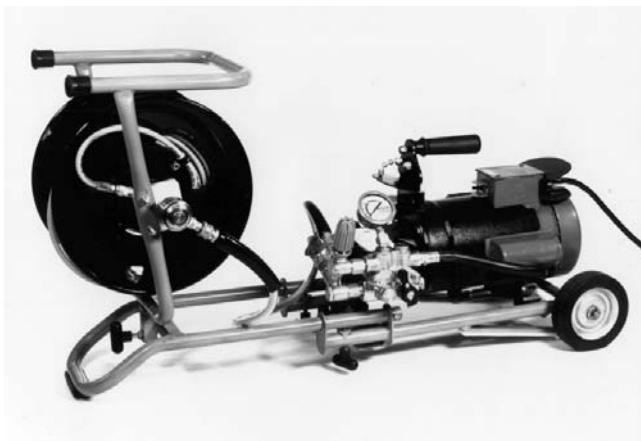


Figure 1 – Chariot à enrouleur H-10

▲ MISE EN GARDE N'oubliez pas de serrer les manettes à fond avant de soulever ou de transporter l'appareil.

Chariot à enrouleur H-30

De dimensions plus importantes, le chariot H-30 à enrouleur permet de monter le KJ-1750 sans besoin d'outils. Posez le dégorgeoir sur le plateau en engageant les broches de positionnement. Tenez-le en place, puis attachez les clips avant et arrière à l'embase du dégorgeoir. Un adaptateur permettant le montage du KJ-1350 sur le H-30 est également disponible.

Inspection de la machine

▲ MISE EN GARDE !



L'inspection du dégorgeoir permet d'éviter les accidents graves. Respectez les consignes d'inspection quotidienne suivantes.

1. Vérifiez le niveau d'huile du moteur et de la pompe. Si nécessaire, faites l'appoint avec de l'huile non détergente SAE 30.

NOTA ! Ce dégorgeoir doit toujours être posé sur son embase pour empêcher l'huile de s'échapper du réservoir.

2. Examinez le dégorgeoir pour signes de pièces endommagées, mal alignées ou grippées, ainsi que pour toutes autres anomalies qui pourraient nuire à la sécurité et au bon fonctionnement de l'appareil. Le cas échéant, n'utilisez pas le dégorgeoir tant que le problème n'a pas été résolu.
3. Examinez le cordon d'alimentation, le disjoncteur différentiel et la fiche de l'appareil pour signes de détérioration. Si la fiche a été modifiée, qu'elle manque de barrette de terre ou que le cordon d'alimentation est endommagé, ne pas utiliser le dégorgeoir avant que son cordon d'alimentation ait été remplacé.

▲ MISE EN GARDE Lors du remplacement du cordon d'alimentation, n'utilisez que des pièces de rechange identiques avec disjoncteur différentiel.

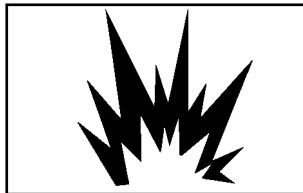
4. Examinez le tamis de filtration d'arrivée d'eau pour signes de colmatage qui pourraient limiter le débit d'eau vers la pompe et nuire aux performances de l'appareil. Le cas échéant, enlevez, nettoyez et réinstallez le tamis.
5. Utilisez les accessoires prévus pour votre type de dégorgeoir et qui répondent aux besoins du travail en question. L'utilisation des accessoires appropriés vous permettra d'achever les travaux correctement et en toute sécurité. Toute tentative d'adaptation d'accessoires prévus pour d'autres types de matériel risque s'avérer dangereuse.
6. Éliminez toutes traces d'huile, de graisse ou de crasse des poignées et des commandes de l'appareil. Cela vous assurera un meilleur contrôle de l'appareil en cas d'imprévu.

7. Examinez les orifices de la buse pour signes de colmatage. Le cas échéant, nettoyez-les à l'aide de la tringle de nettoyage de buse.
8. Examinez les flexibles pour signes d'usure ou de détérioration. Tout flexible endommagé doit être remplacé.

▲ MISE EN GARDE Les flexibles endommagés risquent d'éclater et de provoquer de graves lésions corporelles. N'utilisez que des flexibles et raccords compatibles avec à la pression nominale du dégorgeoir.

Préparation de la machine et du chantier

▲ MISE EN GARDE !



Il est impératif, pour raisons de sécurité, de respecter les consignes suivantes visant la préparation de la machine et du chantier suivantes :

1. Assurez-vous que le local :
 - Offre un éclairage suffisant.
 - Ne contient pas de liquides, de vapeurs ou de poussières combustibles.
 - Dispose d'une prise de courant de 20A avec terre.
 - Assure un passage dégagé jusqu'à la prise de courant, sans sources de chaleur ou d'huile, de surfaces tranchantes ou de mécanismes qui pourraient endommager le cordon d'alimentation.
 - Un emplacement au sec pour la machine et son utilisateur. N'utilisez pas cette machine lorsque vous avez les pieds dans l'eau.
 - Un point d'alimentation d'eau.

NOTA ! Lorsque l'appareil est relié à un réseau d'eau potable, il convient de prendre toutes les précautions réglementaires nécessaires afin d'éviter les renvois.

2. Montez le raccord rapide sur tuyau d'alimentation d'eau. Branchez le tuyau d'alimentation d'eau sur l'arrivée du dégorgeoir, puis fermez le robinet d'arrivée d'eau (*Figure 2*).



Figure 2 – Branchement du tuyau d'arrivée d'eau sur le dégorgeoir. Fermeture du robinet d'arrivée (montré en position fermée).

3. Raccordez l'autre extrémité du tuyau d'arrivée d'eau au robinet d'alimentation, puis ouvrez le robinet. Assurez-vous que le tuyau d'alimentation n'est ni plissé, ni excessivement tordu.

AVERTISSEMENT L'eau chaude améliore les performances du dégorgeoir, surtout lors du nettoyage des amas de graisse. Limitez la température de l'eau à 140°F.

4. Branchez le flexible pression au raccord rapide du flexible de connexion à la sortie du dégorgeoir (*Figure 3*). (*Reportez-vous au "Tableau de sélection des flexibles"*)
5. Lors de l'utilisation d'un enrouleur, raccordez le flexible au raccord fixe de ce dernier.
6. Enfilez le flexible du dégorgeoir, sans buse, dans la canalisation sur une distance de 6 à 8 pouces.
7. Ouvrez le robinet d'arrivé et laissez courir l'eau à travers le dégorgeoir et les flexibles avec l'appareil arrêté.
8. Continuez de faire courir l'eau jusqu'à ce que tout air ait été purgé.
9. Fermez le robinet d'arrivé.

NOTA ! Le KJ-1350 et le KJ-1750 sont équipés de clapets anti-retour pour éviter les renvois.

10. Montez une buse sur le flexible du dégorgeoir (*reportez-vous au tableau de sélection des buses*). Serrez-le complètement à la main. Une buse trop serrée risque de limiter le débit d'eau à travers ses orifices et diminuer les performances de l'appareil.



Figure 3 – Raccordement du flexible pression au dégorgeoir

⚠ MISE EN GARDE Ne pas retirer la buse de la canalisation tant que le système est sous pression. Marquez lisiblement le flexible à 60 cm (24") en arrière de la buse afin de pouvoir repérer sa position.

11. Enfilez le flexible dans la canalisation sur une distance de quelques pieds.
12. Ouvrez le robinet d'arrivée d'eau et vérifiez que l'eau s'écoule librement par la buse.
13. Branchez le cordon d'alimentation du dégorgeoir sur la prise de courant en faisant attention de lui faire suivre le passage dégagé précédemment établi. Si le cordon d'alimentation n'arrive pas jusqu'à la prise de

courant, servez-vous d'une rallonge électrique en bon état.

⚠ MISE EN GARDE Afin d'éviter les risques de choc et d'incendie électriques, ne jamais utiliser de rallonges électriques endommagées ou qui ne répondent pas aux critères suivants :

- Cordon avec fiche à trois barrettes semblable à celle indiquée à la section "Sécurité électrique".
- Cordon homologué "W" ou "W-A" pour les utilisations à l'extérieur.
- Cordon à fils conducteurs de section suffisante (12 AWG). Des fils conducteurs de section insuffisante risquent de surchauffer au point de faire fondre leur gaine isolante ou provoquer la combustion des objets à proximité.

⚠ MISE EN GARDE Afin de limiter les risques de choc électrique, gardez toutes connexions électriques au sec et surélevées. Ne touchez pas les connexions avec les mains mouillées. Testez le disjoncteur différentiel du cordon d'alimentation de l'appareil pour vous assurer de son bon fonctionnement. En appuyant sur le bouton de contrôle, le témoin lumineux doit s'éteindre. Réactivez le disjoncteur en enfonçant le bouton de réarmement. Si le témoin s'allume, la machine est prête à fonctionner. Ne pas utiliser la machine si son disjoncteur différentiel ne fonctionne pas correctement.

TABLEAU DE SELECTION DES BUSES

	KJ-1350	KJ-1750	
Filetage	1/8" NPT	1/8" NPT	1/4" NPT
Ø intérieur flexible	1/8" et 3/16"	1/8" et 3/16"	1/4"
Comprenant trois jets de propulsion pour un maximum de propulsion sur les grandes distances, cette buse sert à la majorité des applications.	H-21	H-41	H-51
Cette buse utilise trois jets de propulsion et un jet de dégorgeur pour pénétrer les amas de graisse et de boue. Le jet de dégorgeur perce un petit trou dans le blocage pour que la buse puisse suivre. Elle est également très efficace pour déloger les blocages de glace.	H-22	H-42	H-52
Utilisez la buse orientable pour aider à négocier les coudes serrés. Cette buse utilise trois jets de propulsion.	H-24	H-44	
Servez-vous de la buse tournante pour éliminer les amas de graisse et autres blocages.	H-25	H-45	

TABLEAU DE SELECTION DES FLEXIBLES

Applications	Ø tuyau	Ø buse	Ø flexible	Ø int. flexible
Lavabos, urinoirs, petites canalisations	1 1/4" – 2"	1/8" NPT	1/8"	1/8"
Eviers, bacs à laver, colonnes, tampons de dégorgeur, événements	2" – 3"	1/8" NPT	1/4"	3/16"
Siphons de douche et de sol, canalisations latérales, bac dégraisseurs	3" – 4"	1/4" NPT	1/2"	1/4"

Mode d'emploi

▲ MISE EN GARDE !



Portez systématiquement une protection oculaire afin de protéger vos yeux contre la projection de débris et autres matières. Portez des bottes ou des chaussures antidérapantes à semelle en caoutchouc.

Ne pulvérisez pas de liquides inflammables ou toxiques.

N'orientez pas le jet d'eau vers autrui. Ne tenez pas la buse lorsque le système est sous pression.

Mise en marche et réglage de la pression

NOTA ! Le KJ-1350 et le KJ-1750 sont tous deux équipés de pulsateurs (Figure 5). Le KJ-1350-2 et le KJ-1750 sont aussi équipés d'un clapet de pulsation supplémentaire (Figure 7). La commande du pulsateur et celle du limiteur de pulsations doivent être à la position OFF (arrêt) avant de mettre le dégorgeoir en marche. Pour atteindre la pression maximale, ces deux commandes doivent être en position OFF (arrêt).

1. Tournez le détendeur à gauche afin de libérer la pression. Mettez l'interrupteur du dégorgeoir à la position ON (marche), puis, dans le cas des dégorgeoirs KJ-1350 et KJ-1350-2, tournez la manette du détendeur jusqu'à ce que le manomètre indique une pression maximale de 1350 psi (zone verte). Arrivé à cette pression, le dégorgeoir 1350 demande environ 14A/115V (courant alternatif).
2. Dans le cas du KJ-1750, tournez le jusqu'à ce que le manomètre indique une pression de 1750 psi (zone verte). Arrivé à cette pression, le dégorgeoir KJ-1750 demande environ 17A /115 volts (courant alternatif). (Figure 4)

NOTA ! La pression opérationnelle de l'appareil augmente lorsque la manette du détendeur est tournée à droite. Si le réseau d'alimentation utilisé ne dessert pas que le dégorgeoir, il sera peut-être nécessaire de réduire la pression de ce dernier afin d'éviter l'ouverture du coupe-circuit (voire le claquage du fusible) correspondant.



Figure 4 – Réglage du détendeur

3. Si le dégorgeoir ne se met pas sous pression :
 - Vérifiez que le robinet d'alimentation d'eau est OUVERT à fond et que le robinet d'arrivée d'eau est OUVERT.
 - Examinez le tamis de filtration à l'arrivée du dégorgeoir. Assurez-vous qu'il n'est pas colmaté.
 - Faites cycler le pulsateur du KJ-1350 ou KJ-1750 entre ON (marche) et OFF (arrêt) à plusieurs reprises avec le dégorgeoir en marche afin d'en purger l'air.
 - Faites cycler le pulsateur supplémentaire du KJ-1350-2 et du KJ-1750 entre sa position marche (ON) et arrêt (OFF) à plusieurs reprises afin d'en purger l'air.
 - Tournez la manette du détendeur à droite pour vérifier que cela augmente la pression.

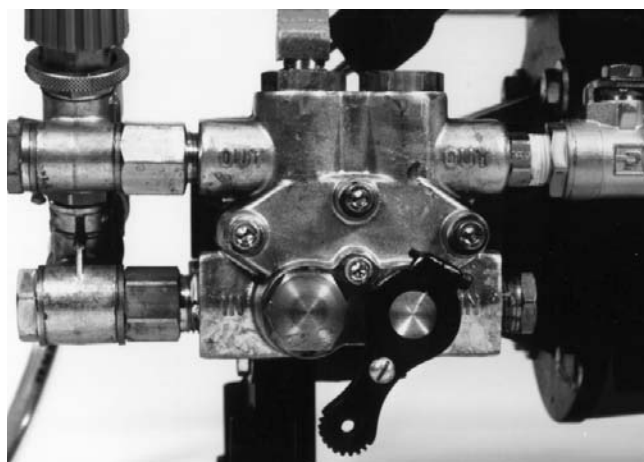


Figure 5 – Pulsateur en position "ON" (activé)

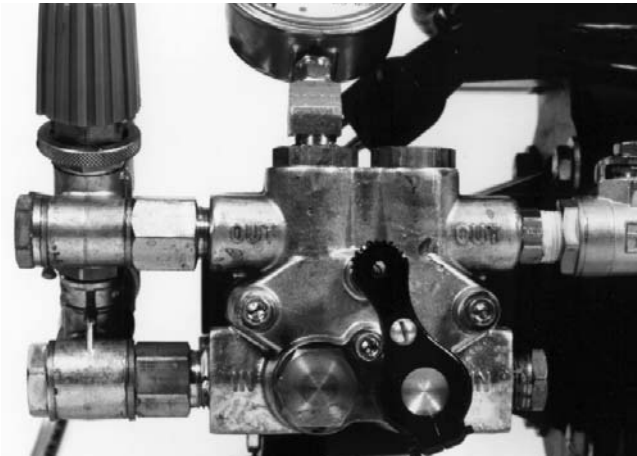


Figure 6 – Pulsateur désactivé (position OFF)

Clapets de pulsation

Les dégorgeoirs KJ-1350 et KJ-1750 sont équipés d'un système de pulsation relié à la pompe. Lorsque son levier est tourné à droite, le système de pulsation s'engage. Les dégorgeoirs KJ-1350-2 et KJ-1750 sont équipés d'un système à deux niveaux de pulsations, en plus d'un clapet de pulsations. Cela produit trois niveaux de pulsations différents :

	Pulsateur (n°1)		Clapet (n° 2)	
Normal	Arrêt (OFF)	Tous	Arrêt (OFF)	KJ-1350-2
Coudes et siphons	Arrêt (OFF)		Marche (ON)	KJ-1750
Coudes serrés	Marche (ON)		Marche (ON)	

Il est nécessaire de bien comprendre le fonctionnement du pulsateur et du clapet de pulsation pour obtenir un maximum de performances du dégorgeoir.

Curage normal

Mettez le pulsateur (n° 1) à la position OFF (arrêt). Tournez le clapet de pulsation (n° 2) du KJ-1350-2 ou du KJ-1750 à la position OFF (arrêt). Cela produira un maximum de pression, mais aucune pulsation.

1. Lorsque la buse du dégorgeoir arrive à un coude, elle aura tendance à ralentir ou s'arrêter. Le flexible pression est légèrement courbé. La poussée créée par la buse fera avancer le flexible du dégorgeoir, mais il sera également nécessaire de le pousser en le tournant pour franchir le coude.
2. Si le flexible refuse d'avancer, retirez-le légèrement, puis tournez-le d'un quart de tour ou d'un demi-tour. Ensuite, poussez le flexible en avant.
3. Si le flexible refuse toujours d'avancer, il sera éventuellement nécessaire d'activer le pulsateur.

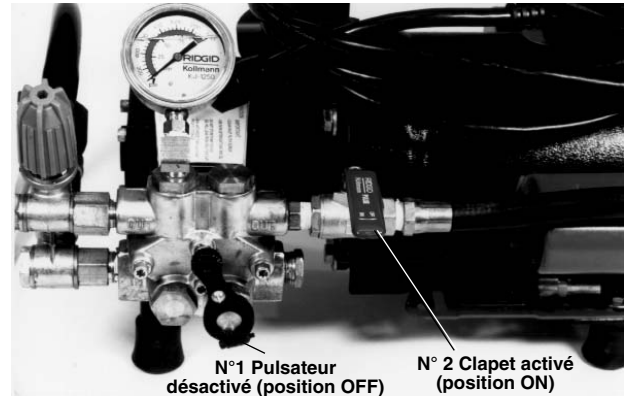


Figure 7 – Franchissement des coudes et des siphons

Utilisation du pulsateur pour franchir les coudes et les siphons

Dans certains cas, le simple fait de tourner le flexible ne permettra pas de franchir le coude ou le siphon en question. Le cas échéant, mettez le pulsateur (n° 1) en position OFF (arrêt), puis activez le clapet (n° 2) du KJ-1350-2 ou KJ-1750 en le mettant à la position ON (Figure 7). En mode de pulsation, la pompe produit de fortes pulsations et de fortes vibrations du flexible pression. Le fait de tourner le flexible en cours de mode pulsation permettra de franchir la majorité des coudes serrés et des siphons.

Franchissement des coudes serrés avec le KJ-1350-2 ou le KJ-1750

Le fait d'activer (position ON) le pulsateur (n° 1) et le clapet de pulsation (n° 2) du KJ-1350-2 ou du KJ-1750 produira un niveau de pulsations plus intense. Cela provoquera la vibration du flexible et de la buse afin de négocier les coudes serrés (Figure 8).

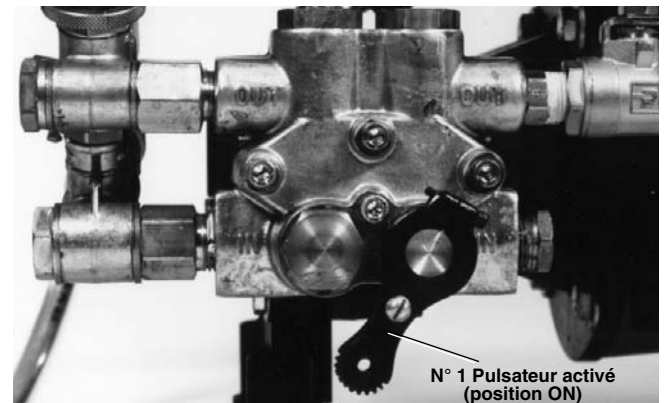


Figure 8 – Franchissement des coudes serrés

NOTA ! En mode pulsations, le manomètre du dégorgeoir indiquera une pression de 400 à 600 psi.

NOTA ! Si, à un moment quelconque au cours du processus de dégorgement, la pression indiquée oscille entre 100 et 500 psi, arrêtez le dégorgeoir et fermez l'alimentation d'eau. Ensuite, enlevez la buse et vérifiez ses orifices (ceux-ci seront probablement obstrués). Nettoyez-les à l'aide de la tringle de nettoyage fournie en passant le fil de fer de dimension appropriée à travers chaque orifice de propulsion.

Si le problème persiste, enlevez la buse, puis introduisez le flexible dans la canalisation. Examinez le tamis de filtration à l'arrivée d'eau pour vous assurer qu'il n'est pas colmaté. Démarrez l'appareil afin d'en vidanger tout air ou débris éventuels.

Une fois le coude ou le siphon franchi, ramenez le levier du pulsateur et le clapet de pulsation à la position OFF (arrêt), puis reprenez le dégorgement normal.

Rencontre des blocages

Normalement, la buse du dégorgeoir franchira les amas de graisse ou autres obstacles mous sans problème. Les blocages plus récalcitrants risquent de nécessiter la manipulation manuelle du flexible, ainsi que l'activation du pulsateur de pompe.

Une fois l'obstacle franchi, tringlez la partie de canalisation en question à plusieurs reprises avec la buse jusqu'à ce qu'elle soit complètement dégagée, puis avancez la buse sur quelques pieds supplémentaires avant de retirer le flexible.

“Nettoyage” ou “curage” sous pression des canalisations

Le dégorgeoir assure le nettoyage des canalisations en dirigeant des jets haute pression vers leurs parois, rétablissant ainsi leur profil d'origine. (Cette même pression d'eau sert à propulser la buse le long de la canalisation.) Plus le flexible est retiré lentement de la canalisation, meilleurs seront les résultats.

Avant de retirer le flexible pression de la canalisation, mettez le clapet de pulsation (n° 2) à la position OFF (arrêt). Cela produira un maximum de pression et de débit au niveau de la buse. Ensuite retirez le flexible pression lentement afin de parfaire le nettoyage des parois de la canalisation.

⚠ MISE EN GARDE Ne jamais laisser la buse tourner hors de la canalisation en cours de curage. Le flexible risque de fouetter, et le jet d'eau émis par la buse risque de pénétrer la peau pour provoquer de graves lésions.

Système de nettoyage haute pression

Les KJ-1350 et KJ-1750 peuvent également servir de machines de lavage haute pression pour les véhicules de service, les outils, le matériel de dégorgement et les câbles. Le flexible Ø 1/4" de 35 pieds du pistolet de lavage se raccorde à la sortie du dégorgeoir. Le collecteur d'injection du système permet d'ajouter des produits détergents pour un nettoyage plus efficace. Branchez le tuyau d'alimentation au collecteur, puis plongez son autre extrémité dans le récipient du produit en question.

Utilisation du nettoyeur haute pression

⚠ MISE EN GARDE Ne jamais orienter le jet vers autrui. Pour utiliser le nettoyeur haute pression, vérifiez que les deux clapets de pulsation sont en position OFF (arrêt). Réglez la pression du système avec la baguette de lavage activée. La baguette de lavage s'adapte au flexible de 35 pieds fourni ou à tout autre flexible pression d'un diamètre interne de 1/4". L'injecteur permet d'introduire du détergent dans l'eau pour assurer un nettoyage plus approfondi. Pour utiliser l'injecteur :

1. Raccordez l'injecteur à la sortie de l'appareil en retirant le flexible de raccordement à raccord rapide du dégorgeoir. Appliquez de la pâte à joints sur le filetage afin d'éviter les fuites éventuelles. Assurez-vous que la flèche du collecteur pointe dans la bonne direction (à l'opposé du dégorgeoir).
2. Rebranchez le flexible de raccordement, puis attachez le flexible de la baguette de lavage à son raccord rapide.
3. Placez une extrémité du tuyau de siphonnage dans le récipient de détergent, puis l'autre sur le collecteur de l'injecteur.
4. La buse de la baguette de lavage a deux positions. En tournant la buse, il est possible d'obtenir un jet large ou étroit au choix. Il est également possible de réduire la pression en poussant la buse en avant. Les détergents ne seront dispensés que lorsque la buse de la baguette de lavage fonctionne à basse pression.
5. En fin d'utilisation, ramenez la buse en arrière pour rétablir le jet à haute pression.

⚠ MISE EN GARDE Ne pas pulvériser de produits inflammables ou toxiques.

Accessoires

▲ MISE EN GARDE Seuls les produits RIDGID suivants doivent être utilisés avec ce dégorgeoir à jet d'eau. Toute tentative d'adaptation à ce dégorgeoir d'accessoires prévus pour d'autres types d'appareil peut s'avérer dangereuse. Utilisez exclusivement les accessoires recommandés afin d'éviter les risques d'accident grave.

Buses et flexibles haute pression

Réf. Catalogue	Modèle	Description	Ø int. flexible	Ø ext. flexible
64707	H-21	Buse de propulsion KJ-1350	Ø 1/8" (NPT) pour flexible Ø 1/8"	-
64712	H-22	Buse de pénétration KJ-1350	et Ø 1/4" NPT	-
64717	H-24	Buse orientable KJ-1350	Ø 1/8" NPT	-
82832	H-25	Buse tournante KJ-1350	Ø 1/8" NPT	-
64722	H-31	Buse de propulsion KJ-1350	Ø 1/4" (NPT) pour flexible Ø 1/2"	-
64727	H-32	Buse de pénétration KJ-1350	Ø 1/2" (NPT) pour flexible Ø 1/2"	-
64742	H-41	Buse de propulsion KJ-1750	Ø 1/8" NPT pour flexible Ø 1/8"	-
64747	H-42	Buse de pénétration KJ-1750	et Ø 1/4" NPT	-
64752	H-44	Buse orientable KJ-1750	Ø 1/8" NPT	-
82837	H-45	Buse tournante KJ-1750	Ø 1/8" NPT	-
64757	H-51	Buse de propulsion KJ-1750	Ø 1/4" NPT pour flexible Ø 1/2"	-
64762	H-52	Buse de pénétration KJ-1750	Ø 1/2" (NPT) pour flexible Ø 1/2"	-
52957	H-1825	Flexible à siphons Ø 1/8" de 25 pieds	1/8"	3/16"
53037	H-1850	Flexible à siphons Ø 1/8" de 50 pieds	1/8"	3/16"
45792	H-1425	Ø 1/4" de 25 pieds	3/16"	1/4"
47597	H-1435	Ø 1/4" de 35 pieds	3/16"	1/4"
47602	H-1450	Ø 1/4" de 50 pieds	3/16"	1/4"
49272	H-1475	Ø 1/4" de 75 pieds	3/16"	1/4"
49277	H-1400	Ø 1/4" de 100 pieds	3/16"	1/4"
64732	H-1415	Ø 1/4" de 150 pieds	3/16"	1/4"
50002	HL-1	Guide souple Ø 1/4" de 12"	1/8"	3/16"
50007	HL-2	Guide souple Ø 1/2" de 18"	1/8"	3/16"
47607	H-1250	Ø 1/2" de 50 pieds	1/4"	1/2"
47612	H-1275	Ø 1/2" de 75 pieds	1/4"	1/2"
47617	H-1200	Ø 1/2" de 100 pieds	1/4"	1/2"
51587	H-1211	Ø 1/2" de 110 pieds	1/4"	1/2"
49487	H-1215	Ø 1/2" de 150 pieds	1/4"	1/2"
51597	H-1220	Ø 1/2" de 200 pieds	1/4"	1/2"

Ø 1/8" NPT pour flexible à siphons Ø 1/4" ; Ø 1/4" NPT pour flexibles de jet Ø 1/2" et 3/8"

Accessoires

Réf. Catalogue	Modèle	Description
64697	H-10	Chariot à enrouleur H-10
62592	H-10 WH	Chariot à enrouleur H-10 avec flexible à siphons Ø 1/4" de 100 pieds
62882	H-5	Mini-enrouleur (pour chariot H-10) capacité : Ø 1/4" de 100 pieds
64737	H-30	Chariot à enrouleur H-30
62877	H-30 WH	Chariot à enrouleur H-30 avec flexible de jet Ø 1/2" de 110 pieds
62887	HP-EL	Ensemble nettoyeur haute pression pour dégorgeoirs électriques
64702	HW-EL	Baguette de lavage pour dégorgeoirs électriques
51572	H-1235	Flexible de lavage Ø 1/2" de 35 pieds
62897	H-10A	Adaptateur KJ-1750 pour chariot H-10
62892	H-30A	Adaptateur KJ-1350 pour chariot H-30
48367	H-25	Ensemble d'hivernisation
47542	H-21	Outil de nettoyage de buse
67187	H-32	Aspirateur à jet

Mini-enrouleur type H-5

L'ensemble enrouleur (avec 100 pieds de flexible pression Ø 1/4") qui fait partie du chariot H-10 est également disponible en tant qu'accessoire sous la référence H-5. L'enrouleur a une capacité maximale de 150 pieds.

L'enrouleur, équipé d'une pédale de commande, peut servir au curage à distance via les événements en toiture.

Entretien

▲ MISE EN GARDE !

Débranchez l'appareil avant toute intervention.

Tamis de filtration d'eau

Avant chaque utilisation :

- Examinez le tamis de filtration pour signes de colmatage qui risquerait de limiter le débit vers la pompe et nuire à ses performances. Si le tamis de filtration est encrassé ou colmaté, enlevez-le, nettoyez-le, puis réinstallez-le.

Orifices de buse

Avant chaque utilisation :

- Examinez les orifices de buse pour signes de colmatage. Servez-vous de la tringle à buse pour les nettoyer et déloger les débris éventuels.

Rinçage du dégorgeoir

En fin d'opération :

- Rincez le dégorgeoir et le flexible à grande eau afin d'en éliminer toutes traces de débris et de produits chimiques. N'oubliez pas d'enlever la buse du flexible afin d'assurer un débit d'eau maximal. Un rinçage systématique doit être effectué après l'utilisation de l'injecteur afin d'éliminer les détergents du système.

Hivernisation

AVERTISSEMENT Des températures sous zéro peuvent sérieusement endommager la pompe. Si le lieu de stockage risque d'être exposé au gel, remplissez le dégorgeoir avec de l'antigel type RV (sans alcool éthylique).

L'ensemble d'hivernisation (H-25) comprend de l'antigel type RV et un tuyau de remplissage qui s'attache au robinet d'arrivée.

▲ MISE EN GARDE L'EPA interdit le renvoi à l'égout de toute substance contenant de l'alcool éthylique.

Stockage de la machine

▲ MISE EN GARDE Tout matériel équipé d'un moteur à essence doit être stocké à l'intérieur ou bien protégé contre les intempéries. Rangez la machine dans un local verrouillé, hors de la portée des enfants et de ceux qui ne sont pas rompus à l'utilisation des dégorgeoirs. Cette machine peut s'avérer dangereuse si elle tombe entre les mains d'un novice.

Service après-vente et réparations

▲ MISE EN GARDE !



Les consignes d'entretien précédentes couvrent la majorité des besoins d'entretien de cette machine. Tout problème qui n'est pas couvert dans cette section doit être confié à un réparateur RIDGID agréé.

Le cas échéant, l'appareil doit être confié à un réparateur RIDGID indépendant ou renvoyé à l'usine. Toutes réparations effectuées par les centres de réparations Ridgid sont garanties contre les vices de matériel ou de main d'œuvre.

▲ MISE EN GARDE N'utilisez que des pièces de rechange identiques aux pièces d'origine lors de l'entretien de cet appareil. Le non-respect de cette consigne augmenterait les risques de choc électrique ou autres accidents graves.

Veillez adresser toutes questions éventuelles concernant l'entretien ou la réparation de cet appareil aux coordonnées suivantes :

Ridge Tool Company
 Technical Service Department
 400 Clark Street
 Elyria, Ohio 44035-6001
 Téléphone : (800) 519-3456
 E-mail: rtctechservices@emerson.com

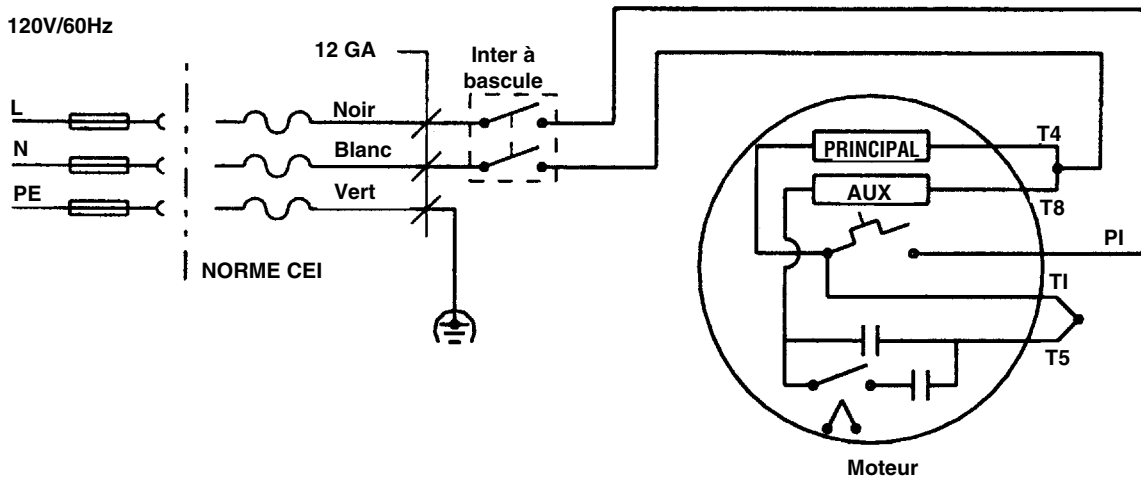
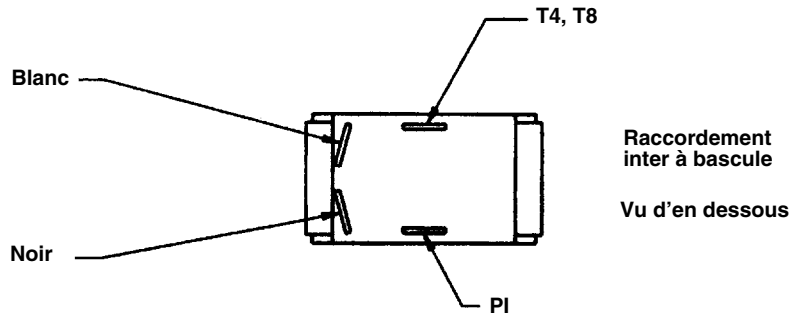
Vous pouvez obtenir les coordonnées de votre réparateur le plus proche auprès de la Ridge Tool Company en composant le (800) 519-3456 ou en visitant son site : <http://www.RIDGID.com>

Dépannage

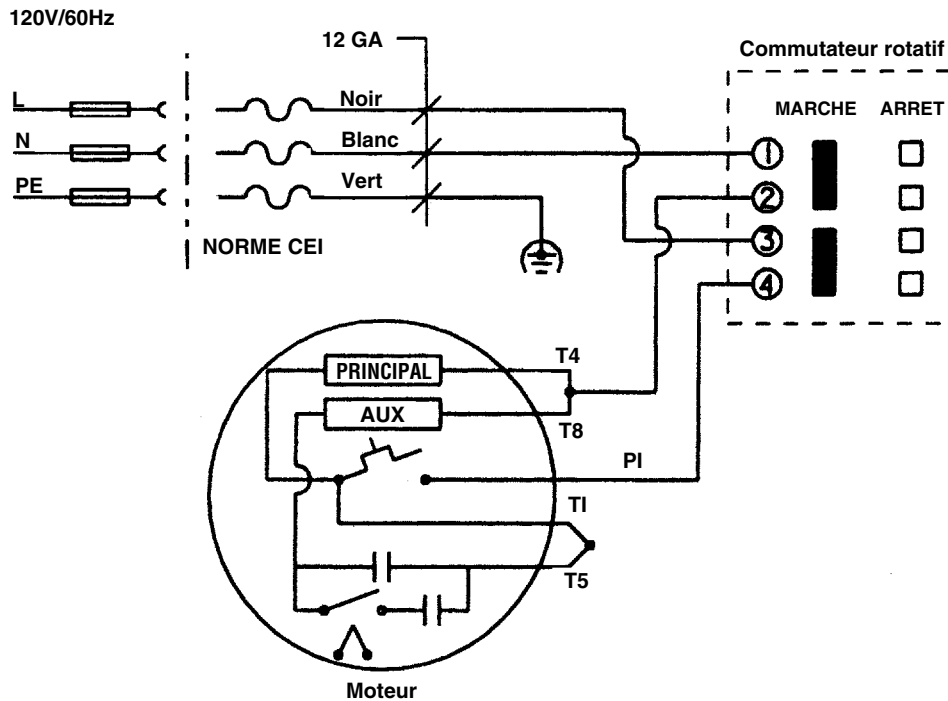
PROBLEME	CAUSE	CORRECTION
Le dégorgeoir tourne mais produit peu ou pas de pression.	Manque d'eau.	Assurez-vous que le robinet d'eau est ouvert. Assurez-vous que le robinet d'arrivée du dégorgeoir est ouvert. Assurez-vous que le tuyau d'alimentation est dégagé et qu'il est ni plissé, ni écrasé.
Le dégorgeoir n'atteint pas sa pression maximale au démarrage.	Présence d'air dans le système. Blocage des orifices de propulsion de la buse.	Enlevez la buse du flexible et faites tourner le dégorgeoir afin d'éliminer l'air ou les débris du système. Enlevez la buse et nettoyez ses orifices de propulsion à l'aide de la tringle à buses.
Le manomètre du dégorgeoir indique des fluctuations de pression de 100 à 1000 psi.	Blocage des orifices de propulsion de la buse. Présence d'air ou de débris dans le système.	Enlevez la buse et nettoyez ses orifices à l'aide de la tringle ; sélectionnez le fil de section appropriée et poussez-le complètement à travers chaque orifice de propulsion afin d'en déloger les débris. Enlevez la buse et introduisez le flexible dans la canalisation. Faites tourner le dégorgeoir afin d'en éliminer l'air ou les débris.

Schémas électriques

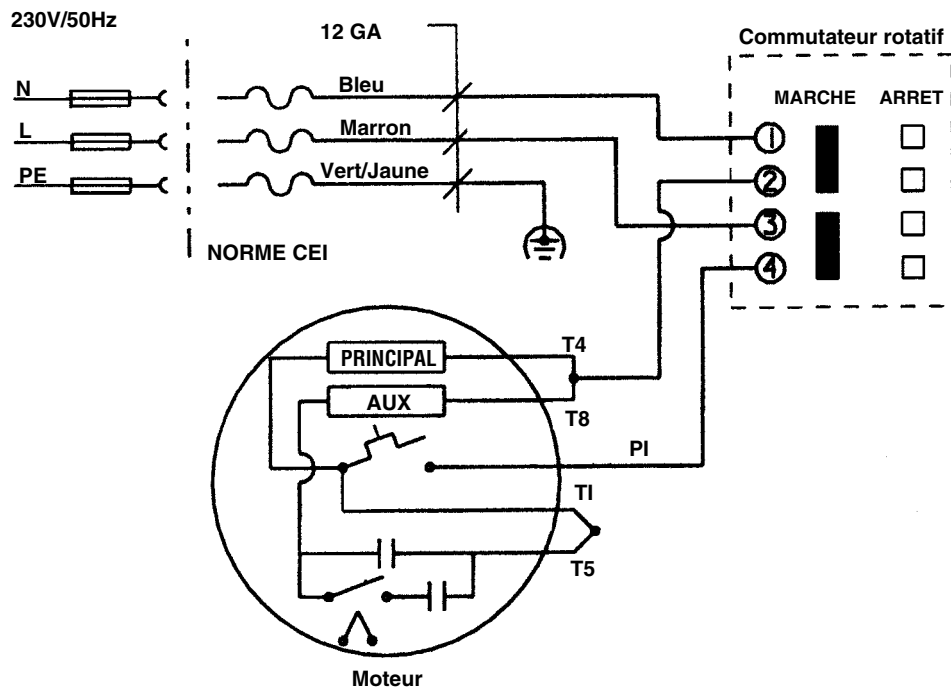
KJ-1350 en 120V



KJ-1750 en 120V



KJ-1750-Export en 230V





Limpiadoras de chorro de agua KJ-1350 y KJ-1750



Limpiadora de chorro de agua KJ-1350 y KJ-1750

A continuación apunte y retenga el número de serie de la máquina que se encuentra en su placa de características.

No. de
serie

--

Índice

Ficha para apuntar el Modelo y Número de Serie de la máquina31

Información general de seguridad

 Seguridad en la zona de trabajo33

 Seguridad eléctrica33

 Seguridad personal34

 Uso y cuidado de la máquina34

 Servicio35

Información específica de seguridad

 Seguridad de la Limpiadora de chorro35

Descripción, especificaciones y equipo estándar

 Descripción35

 Especificaciones35

 Equipo estándar36

 Toberas y mangueras36

 Accesorios36

Ensamblaje de la máquina

 Instrucciones para la bomba36

 Carros de transporte37

Revisión de la máquina37

Preparación de la máquina y de la zona de trabajo

 Tabla de selección de toberas39

 Tabla de selección de mangueras39

Instrucciones para el funcionamiento

 Puesta en marcha y regulación de la presión40

 Válvulas de control de las pulsaciones41

 Limpieza normal sin pulsaciones41

 Empleo de la modalidad “Pulsaciones” para franquear codos y sifones41

 Cómo franquear recodos difíciles41

 Al encontrar una obstrucción42

 Limpieza a presión de una tubería42

 Conjunto para el lavado a presión42

 Procedimiento para lavar a presión42

Accesorios

 Toberas y mangueras43

 Accesorios de las Limpiadoras43

 Mini-rollo de manguera H-543

Instrucciones de mantenimiento

 Tamiz del filtro de la admisión43

 Orificios de la tobera43

 Limpieza de la Limpiadora43

 Acondicionamiento para el invierno43

Almacenaje de la máquina44

Servicio y reparaciones44

Detección de averías45

Diagramas de cableado45-46

Garantía vitaliciacarátula posterior

Información general de seguridad

¡ADVERTENCIA! Lea y comprenda todas las instrucciones. Pueden ocurrir golpes eléctricos, incendios y/o lesiones corporales graves si no se siguen todas las instrucciones detalladas a continuación.

¡GUARDE ESTAS INSTRUCCIONES!

Seguridad en la zona de trabajo

- Mantenga su zona de trabajo limpia y bien alumbrada. Los bancos de trabajo desordenados y las zonas oscuras provocan accidentes.

¡RIESGO DE INCENDIOS!

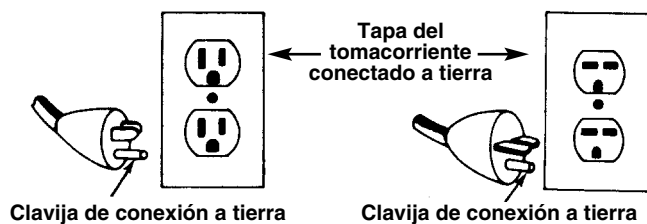
- No haga funcionar máquinas motorizadas en atmósferas explosivas, es decir, en presencia de líquidos, gases o polvos inflamables. Las máquinas autopropulsadas generan chispas que pueden encender el polvo o los gases.

- Al hacer funcionar una máquina a motor, mantenga apartados a los espectadores, niños y visitantes. Las distracciones pueden causar que pierda el control.

Seguridad eléctrica

INSTRUCCIONES PARA LA PUESTA A TIERRA:

- Las máquinas provistas de conexión a tierra deben ser enchufadas a un tomacorriente debidamente instalado y conectado a tierra de acuerdo con todos los códigos y reglamentos. Nunca le saque el enchufe, que tiene conector a tierra, ni lo modifique de manera alguna. No use ningún tipo de enchufe adaptador. Consulte con un electricista calificado si no puede determinar acaso el tomacorriente está debidamente conectado a tierra. En la eventualidad de que la máquina sufra una avería eléctrica o de otro tipo, la conexión a tierra proporciona una vía de baja resistencia para conducir la electricidad lejos del operario.



- Evite que su cuerpo haga contacto con superficies conectadas a tierra. Si su cuerpo queda conectado a tierra, aumenta el riesgo de que sufra un choque eléctrico.

INTERRUPTOR DEL CIRCUITO DE PÉRDIDA A TIERRA (GFCI):

- Estas Limpiadoras de chorro vienen provistas de un Interruptor del Circuito de Pérdida a Tierra (GFCI) incorporado en el cordón de suministro de corriente. El GFCI entrega protección adicional contra el riesgo de choques eléctricos.

- Antes de usar la máquina, pruebe el interruptor GFCI en el cordón, para asegurar que funciona correctamente. Un interruptor GFCI dañado no ofrece la protección debida contra choques eléctricos.

- No maltrate el cordón. Nunca use el cordón para sacar el enchufe del tomacorriente. Mantenga el cordón lejos de fuentes de calor, aceite, bordes cortantes o piezas movibles. Recambie los cordones dañados de inmediato. Los cordones en mal estado aumentan los riesgos de que se produzca un choque eléctrico.

CORDONES DE EXTENSIÓN:

- Sólo emplee cordones de extensión rotulados "W-A" o "W". Estos cordones han sido diseñados para su empleo al aire libre y reducen el riesgo de choques eléctricos.

- Sólo use un cordón de extensión de tres alambres equipado con un enchufe de tres clavijas para conexión a tierra, y un tomacorriente tripolar que acoja a las tres clavijas del enchufe de la máquina. Otros alargadores no conectarán la máquina a tierra y aumentarán el riesgo de que se produzca un choque eléctrico.

- No se recomienda el uso de cordones de extensión salvo que se les enchufe en cajas de circuitos o tomacorrientes ya dotados de un interruptor del circuito de pérdida a tierra. El GFCI presente en el cordón de la máquina no evitará choques eléctricos provenientes de un cordón de extensión.

- Use cordones de extensión apropiados. (Vea la tabla). Una dimensión insuficiente del conductor causará una caída excesiva del voltaje y una pérdida de potencia.

Dimensión mínima de alambre para cordones de extensión			
Amperios en la placa de características	Longitud total (en pies)		
	0-25	26-50	51-100
0-6	18 AWG	16 AWG	16 AWG
6-10	18 AWG	16 AWG	14 AWG
10-12	16 AWG	16 AWG	14 AWG
12-16	14 AWG	12 AWG	NO SE RECOMIENDA

- **No maltrate los cordones de extensión. Protéjalos del calor, aceites y de objetos afilados o punzantes.** No le dé un tirón ni jale del cordón para desenchufarlo. Los cordones dañados aumentan los riesgos de que se produzca un choque eléctrico.
- **Mantenga todas las conexiones eléctricas secas y levantadas del suelo. No toque los enchufes o máquinas con las manos mojadas.** De esta manera se evita un choque eléctrico.
- **Siempre desenchufe primero el cordón de extensión fuera del tomacorriente, antes de desenchufar la máquina del cordón de extensión.** Disminuye el riesgo de que se produzcan choques eléctricos.

Seguridad personal

- **Manténgase alerta, preste atención a lo que está haciendo y use sentido común cuando trabaje con una máquina motorizada. No la use si está cansado o se encuentra bajo la influencia de drogas, alcohol o medicamentos.** Sólo un breve descuido mientras hace funcionar una máquina autopropulsada puede resultar en lesiones personales graves.
- **Vístase adecuadamente. No lleve ropa suelta ni joyas. Contenga el cabello largo. Mantenga cabello, ropa y guantes apartados de las piezas en movimiento.** La ropa suelta, las joyas o el pelo largo pueden engancharse en las piezas móviles.
- **Evite echar a andar la máquina sin querer. Asegure que el interruptor o conmutador esté en OFF (apagado) antes de encender la máquina.** Llevar la máquina con su dedo sobre el conmutador o enchufarla cuando su conmutador se encuentra en ON (encendido), provocan accidentes.
- **Antes de poner en marcha la máquina, extraiga las llaves de ajuste o regulación.** Una llave mecánica o una llave que se ha dejado acoplada a una pieza giratoria de la máquina puede ocasionar lesiones corporales.
- **No trate de extender su cuerpo para alcanzar algo. Mantenga sus pies firmes en tierra y un buen equilibrio en todo momento.** Al mantener el equilibrio y los pies firmes, tendrá mejor control sobre la máquina en situaciones inesperadas.
- **Use equipo de seguridad. Siempre lleve protección para la vista.** Cuando las condiciones lo requieran, debe usar mascarilla para el polvo, calzado de seguridad antideslizante, casco duro o protección para los oídos.

Uso y cuidado de la máquina

- **No fuerce la máquina. Use la herramienta correcta para cada aplicación o tarea.** La herramienta correcta hará el trabajo mejor y de manera segura, a la velocidad para la cual fue diseñada.
- **No use la máquina si su interruptor de ON/OFF no la enciende o no la apaga.** Cualquier máquina que no pueda ser controlada con su interruptor es peligrosa y debe ser reparada.
- **Desenchufe el cordón de suministro del tomacorriente antes de hacerle cualquier ajuste a la máquina, cambiarle accesorios o almacenarla.** Así se evita echar a andar la máquina sin querer.
- **Almacene las máquinas que no estén en uso fuera del alcance de los niños y de otras personas sin entrenamiento.** Las máquinas son peligrosas en las manos de usuarios no capacitados.
- **Las máquinas deben ser mantenidas cuidadosamente. Mantenga las válvulas, mangueras y toberas en buenas condiciones operativas.** Las herramientas mantenidas debidamente tienen menos tendencia a fallar y lesionar al operario.
- **Verifique si las piezas móviles están desalineadas o agarrotadas, si hay piezas quebradas y si existe cualquiera otra condición que pueda afectar el buen funcionamiento de la máquina. Si detecta averías en la máquina, antes de usarla, hágala componer.** Las máquinas que no han recibido un mantenimiento adecuado provocan numerosos accidentes.
- **Solamente use los accesorios recomendados por el fabricante para esta máquina y modelo.** Los accesorios que pueden ser adecuados para una máquina pueden resultar peligrosos al usárselos en otra.
- **Inspeccione la máquina y los cordones de extensión periódicamente y cámbielos si están dañados.** Los cordones en mal estado aumentan los riesgos de que se produzca un choque eléctrico.
- **Mantenga los mangos limpios y secos, libres de aceite y grasa.** Esto permite ejercer mejor control sobre la máquina.
- **Si se hace necesario reemplazar el cordón de la máquina, recámbralo únicamente con un cordón idéntico que cuente con protección GFCI.** El interruptor GFCI es indispensable para reducir el riesgo de que se produzcan choques eléctricos.

Servicio

- **El servicio a la máquina sólo debe ser efectuado por técnicos calificados.** El servicio o mantenimiento practicado por personal de reparaciones no calificado puede resultar en lesiones.
- **Cuando se le haga servicio a una máquina, solamente use piezas de recambio originales. Siga las instrucciones en la sección de Mantenimiento de este manual.** Pueden producirse choques eléctricos o lesiones si se emplean piezas no autorizadas o no se siguen las instrucciones de mantenimiento.

Información específica de seguridad

▲ ADVERTENCIA

Lea este Manual del Operario detenidamente antes de hacer funcionar la Limpiadora de chorro de agua KJ-1350 o la KJ-1750 de RIDGID. Si no se siguen o no se comprenden las instrucciones de este manual, es posible que ocurran choques eléctricos, incendios y/o lesiones personales graves.

Si tiene cualquier pregunta, llame al Departamento de Servicio Técnico de Ridge Tool Company al (800) 519-3456.

Seguridad de la Limpiadora de Chorro

- **No haga funcionar la Limpiadora a una presión de agua superior a la especificada ni a una temperatura del agua (de admisión) de más de 140 grados Fahrenheit.** La máquina hará su trabajo mejor y en forma más segura si se la hace funcionar con agua a las presiones y temperaturas recomendadas.
- **Nunca permita que el extremo de la manguera esté girando cuando la saque de la tubería que se limpia.** La manguera podría dar latigazos o el chorro de agua a presión penetrar la piel de una persona y causar graves lesiones.
- **Use guantes y botas de goma.** Estos ofrecen protección aislante contra choques eléctricos si la máquina llegase a fallar.
- **El chorro de agua no debe apuntarse en dirección a nadie.** Su alta presión puede causar lesiones graves. Si el líquido parece haber penetrado la piel, solicite atención médica de inmediato.
- **Tenga cuidado cuando limpie desagües por los cuales se han vaciado compuestos químicos de limpieza. Proteja sus ojos y piel para evitar el contacto directo con sustancias químicas nocivas.**

Ciertos agentes químicos provocan quemaduras de gravedad.

- **La Limpiadora de chorro fue diseñada para limpiar desagües. Siga las instrucciones del Manual del Operario para saber usarla con seguridad.** Emplearla para otros usos es peligroso.
- **No pulverice con ella líquidos inflamables.** La pulverización de líquidos inflamables puede causar un incendio o una explosión.
- **No pulverice químicos tóxicos, como insecticidas o herbicidas, con esta Limpiadora.** Este tipo de sustancias pueden resultar dañinas para los operarios.
- **Nunca intente lavar la máquina con su propia varilla pulverizadora.** El chorro de alta presión puede dañar los componentes de la máquina.
- **No rocíe aparatos, instalaciones ni cableados eléctricos.** Así se reduce el riesgo de que ocurran descargas eléctricas.

Descripción, especificaciones y equipo estándar

Descripción

Las limpiadoras de desagües KJ-1350 y KJ-1750 de RIDGID son máquinas portátiles que utilizan una combinación de presión y de flujo de agua para desprender y despejar grasa, fango, sedimento y raíces que han formado atascos en tuberías de desagüe de 1¼ hasta 4 pulgadas de diámetro. Las Limpiadoras pueden transportarse a mano o montadas en un carro de dos ruedas que también lleva el rollo de la manguera.

La KJ-1350 cuenta con un motor eléctrico de 1,5 CV que genera una presión de servicio de 1350 psi, a razón de 1,4 galones por minuto. Ha sido diseñada para el uso doméstico y comercial liviano.

La KJ-1750 dispone de un motor de 2 CV capaz de generar una presión de servicio de 1750 psi a razón de 1,4 galones por minuto. Es de uso comercial e industrial pesados.

Especificaciones

KJ-1350

- Capacidad**limpia desagües de 1¼ a 4 pulgs. de diámetro y alcanza hasta 200 pies
- Motor**1½ CV a 1725 rpm, 14 amps
- Bomba**de doble émbolo
- Presión**1350 psi

Flujo.....1,4 galones por minuto

Peso (sólo la Limpiadora).....30,5 Kg. (67 lbs.)

KJ-1750

Capacidadlimpia desagües de 1¼ a 4 pulgs. de diámetro hasta 200 pies

Motor2 CV a 1725 rpm, 17 amps

Bombade doble émbolo

Presión1750 psi

Flujo.....1,4 galones por minuto

Peso (sólo la Limpiadora).....34 Kg. (75 lbs.)

Equipo estándar

Opciones de máquina (115V)

No. en el catálogo	Modelo No.	Descripción
62587	KJ-1350	KJ-1350 Limpiadora de chorro estándar con pulsaciones – Toberas H-21, H-22 y H-24 de ½ pulg. NPT – Manguera para sifón de lavabo de 25 pies x ½ pulg. – Bolsa nylon de almacenaje – Herramienta limpia-toberas
62597	KJ-1350-C	Igual a la anterior con: – Carro H-10 – Manguera para sifones, 100 pies x ¼ pulg.
63107	KJ-1350-2	Limpiadora KJ-1350 con dos niveles de pulsación – Toberas H-21, H-22 y H-24 de 1/8 pulg. NPT – Manguera para sifón de lavabo de 50 pies x ½ pulg. – Bolsa nylon de almacenaje – Herramienta limpia-toberas
63112	KJ-1350-2C	Igual a la anterior con: – Carro H-10 – Manguera para sifones, 100 pies x ¼ pulg.
62687	KJ-1750	Limpiadora de chorro KJ-1750 con dos tipos de pulsaciones – Toberas H-41, H-42 y H-44 de ½ pulg. NPT – Toberas H-51 y H-52 de ¼ pulg. NPT – Manguera para sifón de lavabo de 50 pies x ½ pulg. – Bolsa nylon de almacenaje – Herramienta limpia-toberas
62697	KJ-1750-C	Igual a la anterior con: – Carro H-30 – Manguera de chorro, 110 pies x ½ pulg.
67332	KJ-1750-SC	62687 con: – Carro H-10 – Manguera para sifones, 100 pies x ¼ pulg.

Opciones de máquina (230V)

No. en el catálogo	Modelo No.	Descripción
66447	KJ-1750-E	Limpiadora de chorro KJ-1750 con dos tipos de pulsaciones – Toberas H-41, H-42 y H-44 de ½ pulg. NPT – Manguera para sifón de lavabo de 50 pies x ½ pulg. – Bolsa nylon de almacenaje – Herramienta limpia-toberas
66442	KJ-1750-E SC	Igual a la anterior con: Carro H-10, manguera para sifón de 100 pies x ¼ pulg.

Toberas y mangueras de chorro

No. en el catálogo	Modelo No.	Descripción	Manguera	
			Ø interior	Ø exterior
64707	H-21	Tobera de propulsión KJ-1350	½ pulg. NPT le hace a manguera de ½ pulg.	–
64712	H-22	Tobera de penetración KJ-1350	½ pulg. NPT le hace a manguera de ½ pulg.	–
64717	H-24	Tobera de cabeza orientable KJ-1350	½ pulg. NPT le hace a manguera de ½ pulg.	–
82832	H-25	Tobera giratoria KJ-1350	½ pulg. NPT le hace a manguera de ½ pulg.	–
64722	H-31	Tobera de propulsión KJ-1350	½ pulg. NPT le hace a manguera de ½ pulg.	–
64727	H-32	Tobera de penetración KJ-1350	½ pulg. NPT le hace a manguera de ½ pulg.	–
64742	H-41	Tobera de propulsión KJ-1750	½ pulg. NPT le hace a manguera de ½ pulg.	–
64747	H-42	Tobera de penetración KJ-1750	½ pulg. NPT le hace a manguera de ½ pulg.	–
64752	H-44	Tobera de cabeza orientable KJ-1750	½ pulg. NPT le hace a manguera de ½ pulg.	–
82837	H-45	Tobera giratoria KJ-1750	½ pulg. NPT le hace a manguera de ½ pulg.	–
64757	H-51	Tobera de propulsión KJ-1750	½ pulg. NPT le hace a manguera de ½ pulg.	–
64762	H-52	Tobera de penetración KJ-1750	½ pulg. NPT le hace a manguera de ½ pulg.	–
52957	H-1825	Manguera para sifón de lavabo de ½" x 25 pies	1/8"	3/16"
53037	H-1850	Manguera para sifón de lavabo de ½" x 50 pies	1/8"	3/16"
45792	H-1425	¼ pulg. x 25 pies	3/16"	1/4"
47597	H-1435	¼ pulg. x 35 pies	3/16"	1/4"
47602	H-1450	¼ pulg. x 50 pies	3/16"	1/4"
49272	H-1475	¼ pulg. x 75 pies	3/16"	1/4"
49277	H-1400	¼ pulg. x 100 pies	3/16"	1/4"
64732	H-1415	¼ pulg. x 150 pies	3/16"	1/4"
50002	HL-1	Líder flexible de ¼ x 12 pulgs.	1/8"	3/16"
50007	HL-2	Líder flexible de ½ x 18 pulgs.	1/8"	3/16"
47607	H-1250	½ pulg. x 50 pies	1/4"	1/2"
47612	H-1275	½ pulg. x 75 pies	1/4"	1/2"
47617	H-1200	½ pulg. x 100 pies	1/4"	1/2"
51587	H-1211	½ pulg. x 110 pies	1/4"	1/2"
49487	H-1215	½ pulg. x 150 pies	1/4"	1/2"
51597	H-1220	½ pulg. x 200 pies	1/4"	1/2"

½" NPT le hace a manguera para sifón de ¼"; ¼" NPT le hace a manguera de chorro de ½" y ¾"

Accesorios de las Limpiadoras

No. en el catálogo	Modelo No.	Descripción
64697	H-10	Carro con rollo para la manguera H-10
62592	H-10 WH	Carro con rollo para la manguera H-10 y manguera para sifón de ¼ pulg. x 100 pies
62882	H-5	Mini-rollo de manguera (le hace al Carro H-10), ¼ pulg. x 150 pies
64737	H-30	Carro H-30 con rollo para la manguera
62877	H-30 WH	Carro H-30 con rollo para la manguera y manguera de chorro de ½" x 110 pies
62887	HP-EL	Paquete para el lavado a presión, Limpiadoras de chorro eléctricas
64702	HW-EL	Varilla de lavado, Limpiadoras de chorro eléctricas
51572	H-1235	Manguera de lavado, ½ pulg. x 35 pies
62897	H-10A	Adaptador KJ-1750 para montaje al carro H-10
62892	H-30A	Adaptador KJ-1350 para montaje al carro H-30
48367	H-25	Kit acondicionador para el invierno
47542	H-21	Herramienta limpia-toberas
67187	H-32	Jet Vac (Aspiradora con chorro)

Ensamblaje de la máquina

⚠ ADVERTENCIA

Para prevenir lesiones graves, se requiere ensamblar la Limpiadora KJ-1350 y la KJ-1750 correctamente. Deben seguirse los siguientes procedimientos:

Instrucciones para la bomba

Extraiga el tapón de la bomba e introduzca en su lugar la varilla medidora de aceite/ tapa del respiradero. Revise el nivel del aceite en la bomba (la Limpiadora de chorro viene de fábrica con aceite). Si el nivel de aceite

se encuentra bajo, llene el depósito con aceite no-detergente SAE 30W.

Carros de transporte

Carro H-10

El carro de dos ruedas acoge a las Limpiadoras KJ-1350 y KJ-1750 sin necesidad de emplear herramientas. Levante la Limpiadora y siéntela en el carro: un extremo debe engancharse al carro y en el otro extremo, el poste se introduce en el receptáculo (Figura 1). Apriete el mango en T para que la Limpiadora quede sujeta. Hay disponible un kit adaptador para montar la KJ-1750 al carro H-10.

El rollo de manguera y la manguera de chorro de ¼ pulgada (diámetro interior) y 100 pies de largo se montan debajo del mango en U del carro (Figura 1). Meta el poste del rollo en la cavidad correspondiente y apriete el mango en T.

El carro de transporte H-10 se puede alargar o acortar (para guardarlo) aflojándole los dos mangos en T ubicados en los rieles.

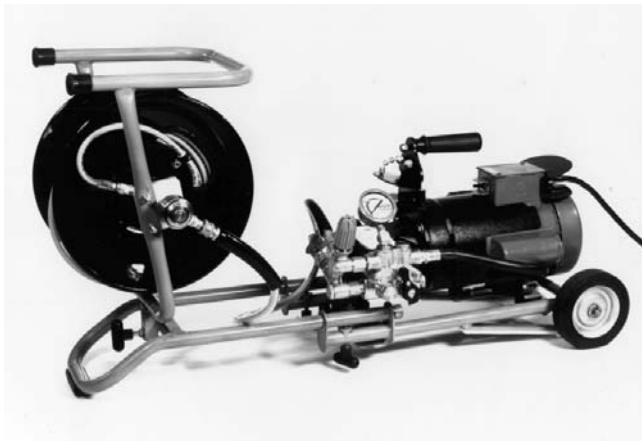


Figura 1 – Carro y rollo para la manguera H-10

⚠ ADVERTENCIA Asegure que todos los mangos en T se encuentren apretados antes de levantar o mover el carro.

Carro y rollo para la manguera H-30

El Carro y Rollo para la manguera H-30, de mayor tamaño, acoge a la KJ-1750 sin la necesidad de emplear herramientas. Levante la Limpiadora hasta la plataforma y asiéntela sobre las clavijas correspondientes. Manténgala firme mientras introduce los pasadores delanteros y traseros en la base de la Limpiadora. Hay disponible un kit adaptador para montar la KJ-1350 al carro H-30.

Revisión de la máquina

⚠ ADVERTENCIA



Revise su Limpiadora de Desagües de Chorro de Agua para evitar lesiones corporales graves. Deben efectuarse a diario los siguientes procedimientos de inspección.

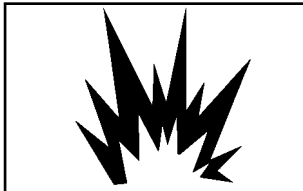
1. Revise el nivel de aceite en la bomba. Si está bajo, llene el depósito con aceite no-detergente SAE 30.
- ¡NOTA!** La Limpiadora de chorro debe almacenarse con su base hacia abajo. No la almacene jamás en forma vertical porque se saldrá el aceite del depósito.
2. Revise la máquina Limpiadora de desagües por si alguna de sus partes está quebrada, faltando, desalineada o agarrotada, y si existe cualquiera otra condición que pueda afectar el funcionamiento normal y seguro de la máquina. Si detecta algún daño, no use la Limpiadora hasta que haya sido reparada.
 3. Revise el cordón de suministro, el GFCI en el cordón y el enchufe por si están dañados. Si el enchufe ha sido modificado, si le falta la clavija a tierra o el cordón esta dañado, no haga funcionar la Limpiadora hasta que no se le haya cambiado el cordón.
- ⚠ ADVERTENCIA** Use un cordón de recambio idéntico al que trae la máquina, que tenga incorporado un interruptor de protección GFCI.
4. Revise que el tamiz del filtro de entrada no tenga desechos que pueden restringir el flujo de agua hacia la bomba y afectar el buen rendimiento de la Limpiadora. Si el tamiz del filtro esta sucio o taponado, sáquelo, límpielo y vuélvalo a colocar.
 5. Emplee los accesorios que fueron diseñados para usarse con su limpiadora y que son los requeridos para cada uso determinado. Los accesorios debidos le permiten realizar su labor en forma exitosa y segura. Los accesorios aptos en otras máquinas pueden resultar peligrosos si se usan con esta máquina.
 6. Limpie el aceite, grasa o mugre de todos los mangos y controles. Esto reduce el riesgo de que la máquina se resbale de sus manos lesionándolo.

7. Revise los orificios de las toberas y bocas. Si están obstruidos con desechos, emplee la herramienta limpiatoberas para eliminarlos.
8. Revise las mangueras por si estuvieran desgastadas o dañadas. Las mangueras dañadas deben cambiarse.

⚠ ADVERTENCIA Las mangueras rotas pueden reventarse y causar lesiones graves. Sólo emplee mangueras que soporten presiones de agua iguales o mayores a las indicadas en las especificaciones de la Limpiadora.

Machine and Work Area Set-Up

⚠ ADVERTENCIA



Para evitar lesiones graves, se requiere preparar la máquina y la zona de trabajo debidamente. Deben seguirse los siguientes procedimientos para preparar la máquina:

1. Verifique que la zona de trabajo:
 - tenga suficiente luz.
 - no tenga líquidos inflamables, vapores o polvo que puedan provocar un incendio.
 - tenga un tomacorriente eléctrico de 20 amperios y conectado a tierra.
 - tenga un camino despejado hacia el tomacorriente, sin fuentes de calor o aceite, bordes afilados o piezas movibles que puedan dañar el cordón eléctrico.
 - tenga un lugar seco para el operario y la máquina. No use la máquina si quedaría parado sobre agua.
 - tenga suministro de agua.

¡NOTA! Si la conexión se hace a un sistema de agua potable, el sistema debe estar protegido contra retorno de flujo (backflow) según todos los códigos y ordenanzas vigentes.

2. Conecte el acoplamiento de conexión rápida a la manguera de agua. Conecte la manguera de agua a la admisión en la Limpiadora y cierre la válvula de admisión del suministro (Figura 2).



Figura 2 – Conecte la manguera de suministro de agua a la Limpiadora. Cierre la válvula de admisión del suministro (se la muestra en posición CERRADA)

3. Conecte el otro extremo de la manguera de suministro de agua al grifo y abra el grifo. Cerciérese de que la manguera no esté retorcida ni doblada.

¡CUIDADO! El agua caliente mejora el rendimiento de esta Limpiadora, especialmente cuando se trata de eliminar obstrucciones de grasa. Es conveniente, sin embargo, limitar la temperatura del agua a no más de 140°F.

4. Acople una manguera al conector rápido ubicado en el extremo de la manguera de conexión de la Limpiadora (Figura 3). (Vea la Tabla de Selección de mangueras)
5. Si se va a emplear un rollo de manguera, acople la manguera de conexión con el acoplamiento correspondiente en el rollo.
6. Introduzca la manguera de la limpiadora, sin su tobera, unas 6 a 8 pulgadas en el interior del desagüe.
7. Con la Limpiadora en OFF (apagada), abra la válvula de admisión del suministro para que fluya agua por la Limpiadora y las mangueras.
8. Continué haciendo correr agua por la Limpiadora hasta purgarle todo el aire.
9. Cierre la válvula de admisión del suministro de agua.

¡NOTA! Tanto la KJ-1350 como la KJ-1750 cuentan con válvulas de seguridad para evitar flujos de retorno (backflow).

10. Acople una tobera a la manguera (vea la Tabla de Selección de mangueras). Apriétela firmemente con la mano. Si se la aprieta demasiado, se corre el riesgo de limitar el flujo de agua a través de los orificios de la tobera y disminuir el rendimiento del chorro de agua.

TABLA DE SELECCIÓN DE TOBERAS

	KJ-1350	KJ-1750	
Tamaño de la rosca	1/8" NPT	1/8" NPT	1/4" NPT
Diámetro interior de la manguera	1/8" y 3/16"	1/8" y 3/16"	1/4"
Comprende tres (3) jets de propulsión que apuntan hacia atrás para lograr un máximo de fuerza limpiadora en recorridos largos. Use esta tobera para la mayoría de los trabajos.	H-21	H-41	H-51
Emplee tres (3) jets de propulsión apuntando hacia atrás y uno dirigido hacia delante con el fin de penetrar en atascos de grasa sólida y de fango. El jet que apunta hacia delante abre un pequeño boquete en el atasco abriéndole camino a la tobera para que continúe su avance. Es igualmente eficaz durante el lavado a presión de tuberías congeladas.	H-22	H-42	H-52
Emplee la tobera orientable para pasar por sifones y recodos difíciles.	H-24	H-44	
Emplee la tobera giratoria para sacar de los desagües grasa u otros materiales obstructivos.	H-25	H-45	

TABLA DE SELECCIÓN DE MANGUERAS

Usos	Ø conducto	Ø tobera	Ø manguera	Ø int. de la manguera
Lavabos, urinarios y tuberías de poco diámetro.	1 1/4" – 2"	1/8" NPT	1/8"	1/8"
Fregaderos o lavaplatos, tinas de lavaderos, ductos o vertederos, desagües y conductos de ventilación.	2" – 3"	1/8" NPT	1/4"	3/16"
Resumideros de duchas y en el piso, tuberías laterales y sifones recolectores de grasa.	3" – 4"	1/4" NPT	1/2"	1/4"


Figura 3 – Acoplamiento de la manguera a la Limpiadora

⚠ ADVERTENCIA No debe retirarse la tobera fuera del desagüe cuando la tobera se encuentra a presión. Hágale una marca llamativa a la manguera a unos 60 cms. (24 pulgs.) desde la tobera para advertirle al usuario que la tobera se encuentra pronta a emerger del desagüe.

11. Introduzca la manguera de chorro varios pies dentro del desagüe.
12. Abra la válvula de entrada del suministro y verifique que el agua fluya libremente por la tobera.
13. Enchufe la Limpiadora al tomacorriente teniendo cuidado de extender el cordón de suministro por la senda despejada elegida con anterioridad. Si el cordón de suministro no alcanza a llegar al tomacorriente, emplee un cordón de extensión en buenas condiciones.

⚠ ADVERTENCIA Para evitar choques eléctricos e incendios eléctricos, jamás use un cordón de extensión dañado o que no cumpla con los siguientes requisitos:

- tener un enchufe de tres clavijas similar al que se muestra en la sección Seguridad Eléctrica
- tener una clasificación "W" ó "W-A" si se lo va a usar al aire libre.
- tener un grosor de alambre suficiente (12 AWG). Si el grosor del alambre es inferior al necesario, el cordón puede recalentarse, derretir el aislante del cordón o inflamar objetos cercanos.

⚠ ADVERTENCIA Para disminuir el riesgo de que ocurran choques eléctricos, mantenga todas las conexiones eléctricas secas y levantadas del suelo. No toque el enchufe de la máquina con las manos mojadas. Pruebe el GFCI incorporado en el cordón de suministro para cerciorarse de que funciona correctamente. Cuando se oprime el botón de prueba, la luz del indicador debe apagarse. Realiste el GFCI oprimiendo el botón de reposición (reset). Si la luz del indicador se prende, la máquina está lista para usarse. Si el GFCI no funciona correctamente, no use la máquina.

Instrucciones para el funcionamiento

⚠ ADVERTENCIA



Siempre use protección para los ojos para evitar que les entren mugre u otros objetos extraños. Use botas o calzado con suela de goma antideslizante.

No pulverice con esta máquina líquidos inflamables ni sustancias químicas tóxicas.

El chorro de agua no debe apuntarse nunca contra una persona. No sostenga la tobera en sus manos cuando se encuentra a presión.

Puesta en marcha y regulación de la presión

¡NOTA! Tanto la Limpiadora KJ-1350 como la KJ-1750 cuentan con un accionador de pulsaciones (Figura 5). La KJ-1350-2 y la KJ-1750 tienen, además, una válvula de pulsaciones (Figura 7). Antes de echar a andar la Limpiadora, tanto el accionador de pulsaciones como la válvula de pulsaciones deben encontrarse en la posición de OFF (apagado/cerrada). Para obtener un máximo de presión, ambos controles de pulsaciones deben de estar en OFF.

1. Gire la válvula descargadora hacia la izquierda para reducir la presión del agua. Coloque el interruptor de la Limpiadora en posición ON (encendida) y ajuste la válvula descargadora para que el manómetro indique un máximo de 1350 psi (zona verde), en el caso de las Limpiadoras KJ-1350 y KJ-1350-2. A este nivel de presión, las Limpiadoras KJ-1350 dotadas de 115Vc.a. toman aproximadamente 14 amperios (Figura 4).
2. En la KJ-1750, ajuste la válvula descargadora para que el manómetro indique 1750 psi (zona verde). A este nivel de presión, la Limpiadora KJ-1750 dotada de 115Vc.a. toma aproximadamente 14 amperios (Figura 4)

¡NOTA! La presión de funcionamiento puede aumentarse girando la válvula descargadora hacia la derecha (+). Si la Limpiadora no goza de un circuito eléctrico independiente, puede que sea necesario reducir la presión (toma de amperios) para impedir que se dispare o desconecte el cortacircuitos o se salte el fusible correspondiente.



Figura 4 – Regulación de la válvula descargadora

3. Si la Limpiadora no genera presión:
 - Asegure que la llave de suministro de agua esté completamente ABIERTA y que la válvula de admisión de la Limpiadora se encuentre en la posición OPEN (abierta).
 - Revise el tamiz del filtro en la admisión de la Limpiadora para asegurar que no tiene desechos.
 - Con la Limpiadora KJ-1350 o la KJ-1750 en marcha, gire el accionador de pulsaciones varias veces entre ON y OFF con el fin de purgar el aire atrapado dentro del sistema.
 - Gire la válvula de pulsaciones varias veces entre ON y OFF en las KJ-1350-2 y KJ-1750 con el fin de eliminar los bolsones de aire.
 - Gire la válvula descargadora hacia la derecha para asegurar que incrementa la presión.

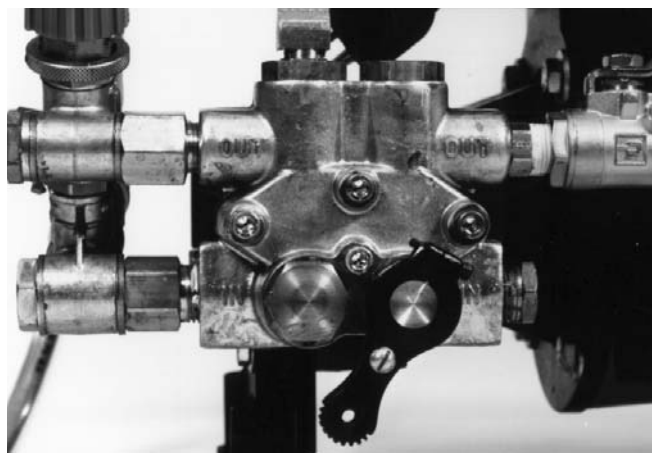


Figura 5 – Accionador de pulsaciones en la posición ON (en marcha)

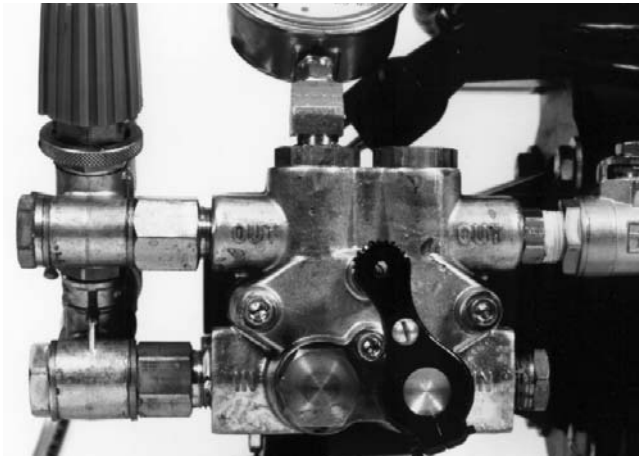


Figura 6 – Accionador de pulsaciones en la posición OFF (detenido)

Válvulas de control de las pulsaciones

Las Limpiadoras KJ-1350 y KJ-1750 tienen un accionador de pulsaciones en la bomba. Las pulsaciones se ponen en marcha girando la palanca hacia la derecha. Las KJ-1350-2 y KJ-1750 tienen dos niveles de pulsaciones como también una válvula de pulsaciones. Por lo tanto se tienen tres pulsaciones diferentes:

	Accionador (No. 1)		Válvula (No. 2)	
Normal	APAGADO	Todos	APAGADO	KJ-1350-2
Codos y sifones	APAGADO		ENCENDIDO	KJ-1750
Recodos difíciles	ENCENDIDO		ENCENDIDO	

Usted debe conocer el modo de empleo del accionador de pulsaciones y el de la válvula de pulsaciones para sacarle el máximo provecho a la Limpiadora de chorro de agua.

Limpeza normal sin pulsaciones

Gire el accionador de pulsaciones (No.1) a la posición de OFF. Gire la válvula de pulsaciones (No. 2) en las Limpiadoras KJ-1350-2 y KJ-1750 a la posición de OFF. Así se obtiene un máximo de presión de agua sin pulsaciones.

1. Cuando la tobera se encuentre con un recodo, generalmente detendrá su avance o continuará su recorrido más lentamente. La manguera es levemente curva. La fuerza de empuje que la tobera genera hacia atrás es la que hace avanzar la manguera, pero también será necesario empujarla y girarla manualmente para que logre franquear el recodo.
2. Si la manguera no avanza, jálala levemente hacia atrás y gírela un cuarto o hasta media vuelta. Luego empújela hacia delante para reanudar su avance.

3. Si aún así la manguera no avanza, es posible que se haga necesario accionar las pulsaciones.

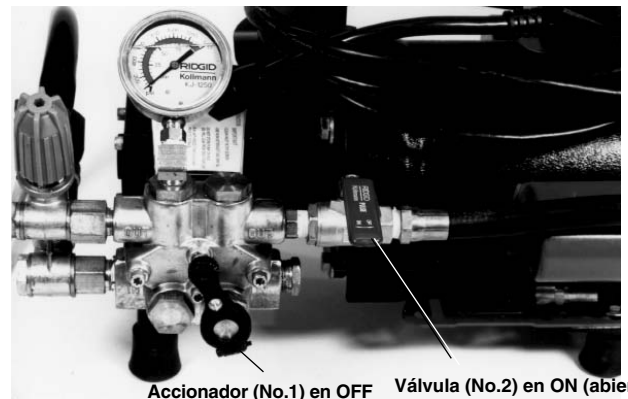


Figura 7 – Para franquear codos y sifones

Empleo de la modalidad “Pulsaciones” para franquear codos y sifones

En algunos casos, el simple giro de la manguera no será suficiente para navegar con la tobera por un codo o sifón. En estas ocasiones, gire el accionador de pulsaciones (No.1) a la posición de OFF y la válvula de pulsaciones (No. 2) -en las Limpiadoras KJ-1350-2 y KJ-1750- a la posición de ON (*Figura 7*). En la modalidad de “pulsaciones”, la bomba provoca fuertes pulsaciones y vibraciones de la manguera. Con sólo hace rotar la manguera estando la Limpiadora en la modalidad de pulsaciones, podrán atravesarse la mayoría de los codos y sifones difíciles sin mayor dificultad.

Cómo franquear recodos difíciles con las KJ-1350-2 ó KJ-1750

Se logran las más fuertes pulsaciones con las Limpiadoras KJ-1350-2 ó KJ-1750, si se colocan el accionador de pulsaciones (No.1) en la posición de OFF y la válvula de pulsaciones (No. 2) en la posición de ON. Así, la manguera y la tobera vibrarán de tal forma que podrán sortear hasta los codos y sifones más difíciles. (*Figura 8*)

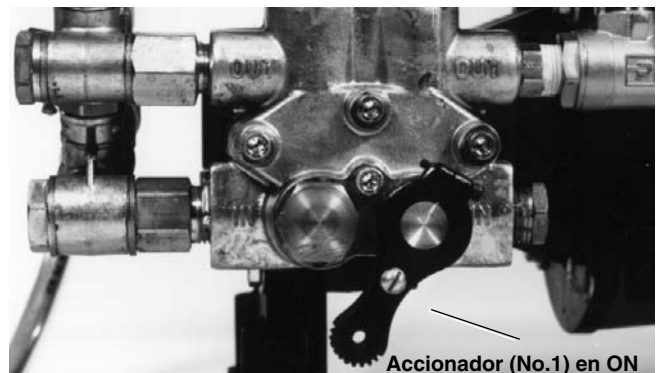


Figura 8 – Para atravesar recodos difíciles

¡NOTA! En la modalidad de pulsaciones, el manómetro de la Limpiadora de Chorro indicará aproximadamente 400 a 600 psi.

¡NOTA! Si en algún momento durante la Limpieza a chorro la presión oscila entre los 100 y 1000 psi, detenga la Limpiadora. Apague la Limpiadora y corte (OFF) el suministro de agua, desmonte la tobera y revise sus orificios. Probablemente se encuentran tapados. Límpielos con la herramienta limpiatoberas empujando el alambre del grosor correspondiente por cada orificio.

Si el problema persiste, desacople la tobera y meta la manguera en el desagüe. Revise que el tamiz del filtro de la admisión esté limpio. Vuelva a encender la Limpiadora para purgarla del aire atrapado en el sistema y de los desechos que pudieran estar impidiendo el buen funcionamiento de la máquina.

Una vez que la manguera atravesase el codo o sifón, vuelva a colocar la palanca del accionador de pulsaciones y la válvula en posición OFF. Reanude el avance del cabezal de la Limpiadora.

Al encontrar una obstrucción

Normalmente, la tobera atravesará fácilmente las obstrucciones blandas y de grasa. En el caso de las obstrucciones más resistentes, habrá que recurrir a la manipulación manual de la manguera y a las pulsaciones de la bomba.

Franqueada la obstrucción, haga avanzar y retroceder la tobera varias veces por esa sección de la tubería para limpiarla a fondo. En seguida, haga avanzar la tobera varios pies por el desagüe antes de retirar la manguera.

Limpieza a presión de una tubería

La Limpiadora limpia las paredes de un desagüe lanzándoles agua a alta presión a través de los orificios de su tobera. Esta misma presión genera el impulso que hace avanzar la manguera por el desagüe. Este lavado permite restablecer el diámetro original del interior de la tubería. Mientras más despacio se retire la manguera de la tubería, mejores serán los resultados.

Antes de extraer la manguera del desagüe, vuelva la válvula de pulsaciones (No. 2) a la posición de OFF. Con ello se aumentará al máximo la presión y el flujo del agua en la tobera. Retire la manguera lentamente para lavar las paredes interiores del desagüe.

▲ ADVERTENCIA No permita que el extremo o punta de la manguera salga del desagüe dando vueltas. La manguera pega latigazos y el chorro de agua que dispara la tobera puede penetrar en la piel y causar graves lesiones.

Conjunto para el lavado a presión

Las Limpiadoras KJ-1350 y KJ-1750 también sirven para lavar a presión vehículos comerciales, herramientas, equipos y cables empleados en la limpieza de desagües. La varilla de lavado montada a la manguera de 1/4 pulg. por 35 pies de largo va conectada a la salida de la Limpiadora de Chorro. Para una limpieza más eficaz, puede suministrarse detergente a través del inyector múltiple. Acople la manguera de suministro de agua al múltiple y sumerja el otro extremo de la manguera en un recipiente con una solución de detergente.

Procedimiento para lavar a presión

▲ ADVERTENCIA Jamás apunte el chorro de agua hacia una persona.

Cuando vaya a utilizar el dispositivo de lavado a presión, asegure que ambas válvulas para pulsaciones estén en la posición de OFF (cerradas). Active la varilla y regule la presión del sistema. La varilla de lavado le hará a la manguera de 1/4 pulg. de diámetro interior x 35 pies de largo incluida, o a cualquiera de este mismo diámetro interior. El múltiple inyector agrega detergente al flujo de agua para un lavado más efectivo. Para usar el inyector:

1. Desmonte la manguera de conexión y el conector rápido de la Limpiadora para poder acoplar el inyector a la salida de la Limpiadora. Emplee hilo sellador en las roscas para evitar fugas. Asegure que la flecha en el múltiple apunte en la dirección correcta: alejándose de la Limpiadora.
2. Vuelva a acoplar la manguera y acople la varilla de lavado al conector rápido.
3. Coloque un extremo de la manguera de trasvase dentro del recipiente con detergente y acople el otro extremo al múltiple inyector.
4. La tobera de la varilla de lavado tiene dos posiciones. Al girar la tobera, el chorro de pulverización se torna angosto o ancho. También puede dirigírsela hacia delante para obtener presión baja, o hacia atrás para presión alta. Asegure que la tobera se encuentre en la posición BACK (presión alta) cuando se inicia la operación. El detergente sólo puede suministrarse mientras la tobera de la varilla se encuentra en la posición de baja presión.
5. Después de la pulverización del detergente, mueva la tobera hacia atrás para reestablecer la presión máxima.

▲ ADVERTENCIA No pulverice líquidos inflamables o sustancias químicas tóxicas.

Accesorios

⚠ ADVERTENCIA Sólo los siguientes productos RIDGID han sido fabricados para funcionar con las Limpiadora de Desagües KJ-1350 y KJ-1750. Otros accesorios aptos para usarse con otras máquinas pueden resultar peligrosos si se usan con estas máquinas. Para evitar lesiones corporales graves, emplee únicamente los accesorios listados a continuación.

Toberas y mangueras de chorro

No. en el catálogo	Modelo No.	Descripción	Manguera	
			Ø interior	Ø exterior
64707	H-21	Tobera de propulsión KJ-1350	1/8 pulg. NPT le hace a manguera de 1/8 pulg.	-
64712	H-22	Tobera de penetración KJ-1350	1/8 pulg. NPT le hace a manguera de 1/8 pulg.	-
64717	H-24	Tobera de cabeza orientable KJ-1350	1/8 pulg. NPT le hace a manguera de 1/8 pulg.	-
82832	H-25	Tobera giratoria KJ-1350	1/8 pulg. NPT	-
64722	H-31	Tobera de propulsión KJ-1350	1/4 pulg. NPT le hace a manguera de 1/2 pulg.	-
64727	H-32	Tobera de penetración KJ-1350	1/4 pulg. NPT le hace a manguera de 1/2 pulg.	-
64742	H-41	Tobera de propulsión KJ-1750	1/8 pulg. NPT le hace a manguera de 1/8 pulg.	-
64747	H-42	Tobera de penetración KJ-1750	1/8 pulg. NPT le hace a manguera de 1/8 pulg.	-
64752	H-44	Tobera de cabeza orientable KJ-1750	1/8 pulg. NPT le hace a manguera de 1/8 pulg.	-
82837	H-45	Tobera giratoria KJ-1750	1/8 pulg. NPT	-
64757	H-51	Tobera de propulsión KJ-1750	1/4 pulg. NPT le hace a manguera de 1/2 pulg.	-
64762	H-52	Tobera de penetración KJ-1750	1/4 pulg. NPT le hace a manguera de 1/2 pulg.	-
52957	H-1825	Manguera para sifón de lavabo de 1/8" x 25 pies	1/8"	3/16"
53037	H-1850	Manguera para sifón de lavabo de 1/8" x 50 pies	1/8"	3/16"
45792	H-1425	1/4 pulg. x 25 pies	3/16"	1/4"
47597	H-1435	1/4 pulg. x 35 pies	3/16"	1/4"
47602	H-1450	1/4 pulg. x 50 pies	3/16"	1/4"
49272	H-1475	1/4 pulg. x 75 pies	3/16"	1/4"
49277	H-1400	1/4 pulg. x 100 pies	3/16"	1/4"
64732	H-1415	1/4 pulg. x 150 pies	3/16"	1/4"
50002	HL-1	Líder flexible de 1/4 x 12 pulg.	1/8"	3/16"
50007	HL-2	Líder flexible de 1/2 x 18 pulg.	1/8"	3/16"
47607	H-1250	1/2 pulg. x 50 pies	1/4"	1/2"
47612	H-1275	1/2 pulg. x 75 pies	1/4"	1/2"
47617	H-1200	1/2 pulg. x 100 pies	1/4"	1/2"
51587	H-1211	1/2 pulg. x 110 pies	1/4"	1/2"
49487	H-1215	1/2 pulg. x 150 pies	1/4"	1/2"
51597	H-1220	1/2 pulg. x 200 pies	1/4"	1/2"

1/8" NPT le hace a manguera para sifón de 1/8"; 1/4" NPT le hace a manguera de chorro de 1/2" y 3/8"

Accesorios de las Limpiadoras

No. en el catálogo	Modelo No.	Descripción
64697	H-10	Carro con rollo para la manguera H-10
62592	H-10 WH	Carro con rollo para la manguera H-10 y manguera para sifón de 1/4 pulg. x 100 pies
62882	H-5	Mini-rollo de manguera (le hace al Carro H-10), 1/4 pulg. x 150 pies
64737	H-30	Carro H-30 con rollo para la manguera
62877	H-30 WH	Carro H-30 con rollo para la manguera y manguera de chorro de 1/2" x 110 pies
62887	HP-EL	Paquete para el lavado a presión, Limpiadoras de chorro eléctricas
64702	HW-EL	Varilla de lavado, Limpiadoras de chorro eléctricas
51572	H-1235	Manguera de lavado, 1/2 pulg. x 35 pies
62897	H-10A	Adaptador KJ-1750 para montaje al carro H-10
62892	H-30A	Adaptador KJ-1350 para montaje al carro H-30
48367	H-25	Kit acondicionador para el invierno
47542	H-21	Herramienta limpia-toberas
67187	H-32	Jet Vac (Aspiradora con chorro)

Mini-rollo de manguera H-5

El rollo para la manguera y su manguera de 1/4 pulg. x 100 pies incluida con el carro H-10 se encuentra disponible como accesorio (H-5). En el rollo puede enrollarse una manguera de hasta 150 pies de largo. Con una válvula de pie, el rollo de manguera puede emplearse para lavar a distancia a través de respiraderos en techos.

Instrucciones de mantenimiento

⚠ ADVERTENCIA

Antes de efectuarle mantenimiento o regulaciones a esta máquina, asegure que se encuentra desenchufada.

Tamiz del filtro de la admisión

Antes de cada uso:

- Revise el tamiz del filtro de la admisión por si tiene desechos que puedan restringir el flujo de agua hacia la bomba y afectar su buen rendimiento. Si el tamiz del filtro está sucio u obstruido, sáquelo, límpielo y vuelva a colocarlo en su sitio.

Orificios de la tobera

Antes de cada uso:

- Revise los orificios de la tobera que empleará. Si algún agujero se encuentra obstruido, límpielo con la limpia-toberas.

Limpieza de la Limpiadora

Después de usarla:

- Haga correr agua limpia por la Limpiadora y manguera(s) para eliminar desechos y detergente. Extraiga la tobera fuera de la manguera para aumentar el flujo de agua por la manguera. Siempre debe enjuagar el inyector después de usarlo para que no le quede detergente dentro.

Acondicionamiento para el invierno

⚠ CUIDADO Las temperaturas bajo cero (centígrado) pueden causarle mucho daño a la bomba. Si la máquina quedará almacenada en un lugar donde podría congelarse, cargue la Limpiadora con un anticongelante (Anti-Freeze RV) (glicol no etilénico).

El kit de acondicionamiento para el invierno (H-25) incluye Anti-Freeze (anticongelante) y una manguera de suministro que se acopla a la válvula en la admisión.

▲ ADVERTENCIA La EPA (Agencia para la Protección del Medioambiente de los EE.UU.) prohíbe vaciar sustancias que contienen glicol etilénico por la red de alcantarillado.

Almacenaje de la máquina

▲ ADVERTENCIA Los equipos motorizados deben guardarse bajo techo o bien tapados en tiempo de lluvia. Almacene las Limpiadoras bajo llave donde no las puedan alcanzar los niños o personas inexpertas. En manos de personas sin entrenamiento, estas máquinas pueden causar graves lesiones.

Servicio y reparaciones

▲ ADVERTENCIA



Las "Instrucciones de Mantenimiento" cubren la mayor parte de los servicios que requiere esta máquina. Cualquier problema que no haya sido comentado en esta sección debe ser resuelto únicamente por un técnico de reparaciones autorizado por RIDGID.

La máquina debe llevarse a un Servicentro Autorizado Independiente RIDGID o ser devuelta a la fábrica. Todas las reparaciones efectuadas por los establecimientos de servicio Ridge están garantizadas de estar libres de defectos de material y de mano de obra.

▲ ADVERTENCIA Sólo deben usarse piezas de recambio idénticas cuando se le hace mantenimiento a esta máquina. Si no se siguen estas instrucciones, pueden producirse lesiones graves.

Si tiene cualquier pregunta relativa al servicio o reparación de esta máquina, llame o escriba a:

Ridge Tool Company
Technical Service Department
400 Clark Street
Elyria, Ohio 44035-6001
Teléfono: (800) 519-3456
E-mail: rttechservices@emerson.com

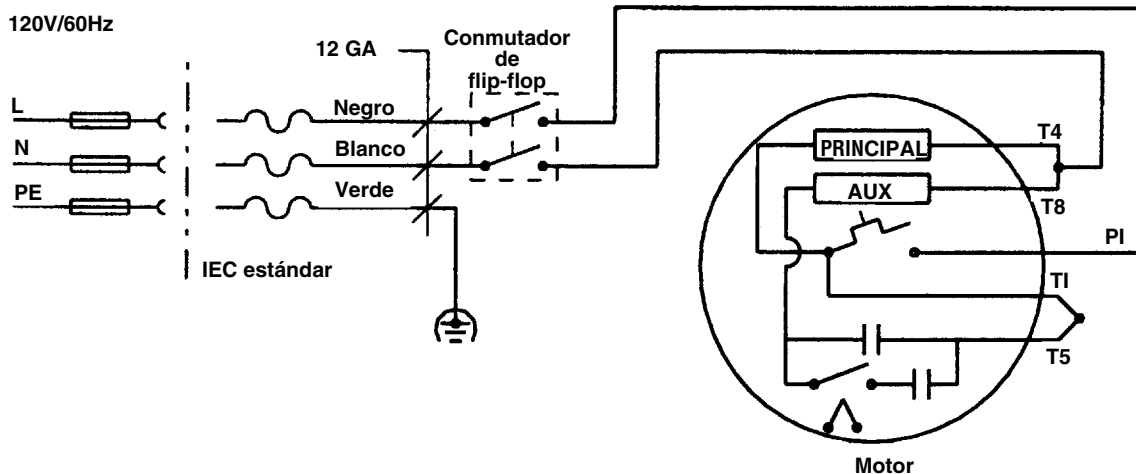
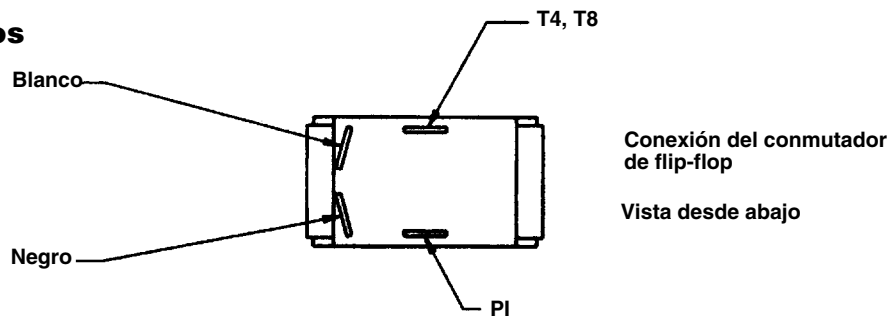
Para obtener el nombre y la dirección del Servicentro Autorizado más cercano, llame al (800) 519-3456 o visítenos en <http://www.RIDGID.com>

Detección de averías

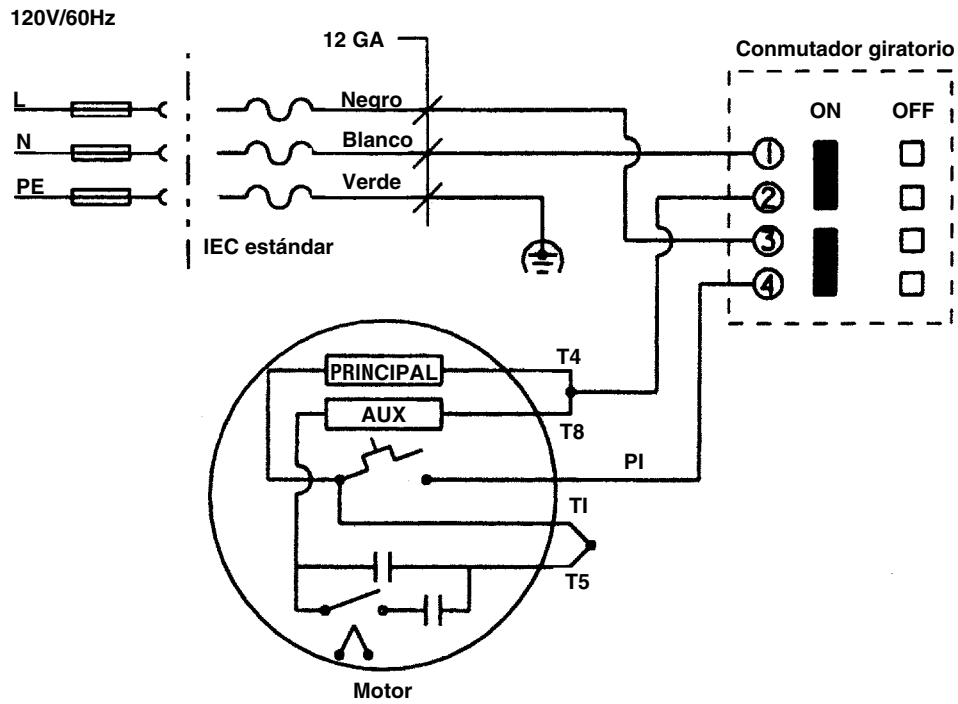
PROBLEMA	CAUSA	REMEDIO
La Limpiadora funciona pero genera poca o nada de presión.	Poca agua.	Asegure que el grifo o llave de agua esté abierto. Asegure que la válvula de admisión de agua a la Limpiadora esté abierta. Asegure que la manguera del suministro de agua tenga flujo y no esté doblada o aplastada.
Cuando se la pone en marcha, la Limpiadora no logra alcanzar su máxima presión.	Aire atrapado en el sistema. Orificios de propulsión en la tobera obstruidos.	Extraiga la tobera de la manguera y haga funcionar la Limpiadora para que elimine el aire atrapado y los desechos del sistema. Extraiga la tobera y limpie los orificios de propulsión con la limpiatoberas.
El manómetro de la Limpiadora indica presiones que fluctúan entre los 100 y 1000 psi.	Orificios de propulsión en la tobera obstruidos. Mugre o aire atrapado en el sistema.	Extraiga la tobera. Límpiela los orificios con la limpiatoberas: seleccione los alambres del grosor adecuado y empújelos a través de cada orificio de propulsión para desalojar los desechos. Extraiga la tobera e introduzca la manguera en el desagüe. Haga funcionar la Limpiadora para que elimine el aire atrapado o los desechos.

Diagramas de cableado

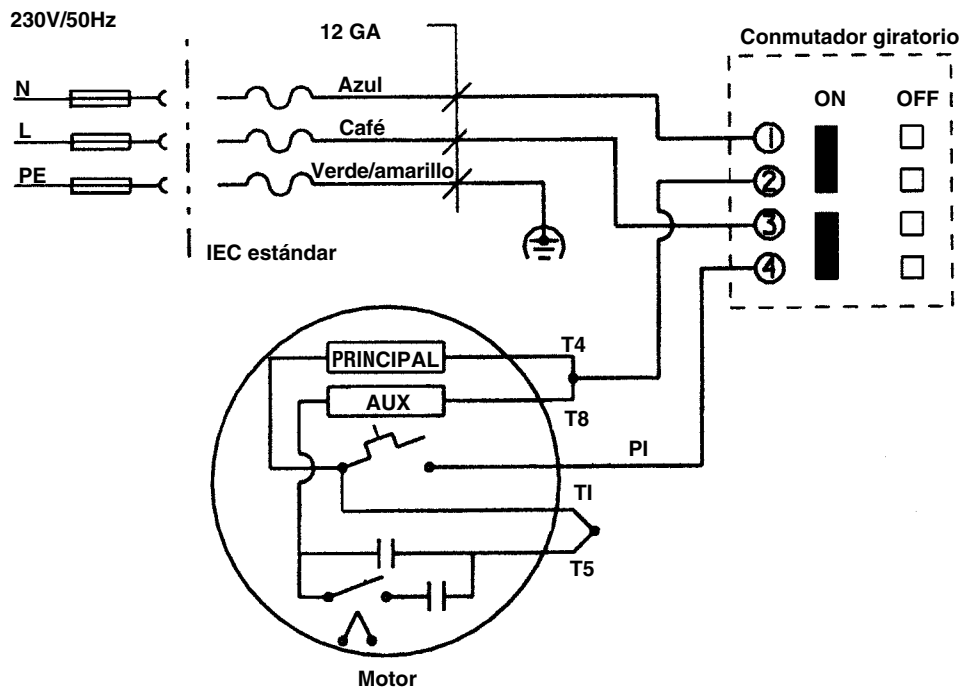
KJ-1350 —120 voltios



KJ-1750 — 120 voltios



KJ-1750 de exportación - 230 voltios



**What is covered**

RIDGID® tools are warranted to be free of defects in workmanship and material.

How long coverage lasts

This warranty lasts for the lifetime of the RIDGID® tool. Warranty coverage ends when the product becomes unusable for reasons other than defects in workmanship or material.

How you can get service

To obtain the benefit of this warranty, deliver via prepaid transportation the complete product to RIDGE TOOL COMPANY, Elyria, Ohio, or any authorized RIDGID® INDEPENDENT SERVICE CENTER. Pipe wrenches and other hand tools should be returned to the place of purchase.

What we will do to correct problems

Warranted products will be repaired or replaced, at RIDGE TOOL'S option, and returned at no charge; or, if after three attempts to repair or replace during the warranty period the product is still defective, you can elect to receive a full refund of your purchase price.

What is not covered

Failures due to misuse, abuse or normal wear and tear are not covered by this warranty. RIDGE TOOL shall not be responsible for any incidental or consequential damages.

How local law relates to the warranty

Some states do not allow the exclusion or limitation of incidental or consequential damages, so the above limitation or exclusion may not apply to you. This warranty gives you specific rights, and you may also have other rights, which vary, from state to state, province to province, or country to country.

No other express warranty applies

This FULL LIFETIME WARRANTY is the sole and exclusive warranty for RIDGID® products. No employee, agent, dealer, or other person is authorized to alter this warranty or make any other warranty on behalf of the RIDGE TOOL COMPANY.

**Ce qui est couvert**

Les outils RIDGE® sont garantis contre tous vices de matériaux et de main d'oeuvre.

Durée de couverture

Cette garantie est applicable durant la vie entière de l'outil RIDGE®. La couverture cesse dès lors que le produit devient inutilisable pour raisons autres que des vices de matériaux ou de main d'oeuvre.

Pour invoquer la garantie

Pour toutes réparations au titre de la garantie, il convient d'expédier le produit complet en port payé à la RIDGE TOOL COMPANY, Elyria, Ohio, ou bien le remettre à un réparateur RIDGID® agréé. Les clés à pipe et autres outils à main doivent être ramenés au lieu d'achat.

Ce que nous ferons pour résoudre le problème

Les produits sous garantie seront à la discrétion de RIDGE TOOL, soit réparés ou remplacés, puis réexpédiés gratuitement ; ou si, après trois tentatives de réparation ou de remplacement durant la période de validité de la garantie le produit s'avère toujours défectueux, vous aurez l'option de demander le remboursement intégral de son prix d'achat.

Ce qui n'est pas couvert

Les défaillances dues au mauvais emploi, à l'abus ou à l'usure normale ne sont pas couvertes par cette garantie. RIDGE TOOL ne sera tenue responsable d'aucuns dommages directs ou indirects.

L'influence de la législation locale sur la garantie

Puisque certaines législations locales interdisent l'exclusion des dommages directs ou indirects, il se peut que la limitation ou exclusion ci-dessus ne vous soit pas applicable. Cette garantie vous donne des droits spécifiques qui peuvent être éventuellement complétés par d'autres droits prévus par votre législation locale.

Il n'existe aucune autre garantie expresse

Cette GARANTIE PERPETUELLE INTEGRALE est la seule et unique garantie couvrant les produits RIDGID®. Aucun employé, agent, distributeur ou tiers n'est autorisé à modifier cette garantie ou à offrir une garantie supplémentaire au nom de la RIDGE TOOL COMPANY.

**Qué cubre**

Las herramientas RIDGID están garantizadas contra defectos de la mano de obra y de los materiales empleados en su fabricación.

Duración de la cobertura

Esta garantía cubre a la herramienta RIDGID durante toda su vida útil. La cobertura de la garantía caduca cuando el producto se torna inservible por razones distintas a las de defectos en la mano de obra o en los materiales.

Cómo obtener servicio

Para obtener los beneficios de esta garantía, envíe mediante porte pagado, la totalidad del producto a RIDGE TOOL COMPANY, en Elyria, Ohio, o a cualquier Servicentro Independiente RIDGID. Las llaves para tubos y demás herramientas de mano deben devolverse a la tienda donde se adquirieron.

Lo que hacemos para corregir el problema

El producto bajo garantía será reparado o reemplazado por otro, a discreción de RIDGE TOOL, y devuelto sin costo; o, si aún resulta defectuoso después de haber sido reparado o sustituido tres veces durante el período de su garantía, Ud. puede optar por recibir un reembolso por el valor total de su compra.

Lo que no está cubierto

Esta garantía no cubre fallas debido al mal uso, abuso o desgaste normal. RIDGE TOOL no se hace responsable de daño incidental o consiguiente alguno.

Relación entre la garantía y las leyes locales

Algunos estados de los EE.UU. no permiten la exclusión o restricción referente a daños incidentales o consiguientes. Por lo tanto, puede que la limitación o restricción mencionada anteriormente no rija para Ud. Esta garantía le otorga derechos específicos, y puede que, además, Ud tenga otros derechos, los cuales varían de estado a estado, provincia a provincia o país a país.

No rige ninguna otra garantía expresa

Esta GARANTIA VITALICIA es la única y exclusiva garantía para los productos RIDGID. Ningún empleado, agente, distribuidor u otra persona está autorizado para modificar esta garantía u ofrecer cualquier otra garantía en nombre de RIDGE TOOL COMPANY.

Ridge Tool Company

400 Clark Street
Elyria, Ohio 44035-6001
U.S.A.



EMERSON™
Professional Tools