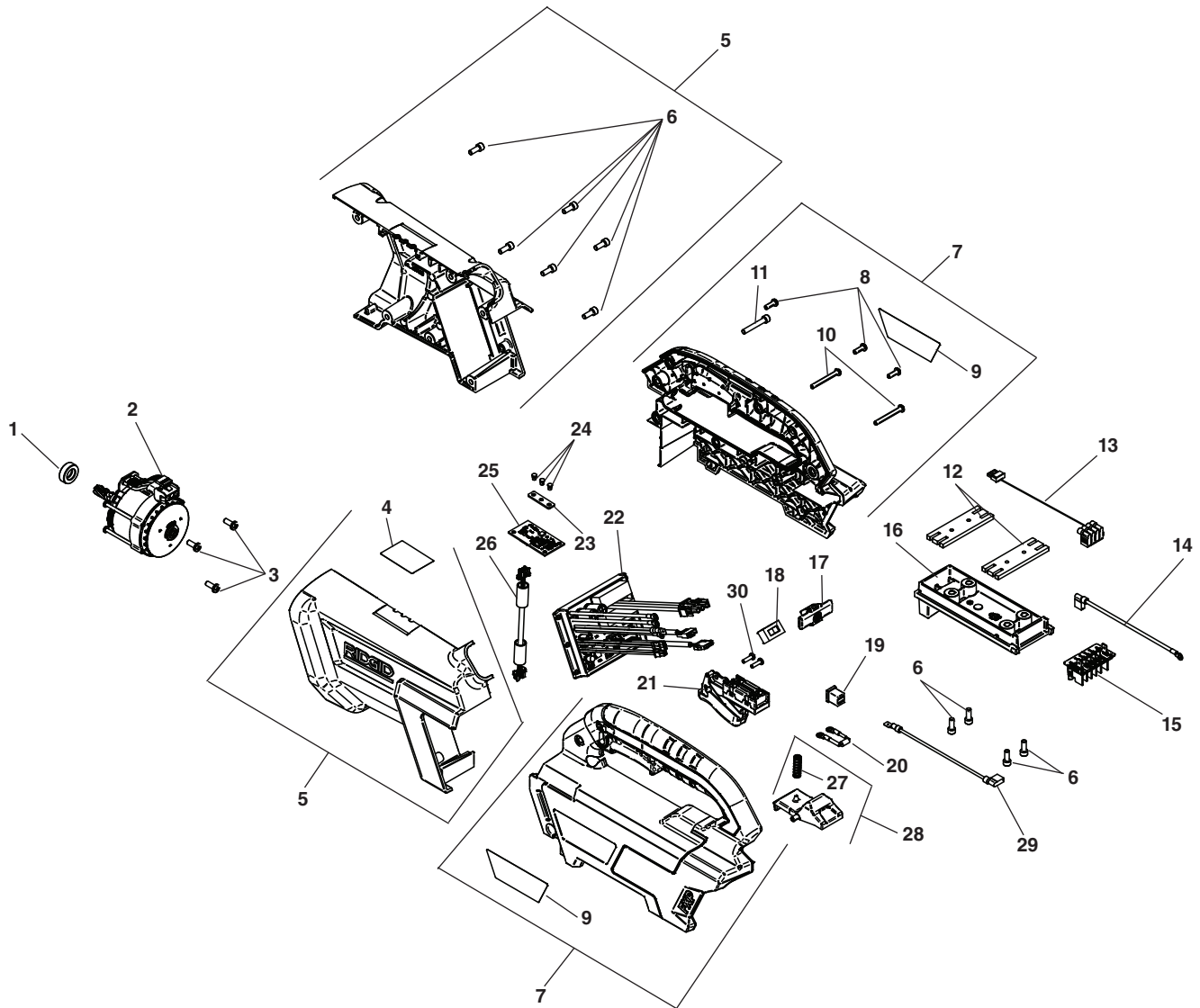


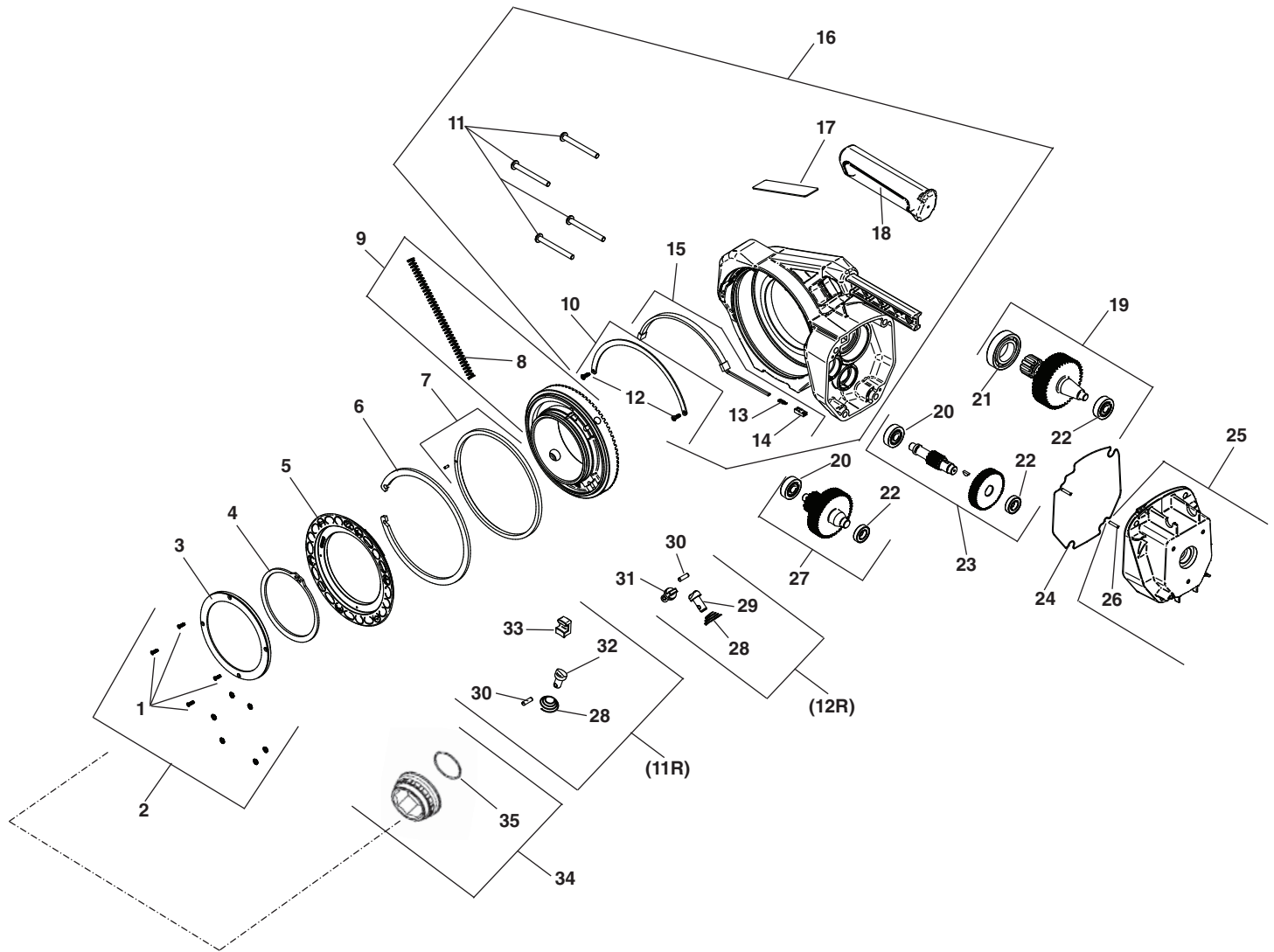
**Electrical Components**



**NOTE: Order parts by Catalog Number only.  
DO NOT order by Reference Number.**

Ref. No.	Catalog No.	Description	Ref. No.	Catalog No.	Description
1	72313	Lip Seal	17	72348	Switch Button
2	72308	760 Motor	18	72343	760 Power Drive Switch
3	72403	Motor Screw (3)	19	72428	58V 30A Fuse Cartridge
4	72433	LED Overlay Decal	20	72478	Diode Harness
5	72323	Body Housing Assembly	21	72338	Trigger Switch Assembly
6	40260	Screw (11)	22	72448	Main Control Board Assembly
7	72333	11R 760 Handle Assembly	23	72383	LED Mounting Plate
	72328	12R 760 Handle Assembly	24	72378	LED Light Lenses (3)
8	64628	#8-16 x .50 Screw (5)	25	72473	LED Board Assembly
9	72443	11R 760 Decal Set	26	72468	BLE Board Harness Assembly
	72438	12R 760 Decal Set	27	72368	Spring
10	72418	Screw (2)	28	72363	Battery Latch Assembly
11	72413	1½" X 10-24 SHC	29	72463	Terminal Fuse Harness Asm.
12	72393	Rail Mount (2)	30	72423	Screw (2)
13	72493	Battery Terminal Harness Asm.	Not Pictured		
14	72458	Switch Terminal Harness Asm.	73433		FCC Decal
15	72353	760 Terminal Assembly	73713		Auth Rep & UK Importer Decal
16	72358	Battery Rail			

**Gearhead Components**



**NOTE: Order parts by Catalog Number only.  
DO NOT order by Reference Number.**

Ref. No.	Catalog No.	Description	Ref. No.	Catalog No.	Description
1	72398	Screws 12R Version (4)	17	73533	Warning Icon Decal
2	73538	Screws w/ Washer 11R (6)	18	63323	Hand Grip
3	72528	11R Cover	19	72303	Main Gear Assembly
	71978	12R Cover	20	44760	Bearing
4	72273	Retaining Ring (12R Only)	21	76562	Bearing
5	72523	11R Drive Ring	22	72813	Bearing
	72253	12R Drive Ring	23	72293	1st Gear Assembly
6	72268	Internal Retaining Ring	24	72278	Gear Case Seal
7	72263	Bearing Ring	25	72318	Gear Case Housing
8	47053	11R Compression Spring	26	72373	Dowel Pin (2)
	72248	12R Compression Spring	27	72298	2nd Gear Assenbly
9	72513	11R FaceGear Asm (Inc. Ref. 8, 28, 30, 32, 33)	28	44915	Spring
	72258	12R FaceGear Asm (Inc. Ref. 8, 28-31)	29	72243	12R Locking Pawl
10	72288	Ring Light Retainer Asm.	30	40287	Pin (3)
11	73543	Screw (4)	31	72238	12R Threading Pawl
12	72408	Screw (2)	32	72518	11R Locking Pawl
13	72498	Terminal (2)	33	47048	11R Lock Insert (3)
14	72503	Terminal Housing	34	39187	Ratchet Ring Adapter
15	72283	LED Light Strip Asm. (Inc. 13 & 14)	35	38830	Ratchet Ring Spring
16	71973	Gear Case Assembly (Inc. Ref. #10-18)			

### Wiring Schematic

