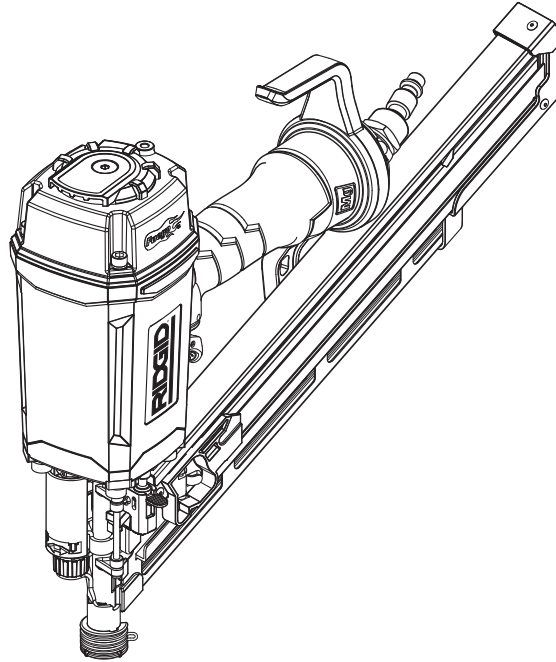




OPERATOR'S MANUAL MANUEL D'UTILISATION MANUAL DEL OPERADOR

FULL ROUND HEAD FRAMING NAILER CLOUEUSE DE CHARPENTIER À TÊTE RONDE CLAVADORA DE ENTRAMAR PARA CLAVOS DE CABEZA REDONDA NORMAL R350RHE



To register your RIDGID product, please visit:
<http://register.RIDGID.com>

Pour enregistrer votre produit de RIDGID, s'il vous plaît la visite:
<http://register.RIDGID.com>

Para registrar su producto de RIDGID, por favor visita:
<http://register.RIDGID.com>

TABLE OF CONTENTS

- General Safety Rules 2
- Specific Safety Rules 3-4
- Symbols..... 5
- Glossary of Terms..... 6
- Features..... 7
- Assembly 8
- Operation..... 8-12
- Maintenance..... 12-13
- Accessories 13
- Troubleshooting..... 14
- Figure Numbers (Illustrations)..... 15-17
- Parts Ordering and Service Back page

⚠ WARNING:

To reduce the risk of injury, the user must read and understand the operator's manual before using this product.

SAVE THIS MANUAL FOR FUTURE REFERENCE

TABLE DES MATIÈRES

- Règles de sécurité générales 2
- Règles de sécurité particulières 3-4
- Symboles..... 5
- Glossaire..... 6
- Caractéristiques 7
- Assemblage..... 8
- Utilisation..... 8-12
- Entretien 12-13
- Accessoires 13
- Dépannage 14
- Figure numéros (illustrations) 15-17
- Commande de pièces et dépannage Page arrière

⚠ AVERTISSEMENT :

Pour réduire les risques de blessures, l'utilisateur doit lire et veiller à bien comprendre le manuel d'utilisation avant d'utiliser ce produit.

CONSERVER CE MANUEL POUR FUTURE RÉFÉRENCE

ÍNDICE DE CONTENIDO


- Reglas de seguridad generales 2
- Reglas de seguridad específicas..... 3-4
- Símbolos..... 5
- Glosario de términos 6
- Características..... 7
- Armado 8
- Funcionamiento 8-12
- Mantenimiento..... 12-13
- Accesorios..... 13
- Solución de problemas..... 14
- Figura numeras (ilustraciones)... 15-17
- Pedidos de piezas y servicio Pág. posterior

⚠ ADVERTENCIA:

Para reducir el riesgo de lesiones, el usuario debe leer y comprender el manual del operador antes de usar este producto.

GUARDE ESTE MANUAL PARA FUTURAS CONSULTAS

GENERAL SAFETY RULES

 **DANGER:**
READ AND UNDERSTAND TOOL LABELS AND MANUAL. Failure to follow warnings could result in DEATH or SERIOUS INJURY.

SAVE THESE INSTRUCTIONS

WORK AREA

- **Keep your work area clean and well lit.** Cluttered benches and dark areas invite accidents.
- **Do not operate power tools in explosive atmospheres, such as in the presence of flammable liquids, gases, or dust.** Power tools create sparks which may ignite the dust or fumes.
- **Keep bystanders, children, and visitors away while operating a power tool.** Distractions can cause you to lose control.

PERSONAL SAFETY

- **Eye protection which conforms to ANSI specifications and provides protection against flying particles both from the FRONT and SIDE should ALWAYS be worn by the operator and others in the work area when loading, operating or servicing this tool.** Eye protection is required to guard against flying fasteners and debris, which could cause severe eye injury.
- **The employer and/or user must ensure that proper eye protection is worn.** We recommend Wide Vision Safety Mask for use over eyeglasses or standard safety glasses that provide protection against flying particles both from the front and side. Always use eye protection which is marked to comply with ANSI Z87.1.
- **Additional safety protection will be required in some environments.** For example, the working area may include exposure to noise level which can lead to hearing damage. The employer and user must ensure that any necessary hearing protection is provided and used by the operator and others in the work area. Some environments will require the use of head protection equipment. When required, the employer and user must ensure that head protection conforming to ANSI Z89.1-1997 is used.
- **Stay alert, watch what you are doing and use common sense when operating a power tool. Do not use tool while tired or under the influence of drugs, alcohol, or medication.** A moment of inattention while operating power tools may result in serious personal injury.
- **Dress properly. Do not wear loose clothing or jewelry. Contain long hair. Keep your hair, clothing, and gloves away from moving parts.** Loose clothes, jewelry, or long hair can be caught in moving parts.
- **Keep fingers away from trigger when not driving fasteners to avoid accidental firing.**

- **Do not overreach. Keep proper footing and balance at all times.** Proper footing and balance enables better control of the tool in unexpected situations.
- **Use safety equipment. Always wear eye protection.** Dust mask, nonskid safety shoes, hard hat, or hearing protection must be used for appropriate conditions.
- **Do not use on a ladder or unstable support.** Stable footing on a solid surface enables better control of the tool in unexpected situations.

TOOL USE AND CARE

- **Do not force tool. Use the correct tool for your application.** The correct tool will do the job better and safer at the rate for which it is designed.
- **Do not use tool if trigger does not actuate properly.** Any tool that cannot be controlled with the trigger is dangerous and must be repaired.
- **Check operation of the workpiece contact mechanism frequently.** Do not use the tool if the workpiece contact mechanism is not working correctly as accidental driving of a fastener may result. Do not interfere with the proper operation of the workpiece contact mechanism.
- **Store idle tools out of the reach of children and other untrained persons.** Tools are dangerous in the hands of untrained users.
- **Maintain tools with care.** Follow maintenance instructions. Properly maintained tools are easier to control.
- **Check for misalignment or binding of moving parts, breakage of parts, and any other condition that may affect the tool's operation. If damaged, have the tool serviced before using.** Many accidents are caused by poorly maintained tools.
- **Use only fasteners that are recommended for your model.**
- **Keep the tool and its handle dry, clean and free from oil and grease.** Always use a clean cloth when cleaning. Never use brake fluids, gasoline, petroleum-based products, or any strong solvents to clean your tool. Following this rule will reduce the risk of loss of control and deterioration of the enclosure plastic.

SERVICE

- **Tool service must be performed only by qualified repair personnel.** Service or maintenance performed by unqualified personnel may result in a risk of injury.
- **When servicing a tool, use only identical replacement parts. Follow instructions in the Maintenance section of this manual.** Use of unauthorized parts or failure to follow Maintenance instructions may create a risk of injury.

SPECIFIC SAFETY RULES

- **Know your pneumatic tool.** Read operator's manual carefully. Learn its applications and limitations, as well as the specific potential hazards related to this tool. Following this rule will reduce the risk of electric shock, fire, or serious injury.
- **Always wear eye protection with side shields marked to comply with ANSI Z87.1.** Failure to do so could result in objects being thrown into your eyes resulting in possible serious injury.
- **Protect your lungs.** Wear a face or dust mask if the operation is dusty. Following this rule will reduce the risk of serious personal injury.
- **Protect your hearing.** Wear hearing protection during extended periods of operation. Following this rule will reduce the risk of serious personal injury.
- **Make sure the hose is free of obstructions or snags.** Entangled or snarled hoses can cause loss of balance or footing and may become damaged.
- **Use the tool only for its intended use.** Do not discharge fasteners into open air.
- **Use the pneumatic tool only for the purpose for which it was designed.**
- **Do not use hardened nails in this tool.**
- **Use only the fasteners recommended for this tool.** Use of the wrong fasteners could result in poor fastener feeding, jammed fasteners, and nails leaving the tool at erratic angles. If fasteners are not feeding smoothly and properly, discontinue their use immediately. Jammed and improperly feeding fasteners could result in serious personal injury.
- **Never use this tool in a manner that could cause a fastener to be directed toward anything other than the workpiece.**
- **Do not use the tool as a hammer.**
- **Always carry the tool by the handle.** Never carry the tool by the air hose.
- **Do not alter or modify this tool from the original design or function without approval from the manufacturer.**
- **Always be aware that misuse and improper handling of this tool can cause injury to yourself and others.**
- **Never clamp or tape the trigger or workpiece contact in an actuated position.**
- **Never leave a tool unattended with the air hose attached.**
- **Do not operate this tool if it does not contain a legible warning label.**
- **Do not continue to use a tool that leaks air or does not function properly.**

OPERATION

- **Always assume that the tool contains fasteners.**
- **Do not carry the tool from place to place holding the trigger.** Accidental discharge could result.
- **Always handle the tool with care:**
 - Respect the tool as a working implement.
 - Never engage in horseplay.
 - Never pull the trigger unless nose is directed toward the work.
 - Keep others a safe distance from the tool while tool is in operation as accidental actuation may occur, possibly causing injury.
- **Choice of triggering method is important. Check manual for triggering options.**
- **Do not remove, tamper with, or otherwise cause the tool operating controls to become inoperable.**
- **Do not operate a tool if any portion of the tool operating controls is inoperable, disconnected, altered, or not working properly.**
- **Pneumatic tools are designed for single-hand use.** Do not hold the tool by the front of the magazine. Do not put hands, head, or other parts of your body near the bottom of the magazine where the nail exits the tool, as serious personal injury could result.
- **Do not point the tool toward yourself or anyone whether it contains fasteners or not.**
- **Do not actuate the tool unless you intend to drive a fastener into the workpiece.**
- **Always ensure that the workpiece contact is fully positioned above the workpiece.** Positioning the workpiece contact only partially above the workpiece could cause the fastener to miss the workpiece completely and result in serious personal injury.
- **Do not drive fasteners near edge of material.** The workpiece may split causing the fastener to ricochet, injuring you or a co-worker. Be aware that the nail may follow the grain of the wood, causing it to protrude unexpectedly from the side of the work material.
- **Keep hands and body parts clear of immediate work area.** Hold workpiece with clamps when necessary to keep hands and body out of potential harm. Be sure the workpiece is properly secured before pressing the nailer against the material. The workpiece contact may cause the work material to shift unexpectedly.

SPECIFIC SAFETY RULES

- **Keep face and body parts away from back of the tool cap when working in restricted areas.** Sudden recoil can result in impact to the body, especially when nailing into hard or dense material.
- **During normal use the tool will recoil immediately after driving a fastener. This is a normal function of the tool.** Do not attempt to prevent the recoil by holding the nailer against the work. Restriction to the recoil can result in a second fastener being driven from the nailer. Grip the handle firmly, let the tool do the work and do not place second hand on top of tool or near exhaust at any time. Failure to heed this warning can result in serious personal injury.
- **Do not drive fasteners on top of other fasteners or with the tool at an overly steep angle as this may cause deflection of fasteners which could cause injury.**

AIR SUPPLY AND CONNECTIONS

- **Do not use oxygen, combustible gases or bottled gases as a power source for this tool as tool will explode, possibly causing injury or death.**
- **Do not use with an air compressor which can potentially exceed 200 psi as tool may burst, possibly causing injury.**
- **The connector on the tool must not hold pressure when air supply is disconnected.** If an incorrect fitting is used, the tool can remain charged with air after disconnecting and thus will be able to drive a fastener even after the air line is disconnected, possibly causing injury.

- **Air Supply Hose** - Hose shall have a minimum working pressure rating equal to or greater than the pressure from the power source if a regulator fails, or 150 psi whichever is greater.
- **Always disconnect air supply:**
 - Before making adjustments
 - When servicing the tool
 - When clearing a jam
 - When tool is not in use
 - When moving to a different work area, as accidental actuation may occur, possibly causing injury.

LOADING TOOL

- **Do not load the tool with fasteners when any one of the operating controls is activated.**

When loading tool:




- **Never place a hand or any part of body in fastener discharge area of tool.**
- **Never point tool at anyone.**
- **Do not pull the trigger or depress the workpiece contact as accidental actuation may occur, possibly causing injury.**

SAVE THESE INSTRUCTIONS







- Refer to them frequently and use them to instruct others who may use this tool. If you loan someone this tool, loan them these instructions also.

SYMBOLS

The following signal words and meanings are intended to explain the levels of risk associated with this product.

SYMBOL	SIGNAL	MEANING
	DANGER:	Indicates an imminently hazardous situation, which, if not avoided, will result in death or serious injury.
	WARNING:	Indicates a potentially hazardous situation, which, if not avoided, could result in death or serious injury.
	CAUTION:	Indicates a potentially hazardous situation, which, if not avoided, may result in minor or moderate injury.
	NOTICE:	Without Safety Alert Symbol) Indicates important information not related to an injury hazard, such as a situation that may result in property damage.

Some of the following symbols may be used on this tool. Please study them and learn their meaning. Proper interpretation of these symbols will allow you to operate the tool better and safer.

SYMBOL	NAME	DESIGNATION/EXPLANATION
	Safety Alert	Indicates a potential personal injury hazard
	Read Operator's Manual	To reduce the risk of injury, user must read and understand operator's manual before using this product.
	Eye Protection	Always wear eye protection with side shields marked to comply with ANSI Z87.1.
	Eye, Ear and Head Protection	Always wear other personal protective equipment such as hearing protection and a hard hat when needed.
	Keep Hands Away	Keep hands and body away from the discharge area of the tool.
	Hot Surface	To reduce the risk of injury or damage, avoid contact with any hot surface.

CALIFORNIA PROPOSITION 65

WARNING:

This product and some dust created by power sanding, sawing, grinding, drilling, and other construction activities may contain chemicals, including lead, known to the State of California to cause cancer, birth defects, or other reproductive harm. **Wash hands after handling.**

Some examples of these chemicals are:

- lead from lead-based paints,
- crystalline silica from bricks and cement and other masonry products and,
- arsenic and chromium from chemically treated lumber

Your risk from exposure to these chemicals varies, depending on how often you do this type of work. To reduce your exposure, work in a well-ventilated area and with approved safety equipment, such as dust masks that are specially designed to filter out microscopic particles.

GLOSSARY OF TERMS

Activate (operating controls)

To move an operating control so that it is in a position that allows the tool to be actuated or that satisfies one requirement for the tool to be actuated.

Actuate (tool)

To cause movement of the tool component(s) intended to drive a fastener.

Actuation system

The use of a trigger, workpiece contact and/or other operating control, separately or in some combination or sequence, to actuate the tool.

- **Single sequential actuation**

An actuation system in which there is more than one operating control and the operating controls must be activated in a specific sequence to actuate the tool. Additional actuation can occur when a specific operating control, other than a workpiece contact, is released and re-activated.

- **Contact actuation**

An actuation system in which there is more than one operating control and the operating controls can be activated in any sequence to actuate the tool. Additional actuation can occur when any operating control is released and re-activated.

Air inlet port

In an air tool, the opening to which the compressed air supply is connected, usually by means of a threaded fitting.

Fastener

A staple, pin, brad, nail, or other fastening device which is designed and manufactured for use in the tools within the scope of this standard.

Jam

An obstruction in the feed or drive areas of the tool.

Maximum air pressure

The maximum allowable pressure of the compressed air, as specified by the manufacturer, for operating a tool.

Operating control

A control that separately, or as part of an actuation system, can cause the actuation of a tool.

Trigger

A tool operating control activated by a tool operator's fingers.

Workpiece

The intended object into which a fastener is to be driven by a tool.

Workpiece contact

An operating control element or assembly on the tool intended to be activated by the material to be fastened.

FEATURES

PRODUCT SPECIFICATIONS

Operating Pressure..... 70-120 psi
Magazine Capacity.....60-70 nails
Minimum Nail Shank Diameter..... 0.113 in.
Air Consumption..... .0.17 ft³/cycle at 100 psi

Air Inlet 1/4 in. NPT
Weighted sound impulse power level.....117.9 dBA
Emission sound pressure level.....104.9 dBA
Weight7.0 lb.

KNOW YOUR FRAMING NAILER

See Figure 1, page 15.

The safe use of this product requires an understanding of the information on the tool and in this operator's manual as well as a knowledge of the project you are attempting. Before use of this product, familiarize yourself with all operating features and safety rules.

ADJUSTABLE EXHAUST

The exhaust can be adjusted to a variety of positions depending on operator preference.

DEPTH OF DRIVE ADJUSTMENT

The tool-free depth of drive adjustment lets the operator select precise driving depth of the fastener.

DRY-FIRE LOCKOUT

The dry-fire lockout feature keeps the tool from operating when fasteners are low in the magazine to prevent missing fasteners in the nail pattern and extend motor life.

HEX GRIP™

Ergonomic handle with Hex Grip™ overmold improves comfort and grip.

IN-HANDLE AIR FILTER

The self-cleaning in-handle air filter helps keep debris out to extend the life of the tool.

INTERNAL PISTON CATCH

The internal piston catch delivers consistent driving power.

JAM-CLEARING MECHANISM

The jam-clearing mechanism gives the operator quick access to the nose of the tool to help clear infrequent jams.

MAGAZINE ADJUSTER

The magazine adjuster is designed to accommodate a wide range of fasteners. The magazine adjuster located in the magazine adjusts automatically to the full range of nail sizes.

MUFFLER

The muffler reduces noise during operation.

NO-MAR PAD

The no-mar pad prevents marring and denting when using the tool on softer woods.

QUICK-CONNECT SWIVEL CONNECTOR

The quick-connect swivel connector helps prevent hose tangles.

RAFTER HOOK

The tool can be hung from a rafter when disconnected and not in use.

SELECTABLE TRIGGER

The selectable trigger lets the operator choose between Contact Actuation for higher productivity and Single Sequential Actuation for precise fastener placement.

TOE-NAILING CLAW

The toe-nailing claw reduces slipping during angled nailing operations.

ASSEMBLY

WARNING:

Do not use this product if it is not completely assembled or if any parts appear to be missing or damaged. Use of a product that is not properly and completely assembled or with damaged or missing parts could result in serious personal injury.

WARNING:

Do not attempt to modify this product or create accessories or attachments not recommended for use with this product. Any such alteration or modification is misuse and could result in a hazardous condition leading to possible serious personal injury.

If any parts are damaged or missing, please call 1-866-539-1710 for assistance.

OPERATION

DANGER:

Do not use oxygen, combustible gases, or bottled gases as a power source for this tool. The tool will explode and cause death or serious injury.

WARNING:

Do not allow familiarity with tools to make you careless. Remember that a careless fraction of a second is sufficient to inflict severe injury.

WARNING:

Always wear eye protection with side shields marked to comply with ANSI Z87.1. Failure to do so could result in objects being thrown into your eyes resulting in possible serious injury.

WARNING:

Disconnect the tool from the air supply before leaving the work area, moving the tool to another location, or handing the tool to another person. Failure to do so could result in serious personal injury.

APPLICATIONS

You may use this tool for the purposes listed below:

- Framing
 - Floor Decking
 - Exterior Decks
 - Engineered Lumber
 - Blocking Sub-Assemblies
 - Fencing
 - Crate and Box Assembly
 - Trusses
 - Pallets and Pallet Repair
 - Subflooring
-

WARNING:

Always wear eye protection. Eye protection does not fit all operators in the same way. Make sure the eye protection chosen has side shields or provides protection from flying debris both from the front and sides.

OPERATION

PREPARING THE TOOL FOR USE

See Figure 2, page 15.

Under normal use conditions, the tool should be lubricated before connecting the tool to an air supply. Add 30 drops of oil into the swivel connector to lubricate the tool before its first use. After the initial lubrication, maintain the tool by adding oil daily. Add 10 drops once daily with minimal use, or twice daily with heavy use. Only add oil as necessary. Excess oil will collect inside the tool and will be visible around the upper and lower exhaust.

Before using the tool, check the air compressor gauge to be sure it is functioning within the proper range of 70-120 psi, and ensure that the tool is fully operational by completing the **Required Daily Checklist** as described later in this manual. An improperly functioning tool should not be used.

NOTE: Always wear personal protective equipment and observe all safety instructions when operating this tool.

NO-MAR PAD

See Figure 3, page 15.

The no-mar pad attached to the nose of the tool helps prevent marring and denting when working with softer woods.

WARNING:

Disconnect the tool from the air supply before removing or replacing the no-mar pad. Failure to do so could result in serious personal injury.

The no-mar pad for the framing nailer can be removed by pulling it open and away from the side of the toe-nailing claw. To replace the no-mar pad, fit it into place over the points of the claw.

On-board storage for the no-mar pad is located on the magazine of the tool.

ADJUSTING THE EXHAUST

See Figure 4, page 15.

The adjustable exhaust on the top cap of the tool allows the operator to direct the exhaust according to operator preference.

To adjust, turn the exhaust cap in the desired direction.

CONNECTING THE TOOL TO AN AIR SUPPLY

See Figure 5, page 15.

WARNING:

Disconnect the tool from the air supply before leaving the work area, moving the tool to another location, or handing the tool to another person. Failure to do so could result in serious personal injury.

DANGER:

Do not use oxygen, combustible gases or bottled gases as a power source for this tool. The tool will explode and cause death or serious injury.

This tool is designed to operate on clean, dry compressed air at regulated pressures between 70 and 120 psi. The correct air pressure is the lowest pressure that will do the job.

NOTE: Air pressure that is higher than 120 psi may damage the tool.

The tool and air hose must have a hose coupling that allows all pressure to be removed from the tool when the coupling is disconnected.

WARNING:

Always use a coupling that discharges all the compressed air in the tool at the time the fitting or hose coupling is disconnected. Using a coupling that does not discharge the compressed air could cause unintended operation and serious personal injury.

WARNING:

Do not climb rigging or scaffolding while carrying a tool that is connected to an air hose. Doing so could result in serious personal injury.

Connect the tool to the air supply with a 1/4 in. female quick connector. A 3/8 in. female quick connector may be used in situations where a 1/4 in. supply line is not available. For maximum tool performance, a 3/8 in. supply line and fittings are required.

WARNING:

Disconnect the tool from the air supply before leaving the work area, moving the tool to another location, or handing the tool to another person. Failure to do so could result in serious personal injury.

LOADING THE TOOL WITH NAILS

See Figures 6 - 7, page 15.

WARNING:

The tool's driving mechanism may cycle when the tool is first connected to the air supply. Always connect the tool to a pressurized air supply before loading nails to prevent injury from unintended cycling. Always make sure the tool's magazine is empty at the beginning of each work session, before connecting to an air supply.

OPERATION

- Connect the tool to the air supply.
- With the nose of the tool pointed away from you, feed a strip of nails into the magazine. Be sure the nails are pointed downward and at the angle shown.

WARNING:

Keep the tool pointed away from yourself and others when loading nails. Failure to do so could result in possible serious personal injury.

-
- Slide the pusher all the way to the rear of the magazine. Release the pusher and allow it to push the nails up to the driving mechanism. The pusher will stop when it rests against the end of the nail strip.

NOTE: Do not allow the pusher to snap back into place.

WARNING:

Use only the nails recommended for use with this tool (refer to the Fastener Guide). The use of any other nails can result in tool malfunction, leading to serious injuries.

WARNING:

Never load nails with the workpiece contact or trigger activated. Doing so could result in possible serious personal injury.

WARNING:

Do not use nails with a shank smaller than 0.113 in. diameter. Doing so may cause nails to exit the tool prematurely through the guide track. Do not use hardened nails with pneumatic tools. This could lead to excessive wear of the guide body and allow nails to exit the back of the guide body, leading to serious personal injury.

USING THE SELECTABLE TRIGGER

See Figures 8 - 9, page 16.

WARNING:

Never wedge or hold back the workpiece contact mechanism during operation of the tool. Doing so could result in possible serious injury.

This tool is shipped from the factory with a selectable trigger set in the **Single Sequential Actuation** mode. The selectable trigger can also be set for **Contact Actuation** mode.

SINGLE SEQUENTIAL ACTUATION MODE

Single sequential actuation provides the most accurate fastener placement.

- Disconnect the tool from the air supply.
- Push the actuation mode selector to the single sequential actuation mode (**T**).

WARNING:

The nailer will not function properly if the selector is not pushed all the way to either the single sequential actuation mode (**T**) or contact actuation mode (**TTT**). Always assure the selector is seated properly to avoid an unexpected fastener discharge and possible serious personal injury.

-
- Reconnect the tool to the air supply.
 - Grip the tool firmly to maintain control. Position the nose of the tool onto the work surface.
 - Push the tool against the work surface to depress the workpiece contact.
 - Squeeze the trigger to drive a fastener.
 - Allow the tool to recoil away from the work surface as the fastener is driven.
 - Always remove your finger from the trigger when the desired number of nails has been driven.

CONTACT ACTUATION MODE

Contact actuation allows very fast repetitive fastener placement.

- Disconnect the tool from the air supply.
- Push the actuation mode selector to the contact actuation mode (**TTT**).
- Reconnect the tool to the air supply.
- Grip the tool firmly to maintain control.
- Squeeze and hold the trigger. Push the tool against the work surface to depress the workpiece contact and drive a fastener.
- Allow the tool to recoil away from the work surface as the fastener is driven.
- Always remove your finger from the trigger when the desired number of nails has been driven.

NOTE: In Contact Actuation Mode, the tool may also be operated by depressing the workpiece contact against the surface and squeezing the trigger.

OPERATION

WARNING:

During normal use the tool will recoil immediately after driving a fastener. This is a normal function of the tool. Do not attempt to prevent the recoil by holding the nailer against the work. Restriction to the recoil can result in a second fastener being driven from the nailer. Grip the handle firmly, let the tool do the work, and do not place second hand on top of tool or near exhaust at any time. Failure to heed this warning can result in serious personal injury.

DRY-FIRE LOCKOUT

When the magazine is almost empty of nails, the dry-fire lockout feature will not allow continued operation.

To resume operation, reload the tool with nails.

SETTING THE AIR PRESSURE

The amount of air pressure required will depend on the size of the nail and the workpiece material.

Begin testing the depth of drive by driving a test nail into the same type of workpiece material used for the actual job.

Drive a test nail with the air pressure set at 90-95 psi. Raise or lower the air pressure to find the lowest setting that will perform the job with consistent results.

It may be possible to achieve the desired depth with air pressure adjustments alone. If finer adjustments are needed, use the drive depth adjustment on the tool.

DRIVE DEPTH ADJUSTMENT

See Figure 10, page 16.

The driving depth of the nail may be adjusted. It is advisable to test the depth on a scrap workpiece to determine the required depth for the application.

To determine depth of drive, first adjust the air pressure and drive a test nail. To achieve the desired depth, use the drive depth adjustment on the tool.

- Disconnect the tool from the air supply.
- Turn the depth selector left or right to change the driving depth.
- Reconnect the tool to the air supply.
- Drive a test nail after each adjustment until the desired depth is set.

DRIVING NAILS AT AN ANGLE

See Figure 11, page 16.

When driving nails at an angle, make sure that the tool is pointed away from yourself and others.

When driving nails at an angle, make sure that the tool is positioned correctly. Driving at an angle that is too steep may:

- cause the nail to miss the workpiece
 - cause the nail to ricochet
 - cause the workpiece to splinter, causing the nail to come back toward the operator.
-

WARNING:

Never drive a nail at an angle by tilting the tool forward. This could lead to the fastener missing the work surface or bouncing off the work surface, leading to serious injury.

WARNING:

Disconnect the tool from the air supply before removing nails or clearing a jammed fastener. Failure to do so could result in serious personal injury.

REMOVING NAILS FROM THE TOOL

See Figure 12, page 16.

- Disconnect the tool from the air supply.
- To remove a strip of nails from the tool, press the release button on the pusher. When released, the pusher will slide forward.
NOTE: Always keep fingers clear of nail track of magazine to prevent injury from unintended release of the pusher.
- Press down on the nail stop tab near the end of the magazine and slide the nails over the tab.
- Remove the nail strip from the tool.

CLEARING A JAMMED FASTENER

See Figures 13 - 15, page 17.

WARNING:

Disconnect the tool from the air supply before clearing a jammed fastener. Failure to do so could result in serious personal injury.

If a nail or fastener becomes jammed in the tool, disconnect the air hose and keep the tool pointed away from you while clearing the jam.

OPERATION

- Disconnect the tool from the air supply.
- Remove fasteners from the tool.
- To gain access to the jammed nail or fastener, unlock the jam-clearing mechanism by pushing the latch toward the nose of the tool and allowing it to flip open.
- Remove the bent nail, using needle-nose pliers if necessary.
- After the nail or fastener has been removed, close the jam-clearing mechanism and secure it in place.

NOTE: The jam-clearing mechanism should always be closed when operating this tool.

If the jam is severe or if the nail is difficult to remove:

- Insert a #2 Phillips screwdriver into the driving mechanism.
- Tap the screwdriver gently with a hammer. The inserted screwdriver should push the driver blade back, freeing the nail jam.
- After the nail or fastener has been removed, close the jam-clearing mechanism and secure it in place.

NOTE: The jam-clearing mechanism should always be closed when operating this tool.

MAINTENANCE

WARNING:

When servicing use only identical RIDGID replacement parts. Use of any other parts may create a hazard or cause product damage.

WARNING:

Always wear eye protection with side shields marked to comply with ANSI Z87.1. Failure to do so could result in objects being thrown into your eyes resulting in possible serious injury.

WARNING:

Disconnect the tool from the air supply before performing maintenance. Failure to do so could result in serious personal injury.

GENERAL MAINTENANCE

Avoid using solvents when cleaning plastic parts. Most plastics are susceptible to damage from various types of commercial solvents and may be damaged by their use. Use clean cloths to remove dirt, dust, oil, grease, etc.

WARNING:

Do not at any time let brake fluids, gasoline, petroleum-based products, penetrating oils, etc., come in contact with plastic parts. Chemicals can damage, weaken or destroy plastic which may result in serious personal injury.

LUBRICATION

Frequent, but not excessive, lubrication is required for best performance. Oil for pneumatic fastening tools added through the air line connection will lubricate the internal parts. Do not use detergent oil or additives as these oils will cause accelerated wear to the seals and bumpers in the tool, resulting in poor tool performance and frequent tool maintenance.

COLD WEATHER OPERATION

For cold weather operation, near and below freezing, the moisture in the air line may freeze and prevent tool operation. We recommend the use of air tool oil or permanent antifreeze (ethylene glycol) as a cold weather oil.

NOTICE:

Do not store tools in a cold weather environment to prevent frost or ice formation on the tools' operating valves and mechanisms that could cause tool failure.

NOTE: Some commercial air line drying liquids are harmful to "O" rings and seals. Do not use these low temperature air dryers without checking compatibility.

AIR SUPPLY PRESSURE AND VOLUME

Air volume is as important as air pressure. The air volume supplied to the tool may be inadequate because of undersize fittings and hoses, or from the effects of dirt and water in the system. Restricted air flow will prevent the tool from receiving an adequate volume of air, even though the pressure reading is high. The results will be a slow operation or reduced driving power. Before evaluating tool problems for these symptoms, trace the air supply from the tool to the supply source for restrictive connectors, low points containing water and anything else that would prevent full volume flow of air to the tool.

MAINTENANCE

REQUIRED DAILY CHECKLIST

See Figures 8 and 9, page 16.

- Disconnect the air supply from the tool and remove all fasteners.
- Check all screws, nuts, bolts, and pins on the tool. If any of these are loose, they must be tightened with the appropriate size wrench.
- Press the workpiece contact against a workpiece to ensure that it moves smoothly.
- With the workpiece contact depressed, pull the trigger. The trigger should move smoothly, without binding.
- Select the single sequential actuation mode (T).
- While the tool is not loaded, connect the appropriate air supply (at 70 psi) to the tool.
- Begin inspection:
 - Without pulling the trigger, press the workpiece contact against a workpiece several times. The tool must not actuate.
 - With the workpiece contact not engaged on the workpiece, point the tool down and away and pull the trigger several times. Hold the trigger in this position for a minimum of 5 seconds. The tool must not actuate.
- Load fasteners, then press the workpiece contact firmly against the workpiece and pull the trigger. The tool must actuate.
- With the workpiece contact still depressed, release the trigger. The driver must return to its up position.
- Disconnect the air supply from the tool and remove all fasteners.
- Select the contact actuation mode (TTT).
- Reconnect the tool to the air supply.
- Begin inspection:
 - With the workpiece contact not engaged on the workpiece, point the tool down and away. Pull the trigger. The tool must not actuate.
 - Load fasteners, then fully depress the trigger and push the workpiece contact against a workpiece. The tool must actuate.
- Disconnect the air supply from the tool and remove all fasteners.
- If the tool successfully meets all the requirements in this checklist, it is ready for use. Set the trigger on the tool to operate in the manner that best fits your application.
- Set the depth of drive according to the **Drive Depth Adjustment** section in this manual.
- Connect the tool to the air supply and load the proper fasteners for the desired application. Repeat this checklist before using the tool each day, or if the tool is dropped or damaged in any way.

ACCESSORIES

To order parts and maintenance kits, call 1-866-539-1710.

Driver Maintenance Kit	079005004702
Overhaul Kit.....	079005004701
Oil and Wrench Kit.....	079005004705

WARNING:

Current attachments and accessories available for use with this tool are listed above. Do not use any attachments or accessories not recommended by the manufacturer of this tool. The use of attachments or accessories not recommended can result in serious personal injury.

TROUBLESHOOTING

PROBLEM	POSSIBLE CAUSE	SOLUTION
Air leak near the top of the tool or in the trigger area	Inadequate lubrication Loose screws Worn or damaged O-rings or seals	Lubricate tool Tighten screws Install Overhaul Kit
Air leak near the bottom of the tool	Inadequate lubrication Loose screws Worn or damaged O-rings or bumper	Lubricate tool Tighten screws Install Overhaul Kit
Tool does nothing or operates sluggishly	Inadequate air supply Inadequate lubrication Worn or damaged O-rings or bumper	Verify adequate air supply Lubricate tool Install Overhaul Kit
Tool jams frequently	Incorrect fasteners Damaged fasteners Loose magazine Dirty magazine Worn or damaged driver	Verify that fasteners are the correct size Replace fasteners Tighten screws Clean magazine Install Driver Maintenance Kit

NOTE: FIGURES (ILLUSTRATIONS) START ON PAGE 15 AFTER FRENCH AND SPANISH LANGUAGE SECTIONS.

This product has a 90-Day Satisfaction Guarantee Policy, as well as a Three-year Limited Warranty.

For Warranty and Policy details, please go to www.RIDGID.com or call (toll free) 1-866-539-1710.

RÈGLES DE SÉCURITÉ GÉNÉRALES



DANGER :

LIRE ET VEILLER À BIEN COMPRENDRE LES AUTOCOLLANTS APPOSÉS SUR L'OUTIL ET LE MANUEL. Le non respect de cet avertissement pourrait entraîner des BLESSURES GRAVES ou MORTELLES.

CONSERVER CES INSTRUCTIONS

LIEU DE TRAVAIL

- **Garder le lieu de travail propre et bien éclairé.** Les établis encombrés et les endroits sombres sont propices aux accidents.
- **Ne pas utiliser d'outils électriques dans des atmosphères explosives, par exemple en présence de liquides, gaz ou poussières inflammables.** Les outils électriques produisent des étincelles risquant d'enflammer les poussières ou vapeurs.
- **Garder les badauds, enfants et visiteurs à l'écart pendant l'utilisation d'un outil électrique.** Les distractions peuvent causer une perte de contrôle.

SÉCURITÉ PERSONNELLE

- **Lors du chargement, de l'utilisation ou de l'entretien de cet outil, l'opérateur et les personnes se trouvant sur le lieu de travail doivent TOUJOURS porter un dispositif oculaire à protection FRONTALE et LATÉRALE, conforme aux normes ANSI.** Une telle protection est requise, car les clous et débris projetés peuvent causer des lésions oculaires graves.
- **Il incombe à l'employeur et / ou l'utilisateur de veiller à ce qu'une protection oculaire adéquate soit utilisée.** Nous recommandons d'utiliser un masque facial à champ de vision élargi ou des lunettes de sécurité munies d'écrans latéraux protégeant des débris projetés, plutôt que des lunettes de vue. Toujours porter une protection oculaire certifiée conforme à la norme ANSI Z87.1.
- **Des équipements de protection supplémentaires sont requis dans certains environnements.** Par exemple, le lieu de travail peut présenter un niveau de bruit susceptible d'entraîner des lésions auditives. Il incombe à l'opérateur et à l'utilisateur qu'une protection auditive soit fournie et utilisée par l'opérateur et les autres personnes se trouvant sur le lieu de travail. Certains environnements requièrent le port d'un casque. Il incombe à l'employeur et / ou l'utilisateur de veiller à ce qu'un casque conforme à la norme ANSI Z89.1-1997 soit utilisé.
- **Rester attentif, prêter attention au travail et faire preuve de bon sens lors de l'utilisation de tout outil électrique. Ne pas utiliser cet outil en état de fatigue ou sous l'influence d'alcool, de drogues ou de médicaments.** Un moment d'inattention pendant l'utilisation d'un outil électrique peut entraîner des blessures graves.
- **Porter une tenue appropriée. Ne porter ni vêtements amples, ni bijoux. Attacher ou couvrir les cheveux longs. Garder les cheveux, les vêtements et les gants à l'écart des pièces en mouvement.** Les vêtements amples, bijoux et cheveux longs peuvent se prendre dans les pièces en mouvement.
- **Excepté pour planter des clous, garder les doigts à l'écart de la gâchette, pour éviter un déclenchement accidentel.**

- **Ne pas travailler hors de portée. Toujours se tenir bien campé et en équilibre.** Une bonne tenue et un bon équilibre permettent de mieux contrôler l'outil en cas de situation imprévue.
- **Utiliser l'équipement de sécurité. Toujours porter une protection oculaire.** Suivant les conditions, le port d'un masque antipoussière, de chaussures de sécurité, d'un casque ou d'une protection auditive est recommandé.
- **Ne pas utiliser l'outil sur une échelle ou un support instable.** Une bonne tenue et un bon équilibre permettent de mieux contrôler l'outil en cas de situation imprévue.

UTILISATION ET ENTRETIEN DE L'OUTIL

- **Ne pas forcer l'outil. Utiliser un outil approprié pour le travail.** Un outil approprié exécutera le travail mieux et de façon moins dangereuse s'il fonctionne dans les limites prévues.
- **Ne pas utiliser l'outil si la gâchette ne fonctionne pas correctement.** Tout outil qui ne peut pas être contrôlé par la gâchette est dangereux et doit être réparé.
- **Vérifier le mécanisme de contact de la tête de l'outil fréquemment.** Ne pas utiliser l'outil si le mécanisme de déclenchement par contact ne fonctionne pas correctement, car l'éjection accidentelle d'un clou pourrait se produire. Ne pas empêcher le fonctionnement correct du mécanisme de contact de la tête de la cloueuse.
- **Ranger les outils non utilisés hors de portée des enfants et des personnes n'ayant pas reçu des instructions adéquates.** Dans les mains de personnes n'ayant pas reçu des instructions adéquates, les outils sont dangereux.
- **Entretenir soigneusement les outils.** Respecter toutes les instructions d'entretien. Les outils correctement entretenus sont plus faciles à contrôler.
- **Vérifier qu'aucune pièce mobile n'est mal alignée, grippée ou brisée et s'assurer qu'aucun autre problème risque d'affecter le bon fonctionnement de l'outil. En cas de dommages, faire réparer l'outil avant de l'utiliser de nouveau.** Beaucoup d'accidents sont causés par des outils mal entretenus.
- **Utiliser exclusivement les clous/agrafes recommandés pour le modèle d'outil.**
- **Garder l'outil et sa poignée secs, propres et exempts d'huile ou de graisse.** Toujours utiliser un chiffon propre pour le nettoyage. Ne jamais utiliser de liquide de freins, d'essence, de produits à base de pétrole ou de solvants forts pour nettoyer l'outil. Le respect de cette règle réduira les risques de perte de contrôle et d'endommagement du boîtier en plastique.

DÉPANNAGE

- **Le dépannage des outils doit être confié exclusivement à un personnel qualifié.** Les réparations ou entretiens effectués par des personnes non qualifiées présentent des risques de blessures.
- **Utiliser exclusivement des pièces identiques à celles d'origine pour les réparations. Se conformer aux instructions de la section Entretien de ce manuel.** L'usage de pièces non autorisées ou le non respect des instructions d'entretien peut présenter des risques de blessures.

RÈGLES DE SÉCURITÉ PARTICULIÈRES

- **Apprendre à connaître l'outil.** Lire attentivement le manuel d'utilisation. Apprendre les applications et les limites de l'outil, ainsi que les risques spécifiques relatifs à son utilisation. Le respect de cette règle réduira les risques d'incendie, de choc électrique et de blessures.
- **Toujours porter une protection oculaire certifiée conforme à la norme ANSI Z87.1.** Si cette précaution n'est pas prise, des objets peuvent être projetés dans les yeux et d'autres lésions graves.
- **Protection respiratoire.** Porter un masque facial ou respiratoire si le travail produit de la poussière. Le respect de cette règle réduira les risques de blessures graves.
- **Protection auditive.** Porter une protection auditive durant les périodes d'utilisation prolongée. Le respect de cette règle réduira les risques de blessures graves.
- **S'assurer que le flexible n'est ni bloqué, ni accroché.** Un flexible emmêlé ou entortillé peut causer une perte d'équilibre et être endommagé.
- **L'outil ne doit être utilisé que pour les applications pour lesquelles il est conçu.** Ne pas décharger des clous dans le vide.
- **Cet outil pneumatique ne doit être utilisé que pour les applications pour lesquelles il est conçu.**
- **Ne pas utiliser de clous en acier trempé avec cet outil.**
- **Utiliser seulement les agrafes recommandées pour cet outil.** L'utilisation du mauvais type d'agrafes pourrait nuire au débit des agrafes et entraîner des bourrages d'agrafes ainsi que l'éjection des clous de l'outil à des angles irréguliers. Si le débit des agrafes n'est pas constant et fluide, cesser de les utiliser sur le champ. Les bourrages et un débit d'agrafes irrégulier peuvent occasionner des blessures graves.
- **Ne jamais utiliser cet outil de façon à ce qu'un clou puisse être dirigé vers quoi que ce soit d'autre que la pièce à clouer.**
- **Ne pas utiliser cet outil comme un marteau.**
- **Toujours transporter l'outil par la poignée.** Ne jamais transporter l'outil par le flexible d'air.
- **Ne pas altérer ou modifier cet outil, ni l'utiliser pour des fonctions autres que celles prévues, sans autorisation préalable de son fabricant.**
- **Ne jamais oublier qu'un usage incorrect ou abusif de cet outil peut mettre l'opérateur et les autres personnes présentes en danger.**
- **Ne jamais bloquer la gâchette ou le contact de la clouuse en position de déclenchement avec du ruban adhésif ou un quelconque autre système.**
- **Ne jamais laisser l'outil sans surveillance avec le flexible d'air branché.**
- **Ne pas utiliser cet outil s'il ne comporte pas d'autocollant d'avertissement.**
- **Ne pas utiliser un outil qui présente des fuites d'air ou ne fonctionne pas correctement.**

UTILISATION

- **Toujours présumer que l'outil contient des clous.**
- **Ne pas transporter l'outil avec le doigt sur la gâchette.** Un clou pourrait être éjecté accidentellement.
- **Toujours manipuler l'outil avec précaution :**
 - Respecter cet outil comme tout équipement de travail.
 - Ne pas l'utiliser l'utiliser comme un jouet.
 - Ne jamais appuyer sur la gâchette si la tête de l'outil n'est pas dirigée vers la pièce à clouer.
 - Garder toutes les personnes présentes à distance sûre de l'outil, car un éventuel déclenchement accidentel pourrait entraîner des blessures.
- **Ne pas enlever, modifier ou nuire d'une quelconque façon au bon fonctionnement des commandes de l'outil.**
- **Ne pas utiliser l'outil si une de ses commandes est inutilisable, déconnectée, défectueuse ou a été modifiée.**
- **Le choix de la méthode de déclenchement est important. Voir les options de déclenchement dans le manuel.**
- **Les outils pneumatiques sont conçus pour une utilisation à une main.** Ne pas tenir l'outil par la face avant du chargeur. Tenir les mains, la tête et toute autre partie du corps à distance du point d'éjection des clous, près du chargeur, afin d'éviter des blessures graves.
- **Ne pointer l'outil ni vers soi, ni vers quiconque, qu'il contienne des clous ou non.**
- **N'actionner l'outil que pour planter un clou dans la pièce à assujettir.**
- **Toujours s'assurer que la surface de contact est exactement positionnée sur la pièce à clouer.** Un positionnement seulement partiel de la surface de contact sur la pièce à clouer peut occasionner des blessures graves car l'agrafe risque d'être éjectée complètement à côté de la pièce.
- **Ne pas planter de clous près du bord du matériau.** La pièce à clouer peut se fendre, causant un ricochet du clou, qui risque alors de blesser l'opérateur ou une autre personne présente. Ne pas oublier que le clou peut suivre le grain du bois et que sa pointe peut ressortir inopinément par le bord de la planche.
- **Garder les mains et toutes les parties du corps à l'écart du point à clouer.** Au besoin, assujettir la pièce à clouer avec des serre-joint pour garder les mains à l'écart de la zone dangereuse. S'assurer que la pièce à clouer est correctement assujettie avant d'appuyer la cloueuse à sa surface. Le contact de la cloueuse peut causer un déplacement inopiné de la pièce.

RÈGLES DE SÉCURITÉ PARTICULIÈRES

- **Lors du travail dans des endroits confinés, garder le visage et le corps à l'écart de l'arrière de l'outil.** Un recul brusque peut projeter la cloueuse contre le corps, en particulier lors du clouage de matériaux denses.
- **Durant l'utilisation normale de l'outil, un recul se produit lorsqu'un clou est planté. Ce recul est normal.** Ne pas essayer de l'empêcher en maintenant l'outil contre la pièce à clouer. Cela pourrait causer l'éjection d'un second clou. Tenir la poignée fermement, laisser l'outil exécuter le travail et ne jamais placer l'autre main sur le dessus de l'outil ou près de l'échappement. Le non respect de cette mise en garde peut entraîner des blessures graves.
- **Ne pas planter un clou sur un autre ou avec l'outil à un angle trop prononcé, car le clou pourrait dévier et blesser quelqu'un.**

ALIMENTATION ET CONNEXIONS PNEUMATIQUES

- **Ne pas utiliser de l'oxygène ou des gaz combustibles ou en bouteille pour alimenter l'outil, car celui-ci pourrait exploser et infliger des blessures graves ou mortelles.**
- **Ne pas utiliser un compresseur d'air pouvant produire une pression de plus de 200 P.S.I. car l'outil pourrait exploser et infliger des blessures.**
- **Le connecteur utilisé sur l'outil ne doit pas maintenir la pression une fois que l'alimentation pneumatique a été débranchée.** Si un fusible de type incorrect est utilisé, l'outil peut rester chargé d'air une fois débranché et éjecter un clou, risquant de blesser quelqu'un.

- **Tuyau d'alimentation de l'air** - Le tuyau doit pouvoir supporter la pression nominale du compresseur au cas où un régulateur brise, ou 150 psi, selon la valeur la plus élevée.
- **Toujours débrancher l'alimentation pneumatique :**
 - Avant d'effectuer des réglages
 - Lors de l'entretien de l'outil
 - Lors du déblocage de l'outil
 - Lorsque l'outil n'est pas en usage
 - Avant de se déplacer avec l'outil, car un déclenchement accidentel pourrait entraîner des blessures.

CHARGEMENT DE L'OUTIL

- **Ne pas charger l'outil lorsque l'une des commandes de déclenchement est activée.**

Lors du chargement de l'outil :




- **Ne jamais placer une main ou une partie quelconque du corps devant la tête de l'outil.**
- **Ne jamais pointer l'outil sur qui que ce soit.**
- **Ne pas appuyer sur la gâchette ou sur le mécanisme de contact, car l'outil pourrait éjecter un clou, risquant de blesser quelqu'un.**

CONSERVER CES INSTRUCTIONS.







- Les consulter fréquemment et les utiliser pour instruire les autres utilisateurs éventuels. Si cet outil est prêté, il doit être accompagné de ces instructions.

SYMBOLES

Les termes de mise en garde suivants et leur signification ont pour but d'expliquer le degré de risques associé à l'utilisation de ce produit.

SYMBOLE	SIGNAL	SIGNIFICATION
	DANGER :	Indique une situation extrêmement dangereuse qui, si elle n'est pas évitée, aura pour conséquences des blessures graves ou mortelles.
	AVERTISSEMENT :	Indique une situation potentiellement dangereuse qui, si elle n'est pas évitée, pourrait entraîner des blessures graves ou mortelles.
	ATTENTION :	Indique une situation potentiellement dangereuse qui, si elle n'est pas évitée, pourrait entraîner des blessures légères ou de gravité modérée.
	AVIS :	(Sans symbole d'alerte de sécurité) Indique une information importante ne concernant pas un risque de blessure comme une situation pouvant occasionner des dommages matériels.

Certains des symboles ci-dessous peuvent être utilisés sur l'outil. Veiller à les étudier et à apprendre leur signification. Une interprétation correcte de ces symboles permettra d'utiliser l'outil plus efficacement et de réduire les risques.

SYMBOL	NAME	DESIGNATION/EXPLANATION
	Symbole d'alerte de sécurité	Indique un risque de blessure potentiel.
	Lire manuel d'utilisation	Pour réduire les risques de blessures, l'utilisateur doit lire et veiller à bien comprendre le manuel d'utilisation avant d'utiliser ce produit.
	Protection oculaire	Toujours porter une protection oculaire avec écrans latéraux certifiée conforme à la norme ANSI Z87.1.
	Protection oculaire, protection de l'ouïe et casque	Toujours porter des lunettes de sécurité étanches ou munies d'écrans latéraux ou un masque facial intégral lors de l'utilisation de ce produit.
	Garder les mains à l'écart	Garder les mains et le corps à l'écart de la décharge de l'outil.
	Surface brûlante	Pour éviter les risques de blessures ou de dommages, éviter tout contact avec les surfaces brûlantes.

PROPOSITION 65 DE L'ÉTAT DE CALIFORNIE

AVERTISSEMENT :

Ce produit et la poussière dégagée lors du ponçage, sciage, meulage, perçage de certains matériaux et lors d'autres opérations de construction peuvent contenir des produits chimiques, notamment du plomb qui, selon l'État de la Californie, peuvent causer le cancer, des anomalies congénitales et d'autres dommages au système reproducteur. **Bien se laver les mains après toute manipulation.**

Voici certains exemples de ces produits chimiques :

- le plomb contenu dans la peinture au plomb,
- la silice cristalline contenue dans les briques, le béton et d'autres produits de maçonnerie, ainsi que
- l'arsenic et le chrome contenus dans le bois de construction traité par produits chimiques

Le risque présenté par l'exposition à ces produits varie en fonction de la fréquence de ce type de travail. Pour réduire l'exposition, travailler dans un endroit bien aéré et utiliser des équipements de sécurité approuvés tels que masques antipoussières spécialement conçus pour filtrer les particules microscopiques.

GLOSSAIRE

Activer (commandes de l'outil)

Mettre une commande sur une position déclenchant ou permettant de déclencher l'outil

Actionner (outil)

Causer le mouvement des pièces conçues pour chasser le clou.

Système de déclenchement

Gâchette, déclencheur par contact et / ou autre commande qui, utilisées séparément ou conjointement déclenchent l'outil.

- **Déclenchement par séquence unique**

Système de déclenchement comprenant plus d'une commande et dont les commandes doivent être actionnées dans un ordre donné pour déclencher l'outil. Le déclenchement peut être répété lorsqu'une commande, autre que le déclencheur par contact, est relâchée, puis actionnée de nouveau.

- **Déclenchement par contact**

Système de déclenchement comprenant plus d'une commande et dont les commandes doivent être actionnées dans n'importe quel ordre pour déclencher l'outil. Le déclenchement peut être répété lorsqu'une commande est relâchée, puis actionnée de nouveau.

Orifice d'entrée d'air

Sur un outil pneumatique, l'ouverture sur laquelle la source d'air est connectée, généralement au moyen d'un raccord fileté.

Pièce de fixation

Agrafe, cheville, clou ou autre pièce de fixation conçue et fabriquée pour être utilisée pour les outils répondant à cette norme.

Blocage

Obstruction dans le système d'alimentation ou de décharge de l'outil.

Pression d'air maximum

Pression maximale admissible de l'air comprimé, telle que spécifiée par le fabricant, pour alimenter un outil.

Commande

Dispositif qui, séparément ou en conjonction avec un système, peut causer le déclenchement de l'outil.

Gâchette

Commande de l'outil actionnée par le doigt de l'opérateur.

Pièce

Objet dans lequel un clou, une agrafe ou autre pièce de fixation est enfoncé par l'outil.

Contact de déclenchement

Pièce ou partie de l'outil conçue pour le déclencher par contact avec la pièce à assujettir.

CARACTÉRISTIQUES

FICHE TECHNIQUE

Pression de service 70 à 120 psi
Capacité du magasin 60 à 70 clous
Diamètre de la tige minimum 0,113 po
Consommation d'air
0,05 m³/cycle (0,17 pi³/cycle) à 100 psi

Entrée d'air 1/4 po NPT
Niveau acoustique pondéré d'impulsion 117,9 dBA
Niveau acoustique pondéré d'émission 104,9 dBA
Poids 3,18 kg (7,0 lb)

APPRENDRE À CONNAÎTRE LA CLOUEUSE

Voir la figure 1, page 15.

La sécurité d'utilisation de ce produit exige la compréhension des informations apposées sur l'outil et contenues dans ce manuel d'utilisation, ainsi que la connaissance du travail à exécuter. Avant d'utiliser ce produit, se familiariser avec toutes ses fonctions et règles de sécurité.

ÉCHAPPEMENT RÉGLABLE

L'échappement peut être orienté selon la préférence de l'opérateur.

RÉGLAGE DE PROFONDEUR D'ENFONCEMENT

Ce dispositif permet à l'opérateur d'ajuster précisément la profondeur d'enfoncement des clous.

SÛRETÉ DE DÉCLENCHEMENT À VIDE

Ce dispositif de sûreté empêche le déclenchement de l'outil lorsque le magasin est presque vide, pour empêcher les manques et prolonger la vie utile du moteur.

HEX GRIP™

Poignée ergonomique avec surmoulage Hex Grip™ pour un plus grand confort et une meilleure prise.

FILTRE À AIR DANS LA POIGNÉE

Ce filtre autonettoyant empêche la pénétration de débris et prolonge la vie utile de l'outil.

BUTÉE DE PISTON INTERNE

Cette butée assure la régularité d'enfoncement des clous.

MÉCANISME DE DÉBLOCAGE

La mécanique de déblocage permet à l'utilisateur d'accéder rapidement à la nez de l'outil pour dégager les pièces qui peuvent se coincer à l'occasion.

AJUSTEMENT DU CHARGEUR

Ce ajustement du chargeur permet d'utiliser une grande variété de clous. Le mécanisme ajustable situé dans le chargeur s'ajuste automatiquement à toutes les grandeurs de clous.

SILENCIEUX

Réduit le bruit de fonctionnement.

COUSSINET DE PROTECTION

Le coussinet de protection empêche de marquer ou d'érafler les bois tendres.

CONNECTEUR RAPIDE PIVOTANT

Ce connecteur aide à empêcher les entortillements du flexible.

CROCHET À CHEVRON

L'outil peut être suspendu à un chevron lorsqu'il est débranché et pas utilisé.

GÂCHETTE À SÉLECTEUR

Cette gâchette permet à l'opérateur de choisir entre le déclenchement par contact, pour un rendement accru ou le déclenchement à séquence unique pour un placement précis des clous.

GRIFFE DE CLOUAGE EN BIAIS

Cette griffe réduit le glissement lors du clouage en biais.

ASSEMBLAGE

AVERTISSEMENT :

Ne pas utiliser le produit s'il n'est pas complètement assemblé ou si des pièces semblent manquantes ou endommagées. L'utilisation d'un produit dont l'assemblage est incorrect ou incomplet ou comportant des pièces endommagées ou absentes représente un risque de blessures graves.

AVERTISSEMENT :

Ne pas essayer de modifier cet outil ou de créer des accessoires non recommandés pour ce produit. De telles altérations ou modifications sont considérées comme un usage abusif et peuvent créer des conditions dangereuses, risquant d'entraîner des blessures graves.

Si des pièces sont manquantes ou endommagées, obtenir de l'aide en composant le 1-866-539-1710.

UTILISATION

DANGER :

Ne pas utiliser de l'oxygène ou des gaz combustibles ou en bouteille pour alimenter l'outil. L'outil exploserait, causant des blessures graves ou mortelles.

AVERTISSEMENT :

Ne pas laisser la familiarité avec les outils faire oublier la prudence. Ne pas oublier qu'une fraction de seconde d'inattention peut entraîner des blessures graves.

AVERTISSEMENT :

Toujours porter une protection oculaire avec écrans latéraux certifiée conforme à la norme ANSI Z87.1. Le non respect de cette règle peut faire en sorte que des liquides soient projetés dans vos yeux, ce qui peut entraîner des blessures graves.

AVERTISSEMENT :

Débrancher l'outil de la source d'air avant de quitter le lieu de travail, de transporter l'outil à un autre endroit ou de le passer à une autre personne. Ne pas prendre cette précaution peut entraîner des blessures graves.

APPLICATIONS

Cet outil peut être utilisé pour les applications ci-dessous :

- Charpenterie
 - Platelage
 - Terrasses en bois
 - Bois de haute technologie
 - Calage de sous-ensembles
 - Palissades
 - Assemblage de caisses
 - Treillis
 - Fabrication et réparation de palettes
 - Faux planchers
-

AVERTISSEMENT :

Toujours porter une protection oculaire. Les protections oculaires ne s'ajustent pas de la même façon sur toutes les personnes. Veiller à ce que le dispositif oculaire soit doté d'écrans latéraux protégeant des débris projetés sur le devant et les côtés.

UTILISATION

PRÉPARATION DE L'OUTIL POUR LE TRAVAIL

Voir la figure 2, page 15.

Dans des conditions d'utilisation normales, l'outil doit être lubrifié avant d'être raccordé à l'alimentation pneumatique. Ajouter 30 gouttes d'huile dans le connecteur pivotant pour lubrifier l'outil avant la première utilisation. Après cette première lubrification, entretenir l'outil en ajoutant quotidiennement de l'huile. Ajouter 10 gouttes tous les jours pour une utilisation légère ou deux fois par jour pour une utilisation intensive. Ajouter de l'huile au besoin. Un excès d'huile peut s'accumuler à l'intérieur de l'outil et sera visible autour de l'échappement du dessus et du dessous.

Avant d'utiliser l'outil, vérifier que la jauge du compresseur affiche une pression entre 70 et 120 psi, et s'assurer que l'outil réponde à toutes les exigences de la **Liste de contrôle quotidien** qui se trouve plus loin dans ce manuel. Ne pas utiliser l'appareil s'il est défectueux.

NOTA: Toujours porter l'équipement de protection individuel adéquat et respecter les consignes de sécurité lors de l'utilisation de cet outil.

COUSSINET DE PROTECTION

Voir la figure 3, page 15.

Le coussinet de protection empêche de marquer ou d'érafler les bois tendres.

AVERTISSEMENT :

Débrancher l'outil de la source d'air avant de retirer le coussinet de protection ou de le remettre en place. Ne pas prendre cette précaution peut entraîner des blessures graves.

Le coussinet de protection de la cloueuse peut être retiré en l'ouvrant et en l'écartant du côté de la griffe de clouage en biais. Pour remettre le coussinet en place, l'engager sur les pointes de la griffe.

Un compartiment de rangement du coussinet est prévu sur le magasin de l'outil.

RÉGLAGE DE L'ÉCHAPPEMENT

Voir la figure 4, page 15.

L'échappement réglable du dessus de l'outil permet à l'opérateur d'orienter l'échappement selon sa préférence.

Pour orienter l'échappement, tourner le capuchon dans la direction désirée.

RACCORDEMENT DE L'OUTIL À UNE SOURCE D'AIR

Voir la figure 5, page 15.

AVERTISSEMENT :

Débrancher l'outil de la source d'air avant de quitter le lieu de travail, de transporter l'outil à un autre endroit ou de le passer à une autre personne. Ne pas prendre cette précaution peut entraîner des blessures graves.

DANGER :

Ne pas utiliser de l'oxygène ou des gaz combustibles ou en bouteille pour alimenter l'outil. L'outil exploserait, causant des blessures graves ou mortelles.

Cet outil est conçu pour fonctionner avec de l'air comprimé propre, sous pression régulée de 70 à 120 psi. La pression d'air correcte est la plus basse permettant d'exécuter le travail.

NOTE : Une pression d'air de plus de 120 psi peut endommager l'outil.

L'outil et le raccord doivent être connectés par un raccord permettant de relâcher toute la pression de l'outil lors du débranchement.

AVERTISSEMENT :

Toujours utiliser un raccord déchargeant toute la pression de l'outil lorsque le flexible est déconnecté. L'usage d'un raccord ne relâchant pas l'air comprimé pourrait causer un déclenchement accidentel susceptible d'entraîner des blessures graves.

AVERTISSEMENT :

Ne pas monter sur une échelle ou un échafaudage et transportant un outil connecté au flexible d'air. Cela pourrait entraîner des blessures graves.

Raccorder l'outil à la source d'air au moyen d'un raccord rapide femelle de 1/4 po. Un raccord rapide femelle de 3/8 po peut au besoin être utilisé si un flexible de 1/4 po n'est pas disponible. Toutefois, pour un fonctionnement optimal de l'outil, un flexible et un raccord de 3/8 po doivent être utilisés.

AVERTISSEMENT :

Débrancher l'outil de la source d'air avant de quitter le lieu de travail, de transporter l'outil à un autre endroit ou de le passer à une autre personne. Ne pas prendre cette précaution peut entraîner des blessures graves.

CHARGEMENT DES CLOUS

Voir les figures 6 et 7, page 15.

AVERTISSEMENT :

Le mécanisme d'entraînement de l'outil peut être actionné lors du raccordement à la source d'air. Toujours brancher l'outil à une entrée d'air sous pression avant de charger les clous afin d'éviter des blessures causées par un déclenchement involontaire. Toujours s'assurer que le magasin est vide, au début de chaque séance de travail, avant de raccorder l'outil à la source d'air.

UTILISATION

- Raccorder l'outil à la source d'air.
- La tête de l'outil étant dirigée à l'écart de soi, insérer une bande de clous dans le magasin. S'assurer que les clous sont à l'angle indiqué, leur pointe dirigée vers le bas.

AVERTISSEMENT :

Veiller à ne pointer l'outil ni vers soi, ni vers d'autres personnes lors du chargement de clous. L'inobservation de cette consigne peut entraîner des blessures graves.

- Glisser le poussoir à fond vers l'arrière du magasin. Relâcher le poussoir et le laisser pousser les clous jusqu'au mécanisme d'entraînement. Le poussoir s'arrête lorsqu'il est appuyé contre l'extrémité de la bande de clous.

NOTE : Ne pas laisser le poussoir se rabattre brusquement.

AVERTISSEMENT :

Utiliser exclusivement les clous recommandés pour cet outil (voir le guide des clous). L'usage d'autres clous peut causer un mauvais fonctionnement de l'outil, susceptible d'entraîner des blessures graves.

AVERTISSEMENT :

Ne jamais charger les clous avec la gâchette ou le mécanisme de déclenchement par contact activé. Cela pourrait entraîner des blessures graves.

AVERTISSEMENT :

Ne pas utiliser de clous dont le diamètre est inférieur à 2,87 mm (0,113 po). Ne pas respecter cette directive peut faire en sorte que les clous soient expulsés prématurément de l'outil par la rampe. Ne pas utiliser de clous en acier trempé avec des outils pneumatiques. Cela peut user excessivement le corps de la rampe et amener les clous à sortir par l'arrière, ce qui peut causer des blessures graves.

UTILISATION DE LA GÂCHETTE À SÉLECTEUR

Voir les figures 8 et 9, page 16.

AVERTISSEMENT :

Ne jamais caler ou bloquer le mécanisme de sûreté de déclenchement par contact pendant que l'outil est en fonctionnement. Cela pourrait entraîner des blessures graves.

Cet outil est expédié de l'usine avec la gâchette en position de **déclenchement par séquence unique**. La gâchette peut également être réglée pour le **déclenchement par contact**.

DÉCLENCHEMENT PAR SÉQUENCE UNIQUE

Le mode de déclenchement par séquence unique permet le placement le plus précis des agrafes.

- Débrancher l'outil de la source d'air.
- Placer le bouton de sélection en mode de déclenchement unique (T).

AVERTISSEMENT :

La cloueuse ne fonctionne pas correctement. La cloueuse à air comprimé ne fonctionnera pas correctement si le bouton de sélection n'est pas complètement enclenché soit en position de déclenchement unique (T), soit en position de déclenchement par contact (TTT). Toujours s'assurer que le sélecteur est correctement positionné afin d'éviter une éjection inattendue du clou ce qui risquerait d'entraîner des blessures graves.

- Brancher l'outil sur la source d'air.
- Saisir l'outil fermement pour maintenir le contrôle. Placer la tête de l'outil contre la pièce à clouer.
- Appuyer l'outil contre la pièce à clouer pour actionner le dispositif de déclenchement par contact.
- Appuyer à fond sur la gâchette pour planter une agrafe.
- Ne pas empêcher le recul de l'outil lorsque l'agrafe est plantée.
- Toujours retirer son doigt de la gâchette une fois la quantité de clous désirée clouée.

DÉCLENCHEMENT PAR CONTACT

Le déclenchement par contact permet de planter un grand nombre de clous très rapidement.

- Débrancher l'outil de la source d'air.
- Placer le bouton de sélection en mode de déclenchement par contact (TTT).
- Rebrancher l'outil à la source d'air.
- Saisir l'outil fermement pour maintenir le contrôle.
- Appuyer sur la gâchette et la maintenir enfoncée. Appuyer l'outil contre la pièce à clouer pour actionner le dispositif de déclenchement par contact et planter un clou.
- Ne pas empêcher le recul de l'outil lorsque le clou est planté.
- Toujours retirer son doigt de la gâchette une fois la quantité de clous désirée clouée.

NOTE : En mode de déclenchement par contact, les clous peuvent également être plantés en appuyant la tête de l'outil sur la pièce et en pressant la gâchette.

UTILISATION

AVERTISSEMENT :

Durant l'utilisation normale de l'outil, un recul se produit lorsqu'un clou est planté. Ce recul est normal. Ne pas essayer de l'empêcher en maintenant l'outil contre la pièce à clouer. Cela pourrait causer l'éjection d'un second clou. Tenir la poignée fermement, laisser l'outil exécuter le travail et ne jamais placer l'autre main sur le dessus de l'outil ou près de l'échappement. Le non respect de cette mise en garde peut entraîner des blessures graves.

SÛRETÉ DE DÉCLENCHEMENT À VIDE

Lorsque le magasin est presque complètement vide, la sûreté de déclenchement à vide empêche le fonctionnement de l'outil. Pour continuer le travail, recharger la cloueuse.

RÉGLAGE DE LA PRESSION D'AIR

Le réglage de pression d'air dépend de la taille des clous et de la dureté du matériau à clouer.

Commencer par tester la profondeur d'enfoncement en plantant l'un des clous à utiliser dans un morceau du même bois que la pièce à clouer.

Pour le test, utiliser une pression de 90 à 95 psi. Augmenter ou réduire la pression d'air de manière à obtenir le réglage minimum permettant d'exécuter le travail uniformément.

Il est possible d'obtenir la profondeur désirée simplement en réglant la pression d'air. Si un réglage plus fin est nécessaire, utiliser le réglage de profondeur d'enfoncement de l'outil.

RÉGLAGE DE PROFONDEUR D'ENFONCEMENT

Voir la figure 10, page 16.

La profondeur d'enfoncement des clous peut être ajustée. Il est recommandé de faire un essai sur une chute afin de déterminer la profondeur requise pour l'application.

Pour déterminer la profondeur, régler d'abord la pression d'air, puis planter un clou. Pour obtenir la profondeur nécessaire, utiliser le réglage de profondeur d'enfoncement de l'outil.

- Débrancher l'outil de la source d'air.
- Tourner le sélecteur de profondeur vers la droite ou la gauche pour accroître ou réduire la profondeur.
- Rebrancher l'outil à la source d'air.
- Planter un clou d'essai après chaque réglage, jusqu'à ce que la profondeur voulue soit obtenue.

ENFONCER LES CLOUS À ANGLE

Voir la figure 11, page 16.

Avant d'enfoncer des clous à angle, s'assurer que l'outil n'est pas dirigé vers vous ou vers d'autres personnes.

Avant d'enfoncer des clous à angle, s'assurer que l'outil se trouve dans la bonne position. Enfoncer le clou à un angle trop abrupt peut :

- faire en sorte que le clou ne pénètre pas dans la pièce à travailler ;
 - faire ricocher le clou ;
 - fissurer ou faire éclater la pièce à travailler ; le clou peut alors ricocher sur l'utilisateur.
-

AVERTISSEMENT :

Ne jamais enfoncer un clou en inclinant l'outil vers l'avant. Le piège de fixation pourrait manquer la surface à travailler ou ricocher sur la surface et provoquer des blessures graves.

AVERTISSEMENT :

Débrancher l'outil de la source d'air avant de retirer ou débloquent un clou. Ne pas prendre cette précaution peut entraîner des blessures graves.

RETRAIT DE CLOUS DE L'OUTIL

Voir la figure 12, page 16.

- Débrancher l'outil de la source d'air.
- Pour retirer une bande de clous de l'outil, appuyer sur le bouton de libération du poussoir. Une fois dégagé, le piston remonte.

NOTE : Toujours garder les doigts à l'écart du guide de clous du magasin, pour éviter des blessures en cas de désengagement imprévu du poussoir.

- Appuyer sur la languette de butée se trouvant près de l'extrémité du magasin et glisser la bande de clous par-dessus cette languette.
- Retrait de la bande de clous de l'outil.

DÉBLOCAGE D'UN CLOU

Voir les figures 13 et 15, page 17.

AVERTISSEMENT :

Débrancher l'outil de la source d'air avant de retirer ou débloquent une agrafe. Ne pas prendre cette précaution peut entraîner des blessures graves.

UTILISATION

Si un clou ou une agrafe se bloque dans l'outil, débrancher le flexible d'air et garder l'outil pointé à l'écart de soi pour le débloquer.

- Débrancher l'outil de la source d'air.
- Retirer les clous de l'outil.
- Pour déloger un clou bloqué, ouvrir le mécanisme de déblocage en poussant le loquet vers l'avant de l'outil et en le faisant basculer.
- Au besoin, utiliser une pince à bec fin pour retirer le clou.
- Une fois que le clou a été retiré, refermer le mécanisme

de déblocage et le verrouiller.

NOTE : Le mécanisme de déblocage doit toujours être fermé lorsque vous utilisez cet outil.

Si le blocage est important, ou si un clou est difficile à déloger :

- Insérer un tournevis Phillips no. 2 dans le mécanisme d'entraînement.
- Tapoter doucement le tournevis avec un marteau. Le tournevis pousser la lame de percussion vers l'arrière, pour libérer le clou bloqué.
- Une fois que le clou a été retiré, refermer le mécanisme de déblocage et le verrouiller.

NOTE : Le mécanisme de déblocage doit toujours être fermé lorsque vous utilisez cet outil.

ENTRETIEN

AVERTISSEMENT :

Utiliser exclusivement des pièces RIDGID d'origine pour les réparations. L'usage de toute autre pièce pourrait créer une situation dangereuse ou endommager l'outil.

AVERTISSEMENT :

Toujours porter une protection oculaire avec écrans latéraux certifiée conforme à la norme ANSI Z87.1. Le non respect de cette règle peut faire en sorte que des liquides soient projetés dans vos yeux, ce qui peut entraîner des blessures graves.

AVERTISSEMENT :

Débrancher l'outil de la source d'air avant tout entretien. Ne pas prendre cette précaution peut entraîner des blessures graves.

ENTRETIEN GÉNÉRAL

Éviter d'utiliser des solvants pour le nettoyage des pièces en plastique. La plupart des matières plastiques peuvent être endommagées par divers types de solvants du commerce. Utiliser un chiffon propre pour éliminer la saleté, la poussière, l'huile, la graisse, etc.

AVERTISSEMENT :

Ne jamais laisser de liquides tels que le fluide de freins, l'essence, les produits à base de pétrole, les huiles pénétrantes, etc., entrer en contact avec les pièces en plastique. Les produits chimiques peuvent endommager, affaiblir ou détruire le plastique, ce qui peut entraîner des blessures graves.

LUBRIFICATION

Une lubrification fréquente, mais pas excessive, est nécessaire pour obtenir un fonctionnement optimal. De l'huile pour outils pneumatiques, placée dans le connecteur de flexible d'air, lubrifiera les pièces internes. Ne pas utiliser une huile détergente ou un additif, car ces produits accélèreraient l'usure des joints et butoirs de l'outil, nuisant à son fonctionnement et exigeant des entretiens fréquents.

UTILISATION PAR TEMPS FROID

Lorsque l'outil est utilisé par temps froid, l'humidité contenue dans le flexible d'air peut geler, empêchant le fonctionnement de l'outil. Par temps froid, nous recommandons d'utiliser une huile pour outils pneumatiques ou un antigel permanent (glycoléthylène).

AVIS :

Ne pas entreposer les outils dans des endroits froids pour éviter la formation de givre ou de glace sur les soupapes et mécanismes, afin de ne pas risquer une défaillance de l'outil.

NOTE : Certains produits d'assèchement de flexibles d'air sont nuisibles aux joints et joints toriques. Ne pas utiliser de tels produits sans s'être assuré de leur compatibilité.

ENTRETIEN

PRESSION ET VOLUME D'AIR

Le volume d'air est aussi important que la pression. Le volume d'air parvenant à l'outil peut être insuffisant, du fait de flexibles et raccords de trop petit diamètre ou de la présence de saleté et d'eau dans le système. L'obstruction du circuit d'air empêche l'outil de recevoir un volume suffisant, même si l'indication de pression du manomètre est élevée. Il en résulte un ralentissement du fonctionnement ou une insuffisance de puissance. Avant d'examiner un outil présentant ces symptômes, examiner l'alimentation d'air, jusqu'à la source en vue de connecteurs obstrués, d'eau dans les points bas et de tout ce qui pourrait empêcher qu'un volume d'air suffisant parvienne à l'outil.

LISTE DE CONTRÔLE QUOTIDIEN

Voir les figures 8 et 9, page 16.

- Débrancher l'alimentation d'air de l'outil et retirer toutes les agrafes.
- Vérifier toutes les vis et tiges, et tous les écrous et boulons de l'outil. Resserrer au besoin toute pièce à l'aide d'une clé de dimension appropriée.
- Appuyer la surface de contact sur la pièce à clouer afin d'en vérifier le mouvement.
- Lorsque la surface de contact est enfoncée, appuyer sur la gâchette. La gâchette devrait avoir un mouvement fluide.
- Choisir le mode de déclenchement unique (T).
- Brancher l'outil non chargé à une alimentation d'air appropriée (70 psi).
- Commencer l'inspection :
 - Désengager le dispositif de verrouillage de tir à vide et appuyer répétitivement la surface de contact sur une pièce sans appuyer sur la gâchette. L'outil ne doit pas fonctionner.

- Pointer l'outil vers le sol et loin de soi, sans que la surface de contact ne touche la pièce, et appuyer répétitivement sur la gâchette. Tenir la gâchette dans cette position pendant au moins 5 secondes. L'outil ne doit pas fonctionner.
- Charger les clous, puis appuyer la surface de contact fermement sur la pièce et appuyer sur la gâchette. L'outil doit fonctionner.
- En tenant la surface de contact enfoncée, relâcher la gâchette. Le poinçon devrait retourner à sa position initiale.
- Débrancher l'alimentation d'air de l'outil et retirer toutes les agrafes.
- Choisir le mode de déclenchement par contact (TTT).
- Rebrancher l'outil à la source d'air.
- Commencer l'inspection :
 - Pointer l'outil vers le sol et loin de soi, sans que la surface de contact ne touche la pièce, et appuyer répétitivement sur la gâchette. Tenir la gâchette dans cette position pendant au moins 5 secondes. L'outil ne doit pas fonctionner.
 - Charger les clous, puis appuyer la surface de contact sur une pièce en tenant la gâchette enfoncée. L'outil doit fonctionner.
- Débrancher l'alimentation d'air de l'outil et retirer toutes les agrafes.
- Si l'outil satisfait à toutes les exigences de cette liste de vérification, il peut être utilisé. Choisir le mode de déclenchement qui convient le mieux au travail à compléter.
- Régler la profondeur de clouage selon les instructions de la section **Régler la profondeur de clouage** du manuel.
- Connecter l'outil à l'approvisionnement en air et charger les clous appropriés pour la tâche à effectuer. Suivre cette liste de contrôle avant chaque utilisation quotidienne ou si l'outil est échappé ou endommagé de quelque manière que ce soit.

ACCESSOIRES

Pour la commande de pièces et kits d'entretien, appeler le 1-866-539-1710.

Kit d'entretien du mécanisme d'entraînement	079005004702
Kit de remise à neuf.....	079005004701
Ensemble huile et clé	079005004705

AVERTISSEMENT :

Les outils et accessoires disponibles actuellement pour cet outil sont listés ci-dessus. Ne pas utiliser d'outils ou accessoires non recommandés pour cet outil. L'utilisation de pièces et accessoires non recommandés peut entraîner des blessures graves.

DÉPANNAGE

PROBLÈME	CAUSE POSSIBLE	SOLUTION
Fuite d'air dans le haut de l'outil ou près de la gâchette	Lubrification insuffisante	Lubrifier l'outil
	Vis desserrées	Serrer les vis
	Joints ou joints toriques usés	Installer le kit de remise à neuf
Fuite d'air au bas de l'outil	Lubrification insuffisante	Lubrifier l'outil
	Vis desserrées	Serrer les vis
	Joints ou joints toriques usés	Installer le kit de remise à neuf
L'outil est inopérant ou faible	Alimentation pneumatique insuffisante	Vérifier que l'alimentation en air est suffisante
	Lubrification insuffisante	Lubrifier l'outil
	Joints toriques ou butoir usés	Installer le kit de remise à neuf
L'outil se bloque fréquemment	Clous de type incorrects	S'assurer que les clous sont de taille correcte
	Clous endommagés	Remplacer les clous
	Vis du magasin ou de la tête desserrées	Serrer les vis
	Magasin encrassé	Nettoyer le magasin
	Mécanisme d'entraînement usé ou endommagé	Installer le kit d'entretien du mécanisme d'entraînement

FIGURES (ILLUSTRATIONS) COMMENÇANT SUR 15 DE PAGE APRÈS LA SECTION ESPAGNOL.

**Ce produit est accompagné d'une politique de satisfaction de 90
jours et d'une garantie limitée de trois (3) ans.**

**Pour obtenir les détails de la garantie et de la politique, visiter le site
www.RIDGID.com ou appeler (sans frais) au 1-866-539-1710.**

REGLAS DE SEGURIDAD GENERALES



PELIGRO :

LEA Y COMPRENDA LAS ETIQUETAS DE LAS HERRAMIENTAS Y EL MANUAL. La inobservancia de los avisos de advertencia podría causar la MUERTE o LESIONES SERIAS.

GUARDE ESTAS INSTRUCCIONES

ÁREA DE TRABAJO

- **Mantenga limpia y bien iluminada el área de trabajo.** Una mesa de trabajo mal despejada y una mala iluminación son causas comunes de accidentes.
- **No utilice herramientas motorizadas en atmósferas explosivas, como las existentes alrededor de líquidos, gases y polvos inflamables.** Las herramientas eléctricas generan chispas que pueden encender el polvo y los vapores inflamables.
- **Mantenga alejados a los circunstantes, niños y demás presentes al utilizar una herramienta eléctrica.** Toda distracción puede causar la pérdida del control de la herramienta.

SEGURIDAD PERSONAL

- **Al cargar, utilizar y dar servicio a esta herramienta, el operador y demás personas SIEMPRE deben llevar puesta protección ocular que cumpla con las especificaciones ANSI y ofrezca protección contra partículas que salgan disparadas del FRENTE y de los LADOS.** Se requiere protección ocular como protección contra sujetadores y desechos que salgan disparados, los cuales pueden causar lesiones oculares serias.
- **Tanto el patrón como el operador deben asegurarse de que se use protección ocular adecuada.** Recomendamos la careta protectora de visión amplia encima de los anteojos normales o de los anteojos de seguridad que ofrecen protección frontal y lateral contra partículas que salen disparadas. Siempre póngase protección ocular con la marca de cumplimiento de la norma ANSI Z87.1.
- **En algunos entornos se requiere protección adicional.** Por ejemplo, en el área de trabajo puede haber exposición a un nivel de ruido que puede dañar el oído. El patrón y el operador deben asegurarse de contar con toda la protección auditiva necesaria y de que sea usada por el operador mismo y demás personas presentes en el área de trabajo. En algunos entornos se requiere el uso de equipo de protección para la cabeza. Cuando se requiera, el patrón y el operador deben asegurarse de que la protección usada para la cabeza cumpla con la norma ANSI Z89.1-1997.
- **Permanezca alerta, preste atención a lo que esté haciendo y aplique el sentido común al utilizar herramientas eléctricas. No utilice la herramienta si está cansado o se encuentra bajo los efectos de alguna droga, alcohol o medicamento.** Un momento de inatención al utilizar una herramienta eléctrica puede causar lesiones corporales serias.
- **Vístase adecuadamente. No vista ropas holgadas ni joyas. Recójase el cabello si está largo. Mantenga el cabello, la ropa y los guantes alejados de las piezas móviles.** Las ropas holgadas, las joyas y el cabello largo pueden engancharse en las piezas móviles.
- **Para evitar disparar accidentalmente la herramienta, mantenga los dedos lejos del gatillo cuando no esté clavando.**

- **No estire el cuerpo para alcanzar mayor distancia. Mantenga una postura firme y buen equilibrio en todo momento.** La postura firme y el buen equilibrio permiten un mejor control de la herramienta en situaciones inesperadas.
- **Use equipo de seguridad. Siempre póngase protección ocular.** Cuando lo exijan las circunstancias debe ponerse careta contra el polvo, zapatos de seguridad antiderrapantes, casco o protección auditiva.
- **No utilice la unidad al estar en una escalera o en un soporte inestable.** Una postura estable sobre una superficie sólida permite un mejor control de la herramienta en situaciones inesperadas.

EMPLEO Y CUIDADO DE LA HERRAMIENTA

- **No fuerce la herramienta. Utilice la herramienta adecuada al trabajo.** La herramienta adecuada efectúa el trabajo mejor y de manera más segura, si además se maneja a la velocidad para la que está diseñada
- **No utilice la herramienta si no funciona correctamente el gatillo.** Una herramienta que no pueda controlarse con el gatillo es peligrosa y debe repararse.
- **Verifique con frecuencia el funcionamiento del mecanismo del disparador de contacto.** No use la herramienta si no está funcionando correctamente el mecanismo del disparador de contacto, ya que puede causarse por accidente el disparo de un sujetador. No interfiera en el funcionamiento normal del mecanismo del disparador de contacto.
- **Guarde las herramientas que no estén en uso fuera del alcance de los niños y de toda persona no capacitada en el uso de las mismas.** Las herramientas son peligrosas en manos de personas no capacitadas en el uso de las mismas.
- **Dé mantenimiento con cuidado a las herramientas.** Siga todas las instrucciones de mantenimiento. Las herramientas que han recibido el debido mantenimiento se controlan con mayor facilidad.
- **Revise para ver si hay desalineación o atoramiento de piezas móviles, ruptura de piezas o toda otra condición que pueda afectar el funcionamiento de la herramienta. Si se daña la herramienta, llévela a servicio antes de volver a utilizarla.** Numerosos accidentes son causados por herramientas mal cuidadas.
- **Sólo utilice los sujetadores (clavos o grapas, según sea el caso) recomendados para cada modelo en particular.**
- **Mantenga la herramienta y el mango secos, limpios y sin aceite ni grasa.** Siempre utilice un paño limpio para la limpieza de la unidad. Nunca utilice fluidos para frenos, gasolina, productos a base de petróleo ni solventes fuertes para limpiar la herramienta. Con el cumplimiento de esta regla se reduce el riesgo de una pérdida de control y el deterioro del alojamiento de plástico de la unidad.

SERVICIO

- **El servicio de la herramienta sólo debe ser efectuado por personal de reparación calificado.** Todo servicio o mantenimiento efectuado por personal no calificado puede significar un riesgo de lesiones.
- **Al dar servicio a una herramienta, sólo utilice piezas de repuesto idénticas. Siga las instrucciones señaladas en la sección Mantenimiento de este manual.** El empleo de piezas no autorizadas o el incumplimiento de las instrucciones de mantenimiento puede significar un riesgo de lesiones.

REGLAS DE SEGURIDAD ESPECÍFICAS

- **Familiarícese con su herramienta eléctrica.** Lea cuidadosamente el manual del operador. Aprenda sus usos y limitaciones, así como los posibles peligros específicos de esta herramienta. Con el cumplimiento de esta regla se reduce el riesgo de una descarga eléctrica, incendio o lesión seria.
- **Siempre póngase protección ocular con la marca de cumplimiento de la norma ANSI Z87.1.** La inobservancia de esta advertencia puede permitir que los objetos lanzados hacia los ojos puedan provocar lesiones graves.
- **Protéjase los pulmones.** Use una careta o mascarilla contra el polvo si la operación genera mucho polvo. Con el cumplimiento de esta regla se reduce el riesgo de lesiones corporales serias.
- **Protéjase los oídos.** Durante períodos prolongados de utilización de la unidad póngase protección para los oídos. Con el cumplimiento de esta regla se reduce el riesgo de lesiones corporales serias.
- **Asegúrese de que la manguera no esté obstruida ni enganchada.** Si la manguera se enreda o engancha puede causar una pérdida del equilibrio o postura y puede dañarse.
- **Solamente utilice esta herramienta para el propósito especificado.** No dispare clavos al aire.
- **Use la herramienta neumática solamente para el propósito para el que fue diseñada.**
- **No utilice clavos endurecidos con esta herramienta.**
- **Solamente utilice los sujetadores recomendados para esta herramienta.** El uso de los sujetadores incorrectos podría hacer que los sujetadores no avancen bien, que se atoren y que los clavos no salgan de la herramienta siempre al mismo ángulo. Si los sujetadores no avanzan de manera uniforme y correcta, interrumpa su uso de inmediato. Los sujetadores atorados que avanzan de manera incorrecta pueden provocar lesiones serias.
- **Nunca utilice esta herramienta de ninguna forma que pueda dirigir un sujetador (clavo o grapa, según sea el caso) hacia ninguna otra cosa que no sea la pieza de trabajo.**
- **No use la herramienta como martillo.**
- **Siempre porte la herramienta por el mango.** Nunca porte la herramienta por la manguera de aire.
- **No altere ni modifique esta herramienta con respecto al diseño o funcionamiento original sin la aprobación del fabricante.**
- **Siempre tenga presente que el uso y manejo indebidos de esta herramienta puede causarle lesiones a usted y a otras personas.**
- **Nunca sujete con prensa o cinta adhesiva el gatillo ni el disparador de contacto en la posición de accionamiento.**
- **Nunca deje desatendida ninguna herramienta con la manguera de aire conectada.**
- **No utilice esta herramienta si no tiene una etiqueta de advertencia.**
- **No continúe usando ninguna herramienta que tenga fugas de aire o que no funcione correctamente.**

FUNCIONAMIENTO

- **Siempre suponga que la herramienta contiene sujetadores (clavos o grapas, según sea el caso).**
- **No traslade la herramienta de un lugar a otro con el dedo en el gatillo.** Podría producirse un disparo accidental.
- **Siempre maneje con cuidado la herramienta:**
 - Respete la herramienta como un elemento de trabajo.
 - Nunca participe en jugueteos.
 - Nunca tire del gatillo a menos que la punta de la herramienta esté dirigida hacia la superficie de trabajo.
 - Mantenga a las demás personas a una distancia segura de la herramienta mientras esté utilizándose ésta ya que puede ocurrir un accionamiento accidental de la misma, y posibles lesiones.
- **Es importante el método de disparo elegido. Estudie el manual, en el cual se describen las diferentes formas de disparar.**
- **No quite, altere, ni haga cualquier otra cosa que provoque los controles de funcionamiento dejen de funcionar.**
- **No utilice una herramienta si alguna parte de los controles de funcionamiento de esta no puede ser utilizada, está desconectada, fue modificada o no funciona correctamente.**
- **Las herramientas neumáticas están diseñadas para usarlas con una sola mano.** No sujete la herramienta por el frente del cargador. No ponga las manos, la cabeza ni ninguna otra parte del cuerpo cerca de la parte inferior del cargador, por donde salen los clavos de la herramienta, ya que se pueden producir lesiones serias.
- **No apunte la herramienta hacia usted mismo ni a ninguna otra persona, ya sea que contenga sujetadores (clavos o grapas, según sea el caso) o no.**
- **No accione la herramienta a menos que tenga la intención de introducir un sujetador (clavo o grapa, según sea el caso) en la pieza de trabajo.**
- **Siempre asegúrese de que el elemento de contacto con la pieza de trabajo esté totalmente colocada encima de ella.** Colocar el elemento de contacto con la pieza de trabajo solamente de manera parcial encima de ella podría causar que el sujetador no se introduzca en la pieza de trabajo por completo y provoque lesiones serias.
- **No introduzca clavos cerca del borde del material.** La pieza de trabajo puede partirse y causar que el clavo rebote y lesione a un compañero de trabajo. Tenga presente que el clavo puede seguir la fibra de la madera y salir inesperadamente por un lado de la pieza de trabajo.

REGLAS DE SEGURIDAD ESPECÍFICAS

- **Mantenga las manos y el resto del cuerpo lejos del área de la herramienta por donde se dispara el sujetador.** El disparador de contacto puede rebotar después de la retracción normal al introducirse un sujetador (clavo o grapa, según sea el caso), debido a lo cual puede dispararse por accidente un segundo sujetador y causar posibles lesiones.
- **Mantenga la cara y las demás partes del cuerpo lejos de la tapa de la herramienta al trabajar en espacios limitados.** En una retracción súbita la herramienta puede golpear el cuerpo, especialmente al clavar en material duro o denso.
- **Durante el uso normal de la herramienta, ésta se retrae de inmediato después de introducir un sujetador.** Así es el funcionamiento normal de la herramienta. No intente impedir la retracción presionando la clavadora contra la pieza de trabajo. Toda restricción impuesta a la retracción puede producir la impulsión de un segundo sujetador en la clavadora. Sujete firmemente el mango, permita a la herramienta que haga el trabajo y no coloque la otra mano encima de la herramienta ni cerca del escape de aire en ningún momento. La inobservancia de esta advertencia puede causar lesiones corporales serias.
- **No introduzca sujetadores encima de otros, ni con la herramienta a un ángulo excesivamente pronunciado, ya que esto puede causar la desviación de los sujetadores y con ello posibles lesiones.**

SUMINISTRO DE AIRE Y CONEXIONES

- **No utilice oxígeno, gases combustibles ni gases embotellados como fuente de energía para esta herramienta, ya que puede explotar y causar lesiones o la muerte.**
- **No use compresores de aire que puedan excederse de 200 psi. de presión ya que la herramienta puede estallar y causar lesiones.**

- **El conector de la herramienta debe no conservar presión una vez desconectado el suministro de aire.** Si se utiliza una conexión inadecuada, la herramienta puede permanecer cargada de aire después de desconectarla del suministro de aire y por lo tanto con capacidad de impulsar un sujetador (clavo o grapa, según sea el caso) y de causar lesiones.
- **Manguera de suministro de aire** - La manguera debe tener una presión mínima para funcionar de una potencia igual o mayor que la de la fuente de alimentación si un regulador falla, o una potencia de 1034,10 kPa, la que resulte mayor.
- **Siempre desconecte el suministro de aire:**
 - Antes de efectuar ajustes
 - Al dar servicio a la herramienta
 - Al despejar un atoramiento
 - Cuando no está usándose la unidad
 - Al trasladarse a un área de trabajo diferente, ya que puede accionarse accidentalmente la herramienta y causar lesiones.

CÓMO CARGAR LA HERRAMIENTA

- **No cargue los sujetadores en la herramienta cuando esté activado cualquiera de los controles de operación de la misma.**

Al cargar la herramienta:




- **Nunca coloque las manos ni ninguna parte del cuerpo en el área de la herramienta donde sale disparado el sujetador (clavo o grapa, según sea el caso).**
- **Nunca apunte la herramienta a nadie.**
- **No tire del gatillo ni oprima el disparador de contacto, ya que puede accionarse accidentalmente la herramienta y causar lesiones.**

GUARDE ESTAS INSTRUCCIONES.







- **Consúltelas con frecuencia y empléelas para instruir a otras personas que puedan utilizar esta herramienta. Si presta a alguien esta herramienta, facilítele también las instrucciones.**

SÍMBOLOS

Las siguientes palabras de señalización y sus significados tienen el objeto de explicar los niveles de riesgo relacionados con este producto.

SÍMBOLO	SEÑAL	SIGNIFICADO
	PELIGRO:	Indica una situación peligrosa inminente, la cual, si no se evita, causará la muerte o lesiones serias.
	ADVERTENCIA:	Indica una situación peligrosa posible, la cual, si no se evita, podría causar la muerte o lesiones serias.
	PRECAUCIÓN:	Indica una situación peligrosa posible, la cual, si no se evita, podría causar lesiones menores o leves.
	AVISO:	(Sin el símbolo de alerta de seguridad) Indica información importante no relacionada con ningún peligro de lesiones, como una situación que puede ocasionar daños físicos.

Es posible que se empleen en esta herramienta algunos de los siguientes símbolos. Le suplicamos estudiarlos y aprender su significado. Una correcta interpretación de estos símbolos le permitirá utilizar mejor y de manera más segura la herramienta.

SYMBOL	NAME	DESIGNATION/EXPLANATION
	Alerta de seguridad	Indica un peligro posible de lesiones personales.
	Lea el manual del operador	Para reducir el riesgo de lesiones, el usuario debe leer y comprender el manual del operador antes de usar este producto.
	Protección ocular	Siempre póngase protección ocular con protección lateral con la marca de cumplimiento de la norma ANSI Z87.1.
	Protección para los ojos, los oídos y la cabeza	Siempre póngase otro equipo de protección personal cuando sea necesario, como protección auditiva y casco.
	Mantenga lejos las manos	Mantenga las manos y el resto del cuerpo lejos del área de la herramienta por donde sale disparado el sujetador.
	Superficie caliente	Para reducir el riesgo de lesiones corporales o daños materiales evite tocar toda superficie caliente.

CALIFORNIA - PROPUESTA DE LEY NÚM. 65



ADVERTENCIA:

Este producto y algunos polvos generados al efectuarse operaciones de lijado, aserrado, esmerilado, taladrado y otras actividades de la construcción, contienen sustancias químicas reconocidas por el estado de California como causantes de cáncer, defectos congénitos y otras afecciones del aparato reproductor. **Lávese las manos después de utilizar el aparato.**

Algunos ejemplos de estas sustancias químicas son:

- plomo de las pinturas a base de plomo,
- sílice cristalino de los ladrillos, del cemento y de otros productos de albañilería, y
- arsénico y cromo de la madera químicamente tratada.

El riesgo de la exposición a estos compuestos varía, según la frecuencia con que se realice este tipo de trabajo. Para reducir la exposición personal, trabaje en áreas bien ventiladas, y con equipo de seguridad aprobado, tal como las caretas para el polvo especialmente diseñadas para filtrar partículas microscópicas.

GLOSARIO DE TÉRMINOS

Activar (los controles de accionamiento)

Es mover un control de accionamiento de manera que quede en una posición en la cual se accione la herramienta o cumpla con un requisito necesario para accionar la misma.

Accionar (la herramienta)

Es producir el movimiento de los componentes de la herramienta específicos para introducir un sujetador (clavo o grapa, según sea el caso).

Sistema de accionamiento

Es el gatillo, el disparador de contacto o cualquier otro control de accionamiento, empleado(s) por separado o en alguna combinación o secuencia, para accionar la herramienta.

- **Accionamiento secuencial sencillo**

Es un sistema de accionamiento en el cual hay más de un control de accionamiento y éstos deben ser activados en una secuencia específica para accionar la herramienta. Puede ocurrir un accionamiento adicional cuando un control de accionamiento específico, que no sea el disparador de contacto, se suelta y se vuelve a activar.

- **Accionamiento por contacto**

Es un sistema de accionamiento en el cual hay más de un control de accionamiento y éstos pueden ser activados en cualquier secuencia para accionar la herramienta. Puede ocurrir un accionamiento adicional cuando cualquier control de accionamiento se suelta y se vuelve a activar.

Conexión de entrada de aire

Refiriéndose a herramientas neumáticas, es la abertura a la cual se conecta el suministro de aire comprimido, normalmente por medio de un conector roscado.

Sujetador

Es una grapa, clavo, puntilla o cualquier otra pieza de unión diseñada y fabricada para utilizarse en las herramientas de este tipo.

Atoramiento

Es una obstrucción en las zonas de alimentación o introducción de sujetadores (clavos o grapas) de la herramienta.

Presión de aire máxima

Es la presión máxima permitida del aire comprimido, según las especificaciones del fabricante para la utilización de una herramienta.

Control de accionamiento

Es un control que, por separado o como parte de un sistema de accionamiento de una herramienta, sirve para accionarla.

Gatillo

Es un control de accionamiento de una herramienta el cual maneja con los dedos el operador.

Pieza de trabajo

Es el objeto específico en el cual se introduce un sujetador (clavo o grapa, según sea el caso) con una herramienta.

Disparador de contacto

Es un elemento de control de accionamiento o un conjunto de tales elementos, el cual es activado al tocar el material en el que va a introducirse el sujetador.

CARACTERÍSTICAS

ESPECIFICACIONES DEL PRODUCTO

Presión de funcionamiento..... De 70 a 120 psi
Capacidad del alimentador De 60 a 70 clavos
Diámetro del tallo mínima..... 0,113 pulg.
Consumo de aire
0,05 m³/cycle (0,17 pi³/cycle)/ciclo a 100 psi

Entrada de aire 1/4 pulg. NPT
Nivel de potencia ponderado del impulso
de sonido..... 117,9 dBA
Nivel de presión de sonido de la emisión 104,9 dBA
Peso 3,18 kg (7,0 lb)

FAMILIARÍCESE CON LA CLAVADORA DE ENTRAMAR

Vea la figura 1, página 15.

Para usar este producto con la debida seguridad se debe comprender la información indicada en la herramienta misma y en este manual, y se debe comprender también el trabajo que intenta realizar. Antes de usar este producto, familiarícese con todas las características de funcionamiento y normas de seguridad del mismo.

ESCAPE AJUSTABLE

El escape puede ajustarse a una variedad de posiciones, según las preferencias del operador.

AJUSTE DE LA PROFUNDIDAD DE INTRODUCCIÓN

El ajuste de la profundidad de introducción no requiere herramientas y permite al operador ajustar con precisión la profundidad de introducción del sujetador.

SEGURO DE DISPARO EN SECO

El seguro de disparo en seco impide el accionamiento de la herramienta cuando hay pocos sujetadores en la herramienta, con el fin de evitar falten clavos en el patrón de clavado y de prolongar la vida de servicio del motor.

HEX GRIP™

Mango ergonómico con sobremoldeado Hex Grip™ para mayor comodidad y agarre.

FILTRO DE AIRE EN EL MANGO

El filtro de aire en el mango se limpia automáticamente e impide la entrada de desechos para prolongar la vida de servicio de la herramienta.

RETÉN DE PISTÓN INTERNO

El retén interno del pistón permite generar una fuerza de introducción constante.

MECANISMO DE LIBERACIÓN DE ATASCOS

El mecanismo de liberación de atascos ofrece al operador un rápido acceso al área del punta de la herramienta para despejar atascos poco frecuentes.

AJUSTADOR DEL CARGADOR

La ajustador del cargador está diseñada para dar acomodo a una gran variedad de sujetadores. El ajustador del cargador ubicado en el cargador se ajusta automáticamente a todos los clavos, cualquiera sea su tamaño.

SILENCIADOR

El silenciador sirve para reducir el ruido durante la utilización de la herramienta.

ALMOHADILLA PROTECTORA

La almohadilla protectora evita dañar y marcar las maderas suaves con la herramienta.

CONECTOR GIRATORIO RÁPIDO

El conector giratorio rápido impide enredar la manguera.

GANCHO PARA VIGAS

La herramienta puede colgarse de una viga cuando se tiene desconectada y desocupada.

GATILLO DE MODO SELECCIONABLE

El gatillo de modo seleccionable permite al operador escoger accionamiento por contacto, para alta productividad, y accionamiento secuencial sencillo, para la colocación precisa de sujetadores.

UÑA DE CLAVADO OBLICUO

La uña de clavado oblicuo reduce el deslizamiento en las operaciones de clavado en ángulo.

ARMADO

ADVERTENCIA:

No use este producto si no está totalmente ensamblado o si alguna pieza falta o está dañada. El uso de un producto que no está adecuadamente y completamente ensamblado o posee partes dañadas o faltantes puede resultar en lesiones personales graves.

ADVERTENCIA:

No intente modificar este producto ni hacer aditamentos ni accesorios no recomendados para el mismo. Cualquier alteración o modificación constituye maltrato y puede causar una condición peligrosa, y como consecuencia posibles lesiones corporales graves.

Si hay piezas dañadas o faltantes, llame al 1-866-539-1710, para obtener ayuda.

FUNCIONAMIENTO

PELIGRO:

No utilice oxígeno, gases combustibles ni gases embotellados como fuente de energía para esta herramienta. La herramienta explotará y causará la muerte o lesiones serias.

ADVERTENCIA:

No permita que su familiarización con las herramientas lo vuelva descuidado. Tenga presente que un descuido de un instante es suficiente para causar una lesión seria.

ADVERTENCIA:

Siempre póngase protección ocular con la marca de cumplimiento de la norma ANSI Z87.1. La inobservancia de esta advertencia puede permitir que los objetos lanzados hacia los ojos puedan provocarle lesiones graves.

ADVERTENCIA:

Desconecte la herramienta del suministro de aire antes de abandonar el área de trabajo, de trasladar la herramienta a otro lugar y de alargar la herramienta a otra persona. La inobservancia de esta advertencia puede causar lesiones serias.

USOS

Esta herramienta puede emplearse para los fines enumerados abajo:

- Entramado
- Entarimado de pisos
- Terrazas exteriores de madera
- Madera producida tecnológicamente
- Subensambles de bloqueo
- Armado de puentes
- Armado de cajas y embalajes de madera
- Armaduras
- Armado y reparación de paletas de carga
- Contrapisos

FUNCIONAMIENTO

ADVERTENCIA:

Siempre póngase protección ocular. La protección ocular no les queda a todos los operadores de la misma forma. Asegúrese de que la protección ocular escogida disponga de protectores laterales u ofrezca protección contra desechos disparados provenientes tanto del frente como de los lados.

PREPARACIÓN DE LA HERRAMIENTA PARA UTILIZARLA

Vea la figura 2, página 15.

En condiciones normales, la herramienta debe lubricarse antes de conectarla a un suministro de aire. Agregue 30 gotas de aceite en el conector giratorio para lubricar la herramienta antes de usarla por primera vez. Después del uso inicial, mantenga la herramienta agregando aceite todos los días. Agregue 10 gotas una vez al día si su uso es mínimo, o dos veces al día si su uso es intensivo. Sólo agregue aceite según sea necesario. El exceso de aceite se acumulará dentro de la herramienta y se verá en el escape superior e inferior.

Antes de utilizar la herramienta, verifique el indicador del compresor de aire para asegurarse de que esté funcionando dentro del rango adecuado de 482,58 a 827,28 kPa. Asegúrese también de que la herramienta funcione correctamente. Complete para ello la **Lista de control diaria obligatoria** como se describe a continuación en este manual. No debe utilizarse una herramienta que funciona inadecuadamente.

NOTA: Utilice siempre el equipo de protección y respete todas las instrucciones de seguridad cuando use esta herramienta.

ALMOHADILLA PROTECTORA

Vea la figura 3, página 15.

La almohadilla protectora montada en la punta de la herramienta evita dañar y marcar las maderas suaves con la herramienta.

ADVERTENCIA:

Desconecte la herramienta del suministro de aire antes de desmontar o volver a montar la almohadilla protectora. La inobservancia de esta advertencia puede causar lesiones serias.

La almohadilla de la clavadora de entramar puede desmontarse; para ello, tire de ella para abrirla y retirarla por los costados de la uña de clavado oblicuo. Para volver a montar la almohadilla, acomódela en su lugar en los puntos de la uña.

Hay un lugar para guardar la almohadilla en el cargador.

AJUSTE DEL ESCAPE

Vea la figura 4, página 15.

El escape ajustable, situado en la tapa de la herramienta, permite al operador dirigirlo en la dirección deseada.

Para ajustarlo, gire la tapa del escape en la dirección deseada.

CÓMO CONECTAR LA HERRAMIENTA A UN SUMINISTRO DE AIRE

Vea la figura 5, página 15.

ADVERTENCIA:

Desconecte la herramienta del suministro de aire antes de abandonar el área de trabajo, de trasladar la herramienta a otro lugar y de alargar la herramienta a otra persona. La inobservancia de esta advertencia puede causar lesiones serias.

PELIGRO:

No utilice oxígeno, gases combustibles ni gases embotellados como fuente de energía para esta herramienta. La herramienta explotará y causará la muerte o lesiones serias.

Esta herramienta está diseñada para funcionar con aire comprimido, seco y limpio, a presiones reguladas entre 70 y 120 psi. La presión correcta de aire es la presión menor que sirva para efectuar el trabajo.

NOTA: Una presión de aire mayor de 120 psi puede dañar la herramienta.

La manguera de aire debe tener un acoplamiento que permita eliminar toda la presión de la herramienta al desconectarlo de la misma.

ADVERTENCIA:

Siempre utilice un acoplamiento que descargue todo el aire comprimido contenido en la herramienta al momento de desconectar de la misma el adaptador o acoplamiento de la manguera. Si utiliza un acoplamiento que no descargue el aire comprimido podría hacer funcionar accidentalmente la herramienta y producirse lesiones serias.

ADVERTENCIA:

No se suba a ningún equipo o andamio mientras acarree una herramienta conectada a una manguera de aire. La inobservancia de esta advertencia puede causar lesiones serias.

Conecte la herramienta al suministro de aire con un conector hembra rápido de 1/4 pulg. Puede utilizarse un conector hembra rápido de 3/8 pulg. si no hay un conducto de suministro de 1/4 pulg. No obstante, para lograr un desempeño óptimo de la herramienta se requieren un conducto de suministro y conexiones de 3/8 pulg.

ADVERTENCIA:

Desconecte la herramienta del suministro de aire antes de abandonar el área de trabajo, de trasladar la herramienta a otro lugar y de alargar la herramienta a otra persona. La inobservancia de esta advertencia puede causar lesiones serias.

FUNCIONAMIENTO

OPERACIÓN DE CARGA DE LOS CLAVOS EN LA HERRAMIENTA

Veá las figuras 6 y 7, página 15.

ADVERTENCIA:

El mecanismo de impulsión de la herramienta puede funcionar un ciclo al conectarse ésta al suministro de aire. Conecte siempre la herramienta a un suministro de aire presurizado antes de cargarla de clavos para evitar lesiones causadas por el ciclo de funcionamiento indeseado. Siempre asegúrese de que el alimentador de la herramienta esté vacío al inicio de cada serie de operaciones, antes de conectar la herramienta al suministro de aire.

- Conecte la herramienta al suministro de aire.
- Teniendo la punta de la herramienta apuntando en la dirección opuesta a donde se encuentra usted, introduzca una tira de clavos en el alimentador. Asegúrese de que los clavos estén apuntando hacia abajo, y en el ángulo mostrado.

ADVERTENCIA:

Mantenga la herramienta apuntando en la dirección opuesta a donde se encuentra usted y otras personas mientras carga los clavos. La inobservancia de esta advertencia puede causar lesiones corporales serias.

- Desplace el empujador completamente hasta la parte posterior del alimentador. Suelte el empujador y permita que empuje los clavos hasta el mecanismo de impulsión. El empujador se detiene al llegar al extremo de la tira de clavos.
NOTA: No permita que el empujador se regrese a su lugar.

ADVERTENCIA:

Solamente utilice los clavos recomendados para esta herramienta (consulte la guía de sujetadores). Si se utilizan otros clavos puede producirse un malfuncionamiento de la herramienta y posibles lesiones serias.

ADVERTENCIA:

Nunca cargue los clavos teniendo activado el disparador de contacto o el gatillo. La inobservancia de esta advertencia puede causar lesiones serias.

ADVERTENCIA:

No utilice clavos de un vástago menor de 2,87 mm (0.113 pulg.) de diámetro. Si lo hace, es posible que los clavos salgan de la herramienta antes de tiempo por el riel de la guía. No utilice clavos endurecidos con herramientas neumáticas. Esto puede llevar a un desgaste excesivo de la guía y provocar que los clavos sean despedidos por la parte posterior de ésta, lo que puede causar lesiones graves.

UTILIZACIÓN DEL GATILLO DE MODO SELECCIONABLE

Veá las figuras 8 y 9, página 16.

ADVERTENCIA:

Nunca detenga con una cuña ni de ninguna otra forma el mecanismo del disparador de contacto al utilizar la herramienta. La inobservancia de esta advertencia puede causar lesiones serias.

Esta herramienta se embarca de la fábrica con el gatillo de modo seleccionable puesto en modo de **accionamiento secuencial sencillo**. El gatillo de modo seleccionable puede ponerse también en modo de **accionamiento por contacto**.

MODO DE ACCIONAMIENTO SECUENCIAL SENCILLO

El accionamiento secuencial sencillo permite lograr la colocación más exacta del sujetador.

- Desconecte la herramienta del suministro de aire.
- Empuje el selector del modo de accionamiento hasta el modo de accionamiento secuencial sencillo (**T**).

ADVERTENCIA:

La clavadora no funcionará adecuadamente si el selector no es empujado completamente hasta el modo de accionamiento secuencial sencillo (**T**) o hasta el modo de accionamiento por contacto (**TTT**), or Contact Actuation mode. Siempre asegúrese de que el selector esté asentado debidamente para evitar el disparo inesperado de un sujetador (clavo, puntilla o grapa, según sea el caso) y posibles lesiones graves.

- Vuelva a conectar la herramienta al suministro de aire.
- Sujete firmemente la herramienta para mantener el control. Coloque la punta de la herramienta en la superficie de trabajo.
- Oprima la herramienta contra la superficie de trabajo para oprimir el disparador de contacto.
- Para introducir un sujetador, oprima el gatillo.
- Permita que la herramienta se retraiga de la superficie de trabajo al impulsar el sujetador.
- Siempre retire el dedo del gatillo una vez que se haya introducido la cantidad de clavos deseada.

MODO DE ACCIONAMIENTO POR CONTACTO

El accionamiento por contacto permite la colocación repetitiva de sujetadores a velocidad muy rápida.

- Desconecte la herramienta del suministro de aire.
- Empuje el selector del modo de accionamiento hasta el modo de accionamiento por contacto (**TTT**).
- Vuelva a conectar la herramienta al suministro de aire.
- Sujete firmemente la herramienta para mantener el control.
- Oprima el gatillo y no lo suelte. Oprima la herramienta contra la superficie de trabajo para oprimir el disparador de contacto e introducir un sujetador.
- Permita que la herramienta se retraiga de la superficie de trabajo al impulsar el sujetador.
- Siempre retire el dedo del gatillo una vez que se haya introducido la cantidad de clavos deseada.

NOTA: En el modo de accionamiento por contacto, la herramienta puede accionarse también presionando el disparador de contacto contra la superficie y oprimiendo el gatillo.

FUNCIONAMIENTO

ADVERTENCIA:

Durante el uso normal de la herramienta, ésta se retrae de inmediato después de introducir un sujetador. Así es el funcionamiento normal de la herramienta. No intente impedir la retracción presionando la clavadora contra la pieza de trabajo. Toda restricción impuesta a la retracción puede producir la impulsión de un segundo sujetador en la clavadora. Sujete firmemente el mango, permita a la herramienta que haga el trabajo y no coloque la otra mano encima de la herramienta ni cerca del escape de aire en ningún momento. La inobservancia de esta advertencia puede causar lesiones corporales serias.

SEGURO DE DISPARO EN SECO

Cuando el alimentador está casi vacío de clavos, el seguro de disparo en seco no permite continuar utilizando la herramienta.

Para volver a utilizar la herramienta, cárguela de clavos.

AJUSTE DE LA PRESIÓN DE AIRE

La cantidad presión de aire requerida depende del tamaño de los clavos y del material de la pieza de trabajo.

Comience por probar la profundidad de introducción introduciendo un clavo de prueba en el mismo tipo de material de la pieza de trabajo que va a usarse en el trabajo en la realidad.

Introduzca un clavo de prueba con la presión de aire puesta de 90 a 95 psi. Suba o baje la presión de aire hasta encontrar el nivel más bajo con el que pueda efectuarse el trabajo con resultados uniformes.

Puede ser posible lograr la profundidad deseada solamente con ajustes en la presión de aire. Si se necesitan ajustes más finos, use el ajuste de profundidad de introducción de la herramienta.

AJUSTE DE LA PROFUNDIDAD DE INTRODUCCIÓN

Vea la figura 10, página 16.

Puede ajustarse la profundidad de introducción del clavo. Se recomienda probar la profundidad de introducción en un pedazo de desecho para determinar la profundidad requerida en cada caso en particular.

Para determinar la profundidad, primero ajuste la presión de aire y luego introduzca un clavo de prueba. Para lograr la profundidad deseada, use el ajuste de profundidad de introducción de la herramienta.

- Desconecte la herramienta del suministro de aire.
- Para cambiar la profundidad de introducción, gire a la izquierda o derecha el selector de profundidad.
- Vuelva a conectar la herramienta al suministro de aire.
- Después de cada ajuste introduzca un clavo de prueba hasta lograr la profundidad deseada.

CÓMO CLAVAR CLAVOS EN ÁNGULO

Vea la figura 11, página 16.

Cuando clava clavos en ángulo, asegúrese de que la herramienta esté apuntando en dirección opuesta a donde se encuentran usted y otras personas.

Cuando clava clavos en ángulo, asegúrese de que la herramienta esté colocada correctamente. Clavar clavos a un ángulo excesivamente pronunciado puede:

- hacer que el clavo no se introduzca en la pieza de trabajo;
- hacer que el clavo rebote;
- hacer que la pieza de trabajo se agriete o astille, provocando que el clavo rebote hacia el operador.

ADVERTENCIA:

Nunca clave un clavo en ángulo inclinando la herramienta hacia adelante. Esto podría hacer que el clavo no se introduzca en la superficie de trabajo o rebote de la superficie de trabajo, causando lesiones serias.

ADVERTENCIA:

Desconecte la herramienta del suministro de aire antes de retirar los clavos o de desatorar uno atorado. La inobservancia de esta advertencia puede causar lesiones serias.

CÓMO RETIRAR LOS CLAVOS DE LA HERRAMIENTA

Vea la figura 12, página 16.

- Desconecte la herramienta del suministro de aire.
- Para retirar una tira de clavos de la herramienta, oprima el botón de aflojamiento del empujador. Al soltarse el empujador éste se desliza hacia arriba.

NOTA: Siempre mantenga los dedos fuera del carril de clavos del alimentador para evitar lesiones en caso de soltar accidentalmente el empujador.

- Oprima la orejeta del tope de clavos situado cerca del extremo del alimentador y deslice los clavos por la misma.
- Retire de la herramienta la tira de clavos.

CÓMO RETIRAR UN SUJETADOR ATORADO

Vea las figuras 13 y 15, página 17.

ADVERTENCIA:

Desconecte la herramienta del suministro de aire antes de desatorar un sujetador atorado. La inobservancia de esta advertencia puede causar lesiones serias.

Si se atora un clavo (u otro sujetador, según sea el caso) en la herramienta, desconecte la manguera de aire y mantenga la herramienta apuntando en la dirección opuesta a donde se encuentra usted mientras desatora el clavo.

FUNCIONAMIENTO

- Desconecte la herramienta del suministro de aire.
 - Retire de la herramienta todos los sujetadores.
 - Para acceder al clavo o sujetador atascados, desbloquee el mecanismo para liberar el atasco empujando el pestillo hacia la punta de la herramienta, hasta abrirla.
 - Retire el clavo doblado, utilizando pinzas de puntas de aguja si es necesario.
 - Después de retirar el clavo o sujetador, cierre el mecanismo para liberar el atasco y asegúrese de que este vuelva a su lugar.
- NOTA:** El mecanismo para liberar el atasco siempre debe estar cerrado al utilizar esta herramienta.

Si el atasco es serio o el clavo es difícil de retirar:

- Introduzca un destornillador Phillips #2 en el mecanismo de impulsión.
 - Golpee levemente destornillador contra una superficie dura. El destornillador introducido empuja hacia atrás la hoja de impulsión, y se libera el clavo atorado.
 - Después de retirar el clavo o sujetador, cierre el mecanismo para liberar el atasco y asegúrese de que este vuelva a su lugar.
- NOTA:** El mecanismo para liberar el atasco siempre debe estar cerrado al utilizar esta herramienta.

MANTENIMIENTO

ADVERTENCIA:

Para el servicio de la unidad sólo utilice piezas de repuesto RIDGID idénticas. El empleo de piezas diferentes puede causar un peligro o dañar el producto.

ADVERTENCIA:

Siempre póngase protección ocular con la marca de cumplimiento de la norma ANSI Z87.1. La inobservancia de esta advertencia puede permitir que los objetos lanzados hacia los ojos puedan provocar lesiones graves.

ADVERTENCIA:

Desconecte la herramienta del suministro de aire antes de efectuar tareas de mantenimiento. La inobservancia de esta advertencia puede causar lesiones serias.

MANTENIMIENTO GENERAL

Evite el empleo de solventes al limpiar piezas de plástico. La mayoría de los plásticos son susceptibles a diferentes tipos de solventes comerciales y pueden resultar dañados. Utilice paños limpios para eliminar la suciedad, el polvo, el aceite, la grasa, etc.

ADVERTENCIA:

No permita en ningún momento que fluidos para frenos, gasolina, productos a base de petróleo, aceites penetrantes, etc., lleguen a tocar las piezas de plástico. Las sustancias químicas pueden dañar, debilitar o destruir el plástico, lo cual a su vez puede producir lesiones corporales serias.

LUBRICACIÓN

Para obtener un desempeño óptimo de la herramienta se requiere una lubricación frecuente, pero no excesiva. El aceite para herramientas neumáticas de clavar vertido por la conexión del conducto de aire lubrica las partes internas. No utilice aceite con detergente ni aditivos, ya que estos aceites propician un desgaste rápido de los sellos y parachoques de la herramienta, lo cual causa un desempeño inadecuado de la herramienta y la necesidad de mantenimiento frecuente.

UTILIZACIÓN DE LA HERRAMIENTA EN TIEMPO FRÍO

Para utilizar la herramienta en tiempo frío, cerca de la temperatura de congelación y abajo de la misma, puede congelarse la humedad presente en el conducto de aire y puede impedir el funcionamiento de la herramienta. Recomendamos utilizar aceite para herramientas neumáticas o anticongelante permanente (etilenglicol) como aceite para clima frío.

AVISO:

Con el fin de evitar la formación de escarcha o hielo en las válvulas y mecanismos de operación de las herramientas que pudiera causar una falla de las mismas, no las guarde en lugares fríos.

NOTA: Algunos líquidos comerciales para secar conductos de aire dañan los sellos y las juntas tóricas. No use estos secadores de aire para baja temperatura sin verificar la compatibilidad de los mismos.

PRESIÓN Y VOLUMEN DEL SUMINISTRO DE AIRE

El volumen de aire es tan importante como la presión del mismo. El volumen de aire suministrado a la herramienta puede ser insuficiente a causa de conexiones y mangueras de tamaño insuficiente, o por los efectos de la suciedad y el agua presentes en el sistema. Toda limitación en el flujo de aire

MANTENIMIENTO

impide a la herramienta recibir un volumen adecuado de aire, incluso si está elevada la lectura de la presión. El resultado de tales circunstancias puede ser funcionamiento lento o potencia de introducción reducida. Antes de evaluar los problemas de la herramienta a causa de estos síntomas, revise el suministro de aire desde la herramienta hasta la fuente de suministro para ver si hay conectores limitantes o puntos bajos con contenido de agua y cualquier otra cosa que pueda impedir el flujo pleno de aire a la herramienta.

LISTA DE CONTROL DIARIA OBLIGATORIA

Veá las figuras 8 y 9, página 16.

- Desconecte el suministro de aire de la herramienta y retire todos los sujetadores.
- Verifique todos los tornillos, tuercas, pernos y vástagos de la herramienta. Si hay alguno suelto, debe ser ajustado con una llave del tamaño adecuado.
- Presione el elemento de contacto con la pieza de trabajo contra ella para asegurarse de que se mueva suavemente.
- Con el elemento de contacto con la pieza de trabajo presionado, oprima el gatillo. El gatillo debe moverse suavemente, sin atascarse.
- Seleccione el modo de accionamiento secuencial sencillo (T).
- Mientras la herramienta no esté cargada, conecte el suministro de aire adecuado (70 psi) a la herramienta.
- Comience a inspeccionar:
 - Sin oprimir el gatillo, desenganche el seguro de disparo en seco (si corresponde) y presione varias veces el elemento de contacto con la pieza de trabajo contra ella. La herramienta no debe funcionar.
 - Con el elemento de contacto con la pieza de trabajo sin contacto con ella, apunte la herramienta hacia abajo y hacia afuera y oprima el gatillo varias veces. Sostenga el gatillo en esta posición durante, al menos, 5 segundos. La herramienta no debe funcionar.

- Cargue los sujetadores, luego presione el elemento de contacto con la pieza de trabajo firmemente contra ella y oprima el gatillo. La herramienta debe funcionar.
- Con el elemento de contacto con la pieza de trabajo todavía presionado, suelte el gatillo. El impulsor debe volver a la posición superior.
- Desconecte el suministro de aire de la herramienta y retire todos los sujetadores.
- Seleccione el modo de accionamiento por contacto(TTT).
- Vuelva a conectar la herramienta al suministro de aire.
- Comience a inspeccionar:
 - Con el elemento de contacto con la pieza de trabajo sin contacto con ella, apunte la herramienta hacia abajo y hacia afuera. Desenganche el seguro de disparo en seco (si corresponde) y oprima el gatillo. La herramienta no debe funcionar.
 - Cargue los sujetadores, luego oprima el gatillo totalmente oprimido, presione el elemento de contacto con la pieza de trabajo contra una pieza de trabajo. La herramienta debe funcionar.
- Desconecte el suministro de aire de la herramienta y retire todos los sujetadores.
- Si la herramienta cumple con todos los requisitos de esta lista, está preparada para usar. Coloque el gatillo sobre la herramienta para manejarla de la forma más adecuada, según la aplicación.
- Ajuste la profundidad de introducción según la sección **Ajuste de la profundidad de Introducción** de este manual.
- Conecte la herramienta al suministro de aire y cargue los sujetadores adecuados para la aplicación deseada. Recorra esta lista de verificación antes de usar la herramienta cada día, o si se cayó o se dañó de alguna manera.

ACCESORIOS

Para pedir piezas y juegos de mantenimiento, llame al 1-866-539-1710.

Juego de mantenimiento del sistema impulsor	079005004702
Juego de mantenimiento general	079005004701
Juego de aceite y llave	079005004705

ADVERTENCIA:

Arriba se señalan los aditamentos y accesorios disponibles para usarse con esta herramienta. No utilice ningún aditamento o accesorio no recomendado por el fabricante de esta herramienta. El empleo de aditamentos o accesorios no recomendados podría causar lesiones serias.

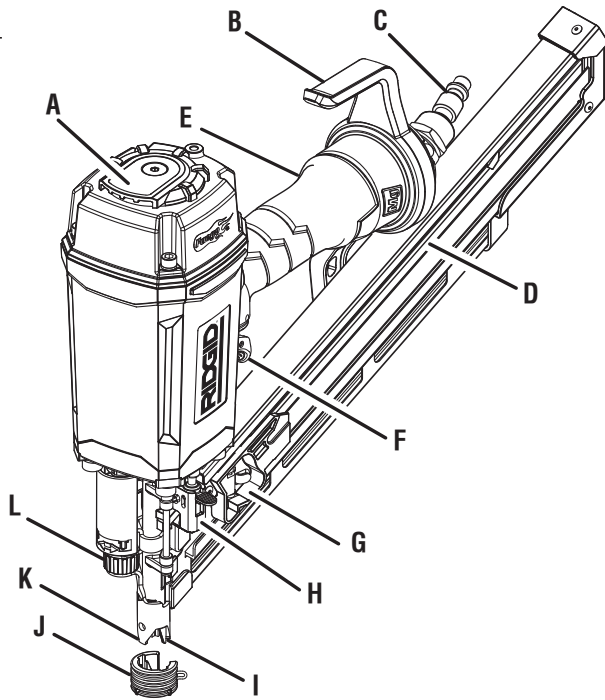
SOLUCIÓN DE PROBLEMAS

Fuga de aire cerca de la parte superior de la herramienta o junto al gatillo	Lubricación inadecuada Juntas tóricas o sellos gastados o dañados	Lubrique la herramienta Instale el juego de mantenimiento general
Fuga de aire cerca de la parte inferior de la herramienta	Tornillos sueltos Juntas tóricas o tope gastados o dañados	Apriete los tornillos Instale el juego de mantenimiento general
La herramienta no hace nada o funciona con lentitud	Suministro de aire inadecuado Lubricación inadecuada Juntas tóricas o tope gastados o dañados	Verifique que haya un suministro de aire adecuado Lubrique la herramienta Instale el juego de mantenimiento general
La herramienta sufre atoramientos con frecuencia	Sujetadores inadecuados Sujetadores dañados Está flojo el alimentador o los tornillos de la punta Alimentador sucio Sistema impulsor gastado o dañado	Verifique que sean del tamaño correcto los sujetadores Cambie los sujetadores Apriete los tornillos Limpie el alimentador Instale el juego de mantenimiento del sistema impulsor

**Este producto tiene una política de satisfacción garantizada de 90 días
y una garantía limitada de tres años.**

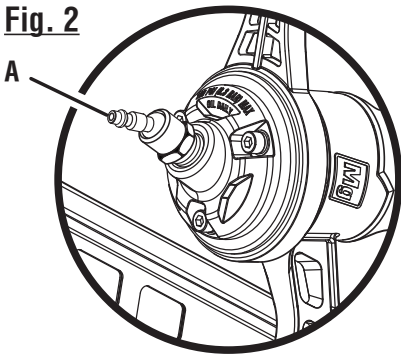
**Para obtener detalles sobre la garantía y la política de satisfacción garantizada,
diríjase a www.RIDGID.com o llame sin cargo al 1-866-539-1710.**

Fig. 1



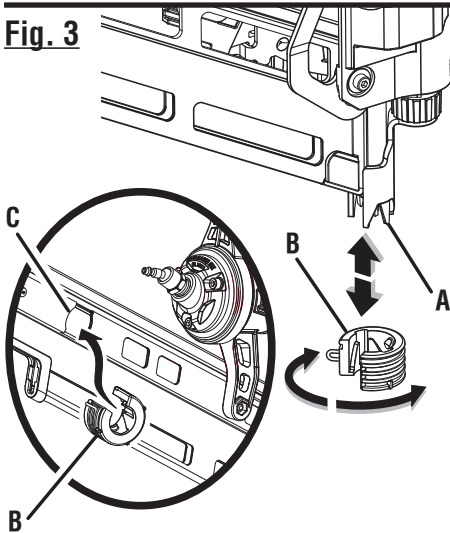
- A - Adjustable exhaust (échappement réglable, escape ajustable)
- B - Rafter hook (crochet à chevron, gancho para vigas)
- C - Quick-connect swivel connector (connecteur rapide pivotant, conector giratorio rápido)
- D - Magazine slide (coulisse du magasin, corredera del alimentador)
- E - Hex Grip™ overmold (surmoulage Hex Grip™, sobremoldeado Hex Grip™)
- F - Selectable trigger (gâchette à sélecteur, gatillo de modo seleccionable)
- G - Pusher (poussoir, empujador)
- H - Jam-clearing mechanism (mécanisme de déblocage, mecanismo de liberación de atascos)
- I - Toe-nailing claw (griffe de clouage en biais, uña de clavado oblicuo)
- J - No-mar pad (coussinet de protection, almohadilla protectora)
- K - Workpiece contact (contact de déclenchement, disparador de contacto)
- L - Depth of drive adjustment (réglage de profondeur d'enfoncement, ajuste de la profundidad de introducción)

Fig. 2



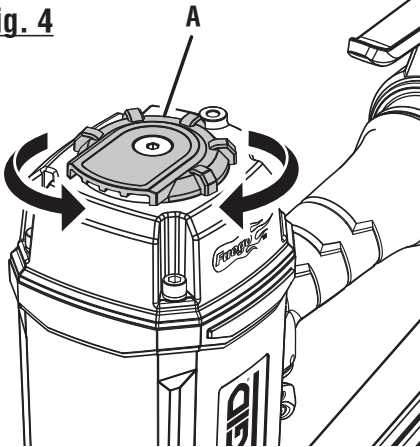
- A - Swivel connector (connecteur pivotant, conector giratorio)

Fig. 3



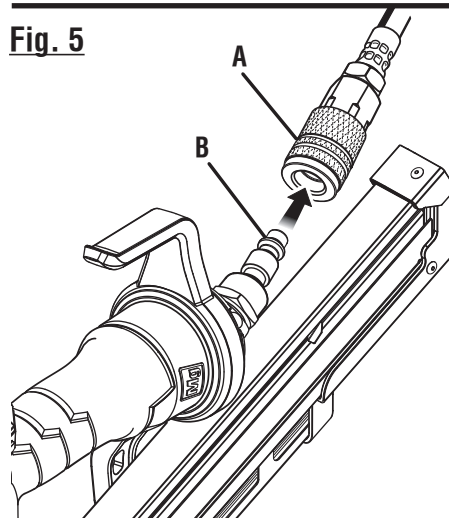
- A - Toe-nail claw (griffe de clouage en biais, uña de clavado oblicuo)
- B - No-mar pad (rangement du coussinet de protection, lugar para guardar la almohadilla protectora)
- C - No-mar pad storage (rangement du coussinet de protection, lugar para guardar la almohadilla protectora)

Fig. 4



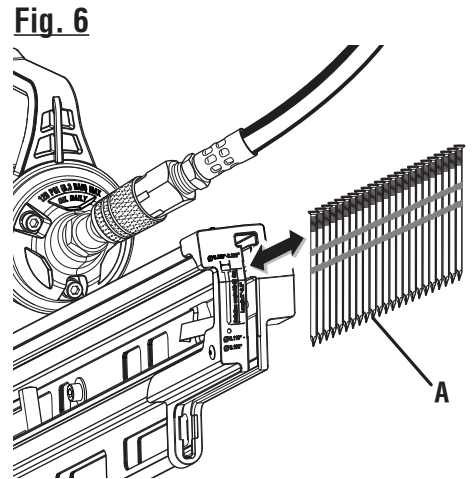
- A - Adjustable exhaust (échappement réglable, escape ajustable)

Fig. 5



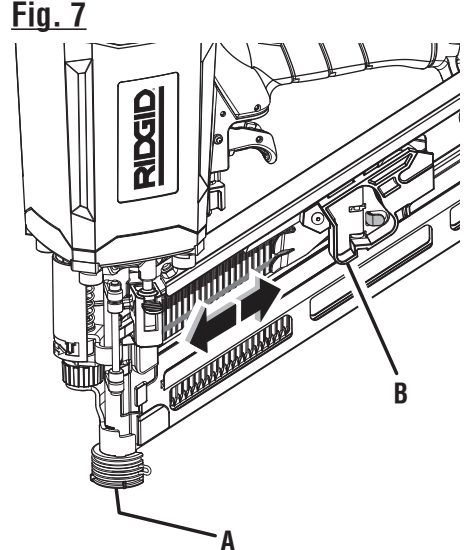
- A - Air hose connector (connecteur de flexible d'air, conector de la manguera de aire)
- B - Swivel connector (connecteur pivotant, conector giratorio)

Fig. 6



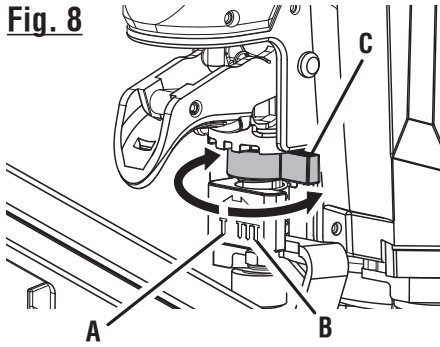
- A - Nail strip (bande de clous, tira declavos)

Fig. 7



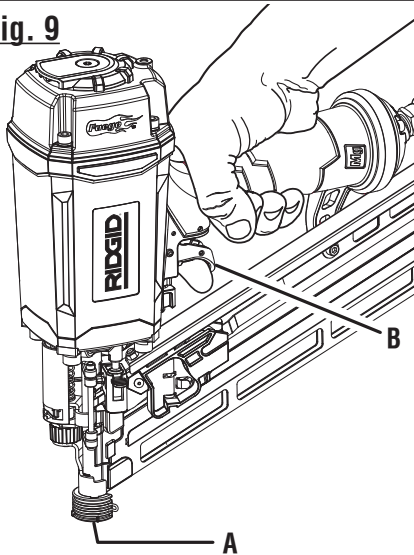
- A - Workpiece contact (contact de déclenchement, disparador de contacto)
- B - Pusher (poussoir, empujador)

Fig. 8



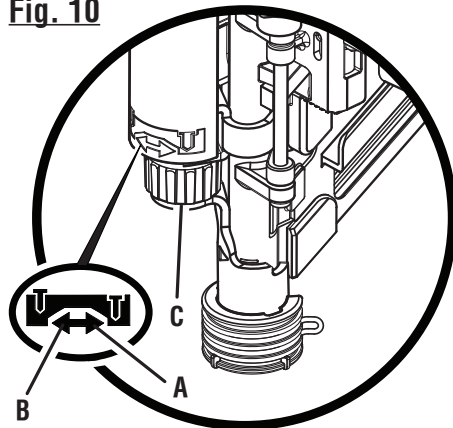
- A - Single sequential actuation mode (T) (déclenchement par séquence unique [T], accionamiento secuencial sencillo [T])
- B - Contact actuation (TTT) (déclenchement par contact [TTT], accionamiento por contacto [TTT])
- C - Actuation mode selector (sélection du mode de déclenchement, selector del modo de accionamiento)

Fig. 9



- A - Workpiece contact (contact de déclenchement, disparador de contacto)
- B - Trigger (gâchette, gatillo)

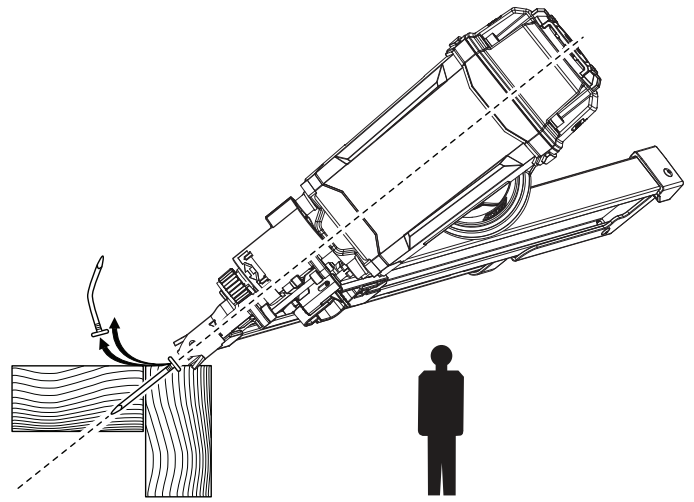
Fig. 10



- A - To increase depth (pour augmenter la profondeur, para aumentar la profundidad)
- B - To decrease depth (pour réduire la profondeur, para disminuir la profundidad)
- C - Drive depth adjustment (réglage de profondeur d'enfoncement, ajuste de la profundidad de introducción)

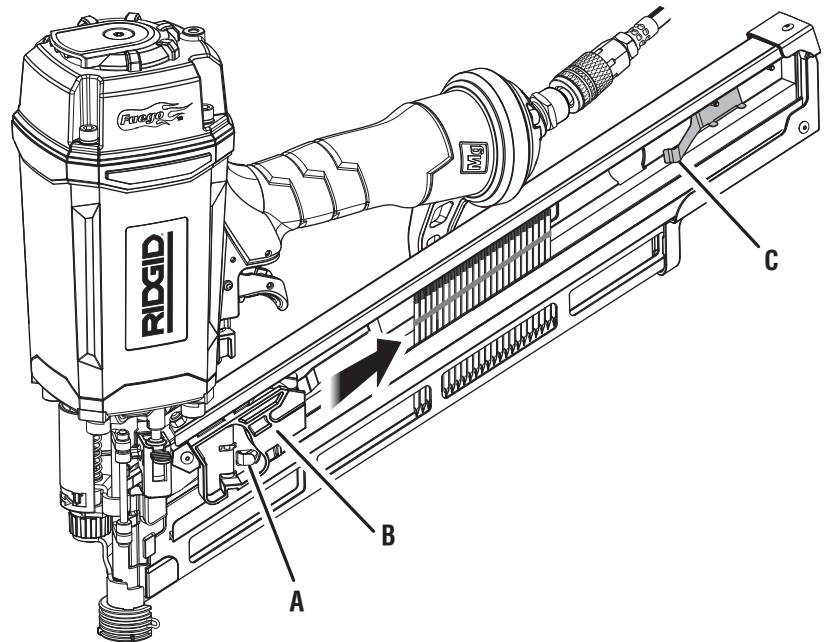
Fig. 11

DO NOT DRIVE NAILS IN THIS DIRECTION



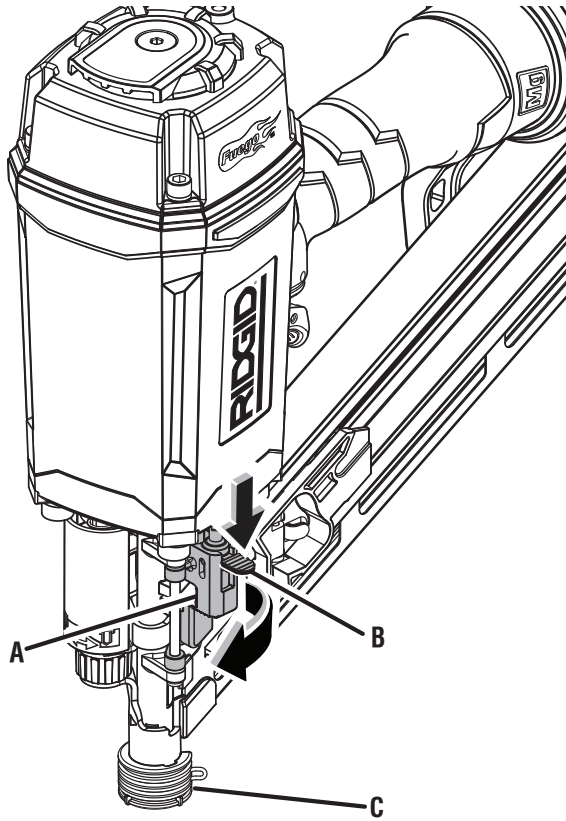
**NE PAS ENFONCER DES CLOUS DANS CETTE DIRECTION
NO CLAVE CLAVOS EN ESTA DIRECCIÓN**

Fig. 12



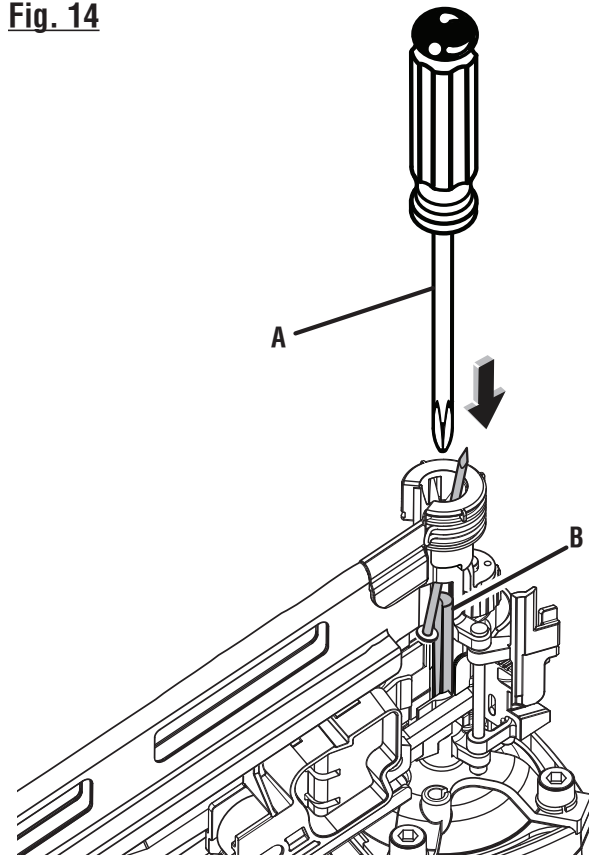
- A - Release button (bouton de déverrouillage, botón de afloje)
- B - Pusher (poussoir, empujador)
- C - Nail stop tab (languette de buté de clous, orejeta del tope de clavos)

Fig. 13



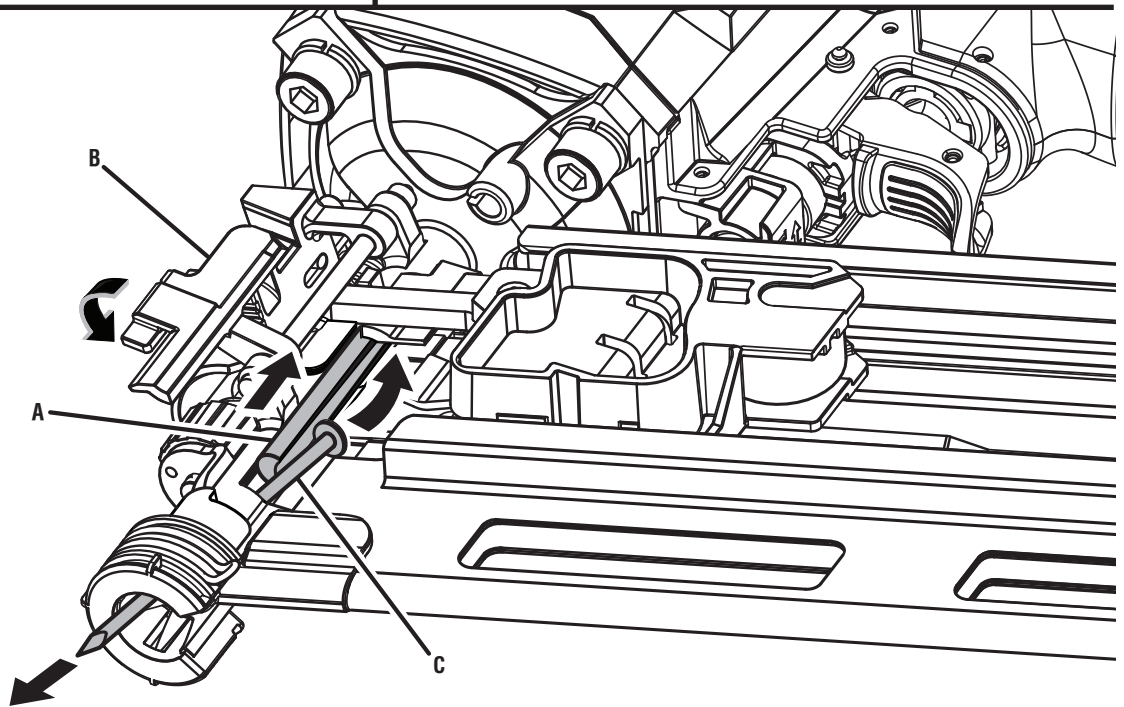
- A - Jam-clearing mechanism (mécanisme de déblocage, mecanismo de liberación de atascos)
- B - Latch (loquet, pestillo)
- C - Nose (tête, punta)

Fig. 14



- A - Screwdriver (tournevis, destornillador)
- B - Driver blade (lame d'entraînement, hoja de impulsión)

Fig. 15



- A - Driver blade (lame d'entraînement, hoja de impulsión)
- B - Jam-clearing mechanism (mécanisme de déblocage, mecanismo de liberación de atascos)
- C - Jammed nail (clou bloqué, clavo atascado)

OPERATOR'S MANUAL

MANUEL D'UTILISATION

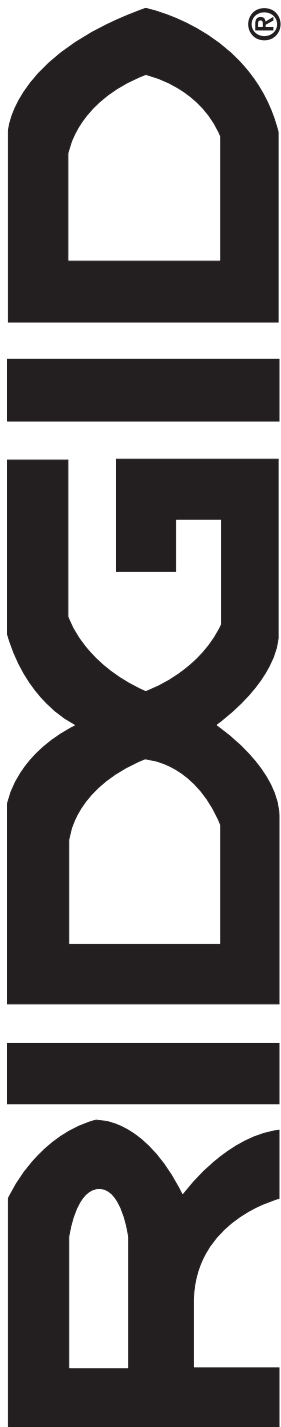
MANUAL DEL OPERADOR

FULL ROUND HEAD FRAMING NAILER

CLOUEUSE DE CHARPENTIER À TÊTE RONDE

CLAVADORA DE ENTRAMAR PARA CLAVOS DE CABEZA REDONDA NORMAL

R350RHE



Customer Service Information:

For parts or service, contact your nearest RIDGID authorized service center. Be sure to provide all relevant information when you call or visit. For the location of the authorized service center nearest you, please call 1-866-539-1710 or visit us online at www.ridgid.com.

The model number of this tool is found on a plate attached to the motor housing. Please record the serial number in the space provided below. When ordering repair parts, always give the following information:

Model No. _____

Serial No. _____

Service après-vente :

Pour acheter des pièces ou pour un dépannage, contacter le centre de réparations RIDGID agréé le plus proche. Veiller à fournir toutes les informations pertinentes lors de tout appel téléphonique ou visite. Pour obtenir l'adresse du centre de réparations agréé le plus proche, téléphoner au 1-866-539-1710, ou visiter notre site www.ridgid.com.

Le numéro de modèle se trouve sur une plaquette fixée au boîtier du moteur. Noter le numéro de série dans l'espace ci-dessous. Lors de toute commande de pièces détachées, fournir les informations suivantes :

No. de modèle _____

No. de série _____

Información sobre servicio al consumidor:

Para piezas de repuesto o servicio, comuníquese con el centro de servicio autorizado de productos RIDGID de su preferencia. Asegúrese de proporcionar todos los datos pertinentes al llamar o al presentarse personalmente. Para obtener información sobre el centro de servicio autorizado más cercano a usted, le suplicamos llamar al 1-866-539-1710 o visitar nuestro sitio en la red mundial, en la dirección www.ridgid.com.

El número de modelo de este producto se encuentra en una placa adherida al alojamiento del motor. Le recomendamos anotar el número de serie en el espacio suministrado abajo. Al ordenar piezas de repuesto siempre proporcione la siguiente información:

Núm. de modelo _____

Núm. de serie _____