

Pipe, Cable and Sonde Locator

Patent Pending



⚠ WARNING!

Read this Operator's Manual carefully before using this tool. Failure to understand and follow the contents of this manual may result in electrical shock, fire and/or serious personal injury.

Table of Contents

Recording Form for Machine Serial Number and Software Version	1
General Safety Information	
Work Area Safety	2
Electrical Safety	2
Battery Precautions.....	
Personal Safety.....	2
NaviTrack II Use and Care.....	3
Service	3
Specific Safety Information	
Important	3
Specifications and Standard Equipment	
Specifications	3
Standard Equipment	4
Optional Equipment.....	4
Frequencies	4
Icon Legend	5
NaviTrack II Components	6
Introduction to the NaviTrack II	
Installing/Changing Batteries	7
Folding Mast.....	7
NaviTrack II Modes	7
Display Elements	7
Set Up	10
Sonde Locating	
Location Methods.....	13
Tilted Sondes	14
Measuring Depth (Sonde Mode)	14
Clipping (Sonde Mode)	14
Line Tracing	
Active Line Tracing.....	16
Passive Line Tracing.....	18
Operating Tips for Active Line and Passive Line Tracing	19
Measuring Depth (Tracing Modes).....	20
Clipping (Tracing Modes)	20
Menus and Settings	20
Optional Features within the Display Elements Menu.....	22
Frequencies Selection Control	23
Information Screen and Restoring Defaults	24
Menu Tree.....	25
A Better Way of Locating	25
Advantages of the Omnidirectional Antenna.....	26
Proximity Signal	27
"Informational" Locating	27
Getting the Most Out Of the NaviTrack II	
More on Informational Locating.....	27
Notes on Accuracy	28
NaviTrack II Maintenance Instructions	
Transportation and Storage	29
Installing/Using Accessories	29
Maintenance and Cleaning	29
Locating Faulty Components	29
Service and Repair	30
Glossary – Definitions	30
Troubleshooting	32
Lifetime Warranty	Back Cover

NaviTrack® II

Pipe, Cable and Sonde Locator

Patent Pending



RIDGID[®]

NaviTrack® II

Record Serial Number below and retain product serial number for your records.
See information screen for serial number and software version.

Serial No.

Software Version

General Safety Information

WARNING! Read and understand all instructions. Failure to follow all instructions listed below may result in electric shock, fire and/or serious personal injury.

SAVE THESE INSTRUCTIONS!

Work Area Safety

- **Keep your work area clean and well lit.** Cluttered benches and dark areas may cause accidents.
- **Do not operate electrical devices or power tools in explosive atmospheres, such as in the presence of flammable liquids, gases, or heavy dust.** Electrical devices or power tools create sparks which may ignite the dust or fumes.
- **Keep bystanders, children, and visitors away while operating a tool.** Distractions can cause you to lose control.

Electrical Safety

- **Do not operate the system with electrical components removed.** Exposure to internal parts increases the risk of injury.
- **Avoid exposure to rain or wet conditions.** Keep battery out of direct contact with water. Water entering electrical devices increases the risk of electric shock.
- **Do not probe high voltage line.**

Battery Precautions

- **Use only the size and type of battery specified. Do not mix cell types (e.g. do not use alkaline with rechargeable).** Do not use partly discharged and fully charged cells together (e.g. do not mix old and new).
- **Recharge batteries with charging units specified by the battery manufacturer.** Using an improper charger can overheat and rupture the battery.
- **Properly dispose of the batteries.** Exposure to high temperatures can cause the battery to explode, so do not dispose of in a fire. Some countries have regulations concerning battery disposal. Please follow all applicable regulations.

Personal Safety

- **Stay alert, watch what you are doing and use common sense.** Do not use diagnostic tool while tired or under the influence of drugs, alcohol, or medications. A moment of inattention while operating tools may result in serious personal injury.

- **Gloves should always be worn for health and safety reasons.** Sewer lines are unsanitary and may contain harmful bacteria and viruses.
- **Do not overreach. Keep proper footing and balance at all times.** Proper footing and balance enables better control of the tool in unexpected situations.
- **Use safety equipment.** Always wear eye protection. Dust mask, non-skid safety shoes, hard hat, or hearing protection must be used for appropriate conditions.
- **Use proper accessories.** Do not place this product on any unstable cart or surface. The product may fall causing serious injury to a child or adult or serious damage to the product.
- **Prevent object and liquid entry.** Never spill liquid of any kind on the product. Liquid increases the risk of electrical shock and damage to the product.
- **Avoid Traffic. Pay close attention to moving vehicles when using on or near roadways. Wear visible clothing or reflector vests.** Such precautions may prevent serious injury.

NaviTrack II Use and Care

- **Use equipment only as directed.** Do not operate the NaviTrack II unless the owner's manual has been read and proper training has been completed.
- **Do not immerse the antennas in water. Store in a dry place.** Such measures reduce the risk of electric shock and instrument damage.
- **Store idle equipment out of the reach of children and other untrained persons.** Equipment is dangerous in the hands of untrained users.
- **Maintain the instrument with care.** Properly maintained diagnostic instruments are less likely to cause injury.
- **Check for breakage of parts, and any other conditions that may affect the NaviTrack II's operation.** If damaged, have the instrument serviced before using. Many accidents are caused by poorly maintained tools.
- **Use only accessories that are recommended by the manufacturer for the NaviTrack II.** Accessories that may be suitable for one instrument may become hazardous when used on another.
- **Keep handles dry and clean; free from oil and grease.** Allows for better control of the instrument.
- **Protect against excessive heat.** The product should be situated away from heat sources such as radiators,

heat registers, stoves or other products (including amplifiers) that produce heat.

Service

- **Diagnostic instrument service must be performed only by qualified repair personnel.** Service or maintenance performed by unqualified repair personnel could result in injury.
- **When servicing a tool, use only identical replacement parts.** Follow instructions in the Maintenance Section of this manual. Use of unauthorized parts or failure to follow maintenance instructions may create a risk of electrical shock or injury.
- **Follow instructions for changing accessories.** Accidents are caused by poorly maintained tools.
- **Provide proper cleaning.** Remove battery before cleaning. Do not use liquid cleaners or aerosol cleaners. Use a damp cloth for cleaning.
- **Conduct a safety check.** Upon completion of any service or repair of this product, ask the service technician to perform safety checks to determine that the product is in proper operating condition.
- **Damage to the product that requires service.** Refer servicing to qualified service personnel under any of the following conditions:
 - If liquid has been spilled or objects have fallen into product;
 - If product does not operate normally by following the operating instructions;
 - If the product has been dropped or damaged in any way;
 - When the product exhibits a distinct change in performance.

CAUTION

Remove batteries entirely before shipping.

If you have any questions regarding the service or repair of this machine, call or write to:

Ridge Tool Company
 Technical Service Department
 400 Clark Street
 Elyria, Ohio 44035-6001
 Tel: (800) 519-3456
 E-mail: TechServices@ridgid.com
 On the Web: www.ridgid.com or
 www.navitrack.com

In any correspondence, please give all the information shown on the nameplate of your tool including model

number and serial number and software version (See Figure 1).

Specific Safety Information

▲ WARNING

Read this operator's manual carefully before using the NaviTrack II. Failure to understand and follow the contents of this manual may result in electrical shock, fire and/or severe personal injury.

Call the Ridge Tool Company, Technical Service Department at (800) 519-3456 if you have any questions.

Important Notice

The NaviTrack II is a diagnostic tool that senses electromagnetic fields emitted by objects underground. It is meant to aide the user in locating these objects by recognizing characteristics of the field lines and displaying them on the screen. As electromagnetic field lines can be distorted and interfered with, it is important to verify the location of underground objects before digging.

Several utilities may be underground in the same area. Be sure to follow local guidelines and one call service procedures.

Exposing the utility is the only way to verify it's existence, location and depth.

Ridge Tool Co., its affiliates and suppliers, will not be liable for any injury or any direct, indirect, incidental or consequential damages sustained or incurred by reason of the use of the NaviTrack II.

Specifications and Standard Equipment

Specifications

Weight w/batteries.....5.2 lbs. (2.35 kg.)

Weight w/o batteries.....4.5 lbs. (2.04 kg.)

Dimensions:

Length15.0" (38.1 cm.)

Width7.2" (18.3 cm.)

Height (Extended)31.1" (78.9 cm.)

Height (Closed)19.1" (48.5 cm.)

Power Source.....4 C-size batteries, 1.5V Alkaline (ANSI/NEDA 14A, IEC LR14) or 1.2V NiMH or NiCad rechargeable batteries

Power Rating:.....6V, 550mA

Signal Strength.....Non-linear in function. (2000 is 10x higher than 1000, 3000 is 10x higher than 2000, etc.)

Operating Environment

Temperature.....-4°F to 122°F (-20°C to 50°C)
Humidity5% to 95% RH

Storage Temperature-4°F to 140°F (-20°C to 60°C)

Default Settings

The default settings for the locator are:

- Measured Depth units = Feet & Inches,
- Volume = 2 (two settings above mute),
- Backlight = Auto
- 512 Hz (Sonde) Default Mode

Optional Settings

The optional settings for the locator are:

- Measured Depth units = Meters,
- Volume = 0 (mute) to 5,
- Backlight = On, Off
- Mode: Active Line Trace, Passive Line Trace

Standard Equipment

Catalog No.	Description
96967	NaviTrack II Locator
12543	Surface Markers and Clip
22388	Molded Carrying Case
—	Operator's Manual (Downloadable @ www.navitrack.com)
—	Quick-Start Guide (Downloadable @ www.navitrack.com)

Optional Equipment

Catalog No.	Description
14818	NaviTrack Line Transmitter – 10 Watt
20168	NaviTrack Brick Transmitter – 5 Watt
20503	Inductive Clamp (4.75")
16728	Remote Transmitter (Sonde)
19793	Float Sonde (Package of 2)
12543	Surface Markers and Clip

Frequencies

Default Frequencies	
Sonde	512Hz
Active Line Trace.....	128Hz 1kHz, 8kHz, 33kHz, 262kHz (European: 93kHz)
Passive Line Trace	60Hz (9th)

Optional Frequencies	
Sonde	16Hz, 640Hz, 850Hz, 8kHz, 16kHz, 33kHz
Active Line Trace.....	200kHz
Passive Line Trace	50Hz (9th)






Nominal and Exact Frequency Values (NaviTrack II)

Sonde	16 Hz	16
	512 Hz	512
	640 Hz	640
	850 Hz	850
	8 kHz	8192
	16 kHz	16384
	33 kHz	32768
Active Line Trace	128 Hz	128
	1 kHz	1,024
	8 kHz	8,192
	33 kHz	32,768
	200 kHz	200000
	262 kHz	262,144
Passive Line Trace	50 Hz (9th harmonic)	450
	60 Hz (9th harmonic)	540 Hz
(European)	93 kHz	93,696.0
	93 kHz -B	93,622.9









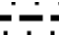










(See note on 93 kHz Frequencies on page 17.)

Icon Legend

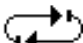




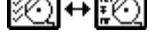




Keypad Icons

-  Up Key – Menu Navigation
-  Select Key – Menu Select
Sonde Mode: Force Depth/Re-center Audio
Line Trace Mode: Force Map Display on if Signal Strength is centered, Re-center Audio
-  Down Key – Menu Navigation
-  Power ON/OFF Key
-  Menu Key
-  Frequency Key
-  Sound Key

Display Icons

-  Sonde Frequency
-  Active Trace Frequency
-  Proximity Signal
-  Signal Strength
-  Measured Depth/Distance
-  Signal Angle Indicator (Sonde Mode)
-  Signal Angle Indicator (Trace Mode)
-  Pole Icon
-  Sonde Equator Line
-  Audio Level
-  Battery Level
-  Low Battery Warning (Flashing)
-  Level Pointer (Signal Strength)
-  Water Mark (Signal Strength)
-  No Sonde Signal Present
-  No Trace Signal Present
-  Tracing Line (Lower Antenna Signal)
-  Distortion Line (Upper Antenna Signal)
-  Signal Clipping

Menu Icons

-  Factory Default Reset
-  Menu Check Box
-  Tools Menu
-  Backlight Settings
-  Screen Contrast Adjust
-  Screen Setup
-  Menu Setup
-  Information Screen
-  Auto Exit Menu Timeout Counter
-  Exit/Go Up One Level (Press Menu Key)

NaviTrack II Components



NOTE: USB/Serial Ports are for loading new software

Figure 1

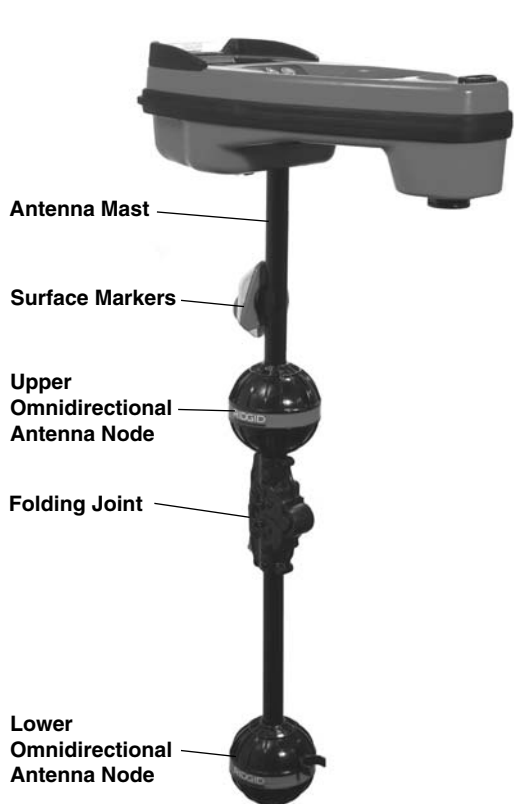


Figure 2



Figure 3

Introduction to the NaviTrack II

Installing/Changing Batteries

To install batteries into the NaviTrack II turn the unit over to access the battery compartment. Turn the knob on the battery cover counter-clockwise. Pull straight up on the knob to remove the door. Insert the batteries as shown on the inside decal and make sure they drop to full contact.

Fit the door into the case and turn the knob clockwise while lightly pressing down to close. The battery cover can be installed in either orientation.



Figure 4 – Battery Case

When the NaviTrack II is powered on, it takes a few seconds to check the batteries. Until then the battery level will show as “empty”.

CAUTION Do not allow debris or moisture into battery compartment. Debris or moisture may short the battery contacts, leading to rapid discharge of the batteries, which could result in electrolyte leakage or risk of fire.

Folding Mast

To begin operation, unfold the antenna mast and lock the folding joint into place. When locating is complete, press the red release lever to fold the antenna mast for storage.

IMPORTANT! Do not snap or whip the NaviTrack II mast to open or close it. Open it and close it by hand only.

NOTE! Avoid dragging the lower antenna node on the ground while locating with the NaviTrack II. It may cause signal noise which will interfere with results, and may eventually damage the antenna.

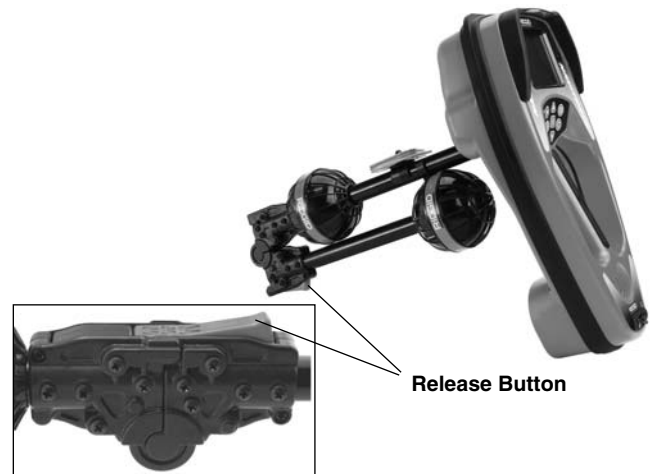


Figure 5 – Folding Antenna Mast and Release Button

NaviTrack II Modes

The NaviTrack II operates in three distinct modes. They are:

1. Sonde Mode, used for locating Sondes in pipes, conduits, or tunnels that are non-conductive or cannot otherwise be traced.
2. Active Line Trace Mode, used when a chosen frequency can be put onto a long conductor using a line transmitter, for locating conductive pipes, lines or cables.
3. Passive Trace Mode, used for tracing electrical lines that are already carrying 60 Hz current (U.S.) or 50 Hz current (Europe).

Note that the two Tracing modes, Active and Passive, are identical except for the frequencies used. No transmitter is used in Passive Trace mode.

Display Elements

Beginning operators or experienced operators can use the NaviTrack II with equal ease. While the NaviTrack II offers advanced features that make the most complex locate easier, many of its features can be turned off or hidden to make the display simpler when doing basic locating in uncomplicated situations.

The “basic features” of the NaviTrack II are on by default. They can be customized easily to suit the user’s requirements. The use of the various elements displayed is covered in separate later sections of the manual.

Common Display Elements

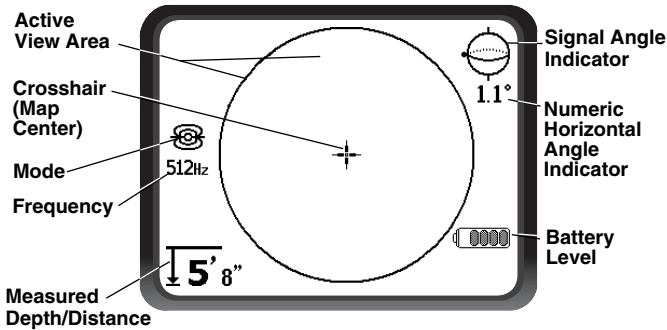




Figure 6 – Common Display Elements

The display screen in Sonde, Active Line Trace or Passive Line Trace mode will show the following features:


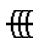

 **Signal Angle Indicator** – Angle toward the field’s center graphically displayed; numeric value displayed below the graphic.

 **Battery Level** – Indicates level of battery power.

 **Measured Depth/Distance** – Displays the measured depth when receiver is touching the ground directly over signal source. Displays computed distance when the antenna mast is pointed at signal source in some other manner. Displays feet/inches (U.S.A. default) or meters (European default).

NOTE! Measured Depth is a *computed* number which may vary from the physical depth or distance depending on field strength and distortion.

Frequency – Shows current frequency setting in hertz or kilohertz.

Mode – Icon for Sonde , Line Trace , or Passive Line Trace  mode.

+ Crosshair (Map Center) – shows your position relative to the target center.

Active View Area – The area within the circle in the center of the operating screen, in which Sonde and Pole icons, Tracing and Distortion lines appear.

Display Elements: Sonde Mode

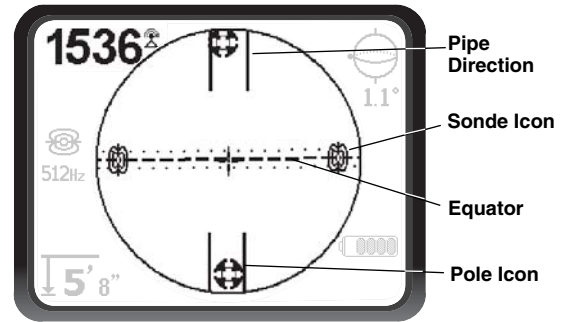







Figure 7 – Display Elements: Sonde Mode

 **Signal Strength** – Strength of signal as sensed by the lower Omnidirectional antenna.

 **Pipe Direction** – Represents the approximate direction of the pipe in which the sonde is lying.

 **Sonde Icon** – Appears when approaching the location of a Sonde.

 **Equator** – Represents the mid-line of the Sonde’s field perpendicular to the axis of the Poles. (See on page 14.)

 **Pole Icon** – Represents the location of either of the two Poles of the Sonde’s dipole field. (See on page 12.)

Display Elements: Active Line Trace Mode

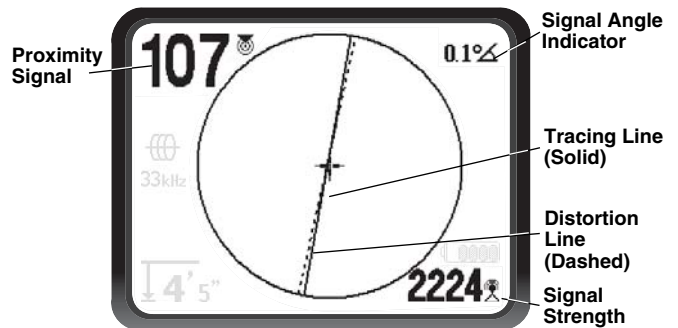





Figure 8 – Display Elements (Line Trace Mode)

In Active Line Trace Mode the following features will also be displayed:

 **Proximity Signal** – A numerical indication showing how close the signal source is to the locator. Displays from 1 to 999 (Line Trace modes only).

 **Signal Strength** – Strength of signal as sensed by the lower Omnidirectional antenna.

 **Distortion Line (Upper Antenna Signal)** – shows the apparent direction of the field as detected at the upper antenna. If out of alignment with the Tracing line, indicates a distorted field.

— **Tracing line (Lower Antenna Signal)** – shows the apparent direction of the field as detected at the lower antenna.

Display Elements: Passive Trace Mode

The screen elements in Passive Trace Mode are the same as those seen in Active Line Trace mode.

NOTE! Mode is determined by the type of target source (Sonde or Line). For example, selecting the 512 Hz frequency from the Sonde mode section of the frequency menu puts the SR-20 into Sonde mode. (A frequency must be selected from the correct category if it appears in more than one category, such as 33 kHz).

Default Frequencies

The Master Frequency Menu contains a large set of frequencies, but only some of these are made currently available. They are made “Currently Available” by checking them in the Master Frequency Menu, *as described on page 23*. The frequencies which are currently available appear on the Main Menu when the Menu Key is pressed.

“Currently Available” frequencies can be checked in the Main Menu, in which case they will appear when using the Frequency Key. If they are unchecked in the Main Menu, they will not appear when using the Frequency Key to cycle through frequencies. Frequencies which appear in the Main Menu and are checked for activation are called “Checked-Active”.

Frequencies that are “Checked-Active” can be cycled through simply by pressing the Frequency Key (*See Figure 9*). A frequency chosen by pressing the Frequency Key becomes the “In Use” frequency.

Currently available frequencies in default setting include:

Sonde Mode

- 512 Hz

Active Line Trace Mode

- 128 Hz
- 33 kHz
- 1 kHz
- 8 kHz
- 262 kHz

Passive Line Trace Mode

- 60 Hz (Power)

The use of these features is described in the Sonde Locating, Active Line Tracing, and Passive Line Tracing sections.

Keypad

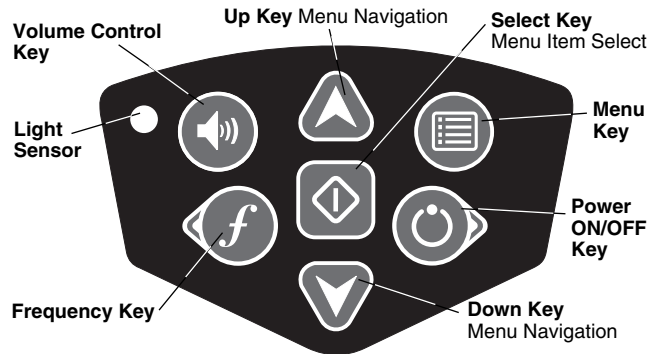







Figure 9 – Keypad





 **Power ON/OFF** – Powers NaviTrack II ON. Powers the NaviTrack II down after a 3-second countdown. The countdown can be interrupted before shutdown by pressing any key.

 **Up and Down Arrows** – Used for locating choices during menu selection; used for setting the Volume Control when the Sound Key has been pressed.

 **Select Key** – Used to make a choice during Menu selection; in normal operation, used to force a Measured Depth reading and re-center audio tone. Can be used to force a depth display. Sets volume level in Sound menu.

 **Menu Key** – Used to display a “tree” of choices including frequency selections, display element choices, brightness and contrast, and restoring default settings. Within a menu, press to move up one level.

 **Volume Key** – Used to raise or lower the volume setting; will cycle the volume from current setting by steps, increasing to maximum and then off. Pressing the volume key opens the volume control panel if it is closed, and closes it if it is open. Volume can also be raised and lowered using the Up and Down Keys when in the Volume control panel.

 **Frequency Key** – Used to set the “In-Use” frequency of the NaviTrack II from the set of checked-active frequencies. The list of frequencies that have been set to Checked-Active status can be modified via the Menu Key. Frequencies are grouped into three sets: Sonde Frequencies () , Line Trace Frequencies () and Power Frequencies () . Each press of the Frequency Key cycles to the next Checked-Active frequency.

Light Sensor – Detects light levels and controls the LCD backlight, which is set to come on under fairly dark conditions. The backlight can be forced on by covering the sensor with your thumb.


Operation Time

Using alkaline cells, typical operation time is from about 12 to 24 hours depending on sound volume and how often the backlight is on. Other factors that affect the operation time will include chemistry of the battery (many of the new high performance batteries, such as the “Duracell® ULTRA” last 10% - 20% longer than conventional alkaline cells under high demand applications). Operation at lower temperatures will also reduce battery life.

The NaviTrack II display can also show random symbols when the battery power is too low to drive the internal logic circuits correctly. This is remedied by simply putting fresh batteries into the unit.

To preserve battery life the NaviTrack II will automatically shut down after one hour of no key presses. Simply turn the unit on to resume use.

Low Battery Warning

When the battery gets low, a battery icon  will appear in the map area on the screen. This indicates that the batteries need to be changed and that the unit will soon shut down.

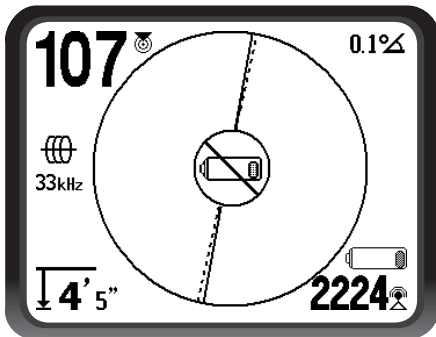


Figure 10 – Display Low-Battery Warning

Just before complete shut down, there will be a non-interruptible power down sequence.

NOTE! Voltage on rechargeable batteries may sometimes drop so quickly that the unit will just shut down. The unit will turn off and restart. Just replace the batteries and turn the unit back ON.

Starting Up


After pressing the Power  Key on the keypad, the RIDGID® logo displays, and the software version number will appear on the left of the screen.



Figure 11 – Start-up Screen

In the European version, the screen will include a “CE” logo:



Figure 12 – European Start-up Screen

Make a note of the software version in the box on *page 1*. If technical support from Ridge is needed it will be helpful to have it available.

Set Up

Once the NaviTrack II is up and running, the next step is to set up the frequencies that match the Sonde, transmitter, or line to be located.

Each frequency is selected for use by choosing it from a list in the Main Menu. If the box on the Main Menu for that frequency is checked, the frequency is in Checked-Active status.

Checked-Active frequencies are already selected for use and appear in sequence by pressing the Frequency Key *f*. (For example, the Sonde frequency of 512 kHz is available by pressing the Frequency Key.)

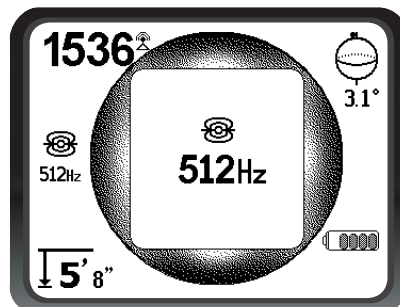


Figure 13 – Sonde Frequency Selected With Frequency Key

Activating Frequencies

Frequencies can be chosen for the set of Checked-Active frequencies so they will be available using the Frequency Key *f*. Frequencies can also be deactivated to keep the frequency set smaller.

Each frequency is activated by choosing it from a list in the Main Menu (See Figure 15). Frequencies are grouped by category:

Sonde 

Active Line Trace 

Passive Line Trace (Power) 

1. Push the Menu Key:



Figure 14 – Menu Key

The Main Menu is then activated:

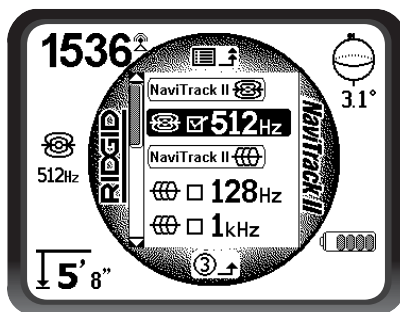


Figure 15 – Main Menu

2. Using the up and down arrows, highlight the frequency desired. In Figure 16, below, the operator is activating a 128 Hz frequency.

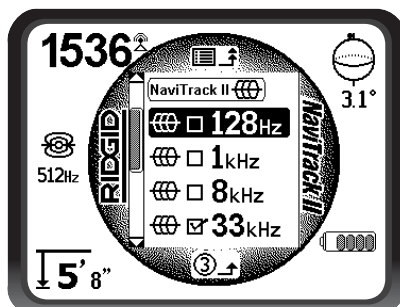


Figure 16 – Highlighting a Desired Frequency (128 Hz)

3. Press the Select Key (shown below) to check the box for each frequency intended for use.



Figure 17 – Select Key

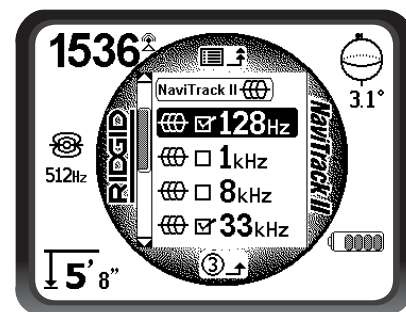


Figure 18 – Desired Frequency Checked

4. Frequencies that have been selected for use will show a check in the box next to them. These are “Checked-Active” frequencies.
5. Press the Menu Key again to accept the choices and exit. The last selected Checked-Active frequency will now be the “In-Use” frequency.



Figure 19 – Menu Key

The Main Menu lists all frequencies currently available for activation. For information on adding additional frequencies to the Main Menu so they can be chosen for activation, see “Frequencies Selection Control” on page 23. (European versions of the NaviTrack II include a 93 kHz Line Tracing frequency. See the note on page 17 on using this frequency.)

Sounds of the NaviTrack II

The sound level is driven by the proximity to the target. The closer to the target, the higher the sound pitch will be. A rising tone indicates increasing signal.

In Sonde Mode, if the sound level reaches its highest point, it will “re-scale” to a medium level and continue signaling from the new starting point.

In Sonde Mode the pitch will “ratchet” upward. That is, it will rise and fall in pitch while approaching the Sonde. Moving away from the Sonde, it will drop to a lower pitch and remain there as long as one moves away from the Sonde. Moving back toward the Sonde again it will resume rising and falling starting from the level it had reached previously. This serves as a guide to when you are getting closer or further away from the Sonde.

In Line Trace or Passive Line Trace mode, sound is on one continuous curve and does not re-scale.

If desired, force the sound to re-center at a medium level (in any mode) by pressing the Select Key during operation.

Sonde Locating

The NaviTrack II can be used to locate the signal of a Sonde (transmitter) in a pipe, so that its location can be identified above ground. Sondes can be placed at a problem point in the pipe using a camera push rod or cable. They can also be flushed down the pipe. A Sonde is often used for locating non-conductive pipe and conduit.

IMPORTANT! Signal strength is the key factor in determining the Sonde’s location. To ensure an accurate locate take care to maximize the Signal Strength prior to marking an area for excavation.

The following assumes that the Sonde is in a horizontal pipe, the ground is approximately level and the NaviTrack II is held with the antenna mast vertical.

The field of a Sonde is different in form than the circular field around a long conductor such as a pipe or cable. It is more like the field around the Earth, with a North Pole and a South Pole.

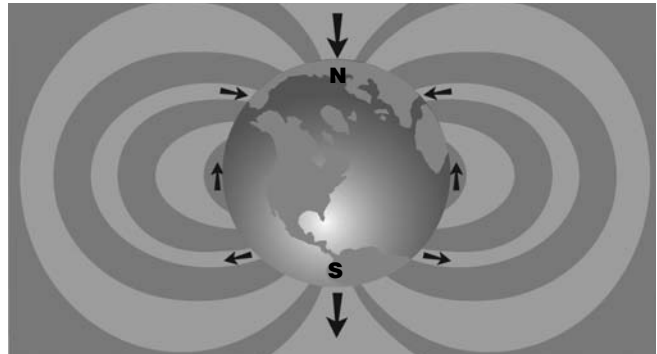


Figure 20 – Earth's Dipole Field

In the Sonde’s field, the NaviTrack II will detect the points at either end where the field lines curve down toward the vertical, and it will mark these points on the map display with a “pole” icon (⊕). The NaviTrack II will also show a line at 90 degrees to the Sonde, centered between the Poles, known as the “equator”, much like the Equator on a map of the Earth if the planet were viewed sideways.

Note that because of the NaviTrack’s Omnidirectional antennas, the signal stays stable regardless of orientation. This means the signal will increase smoothly approaching the Sonde, and decrease smoothly moving away.

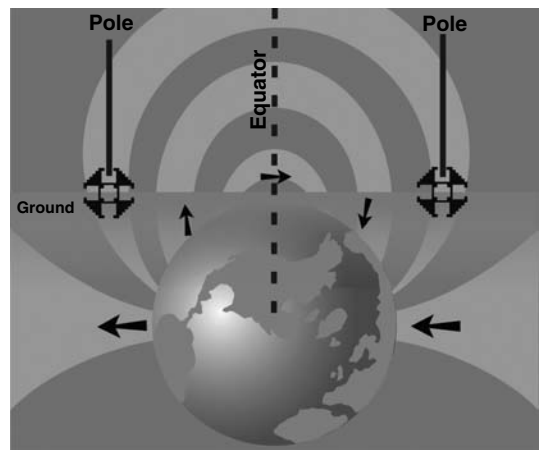


Figure 21 – Earth's Dipole Field Sideways

When locating a Sonde set up the locate in the following manner:

Activate the Sonde **before** putting it in the line. Select the same frequency on the NaviTrack II and make sure it is receiving the signal.

After the Sonde has been sent into the pipe, go to the suspected Sonde location. If the direction of the pipe is unknown, push the Sonde a shorter distance into the line (~15 feet from the access is a good starting point).

Location Methods

There are three major parts to locating a Sonde. The first step is to localize the sonde. The second part is pinpointing. The third is verifying its location.

Step 1: Localize the sonde

- Hold the NaviTrack II so the antenna mast is pointing outward. Sweep the antenna mast in the suspected direction of the Sonde while observing the Signal Strength and listening to the sound. The signal will be highest when the antenna mast is pointing in the direction of the Sonde.
- Lower NaviTrack II to its normal operating position (antenna mast vertical) and walk in the direction of the Sonde. Approaching the Sonde, the Signal Strength will increase and the audio tone will rise in pitch. Use the Signal Strength and the sound to maximize the signal.
- Maximize the Signal Strength. When it appears to be at its highest point, place the NaviTrack II close to the ground over the high-signal point. Be careful to hold the receiver at a constant height above the ground, as distance affects Signal Strength.
- Note the Signal Strength and move away from the high point in all directions. Move the NaviTrack II far enough in all directions to verify that the Signal Strength drops significantly on all sides. Mark the point of highest Signal Strength with a yellow Sonde Marker (clipped to antenna mast for convenience). This is the suspected Sonde location.

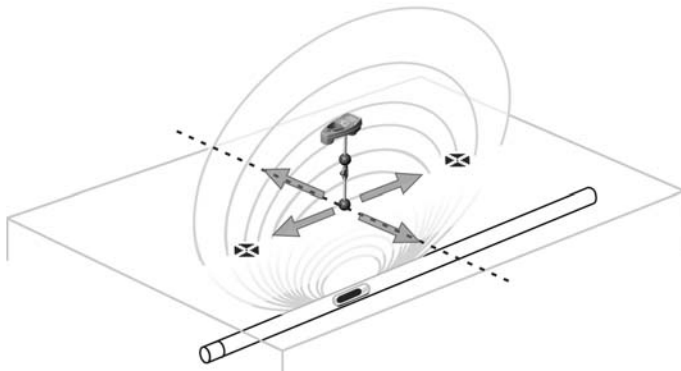


Figure 22 – Poles and Equator of a Sonde

If while “getting closer” the Equator appears on the screen follow it in the direction of an increasing Signal Strength to localize the Sonde.

If a Pole appears before the Equator appears, localize the Sonde by centering the Pole in the cross-hairs.

Step 2: Pinpoint the Sonde

The Poles should appear on either side of the maximum signal point, an equal distance on either side if the Sonde is level. If they are not visible on the screen at the point of maximum Signal Strength, move from the maximum point perpendicular to the dotted line (Equator) until one appears. Center the locator over the Pole.

Where the Poles occur depends on the Sonde’s depth. The deeper the Sonde, the further away from it the Poles will be.

The dotted line represents the Equator of the Sonde. If the Sonde is not tilted, the Equator will intersect the Sonde at maximum Signal Strength and minimum Measured Depth.

NOTE! Being on the Equator does not mean that the locator is over the Sonde. Always verify the locate by maximizing Signal Strength and marking both Poles.

- Mark the first Pole location found with a red triangular Pole marker. After centering on the Pole, a double-line indicator will appear. This line represents how the Sonde is lying underground, and in most cases also represents the pipe’s approximate direction.
- When the locator gets close to a Pole, a zoom ring will appear centered on the Pole, allowing precision centering.
- The second Pole will be a similar distance from the Sonde location in the opposite direction. Locate it in the same manner and mark it with a red triangular marker.
- If the Sonde is level, the three markers should be aligned and the red Pole markers should be similar distances from the yellow Sonde marker. If they are not, a tilted Sonde may be indicated. (See “Tilted Sonde” on page 14). It is generally true that the Sonde will be on the line between the two Poles, unless there is extreme distortion present.

Step 3: Verify the locate

- It is important to verify the Sonde’s location by cross-checking the receiver’s information and maximizing Signal Strength. Move the NaviTrack II away from the maximum Signal Strength, to make sure that the signal drops off on all sides. Make sure to move the unit far enough to see a significant signal drop in each direction.



Figure 23 – Sonde Locate: Equator

- Double-check the two Pole locations.
- Notice that the Measured Depth reading at the maximum Signal Strength location is reasonable and consistent. If it seems far too deep or too shallow, recheck that there is an actual maximum Signal Strength at that location.
- Notice that the poles and the point of highest Signal Strength lie on a straight line.

IMPORTANT! Remember that being on the Equator does not mean one is over the Sonde. Seeing two Poles aligned on the display is not a substitute for centering over each Pole separately and marking their locations as described above.

If the Poles are not visible, extend the search.

For best accuracy use the bubble level. The mast MUST be vertical when marking the Poles and Equator, or their locations will be less accurate!

It doesn't matter whether you locate the Poles first, and then the Equator, or the Equator first, and then the Poles, or one Pole, then the Equator, and then the other Pole. You can even locate the Sonde using just the Signal Strength, and then verify your result with the Poles and Equator. What is important is that you verify all the data points, and mark the Sonde's position where the signal is highest.

Tilted Sondes

If the Sonde is tilted, one Pole will move closer to the Sonde and the other farther away so that the Sonde location no longer lies midway between the two Poles. The Signal Strength of the nearer Pole becomes much higher than that of the more distant Pole if the Sonde is vertical (as it could be if it fell into a break in the line); however, it can still be located.

If the Sonde is *vertical* what is seen on the screen is a single Pole at the point of maximum Signal Strength. (The RIDGID Floating Sonde is designed to have a

single Pole “visible” and is weighted to maintain the Sonde on a vertical axis. See Note below.)

It is important to realize that a severely tilted Sonde can cause the Pole locations and the Equator to appear offset because of the angle of the Sonde; but maximizing the Signal Strength will still guide to the best location for the Sonde.

Floating Sondes

Some Sondes are designed to be flushed or to drift down a pipe pushed by water flow. Because these Sondes swing much more freely than a torpedo-shaped Sonde in a pipe, they can be oriented any which way. This means the Equator may be distorted by tilting, and the location of the Poles may vary. The only guarantee of having located a floating Sonde is maximizing the Signal Strength and double-checking that the signal falls away on every side of the maximum signal location.


NOTE! If a Sonde is moving, it may be easier to “chase” a pole and then pinpoint the actual position of the Sonde after the Sonde has stopped moving.

Measuring Depth (Sonde Mode)

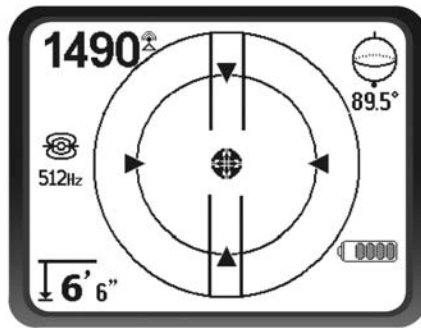
The NaviTrack II calculates Measured Depth by comparing the strength of the signal at the lower antenna to the upper antenna. Measured Depth is approximate; it will usually reflect the physical depth when the mast is held vertical and the bottom antenna is touching the ground directly above the signal source, *assuming no distortion is present.*

1. To measure depth, place the locator on the ground, directly above the Sonde.
2. Measured Depth will be shown in the lower left hand corner of the NaviTrack II's display screen.
3. A Measured Depth reading can be forced by pressing the Select Key during a locate.
4. Measured Depth will be accurate only if the signal is undistorted.

Clipping (Sonde Mode)

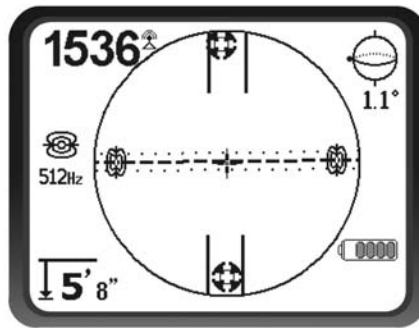
Occasionally the Signal Strength will be strong enough that the receiver will be unable to process the entire signal, a condition known as “clipping”. When this occurs a warning symbol  will appear on the screen. It means that the signal is particularly strong.

NOTE! Measured Depth Display is disabled under clipping conditions.



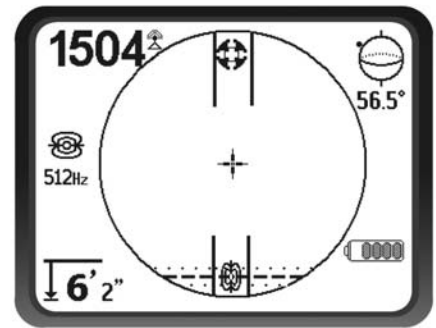
On the 1" Pole

A



On the Equator

B



Approaching the 2nd Pole

C

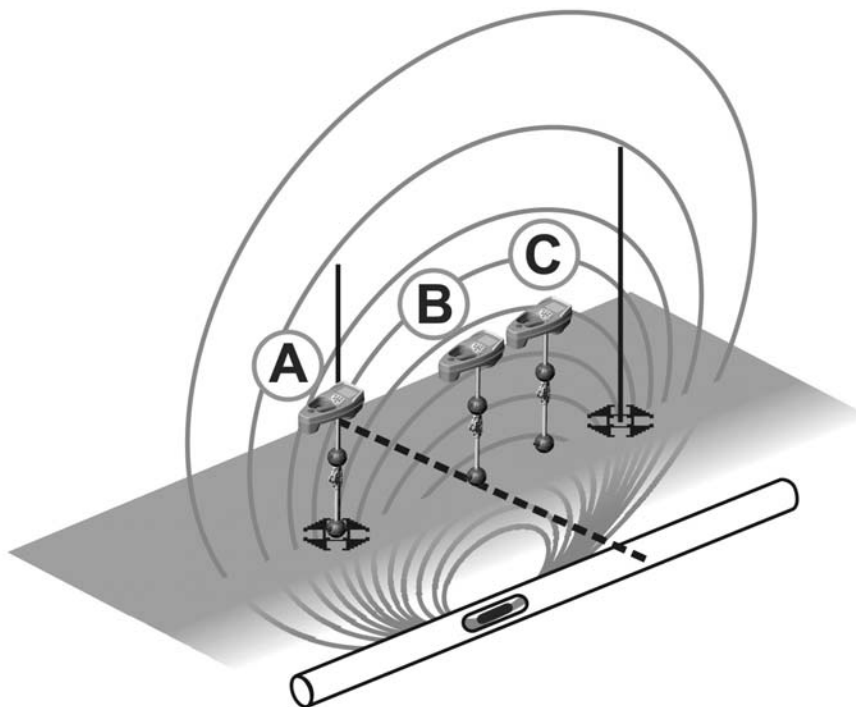


Figure 24 – Screen Display in Different Locations (Sonde)

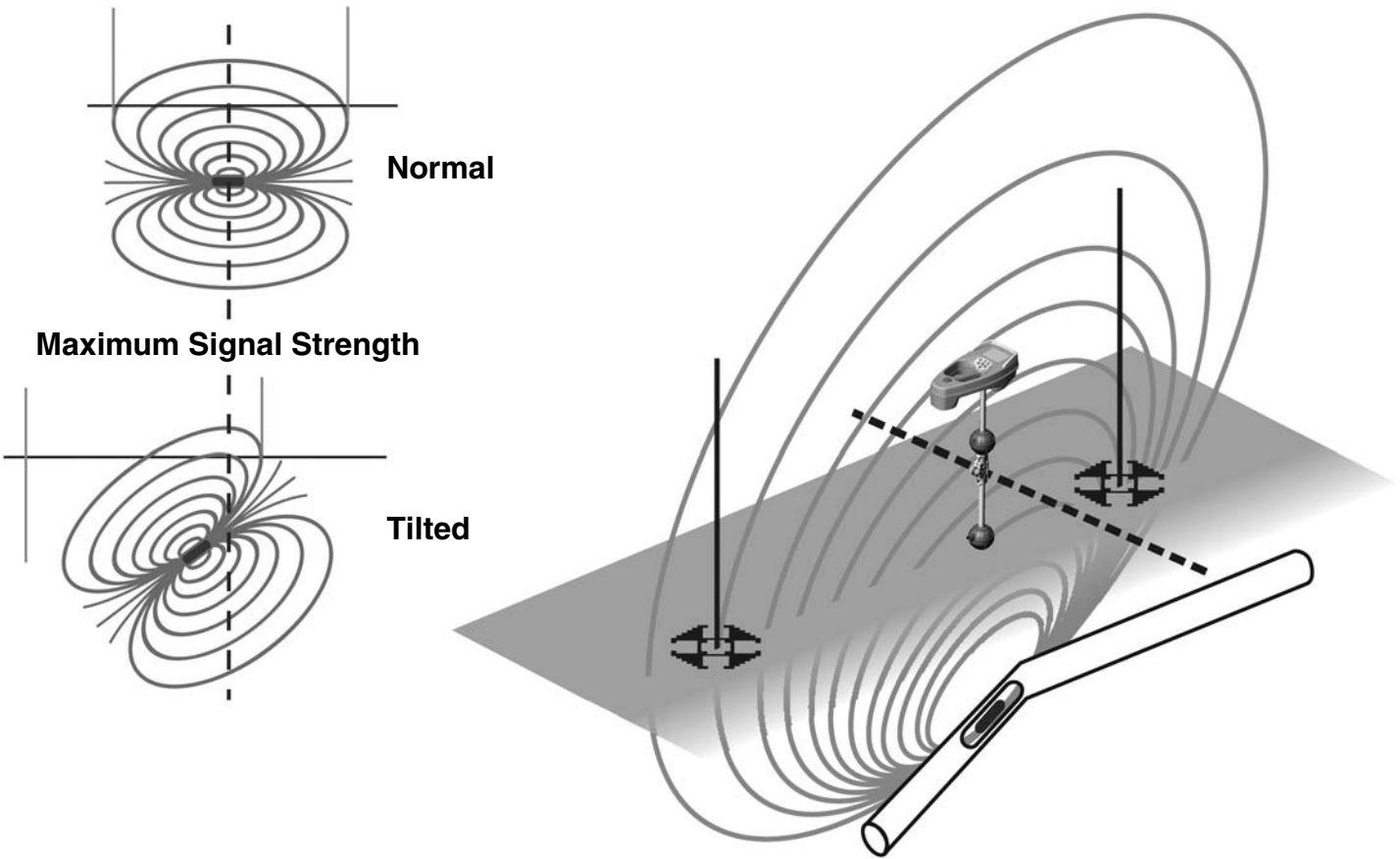


Figure 25 – Tilted Sonde, Poles and Equator
 Note the Pole on the right is closer to the Equator, due to tilt.

Line Tracing

Active Line Tracing

In active line tracing, underground lines are energized with a line transmitter. This active signal is then traced using the NaviTrack II. A line transmitter is different from a Sonde in that it is used for tracing an energized line, rather than acting as a target for a locate the way a Sonde does. Line transmitters energize lines by direct connection with clips, by directly inducing a signal using a clamp, or by inducing the signal using inductive coils built in to the transmitter.

1. Energize the line according to the manufacturer’s instructions. Select the transmitter frequency.

▲ DANGER

Connect both ends of the transmitter leads before turning the transmitter on, to avoid electric shock.

Set the frequency used on the NaviTrack II to the same frequency used on the transmitter. Be sure it has a line trace icon.

Push the Menu button to return to the operating screen.

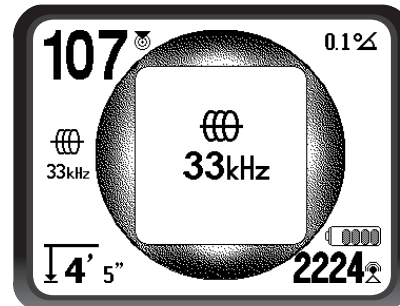


Figure 26 – Line Trace Frequency Chosen with the Frequency Key

(This screen will flash briefly when a new frequency is chosen)

2. Observe the Proximity Signal and Signal Strength to ensure the NaviTrack II is picking up the transmitted

signal. (See Figure 27 below). The signal should peak over the line and drop off on either side. The Signal Angle indicator will be near zero when the NaviTrack II is directly above the line.

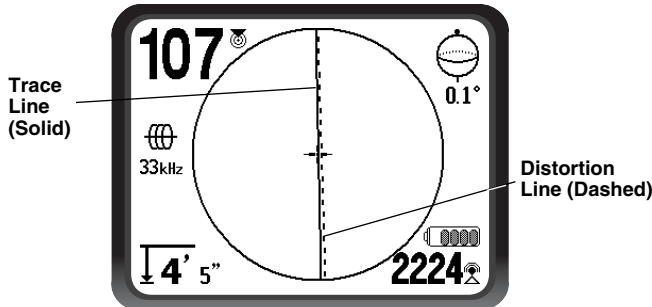


Figure 27 – High Probability Locate

3. When tracing, the direction the pipe or cable is running will be shown on the screen with 2 lines, one solid and one dashed. The solid line (the Tracing line) is the signal as seen by the lower antenna node and the dashed line (the Distortion Line) is the signal as seen by the upper one. (See Figure 27.)
4. The Tracing line has three important functions. It represents the location, and the direction, of the signal being traced. It reflects changes in direction of the target utility — when the utility makes a turn, for example. And it helps recognize signal distortion, when compared to the dashed line — if something is interfering with the signal and distorting its shape, the dashed line could be significantly offset or skewed.
5. Use the Proximity Number, Signal Strength, and Tracing and Distortion lines to guide the line trace. These three pieces of information are generated from discrete signal characteristics to help the operator discern the quality of the locate. An **undistorted** signal emitted from a line is strongest directly over that line. By maximizing the Proximity Signal, and centering the Tracing and Distortion lines on the screen the confidence in a “good” locate is high. Confirm a locate by testing whether the Measured Depth reading is stable and reasonable.

Testing for the consistency of the Measured Depth reading can be done by raising the NaviTrack II a known distance (say, 12" exactly) and observing whether the Measured Depth indicator increases by the same amount. Small variation is acceptable, but if the Measured Depth does not change, or changes drastically, it is an indication of a “distorted” field, or a very low level signal on the line. As always, the only way to be completely certain of the location of a utility is through visual inspection by exposing the utility.

NOTE! The accuracy of position and Measured Depth measurements improves as the NaviTrack’s lower antenna node is placed closer and closer to the target utility. Rechecking the Measured Depth and position periodically during the excavation process can help avoid damage to a target utility and may identify additional utility signals that were not noticed prior to excavation.

⚠ WARNING

Care should be taken to watch for signal interference that may give inaccurate readings. The Tracing line is only representative of the position of the buried utility if the field is UNDISTORTED. Do NOT base your locate solely on the Tracing Line.

Always cross check your locate by ensuring that:

- **The Tracing Line and the Distortion Line are substantially aligned.**
- **The Proximity Signal and the Signal Strength maximize when the Tracing Line crosses the map center.**
- **The Measured Depth increases appropriately as you raise the unit vertically and the Tracing Line and the Distortion Line remain aligned.**

Measured Depth readings should be taken as estimates and actual depths should be independently verified by potholing or other means prior to digging.

Note on 93 kHz Frequency Use

NOTE! European versions of the NaviTrack II offer an additional 93 kHz frequency for Line Tracing.

The default 93 kHz frequency has an actual cycle count of 93,696 cycles per second.

Some older transmitters use a different value for the nominal 93 kHz frequency, 93,622.9 cycles per second.

If you find that your transmitter signal at 93 kHz cannot be detected by the NaviTrack II, set the locator’s frequency to 93-B kHz, which is set to the older value. Both 93 and 93-B frequencies can be found under the Line Trace category of the Frequency Selection sub-menu.

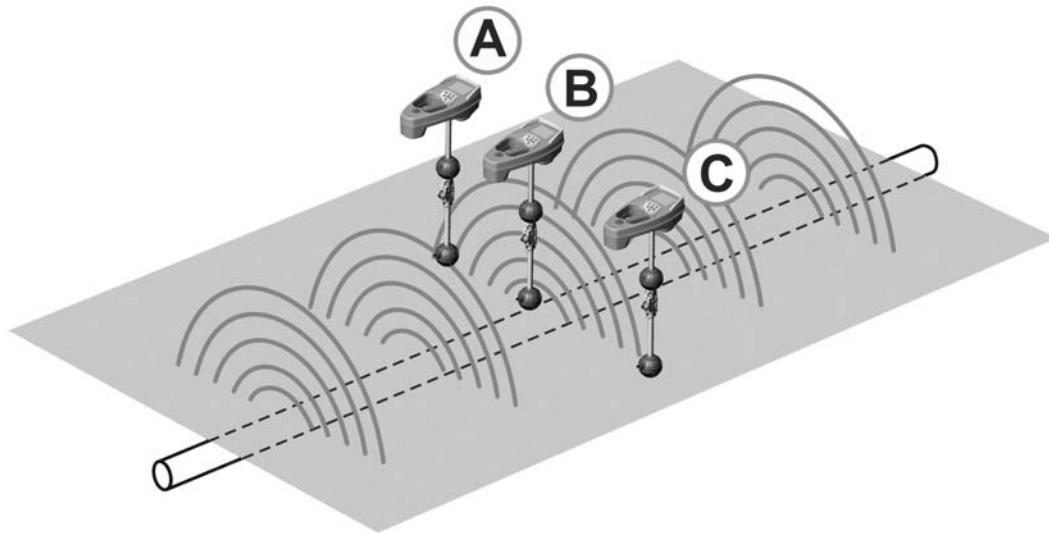
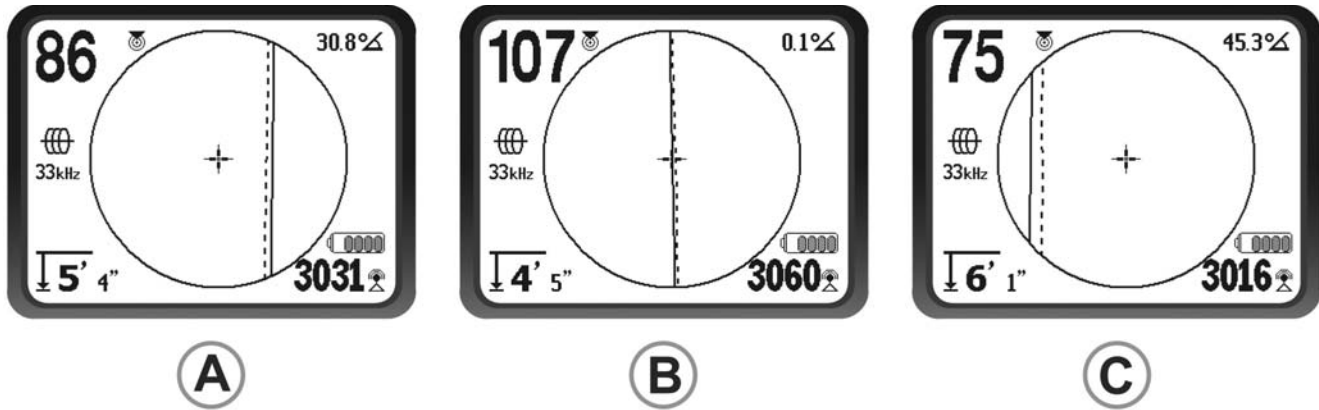


Figure 28 – Screen Display in Different Locations (Active Line Tracing)

Passive Line Tracing

In passive mode the NaviTrack II senses fields generated by wires carrying alternating current (AC), without a transmitter being attached. Buried power lines typically do not emit any traceable signal unless power is flowing in the wires. For example streetlights that are turned off can be hard to trace passively. Due to coupling (either through induction or through capacitance), all metallic lines in an area can be energized passively. Because of this, it is possible to locate lines passively but it can be difficult to identify which line the operator is tracing.

1. Select a Passive AC Trace Frequency with the passive line trace icon.

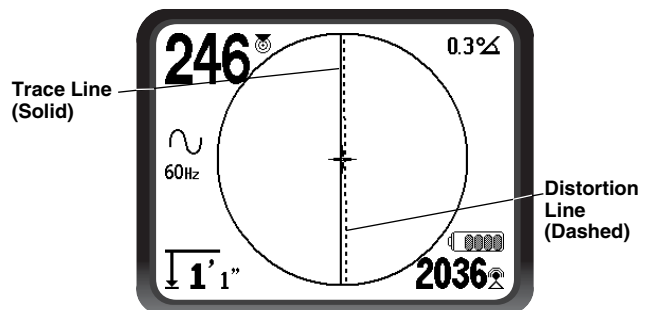


Figure 29 – 60 Hz Passive Trace Frequency

2. The NaviTrack II has two passive AC tracing frequency settings. They are 50 Hz, and 60Hz. The 50Hz and 60Hz frequencies are set to respond to the 9th harmonic of the commonly used AC frequencies. U.S. installations are typically 60 Hz, while European installations are typically 50 Hz.

When line tracing, it is important to remember that Tees, curves, other conductors in the vicinity, and nearby masses of metal can add distortion to the field requiring closer scrutiny of the data to determine the path of the target. These distortions are likely to be worse when tracing passively.

For best accuracy, use directly connected Active Line Tracing whenever possible.

▲ WARNING

In Passive Line tracing, or when signals are extremely weak, the Measured Depth will generally read too DEEP and the actual buried depth may be MUCH shallower.

Operating Tips for Active Line and Passive Line Tracing

- The NaviTrack II quickly identifies distorted fields. If the lines are not centered on the map, when the Proximity Signal or Signal Strength is maximized, distortion is creating a complex non-circular field. To improve the tracing circuit:
 1. Try changing the frequency used to a lower one.
 2. Move the ground stake position away from the line being traced.
 3. Make sure that the line is not commonly bonded to another utility. Undo common bonds only if safe to do so.
 4. Move the transmitter to a different point on the line, if possible.
- If the tracing lines will not center or if they move across the screen erratically, then the NaviTrack II may not be receiving a clear signal. The Measured Depth and the Proximity Signal may also be unstable under these circumstances.
 1. Check the transmitter to be sure that it is operating and well grounded.
 2. Test the circuit by pointing the lower antenna at either transmitter lead.
 3. Check that the NaviTrack II and transmitter are operating on the same frequency.
 4. Try different frequencies, starting with the lowest, until the line can be picked up dependably.
 5. Re-locate the ground connection for a better circuit. Ensure there is enough contact (ground stake is sufficiently deep) especially in dryer soils. When soil is dry, soak the earth around the ground stake to improve signal.

- Using the Signal Angle Indicator is another way to check for distorted signals. Move the NaviTrack II perpendicularly to both sides of the traced line until the Signal Angle Indicator reads 45 degrees. Be sure to keep the lower Omnidirectional antenna node at the same height and the locator level. If there is little or no distortion the traced line should be in the middle and the distance to each 45 degree point should be approximately the same on either side.

Another variation of this technique is to move the same distance to the right and left of the traced line, say 24 inches (60 cm) and check that the Signal Strength readings are similar.

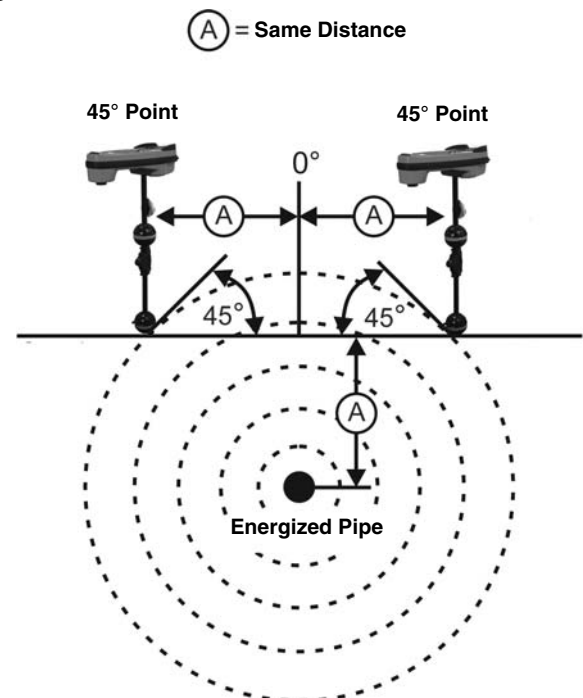


Figure 30 – Checking for Distortion

- While tracing, the Proximity Signal and Signal Strength should maximize, and the Measured Depth should minimize at the same place where the lines center on the display. If this is not the case, the utility may be changing direction or other coupled signals may be present.
- Higher frequencies bleed over to adjacent utilities more readily, but may be needed to jump breaks in tracer wires or go over insulating couplers. If the line is ungrounded at the far end, higher frequencies may be the only means to make the line visible (See on page 28).
- When using the transmitter inductively, be sure to begin the locate about 30 feet (10m) away to avoid “direct coupling”, also known as air coupling. This occurs when the NaviTrack II picks up the signal from the

transmitter directly through the air and not from the line to be traced. To test for air coupling, point the NaviTrack II directly at the transmitter; if Signal Strength increases, then the transmitter may be too close to the receiver to trace accurately.

NOTE! The weaker the inductively coupled signal produced on the conductor, the greater the air-coupling distance.

While tracing, the mapping display operates best under the following conditions:

- The line is level.
- The NaviTrack II Locator is above the target utility elevation.
- The NaviTrack II antenna mast is held approximately vertical.

If these conditions are not met, pay close attention to maximizing Proximity Signal and Signal Strength.

In general, if the NaviTrack II is used in a zone over the target line within a sweep area of about two “depths” of the line, the map will be useful and accurate. Be aware of this when using the map if the target or line is very shallow. The width of the useful search area for the map can be small if the line is extremely shallow.

Measuring Depth (Tracing Modes)


The NaviTrack II calculates Measured Depth by comparing the signal level at the lower antenna to that at the upper antenna.

Measured Depth is approximate; it will reflect the physical depth when the mast is held vertical and the bottom antenna is touching the ground directly above the signal source, assuming no distortion is present.

1. To measure depth, place the locator on the ground, directly above the Sonde or the line.
2. Measured Depth will be shown in the lower left hand corner of the NaviTrack II’s display screen.
3. A Measured Depth reading can be forced by pressing the Select Key during a locate.
4. Measured Depth will be accurate only if the signal is undistorted.

NOTE! In Active Line Trace or Passive Line Trace modes, pressing the Select Key will force a Measured Depth reading. If sound is on, it will also re-center the audio tone.

Clipping (Tracing Modes)

Occasionally the Signal Strength will be strong enough that the receiver will be unable to process the entire signal, a condition known as “clipping”. When this occurs a warning symbol  will appear on the screen. It means that the signal is particularly strong and accurate Measured Depth measurements are not possible. If clipping persists, remedy it by increasing the distance between the antennas and the target line you are tracing OR by reducing the strength of the current from the transmitter. **Note that Measured Depth Display is disabled under clipping conditions.**

Menus and Settings

Pressing the Menu Key brings up a series of choices which let the individual operator configure the NaviTrack II (See Figure 31). The menu is a context-sensitive list of options. The entry point into the menu list is set to the currently in-use frequency.

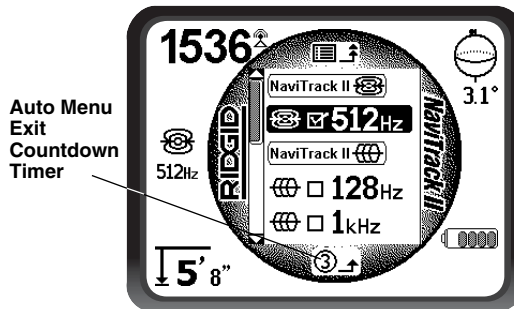

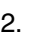








Figure 31 – Main Menu

In sequence from the top of the menu down, the Main Menu presents the following items:

1.  **Selected Sonde frequencies** (activated or not)
2.  **Selected Active Line Trace frequencies** (activated or not)
3.  **Selected Passive Line Trace frequencies** (activated or not)
4.  **Measured Depth Measurement Units Setting Control**
5.  **Backlight Control**
6.  **LCD Contrast Control**
7.  **Display Elements Control** (sub-menus will display when selected for Sonde or Line Tracing modes)
8.  **Frequency Selection Control** (sub-menus will display for categories of frequencies that can be selected)

9. **i Information Menu** including software version and unit serial number (sub-menu for restoring factory defaults will display on Information screen).

See page 25 for a complete Menu list.

③ Auto Menu Exit Count-down Timer

While traversing the menu tree you will see a counter at the bottom of the screen counting down. When it reaches zero it will automatically move back up one level of the menu tree until it reaches the operating screen again. It resets to nine each time you press a key and each time it goes up one menu level until it reaches the main operating screen.

🔊 Selected Sonde Frequencies

Sonde frequencies that have been selected from the currently available list appear with a check box next to them. If the checkbox is checked, the frequency will be activated (Checked-Active) and can then be accessed using the Frequency Key. Frequencies are checked or unchecked by highlighting them and pressing the Select Key. To return to the operating screen, press the Menu Key.

Possible inclusions are:

16 Hz	512 Hz*	640 Hz
850 Hz	8 kHz	16 kHz
33 kHz		

(* = Factory-selected frequencies.)

(See "Frequencies Selection Control" on page 23, to add any frequencies to the Main Menu that do not appear on it because they have not been selected.)

🌐 Selected Active Line Trace Frequencies

As with Sonde frequencies these items will be checked or unchecked and activate accordingly.

Possible included frequencies are:

128 Hz*	1 kHz*	8 kHz*
33 kHz*	65 kHz	200 kHz
262 kHz*		

(* = Factory-selected frequencies.)

🌀 Selected Passive Line Trace Frequencies

As with other frequencies these items will be checked or unchecked and activate accordingly.

Possible included frequencies are:

50 Hz	60 Hz*
-------	--------

(* = Factory-selected frequencies.)

📏 Measured Depth Units

The NaviTrack II can display Measured Depth in either feet or meters. Feet are shown in feet-and-inches format; meters are in decimal format. To change these settings highlight the Units selection in the menu and press the Select Key to toggle between feet or meters (Figure 32). Use the Menu Key to save the section and exit.

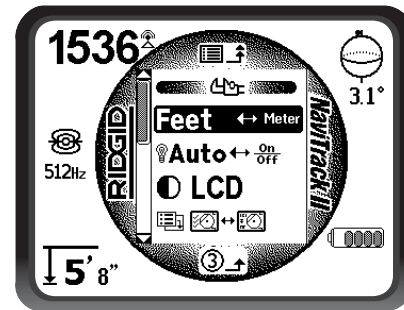


Figure 32 – Selecting Units (Feet/Meters)

💡 Back Light Toggle Control

A light detector built into the upper left corner of the keypad senses low light levels (See page 9). The backlight can be forced on by blocking the light to this sensor.

The automatic LCD backlight is factory set to only turn on under fairly dark conditions. This is to conserve battery power.

To set the backlight to be always off, highlight the light bulb icon in the tools section of the menu and press the Select Key to toggle it between Auto, always ON and always OFF. Use the Menu Key to save the selection and exit.

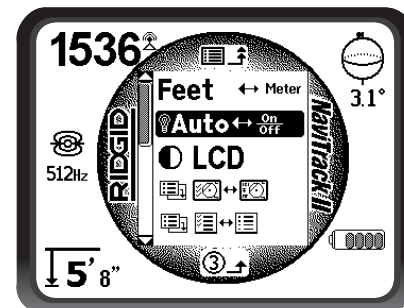


Figure 33 – Setting Backlight Mode (On/Off/Auto)

LCD Contrast

When this is selected by pressing the Select Key the contrast can be adjusted (Figure 34). Use the up and down arrows to make the screen lighter or darker (Figure 35). Extreme temperature changes may make the LCD appear dark (hot) or light (cold). Setting the contrast to extreme dark or light may make the LCD difficult to read.

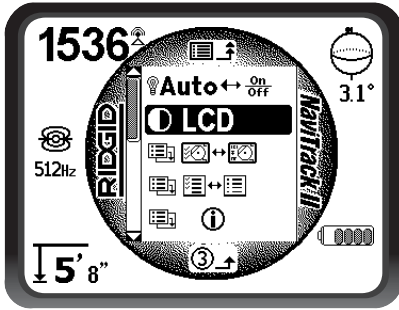


Figure 34 – Contrast Setting Option

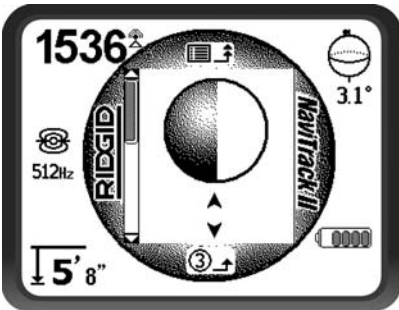


Figure 35 – Increasing/Decreasing Contrast

Use the Menu Key to save the setting and exit. In this menu you can also exit by pressing the Select Key to save the setting and exit.

Display Elements Menu

Selecting the icon representing two small display screens will bring up the Display Selection Menu for either Trace or Sonde mode (Figures 36 and 37). This control is used to toggle screen elements on and off. The NaviTrack II is shipped with some of the optional elements set to OFF to make getting started easier. To switch an element ON or OFF, press the Up or Down Key to highlight the selection. Then use the Select Key to check or uncheck the box. Checked display elements are set to ON for the selected mode. Personal preferences and the type of locating being done will dictate which optional elements the operator wants displayed.

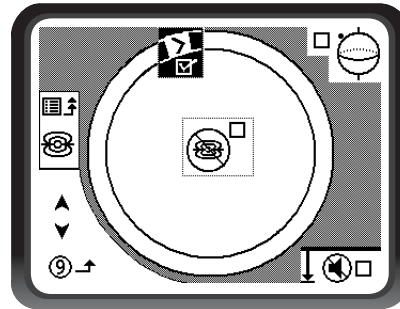


Figure 36 – Screen Elements (Sonde Mode)

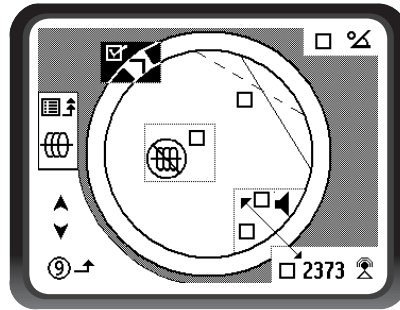


Figure 37 – Screen Elements (Line Trace Modes)

Optional Features within the Display Elements Menu

Optional features of the NaviTrack II can be turned on by using the Menu Key to show the menu tree. Select the Display Elements selection menu. Then select the mode to change (Trace or Sonde).

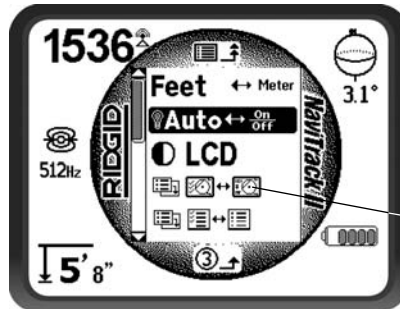


Figure 38 – Main Menu

Optional Features for the Sonde Mode include:

Race Track and Watermark

The “Race Track” is a circular track around the center of the Active View Area on the screen. The Watermark is a marker which appears in the outer ring of the display, traveling along the Race Track. The Watermark is a graphic representation of the highest Signal Strength reached (in Sonde mode) or the highest Proximity Signal level reached (in Line Tracing modes). It is “chased” by a solid Level Pointer which shows the current Signal Strength. (See Figure 39 for example.) If the Signal Strength Level Pointer goes higher than the Watermark,

the Watermark moves up accordingly to show the new highest level graphically. The Watermark, like the high-water ring in a bathtub, shows the highest level reached. This provides an additional, visual way to track the maximum signal. The Watermark and Race Track are a single option that is off by default but can be set on in the Display Elements selection menu.

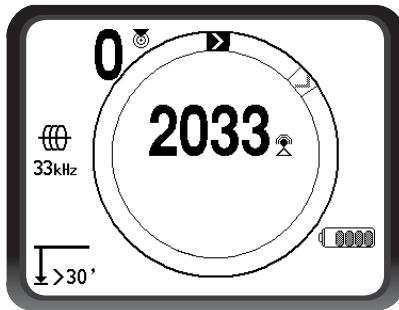


Figure 39 – Racetrack with Watermark and Pointer

No-Signal Icon

When the NaviTrack II is not receiving any meaningful signal on the selected frequency it will display the mode sign with a line through it, indicating no signal is being detected (Figure 40). This reduces the confusion of trying to interpret the random noise in the absence of a signal.

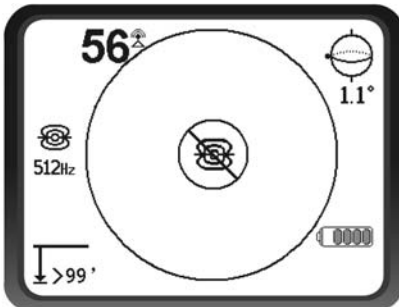


Figure 40 – "No-Signal" Display in Sonde Mode

Center Signal Strength Option

Turning the option on in the Menu Selection screen will force the number representing Signal Strength to be displayed in the center of the display area anytime when no Proximity Signal is available (Figure 41). This may occur when the signal is weak. When a Proximity Signal again becomes available, the Signal Strength number returns to the lower right corner of the screen as usual. (Line Trace Mode only).

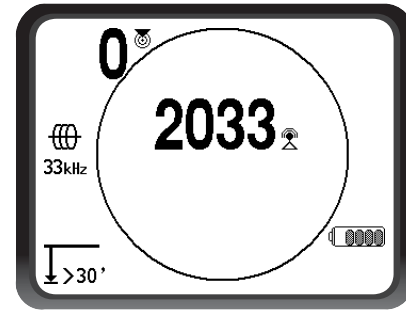


Figure 41 – Signal Strength Centered

Sound Muting

This option enables the automatic muting of the sound when the Measured Depth is greater than 99 feet. If it is unchecked, the sound will not mute automatically. (Sonde Mode only)

Sound Switching

When checked this will tie sound to the Signal Strength when no Proximity Signal is available. (Trace Modes only)

Frequencies Selection Control

Additional available frequencies can be added to the list of Main Menu currently available frequencies by going to the Frequency Select Sub-menu and selecting the desired mode (Figure 43). Checked frequencies are already "currently available" – that is, selected to appear in the Main Menu. From there, they can be set to "Checked-Active" status to make them available by use of the Frequency Key.

To select additional frequencies go down to the Frequency Selection sub-menu, and highlight the category of the desired frequency (Figure 42).

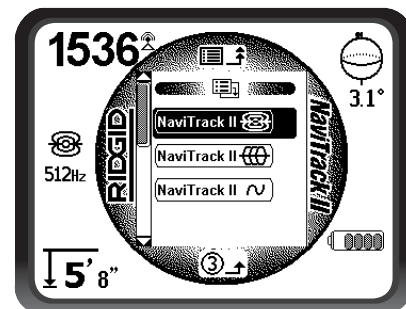


Figure 42 – Selecting a Frequency Category

Then use the Up and Down Keys to scroll through the available frequencies. Highlight the desired frequency to add it to the Activated Frequencies list (Figure 43).

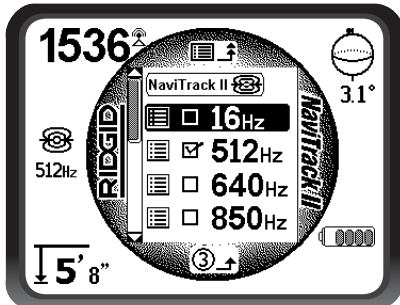


Figure 43 – Highlighting a Frequency to Activate

Checking a frequency (using the Select Key) will include it in the selected frequencies on the Main Menu. Once on the Main Menu it can be set to checked-active status, and then be chosen using the Frequency Key.

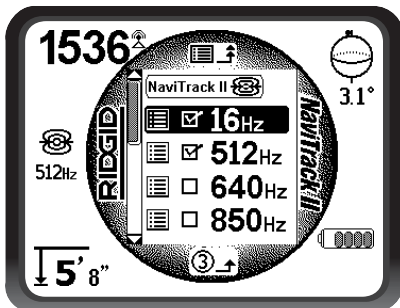
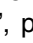


Figure 44 – Selecting a Frequency to Activate

To switch to a “currently available” frequency that is not yet “Checked-Active”, press the Menu Key  and scroll down to the desired frequency; if it is not checked, press the Select Key to toggle the checkbox to “checked”. This sets the status of that frequency to “Checked-Active”. Press the Menu Key to return to the operating display, which will now be set to the frequency just activated. The NaviTrack II will show the chosen frequency and its icon on the left of the screen as the current “in-use” frequency.

“Checked-active” frequencies can be switched while the NaviTrack II is in use, by pressing the Frequency Key. When using the Frequency Key, the NaviTrack II will cycle down through the set of active frequencies from low to high, group by group, and repeat. Unchecking a frequency in the Main Menu will de-activate it, and then it will not appear when pressing the Frequency button.

NOTE! If a frequency appears missing, look to make sure it is in the Main Menu frequencies list. If it is present but unchecked, set it to “Checked-Active” status by highlighting it and pressing the Select Key. If it is not present, go to the Frequency Selection menu and the appropriate sub-category and select it there, checking the box to make it currently available in the Main Menu list. Make sure it is “checked” at both menu levels for it to appear in the current working set of frequencies.

i Information Screen and Restoring Defaults

Information Screen

The information screen appears at the bottom of the Main Menu. Highlighting the Information icon and pressing the Select button displays information about the locator, including software version, serial number of the receiver and its calibration date.

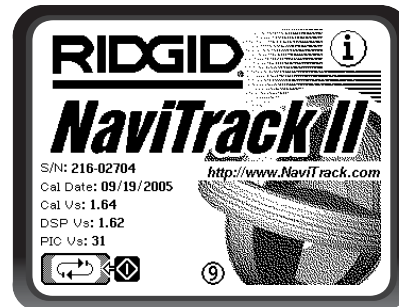


Figure 45 – NaviTrack II Information Screen

Restore Factory Defaults

Pressing the Select Key a second time will display the Restore Factory Defaults option.



Figure 46 – Factory Defaults Selection

This option is turned on by selecting the checked box (✓). If the “X” option is chosen, no change from current settings will be made.

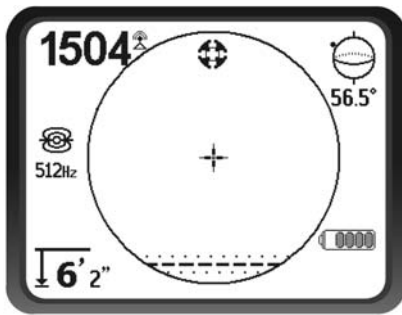
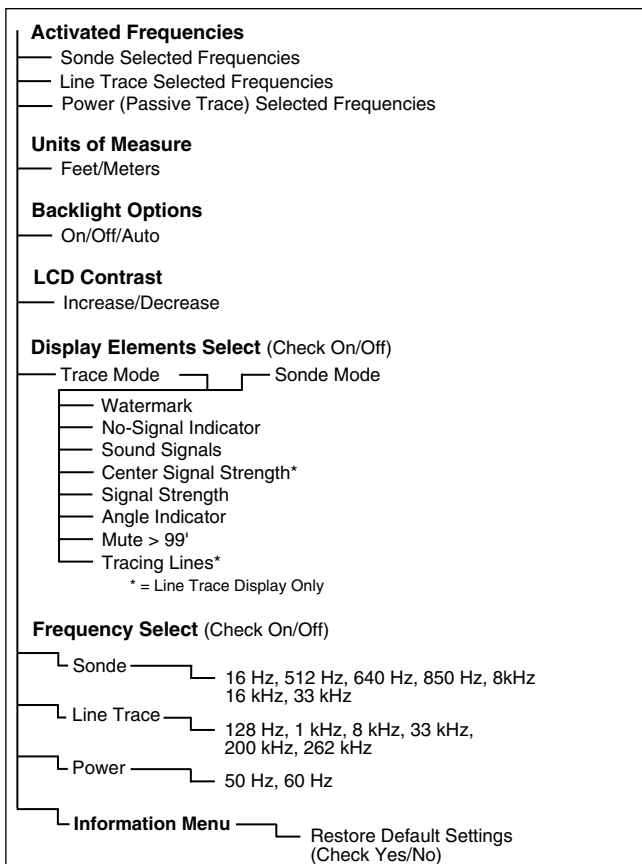


Figure 47 – Defaults Restored (Sonde Mode)

Pressing the Menu Key without changing either checkbox will exit the option and leave things as they were.

Menu Tree

The following graphic shows the options and controls built into the NaviTrack II menus. Pressing the Menu Key from the active screen moves the display to the top of the menu tree. Move through the choices using the Up and Down Keys. Pressing the Select Key when any choice is highlighted will show that sub-menu. Pressing the Menu Key within a sub-menu will move up one level. Checkboxes are turned on and off by pressing the Select Key.



A Better Way of Locating

The NaviTrack II gives the operator a picture of the situation as the receiver moves along the target area and makes it easier to understand where a target line's electromagnetic field is. With more complete information, an operator can understand how things stand underground and resolve complex situations, avoid inaccurate mark-ups, and find the right line or cable more rapidly.

What the NaviTrack II Does

The NaviTrack II is used above ground to sense and trace electromagnetic fields emitted from underground or hidden lines (electrical conductors like metal wires and pipes) or Sondes (actively transmitting beacons).

When the fields are undistorted, the information from the sensed fields gives an accurate picture of the buried object. When the situation is made complex by interference from more than one line, or other factors, the NaviTrack II provides a display of information that show multiple measurements of the detected field. This data can make it easier to understand where the problem is, by providing clues as to whether a locate is good or bad, questionable or reliable. Instead of just laying paint in the wrong place, the operator can see clearly when a difficult locate needs re-evaluation.

The NaviTrack II provides more of the critical information the operator needs to understand the situation of the utility being located.

What It Does Not Do

The NaviTrack II locates by sensing electromagnetic fields surrounding conductive objects; it does not sense the underground objects directly. It provides more information about the shape, orientation, and direction of fields than other locators but it does not magically interpret that information or provide an x-ray image of underground objects.

A distorted, complex field in a noisy environment requires intelligent human thought to analyze correctly. The NaviTrack II cannot change the results of a difficult locate, even though it shows all the information about those results. Using what the NaviTrack II shows, a good operator can improve locating results by "making the circuit better" (change frequency, ground, or the transmitter's location on the target line.)

Advantages of the Omnidirectional Antenna

Unlike the coils used in many locator devices, the Omnidirectional antenna detects fields on three separate axes, and can combine these signals into a “picture” of the apparent strength, orientation and direction of a field. Omnidirectional antennas offer definite advantages:

The Mapping Display

The mapping display enabled by the Omnidirectional antennas provides a graphic view of a signal’s characteristics and a bird’s eye view of the signal underground. It is used as a guide for tracing underground lines and can be used to better pinpoint Sondes. It can also be used to provide more information for complex locates.

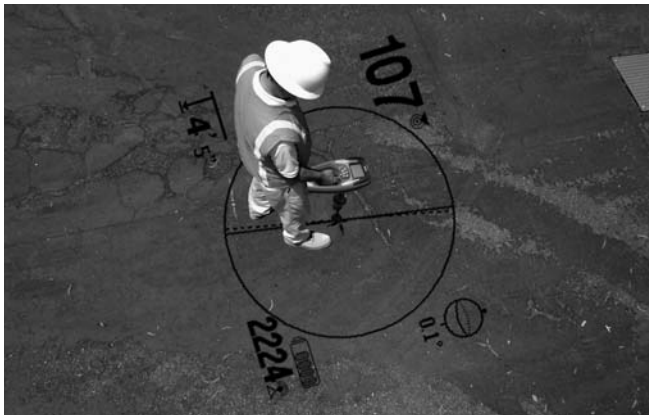


Figure 48 – Mapping Display

The use of lines (representing the signals sensed by upper and lower antennas) gives the operator a graphic way to see where they are, and where the target utility or Sonde is located. At the same time the display provides all the information needed to understand what is happening with the field being located – its Signal Strength, continuous distance, Signal Angle and proximity to the target. The information available at one moment on the NaviTrack II would take multiple sample readings with some conventional locators. A distorted or compound field is easier to interpret when all the information is in a single display as it is with the NaviTrack II.

Orientation to the Signal

Because of the multiple signals being processed by each Omnidirectional antenna, the target’s signal always gets stronger as the receiver gets closer to the target. How the unit is held does not affect Signal Strength. The user can approach from any direction and does not need to know the orientation or direction of the pipe or wire.

Locating Sondes

Used with a Sonde, the NaviTrack II eliminates Nulls and “Ghost Peaks”. A conventional locator signal often sees a signal increase followed by a null (better described as no signal registering on the antenna) and then a peak. This can confuse the operator who may interpret a smaller peak as the target.

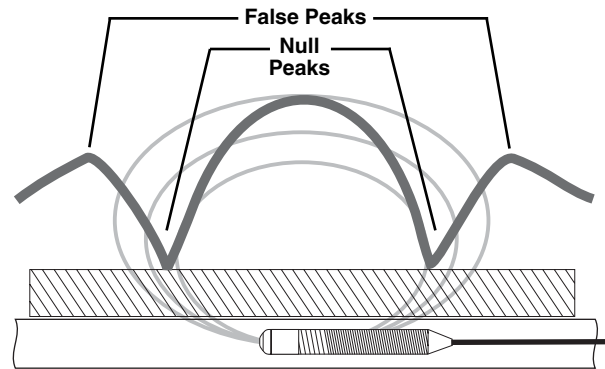


Figure 49 – The signal from a Sonde as “seen” by a conventional locator

The main peak is in the center, and two false peaks are outside the two nulls.

The NaviTrack II uses just one peak to draw the user to the target. Finding a Sonde using Signal Strength is a very direct process.

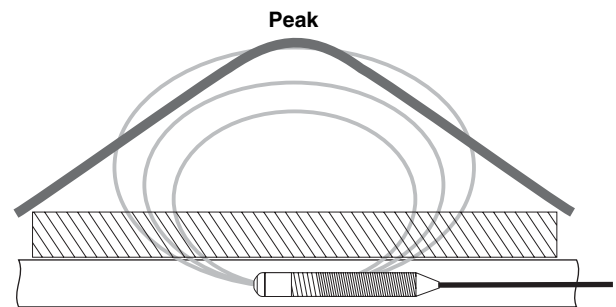


Figure 50 – Sonde signal as “seen” by the NaviTrack II

The only way to go is “up” toward the maximum signal.

Proximity Signal

The NaviTrack II's Proximity Signal is a new piece of information – a tool to help center the operator on the target line. It tells the operator how close the instrument is to the target. Using the Proximity Signal in a locate gives a more defined peak than using Signal Strength.

The proximity signal is based on comparing the information being sensed by two Omnidirectional antennas in the upper and lower node casings of the NaviTrack II. (Active Line Trace and Passive Line Trace modes only).

“Informational” Locating

Because of NaviTrack II's advanced processing and display, the information provided by the NaviTrack II makes it clear when a locate has a high confidence level, and when a locate is suspect.

A good operator can understand the underground picture with much less effort by using the combined information provided by:

- Proximity Signal/Signal Strength
- Tracing line and Distortion Line (lower and upper antennas)
- Continuous Measured Depth indications
- Signal Strength

These indicators show what the antennas are “sensing” as they move through the field. This signals when a field is being pulled or pushed out of shape by interference from other lines or objects nearby. When significant distortion is present, the indicators will not agree. Knowing distortion is present allows the operator the option of taking action to reduce it or at least account for it. (For example, both location and Measured Depth reading in distorted fields become suspect).

The other side of having more information is verification that a locate is good. If all of the indicators are in agreement and reasonable, then the degree of confidence in a locate can be much higher.

Getting the Most Out Of the NaviTrack II

The basic features of the NaviTrack II make it quick to learn. But the instrument also has advanced features that will make locating in tricky conditions much easier if the operator understands what they are showing.

More on Informational Locating

The normal shape of a field around a long conductor such as a pipe or cable is circular (cylindrical in three di-

mensions). When over the center of a circular field, expect the following indicators:

- Maximum Signal Strength
- Maximum Proximity Signal (Line Trace Mode)
- Centered Tracing and Distortion lines
- Reasonable and consistent Measured Depth reading
- Minimum Measured Depth
- Sound pitch and volume will increase until they maximize over the line

The experienced operator learns to “see” the ground situation by knowing how the different pieces of information provided by the NaviTrack II relate to each other. While a simple straightforward locate of a circular field is fast and easy, tracing a line which is near other large conductors such as power lines, phone lines, gas mains or even buried scrap metal can lead to questions which can only be correctly answered by taking all the available information into account.

By comparing Signal Strength, Signal Angle, Proximity Signal, Tracing and Distortion lines, and Measured Depth, an operator can see which way the field is being distorted. Comparing the field information with an educated view of the ground, noticing where transformers, meters, junction boxes, manholes and other indicators are located can help in understanding what is causing field distortion. It is important to remember, especially in complex situations, that the only guarantee of the location of a particular line or pipe is actual inspection, such as by potholing.

Compound or complex fields will produce different indications on the NaviTrack II which will show what is happening. Some examples might be:

- Disagreement between Tracing and Distortion lines
- Inconsistent or unrealistic Measured Depth
- Fluctuating random indications (also caused by very weak signal)
- Inconsistent proximity signal (line trace mode)
- Signal strength maximizing off to one side of the conductor

Generally, distortion is likely to be worse at higher frequencies compared to lower frequencies due to the tendency of higher frequency signals to “jump” to adjacent utilities. Large iron and steel objects such as vault and manhole covers, trench plates, structural supports, rebar and vehicles can also significantly distort even the lowest frequencies. In general, passive locating is more subject to distortion than active locating, especially in regards to depth measurements. Power trans-

formers, buried and overhead power lines are a common source of strong distortion. It may be impossible to get an accurate locate close to a large power transformer.

Notes on Accuracy

Measured Depth, Proximity Signal and Signal Strength measurements rely on a strong signal being received by the NaviTrack II. Remember that the NaviTrack II is used above ground to sense electromagnetic fields emitted from underground lines (electrical conductors like metal wires and pipes) or Sondes (actively transmitting beacons). When the fields are simple and undistorted, then the information from sensed fields is representative of the buried object.

If those fields are distorted and there are multiple interacting fields, it will cause the NaviTrack II to locate inaccurately. Locating is not an exact science. It does require the operator to use judgment and look for all the information available beyond what the instrument readings may be. The NaviTrack II will give the user more information but it is up to the operator to interpret that information correctly. No locator manufacturer will claim that an operator should follow the information from their instrument exclusively. A wise operator treats the information gained as a partial solution to the problem of locating and combines it with knowledge of the environment, utilities practices, visual observation and familiarity with the instrument to arrive at an informed conclusion.

Locating accuracy should not be assumed under certain conditions:

- **When other lines or utilities are present.** “Bleed over” causes distorted fields and will illuminate lines other than the target line. Use lower frequencies when possible and eliminate all connections between the two lines.



Figure 51 – Bleed-over

- **When tees, turns or splits are present in the line.** When following a clear signal that suddenly becomes ambiguous, try seeking in a circle of about 20' around the last known point to see whether the signal picks up again. This may reveal a branch, joint or some other change in the line. Be alert to “split opportunities” or sudden changes of direction in the utility being traced.
- **When Signal Strength is low.** A strong signal is necessary for accurate locating. A weak signal can be improved by changing the grounding of the circuit, frequency or transmitter connection. Worn or damaged insulation, bare-concentric cables and iron pipes exposed to ground will compromise Signal Strength through leakage to ground.
- **Far-end grounding** will change Signal Strength significantly. Where far-end grounding cannot be established, a higher frequency will provide a stronger signal. Improving ground conditions for the locating circuit is a primary remedy to a poor signal.
- **When soil conditions vary.** Extremes in moisture, either very dry or water-saturated, may affect measurements. For example, ground that is saturated with salty water will shield the signal severely and be very difficult to locate in, especially at high frequencies. In contrast, adding water to very dry soil around a ground stake can make a major improvement in signal.
- **In the presence of large metal objects.** Simply walking past a parked car during a trace, for example, can cause an unexpected increase or decrease in Signal Strength, which will revert to normal when past the distorting object. This effect is stronger at high frequencies, which “couple” more readily onto other objects. Manhole covers and trench plates can strongly distort signals.

The NaviTrack II cannot change the underlying conditions of a difficult locate, but changing frequency, ground conditions, transmitter location or isolating the target line from a common ground can change the results by making a better ground connection, avoiding signal splits or reducing distortion. Other locating receivers will indicate that they may be over a line, but they have less ability to determine the *quality* of the locate.

The NaviTrack II provides *more information*. If all of the indicators are aligned and in agreement, mark-outs can be made with more confidence. If the field is distorted, it shows immediately. This allows the operator to do something to isolate the target line, change the grounding, connection point, move the transmitter or change the frequency to get better reception with less distortion. For extra certainty, take steps to inspect the situation such as by requesting potholing.

In the final analysis there is one “most important” component in the locating task – the operator. The NaviTrack II gives an operator an unprecedented amount of information to be able to make the correct decision rapidly and accurately.

NaviTrack II Maintenance

Transportation and Storage

Before transporting make sure that the unit is turned off to preserve battery power.

When Transporting make sure that the unit is secure and does not bounce around or get bumped by loose equipment.

The NaviTrack II should be stored in a cool dry place.

NOTE! If storing the NaviTrack II for an extended period of time then the batteries should be removed.

If shipping the NaviTrack II, remove the batteries from unit.

Installing/Using Accessories

The NaviTrack II also comes with Sonde and Pole Markers that can be used to mark Pole or Sonde locations above ground. There are two (2) red markers to mark the Poles and one (1) yellow marker to mark the Sonde. The markers can also be used to temporarily mark points to come back to while scouting a target area or tracing a line.

If further assistance is needed, please call:

RIDGE Tool Technical Service at 800-519-3456. If appropriate: Replacements can be ordered from your RIDGID dealer.

Maintenance and Cleaning

1. Keep the NaviTrack II clean with a damp cloth and some mild detergent. Do not immerse in water.
2. When cleaning, do not use scraping tools or abrasives as they may permanently scratch the display. NEVER USE SOLVENTS to clean any part of the system. Substances like acetone and other harsh chemicals can cause cracking of the case.

Locating Faulty Components

For troubleshooting suggestions, please refer to the trouble-shooting guide on *page 32*. If necessary, contact RIDGE Tool Technical Service at 800-519-3456. We will establish a plan of action to get your NaviTrack II working for you.

Service and Repair

▲ WARNING



Instrument should be taken to a RIDGID Independent Authorized Service Center or returned to the factory. Remove batteries entirely before shipping. All repairs made by Ridge service facilities are warranted against defects in material and workmanship.

CAUTION Remove batteries entirely before shipping.

If you have any questions regarding the service or repair of this machine, call or write to:

Ridge Tool Company
 Technical Service Department
 400 Clark Street
 Elyria, Ohio 44035-6001
 Tel: (800) 519-3456
 E-mail: TechServices@ridgid.com

For name and address of your nearest Independent Authorized Service Center, contact Ridge Tool Company at (800) 519-3456 or <http://www.ridgid.com>

Glossary – Definitions

Active Line Tracing A mode of locating using a Line Transmitter to inject a chosen frequency onto a conductor; the frequency is then detected by the NaviTrack II to trace the conductor.

Active View Area The area within the circle in the center of the operating screen, where Tracing and Distortion lines or Sonde Pole and Sonde Equator symbols appear.

Bleed over Coupling of the signal from the target line onto adjacent conductors by any means (resistive, capacitive or inductive).

Checked-Active Frequencies A frequency is said to be “Checked-Active” when it has been checked on the main menu; this enables it to be accessed by the use of the Frequency Key during operation of the NaviTrack II. The “In Use” frequency is always one of the Checked-Active set.

Clipping The condition of receiving a signal too strong to be processed all at once by the signal processor; in the NaviTrack II this condition will cause a warning signal to flash. The signal peaks are too high and are “clipped”. off.

Crosshair A symbol in the center of the Active View Area representing the location of the NaviTrack II, relative to the detected field.

Current Strength The calculated level of current based on field strength detected by the Omnidirectional antennas of the NaviTrack II; expressed approximately in milliamps (mA). An accurate depth measure is required for accuracy.

Currently Available Frequencies Frequencies which have been checked in the Master Frequency Menu are said to be “Currently Available”; they appear on the Main Menu when the Menu Key is pressed, and can be set to “Checked-Active” status.

Default Default values are those settings which the NaviTrack II uses if the operator does not choose alternative settings; they can be restored from the Information Menu.

Distortion The impact of near-by fields, other conductors, magnetic flux or other interference on a circular electro-magnetic field. Distortion is detected by comparing the information from the NaviTrack II’s Tracing and Distortion Lines, Proximity Signal, Signal Strength, Measured Depth Display and Signal Angle readings.

Frequency The number of times per second that an electro-magnetic field forms and collapses (or shifts from positive to negative in the case of alternating current). Expressed in hertz (Hz) (cycles per second), or in kilohertz (kHz) (thousands of cycles per second).

‘In Use’ Frequency The frequency the NaviTrack II is currently set to detect. The default ‘In Use’ frequency is 512 Hz (Sonde Mode) or 33 kHz (Active Line Trace Mode). The “In Use” frequency is selected using the Frequency Key from the set of frequencies that are “Checked-Active”.

Informational Locating An advance in the science and art of locating underground utilities and Sondes through the combination of multiple pieces of information in an integrated display. Depends on Omnidirectional antenna arrays for real-time information.

Level Pointer On the NaviTrack II, a solid pointer which moves around a circular track indicating the current Signal Strength being detected. See “Watermark”.

Master Frequency Menu The set of all frequencies that can be used on the NaviTrack II. It is accessed through the Frequency Selection sub-menu.

Measured Depth/Distance The calculated depth or distance to the Sonde or to the apparent center of the conductor being traced. This is a virtual measurement and may be inaccurate if distortion is present. Physical depth must be verified by potholing before excavating.

Mode A distinct operating state or method in which a system can be used. The NaviTrack II has three modes: Active Line tracing, Passive Line Tracing, and Sonde Locating.

Omnidirectional antenna A proprietary antenna technology which combines detection of electro-magnetic fields on three axes simultaneously. The NaviTrack II uses two Omnidirectional antennas.

Operating Screen The display screen of the instrument as seen when locating. It includes an Active View area, where Tracing and Distortion lines appear in Line Trace modes and where Pole and Equator icons appear in Sonde mode. It also includes Measured Depth, Signal Strength, Signal Angle, current and Proximity Signal values depending on the mode and choice of options in use.

Passive Line Tracing A mode of tracing a line which does not use a transmitter to place current on the line. It is used when tracing lines that have externally coupled signals.

Pole Where the field lines from the Sonde exit the ground vertically. One of the two ends of a dipole field, such as the magnetic field of the Earth, or the field around a Sonde. The NaviTrack II displays a Pole icon when it detects the Poles of a Sonde.

Proximity Signal A computed signal which reflects how close the operator is getting to the target utility in Line Trace modes. It is calculated based on the signal received by the two Omnidirectional antenna nodes of the NaviTrack II.

Race Track An optional circular track around the outside of the Active View Area in which the Level Marker moves to show current Signal Strength graphically. It also contains the Watermark which shows the highest level of Signal Strength reached.

Signal Angle The field angle measured relative to the horizontal plane.

Signal Strength The relative strength of the total field signal detected by the lower Omnidirectional antenna in three dimensions.

Sonde A self contained transmitter, often battery-powered, which is used to signal a point within an underground pipe, tunnel, or conduit.

Watermark An optional display icon which shows the highest level of Signal Strength detected. It travels in the Race Track and moves up when the Level Pointer reaches a new high point, providing a graphic indication of the highest signal detected. See Level Pointer.

Chart 1 Troubleshooting

PROBLEM	PROBABLE FAULT LOCATION
The NaviTrack II locks up during use.	Turn the unit OFF, and then back ON. Remove the batteries if the unit will not turn off. If batteries are low, replace them.
NaviTrack II will not pick up the signal.	Check that the correct mode and frequency is set. Examine circuit for possible improvements. Relocate transmitter, change grounding, frequency, etc.
While tracing, lines are “jumping” all over the screen in the mapping display.	<p>This indicates that the NaviTrack II is not picking up the signal or there is interference.</p> <p>Make sure that the transmitter is well connected and grounded. Point the NaviTrack II at either lead to be sure that there is a complete circuit.</p> <p>Try a higher frequency, or connecting to a different point in the line, or switching to inductive mode.</p> <p>Try to determine the source of any noise and eliminate it (Bonded, grounding, etc.).</p>
While locating a Sonde, lines are “jumping” all over the screen.	<p>Check the batteries in the Sonde to see that they are working.</p> <p>Sonde may be too far away; try starting with it closer in if possible, or do an area search.</p> <p>Verify signal by placing lower antenna close to Sonde. NOTE – Sondes have difficulty emitting signals through cast iron and ductile iron lines.</p>
Distance between Sonde and Poles is not equal.	Sonde may be tilted or there may be a cast iron to plastic transition.
Unit acts erratic, won’t power down.	Batteries may be low. Replace with fresh batteries and turn ON.
Display appears completely dark, or completely light when it is turned ON.	<p>Power the unit OFF and then back ON.</p> <p>Adjust the LCD screen contrast.</p>
There is no sound.	Adjust the sound level in the sound menu. Verify Proximity Signal is greater than zero.
NaviTrack II will not turn ON.	<p>Check orientation of batteries.</p> <p>Check that the batteries are charged.</p> <p>Check to see that the battery contacts are OK.</p> <p>Unit may have blown a fuse (Factory service is required).</p>
When using 93kHz frequency the detector does not receive a signal.	Try setting the receiver to the 93-B frequency as described on <i>page 17</i> .

NaviTrack® II

Localisateur de canalisations, câbles et sondes

Brevet en instance



RIDGID[®]

NaviTrack® II

Inscrivez ci-dessous le numéro de série de l'appareil pour future référence.
Voir l'écran signalétique pour la version du logiciel utilisé.

N° de série

Version logiciel

Table des matières

Fiche d'enregistrement du numéro de série de l'appareil et de la version de son logiciel	33
Consignes générales de sécurité	
Sécurité du chantier	35
Sécurité électrique	35
Précautions à prendre avec les piles	35
Sécurité individuelle	35
Utilisation et entretien du NaviTrack II	35
Service après vente	35
Consignes de sécurité spécifiques	
Avis important	36
Spécifications et équipements de base	
Spécifications	37
Équipements de base	37
Accessoires	37
Fréquences	37
Légende des icônes	38
Composants du NaviTrack II	39
Introduction	
Installation et remplacement des piles	40
Mât pliant	40
Écran d'affichage	40
Préparation de l'appareil	42
Localisation des sondes	
Méthodes de localisation	46
Sondes inclinées	47
Mesure des profondeurs (mode Sonde)	48
Ecrêtage (mode Sonde)	48
Traçage des lignes souterraines	
Traçage actif des lignes	49
Traçage passif des lignes	51
Conseils d'utilisation lors des traçages de ligne actifs et passifs	52
Mesure des profondeurs (mode Traçage)	53
Ecrêtage (mode Traçage)	53
Menus et paramètres	53
Paramètres supplémentaires du menu des éléments d'affichage	55
Sélection des fréquences appropriées	56
Écran d'information et rétablissement des paramètres de base	57
Arborescence	58
Un meilleur moyen d'effectuer les localisations	58
Avantages de l'antenne omnidirectionnelle	59
Signal de proximité	60
Localisations « informationnelles »	60
Obtenir le maximum du NaviTrack II	
Supplément sur les localisations informationnelles	60
Observations concernant la précision de l'appareil	61
Entretien du NaviTrack II	
Transport et stockage	62
Installation et utilisation des accessoires	62
Entretien et nettoyage	62
Dépistage des composants défectueux	62
Service et réparations	63
Lexique – définition des termes	64
Dépannage	66
Garantie à vie	Page de garde

Consignes générales de sécurité

MISE EN GARDE ! Familiarisez-vous avec toutes les instructions. Le non-respect des consignes ci-après augmenterait les risques de choc électrique, d'incendie et de graves blessures corporelles.

CONSERVEZ CES INSTRUCTIONS !

Sécurité du chantier

- **Maintenez le chantier en bon état de propreté et bien éclairé.** Les établis encombrés et les endroits sombres peuvent provoquer des accidents.
- **N'utilisez pas de dispositif ou d'appareil électrique dans un milieu explosif, tel qu'en présence de liquides, de gaz ou de poussières lourdes inflammables.** Les dispositifs et appareils électriques produisent des étincelles qui risquent d'enflammer lesdites poussières et vapeurs.
- **Eloignez les curieux, les enfants et les visiteurs lors de l'utilisation de l'appareil.** Les distractions peuvent vous faire perdre le contrôle de celui-ci.

Sécurité électrique

- **N'utilisez pas l'appareil sans ses carters de protection.** Toute exposition aux systèmes internes de l'appareil augmenterait les risques d'accident.
- **Eviter d'exposer l'appareil à l'eau et aux intempéries.** Ne laissez pas la pile se mouiller. Toute pénétration d'eau à l'intérieur des appareils électriques augmente les risques de choc électrique.
- **Ne sondez pas de lignes haute tension.**

Précautions visant les piles

- **Utilisez exclusivement les piles de dimension et de type préconisé. Ne mélangez pas de piles de types différents (ex. : ne pas utiliser de piles alcalines avec des piles rechargeables).** N'utilisez pas de piles partiellement chargées et complètement chargées ensemble (ex. : ne mélangez pas de piles neuves avec des piles anciennes).
- **Rechargez les piles à l'aide des chargeurs spécifiés par leur fabricant.** L'utilisation d'un chargeur inadapté risque de surchauffer la pile et la faire éclater.
- **Recyclez les piles de manière appropriée.** Dans la mesure où l'exposition à des températures élevées risque de faire exploser les piles, elles ne doivent pas être incinérées. Dans certains pays, le recyclage des piles est contrôlé. Le cas échéant, veuillez respecter la réglementation en vigueur.

Sécurité individuelle

- **Restez attentif, faites attention à ce que vous faites et faites preuve de bon sens.** N'utilisez pas cet appareil lorsque vous êtes fatigué, sous l'influence de drogues, de l'alcool ou de médicaments. Un instant d'inattention lors de l'utilisation de l'appareil risque de provoquer de graves blessures corporelles.
- **Il est nécessaire de porter des gants pour raisons sanitaires et de sécurité.** Les égouts sont insalubres et renferment des bactéries et virus dangereux.
- **Ne vous mettez pas en porte-à-faux. Maintenez votre équilibre à tout moment.** Un bon équilibre vous permet de mieux contrôler l'appareil en cas d'imprévu.
- **Prévoyez les équipements de sécurité nécessaires.** Portez systématiquement une protection oculaire. Un masque à poussière, des chaussures antidérapantes, un casque et une protection auditive peuvent s'avérer nécessaires selon le chantier.
- **Utilisez les accessoires appropriés.** Ne posez pas cet appareil sur une surface ou chariot instable. L'appareil risque de se renverser et occasionner de sérieuses blessures à autrui et de s'endommager.
- **Evitez toute pénétration d'objets étrangers ou de liquides.** Ne jamais verser de liquide quelconque sur l'appareil. Toute pénétration de liquides risque non seulement d'augmenter les risques de choc électrique, mais aussi d'endommager l'appareil.
- **Evitez la circulation. Faites très attention aux véhicules qui passent lors de l'utilisation de l'appareil sur ou à proximité des voies routières. Portez des vêtements voyants ou des gilets réflecteurs.** De telles précautions peuvent éviter de graves blessures.

Utilisation et entretien du NaviTrack

- **Respectez les consignes d'utilisation du matériel.** N'utilisez pas le NaviTrack II sans formation appropriée et sans s'être familiarisé avec son mode d'emploi.
- **Ne jamais immerger les antennes dans l'eau. Stockez l'appareil dans un endroit sec.** De telles mesures réduiront les risques de choc électrique et de détérioration de l'appareil.
- **Rangez les appareils non utilisés hors de la portée des enfants et des novices.** Ce type d'appareil peut s'avérer dangereux entre les mains de personnes non initiées.
- **Entretenez soigneusement l'appareil.** Les appareils bien entretenus sont moins susceptibles de provoquer des accidents.

- **Examinez le NaviTrack II pour signes de bris et d'autres anomalies qui risquent de nuire à son bon fonctionnement.** Le cas échéant, l'appareil devra être réparé avant son utilisation. Les appareils mal entretenus sont à l'origine de nombreux accidents.
- **Utilisez exclusivement les accessoires prévus par le fabricant pour le NaviTrack II.** Les accessoires adaptés à un type d'appareil peuvent être dangereux lorsqu'ils sont utilisés avec un autre type d'appareil.
- **Assurez la propreté des poignées en éliminant toutes traces d'huile et de graisse.** Cela vous permettra de mieux contrôler l'appareil.
- **Protégez l'appareil contre une chaleur excessive.** L'appareil doit être éloigné de toutes sources de chaleur, tels que radiateurs, bouches de chauffage, cuisinières et autres articles (y compris les amplificateurs) susceptibles de générer de la chaleur.

Service après vente

- **La réparation de ce type de matériel de diagnostic doit être confiée à un réparateur qualifié.** La réparation ou la révision de l'appareil par du personnel non qualifié augmenterait les risques d'accident.
- **Lors de la réparation de l'appareil, n'utilisez que des pièces de rechange identiques aux pièces d'origine.** Respectez les consignes de la section 'Entretien' de ce manuel. L'utilisation de pièces non autorisées et le manque de respect des consignes d'entretien augmenterait les risques de choc électrique et d'accident.
- **Respectez les consignes visant le remplacement des accessoires.** Les appareils mal entretenus provoquent les accidents.
- **Nettoyez l'appareil de manière appropriée.** Retirez la pile avant son nettoyage. N'utilisez pas de produits de nettoyage liquides ou sous forme d'aérosol. Nettoyez l'appareil à l'aide d'un chiffon humide.
- **Effectuez un contrôle de sécurité de l'appareil.** En fin de toute révision ou réparation, demandez au réparateur d'effectuer un contrôle de sécurité afin d'assurer le bon fonctionnement de l'appareil.
- **Dégâts nécessitant l'intervention d'un réparateur.** Confiez l'appareil à un réparateur qualifié dans les cas suivants :
 - Infiltration de liquides ou d'objets divers ;
 - Mauvais fonctionnement de l'appareil, malgré le suivi des consignes d'utilisation ;
 - Chute ou choc quelconque ;

- Performances anormales notables.

AVERTISSEMENT

Retirez les piles de l'appareil avant de l'expédier.

Veillez adresser toutes questions éventuelles visant la révision ou la réparation de l'appareil aux coordonnées suivantes :

Ridge Tool Company
 Technical Service Department
 400 Clark Street
 Elyria, Ohio 44035-6001
 Tel: (800) 519-3456
 E-mail: TechServices@ridgid.com
 On the Web: www.ridgid.com or
 www.navitrack.com

Veillez indiquer toutes les informations affichées sur la fiche signalétique de l'appareil (numéro de modèle, de série, etc.) lors de toute correspondance.

Consignes de sécurité particulières

▲ MISE EN GARDE !

Lisez le mode d'emploi du NaviTrack II soigneusement avant d'utiliser l'appareil. Tout manque de compréhension ou de respect de son contenu augmenterait les risques de choc électrique, d'incendie et/ou de grave blessure corporelle.

En cas d'incertitudes, consultez les services techniques de la Ridge Tool Company en composant le (800) 519-3456.

Avis important

Le NaviTrack II est un appareil de diagnostic qui détecte les champs électromagnétiques émis par des objets souterrains. Il est sensé aider l'utilisateur à localiser ces objets en reconnaissant les caractéristiques des lignes de champ et en les affichant à l'écran. Dans la mesure où il y a risque de déformation et de distorsion des lignes de champ électromagnétiques, il importe de vérifier la position précise des objets souterrains avant de commencer à creuser.

Plusieurs réseaux souterrains risquent de se trouver au même endroit. Respectez les consignes locales et les procédures d'avertissement des concessionnaires correspondants.

L'exposition des conduites souterraines est le seul moyen de vérifier leur présence, leur position et leur profondeur.

La Ridge Tool Co., ses filiales et ses fournisseurs ne sauraient être tenus responsable en cas de blessure

quelconque ou de dommages directs ou indirects, voire de pertes consécutives, résultant de l'utilisation du NaviTrack II.

Spécifications et équipements de base

Spécifications

Poids avec piles2,35 kg (5,2 livres)

Poids sans piles2,04 kg (4,5 livres)

Dimensions :

Longueur381 mm (15,0 po)

Largeur183 mm (7,2 po)

Hauteur déployé789 mm (31,1 po)

Hauteur replié485 mm (19,1 po)

Alimentation4 piles alcalines type «C» de 1,5 V (ANSI/NEDA 14A, IEC LR14) ou piles rechargeables NiMH ou NiCad de 1,2 V

Puissance nominale6 V / 550 mA

Intensité de signalFonction non linéaire (2000 est 10x plus que 1000, 3000 est 10x plus que 2000, etc.)

Milieu opérationnel

Température-20° C à 50° C (-4° F à 122° F)

HumiditéHumidité relative de 5% à 95%

Température de

stockage-20° C à 60° C (-4° F à 140° F)

Réglages de base

Les réglages de base du localisateur sont :

- Unités de mesure de profondeur : pieds et pouces
- Niveau sonore : 2 (deux niveaux au-dessus de muet)
- Eclairage de fond : Auto
- Fréquence de base (Sonde) : 512 Hz

Réglages optionnels

Les réglages optionnels du localisateur comprennent :

- Unités de mesure de profondeur : mètres
- Niveau sonore : 0 (muet) à 5
- Eclairage de fond : allumé ou éteint
- Mode : traçage de ligne actif, traçage de ligne passif

Équipements de base

Réf. Catalogue	Désignation
96967	Localisateur NaviTrack II
12543	Jalons et pince
22388	Mallette de transport moulée
—	Mode d'emploi (téléchargeable à www.navitrack.com)
—	Guide d'utilisation rapide (téléchargeable à www.navitrack.com)

Accessoires

Réf. Catalogue	Désignation
14818	Transmetteur de ligne NaviTrack (10 Watt)
20168	Transmetteur « béton » NaviTrack (5 Watt)
20503	Pince à induction de 4,75 po
16728	Transmetteur télécommandé (Sonde)
19793	Sondes flottantes (jeu de 2)
12543	Jalons et pince

Fréquences

Fréquences de base

Sonde512 Hz

Traçage de ligne actif128 Hz 1 kHz, 8 kHz, 33 kHz, 262 kHz (European : 93 kHz)

Traçage de ligne passif60 Hz, (9ième)

Fréquences supplémentaires

Sonde16 Hz, 640 Hz, 850 Hz, 8 kHz, 16 kHz, 33 kHz

Traçage de ligne actif200 kHz

Traçage de ligne passif50 Hz (9ième)








Valeurs nominales et exactes des fréquences (NaviTrack II)

Sonde		
16 Hz	16,0 Hz	
512 Hz	512,0	
640 Hz	640,0	
850 Hz	850,0	
8 kHz	8 192,0	
16 kHz	16 384,0	
33 kHz	32 768,0	
Traçage de ligne actif	128 Hz	128,0
1 kHz	1 024,0	
8 kHz	8 192,0	
33 kHz	32 768,0	
200 kHz	200 000,0	
262 kHz	262 144,0	
Traçage de ligne passif	50 Hz (9ième harmonique)	450
60 Hz (9ième harmonique)	540 Hz	
Normes européennes	93 kHz	93 696,0
93 kHz -B	93 622,9	


(Se reporter au nota de la page 50 sur les fréquences de 93 kHz)

Légende des icônes

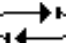

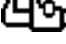


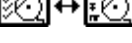




Icônes du clavier

-  Touche de navigation ascendante
-  Touche de sélection – Sélections au menu
Mode Sonde : Forcer profondeur, centrer audio
Mode Traçage de ligne : Forcer activation d’affichage
« carte » si intensité de signal centrée, centrer audio
-  Touche de navigation descendante
-  Touche Marche/Arrêt
-  Touche Menu
-  Touche Fréquence
-  Touche Son

Icônes de l'écran d'affichage

-  Fréquence de sonde
-  Fréquence de traçage actif
-  Signal de proximité
-  Intensité du signal
-  Profondeur/Distance mesurée
-  Indicateur d'angle du signal (mode Sonde)
-  Indicateur d'angle du signal (mode Traçage)
-  Icône des pôles
-  Ligne d'équateur de sonde
-  Niveau sonore
-  Niveau des piles
-  Témoin Piles déchargées (clignotant)
-  Pointeur de niveau (Intensité de signal)
-  Filigrane (intensité de signal)
-  Manque de signal de sonde
-  Manque de signal de traçage
-  Tracé (signal de l'antenne inférieure)
-  Distorsion (signal de l'antenne supérieure)
-  Ecrêtage du signal

Icônes du menu

-  Remise à zéro (éléments de base)
-  Case à cocher au menu
-  Menu Outils
-  Réglages d'éclairage de fond
-  Réglage du contraste de l'écran
-  Paramètres de l'écran
-  Paramètres du menu
-  Ecran signalétique
-  Compteur à rebours de sortie auto du menu
-  Sortir/Monter d'un niveau (Appuyer sur la touche Menu)

Composants du NaviTrack II



NOTA : Les ports USB et série servent au téléchargement des logiciels nouveaux

Figure 1

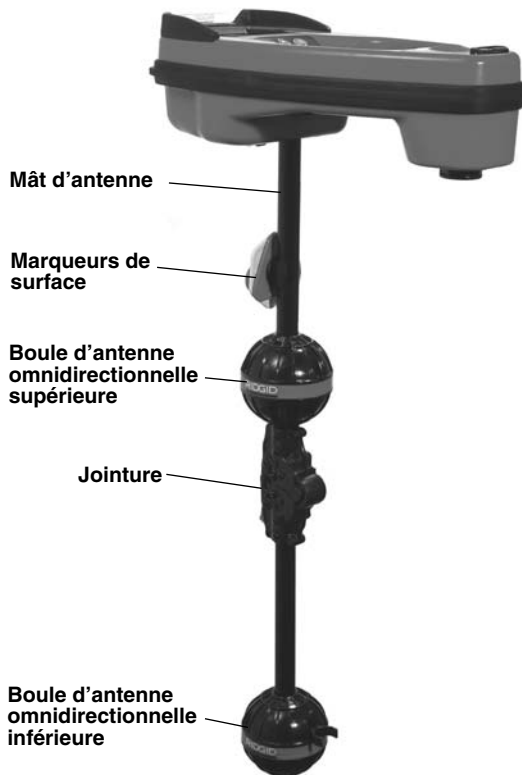


Figure 2



Figure 3

Introduction

Installation et remplacement des piles

Pour installer les piles dans le NaviTrack II, tournez l'appareil à l'envers afin d'accéder au compartiment des piles. Tournez le bouton du couvercle du compartiment à gauche pour retirer le couvercle. Introduisez les piles de la manière indiquée à l'intérieure, en vous assurant qu'elles tombent jusqu'au fond du compartiment pour faire contact.

Réinstallez le couvercle sur le compartiment et, en appuyant légèrement, tournez le bouton à droite pour le verrouiller. Le couvercle du compartiment des piles peut être orienté dans un sens comme dans l'autre.



Figure 4 – Compartiment des piles

Une fois le NaviTrack II allumé, la vérification des piles prendra quelques secondes. Dans l'intérim, l'indicateur de charge restera à « zéro ».

AVERTISSEMENT Ne pas permettre l'infiltration de débris ou d'humidité à l'intérieur du compartiment des piles. Les débris et l'humidité risquent de court-circuiter les piles et provoquer une décharge rapide capable d'entraîner une fuite d'électrolyte ou un incendie.

Mât pliant

En début d'opération, déployez le mât d'antenne et verrouillez-le au niveau de l'articulation. En fin d'opération, appuyez sur le bouton de déverrouillage rouge et repliez le mât avant stockage.

AVIS IMPORTANT ! Ne pas fouetter le mât pour l'ouvrir ou le fermer. Le mât doit être ouvert manuellement.

NOTA ! Evitez de traîner la boule d'antenne inférieure du NaviTrack II au sol lors des localisations. Cela risquerait de provoquer des parasites susceptibles de fausser les résultats et d'endommager l'antenne.

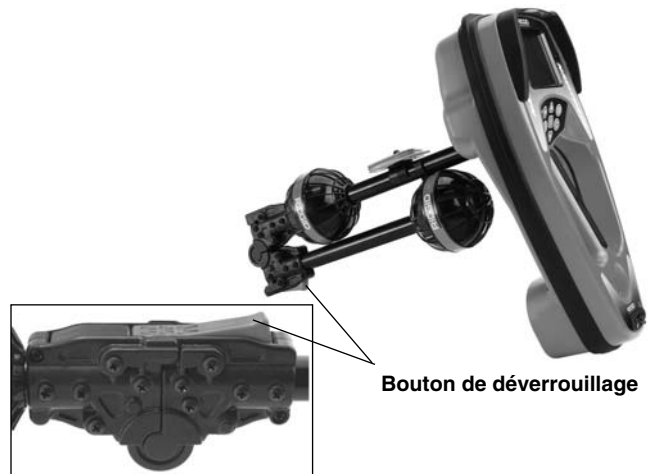


Figure 5 – Mât d'antenne pliant et bouton de déverrouillage

Modes de fonctionnement du NaviTrack II

Le NaviTrack II utilise trois modes de fonctionnement distincts, à savoir :

1. Mode « Sonde », utilisé pour la localisation des sondes à l'intérieur des canalisations, conduits ou tunnels non conducteurs ou autrement indétectables.
2. Mode « Traçage de ligne actif », utilisé lorsqu'une fréquence prédéterminée peut être appliquée à un long conducteur par un transmetteur de ligne pour la localisation des tuyaux, lignes ou câbles conducteurs.
3. Mode « Traçage de ligne passif », utilisé pour le traçage des lignes électriques déjà sous courant de 60 Hz (Etats-Unis) ou de 50 Hz (Europe).

Notez qu'à l'exception des fréquences utilisées, les deux modes de traçage (actif et passif) sont identiques. Aucun transmetteur n'est utilisé en mode de traçage passif.

Ecran d'affichage

Les utilisateurs débutants et chevronnés peuvent utiliser le NaviTrack II avec autant de facilité. Quoique le NaviTrack II offre des caractéristiques avancées pour faciliter les localisations complexes, bon nombre de celles-ci peuvent être neutralisées ou cachées afin de simplifier l'affichage lors des localisations de base dans des situations peu compliquées.

Les « caractéristiques de base » du NaviTrack II sont implicites. Elles peuvent être facilement modifiées pour correspondre aux besoins de l'utilisateur. L'exploitation des divers éléments affichés est couverte dans les sections suivantes du manuel.

Eléments d'affichage en commun

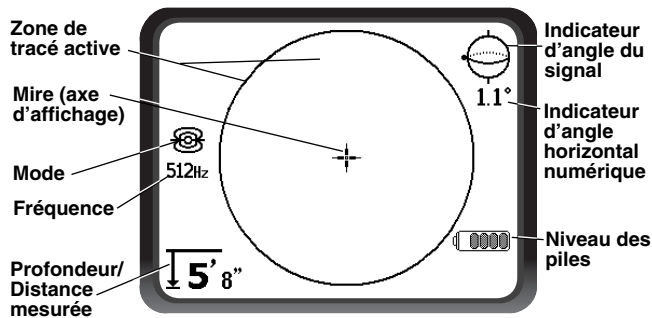


Figure 6 – Eléments d'affichage en commun

Qu'il soit en mode Sonde ou en mode Traçages de ligne actif ou passif, l'écran d'affichage comprendra les caractéristiques suivantes :

Indicateur d'angle du signal – Schéma de l'angle vers le centre du champ ; la valeur numérique est indiquée en dessous du schéma.

Niveau des piles – Indication du niveau de charge des piles.

Profondeur/Distance mesurée – Affichage de la profondeur mesurée lorsque le récepteur touche le sol directement à l'aplomb de la source du signal. Affichage de la distance calculée lorsque le mât d'antenne est orienté vers la source du signal d'une autre manière quelconque. Affichage en pieds et en pouces (modèle USA) ou métrique (modèle Europe).

NOTA ! La profondeur mesurée est un chiffre calculé qui risque de varier de la profondeur ou distance réelle selon la force et distorsion de champ rencontrées.

Fréquence – Indication de la fréquence utilisée en hertz ou kilohertz.

Mode – Icône « Sonde » « Traçage de ligne actif » ou « Traçage de ligne passif » .

+ Mire (axe d'affichage) – Indication de la position relative de l'appareil par rapport au centre de la cible.

Zone de tracé active – La zone dans le cercle au centre de l'écran d'affichage dans laquelle les icônes « Sonde » et « Pôle » et les lignes « Tracé » et « Distorsion » apparaissent.

Eléments d'affichage en mode « Sonde »

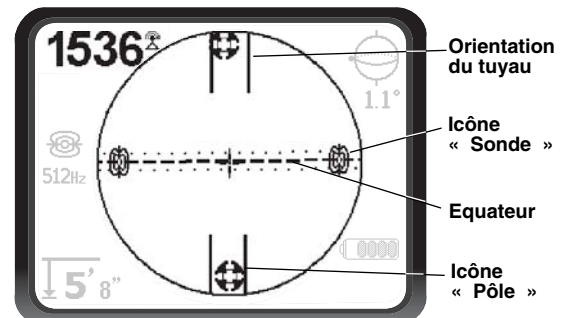


Figure 7 – Eléments d'affichage du mode « Sonde »

Intensité du signal – L'intensité du signal reçu par l'antenne omnidirectionnelle inférieure.

Orientation du tuyau – Représentation de l'orientation approximative du tuyau dans lequel se trouve la sonde.

Icône « Sonde » – Parait à l'affichage lorsque l'on approche la position de la sonde.

Equateur – Représentation de l'axe perpendiculaire du champ de la sonde par rapport à l'axe des pôles. (Voir à la page 47).

Icône « Pôle » – Représentation de l'un ou l'autre des deux pôles du champ bipolaire de la sonde. (Voir à la page 47).

Eléments d'affichage en mode « Traçage de ligne actif »

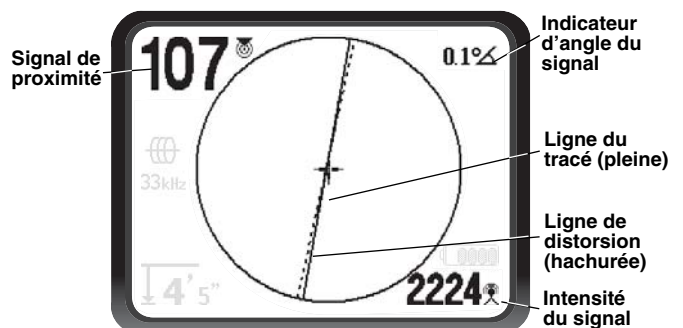


Figure 8 – Eléments d'affichage en mode « Traçage de ligne »

Les caractéristiques suivantes seront également affichées en mode de traçage de ligne actif :

Signal de proximité – Indication numérique de la proximité de la source du signal par rapport au localisateur. Affichage de 1 à 999 (modes de traçage de ligne uniquement).

Intensité du signal – Indication de l'intensité du signal reçu par l'antenne omnidirectionnelle inférieure.

----- **Ligne de distorsion (signal d'antenne supérieure)**
 – Indication de l'orientation apparente du champ détecté par l'antenne supérieure. Indication de la distorsion du champ en cas de désalignement avec la ligne du tracé.

— **Ligne du tracé (signal d'antenne inférieure)** – Indication de l'orientation apparente du champ détecté par l'antenne inférieure.

Éléments d'affichage en mode « Traçage passif »

Les éléments d'affichage en mode de traçage passif sont identiques à ceux du mode de traçage actif.

NOTA ! Le mode est déterminé par le type de source utilisée (sonde ou ligne). Par exemple, la sélection de la fréquence de 512 Hz au niveau de la section « mode : Sonde » du menu des fréquences met le SR-20 en mode « Sonde ». (Une fréquence, telle que 33 kHz, doit être sélectionnée à partir de la catégorie appropriée si celle-ci paraît dans plusieurs catégories).


Fréquences de base

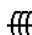
Le menu principal des fréquences comprend une grande variété de fréquences dont seulement certaines sont rendues disponibles. Ces dernières sont rendues « disponibles » en les cochant sur le menu principal des fréquences, comme indiqué à la page 56. Les fréquences disponibles apparaissent au menu principal dès que l'on appuie sur la touche « Menu ».

Les fréquences « disponibles » peuvent être cochées à partir du menu principal, ce qui les fera apparaître lors de l'utilisation de la touche « Fréquence ». Si elles n'ont pas été cochées sur le menu principal, elles n'apparaîtront pas lors de l'utilisation de la touche « Fréquence » pour parcourir les fréquences. Les fréquences qui paraissent au menu principal et qui sont cochées pour activation sont dénommées « fréquences cochées ».

Les fréquences cochées peuvent être parcourues en appuyant simplement sur la touche « Fréquences » (voir la Figure 9). La fréquence sélectionnée en appuyant sur la touche « Fréquences » devient la fréquence utilisée.

Les fréquences de base disponibles comprennent :

 **Mode « Sonde »**
 • 512 Hz

 **Mode « Traçage de ligne actif »**
 • 128 Hz
 • 33 kHz
 • 1 kHz
 • 8 kHz
 • 262 kHz

 **Mode « Traçage de ligne passif »**
 • 60 Hz (alimentation)

L'utilisation des fonctions précédentes est couverte dans les sections « Localisation des sondes », « Traçage de ligne actif » et « Traçage de ligne passif ».

Clavier

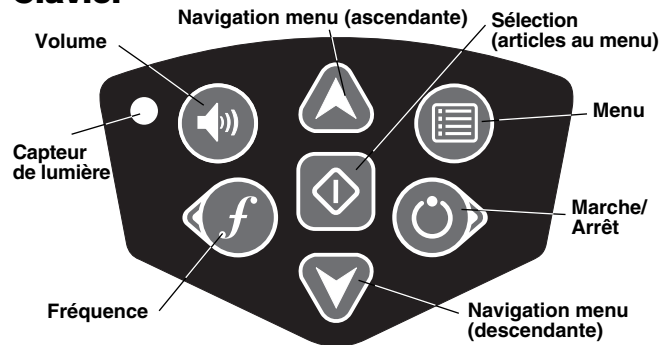







Figure 9 – Clavier


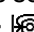
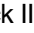

 **Marche/Arrêt** – Mise en marche du NaviTrack II. Mise hors tension automatique du NaviTrack II après compte à rebours de 3 secondes. Le compte à rebours peut être interrompu avant l'arrêt de l'appareil en appuyant sur une touche quelconque.

 **Flèches ascendante et descendante** – Localisation des choix au menu ; réglage du son une fois la touche « Son » appuyée.

 **Sélection** – Sélection des articles au menu ; en cours d'utilisation normale, elle sert à forcer l'affichage d'une profondeur mesurée et à recentrer la sonorité. Elle peut servir à forcer l'affichage de profondeur. Réglage du son dans le menu « Son ».

 **Menu** – Affichage en arborescence des sélections de fréquence, affichage d'éléments sélectionnés, réglages de luminosité et contraste, et la restauration des paramètres de base. Appuyez sur celle-ci pour aller au niveau suivant.

 **Volume** – Augmentation ou diminution de l'intensité sonore ; augmentation progressive du volume existant jusqu'au maximum, puis remise à zéro. Appuyer sur la touche « Volume » pour activer ou désactiver cette fonction. Le volume peut être également augmenté ou diminué en utilisant les flèches ascendante et descendante lorsque la fonction « Volume » est activée.

 **Fréquence** – Réglage de la fréquence utilisée par le NaviTrack II à partir d'un groupe de fréquences cochées. La liste des fréquences cochées peut être modifiée à l'aide de la touche « Menu ». Les fréquences sont regroupées sous trois rubriques différentes : fréquences « Sonde » , fréquences « Traçage de ligne » , et fréquences « Sous tension » . Chaque utilisation de

la touche « Fréquence » amène à la fréquence cochée suivante.

Capteur de lumière – Détection de la lumière ambiante et activation de l'éclairage de fond sous conditions peu lumineuses. Il est possible de forcer l'activation de l'éclairage de fond en occultant le capteur du pouce.


Durée de fonctionnement

Avec des piles alcalines, la durée de fonctionnement va d'environ 12 à 24 heures selon le réglage du niveau sonore et la fréquence d'utilisation de l'éclairage de fond. Parmi les autres facteurs qui peuvent influencer la durée de fonctionnement se trouvent la composition des piles (en cas d'utilisation intense, certaines nouvelles piles hautes performances, telles que les piles « Duracell® ULTRA™ » ont une durée de 10 à 20 pour cent supérieure aux piles alcalines traditionnelles). L'utilisation de l'appareil à basses températures ambiantes réduira aussi la longévité des piles.

L'écran du NaviTrack II risque aussi d'afficher des symboles aléatoires lorsque les piles sont trop faibles pour mouvoir les circuits logiques internes correctement. On peut y remédier en remplaçant tout simplement les piles.

Afin de conserver les piles, le NaviTrack II s'éteindra automatiquement si, au bout d'une heure, aucune touche n'a été appuyée. Il s'agit alors simplement de rallumer l'appareil pour continuer à l'utiliser.

Avertissement « piles déchargées »

Lorsque les piles deviennent faibles, un icône « Piles »  paraît dans la zone cartographique de l'écran. Ceci indique que les piles doivent être remplacées et que l'appareil s'éteindra sous peu.

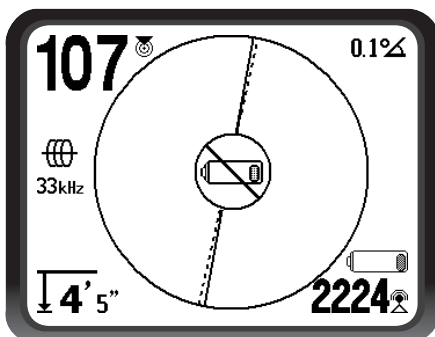



Figure 10 – Affichage de l'avertissement « piles déchargées »

Juste avant que l'appareil s'arrête complètement, il tamamera une séquence de mise hors tension irréversible.

NOTA ! La chute de tension des piles rechargeables est souvent tellement rapide que l'appareil s'arrête tout simplement. Il s'arrêtera, puis se rallumera. Il s'agit alors de remplacer les piles et de remettre l'appareil en marche.

Mise en route

En appuyant sur la touche « Marche/Arrêt » , le logo RIDGID® s'affiche sur l'écran, accompagné, en bas à gauche, de la version du logiciel utilisé.

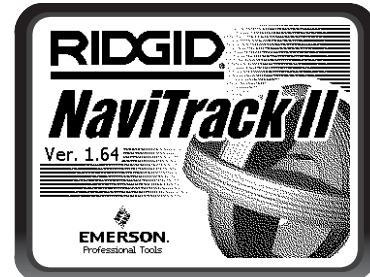


Figure 11 – Ecran de mise en route

La version européenne se distingue par la présence du logo « CE ».

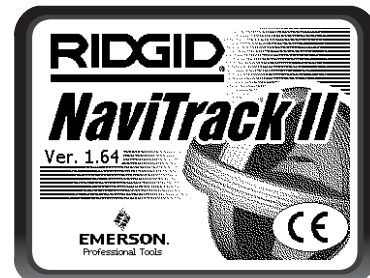


Figure 12 – Ecran de mise en route européen

Notez la version du logiciel dans la case correspondante de la page 33 du manuel. Celle-ci sera utile en cas de recours aux services techniques Ridge.

Préparation

Une fois le NaviTrack II allumé, la prochaine étape est la mise en place des fréquences qui correspondent à la sonde, au transmetteur ou à la ligne à localiser.

Chaque fréquence est sélectionnée à partir d'une liste au menu principal. Lorsque la case du menu principal correspondant à une fréquence donnée est cochée, cette fréquence devient une « fréquence cochée » et donc, active.

Les fréquences cochées sélectionnées sont affichées en série en appuyant sur la touche « Fréquences » *f*. Par exemple, la fréquence de sonde de 512 kHz est rendue disponible en appuyant sur la touche « Fréquence ».

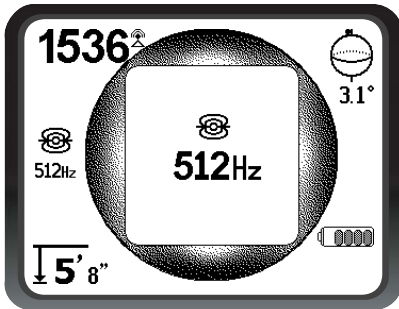


Figure 13 – Fréquence de sonde sélectionnée à l'aide de la touche « Fréquence »

Activation des fréquences

Des fréquences peuvent être sélectionnées pour un groupe de fréquences cochées afin d'être rendues disponibles en appuyant sur la touche « Fréquences » *f*. Parallèlement, certaines fréquences peuvent être désactivées afin d'obtenir un groupe de fréquences plus petit.

Chaque fréquence est activée en la sélectionnant à partir d'une liste qui se trouve au menu principal (voir la Figure 15). Les fréquences sont regroupées par catégorie :

Sonde 

Traçage de ligne actif 

Traçage de ligne passif (sous tension) 

1. Appuyez sur la touche « Menu » :



Figure 14 – Touche « Menu »

Le menu principal est alors activé :

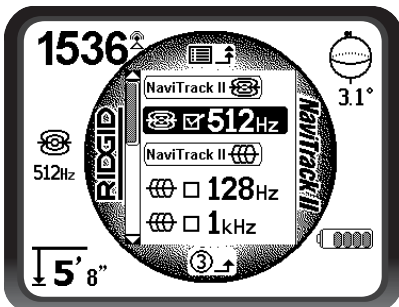


Figure 15 – Menu principal

2. A l'aide des flèches ascendante et descendante, surlignez la fréquence voulue. A la Figure 16 ci-dessous, l'utilisateur est en train d'activer une fréquence de 128 Hz.

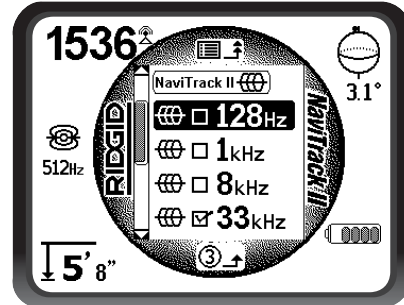


Figure 16 – Fréquence voulue (128 Hz) surlignée

3. Appuyez sur la touche de sélection (indiquée ci-dessous) pour cocher la case de chaque fréquence dont l'utilisation est envisagée.

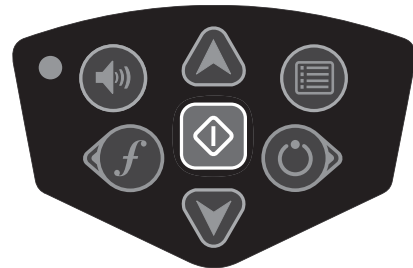


Figure 17 – Touche de sélection

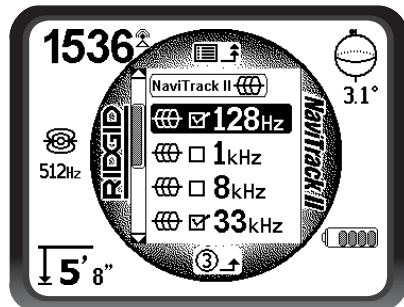


Figure 18 – Fréquence voulue cochée

4. Les cases à côté des fréquences sélectionnées seront alors cochées. Celles-ci sont désormais considérées des fréquences cochées actives.
5. Appuyez à nouveau sur la touche « Menu » pour accepter les sélections et quitter. La dernière fréquence active cochée sera alors la fréquence utilisée.



Figure 19 – Touche « Menu »

Le menu principal montre l'ensemble des fréquences actuellement disponibles pour activation. Consultez la section « Contrôle des sélections de fréquence » de la page 56 pour l'addition de fréquences supplémentaires au menu principal en vue des les activer ultérieurement. Les versions européennes du NaviTrack II comprennent en outre une fréquence de traçage de ligne de 93 kHz. Voir la note de la page 50 concernant l'exploitation de cette fréquence.

Les sons du NaviTrack II

Le niveau sonore est fonction de la proximité de la cible. Plus on se rapproche de la cible, plus le ton devient aigu. Un son de plus en plus aigu est indicatif d'un signal de plus en plus puissant.

En mode « Sonde », si le ton arrive au maximum, il se « recalera » à un niveau moyen et reprendra à partir de ce point.

En mode « Sonde », le ton oscillera vers le haut. C'est à dire qu'il montera et retombera en approchant la sonde. En s'éloignant de la sonde, il tombera pour rester à un niveau plus bas tant que l'on s'éloigne de la sonde. Revenir vers la sonde le fera monter et descendre à nouveau à partir du niveau auquel il était auparavant. Ceci sert d'indicateur de rapprochement ou d'éloignement de la sonde.

En mode de traçage de ligne ou de traçage de ligne passif, le ton suit une courbe progressive et ne se recalc pas.

Quel que soit le mode utilisé, il est possible de recentrer le son à un niveau moyen en appuyant sur la touche de sélection en cours d'opération.

Localisation des sondes

Le NaviTrack II peut servir à la localisation du signal émit par une sonde (transmetteur) située dans une canalisation souterraine de manière à déterminer sa position à partir du terrain naturel. Les sondes peuvent être placées à un endroit problématique de la canalisation à l'aide d'un pousoir ou d'un câble de caméra. Il est aussi pos-

sible de les chasser le long de la canalisation. Les sondes servent souvent à localiser les tuyaux ou conduits non conducteurs.

AVIS IMPORTANT ! L'intensité du signal est le facteur clé dans la localisation d'une sonde. Afin de garantir une localisation précise, assurez-vous d'avoir obtenu l'intensité de signal optimale avant de marquer une zone de terrassement.

Le scénario suivant sous-entend une sonde placée dans une canalisation horizontale, un terrain naturel sensiblement de niveau, et le NaviTrack tenu avec son mât d'antenne à la verticale.

Le champs d'une sonde ne ressemble pas au champs circulaire d'un long conducteur tel qu'un tuyau ou câble, mais plutôt au champs magnétique de la terre, avec un pôle Nord et un pôle sud.

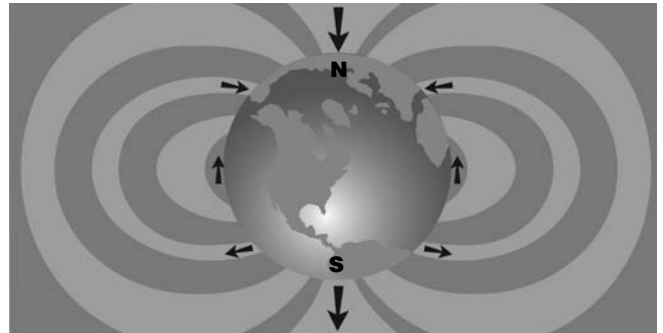



Figure 20 – Champ bipolaire de la terre

Le NaviTrack II sert à détecter les points à chaque extrémité du champs de la sonde, là où les lignes de champs redescendent à la verticale, pour les marquer d'icônes de « pôle »  sur la carte affichée. Le NaviTrack II affiche également une ligne traversant la sonde à distance égale des deux pôles, appelée « l'équateur » en raison de sa similitude avec celui d'une carte du monde tenue à l'horizontale.

A noter que grâce aux antennes omnidirectionnelles du NaviTrack, le signal reste stable quelle que soit leur orientation. Cela veut dire que le signal augmentera uniformément en se rapprochant de la sonde, et diminuera uniformément en s'en éloignant.

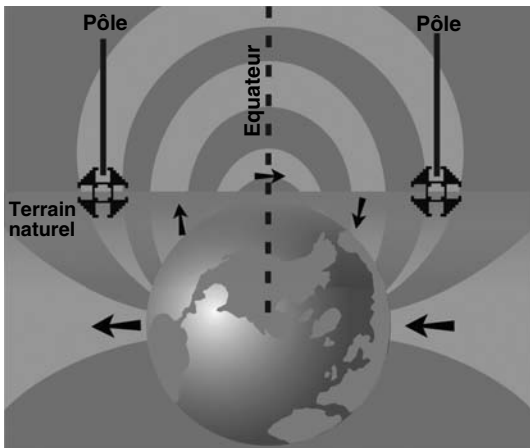


Figure 21 – Champ bipolaire de la terre (vu à l’horizontale)

Lors de la localisation d’une sonde, effectuez les préparatifs suivants :

Activez la sonde avant de la placer dans la canalisation. Sélectionnez la même fréquence sur le NaviTrack II, puis vérifiez qu’il reçoit bien le signal.

Une fois que la sonde a été envoyée dans le tuyau, allez jusqu’à l’endroit présumé de la sonde. Si l’orientation de la canalisation est inconnue, poussez la sonde moins loin dans la conduite (moins de 4m50 du point d’entrée serait un bon début).

Méthodes de localisation

Il existe trois étapes principales dans la localisation des sondes. La première est de localiser la sonde. La seconde est de préciser cette localisation. La troisième est de la vérifier.

1ère étape : Localisation de la sonde

- Tenez le NaviTrack avec son antenne à l’horizontale. Balayez le mât d’antenne dans la direction supposée de la sonde, tout en observant l’intensité du signal et en écoutant le son. Le signal maximum sera obtenu lorsque le mât est orienté en direction de la sonde.
- Baissez le mât d’antenne jusqu’à sa position normale, puis marchez en direction de la sonde. En se rapprochant de la sonde, l’intensité du signal augmente et le ton sonore devient plus aigu. Servez-vous du signal et du ton pour obtenir le signal maximum.
- Maximalisez le signal. Lorsqu’il semble avoir atteint son maximum, amenez le NaviTrack II près du sol à cet endroit. N’oubliez pas de tenir le récepteur à une distance constante du sol, car la distance a une influence sur l’intensité du signal.
- Notez l’intensité du signal obtenu, puis éloignez-vous de ce point dans toutes les directions. Eloignez le NaviTrack II suffisamment en toutes directions pour

vérifier que l’intensité du signal baisse sensiblement de tous côtés. Marquez l’endroit où l’intensité de signal est la plus élevée avec un des marqueurs de sonde attachés au mât. Cet endroit correspondra à la position soupçonnée de la sonde.

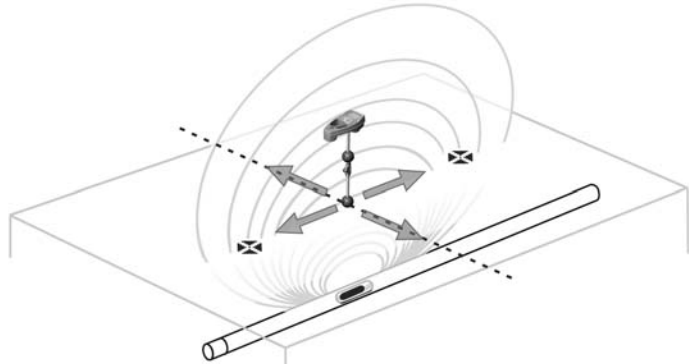



Figure 22 – Pôles et équateur de la sonde

Si, en se rapprochant, l’équateur paraît à l’écran, suivez-le en direction du signal croissant pour localiser la sonde.

Si un des pôles paraît avant que ne paraisse l’équateur, localisez la sonde en centrant le pôle dans la mire.

2ième étape : Précision de la localisation

Les pôles  doivent paraître de part et d’autre du point de signal maximum, à distance égale des deux côtés si la sonde est de niveau. Si, au point de signal maximum, ils n’apparaissent pas à l’écran, éloignez-vous du point maximum en direction perpendiculaire à ligne en pointillé (l’équateur) jusqu’à ce que l’un d’eux apparaisse. Centrez le localisateur sur le pôle.

La position des pôles dépend de la profondeur de la sonde. Plus la sonde est profonde, plus les pôles en seront éloignés.

La ligne en pointillé représente l’équateur de la sonde. Si la sonde n’est pas inclinée, l’équateur interceptera la sonde au point de signal maximum et de profondeur mesurée minimale.

NOTA ! Le fait de se trouver sur l’équateur n’indique pas nécessairement que le localisateur se trouve à l’aplomb de la sonde. Vérifiez systématiquement la localisation en obtenant un signal maximum et en marquant les deux pôles.

- Marquez l’emplacement du premier pôle trouvé avec un des marqueurs triangulaires rouges. Lorsque l’appareil arrive au centre du pôle, un indicateur à double ligne apparaît. Cette double ligne représente la position de la sonde enterrée, et (dans la majorité des cas) son orientation approximative.
- Lorsque le localisateur se rapproche d’un pôle, une

loupe apparaît au centre du pôle pour permettre son centrage précis.

- Le deuxième pôle se trouvera à une distance semblable du côté opposé de la sonde. Repérez-le de la même manière, puis marquez-le avec un marqueur triangulaire rouge.
- Si la sonde est de niveau, les trois marqueurs devraient être alignés, et les marqueurs de pôle rouges devrait se trouver sensiblement à distance égale du marqueur de sonde jaune. Sinon, il est possible que la sonde soit inclinée (voir *Sonde inclinée à la page 47*) Sauf distorsion importante, la sonde se trouvera dans l'axe des deux pôles.

3ième étape : Vérification de la localisation

- Il importe de vérifier la localisation de la sonde en comparant les informations obtenues par le récepteur au signal maximum. Eloignez le NaviTrack II du signal maximum afin de vérifier que le signal s'affaiblit dans toutes les directions. Eloignez l'appareil suffisamment pour obtenir une chute de signal notable dans chaque direction.



Figure 23 – Localisation de sonde : l'équateur

- Vérifiez à nouveau la position des deux pôles.
- Assurez-vous que la « profondeur mesurée » affichée au droit du point de signal maximum paraît raisonnable et régulière. Si elle vous semble trop ou pas assez importante, assurez-vous qu'il y a bien un signal maximum à cet endroit.
- Vérifiez l'alignement des deux pôles et du point de signal maximum.

AVIS IMPORTANT ! N'oubliez pas que le fait de se trouver sur l'équateur ne veut pas nécessairement dire que l'on est à l'aplomb de la sonde. Voir les deux pôles alignés sur l'écran ne peut pas se substituer aux opérations de centrage et de marquage des pôles précédemment décrites.

Si les pôles ne sont pas visibles, étendez les recherches.

Servez-vous du niveau à bulle pour assurer un maximum de précision. Le mât doit IMPÉRATIVEMENT se trouver à la verticale lors du marquage des pôles et de l'équateur. Sans quoi, leur repérage manquera de précision.

L'ordre de repérage des pôles et de l'équateur n'a pas d'importance. Vous pouvez même localiser la sonde simplement à l'aide de l'intensité de signal, pour ensuite vérifier vos résultats à l'aide des pôles et de l'équateur. Ce qui prime est de vérifier toutes les données et de marquer la position de la sonde là où l'intensité de signal est au maximum.

Sondes inclinées

Si la sonde est inclinée, un des pôles sera plus rapproché de la sonde que l'autre, et celle-ci ne se trouvera plus à mi-chemin entre les deux pôles. Si la sonde se trouve à la verticale (voire, si elle tombe dans une crevasse le long de la canalisation), le signal du pôle le plus proche devient alors nettement plus intense que celui du pôle plus éloigné, mais elle peut toujours être localisée.

Lorsqu'une sonde est à la *verticale*, ce que l'on voit à l'écran est un simple pôle au point de signal maximum. (La sonde flottante de RIDGID est conçue de manière à permettre la « visualisation » d'un seul de ses pôles, en plus d'être lestée de façon à maintenir la sonde à la verticale. Voir le *Nota ci-dessous*.)

Il faut savoir qu'une sonde très inclinée risque de produire des décalages au niveau des indications de pôle et d'équateur en raison de l'angle de la sonde. Cependant, un signal maximum mènera toujours à l'endroit le plus propice.

Sondes flottantes

Certaines sondes sont prévues pour être chassées (voire, flottées) le long du fil d'eau d'une canalisation. Dans la mesure où ce type de sonde peut dévier de sa trajectoire beaucoup plus facilement qu'une sonde torpille, elles peuvent être orientées dans n'importe quelle direction à l'intérieur du tuyau. Cela veut dire que l'équateur risque d'être déformé par son inclinaison éventuelle, et que la position des pôles risque de varier. La seule manière de garantir la localisation d'une sonde flottante est en suivant le signal maximum, suivi d'un éloignement multidirectionnel afin de vérifier cette position.

NOTA ! Lorsqu'une sonde se déplace, il sera peut-être plus facile de « poursuivre » d'abord un de ses pôles, pour ensuite préciser la position exacte de la sonde une fois qu'elle se sera immobilisée.


Mesures de profondeur (mode « Sonde »)

Le NaviTrack II effectue son calcul de la « profondeur mesurée » en comparant l'intensité du signal reçu par l'antenne inférieure à celle du signal reçu par l'antenne supérieure. La profondeur mesurée est approximative et correspond normalement à la profondeur réelle lorsque le mât est tenu à la verticale et que l'antenne inférieure touche le sol directement à l'aplomb de la source du signal, *sous réserve qu'il n'y a pas de distorsion*.

1. Pour mesurer la profondeur, posez le localisateur au sol, directement à l'aplomb de la sonde

2. La profondeur mesurée sera alors affichée au coin inférieur gauche de l'écran du NaviTrack II.
3. L'affichage de la profondeur mesurée peut être forcé en appuyant sur la touche de sélection en cours de localisation.
4. La profondeur mesurée ne sera précise qu'en l'absence de distorsion du signal.

Ecrêtage (mode « Sonde »)

Parfois, le signal sera trop intense pour permettre au récepteur de l'analyser entièrement, un phénomène appelé « écrêtage ». Le cas échéant, une mise en garde  apparaîtra à l'écran pour indiquer un signal particulièrement intense.

NOTA ! En cas d'écrêtage, l'affichage de profondeur mesurée sera désactivé.

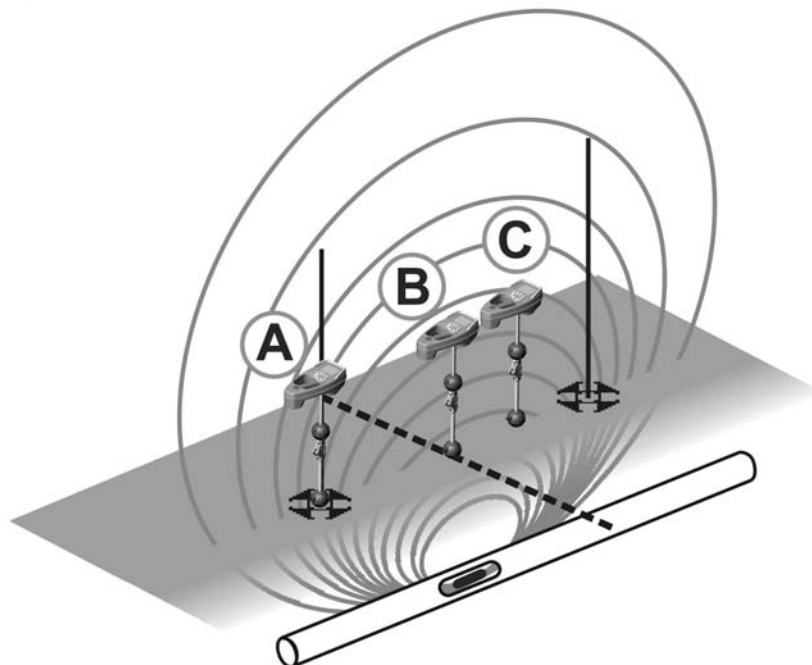
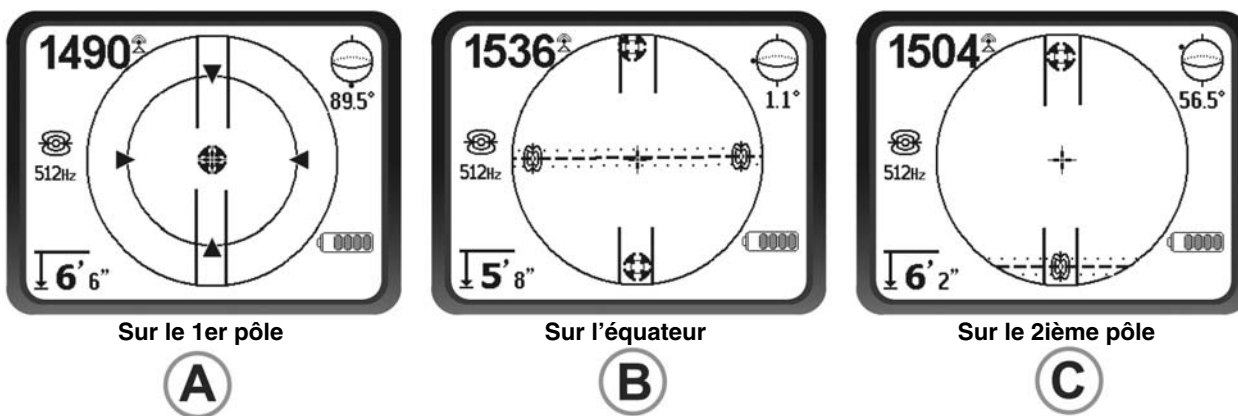


Figure 24 – Affichages obtenus à différents endroits (mode « Sonde »)

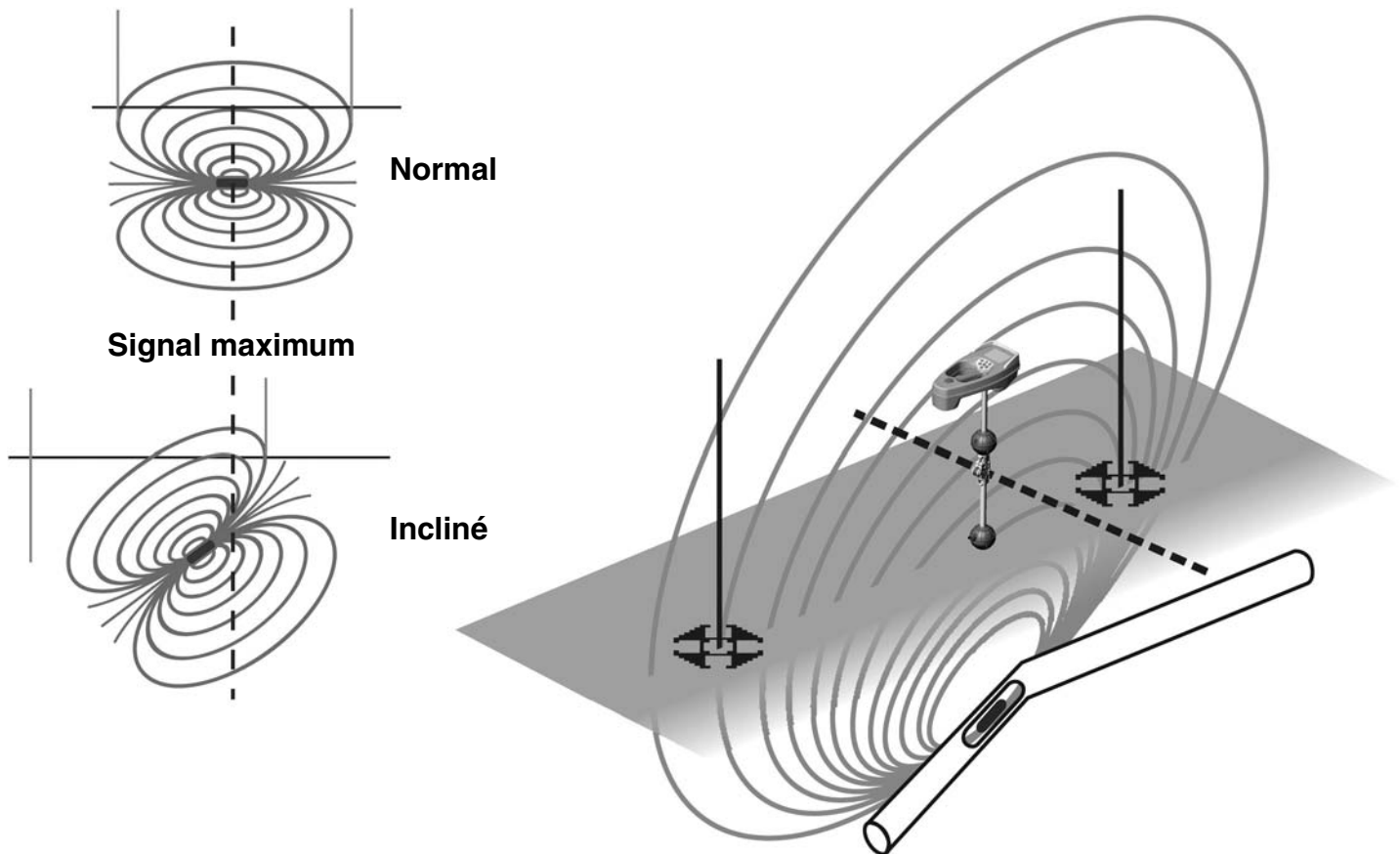


Figure 25 – Sonde, pôles et équateur inclinés

Notez que dû à l'inclinaison, le pôle de droite se trouve plus près de l'équateur.

Traçage de ligne

Traçage de ligne actif

En traçage de ligne actif, les conduites souterraines sont mises sous tension par un transmetteur de ligne. Ce signal actif est ensuite tracé par le NaviTrack II. A la différence des sondes, un transmetteur de ligne sert à tracer une conduite sous tension, plutôt que de servir de cible à localiser. Les transmetteurs de ligne mettent les conduites sous tension soit en utilisant des pinces pour créer une connexion directe, en induisant un signal à l'aide d'une pince ou en induisant un signal à l'aide de bobines d'induction incorporées au transmetteur.

1. Mettez la ligne sous tension selon les instructions du fabricant. Sélectionnez la fréquence du transmetteur.

⚠ DANGER

Connectez les deux câbles du transmetteur avant d'allumer le transmetteur afin d'éviter les chocs électriques.

Réglez la fréquence du NaviTrack II pour qu'elle corresponde à celle du transmetteur. Assurez-vous que celle-ci s'accompagne de l'icône « Traçage de ligne ».

Appuyez sur la touche « Menu » pour revenir à l'écran opérationnel.

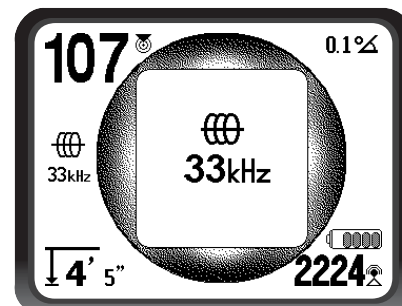


Figure 26 – Fréquence de traçage de ligne sélectionné à l'aide de la touche « Fréquence »

(Cet écran clignotera brièvement lorsqu'une nouvelle fréquence est sélectionnée)

2. Observez indicateurs de proximité et d'intensité de signal pour vous assurer que le NaviTrack II reçoit bien le signal transmis (*se reporter à la Figure 27*). Le signal devrait atteindre sa crête à l'aplomb de la ligne, et chuter de part et d'autre. L'indicateur d'angle de signal sera proche de zéro lorsque le NaviTrack II se trouve directement à l'aplomb de la conduite.

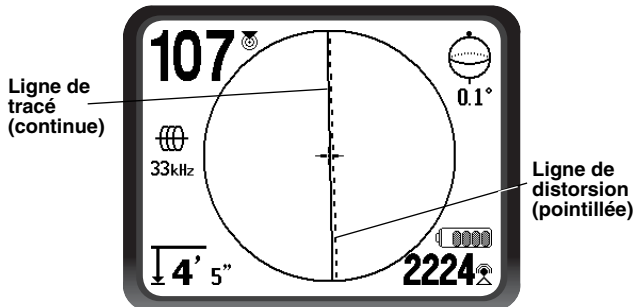


Figure 27 – Localisation à haute probabilité

3. Lors du traçage, l'orientation de la conduite ou du câble sera indiquée à l'écran par deux lignes, une continue, l'autre pointillée. La ligne continue (ligne de tracé) correspond au signal reçu par la boule d'antenne inférieure, tandis que la ligne pointillée (ligne de distorsion) correspond à celui reçu par la boule d'antenne supérieure (*Figure 27*).
4. La ligne de tracé a trois fonctions importantes. Elle représente la position et l'orientation du signal tracé, elle reflète les changements de direction de la conduite, notamment dans le cas de conduites coudées, et elle aide à dépister les distorsions de signal éventuelles. En effet, en cas d'interférence capable de déformer le profil du signal, la ligne pointillée risque d'être sérieusement décalée ou asymétrique.
5. Servez-vous de la proximité, de l'intensité du signal et des lignes de tracé et de distorsion pour vous guider dans le traçage des lignes. Ces trois morceaux d'information sont générés à partir de caractéristiques de signal discret afin d'aider l'utilisateur à discerner la qualité de la localisation. S'il n'est pas déformé, le signal émis par une ligne atteindra son maximum d'intensité directement à l'aplomb de cette ligne. En atteignant le signal de proximité maximum et en centrant les lignes de tracé et de distorsion sur l'écran, il y a de fortes chances que la localisation soit précise. Confirmez toute localisation en vérifiant que la profondeur mesurée reste stable et raisonnable.

La vérification de la régularité de la profondeur mesurée se fait en éloignant le NaviTrack II d'une distance précise (disons, exactement 12 pouces) par rapport au sol, puis en vérifiant que la profondeur mesurée augmente d'autant. De petites variations sont admissibles, mais si la profondeur mesurée ne varie pas ou varie radicalement,

c'est signe d'un champ déformé ou d'un signal de ligne très faible. Comme toujours, la seule façon d'être absolument certain d'une localisation de conduite est de l'exposer.

NOTA ! La précision des indications de position et de profondeur mesurée s'améliorent avec le rapprochement progressif de l'antenne inférieure du NaviTrack à la conduite. Le fait de vérifier périodiquement les indications de profondeur mesurée et de position lors du terrassement peut aider à éviter les dégâts éventuels et risque même d'identifier des conduites supplémentaires qui n'avaient pas été détectées avant l'excavation.

▲ MISE EN GARDE !

Il convient de faire attention aux interférences de signal qui risquent de falsifier les lectures. La ligne de tracé n'est représentative de la position de la conduite enterrée que lorsqu'il n'y a PAS DE DÉFORMATION. Ne PAS baser vos localisations uniquement sur la position de la ligne de tracé.

Effectuez un recoupement systématique des éléments de localisations en vérifiant que :

- La ligne de tracé et la ligne de distorsion sont essentiellement alignées.
- Le signal de proximité et le signal d'intensité sont au maximum lorsque la ligne de tracé traverse le centre de la carte.
- La profondeur mesurée augmente normalement lorsque vous éloignez l'appareil du sol verticalement, et que la ligne de tracé et la ligne de distorsion restent alignées.

Les indications de profondeur mesurée n'étant qu'indicatives, il convient de vérifier les profondeurs réelles par sondage ponctuel avant de terrasser.

Remarque visant l'utilisation de la fréquence de 93 kHz

NOTA ! La version européenne du NaviTrack II est dotée d'une fréquence supplémentaire de 93 kHz pour le traçage de ligne.

Le nombre de cycles de cette fréquence de base de 93 kHz est précisément 93 696 kHz par seconde.

Certains transmetteurs plus anciens utilisent un compte nominal différent pour la fréquence de 93 kHz, à savoir, 93 662,9 cycles par seconde.

Si vous trouvez que le NaviTrack II ne reçoit pas votre signal de transmetteur 93 kHz, réglez le localisateur à la fréquence 93-B kHz, qui correspond à l'ancienne valeur. Les fréquences 93 kHz et 93-B kHz font partie du répertoire des fréquences de la catégorie « Traçage de ligne » du menu secondaire des fréquences.

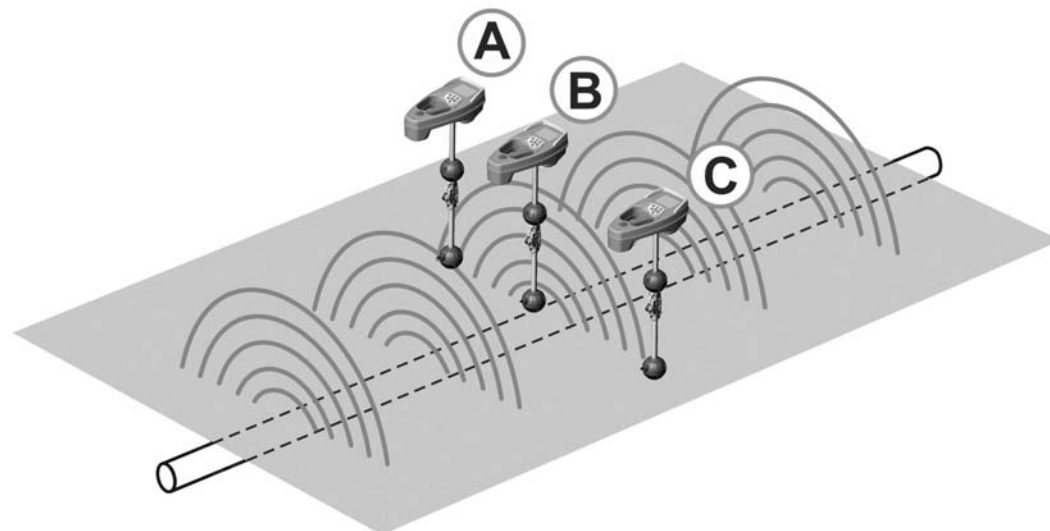
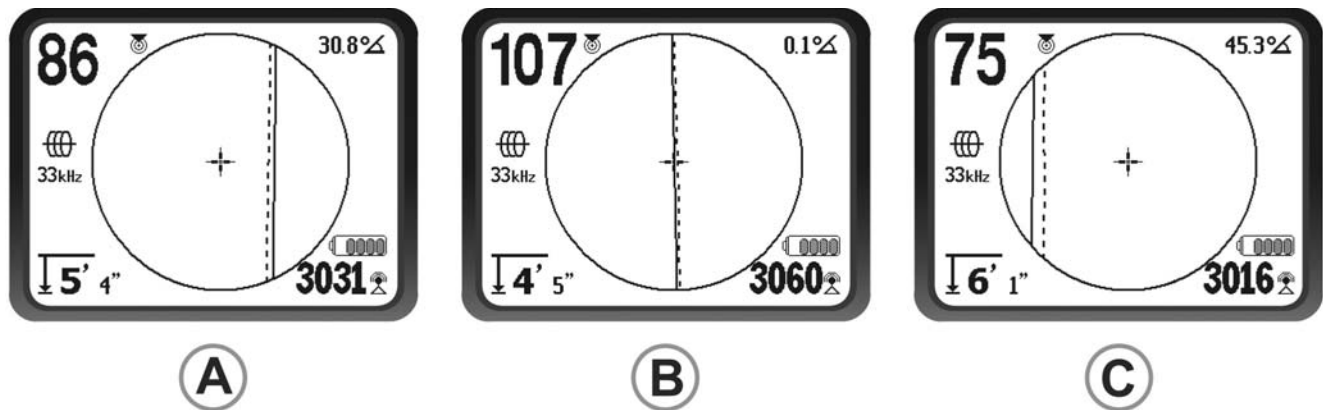



Figure 28 – Affichages d'écran à plusieurs endroits différents (traçage de ligne actif)

Traçage de ligne passif

En mode passif, le NaviTrack II capte les champs générés par des lignes à courant alternatif sous tension, sans besoin de transmetteur. Généralement parlant, les lignes électriques souterraines n'émettent un signal repérable que lorsqu'il y a un transfert de courant électrique. Des lampadaires éteints, par exemple, sont très difficiles à tracer passivement. Du au couplage, soit par induction ou par capacité, toutes lignes métalliques dans une zone donnée risquent d'être sous tension passive. Ainsi, il est possible de localiser des lignes passivement, mais il est parfois difficile de distinguer laquelle des lignes est effectivement tracée.

1. Sélectionnez une fréquence de traçage passif à courant alternatif à l'aide de l'icône de traçage de ligne passif .

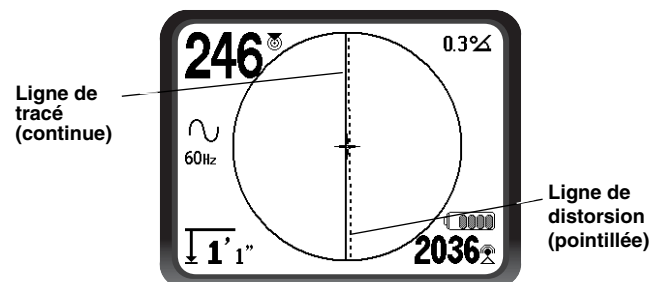


Figure 29 – Fréquence de traçage passif 60 Hz

2. Le NaviTrack II dispose de deux réglages de fréquence de traçage passif à courant alternatif, soit 50 Hz et 60 Hz. Les fréquences 50 Hz et 60 Hz sont réglées pour répondre au 9^{ème} harmonique des fréquences à courant alternatif courantes. Les installations US sont typiquement en 60 Hz, tandis que les installations européennes sont typiquement en 50 Hz.

Il ne faut pas oublier qu'en cours de traçage, les tés, coudes, autres conducteurs et objets métalliques à proximité peuvent contribuer à la distorsion du champ, et que cela impose un examen plus approfondi des données permettant d'établir le trajet de la cible. De telles distorsions sont généralement plus problématiques lors des traçages passifs.

Pour obtenir un maximum de précision, il est préférable, dans la mesure du possible, d'utiliser le traçage de ligne actif.

▲ MISE EN GARDE !

Lors d'un traçage de ligne passif, ou lorsque les signaux sont extrêmement faibles, la profondeur mesurée indiquée sera généralement SUPÉRIEURE à la profondeur réelle, et cette dernière risque d'être BEAUCOUP moins profonde qu'indiquée.

Conseils pratiques visant les traçages de ligne actifs et passifs

- Le NaviTrack II assure l'identification rapide des champs déformés. Si les lignes ne sont pas centrées sur la carte lorsque le signal de proximité ou l'intensité de signal est au maximum, c'est signe d'un champ non circulaire complexe créé par une distorsion. Pour améliorer le circuit de traçage :
 1. Essayez d'utiliser une fréquence plus basse.
 2. Eloignez le piquet de terre de la ligne en cours de traçage.
 3. Assurez-vous que la ligne n'est pas reliée à une autre conduite. Séparez les conduites uniquement si cela peut se faire en toute sécurité.
 4. Si possible, déplacez le transmetteur le long de la ligne.
- Si les lignes de traçage refusent de se centrer ou si elles se déplacent de manière erratique sur l'écran, il est possible que le NaviTrack II ne reçoive pas un signal clair. Dans ce cas, la profondeur mesurée et le signal de proximité peuvent aussi devenir instables.
 1. Examinez le transmetteur pour vous assurer qu'il fonctionne correctement et qu'il est bien relié à la terre.
 2. Testez le circuit en visant l'un ou l'autre des câbles du transmetteur avec l'antenne inférieure.
 3. Assurez-vous que le NaviTrack II et le transmetteur utilisent la même fréquence.
 4. Essayez plusieurs fréquences, en commençant par la plus basse, jusqu'à ce que la réception de ligne soit fiable.
 5. Déplacez la mise à la terre afin d'améliorer le circuit. Assurez-vous d'un contact suffisant (piquet de

terre suffisamment enfoncé), surtout dans les sols peu humides. En cas de sols secs, détrempez la zone entourant le piquet de terre afin d'améliorer le signal.

- L'utilisation de l'indicateur d'angle de signal est un autre moyen de dépister les distorsions. Avec la boule de l'antenne inférieure à hauteur constante le localisateur tenu de niveau, déplacez le NaviTrack II perpendiculairement de part et d'autre de la ligne tracée jusqu'à ce que l'indicateur d'angle de signal indique 45 degrés. Lorsqu'il y a peu ou pas de distorsion, la ligne tracée devrait être centrée et à distance sensiblement égale des deux origines d'angle.

En variation de cette technique, on peut aussi se déplacer d'une distance égale (disons 60 cm) de part et d'autre de la ligne tracée pour vérifier que la lecture d'intensité de signal est approximativement la même.

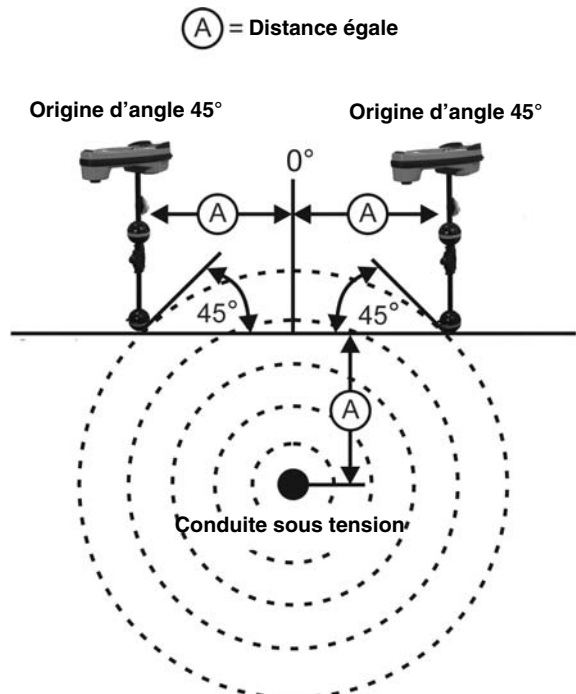


Figure 30 – Dépistage des distorsions

- En cours de traçage, le signal de proximité et l'intensité de signal devraient être au maximum, tandis que la profondeur mesurée devrait être au minimum lorsque les lignes sont centrées sur l'écran. Sinon, c'est probablement signe d'un changement de direction dans la conduite ou de la présence éventuelle de signaux accouplés venus d'ailleurs.
- Même si les fréquences plus élevées ont plus tendance à ressuer vers les conduites voisines, elles sont parfois nécessaires au franchissement des ruptures de câbles de traçage et des connexions isolées. Si la ligne est enterrée à l'extrémité opposée, l'utilisa-

tion de fréquences plus élevées risque d'être le seul moyen de la rendre visible (se reporter à la page 61).

- Lors de l'utilisation du transmetteur en mode inductif, n'oubliez pas de reculer le début de localisation d'environ 10 m afin d'éviter les risques de « couplage par conduction » ou couplage dans l'air. Ceci a lieu lorsque le NaviTrack II reçoit le signal du transmetteur directement par voie aérienne, et non via la ligne à tracer. Pour s'assurer de l'absence de couplage dans l'air, dirigez le NaviTrack II directement vers le transmetteur ; si l'intensité du signal augmente, il est possible que le transmetteur soit trop près du récepteur pour assurer un traçage précis.

NOTA ! Plus le signal à couplage inductif produit sur le conducteur est faible, plus la distance de couplage dans l'air sera importante.

En cours de traçage, l'affichage de carte fonctionnera mieux sous les conditions suivantes :

- La conduite est de niveau.
- Le NaviTrack II se trouve à une altitude plus élevée que celle de la conduite tracée.
- Le mât d'antenne du NaviTrack II est tenu sensiblement à la verticale.

En l'absence des conditions précédentes, il sera nécessaire d'assurer un signal de proximité et d'une intensité de signal maximum.

De manière générale, si le NaviTrack II est utilisé dans une zone au-dessus de la ligne visée dans un rayon de balayage égal à environ deux « profondeurs » de ligne, la carte sera à la fois utile et précise. Ceci est bon à savoir lors de l'utilisation de la carte en présence d'une cible ou d'une ligne très peu profonde. La largeur de la surface utile de la carte risque d'être diminuée en cas de lignes à fleur de sol.

Mesure des profondeurs (modes « Traçage »)

Le NaviTrack II calcule la profondeur mesurée en comparant l'intensité du signal reçu par l'antenne inférieure à celle du signal reçu par l'antenne supérieure.


Les profondeurs mesurées sont approximatives. En l'absence de distorsion, elle correspondra à la profondeur réelle lorsque le mât est tenu à la verticale et que l'antenne inférieure touche le sol directement à l'aplomb de la source du signal.

1. Pour mesurer la profondeur, posez le localisateur au sol, directement à l'aplomb de la sonde ou de la ligne en question.
2. La profondeur mesurée sera affichée dans le coin inférieur gauche de l'écran d'affichage du NaviTrack II.

3. L'affichage de profondeur mesurée peut être forcé au cours d'une localisation en appuyant sur la touche de sélection.
4. La profondeur mesurée ne sera précise qu'en l'absence de distorsion du signal.

NOTA ! Dans les modes de traçage de ligne actif ou passif, la touche de sélection forcera l'affichage de la profondeur mesurée. Si le son est allumé, ceci recentrera en même temps la tonalité.

Ecrêtage (modes « Traçage »)

Parfois, le signal sera trop intense pour permettre au récepteur de l'analyser entièrement, un phénomène appelé « écrêtage ». Le cas échéant, une mise en garde  apparaîtra à l'écran pour indiquer que le signal reçu est particulièrement intense, et que l'affichage de profondeur mesurée est impossible. Il est possible de remédier à un écrêtage persistant en augmentant la distance entre les antennes et la ligne tracée, OU en réduisant l'intensité du courant du transmetteur. **Notez qu'en cas d'écrêtage, l'affichage de profondeur mesurée sera désactivé.**

Menus et paramètres

En appuyant sur la touche « Menu », il est possible d'accéder à une série de choix qui permet à chaque utilisateur individuel de configurer le NaviTrack II (Figure 31). Le menu est composé d'un répertoire d'options contextuelles. Le point d'accès au répertoire du menu est réglé à la fréquence couramment utilisée.

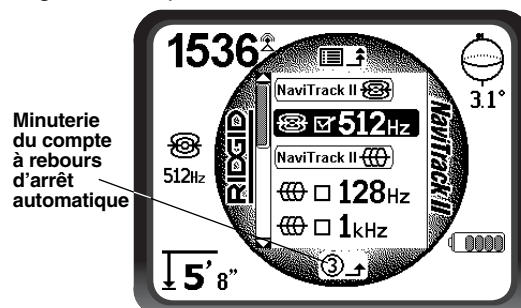





Figure 31 – Menu principal

Le menu principal comprend les articles suivants (de haut en bas) :

1.  **Fréquences de sonde sélectionnées** (activées ou non)
2.  **Fréquences de traçage de ligne actif sélectionnées** (activées ou non)
3.  **Fréquences de traçage de ligne passif sélectionnées** (activées ou non)

4. **Unités de valeur pour profondeurs mesurées**
5. **Lumière de fond**
6. **Contraste (écran ACL)**
7. **Eléments d'affichage** (menus secondaires affichés lors de la sélection des modes « Sonde » ou « Traçage de ligne »)
8. **Fréquences** (menus secondaires affichés pour les catégories de fréquence au choix)
9. **Menu signalétique** comprenant version du logiciel et numéro de série de l'appareil (menu secondaire de restauration des paramètres de base affiché sur l'écran « Signalement »).

Se reporter à la page 58 pour la liste complète des menus.

Compteur à rebours d'arrêt automatique

En parcourant l'arborescence, vous verrez une minuterie (en bas de l'écran) effectuer un compte à rebours. Lorsqu'elle arrive à zéro, elle remonte automatiquement jusqu'au prochain niveau de l'arborescence, pour enfin revenir à l'écran opérationnel. Elle se remet à « 9 » à chaque fois que vous appuyez sur une touche, pour monter chaque fois d'un niveau jusqu'à atteindre le menu opérationnel principal.

Fréquences de sonde sélectionnées

A côté de chaque fréquence de sonde sélectionnée à partir de la liste des fréquences disponibles paraîtra une case. Si cette case est cochée, la fréquence sera activée (cochée –activée) et accessible via la touche « Fréquence ». Les fréquences peuvent être cochées ou décochées en les soulignant, puis en appuyant sur la touche de sélection. Appuyez sur la touche « Menu » pour revenir à l'écran opérationnel.

Les inclusions possibles comprennent :

16 Hz	512 Hz*	640 Hz
850 Hz	8 kHz	16 kHz
33 kHz		

(*Paramètres usine)

(Consultez la section « Sélection des fréquences » à la page 56 pour ajouter au menu principal toute fréquence qui ne figure pas sur la liste, faute de sélection antérieure.)

Fréquences de traçage de ligne actif sélectionnées

De même que pour les fréquences de sonde, celles-ci

devront être cochées ou décochées et activées selon le cas.

Les fréquences éventuellement incluses comprennent :

128 Hz*	1 kHz*	8 kHz*
33 kHz*	65 kHz	200 kHz
262 kHz*		

(*Paramètres usine)

Fréquences de traçage de ligne passif sélectionnées

De même que pour les fréquences précédentes, celles-ci devront être cochées ou décochées et activées selon le cas.

Les fréquences éventuellement incluses comprennent :

50 Hz	60 Hz*
--------------	---------------

(*Paramètres usine)

Unités de profondeur mesurée

Le NaviTrack II peut afficher la profondeur mesurée soit en unités américaines ou métriques. Les unités américaines sont exprimées en pieds et pouces, et les unités métriques en mètres et centimètres. Pour changer d'unités, soulignez le choix « Units » au menu, puis appuyez sur la touche de sélection pour naviguer entre les deux unités (Figure 32). Utilisez la touche « Menu » pour arrêter votre choix et sortir.

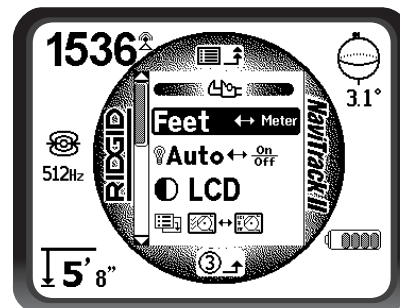


Figure 32 – Sélection des unités de mesure (américaines/métriques)

Commande de l'éclairage de fond

Un détecteur de lumière incorporé au coin supérieur gauche du clavier sert à commander l'éclairage de fond (se reporter à la page 42. L'allumage de l'éclairage de fond peut être forcé en occultant ce détecteur.

L'allumage automatique de l'éclairage de fond ACL est préréglé pour une lumière ambiante relativement faible. Ceci permet de conserver les piles.

Cet allumage automatique peut être neutralisé en soulignant l'icône d'ampoule dans la section « Tools » (outils) du menu, puis en appuyant sur la touche de sélection

pour naviguer entre « Auto » (automatique), « always ON » (toujours allumé), et « always OFF » (toujours éteint). Utilisez la touche « Menu » pour sauvegarder votre sélection et quitter.

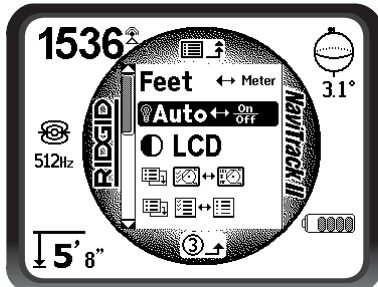


Figure 33 – Réglage de l'éclairage de fond

Contraste de l'écran ACL

Cette fonction, sélectionnée en appuyant sur la touche de sélection permet de régler le contraste (Figure 34). Utilisez les flèches ascendante et descendante pour rendre l'écran plus clair ou plus foncé (Figure 35). Les températures extrêmes risquent de rendre l'écran ACL plus foncé (chaud) ou plus clair (froid). Les écrans ACL dont le contraste est extrêmement foncé ou clair risquent d'être difficiles à lire.

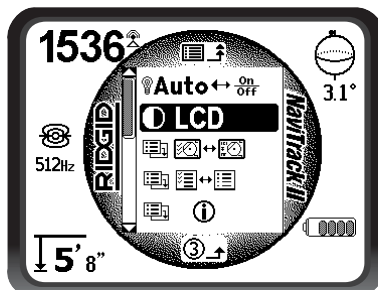


Figure 34 – Option de réglage du contraste

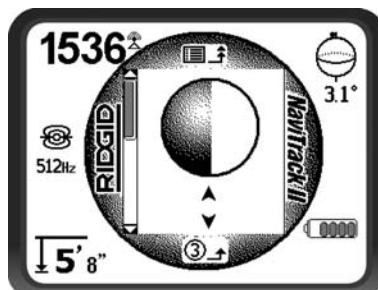


Figure 35 – Augmentation ou diminution du contraste

Appuyez sur la touche « Menu » pour sauvegarder vos paramètres et quitter. Ce menu vous permet également de quitter et de conserver les paramètres en appuyant sur la touche de sélection.

Menu des éléments d'affichage

La sélection de l'icône représentant deux petits écrans d'affichage ouvrira le menu de sélection du mode « Traçage » ou du mode « Sonde ». Cette fonction sert à afficher ou occulter les éléments d'affichage correspondants. Le NaviTrack II est livré avec certains éléments optionnels occultés afin de simplifier la mise en route. Pour afficher ou occulter un élément, appuyez sur la flèche ascendante ou descendante pour souligner votre choix. Utilisez ensuite la touche de sélection pour cocher ou décocher la case correspondante. Les éléments d'affichage cochés seront activés dans le mode opératoire sélectionné. Les préférences personnelles, ainsi que le type de localisation effectué, dicteront les éléments optionnels à afficher.

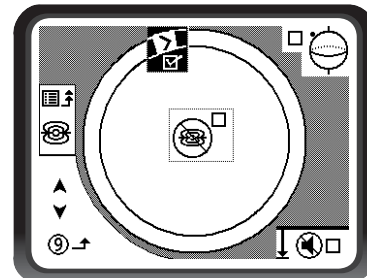


Figure 36 – Éléments d'affichage (mode « Sonde »)

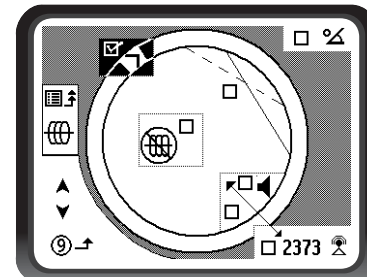
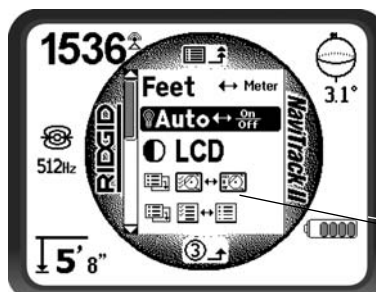


Figure 37 – Éléments d'affichage (mode « Traçage »)

Éléments optionnels au sein du menu d'éléments d'affichage

Les éléments optionnels du NaviTrack II peuvent être activés en utilisant la touche « Menu » pour afficher l'arborescence. Sélectionnez le menu « Display Elements » (éléments d'affichage), puis le mode opératoire à changer (Trace ou Sonde).




Option « Éléments d'affichage »

Figure 38 – Menu principal

Les paramètres optionnels du mode « Sonde » comprennent :

Hippodrome et filigrane

« L'hippodrome » est la piste circulaire autour du centre de la zone active de l'écran. Le « filigrane » est un marqueur qui apparaît sur le périmètre de l'affichage et qui court autour de l'hippodrome. Le filigrane est une représentation schématisée de l'intensité maximale de signal obtenue en mode « Sonde », ou du signal de proximité le plus élevé obtenu dans les modes « Traçage de ligne ». Il est « poursuivi » par un pointeur de niveau plein  indiquant l'intensité de signal actuelle (voir exemple donné à la Figure 39). Si le pointeur d'intensité de signal dépasse le filigrane, ce dernier avance d'autant pour schématiser le nouveau maximum atteint. Tout comme la trace d'eau dans une baignoire, le filigrane indique le niveau supérieur atteint. Ceci permet de suivre l'évolution du signal maximum schématisiquement. Le filigrane et l'hippodrome font partie d'une seule et même option dont l'activation facultative se fait à partir du menu de sélection des éléments d'affichage (Display Elements).

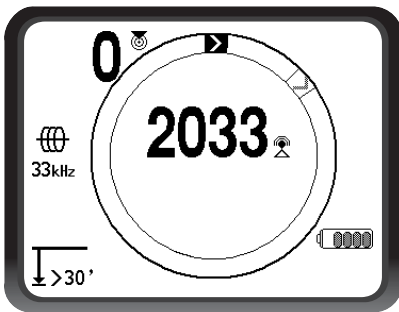


Figure 39 – Hippodrome avec filigrane et pointeur

Icône « Pas de signal » en mode « Sonde »

Lorsque le NaviTrack II ne reçoit pas de signal significatif sur une fréquence donnée, il affichera un icône de mode barré pour indiquer qu'aucun signal a été détecté (Figure 40). Ceci aide à éviter la confusion que peuvent engendrer les tentatives d'interprétation de parasites aléatoires en l'absence d'un signal.

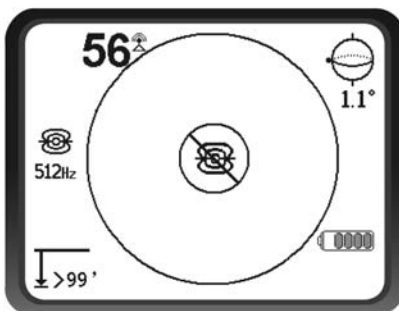


Figure 40 – Affichage « Pas de signal » en mode « Sonde »

Centrage de l'intensité du signal

Cette option, sélectionnée à partir du menu de sélection permet d'afficher le chiffre représentant l'intensité du signal au centre de l'écran lorsque aucun signal de proximité ne peut être obtenu (Figure 41), ce qui risque d'arriver en cas de signal faible. Lorsqu'un signal de proximité est à nouveau disponible, le chiffre d'intensité de signal revient à sa place d'origine, au coin inférieur droit de l'écran. (En modes « Traçage de ligne » uniquement).

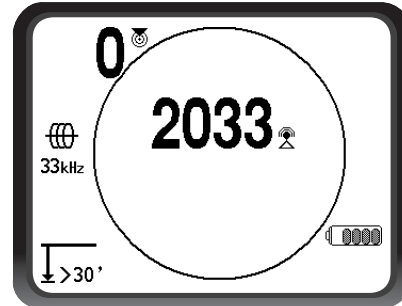


Figure 41 – Intensité du signal centrée

Mise en sourdine

Cette option assure la mise en sourdine automatique du son lorsque la profondeur mesurée dépasse les 30,17 mètres. Si celle-ci n'est pas cochée, le son ne sera pas mis automatiquement en sourdine. (En mode « Sonde » uniquement).

Commutateur de son

Lorsque cette option est cochée, le son sera relié à l'intensité du signal dès qu'un signal de proximité n'est pas disponible. (Modes « Traçage » uniquement).

Sélection des fréquences

Des fréquences supplémentaires peuvent être ajoutées à la liste des fréquences disponibles du menu principal en ouvrant le menu secondaire de sélection des fréquences, puis en sélectionnant le mode opératoire concerné (Figure 43). Les fréquences cochées sont déjà « disponibles », voire affichées à l'écran principal. A partir de là, elles peuvent être données le statut de « cochée-activée » et rendues disponibles via la touche « Fréquences ».

Pour sélectionner des fréquences supplémentaires, ouvrez le menu secondaire de la fonction « Sélection des fréquences », puis soulignez la catégorie de fréquence voulue (Figure 42).

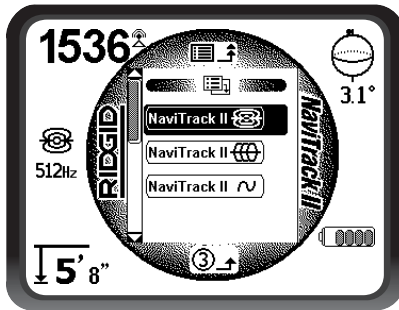


Figure 42 – Sélection d'une catégorie de fréquences

Ensuite, utilisez les flèches ascendantes et descendantes pour parcourir les fréquences disponibles. Soulignez la fréquence voulue afin de l'ajouter à la liste des fréquences activées (Figure 43).

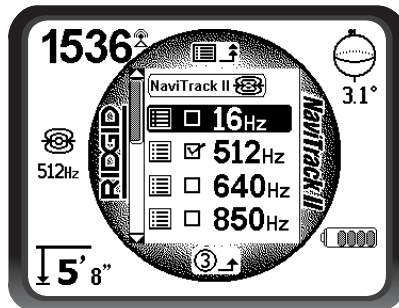


Figure 43 – Fréquence à activer soulignée

Cocher une fréquence à l'aide de la touche de sélection ajoutera celle-ci aux fréquences sélectionnées du menu principal. Une fois qu'elle se trouve sur le menu principal, cette fréquence peut être donnée le statut de « cochée/activée » et choisie à l'aide de la touche « Fréquences ».

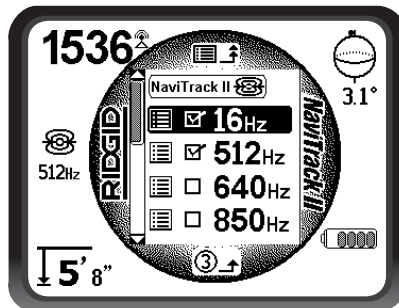



Figure 44 – Sélection d'une fréquence à activer

Pour utiliser une fréquence « disponible » qui n'a pas été encore « cochée/activée », appuyez sur la touche « Menu »  et descendez jusqu'à la fréquence voulue. Si celle-ci n'est pas déjà cochée, appuyez sur la touche de sélection pour ce faire et donner à cette fréquence le statut de « cochée/activée ». Appuyez sur la touche « Menu » pour revenir à l'écran d'exploitation où la fréquence qui vient d'être activée sera désormais affichée. Le NaviTrack II indiquera alors la fréquence choisie et son icône au côté gauche de l'écran en tant que fréquence actuellement utilisée.

Le NaviTrack II permet de changer de fréquence « cochée/activée » en cours d'utilisation en appuyant sur la touche « Fréquences ». En appuyant sur la touche « Fréquences », le NaviTrack II parcourt les fréquences actives catégorie par catégorie, en partant de bas en haut, pour revenir au début et répéter le processus. Toute fréquence décochée sur le menu principal sera désactivée et ne réapparaîtra plus lorsque l'on appuie sur la touche « Fréquence ».

NOTA ! Si vous avez du mal à trouver une fréquence particulière, assurez-vous d'abord qu'elle fait partie des fréquences affichées au menu principal. Si vous la trouvez là mais non cochée, soulignez-la et appuyez sur la touche de sélection pour lui donner le statut de « cochée/activée ». Si elle n'y paraît pas, ouvrez le menu de sélection des fréquences, puis la catégorie correspondante, et cochez la case qui correspond à cette fréquence afin de la rendre disponible au niveau du menu principal. Vérifiez qu'elle a été « cochée » aux deux niveaux du menu pour vous assurer qu'elle fait partie des fréquences actuellement disponibles.

Ecran signalétique et rétablissement des paramètres de base

Ecran signalétique

L'écran signalétique se trouve en bas du menu principal. Soulignez l'icône « Signalement » et appuyez sur la touche de sélection pour afficher les caractéristiques du localisateur, notamment la version du logiciel, ainsi que le numéro de série et la date de calibrage du récepteur.



Figure 45 – Ecran signalétique du NaviTrack II

Rétablissement des paramètres de base

Appuyez sur la touche de sélection une deuxième fois pour afficher les paramètres de base.



Figure 46 – Sélection des paramètres de base

Accédez à cette fonction en sélectionnant la case cochée (✓). Si vous choisissez l'option « X », les paramètres existants seront conservés.

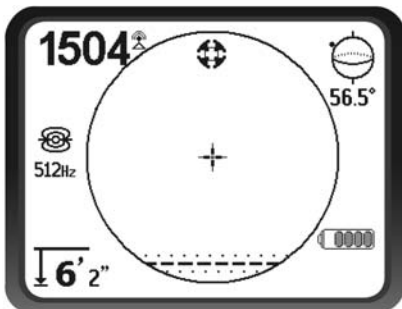


Figure 47 – Paramètres de base restaurés (mode « Sonde »)

Appuyer sur la touche « Menu » sans modifier les cases fermera cette fonction en laissant les choses telles qu'elles.

Arborescence

Le schéma suivant indique les options et fonctions incorporées aux menus du NaviTrack II. Appuyer sur la touche « Menu » à partir de l'écran actif amène l'affichage en haut de l'arborescence. Les flèches ascendantes et descendantes permettent d'en parcourir les options. Appuyer sur la touche de sélection lorsqu'une option a été soulignée affichera le menu secondaire correspondant. Appuyer sur la touche « Menu » lorsqu'un menu secondaire est affiché fera monter d'un cran. Les cases à cocher sont activées et désactivées en appuyant sur la touche de sélection.

Fréquences activées	
<input type="checkbox"/>	Fréquences « Sonde » sélectionnées
<input type="checkbox"/>	Fréquences « Traçage de ligne » sélectionnées
<input type="checkbox"/>	Fréquences « Traçage passif » sélectionnées
Unités de mesure	
<input type="checkbox"/>	Américaines/Métriques
Eclairage de fond	
<input type="checkbox"/>	Allumé/Eteint/Auto
Contraste de l'écran ACL	
<input type="checkbox"/>	Augmenter/Diminuer
Sélection des éléments d'affichage (cocher activé/désactivé)	
<input type="checkbox"/>	Mode « Traçage »
<input type="checkbox"/>	Mode « Sonde »
<input type="checkbox"/>	Filigrane
<input type="checkbox"/>	Indicateur d'absence de signal
<input type="checkbox"/>	Signaux sonores
<input type="checkbox"/>	Centrage de l'intensité du signal*
<input type="checkbox"/>	Intensité du signal
<input type="checkbox"/>	Indicateur d'angle
<input type="checkbox"/>	Sourdine > 30,17 m
<input type="checkbox"/>	Traçage de lignes*
	* = Affichage traçage de ligne uniquement
Sélection des fréquences (cocher « activer » ou « désactiver »)	
<input type="checkbox"/>	Sonde
	16 Hz, 512 Hz, 640 Hz, 850 Hz, 8kHz 16 kHz, 33 kHz
<input type="checkbox"/>	Traçage de ligne
	128 Hz, 1 kHz, 8 kHz, 33 kHz, 200 kHz, 262 kHz
<input type="checkbox"/>	Traçage passif
	50 Hz, 60 Hz
<input type="checkbox"/>	Menu signalétique
	Restaurer les paramètres de base (cocher Oui ou Non)

Un meilleur moyen de localisation

Lorsque le récepteur se déplace le long d'une zone ciblée, le NaviTrack II offre à l'utilisateur une image de la situation et facilite la localisation du champ électromagnétique de la conduite ciblée. Grâce à un complément d'informations, l'utilisateur est capable d'analyser l'état des lieux souterrains afin de résoudre des situations complexes, éviter des marquages erronés, et trouver la conduite ou le câble en question plus rapidement.

Ce que le NaviTrack II sait faire

Le NaviTrack II permet de suivre les champs électromagnétiques émis par des conduites (câbles ou tuyauteries métalliques conducteurs) ou des sondes (transmetteurs actifs) enterrées ou dissimulées.

Lorsque ces champs ne sont pas déformés, les informations venant des champs reçus donnent une image précise de l'objet enterré. Lorsque la situation est rendue plus complexe par la présence de lignes multiples ou d'autres facteurs, le NaviTrack II assure l'affichage de paramètres supplémentaires permettant de mieux visualiser la situation et déterminer, selon ces indices, s'il s'agit ou non d'une localisation fiable et précise. Plutôt que

de peindre le mauvais endroit, l'utilisateur sait d'office que la localisation en question mérite d'être réévaluée.

Le NaviTrack II sait fournir les informations essentielles dont a besoin l'utilisateur pour mieux analyser la situation de la ligne qu'il essaye de localiser.

Ce qu'il ne sait pas faire

Le NaviTrack II se sert des champs électromagnétiques qui entourent les objets conducteurs pour les localiser. Il ne détecte pas les objets eux-mêmes. Même s'il fournit plus d'informations sur la forme et l'orientation des champs magnétiques que les autres localisateurs, il ne sait ni interpréter ces informations, ni offrir une « radiographie » des objets enterrés.

L'analyse précise des champs complexes, et notamment ceux déformés par des parasites, nécessite un certain degré d'intelligence humaine. Malgré son affichage de tous les paramètres correspondants, le NaviTrack II ne sait pas changer les résultats d'une localisation difficile. Cependant, l'utilisateur peut, à l'aide des informations fournies par le NaviTrack II, améliorer les résultats d'une localisation en « améliorant le circuit » (changement de fréquence ou déplacement du piquet de terre ou du transmetteur le long de la ligne ciblée).

Les avantages d'une antenne omnidirectionnelle

Contrairement aux bobines utilisées par de nombreux appareils de localisation, une antenne omnidirectionnelle utilise la détection tridimensionnelle pour créer une image de l'intensité, orientation et position du champ. Les antennes omnidirectionnelles ont des avantages certains :

Affichage cartographique

L'affichage cartographique engendré par l'antenne omnidirectionnelle offre une vue schématique des caractéristiques du signal, ainsi qu'une vue aérienne du signal souterrain. Il sert de guide lors du traçage des lignes souterraines et permet de mieux préciser la localisation des sondes. Il peut également offrir des informations supplémentaires en cas de localisations complexes.

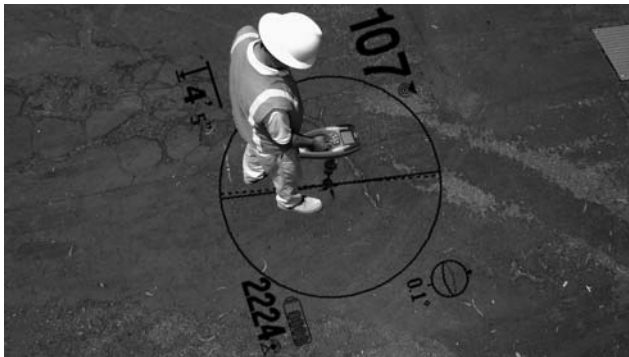


Figure 48 – Affichage cartographique

Les lignes représentant les signaux reçus par l'antenne supérieure et l'antenne inférieure offrent une image schématique des positions relatives de l'utilisateur et de la conduite ou sonde ciblée. Parallèlement, l'affichage donne toutes les informations nécessaires à l'analyse de situation du champ en cours de localisation : intensité du signal, distance continue, angle du signal et proximité de la cible. Les informations à la fois disponibles sur le NaviTrack II nécessiteraient des passes multiples avec certains localisateurs conventionnels. Il est plus facile de dépister la présence de distorsions ou de champs multiples lorsque tous les paramètres font partie d'un même affichage, comme celui du NaviTrack II.

Orientation vis-à-vis du signal

En raison des signaux multiples traités par chaque antenne omnidirectionnelle, le signal émis par la cible devient systématiquement plus fort lorsque le récepteur se rapproche. L'orientation de l'appareil n'a aucune influence sur l'intensité du signal. L'utilisateur peut approcher d'une direction quelconque, sans avoir à connaître l'orientation du tuyau ou du câble.

Localisation des sondes

Lorsqu'il est utilisé avec une sonde, le NaviTrack II élimine les nuls et les crêtes fantômes. Les localisateurs traditionnels voient souvent les signaux augmenter, puis tomber à zéro avant de remonter en crête. Ceci risque de confondre l'utilisateur dans la mesure où il risque de méprendre une crête secondaire pour la cible.

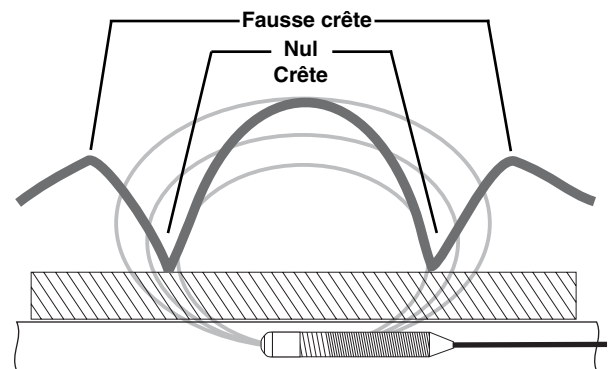


Figure 49 – Un signal de sonde « vu » par un localisateur traditionnel

La crête se trouve au centre, entre les deux nuls et fausses crêtes respectifs

Le NaviTrack II utilise une seule crête pour amener l'utilisateur vers la cible. Le suivi des sondes à l'aide de l'intensité du signal devient alors un processus très direct.

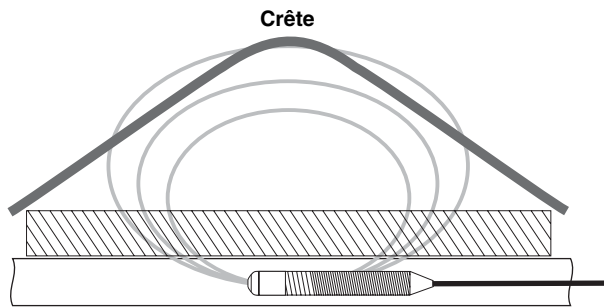


Figure 50 – Signal de sonde reçu par le NaviTrack II

La seule direction est vers le haut, vers le signal maximum.

Signal de proximité

Le signal de proximité est un nouvel outil qui permet à l'utilisateur de mieux cibler la conduite. Il indique la proximité de l'appareil par rapport à la cible. L'utilisation du signal de proximité assure une crête mieux définie que celle obtenue par moyen de l'intensité du signal.

Le signal de proximité est obtenu en comparant les informations reçues par les deux antennes omnidirectionnelles situées dans les boules supérieure et inférieure de l'antenne du NaviTrack II. (Modes de traçage actif et passif uniquement.)

Localisation « informationnelle »

Les systèmes de traitement et d'affichage avancés du NaviTrack II lui permettent de fournir des informations suffisamment claires pour déterminer si un tracé est digne de confiance ou s'il est douteux.

L'utilisateur compétent saura analyser l'image souterraine beaucoup plus facilement en combinant les informations fournies par :

- Le signal de proximité avec intensité du signal
- Les lignes de tracé et de distorsion (antennes inférieure et supérieure)
- L'affichage en continu de la profondeur mesurée
- L'intensité du signal

Ces indications montrent ce que « voient » les antennes lorsqu'elles avancent à travers le champ. Le cas échéant, elles signalent la présence de parasites, voire d'objets à proximité, responsables de la déformation du champ. En présence de distorsions importantes, les indicateurs ne s'accorderont pas. Savoir que des distorsions existent permet à l'utilisateur de prendre des mesures en vue de leur réduction, ou tout au moins d'en tenir compte (comme, par exemple, lorsque les indications de position et de profondeur mesurée sont rendues suspectes par la présence de distorsions de champs).

L'autre avantage d'un complément d'informations est la possibilité de vérifier la fiabilité d'une localisation. Voir tous les indicateurs s'accorder et sembler raisonnables peut considérablement augmenter le niveau de confiance dans la localisation.

Tirer le maximum du NaviTrack II

Les paramètres de base du NaviTrack II assurent un apprentissage rapide. Cela dit, l'instrument est également équipé de paramètres avancés qui, lorsque l'on comprend ce qu'ils indiquent, peuvent considérablement faciliter les localisations complexes.

Encore plus sur les localisations informationnelles

Normalement, les champs entourant les longs conducteurs tels que tuyaux ou câbles ont une forme circulaire (cylindrique dans les trois dimensions). Lorsque l'on est à l'aplomb d'un champ circulaire, on peut s'attendre à trouver les indicateurs suivants :

- Intensité de signal maximum.
- Signal de proximité maximum (mode « Traçage de ligne »).
- Lignes de tracé et de distorsion centrées.
- Indications de profondeur mesurée raisonnables et régulières.
- Profondeur mesurée minimum.
- Ton et volume sonore croissants jusqu'à ce qu'ils atteignent leur maximum à l'aplomb de la conduite.

L'utilisateur chevronné apprend à « voir » la situation souterraine en étudiant la relation entre les divers éléments d'information fournis par le NaviTrack II. Quoique la simple localisation d'un champ circulaire soit relativement facile, le traçage d'une ligne qui se trouve à proximité d'autres gros conducteurs tels que lignes haute tension, lignes téléphoniques, tuyaux de gaz ou même chutes de métal enterrées risque de soulever des questions auxquelles on ne peut répondre avec certitude qu'en tenant compte de l'ensemble des informations fournies.

En comparant l'intensité du signal, l'angle du signal, le signal de proximité, les lignes de tracé et de distorsion, ainsi que la profondeur mesurée, l'utilisateur peut déterminer le sens de distorsion du champ. En comparant les informations obtenues avec une étude de l'état des lieux (présence et position de transformateurs, compteurs, boîtiers de dérivation, regards ou autres indicateurs), il est possible de mieux comprendre ce qui est responsable des distorsions éventuelles. Il ne faut cependant pas oublier, et notamment dans les situations com-

plexes, que la seule garantie d'une localisation précise dépend de la vérification par sondage de la ligne ou conduite en question.

Les champs multiples ou complexes produiront des anomalies de lecture sur le NaviTrack II qui indiqueront ce qui se passe. En voici quelques exemples :

- Désaccord entre les lignes de tracé et de distorsion
- Profondeurs mesurées irrégulières ou improbables
- Fluctuating random indications (also caused by very weak signal).
- Signal de proximité irrégulier (mode « Traçage de ligne »)
- Intensité de signal maximum déportée d'un côté ou l'autre du conducteur.

De manière générale, les distorsions seront plus importantes aux fréquences élevées qu'aux basses fréquences du fait que les signaux des fréquences élevées ont tendance à « sauter » jusqu'aux conduites voisines. Les objets en fonte ou acier de taille importante (portes de chambre forte, couvercles de regard, plaques de tranchée, supports structurels, fers à béton, véhicules, etc.) peuvent eux aussi déformer même les fréquences les plus basses. En général, la localisation passive est plus sensible aux distorsions que ne l'est la localisation active, notamment en ce qui concerne les mesures de profondeur. Les transformateurs et les lignes électriques aériennes ou enterrées sont souvent des sources de distorsion importante. Il est parfois impossible d'obtenir une localisation précise à proximité d'un transformateur important.

Observations concernant la précision de l'appareil

Les données de profondeur mesurée, de signal de proximité et d'intensité du signal dépendent de la réception par le NaviTrack II d'un signal d'une certaine intensité. N'oublions pas que le NaviTrack II est utilisé au niveau du sol pour capter des champs électromagnétiques émis par des conduites souterraines (conducteurs d'électricité tels que câbles et tuyaux métalliques) ou des sondes (transmetteurs actifs). Lorsque le champ en question est simple et sans distorsion, ces données sont représentatives de l'objet enterré.

Lorsqu'il existe une distorsion de champs en raison de la présence de plusieurs champs croisés, le NaviTrack II sera incapable de fournir une localisation précise. La localisation n'est pas une science exacte. Elle nécessite un certain degré de bon sens et d'interprétation des données fournies allant au-delà de la simple lecture de l'instrument. Le NaviTrack II fournit un plus grand nombre de données, mais il appartient à l'utilisateur de savoir les exploiter

de manière appropriée. Aucun fabricant de localisateur ne prétendra que l'utilisateur pourra se fier uniquement aux informations affichées par leur appareil. Afin d'atteindre une conclusion avisée, l'utilisateur devra plutôt considérer ces données comme faisant partie d'une solution globale comprenant également la reconnaissance des lieux, la connaissance des méthodes utilisées par les services publics, et une bonne familiarisation avec l'instrument.

Il convient de douter de la précision des lectures de localisation sous certaines conditions :

- **En présence d'autres conduites.** Le « ressuage » provoque des distorsions de champs et illuminera des conduites autres que celle ciblée. Si possible, utilisez des fréquences plus basses et éliminez toutes liaisons entre les deux conduites.



Figure 51 – Ressuage

- **En présence de tés, coudes ou dérivations dans la conduite.** Si le signal que vous suivez devient soudainement ambigu, essayez de décrire un cercle d'un rayon de 6 mètres environ autour du dernier point connu pour voir si le signal est à nouveau reçu. Ceci risque de révéler un branchement, un raccord ou autre dérivation de la conduite. Soyez vigilant face aux fractionnements ou changements de direction soudains dans la conduite tracée.
- **Lorsque l'intensité du signal est faible.** Une localisation précise demande une forte intensité de signal. Il est possible de remédier à une insuffisance de signal en déplaçant le piquet de terre ou en modifiant la fréquence ou la connexion du transmetteur. Les gaines isolantes usées ou endommagées, ainsi que les câbles concentriques nus et les tuyaux d'acier exposés, peuvent compromettre l'intensité du signal en raison de fuites vers la terre.
- **La mise à la terre en aval** peut influencer l'intensité d'un signal de manière significative. Lorsqu'une mise à la terre en aval ne peut pas être réalisée, le recours à une fréquence supérieure produira un signal

plus intense. L'amélioration des conditions de mise à la terre du circuit de localisation est un des principaux remèdes pour un signal de mauvaise qualité.

- **Lorsque la nature du terrain varie.** Les extrêmes d'humidité, qu'il s'agisse de sécheresse ou de saturation, peuvent influencer les mesures affichées. Par exemple, un terrain saturé d'eau salée bloquera le signal et le rendra très difficile à localiser, surtout lors de l'utilisation de fréquences élevées. Par contre, le fait d'ajouter de l'eau autour d'un piquet de terre dans un terrain particulièrement sec peut nettement améliorer la qualité du signal.
- **En présence d'objets métalliques massifs.** Le simple fait, par exemple, de passer à côté d'une voiture en stationnement pendant un traçage peut ponctuellement augmenter ou diminuer l'intensité du signal. Ce phénomène est plus souvent rencontré lors de l'utilisation de fréquences élevées qui s'accouplent plus facilement à d'autres objets. Les couvercles de regard et les plaques de tranchée peuvent sérieusement déformer les signaux.

Le NaviTrack II ne peut pas changer les conditions souterraines d'une localisation difficile, mais le changement de fréquences, le déplacement des terres ou du transmetteur, et l'isolation de la conduite ciblée d'une mise à la terre commune peuvent changer les résultats en assurant une meilleure mise à la terre, en évitant les dérivations de signal et en réduisant les distorsions. D'autres types de récepteurs savent localiser les conduites, mais ils sont moins capables de déterminer la qualité de telles localisations.

Le NaviTrack II fournit plus d'informations. Lorsque tous les indicateurs s'alignent et s'accordent, les repérages peuvent être effectués avec plus de confiance. Les distorsions de champ apparaissent instantanément. Cela permet à l'utilisateur de trouver un moyen d'isoler la conduite ciblée, de déplacer la prise de terre ou la connexion, de déplacer le transmetteur, ou de changer de fréquence afin d'assurer une meilleure réception avec moins de distorsion. Pour encore plus de certitude, il convient d'examiner la situation à l'aide de sondages ponctuels.

En fin de comptes, s'il y a un élément d'importance primordiale dans la localisation, c'est toujours l'utilisateur. Le NaviTrack II lui offre simplement une quantité d'informations sans précédent lui permettant prendre la bonne décision le plus rapidement et précisément possible.

Entretien du NaviTrack II

Transport et stockage

Avant de transporter l'appareil, assurez-vous qu'il est éteint afin de conserver les piles.

Lors du transport, assurez-vous que l'appareil est bien arrimé et qu'il ne risque pas de se promener ou d'être bousculé par d'autre matériel.

Le NaviTrack II doit être stocké dans un endroit frais et sec.

NOTA ! Retirez les piles du NaviTrack II avant de le stocker pendant des périodes prolongées.

Retirez systématiquement les piles du NaviTrack II avant de l'expédier.

Installation et utilisation des accessoires

Le NaviTrack II est livré avec des marqueurs de sonde et de pôle pouvant servir à marquer les positions de pôle ou de sonde en surface. Deux (2) marqueurs rouges sont prévus pour le marquage des pôles et un (1) marqueur jaune pour marquer la sonde. Les marqueurs peuvent également servir de repère temporaire lors du repérage initial d'une zone ou du traçage d'une conduite.

Pour toute assistance supplémentaire, veuillez consulter les services techniques de RIDGE Tool en composant le 800-519-3456. Le cas échéant, vous pouvez commander des remplacements auprès de votre concessionnaire RIDGID.

Entretien et nettoyage

1. Nettoyez le NaviTrack II à l'aide d'un chiffon propre et humide et un peu de détergent doux. Ne pas l'immerger dans l'eau.
2. N'utilisez pas de grattoirs ou d'abrasifs lors du nettoyage, car ceux-ci risqueraient d'égratigner l'écran d'affichage de manière permanente. NE JAMAIS UTILISER DE SOLVANTS pour nettoyer une partie quelconque du système. Les produits chimiques agressifs tels que l'acétone risquent d'entraîner la fissuration du boîtier.

Dépistage des composants défectueux

Reportez-vous au guide de la *page 66* pour les conseils de dépannage. Si nécessaire, consultez les services techniques de RIDGE Tool en composant le 800-519-3456. Nous établirons un programme d'intervention visant à résoudre l'anomalie.

Service après-vente et réparations

▲ MISE EN GARDE !



Cet instrument doit être confié à un réparateur RIDGID agréé ou renvoyé à l'usine. Retirez les piles complètement avant toute expédition. Toutes réparations effectuées par les services Ridge sont garanties contre les vices de matériaux et de main d'œuvre.

AVERTISSEMENT Retirer les piles avant toute expédition.

Veillez adresser, par téléphone ou par écrit, toutes questions éventuelles concernant le service après-vente ou la réparation de l'appareil à :

Ridge Tool Company
Technical Service Department
400 Clark Street
Elyria, Ohio 44035-6001
Tél. : (800) 519-3456
Email : TechServices@ridgid.com

Consultez la Ridge Tool Company en composant le (800) 519-3456 ou <http://www.ridgid.com> pour les coordonnées du réparateur agréé le plus proche.

Lexique – Définitions

Traçage de ligne actif Mode de localisation utilisant un transmetteur de ligne pour doter un élément conducteur d'une fréquence déterminée qui est ensuite détectée par le NaviTrack II afin de tracer ledit conducteur.

Zone active de l'écran La zone à l'intérieur du cercle au milieu de l'écran d'affichage où les lignes de tracé et de distorsion (ou pôle et équateur de sonde) sont schématisées.

Ressuage Débordement par moyens résistifs, capacitifs ou inductifs du signal émis par la conduite ciblée sur un conducteur voisin.

Fréquences cochées-activées Une fréquence est dite « cochée-activée » lorsqu'elle a été cochée au niveau du menu principal, la rendant ainsi accessible en cours d'utilisation du NaviTrack II par moyen de la touche « Fréquences ». La fréquence utilisée par l'appareil fait toujours partie du jeu des fréquences cochées-activées.

Écrêtage La réception d'un signal trop fort pour être traité dans son intégrité par le NaviTrack II. Le cas échéant, un signal de mise en garde se met à clignoter. Dans ce cas, les crêtes du signal atteignent une telle hauteur qu'ils sont écrêtés.

Point de mire Symbole au centre de la zone active de l'écran représentant la position relative du NaviTrack II par rapport à celle du champ détecté.

Intensité du courant L'intensité calculée du courant basé sur l'intensité du signal détecté par les antennes omnidirectionnelles du NaviTrack II, et approximativement exprimée en milliampères (mA). La précision d'une localisation nécessite une mesure de profondeur précise.

Fréquences disponibles Les fréquences cochées au niveau du menu principal des fréquences se disent « disponibles » et apparaissent au menu principal lorsque l'on appuie sur la touche « Menu ». Celles-ci peuvent être cochées pour les rendre « cochées-activées ».

Paramètres de base Les paramètres de base sont ceux qu'utilise le NaviTrack II en l'absence de paramètres alternatifs choisis par l'utilisateur. Ceux-ci peuvent être rétablis à partir du menu « Informations ».

Distorsions L'influence des champs voisins, autres éléments conducteurs, inductions magnétiques ou autres parasites sur un champ électromagnétique. La présence de distorsions est établie en comparant les informations reçues des lignes de tracé et de distorsion, du signal de proximité, de l'indicateur d'intensité de signal, de l'affichage de profondeur mesurée et de l'indicateur d'angle du signal du NaviTrack II.

Fréquence Nombre de fois par seconde qu'un champ électromagnétique est formé et détruit (voir le nombre de changements de direction de polarité d'un courant alternatif). Exprimé en hertz (Hz) (cycles/seconde) ou en kilohertz (kHz) (milliers de cycles/seconde).

Fréquence utilisée La fréquence actuellement utilisée par le NaviTrack II pour la localisation. La fréquence utilisée par défaut est de 512 Hz en mode « Sonde » et de 33 kHz en mode « Traçage de ligne actif ». La fréquence utilisée est sélectionnée à l'aide de la touche « Fréquences » à partir du jeu des fréquences « activées-cochées ».

Localisation informationnelle Innovation dans l'art et la technique de la localisation des conduites et sondes souterraines rassemblant plusieurs données sur un affichage intégré, et où des informations en temps réel sont fournies par un réseau d'antennes omnidirectionnelles.

Pointeur de niveau Sur le NaviTrack II, un pointeur plein qui suit une piste circulaire pour indiquer l'intensité actuelle du signal détecté. Voir « Filigrane ».

Menu principal des fréquences Regroupement de l'ensemble des fréquences utilisables du NaviTrack II. On y accède via le menu secondaire de sélection des fréquences.

Profondeur/Distance mesurée La profondeur ou la distance calculée jusqu'à la sonde ou le centre apparent de l'élément conducteur en cours de traçage. Il s'agit d'une mesure virtuelle qui risque d'être faussée par la présence de distorsions. La profondeur réelle doit être confirmée par sondage ponctuel avant d'entamer les terrassements.

Mode L'état ou moyen de fonctionnement distinct utilisé par un système particulier. Le NaviTrack II dispose de trois modes opératoires : « Traçage de ligne actif », « Traçage de ligne passif », et « Traçage de sonde ».

Antenne omnidirectionnelle Un type d'antenne breveté qui assure la détection des champs électromagnétiques sur trois axes simultanément. Le NaviTrack II utilise deux antennes omnidirectionnelles.

Ecran opérationnel L'écran d'affichage de l'instrument tel qu'il apparaît en cours de localisation. Il comprend une zone active renfermant les lignes de tracé et de distorsion lorsque l'appareil est en mode « Tracage de ligne », et les icônes de pôle et d'équateur lorsqu'il est en mode « Sonde ». Selon le mode opératoire et les fonctions utilisées, il affiche également les données de profondeur mesurée, d'intensité de signal, d'angle de signal, de courant et de proximité.

Traçage de ligne passif Mode de tracage des lignes n'utilisant pas de transmetteur pour mettre les conduites sous tension. Il sert au tracage des lignes dotées de signaux couplés de l'extérieur.

Pôle Là où les lignes de champs d'une sonde sortent verticalement du sol. L'une ou l'autre des extrémités d'un champ bipolaire (tel que le champ magnétique de la terre) ou du champ entourant une sonde. Le NaviTrack II affiche un icône de pôle lorsqu'il détecte les pôles d'une sonde.

Signal de proximité En mode « Tracage de ligne », un signal calculé représentant la proximité de l'appareil vis-à-vis de la conduite ciblée. Il est calculé selon le signal reçu par les deux boules d'antenne omnidirectionnelles du NaviTrack II.

Hippodrome Parcours facultatif en périmètre de la zone active de l'écran dans lequel circule le marqueur de niveau pour fournir une indication schématique de l'intensité du signal. Il contient également le filigrane qui représente l'intensité la plus élevée déjà atteinte par le signal.

Angle du signal L'angle de champs partant de l'horizontale.

Intensité du signal L'intensité relative du signal émit par le champ et détecté par l'antenne omnidirectionnelle inférieure en trois dimensions.

Sonde Un transmetteur autonome, souvent à piles, servant à signaler un point donné le long d'un tuyau souterrain, d'un tunnel ou d'une conduite souterraine.

Filigrane Icône d'affichage facultatif représentant le niveau d'intensité de signal le plus élevé détecté. Il suit l'hippodrome en avançant lorsque le pointeur de niveau atteint un nouveau sommet, assurant ainsi une vue schématique du signal maximum détecté. Voir « Pointeur de niveau ».

Tableau 1 Dépannage

ANOMALIE	LOCALISATION PROBABLE
Le NaviTrack II se bloque en cours de route.	Eteignez l'appareil, puis remettez-le en marche. S'il refuse de s'éteindre, enlevez les piles. Si les piles sont faibles, remplacez-les.
Le NaviTrack II ne reçoit pas de signal.	Vérifiez les réglages de mode et de fréquence. Examinez le circuit pour possibilités d'amélioration. Déplacez le transmetteur et la terre, changez de fréquence, etc.
Lors des traçages, les lignes se « baladent » partout sur l'écran.	Ceci indique soit que le NaviTrack ne reçoit pas de signal, soit la présence de parasites. Vérifiez le branchement et la mise à la terre du transmetteur. Pointez le NaviTrack vers l'un des deux câbles pour vérifier que le circuit est bien bouclé. Essayez une fréquence plus élevée, le raccordement à un endroit différent de la conduite ou l'utilisation du mode induction. Essayez de localiser et d'éliminer toutes sources de parasites (raccord éclissé, masse, etc.).
Lors d'une localisation de sonde, les lignes se « baladent » partout sur l'écran.	Vérifiez le bon fonctionnement des piles de la sonde. La sonde risque d'être trop éloignée. Essayez de la rapprocher ou d'effectuer un balayage de secteur. Vérifiez le signal en rapprochant l'antenne inférieure de la sonde. <i>NOTA</i> – Les sondes ont du mal à émettre à travers les conduites en fonte et fonte ductile.
La distance entre la sonde et les pôles est inégale.	Ou la sonde est inclinée, ou il y a une transition de conduite fonte à conduite plastique.
L'appareil a un comportement erratique et refuse de s'éteindre normalement.	Les piles risquent d'être déchargées. Remplacez-les et remettez l'appareil en marche.
L'écran est complètement noir ou complètement blanc lorsqu'il est allumé.	Eteignez l'appareil, puis remettez-le en marche. Réglez le contraste de l'écran ACL.
Il n'y a pas de son.	Réglez le niveau sonore dans le menu « Son ». Vérifiez que le signal de proximité est supérieur à zéro.
Le NaviTrack II ne s'allume pas.	Vérifiez l'orientation des piles. Vérifiez la charge des piles. Examinez l'état des contacts de pile. Possibilité de fusible sauté (intervention d'usine obligatoire).
Le détecteur ne reçoit pas de signal lors de l'utilisation de la fréquence de 93 kHz.	Essayez de régler le récepteur à la fréquence « 93-B » comme indiqué à la <i>page 50</i> .

NaviTrack® II

Localizador de tubos, cables y sondas

Patente solicitada



RIDGID[®]

NaviTrack® II

Anote aquí el número de serie del aparato y consérvelo. El número de serie y la versión de software que utiliza aparecen en la ventana de informaciones del visualizador del aparato.

No. de serie

Versión de software

Índice

Ficha para apuntar el número de serie del aparato y su versión de software	67
Información general de seguridad	
Seguridad en la zona de trabajo	69
Seguridad eléctrica	69
Precauciones con las pilas	69
Seguridad personal	69
Uso y cuidado del NaviTrack II	69
Servicio	70
Información específica de seguridad	
Aviso importante	70
Especificaciones y equipo estándar	
Especificaciones	71
Equipo estándar	71
Equipo opcional	71
Frecuencias	71
Símbolos	72
Componentes del NaviTrack II	73
Presentación del NaviTrack II	
Instalación y reemplazo de las pilas	74
Mástil plegable	74
Modalidades del NaviTrack II	74
Elementos de display	74
Preparación	75
Localización de Sondas	
Métodos de localización	80
Sondas inclinadas	81
Medición de la profundidad (Modalidad 'Sonda')	82
Descrestamiento (Modalidad 'Sonda')	83
Rastreo de conductos	
Rastreo de conductos activados	83
Rastreo de Conductos Pasivos	85
Consejos prácticos para el rastreo de conductos activados o pasivos	86
Medición de la profundidad (modalidades de Rastreo de Conductos)	87
Descrestamiento (Modalidades de Rastreo)	87
Menús y posiciones	88
Características opcionales dentro del Menú de Elementos en el display	90
Control para la selección de Frecuencias	91
Pantalla de informaciones y restauración de elementos predeterminados	92
Árbol de Menús	92
Una mejor manera de localizar	93
Ventajas de la antena omnidireccional	93
Señal de Proximidad	94
Localización "informada"	94
Cómo aprovechar el NaviTrack II al máximo	
Más sobre localización "informada"	95
Observaciones sobre la exactitud	95
Mantenimiento del NaviTrack II	
Transporte y almacenamiento	96
Instalación y uso de accesorios	97
Mantenimiento y limpieza	97
Localización de componentes defectuosos	97
Servicio y reparaciones	97
Glosario – Definiciones	98
Detección de averías	100
Garantía vitalicia	carátula posterior

Información general de seguridad

¡ADVERTENCIA! Lea y comprenda todas las instrucciones. Pueden ocurrir golpes eléctricos, incendios y/o lesiones personales graves si no se siguen todas las instrucciones detalladas a continuación.

¡GUARDE ESTAS INSTRUCCIONES!

Seguridad en la zona de trabajo

- **Mantenga su área de trabajo limpia y bien alumbrada.** Los bancos de trabajo desordenados y las zonas oscuras pueden ocasionar accidentes.
- **No haga funcionar aparatos eléctricos o herramientas motorizadas en atmósferas explosivas, como por ejemplo en la presencia de líquidos, gases o polvo denso inflamables.** Los aparatos eléctricos y las herramientas motorizadas generan chispas que pueden inflamar el polvo o los gases.
- **Al hacer funcionar este aparato, mantenga apartados a espectadores, niños y visitantes.** Las distracciones pueden hacerle perder el control del aparato.

Seguridad eléctrica

- **No haga funcionar este aparato si se le ha sacado algún componente eléctrico.** Las partes del aparato que queden expuestas aumentan el riesgo de causar lesiones.
- **No exponga el aparato a la lluvia o a la humedad.** Mantenga las pilas secas. Cuando agua penetra en un aparato a motor, aumenta el riesgo de que se produzca un choque eléctrico.
- **No sondee cables eléctricos de alta tensión.**

Precauciones con las pilas

- **Emplee únicamente pilas del tipo y tamaño especificados. No mezcle distintos tipos de pilas, por ejemplo, no use a un mismo tiempo pilas alcalinas con recargables.** Tampoco emplee pilas parcialmente descargadas en conjunto con otras totalmente cargadas; o pilas nuevas con usadas.
- **Recargue las pilas únicamente con el cargador especificado por el fabricante de las pilas.** El uso de otro cargador puede recalentar o reventar las pilas.
- **Elimine las pilas como es debido.** No las eche al fuego porque, a altas temperaturas, las pilas explotan. Algunos países han reglamentado la eliminación de pilas y baterías. Le rogamos cumpla con todas las normas locales vigentes.

Seguridad personal

- **Manténgase alerta, preste atención a lo que está haciendo y use sentido común.** No use este aparato cuando esté cansado o se encuentre bajo la influencia de drogas, alcohol o medicamentos. Sólo un breve descuido mientras hace funcionar un aparato puede resultar en lesiones personales graves.
- **Siempre debe usar guantes por razones sanitarias y de seguridad.** Los desagües son insalubres y pueden tener bacterias y virus dañinos para su salud.
- **No trate de alcanzar algo extendiendo su cuerpo. Mantenga sus pies firmes y un buen equilibrio en todo momento.** Al mantener el equilibrio podrá controlar el aparato en situaciones inesperadas.
- **Use equipo de seguridad.** Siempre lleve protección para los ojos. Cuando las condiciones lo requieran, debe usar mascarilla para el polvo, calzado de seguridad antideslizante, casco duro y/o protección para los oídos.
- **Emplee los accesorios adecuados.** No coloque este aparato sobre un carro o superficie inestable. El aparato puede caer y herir gravemente a un niño o adulto, o dañarse.
- **Evite que al aparato le entren líquidos u objetos foráneos.** No derrame líquidos de ningún tipo sobre el aparato. Si al aparato le entra un líquido, aumenta el riesgo de que ocurran choques eléctricos o que se dañe.
- **Evite el tráfico vehicular. Preste mucha atención al movimiento vehicular cuando emplee este aparato en las inmediaciones de carreteras o caminos. Vista ropa de colores llamativos o un chaleco reflectante.** Estas precauciones pueden evitar accidentes de gravedad.

Uso y cuidado del NaviTrack II

- **Sólo use este equipo de la manera indicada.** No utilice este NaviTrack II si no ha leído este manual del operario y no ha completado la capacitación necesaria para hacerlo funcionar.
- **No sumerja las antenas en agua. Almacene el aparato en un lugar seco.** Así se evitan los choques eléctricos y daños al equipo.
- **Almacene los aparatos que no estén en uso fuera del alcance de los niños y de otras personas sin entrenamiento.** Las herramientas son peligrosas en las manos de usuarios no capacitados.
- **Hágale cuidadoso mantenimiento a su aparato.**

Las herramientas bien mantenidas son menos susceptibles de causar accidentes.

- **Verifique que las piezas del aparato no estén quebradas o si existe cualquiera otra condición que pueda afectar el buen funcionamiento del NaviTrack II.** En caso de estar dañado, antes de usar el aparato, hágalo componer. Un sinnúmero de accidentes se deben a la falta de un mantenimiento adecuado de las herramientas.
- **Solamente use los accesorios recomendados por el fabricante del NaviTrack II.** Los accesorios que son adecuados para un aparato pueden ser peligrosos al usárselos en otro.
- **Mantenga los mangos limpios y secos, libres de aceite y grasa.** Así se ejerce mejor control sobre el aparato.
- **Proteja el aparato del calor excesivo.** El aparato nunca debe situarse cerca de fuentes de calor como radiadores, rejillas de calefacción, cocinas, estufas u otros productos (incluso amplificadores) que generan calor.

Servicio

- **El servicio al aparato sólo debe ser efectuado por personal de reparación calificado.** El servicio o mantenimiento practicado por personal de reparaciones no calificado puede resultar en lesiones.
- **Cuando efectúe servicio en un aparato debe usar únicamente repuestos o piezas de recambio idénticas.** Siga las instrucciones en la sección de Mantenimiento de este manual. El uso de piezas no autorizadas o el no seguir las instrucciones para el mantenimiento, pueden crear el riesgo de que se produzca un choque eléctrico o lesiones.
- **Siga las instrucciones para cambiarle accesorios a su aparato.** Se producen accidentes cuando el mantenimiento de una herramienta es deficiente.
- **Limpie el aparato como es debido.** Extráigale las pilas antes de limpiarlo. No use líquidos ni aerosoles de limpieza. Emplee un paño húmedo para limpiarlo.
- **Efectúele una revisión de seguridad al aparato.** Después de hacerse mantenimiento o alguna reparación a este aparato, pídale al técnico de reparaciones que le efectúe un chequeo de seguridad para asegurar que el aparato quedó en buenas condiciones de funcionamiento.
- **Daños al aparato que exigen reparaciones.** Llévelo a un técnico calificado si observa cualquiera de estas condiciones:

- se ha derramado líquido sobre el aparato o le han entrado objetos foráneos;
- el aparato no funciona normalmente aunque se sigan las instrucciones de funcionamiento;
- el aparato se ha caído o dañado de alguna manera;
- el aparato exhibe un rendimiento anormal.

⚠ CUIDADO

Antes de transportar o enviar el aparato a reparaciones, extráigale las pilas.

Si tiene cualquier pregunta acerca del servicio o reparación de este aparato, llame o escriba a:

Ridge Tool Company
 Departamento de Servicio Técnico
 400 Clark Street
 Elyria, Ohio 44035-6001
 Tel: (800) 519-3456
 E-mail: TechServices@ridgid.com
 En la web: www.ridgid.com ó
 www.navitrack.com

Al escribirnos, por favor proporcione toda la información que aparece en la placa de características y en la ventana de informaciones en el visualizador del aparato, incluyendo el número del modelo, su número de serie y la versión del software que utiliza (*Figura 1*).

Información específica de seguridad

⚠ ADVERTENCIA

Lea cuidadosamente este manual del operario antes de usar el NaviTrack II. Si no se comprenden y siguen las instrucciones de este manual, pueden ocurrir choques eléctricos, incendios y/o lesiones personales de gravedad.

Si tiene cualquier pregunta, llame al Departamento de Servicio Técnico de Ridge Tool Company al (800) 519-3456.

Aviso importante

El NaviTrack II es un aparato de diagnóstico que detecta campos electromagnéticos emitidos por objetos que se encuentran bajo tierra. Su función es ayudar al usuario a localizar estos objetos haciéndole "ver" varias características de las líneas del campo en la pantalla del visualizador. Debido a que las líneas de los campos electromagnéticos pueden sufrir distorsiones o interferencias, es importante verificar la ubicación de los objetos enterrados antes de proceder a cavar.

Muchos conductos pertenecientes a empresas de servicios públicos pueden encontrarse enterrados

en una misma área. Cumpla con las directrices locales vigentes y haga las averiguaciones pertinentes antes de cavar.

Sólo se puede tener absoluta certeza de la existencia, posición y profundidad de un conducto enterrado dejándolo al descubierto.

Ridge Tool Company, sus empresas afiliadas o proveedores no se responsabilizan de ninguna lesión y de ningún daño directo, indirecto, secundario o resultante, sufridos a raíz del uso del NaviTrack II.

Especificaciones y equipo estándar

Especificaciones

Peso con pilas5,2 libras (2,35 kg.)
Peso sin pilas4,5 libras (2,04 kg.)

Dimensiones:

Longitud.....15 pulgs. (38,1 cm.)
Ancho7,2 pulgs.(18,3 cm.)
Altura (extendido)31,1 pulgs. (78,9 cm.)
Altura (cerrado)19,1 pulgs. (48,5 cm.)

Fuente de alimentación4 pilas alcalinas tipo C de 1,5v (ANSI/NEDA 14A, IEC LR14) o pilas recargables de NiMH o NiCad de 1,2v

Potencia nominal.....6v, 550mA

Intensidad de señalno lineal (2000 es 10 veces más fuerte que 1000, 3000 es 10 veces más fuerte que 2000, etc.)

Condiciones ambientales de funcionamiento

Temperatura.....-20°C a 50°C (-4°F a 122°F)
Humedad relativa5 hasta 95%

Temperatura de almacenaje.....-20°C a 60°C (-4°F a 140°F)

Regulaciones predeterminadas

Las regulaciones predeterminadas del localizador son:

- Unidades de medición de profundidad = pies y pulgadas
- Volumen = 2 (dos niveles por encima de mudo)
- Alumbrado de fondo = automático
- Modalidad predeterminada (Sonda) 512 Hz

Regulaciones opcionales

Las regulaciones opcionales del localizador son:

- Unidad de medición de profundidad = metros
- Volumen = 0 (mudo) hasta 5
- Alumbrado de fondo = encendido, apagado

- Modalidad: Rastreo de conductos activados, Rastreo de conductos pasivos

Equipo Estándar

No. en el catálogo	Descripción
96967	Localizador NaviTrack II
12543	Fichas indicadoras (en la superficie) y clip
22388	Caja dura moldeada para el transporte
—	Manual del Operario (se puede trasvasar desde www.navitrack.com)
—	Guía recordatoria de funciones (se puede trasvasar desde www.navitrack.com)

Equipo opcional

No. en el catálogo	Descripción
14818	Transmisor NaviTrack de intratubería - 10 vatios
20168	Transmisor NaviTrack Brick (pequeño y resistente como un ladrillo) - 5 vatios
20503	Pinza inductiva (4,75")
16728	Transmisor remoto (Sonda)
19793	Sonda flotante (paquete de dos)
12543	Fichas indicadoras (en la superficie) y clip

Frecuencias

Frecuencias predeterminadas	
Sonda	512Hz
Rastreo de Conducto Activado	128Hz 1kHz, 8kHz, 33kHz, 262kHz (Europa: 93kHz)
Rastreo de Conducto Pasivo	60Hz (novena)








Frecuencias opcionales	
Sonda	16Hz, 640Hz, 850Hz, 8kHz, 16kHz, 33kHz
Rastreo de Conducto Activado.....	200kHz
Rastreo de Conducto Pasivo.....	50Hz (novena)

Valores nominales y exactos de frecuencias (NaviTrack II)		
Sonda	16 Hz	16
	512 Hz	512
	640 Hz	640
	850 Hz	850
	8 kHz	8192
	16 kHz	16384
Rastreo de Conducto Activado	33 kHz	32768
	128 Hz	128
	1 kHz	1.024
	8 kHz	8.192
	33 kHz	32.768
	200 kHz	200.000
Rastreo de Conducto Pasivo	262 kHz	262.144
	50 Hz (novena armónica)	450
	60 Hz (novena armónica)	540 Hz
(Europa)	93 kHz	93.696,0
	93 kHz -B	93.622,9

(Vea nota en página 85 sobre frecuencias de 93 kHz.)

Símbolos


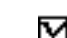




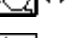



Iconos en el teclado

-  Tecla de Búsqueda ascendente (flecha) – Navegación por los menús
-  Tecla 'Encendido/ Apagado' (ON/OFF)
-  Tecla 'Selección' – Selección de Menús
-  Tecla 'Menús'
- Modalidad 'Sonda': Forzar medición de Profundidad/ Re-centrar audio**
- Modalidad 'Rastreo de Conductos': Forzar display de mapa si la intensidad de Señal está centrada/ Re-centrar audio**
-  Tecla 'Frecuencias'
-  Tecla de Búsqueda descendente (flecha) – Navegación por los menús
-  Tecla 'Sonido'

Iconos en el visualizador

-  Frecuencia de Sonda
-  Frecuencia de Rastreo Activo
-  Señal de proximidad
-  Intensidad de la señal
-  Profundidad/Distancia medida
-  Indicador del ángulo de la señal (modalidad 'Sonda')
-  Indicador del ángulo de la señal (modalidad 'rastreo de conductos')
-  Icono de polo
-  Línea del ecuador de la sonda
-  Nivel del sonido
-  Nivel de carga de las pilas
-  Pilas con bajo nivel de carga (pestañeando)
-  Puntero (intensidad de la señal)
-  Marcador de agua (intensidad de la señal)
-  No hay señal de sonda
-  No hay señal de rastreo
-  Línea de Rastreo (señal de la antena inferior)
-  Línea de Distorsión (señal de la antena superior)
-  Señal de Descrestamiento

Iconos en los menús

-  Restaurador de las regulaciones predeterminadas de fábrica
-  Cuadrado para marcar un tic y activar la opción
-  Menú de herramientas
-  Control del alumbrado de fondo
-  Control del contraste de la pantalla
-  Organizador de displays
-  Organizador de menús
-  Informaciones
-  Temporizador automático de salida del menú
-  Salir/ Subir al próximo nivel (oprime la tecla 'Menú')

Componentes del NaviTrack II



Figura 1

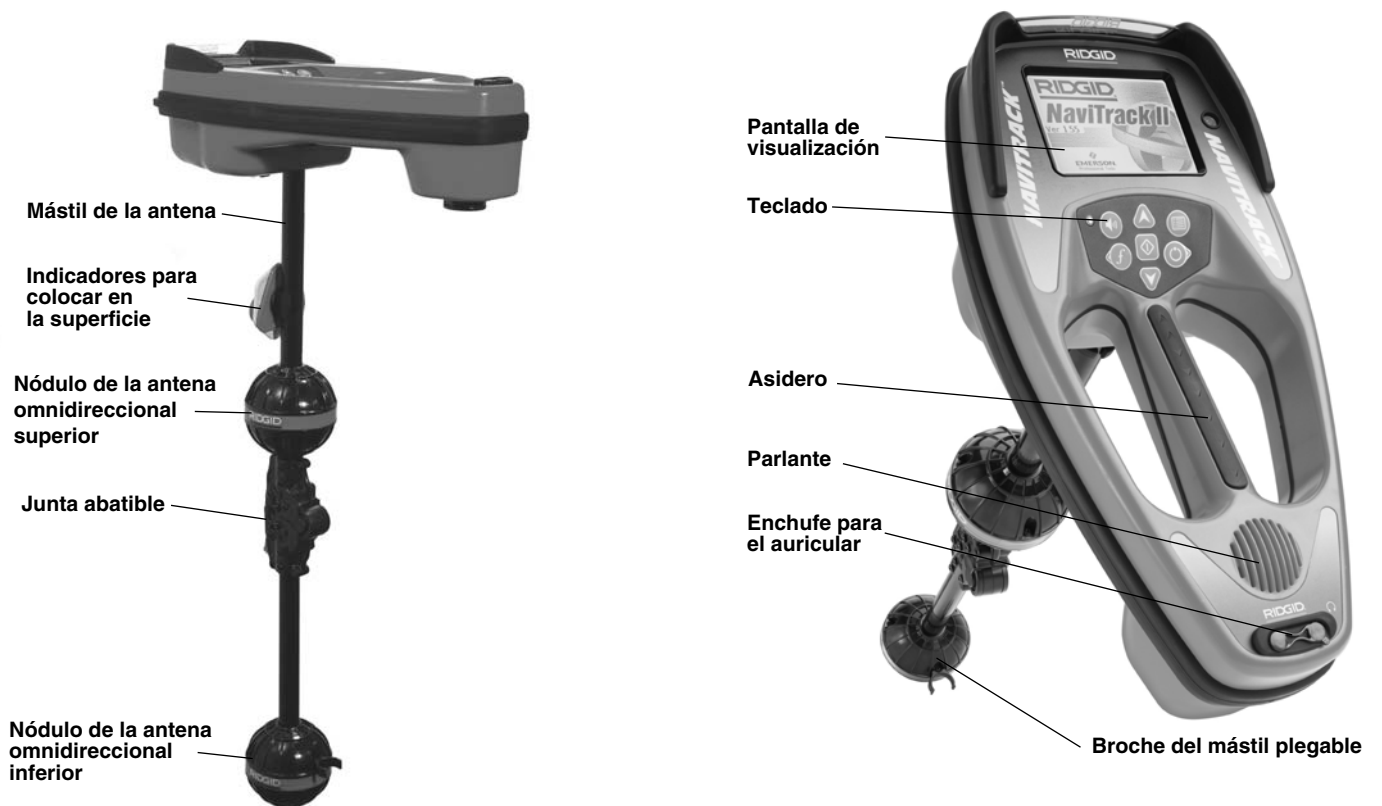


Figura 2

Figura 3

Presentación del NaviTrack II

Instalación y reemplazo de las pilas

Para instalar las pilas del NaviTrack II, voltee la unidad para acceder al compartimiento de las pilas. Gire la perilla en la tapa del compartimiento hacia la izquierda. La tapa se levantará levemente. Tire de la perilla rectamente hacia arriba para extraer la tapa. Inserte las pilas del mismo modo como se indica en la calcomanía del interior y asíéntelas correctamente.

Vuelva a colocar la tapa sobre el compartimiento y gire la perilla hacia la derecha mientras presiona hacia abajo para cerrarla. La tapa del compartimiento de las pilas puede colocarse en cualquier sentido.



Figura 4 – Compartimiento de las pilas

El nivel de carga de las pilas demora unos instantes en aparecer cuando recién se enciende el NaviTrack II. En el intertanto, mostrará pilas descargadas.

¡CUIDADO! No permita que en el compartimiento de las pilas entren desechos o mugre porque pueden producir cortocircuitos en los contactos de las pilas y causar la rápida descarga de las pilas. A su vez, una pila descargada puede tener fuga de electrolitos o presentar riesgo de incendio.

Mástil plegable

Para comenzar, despliegue el mástil de la antena y enganche la junta abatible. Cuando haya terminado de usar el aparato, presione la lengüeta de desenganche roja para plegar la antena y guardarla.

¡IMPORTANTE! El mástil de la antena no debe abrirse ni cerrarse de golpe. Hágalo suavemente con las manos.

¡NOTA! Evite arrastrar el nódulo de la antena inferior por el suelo mientras localiza con el NaviTrack II. Causará ruidos en la señal, los que interferirán con los resultados. Con el tiempo, podría dañarse la antena.

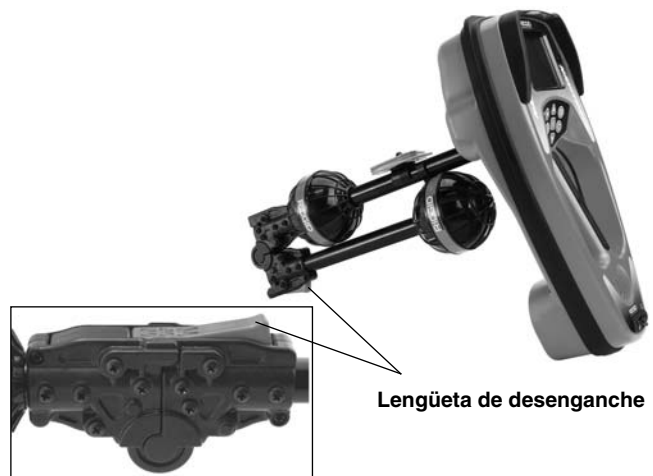


Figura 5 – Modo en que se pliega el mástil de la antena y lengüeta de desenganche

Modalidades del NaviTrack II

El NaviTrack II funciona en tres modalidades distintas. Ellas son:

1. Modalidad 'Sonda': se emplea para localizar sondas en tuberías, conductos o túneles no conductores y que resultan imposibles de rastrear de otra manera.
2. Modalidad 'Rastreo de Conducto Activado': se usa cuando es posible inducirle una frecuencia determinada a un conducto largo empleando un transmisor. De esta forma tuberías, conductos o cables se transforman en conductores eléctricos y pueden localizarse.
3. Modalidad 'Rastreo Pasivo': se emplea para rastrear cables eléctricos por los cuales ya pasa corriente de 60 Hz (Estados Unidos) o de 50 Hz (Europa).

Note que las dos modalidades de rastreo, Activa y Pasiva, son idénticas, excepto que emplean frecuencias diferentes. En la Modalidad Pasiva no se emplea un transmisor.

Elementos en el display

El NaviTrack II resulta fácil de usar tanto para los operarios avezados como para los novatos. Si bien el NaviTrack II posee avanzadas características que permiten lograr localizaciones complejas con bastante facilidad, se pueden apagar u ocultar muchas de sus funciones para simplificar el contenido del display. En especial, cuando se realizan localizaciones básicas y sin complicaciones.

Las características básicas del NaviTrack II vienen pre-determinadas. Pero pueden personalizarse fácilmente para satisfacer las necesidades de cada usuario. Los

usos de los diversos elementos que aparecen en el visualizador o display se analizan en secciones posteriores de este manual.

Elementos básicos en el visualizador

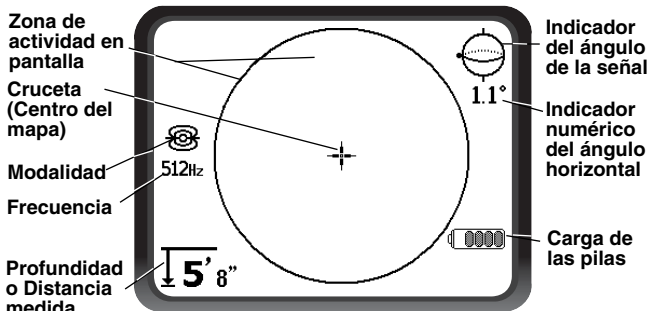


Figura 6 – Elementos básicos en el visualizador

El visualizador mostrará los siguientes elementos en cada una de las modalidades: Sonda, Rastreo de Conductos Activados y Rastreo de Conductos Pasivos

Indicador del ángulo de la señal: muestra gráficamente el ángulo que apunta hacia el centro del campo. Su valor numérico aparece debajo del ícono.

Carga de las pilas: indica el nivel de carga de las pilas.

Profundidad o Distancia Medida: muestra la profundidad que se ha medido cuando el receptor está tocando el suelo directamente sobre la fuente de la señal. Muestra la distancia computarizada cuando el mástil de la antena está siendo apuntado hacia la fuente de la señal de alguna otra manera. Entrega las medidas en pies y pulgadas (unidades predeterminadas para EE.UU.) y metros (para Europa).

¡NOTA! La Profundidad Medida es una cifra computarizada que podría ser distinta de la distancia o profundidad física real, dependiendo de la intensidad de la señal del campo y las distorsiones presentes.

Frecuencia: expresa la frecuencia en uso ya sea en hercios o kilohercios.

Modalidad: símbolo de Sonda, de Rastreo de Conductos Activados, y de Rastreo de Conductos Pasivos.

+ Cruceta (Centro del mapa): muestra la posición suya con respecto al centro del objetivo.

Zona de actividad en pantalla: la zona comprendida dentro del círculo en la pantalla donde aparecen los íconos de Sonda y Polo, y las líneas de Rastreo y Distorsión.

Elementos en el display de Modalidad 'Sonda'

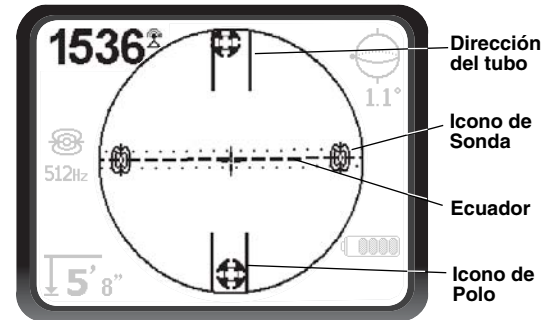


Figura 7 – Elementos en el display de Modalidad 'Sonda'

Íntensidad de la señal: intensidad de la señal captada por la antena omnidireccional inferior.

Dirección o trayectoria del tubo: representa la trayectoria aproximada del tubo por donde va la sonda.

Ícono de Sonda: aparece cuando se aproxima la localización de una Sonda.

Ecuador: representa la línea media del campo de la Sonda, perpendicular al eje de los Polos. (Vea en la página 81.)

Ícono de Polo: representa la ubicación de cualquiera de los dos Polos del campo de dipolo de una Sonda. (Vea en la página 80.)

Elementos en el display de Modalidad 'Rastreo de Conductos Activados'

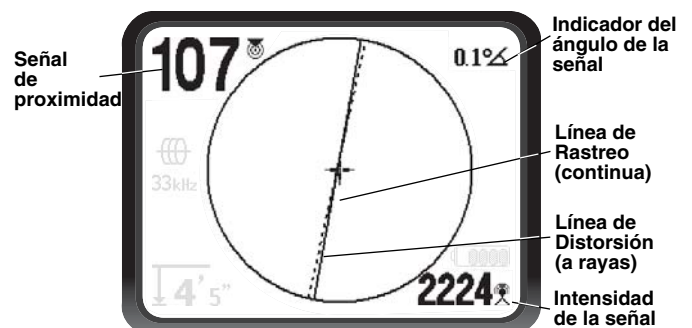


Figura 8 – Elementos en el display de Modalidad 'Rastreo de Conductos Activados'

En la Modalidad 'Rastreo de Conductos Activados' también aparecerán en el display:

Señal de proximidad: número que indica cuán cercana se encuentra la fuente de la señal con respecto al localizador. Los números van del 1 al 999 (en Rastreo de Conductos Activados solamente).

Íntensidad de la señal: intensidad de la señal captada por la antena omnidireccional inferior.

----- **Línea de Distorsión (señal de la antena superior):** muestra la aparente dirección o trayectoria del campo según la capta la antena superior. Si no se encuentra alineada con la línea de Rastreo, el campo se encuentra distorsionado.

— **Línea de Rastreo (señal de la antena inferior):** muestra la aparente dirección o trayectoria del campo según la capta la antena inferior.

Elementos en el display de Modalidad 'Rastreo de Conductos Pasivos'

Los elementos que aparecen en la pantalla de un Rastreo Pasivo son los mismos de un Rastreo de Conductos Activados.

¡NOTA! La Modalidad que se emplea la determina el objetivo: sonda o conducto. Es decir, si se selecciona la frecuencia 512 Hz en la sección de Modalidad 'Sonda' del Menú de Frecuencias, el NaviTrack II queda colocado en la Modalidad 'Sonda'. (Debe seleccionarse una frecuencia en la categoría correspondiente si ésta aparece en más de una categoría, como por ejemplo: 33 kHz).

Frecuencias predeterminadas

El Menú Principal de Frecuencias contiene una gran cantidad de frecuencias, pero en la actualidad sólo algunas se encuentran disponibles. Se las transforma en "actualmente disponibles" haciéndoles una marca o tic en el Menú Principal de Frecuencias, como se describe en la página 91. Las frecuencias que pueden usarse en la actualidad aparecen en el Menú Principal cuando se oprime la tecla 'Menús'.

Las frecuencias "actualmente disponibles" pueden ser marcadas con un tic en el Menú Principal, en cuyo caso aparecerán al oprimirse la tecla 'Frecuencias'. Si en el Menú Principal no tienen un tic delante, no aparecerán en la pantalla a la cual se accede con la tecla 'Frecuencias'. Las frecuencias que figuran en el Menú Principal y que tienen un tic delante se denominan "frecuencias activadas con un tic".

Se repasa el listado de las "frecuencias activadas con un tic" oprimiendo la tecla 'Frecuencias' (vea la Figura 9). La frecuencia que se seleccione oprimiendo la tecla 'Frecuencias' pasa a ser la "frecuencia en uso".

Las frecuencias predeterminadas disponibles actualmente son:

- ⊗ **Modalidad 'Sonda'**
 - 512 Hz

- ⊗ **Modalidad 'Rastreo de Conducto Activado'**
 - 128 Hz
 - 33 kHz
 - 1 kHz
 - 8 kHz
 - 262 kHz
- ⚡ **Modalidad 'Rastreo de Conducto Pasivo'**
 - 60 Hz (energía eléctrica)

El uso de estas frecuencias se describe en las secciones de localización con Sonda, de Rastreo Activado y de Rastreo Pasivo.

Teclado

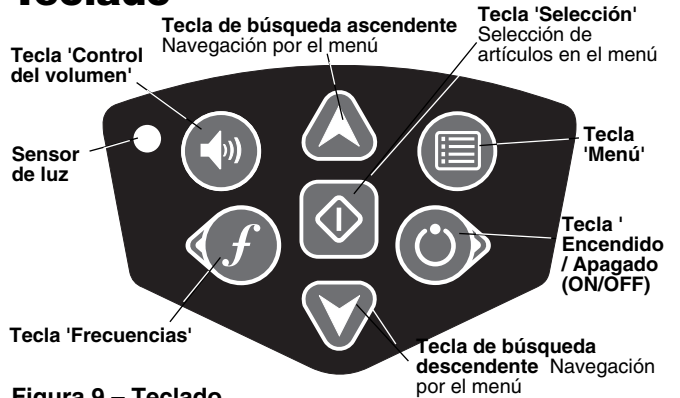


Figura 9 – Teclado

⏻ **Tecla 'Encendido/ Apagado' (ON/OFF):** enciende el NaviTrack II. Lo apaga tras tres segundos de conteo regresivo. El conteo regresivo puede interrumpirse oprimiendo cualquier tecla antes de que el aparato se apague por completo.

▲▼ **Tecla de búsqueda ascendente y descendente (flechas):** se usa para realzar opciones durante la selección de menús; también se la utiliza para controlar el volumen cuando se ha presionado la tecla de Sonido

⬇️ **Tecla 'Selección':** se emplea para hacer una selección dentro de un menú. Durante el funcionamiento normal, se emplea para forzar una lectura de Profundidad Medida y para re-centrar el tono del audio. Puede usarse para forzar la aparición de la profundidad en la pantalla. En el Menú de Sonido establece el volumen.

☰ **Tecla 'Menú':** se emplea para mostrar un "árbol" de opciones, entre ellas: selección de frecuencias, selección de los elementos que se desea ver en el visualizador, brillo y contraste, y la restauración de las posiciones o regulaciones predeterminadas. Cuando se esté en un menú, oprímala para subir al próximo nivel.

🔊 **Tecla 'Control del volumen':** se emplea para aumentar o disminuir el volumen. Aumenta el volumen

gradualmente a partir de la posición actual hasta llegar al máximo y luego se apaga. La tecla 'control del volumen' abre el panel de control del volumen si es que se encuentra cerrado, y lo cierra si está abierto. El volumen también puede regularse mediante las teclas de búsqueda ascendente o descendente (las marcadas con punta de flecha).

f Tecla 'Frecuencias': se emplea para fijar la frecuencia "en uso" del NaviTrack II, seleccionándola del conjunto de frecuencias "activadas con un tic". La lista de frecuencias que figuran "activadas con un tic" puede modificarse mediante la Tecla 'Menús'. Las frecuencias se agrupan en tres conjuntos: Frecuencias de Sonda (🌀), Frecuencias de Rastreo de Conductos (🌀) y Frecuencias de energía eléctrica (⚡). Cada vez que se oprime la tecla 'Frecuencias' se obtiene la "frecuencia activada con tic" siguiente.

Sensor de luz: detecta los niveles de luz y controla el alumbrado de fondo de la pantalla, el cual ha sido regulado para encenderse con poca luz ambiente. Usted puede encender el alumbrado de fondo colocando su pulgar sobre el sensor de luz.

Autonomía

Con pilas alcalinas, el NaviTrack II funcionará entre 12 y 24 horas, dependiendo del volumen del sonido y del tiempo en que el alumbrado de fondo del visualizador ha estado encendido. Hay otros factores que también inciden en la autonomía operacional: la composición química de las pilas (muchas de las pilas modernas de alto rendimiento -high performance-, tales como las Duracell® ULTRA, duran entre un 10 y un 20 por ciento más que las pilas alcalinas tradicionales sometidas a condiciones extremas de uso). El funcionamiento del aparato a bajas temperaturas también disminuye la duración de las pilas.

El NaviTrack II puede mostrar símbolos al azar cuando las pilas tienen poca carga y no son capaces de hacer funcionar los circuitos lógicos del aparato correctamente. Se corrige esta situación colocando pilas cargadas en la unidad.

Para ahorrar energía, el NaviTrack II se apaga automáticamente si dentro de una hora no se le ha oprimido ninguna tecla. Encienda el aparato nuevamente para continuar usándolo.

Señal de pilas con poca carga

Cuando a las pilas les queda poca carga, en la zona de mapa en la pantalla aparecerá el ícono de pila (🔋). El símbolo advierte que las pilas deben reemplazarse y que la unidad se apagará dentro de poco.

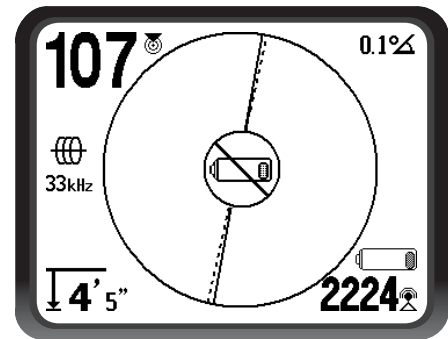


Figura 10 – Icono de pilas descargadas

Poco antes de que el NaviTrack II se apague por completo, comenzará una cuenta regresiva que no podrá interrumpirse.

¡NOTA! El voltaje de las pilas recargables a veces cae tan abruptamente que el aparato simplemente se apaga. Una y otra vez el NaviTrack II intentará reencenderse (restart). Cámbiele las pilas y vuelva a encenderlo.

Puesta en marcha

Oprima la tecla 'Encendido/ Apagado' (🔘) en el teclado. Aparece el logotipo de RIDGID® y a mano izquierda en la pantalla, el número de la versión de software.

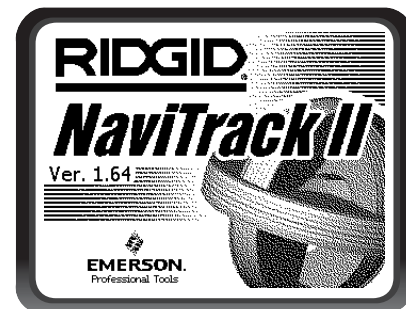


Figura 11 – Pantalla de inicio

En la versión europea, aparecerá en pantalla el logotipo de la Comunidad Europea (CE).

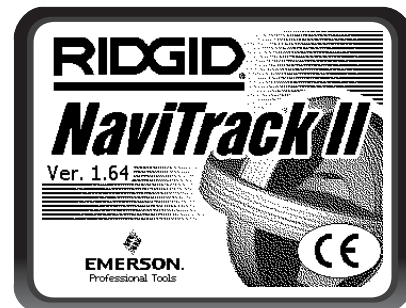


Figura 12 – Pantalla de inicio europea

Apunte la versión de software en el rectángulo en la página 67. Si alguna vez necesitara soporte técnico de Ridge, usted deberá entregarnos esta información.

Preparación

Una vez que el NaviTrack II está funcionando, hay que fijar las frecuencias que correspondan a la sonda, transmisor o cable que se desea localizar.

Cada frecuencia se selecciona de un listado en el Menú Principal. Si el cuadrado delante de una frecuencia se encuentra marcado con un tic, la frecuencia está "activada".

Las frecuencias marcadas con un tic ya han sido seleccionadas para usarse. Aparecen en orden al oprimir repetidamente la Tecla 'Frecuencias' *f*. (Por ejemplo, la frecuencia de Sonda de 512 kHz está a su disposición oprimiendo la Tecla 'Frecuencias'.)

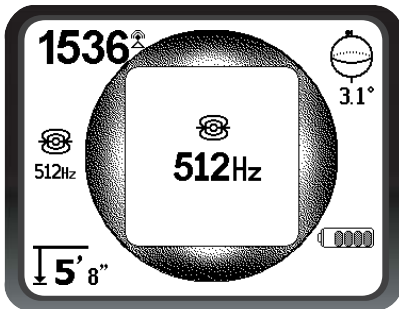


Figura 13 – Frecuencia de sonda seleccionada con la tecla 'Frecuencias'

Activación de frecuencias

Usted puede marcar frecuencias para formar un conjunto de Frecuencias Activadas con tic para que estén disponibles al oprimir la Tecla 'Frecuencias' *f*. También pueden desactivarse algunas frecuencias para que el conjunto sea menor.

Se activa cada frecuencia seleccionándola de una lista en el Menú Principal (vea la Figura 15). Las frecuencias se agrupan por categoría:

Sonda 

Rastreo de Conductos Activados 

Rastreo de Conductos Pasivos (por los que pasa energía eléctrica) 

1. Oprima la tecla 'Menú':



Figura 14 – Tecla 'Menú'

Se ha activado el Menú Principal:

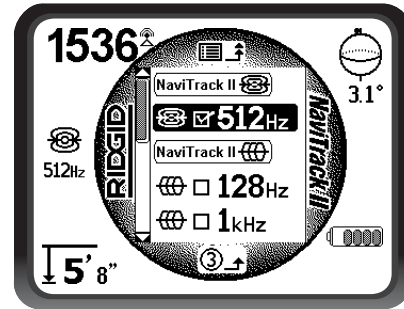


Figura 15 – Menú Principal

2. Con las flechas ascendente y descendente realce la frecuencia que desea. En la Figura 16 siguiente, el operario ha realizado la frecuencia de 128 Hz.

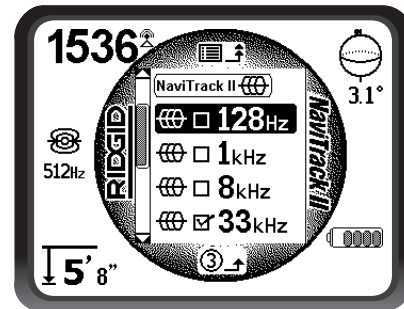


Figura 16 – Realce de la frecuencia deseada (128 Hz)

3. Oprima la tecla 'Selección' (en el centro de la figura siguiente) para marcar con un tic el cuadrado delante de cada frecuencia que se desee utilizar.

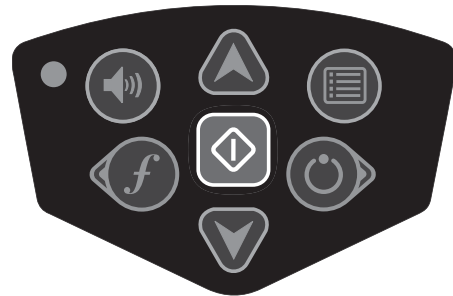


Figura 17 – Tecla 'Selección'

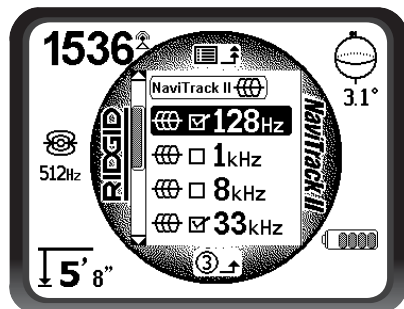


Figura 18 – Las frecuencias seleccionadas aparecen marcadas

- Las frecuencias seleccionadas muestran una marca o tic dentro del cuadrado delante de ellas. Las denominamos "Frecuencias Activadas con un tic".
- Oprima la tecla 'Menú' nuevamente para validar las selecciones y salir. La última frecuencia que se seleccionó será ahora la frecuencia "en uso".



Figura 19 – Tecla 'Menú'

El Menú Principal lista todas las frecuencias disponibles actualmente para ser activadas. Para agregar otras frecuencias al Menú Principal, *vea Control de la Selección de Frecuencias en la página 85.* (Los modelos del NaviTrack II para Europa incluyen una frecuencia de rastreo de conductos de 93 kHz. *Vea la Nota en página 85 sobre el empleo de esta frecuencia.*)

Sonidos del NaviTrack II

El nivel de un sonido varía según la proximidad al objetivo. Mientras más cerca se esté del objetivo, más agudo se hará el tono del sonido. Un tono que se agudiza indica un aumento de la intensidad de la señal.

En la Modalidad 'Sonda', si el nivel del sonido alcanza su punto más alto, procederá a bajar en la escala hasta un nivel medio y continuará emitiendo desde su nuevo punto de partida.

En la Modalidad 'Sonda', el sonido de chicharra irá escalando de tono a medida que la Sonda se aproxima. Cuando la Sonda se aleja, baja el tono y permanecerá así siempre que uno se esté alejando de la Sonda. Si uno vuelve a acercarse hacia la Sonda, el tono nuevamente comenzará a subir y a bajar a partir del nivel al que había llegado anteriormente. Es así como el operario puede darse cuenta si se está acercando o alejando de la Sonda.

En las Modalidades de Rastreo de Conductos, ya sea activados como pasivos, el sonido sigue una curva ascendente continua sin bajar en la escala.

Si prefiere, haga que el sonido se centre en un nivel medio (en cualquier modalidad) oprimiendo la tecla 'Selección' durante la localización.

Localización de Sondas

El NaviTrack II permite localizar la señal emitida por una Sonda (transmisor) que se encuentra dentro de una tubería enterrada, con el fin de establecer en la superficie su posición y trazado. Se puede introducir una sonda en un punto problemático de la tubería con la ayuda de una varilla o cable de empuje con cámara en su punta. También puede lanzarse una Sonda cañería abajo. Las Sondas a menudo se emplean para localizar tuberías y conductos no conductores.

¡IMPORTANTE! La intensidad de la señal es el factor principal para determinar la ubicación de una Sonda. Para asegurar una localización precisa, es imperativo obtener la máxima intensidad de señal antes de demarcar la zona de la excavación.

Se subentiende que la Sonda se encontrará dentro de una tubería tendida horizontalmente, el terreno estará más o menos nivelado, y que el mástil de la antena del NaviTrack II se sostendrá en posición vertical.

La forma del campo de una Sonda es diferente a la circular que se forma alrededor de un conducto largo como una tubería o cable. Se parece más al campo alrededor de la Tierra, con un Polo Norte y un Polo Sur.

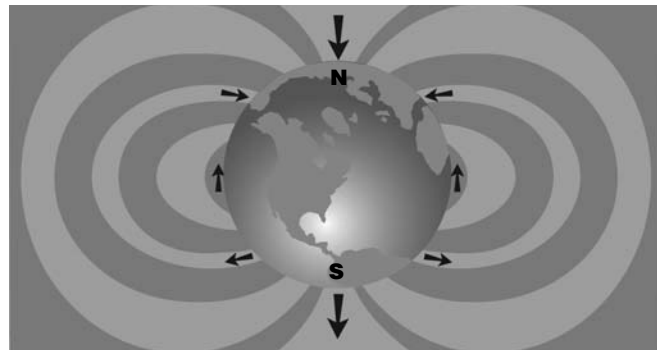


Figura 20 – Campo de dipolo de la Tierra

En el campo de una Sonda, el NaviTrack II detectará los puntos, en ambos costados, donde las líneas del campo se curvan hacia la vertical. El NaviTrack II marcará estos puntos con el ícono "polo" (⊕). También mostrará una línea en ángulo recto (90°) con respecto a la Sonda, centrada entre los Polos, llamada "ecuador"; semejante a la línea del Ecuador de la Tierra si el planeta se observa de costado.

Tenga en cuenta que las antenas omnidireccionales del NaviTrack II harán que la señal permanezca estable cualquiera sea la dirección en que se apunte la antena. Esto quiere decir que la señal se irá intensificando suavemente mientras la Sonda se acerca, y disminuirá suavemente al alejarse.

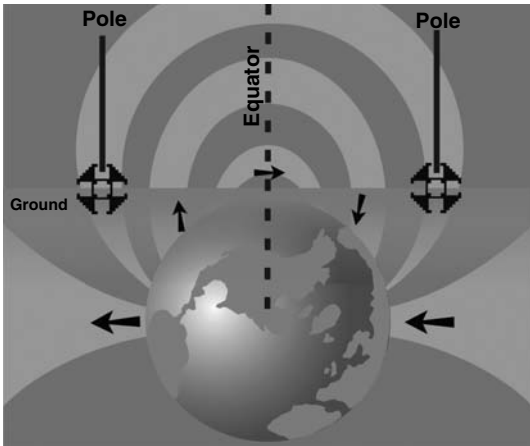


Figura 21 – Campo de dipolo de la Tierra vista de costado

Prepare la localización de una Sonda así:

Active la Sonda antes de introducirla en la tubería. Seleccione la misma frecuencia en el NaviTrack II y cerciórese de que está captando la señal.

Una vez que la Sonda se ha mandado por la tubería, diríjase al lugar donde podría encontrarse la Sonda. Si se desconoce el trazado de la tubería, para comenzar sólo meta la Sonda en la tubería unos 15 pies.

Métodos de localización

La localización de una Sonda tiene tres partes. El primer paso es localizar la sonda. El segundo es ubicar con exactitud. El tercero, verificar su posición.

Primer paso: localizar la sonda

- Sostenga el NaviTrack II con el mástil de la antena apuntando hacia fuera. Haga un barrido con el mástil en dirección al lugar donde usted sospecha que se encuentra la Sonda mientras observa la intensidad de la señal y escucha el sonido. La señal se intensificará cuando el mástil esté apuntando en dirección a la Sonda.
- Baje el NaviTrack II a su posición de funcionamiento normal (con el mástil de la antena en posición vertical) y camine en dirección a la Sonda. A medida que la antena se aproxima a la Sonda, la intensidad de la señal y el tono del audio irán en crescendo. Emplee la intensidad de la señal y el sonido para maximizar la señal.
- Maximice la intensidad de la señal. Cuando parece estar en su apogeo, coloque el NaviTrack II cerca del suelo justo encima del punto más alto de la señal. Procure sujetar el receptor constantemente a una misma altura del suelo, porque la distancia afecta la intensidad de la señal.

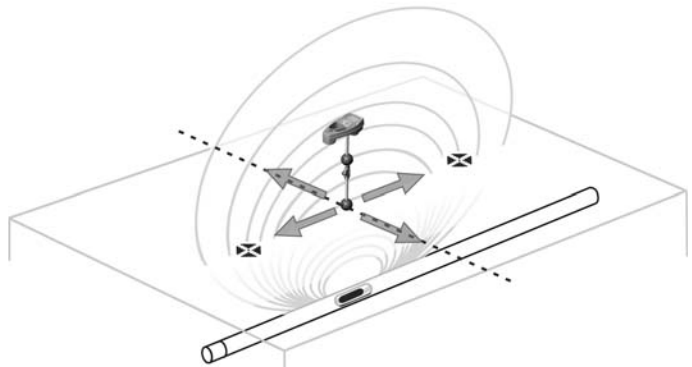
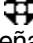


Figura 22 – Polos y Ecuador de una Sonda

Si mientras usted se acerca aparece el Ecuador en la pantalla, sígalo en la dirección a la creciente intensidad de la señal para así localizar la Sonda.

Si aparece un Polo antes que el Ecuador, localice la Sonda centrando el Polo en la cruceta.

Segundo paso: ubicar la Sonda con exactitud

Los polos  deben aparecer a ambos lados del punto de máxima señal, a igual distancia de cada lado si la Sonda se encuentra nivelada. Si no están visibles en la pantalla en el punto de máxima intensidad de señal, sálgase del punto máximo en forma perpendicular a la línea a rayas (Ecuador) hasta que aparezca un polo. Centre el localizador sobre este Polo.

El lugar donde ocurren los polos depende de la profundidad de la Sonda. Mientras más profunda la Sonda, más lejos de ella se situarán los Polos.

La línea a rayas representa el Ecuador de la Sonda. Si la Sonda no se encuentra inclinada, el Ecuador intersectará a la Sonda en el momento de máxima intensidad de la señal y mínima profundidad medida.

¡NOTA! Estar sobre el Ecuador no significa que el localizador se encuentra sobre la Sonda. Siempre verifique la localización maximizando la intensidad de la señal y marcando ambos Polos.

- Marque la localización del primer Polo con una ficha triangular roja. Tras centrarse en el Polo, aparecerá una línea doble. Esta línea representa a la Sonda bajo tierra y, en la mayoría de los casos, el trazado de la tubería.

- Cuando el localizador se aproxima a un Polo, aparecerá un círculo de zoom sobre el Polo, para permitir un centrado preciso.
- El segundo Polo se encontrará a una distancia similar de la Sonda, al otro costado. Localícelo de la misma forma que el anterior y márkelo con un triángulo rojo.
- Si la Sonda se encuentra nivelada, las tres fichas indicadoras deberían estar alineadas y ambas fichas rojas (polos) deberían estar a similar distancia del indicador amarillo (sonda). Si no es así, se podría estar en presencia de una Sonda inclinada. (Vea "Sonda inclinada" en la página 81.) Por lo general, la Sonda se encontrará en la línea entre los dos Polos, salvo que exista distorsión extrema en el lugar.

Tercer paso: verificar la localización

- Es imprescindible verificar la ubicación de la Sonda comparando la información del receptor y la de máxima intensidad de la señal. Aleje el NaviTrack II de la intensidad de señal máxima, para asegurarse de que la señal baja hacia todos los lados. Aléjese lo suficiente con el aparato hasta comprobar una caída importante en cada dirección.

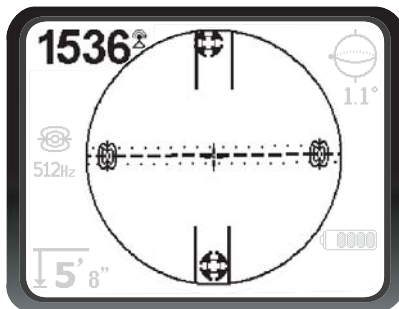


Figura 23 – Localización de Sonda: Ecuador

- Compare la ubicación de ambos Polos.
- Verifique que la lectura de la Profundidad Medida en el lugar de la máxima intensidad de la señal sea razonable y constante. Si pareciera demasiado profunda o muy poco profunda, vuelva a chequear si realmente existe una máxima intensidad de la señal en ese punto.
- Compruebe que los polos y el punto de máxima intensidad de la señal se encuentren en línea recta.

¡IMPORTANTE! Recuerde que el estar sobre el Ecuador no significa que se está sobre la Sonda. No crea que dos Polos alineados en la pantalla bastan. Esto no sustituye la necesidad de centrarse sobre cada Polo separadamente y marcar los puntos sobre la superficie como se describió anteriormente.

Si no logra ver los Polos, extienda la búsqueda.

Para mayor exactitud, emplee el nivel de burbujas. ¡El mástil DEBE sostenerse verticalmente cuando se marquen los Polos y el Ecuador, de lo contrario éstos no se localizarán con precisión!

No importa que usted primero localice los Polos y después, el Ecuador, o primero el Ecuador y luego los Polos. O un Polo primero, luego el Ecuador y finalmente el otro Polo. Hasta es posible localizar la Sonda empleando únicamente la intensidad de la señal, y después se verifica el resultado con los Polos y el Ecuador. Lo que importa es que usted verifique todos los puntos localizados y marque la posición de la Sonda donde la señal sea la más alta.

Sondas inclinadas

Si la sonda está inclinada, un Polo se acercará a la sonda y el otro se apartará de ella, de tal modo que la posición de la sonda no estará más a mitad de camino entre los dos polos. La intensidad de la señal del Polo más cercano se torna mucho más fuerte que la del Polo más distante si la Sonda está vertical (como podría suceder si ha caído en una rotura de la tubería). No obstante, todavía se la puede localizar.

Si la Sonda estuviera *vertical*, en pantalla se verá un solo Polo en el punto de la máxima Intensidad de Señal. (La Sonda Flotante de RIDGID fue diseñada para que se le vea un Polo solamente y lleva pesas para mantenerla "parada" en un eje vertical. Vea la Nota de más abajo.)

Es importante tener en cuenta que una Sonda extremadamente inclinada puede hacer que los Polos y el Ecuador aparezcan desviados debido al ángulo de la Sonda; aún así, la maximización de la intensidad de la señal servirá de guía para lograr una buena localización de la Sonda.

Sondas flotantes

Algunas Sondas están hechas para lanzarse cañería abajo o para ir "navegando" por una tubería empujadas por la corriente del agua. Debido a que estas sondas flotantes avanzan más libremente dentro de una tubería que una sonda en forma de torpedo, pueden ir orientadas hacia cualquier lado. Esto significa que, dependiendo de la inclinación, el Ecuador puede distorsionarse y la posición de los Polos podría variar. Para garantizar con absoluta certeza que se ha localizado una Sonda flotante, no queda otro recurso que maximizar la

intensidad de la señal y comprobar que la señal disminuye en todas direcciones al alejarse de este punto.

¡NOTA! Si la Sonda está en movimiento, podría resultar más fácil "la persecución" de un polo y luego precisar la posición de la Sonda, una vez que haya dejado de moverse.

Medición de la profundidad (Modalidad 'Sonda')

El NaviTrack II calcula la Profundidad Medida comparando la intensidad de la señal en la antena inferior con aquella en la antena superior. La Distancia Medida es aproximada; generalmente reflejará la profundidad física verdadera si el mástil se mantiene vertical y la antena inferior tocando el suelo directamente sobre la

fuente emisora de la señal. *Esto, suponiendo que no hay distorsiones presentes.*

1. Para medir profundidad, ponga el localizador en el suelo, directamente sobre la Sonda.
2. La Distancia Medida aparecerá en la esquina inferior izquierda de la pantalla del NaviTrack II.
3. Se puede forzar una lectura de Distancia Medida oprimiendo la tecla 'Selección' durante una localización.
4. La Distancia Medida será precisa solamente si la señal no se encuentra sufriendo distorsiones.

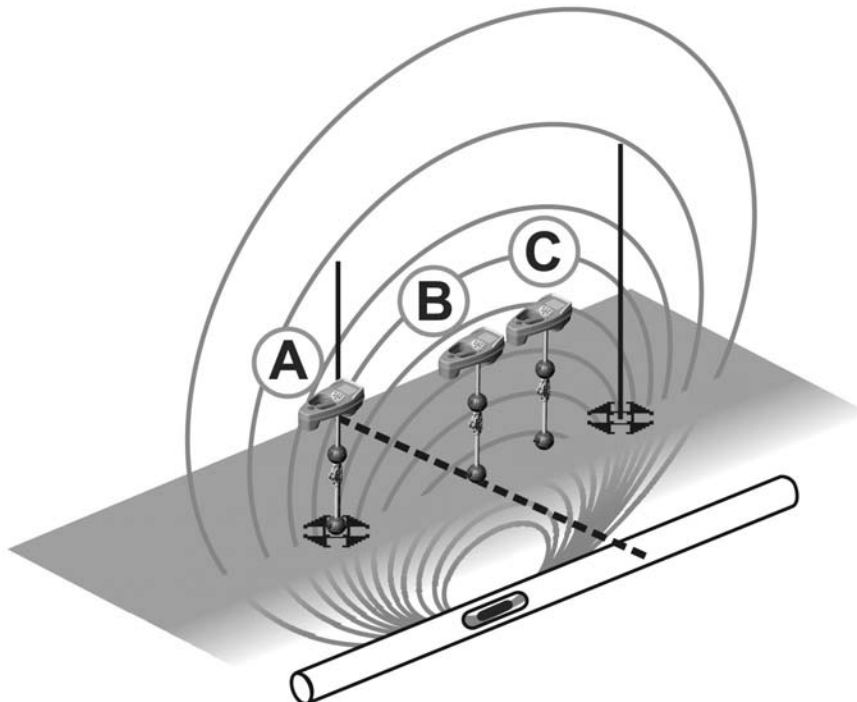
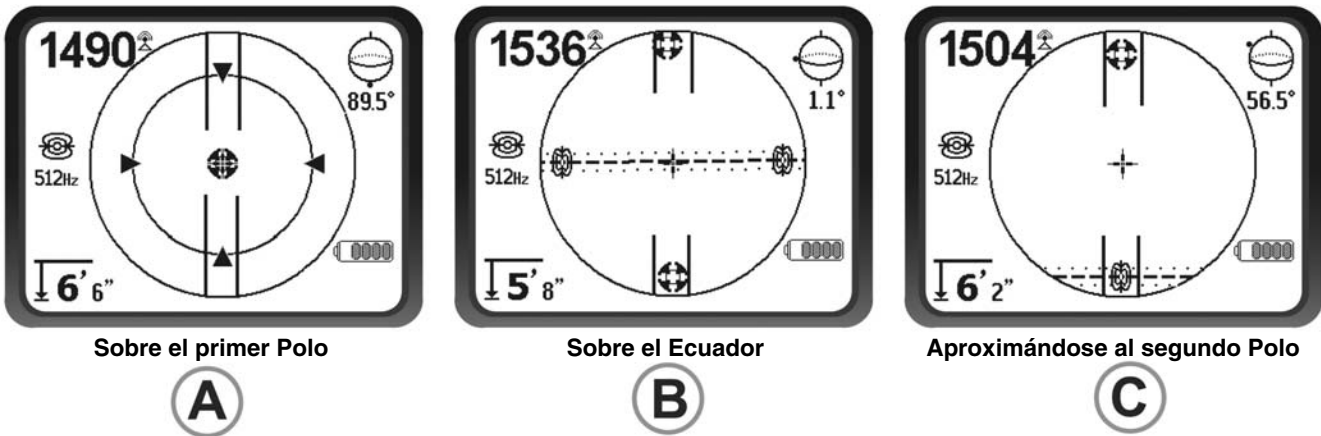


Figura 24 – Lo que aparece en pantalla cuando el NaviTrack II se sitúa en distintas posiciones (Sonda)

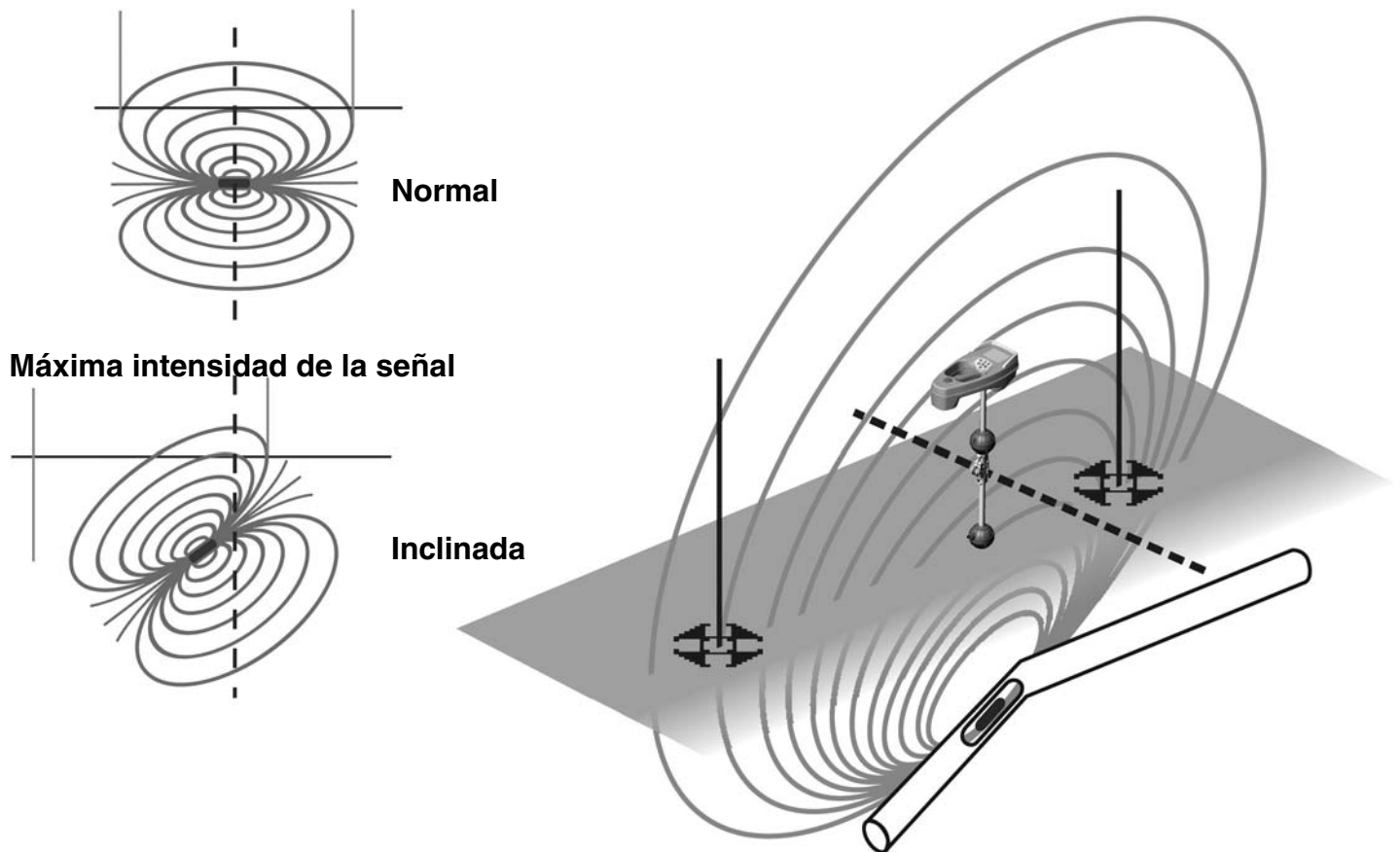



Figura 25 – Sonda inclinada, Polos y Ecuador

Note que el Polo de la derecha está más cerca del Ecuador debido a la inclinación.

Descrestamiento (Modalidad 'Sonda')

De vez en cuando la Intensidad de la Señal tendrá una fuerza tal que el receptor no podrá procesar la totalidad de la señal, condición que se conoce en inglés como "clipping", o descrestamiento. Cuando ocurre este fenómeno, en pantalla aparecerá este signo de advertencia . Advierte que la señal es particularmente poderosa.

¡NOTA! La visualización de la Distancia Medida no funciona en estas circunstancias.

Rastreo de conductos

Rastreo de conductos activados


El rastreo de conductos activados consiste en rastrear o localizar tuberías enterradas que han sido activadas con un transmisor. La señal que emita el transmisor podrá ser rastreada por el NaviTrack II. Un transmisor se diferencia de una Sonda por cuanto el transmisor se emplea para rastrear una tubería que sido excitada y no actúa como blanco u objetivo durante una localización, como lo hace la Sonda. Los transmisores excitan la tubería al conectarseles directamente a ella con clips, induciendo una

señal en forma directa empleando una pinza o induciendo una señal mediante bobinas de inducción incorporadas dentro del transmisor.

1. Excite la tubería según las instrucciones del fabricante. Seleccione la frecuencia del transmisor.

PELIGRO

Para evitar descargas eléctricas, conecte ambos extremos de los cables conductores del transmisor antes de encender el transmisor.

Ponga en el NaviTrack II la misma frecuencia que usa el transmisor. Asegure que en la pantalla aparezca el ícono de rastreo de conductos .

Oprima el botón de Menú para regresar a la pantalla operacional.

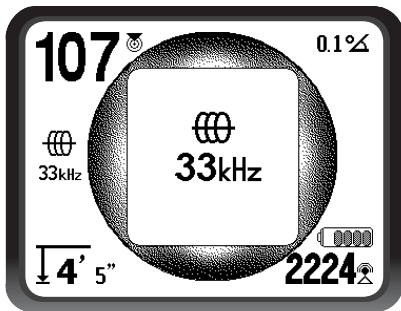


Figura 26 – Frecuencia para Rastrear Conductos seleccionada con la tecla 'Frecuencias'

(Este display pestañeará brevemente cuando se selecciona una nueva frecuencia)

2. Observe la Señal de Proximidad y la Intensidad de la Señal para asegurar que el NaviTrack II se encuentra captando la señal. (Vea la Figura 27 siguiente). La señal debe alcanzar su nivel más alto sobre la línea y disminuir a cada lado. El Indicador del Ángulo de la Señal indicará casi 0° cuando el NaviTrack II esté justo sobre la línea.

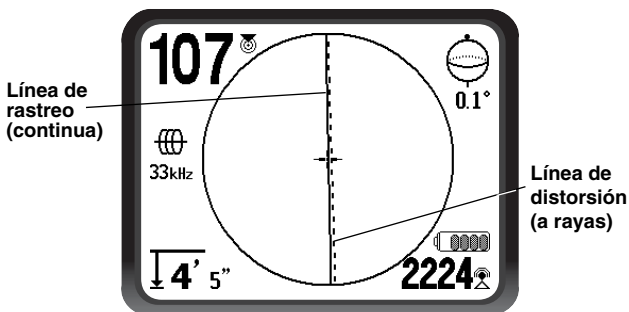


Figura 27 – Muestra de una probable localización

3. Durante el rastreo, la dirección de la tubería o cable se mostrará en pantalla con dos líneas, una continua y otra a rayas. La línea continua (línea de rastreo) representa lo que capta el nódulo de la antena inferior; la línea a rayas (línea de distorsión) es la señal que capta la antena superior. (Vea la Figura 27.)
4. La línea de Rastreo cumple tres funciones. Representa la posición y la dirección que lleva la señal que se está rastreando. Describe los cambios en el rumbo del conducto de servicio público que se estudia; por ejemplo, muestra las curvas y vueltas que da el conducto. Y ayuda a reconocer distorsiones en la señal cuando se la compara con la línea a rayas. Si algo está interfiriendo la señal y distorsionando su forma, la línea discontinua o a rayas podría estar considerablemente desviada.
5. Emplee el Número de Proximidad, la Intensidad de la Señal y las líneas de Rastreo y Distorsión para guiar el rastreo de un conducto. Características diferenciadas de la señal generan estas tres piezas infor-

mativas, las que ayudan al operario a discernir si la localización es fiable. Una señal sin distorsiones, que está siendo emitida por un conducto, alcanza fuerza máxima cuando se encuentra justo sobre el conducto. Si se maximiza la señal de Proximidad y se centran las líneas de Rastreo y de Distorsión en la pantalla, se puede decir que la localización es bastante confiable. Observe si la lectura de Profundidad Medida es estable y razonable, para confirmar la localización.

Pruebe si las lecturas de la Profundidad Medida son consistentes: alce el NaviTrack II, digamos unas 12 pulgadas exactamente, y observe si el indicador de Profundidad Medida muestra igual incremento. Una pequeña variación es aceptable, pero si la Profundidad Medida no cambia, o cambia drásticamente, debe sospecharse la presencia de un campo "distorsionado" o una señal de muy poca fuerza sobre el conducto. Como siempre, la única manera de estar completamente seguro de la posición o trayectoria de un conducto de servicio público es teniéndolo a la vista.

¡NOTA! La exactitud de la posición y las mediciones de Profundidad van mejorando a medida que el nódulo inferior de la antena se va acercando más y más al conducto-objetivo. Se evitan daños a los conductos durante una excavación si periódicamente se van chequeando la Profundidad Medida y la posición. Asimismo, es posible que durante este proceso se capten otras señales provenientes de conductos enterrados que no habían sido detectados antes de la excavación.

▲ ADVERTENCIA

Es necesario observar con atención si pudieran haber interferencias de señal que entregan lecturas erróneas. La línea de Rastreo describirá fielmente la posición de un conducto enterrado sólo si el campo no tiene distorsiones. Jamás base una localización exclusivamente en la línea de Rastreo.

Siempre verifique una localización cerciorándose de que:

- las líneas de Rastreo y de Distorsión están casi alineadas.
- la señal de Proximidad y la Intensidad de la Señal alcanzan su máximo cuando la línea de Rastreo cruza el centro del mapa.
- la Distancia Medida aumenta en exactamente la distancia que usted alza verticalmente el NaviTrack II y que las líneas de Rastreo y de Distorsión permanecen alineadas.

Las lecturas de Distancia Medida deben considerarse como cálculos aproximados. La verdadera profundidad a la cual se encuentra un conducto debe verificarse independientemente haciendo, antes de cavar, una perforación.

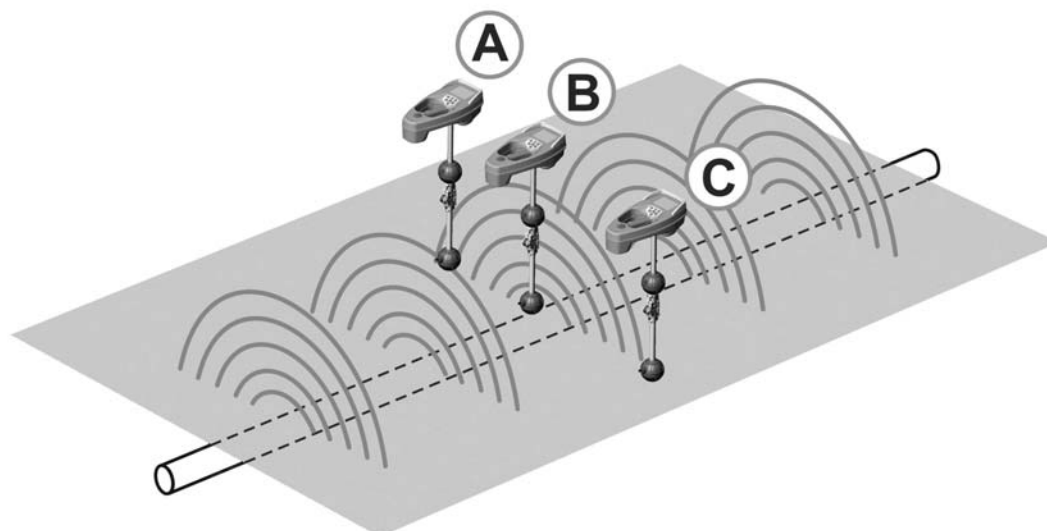
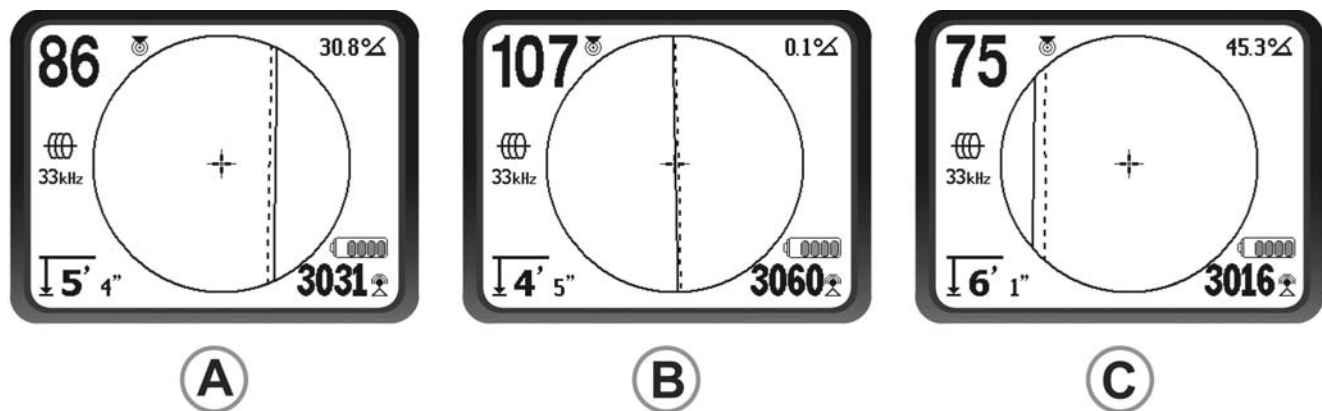


Figura 28 – Lo que aparece en pantalla cuando el NaviTrack II se sitúa en distintas posiciones (Rastreo de Conductos Activados)

Nota sobre el empleo de Frecuencia de 93 kHz

¡NOTA! El modelo europeo del NaviTrack II ofrece una frecuencia adicional de 93 kHz para el Rastreo de Conductos.

La frecuencia predeterminada de 93 kHz tiene 93.696 ciclos por segundo.

Algunos transmisores antiguos emplean una frecuencia nominal de 93 kHz con 93.622,9 ciclos por segundo.

Si usted se encuentra con que la señal de su transmisor en 93 kHz no está siendo captada por el NaviTrack II, coloque la frecuencia del localizador en 93-B kHz, especial para los modelos más antiguos. Tanto la frecuencia 93 como la 93-B se encuentran bajo la categoría Rastreo de Conductos en el submenú de Selección de Frecuencias.

Rastreo de Conductos Pasivos

Cuando en la modalidad 'Rastreo Pasivo', el NaviTrack II capta campos generados por cables por los que pasa corriente alterna (CA), sin la necesidad de acoplar un transmisor. En general, los cables de energía eléctrica enterrados no emiten señales susceptibles de rastrear, salvo que por ellos esté fluyendo corriente eléctrica. Es así como los cables del alumbrado público son difíciles de rastrear pasivamente cuando los faroles de las calles están apagados. Por acoplamiento (ya sea por inducción o por capacitancia), todos los cables metálicos de una zona pueden ser excitados pasivamente. Por esto, es posible localizar cables pasivamente pero se hace difícil distinguir cuál es el cable exacto que el operario se encuentra rastreando.

1. Seleccione una frecuencia de Rastreo Pasivo de CA con el ícono de rastreo de conducto pasivo

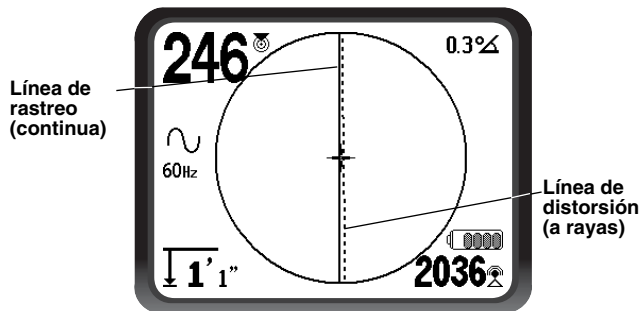


Figura 29 – Frecuencia de rastreo pasivo de 60 Hz

- El NaviTrack II cuenta con dos frecuencias de rastreo pasivo de CA: 50 Hz y 60 Hz. Ambas frecuencias están reguladas para responder a la novena armónica de las frecuencias de CA usadas comúnmente. Las instalaciones eléctricas de los Estados Unidos son de 60 Hz, mientras las europeas generalmente son de 50 Hz.

Es importante recordar cuando se rastrean conductos que las conexiones en "T", las curvas, otros conductores en las inmediaciones y un conjunto masivo de objetos metálicos pueden agregar distorsiones al campo exigiendo un análisis más riguroso de los datos para determinar la trayectoria del objetivo. Estas distorsiones constituyen un desafío mayor cuando se rastrea pasivamente.

Para mayor exactitud, siempre que sea posible emplee el método Rastreo de Conductos Activados directamente.

▲ ADVERTENCIA

En el Rastreo de Conductos Pasivos, o cuando las señales son extremadamente débiles, la Profundidad Medida generalmente se leerá demasiado PROFUNDA en circunstancias que el conducto yace a una profundidad mucho menor.

Consejos prácticos para el rastreo de conductos activados o pasivos

- El NaviTrack II enseguida reconoce campos distorsionados. Si las líneas no están centradas en el mapa, a pesar de que la señal de Proximidad y la Intensidad de la Señal se hallan maximizadas, las distorsiones se encuentran generando un campo no-circular complejo. Para mejorar el circuito de rastreo:
 - Trate de cambiar la frecuencia en uso por una más baja.
 - Mueva la estaca de tierra a otro lugar más lejos del conducto que se rastrea.
 - Asegure que el conducto no se encuentre de manera ordinaria enlazado a otro conducto de servicio público. Sepárelos sólo si no hay peligro en hacerlo.
 - Mueva el transmisor hacia otro punto en el conducto, si es posible.

- Si las líneas de rastreo no se centran o si bailan por la pantalla en forma errática, es posible que el NaviTrack II no esté recibiendo una señal clara. Bajo estas condiciones, también puede ser que la Profundidad Medida y la señal de Proximidad estén inestables.

- Revise el transmisor para asegurar que funciona bien y que está correctamente conectado a tierra.
- Pruebe el circuito apuntando la antena inferior hacia cualquiera de los dos cables del transmisor.
- Verifique que tanto el NaviTrack como el transmisor estén operando en la misma frecuencia.
- Ensaye con diferentes frecuencias, comenzando por la más baja, hasta que la señal proveniente del conducto pueda captarse en forma confiable.
- Emplace la conexión a tierra en otro lugar para tratar de obtener un mejor circuito. Asegure que la estaca a tierra esté lo suficientemente enterrada en el suelo (mayor superficie de contacto), especialmente en terrenos muy secos. Si la tierra alrededor de la estaca está seca, mójela para mejorar la señal.

- Otra manera de detectar la presencia de señales distorsionadas consiste en emplear el Indicador del Ángulo de la Señal. Traslade el NaviTrack II perpendicularmente hacia ambos lados de la línea de rastreo hasta que el Indicador del Ángulo de la Señal indique 45 grados. Asegure que el nódulo de la antena inferior permanezca a una misma altura y que el localizador está nivelado. Si hay poca distorsión o nada la línea de rastreo debe encontrarse en el medio y la distancia hasta cada punto sobre el vértice de los ángulos de 45° debería ser, a ambos lados, aproximadamente la misma.

Otra técnica parecida es moverse la misma distancia hacia la derecha y hacia la izquierda de la línea de rastreo, tal vez unas 24 pulgadas (60 cms.), y chequear que las lecturas de la intensidad de señal sean parecidas.

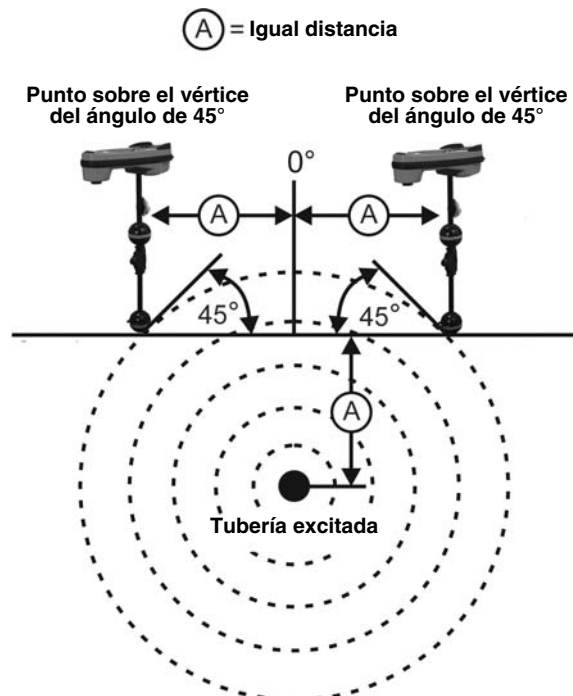


Figura 30 – Cómo detectar la presencia de distorsiones

- Mientras se rastrea, la señal de Proximidad y la Intensidad de la Señal deben maximizarse, y la Profundidad Medida debe minimizarse en el mismo lugar donde las líneas se centran en el visualizador. Si no es así, el conducto de servicio público podría estar cambiando de dirección u otras señales se están acoplando a la actual.
- Las frecuencias más altas drenan hacia los conductos de servicios públicos adyacentes con mayor facilidad, pero podrían necesitarse para lograr saltar rupturas en cables trazadores o pasar por sobre conectores de material aislante. Si el conducto no está conectado a tierra en el extremo lejano, es muy probable que altas frecuencias sean las únicas capaces de hallarlo. (Vea la página 96.)
- Cuando se use el transmisor inductivamente, comience la localización unos 30 pies (10 metros) más lejos para evitar "acoplamiento directo", también llamados "acoplamiento aéreo". Ocurren cuando el NaviTrack II capta la señal que emite el transmisor directamente a través del aire y no del conducto que se está rastreando. Para detectar acoplamiento aéreo, apunte el NaviTrack II directamente hacia el transmisor; si la intensidad de la señal aumenta, podría ser que el transmisor se encuentra demasiado cerca del receptor para lograr un rastreo preciso.

iNOTA! Mientras más débil la señal acoplada de forma inductiva generada por el conductor, mayor será la distancia del acoplamiento aéreo.

En la modalidad 'Rastreo de Conductos', el display de mapas en la pantalla funciona óptimamente si existen las siguientes condiciones:

- El conducto se encuentra nivelado.
- El localizador NaviTrack II se encuentra en la superficie sobre el objetivo
- El mástil de la antena del NaviTrack está siendo sostenido verticalmente.

Si estas condiciones no se cumplen, procure maximizar la señal de Proximidad y la intensidad de la señal.

En general, si se usa el NaviTrack II en una zona sobre el conducto-objetivo dentro de un área de barrido de igual a unas dos "profundidades" de la fuente emisora de la señal, el mapa será útil y preciso. Tenga esto último en mente cuando emplee el mapa si el conducto objetivo está ubicado a poca profundidad. El ancho del área útil de búsqueda puede resultar pequeño en el mapa si el conducto se encuentra enterrado a muy poca profundidad.

Medición de la profundidad (Modalidades de Rastreo de Conductos)

El NaviTrack II calcula la Profundidad Medida comparando la intensidad de la señal en la antena inferior con aquella en la antena superior.


La Profundidad Medida es aproximada; reflejará la profundidad física cuando el mástil se mantiene vertical y la antena inferior tocando el suelo directamente sobre la fuente emisora de la señal. Esto, suponiendo que no hay distorsiones presentes.

1. Para medir profundidad, ponga el localizador en el suelo, directamente sobre el conducto-objetivo.
2. La Profundidad Medida aparecerá en la esquina inferior izquierda de la pantalla del NaviTrack II.
3. Se puede forzar una lectura de Profundidad Medida oprimiendo la tecla 'Selección' durante una localización.
4. La Profundidad Medida será precisa solamente si la señal no se encuentra sufriendo distorsiones.

iNOTA! En las modalidades de Rastreo de Conductos Activados o de Conductos Pasivos, se fuerza una lectura de Profundidad oprimiendo la tecla 'Selección'. Si el sonido está prendido, también re-centrará el tono del audio.

Descrestamiento (modalidades de Rastreo)

De vez en cuando la Intensidad de la Señal tendrá una fuerza tal que el receptor no podrá procesar la totalidad de la señal, condición que se conoce como descrestamiento, en inglés, "clipping". Cuando ocurre este fenómeno, apa-

recerá en pantalla este signo de advertencia . Advierte que la señal es particularmente poderosa y no es posible hacer mediciones de profundidad precisas. Si el descrestamiento persiste, subsánelo aumentando la distancia entre las antenas y el conducto-objetivo O disminuyendo la potencia de la corriente en el transmisor. **Note que el display de Profundidad Medida no funciona bajo condiciones de descrestamiento.**

Menús y posiciones

Al oprimir la tecla 'Menús' el operario tiene frente a sí una variedad de opciones para configurar el NaviTrack II (vea la Figura 31). Lo primero que aparecerá al abrirse la lista del Menú es la frecuencia actualmente en uso.

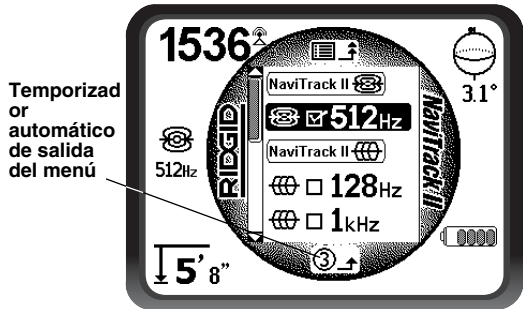











Figura 31 – Menú Principal

El Menú Principal presenta lo siguientes elementos en este orden:

-  **Frecuencias seleccionadas para Modalidad 'Sonda'** (activadas e inactivas)
-  **Frecuencias seleccionadas para Rastreo de Conductos Activados** (activadas e inactivas)
-  **Frecuencias seleccionadas para Rastreo de Conductos Pasivos** (activadas e inactivas)
-  **Selección de unidades de medición de la Profundidad**
-  **Control del alumbrado de fondo**
-  **Control del contraste de la pantalla**
-  **Control de los Elementos en el display** (aparecerán los submenús cuando se los seleccione para las modalidades Sonda y Rastreo de Conductos)
-  **Control para la selección de Frecuencias** (aparecerán los submenús cuando se los seleccione para escoger entre categorías de frecuencias)
-  **Menú de informaciones** muestra la versión de software en uso y el número de serie del aparato (el submenú para restaurar las regulaciones predeter-

minadas de fábrica aparecerán en esta pantalla de informaciones)

El listado completo de Menús figura en la página 92.

Temporizador automático de salida del menú

Al navegar por el árbol de menús usted notará un temporizador en la parte inferior de la pantalla que va contando de manera regresiva. Cuando llega a cero, automáticamente sube al nivel siguiente del árbol de menús hasta que retorna a la pantalla operacional. El temporizador vuelve al número nueve cada vez que usted oprime una tecla y cada vez que se sube de nivel en el menú.

Frecuencias seleccionadas para Sonda

Las frecuencias de Sonda que han sido seleccionadas a partir de la lista de las que actualmente se encuentran operacionales tienen un cuadradito a la izquierda del número. Si el cuadradito se marca con un tic en su interior, la frecuencia se activa y queda lista para usarse por medio de la tecla 'Frecuencias'. Las frecuencias se activan y desactivan al realizarlas y seleccionarlas oprimiendo la tecla 'Selección'. Para volver a la pantalla operacional, oprima la tecla 'Menús'.

Frecuencias posiblemente incluidas:

16 Hz	512 Hz*	640 Hz
850 Hz	8 kHz	16 kHz
33 kHz		

(*Seleccionadas de fábrica)

(Vea "Control de la Selección de Frecuencias" en la página 91 para agregarle frecuencias que no aparecen en el Menú Principal porque no han sido seleccionadas.)

Frecuencias seleccionadas para el Rastreo de Conductos Activados

Al igual que las Frecuencias de Sonda, estas frecuencias estarán con o sin tic dentro del cuadradito de la izquierda y deben ser activadas a su gusto.

Frecuencias posiblemente incluidas:

128 Hz*	1 kHz*	8 kHz*
33 kHz*	65 kHz	200 kHz
262 kHz*		

(*Seleccionadas de fábrica)

Frecuencias seleccionadas para el Rastreo de Conductos Pasivos

Al igual que las otras frecuencias, figurarán con o sin tic y debe activarlas a su gusto.

Frecuencias posiblemente incluidas:

50 Hz 60 Hz*

(*Seleccionadas de fábrica)

Unidades de medición de la Profundidad

El NaviTrack II puede expresar la Profundidad Medida en pies o en metros. Las medidas inglesas pueden leerse en pies y pulgadas; las del sistema métrico, en decimales. Para cambiar de sistema, realce su preferencia en el menú y oprima la tecla 'Selección' (Figura 32). Emplee la tecla 'Menú' para almacenar su selección y salga de la pantalla.

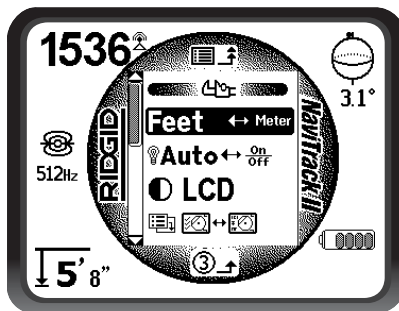


Figura 32 – Selección entre medidas inglesas o métricas

Control del alumbrado de fondo

Un sensor de luz incorporado en la esquina superior izquierda del teclado detecta si el nivel de luz se encuentra bajo (vea la página X). Se fuerza el encendido del alumbrado de fondo de la pantalla bloqueando la luz que capta el detector.

El alumbrado de fondo ha sido fijado de fábrica para encenderse automáticamente sólo en ambientes de muy poca luz, con el fin de conservar la carga de las pilas.

También es posible mantener el alumbrado de fondo apagado permanentemente. Realce el ícono de bombilla en la sección Herramientas (Tools) del Menú y presione la tecla 'Selección' para elegir entre encendido automático (Auto), siempre encendido (ON) o siempre apagado (OFF).

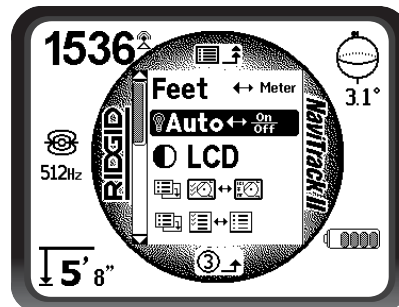


Figura 33 – Selección de la modalidad operacional del alumbrado de fondo (On/Off/Auto)

Control del contraste de la pantalla

Para regular el contraste de la pantalla de cristal líquido oprima la tecla 'Selección' (Figura 34). Emplee las teclas con flechas para aclarar u oscurecerla (Figura 35). Las temperaturas extremas harán que la pantalla de cristal líquido aparezca oscura (al calor) o clara (al frío). Se hará difícil ver la pantalla si el contraste se regula a muy oscuro o muy claro.

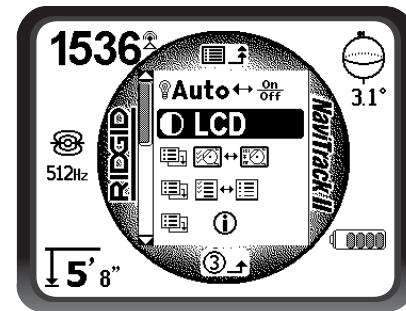


Figura 34 – Opciones de contraste

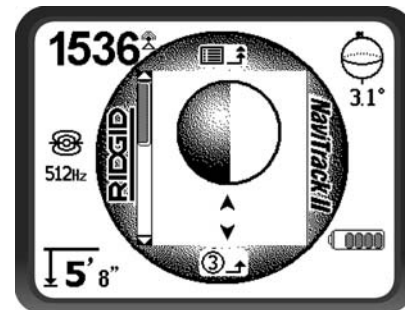


Figura 35 – Aumento y disminución del contraste

Emplee la tecla 'Menú' para almacenar la selección y salga. También puede guardar la selección y salir de este menú oprimiendo la tecla 'Selección'.

Menú para el Control de los Elementos en el display

Este ícono que muestra dos pequeñas pantallas se usa para traer a la pantalla el Menú de Control de los Elementos en el display, cuando se está en las modalidades de Rastreo (📶) o de Sonda (📍) (Figuras 36 y 37). Con este control se cambian los elementos que se desea usar. El NaviTrack II viene de fábrica con algunos elementos opcionales apagados (en OFF) para facilitar el uso inicial del aparato. Para activar o desactivar un elemento, oprima las teclas con flecha para realzar la selección. Luego emplee la tecla 'Selección' para hacerle un tic o sacar el tic de dentro de los cuadraditos. Los elementos marcados con un tic son los activados. Usted decide con cuales elementos desea trabajar, dependiendo de sus preferencias personales y del tipo de localización que lleva a cabo.

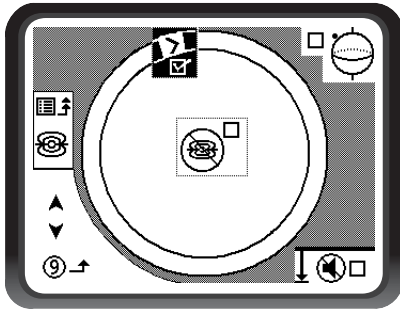


Figura 36 – Elementos en la pantalla (Modalidad 'Sonda')

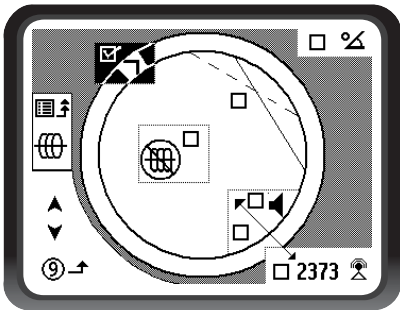


Figura 37 – Elementos en la pantalla (Modalidades de Rastreo de Conductos)

Características opcionales dentro del Menú de Elementos en el display

Traiga el árbol de Menús a la pantalla con la tecla 'Menús'. Seleccione el Menú para el Control de los Elementos en pantalla. Luego seleccione la modalidad: Rastreo o Sonda.

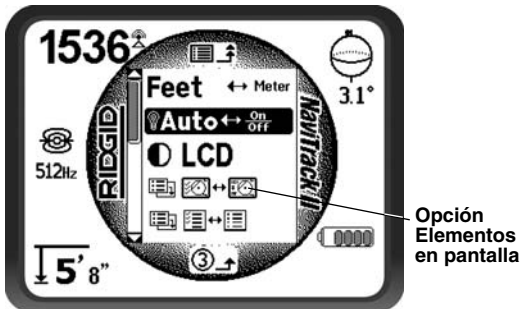


Figura 38 – Menú Principal

Las características opcionales para la Modalidad 'Sonda' son:

🏁 **"Pista de carreras" y "Marcador de agua"**
 La Pista de carreras es un circuito circular alrededor del centro de la Zona de Actividad en la pantalla. El Marcador de agua aparece en el anillo de circunvalación del display, corriendo por la Pista de carreras. El Marcador de agua es una representación gráfica de la máxima Intensidad de Señal lograda en la Modalidad 'Sonda' o del nivel máximo de la señal de Proximidad alcanzado en las modalidades de Rastreo de Conductos. El Marcador de agua va siendo perseguido por un Puntero ▶ que muestra la

Intensidad de la Señal del momento. (Vea la Figura 39). Si el Puntero se adelanta, el Marcador de agua se adelantará también para así mostrar gráficamente el clímax más reciente alcanzado por la señal. El Marcador de agua, al igual que la marca del nivel máximo de agua en una tina de baño, muestra el nivel máximo alcanzado. Esta es una herramienta gráfica adicional para visualizar la señal máxima. Pista de carreras y Marcador de agua constituyen una opción que viene desactivada pero que puede ser puesta en funciones en el Menú de Elementos en el display.

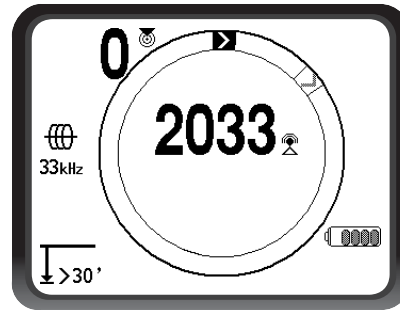


Figura 39 – Pista de carreras con Marcador de agua y Puntero

🚫 No hay señal

Cuando el NaviTrack II no está recibiendo una señal significativa en la frecuencia seleccionada, mostrará el símbolo de la modalidad en uso atravesado diagonalmente por una raya (Figura 40). Esta característica evita confusiones al tratar de interpretar algún ruido aleatorio cuando no hay una señal.

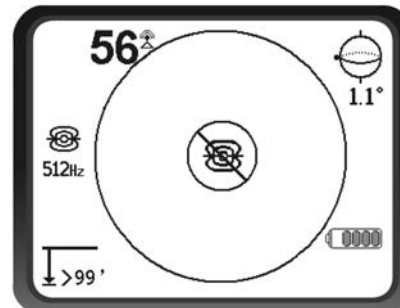


Figura 40 – Display de "No hay señal" en Modalidad 'Sonda'

↙ **Al activar esta opción en el Menú de Selección,** se fuerza a que el número que representa la intensidad de la señal aparezca en el centro de la pantalla en cualquier momento que no haya una señal de Proximidad disponible (Figura 41). Esto podría ocurrir cuando la señal es débil. Si la señal de Proximidad vuelve, el número de intensidad de señal regresa a su sitio habitual en la esquina inferior derecha de la pantalla. (Sólo en Rastreo de Conductos)

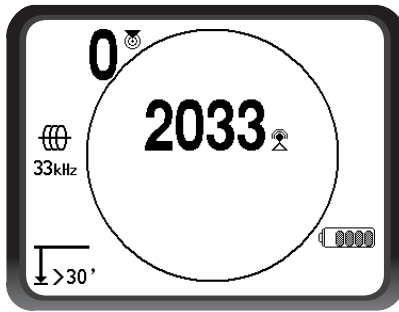


Figura 41 – Intensidad de la señal aparece centrada en la pantalla

🔇 Apagamiento del sonido

Con esta opción se habilita el apagamiento automático del sonido cuando la Profundidad Medida sobrepasa los 99 pies. Si la opción no tiene la marca o tic delante, el sonido no enmudecerá automáticamente. (Sólo Modalidad 'Sonda')

🔊 Sonido

Cuando se le activa con un tic, el sonido quedará ligado la intensidad de señal cuando no se disponga de una señal de Proximidad. (Modalidades de Rastreo solamente)

📄➡📄 Control para la selección de Frecuencias

Se pueden activar más frecuencias para agregarlas a la lista en el Menú Principal de frecuencias activadas. Ingrese al submenú de Selección de Frecuencias y seleccione la modalidad deseada (Figura 43). Las frecuencias que tengan un tic frente a ellas ya se encuentran disponibles, es decir, ya han sido seleccionadas para aparecer en el Menú Principal. Ahora, desde el Menú Principal se las puede activar con un tic en frente para que estén accesibles mediante la tecla 'Frecuencias'.

Para seleccionar frecuencias adicionales, baje al submenú de Selección de Frecuencias 📄➡📄 y realce la categoría donde se encuentra la frecuencia deseada (Figura 42).

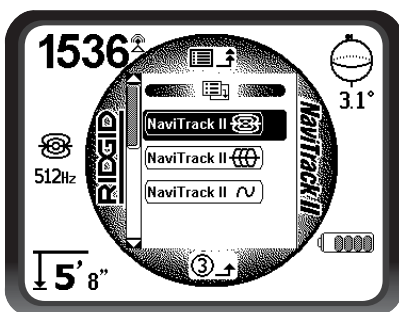


Figura 42 – Selección de una categoría de frecuencias

Luego emplee las teclas con flecha para revisar las frecuencias disponibles. Realce la frecuencia que desea para agregarla a la lista de Frecuencias Activadas (Figura 43).

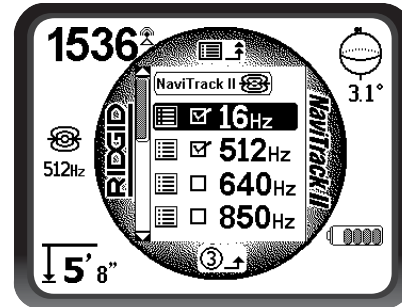


Figura 43 – Realce de una frecuencia para ingresarla al Menú Principal

Emplee la tecla 'Selección' para hacerle un tic a la frecuencia escogida y así quedará incluida en el Menú Principal. Una vez ingresada al Menú Principal se la activa con un tic y puede comenzar a usársela oprimiendo la tecla 'Selección'.

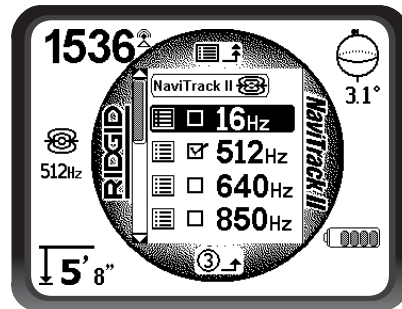


Figura 44 – Selección de una frecuencia para activarla

Para acceder a una frecuencia "disponible actualmente" que aún no ha sido activada con un tic, oprima la tecla 'Menús' 📄 y recorra la lista hasta la frecuencia deseada. Si no se encuentra con un tic delante de ella, oprima la tecla 'Selección' para marcar el cuadradito correspondiente con un tic. El estado de la frecuencia es ahora "activada con un tic". Oprima la tecla 'Menús' para regresar al display operacional, el cual ahora estará regulado a la frecuencia recién activada. El NaviTrack II mostrará la frecuencia escogida y su ícono al lado izquierdo de la pantalla para indicar que ésta es la frecuencia "en uso".

Las frecuencias activadas con un tic pueden cambiarse con la tecla 'Frecuencias' mientras el NaviTrack II se encuentra funcionando. Con la tecla 'Frecuencias' el aparato recorrerá el conjunto de frecuencias activadas de menor a mayor, grupo por grupo, y volverá a comenzar. Cuando se le quita el tic a una frecuencia en el Menú Principal, se la desactiva, y en el futuro no aparecerá al oprimirse la tecla 'Frecuencias'.

¡NOTA! Si una frecuencia parece haberse extraviado, vea si se encuentra en la lista del Menú Principal. Si está allí pero aparece sin un tic delante, déle categoría de activada realzándola y luego oprima la tecla 'Selección'. Si no la encuentra en la lista, vaya al menú de Selección de Frecuencias y a la subcategoría correcta y selecciónela allí. Póngale un tic en el cuadradito para transformarla en activa en la lista del Menú Principal. Asegure que está marcada con un tic en ambos niveles de menú para que aparezca dentro del conjunto de frecuencias habilitadas.

i Pantalla de informaciones y restauración de elementos predeterminados

Pantalla de informaciones

La pantalla de informaciones aparece al final del Menú Principal. Realce el icono de Informaciones y oprima la tecla 'Selección' para obtener información acerca del localizador, la versión de software que ocupa, su número de serie y la fecha en que fue calibrado.

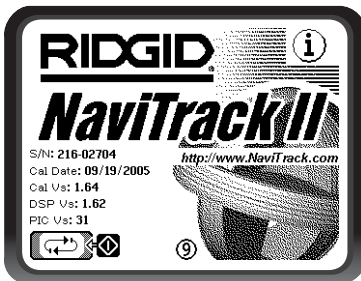


Figura 45 – Pantalla de informaciones sobre el NaviTrack II

Restauración de los elementos predeterminados

Presione la tecla 'Selección' por segunda vez para que aparezca la opción Restauración de los elementos predeterminados.



Figura 46 – Selección de los elementos predeterminados de fábrica

Esta opción se habilita haciéndole un tic (✓) dentro del cuadrado. Si se escoge la opción "X", no habrá cambios en las regulaciones vigentes.

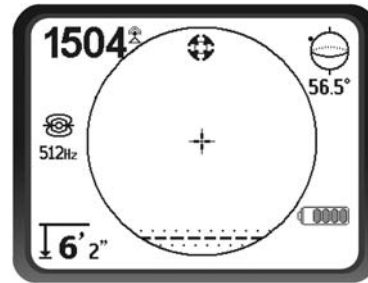


Figura 47 – Elementos predeterminados de fábrica han sido restaurados (Modalidad 'Sonda')

Si oprime la tecla 'Menús' sin hacer cambios dentro de ninguno de los dos rectángulos, saldrá de esta pantalla y las cosas permanecerán como estaban.

Árbol de Menús

El siguiente gráfico muestra las opciones y controles incorporados en los menús del NaviTrack II. Oprima la tecla 'Menús' en la ventana que se encuentre abierta para mover el display hasta la parte superior del Árbol de Menús. Recorra las opciones con las teclas de flecha. Al oprimir la tecla 'Selección' cuando cualquiera opción se encuentra realzada, traerá el submenú correspondiente a la pantalla. Ya dentro de un submenú, oprima la tecla 'Menú' para subir un nivel. A los cuadrados de activación se les pone o saca un tic con la tecla 'Selección'.

Frecuencias activadas	
<input type="checkbox"/>	Frecuencias seleccionadas Sonda
<input type="checkbox"/>	Frecuencias seleccionadas para Rastreo de Conductos Activados
<input type="checkbox"/>	Frecuencias seleccionadas para Rastreo de Conductos Pasivos
Unidades de medición	
<input type="checkbox"/>	Pies o metros
Opciones para el alumbrado de fondo de la pantalla	
<input type="checkbox"/>	On/Off/Auto (encendido, apagado, automático)
Contraste de la pantalla	
<input type="checkbox"/>	Aumentar/Disminuir
Selección de Elementos en el display (activar o desactivar con un tic)	
<input type="checkbox"/>	Modalidad 'Rastreo' <input type="checkbox"/>
<input type="checkbox"/>	Modalidad 'Sonda' <input type="checkbox"/>
<input type="checkbox"/>	Marcador de agua
<input type="checkbox"/>	Indicador de "No hay señal"
<input type="checkbox"/>	Señales sonoras
<input type="checkbox"/>	Intensidad de señal al centro de la pantalla*
<input type="checkbox"/>	Intensidad de la señal
<input type="checkbox"/>	Indicador del ángulo
<input type="checkbox"/>	Apagamiento del sonido >99 pies
<input type="checkbox"/>	Líneas de rastreo*
	*= display en Rastreo de Conductos solamente
Selección de Frecuencias (activar o desactivar con un tic)	
<input type="checkbox"/>	Sonda <input type="checkbox"/>
	16 Hz, 512 Hz, 640 Hz, 850 Hz, 8kHz 16 kHz, 33 kHz
<input type="checkbox"/>	Rastreo de conductos <input type="checkbox"/>
	activados <input type="checkbox"/>
	128 Hz, 1 kHz, 8 kHz, 33 kHz, 200 kHz, 262 kHz
<input type="checkbox"/>	Rastreo de conductos <input type="checkbox"/>
	pasivos <input type="checkbox"/>
	50 Hz, 60 Hz
<input type="checkbox"/>	Menú de informaciones <input type="checkbox"/>
	Restauración de las posiciones predeterminadas de fábrica (hacer un tic en Sí o No)

Una mejor manera de localizar

El NaviTrack II le entrega al operario un panorama de la situación mientras el receptor se mueve a lo largo de la zona donde se encuentra enterrado el objetivo y facilita la ubicación del campo electromagnético que emite el conducto-objetivo. Provisto de mayor información, el operario puede hacerse una idea de la forma en que sitúan los objetos bajo tierra y resolver situaciones complejas, evita marcaciones inexactas en la superficie, y encuentra más rápidamente el conducto o cable que busca.

Lo que hace el NaviTrack II

El NaviTrack II se usa en la superficie para captar y rastrear campos electromagnéticos emitidos por conductos enterrados o escondidos (conductores eléctricos como cables y conductos metálicos) o por Sondas (balizas transmisoras).

Cuando los campos no tienen distorsiones, la información proveniente del campo que se detecta entrega un diagrama preciso del objeto enterrado. Cuando la situación se torna compleja debido a las interferencias creadas por más de un conducto, u otros factores, el NaviTrack II muestra un display de múltiples mediciones tomadas del campo que se estudia. Con estos datos a la mano resulta más fácil dilucidar el problema, por cuanto entregan pistas para determinar si la localización es buena, mala, cuestionable o confiable. En lugar de poner tiza o pintura donde no corresponde, el operario se da cuenta perfectamente cuando una localización complicada necesita reexaminarse.

El NaviTrack II proporciona más de la información decisiva que el operario necesita para comprender la situación en que se encuentra el conducto de servicio público que debe localizar.

Lo que no hace

El NaviTrack II localiza detectando los campos electromagnéticos que rodean a los objetos conductivos; no detecta los objetos subterráneos en forma directa. Suministra más información sobre la forma y dirección de los campos que otros localizadores, pero no interpreta esa información por arte de magia ni le saca radiografías a los objetos enterrados.

Para analizar correctamente un campo complejo y distorsionado en un ambiente bullicioso se requieren reflexiones inteligentes. El NaviTrack II no puede cambiar los resultados de una localización difícil, aun cuando muestra toda la información acerca de esos resultados. Haciendo uso de lo que le muestra el NaviTrack II, un buen operario puede mejorar los resultados de una localización "haciéndole mejoras al circuito" (cambios de fre-

cuencia, en la conexión a tierra, en el emplazamiento del transmisor dentro del conducto-objetivo).

Ventajas de la antena omnidireccional

A diferencia de las bobinas que emplean muchos dispositivos de localización, la antena omnidireccional capta campos en tres ejes individuales, y puede combinar estas señales para formar una "fotografía" de la intensidad aparente y la dirección del campo. Las antenas omnidireccionales ofrecen grandes ventajas:

Display de mapas

El display de mapas, posibilitado por la antenas omnidireccionales, muestra una vista gráfica de las características de la señal y una vista aérea de la señal bajo tierra. Se usa como guía para rastrear conductos enterrados y puede usarse para ubicar Sondas con mayor exactitud. Asimismo, puede emplearse para obtener más información en localizaciones complejas.

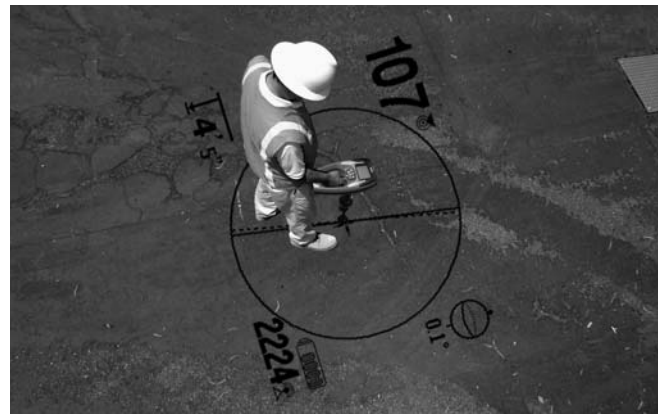


Figura 48 – Display de mapas

El uso de líneas (que representan las señales captadas por las antenas superior e inferior) le entrega al operario una forma gráfica de ver dónde se encuentran, y le muestra la posición del conducto-objetivo o de la sonda. De una sola vez, el display provee toda la información necesaria para entender lo que está pasando con el campo que se localiza: la intensidad de su señal, distancia continua, ángulo de la señal y proximidad al objetivo. La recolección de todos los datos que el NaviTrack II entrega a un mismo tiempo, le exige a otros localizadores tradicionales múltiples lecturas de sondeos. Un campo distorsionado o compuesto resulta mucho más fácil de interpretar cuando se tiene toda la información en un solo display. Así la entrega el NaviTrack II.

Dirección de la señal

Debido a la gran cantidad de señales que están siendo procesadas por cada una de las antenas multidireccionales, la señal del objetivo siempre se intensifica a medida que el receptor se acerca al objetivo. La intensidad

de la señal no se verá afectada por la manera en que se sujete el aparato. El usuario puede aproximarse desde cualquiera dirección y no necesita saber la dirección de la tubería o del cable.

Localización de Sondas

Al usárselo con una Sonda, el NaviTrack elimina los Nulos y las "Crestas fantasmas" o falsas. Un localizador tradicional a menudo "ve" un aumento de la señal seguida de un nulo (mejor dicho, no se registra señal en la antena) y luego una cresta. Esto puede confundir al operario, quien puede interpretar una cresta más pequeña como el objetivo.

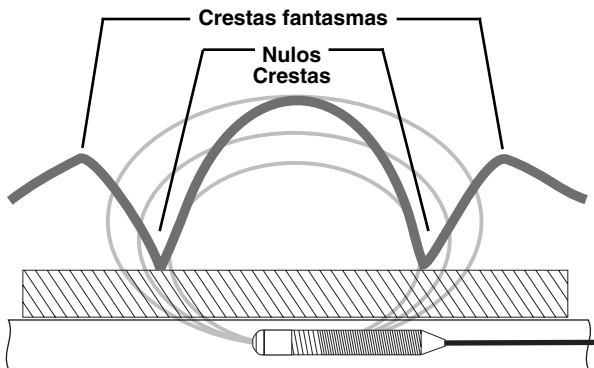


Figura 49 – Señal proveniente de una sonda "vista" por un localizador convencional

La cresta principal está al centro, y dos crestas fantasmas se ubican afuera de los dos nulos.

El NaviTrack muestra sólo una cresta para dirigir al usuario hacia el objetivo. La detección de una Sonda empleando la Intensidad de Señal es un trámite muy directo.

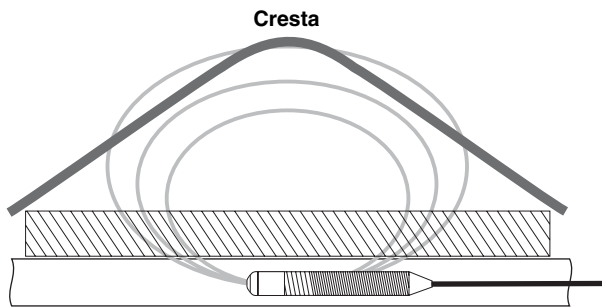


Figura 50 – Señal de sonda "vista" por el NaviTrack II

No queda otra que seguir hacia arriba, hacia la señal máxima.

Señal de Proximidad

La señal de Proximidad del NaviTrack II es una nueva pieza informativa, una herramienta para centrar al operario en el conducto-objetivo. Le dice al operario cuán cerca se encuentra el aparato del objetivo. La señal de Proximidad entrega una cresta más definida en una

localización que la que se obtiene usando intensidad de la señal.

La señal de Proximidad se obtiene comparando la información que está siendo captada por las dos antenas omnidireccionales en los nódulos superior e inferior en el mástil del NaviTrack II. (Solamente en las modalidades Rastreo de Conductos Activados y de Conductos Pasivos).

Localización "informada"

Gracias a los avanzados displays y procesamiento de datos, la información que suministra el NaviTrack II indica con claridad si una localización es altamente confiable y cuando es dudosa.

Un buen operario puede hacerse el cuadro de lo que ocurre bajo tierra con menor dificultad si usa combinadamente los datos que entregan:

- la señal de Proximidad/Intensidad de la Señal
- las líneas de Rastreo y de Distorsión (antenas superior e inferior)
- las indicaciones continuas de Profundidad Medida
- la Intensidad de la Señal

Estos indicadores muestran que las antenas están "captando" mientras se mueven por el campo. Advierten que un campo se deforma o pierde su forma debido a interferencias provenientes de otros conductos u objetos en las cercanías. Cuando hay presentes considerables distorsiones, los indicadores no estarán de acuerdo. Si el operario se entera de que hay distorsiones presentes, puede optar por reducirla o por lo menos tomarla en cuenta. (Por ejemplo, en campos distorsionados tanto la posición como la lectura de la Profundidad Medida se tornan sospechosas).

Por otra parte, cuando se tiene más información es posible verificar si una localización es buena. Si todos los indicadores coinciden y son razonables, entonces el grado de confiabilidad de la localización es mucho más alto.

Cómo aprovechar el NaviTrack II al máximo

Las características básicas del NaviTrack II se aprenden a manejar rápidamente. Sin embargo, el aparato tiene características avanzadas, las cuales facilitarán las localizaciones siempre que el operario sea capaz de comprender lo que indican.

Más sobre localización "informada"

La forma habitual de un campo alrededor de un conductor largo (tubería o cable) es circular (en tres dimensiones es cilíndrica). Cuando se está en el centro de un campo circular, cuente con los siguientes indicadores:

- Máxima intensidad de la señal.
- Señal de Proximidad máxima (Modalidad 'Rastreo de Conductos').
- Líneas de Rastreo y de Distorsión centradas.
- Lecturas de Profundidad Medida coherentes y constantes.
- Mínima Profundidad Medida.
- Tono y volumen del Sonido van in crescendo hasta que alcanzan el máximo encima del conducto.

El operario experimentado aprende a "ver" cómo se relacionan entre sí los datos informativos que proporciona el NaviTrack II. Si bien la localización de un campo circular es simple y sencilla, el rastreo de un conducto que yace cerca de otros conductores de gran tamaño -como cables de energía eléctrica, líneas telefónicas, cañerías de gas o hasta chatarra metálica enterrada- trae consigo muchas preguntas que sólo pueden contestarse correctamente tomando en cuenta toda la información que se tiene.

El operario puede ver hacia dónde está distorsionado el campo si compara Intensidad de Señal, Ángulo de la Señal, Señal de Proximidad, líneas de Rastreo y Distorsión, y Profundidad Medida. Si se compara la información relativa al campo con lo que se observa detenidamente en la superficie -fijándose en dónde se ubican transformadores, medidores, cajas de empalmes eléctricos, bocas de alcantarilla o pozos de inspección-, es posible establecer qué es lo que está causando distorsión. Es importante recordar, especialmente en sitios complejos, que no se puede garantizar la posición de una tubería más que con una inspección visual, por ejemplo, por medio de una perforación.

Los campos compuestos o complejos darán diversos indicios en el NaviTrack II, como por ejemplo:

- Discrepancias entre las líneas de Rastreo y de Distorsión
- Lecturas de Profundidad Medida incoherentes o contradictorias
- Indicios aleatorios fluctuantes (debidos también a señales muy débiles)
- Señal de proximidad contradictoria (modalidad 'Rastreo de Conductos')
- Intensidad de la señal maximizándose hacia un lado del conductor

Generalmente la distorsión será peor al utilizarse frecuencias más altas debido a la tendencia de las señales de las frecuencias más altas a "saltar" hacia los conductos adyacentes. Los objetos de hierro y acero de gran tamaño (tapas de bóvedas, tapas de bocas de alcantarilla, placas cubrezanjas, soportes estructurales, barras, varillas y vehículos) también pueden distorsionar considerablemente hasta las frecuencias más bajas. En general, la localización pasiva es más susceptible a distorsiones que la localización de conductos activados, especialmente en lo que se refiere a mediciones de profundidad. Los transformadores de energía eléctrica y los cables de energía eléctrica en lo alto y enterrados son una fuente de gran distorsión. Puede resultar imposible efectuar una localización precisa cerca de un transformador eléctrico.

Observaciones sobre la exactitud

Las mediciones de Profundidad, señal de Proximidad e Intensidad de la Señal dependen de la recepción de una señal fuerte por parte del NaviTrack II. Recuerde que el NaviTrack II se emplea sobre la superficie para detectar campos electromagnéticos emitidos por conductos enterrados (conductores de electricidad, como cables metálicos o tubería) o sondas (balizas transmisoras). Cuando los campos son simples y no están siendo distorsionados, los campos detectados son representativos del objeto que se encuentra bajo tierra.

Si esos campos están siendo distorsionados y hay varios campos interactuando, el NaviTrack II no localizará con exactitud. La localización no es una ciencia exacta. Requiere que el operario emplee buen criterio y busque toda la información que tenga disponible más allá de la que le entrega el localizador. El NaviTrack II proveerá mayor información al usuario, pero le corresponde al operario interpretar esta información correctamente. Ningún fabricante de localizadores puede asegurar que para efectuar una óptima localización el operario solamente necesita hacer valer los datos que le entrega su instrumento. Un operario prudente considera la información recibida como una solución parcial al problema de localización y la combina con su conocimiento del ambiente, de las prácticas y métodos de las empresas de servicios públicos, observaciones visuales y su nivel de familiarización con el instrumento para llegar a una conclusión.

Condiciones bajo las cuales la exactitud debe ponerse en duda:

- **Cuando se encuentran presentes otros conductos o instalaciones de servicios públicos.** El drenaje genera campos distorsionados e ilumina conductos distintos al que se busca. Siempre que pueda, emplee frecuencias más bajas y elimine cualquier conexión entre los dos conductos.



Figura 51 – Drenaje

- **Cuando el conducto tiene "T"s , ramificaciones o bifurcaciones.** Si se está siguiendo una señal clara que de repente se pone ambigua, comience a buscar en un círculo de 20 pies alrededor del último punto con buena señal para ver si la buena señal se capta nuevamente. Lo ocurrido puede estar indicando que existe una bifurcación, junta, conexión u otro cambio en el conducto. Esté atento a estas "escisiones" o a los cambios repentinos en la dirección del conducto-objetivo que se rastrea.
- **Cuando la intensidad de la señal es baja.** Para localizar con precisión es indispensable una señal fuerte. Una señal débil puede mejorarse cambiando la conexión a tierra del circuito, la frecuencia o la conexión del transmisor. Aislamientos desgastados o dañados, cables concéntricos pelados y tubos de hierro expuestos a tierra afectarán la Intensidad de la Señal debido al drenaje hacia tierra.
- **La calidad de la conexión a tierra en el extremo distante** hará variar la intensidad de la señal en forma apreciable. En lugares donde no sea posible establecer la puesta a tierra en el extremo distante, una frecuencia más alta producirá una mejor señal. El mejoramiento de las condiciones de puesta a tierra de un circuito de localización es el principal remedio para una señal débil.
- **Cuando las condiciones del suelo no son las óptimas.** Suelos saturados de agua o extremadamente secos pueden afectar las mediciones. Los terrenos saturados de agua salada, como los que se encuentran cerca de la costa, tapanán gran parte de la señal y en

ellos es muy difícil efectuar localizaciones, en especial a altas frecuencias. Por contraste, si tierra muy seca alrededor de una estaca de puesta a tierra se moja con agua, la señal mejora ostensiblemente.

- **En presencia de objetos metálicos de gran tamaño.** Tan sólo pasar por el lado de un automóvil estacionado durante un rastreo, por ejemplo, puede causar un aumento o disminución imprevista en la intensidad de la señal, la cual volverá a la normalidad una vez pasado el objeto que la distorsionó. Este efecto es más fuerte a frecuencias altas, las que se "montan" fácilmente en otros objetos. Las tapas de pozos o alcantarillas y las placas cubrezanjas son grandes distorsionadoras de señales.

El NaviTrack II no puede cambiar las condiciones subyacente de una localización difícil, pero siempre es posible cambiar de frecuencia, las condiciones de la puesta a tierra, la posición del transmisor o aislar el conducto-objetivo con el fin de lograr una mejor conexión a tierra, evitar una división de la señal y reducir la distorsión. Los otros receptores-localizadores podrán indicar que se encuentran sobre un conducto enterrado, pero no tienen la capacidad para discernir entre una buena o mala localización.

El NaviTrack II provee *mayor información*. Si todos los indicadores se alinean y concuerdan, se puede marcar la superficie con mayor confianza. Si el campo tiene distorsión, lo advierte de inmediato. Gracias al NaviTrack II, el operario puede hacer algo para aislar el conducto-objetivo, cambiar la puesta a tierra, el punto de conexión, mover el transmisor o cambiar de frecuencia para obtener una mejor recepción con menos distorsiones. Para estar aún más seguro, pida que se haga una perforación hasta el conducto.

Al fin de cuentas, el operario es el componente más importante de una localización. Y el NaviTrack II pone a su disposición una cantidad sin precedentes de datos para que pueda tomar las decisiones correctas.

Mantenimiento del NaviTrack II

Transporte y almacenamiento

Antes de transportarlo, asegure que el aparato está apagado, para conservar la carga de las pilas.

Durante el transporte asegure que el NaviTrack II vaya protegido, sin dar botes y puesto en un lugar donde no será golpeado por objetos sueltos.

El NaviTrack debe almacenarse en un lugar fresco y seco.

¡NOTA! Extráigale las pilas si permanecerá guardado por un período largo de tiempo.

Si lo va a enviar por correo o encomienda, sáquele las pilas.

Instalación y uso de accesorios

El NaviTrack II viene con fichas indicadoras de Sonda y de Polos para marcar estas localizaciones en la superficie. Trae dos (2) fichas rojas para marcar los Polos y una (1) amarilla para marcar la Sonda. Las fichas también pueden emplearse para marcar temporalmente puntos a los cuales es necesario volver mientras se rastrea una zona.

Si necesita asistencia, por favor llame al Servicio Técnico de RIDGE Tool al 800-519-3456. Puede solicitar pedidos de repuestos a su distribuidor RIDGID.

Mantenimiento y limpieza

1. Limpie el NaviTrack II con un paño húmedo y una pequeña cantidad de detergente suave. No lo sumerja en agua.
2. Al limpiarlo, no emplee herramientas ni abrasivos que puedan rayar o raspar el visualizador. **JAMÁS USE DISOLVENTES** para limpiar parte alguna del aparato. Sustancias como la acetona u otros productos fuertes pueden agrietarle la carcasa.

Localización de componentes defectuosos

Para la detección de averías, por favor consulte la guía de Detección de Averías en la *página 100*. Para consultas, llame al Servicio Técnico de RIDGE Tool al 800-519-3456. Estableceremos un plan de acción para que su NaviTrack II vuelva a funcionar correctamente a la brevedad.

Servicio y reparaciones

▲ ADVERTENCIA



El aparato debe llevarse a un Servicentro Independiente Autorizado de RIDGID o devuelto a la fábrica. Extráigale las pilas antes de enviarlo. Todas las reparaciones hechas por establecimientos Ridge están garantizadas contra defectos en los materiales y de la mano de obra.

¡CUIDADO! Antes de enviar el NaviTrack II a un servicentro o fábrica, extráigale todas las pilas.

Si tiene cualquier pregunta relativa al servicio o reparación de esta máquina, llame o escriba a:

Ridge Tool Company
Departamento de Servicio Técnico
400 Clark Street
Elyria, Ohio 44035-6001
Teléfono: (800) 519-3456
E-mail: TechServices@ridgid.com

Para información sobre el nombre y dirección del Servicentro Autorizado Independiente más cercano, llame a Ridge Tool Company al (800) 519-3456 o visítenos en <http://www.ridgid.com>

Glosario – Definiciones

Rastreo de Conductos Activados Una modalidad de localización empleando un Transmisor para inyectar una frecuencia escogida en un conductor. El NaviTrack II es capaz de detectar esa frecuencia para lograr la localización de este conductor.

Zona de actividad en pantalla La zona comprendida dentro del círculo de la pantalla operacional, donde aparecen los símbolos de Sonda y Polo, y las líneas de Rastreo y Distorsión.

Drenaje acoplo de una señal que emana del conjunto-objetivo a un conductor adyacente a través de cualquier medio (resistivo, capacitivo o inductivo).

Frecuencias activadas con un tic Se considera que una frecuencia tiene el status de "activada con un tic" cuando se le ha hecho esa marca en el menú principal. Se puede acceder a ella oprimiendo la tecla 'Frecuencias'. La frecuencia "en uso" es siempre una perteneciente al conjunto de las "activadas con un tic".

Descrestamiento Condición causada por la recepción de una señal demasiado intensa como para ser procesada toda de una vez. El NaviTrack II advertirá la ocurrencia de este suceso con un flash. Las crestas de la señal son demasiado altas y aparecen truncadas.

Cruceta Símbolo en el centro de la Zona de Actividad en pantalla que representa la ubicación del NaviTrack II dentro del campo que se rastrea.

Intensidad de corriente El nivel calculado de corriente basado en la intensidad del campo que está siendo captado por las antenas omnidireccionales del NaviTrack II expresado aproximadamente en miliamperios (mA). Se requiere una medición de profundidad exacta para asegurar la precisión.

Frecuencias actualmente disponibles Se consideran las frecuencias que han sido marcadas con un tic en el menú de Frecuencias como "actualmente disponibles". Aparecen en el Menú Principal cuando se oprime la tecla 'Menús'. Para ponerlas en servicio activo se las marca con un tic.

Posiciones predeterminadas Los valores predeterminados son aquellos que emplea el NaviTrack II para funcionar si el operario no selecciona otras regulaciones. Si los valores predeterminados se han cambiado, pueden reestablecerse desde el Menú de Informaciones.

Distorsión Cambios indeseables de una señal en el curso de su propagación dentro de un campo electromagnético circular. La deformación de la señal la provocan campos cercanos, otros conductores, flujos magnéticos y otras interferencias. Con el NaviTrack II se detecta una distorsión comparando las líneas de Rastreo y de Distorsión, señal de Proximidad, Intensidad de la Señal, y las lecturas de la Profundidad Medida y el Ángulo de la Señal.

Frecuencia El número de veces por segundo que se forma y desvanece un campo electromagnético (o tratándose de corriente alterna, cambia de positivo a negativo). Se expresa en hercios (Hz) (ciclos por segundo) o kilohercios (kHz) (miles de ciclos por segundo).

Frecuencia "en uso" La frecuencia en la que se encuentra puesto el NaviTrack II para captar señales. La frecuencia "en uso" predeterminada de fábrica es la de 512 Hz (modalidad 'Sonda') o 33kHz (modalidad 'Rastreo de Conductos Activados'). Se selecciona una frecuencia "en uso" a partir del conjunto de frecuencias que han sido marcadas con un tic, mediante la tecla 'Frecuencias'.

Localización "informada" Un avance en la ciencia y arte de localizar conductos enterrados de las empresas de servicios públicos y Sondas, que consiste en mostrar múltiples datos informativos en un display integrado. Los datos en tiempo real dependen de la acción y presentaciones de las antenas omnidireccionales.

Puntero En el NaviTrack II es un puntero continuo que da vueltas alrededor de una pista circular indicando la Intensidad de Señal que se está captando. Vea "Marcador de agua".

Menú de Frecuencias disponibles para activar El conjunto de frecuencias que pueden usarse con el NaviTrack II. Se accede al listado mediante el submenú de Selección de Frecuencias.

Profundidad/ Distancia Medida La distancia o profundidad que el aparato ha calculado existe hasta la Sonda o hasta donde parece estar el centro del conducto conductor que se está rastreando. Esta es una medición virtual y puede ser inexacta si es que hay distorsiones presentes. La profundidad debe verificarse con una perforación antes de excavar.

Modalidad Estado o método diferenciado de funcionamiento de un aparato. El NaviTrack funciona en tres modalidades: Rastreo de Conductos Activados, Rastreo de Conductos Pasivos y Localización de Sondas.

Antena omnidireccional Antena de tecnología patentada que combina la detección de campos electromagnéticos en tres ejes simultáneamente. El NaviTrack II emplea dos antenas omnidireccionales.

Pantalla operativa El display que aparece en la pantalla del aparato cuando se está localizando. Exhibe una Zona de Actividad en pantalla en donde aparecen las líneas de Rastreo y de Distorsión (durante las modalidades de Rastreo de Conductos) y los íconos de Polo y Ecuador (durante la modalidad 'Sonda'). También muestra Profundidad Medida, Intensidad de la Señal, Ángulo de la Señal y los valores de corriente y señal de Proximidad, dependiendo de la modalidad y la selección de opciones en uso.

Rastreo de Conductos Pasivos Una modalidad de rastreo de conductos que no usa un transmisor para activar el conducto con corriente. Se usa para el rastreo de conductos a los cuales se les han acoplado señales externas.

Polo Donde las líneas del campo de una Sonda salen de la tierra verticalmente. Uno de los dos extremos de un campo de dipolo, como el campo magnético del planeta Tierra, o el campo alrededor de una Sonda. El NaviTrack II muestra un ícono de Polo cuando detecta los Polos de una Sonda.

Señal de Proximidad Una señal computarizada que refleja cuán cerca se encuentra el operario del conducto-objetivo en las modalidades de Rastreo de Conductos. El aparato la calcula basándose en la señal captada por los nódulos de las dos antenas omnidireccionales.

Pista de carreras Una pista circular opcional en el visualizador ubicada al exterior de la Zona de Actividad por la cual avanza el Puntero mostrando gráficamente la Intensidad de la Señal. También contiene el Marcador de agua que muestra el nivel más alto de Intensidad de Señal alcanzado.

Ángulo de la Señal El ángulo del campo con relación al plano horizontal.

Intensidad de la Señal La intensidad relativa de la totalidad de la señal del campo captada por la antena omnidireccional inferior en tres dimensiones.

Sonda Un transmisor independiente, generalmente a pilas, empleado para indicar un punto dentro de una tubería, túnel o conducto enterrado.

Marcador de agua Un ícono adicional de display que muestra la máxima Intensidad de Señal lograda durante el rastreo. El Marcador circula por la Pista de Carreras y se adelanta cuando el Puntero alcanza un nuevo clímax, con el fin de indicar gráficamente cuál ha sido el nivel más alto de señal captado. (Vea Puntero).

Tabla 1 Detección de averías

PROBLEMA	POSIBLES CAUSAS
El NaviTrack II se traba o se bloquea durante su uso.	Apague el aparato y luego enciéndalo. Extráigale las pilas si rehúsa apagarse. Si las pilas están descargadas, reemplácelas.
El NaviTrack II no capta la señal.	Asegure que el aparato se encuentra en la modalidad y frecuencia correctas. Examine el circuito y vea cómo puede mejorarlo. Cambie de posición el transmisor, la puesta a tierra, la frecuencia, etc.
Durante un rastreo las líneas "saltan" por todo el display de mapas.	<p>Esto indica que el NaviTrack no capta la señal o existen interferencias.</p> <p>Asegure que el transmisor está bien acoplado y puesto a tierra. Apunte el NaviTrack II hacia cada alambre de conexión para asegurar que existe un circuito cerrado.</p> <p>Pruebe una frecuencia más alta, o haga la conexión en otro punto del conducto, o cambie a modalidad inductiva.</p> <p>Trate de determinar cuál es la fuente del ruido y elimínala. (Adherido, a tierra, etc.)</p>
Durante una localización de sonda, las líneas "saltan" por toda la pantalla.	<p>Revise las pilas en la Sonda para comprobar que funcionan.</p> <p>Puede que la Sonda se encuentre demasiado lejos. Si es posible, trate de comenzar con ella más cerca, o haga un cateo de la zona.</p> <p>Verifique la señal colocando la antena inferior cerca de la Sonda. NOTA: Las Sondas tienen dificultad para emitir señales a través de conductos de hierro fundido y hierro dúctil.</p>
La distancia entre la sonda y cada uno de los Polos no es igual.	La Sonda puede estar inclinada o puede haber una transición en el conducto: de hierro fundido a plástico.
La unidad se comporta en forma errática, rehúsa apagarse.	Las pilas pueden estar descargadas. Cámbielas y vuelva a encender el aparato.
El visualizador está completamente oscurecido o completamente claro cuando se enciende el aparato.	<p>Apague el aparato y vuelva a encenderlo.</p> <p>Ajuste el contraste de la pantalla de cristal líquido.</p>
No hay sonido.	Ajuste el nivel del sonido en el menú de Sonido. Verifique que la Señal de Proximidad es superior a cero.
El NaviTrack II no se enciende.	<p>Revise que las pilas estén orientadas correctamente.</p> <p>Revise que las pilas estén cargadas.</p> <p>Revise que los contactos de las pilas estén en buen estado.</p> <p>Puede haberse quemado un fusible del aparato (Se requiere servicio de fábrica).</p>
Cuando se usa la frecuencia 93 kHz el detector no recibe una señal.	Ponga el receptor a la frecuencia de 93-B como se describe en la <i>página 85</i> .

What is covered

RIDGID® tools are warranted to be free of defects in workmanship and material.

How long coverage lasts

This warranty lasts for the lifetime of the RIDGID® tool. Warranty coverage ends when the product becomes unusable for reasons other than defects in workmanship or material.

How you can get service

To obtain the benefit of this warranty, deliver via prepaid transportation the complete product to RIDGE TOOL COMPANY, Elyria, Ohio, or any authorized RIDGID® INDEPENDENT SERVICE CENTER. Pipe wrenches and other hand tools should be returned to the place of purchase.

What we will do to correct problems

Warranted products will be repaired or replaced, at RIDGE TOOL'S option, and returned at no charge; or, if after three attempts to repair or replace during the warranty period the product is still defective, you can elect to receive a full refund of your purchase price.

What is not covered

Failures due to misuse, abuse or normal wear and tear are not covered by this warranty. RIDGE TOOL shall not be responsible for any incidental or consequential damages.

How local law relates to the warranty

Some states do not allow the exclusion or limitation of incidental or consequential damages, so the above limitation or exclusion may not apply to you. This warranty gives you specific rights, and you may also have other rights, which vary, from state to state, province to province, or country to country.

No other express warranty applies

This FULL LIFETIME WARRANTY is the sole and exclusive warranty for RIDGID® products. No employee, agent, dealer, or other person is authorized to alter this warranty or make any other warranty on behalf of the RIDGE TOOL COMPANY.

**Ridge Tool Company**

400 Clark Street
Elyria, Ohio 44035-6001

RIDGID
Tools For The Professional™

Ce qui est couvert

Les outils RIDGE® sont garantis contre tous vices de matériaux et de main d'oeuvre.

Durée de couverture

Cette garantie est applicable durant la vie entière de l'outil RIDGE®. La couverture cesse dès lors que le produit devient inutilisable pour raisons autres que des vices de matériaux ou de main d'oeuvre.

Pour invoquer la garantie

Pour toutes réparations au titre de la garantie, il convient d'expédier le produit complet en port payé à la RIDGE TOOL COMPANY, Elyria, Ohio, ou bien le remettre à un réparateur RIDGID® agréé. Les clés à pipe et autres outils à main doivent être ramenés au lieu d'achat.

Ce que nous ferons pour résoudre le problème

Les produits sous garantie seront à la discrétion de RIDGE TOOL, soit réparés ou remplacés, puis ré-expédiés gratuitement ; ou si, après trois tentatives de réparation ou de remplacement durant la période de validité de la garantie le produit s'avère toujours défectueux, vous aurez l'option de demander le remboursement intégral de son prix d'achat.

Ce qui n'est pas couvert

Les défaillances dues au mauvais emploi, à l'abus ou à l'usure normale ne sont pas couvertes par cette garantie. RIDGE TOOL ne sera tenue responsable d'aucuns dommages directs ou indirects.

L'influence de la législation locale sur la garantie

Puisque certaines législations locales interdisent l'exclusion des dommages directs ou indirects, il se peut que la limitation ou exclusion ci-dessus ne vous soit pas applicable. Cette garantie vous donne des droits spécifiques qui peuvent être éventuellement complétés par d'autres droits prévus par votre législation locale.

Il n'existe aucune autre garantie expresse

Cette GARANTIE PERPETUELLE INTEGRALE est la seule et unique garantie couvrant les produits RIDGID®. Aucun employé, agent, distributeur ou tiers n'est autorisé à modifier cette garantie ou à offrir une garantie supplémentaire au nom de la RIDGE TOOL COMPANY.

Qué cubre

Las herramientas RIDGID están garantizadas contra defectos de la mano de obra y de los materiales empleados en su fabricación.

Duración de la cobertura

Esta garantía cubre a la herramienta RIDGID durante toda su vida útil. La cobertura de la garantía caduca cuando el producto se torna inservible por razones distintas a las de defectos en la mano de obra o en los materiales.

Cómo obtener servicio

Para obtener los beneficios de esta garantía, envíe mediante porte pagado, la totalidad del producto a RIDGE TOOL COMPANY, en Elyria, Ohio, o a cualquier Servicentro Independiente RIDGID. Las llaves para tubos y demás herramientas de mano deben devolverse a la tienda donde se adquirieron.

Lo que hacemos para corregir el problema

El producto bajo garantía será reparado o reemplazado por otro, a discreción de RIDGE TOOL, y devuelto sin costo; o, si aún resulta defectuoso después de haber sido reparado o sustituido tres veces durante el período de su garantía, Ud. puede optar por recibir un reembolso por el valor total de su compra.

Lo que no está cubierto

Esta garantía no cubre fallas debido al mal uso, abuso o desgaste normal. RIDGE TOOL no se hace responsable de daño incidental o consiguiente alguno.

Relación entre la garantía y las leyes locales

Algunos estados de los EE.UU. no permiten la exclusión o restricción referente a daños incidentales o consiguientes. Por lo tanto, puede que la limitación o restricción mencionada anteriormente no rija para Ud. Esta garantía le otorga derechos específicos, y puede que, además, Ud tenga otros derechos, los cuales varían de estado a estado, provincia a provincia o país a país.

No rige ninguna otra garantía expresa

Esta GARANTIA VITALICIA es la única y exclusiva garantía para los productos RIDGID. Ningún empleado, agente, distribuidor u otra persona está autorizado para modificar esta garantía u ofrecer cualquier otra garantía en nombre de RIDGE TOOL COMPANY.


EMERSON
Professional Tools

EMERSON. CONSIDER IT SOLVED.™