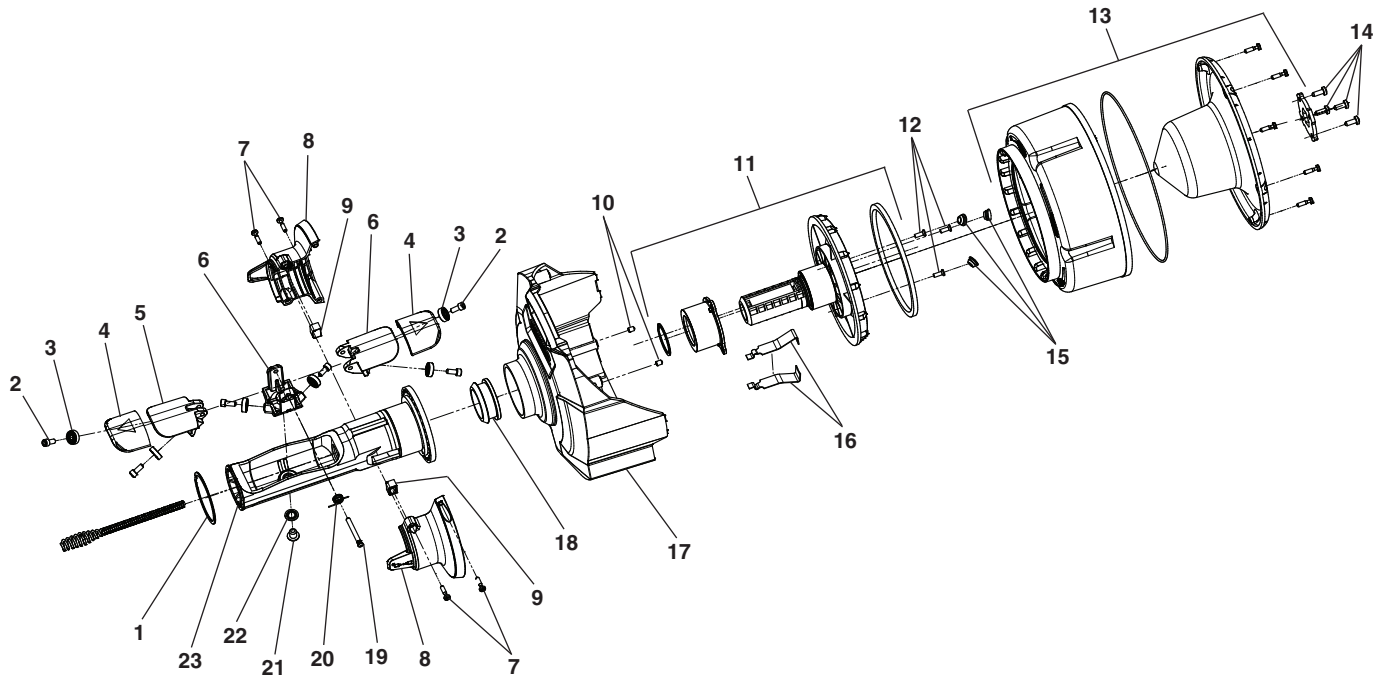


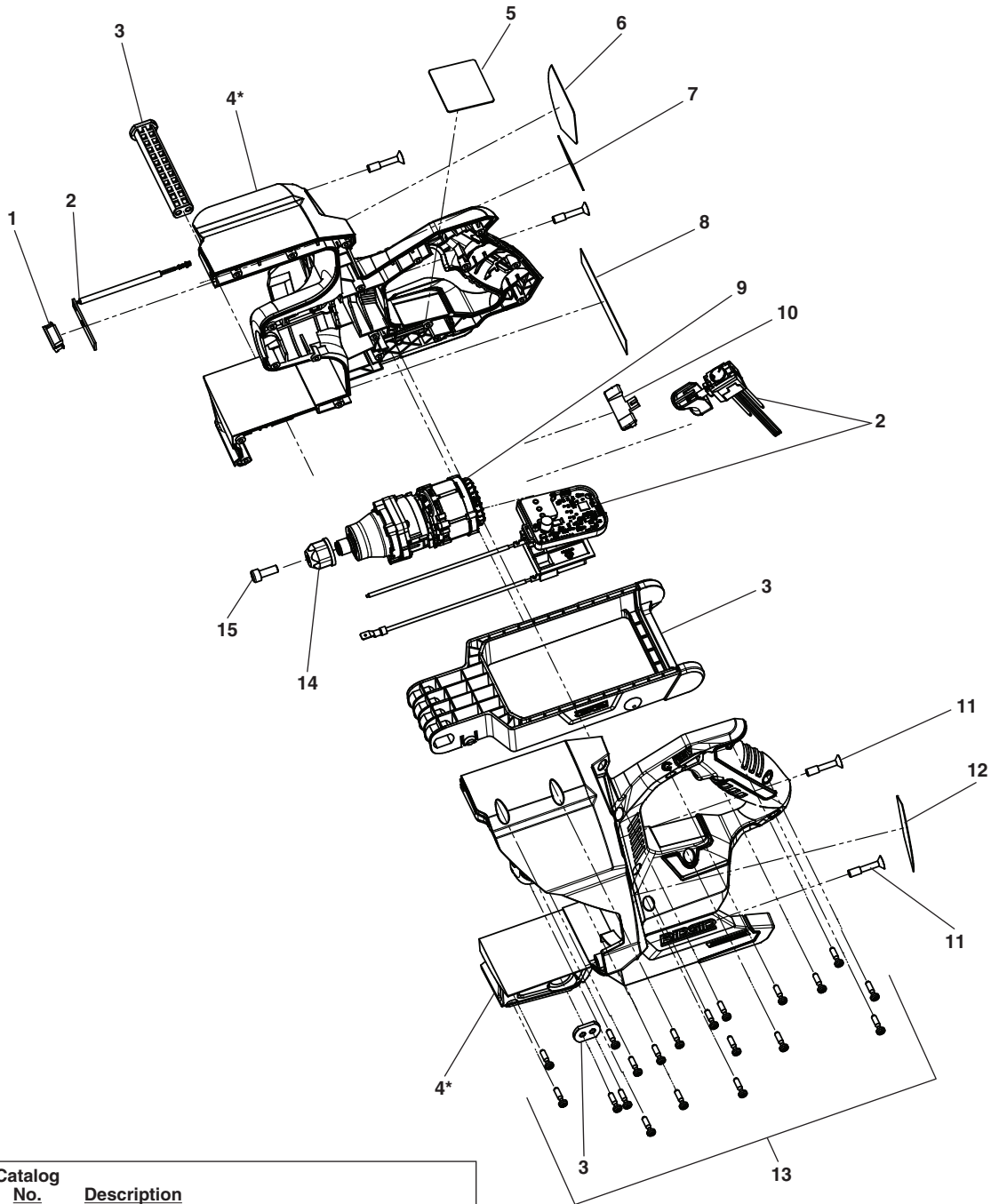
Drum & AUTOFEED® ASM



**NOTE: Order parts by Catalog Number only.
DO NOT order by Reference Number.**

Ref. No.	Catalog No.	Description
1	81068	Ring, Retaining EZ58
2	68163	Screw M5 (6)
3	81063	Roller (6)
4	81058	Cover, Lever
5	81053	AUTOFEED Forward Lever
6	81048	AUTOFEED Cartridge
7	81043	Screw, Cross Recessed Oval HD ST 4 x 16 (29)
8	81038	Slider, Cable Lock
9	81083	Sleeve, Cable Lock (2)
10	81098	Plunger, Ball
11	81168	Tube, Front Drum Asm. (includes ref 12,15 and bracketed items)
12	81178	Screw, Counter ST4 x 12 (3)
13	78103	Drum, K-46 (includes ref 14 and bracketed items)
14	81198	Screw, ST4.8 x 13 Pan Head Tap. (4)
15	81183	Plug, 9mm (3)
16	81163	Spring, Clamp
17	81093	Housing, Front
18	81088	Sleeve, Clamp Spring
19	56888	Pin, Pivot
20	24228	Spring, Torsion
21	81078	Screw, 1/8"-18 x 3/8 Button Head (1)
22	31248	Washer, Lock 1/8" Internal (1)
23	81073	Grip, AUTOFEED

Power Unit



Ref. No.	Catalog No.	Description
1	81018	Front drum lens
2	81218	PCBA asm. w/trigger and wire harness
3	78093	Kickstand replacement
4*	81003	Housing Set *Includes labels and screws
5	81248	Nameplate K-46
6	81243	Label, QR Code
7	81238	Label Forward/Reverse
8	81233	Label K46
9	81228	Motor 18V
10	81223	Lever, Reverse Switch
11	81213	Screw, Flathead Captive M6x30 (4)
12	81208	Label, K-46 Warning
13	81043	Screw, Cross Recessed Oval HD ST 4 x 16 (29)
14	81203	Ring, Screw Trans.
15	81188	Screw, Hex. Socket Head Cap. M6 x 16 (1)