

Model K9-306 FlexShaft™ Drain Cleaning Machine



RIDGID.com/qr/k9-306

- Français – 21
- Castellano – pág. 43

Table of Contents

Safety Symbols 2

General Power Tool Safety Warnings

 Work Area Safety 2

 Electrical Safety 2

 Personal Safety 3

 Tool Use and Care 3

 Service 4

Specific Safety Information 4

 FlexShaft™ Drain Cleaning Machine Safety 4

RIDGID Contact Information 5

Description 5

Specifications 6

 Standard Equipment 6

Pre-Operation Inspection 6

Machine and Work Area Set-up 7

 Installing/Adjusting Chain Knocker 9

 Installing Brushes 11

 Installing Penetrating Head 12

Operating Instructions 12

 Using Machine With Brushes 15

 Draining Drum 16

 Transportation 16

Storage 16

Maintenance Instructions 16

 Cleaning 17

 Lubrication 17

 Cable Re-termination 17

 Cable Assembly Replacement 17

 Motor Brush Inspection/Change 18

 Electronic Torque Limiter/Motor Thermal Overload 18

 Troubleshooting 19

 Service And Repair 19

Optional Equipment 19

Disposal 20

UKCA Declaration of Conformity Inside Back Cover

Lifetime Warranty Back Cover

*Original Instructions - English

Drain Cleaning Machine

Model K9-306 FlexShaft™ Drain Cleaning Machine



⚠ WARNING!

Read this Operator's Manual carefully before using this tool. Failure to understand and follow the contents of this manual may result in electrical shock, fire and/or serious personal injury.

RIDGID

Safety Symbols

In this operator's manual and on the product, safety symbols and signal words are used to communicate important safety information. This section is provided to improve understanding of these signal words and symbols.



This is the safety alert symbol. It is used to alert you to potential personal injury hazards. Obey all safety messages that follow this symbol to avoid possible injury or death.

⚠ DANGER

DANGER indicates a hazardous situation which, if not avoided, will result in death or serious injury.

⚠ WARNING

WARNING indicates a hazardous situation which, if not avoided, could result in death or serious injury.

⚠ CAUTION

CAUTION indicates a hazardous situation which, if not avoided, could result in minor or moderate injury.

NOTICE

NOTICE indicates information that relates to the protection of property.



This symbol means read the operator's manual carefully before using the equipment. The operator's manual contains important information on the safe and proper operation of the equipment.



This symbol indicates the risk of fingers or other body parts being caught, wrapped, crushed or struck by the chain knocker. Do not operate tool with the cable end outside of the drain.



This symbol means always wear safety glasses with side shields or goggles while using this equipment to reduce the risk of eye injury.



This symbol means always wear gloves when handling or using this equipment to reduce the risk of infections, burns or other serious personal injury from the drain contents.



This symbol indicates the risk of hands, fingers or other body parts being caught, wrapped or crushed in the drain cleaning FlexShaft.



This symbol indicates that the marked equipment exceeds 55 lbs (25kg). Exercise caution when lifting or moving to reduce the risk of injury.



This symbol indicates the risk of the electrical shock.

General Power Tool Safety Warnings*

⚠ WARNING

Read all safety warnings, instructions, illustrations and specifications provided with this power tool. Failure to follow all instructions listed below may result in electric shock, fire and/or serious injury.

SAVE ALL WARNINGS AND INSTRUCTIONS FOR FUTURE REFERENCE!

The term "power tool" in the warnings refers to your mains-operated (corded) power tool or battery-operated (cordless) power tool.

Work Area Safety

- **Keep work area clean and well lit.** Cluttered or dark areas invite accidents.
- **Do not operate power tools in explosive atmospheres,** such as in the presence of flammable liquids, gases or dust. Power tools create sparks which may ignite the dust or fumes.

- **Keep children and by-standers away while a power tool.** Distractions can cause you to lose control.

Electrical Safety

- **Power tool plugs must match the outlet. Never modify the plug in any way. Do not use any adapter plugs with earthed (grounded) power tools.** Unmodified plugs and matching outlets will reduce risk of electric shock.
- **Avoid body contact with earthed or grounded surfaces such as pipes, radiators, ranges and refrigerators.** There is an increased risk of electrical shock if your body is earthed or grounded.
- **Do not expose power tools to rain or**

*The text used in the general power tool safety warnings section of this manual is verbatim, as required, from the applicable UL/CSA/EN 62841-1 standard. This section contains general safety practices for many different types of power tools. Not every precaution applies to every tool, and some do not apply to this tool.

wet conditions. Water entering a power tool will increase the risk of electrical shock.

- **Do not abuse the cord. Never use the cord for carrying, pulling or unplugging the power tool. Keep cord away from heat, oil, sharp edges or moving parts.** Damaged or entangled cords increase the risk of electric shock.
- **If operating a power tool in a damp location is unavoidable, use a ground fault circuit interrupter (GFCI) protected supply.** Use of a GFCI reduces the risk of electric shock.

Personal Safety

- **Stay alert, watch what you are doing and use common sense when operating a power tool. Do not use a power tool while you are tired or under the influence of drugs, alcohol, or medication.** A moment of inattention while operating tools may result in serious personal injury.
- **Use personal protective equipment. Always wear eye protection.** Protective equipment such as dust mask, non-skid safety shoes, hard hat, or hearing protection used for appropriate conditions will reduce personal injuries.
- **Prevent unintentional starting. Ensure the switch is in the off-position before connecting to power source and/or battery pack, picking up or carrying the tool.** Carrying power tools with your finger on the switch or energizing power tools that have the switch on invites accidents.
- **Remove any adjusting key or wrench before turning the power tool ON.** A wrench or a key left attached to a rotating part of the power tool may result in personal injury.
- **Do not overreach. Keep proper footing and balance at all times.** This enables better control of the tool in unexpected situations.
- **Dress properly. Do not wear loose clothing or jewelry. Keep your hair, clothing and gloves away from moving parts.** Loose clothes, jewelry or long hair can be caught in moving parts.
- **If devices are provided for the connection of dust extraction and collection facilities, ensure these are connected and properly used.** Use of dust collection can reduce dust-related hazards.

Power Tool Use and Care

- **Do not force the power tool. Use the correct tool for your application.** The correct power tool will do the job better and safer at the rate for which it is designed.
- **Do not use the power tool if the switch does not turn it ON and OFF.** Any power tool that cannot be controlled with the switch is dangerous and must be repaired.
- **Disconnect the plug from the power source and/or remove the battery pack, if detachable, from the power tool before making any adjustments, changing accessories, or storing power tools.** Such preventive safety measures reduce the risk of starting the power tool accidentally.
- **Store idle tools out of the reach of children and do not allow persons unfamiliar with the power tool or these instructions to operate the power tool.** Power tools can be dangerous in the hands of untrained users.
- **Maintain power tools and accessories. Check for misalignment or binding of moving parts, breakage of parts and any other condition that may affect the power tool's operation. If damaged, have the power tool repaired before use.** Many accidents are caused by poorly maintained power tools.
- **Keep cutting tools sharp and clean.** Properly maintained cutting tools with sharp cutting edges are less likely to bind and are easier to control.
- **Use the power tool, accessories and tool bits etc. in accordance with these instructions, taking into account the working conditions and the work to be performed.** Use of the power tool for operations different from those intended could result in a hazardous situation.

- **Keep handles and grasping surfaces dry, clean and free from oil and grease.** Slippery handles and grasping surfaces do not allow for safe handling and control of the tool in unexpected situations.

Service

- **Have your power tool serviced by a qualified repair person using only identical replacement parts.** This will ensure that the safety of the power tool is maintained.

Specific Safety Information

WARNING

This section contains important safety information that is specific to this tool.

Read these precautions carefully before using the FlexShaft™ Drain Cleaning Machine to reduce the risk of electrical shock or other serious injury.

SAVE ALL WARNINGS AND INSTRUCTIONS FOR FUTURE REFERENCE!

Keep this manual with machine for use by the operator.

FlexShaft™ Drain Cleaning Machine Safety

- **Before using the tool, test the ground fault circuit interrupter (GFCI) provided with the power supply cord to insure it is operating correctly.** A properly operating GFCI reduces the risk of electrical shock.
- **Only use extension cords that are protected by a GFCI.** The GFCI on the machine power cord will not prevent electrical shock from extension cords.
- **Only grasp the rotating cable with gloves recommended by the manufacturer.** Latex or loose fitting gloves or rags can become wrapped around the cable and may result in serious personal injury.
- **Do not allow the cutter to stop turning while the cable is turning.** This can overstress the cable and may cause twisting, kinking or breaking of the cable and may result in serious personal injury.
- **One person must control both the cable and the switch.** If the cutter stops rotating, the operator must be able to turn the tool OFF to prevent the cable from twisting, kinking and breaking.
- **Use latex or rubber gloves inside the gloves recommended by the manufacturer, goggles, face shields, protective clothing, and respirator when chemicals, bacteria or other toxic or infectious substances are suspected to be in a drain line.** Drains may contain chemicals, bacteria and other substances that may cause burns, be toxic or infectious or may result in other serious personal injury.
- **Practice good hygiene. Do not eat or smoke while handling or operating the tool. After handling or operating drain cleaning equipment, use hot, soapy water to wash hands and other body parts exposed to drain contents.** This will help reduce the risk of health hazards due to exposure to toxic or infectious material.
- **Only use the Drain Cleaning Machine for the recommended drain sizes.** Using the wrong size drain cleaner can lead to twisting, kinking or breaking of the cable and may result in personal injury.
- **Keep glove covered hand on the cable assembly whenever the FlexShaft Machine is running.** This provides better control of the cable and helps prevent twisting, kinking and breaking of the cable and reduces the risk of injury.
- **Position machine cable outlet within 4' (1.2 m) of the drain inlet or properly support exposed cable assembly when the distance exceeds 4' (1.2 m).** Greater distances can cause control problems leading to twisting, kinking or breaking of the cable. Twisting, kinking or breaking cable may cause striking or crushing injuries.
- **Do not wear loose clothing or jewelry. Keep your hair and clothing away from moving parts.** Loose clothing, jewelry or hair can be caught in moving parts.
- **Do not operate this machine if operator or machine is standing in water.** Operating machine while in water increases the risk of electrical shock.
- **Do not use if there is the risk of contact with other utilities (such as natural gas or electric) during operation.** Visual

inspection of the drain with a camera is a good practice. Crossbores, improperly placed utilities and damaged drains could allow the chain knocker to contact and damage the utility. This could cause electrical shock, gas leaks, fire, explosion or other serious damage or injury.

- **Read and understand these instructions and the instructions and warnings for all equipment and materials being used before operating this tool to reduce the risk of serious personal injury.**

RIDGID Contact Information

If you have any question concerning this RIDGID® product:

- Contact your local RIDGID distributor.
- Visit RIDGID.com to find your local RIDGID contact point.
- Contact Ridge Tool Technical Service Department at ProToolsTechService@Emerson.com, or in the U.S. and Canada call 844-789-8665.

Description

The RIDGID® Model K9-306 FlexShaft™ Drain Cleaning Machine is designed to clean and descale 3" to 6" (75-150 mm) pipes and drain lines, up to 125' (38 m) in length.

A REV/O-OFF/FOR switch controls cable rotation and a pneumatic foot switch provides ON/OFF control of the motor. An integral Ground Fault Circuit Interrupter (GFCI) is built into the line cord.

The cable assembly is manually fed in and out of the drain and rotates at 2000 RPM. A chain knocker that expands to the pipe inside diameter is used to break up the blockage and clean the walls of the pipe. Chain knockers with carbide cutting tips are available for use on roots and cleaning the scale from the pipe wall. Plain chain knockers are for general use, including grease. The machine is equipped with an electronic torque limiter to reduce the likelihood of cable damage.

FlexShaft Drain Cleaners are well suited to use with inspection cameras during the drain cleaning process.

It is not recommended to clean glass, ceramic, porcelain or similar fixtures with the FlexShaft Drain Cleaners as it may damage the fixture.

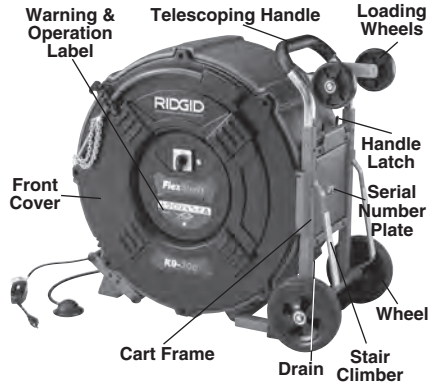


Figure 1A – RIDGID® FlexShaft Drain Cleaning Machine

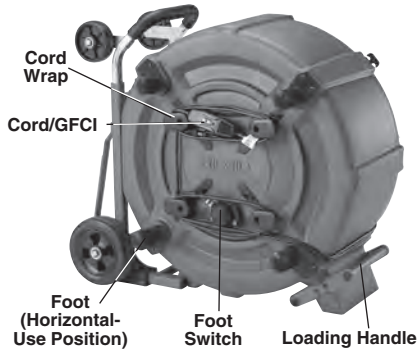


Figure 1B – RIDGID® FlexShaft Drain Cleaning Machine

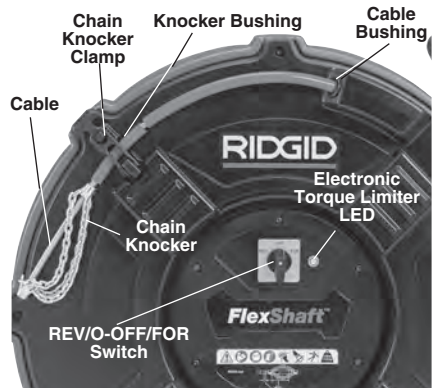


Figure 1C – Cable End/Chain Knocker

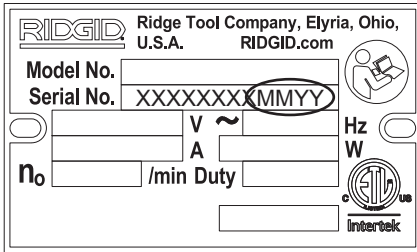


Figure 2 – Machine Serial Number

Serial number plate is located on cart side of housing. (See Figure 1A) The last 4 digits indicate the month (MM) and year (YY) of manufacture.

Specifications

Drain Capacity (Nom.)3" to 6" (75 – 150 mm)	
Cable Diameter (without Sheath)3/8" (9.5 mm)	
Cable Assy. Diameter (with Sheath)5/8" (15.9 mm)	
Cable Assembly Length125' (38.1 m)	
Motor		
Power 1.1 kW (1.5 HP)	1.1 kW (1.5 HP)
Voltage 110-120V	220-240V
Current 11A	8A

Refer to on product serial plate for information specific to unit.

Rotational Speed	...2000 RPM
Weight 166 lbs. (75 kg)
Dimension36.1" x 32.5" x 20.5" (918 mm x 826 mm x 521 mm) Handle down
Operating Temperature20°F to 140°F (-6°C to 60°C)

Sound Pressure (L _{PA})*96.1 dB(A), K=3
Sound Power (L _{PW})*91.8 dB(A), K=3

* Sound measurements are measured in accordance with a standardized test per Standard EN 62481-1.
 - Sound emissions may vary due to your location and specific use of these tools.
 - Daily exposure levels for sound need to be evaluated for each application and appropriate safety measures taken when needed. Evaluation of exposure levels should consider the time a tool is switched off and not in use. This may significantly reduce the exposure level over the total working period.

Standard Equipment

Refer to the RIDGID catalog for details on equipment supplied with specific drain cleaning machine catalog numbers.

NOTICE This machine is made to clean drains. If properly used it will not damage a drain that is in good condition and properly designed, constructed and maintained. If the drain is in poor condition, or has not been properly designed, constructed and maintained, the drain cleaning process may not be effective or could cause damage to the drain. The best way to determine the condition of a drain before cleaning is through visual inspection with a camera. Improper use of this drain cleaning machine can damage the drain cleaning machine and the drain. This machine may not clear all blockages.

Pre-Operation Inspection

▲ WARNING



Before each use, inspect your Drain Cleaning Machine and correct any problems to reduce the risk of serious injury from electric shock, twisted or broken cables, chemical burns, infections and other causes and prevent Drain Cleaning Machine damage.

Always wear safety glasses, and other appropriate protective equipment when inspecting your Drain Cleaning Machine.

1. Make sure that the drain cleaning machine is unplugged and inspect the power cord, Ground Fault Circuit Interrupter (GFCI) and plug for damage. If the plug has been modified, or if the cord is damaged, to avoid electrical shock, do not use the machine until the cord has been replaced by a qualified repair person.
2. Clean the machine, including handles and controls. This aids inspection and helps prevent the machine or control from slipping from your grip. Clean and maintain the machine per the maintenance instructions.
3. Inspect the machine for:
 - Proper assembly and completeness.
 - Any broken, worn, missing, misaligned or binding parts.
 - Presence and readability of the warning label (see Figure 3).

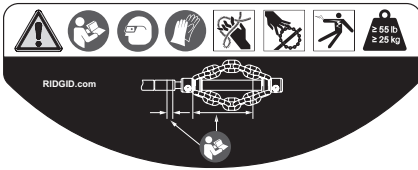


Figure 3 – Warning Label

- Smooth and free movement of the cable assembly in and out of the machine.
- Any condition which may prevent safe and normal operation.

If any problems are found, do not use the drain cleaning machine until the problems have been repaired.

4. Clean any debris from the cable assembly and chain knockers. Inspect sheath for wear and damage. There should not be any cuts, kinks, breaks or excessive wear. Inspect the cable near the chain knocker. Cable assemblies should not be bent or deformed. Cable strands should be tight to one another without separation. Inspect chain knocker for damaged or lost carbide cutting tips (if equipped) and wear of the chain itself. If chain links are worn more than $\frac{1}{4}$ through or damaged, replace the chain knocker. Replace worn and damaged equipment before using drain cleaning machine.

Confirm that the chain knocker is properly set up and is secure on the cable.

5. Inspect and maintain any other equipment being used per its instructions to make sure it is functioning properly.
6. Make sure that the REV/O-OFF/FOR switch is set to the O-OFF position.
7. With dry hands, plug cord into properly grounded outlet. Test the GFCI provided in the electrical cord to ensure that it is operating correctly. Depress the GFCI TEST button -the machine should not operate. Depress the RESET button – the machine should operate. If GFCI is not functioning properly, unplug the cord and do not use the drain cleaning machine until the GFCI has been repaired.
8. With the inspection complete, with dry hands, unplug the machine.

Machine and Work Area Set-up

⚠ WARNING



Set up the Drain Cleaning Machine and work area according to these procedures to reduce the risk of injury from electric shock, fire, machine tipping, twisted or broken cables, chemical burns, infections and other causes, and prevent machine damage.

Always wear safety glasses and other appropriate protective equipment when setting up your Drain Cleaning Machine.

1. Check for an appropriate work area. Operate in a clear level, stable, dry location. Do not use the Drain Cleaning Machine while standing in water.
2. Inspect the drain to be cleaned. If possible, determine the access point(s) to the drain, the size(s), length(s), and material(s) of the drain, distance to mainlines, the nature of the blockage, presence of drain cleaning chemicals or other chemicals, etc.

If chemicals are present in the drain, it is important to understand the specific safety measures required to work around those chemicals. Contact the chemical manufacturer for required information. Confirm no other utilities are present in the drain or area to reduce the risk of damage. Visual inspection of the drain with a camera is a good practice.

If needed, remove fixture (water closet, etc.) to allow access to drain. Do not run the chain knocker in a fixture. This could damage the FlexShaft Machine or the fixture.

3. Determine the correct equipment for the application. See *Specifications*. Drain Cleaning Machines for other applications can be found by consulting the Ridge Tool Catalog, online at RIDGID.com.
4. Make sure all equipment has been properly inspected.
5. If needed, place protective covers in the work area. The drain cleaning process can be messy.

6. Transport the drain cleaning machine to the work area along a clear path. Adjust handle if necessary (*Figure 4*). Move handle latches together and move telescoping handle to desired position. Confirm that the handle latches engage and the handle is securely held in position. If handle is moved past latch holes, the handle buttons will prevent the handle from pulling out. If this occurs, depress buttons to move handle.



Figure 4 – Adjusting Telescoping Handle



Figure 5 – Example of Extending Drain Access to within 4' (1.2 m) of Machine Cable Outlet

7. Place the Drain Cleaning Machine as shown in *Figure 5*. Machine should sit squarely and firmly on the ground.
8. Position the Drain Cleaning Machine so that the cable outlet is within 4' (1.2 m) of the drain access. Greater distances from the drain access increases the risk of the cable assembly twisting or kinking. If the FlexShaft Machine cannot be placed with the cable outlet within 4' (1.2 m) of the drain access, extend the drain access with similar sized pipe and fittings (see *Figure 5*). Improper cable assembly support can allow the cable to kink and twist and can damage the cable or injure the operator. Extending the drain back to the Drain Cleaning Machine also makes it easier to feed cable assembly into drain.
9. Unclamp the chain knocker and pull approximately 5' (1.5 m) of cable assembly out of the machine.
10. Mark the sheath to indicate when the chain knocker is approaching the drain opening when withdrawn. This can be done with tape. This reduces the risk of the chain knockers coming out of the drain and whipping around. The distance depends on the configuration of the drain, but should be at least 5' (1.5 m) from the chain knocker.
11. Ensure chain knocker is properly installed (see *Installing/Adjusting Chain Knocker*).
12. Insert chain knocker end at least 1' (0.3 m) into drain.
13. Evaluate the work area and determine if any barriers are needed to keep bystanders away from the drain cleaning machine and work area. The drain cleaning process can be messy, and bystanders can distract the operator.
14. Position the foot switch for easy accessibility. You must be able to hold and control the cable, control the foot switch, and reach the REV/O-OFF/FOR switch.
15. Confirm that the REV/O-OFF/FOR switch is in the O-OFF position.
16. Run the cord along a clear path. With dry hands, plug the drain cleaner into a properly grounded outlet. Some GFCIs may need to be reset every time they are plugged in. Reset GFCI if needed. Keep all connections dry and off the ground. If the power cord is not long enough, use an extension cord that:

- Is in good condition.
- Has a plug similar to that supplied on the drain cleaner.
- Is rated for outdoor use and contains a W or W-A in the cord designation (i.e. SOW), or complies with H05VV-F, H05RN-F types or IEC type design (60227 IEC 53, 60245 IEC 57).
- Has sufficient wire size. For extension cords up to 50' (15,2 m) long use 16 AWG (1,5 mm²) or heavier. For extension cords 50'-100' (15,2 m – 30,5 m) long use 14 AWG (2,5 mm²) or heavier.

When using an extension cord, the GFCI on the drain cleaner does not protect the extension cord. If the outlet is not GFCI protected, it is advisable to use a plug in type GFCI between the outlet and the extension cord to reduce the risk of shock if there is a fault in the extension cord.

17. Move the REV/O-OFF/FOR Switch to the O-OFF position, and with dry hands unplug the machine.

Installing/Adjusting Chain Knocker

1. Select proper chain knocker for the conditions.

Chain knockers are sized based on collar inside diameter and are designed for specific cable sizes. 3/8" chain knockers are used on 3/8" cable, etc. Do not use a larger size chain knocker on a smaller cable (for instance 1/2" on 3/8"). See *Figure 6 and Collar Distance Chart*.

Chain knockers without carbide cutting tips can be used in common pipe types. These chain knockers work well in grease and similar blockages.

Chain knockers with carbide cutting tips are used for removing scale from the inside of the pipe and can be used for roots. Carbide cutting tips are used for aggressive cleaning and could damage pipe, especially softer materials (such as plastics and Orangeburg), thin walled pipe, or if the chain knocker is kept in one position for an extended time.

Do not use chain knockers for cleaning in glass, ceramic, porcelain or similar material fixtures or pipes. They could be damaged.

2. *Figure 7* shows a schematic of proper chain knocker installation and adjustment.

There are two key points when installing/adjusting chain knockers.

Collar Distance: Set the chain knocker collars the correct distance apart ("Collar Distance") to allow the chains to spread an appropriate amount when rotated to clean the pipe walls. Collar Distance varies based on cable size and pipe diameter, and is generally set using a spacer made from sheath ("Collar Spacer"). If additional flexibility is required to navigate a bend, the collar spacer can be removed and the collar distance can be set with a tape measure. Operating without a collar spacer makes it more likely for the cable to flip over in use and be damaged. **Do not operate carbide cutters without a collar spacer to reduce risk of cable damage.**

Exposed Cable: Minimize the amount of exposed cable (cable not covered by sheath). The more exposed cable there is, the more likely the cable will flip over in use and be damaged. Exposed cable should be limited to no more than ¼" (6 mm), and is set with a bushing made from sheath ("Knocker Bushing").

Sheath is supplied with the drain cleaner and is available as a service part to allow configuration as needed for your specific application. Only use RIDGID FlexShaft Drain Cleaner sheath of the correct size for the cable. Any time sheath is cut, it should be cut cleanly and squarely. Do not damage the cable when cutting the sheath.

3. Chain knockers are retained to the cable with set screws that use a supplied 3 mm hex key. Loosen set screws and remove chain knocker, spacer and bushing from cable.
4. With no knocker installed, hold cable end away from your body or others. Run machine in REVERSE for 5 seconds to maximize exposed cable. Place switch in O-OFF position and unplug machine. Hold sheath and pull on cable to remove slack and expose maximum amount of cable.
5. Inspect the sheath end for damage or wear. The sheath end should be square and clean. If needed, the sheath end can be trimmed slightly.
6. If needed, cut a section of sheath to use as the collar spacer to the appropriate size (See *Collar Distance Chart*).

K9-306 MACHINE



CATALOG NO.	66618	66623	66628	66633	66638	66643	66648	66653	66658
DESCRIPTION	K9-306 3"	K9-306 4"	K9-306 6"	K9-306 3" CARBIDE	K9-306 4" CARBIDE	K9-306 6" CARBIDE	K9-306 - 3" PENETRATING HEAD	K9-306 - 4" PENETRATING HEAD	K9-306 - 6" PENETRATING HEAD
PIPE SIZE	3" (75 mm)	4" (105 mm)	5"-6" (125-150 mm)	3" (75 mm)	4" (105 mm)	5"-6" (125-150 mm)	3" (70 mm)	4" (100 mm)	5"-6" (125-150 mm)
PIPE TYPE	COPPER	☑	☑	☑	☑	☑	☑	☑	☑
	GALVANIZED	☑	☑	☑	☑	☑	☑	☑	☑
	CAST IRON	☑	☑	☑	☑	☑	☑	☑	☑
	PVC	☑	☑	☑					
	ABS	☑	☑	☑					
	ORANGEBURG	☑	☑	☑					
	CORRUGATED	☑	☑	☑					
	CLAY	☑	☑	☑					
	GREASE	☑	☑	☑	☑	☑	☑	☑	☑
BLOCKAGE	SOFT BLOCKAGE	☑	☑	☑	☑	☑	☑	☑	☑
	SCALING				☑	☑	☑	☑	☑
	ROOTS				☑	☑	☑	☑	☑
	WIPES						☑	☑	☑
	INCLUDED WITH KIT		☑	☑					

Figure 6 – Chain Knecker Selection Chart

Machine	Cable Size	Number of Chains	Knocker			Recommended Collar Distance
			Number of Links/Chain	Nominal Pipe Size		
K9-306	3/8"	3	11	3" (75 mm)	4" (102 mm)	
		3	13	4" (100 mm)	4 1/2" (114 mm)	
		3	17	6" (150 mm)	5" (127 mm)	

Collar Distance Chart

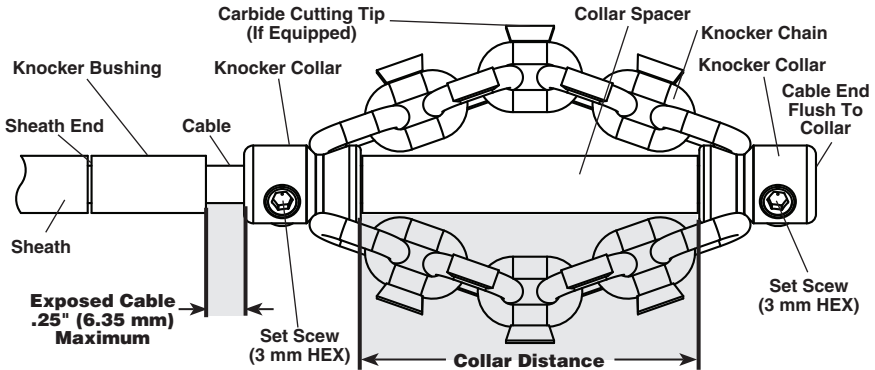


Figure 7 – Chain Knocker Installation/Adjustment

Collar distance can be modified to your preference for the specific pipe/application. As collar distance increases, the diameter of the chains decreases, and vice versa. Improperly set collar distance can reduce the efficiency of pipe cleaning.

- Test fit the chain knocker, knocker bushing and collar spacer on the cable as shown in *Figure 7*. Chains should be straight – do not assemble with chains twisted. To prevent excessive cable end wear, cable end should be flush with the end of the collar.

Check length of exposed cable. To reduce the risk of cable flip over and damage, exposed cable cannot exceed 1/4" (6 mm). If needed, cut a knocker bushing from sheath to limit exposed cable. **Always use a knocker bushing to reduce wear on the sheath end.**

- With the chain knocker correctly installed on the cable as shown in *Figure 7*, use the supplied hex wrench to securely tighten the collar set screws. If the set screws are not secure, the chain knocker could slip and damage the cable or be lost down the drain.

as cleaning the inside of the pipe, centering the chain knocker in the pipe and spreading lining compound. See the *specific brush information* for the types of uses it is appropriate for.

Brushes can be assembled in a variety of configurations, with some options shown in *Figure 8*.

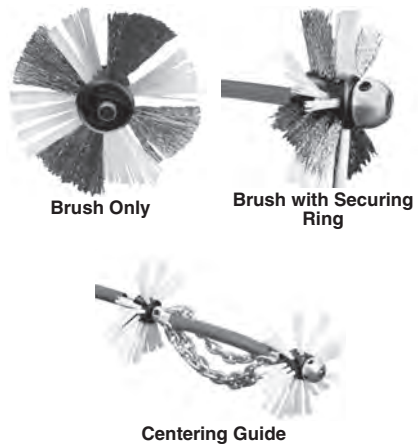


Figure 8 – Example Brush Configurations

Installing Brushes

Brushes are available for various uses, such

Installation of brushes is similar to the installation of chain knockers. The collar of the brush is placed over the cable and retained by securely tightening the set screws. When at the end of the cable, the cable end is flush with the brush collar. Brush securing rings are available to improve brush retention if set screws loosen in use.

As with chain knockers, minimize the amount of exposed cable (cable not covered by sheath). The more exposed cable there is, the more likely the cable will flip over in use and be damaged. Limit exposed cable to no more than ¼" (6 mm), set with a bushing made from sheath ("Knocker Bushing").

Installing Penetrating Head

Penetrating heads are available to help create a hole in a blockage to get the drain flowing and allow the chain knocker into an area. See Figure 9 for installation information.

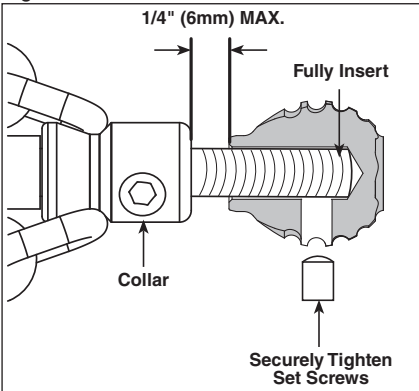


Figure 9 – Penetrating Head Installation

Operating Instructions

⚠ WARNING



Always use safety glasses and gloves in good condition while handling or using. Use latex or rubber gloves, face shields, protective clothing, respirators or other appropriate protective equipment when chemicals, bacteria or other toxic or infectious substances are suspected to be present to reduce the risk of infections, burns or other serious personal injury.

Do not allow the chain knocker/end of cable to stop turning while cable assembly is turning. This can overstress the cable and may cause

twisting, kinking or breaking of the cable assembly and may result in serious personal injury.

Keep a hand on the cable assembly whenever the FlexShaft Machine is running. This provides better control of the cable and helps prevent twisting, kinking and breaking of the cable and reduces the risk of injury.

Position the FlexShaft Machine cable outlet within 4' (1.2 m) of the drain inlet or properly support exposed cable assembly when the distance exceeds 4' (1.2 m). Greater distances can cause control problems leading to twisting, kinking or breaking of the cable. Twisting, kinking or breaking cable may cause striking or crushing injuries.

One person must control both the cable assembly and foot switch. If the cable stops rotating, the operator must be able to turn the tool OFF to prevent twisting, kinking and breaking of the cable and reduce the risk of injury.

Follow operating instructions to reduce the risk of injury from twisted or broken cable, cable ends whipping around, machine tipping, chemical burns, infections and other causes.

1. Make sure that machine and work area is properly set-up and that the work area is free of bystanders and other distractions.
2. Pull cable assembly from the machine and feed into drain. At least 1' (0.3 m) of cable must be in drain so that the chain knocker will not come out of the drain and whip around when the machine is started.

Directly route the cable assembly from the machine cable outlet to the drain opening, minimizing exposed cable and changes in direction. Do not tightly bend the cable assembly – this can increase the risk of twisting or breaking.

If using a camera to view the drain cleaning process, the camera can be fed in at the same time. Typically the cable assembly and the camera push rod can be gripped and advanced/retrieved at the same time. Keep the camera at least 1.5' (0.5 m) behind the chain knocker.

NOTICE Do not allow the spinning chain knocker to hit the camera head/push rod. It can damage it.

3. Assume a proper operating position to help maintain control of the cable assembly and machine (see Figure 10):
 - Be sure you can quickly release the foot switch.
 - Your gloved hands must be on the cable assembly to control and support as the cable assembly is fed into the drain and blockage.

- Be sure that you have good balance, do not have to overreach, and cannot fall on machine, drain, etc.
- You must be able to reach the REV/O-OFF/FOR switch.

This operating position will help to maintain control of the cable assembly and FlexShaft Machine.



Figure 10 – In Operating Position

4. Confirm that at least 1' (0.3 m) of cable assembly is in the drain.
5. Grasp the exposed cable assembly with both gloved hands equally spaced and pull 6"-12" (150mm - 300mm) of cable out of the drum so that there is a slight bow in the cable. Gloved hands must be on the cable to control and support the cable. Improper cable support can allow the cable to kink or twist and can damage the cable or injure the operator. Make sure that the cable outlet of the drain cleaner is within 4' (1.2 m) of the drain opening (Figure 10).
6. Move the REV/O-OFF/FOR switch to FOR (Forward) position.
7. Depress the foot switch to start the machine. There will be a slight delay before the cable starts to rotate. The person controlling the cable must also control the foot switch. Do not operate the drain cleaner with one person controlling the cable and another person controlling the foot switch. This can lead to twisting, kinking and breaking of the cable.
8. The FlexShaft Drain Cleaning Machine utilizes high rotational speed and low torque to clean drains. FlexShaft cable assemblies are more flexible than other types of drain cleaning cables. The FlexShaft machine is best used by applying light pressure and slowly working the chain knocker into the blockage. **It's important to let the speed of the chain knocker clean the drain – do not force chain knockers into blockages.**
9. Advancing/Retrieving the Cable Assembly – FlexShaft Lubricant

In some cases it may be beneficial to apply RIDGID FlexShaft lubricant to the outside of the sheath when feeding the cable down the drain. This can make it easier to advance the cable assembly down the drain and allow greater cleaning distance. If doing so, place a clean towel with lubricant on it in the palm of the gloved hand used for advancing the cable assembly, and apply lubricant as feeding the cable assembly (Figure 11). Add lubricant to the towel as needed during the process. RIDGID FlexShaft markings are printed on the sheath every 5' (1.5 m) to aid in determining how much cable assembly has been fed from the machine.

Only use RIDGID FlexShaft lubricant. Other lubricants may not be appropriate for use in a drain and could contaminate the water.

When retrieving the cable assembly, it is good practice to use a towel to wipe dirt and debris from the cable sheath as it is pulled from the drain and fed back into the drum.
10. Rotating the Chain Knocker

Generally the chain knocker is rotated for cleaning while withdrawing the cable.

Only rotate the cable/chain knocker when the chain knocker is at least 1' in the drain. To rotate the cable, firmly grip the cable and depress the foot switch. The person controlling the cable assembly must also control the foot switch. Do not operate the machine with one person controlling the cable assembly and another person controlling the foot switch. Do not allow cable assembly to build up outside the drain, bow or curve. This can lead to twisting, kinking and breaking of the cable. At any time, release the foot switch to stop cable rotation. When clearing blockages, operate the cable at full speed for best cleaning. **Do not force the chain knocker into blockages.** Rotating the chain knocker in FORWARD or RE-

VERSE for a short time while advancing the cable assembly can help it negotiate the drain and blockages.



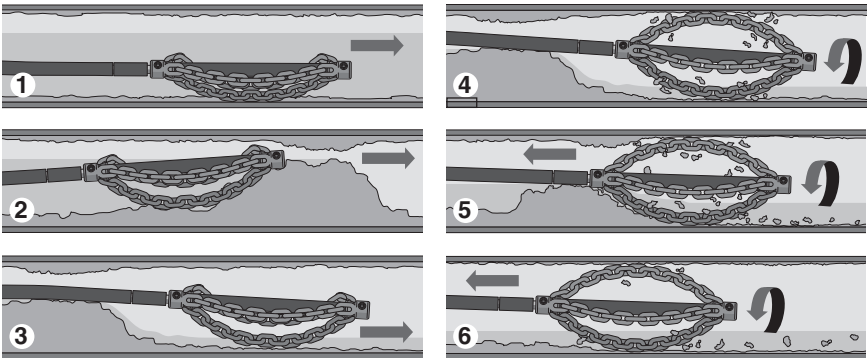
Figure 11 – Applying Lubricant to the Cable Sheath

1. Advance the cable assembly into the drain, generally not rotating. Grasp the sheath near where it exits the machine housing. Pull 6" to 12" (150 to 300 mm) of cable assembly out of the FlexShaft

Machine so that there is a slight bow in the cable. Gloved hand must be on cable assembly to control and support. Improper cable support can allow the cable assembly to kink or twist and can damage the cable or injure the operator. Feed the cable assembly into the drain (Figure 12, Step 1).

12. Continue to advance the cable assembly until the resistance is encountered. Carefully work the chain knocker through the blockage. **Do not force the cable assembly – if the chain knocker cannot turn, it cannot clean the drain.** Pay attention to how far the cable has gone. Do not overrun the cable into a larger drain. This can cause the cable to knot up or cause other damage (Figure 12, Step 2).
13. Once the drain is open, if possible, start a flow of water down the drain to flush the debris out of the line and help clean the cable assembly as it is retrieved. This can be done by turning on a faucet in the system or other methods. Pay attention to the water level, as the drain could plug again (Figure 12, Step 3).
14. With the chain knocker past the blockage/area to be cleaned and REV/O-OFF/FOR switch in FOR position, depress the

The general operating steps for the FlexShaft Drain Cleaning Machines (see below):



1. Advance the chain knocker (generally not rotating) to the area of the drain that needs cleaned.
2. If there is a blockage, pass the chain knocker through the blockage.
3. If possible, start a flow of water through the drain to carry cuttings and debris away as the drain is cleaned.
4. Rotate the cable/chain knocker at full speed.
5. Continue to rotate knocker. Gradually withdraw the cable assembly so that the chain knocker can break up the blockage.
6. Continue to gradually withdraw the cable assembly while rotating so that the chain knocker can clean the walls of the drain.

Figure 12 – General Operating Steps

foot switch to rotate the chain knocker. Slowly pull the cable assembly from the drain, allowing the rotating chain knocker to clean the drain walls and break up the blockage (Figure 12, Steps 4 & 5). **If the cable stops turning, do not continue operating the machine.** This may cause the cable to twist and kink. At any time, release the foot switch to stop cable rotation. Rotating the cable in REVERSE can help clean the opposite side of the pipe.

Monitor the feedback from the feel of the cable assembly in your hand and the sound of the motor/knocker in the drain. It may be necessary to move the chain knocker out of the blockage to allow it to come back up to speed.

If the chain knocker becomes stuck, the electronic torque limiter will shut off the motor to reduce the likelihood of cable damage. The torque limiter LED will flash to indicate this. Release the foot switch to allow motor to restart. Place the REV/O-OFF/FOR switch to allow opposite rotation. Grasp the cable with both gloved hands, press the foot switch for several seconds and pull on the cable until it is free of the blockage. Repeat if necessary. In some cases, it may be possible to pull the cable assembly and the blockage out of the drain by hand. If this is done, be careful to not damage the cable assembly.

Place the REV/O-OFF/FOR switch in the FOR position and continue cleaning the drain.

NOTICE Do not allow the spinning chain knocker to hit the camera head/push rod. It can damage it.

15. Continue to clean the rest of the drain while retrieving the cable. Once the drain has been cleaned, retrieve the cable and feed back onto the drain cleaning machine. Pay close attention, as the cable may lodge in a blockage while being retracted (Figure 12, Step 6).
16. Watch for your sheath marking as the cable assembly is retrieved. Release the foot switch when the chain knocker nears drain opening. Do not pull the chain knocker from drain while it is rotating. The chain knocker can whip around and could cause serious injury.
17. If needed for complete cleaning, repeat the above procedure.
18. Pull any remaining cable assembly from the line by hand and push back into the drum. Prepare the machine for transport.

Using Machine With Brushes

Using the machine with a brush is similar to use with a chain knocker. Brushes are used for finer cleaning of the pipe, they are not used for blockage removal. Remove blockages and heavy debris with a chain knocker or other methods first. While chain knockers are most typically rotated while withdrawing the cable from the drain, brushes are typically used while advancing the cable. This is because the brushes typically fill the drain diameter and push debris in front of them. See Figure 13 for general steps.

Brushes can also be used in conjunction with chain knockers such as centering devices or for combined cleaning. Usage depends on the exact circumstances and is left to the judgment of the user.

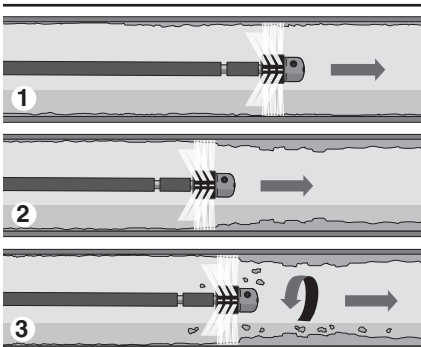


Figure 13 – Cleaning Drain Walls With Brush

1. Advance the brush (generally not rotating) into the drain.
2. When the area to be cleaned is reached, if possible, start a flow of water through the drain to carry debris away during cleaning.
3. Rotate the cable/brush at full speed and gradually advance the cable into the drain to clean the walls as desired.

Draining Drum

Open drain plug (Figure 14). Lean the machine back into the wheels and allow to drain. Close plug when finished.



Figure 14 – Drain Plug

Transportation

Feed all of cable assembly into the drum and secure the chain knocker with the clamp. Wrap cord and foot switch hose around the cord wrap. See Figure 15. Before moving the machine, make sure that the telescoping handle is secured into the extended position for transport. If the machine needs to be lifted, use proper lifting techniques. Use care moving equipment on stairs, and be aware of possible slip hazards.



Figure 15 – Preparing for Transport

Loading

With the telescoping handle locked into the extended position, place machine with wheels toward the vehicle. Lean the machine back and rest the loading wheels on the vehicle bed. Use loading handles (Figure 16) to lift the machine and slide it onto the vehicle

(Figure 17). Be aware of the machine weight. Use proper lifting techniques – more than one person may be required.



Figure 16 – One Transport Method



Figure 17 – Lifting Unit Onto Vehicle

Storage

⚠ WARNING The Drain Cleaning Machine must be kept dry and indoors or well covered if kept outdoors. Store the machine in a locked area that is out of reach of children and people unfamiliar with drain cleaning machines. This machine can cause serious injury in the hands of untrained users.

Maintenance Instructions

⚠ WARNING
REV/O-OFF/FOR switch should be O-OFF and machine unplugged before performing any maintenance.

Always wear safety glasses and other appropriate protective equipment when performing any maintenance.

Cleaning

It is good practice to use a towel to wipe dirt and debris from the sheath as the cable assembly is pulled from the drain and fed back into the drum. This will help to keep the drum clean and reduce the likelihood of the cable assembly sticking in the drum. If needed, cable assembly can be pulled from the machine and the housing opened for flushing/cleaning.

Clean the machine as needed with hot soapy water and/or mild disinfectants.

Do not submerge or flush the machine with water. Do not allow water to enter motor or other electrical components. Make sure unit is completely dry before plugging in and using.

Lubrication

The FlexShaft Drain Cleaning Machines are lubricated for life from the factory.

Cable Re-termination

The FlexShaft cable cannot be shortened or re-terminated. If the cable is damaged, it must be replaced. Do not use a damaged cable.

Cable Assembly Replacement

1. Remove chain knocker from cable assembly.
2. Use a 4 mm hex wrench to loosen the front cover fasteners (they are retained to the cover and frame). Lift the cover and unplug the motor wire connector (Figure 18). Feed cable through bushing into machine. Remove the front cover.

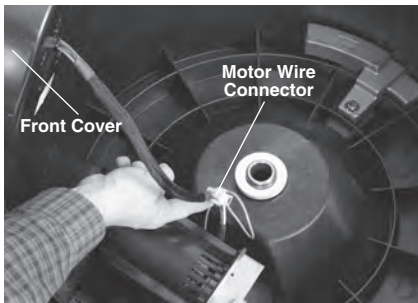


Figure 18 – Drain Cleaner Housing Opened

3. Loosen sheath clamp screws (Figure 19 A) two turns, but do not remove.
4. Remove the cable retention clamp fasteners and retention clamp (Figure 19).

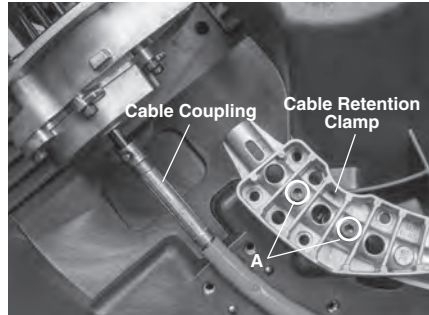


Figure 19 – Cable Installation

5. Remove the retaining ring and pin from the cable coupling.
 - Disconnect coupling from the gearbox shaft. Remove the entire cable assembly from the machine.
 - Insert cable coupling through the drum channel and install the coupling over the gearbox shaft. Securely install the pin and retaining ring. Do not load cable yet.
 - Slide end of cable retention clamp over the cable and into the drum channel.
 - Loosely install the 4 cable retention clamp fasteners (see Figure 19). Make sure that the cable sheath is within $\frac{1}{4}$ " (6.4 mm) of the cable coupling. When looking through the viewport, the end of the sheath must be between the lines (see Figure 20).

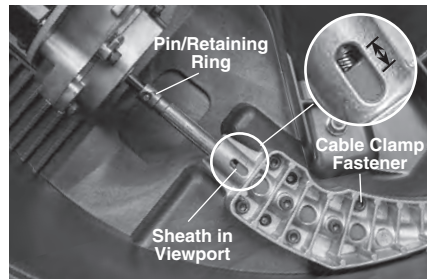


Figure 20 – Sheath Position In Viewport

6. Securely tighten all clamp fasteners.

7. Confirm end of sheath is between the lines in the viewport. Securely tighten the sheath clamp screws.
8. Feed the cable into the drum channel.
9. Feed the end of the cable through the cable bushing in the front cover and securely install the front cover.
10. With no knocker installed, hold cable end away from your body or others. Run machine in REVERSE for 5 seconds to maximize exposed cable. Place switch in O-OFF position and unplug machine.

If there is no cable exposed, cut back sheath to expose 1"- 2" (25 - 50 mm) of cable. Hold sheath and pull on cable to remove slack and expose the maximum amount of cable. Cut the sheath back to expose 7 3/4" (197 mm) of cable measured from the end of the cable.

Go to *Installing/Adjusting the Chain Knocker* section, *step 5* to complete chain knocker installation.

Motor Brush Inspection/Change

Brushes should be inspected every 6 months and changed when shorter than 1/2" (13 mm).

1. See *Cable Assembly Replacement*, *step 2* to remove cover.
2. Use a screwdriver to remove the brush cover, *Figure 21*. Remove brush and inspect. If there are any signs of damage or shorter than 1/2" (13 mm), replace brushes.
3. Reverse process to reassemble.
4. Place chain knocker in drain and allow to run 15 minutes in FORWARD and REVERSE, to break in brushes.

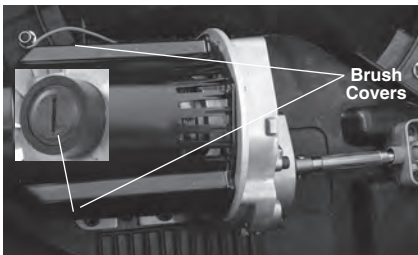


Figure 21 – Inspecting/Changing Motor Brushes

Electronic Torque Limiter/ Motor Thermal Overload

The machine is equipped with an Electronic Torque Limiter/Motor Thermal Overload. If the motor draws excessive current, the motor will shut off to reduce the likelihood of cable damage and the Electronic Torque Limiter LED will flash. Release the foot switch to allow the motor to restart. See the *Operating Instructions* section for information for removing the cable from a blockage.

If the Electronic Torque Limiter LED is on continuously, the motor has overheated. To reset the thermal overload, unplug machine, turn the REV/O-OFF/FOR switch to the O-OFF position and let the machine cool for at least 15 minutes. If the machine will not start or continuously trips during normal operation, take machine for service.

Troubleshooting

SYMPTOM	POSSIBLE REASON	SOLUTION
Cable kinking or breaking.	Cable assembly is being forced.	Do not force cable assembly. Follow operating instructions.
	Incorrect FlexShaft Machine or chain knocker used for pipe diameter.	Use correct FlexShaft Machine or chain knocker for pipe size.
	Cable assembly exposed to acid/corroded.	Clean cable assembly routinely.
	Cable/sheath worn out.	Replace worn cable assembly.
	Cable assembly not properly supported.	Support cable assembly properly, see instructions.
Cable turns in one direction but not the other.	Chain knocker not properly set up/adjusted.	Properly set up/adjust chain knocker, see <i>instructions</i> .
	Faulty REV/O-OFF/FOR switch.	Have switch replaced. Take for service.
Ground Fault Circuit Interrupter (GFCI) trips when machine is plugged in.	Damaged power cord.	Have cord replaced. Take for service.
	Short circuit in motor.	Take for service.
	Faulty Ground Fault Circuit Interrupter (GFCI).	Have cord replaced. Take for service.
	Moisture in motor, switch box or on plug.	Take for service..
FlexShaft Machine wobbles or moves while cleaning drain.	Ground not level.	Operate in a clear, level and stable location.
Motor does not turn on with switch.	GFCI needs to be reset.	Reset GFCI.
	Motor has overheated. Electronic torque limiter LED ON.	See " <i>Motor Thermal Overload</i> ".
	Electronic torque limiter LED flashing.	See " <i>Electronic Torque Limiter</i> ".

Service and Repair

⚠ WARNING

Improper service or repair can make the machine unsafe to operate.

The "*Maintenance Instructions*" will take care of most of the service needs of this machine. Any problems not addressed by this section should only be handled by a RIDGID Authorized Independent Service Center. Use only RIDGID service parts.

For information on your nearest RIDGID Authorized Independent Service Center or any service or repair questions see *Contact Information* section in this manual.

Optional Equipment

⚠ WARNING

To reduce the risk of serious injury, only use accessories specifically de-

signed and recommended for use with the RIDGID FlexShaft Drain Cleaning Machine, such as those listed.

Catalog No.	Description
66618	Knocker, 3/8" cable, 3" pipe, 3 chain
66623	Knocker, 1/2" cable, 4" pipe, 3 chain
66628	Knocker, 3/4" cable, 6" pipe, 3 chain
66633	Knocker, 1/2" cable, 3" pipe, 3 chain, carbide tip
66638	Knocker, 3/8" cable, 4" pipe, 3 chain, carbide tip
66643	Knocker, 1/2" cable, 6" pipe, 3 chain, carbide tip
66648	Knocker, 3/8" cable, 3" pipe, 3 chain, carbide w/penetrating head
66653	Knocker, 1/2" cable, 4" pipe, 3 chain, carbide w/penetrating head
66658	Knocker, 3/4" cable, 6" pipe, 3 chain, carbide w/penetrating head
64338	FlexShaft Lubricant, 8 oz, 12 per case
66663	3/8" Assembly, cable, sheath, couplings, 125'
66668	FlexShaft 1/2" sheath stock, 12'

For a complete listing of RIDGID equipment available for these tools, see *the Ridge Tool*

Catalog online at RIDGID.com or see Contact Information.

Disposal

Parts of these tools contain valuable materials and can be recycled. There are companies that specialize in recycling that may be found locally. Dispose of the components in compliance with all applicable regulations. Contact your local waste management authority for more information.



For EC Countries: Do not dispose of electrical equipment with household waste!

According to the European Guideline 2012/19/EU for Waste Electrical and Electronic Equipment and its implementation into national legislation, electrical equipment that is no longer usable must be collected separately and disposed of in an environmentally correct manner.

Dégorgeoir électrique FlexShaft™ K9-306



⚠ AVERTISSEMENT !

Lisez soigneusement ce manuel avant d'utiliser l'appareil. Le non-respect des consignes ci-après augmenterait les risques de choc électrique, d'incendie et/ou de graves lésions corporelles.

Table des matières

Symboles de sécurité	23
Consignes générales de sécurité	
Sécurité des lieux.....	23
Sécurité électrique.....	24
Sécurité individuelle.....	24
Utilisation et entretien de l'appareil.....	24
Service après-vente.....	25
Consignes de sécurité spécifiques	25
Sécurité du dégorgeoir FlexShaft™.....	25
Coordonnées RIDGID	26
Description	26
Caractéristiques techniques	27
Equipements de base.....	28
Inspection préalable	28
Installation de l'appareil et du chantier	29
Montage et réglage des chaînes de curage.....	31
Montage des brosses.....	33
Montage de la tête pénétrante.....	34
Mode d'emploi	34
Utilisation de l'appareil avec brosses.....	37
Vidange du tambour.....	38
Transport de l'appareil.....	38
Remisage	39
Entretien de l'appareil	39
Nettoyage.....	39
Lubrification.....	39
Câbles endommagés.....	39
Remplacement des câbles.....	39
Inspection et remplacement des balais moteur.....	40
Limiteur de couple électronique / protection thermique du moteur.....	41
Dépannage.....	41-42
Révisions et réparations.....	42
Accessoires	42
Recyclage	42
Déclaration de conformité UKCA	Page de garde (recto)
Garantie à vie	Page de garde (verso)

*Traduction de la notice originale

Symboles de sécurité

Les symboles et mots clés utilisés à la fois dans ce mode d'emploi et sur l'appareil lui-même servent à signaler d'importants risques de sécurité. Ce qui suit permettra de mieux comprendre la signification de ces mots clés et symboles.



Ce symbole sert à vous avertir de risques d'accident potentiels. Le respect des consignes qui le suivent vous permettra d'éviter les risques d'accident grave ou potentiellement mortel.

⚠ DANGER

Le terme DANGER signifie une situation dangereuse qui, faute d'être évitée, provoquerait la mort ou de graves blessures corporelles.

⚠ AVERTISSEMENT

Le terme AVERTISSEMENT signifie une situation dangereuse potentielle qui, faute d'être évitée, serait susceptible d'entraîner la mort ou de graves blessures corporelles.

⚠ ATTENTION

Le terme ATTENTION signifie une situation dangereuse potentielle qui, faute d'être évitée, serait susceptible d'entraîner des blessures corporelles légères ou modérées.

AVIS IMPORTANT

Le terme AVIS IMPORTANT indique des informations concernant la protection des biens.



Ce symbole indique la nécessité de bien se familiariser avec la notice d'emploi avant d'utiliser ce matériel. La notice d'emploi renferme d'importantes consignes de sécurité et d'utilisation du matériel.



Ce symbole impose le port systématique de lunettes de sécurité à coïlères lors de la manipulation ou utilisation de ce matériel afin de limiter les risques de lésion oculaire.



Ce symbole signale un risque d'enroulement, d'enchevêtrement ou d'écrasement des membres par le câble du dégorgeoir.



Ce symbole signale un risque de choc électrique.



Ce symbole signale les risques d'enchevêtrement, d'écrasement et de frappe des doigts ou autres parties du corps par la chaîne de curage. Ne jamais laisser tourner l'appareil lorsque l'extrémité du câble est hors de la conduite.



Ce symbole impose le port de gants lors de la manipulation ou utilisation de ce matériel afin de limiter les risques d'infection, de brûlure et autres lésions graves occasionnées par le contenu de la conduite.



Ce symbole indique que le matériel sur lequel il est apposé pèse plus de 55 livres (25 kg) et qu'il convient de prendre les précautions d'usage lors de sa manipulation et déplacement afin de limiter les risques de blessure.

Consignes générales de sécurité applicables aux appareils électriques*

⚠ AVERTISSEMENT

Familiarisez-vous avec l'ensemble des consignes de sécurité et d'utilisation, les graphiques et caractéristiques techniques du manuel fourni avec l'appareil. Le non-respect de l'ensemble des consignes suivantes augmenterait les risques de choc électrique, d'incendie et/ou de grave blessure corporelle.

Conservez l'ensemble des consignes de sécurité et d'utilisation pour future référence !

Le terme « appareil électrique » utilisée dans les consignes de sécurité s'applique à la fois

aux appareils électrique sur secteur et ceux à piles.

Sécurité des lieux

- **Assurez-vous de la propreté et du bon éclairage des lieux.** Les chantiers encombrés ou mal éclairés sont une invitation aux accidents.
- **N'utilisez pas d'appareils électriques en présence de substances volatiles telles que liquides, gaz ou poussières combustibles.** Ce type de matériel risque de produire des étincelles susceptibles d'enflammer les poussières et émanations combustibles.
- **Eloignez les enfants et les curieux lors de l'utilisation des appareils élec-**

* Le texte utilisé dans les « Consignes générales de sécurité applicables aux appareils électriques » de ce manuel est obligatoirement tiré directement de la norme UL/SCA/EN 62841-1 applicable. Celle-ci couvre les normes de sécurité générales applicables à de nombreux types d'appareil électrique, dont certaines peuvent ne pas être applicables dans le cas présent.

triques. Les distractions risquent de vous faire perdre le contrôle de l'appareil.

Sécurité électrique

- **La fiche du cordon d'alimentation de l'appareil doit être adaptée à la prise de courant utilisée. Ne jamais utiliser d'adaptateur sur un appareil électrique avec terre.** L'emploi de fiches non modifiées et de prises appropriées limitera les risques de choc électrique.
- **Évitez tout contact avec des objets reliés à la terre tels que canalisations, radiateurs, cuisinières et réfrigérateurs.** Tout contact avec la terre augmenterait les risques de choc électrique.
- **N'exposez pas l'appareil à la pluie ou aux intempéries.** Toute pénétration d'eau à l'intérieur d'un appareil électrique augmenterait les risques de choc électrique.
- **Ne maltraitez pas le cordon d'alimentation de l'appareil. Ne jamais porter, tirer ou débrancher l'appareil par son cordon d'alimentation. Éloignez le cordon des sources de chaleur, de l'huile, des objets tranchants et de mécanismes.** Les cordons d'alimentation endommagés ou entortillés augmentent les risques de choc électrique.
- **Lorsque l'utilisation d'un appareil électrique dans un lieu humide est inévitable, prévoyez une alimentation équipée d'un disjoncteur différentiel.** L'utilisation d'un disjoncteur différentiel limite les risques de choc électrique.

Sécurité individuelle

- **Soyez attentif, restez concentré et faites preuve de bon sens lors de l'utilisation de ce type d'appareil. Ne jamais utiliser d'appareil électrique lorsque vous êtes fatigué ou sous l'influence de drogues, de l'alcool ou de médicaments.** Lors de l'utilisation d'un appareil électrique, un instant d'inattention risque d'entraîner de graves lésions corporelles.
- **Prévoyez les équipements de protection individuelle appropriés. Portez systématiquement une protection oculaire.** Selon le cas, le port d'un masque à poussière, de chaussures de sécurité antidérapantes, du casque ou d'une protection auriculaire peut aider à limiter les risques de lésion corporelle.

- **Évitez les démarrages accidentels. Assurez-vous que l'interrupteur se trouve en position « arrêt » avant de brancher l'appareil, d'y introduire un bloc-piles ou de le porter.** Le fait de porter un appareil électrique avec son doigt sur la gâchette ou de l'alimenter lorsque son interrupteur est en position « marche » est une invitation aux accidents.
- **Retirez toute clé ou dispositif de réglage éventuel avant de mettre l'appareil en marche.** Une clé ou tout autre dispositif de réglage engagé sur un élément mécanique pourrait provoquer un accident.
- **Ne vous mettez pas en porte-à-faux. Maintenez une bonne assiette et un bon équilibre à tout moment.** Cela assurera un meilleur contrôle de l'appareil en cas d'imprévu.
- **Habillez-vous de manière appropriée. Ne portez ni accessoires, ni bijoux. Éloignez vos cheveux, vos vêtements et vos gants des mécanismes lorsque l'appareil fonctionne.** Les foulards, les bijoux et les cheveux longs risquent d'être entraînés par les mécanismes en rotation.
- **Lorsque l'appareil est prévu pour, assurez-vous qu'il est correctement raccordé au système d'extraction et de récupération de poussière correspondant.** Les récupérateurs de poussière aident à limiter les risques d'inhalations dangereuses.
- **Ne laissez pas la familiarité issue de l'utilisation fréquente d'un appareil vous rendre complaisant au point de négliger les principes de sécurité de base.** Le moindre faux pas peut se transformer en accident grave dans une fraction de seconde.

Utilisation et entretien des appareils électriques

- **Ne pas forcer l'appareil. Prévoyez l'appareil le mieux adapté aux travaux envisagés.** Un appareil adapté produira de meilleurs résultats et un meilleur niveau de sécurité lorsqu'il fonctionne au régime prévu.
- **Ne pas utiliser d'appareil électrique dont l'interrupteur marche/arrêt ne fonctionne pas correctement.** Tout appareil qui ne peut pas être contrôlé par

son interrupteur est considéré dangereux et doit être réparé.

- **Débrancher l'appareil et/ou retirer son bloc-piles avant tout réglage, remplacement d'outils ou stockage.** De telles mesures préventives aideront à limiter les risques de démarrage accidentel de l'appareil.
- **Ranger tout appareil non utilisé hors de la portée des enfants.** L'utilisation de cet appareil doit être exclusivement réservé à du personnel compétent. Ce type d'appareil peut devenir dangereux entre les mains d'un novice.
- **Assurer l'entretien approprié de l'appareil. S'assurer de l'absence d'éléments grippés ou endommagés, voire toute autre anomalie susceptible de nuire au bon fonctionnement et à la sécurité de l'appareil. Ne pas utiliser d'appareil endommagé avant sa réparation.** De nombreux accidents sont le résultat d'appareils mal entretenus.
- **Assurer l'affutage et la propreté des outils de coupe.** Des outils de coupe correctement entretenus et affûtés sont moins susceptibles de se gripper et sont plus faciles à contrôler.
- **Utilisez cet appareil électrique, ses accessoires, ses mâches, etc. selon les consignes ci-présentes, tout en tenant compte des conditions d'intervention et du type de travail envisagé.** L'emploi d'un appareil électrique à des fins autres que celles prévues pourrait entraîner une situation dangereuse.
- **Assurer la parfaite propreté de poignées et autres points de prise-en-main de l'appareil.** Des poignées et points de prise-en-main encrassés ne permettront pas de manipuler et contrôler l'appareil de manière appropriée en cas d'imprévu.

Service après-vente

- **Confiez la révision de tout appareil électrique à un réparateur qualifié se servant exclusivement de pièces de rechange identiques aux pièces d'origine.** Cela assurera la sécurité opérationnelle de l'appareil.

Consignes de sécurité spécifiques

⚠ AVERTISSEMENT

La section suivante contient d'importantes consignes de sécurité visant ce type d'appareil en particulier.

Afin de limiter les risques de choc électrique et autres lésions corporelles graves, familiarisez-vous avec celles-ci avant d'utiliser le dégorgeoir électrique FlexShaft™.

Conservez l'ensemble de ces consignes de sécurité et d'utilisation pour future référence !

Gardez ce manuel à portée de main de tout utilisateur éventuel.

Sécurité du dégorgeoir électrique FlexShaft™

- **Avant d'utiliser l'appareil, vérifiez le bon fonctionnement du disjoncteur différentiel incorporé à son cordon d'alimentation.** Un disjoncteur différentiel en bon état de marche aide à limiter les risques de choc électrique.
- **Toute rallonge électrique utilisée doit être protégée par un disjoncteur différentiel.** Le disjoncteur différentiel de la machine ne protège pas contre les chocs électriques en amont.
- **Utilisez exclusivement les gants recommandés par le fabricant pour la manipulation du câble.** Les gants en Latex, les gants mal ajustés et les chiffons risqueraient de s'entortiller autour du câble et provoquer de graves lésions corporelles.
- **Ne permettez pas au câble de continuer à tourner si l'outil de curage se bloque.** Cela pourrait surcharger le câble au point de provoquer son vrillage ou sa rupture et entraîner de graves lésions corporelles.
- **Un seul individu doit contrôler à la fois le câble et l'interrupteur de l'appareil.** Si l'outil de curage cesse de tourner, l'utilisateur doit pouvoir éteindre la machine afin de prévenir le vrillage, le plissage ou la rupture du câble.
- **Portez des gants en Latex ou en caoutchouc recommandés sous les gants de curage, ainsi que des lunettes de sécurité, une visière, des vêtements de protection et un respirateur lorsque la canalisation risque de renfermer**

des produits chimiques, bactéries ou autres substances toxiques ou infectieuses. Les canalisations d'évacuation peuvent contenir des produits chimiques, bactéries ou autres substances susceptibles de provoquer des brûlures, être toxiques ou infectieuses, voir présenter d'autres risques sanitaires et physiques.

- **Prenez les précautions sanitaires d'usage. Ne pas manger ou fumer lors de la manipulation ou utilisation de l'appareil. En fin de manipulation ou utilisation du matériel de curage, lavez vos mains et autres parties du corps exposées au contenu de la conduite à l'aide d'eau chaude savonneuse.** Cela aidera à limiter les risques sanitaires dus à la présence de substances toxiques ou infectieuses.
- **N'utilisez le dégorgeoir que pour le curage des sections de canalisation désignées.** Un dégorgeoir inadapté risquerait de provoquer le vrillage, le bouclage ou la rupture du câble et ainsi entraîner de graves blessures corporelles.
- **Tant que l'appareil tourne, maintenez une main gantée sur le câble à tout moment.** Cela permet de mieux contrôler le câble et éviter son vrillage, son plissage et sa rupture éventuelle. Le vrillage, le plissage ou la rupture du câble pourrait provoquer de graves lésions corporelles.
- **Positionnez l'appareil à moins de 4 pieds (1,20 m) du point d'accès de la canalisation, ou soutenez la partie exposée du câble si cette distance maximale ne peut pas être respectée.** Un écart plus important risque de permettre le vrillage, le bouclage ou la rupture du câble. Un câble vrillé, bouclé ou rompu risque de sérieusement heurter ou pincer l'utilisateur.
- **Ne portez ni bijoux, ni accessoires vestimentaires. Eloignez vos cheveux et vos vêtements des mécanismes de l'appareil.** Les bijoux, accessoires vestimentaires et cheveux peuvent être entraînés par les éléments rotatifs de la machine.
- **Ne jamais utiliser cet appareil avec les pieds dans l'eau.** L'utilisation de l'appareil avec les pieds (les vôtres et/ou les siens) dans l'eau augmenterait les risques de choc électrique.
- **Ne jamais utiliser cet appareil en présence d'un risque de contact avec d'autres réseaux (gaz naturel, électriques, etc.).** Le cas échéant, l'inspec-

tion préalable par caméra de la conduite est fortement indiquée. Les traversées, réseaux mal positionnés et conduites détériorées risqueraient d'être endommagés par l'outil de curage. Cela augmenterait les risques de choc électrique, fuite de gaz, incendie, explosion ou autres dégâts matériels et lésions corporelles.

- **Avant d'utiliser cet appareil, et afin de limiter les risques d'accident grave, familiarisez-vous avec les consignes d'utilisation et de sécurité ci-présentes, ainsi que celles visant l'ensemble du matériel et des matériaux utilisés.**

Coordonnées RIDGID

En cas de questions concernant ce produit RIDGID® veuillez :

- Consulter le distributeur RIDGID le plus proche ;
- Visiter le site RIDGID.com afin de localiser le représentant RIDGID le plus proche ;
- Consultez les services techniques Ridge Tool à ProToolsTechService@Emerson.com, ou bien, à partir des Etats-Unis ou du Canada, en composant le 844-789-8665.

Description

Le dégorgeoir électrique RIDGID® FlexShaft™ K9-306 est prévu pour le curage et détartrage des canalisations d'évacuation de 3" à 6" (75 à 150 mm) de diamètre et d'une longueur maximale de 125 pieds (30,5 m).

Son commutateur REV/O-OFF/FOR commande la rotation du câble, tandis que sa pédale de commande pneumatique assure la fonction « marche/arrêt » du moteur. Son câble d'alimentation est équipé d'un disjoncteur différentiel incorporé.

Son câble tourne à 2000 t/min et s'introduit et se retire manuellement de la conduite. La chaîne de curage en tête du câble se déploie pour assurer à la fois le curage et le détartrage de la conduite. Disponibles sont des chaînes de curage avec dents au carbure pour la coupe des racines et le décalaminage des parois de tuyau. Cet appareil est équipé d'un limiteur de couple électronique destiné à limiter les risques d'endommagement du câble.

Les dégorgeoirs FlexShaft sont particulièrement bien adaptés au suivi simultané des curages par caméra d'inspection.

Il est déconseillé d'utiliser les dégorgeoirs FlexShaft en présence d'éléments sanitaires en verre, céramique, porcelaine ou similaire de par leur fragilité.

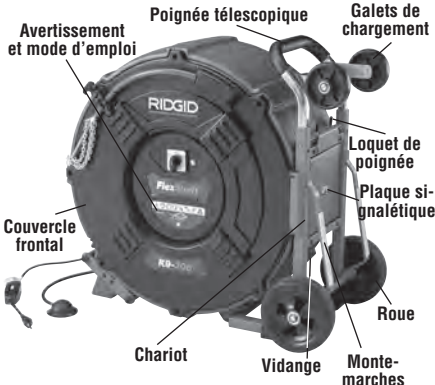


Figure 1A – Dégorgeoir RIDGID® FlexShaft

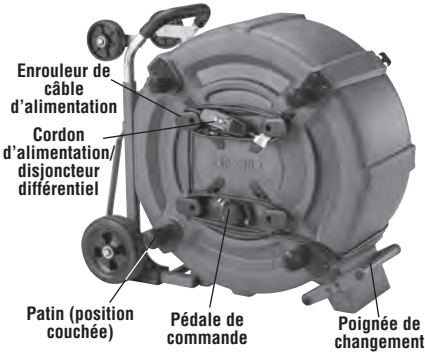


Figure 1B – Dégorgeoir RIDGID® FlexShaft

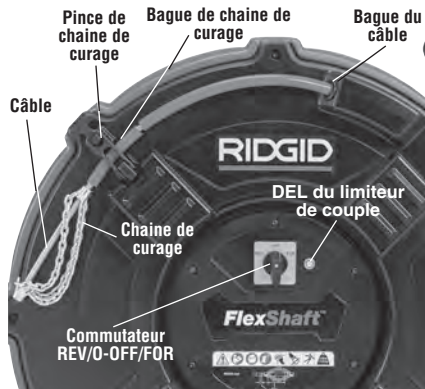


Figure 1C – Embout de câble avec chaîne de curage

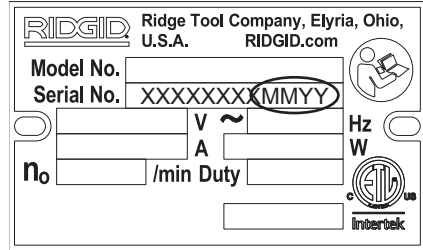


Figure 2 – Plaque signalétique de l'appareil

La plaque signalétique se trouve du côté du chariot du bâti. Les 4 derniers chiffres indiquent le mois et l'année de fabrication.

Caractéristiques techniques

Section nominale de conduite3" à 6" (75 à 150 mm)
 Diamètre du câble sans gaine3/8" (10 mm)
 Diamètre du câble avec gaine5/8" (16 mm)
 Longueur du câble125' (38 m)
 Moteur
 Puissance... 1,1 kW (1,5 CV) 1,1 kW (1,5 CV)
 Tension d'alimentation 120 V 220-240 V
 Courant 13 A 8 A
 Reportez-vous à la plaque signalétique du produit pour les valeurs applicables
 Régime de rotation ...2000 t/min
 Poids 166 lbs. (75 kg)
 Dimensions 36,1" x 32,5" x 20,5" (918 mm x 826 mm x 521 mm) poignée repliée

Température de fonctionnement 20°F à 140°F (-6°C à 60°C)

Pression sonore (L_{PA})* 96,1 dB (A), K=3
 Puissance sonore (L_{PW})* 91,8 dB (A), K=3

* Les valeurs sonores ont été mesurées selon la norme standardisée EN 62841-1.
 - Les niveaux sonores produits peuvent varier selon la localisation et l'utilisation spécifique de ces appareils.
 - Les niveaux d'exposition sonore doivent être évalués en fonction de chaque application afin d'établir les mesures de protection éventuellement nécessaires. L'évaluation des niveaux d'exposition doit prendre en compte les temps morts durant lesquels l'appareil est éteint et non utilisé. Cela peut réduire les niveaux d'exposition au cours d'une période de travail donnée de manière considérable.

Équipements de base

Reportez-vous au catalogue RIDGID pour les équipements fournis avec chaque dégorgeoir selon sa référence.

AVIS IMPORTANT Cette machine est prévue pour le curage de canalisations d'évacuation. Correctement utilisée, elle n'endommagera pas une canalisation correctement conçue, construite et entretenue. Si la canalisation est en mauvais état ou qu'elle n'a pas été correctement conçue, construite ou entretenue, l'efficacité du processus de curage et l'intégralité de la canalisation pourraient être compromises. Le meilleur moyen d'évaluer préalablement l'état d'une canalisation d'évacuation est par son inspection visuelle à l'aide d'une caméra. L'emploi inapproprié de ce dégorgeoir risquerait d'endommager et la machine, et la canalisation. Cette machine ne sera pas nécessairement capable de franchir tous les blocages potentiels.

Inspection préalable

⚠ AVERTISSEMENT



Examiner le dégorgeoir avant chaque intervention afin de corriger toute anomalie éventuelle et limiter les risques de choc électrique, de bouclage ou rupture du câble, de brûlures chimiques, d'infection etc., et afin de ne pas endommager la machine elle-même.

Porter systématiquement des lunettes de sécurité et autres équipements de protection appropriés lors de l'inspection du dégorgeoir.

1. Assurez-vous que le dégorgeoir est débranché, puis examinez le cordon d'alimentation, son disjoncteur différentiel et sa fiche pour signes d'anomalie. En présence d'une fiche modifiée (absence de barrette de terre, etc.) ou d'un cordon endommagé, n'utilisez pas la machine avant que le cordon d'alimentation ait été professionnellement remplacé.
2. Nettoyez le dégorgeoir, ses poignées, commandes et leviers compris. Cela facilitera l'inspection et assurera une meilleure prise en main de ses commandes. Nettoyez et entretenez la machine selon les consignes d'entretien ci-après.

3. Lors de l'inspection du dégorgeoir, vérifiez notamment les points suivants :
 - L'assemblage et intégralité de la machine.
 - Signes d'éléments brisés, usés, absents, désalignés ou grippés. Faites tourner le tambour manuellement pour vous assurer de son libre mouvement.
 - La présence et lisibilité de l'avertissement apposé sur la machine (Figure 3).

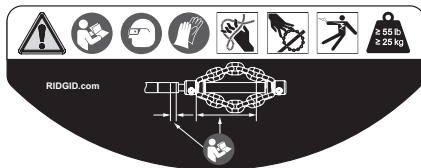


Figure 3 – Avertissement

- Le libre mouvement du câble à l'intérieur de l'appareil.
- Toute anomalie susceptible de nuire à la sécurité et au bon fonctionnement de la machine.

Corrigez toute anomalie éventuelle avant de réutiliser le dégorgeoir.

4. Nettoyez soigneusement le câble et les chaînes de curage. Examinez la gaine pour signes d'usure et de déformation. Celle-ci ne devrait présenter aucuns signes de coupure, plissage, rupture ou usure excessive. Examinez le câble à proximité de la chaîne de curage. Le câble ne doit pas être tordu ou déformé. Le câble doit être parfaitement torsadé, sans torons déplacés. Examinez les chaînes de curage équipées de dents au carbure pour dents absentes ou endommagées et l'état de la chaîne en général. Lorsque ses maillons sont usés au-delà d'un quart de leur épaisseur ou endommagés, il sera nécessaire de remplacer la chaîne de curage. Remplacer tout élément usé ou endommagé avant de réutiliser le dégorgeoir à nouveau.

Assurez-vous que la chaîne de curage est correctement montée en bout du câble et suffisamment serrée.
5. Examinez et maintenez tout autre matériel utilisé selon les instructions correspondantes afin de vous assurer qu'il fonctionne correctement.
6. Vérifiez que le commutateur REV/O-OFF/FOR se trouve en position O-OFF.

7. Avec les mains sèches, branchez le cordon d'alimentation de l'appareil dans une prise de courant avec terre appropriée. Testez le disjoncteur différentiel du cordon d'alimentation pour vous assurer qu'il fonctionne correctement. Appuyez sur la touche « interrupteur » du disjoncteur pour vérifier la coupure de courant. Appuyez sur sa touche de réarmement pour vérifier que le courant passe à nouveau. Si le disjoncteur différentiel ne fonctionne pas correctement, débranchez-le et n'utilisez le dégorgeoir qu'après qu'il ait été réparé.
8. Une fois l'inspection terminée et avec les mains sèches, débranchez l'appareil.

Installation de l'appareil et du chantier

⚠ AVERTISSEMENT



Installer le dégorgeoir et le chantier selon les consignes suivantes afin de limiter les risques de choc électrique, incendie, renversement de la machine, vrillage ou rupture du câble, brûlure chimique, infection, etc., ainsi que pour éviter d'endommager le dégorgeoir.

Porter systématiquement des lunettes de sécurité et autres équipements de protection appropriés lors de l'installation du dégorgeoir.

1. Installez le dégorgeoir dans un endroit approprié qui vous permettra de travailler sur une plate-forme dégagée, nivelée, stable et sèche. Ne jamais utiliser le dégorgeoir avec les pieds dans l'eau.
2. Examinez la canalisation d'évacuation ciblée. Déterminez, si possible, son (ses) point(s) d'accès, sa (ses) section(s) et longueur(s), la distance jusqu'à la fosse ou l'égout, la composition du blocage, la présence éventuelle de produits de débouchage ou autres produits chimiques, etc.

En présence de produits chimiques, il importe de déterminer les mesures sanitaires spécifiques à prendre avant d'intervenir. Consultez le fournisseur du produit chimique concerné afin de déterminer les mesures de protection

nécessaires. Assurez-vous de l'absence d'autres réseaux à proximité afin de limiter les risques de dégâts. Une inspection visuelle par caméra est conseillée.

Au besoin, déposez la cuvette de W.C. ou autre élément sanitaire afin d'accéder à l'évacuation. Ne jamais tenter de passer le câble via un élément sanitaire. Cela pourrait endommager à la fois le dégorgeoir FlexShaft et l'élément.

3. Prévoyez le matériel nécessaire en fonction de l'application envisagée en vous reportant au chapitre *Caractéristiques techniques*. Vous trouveriez les dégorgeoirs prévus pour d'autres types d'intervention dans le catalogue RIDGID ou en ligne sur le site www.RIDGID.com.
4. Assurez-vous que l'ensemble du matériel ait été soigneusement inspectée au préalable.
5. Au besoin, bâchez le sol du chantier. Le processus de curage devient parfois plutôt salissant.
6. Amenez le dégorgeoir jusqu'au chantier via un passage dégagé. Réglez la longueur de sa poignée si nécessaire (Figure 4). Ramenez les loquets de la poignée l'un vers l'autre pour amener la poignée à la longueur voulue. Vérifiez que les loquets s'engagent et que la poignée est verrouillée en position. Si la poignée dépasse le dernier point de verrouillage, ses arrêts l'empêcheront de sortir. Le cas échéant, appuyez sur les loquets pour la repositionner.

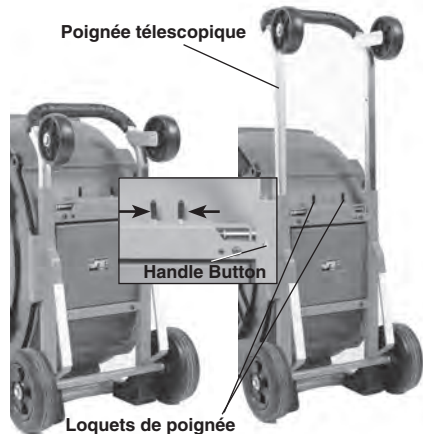


Figure 4 – Réglage de la poignée télescopique

7. Couchez le dégorgeoir comme indiqué à la Figure 5. Le dégorgeoir doit être assis carrément et fermement au sol.
8. Positionnez le dégorgeoir de manière à ce que la sortie du câble se trouve à moins de 4' (1,2 m) du point d'accès de la canalisation. Une distance supérieure augmenterait les risques de vrillage et de plissage du câble. Si le dégorgeoir FlexShaft ne peut pas être positionné à moins de 4' (1,2 m) du point d'accès, prolongez ce dernier à l'aide d'une conduite et de raccords de section similaire comme indiqué à la Figure 5. Un câble mal soutenu risque de se plisser ou vriller au point de s'endommager ou blesser l'utilisateur. Une telle prolongation peut également faciliter le passage du câble le long de la conduite.
12. Enfilez la chaîne de curage sur un minimum de 1' (30 cm) à l'intérieur de la canalisation.
13. Déterminez le besoin éventuel de barrières destinées à éloigner les curieux du dégorgeoir et du chantier. Le processus de curage risque d'être salissant et les curieux risquent de distraire l'utilisateur.
14. Positionnez la pédale de commande de manière à pouvoir y accéder facilement. Vous devez pouvoir simultanément contrôler le câble, utiliser la pédale de commande et atteindre le commutateur REV/O-OFF/FOR.
15. Assurez-vous que le commutateur REV/O-OFF/FOR se trouve en position O-OFF.
16. Amenez le cordon d'alimentation du dégorgeoir jusqu'à la prise de courant via un passage dégagé. Avec les mains sèches, branchez-le sur une prise avec terre appropriée. Certains disjoncteurs différentiels auront besoin d'être réarmés à chaque fois qu'ils sont branchés. Le cas échéant, réarmez le disjoncteur. Maintenez l'ensemble des connexions électriques au sec et surélevées. Si le cordon d'alimentation est trop court, utilisez une rallonge :



Figure 5 – Exemple de prolongation de conduite à moins d'un mètre de la sortie de câble de l'appareil.

- en bon état
 - équipée d'une fiche adaptée à celle du dégorgeoir
 - homologuée pour utilisation à l'extérieur et portant la désignation « W » ou « W-A » (c.-à-d., « SOW ») ou compatible avec les normes H05VV-F, H05RN-F ou de type 60227 IEC 53 ou 60245 IEC 57.
 - de section suffisante, à savoir : 16 AWG (1,5 mm²) ou plus pour les rallonges de moins de 50' (15 m), 14 AWG (2,5 mm²) ou plus pour les rallonges de 50'- 100' (15 à 30 m).
- A noter que lors de l'utilisation d'une rallonge électrique, le disjoncteur différentiel du cordon d'alimentation dégorgeoir n'assure aucune protection en aval. Il est donc conseillé de brancher un disjoncteur différentiel indépendant entre la prise de courant et la rallonge afin de limiter les risques de choc électrique en cas de courtage de la rallonge.
9. Délogez la chaîne de curage, puis retirez environ 5' (1,50 m) de câble de l'appareil.
 10. Marquez la gaine afin d'indiquer la proximité de la chaîne de curage vis-à-vis du point d'entrée lors de son retrait de la conduite. Cela peut se faire à l'aide de sparadrap et sert à limiter les risques de fouettement des chaînes de curage lors de leur sortie. Cette distance dépendra de la configuration de la conduite, mais devrait être au minimum 5' (1,50 m) à l'arrière de la chaîne de curage.
 11. Assurez-vous que la chaîne de curage est correctement montée en vous reportant à la rubrique *Montage et réglage de la chaîne de curage*.
 17. Mettez le commutateur REV/O-OFF/FOR en position O-OFF, puis débranchez l'appareil.

Montage et réglage de la chaîne de curage

1. Choisissez la chaîne de curage appropriée en fonction des conditions présentes.

La taille de chaîne de curage utilisée dépend du diamètre intérieur de leur collet et de la section du câble employé. Les chaînes de curage de 3/8" sont prévues pour les câbles de 3/8", etc. Ne jamais tenter d'utiliser une chaîne de curage de taille plus importante sur un câble de section inférieure (i.e., 1/2" sur 3/8"). Reportez-vous à la Figure 6 et au tableau des distances de collet.

Les chaînes de curage sans dents au carbure peuvent être utilisées dans les conduites courantes. Ce type de chaîne de curage est bien adapté aux blocages graisseux et similaires.

Les chaînes de curage équipées de dents au carbure servent le plus souvent au curage des conduites calaminées et à l'élimination des racines. Les chaînes à dents au carbure sont cependant plus agressives et risquent d'endommager les conduites moins résistantes, notamment en matière plastique, Orangeburg, et à parois minces, ou celles dans lesquelles elles continuent de tourner immobile pendant des périodes prolongées.

Ne jamais utiliser de chaînes de curage dans les appareils sanitaires ou conduites en verre, céramique, porcelaine ou autres matériaux semblable, car cela pourrait les endommager.

2. La Figure 7 est un schéma du montage et réglage appropriés de la chaîne de curage. Cela nécessite deux opérations particulières.

Ecart des collets : Eloignez les collets de la chaîne de curage la distance prévue pour obtenir « l'écart de collets » nécessaire et permettre à la chaîne de se déployer sur le rayon de curage requis lors de sa rotation. L'écart des collets, qui dépend à la fois de la section du câble utilisé et de du diamètre de la conduite, est le plus souvent établie par l'insertion d'un morceau de gaine entre les deux sous forme « d'écarteur ». Lorsqu'une plus grande flexibilité s'avère nécessaire pour négocier d'éventuels coudes dans la conduite, cet écarteur peut être retiré et l'écart entre collets déterminé par ruban-mètre. A savoir

que l'utilisation de la chaîne sans écarteur augmente les risques de retournement du câble, et donc de sa détérioration. **Ne jamais utiliser de chaînes de curage au carbure sans un écarteur de collet afin de limiter les risques de détérioration du câble.**

Câble exposé : Minimisez la longueur de câble exposé (voire, sans gaine). Plus le câble sans gaine est exposé, plus il risque de se retourner et s'endommager en cours d'utilisation. La partie exposée du câble doit être limitée à 1/4" (6 mm) et établie à l'aide d'une section de gaine dite « butée de chaîne de curage ».

Cette gaine est fournie avec le dégorgeoir et disponible en tant qu'accessoire afin de permettre la configuration de votre application spécifique selon besoin. N'utilisez que les gaines RIDGID FlexShaft de section adaptée au câble utilisé. Chaque coupe de gaine doit être propre et d'équerre. N'endommagez pas le câble lors de la coupe des gaines.

3. Les chaînes de curage se montent sur le câble à l'aide de vis de blocage utilisant une clé Allen de 3 mm fournie. Desserrez les vis de blocage, puis retirez la chaîne de curage, l'écarteur et sa butée du câble.
4. Une fois la chaîne de curage retirée, tenez l'extrémité du câble loin de vous et d'autrui, puis faites tourner l'appareil en marche arrière (REV) pendant 5 secondes pour exposer un maximum de câble. Mettez le commutateur en position O-OFF et débranchez l'appareil.

Tenez la gaine et tirez sur le câble afin d'en éliminer le moue et l'exposer au maximum.

5. Examinez l'extrémité de la gaine pour signes de détérioration ou d'usure. L'extrémité de la gaine doit être propre et d'équerre. Au besoin, redressez légèrement l'extrémité de la gaine.
6. Au besoin, coupez une longueur appropriée de gaine pour servir d'écarteur de collets (Reportez-vous au tableau des écarts de collet).

L'écartement des collets peut être modifié selon les besoins de l'application et de la conduite spécifiques. L'augmentation de l'écartement des collets diminue le diamètre de la chaîne et vice-versa. Un écartement de collets inapproprié risque de nuire à l'efficacité du curage.

DÉGORGEOIR K9-306


RÉF. CATALOGUE	66618	66623	66628	66633	66638	66643	66648	66653	66658
DESCRIPTION	K9-306 3"	K9-306 4"	K9-306 6"	K9-306 3" CARBIDE	K9-306 4" CARBIDE	K9-306 6" CARBIDE	K9-306 - 3" PENETRATING HEAD	K9-306 - 4" PENETRATING HEAD	K9-306 - 6" PENETRATING HEAD
Ø CONDUITE	3"- 4" (75-100 mm)	4"-5" (100- 125 mm)	5"- 6" (125-150 mm)	3"- 4" (75-100 mm)	4"-5" (100- 125 mm)	5"- 6" (125-150 mm)	3"- 4" (75-100 mm)	4"-5" (100- 125 mm)	5"- 6" (125-150 mm)
COMPOSITION DU TUYAU	CUIVRE	<input checked="" type="checkbox"/>	<input checked="" type="checkbox"/>	<input checked="" type="checkbox"/>	<input checked="" type="checkbox"/>	<input checked="" type="checkbox"/>	<input checked="" type="checkbox"/>	<input checked="" type="checkbox"/>	<input checked="" type="checkbox"/>
	GALVANISÉ	<input checked="" type="checkbox"/>	<input checked="" type="checkbox"/>	<input checked="" type="checkbox"/>	<input checked="" type="checkbox"/>	<input checked="" type="checkbox"/>	<input checked="" type="checkbox"/>	<input checked="" type="checkbox"/>	<input checked="" type="checkbox"/>
	FORTE	<input checked="" type="checkbox"/>	<input checked="" type="checkbox"/>	<input checked="" type="checkbox"/>	<input checked="" type="checkbox"/>	<input checked="" type="checkbox"/>	<input checked="" type="checkbox"/>	<input checked="" type="checkbox"/>	<input checked="" type="checkbox"/>
	PVC	<input checked="" type="checkbox"/>	<input checked="" type="checkbox"/>	<input checked="" type="checkbox"/>					
	ABS	<input checked="" type="checkbox"/>	<input checked="" type="checkbox"/>	<input checked="" type="checkbox"/>					
	ORANGEBURG	<input checked="" type="checkbox"/>	<input checked="" type="checkbox"/>	<input checked="" type="checkbox"/>					
	ONDULÉ	<input checked="" type="checkbox"/>	<input checked="" type="checkbox"/>	<input checked="" type="checkbox"/>					
	GRÈS	<input checked="" type="checkbox"/>	<input checked="" type="checkbox"/>	<input checked="" type="checkbox"/>					
	GRAISSE	<input checked="" type="checkbox"/>	<input checked="" type="checkbox"/>	<input checked="" type="checkbox"/>	<input checked="" type="checkbox"/>	<input checked="" type="checkbox"/>	<input checked="" type="checkbox"/>	<input checked="" type="checkbox"/>	<input checked="" type="checkbox"/>
BLOCAGE	BLOCAGE MOU	<input checked="" type="checkbox"/>	<input checked="" type="checkbox"/>	<input checked="" type="checkbox"/>	<input checked="" type="checkbox"/>	<input checked="" type="checkbox"/>	<input checked="" type="checkbox"/>	<input checked="" type="checkbox"/>	<input checked="" type="checkbox"/>
	DÉTARTRAGE				<input checked="" type="checkbox"/>	<input checked="" type="checkbox"/>	<input checked="" type="checkbox"/>	<input checked="" type="checkbox"/>	<input checked="" type="checkbox"/>
	RACINES				<input checked="" type="checkbox"/>	<input checked="" type="checkbox"/>	<input checked="" type="checkbox"/>	<input checked="" type="checkbox"/>	<input checked="" type="checkbox"/>
	LINGETTES						<input checked="" type="checkbox"/>	<input checked="" type="checkbox"/>	<input checked="" type="checkbox"/>
	COMPRIS DANS LE KIT		<input checked="" type="checkbox"/>	<input checked="" type="checkbox"/>					

Figure 6 – Tableau de sélection des chaînes de curage

Appareil	Section de câble	Nombre de chaînes	Chaîne		Ecartement de collets conseillé
			Nombre de maillons par chaîne	Ø nominal du tuyau	
K9-306	3/8"	3	11	3" (75 mm)	4" (102 mm)
		3	13	4" (100 mm)	4 1/2" (114 mm)
		3	17	6" (150 mm)	5 1/2" (140 mm)

Tableau d'écartements de collet

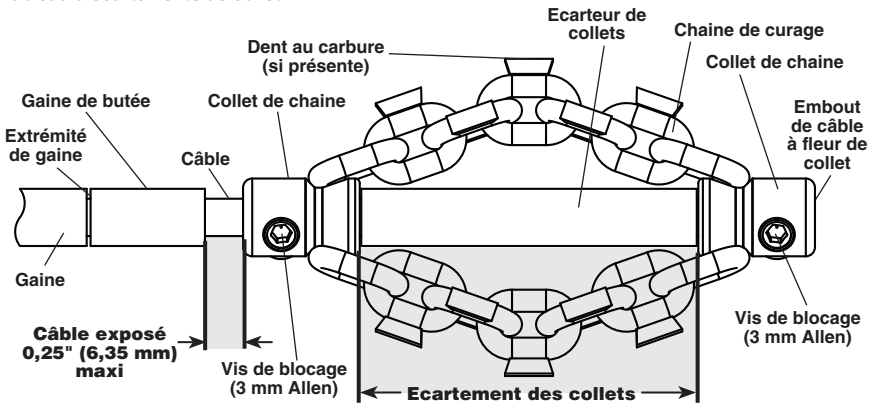


Figure 7 – Montage et réglage des chaînes de curage

- Montez à blanc la chaîne de curage, sa gaine de butée et son écarteur de collets sur le câble comme indiqué à la Figure 7. Les maillons de chaîne doivent être alignés. Ne jamais monter de chaîne dont les maillons sont désalignés. Assurez-vous que l'embout de câble se trouve à fleur du collet de chaîne afin de limiter son usure prématuré.

Vérifiez la section de câble exposé. Celle-ci ne doit pas dépasser 1/4" (6 mm) de long au risque de voir le câble se vriller et s'endommager. Au besoin, coupez une plus grande longueur de gaine pour servir de butée et limiter la longueur de câble exposé. **Montez systématiquement une gaine de butée afin de limiter l'usure de l'extrémité de la gaine du câble.**

- Une fois la chaîne de curage correctement montée sur le câble comme indiqué à la Figure 7, serrez les vis de blocage des collets à l'aide de la clé Allen fournie. À défaut d'un serrage suffisant des vis de blocage, la chaîne de curage risquerait de glisser et endommager le câble, voire s'échapper dans la conduite.

Montage des brosses

Il existe des brosses prévues pour diverses utilisations, telles que le nettoyage de l'inté-

rieur des conduites, le centrage des chaînes de curage et l'enduisage intérieur des tuyaux. Reportez-vous aux informations visant chaque type de brosse pour les utilisations appropriées.

Les brosses peuvent être assemblées selon plusieurs configurations dont quelques exemples sont indiqués à la Figure 8.

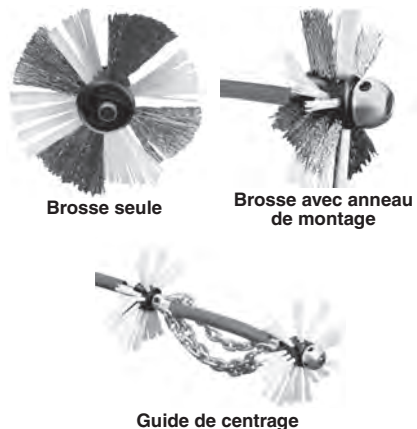


Figure 8 – Exemples de configuration des brosses

Le montage des brosses est similaire à celui des chaînes de curage. Le collier de la brosse

s'enfile sur le câble et est retenu en serrant ses vis de blocage. Une fois monté le câble se trouve à fleur du collier de la brosse. Des bagues de fixation de brosse sont disponibles pour améliorer la rétention des brosses en cas de desserrage des vis de blocage en cours d'opération.

Comme pour les chaînes de curage, minimisez la longueur du câble exposé (non gainé). Plus il y a de câble exposé, plus il aura tendance à se retourner et s'endommager en cours d'opération. Limitez la longueur du câble exposé à 1/4" (6 mm) à l'aide d'un manchon fait d'un morceau de gaine (manchon de chaîne de curage).

Montage de la tête pénétrante

Les têtes pénétrantes servent à percer un trou à travers les blocages afin d'établir un fil d'eau et permettre l'avancement d'une chaîne de curage. Reportez-vous à la Figure 9 pour les détails de montage.

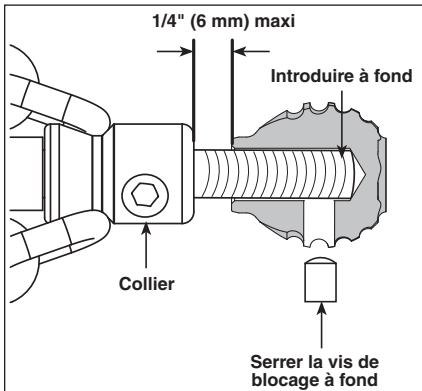


Figure 9 – Montage de la tête pénétrante

Mode d'emploi

⚠ AVERTISSEMENT

Portez systématiquement des lunettes de sécurité et des gants en bon état lors de la manipulation ou utilisation de l'appareil. Prévoyez des sous-gants en latex ou caoutchouc, une visière, des vêtements de protection, un respirateur ou autres dispositifs de protection en présence potentielle de produits chimiques, bactéries ou autres matières toxiques ou infectieuses afin de limiter, entre autres, les risques d'infection et de brûlure chimique.

Il ne faut à aucun moment laisser la chaîne de curage cesser de tourner tant que le câble de l'appareil tourne. Cela risquerait de stresser le câble au point de le voir boucler, se plisser ou se rompre et augmenterait les risques de graves lésions corporelles.

Gardez une main sur le câble à tout moment lorsque le dégorgeoir FlexShaft tourne. Cela assure un meilleur contrôle du câble et réduit les risques de vrillage, plissage et rupture qui pourraient entraîner de graves lésions corporelles.

Positionnez la sortie de câble de l'appareil à moins de 4' (1,2 m) du point d'accès à la conduite ou soutenez la partie exposée du câble de manière appropriée en cas de distance supérieure. Une distance supérieure à 4' (1,2 m) risque de rendre le câble difficile à contrôler et augmenterait ses risques de vrillage, plissage et rupture. Le vrillage, plissage ou rupture du câble augmenterait les risques de blessure par fouettement ou par écrasement.

Un seul individu doit pouvoir contrôler à la fois le câble et la pédale de commande. Si le câble cesse de tourner, l'utilisateur doit pouvoir arrêter l'appareil afin d'éviter les risques de vrillage, plissage ou rupture du câble et limiter les risques d'accident.

Respectez les consignes d'utilisation suivantes afin de limiter les risques de blessures issues du vrillage, de la rupture ou du fouettement du câble, ainsi que du renversement de l'appareil, de brûlures chimiques, d'infection et autres.

1. Assurez-vous que l'appareil et le chantier sont correctement installés et que les lieux sont libres de spectateurs ou autres distractions.
2. Retirez l'ensemble câble et chaîne de curage du dégorgeoir et introduisez-le dans la conduite. Le câble doit pénétrer la conduite sur une distance minimale de 3' (1 m) afin d'éviter que la chaîne ressorte et se met à fouetter lorsque l'appareil est mis en marche.

Dirigez le câble directement de l'appareil à la conduite en minimisant la longueur de câble exposée. Évitez les changements de direction ou coudes serrés qui augmenteraient les risques de vrillage et rupture.

Il est possible de suivre le processus de curage en temps réel à l'aide d'une caméra d'inspection. Typiquement, le câble du dégorgeoir et celui de la caméra sont tenus ensemble et déplacés simultanément. Le cas échéant, maintenez la caméra à un minimum de 1,5' (50 cm) à l'arrière de la chaîne de curage.

AVIS IMPORTANT Ne jamais permettre la chaîne de curage en rotation de heurter la caméra. Cela risquerait de l'endommager.

- Mettez-vous en position de travail approprié afin de mieux contrôler le câble et l'appareil (Figure 10) :
 - Assurez-vous de pouvoir rapidement lâcher la pédale de commande.
 - Maintenez une main gantée sur le câble afin de le contrôler et le soutenir lorsqu'il avance dans la conduite et le blocage.
 - Maintenez votre équilibre afin de ne pas avoir à vous mettre en porte-à-faux et risquer de tomber sur le dégorgeoir, la conduite, etc.
 - Vous devez pouvoir atteindre le commutateur REV/O-OFF/FOR à tout moment.

Une telle position de travail aidera à maintenir à la fois le contrôle du câble et du dégorgeoir FlexShaft.



Figure 10 – Position de travail approprié

- Vérifiez que le câble est engagé sur un minimum de 1' (50 cm) dans la conduite.
- Prenez le câble avec vos deux mains gantées également espacées, puis retirez entre 6" et 12" (15 et 30 cm) de câble du tambour de manière à pouvoir créer une légère arche. Vos mains gantées doivent rester sur le câble afin de le contrôler et le soutenir. Un câble mal soutenu risque de se plisser ou de se vriller de manière dangereuse. Assurez-vous que la sortie de câble du dégorgeoir se trouve à moins de 4' (1,2 m) du point d'accès de la conduite (Figure 10).

- Mettez le commutateur REV/O-OFF/FOR en position FOR (marche avant).
- Appuyez sur la pédale de commande pour lancer le dégorgeoir. Le câble se mettra à tourner avec un léger retard. Ne jamais utiliser ce dégorgeoir avec un individu tenant le câble et un autre activant la pédale de commande. Cela augmenterait les risques de vrillage, plissage et rupture du câble.
- Les dégorgeoirs FlexShaft utilisent un régime de rotation élevé et un minimum de couple pour assurer le curage des conduites. Leurs câbles sont plus souples que ceux des autres types de dégorgeoir. Les dégorgeoirs FlexShaft fonctionnent au mieux avec une légère pression sur le câble et un avancement moins agressif vers les blocages. **Il importe de laisser la vitesse de rotation de la chaîne de curage – ne jamais forcer la chaîne dans un blocage.**
- Avancement et retrait du câble – Lubrifiant FlexShaft

Dans certains cas, il sera avantageux d'enduire la gaine du câble avec du lubrifiant RIDGID FlexShaft lors de son avancement. Cela peut à la fois faciliter son avancement et accroître sa portée. Pour ce faire, tenez un chiffon propre enduit de lubrifiant dans la main gantée que vous utilisez pour faire avancer le câble afin d'enduire ce dernier en cours de route (Figure 11). Au besoin, rajoutez du lubrifiant au chiffon durant le processus. Des repères RIDGID FlexShaft sont apposés sur la gaine tous les 5' (1,5 m) pour aider à déterminer la longueur de câble déjà sorti du dégorgeoir.

Utilisez exclusivement du lubrifiant RIDGID FlexShaft. D'autres types de lubrifiant risquent d'être inadaptés au curage des conduites et pourraient contaminer l'eau.

Lors du retrait du câble, il est conseillé d'essuyer sa gaine à l'aide d'un chiffon au fur et à mesure afin d'éliminer la crasse et les débris avant son rembobinage dans le tambour.

- Mise en rotation de la chaîne de curage
De manière générale, la chaîne est mise en rotation pour curer la conduite pendant que le câble est retiré.
N'engagez la rotation du câble que lorsque la chaîne de curage est engagée

d'au moins 1' dans la conduite. Pour faire tourner le câble, tenez-le fermement, puis appuyez sur la pédale de commande. L'individu qui tient le câble doit aussi contrôler la pédale de commande. Ne jamais utiliser l'appareil avec un individu contrôlant le câble et un autre la pédale de commande. Ne jamais permettre au câble de se stresser, boucler ou courber hors de la conduite. Cela augmenterait les risques de vrillage, plissage et rupture du câble. Lâchez la pédale de commande à tout moment pour arrêter la rotation du câble. A l'encontre d'un blocage, faites tourner le dégorgeoir à plein régime pour assurer un curage optimal. **Ne jamais forcer la chaîne de curage à l'encontre d'un blocage.** La rotation avant et arrière ponctuelle de la chaîne de curage tout en l'avancant peut aider à franchir les siphons et blocages.



Figure 11 – Lubrification de la gaine de câble

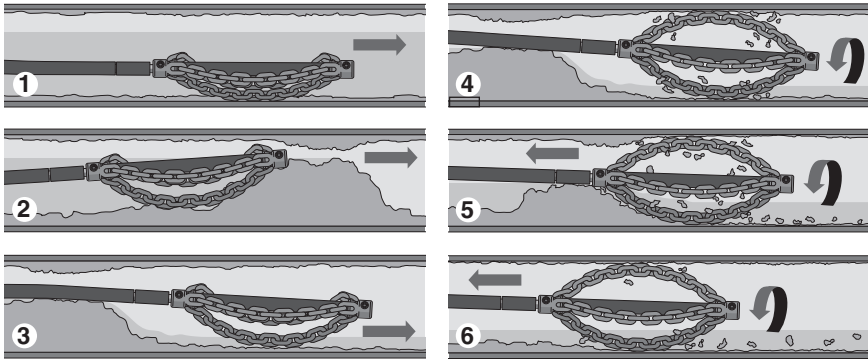
11. Faites avancer le câble le long de la conduite sans nécessairement le faire tourner. Prenez la gaine au niveau de la sortie de câble de l'appareil. Retirez de 6" à 12" (15 à 30 cm) de câble du dégorgeoir FlexShaft afin de lui donner une légère arche. Votre main gantée doit rester sur le câble afin de le contrôler et le soutenir. Un manque de soutien risque de permettre au câble de se plisser ou vriller au point de l'endommager et blesser l'utilisateur. Faites avancer le câble dans la conduite (Figure 12 –1).

12. Continuez de faire avancer le câble jusqu'à ce qu'il rencontre d'une résistance. Faufilez délicatement la chaîne de curage à travers le blocage. **Ne forcez pas sur le câble – si la chaîne de curage ne peut pas tourner, elle ne pourra pas curer la conduite.** Notez la distance parcourue par le câble. Ne laissez pas le câble déborder dans une conduite de section supérieure. Cela risque de provoquer l'entortillement du câble ou autres dégâts (Figure 12 – 2).
13. Une fois la conduite débloquée, faites couler l'eau afin de chasser les débris résiduels et aider à rincer le câble lors de son retrait. Cela peut se faire en ouvrant un robinet en amont ou par d'autres moyens. Faites attention au niveau de l'eau, car la conduite risque de se bloquer à nouveau en aval. (Figure 12 – 3).
14. Une fois le blocage franchi par la chaîne de curage et avec le commutateur REV/O-OFF/FOR en position FOR, appuyez sur la pédale de commande pour lancer la rotation de la chaîne. Retirez le câble lentement afin de permettre à la chaîne tournante de curer les parois de la conduite et éliminer le blocage (Figure 12 – 4 et 5). **Si le câble cesse de tourner, ne continuez pas d'utiliser le dégorgeoir.** Cela risquerait de vriller ou plisser le câble. Vous pouvez arrêter la rotation du câble à tout moment en lâchant la pédale de commande. La rotation du câble en sens inverse (REVERSE) peut aider à curer la paroi opposée de la conduite.

Servez-vous des vibrations de câble ressenties par votre main et le bruit émis par la chaîne de curage et le moteur pour déterminer si ou non il est nécessaire de sortir la chaîne du blocage afin qu'elle puisse retrouver son plein régime.

Le limiteur de couple électronique arrêtera le moteur afin de limiter les risques d'endommagement du câble. Ceci sera indiqué par le clignotement de la DEL du limiteur de couple. Lâchez la pédale de commande pour permettre au moteur de redémarrer. Si la chaîne de curage s'embourbe, mettez le commutateur REV/O-OFF/FOR en sens inverse afin d'inverser le sens de rotation du câble. Prenez le câble dans vos deux mains gantées, appuyez sur la pédale de commande pendant quelques secondes, puis tirez sur le

Les étapes principales de curage avec les dégorgeoirs FlexShaft (voir ci-dessous) :



1. Pousser la chaîne de curage (généralement sans qu'elle ne tourne) jusqu'à la section de conduite en besoin de curage.
2. En présence d'un blocage, enfiler la chaîne à travers ce dernier.
3. Si possible, établissez simultanément un fil d'eau dans la conduite afin d'en chasser les débris en cours d'opération.
4. Faites tourner le câble (et donc la chaîne) à plein régime.
5. Continuez de faire tourner le câble, tout en le retirant progressivement jusqu'à ce que la chaîne de curage décime le blocage.
6. Toujours à plein régime, retirez progressivement le câble pour que la chaîne puisse curer les parois de la conduite.

Figure 12 – Procédé général

câble jusqu'à ce qu'il se libère du blocage. Répéter si nécessaire. Dans certains cas, il sera possible de retirer à la fois le câble et le blocage de la conduite manuellement. Le cas échéant faites attention de ne pas endommager le câble.

Mettez le commutateur REV/O-OFF/FOR en position FOR, puis reprenez le curage de la conduite.

AVIS IMPORTANT Ne jamais permettre à la chaîne de curage en rotation de heurter la caméra ou son câble. Cela risquerait de les endommager.

15. Retirez le câble progressivement pour nettoyer les parois de conduite. Une fois la conduite curée, récupérez le câble et réintroduisez-le dans le dégorgeoir. Faites particulièrement attention que le câble ne s'accroche pas dans un blocage lors de son retrait (Figure 12 – 6).
16. Prenez note des repères apposés sur la gaine lors du retrait du câble. Lâchez la pédale de commande dès que la chaîne de curage s'approche du point d'accès de la conduite. Ne jamais retirer la chaîne de curage de la conduite lorsqu'elle tourne. La chaîne de curage risquerait de fouetter dangereusement.

17. Au besoin, répétez le processus pour parfaire le curage de la conduite.

18. Retirez manuellement le restant de câble de la conduite, puis réintroduisez-le dans le tambour. Préparez le dégorgeoir pour son transport.

Utilisation de l'appareil avec brosses

L'utilisation de l'appareil avec brosses est similaire à l'utilisation des chaînes de curage. Les brosses servent à parfaire le nettoyage des conduites, et non à l'élimination des blocages. Servez-vous d'une chaîne de curage ou d'une autre méthode pour éliminer les blocages au préalable. Tandis que les chaînes de curage sont typiquement utilisées en retirant le câble de la conduite, les brosses servent normalement en le faisant avancer et ce, afin de pousser les débris en avant. Reportez-vous à la Figure 13 pour les étapes générales.

Les brosses peuvent également servir en conjonction avec les chaînes de curage pour leur servir de guide de centrage ou pour combiner les opérations de curage et nettoyage. Leur utilisation dépendra des circonstances

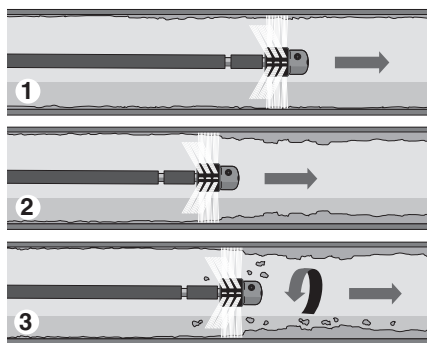


Figure 13 – Nettoyage des parois de conduite à l'aide d'une brosse

1. Introduisez la brosse dans la conduite (typiquement sans rotation du câble).
2. Arrivé à la zone à nettoyer, établissez, si possible, un fil d'eau dans la conduite afin de chasser les débris en cours d'opération.
3. Faites tourner le câble à pleine vitesse en le faisant avancer progressivement dans la conduite afin d'en nettoyer les parois.

existantes précises et de l'appréciation de l'utilisateur.

Vidage du tambour

Ouvrez le robinet de vidage (Figure 14). Penchez l'appareil en arrière sur ses roues et laissez-le se vidanger. Fermez le robinet en fin d'opération.



Figure 14 – Robinet de vidage

Transport

Rembobinez le câble dans le tambour et réengagez la chaîne de curage dans sa pince. Embobinez le cordon de la pédale de commande autour de ses crochets (Figure 15). Avant de déplacer le dégorgeoir, assurez-vous que sa poignée télescopique est déployée. S'il est nécessaire de soulever l'appareil, prenez les précautions nécessaires. Faites attention sur les escaliers et les sols glissants.



Figure 15 – Préparation au transport

Chargement

Avec la poignée verrouillée en position déployée, positionnez le dégorgeoir avec ses roues face au véhicule. Basculez le dégorgeoir en arrière, puis reposez ses galets de chargement sur le plateau du véhicule. Servez-vous des poignées de manutention (Figure 16) pour soulever le dégorgeoir et le glisser sur le plateau du véhicule (Figure 17). Vu le poids élevé du dégorgeoir, il est conseillé d'utiliser les techniques de manutention appropriées et éventuellement, de s'y mettre à plusieurs.



Figure 16 – Une des méthodes de transport



Figure 17 – Chargement de l'appareil sur véhicule

Remisage

AVIS IMPORTANT Ce dégraisseur doit être rangé au sec et à l'abri ou protégé contre les intempéries à l'extérieur. Rangez le dégraisseur dans un local sous clé et hors de portée des enfants et autres individus non-familiarisés avec ce type d'appareil. Ce dégraisseur peut devenir dangereux entre des mains novices.

Consignes d'entretien

⚠ AVERTISSEMENT

Assurez-vous que le commutateur REV/O-OFF/FOR est en position OFF et que l'appareil est débranché avant toute intervention.

Portez systématiquement des lunettes de sécurité et autres équipements de protection appropriés lors de toute intervention.

Nettoyage

Il est conseillé d'essuyer la gaine du câble avec un chiffon lors du retrait du câble de la conduite et son rembobinage dans le tambour. Cela évitera l'encrassement du tambour et le collage du câble sur ses parois. Au besoin, retirez le câble complètement, ouvrez le tambour, et rincez-le ou nettoyez-le.

Lavez le dégraisseur à l'eau chaude savonneuse et/ou à l'aide d'un désinfectant non agressif. Au besoin, vidangez le tambour du dégraisseur en ouvrant son couvercle (*reportez-vous à l'article 2 de la section « Remplacement du câble »*).

Ne jamais submerger ou rincer le dégraisseur à grande eau. Ne permettez aucune pénétration d'eau au niveau de son moteur ou autres composants électriques. Assurez-vous que l'appareil est parfaitement sec avant de le brancher ou l'utiliser.

Lubrification

Les dégraisseurs FlexShaft sont lubrifiés à vie à l'usine.

Câbles endommagés

Les câbles FlexShaft sont irréparables. Une fois endommagés, ils doivent être systématiquement remplacés. Ne jamais utiliser de câble endommagé.

Remplacement du câble

1. Enlevez la chaîne de curage de l'embout du câble.
2. Servez-vous d'une clé Allen de 4 mm pour desserrer les vis du couvercle avant qui sont attachées au carter et au cadre. Relevez le carter pour débrancher le connecteur électrique du moteur (*Figure 18*). Enfilez le câble à travers l'orifice pour le réintroduire dans l'appareil. Retirez le carter avant.

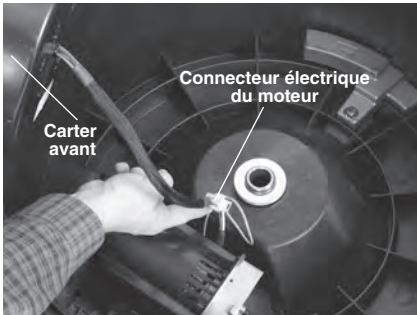


Figure 18 – Carter du dégraisseur ouvert

3. Desserrez les vis de retenue de la bride de gaine (Figure 19 « A ») de deux tours, mais sans les retirer.
4. Retirez les vis de retenue de la bride de câble, puis enlevez la bride (Figure 19).

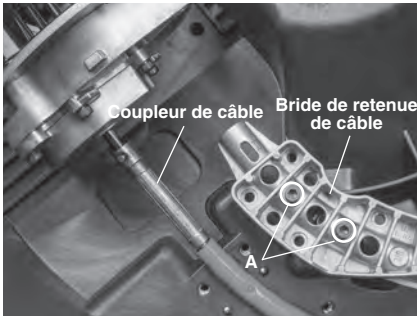


Figure 19 – Montage du câble

5. Retirez la bague de retenue et la broche du coupleur de câble.
 - Déconnectez le coupleur de l'arbre de la boîte d'engrenages. Retirez le câble au complet de l'appareil.
 - Introduisez le coupleur de câble à travers le passage du tambour, puis montez-le sur l'arbre de la boîte d'engrenages. Introduisez à fond la broche et la bague de retenue. Ne mettez pas encore le câble en charge.
 - Engagez l'extrémité de la bride de retenue du câble sur le câble et dans le passage du tambour.
 - Engagez (sans serrer) les 4 vis de la bride de retenue de câble (Figure 19). Vérifiez que la gaine du câble arrive à moins de ¼" (6 mm) du coupleur de câble. L'extrémité de la gaine doit se trouver entre les deux traits du hublot comme indiqué à la Figure 20.

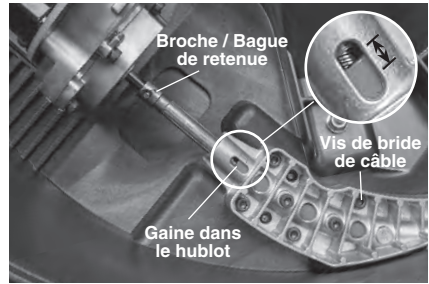


Figure 20 – Position de la gaine à l'intérieur du hublot

6. Serrez l'ensemble des vis de bride à fond.
7. Vérifiez que l'extrémité de la gaine se trouve bien entre les traits du hublot. Serrez les vis de la bride de gaine à fond.
8. Engagez le câble dans le passage du tambour.
9. Enflez l'extrémité du câble à travers l'ouverture du carter avant, puis remontez le carter.
10. Sans monter de chaîne de curage, tenez le câble à l'écart de vous et d'autrui. Faites tourner l'appareil en marche arrière pendant 5 secondes afin de maximiser le câble exposé. Mettez l'interrupteur en position « O-OFF », puis débranchez l'appareil.

Si aucun câble n'est exposé, retaillez la gaine pour en exposer une longueur de 1" à 2" (25 à 50 mm). Tirez sur le câble tout en retenant la gaine pour éliminer le mou et exposer un maximum de câble. Retaillez la gaine pour exposer 7¾" (197 mm) de câble à partir de son extrémité.

Reportez-vous à l'article 5 de la rubrique *Installation et réglage des chaînes de curage* pour terminer l'installation de la chaîne.

Inspection et remplacement des balais moteur

Les balais du moteur doivent être inspectés tous les 6 mois et remplacés dès qu'ils sont usés à moins de ½" (13 mm) d'épaisseur.

1. Retirez le couvercle selon les indications de l'article 2 de la section *Remplacement du câble*.

2. Servez-vous d'un tournevis pour retirer les couvercles de balais (*Figure 21*), puis retirez les balais. S'ils sont endommagés ou usés au-delà de ½" (13 mm) d'épaisseur, remplacez-les.
3. Inversez le processus pour remonter l'ensemble.
4. Introduisez la chaîne de curage dans une conduite, puis faites-la tourner en marche avant et marche arrière pendant 15 minutes pour roder les balais.

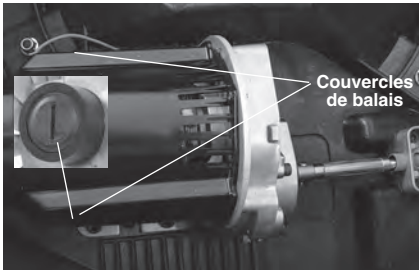


Figure 21 – Inspection et remplacement des balais moteur

Limiteur de couple électronique / protection thermique

Cet appareil est équipé d'un limiteur de couple électronique et d'une protection thermique. Si le moteur tire trop de courant, il s'éteindra afin de limiter les risques d'endommagement du câble et le témoin DEL du limiteur de couple électronique clignotera. Lâchez la pédale de commande afin de permettre au moteur de redémarrer. *Reportez-vous au Mode d'emploi* pour le retrait du câble d'un blocage.

Si le DEL du limiteur de couple électronique reste allumé, c'est que le moteur a surchauffé. Pour réarmer la protection thermique du moteur, débranchez l'appareil, mettez le commutateur REF/O-OFF/FOR à la position O-OFF, puis laissez l'appareil refroidir pendant un minimum de 15 minutes. Si l'appareil refuse toujours de démarrer ou qu'il s'éteint continuellement en cours d'utilisation normale, faites-le réviser.

Dépannage

SYMPTÔME	CAUSE POSSIBLE	SOLUTION
Plissage ou rupture du câble.	Forçage du câble. ----- Dégorgeoir ou chaîne de curage FlexShaft inadaptés à la section de conduite. ----- Câble exposé à de l'acide ou corrodé. ----- Câble et/ou gaine usés. ----- Câble mal soutenu. ----- Chaîne de curage mal installée ou réglée.	Ne pas forcer le câble. Suivre les instructions. ----- Prévoir les dégorgeoir et câble FlexShaft appropriés en fonction de la section de conduite. ----- Nettoyer le câble de manière régulière. ----- Remplacer tout câble usé. ----- Soutenir le câble correctement selon les instructions. ----- Installer et régler la chaîne de curage selon les <i>instructions</i> .
Le câble tourne dans un sens, mais pas l'autre.	Défaillance du commutateur REV/O-OFF/FOR.	Faire remplacer le commutateur et réviser l'appareil.
Le disjoncteur différentiel du dégorgeoir se déclenche dès que l'appareil est branché.	Cordon d'alimentation endommagé. ----- Moteur en court-circuit. ----- Disjoncteur différentiel défectueux. ----- Présence d'eau dans le moteur ou le commutateur ou sur la fiche d'alimentation de l'appareil.	Faire remplacer le cordon et réviser l'appareil. ----- Faire réviser le dégorgeoir. ----- Faire remplacer le cordon et réviser l'appareil. ----- Faire réviser le dégorgeoir.
Le dégorgeoir FlexShaft oscille ou se déplace en cours de curage.	Sol irrégulier.	Poser le dégorgeoir sur une surface propre, plane et stable.

Dépannage (Suite)

SYMPTÔME	CAUSE POSSIBLE	SOLUTION
Le dégorgeoir refuse de se mettre en marche.	Le disjoncteur différentiel doit être réarmé. ----- Surchauffe du moteur. DEL du limiteur de couple électronique allumée. ----- La DEL du limiteur de couple électronique clignote.	Réarmer le disjoncteur différentiel. ----- Voir : <i>Surchauffe du moteur.</i> ----- Voir : <i>Limiteur de couple électronique.</i>

Révisions et réparations

⚠ AVERTISSEMENT

Toute révision ou réparation inappropriée de l'appareil augmenterait les risques d'accident en cours d'utilisation.

Les « *Consignes d'entretien* » couvriront la majorité des besoins d'entretien de l'appareil. Toute anomalie qui n'est pas couverte dans cette section devra être confiée à un réparateur RIDGID indépendant. Utilisez exclusivement des pièces de rechange RIDGID.

Pour obtenir les coordonnées du réparateur RIDGID le plus proche ou pour toutes questions visant l'entretien ou la réparation de l'appareil, reportez-vous à la section *Coordonnées* du manuel.

Accessoires

⚠ AVERTISSEMENT

Afin de limiter risques d'accident grave, utilisez exclusivement les accessoires spécifiquement destinés au dégorgeoir RIDGID FlexShaft tels que ceux ci-après.

Réf. catalogue	Description
66618	Chaîne de curage 3 brins sur câble Ø 3/8" pour conduite Ø 3"
66623	Chaîne de curage 3 brins sur câble Ø 1/2" pour conduite Ø 4"
66628	Chaîne de curage 3 brins sur câble Ø 3/4" pour conduite Ø 6"
66633	Chaîne de curage 3 brins à dents au carbure sur câble Ø 3/8" pour conduite Ø 3"
66638	Chaîne de curage 3 brins à dents au carbure sur câble Ø 1/2" pour conduite Ø 4"
66643	Chaîne de curage 3 brins à dents au carbure sur câble Ø 3/4" pour conduite Ø 6"
66648	Chaîne de curage pénétrante 3 brins à dents au carbure sur câble Ø 1/2" pour conduite Ø 3"
66653	Chaîne de curage pénétrante 3 brins à dents au carbure sur câble Ø 3/8" pour conduite Ø 4"
66658	Chaîne de curage pénétrante 3 brins à dents au carbure sur câble Ø 1/2" pour conduite Ø 6"
64338	Lubrifiant FlexShaft, 8 oz, 12 par caisse
66663	Ensemble câble, gaine et raccords Ø 1/2" de 125'
66668	Longueur de 12' de gaine FlexShaft Ø 1/2"

Reportez-vous au catalogue Ridge Tool en ligne à RIDGID.com ou à la *section Coordonnées* pour la liste complète des accessoires RIDGID disponibles pour ces appareils.

Recyclage

Certains composants de ces appareils renferment des matières précieuses potentiellement recyclables. Il sera éventuellement possible de trouver des entreprises de recyclage spécialisées localement. Recyclez ces composants selon la réglementation en vigueur. Contactez votre centre de recyclage local pour de plus amples renseignements.



A l'attention des pays de la CE : Ne jamais jeter de matériel électrique dans les ordures ménagères !

Selon la directive Européenne 2012/19UE visant le recyclage du matériel électrique et électronique et son application au niveau national, tout matériel électrique qui n'est plus utilisable doit être récupéré séparément et recyclé de manière écologiquement responsable.

Limpiadora de desagües FlexShaft™ Modelo K9-306



⚠ ADVERTENCIA!

Antes de utilizar este aparato, lea detenidamente este Manual del Operario. Pueden ocurrir descargas eléctricas, incendios y/o graves lesiones si no se entienden y siguen las instrucciones de este manual.

Índice de materias

Simbología de seguridad	45
Reglas de seguridad general para máquinas eléctricas	
Seguridad en la zona de trabajo.....	45
Seguridad eléctrica.....	46
Seguridad personal.....	46
Uso y cuidado de las máquinas eléctricas	46
Servicio.....	47
Información de seguridad específica	47
Seguridad de la limpiadora de desagües FlexShaft™	47
Información de contacto RIDGID	48
Descripción	48
Especificaciones	49
Equipo estándar.....	50
Inspección previa a la operación	50
Preparación de la máquina y de la zona de trabajo	51
Instalación y ajuste de la golpeadora de cadenas.....	53
Instalación de escobillas.....	56
Instalación del cabezal penetrante	56
Instrucciones de funcionamiento	57
Uso de la máquina con escobillas	60
Drenaje del tambor	60
Transporte.....	60
Almacenamiento	62
Instrucciones de mantenimiento	62
Limpieza	62
Lubricación.....	62
Punta del cable.....	62
Reemplazo del conjunto del cable.....	62
Inspección y reemplazo de los cepillos del motor.....	64
Limitador electrónico del par de torsión y sobrecarga térmica del motor.....	64
Resolución de problemas	65
Servicio y reparaciones	66
Equipo opcional	66
Eliminación	66
Declaración de conformidad UKCA	Interior de la carátula posterior
Garantía de por vida	Carátula posterior

*Traducción del manual original en inglés

Simbología de seguridad

En este manual del operario y en el producto mismo encontrará símbolos de seguridad y palabras de advertencia que comunican importante información de seguridad. Para su mejor comprensión, en esta sección se describe el significado de estas palabras y símbolos de advertencia.



Este es el símbolo de una alerta de seguridad. Sirve para prevenir al operario de las lesiones corporales que podría sufrir. Obedezca todas las instrucciones de seguridad que acompañan a este símbolo para evitar posibles lesiones o muerte.

⚠ PELIGRO

Este símbolo de PELIGRO advierte de una situación de peligro que, si no se evita, podría producir la muerte o lesiones graves.

⚠ ADVERTENCIA

Este símbolo de ADVERTENCIA avisa de una situación de peligro que, si no se evita, podría producir la muerte o lesiones graves.

⚠ CUIDADO

Este símbolo de CUIDADO advierte de una situación de peligro que, si no se evita, podría producir lesiones leves o moderadas.

⚠ AVISO

Un AVISO advierte de la existencia de información relacionada con la protección de un bien o propiedad.



Este símbolo significa que es necesario leer detenidamente su manual del operario antes de usar el equipo. El manual del operario contiene información importante acerca del funcionamiento apropiado y seguro del equipo.



Este símbolo indica que cuando utilice este equipo siempre debe usar gafas o anteojos de seguridad con viseras laterales, con el fin de reducir el riesgo de lesiones a los ojos.



Este símbolo indica que existe el riesgo de que los dedos, manos y otras partes del cuerpo se enganchen, queden enrollados o se aplasten en la máquina FlexShaft.



Este símbolo indica que hay riesgo de descargas eléctricas.



Este símbolo indica el riesgo de que los dedos u otras partes del cuerpo se enganchen, queden enrollados, aplastados o golpeados por la golpeadora de cadenas. No haga funcionar el equipo si el extremo del cable está fuera del desagüe.



Este símbolo significa que siempre debe usar guantes cuando manipule o utilice este equipo, con el fin de reducir el riesgo de infecciones, quemaduras u otras lesiones graves producidas por los materiales en el desagüe.



Este símbolo indica que el equipo marcado pesa más de 55 libras (25 kg). Tenga cuidado cuando levante o mueva la máquina, para reducir el riesgo de lesiones.

Reglas de seguridad general para máquinas eléctricas*

⚠ ADVERTENCIA

Lea y entienda todas las advertencias de seguridad, instrucciones, ilustraciones y especificaciones que se incluyen con esta máquina eléctrica. Si no se respetan todas las instrucciones que siguen, podrían producirse descargas eléctricas, incendios y/o lesiones graves.

¡GUARDE TODAS LAS ADVERTENCIAS E INSTRUCCIONES PARA POSTERIOR CONSULTA!

El término "máquina eléctrica" en las advertencias se refiere a máquinas enchufadas en un tomacorriente (máquinas con cordón) o a

máquinas que funcionan con baterías (máquinas sin cordón).

Seguridad en la zona de trabajo

- **Mantenga su zona de trabajo limpia y bien iluminada.** Los lugares desordenados u oscuros pueden provocar accidentes.
- **No haga funcionar las máquinas eléctricas en ambientes explosivos, es decir, en presencia de líquidos, gases o polvo inflamables.** Las máquinas eléctricas pueden generar chispas que podrían encender los gases o el polvo.
- **Mientras haga funcionar una máquina eléctrica, mantenga alejados a los niños y espectadores.** Cualquier distracción podría hacerle perder el control del aparato.

* El texto utilizado en la sección de advertencias de seguridad general para máquinas eléctricas es una reproducción exacta, como se exige, de la correspondiente norma UL/CSA/EN 62841-1. Esta sección contiene prácticas de seguridad generales para muchas herramientas eléctricas de distintos tipos. No todas las precauciones corresponden a cada herramienta y algunas no corresponden a este aparato.

Seguridad eléctrica

- El enchufe del aparato eléctrico debe corresponder al tomacorriente. Jamás modifique el enchufe del aparato. No utilice un enchufe adaptador cuando haga funcionar una máquina eléctrica provista de conexión a tierra. Los enchufes intactos y tomacorrientes que les corresponden reducen el riesgo de choques de electricidad.
- Evite el contacto de su cuerpo con artefactos conectados a tierra tales como cañerías, radiadores, estufas o cocinas, y refrigeradores. Aumenta el riesgo de choques de electricidad si su cuerpo ofrece conducción a tierra.
- No exponga las máquinas eléctricas a la lluvia ni permita que se mojen. Cuando a un aparato eléctrico le entra agua, aumenta el riesgo de choques de electricidad.
- No maltrate el cordón eléctrico del aparato. Nunca transporte el aparato tomándolo de su cordón eléctrico ni jale del cordón para desenchufarlo del tomacorriente. Mantenga el cordón alejado del calor, aceite, bordes cortantes o piezas móviles. Un cordón enredado o en mal estado aumenta el riesgo de choques de electricidad.
- Si resulta inevitable el empleo de una máquina eléctrica en un sitio húmedo, enchúfela en un tomacorriente protegido GFCI (dotado de un Interruptor del Circuito de Pérdida a Tierra). El interruptor GFCI reduce el riesgo de choques de electricidad.

Seguridad personal

- Manténgase alerta, preste atención a lo que está haciendo y use el sentido común cuando haga funcionar una máquina eléctrica. No use ninguna máquina eléctrica si usted está cansado o se encuentra bajo la influencia de drogas, alcohol o medicamentos. Tan solo un breve descuido durante el funcionamiento de una máquina eléctrica puede resultar en lesiones graves.
- Use equipo de protección personal. Siempre use protección para los ojos. Según corresponda para cada situación, colóquese equipo de protección como mascarilla para el polvo, calzado de seguridad antideslizante, casco o protección para los oídos, con el fin de reducir las lesiones personales.

- Evite echar a andar un aparato sin querer. Asegure que el interruptor esté en la posición de APAGADO antes de enchufar el aparato a la corriente eléctrica o de conectarlo a sus baterías, de tomarlo o acarrearlo. Se producen accidentes cuando se transportan máquinas eléctricas con el dedo puesto sobre su interruptor, o se las enchufa o conecta a la fuente de corriente con el interruptor en la posición de ENCENDIDO.
- Extraiga cualquier llave de ajuste que esté acoplada a la máquina eléctrica antes de encenderla. Una llave acoplada a una parte giratoria de la máquina eléctrica puede producir lesiones personales.
- No trate de extender el cuerpo para alcanzar algo. Tenga los pies bien plantados y mantenga el equilibrio en todo momento. Esto permite un mejor control de la máquina eléctrica en situaciones inesperadas.
- Vístase adecuadamente. No lleve ropa suelta ni joyas. Mantenga su cabello, ropa y guantes apartados de las piezas en movimiento. La ropa suelta, las joyas o el pelo largo pueden engancharse en las piezas móviles.
- Si se proporcionan dispositivos para conectar aparatos de extracción y recolección de polvo, asegure que estén bien conectados y utilizados. La recolección de polvo puede reducir los peligros asociados al polvo.
- No deje que su familiaridad con las herramientas le haga abandonar los principios de seguridad de las máquinas. Un descuido puede causar una lesión grave en menos de un segundo.

Uso y cuidado de las máquinas eléctricas

- No fuerce los aparatos eléctricos. Use el equipo correcto para la tarea que está por realizar. Con la máquina eléctrica adecuada se hará mejor el trabajo y en forma más segura en la clasificación nominal para la cual fue diseñada.
- Si el interruptor del aparato no lo enciende o no lo apaga, no utilice el aparato. Cualquier máquina eléctrica que no se pueda controlar mediante su interruptor es un peligro y debe repararse.
- Antes de hacer ajustes, cambiar accesorios o de almacenar el aparato,

desenchúfelo y/o extraígale las baterías, si es posible. Estas medidas de seguridad preventiva reducen el riesgo de poner la máquina eléctrica en marcha involuntariamente.

- **Almacene las máquinas eléctricas que no estén en uso fuera del alcance de los niños y no permita que las hagan funcionar personas que no estén familiarizadas con este aparato o no hayan leído estas instrucciones de operación.** Las máquinas eléctricas son peligrosas en manos de personas no capacitadas.
- **Haga la mantención necesaria de las máquinas eléctricas. Revise el equipo para verificar que las piezas móviles no estén mal alineadas o agarradas. Verifique que no tenga partes rotas ni presente alguna otra condición que podría afectar su funcionamiento. Si un aparato está dañado, hágalo reparar antes de utilizarlo.** Muchos accidentes se deben a máquinas eléctricas que no han recibido un mantenimiento adecuado.
- **Mantenga las hojas y filos de corte afilados y limpios.** Las herramientas de corte provistas de filos afilados son menos propensas a agarrarse y son más fáciles de controlar.
- **Utilice la máquina eléctrica, accesorios y barrenas, etc., únicamente conforme a estas instrucciones, tomando en cuenta las condiciones de trabajo y la tarea que debe realizar.** El uso de la máquina eléctrica para trabajos diferentes a los que le corresponden podría producir una situación peligrosa.
- **Mantenga los mangos y superficies de agarre secos, limpios y exentos de grasa y aceite.** Si están resbalosos los mangos y superficies de agarre, no podrá trabajar con seguridad ni controlar la máquina en situaciones inesperadas.

Servicio

- **Encomiende el servicio de la máquina eléctrica únicamente a técnicos calificados que usen repuestos idénticos a las piezas originales.** Así se garantiza la continua seguridad de la máquina eléctrica.

Información de seguridad específica

⚠ ADVERTENCIA

Esta sección contiene información de seguridad importante que es específica para esta herramienta.

Antes de utilizar la limpiadora de desagües FlexShaft™, lea estas instrucciones detenidamente para reducir el riesgo de choque de electricidad o de otras lesiones graves.

¡GUARDE TODAS LAS ADVERTENCIAS E INSTRUCCIONES PARA POSTERIOR CONSULTA!

Mantenga este manual junto con la máquina, para que lo use el operario.

Seguridad de la limpiadora de desagües FlexShaft™

- **Antes de usar la máquina, pruebe el Interruptor del Circuito de Pérdida a Tierra (GCFI) incorporado en el cordón de electricidad, para asegurar que esté funcionando correctamente.** Un interruptor GCFI que funciona bien reduce el riesgo de choques de electricidad.
- **Use solamente cordones de extensión provistos de un interruptor GCFI.** El GCFI en el cordón de la máquina no impedirá choques eléctricos causados por un cordón de extensión.
- **Debe usar guantes recomendados por el fabricante cuando agarre el cable que está girando.** Los guantes de látex, los guantes sueltos o los trapos se pueden enrollar en el cable y podrían causar lesiones graves.
- **No permita que la cortadora en la punta deje de girar mientras esté girando el cable.** Esto puede tensar el cable excesivamente y puede hacer que se pliegue, se tuerza o se corte, con lo cual puede causar lesiones graves.
- **Una sola persona debe controlar tanto el cable como el interruptor.** Si la cortadora deja de girar, el operario debe ser capaz de apagar la máquina para evitar que el cable se pliegue, se tuerza o se corte.
- **Use guantes de látex o de caucho debajo de los guantes recomendados por el fabricante; use gafas, careta de**

protección facial, ropa de protección y respirador cuando se sospecha que el desagüe contiene sustancias químicas, bacterias u otras sustancias tóxicas o infecciosas. Los desagües pueden contener sustancias químicas, bacterias y otras sustancias capaces de causar quemaduras, infecciones, intoxicaciones u otras lesiones graves.

- **Mantenga buena higiene personal. No coma ni fume cuando manipule o haga funcionar la máquina. Después de manejar o hacer funcionar una máquina para limpiar desagües, use agua caliente y jabón para lavarse las manos y las partes del cuerpo expuestas a los líquidos del desagüe.** Esto reduce el riesgo a la salud por exposición a materiales tóxicos o infecciosos.
- **Emplee la limpiadora de desagües únicamente para limpiar desagües de los diámetros recomendados.** Si usa una limpiadora de desagües del tamaño equivocado, el cable se puede torcer, plegar o cortar, y podría producir lesiones personales.
- **Mantenga siempre una mano enguantada sobre el cable cuando la máquina esté andando.** Así se controla mejor el cable y ayuda a impedir que se tuerza, se pliegue o se corte. Esto reduce el riesgo de lesiones graves.
- **Coloque la máquina a menos de 4 pies (1,2 m) de la entrada del desagüe o apoye el cable apropiadamente cuando la máquina esté a más de 4 pies (1,2 m) de distancia.** Si sitúa la máquina demasiado lejos, se reduce el control y el cable se podría torcer, plegar o cortar, lo cual podría causar lesiones por golpes o aplastamiento.
- **No use ropa suelta ni joyas. Mantenga el pelo y la ropa alejados de las piezas en movimiento.** La ropa suelta, las joyas o el pelo podrían engancharse en las piezas en movimiento.
- **El operario no debe hacer funcionar la máquina si él o la máquina están parados en agua.** Si la máquina está en el agua mientras funciona, aumenta la posibilidad de descargas eléctricas.
- **No use esta máquina si durante su funcionamiento hay riesgo de contacto con otros servicios (como tuberías de gas natural o cables de electricidad).** Es prudente hacer una inspección visual

del desagüe con una cámara. Si hay una intersección de dos tubos, cables o tubos mal colocados o desagües dañados, podrían entrar en contacto con la golpeadora de cadenas y causar daños. Esto podría causar choques de electricidad, fugas de gas, incendio, explosión o algún otro daño o lesiones graves.

- **Antes de usar esta máquina, lea y entienda estas instrucciones y las advertencias para todos los equipos y materiales utilizados, con el fin de reducir el riesgo de lesiones graves.**

Información de contacto RIDGID

Si tiene alguna pregunta acerca de este producto RIDGID®:

- Comuníquese con el distribuidor RIDGID® en su localidad.
- Visite RIDGID.com para averiguar dónde se encuentra su contacto RIDGID más cercano.
- Comuníquese con el Departamento de Servicio Técnico de Ridge Tool en ProToolsTechService@Emerson.com, o llame por teléfono desde EE. UU. o Canadá al 844-789-8665.

Descripción

La máquina limpiadora de desagües FlexShaft™ Modelo K9-306 de RIDGID® está diseñada para limpiar y desincrustar tubos y desagües de un diámetro de 3 pulgadas a 6 pulgadas (75 mm a 150 mm) y de un largo de hasta 125 pies (38 m).

Un conmutador REV/O-OFF/FOR (reversa/apagado/avance) controla la rotación del cable. Un interruptor de pie controla el motor para encenderlo (ON) o apagarlo (OFF). El cordón tiene incorporado un Interruptor de Circuito de Pérdida a Tierra (GCFI).

El conjunto del cable se mete y se saca manualmente del desagüe. El cable gira a 2000 RPM. Se usa golpeadora de cadenas, que se despliega para alcanzar las paredes del tubo y que desmenuza el bloqueo y limpia las paredes. Se dispone de golpeadoras de cadena con puntas cortantes de carburo, que sirven para desmenuzar raíces y para eliminar incrustaciones de la pared del tubo. Las golpeadoras de cadenas sin puntas especiales son de uso general, inclusive para grasa. La

máquina tiene un limitador electrónico del par de torsión, para reducir el riesgo de daños al cable.

Las limpiadoras de desagües FlexShaft son ideales para usar con una cámara de inspección durante el proceso de limpieza del desagüe.

Las limpiadoras de desagües FlexShaft no se recomiendan para limpiar artefactos de vidrio, cerámica, porcelana o materiales semejantes, ya que se podrían dañar.

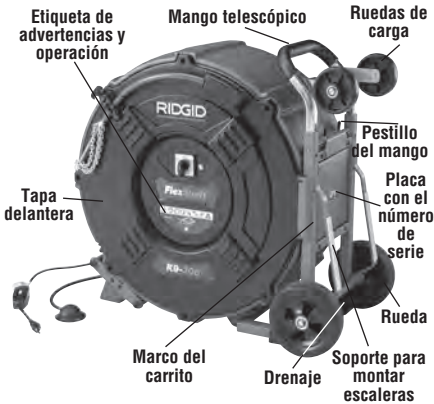


Figura 1 A – Limpadora de desagües FlexShaft de RIDGID®

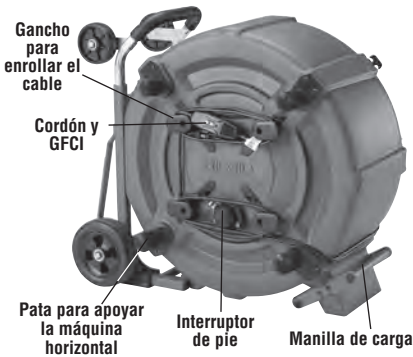


Figura 1 B – Limpadora de desagües FlexShaft de RIDGID®

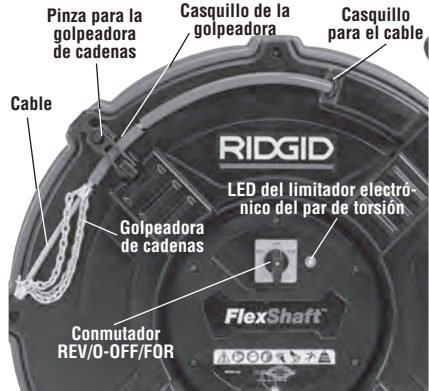


Figura 1 C – Extremo del cable y golpeadora de cadenas

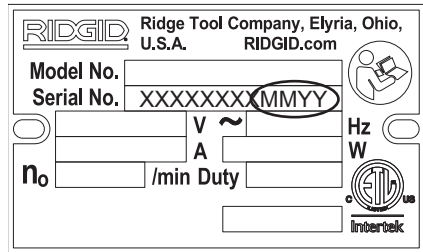


Figura 2 – Número de serie de la máquina

El número de serie de la limpiadora está por el lado del carrito (Figura 1 A). Los últimos cuatro dígitos indican el mes (MM) y el año (YY) de su fabricación..

Especificaciones

Capacidad del tubo (nominal)3" a 6"
(75 mm a 150 mm)

Diámetro del cable (sin vaina)..... 3/8" (10 mm)

Diámetro del conjunto del cable (con vaina)5/8" (16 mm)

Longitud del conjunto del cable125 pies (38 m)

Motor

Potencia 1,1 kW (1,5 HP) 1,1 kW (1,5 HP)

Voltaje 120 V 220-240 V

Corriente 13 A 8 A

En la placa de serie del producto se encuentra información específica para la máquina.

Velocidad de rotación.....2000 RPM

Peso 166 libras (75 kg)

Dimensiones..... 36,1" × 32,5" × 20,5"
(918 mm × 826 mm × 521 mm), con el mango plegado

Temperatura de operación 20°F a 140°F
(-6°C a 60°C)

Presión de sonido (L_{PA})* 96,1 dB(A), K=3

Potencia de sonido (L_{PW})* 91,8 dB(A), K=3

* Las determinaciones de sonido se miden según una prueba estándar conforme a la Norma EN 62481-1.
- Las emisiones de sonido pueden variar según dónde se ubique el usuario y el uso específico de estos aparatos.
- La exposición diaria al sonido se debe evaluar para cada aplicación y se deben tomar las correspondientes medidas de seguridad cuando sea necesario. La evaluación de los niveles de exposición debe tomar en cuenta el tiempo durante el cual está apagada la herramienta y el tiempo en que no se usa. Esto puede reducir el nivel de exposición significativamente durante todo el transcurso del periodo de trabajo.

Equipo estándar

Consulte el catálogo de RIDGID para encontrar información sobre los equipos que se incluyen con cada limpiadora de desagües según el número de catálogo.

AVISO Esta máquina está diseñada para limpiar desagües. Si se usa correctamente no dañará desagües que estén en buenas condiciones y bien diseñados, contruidos y mantenidos. Si el desagüe está en malas condiciones o está mal diseñado, construido o mantenido, el procedimiento de limpieza podría no ser eficaz o podría dañar la tubería. La mejor forma de determinar las condiciones de un desagüe antes de limpiarlo es mediante una inspección visual con una cámara. El uso inapropiado de esta limpiadora de desagües podría dañar la máquina y el desagüe. Es posible que esta máquina no logre desatascar todas las obstrucciones.

Inspección previa a la operación

⚠ ADVERTENCIA



Antes de cada uso, revise la limpiadora de desagües y corrija cualquier problema existente con el fin de reducir el riesgo de lesiones graves por descargas eléctricas, cables torcidos o cortados, quemaduras químicas, infecciones u otras

causas, y para impedir que se dañe la máquina limpiadora de desagües.

Siempre use anteojos de seguridad y equipo de protección apropiado cuando inspeccione la limpiadora de desagües.

1. Asegure que la máquina limpiadora esté desenchufada. Proceda a revisar el cordón de electricidad, el interruptor GFCI y el enchufe para verificar que no están dañados. Si se ha modificado el enchufe, si le falta la clavija de conexión a tierra o si el cordón está dañado, no use la máquina hasta que un técnico calificado haya reemplazado el cordón, para evitar descargas eléctricas.
2. Limpie la limpiadora de desagües, incluyendo los mangos y controles. Esto facilita la inspección y ayuda a prevenir que la máquina o el control se le resbalen de las manos. Haga la limpieza y la mantención de la máquina de acuerdo con las instrucciones de mantención.
3. Inspeccione la limpiadora de desagües para verificar lo siguiente:
 - Está bien ensamblada y completa.
 - No tiene partes rotas, desgastadas, faltantes, mal alineadas o agarradas.
 - La etiqueta de advertencia está presente y se puede leer. *Vea la Figura 3.*

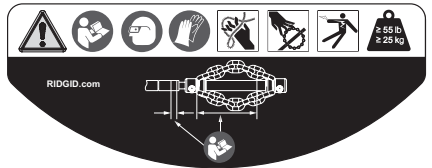


Figura 3 – Etiqueta de advertencia

- El conjunto del cable fácilmente entra y sale de la máquina, sin atascarse.
 - No existen condiciones que impiden el funcionamiento normal y seguro.
- Si encuentra algún problema, no use la limpiadora de desagües hasta que se hayan reparado los problemas.
4. Limpie los residuos que podrían estar presentes en el conjunto del cable y las golpeadoras de cadenas. Inspeccione la vaina del cable para verificar que no esté desgastada ni dañada. No debe tener cortes ni estar plegado, ni debe estar muy desgastado o cortado. Inspeccione el conjunto del cable cerca de la golpeadora de cadenas. Los conjuntos

del cable deben estar rectos y sin deformaciones. Los filamentos del cable deben estar estrechamente unidos sin separaciones. Si usa una golpeadora de cadenas con puntas cortantes de carburo, inspecciónela para verificar que las puntas cortantes no estén dañadas o ausentes, y que las cadenas no estén desgastadas. Si los eslabones de las cadenas muestran un desgaste de más de un cuarto de su espesor o si están dañados, reemplace la golpeadora de cadenas. Los equipos desgastados o dañados deben reemplazarse antes de usar la limpiadora de desagües.

Confirme que la golpeadora de cadenas esté bien instalada y bien conectada al cable.

- Inspeccione todos los demás equipos utilizados y haga la mantención necesaria, conforme a sus instrucciones específicas, para asegurar que funcionen correctamente.
- Asegure que el conmutador REV/O-OFF/FOR (REVERSA/APAGADO/AVANCE) esté en la posición de apagado.
- Con las manos secas, enchufe el cordón en un tomacorriente debidamente conectado a tierra. Pruebe el interruptor GFCI que está incorporado en el cordón eléctrico, para asegurar que esté funcionando bien. Cuando se oprime el botón de prueba (TEST) del GFCI, la máquina no debe funcionar. Oprima el botón RESET para que la máquina vuelva a funcionar. Si el GFCI no está funcionando bien, desenchufe el cordón y no use la limpiadora de desagües hasta que se haya reparado el interruptor GFCI.
- Terminada la inspección, con las manos secas, desenchufe la máquina.

Preparación de la máquina y de la zona de trabajo

⚠ ADVERTENCIA



Monte la máquina limpiadora de desagües y prepare la zona de trabajo de acuerdo con los procedimientos siguientes, para reducir los riesgos de lesiones debidas a choque eléctrico, incendio, volcamiento de la máquina, cables torcidos o cortados, quemaduras químicas, infecciones y otras causas, y para evitar que se dañe la limpiadora de desagües.

Siempre use anteojos de seguridad y equipo de protección apropiado cuando instale la limpiadora de desagües.

- Inspeccione la zona de trabajo para verificar que sea apropiada. Trabaje en un lugar despejado, nivelado, estable y seco. No use la máquina si está parado en una superficie con agua.
- Inspeccione el desagüe que debe limpiar. En lo posible, determine cuáles son los puntos de acceso al desagüe, el diámetro, longitud y material del desagüe, las distancias entre el acceso al desagüe y las tuberías principales, la naturaleza del atasco, presencia de sustancias químicas para limpiar desagües o de otros materiales químicos, etc.

Si el desagüe contiene sustancias químicas, es importante entender cuáles son las medidas de seguridad exigidas para trabajar en presencia de dichas sustancias. Comuníquese con el fabricante de los productos químicos para obtener la información necesaria. Confirme que no existan otros tubos o cables en la zona o dentro del desagüe, para reducir el riesgo de dañarlos. Es recomendable hacer una inspección visual del desagüe, con una cámara.

Si fuera necesario, saque el artefacto sanitario (inodoro, etc.) para permitir el acceso al desagüe. No haga funcionar la golpeadora de cadenas dentro de un artefacto, ya que podría dañarse la máquina FlexShaft o el artefacto.

3. Determine cuál es la limpiadora correcta para la tarea. *Vea las Especificaciones.* Para encontrar limpiadoras de desagües para otras tareas, consulte el catálogo de Ridge Tool, en línea en RIDGID.com.
4. Asegure que todos los equipos hayan sido debidamente inspeccionados.
5. Si fuera necesario, cubra la zona de trabajo con protectores. La limpieza de desagües es una tarea sucia.
6. Transporte la limpiadora de desagües al lugar de trabajo, siguiendo una senda despejada. Ajuste el mango si fuera necesario (*Figura 4*). Acerque los pestillos del mango y ajuste el mango telescópico hasta lograr la posición deseada. Confirme que los pestillos estén conectados y que el mango esté firme. Si el mango se extiende más allá de los agujeros de los pestillos, los botones del mango impedirán que se desprenda el mango de la máquina. Si llegara a salirse el mango, oprima los botones para volver a colocar el mango.

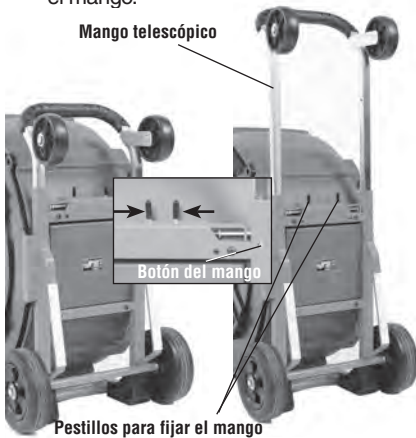


Figura 4 – Ajuste del mango telescópico

7. Sitúe la máquina limpiadora de desagües como se muestra en la *Figura 5*. La máquina debe quedar bien asentada y firme sobre el suelo.
8. Coloque la máquina de manera que la salida del cable quede a menos de 4 pies (1,2 m) de la entrada al desagüe. A mayor distancia, aumenta el riesgo de que el cable se tuerza o se pliegue. Si no puede colocar la máquina FlexShaft de manera que la salida del conjunto del cable quede a menos de 4 pies (1,2 m)

de la entrada al desagüe, coloque una extensión del desagüe, usando un tubo y acoplamientos de diámetro semejante al desagüe. *Vea la Figura 5*. Si el conjunto del cable no está bien apoyado se puede torcer o plegar, lo cual podría dañar el cable o lesionar al operario. Si coloca una extensión también resulta más fácil ir metiendo el cable dentro del desagüe.



Figura 5 – Ejemplo de cómo extender el desagüe para que el acceso quede a menos de 4 pies (1,2 m) de la salida del cable

9. Desprenda la golpeadora de cadenas y jale unos 5 pies (1,5 m) de conjunto del cable fuera de la máquina.
10. Marque la vaina para indicar en qué punto se acerca la golpeadora de cadenas a la salida del desagüe cuando se saca del tubo. Puede marcar la vaina con cinta adhesiva. Esto reduce el riesgo de que la golpeadora de cadenas salga del desagüe dando latigazos. La distancia entre la marca y la golpeadora de cadenas depende de la configuración del desagüe, pero debe ser de por lo menos 5 pies (1,5 m).
11. Asegure que la golpeadora de cadenas esté bien instalada. *Vea la sección Instalación y ajuste de la golpeadora de cadenas.*
12. Introduzca el extremo con la golpeadora de cadenas por lo menos 1 pie (30 cm) dentro del desagüe.
13. Revise la zona de trabajo y determine si debe colocar barreras para mantener alejados a los observadores del lugar de trabajo y de la máquina limpiadora de desagües. El procedimiento de limpieza

puede ensuciar el lugar y los observadores podrían distraer al operario.

14. Coloque el interruptor de pie en un lugar donde pueda alcanzarlo fácilmente. Es necesario que el operario pueda agarrar y sostener el cable, controlar el interruptor de pie y alcanzar el conmutador REV/O-OFF/FOR.
15. Confirme que el conmutador REV/O-OFF/FOR esté en posición de apagado (O-OFF).
16. Extienda el cordón de electricidad a lo largo de la senda despejada. Con las manos secas, enchufe la limpiadora de desagües en un tomacorriente debidamente conectado a tierra. Para algunos GFCI, es necesario volver a reiniciarlos cada vez que se enchufan. Reinicie el GFCI si fuera necesario. Mantenga todas las conexiones secas y levantadas del suelo. Si el cordón no tiene el largo suficiente, use un cordón de extensión con las siguientes características:
 - Está en buenas condiciones.
 - Tiene un enchufe igual al enchufe en la máquina limpiadora de desagües.
 - Tiene la clasificación para uso al aire libre y tiene una designación de W o W-A (es decir, SOW), o cumple con los tipos H05VV-F, H05RN-F o diseño tipo IEC (60227 IEC 53, 60245 IEC 57).
 - Tiene alambre del grosor suficiente. Para cordones de extensión de hasta 50 pies (15,2 m), el alambre debe ser de 16 AWG (1,5 mm²) o más grueso. Para cordones de extensión de 50 a 100 pies (15,2 a 30,5 m), el alambre debe ser de 14 AWG (2,5 mm²) o más grueso.

Cuando use un cordón de extensión, el interruptor GFCI del cordón de la limpiadora de desagües no protege el cordón de extensión. Si el tomacorriente no cuenta con protección GCFI, se aconseja usar un GCFI entre el tomacorriente y el cordón de extensión, para reducir el riesgo de choque eléctrico si hubiera alguna falla en el cordón de extensión.

17. Coloque el conmutador REV/O-OFF/FOR en la posición O-OFF y con las manos secas desenchufe la máquina.

Instalación y ajuste de la golpeadora de cadenas

1. Seleccione la golpeadora de cadenas que corresponda a la tarea.

Las golpeadoras de cadenas se clasifican según el tamaño que se basa en el diámetro interior del collarín. Están diseñadas para cables de diámetros específicos. Las golpeadoras de cadenas de 3/8" se usan con cables de 3/8", etc. No debe usarse una golpeadora de cadenas de tamaño mayor junto con un cable de diámetro pequeño, como por ejemplo una golpeadora de cadenas de 1/2" con un cable de 3/8". *Vea la Figura 6 y la tabla de distancias entre collarines.*

Se pueden usar golpeadoras de cadenas sin puntas cortantes de carburo si los tubos son de tipos comunes. Estas golpeadoras de cadenas funcionan bien para desmenuzar atascos de grasa y bloqueos semejantes.

Las golpeadoras de cadenas con puntas cortantes de carburo se usan para desalojar las incrustaciones en las paredes internas de un tubo y para despejar raíces. Las puntas cortantes de carburo se usan para hacer una limpieza enérgica y podrían dañar el tubo, especialmente si se trata de un tubo de material menos duro, tal como los tubos de plástico o los tubos Orangeburg (de fibra prensada), tubos de pared delgada, o si la golpeadora de cadenas se deja en una sola posición durante demasiado tiempo.

No use golpeadoras de cadenas para limpiar tubos o artefactos de vidrio, cerámica, porcelana o materiales semejantes, ya que éstos podrían dañarse.

2. La *Figura 7* muestra un dibujo que indica cómo hacer correctamente la instalación y ajuste de las golpeadoras de cadenas. Hay dos mediciones claves para la instalación y ajuste de las golpeadoras de cadenas.

Distancia entre los collarines: Separe los collarines de la golpeadora de cadenas a una distancia ("Distancia entre collarines") que permita una buena separación de las cadenas cuando giran y chocan contra las paredes del tubo. La distancia entre collarines varía según el diámetro del cable y el diámetro del tubo, y generalmente se fija mediante un espaciador fabricado del material de la vaina ("espaciador de collarines"). Si se exige mayor flexibilidad para atravesar una curva en el tubo, se puede quitar el espaciador y se puede fijar la distancia entre collarines mediante una cinta para

MÁQUINA K9-306



Golpeadoras de cadenas

Golpeadoras de cadenas con puntas de carburo

Golpeadoras de cadenas de cabezal penetrante

NO. CAT.	66618	66623	66628	66633	66638	66643	66648	66653	66658	
DESCRIPCIÓN	K9-306 3"	K9-306 4"	K9-306 6"	K9-306 3" CARBURO	K9-306 4" CARBURO	K9-306 6" CARBURO	K9-306 - 3" CABEZAL PENETRANTE	K9-306 - 4" CABEZAL PENETRANTE	K9-306 - 6" CABEZAL PENETRANTE	
DIÁM. DEL TUBO	3"- 4" (75-100 mm)	4"-5" (100- 125 mm)	5"- 6" (125-150 mm)	3"- 4" (75-100 mm)	4"-5" (100- 125 mm)	5"- 6" (125-150 mm)	3"- 4" (75-100 mm)	4"-5" (100- 125 mm)	5"- 6" (125-150 mm)	
Tipo de tubo	COBRE	☑	☑	☑	☑	☑	☑	☑	☑	
	GALVANIZADO	☑	☑	☑	☑	☑	☑	☑	☑	
	HIERRO FUNDIDO	☑	☑	☑	☑	☑	☑	☑	☑	
	PVC	☑	☑	☑						
	ABS	☑	☑	☑						
	ORANGEBURG	☑	☑	☑						
	CORRUGADO	☑	☑	☑						
	ARCILLA	☑	☑	☑						
	Atascos	GRASA	☑	☑	☑	☑	☑	☑	☑	☑
		BLOQUEO BLANDO	☑	☑	☑	☑	☑	☑	☑	☑
INCRUSTACIONES					☑	☑	☑	☑	☑	
RAÍCES					☑	☑	☑	☑	☑	
TOALLITAS							☑	☑	☑	
SE INCLUYEN CON EL KIT			☑	☑						

Figura 6 – Tabla de selección de golpeadoras de cadenas

Máquina	Diám. del cable	Nº de cadenas	Golpeadora		
			Nº eslabones/cadena	Diámetro nominal del tubo	Distancia entre collarines recomendada
K9-306	3/8"	3	11	3" (75 mm)	4" (102 mm)
		3	13	4" (100 mm)	4 1/2" (114 mm)
		3	17	6" (150 mm)	5 1/2" (140 mm)

Tabla de distancias entre collarines

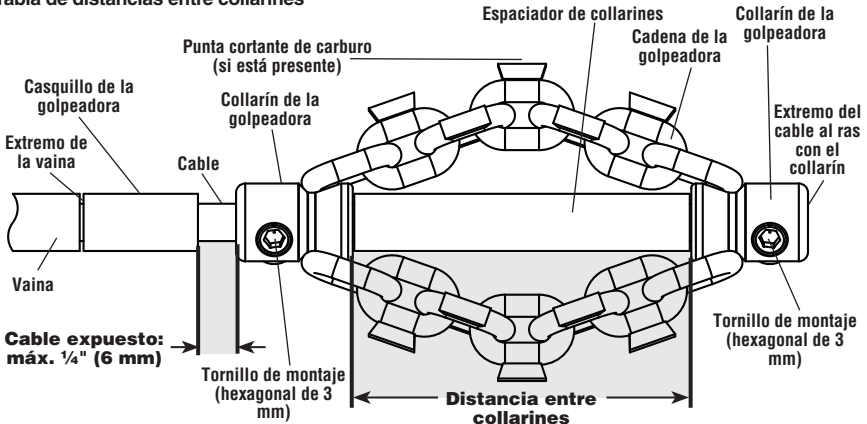


Figura 7 – Instalación y ajuste de la golpeadora de cadenas

medir. Cuando la golpeadora de cadenas se hace funcionar sin espaciador de collarines es más probable que el cable se vuelque durante el uso y se dañe. **Para reducir el riesgo de dañar el cable, no use puntas cortantes de carburo si no tiene colocado un espaciador de collarines.**

Cable expuesto: Reduzca a un mínimo el tramo de cable expuesto (es decir, el cable que no está cubierto por la vaina). Mientras más cable esté expuesto, más probable es que el cable se vuelque durante el uso y se dañe. Limite el cable expuesto a no más de 1/4" (6 mm); esto se fija con un casquillo hecho de la vaina ("casquillo de la golpeadora").

Se suministra la vaina junto con la limpiadora de desagües y es un repuesto que se puede pedir para permitir al operario hacer la configuración necesaria para cada aplicación. Use solamente vaina para limpiadora de desagües FlexShaft de RIDGID, del tamaño apropiado para el cable. Cuando se corte un tramo de vaina, el corte debe ser limpio y a escuadra. No dañe el cable cuando corte la vaina.

- Las golpeadoras de cadenas están sujetas al cable con tornillos de montaje, usando una llave hexagonal de 3 mm, que se suministra. Afloje los tornillos de montaje y extraiga del cable la golpeadora de cadenas, el espaciador y el casquillo.
- Si la golpeadora de cadenas está instalada, sostenga el extremo del cable, alejándolo de su cuerpo y de otras personas. Haga funcionar la máquina en REVERSA durante 5 segundos, para exponer el cable al máximo. Coloque el conmutador en posición O-OFF y desenchufe la máquina. Sostenga la vaina y jale del cable para tensarlo y exponer el cable al máximo.
- Inspeccione el extremo de la vaina para verificar que no esté dañado ni desgastado. El extremo de la vaina debe ser un corte limpio y a escuadra. Si es necesario, puede recortar un poco el extremo de la vaina.
- Si es necesario, corte una sección de la vaina para usar como espaciador de collarines del tamaño apropiado (vea la tabla de distancias entre collarines).

La distancia entre collarines se puede modificar según el tubo y la aplicación. A medida que aumenta la distancia entre collarines, disminuye el diámetro de las

cadenas, y vice versa. Si la distancia entre collarines está mal fijada, se reduce la eficiencia de la limpieza del tubo.

- Haga un ajuste de prueba de la golpeadora de cadenas, casquillo de la golpeadora y espaciador de collarines, como se muestra en la *Figura 7*. Las cadenas deben estar derechas. No debe ensamblar las partes si las cadenas están retorcidas. Para prevenir un desgaste excesivo del extremo del cable, la punta del cable debe estar al ras con el extremo del collarín.

Revise la longitud del cable expuesto. Para evitar que el cable se vuelque y se dañe, no debe haber más de ¼" (6 mm) de cable expuesto. Con el fin de limitar la longitud de cable expuesto, puede cortar un trozo de vaina para usar como casquillo de la golpeadora. **Siempre use un casquillo de la golpeadora para reducir el desgaste en el extremo de la vaina.**

- Una vez que la golpeadora de cadenas esté correctamente instalada sobre el cable como se muestra en la *Figura 7*, apriete bien los tornillos de montaje, con una llave hexagonal que se suministra. Si los tornillos de montaje no están bien apretados, se podría resbalar la golpeadora de cadenas y dañar el cable o perderse por el desagüe.

Instalación de escobillas

Se dispone de escobillas para distintas funciones, tales como la limpieza del interior del tubo, el centrado de la golpeadora de cadenas en el tubo, y la aplicación de compuestos de revestimiento. *Vea los usos propuestos en la información para cada tipo de escobilla.*

Las escobillas se pueden montar en diversas configuraciones. En la *Figura 8* se muestran algunas opciones.

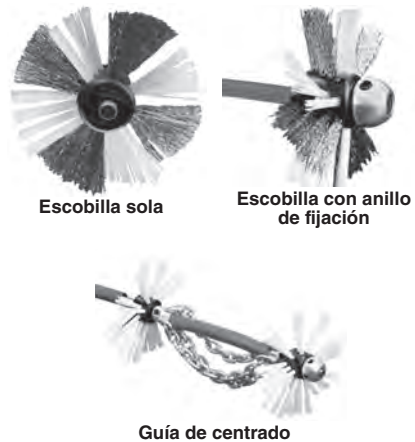


Figura 8 – Ejemplos de configuraciones de escobillas

La instalación de escobillas se asemeja a la instalación de las golpeadoras de cadenas. El collarín de la escobilla se coloca sobre el cable y se fija al apretar bien los tornillos de montaje. Cuando se coloca en el extremo del cable, la punta del cable está al ras con el collarín de la escobilla. Se dispone de anillos de fijación de escobillas para mejorar la retención de la escobilla por si se aflojan los tornillos de montaje durante el uso.

Igual que en el caso de las golpeadoras de cadenas, debe reducir al mínimo el tramo de cable expuesto (es decir, el cable que no está cubierto por la vaina). Mientras más cable esté expuesto, mas probable es que el cable se vuelque durante el uso y se dañe. Limite el cable expuesto a no mas de ¼ pulgada (6 mm); esto se fija con un casquillo hecho de la vaina ("casquillo de la golpeadora").

Instalación del cabezal penetrante

Se dispone de cabezales penetrantes para ayudar a crear un agujero en un atasco, y así permitir que fluya el agua por el desagüe y dejar entrar la golpeadora de cadenas en el atasco. *La instalación se muestra en la Figura 9.*

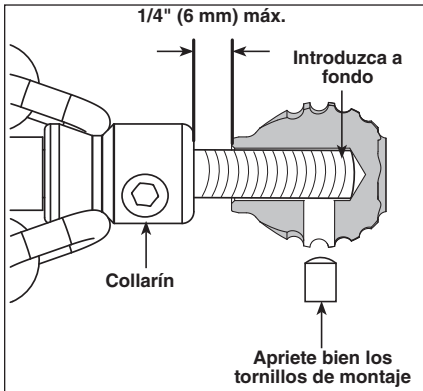


Figura 9 – Instalación del cabezal penetrante

Instrucciones de funcionamiento

⚠ ADVERTENCIA



Siempre use gafas de seguridad y guantes en buenas condiciones cuando use o maneje este aparato. Use guantes de látex o caucho, careta, ropa de protección personal, respirador u otros equipos de protección personal cuando sospeche que el desagüe contiene sustancias químicas, bacterias u otras sustancias tóxicas o infecciosas. Así se reduce el riesgo de infecciones, quemaduras y otras lesiones graves.

No permita que el extremo del cable con la golpeadora de cadenas deje de girar mientras esté andando la máquina. Esto puede causar tensión excesiva en el cable, que se podría torcer, plegar o cortar. Un cable que se tuerce, se pliega o se corta puede causar lesiones graves.

Cuando esté funcionando la máquina FlexShaft, mantenga una mano sobre el conjunto del cable. Esto permite un mejor control del cable y ayuda a evitar que el cable se tuerza, se pliegue o se corte. Así se reduce el riesgo de lesiones.

Coloque la máquina a menos de 4 pies (1,2 m) de la entrada del desagüe o apoye el cable expuesto apropiadamente cuando la máquina esté a más de 4 pies (1,2 m) de distancia. Si sitúa la máquina demasiado lejos, se reduce el control y el cable se podría torcer, plegar o cortar. Un cable que se tuerce, se pliega o se corta puede causar lesiones por golpes o aplastamiento.

Una sola persona debe controlar tanto el conjunto del cable como el interruptor de pie. Si el cable deja de girar, el operario debe ser capaz de

apagar el motor de la máquina para evitar que el cable se pliegue, se tuerza o se corte, reduciendo así el riesgo de lesiones.

Respete las instrucciones de funcionamiento para reducir el riesgo de lesiones debidas a un cable torcido o cortado, latigazos de la punta del cable, volcamiento de la máquina, quemaduras químicas, infecciones y otras causas.

1. Asegure que la máquina y el lugar de trabajo estén bien preparados y que no hayan observadores ni otras distracciones presentes.
2. Extraiga el conjunto del cable de la máquina y aliméntelo por el desagüe. Es necesario introducir por lo menos un pie (30 cm) de cable en el desagüe para evitar que la golpeadora de cadenas se salga y dé latigazos al echar a andar la máquina.

Coloque el conjunto del cable en una trayectoria directa entre la máquina y la entrada del desagüe, de manera que no cambie de dirección y no quede más que una mínima longitud expuesta. No doble el cable en ángulos agudos ya que esto aumenta el riesgo de que el cable se tuerza o se corte.

Si está usando una cámara para visualizar la limpieza del desagüe, puede introducir la cámara al mismo tiempo. Por lo general, el operario puede agarrar el conjunto del cable y la varilla de empuje de la cámara simultáneamente, para meterlos o sacarlos de tubo. Mantenga la cámara a una distancia de por lo menos 1,5 pies (50 cm) detrás de la golpeadora de cadenas.

AVISO Cuando esté girando la golpeadora de cadenas, no permita que choque contra el cabezal de la cámara ni la varilla de empuje, ya que podría dañarse la cámara.

3. Adopte la posición correcta para trabajar, para mejorar el control del conjunto del cable y de la máquina (vea la Figura 10):
 - Asegure que pueda soltar el interruptor de pie rápidamente.
 - Debe sujetar el conjunto del cable con ambas manos enguantadas, para controlar y apoyar el cable a medida que se introduce en el desagüe y el bloqueo.
 - Asegure que pueda mantener un buen equilibrio, que no tenga que estirarse por encima de la máquina y que no pueda caerse sobre la máquina, el desagüe o alguna otra cosa.
 - Debe ser capaz de alcanzar el conmutador REV/O-OFF/FOR.

Si el operario mantiene esta posición,

podrá mantener el control sobre el conjunto del cable y la máquina FlexShaft.



Figura 10 – El operario en posición correcta para trabajar

4. Confirme que por lo menos 12" (30 cm) del conjunto del cable esté dentro del desagüe.
5. Con las dos manos agarre el conjunto del cable que está entre la entrada del desagüe y la máquina. Jale 6 pulgadas a 12 pulgadas (15 cm a 30 cm) de cable fuera del tambor de manera que el cable esté ligeramente curvado en un arco. Debe sostener y controlar el cable con las dos manos enguantadas. Si no se sostiene el cable correctamente, se puede plegar o torcer, lo cual puede dañar el cable o lesionar al operario. Asegure que la salida del cable de la máquina limpiadora esté a menos de 4 pies (1,2 m) de la entrada del desagüe (Figura 10).
6. Coloque el conmutador REV/O-OFF/FOR en la posición FOR (AVANCE).
7. Oprima el interruptor de pie para echar a andar la máquina. Se produce una leve pausa antes de que empiece a rotar el cable. La persona que controla el cable también debe controlar el interruptor de pie. No haga funcionar la limpiadora de desagües con una persona que controla el cable y otra que controla el interruptor de pie, ya que esto podría hacer que el cable se pliegue, se tuerza o se corte.
8. La limpiadora de desagües FlexShaft limpia los tubos con un cable que gira a gran velocidad y con bajo par de torsión. Los conjuntos de cable FlexShaft son más

flexibles que otros tipos de cable para limpiar desagües. La máquina FlexShaft funciona mejor si se aplica una presión ligera y se introduce la golpeadora de cadenas lentamente en el atasco. **Es importante permitir que la limpieza del desagüe se logre mediante las cadenas de la golpeadora que giran a gran velocidad. No fuerce la golpeadora de cadenas para introducirla en el atasco.**

9. Uso de lubricante FlexShaft para introducir o retirar el conjunto del cable

En algunos casos es útil colocar lubricante FlexShaft de RIDGID en la superficie de la vaina cuando se introduce el cable en el desagüe. Esto facilita el avance del conjunto del cable por el tubo y aumenta la distancia de limpieza. Para colocar el lubricante, sostenga una toalla limpia en la palma de una mano enguantada, póngale lubricante a la toalla y vaya lubricando el cable a medida que lo introduce en el tubo (Figura 11). Vaya agregando más lubricante a la toalla según sea necesario durante la operación. La vaina tiene marcas impresas para indicar tramos de 5 pies (1,5 m) de largo, y así ayudar a llevar la cuenta de cuánto cable se ha sacado de la máquina.

Use solamente lubricante FlexShaft de RIDGID. Otros lubricantes podrían ser inapropiados para usar en un desagüe y podrían contaminar el agua.

Cuando recupere el conjunto del cable, es recomendable usar una toalla para ir limpiando la vaina del cable, quitándole la suciedad y residuos a medida que se retira del desagüe y se vuelve a introducir en el tambor.

10. Rotación de la golpeadora de cadenas

Por lo general, la golpeadora de cadenas está girando para hacer la limpieza mientras se retira el cable.

Haga girar el cable con la golpeadora de cadenas solamente si la golpeadora de cadenas está por lo menos 12" (30 cm) dentro del desagüe. Para girar el cable, agarre bien el cable y oprima el interruptor de pie. La persona que controla el cable también debe controlar el interruptor de pie. No haga funcionar la máquina con una persona encargada del cable y otra encargada del interruptor de pie. No permita que el conjunto del cable

se acumule fuera del desagüe ni que se curve o se combe. Esto puede hacer que el cable se tuerza, se pliegue o se corte. Puede detener la rotación del cable en cualquier momento; para hacerlo, suelte el interruptor de pie. Haga funcionar el cable a velocidad máxima para optimizar la limpieza cuando esté despejando una obstrucción. **No fuerce la golpeadora de cadenas cuando penetre un atasco.** Si hace girar la golpeadora de cadenas durante períodos breves de avance (FORWARD) y de reversa (REVERSE) a medida que se introduce el conjunto del cable por el desagüe, se facilita el paso del cable a lo largo de tubo y a través de obstrucciones.



Figura 11 – Aplicación de lubricante sobre la vaina del cable

11. Haga avanzar el conjunto del cable por el desagüe, generalmente sin que esté girando. Agarre la vaina cerca del lugar por donde sale de la caja de la máquina. Jale un tramo de 6 pulgadas a 12 pulgadas (15 a 30 cm) fuera de la máquina FlexShaft de manera que el cable esté levemente curvado. Debe mantener una mano enguantada sobre el conjunto del cable para controlarlo y apoyarlo. Si el cable no está bien sostenido, el conjunto del cable se podría plegar o torcer, lo cual puede dañar el cable o lesionar al operario. Vaya metiendo el conjunto del cable dentro del desagüe (Figura 12, Paso 1).
12. Siga introduciendo el conjunto del cable hasta que se encuentre con resistencia. Cuidadosamente despeje el atasco con

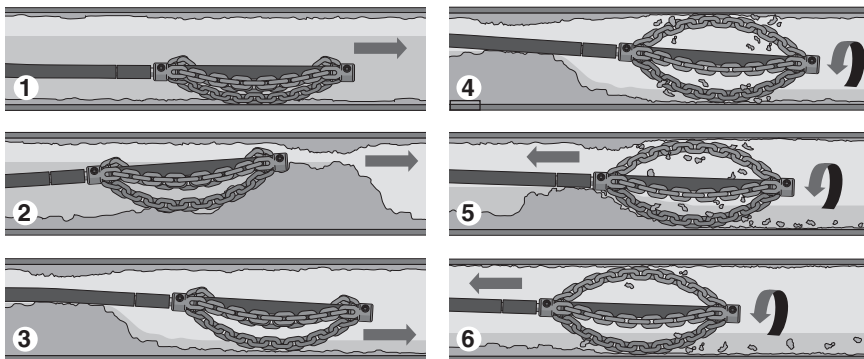
la golpeadora de cadenas. **No fuerce el conjunto del cable. Si la golpeadora de cadenas no puede girar, no puede limpiar el tubo.** Vaya llevando la cuenta de la cantidad de cable que introduce en el desagüe. Si el cable llega a una cloaca principal o pozo séptico, podría formar un nudo o causar algún otro tipo de daño (Figura 12, Paso 2).

13. Una vez desatascada la obstrucción, haga fluir un chorro de agua por el desagüe, si es posible, para arrastrar los residuos presentes en el tubo y para ayudar a limpiar el conjunto del cable a medida que se recupera. Para hacerlo, abra una llave de agua en el sistema, o use algún otro método. Preste atención al nivel del agua, ya que el desagüe podría volver a atascarse (Figura 12, Paso 2).
14. Una vez que la golpeadora de cadenas esté más allá del bloqueo o de la zona que debe limpiar, ponga el conmutador REV/O-OFF/FOR en la posición FOR y oprima el interruptor de pie para hacer girar la golpeadora de cadenas. Lentamente jale el conjunto del cable para sacarlo del desagüe, permitiendo que la golpeadora de cadenas en rotación vaya limpiando las paredes del tubo y desmenuzando el atasco (Figura 12, Pasos 4 y 5). **Si el cable deja de girar, no permita que la máquina siga andando.** Esto podría hacer que el cable se tuerza y se pliegue. Puede soltar el interruptor de pie en cualquier momento para parar la rotación del cable. Si hace girar el cable en reversa (REVERSE), facilita la limpieza del lado opuesto del tubo.

Controle la tensión del cable con la mano y mediante el sonido que emiten el motor y la golpeadora dentro del desagüe. Podría ser necesario retirar la golpeadora de cadenas fuera del atasco para permitir que recupere la velocidad de rotación.

Si la golpeadora de cadenas se queda pegada en el atasco, el limitador electrónico del par de torsión apaga el motor para reducir la posibilidad de que se dañe el cable. La luz LED del limitador del par de torsión empieza a parpadear para indicar esto. Suelte el interruptor de pie para permitir que el motor vuelva a funcionar. Coloque el conmutador REV/O-OFF/FOR en posición para que la rotación proceda en sentido opuesto. Agarre el cable con ambas manos enguantadas, oprima el

Pasos generales para el funcionamiento de las máquinas limpiadoras de desagües FlexShaft (a continuación):



1. Haga avanzar la golpeadora de cadenas (por lo general, sin que esté girando) hasta llegar a la zona del desagüe que es necesario limpiar.
2. Si hay un atasco, haga pasar la golpeadora de cadenas a través del atasco.
3. Si es posible, eche a andar un flujo de agua por el desagüe para que arrastre los recortes y desechos a medida que limpia el desagüe.
4. Haga girar el cable y la golpeadora de cadenas a velocidad máxima.
5. Siga haciendo girar la golpeadora. Lentamente vaya retirando el conjunto del cable para que la golpeadora de cadenas pueda desmenuzar el atasco.
6. Siga retirando el conjunto del cable lentamente mientras gira la golpeadora para que vaya limpiando las paredes del desagüe.

Figura 12 – Pasos generales del funcionamiento

interruptor de pie durante varios segundos y jale el cable hasta que la golpeadora se salga del atasco. Repita este paso si es necesario. En algunos casos podría ser posible jalar a mano el conjunto del cable y el bloqueo fuera del tubo. En esta situación, trabaje con cuidado para no dañar el conjunto del cable.

Coloque el conmutador REV/O-OFF/FOR en la posición FOR y siga limpiando el desagüe.

AVISO No permita que la golpeadora de cadenas en rotación golpee el cabezal de la cámara ni la varilla de empuje, ya que se podrían dañar.

15. Siga limpiando el resto del desagüe a medida que va recuperando el cable. Cuando haya completado la limpieza del tubo, recupere el cable e introdúzcalo nuevamente en la máquina limpiadora de desagües. Preste atención, ya que el cable se podría atascar en un bloqueo cuando lo esté retirando (Figura 12, Paso 6).
16. Vaya observando las marcas en la vaina a medida que recupera el conjunto del

cable. Cuando la golpeadora de cadenas esté cerca de la entrada del desagüe, suelte el interruptor de pie. No jale la golpeadora de cadenas fuera del desagüe si todavía está girando. La golpeadora de cadenas puede dar latigazos y causar lesiones graves.

17. Repita el procedimiento anterior si fuera necesario para lograr una limpieza completa.
18. Jale a mano el último tramo del conjunto del cable para sacarlo del desagüe y empújelo dentro del tambor. Prepare la máquina para su transporte.

Uso de la máquina con escobillas

El uso de la máquina con una escobilla es semejante al uso con golpeadora de cadenas. Las escobillas se usan para lograr una limpieza más minuciosa del tubo, y no para eliminar un atasco. Primero debe eliminar el atasco y residuos acumulados, mediante una golpeadora de cadenas y otros métodos. Las golpeadoras de cadenas generalmente

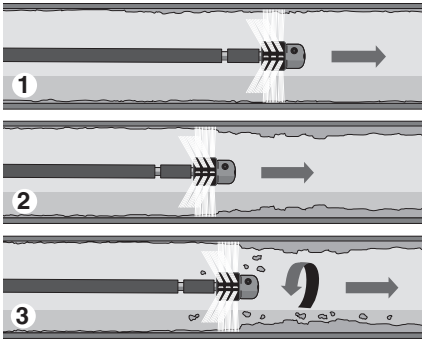


Figura 13 – Limpieza de las paredes del tubo con una escobilla

1. Haga avanzar la escobilla (generalmente sin que esté rotando) dentro del desagüe.
2. Cuando la escobilla llegue al sitio que se debe limpiar, en lo posible haga correr agua por el desagüe para que vaya arrastrando los residuos durante la limpieza.
3. Haga girar el cable y la escobilla a toda velocidad mientras que lentamente hace avanzar el cable por el desagüe para limpiar las paredes.

se hacen rotar a medida que el cable se va retirando del desagüe, pero las escobillas típicamente funcionan a medida que se hace avanzar el cable. Esto se hace para que la escobilla, que ocupa todo el interior del tubo, vaya empujando los residuos hacia adelante. Vea los pasos generales en la Figura 13.

Las escobillas también se pueden usar junto con una golpeadora de cadenas, para servir de dispositivo de centrado o para hacer una limpieza combinada. El uso depende de cada tarea y se deja a criterio del usuario.

Drenaje del tambor

Abra el tapón del drenaje (Figura 14). Incline la máquina hacia atrás sobre las ruedas y permita que escurra el líquido. Cierre el tapón cuando termine de drenar el tambor.



Figura 14 - Tapón de drenaje

Transporte

Introduzca todo el conjunto del cable dentro del tambor. Trabe la golpeadora de cadenas con la pinza. Envuelva el cordón y la manguera del interruptor de pie alrededor del

gancho. Vea la Figura 15. Antes de mover la máquina, asegure que el mango telescópico esté desplegado y trabado para el transporte. Si es necesario levantar la máquina, use técnicas apropiadas para levantarla. Tenga cuidado al subir o bajar escaleras y procure no resbalarse.



Figura 15 – Preparación para el transporte

Para cargar la máquina

El mango telescópico debe estar desplegado y trabado. Coloque la máquina con las ruedas orientadas hacia la plataforma del camión. Incline la máquina hacia atrás y apoye las ruedas de carga sobre la plataforma del camión. Use los mangos de carga (Figura 16) para levantar la máquina y deslizarla dentro del camión (Figura 17). Esté consciente del peso de la máquina. Use técnicas apropiadas para levantar la máquina; es posible que se necesite más de una persona.



Figura 16 – Uno de los métodos de transporte



Figura 17 – Colocación de la máquina en el camión

Almacenamiento

⚠ ADVERTENCIA La limpiadora de desagües se debe guardar bajo techo en un lugar seco o bien tapada si se guarda al aire libre. Almacene la máquina en un lugar bajo llave que esté fuera del alcance de los niños y de personas que no estén familiarizadas con las limpiadoras de desagües. Esta máquina puede causar lesiones graves en manos de una persona no capacitada para usarla.

Instrucciones de mantenimiento

⚠ ADVERTENCIA

La máquina debe estar desenchufada y el conmutador REV/O-OFF/FOR debe estar en posición O-OFF (apagada) antes de hacerle cualquier mantenimiento.

Siempre use anteojos de seguridad y equipo de protección personal apropiado cuando realice el mantenimiento.

Limpieza

Es recomendable usar una toalla para limpiar la suciedad y desechos de la vaina a medida que jala el conjunto del cable fuera del desagüe y antes de introducirlo en el tambor. Esto ayuda a mantener la limpieza del tambor y reduce el riesgo de que el cable se quede pegado dentro del tambor. Si fuera necesario, puede jalar el conjunto del cable fuera del tambor y abrir la caja para que el interior se pueda limpiar y lavar con un chorro de agua.

Limpie la máquina cuando sea necesario, usando agua caliente con jabón y/o desinfectantes suaves.

No sumerja la máquina en agua ni la limpie con un chorro de agua. No permita que le entre agua al motor ni a otros componentes eléctricos. Asegure que la unidad esté completamente seca antes de enchufarla y usarla.

Lubricación

Las máquinas limpiadoras de desagües FlexShaft se lubrican de por vida en la fábrica.

Punta del cable

El cable FlexShaft no puede acortarse ni modificarse. Si se daña el cable, es necesario reemplazarlo. No use un cable que esté dañado.

Reemplazo del conjunto del cable

1. Extraiga la golpeadora de cadenas del conjunto del cable.
2. Con una llave hexagonal de 4 mm, afloje los sujetadores de la tapa delantera (quedan conectados a la tapa y el marco). Levante la tapa y desenchufe el cable de conexión al motor (Figura 18). Introduzca el cable a través del casquillo para ir metiéndolo en la máquina. Extraiga la tapa delantera.

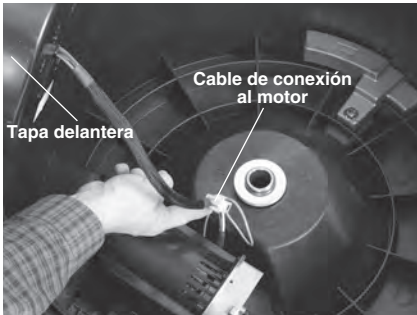


Figura 18 – Caja de la limpiadora, destapada

3. Afloje los tornillos de la pieza de retención de la vaina (A) en dos vueltas (Figura 19), sin extraer los tornillos.
4. Quite los sujetadores de la pieza de retención del cable y la pieza de retención (Figura 19).

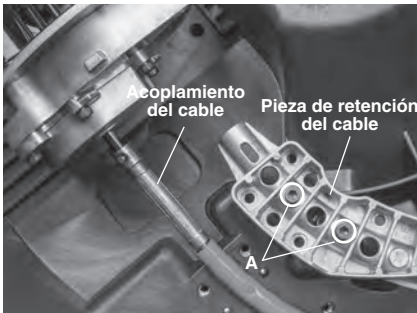


Figura 19 – Instalación del cable

5. Extraiga el anillo de retención y el pasador del acoplamiento del cable.
 - Desconecte el acoplamiento del eje de la caja de engranajes. Extraiga todo el conjunto del cable fuera de la máquina.
 - Introduzca el acoplamiento del cable a través del surco en el tambor e instale el acoplamiento sobre el eje de la caja de engranajes. Coloque el pasador y anillo de retención para que queden bien fijos. Todavía no coloque el cable.
 - Deslice el extremo de la pieza de retención del cable por encima del cable y dentro del surco del tambor.
 - Instale los cuatro sujetadores de la pieza de retención del cable, sin apretarlos. Vea la Figura 19. Asegure que la vaina del cable esté a una distancia de

menos de 1/4" (6 mm) del acoplamiento del cable. Cuando se mira a través de la ventanilla de inspección, el extremo de la vaina debe estar entre las dos líneas, según se indica en la Figura 20.

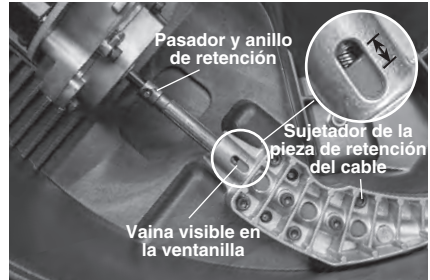


Figura 20 – Posición de la vaina en la ventanilla de inspección

6. Apriete bien todos los sujetadores de la pieza de retención.
7. Confirme que el extremo de la vaina esté entre las dos líneas indicadas en la ventanilla de inspección. Apriete bien los tornillos de la pieza de retención de la vaina.
8. Introduzca del cable en el surco del tambor.
9. Vaya introduciendo el extremo del cable a través del casquillo del cable en la tapa delantera. Instale la tapa delantera y fíjela bien.
10. Sin que esté colocada la golpeadora de cadenas, sostenga el extremo del cable alejado de su cuerpo y de otros. Haga funcionar la máquina en reversa (REV) durante 5 segundos para aumentar al máximo el tramo de cable expuesto. Coloque el conmutador en posición O-OFF y desenchufe la máquina.

Si no hay cable expuesto, recorte la vaina para dejar expuesto un tramo de cable de 1 a 2 pulgadas (25 a 50 mm) de largo. Agarre la vaina y jale el cable para tensarlo y para exponer un tramo máximo de cable. Recorte la vaina para exponer 7 3/4 pulgadas (197 mm) de cable, medidas desde el extremo del cable.

Consulte la sección *Instalación y ajuste de la golpeadora de cadenas, paso 5*, para completar la instalación de la golpeadora de cadenas.

Inspección y reemplazo de los cepillos del motor

Es necesario hacer la inspección de los cepillos cada 6 meses y si tienen una altura de menos de 1/2 pulgada (13 mm), debe cambiar los cepillos.

1. Para quitar la tapa, vea la sección *Reemplazo del conjunto del cable, Paso 2*.
2. Con un destornillador, extraiga las tapas de los cepillos (*Figura 21*). Extraiga cada cepillo y examínelo. Si está dañado o mide menos de 1/2" (13 mm), reemplácelo.
3. Proceda al revés para volver a colocar los cepillos.
4. Para asentar los cepillos, coloque la golpeadora de cadenas dentro del desagüe y deje andar la máquina 15 minutos en avance (FOR) y reversa (REV).

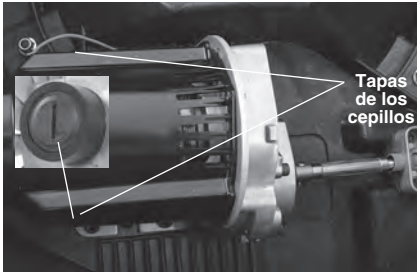


Figura 21 – Inspección y reemplazo de los cepillos del motor

Limitador electrónico del par de torsión y sobrecarga térmica del motor

La máquina tiene un limitador electrónico del par de torsión para prevenir la sobrecarga térmica del motor. Si el motor consume demasiada corriente, el motor se apaga para impedir que se dañe el cable y la luz LED del limitador electrónico del par de torsión empezará a parpadear. Suelte el interruptor de pie para permitir que empiece a andar nuevamente el motor. En la sección *Instrucciones de funcionamiento* se explica cómo puede retirar el cable que está pegado en un atasco.

Si la luz LED del limitador del par de torsión está continuamente encendida, significa que se ha sobrecalentado el motor. Para reiniciar la máquina sobrecalentada, desenchufe la máquina, coloque el conmutador REV/O-OFF/FOR en posición O-OFF y deje que la máquina se enfríe durante por lo menos 15 minutos. Si la máquina no se enciende o si se apaga repetidamente durante el funcionamiento normal, lleve la máquina a un servicio.

Resolución de problemas

PROBLEMA	POSIBLE RAZÓN	SOLUCIÓN
El cable se pliega o se corta.	<p>El cable se está forzando.</p> <p>La máquina FlexShaft o la golpeadora de cadenas no son las correctas para el diámetro del tubo.</p> <p>El conjunto del cable ha estado expuesto a ácidos o está corroído.</p> <p>El cable o la vaina están desgastados.</p> <p>El conjunto del cable no está correctamente apoyado.</p> <p>La golpeadora de cadenas no está bien instalada o ajustada.</p>	<p>No fuerce el conjunto del cable. Siga las instrucciones de operación.</p> <p>Use la máquina FlexShaft o la golpeadora de cadenas que correspondan al diámetro del tubo.</p> <p>Limpié el conjunto del cable en forma rutinaria.</p> <p>Reemplace el conjunto del cable desgastado.</p> <p>Sujete el cable correctamente. <i>Vea las instrucciones.</i></p> <p>Instale y ajuste correctamente la golpeadora de cadenas. <i>Vea las instrucciones.</i></p>
El cable gira en una dirección pero no en la otra.	<p>Hay un defecto en el conmutador REV/O-OFF/FOR.</p>	<p>Reemplace el conmutador. Lleve la máquina a un servicentro.</p>
El Interruptor del Circuito de Pérdida a Tierra (GFCI) se dispara cuando se enchufa la máquina.	<p>El cordón de electricidad está dañado.</p> <p>Hay un cortocircuito en el motor.</p> <p>Hay un defecto en el interruptor GFCI.</p> <p>Hay humedad en el motor, el conmutador o el enchufe.</p>	<p>Haga reemplazar el cordón. Lleve la máquina a un servicentro.</p> <p>Lleve a un servicentro autorizado.</p> <p>Haga reemplazar el cordón. Lleve la máquina a un servicentro.</p> <p>Lleve la máquina a un servicentro autorizado.</p>
La máquina se bambolea o se mueve cuando está limpiando el desagüe.	<p>El suelo está desnivelado o inestable.</p>	<p>Coloque la máquina en una superficie nivelada, despejada y estable.</p>
El conmutador no enciende el motor.	<p>Es necesario volver a instalar el GFCI.</p> <p>El motor se ha sobrecalentado. La luz LED del limitador electrónico del par de torsión está encendida.</p> <p>La luz LED del limitador electrónico del par de torsión está parpadeando.</p>	<p>Vuelva a instalar el GFCI.</p> <p>Vea la sección <i>Sobrecarga térmica del motor.</i></p> <p>Vea la sección <i>Limitador electrónico del par de torsión.</i></p>

Servicio y reparaciones

⚠ ADVERTENCIA

Esta máquina puede tornarse insegura si se repara o se mantiene incorrectamente.

La mayoría de las necesidades de servicio de esta máquina aparecen en las *Instrucciones de mantenimiento*. Cualquier problema que no aparezca en dicha sección debe encomendarse a un servicentro independiente de RIDGID. Use solamente repuestos RIDGID.

Para información sobre el servicentro independiente autorizado de RIDGID más cercano o si tiene preguntas sobre reparaciones o servicio, consulte la sección *Información de contacto* en este manual.

Equipo opcional

⚠ ADVERTENCIA

Para reducir el riesgo de lesiones graves, use solamente accesorios diseñados específicamente y recomendados para usar con la limpiadora de desagües FlexShaft de RIDGID, como los que se indican en la lista siguiente.

Nº Cat.	Descripción
66618	Golpeadora para cable de 3/8", tubo de 3", 3 cadenas
66623	Golpeadora para cable de 1/2", tubo de 4", 3 cadenas
66628	Golpeadora para cable de 3/8", tubo de 6", 3 cadenas
66633	Golpeadora para cable de 3/8", tubo de 3", 3 cadenas, puntas de carburo
66638	Golpeadora para cable de 1/2", tubo de 4", 3 cadenas, puntas de carburo
66643	Golpeadora para cable de 1/2", tubo de 6", 3 cadenas, puntas de carburo
66648	Golpeadora para cable de 3/8", tubo de 3", 3 cadenas, puntas de carburo con cabezal penetrante
66653	Golpeadora para cable de 3/8", tubo de 4", 3 cadenas, puntas de carburo con cabezal penetrante
66658	Golpeadora para cable de 1/2", tubo de 6", 3 cadenas, puntas de carburo con cabezal penetrante
64338	Lubricante FlexShaft, 8 onzas, 12 por caja
66663	Conjunto de 1/2" con cable, vaina, y acoplamientos, 125 pies
66668	12" de vaina para FlexShaft de 3/8"

Para una lista completa de equipos RIDGID disponibles para esta máquina, vea el catálogo RIDGID en línea en RIDGID.com o vea la *Información de contacto*.

Eliminación

Partes de estas máquinas contienen materiales valiosos y se pueden reciclar. Hay compañías locales que se especializan en el reciclaje. Deseche los componentes de acuerdo con todos los reglamentos correspondientes. Para más información sobre la eliminación de desechos, comuníquese con la agencia local de eliminación de residuos.



Para los países de la Comunidad Europea: ¡No deseche aparatos eléctricos en la basura común!

De acuerdo con el Lineamiento Europeo 2012/96/EU para Desechos de Equipos Eléctricos y Electrónicos y su implementación en la legislación nacional, los aparatos eléctricos inservibles deben desecharse por separado en una forma que cumpla con las normas del medio ambiente.

RIDGID® K9-306 FlexShaft™ Drain Cleaning Machine

RIDGE TOOL COMPANY
400 Clark Street
Elyria, Ohio 44035-6001
U.S.A.

Ridge Tool Europe NV
Ondernemerslaan 5428
3800 Sint-Truiden, Belgium

UK Importer
Ridge Tool UK (RIDGID)
44 Baker Street
London, W1U 7AL, UK

UKCA DECLARATION OF CONFORMITY

We declare that the machines listed above, when used in accordance with the operator's manual, meet the relevant requirements of the Directives and Standards listed below.

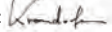


UKSI2008 No.1597, UKSI2016 No.1101,
UKSI2016 No.1091, UKSI2012 No.3032
IEC62841-1, IEC 62841-3-14, CISPR 14-1



5010236
Conforms to UL 62841-1 & UL STD. 62841-3-14
Certified to CSA C22.2 #62841-1 & CSA STD. C22.2 #62841-3-14



Signature: 
Name: Harald Krondorfer
Qualification: V.P. Engineering
Date: 03/13/2024

What is covered

RIDGID® tools are warranted to be free of defects in workmanship and material.

How long coverage lasts

This warranty lasts for the lifetime of the RIDGID® tool. Warranty coverage ends when the product becomes unusable for reasons other than defects in workmanship or material.

How you can get service

To obtain the benefit of this warranty, deliver via prepaid transportation the complete product to RIDGID c/o Emerson Professional Tools, LLC in, Elyria, Ohio or any RIDGID® AUTHORIZED INDEPENDENT SERVICE CENTER. Pipe wrenches and other hand tools should be returned to the place of purchase.

What we will do to correct problems

Warranted products will be repaired or replaced, at RIDGID's option, and returned at no charge; or, if after three attempts to repair or replace during the warranty period the product is still defective, you can elect to receive a full refund of your purchase price.

What is not covered

Failures due to misuse, abuse or normal wear and tear are not covered by this warranty. Seller is not responsible for any incidental or consequential damages.

How local law relates to the warranty

Some states do not allow the exclusion or limitation of incidental or consequential damages, so the above limitation or exclusion may not apply to you. This warranty gives you specific rights, and you may also have other rights, which vary, from state to state, province to province, or country to country.

No other express warranty applies

This FULL LIFETIME WARRANTY is the sole and exclusive warranty for RIDGID® products. No employee, agent, dealer, or other person is authorized to alter this warranty or make any other warranty on behalf of the RIDGE TOOL COMPANY.

To obtain further warranty information on your product please visit
www.RIDGID.com/us/en/warranty



Full lifetime warranty (garantie légale étendue à la durée de vie du produit, voir conditions de garantie / legal warranty extended to the product lifecycle, see warranty conditions)

Parts are available online at Store.RIDGID.com

RIDGID

Emerson Professional Tools, LLC

400 Clark Street

Elyria, Ohio 44035-6001

U.S.A.

Ce qui est couvert

Les outils RIDGID® sont garantis contre tous vices de matériaux et de main d'œuvre.

Durée de couverture

Cette garantie est applicable durant la vie entière de l'outil RIDGID®. La couverture cesse dès lors que le produit devient inutilisable pour raisons autres que des vices de matériaux ou de main d'œuvre.

Pour invoquer la garantie

Pour toutes réparations au titre de la garantie, il convient d'expédier le produit complet en port payé à la RIDGID c/o Emerson Professional Tools, LLC in, Elyria, Ohio) ou bien le remettre à un réparateur RIDGID® indépendant agréé. Les clés à pipe et autres outils à main doivent être ramenés au lieu d'achat.

Ce que nous ferons pour résoudre le problème

Les produits sous garantie seront à la discrétion de RIDGE TOOL, soit réparés ou remplacés, puis réexpédiés gratuitement ; ou si, après trois tentatives de réparation ou de remplacement durant la période de validité de la garantie le produit s'avère toujours défectueux, vous aurez l'option de demander le remboursement intégral de son prix d'achat.

Ce qui n'est pas couvert

Les défaillances dues au mauvais emploi, à l'abus ou à l'usure normale ne sont pas couvertes par cette garantie. Le vendeur ne sera tenue responsable d'aucuns dommages directs ou indirects.

L'influence de la législation locale sur la garantie

Puisque certaines législations locales interdisent l'exclusion des dommages directs ou indirects, il se peut que la limitation ou exclusion ci-dessus ne vous soit pas applicable. Cette garantie vous donne des droits spécifiques qui peuvent être éventuellement complétés par d'autres droits prévus par votre législation locale.

Il n'existe aucune autre garantie expresse

Cette GARANTIE PERPETUELLE INTEGRALE est la seule et unique garantie couvrant les produits RIDGID®. Aucun employé, agent, distributeur ou tiers n'est autorisé à modifier cette garantie ou à offrir une garantie supplémentaire au nom de la RIDGE TOOL COMPANY.

Qué cubre

Las herramientas RIDGID® están garantizadas contra defectos de la mano de obra y de los materiales empleados en su fabricación.

Duración de la cobertura

Esta garantía cubre a la herramienta RIDGID® durante toda su vida útil. La cobertura de la garantía caduca cuando el producto se torna inservible por razones distintas a las de defectos en la mano de obra o en los materiales.

Cómo obtener servicio

Para obtener los beneficios de esta garantía, envíe mediante porte pagado, la totalidad del producto a RIDGID® c/o Emerson Professional Tools, LLC in, Elyria, Ohio, o a cualquier Servicentro Independiente Autorizado de RIDGID®. Las llaves para tubos y demás herramientas de mano deben devolverse a la tienda donde se adquirieron.

Lo que hacemos para corregir el problema

El producto bajo garantía será reparado o reemplazado por otro, a discreción de RIDGID®, y devuelto sin costo; o, si aún resulta defectuoso después de haber sido reparado o sustituido tres veces durante el período de su garantía, Ud. puede optar por recibir un reembolso por el valor total de su compra.

Lo que no está cubierto

Esta garantía no cubre fallas debido al mal uso, abuso o desgaste normal. El vendedor no se hace responsable de daño incidental o consiguiente alguno.

Relación entre la garantía y las leyes locales

Algunos estados de los EE.UU. no permiten la exclusión o restricción referente a daños incidentales o consiguientes. Por lo tanto, puede que la limitación o restricción mencionada anteriormente no rija para Ud. Esta garantía le otorga derechos específicos, y puede que, además, Ud tenga otros derechos, los cuales varían de estado a estado, provincia a provincia o país a país.

No rige ninguna otra garantía expresa

Esta GARANTIA VITALICIA es la única y exclusiva garantía para los productos RIDGID®. Ningún empleado, agente, distribuidor u otra persona está autorizado para modificar esta garantía u ofrecer cualquier otra garantía en nombre de RIDGE TOOL COMPANY.

©2020, 2024 Ridge Tool Company

RIDGID and the Emerson logo are registered trademarks of Emerson Electric Co. or its subsidiaries in the US and other countries.
Any other trademarks belong to their respective holders.

999-995-214.10
REV. D

RIDGID

EMERSON