

OPERATOR'S MANUAL

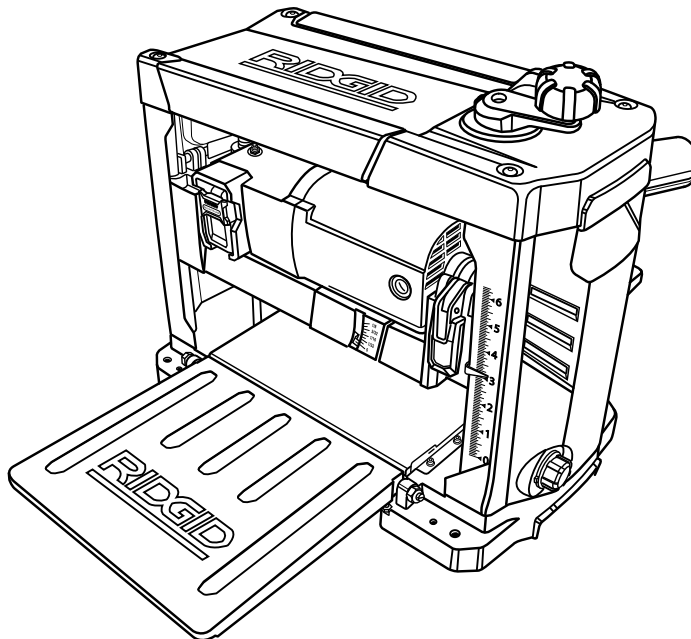
MANUEL D'UTILISATION

MANUAL DEL OPERADOR

13 in. THICKNESS PLANER

PLANEUSE À RABOTAGE DE 330 mm (13 po)
CEPILLO REGRUESADOR DE 330 mm (13 pulg.)

R4331



To register your RIDGID product, please visit:
<http://register.RIDGID.com>

Pour enregistrer votre produit de RIDGID, s'il vous plaît la visite :
<http://register.RIDGID.com>

Para registrar su producto de RIDGID, por favor visita:
<http://register.RIDGID.com>

TABLE OF CONTENTS

■ General Safety Rules.....	2-3
■ Specific Safety Rules	3-4
■ Symbols.....	5
■ Electrical.....	6-7
■ Glossary of Terms	8
■ Features.....	9
■ Assembly.....	10-11
■ Operation.....	12-14
■ Adjustments	15
■ Maintenance.....	16-17
■ Troubleshooting	18
■ Warranty	19
■ Parts Ordering / Service	Back Page

⚠ WARNING:

To reduce the risk of injury, the user must read and understand the operator's manual before using this product.

SAVE THIS MANUAL FOR FUTURE REFERENCE

TABLE DES MATIÈRES

■ Règles de sécurité générales	2-3
■ Règles de sécurité particulières	3-4
■ Symboles.....	5
■ Caractéristiques électriques.....	6-7
■ Glossaire	8
■ Caractéristiques	9
■ Assemblage.....	10-11
■ Utilisation.....	12-14
■ Réglages.....	15
■ Entretien	16-17
■ Dépannage	18
■ Garantie	19
■ Commande de pièces / réparation.....	Page arrière

⚠ AVERTISSEMENT :

Pour réduire les risques de blessures, l'utilisateur doit lire et veiller à bien comprendre le manuel d'utilisation avant d'employer ce produit.

CONSERVER CE MANUEL POUR FUTURE RÉFÉRENCE

ÍNDICE DE CONTENIDO

■ Reglas de seguridad generales.....	2-3
■ Reglas de seguridad específicas	3-4
■ Símbolos	5
■ Aspectos eléctricos.....	6-7
■ Glosario de términos	8
■ Características	9
■ Armado.....	10-11
■ Funcionamiento.....	12-14
■ Ajustes.....	15
■ Mantenimiento.....	16-17
■ Corrección de problemas.....	18
■ Garantía.....	19
■ Pedidos de piezas / servicio.....	Pág. posterior

⚠ ADVERTENCIA:

Para reducir el riesgo de lesiones, el usuario debe leer y comprender el manual del operador antes de usar este producto.

GUARDE ESTE MANUAL PARA FUTURAS CONSULTAS

GENERAL SAFETY RULES

WARNING:

Read and understand all instructions. Failure to follow all instructions listed below, may result in electric shock, fire and/or serious personal injury.

READ ALL INSTRUCTIONS

- **KNOW YOUR POWER TOOL.** Read the operator's manual carefully. Learn the tool's applications and limitations as well as the specific potential hazards related to this tool.
- **GUARD AGAINST ELECTRICAL SHOCK BY PREVENTING BODY CONTACT WITH GROUNDED SURFACES.** For example: pipes, radiators, ranges, refrigerator enclosures.
- **KEEP GUARDS IN PLACE** and in good working order.
- **REMOVE ADJUSTING KEYS AND WRENCHES.** Form habit of checking to see that keys and adjusting wrenches are removed from tool before turning it on.
- **KEEP WORK AREA CLEAN.** Cluttered areas and benches invite accidents. **DO NOT** leave tools or pieces of wood on the tool while it is in operation.
- **DO NOT USE IN DANGEROUS ENVIRONMENTS.** Do not use power tools in damp or wet locations or expose to rain. Keep the work area well lit.
- **KEEP CHILDREN AND VISITORS AWAY.** All visitors should wear safety glasses and be kept a safe distance from work area. Do not let visitors contact tool or extension cord while operating.
- **MAKE WORKSHOP CHILDPROOF** with padlocks and master switches, or by removing starter keys.
- **DON'T FORCE TOOL.** It will do the job better and safer at the feed rate for which it was designed.
- **USE RIGHT TOOL.** Don't force the tool or attachment to do a job it was not designed for. Don't use it for a purpose not intended.
- **USE THE PROPER EXTENSION CORD.** Make sure your extension cord is in good condition. Use only a cord heavy enough to carry the current your product will draw. An undersized cord will cause a drop in line voltage resulting in loss of power and overheating. A wire gauge size (A.W.G.) of at least **12** is recommended for an extension cord 50 feet or less in length. If in doubt, use the next heavier gauge. The smaller the gauge number, the heavier the cord.
- **DRESS PROPERLY.** Do not wear loose clothing, gloves, neckties, or jewelry. They can get caught and draw you into moving parts. Also wear protective hair covering to contain long hair.
- **ALWAYS WEAR SAFETY GLASSES WITH SIDE SHIELDS.** Everyday eyeglasses have only impact-resistant lenses, they are **NOT** safety glasses.
- **SECURE WORK.** Use clamps or a vise to hold work when practical. It's safer than using your hand and frees both hands to operate tool.
- **DON'T OVERREACH.** Keep proper footing and balance at all times.
- **MAINTAIN TOOLS WITH CARE.** Keep tools sharp and clean for better and safer performance. Follow instructions for lubricating and changing accessories.
- **DISCONNECT TOOLS.** When not in use, before servicing, or when changing attachments, blades, bits, cutters, etc., all tools should be disconnected.
- **AVOID ACCIDENTAL STARTING.** Be sure switch is off when plugging in any tool.
- **USE RECOMMENDED ACCESSORIES.** Consult the operator's manual for recommended accessories. The use of improper accessories may risk injury.
- **NEVER STAND ON TOOL.** Serious injury could occur if the tool is tipped or if the cutting tool is unintentionally contacted.
- **CHECK DAMAGED PARTS.** Before further use of the tool, a guard or other part that is damaged should be carefully checked to determine that it will operate properly and perform its intended function. Check for alignment of moving parts, binding of moving parts, breakage of parts, mounting and any other conditions that may affect its operation. A guard or other part that is damaged must be properly repaired or replaced by an authorized service center to avoid risk of personal injury.
- **USE THE RIGHT DIRECTION OF FEED.** Feed work into a blade or cutter against the direction of rotation of blade or cutter only.
- **NEVER LEAVE TOOL RUNNING UNATTENDED. TURN THE POWER OFF.** Don't leave tool until it comes to a complete stop.
- **PROTECT YOUR LUNGS.** Wear a face or dust mask if the cutting operation is dusty.
- **PROTECT YOUR HEARING.** Wear hearing protection during extended periods of operation.
- **DO NOT ABUSE CORD.** Never yank cord to disconnect from receptacle. Keep cord from heat, oil, and sharp edges.
- **USE OUTDOOR EXTENSION CORDS.** When tool is used outdoors, use only extension cords with approved ground connection that are intended for use outdoors and so marked.
- **NEVER USE IN AN EXPLOSIVE ATMOSPHERE.** Normal sparking of the motor could ignite fumes.

GENERAL SAFETY RULES

- **INSPECT TOOL CORDS PERIODICALLY.** If damaged, have repaired by a qualified service technician at an authorized service facility. The conductor with insulation having an outer surface that is green with or without yellow stripes is the equipment-grounding conductor. If repair or replacement of the electric cord or plug is necessary, do not connect the equipment-grounding conductor to a live terminal. Repair or replace a damaged or worn cord immediately. Stay constantly aware of cord location and keep it well away from the rotating blade.
- **INSPECT EXTENSION CORDS PERIODICALLY** and replace if damaged.
- **GROUND ALL TOOLS.** If tool is equipped with three-prong plug, it should be plugged into a three-hole electrical receptacle.
- **CHECK WITH A QUALIFIED ELECTRICIAN** or service personnel if the grounding instructions are not completely understood or if in doubt as to whether the tool is properly grounded.
- **USE ONLY CORRECT ELECTRICAL DEVICES:** 3-wire extension cords that have 3-prong grounding plugs and 3-pole receptacles that accept the tool's plug.
- **DO NOT MODIFY** the plug provided. If it will not fit the outlet, have the proper outlet installed by a qualified electrician.
- **KEEP TOOL DRY, CLEAN, AND FREE FROM OIL AND GREASE.** Always use a clean cloth when cleaning. Never use brake fluids, gasoline, petroleum-based products, or any solvents to clean tool.
- **STAY ALERT AND EXERCISE CONTROL.** Watch what you are doing and use common sense. Do not operate tool when you are tired. Do not rush.
- **DO NOT USE TOOL IF SWITCH DOES NOT TURN IT ON AND OFF.** Have defective switches replaced by an authorized service center.
- **NEVER TOUCH BLADE** or other moving parts during use.
- **NEVER START A TOOL WHEN ANY ROTATING COMPONENT IS IN CONTACT WITH THE WORKPIECE.**
- **DO NOT OPERATE A TOOL WHILE UNDER THE INFLUENCE OF DRUGS, ALCOHOL, OR ANY MEDICATION.**
- **WHEN SERVICING** use only identical replacement parts. Use of any other parts may create a hazard or cause product damage.
- **USE ONLY RECOMMENDED ACCESSORIES** listed in this manual or addendums. Use of accessories that are not listed may cause the risk of personal injury. Instructions for safe use of accessories are included with the accessory.
- **DOUBLE CHECK ALL SETUPS.** Make sure blade is tight and not making contact with tool or workpiece before connecting to power supply.

SPECIFIC SAFETY RULES




- **NEVER PERFORM THE PLANING OPERATION** with the cutter head, dust guide, or dust hood removed.
- **NEVER MAKE A PLANING CUT** deeper than 1/8 in.
- **DO NOT PLANE MATERIAL** shorter than 14 in. or narrower than 3/4 in.
- **MAINTAIN THE PROPER RELATIONSHIP** between the infeed and outfeed surfaces and the cutter head blade path.
- **SUPPORT THE WORKPIECE ADEQUATELY** at all times during operation; maintain control of the work at all times.
- **NEVER FEED THE WORK** from the rear of the planer.
- **DO NOT ATTEMPT TO PERFORM** an abnormal or little used operation without the use of sturdy and adequate jigs, fixtures, stops, and the like.
- **NEVER** plane more than one piece at a time. **DO NOT PLANE** more than one workpiece on the planer table at a time.
- **BEFORE STARTING UP,** recheck to make certain all holding screws are tight.
- **STOP THE MACHINE** and recheck the hex head bolts and blades for tightness after about 50 hours of operation.
- **DO NOT FORCE FEED THE WORKPIECE** through the machine. Let the planer apply the proper feed rate.
- **CHECK THE FEED ROLLERS** occasionally to be sure there are no chips or sawdust between any components.
- **PLANE ONLY SOUND LUMBER;** there should be no loose knots and as few tight knots as possible. Make sure the workpiece is free from nails, screws, stones, or other foreign objects that could break or chip the blades.
- **NEVER STAND DIRECTLY IN LINE** with either the infeed or outfeed sides. Stand off to one side.
- **MAKE SURE THE BLADES ARE ATTACHED** as described in the operation section. The blades are sharp and can easily cut your hand. Use caution in handling the blades and cutter head guard.

SPECIFIC SAFETY RULES







- **NEVER PUT YOUR FINGERS** into the dust hood or under the cutter guard.
- **ALLOW THE CUTTER HEAD** to reach full speed before using the planer.
- **REPLACEMENT PARTS.** All repairs, whether electrical or mechanical, should be made at your nearest authorized service center.
- **DO NOT** attempt to turn cutter head with hands.
- **IF ANY PART OF THIS TOOL IS MISSING** or should break, bend, or fail in any way, or should any electrical component fail to perform properly, shut off the power switch, remove the plug from the power source, and have damaged, missing, or failed parts replaced before resuming operation.
- **ALWAYS STAY ALERT!** Do not allow familiarity (gained from frequent use of your planer) to cause a careless mistake. **ALWAYS REMEMBER** that a careless fraction of a second is sufficient to inflict serious injury.
- **MAKE SURE THE WORK AREA HAS AMPLE LIGHTING** to see the work and that no obstructions will interfere with safe operation **BEFORE** performing any work using your planer.
- **ALWAYS TURN OFF TOOL** before disconnecting it to avoid accidental starting when reconnecting to power supply.
- **IF THE POWER SUPPLY CORD IS DAMAGED**, it must be replaced only by the manufacturer or by an authorized service center to avoid risk.
- **THIS TOOL** should have the following markings:
 - a) Wear eye protection with side shields.
 - b) Always unplug planer from power source before making any adjustments or changing blades.
 - c) Keep hands away from cutter head, rollers, belts, and pulleys during operation.
 - d) Wear heavy leather gloves and use caution when loosening blade locking screws, and when handling and changing blades.
 - e) Do not make any adjustments or attempt to free wood until tool has been disconnected from power source and blades have come to a complete stop.
 - f) Use caution as blades spin and coast to a stop when tool is turned off.
 - g) When servicing, use only identical replacement parts.
- **SAVE THESE INSTRUCTIONS.** Refer to them frequently and use to instruct other users. If you loan someone this tool, loan them these instructions also.

SYMBOLS

The following signal words and meanings are intended to explain the levels of risk associated with this product.

SYMBOL	SIGNAL	MEANING
	DANGER:	Indicates a hazardous situation, which, if not avoided, will result in death or serious injury.
	WARNING:	Indicates a hazardous situation, which, if not avoided, could result in death or serious injury.
	CAUTION:	Indicates a hazardous situation, that, if not avoided, may result in minor or moderate injury.
	CAUTION:	(Without Safety Alert Symbol) Indicates information considered important, but not related to a potential injury (e.g. messages relating to property damage).

Some of the following symbols may be used on this tool. Please study them and learn their meaning. Proper interpretation of these symbols will allow you to operate the tool better and safer.

SYMBOL	NAME	DESIGNATION/EXPLANATION
	Safety Alert	Indicates a potential personal injury hazard.
	Read Operator's Manual	To reduce the risk of injury, user must read and understand operator's manual before using this product.
	Eye Protection	Always wear eye protection with side shields marked to comply with ANSI Z87.1.
	No Hands Symbol	Failure to keep your hands away from the blade will result in serious personal injury.
	Wet Conditions Alert	Do not expose to rain or use in damp locations.
V	Volts	Voltage
A	Amperes	Current
Hz	Hertz	Frequency (cycles per second)
min	Minutes	Time
~	Alternating Current	Type of current
n_0	No Load Speed	Rotational speed, at no load
	Class II Construction	Double-insulated construction
.../min	Per Minute	Revolutions, strokes, surface speed, orbits, etc., per minute

ELECTRICAL

EXTENSION CORDS

Use only 3-wire extension cords that have 3-prong grounding plugs and 3-pole receptacles that accept the tool's plug. When using a power tool at a considerable distance from the power source, use an extension cord heavy enough to carry the current that the tool will draw. An undersized extension cord will cause a drop in line voltage, resulting in a loss of power and causing the motor to overheat. Use the chart provided below to determine the minimum wire size required in an extension cord. Only round jacketed cords listed by Underwriter's Laboratories (UL) should be used.

**Ampere rating (on tool data plate)

Cord Length	Wire Size (A.W.G.)					
	0-2.0	2.1-3.4	3.5-5.0	5.1-7.0	7.1-12.0	12.1-16.0
25'	16	16	16	16	14	14
50'	16	16	16	14	14	12
100'	16	16	14	12	10	—

**Used on 12 gauge - 20 amp circuit.

NOTE: AWG = American Wire Gauge

When working with the tool outdoors, use an extension cord that is designed for outside use. This is indicated by the letters "W-A" or "W" on the cord's jacket.

Before using an extension cord, inspect it for loose or exposed wires and cut or worn insulation.

WARNING:

Keep the extension cord clear of the working area. Position the cord so that it will not get caught on lumber, tools or other obstructions while you are working with a power tool. Failure to do so can result in serious personal injury.

WARNING:

Check extension cords before each use. If damaged replace immediately. Never use tool with a damaged cord since touching the damaged area could cause electrical shock resulting in serious injury.

ELECTRICAL CONNECTION

This tool is powered by a precision-built electric motor. It should be connected to a **power supply that is 120 volts, AC only (normal household current), 60 Hz.** Do not operate this tool on direct current (DC). A substantial voltage drop will cause a loss of power and the motor will overheat. If the tool does not operate when plugged into an outlet, double check the power supply.

SPEED AND WIRING

This speed is not constant and decreases under a load or with lower voltage. For voltage, the wiring in a shop is as important as the motor's horsepower rating. A line intended only for lights cannot properly carry a power tool motor. Wire that is heavy enough for a short distance will be too light for a greater distance. A line that can support one power tool may not be able to support two or three tools.

GROUNDING INSTRUCTIONS

See Figure 1, page 20.

In the event of a malfunction or breakdown, grounding provides a path of least resistance for electric current to reduce the risk of electric shock. This tool is equipped with an electric cord having an equipment-grounding conductor and a grounding plug. The plug must be plugged into a matching outlet that is properly installed and grounded in accordance with all local codes and ordinances.

Do not modify the plug provided. If it will not fit the outlet, have the proper outlet installed by a qualified electrician. Improper connection of the equipment-grounding conductor can result in a risk of electric shock. The conductor with insulation having an outer surface that is green with or without yellow stripes is the equipment-grounding conductor. If repair or replacement of the electric cord or plug is necessary, do not connect the equipment-grounding conductor to a live terminal.

Check with a qualified electrician or service personnel if the grounding instructions are not completely understood, or if in doubt as to whether the tool is properly grounded.

Repair or replace a damaged or worn cord immediately.

This tool is intended for use on a circuit that has an outlet like the one shown in figure 1. It also has a grounding pin like the one shown.

ELECTRICAL

MOTOR SAFETY PROTECTION

This motor should be blown out or vacuumed frequently to prevent sawdust buildup which can interfere with normal motor ventilation.

- Connect this tool to a power source with the appropriate voltage for your model and a 15-amp branch circuit with a 15-amp time delay fuse or circuit breaker. Using the wrong size fuse can damage the motor.
- If the motor won't start, turn off the power switch immediately and unplug the tool. Check the cutter head to make sure it turns freely. If the head is free, try to start the motor again. If the motor still does not start, refer to the *Troubleshooting* section.

Frequent "blowing" of fuses or tripping of circuit breakers may result if:

- Improper or dull blades are used.
NOTE: Do not continuously use the thickness planer set at maximum depth of cut (1/8 in.) or at full 13 in. width of cut. Continuous use at maximum cutting capacity will damage your motor.
- Motor is overloaded. Overloading can occur if a workpiece is fed too rapidly or if the tool is misaligned.
- Motor circuit is fused differently from recommendations. Always follow instructions for the proper fuse / breaker. Do not use a fuse/breaker of greater capacity without consulting a qualified electrician.
- Low voltage. Although the motor is designed for operation on the voltage and frequency specified on the motor, normal loads will be handled safely on voltage no more than ten percent above or below that figure. Heavy loads, however, require that voltage at motor terminals equal the voltage specified on the motor.

NOTE: Always check the connections, the load, and the supply circuit whenever the motor fails to perform satisfactorily.

MOTOR OVERLOAD PROTECTOR

See Figure 2, page 20.

WARNING:

To reduce the risk of serious personal injury from thrown objects or blade contact from unexpected starting, immediately turn off the tool if the protector stops the motor. Remove the switch key and allow the motor time to cool.

This planer is equipped with an overload protector device which will automatically "trip" and cause the planer to shut down if the motor is overloaded due to continuous heavy cutting.

The planer overload protector can only be reset manually by the user after the planer has been allowed to adequately cool. Allow 15–30 minutes.

Should the overload protector "trip":

- Turn switch **OFF (O)**.
- Raise carriage and remove board.
- After 15-30 minutes, reset the overload protector by pushing the reset button on the top of the motor housing. An audible click will indicate the overload protector is reset. Once the button is reset, the tool may be started and operated as normal.
NOTE: If the button won't click into place immediately, the motor is still too hot and must be allowed to cool.
- If motor has cooled, button will remain in.

GLOSSARY OF TERMS

Anti-Kickback Pawls (flooring, radial arm, and table saws)

A device which, when properly installed and maintained, is designed to stop the workpiece from being kicked back toward the front of the saw during a ripping operation.

Arbor

The shaft on which a blade or cutting tool is mounted.

Bevel Cut

A cutting operation made with the blade at any angle other than 90° to the table surface.

Compound Cut

A cross cut made with both a miter and a bevel angle.

Cross Cut

A cutting or shaping operation made across the grain or the width of the workpiece.

Cutter head (planers and jointer planers)

A rotating cutter head with adjustable blades or knives. The blades or knives remove material from the workpiece.

Dado Cut

A non-through cut which produces a square-sided notch or trough in the workpiece (requires a special blade).

Featherboard

A device used to help control the workpiece by holding it securely against the table or fence during any ripping operation.

FPM or SPM

Feet per minute (or strokes per minute), used in reference to blade movement.

Freehand

Performing a cut without the workpiece being guided by a fence, miter gauge, or other aids.

Gum

A sticky, sap-based residue from wood products.

Heel

Alignment of the blade to the fence.

Kerf

The material removed by the blade in a through cut or the slot produced by the blade in a non-through or partial cut.

Kickback

A hazard that can occur when the blade binds or stalls, throwing the workpiece back toward operator.

Miter Cut

A cutting operation made with the workpiece at any angle to the blade other than 90°.

Non-Through Cuts

Any cutting operation where the blade does not extend completely through the thickness of the workpiece.

Pilot Hole (drill presses)

A small hole drilled in a workpiece that serves as a guide for drilling large holes accurately.

Push Blocks (flooring and table saws)

Device used to hold the workpiece during cutting operations. This aid helps keep the operator's hands well away from the blade.

Push Blocks (jointer planers)

Device used to feed the workpiece over the jointer planer cutter head during any operation. This aid helps keep the operator's hands well away from the cutter head.

Push Sticks (flooring and table saws)

Device used to push the workpiece during cutting operations. A push stick should be used for narrow ripping operations. The aid helps keep the operator's hands well away from the blade.

Resaw

A cutting operation to reduce the thickness of the workpiece to make thinner pieces.

Resin

A sticky, sap-based substance that has hardened.

Revolutions Per Minute (RPM)

The number of turns completed by a spinning object in one minute.

Ripping or Rip Cut

A cutting operation along the length of the workpiece.

Riving Knife/Spreader/Splitter (flooring and table saws)

A metal piece, slightly thinner than the blade, which helps keep the kerf open and also helps to prevent kickback.

Saw Blade Path

The area over, under, behind, or in front of the blade. As it applies to the workpiece, that area which will be or has been cut by the blade.

Set

The distance that the tip of the saw blade tooth is bent (or set) outward from the face of the blade.

Snipe (planers)

Depression made at either end of a workpiece by cutter blades when the workpiece is not properly supported.

Through Sawing

Any cutting operation where the blade extends completely through the thickness of the workpiece.

Throw-Back

The throwing back of a workpiece usually caused by the workpiece being dropped into the blade or being placed inadvertently in contact with the blade.

Workpiece or Material

The item on which the operation is being done.

Worktable

Surface where the workpiece rests while performing a cutting, drilling, planing, or sanding operation.

FEATURES

PRODUCT SPECIFICATIONS

Feed Rate23.5 FPM
Input 120 V, 60 Hz, AC Only, 15 Amp
No Load Speed9,000 r/min. (RPM)

Max. Planing Height 6-1/8 in.
Max. Planing Width 13 in.
Max. Planing Depth 1/8 in.

KNOW YOUR PLANER

See Figure 3, page 20.

The safe use of this product requires an understanding of the information on the tool and in this operator's manual as well as a knowledge of the project you are attempting. Before use of this product, familiarize yourself with all operating features and safety rules.

15 AMP MOTOR

The planer has a powerful 15 amp motor with sufficient power to handle tough cutting jobs.

AUTOMATIC FEED

Infeed and outfeed rollers feed the wood through the planer.

DEPTH ADJUSTMENT CRANK HANDLE

The depth adjustment crank handle is used to raise and lower the cutter head assembly.

DUST GUIDE

Attaching a 2-1/2 in. shop vac hose to the dust guide helps minimize sawdust accumulation on the workpiece.

IND-I-CUT™ DEPTH GAUGE

The IND-I-CUT™ depth gauge is located on the front of your planer and measures depth of cuts up to 1/8 in.

REPEAT-A-CUT™

The REPEAT-A-CUT™, located on the right side of the planer, has preset measurements for repetitive planing.

RESET BUTTON

The reset button opens the power line circuit when the motor temperature exceeds a safe level, when the motor is overloaded, or when a lower voltage condition exists.

SCALE

Quickly check the thickness of a workpiece using the scale.

SURE-CUT™ CARRIAGE LOCK

The SURE-CUT™ Carriage Lock helps minimize snipe on the end of the workpiece by locking the cutter head in place.

SWITCH ASSEMBLY AND SWITCH KEY

The planer has an easy access switch. To lock in the **OFF (O)** position, remove the switch key. Place the key in a location inaccessible to children and others not qualified to use the tool.

TABLE EXTENSIONS

Infeed and outfeed table extensions are attached to the machine and fold upright for easy storage. These table extensions are helpful when planing long workpieces.

THICKNESS SCALE

The thickness scale accurately displays the height of the cutter blades to a maximum of 6 in.

TOOL STORAGE

A magnetic blade wrench can be stored on the left side panel of the planer.

ASSEMBLY

TOOLS NEEDED

See Figure 4, page 21.

The following tools (not included or drawn to scale) are needed for assembly and maintenance:

- Framing Square

LOOSE PARTS LIST

See Figure 5, page 21.

The following items are included with the tool:

Key		
No.	Description	Qty.
A	Dust guide	1
B	Magnetic blade wrench	1
C	Switch key	1
D	Depth adjustment crank handle	1
E	Lock washer	1
F	Hex socket screw	1
	Operator's Manual (not shown)	1

UNPACKING

This product requires assembly.

NOTE: Every RIDGID® Thickness Planer is tested at the factory to insure its performance. You may see small amounts of wood dust and chips on your new planer.

- Carefully lift the tool from the carton and place it on a level work surface.

NOTE: This tool is heavy. To avoid back injury, lift with your legs, not your back, and get help when needed.

WARNING:

Do not use this product if any parts on the Loose Parts List are already assembled to your product when you unpack it. Parts on this list are not assembled to the product by the manufacturer and require customer installation. Use of a product that may have been improperly assembled could result in serious personal injury.

-
- Inspect the tool carefully to make sure no breakage or damage occurred during shipping.
 - Do not discard the packing material until you have carefully inspected and satisfactorily operated the product.
 - Remove the plastic covering the planer table prior to turning on this product.
 - The saw is factory set for accurate cutting. After assembling it, check for accuracy. If shipping has influenced the settings, take to an authorized service center.
 - If any parts are damaged or missing, please call 1-866-539-1710 for assistance.

WARNING:

If any parts are damaged or missing do not operate this product until the parts are replaced. Use of this product with damaged or missing parts could result in serious personal injury.

WARNING:

Do not attempt to modify this tool or create accessories not recommended for use with this tool. Any such alteration or modification is misuse and could result in a hazardous condition leading to possible serious personal injury.

WARNING:

Do not connect to power supply until assembly is complete. Failure to comply could result in accidental starting and possible serious personal injury.

MOUNTING THE PLANER TO WORKBENCH

If your planer is to be used in a permanent location, it is recommended you secure it to a workbench or other stable surface. When mounting the planer to a workbench, holes should be drilled through the supporting surface of the workbench.

- Mark holes on workbench where planer is to be mounted using holes in planer base as a template for hole pattern.
- Drill four holes through workbench.
- Place planer on workbench aligning holes in the planer base with holes drilled in the workbench.
- Insert four bolts (not included) and tighten securely with lock washers and hex nuts (not included).

NOTE: All bolts should be inserted from the top. Install the lock washers and hex nuts from the underside of the workbench.

Supporting surface where planer is mounted should be examined carefully after mounting to insure that no movement during use can result. If any tipping or walking is noted, secure workbench or support surface before beginning planing operation.

ASSEMBLY

CLAMPING PLANER TO WORKBENCH

See Figure 6, page 21.

If the planer is to be used as a portable tool, it is recommended you fasten it permanently to a mounting board that can easily be clamped to a workbench or other stable surface. The mounting board should be of sufficient size to avoid tipping while planer is in use. Any good grade plywood or chipboard with a 3/4 in. thickness is recommended.

- Mark holes on board where planer is to be mounted using holes in planer base as a template for hole pattern.
- Follow last three steps in section **Mounting Planer to Workbench**.

If lag bolts are used, make sure they are long enough to go through holes in planer base and material the planer is being mounted to. If machine bolts are used, make sure bolts are long enough to go through holes in planer base, the material being mounted to, and the lock washers and hex nuts.

INSTALLING DEPTH ADJUSTMENT CRANK HANDLE

See Figure 7, page 21.

- Using the hex socket screw and lock washer, attach the depth adjustment crank handle securely to the planer.

NOTE: The handle has a D-shape that will need to align to properly secure.



WARNING:

Never operate the planer without the dust guide in place. Failure to install the dust guide could expose operator to fan and result in serious personal injury.

INSTALLING THE DUST GUIDE

See Figure 8, page 22.

- Remove socket head screw and nut from dust guide.
- From the back of the machine, slide the dust guide over the exhaust port.

NOTE: The tab on the exhaust port should slide between the two tabs on the dust guide and align with the screw holes.

- Place the socket head screw through the dust guide and tab.
- Install nut and secure in place using the blade wrench.

NOTE: To minimize sawdust accumulation on your workpiece, attach a 2-1/2 in. shop vac to the dust guide.

LEVELING THE TABLE EXTENSIONS

See Figures 9 - 10, page 22.

The infeed and outfeed table extensions are attached to the planer. Shipped in a folded, upright position, the table extensions must be in the down position before planing can begin. For accurate planing, table extensions must be level with the planer table.

NOTE: For optimum performance, always check to make sure the table extensions are level before beginning planing operations.

- Place a straight edge or level across both the planer table and table extensions.
- If adjustment is necessary, lift table extensions and loosen lock nuts. Adjust stop screws (one on each side) until extension table is level with planer table.
- Press down on the table extension to ensure the table extension is properly seated.
- Tighten lock nuts securely when adjustments are complete.

OPERATION

WARNING:

Do not allow familiarity with tools to make you careless. Remember that a careless fraction of a second is sufficient to inflict serious injury.

WARNING:

Always wear eye protection with side shields marked to comply with ANSI Z87.1. Failure to do so could result in objects being thrown into your eyes, resulting in possible serious injury.

WARNING:

Do not use any attachments or accessories not recommended by the manufacturer of this tool. The use of attachments or accessories not recommended can result in serious personal injury.

WARNING:

The use of this planer on materials not listed could damage the planer and could cause serious personal injury.

WARNING:

Never plane workpiece with loose knots or foreign objects. Do not plane workpieces that are severely bowed, twisted, or knotted. Cutter blades can dull, chip, or break causing possible serious personal injury.

WARNING:

Do not force feed the workpiece through the machine. Let the planer apply the proper feed rate.

APPLICATIONS

You may use this tool for the purpose listed below:

- Planing the surface of a piece of lumber.

THICKNESS PLANING

Thickness planing sizes workpiece to desired thickness while creating a smooth, level surface. Thickness of each cut will depend on type of wood (hardwood versus softwood), width of workpiece, straightness, dryness, and grain composition. Whenever working with a new type of wood, make thin test cuts on a scrap piece of wood first to determine potential problems with the workpiece.

PLANING TIPS

- Thickness planers work best if at least one side of the workpiece has a flat surface. When both sides of a workpiece are rough, use a surface planer or jointer first to define the initial flat surface. Plane one side of the workpiece then flip the workpiece and plane the surface of the reverse side.
- Always plane both sides of a workpiece to reach the desired thickness. This will leave the workpiece with uniform moisture to prevent warp during the drying process.
- When one end of the workpiece is thicker than the opposite end by more than 1/8 in., make several cuts with the planer starting with light planing cuts first. Remember, light cuts create a finer finish than heavier cuts.
- Do not plane a workpiece less than 5/16 in. thick.
- Do not plane a workpiece less than 3/4 in. wide.
- Do not plane workpiece shorter than 14 in. long as this will cause kickback.
- Do not plane more than one workpiece at a time.
- Do not lower the cutter head assembly lower than 5/16 in.
- Do not continuously use the planer set at the maximum depth of cut (1/8 in.) or at full width of cut (13 in.). Continuous use at maximum cutting capacities will damage the motor.
- Worn cutter blades will affect cutting accuracy. Planing with dull or nicked cutter blades may produce ridges or rough workpiece surfaces.
- Gum and pitch on the cutter blades and feed rollers will cause them to wear prematurely. Using a gum and pitch remover to keep your cutter blades and feed rollers clean will prolong their wear.
- Refer to the *Maintenance* section of this operator's manual for instructions on how to remove and replace or turn the cutter blades.

NOTE: Cutter blades are double-edged and can be turned once to the opposite, unused edge before replacement is required. Cutter blades must ALWAYS be replaced as a set.

OPERATION

AVOIDING SNIPE

Snipe, or depressions made at either end of a workpiece by cutter blades, can occur when the board is not properly supported. Although snipe may be barely noticeable, it is important to keep the workpiece parallel and flat with the planer table to minimize snipe. Butting workpieces end-to-end as they are fed through the planer will minimize the problem, especially for shorter pieces, because it provides a more stable feed.

For workpieces longer than 48 in., greater care must be taken to reduce the problem because the additional length means more of the total weight is unsupported by the planer table and rollers, causing the shifting weight to work against keeping the stock flat.

To remove snipe from a finished workpiece, cut off the end of the workpiece where snipe is noticeable.

WARPED WOOD

Little or no warpage is the ideal condition for planing a workpiece. Simply turn the workpiece over and plane it to the desired thickness. Otherwise, plane the top first, turn the workpiece and plane the bottom.

For a board that is cupped or bowed across its width, the best method is to rip the board lengthwise down the middle and plane the pieces separately. This method eliminates much of the waste in planing cupped or bowed workpieces.

The only way to remove the bow from a workpiece that is cupped or bowed down its length is to use a jointer.

Avoid using severely warped wood as it can jam the planer. If it must be used, rip it in half before planing to help minimize the possibility of jamming. If jamming does occur, turn the switch off and unplug the planer immediately. Raise the cutter head assembly high enough to remove the workpiece easily. Carefully check to make sure no damage to the tool has occurred before making the next planing pass.

Always feed the workpiece in the direction of the grain. This allows the cutter blades to sever the wood fibers instead of tearing them. Feeding against the grain can also cause the cutter blades to chip the workpiece.

POWER SWITCH

See Figure 11, page 22.

The planer is equipped with a power switch that has a built-in locking feature. This feature is intended to prevent unauthorized and possible hazardous use by children and others.

TO TURN THE PLANER ON:

- With the switch key inserted into the switch, lift the switch to turn **ON (I)**.

TO TURN THE PLANER OFF:

- With the switch key inserted into the switch, push the switch down to turn **OFF (O)**.

TO LOCK THE PLANER:

- Place the switch in the **OFF (O)** position.
- Remove the switch key from the switch and store in a secure location.

WARNING:

Always remove the switch key when the tool is not in use and keep it in a safe place. In the event of a power failure, turn the switch **OFF (O)** and remove the key. This action will prevent the tool from accidentally starting when power returns.

WARNING:

Always make sure the workpiece is not in contact with the blade before operating the switch to start the tool. Failure to heed this warning could cause the workpiece to be kicked back toward the operator and result in serious personal injury.

USING SURE-CUT™ CARRIAGE LOCK

See Figure 12, page 23.

Never adjust the cutter head assembly with the cutter head lock in the “locked” position. A complete rotation of the depth adjustment crank handle moves the cutter head assembly 1/16 in.

TO RAISE THE CUTTER HEAD:

- With the power switch in the **OFF (O)** position, lift the SURE-CUT™ Carriage Lock to unlock the cutter head assembly.
- Turn the depth adjustment crank handle clockwise to raise the cutter head.
- Once cutter head is in the desired position, lock the cutter head by pushing the SURE-CUT™ Carriage Lock down.

TO LOWER THE CUTTER HEAD:

- With the power switch in the **OFF (O)** position, lift the SURE-CUT™ Carriage Lock to unlock the cutter head assembly.
- Turn the depth adjustment crank handle counterclockwise to lower the cutter head.
- Once cutter head is in the desired position, lock the cutter head by pushing the SURE-CUT™ Carriage Lock down.

OPERATION

ADJUSTING PLANING DEPTH

See Figure 12, page 23.

The depth adjustment crank handle is used to set the amount of wood being removed in a planing pass. Never make a planing cut deeper than 1/16 in. for hardwood up to 6 in. wide or 1/32 in. for hardwood between 6 in. and 13 in. wide.

NOTE: Never adjust blade height with the cutter head in the locked position.

NOTE: Do not continuously use the planer at the maximum depth of cut (1/8 in.) as it will damage the motor.

Rotate the depth adjustment crank handle to position the cutter head at the desired planing depth. Each full revolution of the handle will raise or lower the cutter head 1/16 in.

IND-I-CUT™ DEPTH GAUGE

See Figures 12-13, page 23.

The IND-I-CUT™ depth gauge indicates the amount of wood to be removed in a planing pass. The workpiece must be positioned under the depth gauge on the front of the planer.

Never make a planing cut deeper than:

- 1/8 in. for material up to 6 in. wide - 1/16 in. for hardwood
- 1/16 in. for material 6 in. - 13 in. wide - 1/32 in. for hardwood

Do not continuously use the planer at the maximum depth of cut, 1/8 in., as it will damage the motor.

PLANING

See Figure 14, page 23.

WARNING:

Never plane workpiece with loose knots or foreign objects. Do not plane workpieces that are severely bowed, twisted, or knotted. Cutter blades can dull, chip, or break causing possible serious personal injury.

Use scrap wood for your first planing attempt. Once you have planed the wood, check all measurements for accuracy. If measurements are not exact, see *Adjustment* section for further instruction.

Before each use of the planer, check for loose fasteners, fittings, or hardware; be sure the dust hood is securely mounted; and ensure the blade cutter rotates freely. Lower the cutter head assembly to approximately 1 in. above the planer table surface. Without putting any load on the planer, test the motor by turning the planer on and allowing it to reach full speed. If the planer sounds excessively loud or has excessive vibration, turn off the machine immediately and check again for any loose hardware, retightening any you may find.

WARNING:

To avoid serious personal injury, do not stand directly in line with the front or rear of the planer. If an object is thrown from the planer, it will travel in this direction.

- Stand to one side of the planer infeed area.
- Turn switch **ON (I)**.
- Lift the work to the table by grasping the edges of the board at approximately the middle of the length. Rest the board end on the feed table and direct the board into the planer.
NOTE: Boards longer than 24 in. should have additional support from free-standing material stands.
- Push slightly on the board and allow the automatic feed to take the board.
- Release the board to allow the automatic feed to function properly. Do not push or pull on the workpiece.
- Move to one side at the rear of the planer and receive the planed lumber by grasping it in the same manner as it was fed. Do not grasp any portion of the board which has not gone past the outfeed area of the table.

REPLANING USING REPEAT-A-CUT™

See Figure 15, page 23.

The planer has a replane feature using preset markers for repetitive planing. The REPEAT-A-CUT™ allows you to plane material to a set measurement. The maximum depth of the replane indicator is 1-3/4 in.

- Raise cutter head assembly to a height greater than 1-3/4 in.
- Rotate the REPEAT-A-CUT™ to the desired height.
- Lower the cutter head assembly to desired cutting depth for the first planer pass.
- Stand to one side of the planer infeed area.
- Turn switch **ON (I)**.
- Plane the workpiece (see **Adjusting Planing Depth** for maximum depth of cut).
- Repeat passes, lowering the cutter head on each progressive pass until handle stops reaching the REPEAT-A-CUT™ setting.
- Repeat above steps for additional boards to be planed to REPEAT-A-CUT™ setting.
- After completion of REPEAT-A-CUT™ planing, reset REPEAT-A-CUT™ to 1/8 in.

ADJUSTMENTS

WARNING:

Before performing any adjustment, make sure the tool is unplugged from the power supply and the switch is in the **OFF (O)** position. Failure to heed this warning could result in serious personal injury.

THICKNESS SCALE ADJUSTMENT

See Figure 16, page 24.

Located on the right front of the planer, the thickness scale shows the depth of the finished workpiece. Inaccurate cuts can be prevented by routinely checking the alignment of the thickness scale.

- Table extensions must be level with planer table.
- Plane a scrap piece of wood then measure the thickness of the finished piece.
- If properly adjusted, the thickness of the finished piece should be the same as indicated on the thickness scale.
- If out of adjustment, loosen the scale indicator screws holding the scale indicator and adjust the thickness indicator to the correct setting.
- Retighten screws securely.

BLADE ADJUSTMENT

See Figure 17, page 24.

WARNING:

Always wear heavy leather gloves and use caution when loosening blade locking screws and handling and/or changing blades. Blades are sharp and can cause serious injury.

Tiny nicks may appear on the blades as a result of picking up sand or other particles on a workpiece and then running the workpiece through the planer. Slight adjustments can be made to one or both blades to offset such planing imperfections.

- Unplug the planer.
 - Lower the cutter head assembly.
 - Remove the dust hood screws holding the dust hood in place. Remove hood and set aside.
-

WARNING:

To avoid injury, NEVER rotate the cutter head by hand.

- If cutter head is not locked, rotate until it locks.
NOTE: Rotating the cutter head is accomplished by turning the dust exhaust fan with your fingers until the cutter head locks in place.
- Using the magnetic blade wrench, loosen, but do not remove, the blade locking screws that secure the blade in the cutter head.
- Push the end of the cutter blade on either the left or right side to shift the blade as desired. The blade can be shifted up to 3/64 in.
- Retighten the blade locking screws securely.
- Replace the dust hood and reinstall dust hood screws to secure.

MAINTENANCE

WARNING:

When servicing, use only identical replacement parts. Use of any other part may create a hazard or cause product damage.

WARNING:

Always wear eye protection with side shields marked to comply with ANSI Z87.1 during product operation. If operation is dusty, also wear a dust mask.

GENERAL MAINTENANCE

Avoid using solvents when cleaning plastic parts. Most plastics are susceptible to damage from various types of commercial solvents and may be damaged by their use. Use clean cloths to remove dirt, carbon dust, etc.

WARNING:

Do not at any time let brake fluids, gasoline, petroleum-based products, penetrating oils, etc., come in contact with plastic parts. They contain chemicals that can damage, weaken, or destroy plastic.

LUBRICATION

All of the bearings in this tool are lubricated with a sufficient amount of high grade lubricant for the life of the unit under normal operating conditions. Therefore, no further lubrication is required.

WARNING:

To ensure safety and reliability, all repairs should be performed by a qualified service technician at an authorized service center to avoid risk of personal injury.

MOTOR/ELECTRICAL

The universal motor is easy to maintain but must be kept clean. Do not allow water, oil, or sawdust to accumulate on or in it. The sealed bearings are permanently lubricated and need no further attention.

CLEANING

- Unplug the planer.

Sawdust buildup and other debris can cause the tool to plane inaccurately. Periodic cleaning and waxing is needed for accurate, precision planing.

Do not allow sawdust to accumulate on the planer. Clean the dust hood after each use.

DANGER:

Rotating blades under dust hood. In order to avoid personal injury, keep fingers away.

Moving parts should be cleaned regularly with penetrating oil and lubricated with a light coating of medium-weight machine oil.

Paste wax should be applied to the planing table surface to ease the movement of workpieces across it, but be careful not to use so much that it will be absorbed into the wood and interfere with staining.

Check feed rollers after each use for resin buildup, because feed rollers must be clean to be effective. If buildup occurs, use a mild, nonflammable tar and pitch remover.

BLADE WRENCH STORAGE

See Figure 18, page 24.

For your convenience, the blade wrench can be stored in the left hand side panel.

Dispose of used blades properly. Wrap blades in tape before disposal to avoid accidental injury.

MAINTENANCE

CORD STORAGE

See Figure 19, page 24.

When not in use, the power cord should be wrapped around the planer.

CAUTION:

Check extension cords before each use. If damaged, replace immediately. Never use tool with a damaged cord since touching the damaged area could cause electrical shock resulting in serious injury.

BRUSH REPLACEMENT

See Figure 20, page 25.

Externally accessible brush assemblies are located at the right front and the left rear of the planer. These brushes should be inspected every 10 to 15 operating hours for wear. Replace both brushes when either brush has less than 1/4 in. of carbon remaining.

NOTE: The dust hood may be removed for easier access when removing the rear brush cap.

- Unplug planer and remove the switch key.
- Using a flat-head screwdriver, unscrew the brush cap. The brush assembly is spring-loaded and will pop out when you remove the cap.
- Remove the brush assembly (brush and spring) and inspect for wear. If less than 1/4 in. of carbon remains on brush, replace both brush assemblies. Never replace one side without replacing the other.
- Install new brush assembly, if required, or reinstall old brush assembly.
- Replace cap and tighten to secure.

BLADE REPLACEMENT

See Figures 21 - 25, page 25.

WARNING:

Always wear heavy leather gloves and use caution when loosening blade locking screws and handling and/or changing blades. Blades are sharp and can cause serious injury.

The planer is equipped with replaceable/disposable double-edged cutter blades attached to a rotating cutter head. Worn cutter blades will affect cutting accuracy and may produce ridges on the workpiece.

NOTE: The replacement blades may appear slightly different than the original blades.

- Unplug the planer.
- Lower the cutter head assembly to 1 in. height.
- From the back of the planer, remove the dust hood screws holding the dust hood in place.
- Remove the dust hood.
- If cutter head is not locked, rotate until it locks.
NOTE: Rotating the cutter head is accomplished by turning the dust exhaust fan with your fingers until the cutter head locks in place. The cutter head lock will engage when the head is rotated. Do not operate thickness planer without the dust hood in place or the planer will be damaged.
- Carefully loosen and remove the blade locking screws.
- Using the magnetic blade wrench, remove the blade lock bar by placing the blade wrench on blade, lifting slightly, then pulling straight out.
- Repeat above step to remove the blade.
NOTE: If you are changing to the second side of the blade, rotate the blade “end for end” keeping the same flat side down. This correctly positions the blade for reinstallation.
- Using the magnetic blade wrench, align holes in blade with pins on cutter head and push the installed blade in firmly. Check that the blade edge is parallel to the cutter head slot.
- Align blade lock bar over the blade then securely retighten the blade locking screws.
- Push and hold the cutter head lock down and rotate fan slightly to unlock the cutter head.
- Release cutter head lock and rotate the cutter head to the next lock position to access the second blade.
- Repeat the above steps for the third blade.
- Replace the dust hood.

NOTE: ILLUSTRATIONS START ON PAGE 20 AFTER FRENCH AND SPANISH LANGUAGE SECTIONS.

TROUBLESHOOTING

PROBLEM	POSSIBLE CAUSE	SOLUTION
Snipe (depressions at ends of workpiece)	Dull cutter blades Incorrect butted stock Unit not securely mounted	Replace or turn cutter blades. Butt pieces end-to-end as they are fed into planer. Tighten lag bolts.
Torn grain	Too deep a blade setting Workpiece being fed against grain Dull cutter blades	Reduce depth of cut. Feed other end of board first. Replace or turn cutter blades.
Fuzzy/rough grain	High wood moisture content Dull cutter blades Too deep a blade setting Incorrect feeding speed	Dry wood before planing. Replace or turn cutter blades. Reduce depth of cut. Check for adequate power supply. Check cord and plug for damage. Check condition of motor brushes.
Uneven depth of cut	Cutter head assembly not level with planer surface Unstable roller spring pressure Feed roller worn unevenly	Have service performed by an authorized service center. Have service performed by an authorized service center. Have service performed by an authorized service center.
Board thickness does not match depth scale indicator	Depth scale incorrectly set Dirty planing table	Adjust depth scale. Clean and wax planing table.
Cutter head height difficult to adjust	Dirty elevation spindle Worn chain	Clean and lubricate spindle. Have service performed by an authorized service center.
Will not start	Not plugged in Blown circuit Motor failure Loose wire ON/OFF switch malfunction Motor is overloaded	Check power source. Replace fuse, reset breaker, or call electrician. Have service performed by an authorized service center. Have service performed by an authorized service center. Have service performed by an authorized service center. Push reset button.
Interrupted operation	Unit overloaded Circuit overloaded	Reduce load. Operate on circuit separate from other appliances or motors or connect to circuit with adequate amp rating.
Cutter head will not lower to plane material	REPEAT-A-CUT™ setting too high.	Lower REPEAT-A-CUT™ setting to 1/8 in.

WARRANTY

RIDGID® HAND HELD AND STATIONARY POWER TOOL 3 YEAR LIMITED SERVICE WARRANTY

Proof of purchase must be presented when requesting warranty service.

Limited to RIDGID® hand held and stationary power tools purchased 2/1/04 and after. This product is manufactured by One World Technologies, Inc. The trademark is licensed from RIDGID®, Inc. All warranty communications should be directed to One World Technologies, Inc., attn: RIDGID® Hand Held and Stationary Power Tool Technical Service at (toll free) 1-866-539-1710.

90-DAY SATISFACTION GUARANTEE POLICY

During the first 90 days after the date of purchase, if you are dissatisfied with the performance of this RIDGID® Hand Held and Stationary Power Tool for any reason you may return the tool to the dealer from which it was purchased for a full refund or exchange. To receive a replacement tool you must present proof of purchase and return all original equipment packaged with the original product. The replacement tool will be covered by the limited warranty for the balance of the 3 YEAR service warranty period.

WHAT IS COVERED UNDER THE 3 YEAR LIMITED SERVICE WARRANTY

This warranty on RIDGID® Hand Held and Stationary Power Tools covers all defects in workmanship or materials and normal wear items such as brushes, chucks, motors, switches, cords, gears and even cordless batteries in this RIDGID® tool for three years following the purchase date of the tool. Warranties for other RIDGID® products may vary.

HOW TO OBTAIN SERVICE

To obtain service for this RIDGID® tool you must return it; freight prepaid, or take it in to an authorized service center for RIDGID® branded hand held and stationary power tools. You may obtain the location of the authorized service center nearest you by calling (toll free) 1-866-539-1710 or by logging on to the RIDGID® website at www.ridgid.com. When requesting warranty service, you must present the original dated sales receipt. The authorized service center will repair any faulty workmanship, and either repair or replace any part covered under the warranty, at our option, at no charge to you.

WHAT IS NOT COVERED

This warranty applies only to the original purchaser at retail and may not be transferred. This warranty only covers defects arising under normal usage and does not cover any malfunction, failure or defect resulting from misuse, abuse, neglect, alteration, modification or repair by other than an authorized service center for RIDGID® branded hand held and stationary power tools. Consumable accessories provided with the tool such as, but not limited to, blades, bits and sand paper are not covered.

RIDGID®, INC. AND ONE WORLD TECHNOLOGIES, INC. MAKE NO WARRANTIES, REPRESENTATIONS OR PROMISES AS TO THE QUALITY OR PERFORMANCE OF ITS POWER TOOLS OTHER THAN THOSE SPECIFICALLY STATED IN THIS WARRANTY.

ADDITIONAL LIMITATIONS

To the extent permitted by applicable law, all implied warranties, including warranties of MERCHANTABILITY or FITNESS FOR A PARTICULAR PURPOSE, are disclaimed. Any implied warranties, including warranties of merchantability or fitness for a particular purpose, that cannot be disclaimed under state law are limited to three years from the date of purchase. One World Technologies, Inc. and RIDGID®, Inc. are not responsible for direct, indirect, incidental or consequential damages. Some states do not allow limitations on how long an implied warranty lasts and/or do not allow the exclusion or limitation of incidental or consequential damages, so the above limitations may not apply to you. This warranty gives you specific legal rights, and you may also have other rights which vary from state to state.

One World Technologies, Inc.

P.O. Box 1427

Anderson, SC 29622

RÈGLES DE SÉCURITÉ GÉNÉRALES

AVERTISSEMENT :

Lire attentivement toutes les instructions. Le non-respect de toutes les instructions ci-dessous peut entraîner un choc électrique, un incendie et/ou des blessures graves.

LIRE TOUTES LES INSTRUCTIONS

- **VEILLER À BIEN CONNAÎTRE L'OUTIL.** Lire attentivement le manuel d'utilisation. Apprendre les applications et les limites de l'outil, ainsi que les risques spécifiques relatifs à son utilisation.
- **SE PROTÉGER DES CHOC ÉLECTRIQUES EN ÉVITANT TOUT CONTACT DU CORPS AVEC DES SURFACES MISES À LA TERRE.** Par exemple : tuyaux, radiateurs, cuisinières, réfrigérateurs.
- **MAINTENIR TOUS LES DISPOSITIFS DE PROTECTION EN PLACE** et en bon état de fonctionnement.
- **RETIRER LES CLÉS ET OUTILS DE RÉGLAGE.** Prendre l'habitude de vérifier que tous les outils et clés de réglage en ont été retirés de l'outil avant de le mettre en marche.
- **GARDER LE LIEU DE TRAVAIL PROPRE.** Les établis encombrés et les endroits sombres sont propices aux accidents. **NE PAS** laisser d'outils ou de pièces de bois sur la machine en fonctionnement.
- **NE PAS UTILISER DANS DES ENVIRONNEMENTS DANGEREUX.** Ne pas utiliser les outils électriques dans des endroits mouillés ou humides, ne pas les exposer à la pluie. Garder le lieu de travail bien éclairé.
- **GARDER LES ENFANTS ET VISITEURS À L'ÉCART.** Tous les visiteurs doivent porter des lunettes de sécurité et se tenir à bonne distance de la zone de travail. Ne pas laisser les visiteurs toucher l'outil ou son cordon d'alimentation pendant le fonctionnement.
- **ASSURER LA SÉCURITÉ DES ENFANTS** en installant des cadenas et des disjoncteurs ou en retirant les clés de contact.
- **NE PAS FORCER L'OUTIL.** Il exécutera le travail mieux et de façon moins dangereuse s'il fonctionne dans les limites prévues.
- **UTILISER L'OUTIL APPROPRIÉ.** Ne pas porter de vêtements amples, gants, cravate ou bijoux. Ces articles pourraient être happés et tirer la main ou une partie du corps dans les pièces en mouvement. Les cheveux longs doivent être ramassés sous un couvre-chef.
- **UTILISER UN CORDON PROLONGATEUR ADÉQUAT.** S'assurer que le cordon prolongateur est en bon état. Utiliser exclusivement un cordon d'une capacité suffisante pour supporter le courant de fonctionnement de l'outil. Un cordon de capacité insuffisante causerait une baisse de la tension de ligne, entraînant une perte de puissance et une surchauffe. Un calibre de fil (A.W.G) d'au minimum **12** est recommandé pour un cordon prolongateur de 15 m (50 pi) ou moins. En cas de doute, utiliser un cordon du calibre immédiatement supérieur. Moins le numéro de calibre est élevé, plus la capacité du fil est grande.
- **PORTER UNE TENUE APPROPRIÉE.** Ne pas porter de vêtements amples, gants, cravate ou bijoux. Ces articles pourraient être happés et tirer la main ou une partie du corps dans les pièces en mouvement. Des gants en caoutchouc et des chaussures antidérapantes sont recommandées pour le travail à l'extérieur. Les cheveux longs doivent être ramassés sous un couvre-chef.
- **TOUJOURS PORTER DES LUNETTES DE SÉCURITÉ À COQUES LATÉRALES.** Les lunettes de vue ordinaires sont munies seulement de verres résistants aux impacts ; ce ne sont **PAS** des lunettes de sécurité.
- **ASSUJETTIR LES PIÈCES.** Dans la mesure du possible, utiliser des serre-joints ou un étau pour maintenir la pièce. Cette pratique réduit les risques et laisse les deux mains libres.
- **NE PAS TRAVAILLER HORS DE PORTÉE.** Toujours se tenir bien campé et en équilibre.
- **ENTREtenir SOIGNEUSEMENT LES OUTILS.** Garder les outils bien affûtés et propres pour accroître la sécurité et les performances. Suivre les instructions de lubrification et de changement d'accessoires.
- **DÉBRANCHER TOUS LES OUTILS.** Tous les outils doivent être débranchés lorsqu'ils ne sont pas en usage et avant toute opération d'entretien ou de changement d'accessoire, lame, foret, fers, etc.
- **ÉVITER LES DÉMARRAGES ACCIDENTELS.** S'assurer que le commutateur est en position d'arrêt avant de brancher un outil.
- **UTILISER LES ACCESSOIRES RECOMMANDÉS.** Voir les accessoires recommandés dans le manuel d'utilisation. L'utilisation d'accessoires inadéquats peut causer des blessures.
- **NE JAMAIS MONTER SUR L'OUTIL.** Un basculement de l'outil ou le contact accidentel avec l'accessoire de coupe peut causer des blessures graves.
- **VÉRIFIER L'ÉTAT DES PIÈCES.** Avant d'utiliser l'outil de nouveau, examiner soigneusement les pièces et dispositifs de protection qui semblent endommagés afin de déterminer s'ils fonctionnent correctement et s'ils remplissent les fonctions prévues. Vérifier l'alignement des pièces mobiles, s'assurer qu'aucune pièce n'est bloquée ou cassée, vérifier la fixation de chaque pièce et s'assurer qu'aucun autre problème ne risque d'affecter le bon fonctionnement de l'outil. Pour éviter les risques de blessures, toute protection ou pièce endommagée doit être correctement réparée ou remplacée dans un centre de réparations agréé.
- **ENGAGER LES PIÈCES DANS LE SENS CORRECT.** Le matériau à couper ne doit être engagé que contre le sens de rotation de la lame.

RÈGLES DE SÉCURITÉ GÉNÉRALES

- **NE JAMAIS LAISSER L'OUTIL EN FONCTIONNEMENT SANS SURVEILLANCE. COUPER L'ALIMENTATION ÉLECTRIQUE.** Ne pas s'éloigner de l'outil avant qu'il soit parvenu à un arrêt complet.
- **PORTER UNE PROTECTION RESPIRATOIRE.** Porter un masque facial ou respiratoire si le travail produit de la poussière.
- **PORTER UNE PROTECTION AUDITIVE.** Porter une protection auditive durant les périodes d'utilisation prolongée.
- **NE PAS MALTRAITER LE CORDON D'ALIMENTATION.** Ne jamais tirer sur le cordon pour le débrancher de la prise secteur. Garder le cordon à l'écart de la chaleur, de l'huile et des objets tranchants.
- **N'UTILISER QUE DES CORDONS PROLONGATEURS POUR EXTÉRIEUR.** Pour les travaux à l'extérieur, utiliser exclusivement des cordons spécialement conçus à cet effet, marqués en conséquence, et dotés d'une prise de terre agréé.
- **NE JAMAIS UTILISER CET OUTIL DANS UNE ATMOSPHÈRE EXPLOSIVE.** Les étincelles normalement produites par le moteur pourraient enflammer les vapeurs.
- **INSPECTER RÉGULIÈREMENT LES CORDONS DE L'OUTIL.** Faire remplacer tout commutateur défectueux par un technicien qualifié ou un centre de réparations agréé. Le fil à gaine verte, avec ou sans traceur jaune est le fil de terre. Si le cordon doit être réparé ou remplacé, ne pas connecter le fil de terre de l'outil sur une borne sous tension. Tout cordon endommagé doit être réparé ou remplacé immédiatement. Toujours rester conscient de l'emplacement du cordon et veiller à le tenir à l'écart de la lame en rotation.
- **INSPECTER RÉGULIÈREMENT LES CORDONS PROLONGATEURS** et les remplacer s'ils sont endommagés.
- **METTRE TOUS LES OUTILS À LA TERRE.** Si un outil est équipé d'une fiche à trois broches, il doit être branché sur une prise secteur à trois trous.
- **CONSULTER UN ÉLECTRICIEN QUALIFIÉ** ou le personnel de service si les instructions de mise à la terre ne sont pas bien comprises, ou en cas de doute au sujet de la mise à la terre.
- **N'UTILISER QUE DES ACCESSOIRES ÉLECTRIQUES APPROPRIÉS :** Cordons prolongateurs à 3 fils doté d'une fiche à 3 broches branchée sur une prise triphasée compatible avec la fiche de l'outil.
- **NE PAS MODIFIER** la fiche fournie. Si elle ne peut pas être insérée dans la prise secteur, faire installer une prise adéquate par un électricien qualifié.
- **GARDER L'OUTIL SEC, PROPRE ET EXEMPT D'HUILE OU DE GRAISSE.** Toujours utiliser un chiffon propre pour le nettoyage. Ne jamais utiliser de liquide de freins, d'essence ou de produits à base de pétrole pour nettoyer l'outil.
- **RESTER VIGILANT ET GARDER LE CONTRÔLE.** Se montrer attentif et faire preuve de bon sens. Ne pas utiliser l'outil en état de fatigue. Ne pas se presser.
- **NE PAS UTILISER L'OUTIL SI LE COMMUTATEUR NE PERMET PAS DE LE METTRE EN MARCHÉ OU DE L'ARRÊTER.** Faire remplacer les commutateurs défectueux dans un centre de réparations agréé.
- **NE JAMAIS TOUCHER LA LAME** ou les pièces en mouvement pendant le fonctionnement.
- **NE JAMAIS METTRE UN OUTIL EN MARCHÉ LORSQU'UNE PIÈCE EN ROTATION QUELCONQUE EST EN CONTACT AVEC LA PIÈCE À COUPER.**
- **NE PAS UTILISER CET OUTIL SOUS L'INFLUENCE DE L'ALCOOL, DE DROGUES OU DE MÉDICAMENTS.**
- Utiliser exclusivement des pièces identiques à celles d'origine **POUR LES RÉPARATIONS.** L'usage de toute autre pièce pourrait créer une situation dangereuse ou endommager l'outil.
- **UTILISER EXCLUSIVEMENT LES ACCESSOIRES RECOMMANDÉS** dans ce manuel ou ses addendas. L'emploi de tout accessoire non recommandé peut présenter un risque de blessure. Les instructions de sécurité d'utilisation sont fournies avec les accessoires.
- **VÉRIFIER DEUX FOIS TOUS LES RÉGLAGES.** S'assurer que la lame est bien serrée et ne toucher ni l'outil, ni la pièce à raboter avant de brancher sur le secteur.

RÈGLES DE SÉCURITÉ PARTICULIÈRES




- **NE RÉALISEZ JAMAIS DE RABOTAGE** sans la tête de coupe, guide à poussière, ou la capot de poussière.
- **NE JAMAIS RABOTER** une épaisseur de plus de 3 mm (1/8 po) par passe.
- **NE PAS RABOTER DE PLANCHES** de moins de 356 mm (14 po) de long ou 19 mm (3/4 po) de large.
- **MAINTENIR LE RAPPORT CORRECT** entre les surfaces d'entrée et de sortie et la trajectoire de la tête de coupe.
- **SOUTENIR LA PIÈCE À RABOTER CORRECTEMENT** pendant toute la durée du travail. Garder constamment le contrôle de la pièce.
- **NE JAMAIS INTRODUIRE UNE PLANCHE** par l'arrière de l'appareil.
- **NE PAS ESSAYER D'EXÉCUTER** un travail complexe ou inhabituel sans l'aide de gabarits, fixations, butées et autres accessoires de même nature robustes et appropriés.

RÈGLES DE SÉCURITÉ PARTICULIÈRES







- **NE JAMAIS** raboter plus d'une pièce à la fois. **NE PAS RABOTER** plus d'une pièce à la fois sur la table de la raboteuse.
- **AVANT DE METTRE EN MARCHÉ**, s'arrurer que toutes les vis de fixation sont bien serrées.
- **ARRÊTER LA MACHINE** et vérifier de nouveau le serrage des boulons et des lames après 50 heures de fonctionnement.
- **NE PAS FORCER LA PIÈCE À RABOTER** dans la machine. Laisser la raboteuse faire avancer la pièce à la vitesse appropriée.
- **VÉRIFIER LES ROULEAUX D'ALIMENTATION** de temps à autre pour s'assurer de l'absence de copeaux ou de sciure entre les pièces.
- **NE RABOTER QUE DES PLANCHES SAINES** ; comportant le moins possible de noeuds et aucun noeud détaché. S'assurer que la planche est exempte de clous, vis, cailloux ou autres objets étrangers qui risqueraient d'ébrêcher ou de briser les lames.
- **NE JAMAIS SE TENIR DIRECTEMENT EN LIGNE** avec l'entrée ou la sortie de la machine. Se tenir sur le côté de la raboteuse.
- **S'ASSURER QUE LES LAMES SONT MONTÉES** comme décrit à la section Utilisation. Les lames sont tranchantes et peuvent facilement couper les mains. Manipuler la lame et la garde de tête de coupe avec précaution.
- **NE JAMAIS INTRODUIRE LES DOIGTS** dans le capot pare-sciure ou sous la garde de la tête de coupe.
- **LAISSER LA TÊTE DE COUPE** parvenir à sa vitesse maximum avant d'utiliser la raboteuse.
- **PIÈCES DE RECHANGE.** Toutes les réparations, qu'elles soient de nature électrique ou mécanique, doivent être confiées au centre de réparations agréé le plus proche.
- **NE PAS** essayer de faire tourner la tête de coupe à la main.
- **SI UNE PIÈCE QUELCONQUE DE LA MACHINE MANQUE** est brisée, déformée ou présente quelque défaut que ce soit, ou si un composant électrique quel qu'il soit ne fonctionne pas correctement, éteindre la machine, la débrancher de la prise secteur et faire réparer ou remplacer la pièce manquante, brisée ou endommagée avant de remettre la machine en service.
- **TOUJOURS ÊTRE ATTENTIF !** Ne pas laisser la familiarité avec la raboteuse (acquise par une utilisation fréquente) causer une erreur stupide. **TOUJOURS ÊTRE CONSCIENT** qu'une fraction de seconde d'inattention peut entraîner des blessures graves.
- **S'ASSURER QUE LA ZONE DE TRAVAIL EST SUFFISAMMENT ÉCLAIRÉE** pour voir ce que l'on fait et qu'aucun obstacle ne peut nuire à la sécurité d'utilisation **AVANT** d'utiliser la raboteuse.
- **TOUJOURS ÉTEINDRE LA MACHINE** avant de la débrancher pour éviter un démarrage accidentel lors du branchement pour l'utilisation suivante.
- **SI LE CORDON D'ALIMENTATION EST ENDOMMAGÉ**, il doit être remplacé uniquement pas le fabricant ou par un centre de réparation agréé pour éviter tout risque.
- Les avertissements ci-dessous doivent être apposés sur **CET OUTIL** :
 - a) Porter une protection oculaire avec écrans latéraux.
 - b) Débranchez toujours la raboteuse avant de procéder à tout réglage ou de changer les lames.
 - c) Garder les mains hors du passage tête de coupe, des rouleaux, les courroies, et les poulies pendant le fonctionnement.
 - d) Porter des gants de cuir résistants et soyez prudent lorsque vous desserrez les vis de blocage de lame et lors de la manipulation et du changement des lames.
 - e) Ne procédez à aucun réglage ou n'essayez pas de libérer la pièce sans débrancher l'outil et avant l'arrêt complet des lames.
 - f) Soyez prudent après la mise à l'arrêt de la outil, car les lames continuent à tourner avant de s'arrêter.
 - g) Utiliser exclusivement des pièces d'origine pour les réparations.
- **CONSERVER CES INSTRUCTIONS.** Les consulter fréquemment et les utiliser pour instruire les autres utilisateurs. Si cet outil est prêté, il doit être accompagné de ces instructions.

SYMBOLES

Les termes de mise en garde suivants et leur signification ont pour but d'expliquer le degré de risques associé à l'utilisation de ce produit.

SYMBOLE	SIGNAL	SIGNIFICATION
	DANGER :	Indique une situation dangereuse qui, si elle n'est pas évitée, aura pour conséquences des blessures graves ou mortelles.
	AVERTISSEMENT :	Indique une situation dangereuse qui, si elle n'est pas évitée, pourrait entraîner des blessures graves ou mortelles.
	ATTENTION :	Indique une situation dangereuse qui, si elle n'est pas évitée, pourrait entraîner des blessures légères ou de gravité modérée.
	AVIS :	(Sans symbole d'alerte de sécurité) Indique les informations jugées importantes sans toutefois représenter un risque de blessure (ex. : messages concernant les dommages matériels).

Certains des symboles ci-dessous peuvent être présents sur l'outil. Veiller à les étudier et à apprendre leur signification. Une interprétation correcte de ces symboles permettra d'utiliser l'outil plus efficacement et de réduire les risques.

SYMBOLE	NOM	DÉSIGNATION / EXPLICATION
	Symbole d'alerte de sécurité	Indique un risque de blessure potentiel.
	Lire le manuel d'utilisation	Pour réduire les risques de blessures, l'utilisateur doit lire et veiller à bien comprendre le manuel d'utilisation avant d'utiliser ce produit.
	Protection oculaire	Toujours porter une protection oculaire avec écrans latéraux certifiée conforme à la norme ANSI Z87.1.
	Symbole Garder les mains à l'écart	Le non respect de cette mise en garde peut entraîner des blessures graves.
	Avertissement concernant l'humidité	Ne pas exposer l'outil à la pluie ni à l'humidité.
V	Volts	Tension
A	Ampères	Intensité
Hz	Hertz	Fréquence (cycles par seconde)
min	Minutes	Heure
~	Courant alternatif	Type de courant
n_0	Vitesse à vide	Vitesse de rotation à vide
	Construction de classe II	Construction à double isolation
.../min	Par minute	Tours, coups, vitesse périphérique, orbites, etc., par minute

CARACTÉRISTIQUES ÉLECTRIQUES

CORDONS PROLONGATEURS

Utiliser exclusivement des cordons prolongateurs à trois fils doté d'une fiche à prise de terre branchés sur une prise triphasée compatible avec la fiche de l'outil. Lors de l'utilisation d'un outil électrique à grande distance d'une prise secteur, veiller à utiliser un cordon prolongateur d'une capacité suffisante pour supporter l'appel de courant de l'outil. Un cordon de capacité insuffisante causerait une baisse de la tension de ligne, entraînant une perte de puissance et une surchauffe. Se reporter au tableau ci-dessous pour déterminer le calibre minimum de fil requis pour un cordon donné. Utiliser exclusivement des cordons à gaine ronde homologués par Underwriter's Laboratories (UL).

**Intensité nominale (sur la plaquette signalétique de l'outil)

Longueur du cordon	Calibre de fil (A.W.G.)					
	0-2,0	2,1-3,4	3,5-5,0	5,1-7,0	7,1-12,0	12,1-16,0
25'	16	16	16	16	14	14
50'	16	16	16	14	14	12
100'	16	16	14	12	10	—

**Utilisé sur circuit de calibre 12 – 20 A

NOTE : AWG = American Wire Gauge

Pour les travaux à l'extérieur, utiliser un cordon prolongateur spécialement conçu à cet effet. La gaine des cordons de ce type porte l'inscription « WA » or « W ».

Avant d'utiliser un cordon prolongateur, vérifier que ses fils ne sont ni détachés ni exposés et que son isolation n'est ni coupée, ni usée.

AVERTISSEMENT :

Maintenir le cordon prolongateur à l'écart de la zone de travail. Lors du travail avec un cordon électrique, placer le cordon de manière à ce qu'il ne risque pas de se prendre dans les pièces de bois, outils et autres obstacles. Ne pas prendre cette précaution peut entraîner des blessures graves.

AVERTISSEMENT :

Vérifier l'état des cordons prolongateurs avant chaque utilisation. Remplacer immédiatement tout cordon endommagé. Ne jamais utiliser un outil dont le cordon d'alimentation est endommagé car tout contact avec la partie endommagée pourrait causer un choc électrique et des blessures graves.

CONNEXION ÉLECTRIQUE

Cet outil est équipé d'un moteur électrique de précision. Elle doit être branchée uniquement sur une **alimentation 120 V, c.a. (courant résidentiel standard), 60 Hz**. Ne pas utiliser cet outil sur une source de courant continu (c.c.). Une chute de tension importante causerait une perte de puissance et une surchauffe du moteur. Si l'outil ne fonctionne pas une fois branché, vérifier l'alimentation électrique.

VITESSE ET CÂBLAGE

La vitesse n'est pas constante et elle diminue sous une charge ou en présence d'une baisse de tension. Le câblage de l'atelier est aussi important que la puissance nominale du moteur. Une ligne conçue seulement pour l'éclairage ne peut pas alimenter correctement le moteur d'un outil électrique. Un fil électrique d'une capacité suffisante pour une courte distance ne le sera pas nécessairement pour une distance plus longue. Une ligne dont la capacité est suffisante pour un outil électrique ne l'est pas nécessairement pour deux ou trois.

INSTRUCTIONS DE MISE À LA TERRE

Voir la figure 1, page 20.

En cas de problème de fonctionnement ou de panne, la mise à la terre fournit un chemin de résistance au courant électrique, pour réduire le risque de choc électrique. Cet outil est équipé d'un cordon électrique avec conducteur et fiche de mise à la terre. Le cordon doit être branché sur une prise correctement installée et mise à la terre conformément à tous les codes et réglementations locaux en vigueur.

Ne pas modifier la fiche fournie. Si elle ne peut pas être insérée dans la prise secteur, faire installer une prise adéquate par un électricien qualifié. L'usage d'un cordon prolongateur incorrect peut présenter des risques de choc électrique. Le fil à gaine verte, avec ou sans traceur jaune est le fil de terre. Si le cordon doit être réparé ou remplacé, ne pas connecter le fil de terre de l'outil sur une borne sous tension.

Consulter un électricien qualifié ou le personnel de service si les instructions de mise à la terre ne sont pas bien comprises, ou en cas de doute au sujet de la mise à la terre.

Tout cordon endommagé doit être réparé ou remplacé immédiatement.

Cet outil est conçu pour être branché sur un circuit comportant une prise telle que celle montrée à la figure 1. Sa fiche est dotée d'une broche de terre semblable à celle représentée.

CARACTÉRISTIQUES ÉLECTRIQUES

PROTECTION DU MOTEUR

Ce moteur doit être nettoyé fréquemment par aspiration ou jet d'air comprimé pour empêcher l'accumulation de sciure, pouvant nuire à la ventilation correcte du moteur.

- Connectez cet outil à une source d'alimentation à la tension appropriée pour votre appareil et munie d'un circuit de dérivation de 15 A avec un disjoncteur ou un fusible à action différée de 15 A. Le fait d'utiliser un fusible du mauvais calibre peut endommager le moteur.
- Si le moteur refuse de se mettre en marche, mettez l'interrupteur dans la position fermée immédiatement et débranchez l'outil. Vérifiez la tête porte-outils pour vous assurer qu'elle tourne sans obstruction. Si elle est libre, essayez de faire démarrer le moteur à nouveau. Si le moteur ne se met toujours pas en marche, veuillez vous reporter au tableau intitulé : *Dépannage*.

Des « grillages » de fusibles ou déclenchement de disjoncteurs fréquents peuvent se produire si :

- Des lames de coupes incorrectes ou émoussées sont utilisées.

NOTE : Ne vous servez pas continuellement de la machine à raboter à un réglage de profondeur de coupe maximale ([3 mm] 1/8 po) ou de largeur de coupe maximale 330 mm (13 po). Un usage continu à capacité maximale endommagera votre moteur.

- Le moteur est surchargé. Une surcharge peut se produire lorsque la pièce est avancée trop rapidement contre la lame ou lorsque l'outil n'est pas correctement alignée.
- La protection fusible du moteur n'est pas conforme aux recommandations. Toujours utiliser les fusibles et disjoncteurs recommandés. Ne pas utiliser un fusible ou disjoncteur de plus grande capacité sans consulter un électricien qualifié.
- Tension insuffisante. Bien que le moteur soit conçu pour fonctionner sur la tension et la fréquence spécifiées sur sa plaquette signalétique, les charges normales ne poseront aucun problème tant que la tension n'est pas inférieure ou supérieure de dix pour cent de la valeur nominale. Les fortes charges, cependant, exigent que la tension aux bornes du moteur soit exactement celle indiquée sur la plaquette signalétique.

NOTE : Toujours vérifier les connexions, la charge et la tension du circuit lorsque le moteur ne fonctionne pas de façon satisfaisante.

PROTECTEUR DE SURCHAUFFE DU MOTEUR

Voir la figure 2, page 20.

AVERTISSEMENT :

Pour réduire les risques de blessures infligées par des objets projetés ou le contact avec la lame dû à un démarrage imprévu, éteindre immédiatement l'outil si le protecteur de surchauffe cause l'arrêt du moteur. Retirer la clé du commutateur et laisser le moteur refroidir.

Votre machine à raboter est équipée d'un dispositif de protection contre les surcharges du moteur qui se déclenchera automatiquement et forcera la machine à raboter à se mettre hors tension si elle surchauffe à cause d'une utilisation continue à capacité maximum.

Le dispositif de protection contre les surcharges ne peut-être réarmé que manuellement par l'utilisateur après que la machine à raboter a eu le temps de refroidir suffisamment. Attendez de 15 à 30 minutes.

Si le dispositif de protection contre les surcharges thermiques était déclenché :

- Mettez l'interrupteur de marche/arrêt dans la position d'**ARRÊT (O)**.
 - Surélevez le chariot et retirez la planche.
 - Attendez de 15 à 30 minutes, réarmer le protecteur de surchauffe en appuyant sur le bouton de supérieur du boîtier du moteur. Un déclic indique le réarmement du protecteur. Une fois le protecteur réarmé, l'outil peut être remise en marche et utilisée normalement.
- NOTE :** Si le protecteur ne peut pas être réarmé immédiatement (pas de déclic), le moteur est toujours trop chaud et il est nécessaire d'attendre qu'il refroidisse.
- Si le moteur a eu le temps de refroidir, le bouton restera enfoncé.

GLOSSAIRE

Griffes antirebond (scies à plancher, radiales et table)

Dispositifs qui, s'ils sont correctement installés et entretenus, sont conçus pour empêcher que la pièce coupée soit propulsée en direction de l'opérateur durant la refente.

Axe

Pièce sur laquelle une lame ou un outil de coupe est monté.

Coupe en biseau

Coupe effectuée avec la lame sur toute position autre que perpendiculaire (90°) à la table.

Coupe composée

Coupe transversale présentant un angle d'onglet et un angle de biseau.

Coupe transversale

Coupe ou profilage effectué en travers du grain de la pièce ou largeur de la pièce.

Tête de coupe (raboteuses et raboteuses/dégauchisseuses)

Pièce rotative munie de lames réglables. La tête de coupe enlève du matériau de la pièce.

Rainage

Coupe non traversante produisant une encoche ou gorge de forme rectangulaire dans la pièce (exige une lame spéciale).

Cale-guide

Dispositif utilisé pour faciliter le contrôle de la pièce à couper en la guidant contre la table ou le guide lors des coupes longitudinales.

pi/min ou coups/min

Nombre de pieds par minute (ou coups par minute). Terme utilisé en référence au mouvement de la lame.

Main levée

Exécution d'une coupe sans que la pièce soit soutenue par un guide longitudinal, un guide d'onglet ou autre dispositif.

Gomme

Résidu collant formé par la sève du bois.

Talon

Alignement de la lame par rapport au guide.

Trait de scie

Quantité de matériau éliminé par la lame lors de coupes traversantes ou l'entaille produite lors de coupes non traversantes ou partielles.

Rebond

Réaction dangereuse se produisant lorsque la lame est pincée ou bloquée et projetant la pièce en train d'être coupée en direction de l'opérateur.

Coupe d'onglet

Coupe effectuée avec la lame sur toute position autre que perpendiculaire (90°) à la table.

Coupes non traversantes

Toute coupe avec laquelle la lame ne traverse pas complètement la pièce.

Trou pilote (perceuses à colonne)

Petit trou pratiqué dans une pièce servant de guide pour assurer la précision d'un trou de plus grand diamètre.

Blocs poussoirs (pour scies à plancher et table)

Dispositifs utilisés pour pousser le matériau contre la scie lors de la coupe. Un bâton poussoir doit être utilisé pour la refente de pièces étroites. Ce dispositif aide à tenir la main de l'opérateur bien à l'écart de la lame.

Blocs poussoirs (pour dégauchisseuses/raboteuses)

Dispositif utilisés pour pousser le matériau contre la tête de coupe lors de toute opération. Ce dispositif aide à tenir la main de l'opérateur bien à l'écart de la lame.

Bâtons poussoirs (pour scies à plancher et table)

Dispositifs utilisés pour pousser le matériau contre la lame lors de la coupe. Ce dispositif aide à tenir la main de l'opérateur bien à l'écart de la lame.

Refente

Opération de coupe destinée à réduire l'épaisseur d'une pièce pour en produire plusieurs, plus minces.

Résine

Résidu collant formé par la sève du bois durcie.

Tours minute (r/min)

Nombre de rotations effectuées par un objet en une minute.

Coupe longitudinale ou refente

Opération de coupe dans le sens de la longueur de la pièce.

Couteau diviseur/écarteur (scies à plancher et table)

Pièce de métal légèrement plus mince que le trait de scie, gardant le trait de scie ouvert pour empêcher le rebond.

Trajectoire de la lame de scie

Zone au-dessus, au-dessous, en avant ou en arrière de la lame. En ce qui concerne la pièce, la partie qui sera ou a été coupée par la lame.

Voie

Déport de la pointe des dents de la lame par rapport à sa face.

Sifflet (raboteuses)

Enfoncement à l'extrémité d'une pièce causé par les lames de la tête de coupe lorsque la pièce n'est pas correctement soutenue.

Coupe traversante

Toute opération de coupe avec laquelle la lame traverse toute l'épaisseur de la pièce.

Ricochet

Le ricochet est habituellement causé par une pièce lâchée contre la lame ou mise en contact avec la lame accidentellement.

Pièce ou matériau

L'article sur lequel le travail est effectué.

Table

Surface sur laquelle la pièce repose lors des opérations de coupe, de perçage, de rabotage ou de ponçage.

CARACTÉRISTIQUES

FICHE TECHNIQUE

Avance.....23,5 FPM (pi/min)
Alimentation nominale.. 120 V, 60 Hz, CA seulement, 15 A
Vitesse à vide9 000 r/min (RPM)

Hauteur de rabotage max 156 mm (6-1/8 po)
Largeur de rabotage max330 mm (13 po)
Profondeur de rabotage max3 mm (1/8 po)

CONNAISSEZ VOTRE RABOTAGE

Voir la figure 3, page 20.

L'utilisation sûre de ce produit exige une compréhension des renseignements figurant sur l'outil et contenus dans le manuel d'utilisation, ainsi qu'une bonne connaissance du projet entrepris. Avant d'utiliser ce produit, se familiariser avec toutes ses fonctions et règles de sécurité.

MOTEUR DE 15 AMPÈRES

Votre raboteuse est équipée d'un moteur de 15 ampères suffisamment puissant pour réaliser des rabotages difficiles.

AVANCE AUTOMATIQUE

Les rouleaux d'entrée et de sortie alimentent la pièce en la faisant passer par la raboteuse.

MANIVELLE DE RÉGLAGE DE LA PROFONDEUR

La manivelle de réglage de la profondeur sert à relever ou abaisser l'ensemble du porte-lames.

GUIDE À POUSSIÈRE

Attacher un 64 mm (2-1/2 po) raccordez un aspirateur d'atelier doté d'un tuyau de guide à poussière minimise l'accumulation de sciure sur la pièce de fabrication.

IND-I-CUT™ JAUGE DE PROFONDEUR

Une IND-I-CUT™ jauge de profondeur est située sur le devant de la raboteuse et elle est prévue pour indiquer la profondeur du rabotage jusqu'à 3 mm (1/8 po) maximum.

REPEAT-A-CUT™

Cet indicateur est situé à droite du carter de la machine, il comporte des mesures pour le rabotage répétitif.

BOUTON DE RÉINITIALISATION

El bouton de réinitialisation ouvre le circuit d'alimentation lorsque la température du moteur dépasse la limite de sécurité, lorsque le moteur est surchargé et lorsque la tension est insuffisante.

ÉCHELLE

Permet de déterminer rapidement l'épaisseur d'une pièce fonctionnement de échelle.

SURE-CUT™ CARRIAGE LOCK

La chariot verrouillable SURE-CUT™ minimise le sifflet sur la fin de la pièce en verrouillant la tête de coupe à sa place.

ENSEMBLE DE INTERRUPTEUR ET CLÉ

Votre raboteuse est dotée d'un interrupteur facile d'accès. Pour le verrouiller à la position **ARRÊT (O)**, retirez la clé. Mettez la clé dans un endroit inaccessible aux enfants et aux personnes non qualifiées pour utiliser cet outil.

TABLE D'ENTRÉE

Les rallonges de la table d'entrée / de sortie sont fixées à la machine et se replient vers le haut pour faciliter le rangement de la raboteuse. Ces tables sont utiles pour le rabotage des pièces longues.

ÉCHELLE D'ÉPAISSEUR

Une échelle d'épaisseur indique avec précision la hauteur des lames jusqu'à un maximum de 152 mm (6 po).

OUTILS DE RANGEMENT

Une clé à lame magnétique de lame peut être emmagasinée sur le panneau du côté gauche du rabotage.

ASSEMBLAGE

OUTILS NÉCESSAIRES

Voir la figure 4, page 21.

Les outils suivants (non inclus ou dessiné pour escalader) sont nécessaires pour effectuer l'assemblage et l'entretien :

- Équerre de charpentier

LISTE DES PIÈCES DÉTACHÉE

Voir la figure 5, page 21.

Les articles suivants sont inclus avec le outil :

No. de Pièce	Description	Qté.
A	Guide à poussière.....	1
B	Clé à lame magnétique de lame.....	1
C	Clé d'interrupteur.....	1
D	Manivelle de réglage de la profondeur.....	1
E	Rondelle frein.....	1
F	Vis à tête creuse.....	1
	Manuel d'utilisation (non illustré).....	1

DÉBALLAGE

Ce produit doit être assemblé.

NOTE : Chaque raboteuse RIDGID® est testée en usine afin de s'assurer de son bon fonctionnement. Un peu de sciure et quelques copeaux peuvent se trouver sur la machine neuve.

- Soulevez soigneusement la raboteuse hors du cartonnage et placez-la sur une surface de travail plate.

NOTE : Cet outil est lourd. Pour éviter des problèmes lombaires soulever avec les jambes, pas avec le dos et demander de l'aide lorsque nécessaire.

AVERTISSEMENT :

Ne pas utiliser le produit si, en le déballant, vous constatez que des éléments figurant dans la liste des pièces détachées sont déjà assemblés. Certaines pièces figurant sur cette liste n'ont pas été assemblées par le fabricant et exigent une installation. Le fait d'utiliser un produit qui a été assemblé de façon inadéquate peut entraîner des blessures.

- Examiner soigneusement l'outil pour s'assurer que rien n'a été brisé ou endommagé en cours de transport.
- Ne pas jeter les matériaux d'emballage avant d'avoir soigneusement examiné ce produit et avoir vérifié qu'il fonctionne correctement.
- Enlever le plastique qui couvre la table de raboteuse avant allumer ce produit
- La scie est réglée en usine pour effectuer une coupe précise. Après l'avoir assemblée, vérifier sa précision. Si les réglages ont été modifiés en cours d'expédition, prendre pour centre de réparation.
- Si des pièces sont manquantes ou endommagées, appeler le 1-866-539-1710.

AVERTISSEMENT :

Si des pièces manquent ou sont endommagées, ne pas utiliser ce produit avant qu'elles aient été remplacées. Le fait d'utiliser ce produit même s'il contient des pièces endommagées ou s'il lui manque des pièces peut entraîner des blessures graves.

AVERTISSEMENT :

Ne pas essayer de modifier cet outil ou de créer des accessoires non recommandés pour cet outil. De telles altérations ou modifications sont considérées comme un usage abusif et peuvent créer des conditions dangereuses, risquant d'entraîner des blessures graves.

AVERTISSEMENT :

Ne pas brancher sur le secteur avant d'avoir terminé l'assemblage. Le non respect de cet avertissement peut causer un démarrage accidentel, entraînant des blessures graves.

MONTAGE DE LA RABOTEUSE SUR UN ÉTABLI

Si la raboteuse doit être utilisée dans un endroit définitif, nous vous recommandons de la fixer à un établi ou à une autre surface stable. Lorsque vous montez la raboteuse sur un établi, percez des trous dans la surface supérieure de l'établi.

- Faites des repères sur l'établi pour les trous qui permettront de fixer votre raboteuse. Utilisez les trous de la base de votre raboteuse comme gabarit pour la disposition des trous.
- Percez quatre trous dans l'établi.
- Placez la raboteuse sur l'établi, en alignant les trous de la base avec les trous percés dans l'établi.
- Insérez les quatre boulons (non inclus) et serrez les bien en utilisant des rondelles de blocage et des écrous hex. (non inclus).

NOTE : Toutes les boulons doivent être insérées par le dessus. Montez des rondelles de blocage et des écrous en dessous de l'établi.

Examinez soigneusement la surface où la raboteuse est montée pour vous assurer qu'elle ne peut se déplacer pendant l'utilisation. Si la machine peut basculer ou se déplacer, fixez l'établi au sol ou la surface de support avant de commencer à l'utiliser.

ASSEMBLAGE

MONTAGE DE LA RABOTEUSE SUR UN ÉTABLI AVEC DES SERRE-JOINTS

Voir la figure 6, page 21.

Si la raboteuse doit être transportée pour être utilisée à différents endroits, nous vous recommandons de la fixer de manière permanente sur un panneau de montage qui peut être facilement fixé à un établi ou à toute autre surface à l'aide de serre-joints. Le panneau de montage doit être suffisamment grand pour éviter le basculement de la raboteuse lors de son utilisation. Nous vous recommandons d'employer un morceau de contre-plaqué ou d'aggloméré de bonne qualité de 19 mm (3/4 po) d'épaisseur.

- Faites des repères sur le panneau pour les trous qui permettront de fixer votre raboteuse. Utilisez les trous de la base de votre raboteuse comme gabarit pour la disposition des trous.
- Suivez les trois dernières étapes de la section intitulée **Montage de la raboteuse sur un établi.**

Si vous utilisez des tire-fond, assurez-vous que leur longueur est suffisante pour traverser les trous de la base de la raboteuse et le matériau sur laquelle est montée la scie. Si vous utilisez des vis à métaux, assurez-vous qu'elles sont assez longues pour traverser les trous de la base de la raboteuse, le matériau sur lequel est monté la scie, les rondelles de blocage et les écrous hex.

INSTALLATION DU MANIVELLE DE RÉGLAGE D'AJUSTEMENT DE PROFONDEUR

Voir la figure 7, page 21.

- Au moyen de la vis à tête creuse et rondelle de blocage, assujettir solidement la manivelle de réglage d'ajustement de profondeur dans la raboteuse.

NOTE : La poignée a une D-forme qui aura besoin d'être alignée correctement pour obtenir.

AVERTISSEMENT :

Ne jamais utiliser le raboteuse sans le guide à poussière à sa place. Ne pas installer le guide à poussière pourrait exposer l'opérateur pour éventer et peut entraîner des blessures graves.

INSTALLATION DE LA GUIDE À POUSSIÈRE

Voir la figure 8, page 22.

- Retirer les vis à tête creuse et écrou du guide à poussière.
- Du arrière de la machine, glisser le guide à poussière sur le orifice d'évacuation.

NOTE : Le ergot sur le orifice d'évacuation devrait glisser entre les deux ergots sur le guide à poussière et alignés avec les trous de vis.

- Placer la vis à tête creuse par le guide à poussière et ergot.
- Installer le écrou et obtenir à sa place utilisant la clé de lame.

NOTE : Pour minimiser de l'accumulation de sciure sur votre pièce, attacher un 2-1/2 po vac de magasin au guide de poussière.

MISE À NIVEAU DES RALLONGES

Voir les figures 9 et 10, page 22.

Les rallonges d'entrée/de sortie sont fixées à la raboteuse. Ces rallonges repliées vers le haut pour l'expédition, doivent être abaissées avant de procéder au rabotage. Pour un rabotage précis, les rallonges doivent être de niveau avec la table de la raboteuse.

NOTE : Pour un rendement optimal, vérifiez toujours que les rallonges sont de niveau avant de commencer toute opération de rabotage.

- Mettez une règle ou un niveau sur la table et les rallonges.
- Si un réglage est nécessaire, relevez les rallonges et desserrez les contre-écrous. Ajustez les vis de butée (une sur chaque côté) jusqu'à ce que la rallonge se trouve de niveau avec la table de la raboteuse.
- Appuyez sur la rallonge pour vous assurer qu'elle est bien assise.
- Serrez les contre-écrous une fois les réglages terminés.

UTILISATION

AVERTISSEMENT :

Ne pas laisser la familiarité avec l'outil faire oublier la prudence. Ne pas oublier qu'une fraction de seconde d'inattention peut entraîner des blessures graves.

AVERTISSEMENT :

Toujours porter une protection oculaire certifiée conforme à la norme ANSI Z87.1. Si cette précaution n'est pas prise, des objets peuvent être projetés dans les yeux et causer des lésions graves.

AVERTISSEMENT :

Ne pas utiliser d'outils ou accessoires non recommandés par le fabricant pour cet outil. L'utilisation de pièces et accessoires non recommandés peut entraîner des blessures graves.

AVERTISSEMENT :

L'utilisation de cette raboteuse pour des matériaux non recommandés peut endommager la machine et entraîner des blessures graves.

AVERTISSEMENT :

Ne jamais raboter de pièces comportant des noeuds délogés ou des objets étrangers. Ne pas raboter de pièces fortement cintrées / voilées ou comportant beaucoup de noeuds. Les lames pourraient émousser, s'ébrécher et présenter des risques de blessures graves.

AVERTISSEMENT :

Ne pas forcer la pièce à couper dans la machine. Laisser la raboteuse faire avancer la pièce à la vitesse appropriée.

APPLICATIONS

Cet outil peut être utilisé pour les applications ci-dessous :

- Rabotage de surfaces de bois et de dérivés du bois

RECTIFICATION D'ÉPAISSEUR

Rectification de planches pour obtenir l'épaisseur désirée tout en lissant et aplanissant la surface. La profondeur de chaque passe dépend du type de bois (dur ou tendre), de la largeur de la pièce, de sa rectitude de sa teneur en humidité et de la composition du grain. Lors du travail sur un nouveau type de bois, effectuer des passes peu profondes sur une chute, afin de déterminer si le rabotage de ce bois peut poser des problèmes.

CONSEILS POUR LE RABOTAGE

- Les raboteuses planeuses donnent les meilleurs résultats lorsqu'au moins un côté de la pièce est plat. Lorsque les deux côtés d'une pièce sont irréguliers, utiliser d'abord une dégauchisseuse ou une dresseuse pour aplanir la surface initiale. Raboter un côté de la pièce, puis la retourner et raboter l'autre face.
 - Toujours raboter les deux faces d'une pièce pour obtenir l'épaisseur désirée. Ceci permet d'obtenir une teneur en humidité uniforme, afin d'éviter le voilage au cours du processus de séchage.
 - Lorsqu'une extrémité de la pièce est plus épaisse que l'autre de plus de 3 mm (1/8 po), effectuer plusieurs passes dans la raboteuse en commençant par des passes peu profondes. Ne pas oublier que les passes légères laissent un fini plus lisse que les passes profondes.
 - Ne pas raboter plus de 8 mm (5/16 po) par passe.
 - Ne pas raboter de pièces de moins de 19 mm (3/4 po).
 - Ne pas raboter de pièces de moins de 356 mm (14 po) car elle causeraient un rebond.
 - Ne pas raboter plus d'une pièce à la fois.
 - Ne pas abaisser la tête de coupe au-dessous de 8 mm (5/16 po).
 - Ne pas utiliser la raboteuse réglée en même temps à la profondeur maximum [3 mm (1/8 po)] ou à la largeur maximum [330 mm (13 po)]. Le fonctionnement continu à la capacité de coupe maximum endommagerait le moteur.
 - Des lames usées nuisent à la précision de la coupe. Le rabotage avec des lames émoussées ou ébréchées peut produire des crêtes ou des surfaces irrégulières.
 - La présence de résidus gommeux et de résine sur les lames de la raboteuse et rouleau d'alimentation causent une usure prématurée. L'usage d'un produit de nettoyage de résidus gommeux et de résine pour garder vos lames et cylindre de alimentation prolonge leur vie utile.
 - Voir les instructions de retrait et de remplacement ou d'inversion des lames à la section *Entretien* de ce manuel d'utilisation.
- NOTE :** Les lames sont à double tranchant et peuvent être retournées une fois que l'un des tranchants est usé, avant de devoir être remplacées. Les lames doivent TOUJOURS être remplacées par jeu.

UTILISATION

APOUR ÉVITER LES ENTAMES

Les entames ou enfoncements à l'extrémité d'une pièce sont causés par les lames de la tête de coupe lorsque la pièce n'est pas correctement soutenue. Bien que l'entame puisse être à peine visible, il est essentiel de garder la pièce parallèle à la table de la raboteuse pour minimaliser ce problème. L'aboutage des planches introduites dans la raboteuse minimalise ce problème, particulièrement si les pièces sont courtes, car l'alimentation est plus stable.

Pour les pièces de plus de 1,2 m (48 po) de long, prendre le plus grand soin de minimaliser ce problème car la longueur de la pièce signifie davantage de poids non soutenu par la table et les rouleaux de la raboteuse, ce qui rend le maintien de la pièce à plat plus difficile.

Pour éliminer l'entame d'une pièce rabotée, couper l'extrémité où l'entame est visible.

PLANCHES VOILÉES

Les planches peu ou pas du tout voilées sont idéales pour le rabotage. Il suffit de retourner la pièce et de la raboter à l'épaisseur voulue. On peut également raboter le dessus en premier, puis retourner la pièce et raboter l'autre face.

Dans le cas d'une planche incurvée ou bombée dans le sens de la largeur, la meilleure méthode consiste à couper la pièce en deux dans le sens de la longueur et de raboter les deux moitiés séparément. Cette méthode élimine le gaspillage causé par le rabotage de pièces bombées ou incurvées.

La seule façon d'éliminer le cintrage d'une planche concave ou convexe est d'utiliser une dresseuse.

Éviter d'utiliser des planches excessivement voilées car elles pourraient bloquer la raboteuse. Si de telles planches doivent être utilisées, les couper en deux dans le sens de la longueur avant de les raboter, pour réduire le risque de blocage. En cas de blocage, arrêter la raboteuse et la débrancher immédiatement. Relever la tête de coupe suffisamment pour pouvoir retirer la pièce bloquée sans difficulté. Vérifier soigneusement que la machine n'a pas été endommagée avant d'effectuer la passe de rabotage suivante.

Toujours introduire la pièce dans le sens du grain. Cela permet aux lames de couper les fibres du bois au lieu de les déchirer. L'avance contre le grain peut également causer de déchiquetage de la pièce.

ENSEMBLE DE COMMUTATEUR

Voir la figure 11, page 22.

La raboteuse est équipée d'un ensemble de commutateur avec dispositif de verrouillage intégré. Ce dispositif est conçu pour empêcher l'utilisation non autorisée et potentiellement dangereuse par des enfants ou personnes non compétentes.

POUR METTRE LA RABOTEUSE EN MARCHÉ :

- La clé étant insérée dans le commutateur, le relever pour mettre en **MARCHÉ (I)**.

POUR ARRÊTER LA RABOTEUSE :

- La clé étant insérée dans le commutateur, le relever pour le mettre en position d'**ARRÊT (O)**.

POUR VERROUILLER LA RABOTEUSE :

- Mettre le commutateur en position d'**ARRÊT (O)**.
- Retirer la clé du commutateur et la ranger en lieu sûr.

AVERTISSEMENT :

- ⚠ Lorsque l'outil n'est pas en usage, toujours retirer la clé et la ranger en lieu sûr. En cas de panne secteur, mettre le commutateur en position d'**ARRÊT (O)** et retirer la clé. Ceci empêchera un démarrage accidentel lorsque le courant est rétabli.

AVERTISSEMENT :

- ⚠ Toujours s'assurer que la pièce n'est pas en contact avec la lame avant de mettre le commutateur de l'outil en position de marche. Ne pas prendre cette précaution peut causer le rebond de la pièce en direction de l'opérateur et entraîner des blessures graves.

UTILISATION CHARIOT VERROUILLABLE SURE-CUT™

Voir la Figure 12, page 23.

Ne jamais ajuster ensemble du porte-lames avec la serrure de tête de coupe dans la position « verrouillée ». Une rotation complète de la manivelle de réglage d'ajustement de profondeur déplace ensemble de tête de coupe 1/16 po.

POUR RELEVER LA TÊTE DE COUPE :

- Avec le commutateur en position de **ARRÊT (O)**, soulever le chariot verrouillable SURE-CUT™ pour ouvrir ensemble de tête de coupe.
- Tourner la manivelle de réglage d'ajustement de profondeur dans le droit pour relever la tête de coupe.
- Une fois la tête de coupe est dans la position désirée, verrouiller la tête de coupe en poussant le chariot verrouillable SURE-CUT™ en bas.

POUR ABAISSER LA TÊTE DE COUPE :

- Avec le commutateur en position de **ARRÊT (O)**, soulever le chariot verrouillable SURE-CUT™ pour ouvrir ensemble de tête de coupe.
- Tourner la manivelle de réglage d'ajustement de profondeur dans le gauche pour abaisser la tête de coupe.
- Une fois la tête de coupe est dans la position désirée, verrouiller la tête de coupe en poussant le chariot verrouillable SURE-CUT™ en bas.

UTILISATION

RÉGLAGE DE LA PROFONDEUR DE RABOTAGE

Voir la figure 12, page 23.

Le manivelle de réglage de profondeur permet d'ajuster la quantité de bois éliminée à chaque passe. Ne jamais raboter plus de 3 mm (1/16 po) en bois jusqu'à 152 mm (6 po) de largeur ou plus de 2 mm (1/32 po) en bois de 152 à 330 mm (6 à 13 po) de largeur.

NOTE : Ne jamais ajuster la hauteur de lame avec la tête de coupe dans la position verrouiller.

NOTE : Ne pas utiliser la raboteuse continuellement à la profondeur maximum [3 mm (1/8 po)] ce qui endommagerait le moteur.

Tourner la manivelle de réglage de profondeur vers la gauche pour abaisser la tête de coupe à la profondeur de rabotage. Chaque tour complet de la manivelle élève ou abaisse la tête de coupe de 2 mm (1/16 po).

IND-I-CUT™ JAUGE DE PROFONDEUR

Voir les figures 12 et 13, page 23.

La IND-I-CUT™ jauge de profondeur indique l'épaisseur du bois enlevé lors d'une passe. La pièce doit se trouver sous la jauge de profondeur à l'avant de la raboteuse.

Ne faites jamais un rabotage d'une profondeur supérieure à :

- 3 mm (1/8 po) pour les pièces allant jusqu'à 152 mm (6 po) de largeur - 1/16 po en bois
- 2 mm (1/16 po) pour les pièces de 152 mm à 330 mm (6 po à 13 po) de largeur - 1/32 po en bois

N'utilisez pas la raboteuse d'une façon continue à une profondeur maximale de 3 mm (1/8 po) car cela endommagera le moteur.

RABOTAGE

Voir la figure 14, page 23.

AVERTISSEMENT :

Ne jamais raboter de pièces comportant des noeuds délogés ou des objets étrangers. Ne pas raboter de pièces fortement cintrées / voilées ou comportant beaucoup de noeuds. Les lames pourraient émousser, s'ébrécher et présenter des risques de blessures graves.

Utiliser une chute de bois pour le premier essai de rabotage. Une fois la planche rabotée, vérifier l'exactitude de toutes ses dimensions. Si les dimensions ne sont pas exactes, consulter la section *Réglages* pour des instructions supplémentaires.

Avant chaque utilisation de la raboteuse, vérifier le serrage de la quincaillerie, s'assurer que le capot de dépoussiérage est solidement assujéti et s'assurer que la tête de coupe tourne librement. Abaisser la tête de coupe jusqu'à environ 25 mm (1 po) de la surface de la table de la raboteuse. Sans placer de charge sur la raboteuse, la mettre en marche et laisser le

moteur parvenir à sa vitesse maximum pour le tester. Si la raboteuse est trop bruyante ou vibre excessivement, l'arrêter immédiatement et vérifier de nouveau le serrage de toute la quincaillerie en effectuant tous les serrages éventuellement nécessaires.

AVERTISSEMENT :

Pour éviter des blessures graves, ne pas se tenir directement à l'avant ou à l'arrière de la raboteuse. Si un objet est projeté hors de la raboteuse, il le sera dans cette direction.

- Se tenir d'un côté de l'entrée de la raboteuse.
- Mettre le commutateur en position de **MARCHE (I)**.
- Soulever la planche à raboter en la saisissant par les bords, à environ mi-longueur. Poser l'extrémité de la planche sur la table de la raboteuse et la pousser dans la machine.
NOTE : Les planches de plus de 610 mm (24 po) de long doivent être soutenues par des stands séparés.
- Pousser légèrement la planche et laisser le système d'avance automatique lui faire traverser la machine.
- Lâcher la planche pour permettre au système d'avance de fonctionner correctement. Ne pas pousser ou tirer la pièce.
- Se placer d'un côté de l'arrière de la machine et recevoir la pièce rabotée en la saisissant comme pour son introduction. Ne pas saisir une partie de la planche qui n'a pas passé la zone de sortie de la table.

RÉPÉTITIONS AU MOYEN DU SYSTÈME REPEAT-A-CUT™

Voir la figure 15, page 23.

Cette raboteuse est dotée d'un système de réglage permettant de répéter les rabotages. Le système REPEAT-A-CUT™ permet de raboter une épaisseur prédéterminée. La profondeur maximum de l'indicateur d'épaisseur est de 44 mm (1-3/4 po).

- Relever la tête de coupe à plus de 44 mm (1-3/4 po).
- Tourner REPEAT-A-CUT™ à la hauteur désirée.
- Abaisser la tête de coupe à la coupe la profondeur pour la première passe de rabotage désirée.
- Se tenir d'un côté de l'entrée de la raboteuse.
- Mettre le commutateur en position de **MARCHE (I)**.
- Rabotage la pièce ou matériau (voir **Réglage de la Profondeur de Rabotage pour maximale** profondeur coup).
- Répéter des passes, abaissant la tête de coupe sur chaque passe progressive jusqu' aux arrêts de poignée qui atteint le REPEAT-A-CUT™ qui régle.
- Répétez les étapes ci-dessus pour les planche supplémentaires être raboté REPEAT-A-CUT™ qui règle
- Après la compétition de raboter de REPEAT-A-CUT™, le réglant REPEAT-A-CUT™ à 1/8 po.

RÉGLAGES

AVERTISSEMENT :

Avant d'effectuer tout réglage, assurez-vous que l'outil est débranché et que le commutateur est en position **ARRÊT (O)**. Le non-respect de cette règle peut occasionner de graves blessures.

RÉGLAGE DE L'ÉCHELLE D'ÉPAISSEUR

Voir la figure 16, page 24.

Située sur le devant et à droite de la raboteuse, l'échelle d'épaisseur montre l'épaisseur de la pièce finie. Les coupes non précises peuvent être évitées en vérifiant régulièrement l'alignement de l'échelle d'épaisseur.

- La table de la raboteuse et les rallonges doivent être de niveau.
- Rabotez une pièce de rebut et mesurez l'épaisseur de la pièce finie.
- Si l'échelle est correctement réglée, l'épaisseur de la pièce finie doit être la même que la mesure indiquée sur l'échelle d'épaisseur.
- Si un réglage est nécessaire, desserrez les vis de l'indicateur de l'échelle qui retiennent l'indicateur de l'échelle et ajustez cet indicateur en conséquence.
- Resserrez les vis.

RÉGLAGE DE LAME

Voir la figure 17, page 24.

AVERTISSEMENT :

Toujours porter des gants épais antidérapant et la prudence d'usage en desserrant les vis de lame et contrôlant et/ou changer les lames. Les lames sont tranchantes et peut causer la graves blessures.

Les lames peuvent présenter de petites ébréchures causées par du sable ou d'autres particules se trouvant sur des pièces ayant traversé la machine. De légers réglages peuvent être effectués sur l'une des lames ou les deux pour corriger ces petites imperfections.

- Débrancher la raboteuse.
 - Abaisser la tête de coupe.
 - Retirer les vis de la capot de poussière permettant de fixer le capot de dépoussiérage. Enlever le capot et le mettre de côté.
-

AVERTISSEMENT :

Pour éviter des blessures NE JAMAIS faire tourner la tête de coupe avec la main.

- Si la tête de coupe n'est pas verrouillée, tourne jusqu'à ce qu'il verrouille.
NOTE: Tourner la tête de coupe est accomplie en tournant le ventilateur d'échappement avec vos doigts jusqu' aux serrures de tête de coupe à sa place.
- À l'aide de la clé de lame, desserrer, mais ne pas enlever, les deux boulons maintenant la lame dans la tête de coupe.
- Pousser l'extrémité de la lame vers la droite ou la gauche pour la positionner comme désiré. La lame peut être déplacé de 1,2 mm (3/64 po).
- Resserrez les boulons de lame.
- Remettre les vis de la capot de poussière en place et serrer les deux vis à oreilles.

ENTRETIEN

AVERTISSEMENT :

Utiliser exclusivement des pièces identiques aux pièces d'origine pour les réparations. L'utilisation de toute autre pièce pourrait créer une situation dangereuse ou endommager le produit.

AVERTISSEMENT :

Toujours porter une protection oculaire certifiée conforme à la norme ANSI Z87.1 lors de l'utilisation de produit. Si une opération dégage de la poussière, porter également un masque anti-poussière.

ENTRETIEN GÉNÉRAL

Éviter d'utiliser des solvants pour le nettoyage des pièces en plastique. La plupart des matières plastiques peuvent être endommagées par divers types de solvants commerciaux. Utiliser un chiffon propre pour éliminer la saleté, la poussière de carbone, etc.

AVERTISSEMENT :

Ne jamais laisser de liquides tels que du liquide de freins, l'essence, des produits à base de pétrole, des huiles pénétrantes, etc., entrer en contact avec les pièces en plastique. Ces liquides contiennent des produits chimiques susceptibles d'endommager, d'affaiblir ou de détruire le plastique.

LUBRIFICATION

Tous les roulements de cet outil sont enduits d'une quantité suffisante de lubrifiant de haute qualité pour la durée de vie de l'outil, dans des conditions d'utilisation normales. Aucune autre lubrification n'est donc nécessaire.

AVERTISSEMENT :

Pour assurer la sécurité de l'utilisation et la fiabilité de l'outil, toutes les réparations doivent être confiées à un technicien qualifié d'un magasin ou centre de réparation agréé.

MOTEUR / COMPOSANTS ÉLECTRIQUES

Le moteur universel est facile à entretenir mais il doit être gardé propre. Ne pas laisser d'eau, d'huile ou de sciure s'accumuler à l'extérieur ou l'intérieur du moteur. Les roulements étanches sont lubrifiés en permanence et ne nécessitent aucun entretien.

NETTOYAGE

- Débrancher la raboteuse.

L'accumulation de sciure et autres débris peut nuire à la précision du rabotage. La machine doit être nettoyée et cirée régulièrement pour assurer un rabotage précis.

Ne pas laisser les copeaux s'accumuler sur la raboteuse. Nettoyer le capot de dépoussiérage après chaque utilisation.

DANGER :

Lames en rotation au-dessous du capot de dépoussiérage. Garder les doigts à l'écart pour éviter des blessures.

Les pièces en mouvement doivent être nettoyées régulièrement avec une huile pénétrante et lubrifiées avec une mince couche d'huile pour machines légère.

Une cire en pâte doit être appliquée à la surface de la table de la raboteuse pour faciliter le déplacement des pièces à raboter, toutefois, il convient de ne pas utiliser une couche trop épaisse, car la cire pourrait être absorbée par le bois qui serait alors difficile à teindre.

Les rouleaux d'avance devant être propres pour être efficaces, s'assurer qu'ils ne présentent aucune accumulation de résine après chaque utilisation. Le cas échéant, utiliser un produit de nettoyage pour goudrons et résines doux et inflammable.

RANGEMENT DE CLÉ DE LAME

Voir la figure 18, page 24.

Pour plus de commodité, la clé de lame peut être emmagasinée dans le panneau de gauche.

Les lames usées doivent être mises au rebut selon une méthode appropriée. Envelopper les lames de ruban adhésif avant de les jeter afin d'éviter tout accident.

ENTRETIEN

RANGEMENT DU CORDON D'ALIMENTATION

Voir la figure 19, page 24.

Lorsque la machine n'est pas en usage, le cordon d'alimentation doit être enroulé sur la raboteuse.

AVERTISSEMENT :

Vérifiez les cordons prolongateurs avant chaque usage. S'ils sont endommagés, remplacez-les immédiatement. N'utilisez jamais l'outil avec un cordon prolongateur endommagé car en touchant l'endroit endommagé, vous pouvez recevoir une décharge électrique et gravement vous blesser.

REPLACEMENT DES BALAIS

Voir la figure 20, page 25.

Des balais accessibles de l'extérieur se trouvent du côté avant droit et du côté arrière gauche de la machine. L'usure de ces balais doit être vérifiée toutes les 10 à 15 heures de fonctionnement. Remplacer les deux balais lorsque la longueur du carbone de l'un ou de l'autre est de 6 mm (1/4 po) ou moins.

NOTE : Le capot de dépoussiérage peut être retiré pour faciliter l'accès lors du retrait de capuchon de balai arrière.

- Débrancher la raboteuse et retirer la clé du commutateur.
- Retirer le couvercle des balais à l'aide d'un tournevis plat. Les balais sont montés sur ressort et sont éjectés lorsque le couvercle est retiré.
- Retirer les balais (et leurs ressorts) pour regarder s'ils sont usés. Remplacer les deux balais lorsque la longueur du carbone est de 6 mm (1/4 po) ou moins. Ne jamais remplacer un seul balai.
- Selon le cas, remettre les anciens balais en place ou installer un jeu neuf.
- Remettre le capuchon en place et le serrer fermement.

REPLACEMENT DES LAMES

Voir les figures 21 à 25, page 25.

AVERTISSEMENT :

Toujours porter des gants épais antidérapant et la prudence d'usage en desserrant les vis de lame et contrôlant et/ou changer les lames. Les lames sont tranchantes et peut causer la graves blessures.

Votre raboteuse comporte des lames à double tranchant fixées sur un porte-lames rotatif. Des lames usées affecteront la précision du rabotage et peuvent laisser des rayures en saillie dans la pièce.

NOTE : Les lames de rechange peuvent apparaître légèrement différent des lames originales.

- Débranchez la raboteuse.
- Abaisser la tête de coupe à 1 po la hauteur.
- À l'arrière de la machine, localiser les vis l'éjecteur de sciure.
- Retirer capot de poussière.
- Si la tête de coupe n'est pas verrouillée, tourne jusqu'à ce qu'il verrouille.

NOTE : Tourner la verrou de la tête de coupe est accomplie en tournant le poussière le ventilateur d'échappement avec vos doigts jusqu' aux serrures de tête de coupe à sa place. Le verrouillage de la tête de coupe s'engage lorsque cette dernière est tournée. Ne pas utiliser la raboteuse sans l'éjecteur de sciure car cela causerait des dommages à la machine.

- Retirez détaché et enlever les boulons de lame.
- L'utilisation de clé de lame magnétique, enlever la barre d'arrêt de la lame en plaçant la poignée de clé de lame, soulever, alors tirer directement hors.
- Répéter les étape pour enlever la lame.

NOTE : Pour inverser la lame, la retourner de « bout en bout », en gardant le même côté plat vers le bas. Ceci positionne la lame correctement pour sa réinstallation.

- L'utilisation de poignée de clé de lame magnétique, aligner des trous dans la lame avec les goupilles sur la tête de coupe et appuyer fermement sur la lame pour la mettre en place. S'assurer que le tranchant de la lame est parallèle à la fente de la tête de coupe.
- Aligner la barre d'arrêt de la lame sur la lame alors resserrer fermement les boulon à tête carrée.
- Pousser et tenir la verrou de la tête de coupe en bas et tourner le ventilateur légèrement pour déverrouiller la tête de coupe.
- Tourner la tête de coupe pour accéder aux seconde lame.
- Répéter l'opération ci-dessus pour troisième lame.
- Remettre la capot de poussière.

**NOTE : ILLUSTRATIONS COMMENÇANT
SUR 20 DE PAGE APRÈS LE SECTION ESPAGNOL.**

RECHERCHE DE PANNES

PROBLÈME	CAUSE POSSIBLE	SOLUTION
Entames (enfonceurs à l'extrémité des planches rabotées)	Lames émoussées Aboutage des planches incorrect Machine pas solidement assujettie	Remplacer ou retourner les lames. Abouter les planches à mesure de leur introduction dans la raboteuse. Serrer les tire-fonds.
Grain déchiré	Profondeur de coupe excessive Planche introduite à contre grain Lames émoussées	Réduire la profondeur de coupe. Engager l'autre extrémité de la planche en premier. Remplacer ou retourner les lames.
Finis rugueux, « pelucheux »	Forte teneur en humidité Lames émoussées Profondeur de coupe excessive Vitesse d'avance incorrecte	Sécher le bois avant de le raboter. Remplacer ou retourner les lames. Réduire la profondeur de coupe. Vérifier l'alimentation électrique. Regarder si le cordon et la fiche sont endommagés. Vérifier l'état des balais de moteur.
Profondeur de coupe inégale	La tête de coupe n'est pas parallèle à la table de la raboteuse Pression de ressort de rouleau instable Rouleau d'avance usé de façon irrégulière	Confier l'entretien à un centre de réparations agréé. Confier l'entretien à un centre de réparations agréé. Confier l'entretien à un centre de réparations agréé.
L'épaisseur de la planche ne correspond pas à celle indiquée sur l'échelle	Échelle de profondeur incorrectement réglée Table de rabotage sale	Ajuster l'échelle de profondeur. Nettoyer et cirer la table de rabotage.
Hauteur de la tête de coupe difficile à régler	Broche encrassée Chaîne usée	Nettoyer et lubrifier la broche. Confier l'entretien à un centre de réparations agréé.
Ne démarre pas	Pas branchée Circuit grillé Défaillance du moteur Fils desserrés Défaillance du commutateur Moteur est surchargé	Vérifier la source d'air. Remplacer le fusible, réarmer le disjoncteur ou appeler un électricien. Confier l'entretien à un centre de réparations agréé. Confier l'entretien à un centre de réparations agréé. Confier l'entretien à un centre de réparations agréé. Oprima el botón de restablecimiento.
Fonctionnement interrompu	Machine surchargée Circuit surchargé	Réduire la charge. Brancher sur un circuit séparé de celui utilisé par d'autres machines ou moteurs ou utiliser un circuit dont l'intensité est correcte.
La tête de coupe n'abaissera pas pour raboter du matériel	REPEAT-A-CUT™ qui règle aussi haut.	Abaisser REPEAT-A-CUT™ qui règle à 1/8 po.

GARANTIE

OUTILS ÉLECTRIQUES À MAIN ET D'ÉTABLI RIDGID® GARANTIE LIMITÉE DE SERVICE DE 3 ANS

Une preuve d'achat doit être présentée pour toute demande de réparation sous garantie.

Cette garantie se limite aux outils électriques à main et d'établi RIDGID® achetés à partir du 1/2/04. Ce produit est fabriqué par One World Technologies, Inc., sous licence de marque de RIDGID®, Inc. Toutes les communications de garantie doivent être adressées à One World Technologies, Inc., aux soins de : Service technique des outils motorisés à main et d'établi RIDGID®, au 1-866-539-1710 (appel gratuit).

GARANTIE DE 90 JOURS EN CAS DE NON SATISFACTION

Si le client n'est pas satisfait pour quelque raison que ce soit au cours des 90 jours suivant la date d'achat de cet outil à main ou d'établi RIDGID®, il pourra retourner le produit au point de vente pour échange ou remboursement complet. Pour obtenir un outil en échange, l'équipement original devra être retourné, dans son emballage d'origine, accompagné d'une preuve d'achat. L'outil fourni en échange sera couvert par la garantie limitée pour le restant de la période de validité de 3 ANS.

CE QUI EST COUVERT PAR LA GARANTIE LIMITÉE DE TROIS ANS

Cette garantie sur les outils motorisés à main et d'établi RIDGID® couvre tous les vices de matériaux et de fabrication, ainsi que les articles de consommation courants, tels que balais, mandrins, moteurs, commandes, cordons, engrenages et même les piles d'outils sans fil de cet outil RIDGID®, pour une période de trois ans, à compter de la date d'achat. Les garanties d'autres produits RIDGID® peuvent être différentes.

RÉPARATIONS SOUS GARANTIE

Pour toute réparation sous garantie, cet outil RIDGID® devra être retourné, en port payé, à un centre de réparations agréé RIDGID® pour outils motorisés à main et d'établi. L'adresse du centre de réparation agréé le plus proche peut être obtenue en appelant au 1-866-539-1710 (appel gratuit), ou en accédant au site Internet RIDGID® : www.ridgid.com. Le centre de réparation agréé corrigera tout défaut de fabrication et réparera ou remplacera (à notre discrétion) gratuitement toute pièce défectueuse.

CE QUI N'EST PAS COUVERT

La garantie ne couvre que l'acheteur original et n'est pas transférable. Cette garantie ne couvre que les problèmes de fonctionnement, défaillances ou autres défauts résultant d'un usage inadéquat ou abusif, de la négligence, de la modification, de l'altération ou de réparations effectuées par un centre de service autre qu'un centre de réparation agréé d'outils motorisés à main et d'établi RIDGID®. Les accessoires jetables fournis avec cet outil, tels que, notamment, les lames, embouts et abrasifs, ne sont pas couverts.

RIDGID®, INC., ET ONE WORLD TECHNOLOGIES, INC. NE FONT AUCUNE AUTRE GARANTIE, REPRÉSENTATION OU PROMESSE CONCERNANT LA QUALITÉ ET LES PERFORMANCES DE SES OUTILS MOTORISÉS, AUTRES QUE CELLES EXPRESSÉMENT INDIQUÉES DANS LE PRÉSENT DOCUMENT.

AUTRES LIMITATIONS

Sous réserve des lois en vigueur, toutes les garanties implicites sont exclues, y compris les GARANTIES DE VALEUR MARCHANDE ou D'ADÉQUATION À UN USAGE PARTICULIER. Toutes les garanties implicites, y compris les garanties de valeur marchande ou d'adéquation à un usage particulier ne pouvant pas être exclues en raison des lois en vigueur, sont limitées à une durée de trois ans, à compter de la date d'achat. One World Technologies, Inc. et RIDGID®, Inc. déclinent toute responsabilité pour les dommages directs ou indirects. Certains états et provinces ne permettant pas de limitation sur la durée des garanties implicites, et/ou l'exclusion ou la limitation des dommages directs ou indirects, les restrictions ci-dessus peuvent ne pas être applicables. Cette garantie donne au consommateur des droits spécifiques, et celui-ci peut bénéficier d'autres droits, qui varient selon les états ou provinces.

One World Technologies, Inc.

P.O. Box 1427
Anderson, SC 29622

REGLAS DE SEGURIDAD GENERALES

ADVERTENCIA:

Lea y comprenda todas las instrucciones. El incumplimiento de las instrucciones señaladas abajo puede causar descargas eléctricas, incendios y lesiones serias.

LEA TODAS LAS INSTRUCCIONES

■ FAMILIARÍCESE CON SU HERRAMIENTA ELÉCTRICA.

Lea cuidadosamente el manual del operador. Aprenda los usos y limitaciones de la herramienta, así como los posibles peligros específicos relacionados con el uso de la misma.

■ PROTÉJASE CONTRA DESCARGAS ELÉCTRICAS EVITE TOCAR CON EL CUERPO SUPERFICIES CONECTADAS A TIERRA.

Por ejemplo: tubos, radiadores, estufas y cajas de refrigeradores.

■ MANTENGA LAS PROTECCIONES EN SU LUGAR y en buenas condiciones de trabajo.

■ RETIRE TODA LLAVE Y HERRAMIENTA DE AJUSTE.

Adquiera el hábito de verificar que se haya retirado de la herramienta eléctrica toda llave y herramienta de ajuste antes de encenderla.

■ MANTENGA LIMPIA EL ÁREA DE TRABAJO.

Una mesa o área de trabajo mal despejada es causa común de accidentes. **NO** deje herramientas o piezas de madera en la herramienta mientras esté funcionando.

■ NO UTILICE LA HERRAMIENTA EN ENTORNOS PELIGROSOS.

No utilice las herramientas eléctricas en lugares húmedos o mojados ni las exponga a la lluvia. Mantenga bien iluminada el área de trabajo.

■ MANTENGA ALEJADOS A LOS NIÑOS Y DEMÁS CIRCUNSTANTES.

Todos los presentes deben llevar puestos anteojos de seguridad y permanecer a una distancia segura del área de trabajo. No permita que ninguno de los presentes toque la herramienta eléctrica o el cordón de extensión mientras esté funcionando la unidad.

■ HAGASU TALLERA PRUEBA DE NIÑOS

con candados, interruptores maestros y retirando las llaves de arranque.

■ NO FUERCE LA HERRAMIENTA.

Efectúa el trabajo mejor y de manera más segura, si se utiliza a la velocidad de avance para la que está diseñada.

■ USE LA HERRAMIENTA ADECUADA A LA TAREA.

No fuerce la herramienta ni ningún accesorio a efectuar tareas para las que no están hechos. No la use para propósitos no indicados en las instrucciones.

■ USE UN CORDÓN DE EXTENSIÓN ADECUADO.

Asegúrese de que esté en buen estado el cordón de extensión. Al utilizar un cordón de extensión sólo utilice uno del calibre suficiente para soportar la corriente que consume el producto. Un cordón de un grueso insuficiente causa una caída en el voltaje de línea, y produce recalentamiento y pérdida de potencia. Se recomienda

que los conductores sean de calibre **12** (A.W.G.) por lo menos, para un cordón de extensión de 15 m (50 pies) de largo o menos. Si tiene dudas, utilice un cordón del calibre más grueso siguiente. Cuanto menor es el número de calibre, mayor es el grueso del cordón.

■ USE ROPA ADECUADA.

No use ropa holgada, guantes flojos, corbata ni alhajas. Podrían engancharse y tirar de usted hacia partes en movimiento. Si tiene el pelo largo, cúbrase para que quede recogido.

■ SIEMPRE PÓNGASE ANTEOJOS DE SEGURIDAD CON PROTECCIÓN LATERAL.

Los anteojos de uso diario tienen lentes resistentes a golpes únicamente; **NO** son anteojos de seguridad.

■ ASEGURE LA PIEZA DE TRABAJO.

Utilice prensas de mano o de banco para sujetar la pieza de trabajo cuando resulte práctico hacerlo. Es más seguro que utilizar la mano y deja ambas manos libres para manejar la herramienta.

■ NO TRATE DE ALCANZAR OBJETOS FUERA DE SU ALCANCE.

Mantenga una postura firme y buen equilibrio en todo momento.

■ DÉ MANTENIMIENTO CON CUIDADO A LAS HERRAMIENTAS.

Mantenga afiladas y limpias las herramientas para obtener de las mismas un desempeño mejor y más seguro. Siga las instrucciones correspondientes al cambio y lubricación de accesorios.

■ DESCONECTE LAS HERRAMIENTAS.

Todas las herramientas deben desconectarse cuando no estén usándose, o al cambiarles aditamentos, hojas de corte, brocas, fresas, etc.

■ EVITE UN ARRANQUE ACCIDENTAL DE LA UNIDAD.

Asegúrese de que el interruptor esté en la posición de apagado antes de conectar la clavija de cualquier herramienta.

■ USE ACCESORIOS RECOMENDADOS.

Consulte este manual del operador, donde aparecen los accesorios recomendados. El empleo de accesorios inadecuados puede originar riesgos de lesiones.

■ NO SE PARE NUNCA EN LA HERRAMIENTA.

Pueden producirse lesiones serias si se vuelca la herramienta eléctrica o se toca la herramienta de corte accidentalmente.

■ INSPECCIONE LAS PIEZAS DAÑADAS.

Antes de seguir utilizando la herramienta, es necesario inspeccionar cuidadosamente toda protección o pieza dañada para determinar si funcionará correctamente y desempeñará la función a la que está destinada. Verifique la alineación de las partes móviles, que no haya atoramiento de partes móviles, que no haya piezas rotas, el montaje de las piezas y cualquier otra condición que pudiera afectar su funcionamiento. Toda protección o pieza que esté dañada debe repararse apropiadamente o reemplazarse en un centro de servicio autorizado.

■ AVANCE LA PIEZA DE TRABAJO EN LA DIRECCIÓN CORRECTA.

Solamente empuje la pieza de trabajo hacia la hoja o herramienta de corte contra el sentido de rotación de ésta.

REGLAS DE SEGURIDAD GENERALES

- **NUNCA DEJE FUNCIONANDO DESATENDIDA LA HERRAMIENTA. APAGUE LA CORRIENTE.** No se aleje la herramienta hasta no verla completamente detenida.
- **PROTÉJASE LOS PULMONES.** Use una careta o mascarilla contra el polvo si la operación de corte genera mucho polvo.
- **PROTÉJASE EL OÍDO.** Durante períodos prolongados de utilización de la unidad póngase protección para los oídos.
- **NO MALTRATE EL CORDÓN ELÉCTRICO.** Nunca tire del cordón para desconectarlo del receptáculo. Mantenga el cordón eléctrico alejado del calor, del aceite y de los bordes afilados.
- **UTILICE CORDONES DE EXTENSIÓN PARA USO EN EL EXTERIOR.** Al utilizar la herramienta en el exterior, sólo utilice cordones de extensión con conexión a tierra aprobada apropiados para uso al aire libre y marcados para tal tipo de uso.
- **NUNCA UTILICE LA UNIDAD EN UNA ATMÓSFERA EXPLOSIVA.** El chispeo normal del motor podría encender los gases presentes.
- **INSPECCIONE PERIÓDICAMENTE LOS CORDONES ELÉCTRICOS DE LAS HERRAMIENTAS.** Si están dañados, llévelos a un establecimiento de servicio autorizado para que los revise un técnico de servicio calificado. El conductor con aislamiento que tiene una superficie exterior verde con o sin tiras amarillas es el conductor de conexión a tierra del equipo. Si es necesaria la reparación o reemplazo del cordón eléctrico o de la clavija, no conecte el conductor de conexión a tierra a una terminal portadora de corriente. Repare o reemplace de inmediato todo cordón dañado o gastado. Siempre esté consciente de la ubicación del cordón y manténgalo bien alejado de la hoja en movimiento de giro.
- **INSPECCIONE PERIÓDICAMENTE LOS CORDONES DE EXTENSIÓN** y reemplácelos si están dañados.
- **CONECTE A TIERRA TODA HERRAMIENTA ELÉCTRICA.** Si la herramienta está equipada de una clavija de tres patillas, debe conectarse en un enchufe eléctrico de tres agujeros.
- **CONSULTE A UN ELECTRICISTA CALIFICADO** o técnico de servicio si no ha comprendido completamente las instrucciones de conexión a tierra o si no está seguro si la herramienta está bien conectada a tierra.
- **SOLAMENTE UTILICE DISPOSITIVOS ELÉCTRICOS CORRECTOS:** Cordones de extensión de tres conductores con clavijas de tres patillas y receptáculos de tres polos que acepten la clavija del cordón de la herramienta.
- **NO MODIFIQUE** la clavija suministrada. Si no entra en la toma de corriente, llame a un electricista calificado para que instale una toma de corriente adecuada.
- **MANTENGA LA HERRAMIENTA SECA, LIMPIA Y LIBRE DE ACEITE Y GRASA.** Siempre utilice un paño limpio para la limpieza de la unidad. Nunca utilice fluidos para frenos, gasolina, productos a base de petróleo ni solventes para limpiar la herramienta.
- **PERMANEZCA ALERTA Y EN CONTROL.** Preste atención a lo que esté haciendo y aplique el sentido común. No utilice la herramienta cuando esté cansado. No se apresure.
- **NO UTILICE LA HERRAMIENTA SI EL INTERRUPTOR NO ENCIENDE O NO APAGA.** Lleve todo interruptor defectuoso a un centro de servicio autorizado para que lo reparen.
- **NUNCA TOQUE LA HOJA** ni ninguna otra pieza en movimiento durante el funcionamiento de la unidad.
- **NUNCA ARRANQUE LA HERRAMIENTA CUANDO LA PIEZA GIRATORIA CORRESPONDIENTE ESTÉ TOCANDO LA PIEZA DE TRABAJO.**
- **NO UTILICE NINGUNA HERRAMIENTA SI SE ENCUENTRA BAJO LOS EFECTOS DE DROGAS, ALCOHOL O MEDICAMENTOS.**
- **AL DAR SERVICIO** a la unidad, sólo utilice piezas de repuesto idénticas. El empleo de piezas diferentes puede causar un peligro o dañar el producto.
- **SOLAMENTE UTILICE ACCESORIOS** señalados en este manual o en los apéndices. El uso de accesorios no señalados en este manual puede presentar riesgos de lesiones corporales. Con los accesorios se incluyen instrucciones para el uso seguro de los mismos.
- **REVISE DOS VECES TODA CONFIGURACIÓN DE LA HERRAMIENTA.** Asegúrese de que la hoja esté apretada y de que no toque la herramienta ni la pieza de trabajo antes de conectar la unidad al suministro de corriente.

REGLAS DE SEGURIDAD ESPECÍFICAS




- **NUNCA EFECTÚE NINGUNA OPERACIÓN DE CEPILLADO** con la cabeza de corte, guía del polvo, o la capucha de polvo desmontadas.
- **NUNCA EFECTÚE UN CORTE DE CEPILLADO** de una profundidad superior a 3,2 mm (1/8 pulg.)
- **NO CEPILLE MATERIAL** de una longitud inferior a 356 mm (14 pulg.) ni de una anchura inferior a 19 mm (3/4 pulg.).
- **MANTENGA UNA RELACIÓN ADECUADA** entre las superficies de entrada y salida y el trayecto de las cuchillas de la cabeza de corte.
- **APOYE ADECUADAMENTE LA PIEZA DE TRABAJO** en todo momento durante la operación; mantenga el control de la pieza de trabajo todo el tiempo.

REGLAS DE SEGURIDAD ESPECÍFICAS







- **NUNCA AVANCE LA PIEZA DE TRABAJO** desde la parte trasera del cepillo.
- **NO INTENTE EFECTUAR** ninguna operación anormal o poco común sin utilizar montajes, guías y topes resistentes, así como los demás elementos necesarios.
- **NUNCA** cepille más de una pieza a la vez. **NO CEPILLE** más de una pieza de trabajo sobre la mesa del cepillo a la vez.
- **ANTES DE COMENZAR**, vuelva a revisar para asegurarse de que estén apretados todos los tornillos de sujeción.
- **APAGUE LA MÁQUINA** y revise de nuevo el apriete de los pernos de cabeza hexagonal y las cuchillas después de 50 horas de funcionamiento aproximadamente.
- **NO FUERCE LA PIEZA DE TRABAJO** a través de la máquina. Permita que el cepillo establezca la velocidad de avance correcta.
- **REVISE LOS RODILLOS DE AVANCE** ocasionalmente para asegurarse de que no haya virutas ni aserrín entre los componentes.
- **SÓLO CEPILLE MADERA EN BUEN ESTADO**; debe carecer de nudos sueltos y tener tan pocos nudos sanos como sea posible. Asegúrese de que la pieza de trabajo carezca de clavos, tornillos, piedras y cualquier otro objeto extraño que pudiera romper o mellar las cuchillas.
- **NUNCA SE PARE DIRECTAMENTE FRENTE** al extremo de entrada o de salida. Párese a un lado.
- **ASEGÚRESE DE QUE LAS CUCHILLAS ESTÉN MONTADAS** según se describe en la sección sobre funcionamiento. Las cuchillas están afiladas y pueden cortarle la mano con facilidad. Tenga precaución al manejar las cuchillas y la protección de la cabeza de corte.
- **NUNCA COLOQUE LOS DEDOS** dentro de la capucha ni bajo la protección de la cabeza de corte.
- **PERMITA QUE LA CABEZA DE CORTE** alcance su máxima velocidad antes de empezar la operación de cepillado.
- **PIEZAS DE REPUESTO.** Todas las reparaciones, ya sea eléctricas o mecánicas, deben ser efectuadas en el centro de servicio autorizado de su preferencia.
- **NO** intente girar la cabeza de corte con las manos.
- **SI CUALQUIER PIEZA DE ESTA HERRAMIENTA ESTÁ FALTANTE**, rota, doblada o funciona mal de cualquier forma, o si cualquier componente eléctrico de la misma no funciona debidamente, apague el interruptor de corriente, retire la clavija del suministro de corriente y llame a un técnico para que reemplace toda pieza dañada, faltante o defectuosa antes de reanudar el trabajo.
- **¡PERMANEZCA ALERTA SIEMPRE!** No permita que su familiaridad con el cepillo (proveniente del uso frecuente del mismo) sea causa de un error de descuido. **SIEMPRE TENGA PRESENTE** que un descuido de un instante es suficiente para causar una lesión grave.
- **ASEGÚRESE DE QUE EL ÁREA DE TRABAJO CUENTE CON SUFICIENTE ILUMINACIÓN** para ver la pieza de trabajo y de que ninguna obstrucción interfiera en la seguridad de la operación **ANTES** de efectuar cualquier trabajo con el cepillo.
- **SIEMPRE APAGUE LA HERRAMIENTA** antes de desconectarla para evitar un arranque accidental de la misma al volver a conectarla al suministro de corriente.
- **SI ESTÁ DAÑADO EL CORDÓN DE CORRIENTE**, debe ser reemplazado únicamente por el fabricante o en un centro de servicio autorizado para evitar riesgos.
- **ESTA HERRAMIENTA** tendrá los siguientes avisos:
 - a) Póngase protección ocular con protección lateral.
 - b) Siempre desenchufe la cepilladora de la fuente de alimentación eléctrica antes de hacer cualquier ajuste o de cambiar las hojas.
 - c) Mantenga las manos fuera de la trayectoria de la cabeza de corte, de los rodillos, de los correas y los polea durante el funcionamiento.
 - d) Póngase guantes de cuero gruesos y tenga cuidado cuando afloje los pernos de cabeza cuadrada o cuando manipule y cabie las hojas.
 - e) No jague ningún ajuste ni intente retirar la madera hasta que la herramienta no haya sido desenchufada de la fuente alimentación eléctrica y las hojas se hayan detenido completamente.
 - f) Tenga cuidado pues las hojas giran y continúan en movimiento después de que la herramienta ha sido apagada.
 - g) Al dar servicio a la unidad, sólo utilice piezas de repuesto idénticas.
- **GUARDE ESTAS INSTRUCCIONES.** Consúltelas con frecuencia y empléelas para instruir a otros usuarios. Si presta a alguien esta herramienta, facilítele también las instrucciones.

SÍMBOLOS

Las siguientes palabras de señalización y sus significados tienen el objeto de explicar los niveles de riesgo relacionados con este producto.

SÍMBOLO	SEÑAL	SIGNIFICADO
	PELIGRO:	Indica una situación peligrosa, la cual, si no se evita, causará la muerte o lesiones serias.
	ADVERTENCIA:	Indica una situación peligrosa, la cual, si no se evita, podría causar la muerte o lesiones serias.
	PRECAUCIÓN:	Indica una situación peligrosa, la cual, si no se evita, podría causar lesiones menores o leves.
	AVISO:	(Sin el símbolo de alerta de seguridad) Indica la información que se considera importante, pero no relacionada con lesiones potenciales (por ej. en relación a daños a la propiedad).

Es posible que se empleen en esta herramienta algunos de los siguientes símbolos. Le suplicamos estudiarlos y aprender su significado. Una correcta interpretación de estos símbolos le permitirá utilizar mejor y de manera más segura la herramienta.

SÍMBOLO	NOMBRE	DENOMINACIÓN/EXPLICACIÓN
	Alerta de seguridad	Indica un peligro posible de lesiones personales.
	Lea el manual del operador	Para reducir el riesgo de lesiones, el usuario debe leer y comprender el manual del operador antes de usar este producto.
	Protección ocular	Siempre póngase protección ocular con protección lateral con la marca de cumplimiento de la norma ANSI Z87.1.
	Símbolo de no acercar las manos	Si no mantiene las manos alejadas de la hoja de corte, se causará serias lesiones corporales.
	Alerta de condiciones húmedas	No exponga la unidad a la lluvia ni la use en lugares húmedos.
V	Volts	Voltaje
A	Amperes	Corriente
Hz	Hertz	Frecuencia (ciclos por segundo)
min	Minutos	Tiempo
~	Corriente alterna	Tipo de corriente
n_0	Velocidad en vacío	Velocidad de rotación, en vacío
	Fabricación Clase II	Fabricación con doble aislamiento
.../min	Por minuto	Revoluciones, carreras, velocidad superficial, órbitas, etc., por minuto

ASPECTOS ELÉCTRICOS

CORDONES DE EXTENSIÓN

Sólo utilice cordones de extensión de 3 conductores con clavijas de tres patillas y receptáculos de tres polos que acepten la clavija del cordón de la herramienta. Al utilizar una herramienta eléctrica a una distancia considerable del suministro de corriente, asegúrese de utilizar un cordón de extensión del grueso suficiente para soportar el consumo de corriente de la herramienta. Un cordón de extensión de un grueso insuficiente causa una caída en el voltaje de línea, además de producir una pérdida de potencia y un recalentamiento del motor. Báse en la tabla suministrada abajo para determinar el calibre mínimo requerido de los conductores del cordón de extensión. Solamente deben utilizarse cordones con forro redondo registrados en Underwriter's Laboratories (UL).

**Amperaje (aparece en la placa frontal)

	0-2.0	2.1-3.4	3.5-5.0	5.1-7.0	7.1-12.0	12.1-16.0
Longitud del cordón	Calibre conductores (A.W.G.)					
25'	16	16	16	16	14	14
50'	16	16	16	14	14	12
100'	16	16	14	12	10	—

**Se usa en los circuitos de calibre 12, 20 amp.

NOTA: AWG = Calibre conductores norma americana

Al trabajar a la intemperie con la herramienta, utilice un cordón de extensión fabricado para uso en el exterior. Tal característica está indicada con las letras "WA" o "W" en el forro del cordón.

Antes de utilizar un cordón de extensión, inspecciónelo para ver si tiene conductores flojos o expuestos y aislamiento cortado o gastado.

ADVERTENCIA:

Mantenga el cordón de extensión fuera del área de trabajo. Al trabajar con una herramienta eléctrica, coloque el cordón de tal manera que no pueda enredarse en la madera, herramientas ni en otras obstrucciones. La inobservancia de esta advertencia puede causar lesiones serias.

ADVERTENCIA:

Inspeccione los cordones de extensión cada vez antes de usarlos. Si están dañados reemplácelos de inmediato. Nunca utilice la herramienta con un cordón dañado, ya que si toca la parte dañada puede producirse una descarga eléctrica, y las consecuentes lesiones serias.

CONEXIÓN ELÉCTRICA

Esta herramienta está impulsada por un motor eléctrico fabricado con precisión. Debe conectarse únicamente a **una línea de voltaje de 120 V, de corriente alterna solamente (corriente normal para uso doméstico), 60 Hz**. No utilice esta herramienta con corriente continua (c.c.). Una caída considerable de voltaje causa la pérdida de potencia y el recalentamiento del motor. Si la herramienta no funciona al conectarla en una toma de corriente, vuelva a revisar el suministro de corriente.

VELOCIDAD Y CABLEADO

Esta velocidad no es constante y disminuye durante el corte o con un voltaje bajo. En cuanto al voltaje, el cableado de un taller es tan importante como la potencia nominal del motor. Una línea destinada sólo para luces no puede alimentar el motor de una herramienta eléctrica. El cable con el calibre suficiente para una distancia corta será demasiado delgado para una mayor distancia. Una línea que alimenta una herramienta eléctrica quizá no sea suficiente para alimentar dos o tres herramientas.

INSTRUCCIONES DE CONEXIÓN A TIERRA

Ve a la figura 1, página 20.

En caso de un mal funcionamiento o desperfecto, la conexión a tierra brinda a la corriente eléctrica una trayectoria de mínima resistencia para disminuir el riesgo de una descarga eléctrica. Esta herramienta está equipada de un cordón eléctrico con un conductor y una clavija de conexión a tierra para equipo. La clavija debe conectarse en una toma de corriente igual que esté instalada y conectada a tierra correctamente, de conformidad con los códigos y reglamentos de la localidad.

No modifique la clavija suministrada. Si no entra en la toma de corriente, llame a un electricista calificado para que instale una toma de corriente adecuada. Si se conecta de forma incorrecta el conductor de conexión a tierra del equipo puede presentarse un riesgo de descarga eléctrica. El conductor con aislamiento que tiene una superficie exterior verde con o sin tiras amarillas es el conductor de conexión a tierra del equipo. Si es necesaria la reparación o reemplazo del cordón eléctrico o de la clavija, no conecte el conductor de conexión a tierra a una terminal portadora de corriente.

Consulte a un electricista calificado o técnico de servicio si no ha comprendido completamente las instrucciones de conexión a tierra o si no está seguro si la herramienta está bien conectada a tierra.

Repáre o reemplace de inmediato todo cordón dañado o gastado.

Esta herramienta debe utilizarse conectada a un circuito con una toma de corriente como la mostrada en la figura 1. También dispone de una patilla de conexión a tierra como la mostrada.

ASPECTOS ELÉCTRICOS

PROTECCIÓN DE SEGURIDAD DEL MOTOR

Este motor debe limpiarse frecuentemente aplicándole un chorro de aire o con aspiradora para evitar la acumulación de polvo de aserrín, lo cual puede interferir en la ventilación normal del motor.

- Conecte esta herramienta a una fuente de energía con la tensión adecuada para su modelo y un circuito de derivación de 15 A con un fusible de acción retardada o un cortacircuito de 15 A. El uso de un fusible de tamaño incorrecto puede dañar el motor.
- Si el motor no arranca, ponga inmediatamente el interruptor de encendido en la posición de apagado y desconecte la herramienta. Compruebe si la cabeza de corte gira libremente. Si dicha cabeza está libre, intente arrancar el motor nuevamente. Si el motor sigue sin arrancar, consulte la sección *Solución de problemas*.

Puede producirse una frecuente fusión de los fusibles o activación de los disyuntores si:

- Se utilizan hojas incorrectas o desafiladas.
NOTA: No utilice continuamente el cepillo mecánico de grosor ajustable ajustado a la máxima profundidad de corte ([3 mm] 1/8 pulg.) o la anchura completa de corte de 330 mm (13 pulg.). El uso continuo a la capacidad de corte máxima dañará el motor.
- Está sobrecargado el motor. Puede ocurrir una sobrecarga si se avanza demasiado rápido la pieza de trabajo o si está desalineada la herramienta.
- El circuito del motor tiene fusibles diferentes a los recomendados. Siempre siga las instrucciones para el uso correcto de fusibles y disyuntores. No utilice un fusible o disyuntor de una capacidad mayor sin consultar a un electricista calificado.
- Voltaje bajo. Aunque el motor está diseñado para funcionar con el voltaje y la frecuencia especificados en el mismo, pueden ser manejadas con seguridad cargas normales de aserrado con voltajes no más de 10 por ciento arriba o abajo del especificado. No obstante, cargas más pesadas requieren que el voltaje en las terminales del motor sea igual al especificado en el mismo.

NOTA: Siempre revise las conexiones, la carga y el circuito de suministro de corriente cada vez que el motor no desempeñe su función satisfactoriamente.

PROTECTOR CONTRA SOBRECARGA DEL MOTOR

Vea la figura 2, página 20.

ADVERTENCIA:

Para disminuir el riesgo de lesiones corporales serias causadas por el lanzamiento de objetos o por tocar la hoja de corte al darse un arranque accidental, de inmediato apague la herramienta si el protector detiene el motor de la misma. Retire la llave del interruptor y permita que se enfríe el motor.

Este cepillo mecánico está equipado con un dispositivo protector contra sobrecargas térmicas que “saltará” automáticamente y hará que el cepillo mecánico se apague si éste se recalienta debido a que se realizan cortes profundos continuos.

El protector contra sobrecargas del cepillo mecánico sólo puede restablecerse manualmente por el usuario después de que se haya dejado que el cepillo se enfríe adecuadamente. Deje que transcurran de 15 a 30 minutos.

Si el protector contra sobrecargas “salta”:

- Ponga el interruptor en la posición de **APAGADO (O)**.
- Suba el carro y retire la tabla.
- Espere 15 a 30 minutos, reajuste el protector contra sobrecarga; para ello, oprima el botón restablecimiento situado en la parte superior de la alojamiento del motor. Un chasquido audible indica cuando queda reajustado el protector contra sobrecarga. Una vez puesto el botón en la posición de reajuste, puede volver a arrancarse la herramienta para utilizarse de la manera normal.
NOTA: Si el botón no queda en la posición de reajuste con un chasquido, significa que el motor está aún demasiado caliente y debe dejarse enfriar.
- Si el motor se ha enfriado, el botón permanecerá introducido.

GLOSARIO DE TÉRMINOS

Trinquetes anticontragolpe (sierras cortar pisos, radiales y de mesa)

Es un dispositivo, el cual, cuando se instala y da mantenimiento correctamente, sirve para detener la pieza de trabajo para no ser lanzada hacia atrás, hacia la parte frontal la sierra durante una operación de corte al hilo.

Árbol

Es el eje donde se monta una hoja o herramienta de corte.

Corte en bisel

Es una operación de corte efectuada con la hoja a un ángulo diferente de 90° con respecto a la superficie de la mesa.

Corte combinado

Es un corte transversal efectuado a inglete y a bisel.

Corte transversal

Es una operación de corte o fresado efectuada a través de la fibra o ancho de la pieza de trabajo.

Cabeza de corte (cepillos normales y de juntas)

Es una cabeza de corte giratoria con hojas o cuchillas ajustables. Las hojas o cuchillas eliminan material de la pieza de trabajo.

Corte de ranura

Es un corte parcial sin traspaso que produce una muesca, o un canal de lado a lado, de lados a escuadra, en la pieza de trabajo (se requiere una hoja especial).

Peine de sujeción

Es un dispositivo empleado como ayuda para controlar la pieza de trabajo guiándola con seguridad contra la mesa o la guía durante las operaciones de corte al hilo.

PPM o CPM

Pies por minuto (o carreras por minuto), se emplea refiriéndose al movimiento de la hoja.

A pulso

Es efectuar un corte sin guiar la pieza de trabajo con ninguna guía, guía de ingletes ni ningún otro medio.

Goma

Es el residuo pegajoso de savia presente en la madera.

Talón

Es la alineación de la hoja con respecto a la guía de corte al hilo.

Corte

Es la cantidad de material eliminado por la hoja en un corte completo con traspaso, o en una ranura producida por la hoja en un corte sin traspaso o parcial.

Contragolpe

Es un peligro que puede ocurrir cuando la hoja se atora o se atasca, y lanza la pieza de trabajo hacia atrás, en dirección del operador.

Corte a inglete

Es una operación de corte efectuada con la pieza de trabajo a un ángulo diferente de 90° con respecto a la hoja.

Cortes sin traspaso

Es cualquier operación de corte en la cual la hoja de corte no traspasa completamente el espesor de la pieza de trabajo.

Agujero guía (taladradoras de columna)

Es un agujero pequeño taladrado en una pieza de trabajo, el cual sirve como guía para taladrar con precisión agujeros más grandes.

Bloques empujadores (para sierras cortar pisos y mesa)

Son dispositivos empleados para empuje la pieza de trabajo a través de la sierra durante operaciones de corte. Para las operaciones de cortes al hilo angostos debe emplearse un palo empujador. Estos medios ayudan al operador a mantener las manos alejadas de la hoja de corte.

Bloques empujadores (para cepillos de juntas)

Son dispositivos empleados para avanzar la pieza de trabajo por el cepillo de juntas durante cualquier operación. Este medio ayuda al operador a mantener las manos alejadas de la cabeza de corte.

Palos empujadores (para sierras cortar pisos y mesa)

Son dispositivos empleados para empuje la pieza de trabajo a través de la sierra durante operaciones de corte. Estos medios ayudan al operador a mantener las manos alejadas de la hoja de corte.

Reaserrado

Es una operación de corte efectuada para reducir el espesor de la pieza de trabajo para hacer piezas más delgadas.

Resina

Es la sustancia pegajosa a base de savia que se endurece.

Revoluciones por minuto (RPM)

Es el número de vueltas realizadas por un objeto en movimiento de giro en un minuto.

Corte longitudinal o al hilo

Es una operación de corte paralela al largo de la pieza de trabajo.

Cuchilla separadora/abridor/separador (para sierras cortar pisos y mesa)

Es una pieza metálica, levemente más delgada que la hoja, la cual se emplea para mantener abierto el corte y también ayuda a evitar un contragolpe.

Trayectoria de la hoja de la sierra

Es el área encima, abajo, detrás o delante de la hoja. En relación con la pieza de trabajo, es el área que será o ha sido cortada por la hoja.

Triscado

Es la distancia que se ha doblado hacia afuera (que se ha triscado) la punta de los dientes de la hoja de la sierra, a partir de la cara de la hoja.

Redondeo de aristas (cepillos)

Es una depresión hecha en cualquiera de los dos extremos de una pieza de trabajo por las cuchillas de corte cuando no se proporciona un apoyo adecuado a la pieza de trabajo.

Aserrado con traspaso

Es cualquier operación de corte en la cual la hoja de corte traspasa completamente el espesor de la pieza de trabajo.

Lanzamiento

Es el lanzamiento hacia atrás de una pieza de trabajo, y normalmente es causado al dejar caer dicha pieza en la hoja o al hacerla tocar accidentalmente ésta.

Pieza de trabajo o material

Es la pieza a la que se efectúa la operación.

Mesa

Es la superficie sobre la cual descansa la pieza de trabajo mientras se le efectúa una operación de corte, taladrado, cepillado o lijado.

CARACTERISTICAS

ESPECIFICACIONES DEL PRODUCTO

Velocidad de Avance..... 23,5 FPM (PPM)
Especificaciones
eléctricas 120 V~, 60 Hz, sólo corr. alt., 15 A
Velocidad en vacío9 000 r/min (RPM)

Altura de cepillado máx..... 156 mm (6-1/8 pulg.)
Ancho de cepillado máx.....330 mm (13 pulg.)
Profundidad de cepillado máx.3 mm (1/8 pulg.)

CONOZCA SU CEPILLO

Vea la figura 3, página 20.

El uso seguro que este producto requiere la comprensión de la información impresa en la herramienta y en el manual del operador así como ciertos conocimientos sobre el proyecto a realizar. Antes de usar este producto, familiarícese con todas las características de funcionamiento y normas de seguridad.

MOTOR DE 15 AMP

Su cepilladora tiene un potente motor de 15 amperes con suficiente potencia para llevar a cabo trabajos de cepillado difíciles.

ALIMENTACION AUTOMATICA

Los rodillos de entrada y salida alimentan la madera a través de la cepilladora.

MANGO DE LA MANIVELA DE AJUSTE DE LA PROFUNDIDAD

La manija de la manivela de ajuste de profundidad se emplea para subir y bajar el conjunto de la cabeza de corte.

GUÍA DEL POLVO

Conectar cualquier de 64 mm (2-1/2 pulg.) manguera de una aspiradora de taller a la guía del polvo ayuda a aminorar la acumulación del serrín en su pieza de trabajo.

IND-I-CUT™ CALIBRE DE PROFUNDIDAD

El IND-I-CUT™ calibre de profundidad se encuentra en la parte delantera de su cepilladora y mide la profundidad de los cortes hasta 3 mm (1/8 pulg.).

REPEAT-A-CUT™

El indicador de recepillado, situado en el lado derecho de la caja de la máquina, tiene medidas preajustadas para cepillado repetitivo.

BOTÓN DE REAJUSTE

El botón de reajuste sirve para abrir el circuito de la línea de corriente cuando la temperatura del motor sobrepasa un nivel seguro, cuando está sobrecargado el motor, o cuando existe una condición de voltaje bajo.

ESCALA

Verifique rápidamente el espesor de la pieza de trabajo usando escala.

SURE-CUT™ CARRIAGE LOCK

El seguro de la cabeza del carro SURE-CUT™ ayuda a minimizar redondeo de aristas en el fin del pieza de trabajo cerrando la cabeza de corte en el lugar.

CONJUNTO DE INTERRUPTOR Y LLAVE DEL INTERRUPTOR

Su cepilladora tiene un interruptor de encendido de fácil acceso. Para bloquearlo en la posición **APAGADO (O)**, retire la llave del interruptor. Coloque la llave en un lugar que no sea accesible a los niños ni a otras personas no calificadas para usar la herramienta.

EXTENSIONES DE LA MESA

La máquina cuenta con extensiones de entrada y salida de la mesa y se pliegan hacia arriba para facilidad de almacenamiento. Estas extensiones de la mesa son útiles cuando se cepillan piezas de trabajo largas.

ESCALA DE GROSOR

La escala de grosor despliega con exactitud la altura de las hojas hasta un máximo de 152 mm (6 pulg.).

ALMACENAMIENTO DE LA HERRAMIENTA

Una llave magnética de la hoja puede ser almacenada en el panel lateral izquierdo del cepillo.

ARMADO

HERRAMIENTAS NECESARIAS

Vea la figura 4, página 21.

Las siguientes herramientas (no incluido o dibujado para escalar) son necesarias para el montaje y el mantenimiento:

- Escuadra de carpintero

LISTA DE PIEZAS SUELTAS

Vea la figura 5, página 21.

Los siguientes accesorios vienen incluidos con herramienta:

Núm.

ref.	Descripción	Cant.
A	Guía del polvo	1
B	Llave magnética de la hoja.....	1
C	Llave del interruptor.....	1
D	Manivela de ajuste de la profundidad	1
E	Arandela de fijación	1
F	Tornillo de hexagonal hueca.....	1
	Manual del operador (no se ilustra)	1

DESEMPAQUETADO

Este producto requiere armarse.

NOTA: Cada cepillo regruesador RIDGID® se prueba en la fábrica para asegurar la perfección de su desempeño. Es posible que haya pequeñas cantidades de aserrín y virutas en su nuevo cepillo.

- Levante cuidadosamente la cepilladora para sacarla y colóquela en una superficie de trabajo plana.

NOTA: Esta herramienta es pesada. Para evitar sufrir lesiones en la columna, levante con las piernas, no con la espalda, y obtenga ayuda cuando sea necesario.

ADVERTENCIA:

No utilice este producto si alguna pieza incluida en la lista de piezas sueltas ya está ensamblada al producto cuando lo desempaqueta. El fabricante no ensambla las piezas de esta lista en el producto. Éstas deben ser instaladas por el usuario. El uso de un producto que puede haber sido ensamblado de forma inadecuada podría causar lesiones personales graves.

- Inspeccione cuidadosamente la herramienta para asegurarse de que no haya sufrido ninguna rotura o daño durante el transporte.
- No deseche el material de empaquetado sin haber inspeccionado cuidadosamente este producto y haberla utilizado satisfactoriamente.
- Quite el plástico que cubre la mesa de cepilladora antes de prender este producto.
- La sierra viene ajustada desde la fábrica para realizar cortes exactos. Después de armarla verifique la exactitud de la misma. Si en el envío resultaron afectados los ajustes, llegar al centro de servicio autorizado.
- Si hay piezas dañadas o faltantes, le suplicamos llamar al 1-866-539-1710, donde le brindaremos asistencia.

ADVERTENCIA:

Si hay piezas dañadas o faltantes, no utilice esta producto sin haber reemplazado todas las piezas. Usar este producto con partes dañadas o faltantes puede causar lesiones serias al operador.

ADVERTENCIA:

No intente modificar esta herramienta ni hacer accesorios no recomendados para la misma. Cualquier alteración o modificación constituye maltrato el cual puede causar una condición peligrosa, y como consecuencia posibles lesiones corporales serias.

ADVERTENCIA:

No conecte la unidad al suministro de corriente antes de terminar de armarla. De lo contrario la unidad puede ponerse en marcha accidentalmente, con el consiguiente riesgo de lesiones serias.

MONTAJE DE LA CEPILLO EN UN BANCO DE TRABAJO

Si la cepilladora va a ser usada en un lugar permanente, recomendamos que usted la asegure en un lugar fijo tal como un banco de trabajo u otra superficie estable. Cuando instale la cepilladora en el banco de trabajo, se deben taladrar agujeros a través de la superficie de soporte del banco de trabajo.

- Marque agujeros en el banco de trabajo donde la cepilladora va a ser instalada utilizando los agujeros de la base de la cepilladora como plantilla para la configuración de los agujeros.
- Taladre cuatro agujeros a través del banco de trabajo.
- Coloque la cepilladora en el banco de trabajo alineando los agujeros de la base con los agujeros taladrados en el banco de trabajo.
- Inserte los cuatro pernos (no incluidos) y apriételos firmemente con las arandelas de seguridad y las tuercas hexagonales (no incluidas).

NOTA: Todos los pernos deben ser insertados desde arriba. Instale las arandelas de seguridad y las tuercas hexagonales desde el lado inferior del banco.

La superficie de soporte donde se instalará la cepilladora debe ser examinada cuidadosamente después del montaje para asegurarse que no se producirá movimiento durante el uso. Si se observa inclinación o movimiento, asegure el banco de trabajo o la superficie de soporte antes de comenzar las operaciones de corte.

ARMADO

SUJECION DE LA CEPILLO EN EL BANCO DE TRABAJO

Ve la figura 6, página 21.

Si la cepilladora va a ser usada como una herramienta portátil, recomendamos que la instale permanentemente en una tabla de montaje que pueda ser fácilmente sujeta con prensas en C en un banco de trabajo o en otra superficie de soporte. La tabla de montaje debe ser de tamaño suficiente para evitar que la sierra se vuelque cuando se esté usando. Se recomienda cualquier madera contrachapada de buena calidad o cartón gris de 19 mm (3/4 pulg.) de espesor.

- Marque agujeros en la tabla donde la cepilladora va a ser instalada utilizando como plantilla los agujeros de la base de la cepilladora para la configuración de los agujeros.
- Siga los últimos tres pasos de la sección: **Montaje de la Cepilladora en el Banco de Trabajo.**

Si se usan tirafondos, asegúrese de que los pernos de montaje sean lo suficientemente largos para pasar a través de los agujeros en la base de la cepilladora y en el material en cual está siendo montada. Si se usan pernos de máquina, asegúrese de que los pernos de montaje sean lo suficientemente largos para pasar a través de los agujeros en la base de la cepilladora, del material en cual está siendo montada, de las arandelas de seguridad y de las tuercas hexagonales.

INSTALACIÓN DE LA MANGO DE LA MANIVELA DE AJUSTE DE PROFUNDIDAD

Ver la figura 7, página 21.

- Con el tornillo de hexagonal hueca y arandela de seguridad, apretar firmemente la mango de la manivela de ajuste de profundidad el cepillo.

NOTA: El mango tiene una D-forma que deberá alinear para asegurar correctamente.

ADVERTENCIA:

Nunca utilice la el cepilladora sin la guía del polvo en su lugar. Si no instalar el polvo que la guía podría exponer a operario de ventilar y puede causar lesiones corporales serias.

INSTALACION DE GUÍA DEL POLVO

Ver la Figura 8, página 22.

- Retire el tornillo de hexagonal hueca y la tuerca del guía de polvo.
- De la trasero de la máquina, deslice la guía de polvo sobre el orificio de escape

NOTA: La orejeta en el orificio de escape debe deslizar entre las dos orejetas en la guía de polvo y alinea con los hoyos del tornillo.

- Coloque el tornillo de hexagonal hueca por la guía de polvo y lengüeta.
- Coloque la tuerca y asegure en lugar que utiliza la llave de hoja.

NOTE: Para minimizar acumulación de serrín en su pieza de trabajo, conecta un 2-1/2 pulg. vac de tienda a la guía del polvo.

NIVELACION DE LAS EXTENSIONES DE LA MESA

Ver las figuras 9 y 10, página 22.

Las extensiones de entrada y salida de la mesa está instaladas en la mesa. Son embarcadas en posición plegada vertical pero deben ser colocadas en posición horizontal antes de poner en marcha la cepilladora. Para cepillado exacto, las extensiones de la mesa deben estar a nivel con la mesa de la cepilladora.

NOTA: Para rendimiento óptimo, siempre verifique que las extensiones de la mesa estén a nivel con la mesa antes de comenzar a cepillar.

- Coloque una regla o nivel a través de la mesa de la cepilladora y de las extensiones de la mesa.
- Si es necesario ajustar, levante las extensiones de la mesa y afloje las contratueras. Ajuste los tornillos de tope (uno en cada lado) hasta que la extensión de la mesa quede a nivel con la mesa de la cepilladora.
- Empuje hacia abajo la extensión de la mesa para asegurarse de que la extensión esté debidamente asentada.
- Apriete las contratueras cuando se hayan completado los ajustes.

FUNCIONAMIENTO

ADVERTENCIA:

No permita que su familiarización con las herramientas lo vuelva descuidado. Tenga presente que un descuido de un instante es suficiente para causar una lesión grave.

ADVERTENCIA:

Siempre póngase protección ocular con la marca de cumplimiento de la norma ANSI Z87.1. La inobservancia de esta advertencia puede permitir que los objetos lanzados hacia los ojos puedan provocar lesiones graves.

ADVERTENCIA:

No utilice ningún aditamento o accesorio no recomendado por el fabricante de esta herramienta. El empleo de aditamentos o accesorios no recomendados podría causar lesiones serias.

ADVERTENCIA:

La utilización de este cepillo para cepillar materiales no recomendados puede dañar el propio cepillo, y puede causar lesiones serias.

ADVERTENCIA:

Nunca cepille una pieza de trabajo que contenga nudos sueltos u objetos extraños. No cepille piezas de trabajo que estén seriamente combadas, torcidas o pobladas de nudos. Las cuchillas pueden desafilarse, mellarse o romperse, causando así posibles lesiones graves.

ADVERTENCIA:

No fuerce la pieza de trabajo a través de la máquina. Permita que el cepillo establezca la velocidad de avance correcta.

USOS

Esta herramienta puede emplearse para el fin señalado abajo:

- Cepillado de la superficie de madera sólida y productos de madera

CEPILLADO DE REGRUESAMIENTO

El cepillado de regruesamiento sirve para conferir a la pieza de trabajo el espesor deseado y una superficie lisa

nivelada. El espesor cortado en cada pasada depende del tipo de madera (dura o blanda), ancho, rectitud y grado de sequedad de la pieza de trabajo, así como la composición de la fibra de la misma. Siempre que trabaje con un nuevo tipo de madera, efectúe cortes de prueba delgados en un pedazo de madera de desecho primero para determinar posibles problemas con la pieza de trabajo.

SUGERENCIAS PARA EL CEPILLADO

- Los cepillos regruesadores funcionan mejor si por lo menos un lado de la pieza de trabajo tiene la superficie lisa. Cuando ambos lados de la pieza de trabajo están ásperos, utilice primero un cepillo desbastador o juntero para definir la superficie plana inicial. Cepille un lado de la pieza de trabajo, luego voltéela y cepille la superficie del lado inverso.
- Para alcanzar el espesor deseado, siempre cepille ambos lados de la pieza de trabajo. De esta manera se deja la pieza de trabajo con humedad uniforme para impedir la distorsión de la misma durante el proceso natural de secado.
- Cuando un extremo de la pieza de trabajo es de un espesor superior al lado opuesto en más de 3 mm (1/8 pulg.), efectúe varias cepilladuras comenzando con cepilladuras superficiales primero. Recuerde que las cepilladuras superficiales producen un acabado más fino que las cepilladuras profundas.
- No cepille ninguna pieza de trabajo de un espesor inferior a 8 mm (5/16 pulg.).
- No cepille ninguna pieza de trabajo de una anchura inferior a 19 mm (3/4 pulg.).
- No cepille ninguna pieza de trabajo de una longitud inferior a 356 mm (14 pulg.).
- No cepille más de una pieza a la vez.
- No baje el conjunto de la cabeza de corte a una altura inferior a 8 mm (5/16 pulg.).
- No use el cepillo ajustado a la profundidad máxima de corte de 3 mm (1/8 pulg.) o a la anchura máxima de 330 mm (13 pulg.). Si usa la unidad continuamente a la máxima capacidad de corte se daña el motor.
- Las cuchillas gastadas afectan la precisión del corte de cepillado. Si se cepilla con cuchillas desafiladas o melladas pueden producirse superficies ásperas o con ondulaciones.
- La goma y la resina presentes en las cuchillas y cilindro de alimentación causan un desgaste prematuro en éstas. Si se usa limpiador de goma y resina para mantener limpias las cuchillas y cilindro de alimentación se prolonga la duración de éstas.
- Consulte la sección *Mantenimiento* de este manual del operador, donde encontrará las instrucciones sobre la forma correcta de montar y desmontar las cuchillas.
NOTA: Las cuchillas tienen filo por ambos lados y pueden voltearse una vez que al filo no usado, el opuesto, antes de requerirse cuchillas de repuesto. SIEMPRE deben reemplazarse en juegos las cuchillas.

FUNCIONAMIENTO

FORMA DE EVITAR EL REDONDEO DE ARISTAS

El redondeo de aristas, que es una depresión hecha en cualquiera de los dos extremos de una pieza de trabajo por las cuchillas de corte, ocurre cuando no se proporciona un apoyo adecuado a la tabla. Aunque el redondeo de aristas apenas se nota, es importante mantener la pieza paralela y abatida sobre la mesa del cepillo para reducir al mínimo dicho problema. Avanzando las piezas en fila punta con punta a medida que se pasan por el cepillo se reduce el problema, especialmente en el caso de piezas más cortas, debido a que se suministra un avance más estable.

Para piezas de una longitud superior a 1,2 metros (48 pulg.), debe tenerse mayor cuidado para reducir el problema ya que la longitud adicional significa que más proporción del peso total queda sin recibir soporte de la mesa y los rodillos del cepillo, de manera que el peso desplazado dificulte la tarea de mantener horizontal la tabla.

Para eliminar el redondeo de aristas de una pieza terminada, corte el extremo de la pieza donde es notorio dicho redondeo.

MADERA COMBADA

Para el cepillado, poco o ningún combamiento es el estado ideal de una pieza. Simplemente voltee la pieza y cepíllela al espesor deseado. De otra manera, cepille la cara superior primero, voltee la pieza y cepille la cara inferior.

Con una pieza acanalada o arqueada a lo ancho, el mejor método es aserrar longitudinalmente la tabla por la mitad y cepillar ambas mitades por separado. Con este método se elimina mucho del desperdicio producido al cepillar piezas acanaladas o arqueadas.

La única forma de eliminar el arqueamiento de una pieza acanalada o arqueada en toda su longitud es mediante un cepillo juntero.

Evite cepillar madera seriamente distorsionada, ya que puede atorarse en el cepillo. Si es necesario utilizarse tal madera, asérrela a lo largo por la mitad antes de cepillarla para reducir la posibilidad de un atoramiento de la misma. Si ocurre un atoramiento de la madera, apague el interruptor y desconecte de inmediato el cepillo. Suba el conjunto de la cabeza de corte lo suficiente para retirar fácilmente la pieza. Revise cuidadosamente para asegurarse de que no haya sufrido ningún daño la herramienta antes de efectuar la siguiente pasada de cepillado.

Siempre avance la pieza en la dirección de la fibra de la madera. De esta manera se permite que las cuchillas corten las fibras de la madera en lugar de arrancarlas. Avanzando la pieza contra la fibra también se causa que las cuchillas astillen la pieza.

CONJUNTO DE INTERRUPTOR

Vea la figura 11, página 23.

El cepillo está equipado con un conjunto de interruptor dotado de cerradura de llave integrada. Esta característica tiene la finalidad de evitar el uso no autorizado y posiblemente peligroso por niños y otras personas.

PARA ENCENDER EL CEPILLO:

- Para encender la herramienta, introduzca la llave en el interruptor y levante éste a la posición de **ENCENDIDO (I)**.

PARA APAGAR EL CEPILLO:

- Para apagar la herramienta, teniendo la llave en el interruptor, baje éste a la posición de **APAGADO (O)**.

PARA ASEGURAR EL CEPILLO:

- Ponga el interruptor en la posición de **APAGADO (O)**.
- Retire la llave del interruptor y guárdela en un lugar seguro.



ADVERTENCIA:

Cuando no esté en uso la herramienta, siempre retire la llave del interruptor y guárdela en un lugar seguro. En caso de una interrupción en el suministro de corriente, ponga el interruptor en la posición de **APAGADO (O)** y retire la llave. De esta manera se evita un arranque por accidente de la herramienta al restablecerse la corriente.



ADVERTENCIA:

Siempre asegúrese de que la pieza de trabajo no toque la hoja antes de accionar el interruptor para encender la herramienta. La inobservancia de esta advertencia puede causar el lanzamiento violento de la pieza de trabajo hacia el operador, con posibles lesiones serias.

USO DE SEGURO DE LA CABEZA DEL CARRO SURE-CUT™

Vea la figura 12, página 23.

Nunca ajuste la seguro de la cabeza de corte con la cerradura de cabeza de corte en la posición “asegurada”. Una rotación completa del mango de la manivela de ajuste de profundidad mueve la conjunto de cabeza de corte 1/16 pulg.

PARA LEVANTAR LA CABEZA DE CORTE:

- Con el el interruptor de corriente en la posición de **ENCENDIDO (I)**, levanta el seguro de la cabeza del carro SURE-CUT™ para desatranca el conjunto de cabeza de corte.
- Gire el mango de la manivela de ajuste de profundidad a la derecha para levantar la cabeza de corte.
- Una vez que cabeza de corte está en la posición deseada, cierre la cabeza de corte empujando el cabeza del carro SURE-CUT™ abajo.

PARA BAJAR LA CABEZA DE CORTE:

- Con el el interruptor de corriente en la posición de **ENCENDIDO (I)**, levanta el seguro de la cabeza del carro SURE-CUT™ para desatranca el conjunto de cabeza de corte.
- Gire el mango de la manivela de ajuste de profundidad a la izquierda para levantar la cabeza de corte.
- Una vez que cabeza de corte está en la posición deseada, cierre la cabeza de corte empujando el cabeza del carro SURE-CUT™ abajo.

FUNCIONAMIENTO

AJUSTE DE LA PROFUNDIDAD DE CEPILLADO

Vea la figura 12, página 23.

La mango de la manivela de ajuste de profundidad sirve para ajustar la cantidad de madera que va a eliminarse en cada pasada de cepillo. Nunca haga un corte que cepilla más profundo que 1/16 pulg. para la madera dura hasta 6 pulg. ancho o 1/32 pulg. para la madera dura entre 6 pulg. y 13 pulg. lejos.

Nunca efectúe un corte de cepillado de una profundidad superior a 3 mm (1/16 pulg.) de madera entre 152 mm (6 pulg.) y 330 mm (13 pulg.) de ancho.

NOTA: Nunca ajuste altura de hoja con la cabeza de corte en la posición asegurada.

NOTA: No use continuamente el cepillo ajustado a la profundidad máxima de corte de 3 mm (1/8 pulg.), ya que se daña el motor. Gire a la izquierda la mango de la manivela de ajuste de profundidad para bajar la cabeza de corte a la profundidad presente de la profundidad de cepillado. Con cada vuelta completa de la manija se sube o baja 2 mm (1/16 pulg.) la cabeza de corte.

IND-I-CUT™ CALIBRE DE PROFUNDIDAD

Vea las figura 12-13, página 23.

El IND-I-CUT™ calibre de profundidad indica la cantidad de madera que va siendo sacada en cada pasada de cepillado. La pieza de trabajo debe estar colocada debajo del calibre de profundidad en la parte delantera de la cepilladora.

Nunca haga un corte de cepillado más profundo que:

- 1/8 pulg. (3 mm) para material de hasta 152 mm (6 pulg.) de ancho - 1/16 pulg. de madera
- 1,6 mm (1/16 pulg.) para material de 152 mm - 330 mm (6 pulg. - 13 pulg.) de ancho - 1/32 pulg. de madera

No use continuamente la cepilladora ajustada a la profundidad máxima de corte de 3 mm (1/8 pulg.), pues se dañará el motor.

CEPILLADO

Vea la figura 14, página 23.

ADVERTENCIA:

Nunca cepille una pieza de trabajo que contenga nudos sueltos u objetos extraños. No cepille piezas de trabajo que estén seriamente combadas, torcidas o pobladas de nudos. Las cuchillas pueden desafilarse, mellarse o romperse, causando así posibles lesiones graves.

Para su primer intento de cepillado use madera de desecho. Una vez cepillada la madera, verifique la precisión de todas las medidas. Si no están exactas las medidas, vea la sección *Ajustes*, donde encontrará instrucciones adicionales.

Cada vez antes de usar el cepillo revise para ver si hay tornillos, conexiones o piezas de ferretería sueltas; asegúrese de que la capucha de captación de aserrín esté firmemente montada y de que la cabeza de corte gire libremente. Baje el conjunto de la cabeza de corte aproximadamente a 25 mm (1 pulg.) de la superficie de la mesa del cepillo. Sin pasar ninguna pieza por el cepillo pruebe el motor; para ello, encienda el cepillo y

permita que alcance su velocidad máxima. Si el cepillo suena excesivamente o tiene una vibración excesiva, apague de inmediato la máquina, revísela de nuevo para ver si hay piezas sueltas y apriete las que encuentre así.

ADVERTENCIA:

Para evitar lesiones serias, no se pare directamente frente a la parte delantera o trasera del cepillo. Si un objeto resulta lanzado del cepillo, vuela en tal dirección.

- Párese a un lado del área de entrada del cepillo.
- Ponga el interruptor en la posición de **ENCENDIDO (I)**.
- Levante la pieza y póngala en la mesa de la máquina; para ello, sujétela por los cantos aproximadamente a la mitad de la longitud. Deposite el extremo de la tabla en la mesa de entrada y diríjala hacia el interior del cepillo.
NOTA: Debe proporcionarse apoyo adicional con soportes independientes a toda tabla de una longitud superior a 610 mm (24 pulg.).
- Empuje levemente la tabla y permita que el avance automático pase la tabla a través del cepillo.
- Suelte la tabla y permita que funcione correctamente el avance automático. No empuje ni tire de la pieza de trabajo.
- Desplácese a un lado de la parte trasera del cepillo y reciba la madera cepillada; para ello, sujétela de la misma forma en que la puso en la mesa de entrada. No sujete ninguna parte de la tabla que no haya pasado el área de salida de la mesa.

RECEPILLADO/USO DE LA CUBIERTA REPEAT-A-CUT™

Vea la figura 15, página 23.

El cepillo dispone de una característica de recepillado con marcas prefijadas para efectuar un cepillado repetitivo. La cubierta REPEAT-A-CUT™ permite cepillar material a una medida fija de corte de cepillado. La máxima profundidad del indicador de recepillado es 1-3/4 pulg. (44 mm).

- Eleve el conjunto de la cabeza de corte a una altura superior a 44 mm (1-3/4 pulg.).
- Gire REPEAT-A-CUT™ a la altura deseada.
- Baje el conjunto de la cabeza de corte a la coupe la profondeur pour la première passe de cepillado deseada.
- Párese a un lado del área de entrada del cepillo.
- Ponga el interruptor en la posición de **ENCENDIDO (I)**.
- Cepillado la pieza de trabajo (vea **Ajuste de la Profundidad de Cepillado** por máxima de corte).
- Repita los pasos, bajando la cabeza de corte en cada paso progresivo hasta que las paradas de mango que alcancen el REPEAT-A-CUT™ que ajustes.
- Repita los pasos anteriores hasta para tablas adicionales ser cepillado REPEAT-A-CUT™ que pone
- Después de que competición de cepillar REPEAT-A-CUT™, repuso REPEAT-A-CUT™ a 1/8 pulg.

AJUSTES

ADVERTENCIA:

Antes de efectuar cualquier ajuste, asegúrese de que la herramienta esté desconectada de la fuente de alimentación y que el interruptor esté en la posición **APAGADO (O)**. El incumplimiento de esta advertencia puede causar una lesión personal grave.

AJUSTE DE LA ESCALA DE GROSOR

Ver figura 16, página 24.

La escala de grosor, situada en la parte delantera derecha de la cepilladora, muestra la profundidad de la pieza de trabajo terminada. Se pueden evitar los cortes inexactos verificando periódicamente el alineamiento de la escala de grosor.

- La mesa de la cepilladora y las extensiones de la mesa deben estar niveladas.
- Cepille un pedazo de madera sobrante y mida la espesor de la pieza terminada.
- Si está debidamente ajustada, la espesor de la pieza terminada debe ser la misma que indica la escala de grosor.
- Si está desajustada, afloje los tornillos del indicador de la escala que sujetan el indicador de la escala y ajuste el indicador de grosor en el ajuste correcto.
- Vuelva a apretar los tornillos.

AJUSTE DE LAS CUCHILLAS

Ve la figura 17, página 24.

ADVERTENCIA:

Siempre lleve guantes protectores antideslizantes y cuidado de uso al aflojar tornillos de cabeza cuadrada y manejando y/o cambiar las hojas. Las hojas son agudas y pueden causar personal grave.

Pueden aparecer pequeñas melladuras en las cuchillas por cepillar piezas con granos de arena u otras partículas adheridas a la misma. Pueden efectuarse ajustes finos a una o ambas cuchillas para compensar tales imperfecciones en el cepillado.

- Desconecte el cepillo.
 - Baje el conjunto de la cabeza de corte.
 - Quite la perillas del capucha del polvo encargados de fijar la capucha de polvo de aserrín en su lugar. Retire la capucha y deposítela a un lado.
-

ADVERTENCIA:

Para evitar lesiones, NUNCA gire manualmente la cabeza de corte.

- Si cabeza de corte no es cerrada, gire hasta que cierre.
NOTA: Girar la cabeza de corte es lograda girando el ventilador del escape con los dedos hasta las cerraduras de cabeza de corte en el lugar.
- Con la llave de hoja, afloje, pero no quita, los pernos encargados de asegurar las cuchillas en la cabeza de corte.
- Empuje el extremo de la cuchilla ya sea desde el extremo izquierdo o el derecho para desplazar lateralmente la cuchilla según se desee. La cuchilla puede desplazarse hasta 1,2 mm (3/64 pulg.).
- Vuelva a apretar firmemente los pernos de cabeza cuadrada.
- Vuelva a colocar la capucha de polvo de aserrín y la perillas del capucha del polvo para asegurarla.

MANTENIMIENTO

ADVERTENCIA:

Al dar servicio a la unidad, utilice sólo piezas de repuesto idénticas. El empleo de piezas diferentes puede presentar un peligro o causar daños al producto.

ADVERTENCIA:

Siempre póngase protección ocular con la marca de cumplimiento de la norma ANSI Z87.1. Si la operación genera mucho polvo, también póngase una mascarilla contra el polvo.

MANTENIMIENTO GENERAL

Evite el empleo de solventes al limpiar piezas de plástico. La mayoría de los plásticos son susceptibles a diferentes tipos de solventes comerciales y pueden resultar dañados. Utilice paños limpios para eliminar la suciedad, el polvo de los carbones, etc.

ADVERTENCIA:

No permita en ningún momento que los líquidos para frenos, gasolina, productos a base de petróleo, aceites penetrantes, etc., hagan contacto con las piezas de plástico. Estos líquidos contienen compuestos químicos que pueden dañar, debilitar o destruir el plástico.

LUBRICACIÓN

Todos los cojinetes de esta herramienta están lubricados con suficiente cantidad de aceite de alta calidad para toda la vida útil de la unidad, en condiciones normales de funcionamiento. Por lo tanto, no se necesita lubricación adicional.

ADVERTENCIA:

Para garantizar la seguridad y fiabilidad, todas las reparaciones deben ser efectuadas en un centro de servicio autorizado por un técnico de servicio calificado, para evitar riesgos de lesiones corporales.

MOTOR/ASPECTOS ELÉCTRICOS

El motor universal es de fácil mantenimiento, pero debe mantenerse limpio. No permita que se acumule en el mismo agua, aceite ni aserrín. Los cojinetes sellados están lubricados permanentemente y no necesitan ninguna atención adicional.

LIMPIEZA

- Desconecte el cepillo.

Cualquier acumulación de aserrín y otros desechos puede causar un cepillado impreciso. Para lograr un cepillado exacto y preciso se requiere la limpieza y encerado periódicos de la herramienta.

No permita que se acumule aserrín en el cepillo. Limpie la capucha cada vez después de usar la herramienta.

PELIGRO:

Cuchillas girando bajo la capucha. Para evitar lesiones, mantenga lejos los dedos.

Las piezas móviles deben limpiarse periódicamente con aceite penetrante y luego deben lubricarse con una capa delgada de aceite de máquina de viscosidad media.

Debe aplicarse cera en pasta a la superficie de la mesa de cepillado para facilitar el movimiento de la pieza de trabajo por la misma, pero debe tenerse cuidado de no aplicar tanta que sea absorbida por la madera y la manche.

Revise los rodillos de avance cada vez después de usar la herramienta para ver si hay acumulación de resina, ya que para poder funcionar eficientemente, los rodillos deben estar limpios. Si se presenta una acumulación, utilice un limpiador suave no inflamable de goma y resina.

LUGAR DE GUARDAR LA LLAVE DE LA HOJA

Ver figura 18, página 24.

Para su conveniencia, la llave de hoja puede ser almacenada en el panel de izquierda.

Deseche de manera adecuada las cuchillas usadas. Envuelva en cinta adhesiva las cuchillas antes de desecharlas para evitar lesiones accidentales.

MANTENIMIENTO

ALMACENAMIENTO DEL CORDÓN

Ver la figura 19, página 24.

Cuando no está en uso la unidad, el cordón eléctrico debe enrollarse del cepillo.

ADVERTENCIA:

Verifique los cordones de extensión después de cada uso. Si están dañados reemplácelos inmediatamente. Nunca use la herramienta con un cordón dañado pues si se toca el área dañada se puede producir un choque eléctrico provocando una lesión grave.

REEMPLAZO DE LAS ESCOBILLAS

Vea la figura 20, página 25.

Los conjuntos de las escobillas de acceso externo están situados en las partes delantera derecha y trasera izquierda del cepillo. Debe revisarse el desgaste de estas escobillas 10 ó 15 horas de funcionamiento. Reemplace ambas escobillas cuando una u otra tenga menos de 6 mm (1/4 pulg.) de carbón restante.

NOTA: La capucha puede quitarse para tener más fácil acceso al retirar la tapa de la escobilla trasera.

- Desconecte el cepillo y retire la llave del interruptor.
- Con un destornillador de punta plana desenrosque la tapa de la escobilla. El conjunto de cada escobilla está montado con un resorte y salta al retirarse la tapa de la escobilla.
- Retire el conjunto de la escobilla (escobilla y resorte) e inspecciónelo para ver el desgaste de la misma. Si queda menos de 6 mm (1/4 pulg.) de carbón restante en la escobilla, reemplace ambos conjuntos de las escobillas. Nunca reemplace un solo lado sin reemplazar el otro.
- Instale conjuntos de escobillas nuevos si se requiere, o vuelva a instalar los conjuntos de escobillas viejos.
- Vuelva a colocar la tapa y apriétela firmemente.

REEMPLAZO DE LAS HOJAS

Ver las figuras 21 a 25, página 25.

ADVERTENCIA:

Siempre lleve guantes protectores antideslizantes y cuidado de uso al aflojar tornillos de cabeza cuadrada y manejando y/o cambiar las hojas. Las hojas son agudas y pueden causar personal grave.

Su cepilladora está equipada con hojas de filo doble instaladas en un portahoja rotatorio. Las hojas gastadas afectarán la exactitud del cepillado y pueden producir surcos en la pieza de trabajo.

NOTA: Las hojas de repuesto pueden parecer ligeramente diferentes de las hojas originales.

- Desenchufe su cepilladora.
- Baje el conjunto de la cabeza de corte o 1 pulg. altura.
- Desde la parte posterior del cepillo, retire los tornillos a cargo de fijar en su lugar el vertedero para aserrín.
- Retire el capucha de polvo.
- Si cabeza de corte no es cerrada, gire hasta que cierre.
NOTA: Girar la seguro de la cabeza de corte es lograda girando el ventilador del escape de polvo con los dedos hasta las cerraduras de cabeza de corte en el lugar. Bloqueo del cortador al girarla se engancha el seguro de ésta. No utilice el cepillo regruesador sin el vertedero de aserrín montado en su lugar, o de lo contrario se dañará el cepillo.
- Retire suelta y retire los pernos de cabeza cuadrada.
- Utilizando la llave de hoja magnética, quita la barra del fijación de la hoja colocando la mango de llave de hoja, levantar ligeramente, entonces tirando derecho fuera.
- Repita los pasos para quitar la hoja.
NOTA: Si va a cambiar al segundo lado de la cuchilla, gire ésta “extremo por extremo” manteniendo abajo el mismo lado plano. De esta manera se coloca correctamente la cuchilla para volver a instalarse.
- Utilizando la llave de hoja magnética, alinee hoyos en la hoja con pasador en la cabeza de corte y empuje firmemente hacia adentro la cuchilla instalada. Verifique que el filo de la cuchilla esté paralelo a la ranura de la cabeza de corte.
- Alinee barra del fijación de la hoja sobre la hoja entonces vuelva a apretar firmemente los pernos de cabeza cuadrada.
- Empuje y sujete a seguro de la cabeza de corte abajo y gira ventilador ligeramente para desbloquear la cabeza de corte.
- Gire la cabeza de cortador para conseguir acceso a la segundo hoja.
- Para tercera hoja, repita los pasos señalados arriba.
- Vuelva a capucha de polvo.

SOLUCIÓN DE PROBLEMAS

PROBLEMA	CAUSA POSIBLE	SOLUCIÓN
Redondeo de aristas (despresiones en los extremos de la pieza)	Cuchillas desafiladas Se metieron las tablas en fila punta con punta de forma incorrecta No está montada firmemente la unidad	Reemplace o voltee las cuchillas de corte. Empuje las piezas en fila punta con punta a medida que las introduce en el cepillo. Apriete firmemente los pernos tirafondos.
Hay fibras desgarradas	Las cuchillas están ajustadas a demasiada profundidad La pieza está avanzándose a contrahilo Cuchillas desafiladas	Disminuya la profundidad de corte. Introduzca primero el otro extremo de la tabla. Reemplace o voltee las cuchillas de corte.
Fibras deshilachadas o ásperas	La madera tiene un alto contenido de humedad Cuchillas desafiladas Las cuchillas están ajustadas a demasiada profundidad Velocidad de avance incorrecta	Seque la madera antes de cepillarla. Reemplace o voltee las cuchillas de corte. Disminuya la profundidad de corte. Verifique que esté correcto el suministro de corriente. Revise el cordón y la clavija para ver si están dañadas. Revise el estado de las escobillas del motor.
Profundidad de corte desigual	El conjunto de la cabeza de corte no está nivelada con la superficie de la mesa del cepillo Es inestable la presión de los resortes de los rodillos Los rodillos de avance muestran un desgaste desigual	Llame la unidad a servicio a un centro de servicio autorizado. Llame la unidad a servicio a un centro de servicio autorizado. Lleve la unidad a servicio a un establecimiento de servicio autorizado.
El espesor de la tabla no coincide con el indicador de la escala de profundidad	Está ajustada de forma incorrecta la escala de profundidad Está sucia la mesa de cepillado	Ajuste la escala de profundidad. Limpie y encere la mesa de cepillado.
Se dificulta ajustar la altura de la cabeza de corte	Está sucio el husillo Está gastada la cadena	Limpie y lubrique el husillo. Llame la unidad a servicio a un centro de servicio autorizado.
No enciende	No está conectado Se quemó el circuito Falla del motor Hay un alambre suelto Mal funcionamiento del interruptor Motor se sobrecarga	Revise el suministro de corriente. Reemplace el fusible, restablezca el disyuntor o llame a un electricista. Lleve la unidad a servicio a un establecimiento de servicio autorizado. Lleve la unidad a servicio a un centro de servicio autorizado. Lleve la unidad a servicio a un establecimiento de servicio autorizado. Appuyez le bouton de réenclenchement
Se interrumpió el funcionamiento	Está sobrecargada la unidad Está sobrecargado el circuito	Reduzca la carga. Conecte la unidad en un circuito separado de otros aparatos o motores, o conéctela a un circuito con suficiente amperaje nominal.
La cabeza del corte no bajará para cepillar material	REPEAT-A-CUT™ que pone demasiado alto	REPEAT-A-CUT™ en que pone a 1/8 pulg.

GARANTÍA

HERRAMIENTAS ELÉCTRICAS DE MANO Y ESTACIONARIAS RIDGID® GARANTÍA DE SERVICIO LIMITADA DE TRES AÑOS

Debe presentarse prueba de la compra al solicitar servicio al amparo de la garantía.

Se limita a las herramientas de mano y estacionarias RIDGID® adquiridas a partir del 1 de febrero de 2004. Este producto está manufacturado por One World Technologies, Inc. La licencia de uso de la marca comercial es otorgada por RIDGID®, Inc. Toda comunicación en relación con la garantía debe dirigirse a One World Technologies, Inc., a la atención de: Servicio Técnico de Herramientas Eléctricas de Mano y Estacionarias RIDGID®, por el (línea gratuita) 1-866-539-1710.

POLÍTICA DE GARANTÍA DE SATISFACCIÓN DE 90 DÍAS

Durante los primeros 90 días a partir de la fecha de compra, si no está satisfecho con el desempeño de esta herramienta de mano o estacionaria RIDGID® por cualquier razón, puede devolverla al establecimiento donde la adquirió, donde se le proporcionará un reembolso total o un intercambio. Para recibir una herramienta de reemplazo, debe presentar documentación de prueba de la compra, y devolver el equipo original empaquetado con el producto original. La herramienta de reemplazo queda cubierta por la garantía limitada por el resto del período de garantía de servicio de 3 AÑOS.

LO QUE ESTÁ CUBIERTO EN LA GARANTÍA DE SERVICIO LIMITADA DE TRES AÑOS GARANTÍA DE SERVICIO LIMITADA

Esta garantía de las herramientas de mano y estacionarias RIDGID® cubre todos los defectos en materiales y mano de obra, así como piezas desgastables como escobillas, portabrocas, motores, interruptores, cordones eléctricos, engranajes e incluso las pilas inalámbricas de esta herramienta RIDGID® por tres años a partir de la fecha de compra de la herramienta. Las garantías de otros productos RIDGID® pueden ser diferentes.

FORMA DE OBTENER SERVICIO

Para obtener servicio para esta herramienta RIDGID®, debe devolverla, ya sea con el flete pagado por anticipado, o llevarla a un centro de servicio autorizado para herramientas eléctricas de mano y estacionarias de la marca RIDGID®. Puede obtener información sobre la ubicación del centro de servicio autorizado más cercano llamando al 1-866-539-1710 (línea gratuita) o dirigiéndose al sitio Web de RIDGID®, en www.ridgid.com. Al solicitar servicio al amparo de la garantía, debe presentar el recibo de venta fechado original. El centro de servicio autorizado reparará toda mano de obra deficiente del producto, y reparará o reemplazará cualquier pieza amparada por la garantía, a nuestra exclusiva discreción, sin ningún costo para el consumidor.

LO QUE NO ESTÁ CUBIERTO

Esta garantía se ofrece exclusivamente al comprador original de venta minorista y es intransferible. Esta garantía sólo cubre los defectos que surjan durante el uso normal de la herramienta y no cubre ningún malfuncionamiento, falla o defecto producido por el mal trato, abuso, negligencia, alteración, modificación o reparación efectuada por terceros diferentes de los centros de servicio autorizados de herramientas eléctricas de mano y estacionarias RIDGID®. Los accesorios de consumo suministrados con la herramienta, p. ej., hojas, brocas, papel de lija, etc., no están cubiertos RIDGID®, INC. Y ONE WORLD TECHNOLOGIES, INC. NO OFRECEN NINGUNA GARANTÍA, DECLARACIÓN O PROMESA EN RELACIÓN CON LA CALIDAD O EL DESEMPEÑO DE SUS HERRAMIENTAS ELÉCTRICAS MÁS QUE LAS SEÑALADAS ESPECÍFICAMENTE EN ESTA GARANTÍA.

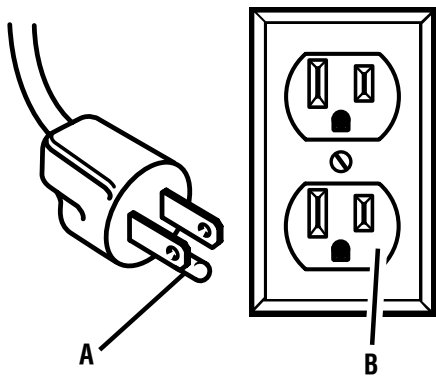
LIMITACIONES ADICIONALES

Hasta donde lo permiten las leyes pertinentes, se desconoce toda garantía implícita, incluidas las garantías de COMERCIALIZACIÓN O IDONEIDAD PARA UN USO EN PARTICULAR. Toda garantía implícita, incluidas las garantías de comerciabilidad o idoneidad para un uso en particular, que no pueda desconocerse según las leyes estatales, está limitada a tres años a partir de la fecha de compra. One World Technologies, Inc. y RIDGID®, Inc. no son responsables de daños directos, indirectos, incidentales o consecuentes. Algunos estados no permiten limitaciones en cuanto al período de vigencia de una garantía implícita o no permiten exclusiones o limitaciones de daños incidentales o consecuentes, por lo tanto es posible que esta limitación no se aplique en su caso. Esta garantía le confiere derechos legales específicos, y es posible que usted goce de otros derechos, los cuales pueden variar de un estado a otro.

One World Technologies, Inc.

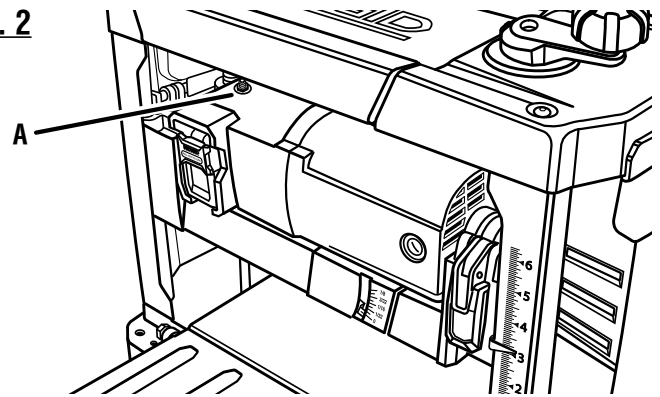
P.O. Box 1427
Anderson, SC 29622

Fig. 1



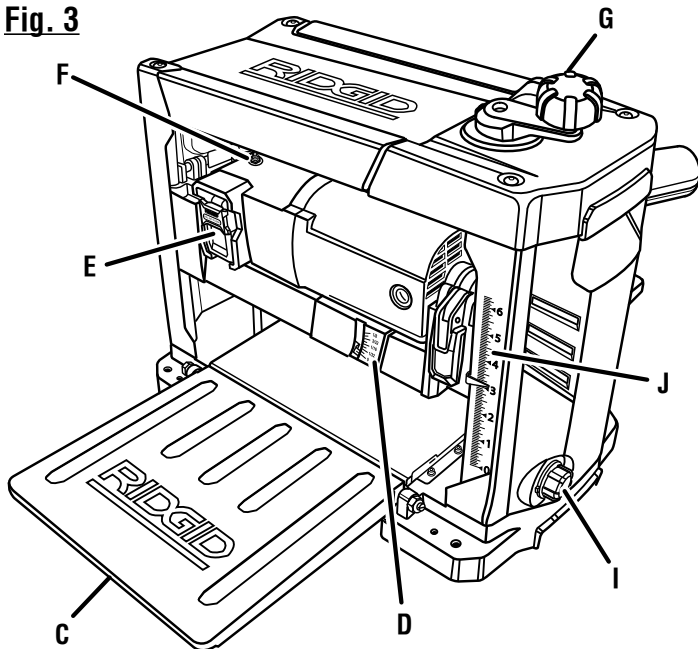
- A - Grounding pin (broche de mise à la terre, patilla de conexión a tierra)
- B - 120V grounded outlet (prise secteur 120 V mise à la terre, toma de corriente con tierra, de 120 V)

Fig. 2



- A - Overload protector/reset button (bouton de réarmement/protecteur de surchauffe, botón de restablecimiento/protecteur contra sobrecargas)

Fig. 3



- A - Cord storage (compartiment de rangement pour le cordon, compartimiento para el cordón)
- B - Tool storage (rangement de outil, almacenamiento de herramienta)
- C - Infeed table extension (d'entrée de table support, mesa de avance de entrada)
- D - IND-I-CUT™ depth gauge (IND-I-CUT™ depth jauge de profondeur, IND-I-CUT™ depth calibre de profundidad)
- E - Switch assembly and switch key (ensemble de interrupteur et clé, conjunto de interruptor y llave del interruptor)
- F - Overload protector/reset button (bouton de réarmement/protecteur de surchauffe, botón de restablecimiento/protecteur contra sobrecargas)
- G - Depth adjustment crank handle (manivelle de réglage d'ajustement de profondeur, mango de la manivela de ajuste de profundidad)
- H - Outfeed table extension (rallonge de table de support de sortie, mesa de avance de salida)
- I - REPEAT-A-CUT™ (REPEAT-A-CUT™, REPEAT-A-CUT™)
- J - Thickness scale (échelle d'épaisseur, escala de espesor)

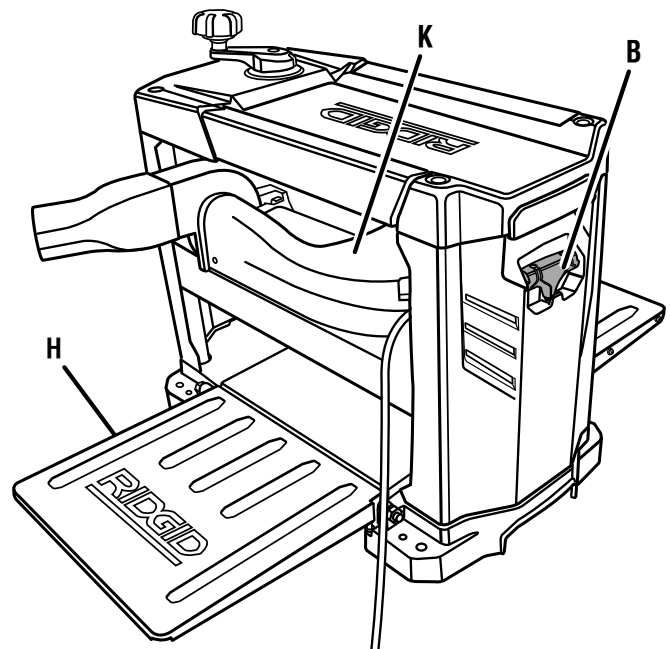
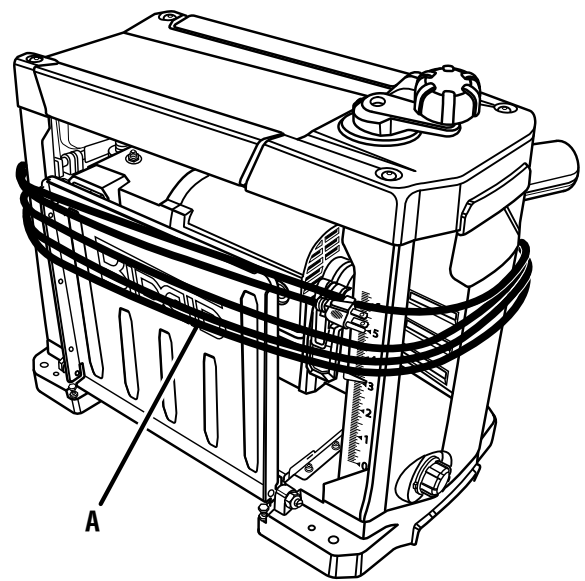
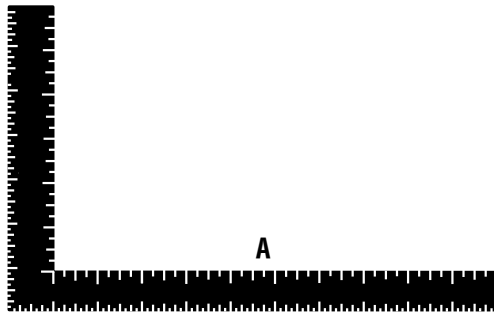


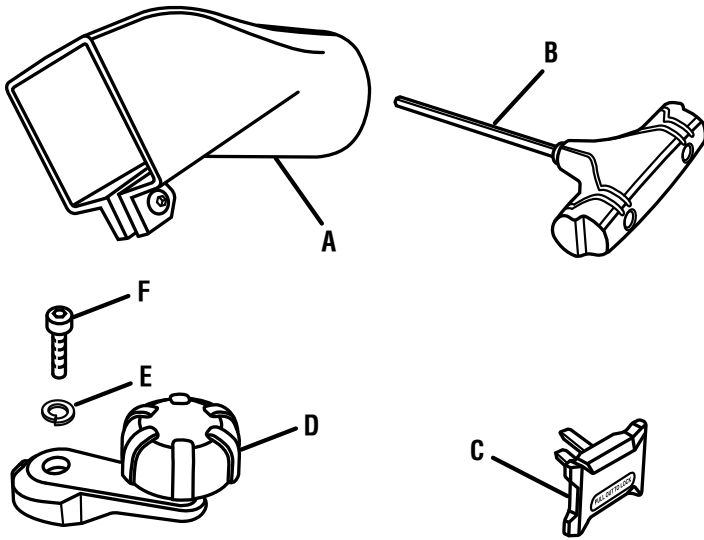
Fig. 4

**TOOLS NEEDED
OUTILS NÉCESSAIRES
HERRAMIENTAS NECESARIAS**



A - Framing square (équerre de charpentier, escuadra de carpintero)

Fig. 5



- A - Dust guide (guide à poussière, guía del polvo)
- B - Magnetic blade wrench (cle à lame magnétique, llave magnética de hoja)
- C - Switch key (clé d'interrupteur, llave del interruptor)
- D - Depth adjustment crank handle (manivelle de réglage d'ajustement de profondeur, mango de la manivela de ajuste de profundidad)
- E - Lock washer (rondelle de blocage, arandela de seguridad)
- F - Hex head screw (vis à e hex, tornillo de cabeza hexagonal)

Fig. 6

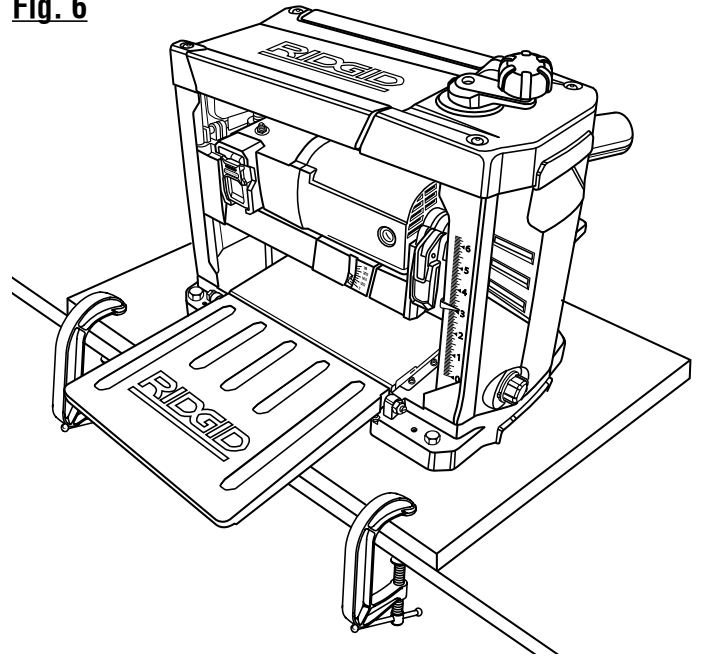
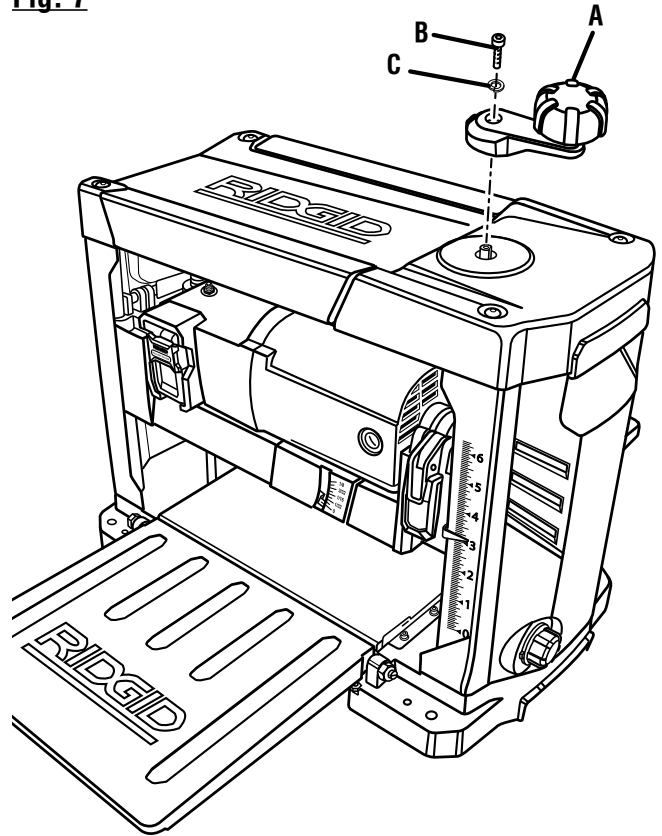
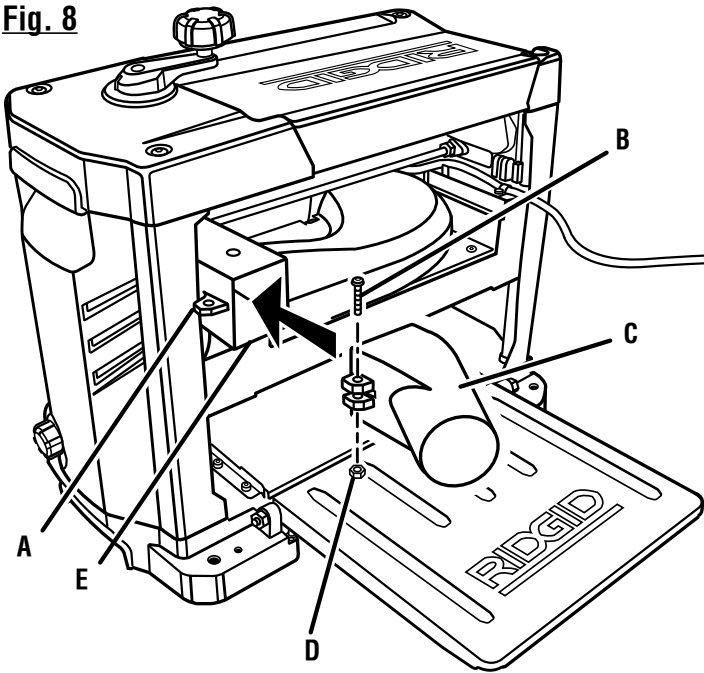


Fig. 7



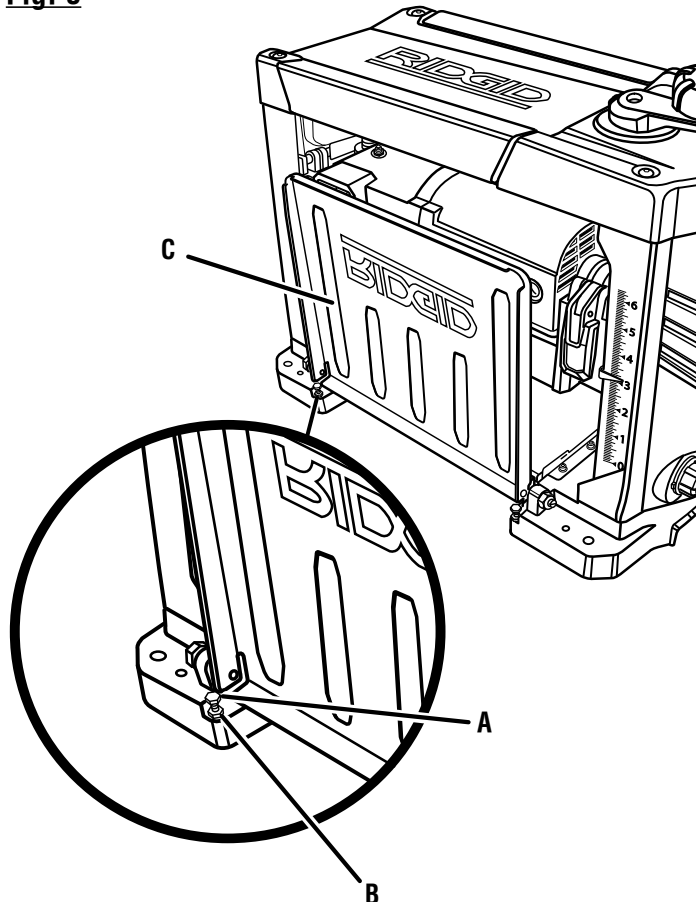
- A - Depth adjustment crank handle (manivelle de réglage d'ajustement de profondeur, mango de la manivela de ajuste de profundidad)
- B - Hex socket screw (vis à tête creuse, tornillo de hexagonal hueca)
- C - Lock washer (rondelle de blocage, arandela de seguridad)

Fig. 8



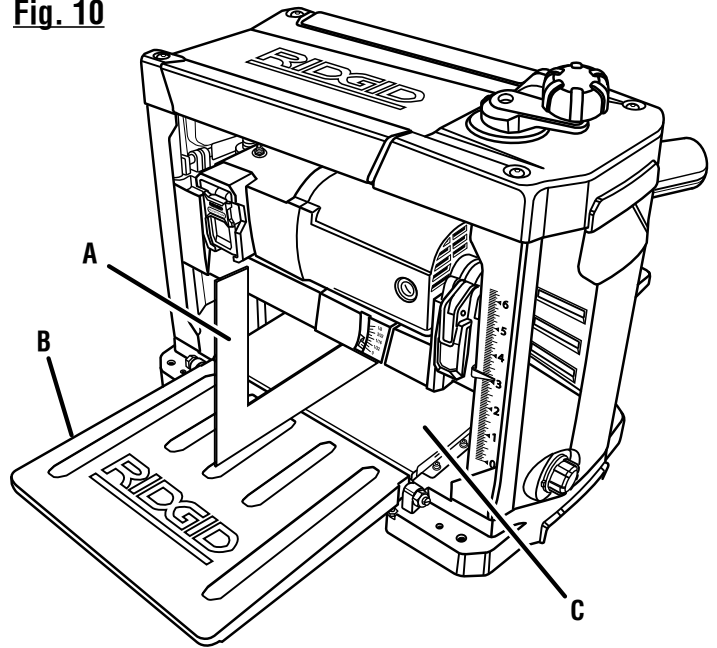
- A - Tab (ergot, lengüeta)
- B - Hex socket screw (vis à tête creuse, tornillo de hexagonal hueca)
- C - Dust guide (guide à poussière, guía del polvo)
- D - Nut (écrou, tuerca)
- E - Exhaust port (orifice d'évacuation, orificio de escape)

Fig. 9



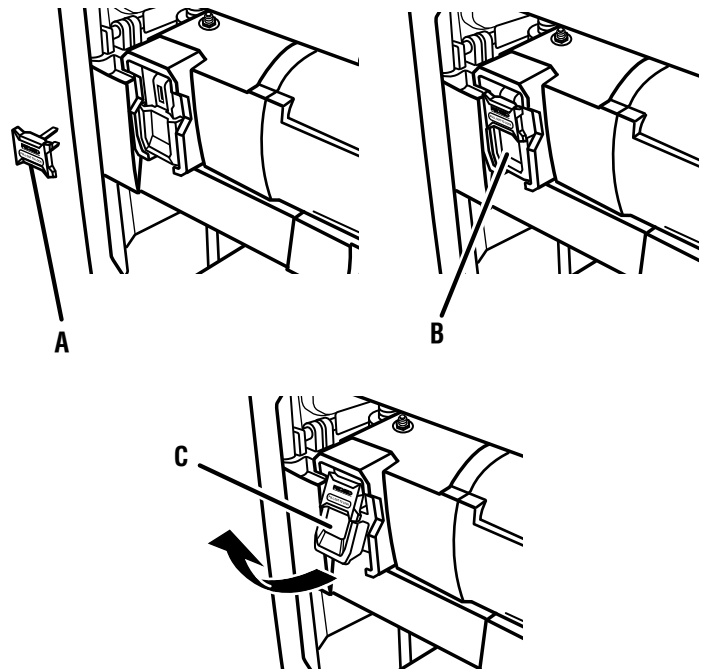
- A - Stop screw (vis de butée, tornillo de tope)
- B - Lock nut (contre-écrou, contratuerca)
- C - Table extension (rallonge de table, extensión de la mesa)

Fig. 10



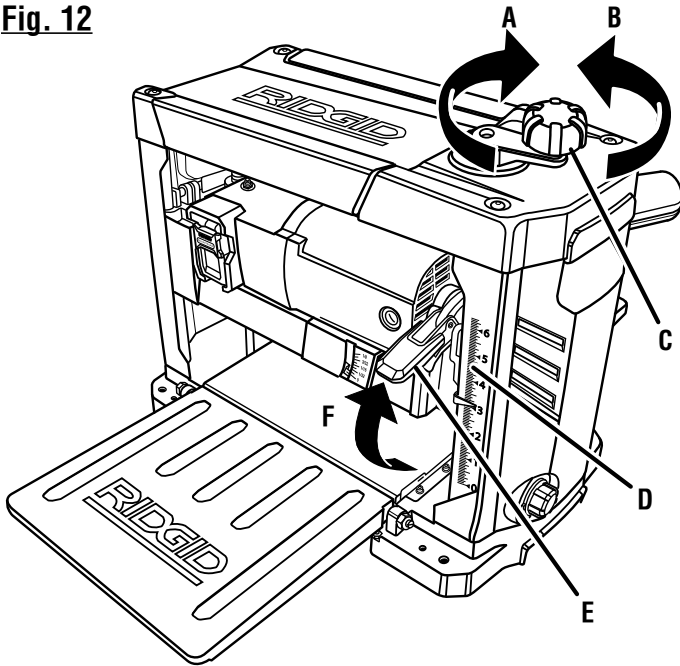
- A - Framing square (équerre de charpentier, escuadra de carpintero)
- B - Table extension (rallonge de table, extensión de la mesa)
- C - Planer table (table de raboteuse, mesa del cepillo)

Fig. 11



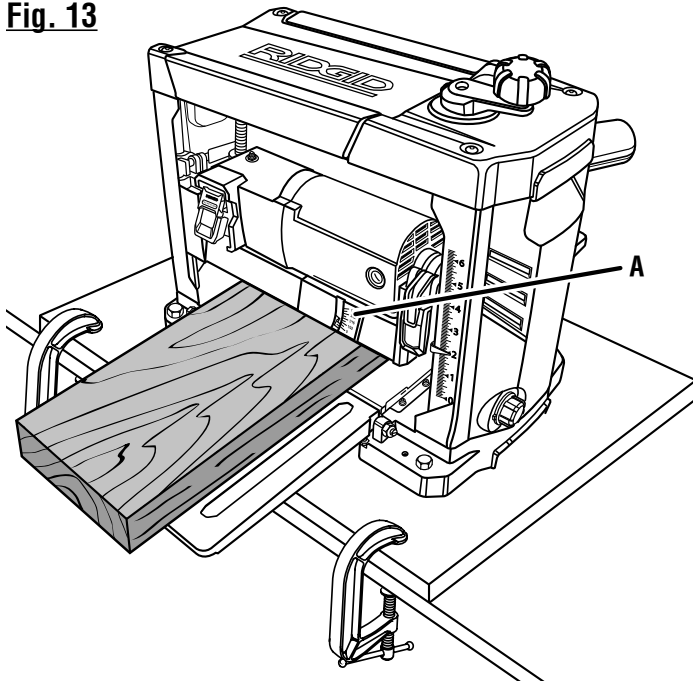
- A - Switch key (clé de commutateur, llave del interruptor)
- B - Off (arrêt, apagado)
- C - On (marche, encendido)

Fig. 12



- A - Clockwise to raise (droite pour relevez, derecha para levante)
- B - Counterclockwise to lower (gauche pour abaisser, izquierda para bajar)
- C - Depth adjustment crank handle (manivelle de réglage d'ajustement de profondeur, mango de la manivela de ajuste de profundidad)
- D - Thickness scale (échelle d'épaisseur, escala de espesor)
- E - SURE-CUT™ carriage lock (chariot verrouillable SURE-CUT™, seguro de la cabeza del carro SURE-CUT™)
- F - Lift to unlock (levez pour deverrouiller, levante para desasegurar)

Fig. 13



- A - IND-I-CUT™ depth gauge (IND-I-CUT™ depth jauge de profondeur, IND-I-CUT™ depth calibre de profundidad)

Fig. 14

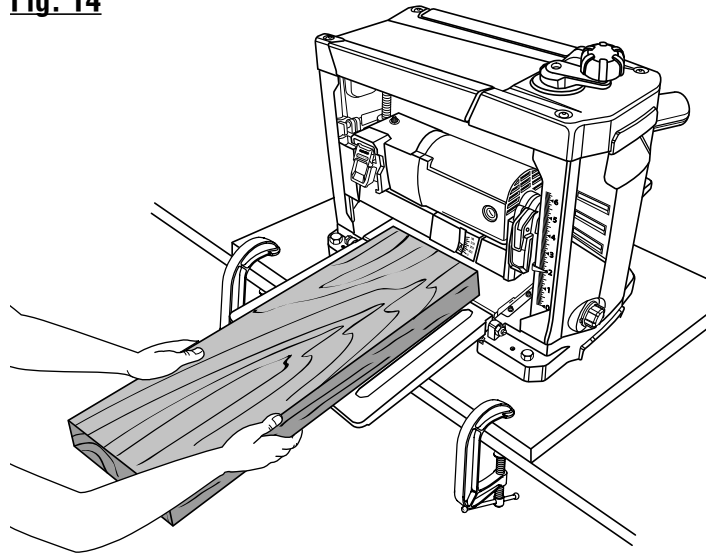
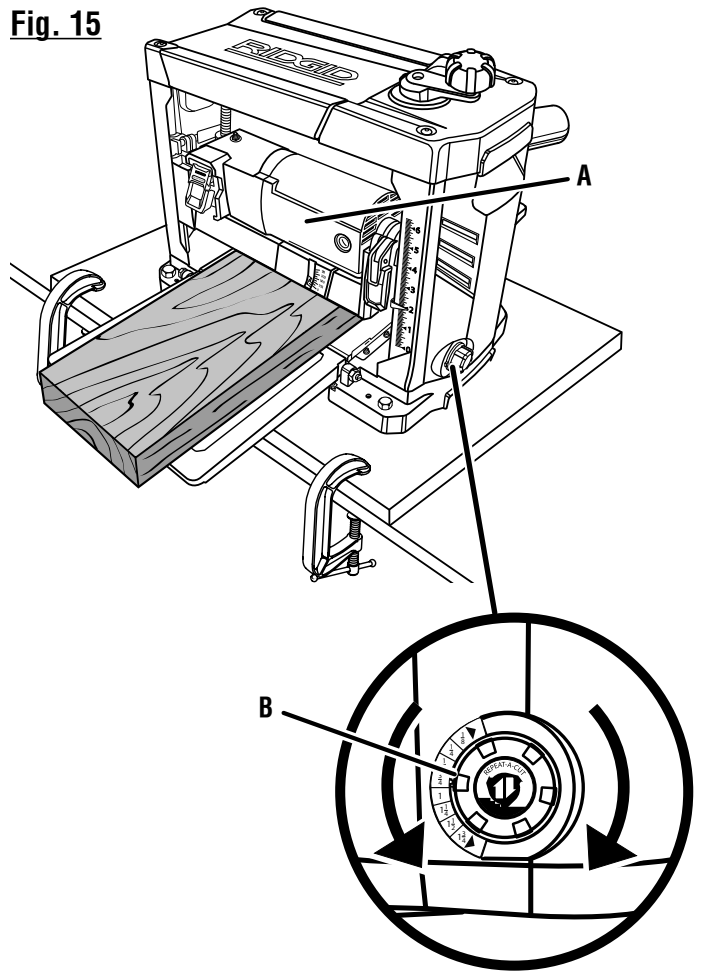
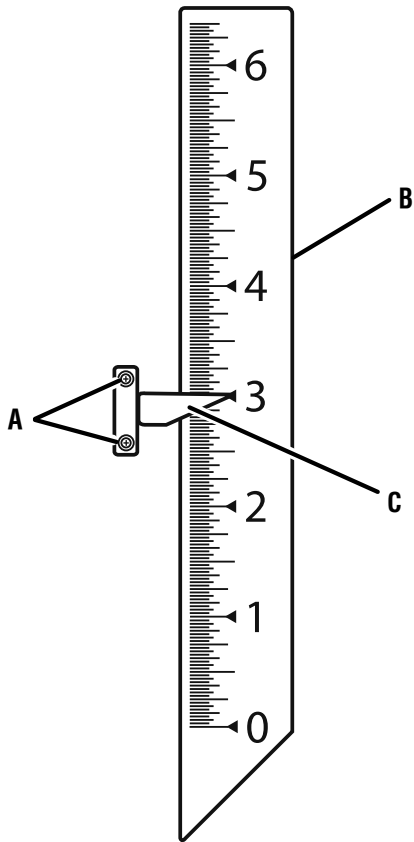


Fig. 15



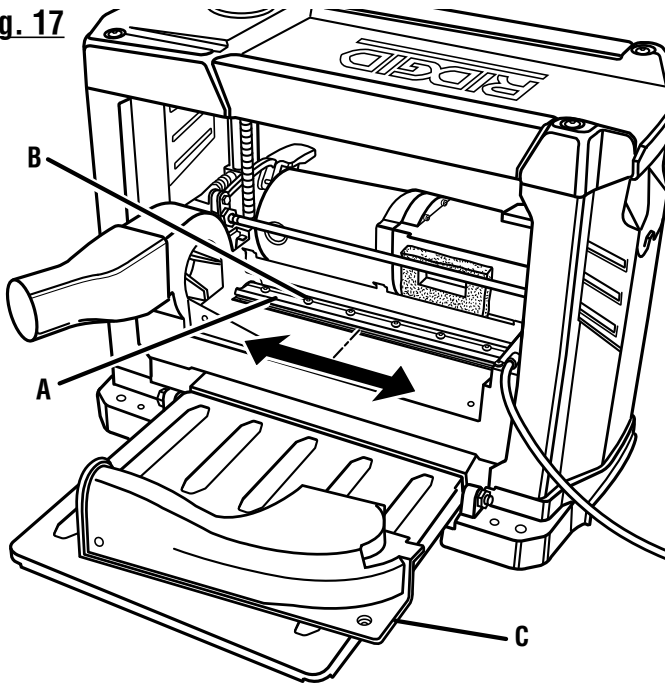
- A - Cutterhead assembly (ensemble du porte-lames, tornillo de mariposa)
- B - REPEAT-A-CUT™ (REPEAT-A-CUT™, REPEAT-A-CUT™)

Fig. 16



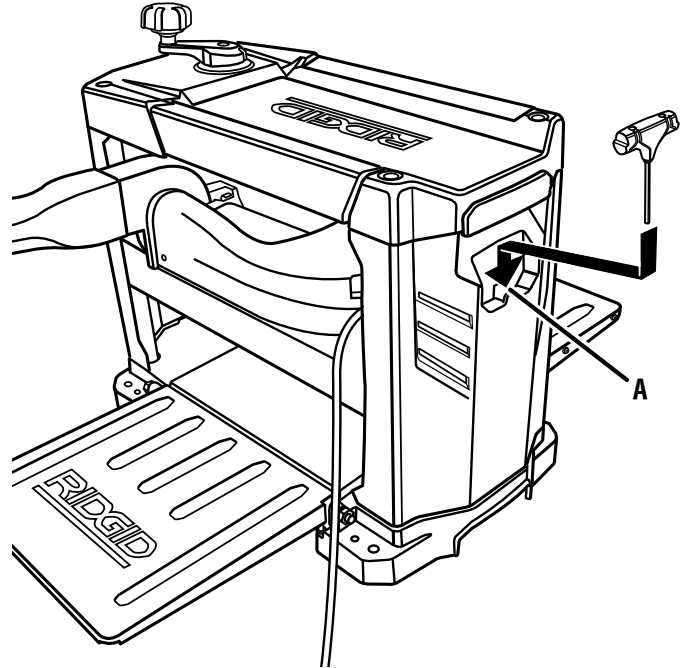
- A - Scale indicator screws (vis de l'indicateur d'échelle, tornillos del indicador de la escala)
- B - Thickness scale (échelle d'épaisseur, escala de espesor)
- C - Scale indicator (indicateur d'échelle, indicador de la escala)

Fig. 17



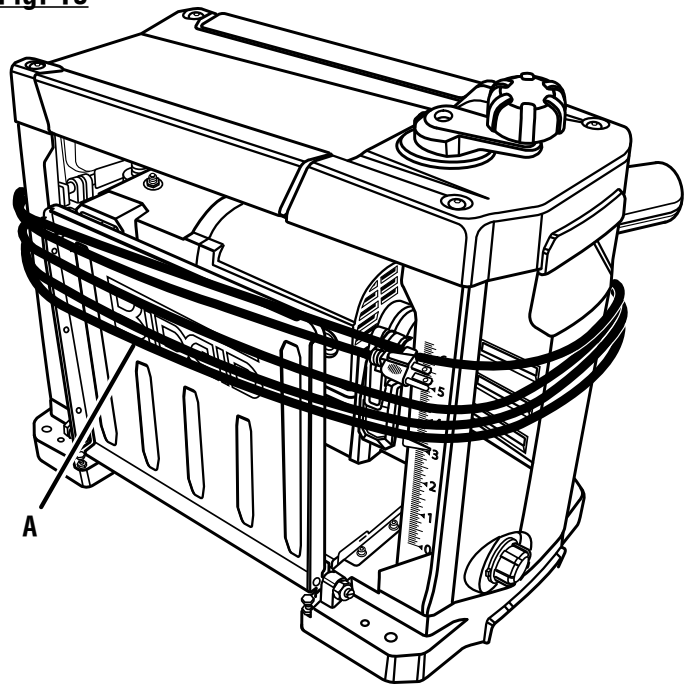
- A - Blade (lames, cuchillas)
- B - Blade locking screws (vis de lame, tornillos de cabeza cuadrada)
- C - Dust hood (capot de poussière, capucha de polvo)

Fig. 18



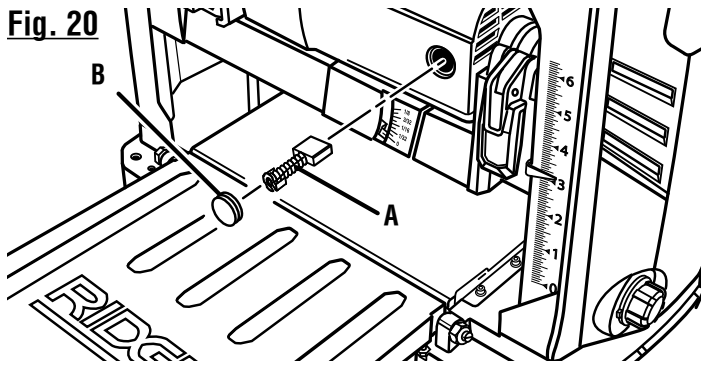
- A - Tool storage (rangement de outil, almacenamiento de herramientas)

Fig. 19



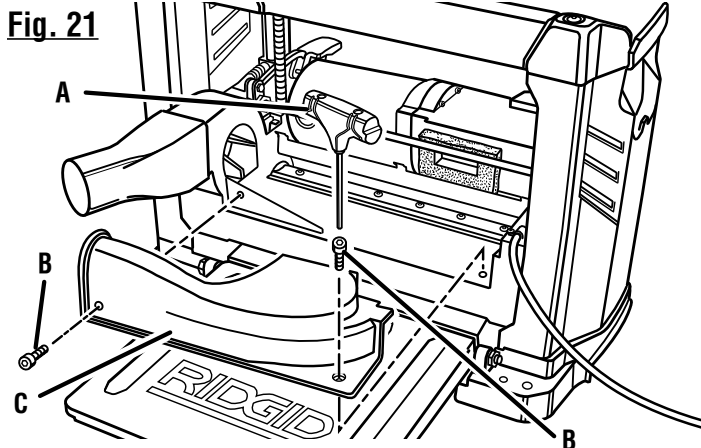
- A - Cord storage (compartiment de rangement pour le cordon, compartimiento para el cordón)

Fig. 20



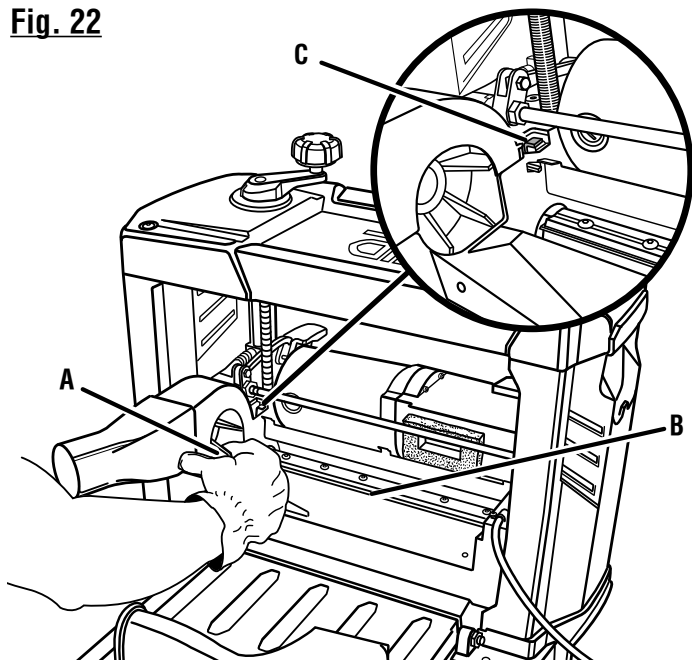
- A - Brush (balai, escobilla)
- B - Brush cap (couverture de balai, tapa de escobilla)

Fig. 21



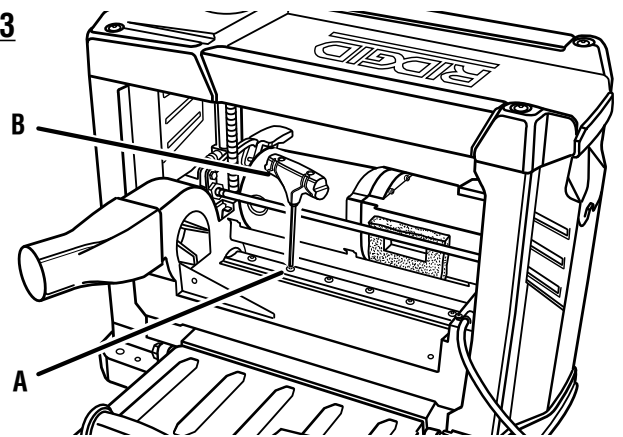
- A - Magnetic blade wrench (cle à lame magnétique, llave magnética de hoja)
- B - Dust hood screws (vis capot de poussière, tornillos de capucha de polvo)
- C - Dust hood (capot de poussière, capucha de polvo)

Fig. 22



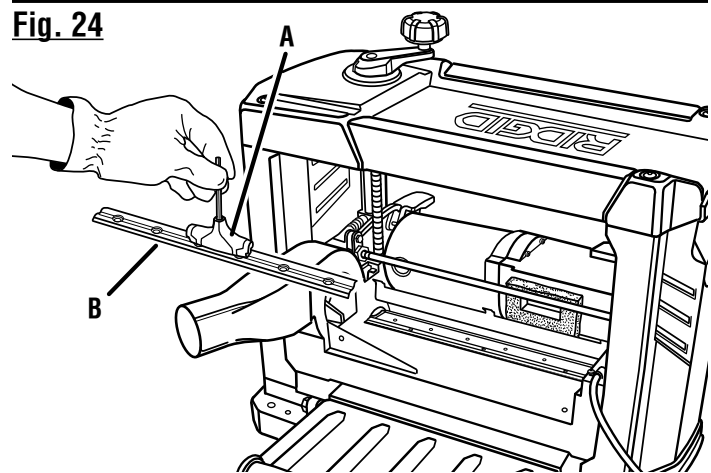
- A - Dust fan exhaust (poussière le ventilateur d'échappement, ventilador de polvo)
- B - Cutter head (tête de coupe, cabeza de corte)
- C - Cutter head lock (verrou de la tête de coupe, seguro de la cabeza de corte)

Fig. 23



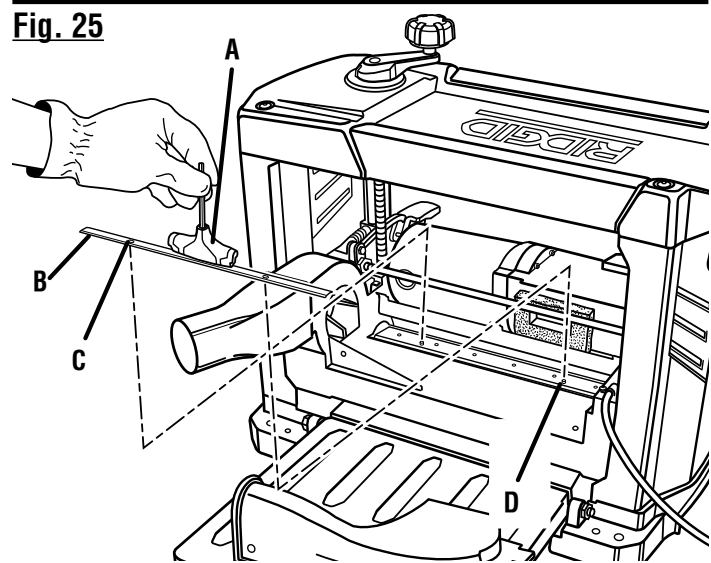
- A - Blade locking screws (vis de blocage de lame, pernos de cabeza cuadrada)
- B - Magnetic blade wrench (cle à lame magnétique, llave magnética de hoja)

Fig. 24



- A - Magnetic blade wrench (cle à lame magnétique, llave magnética de hoja)
- B - Blade lock bar (barre d'arrêt de la lame, barra del fijación de la hoja)

Fig. 25



- A - Magnetic blade wrench (cle à lame magnétique, llave magnética de hoja)
- B - Blade (lame, cuchilla)
- C - Hole (trou, agujero)
- D - Pin (goupille, pasador)

OPERATOR'S MANUAL

MANUEL D'UTILISATION

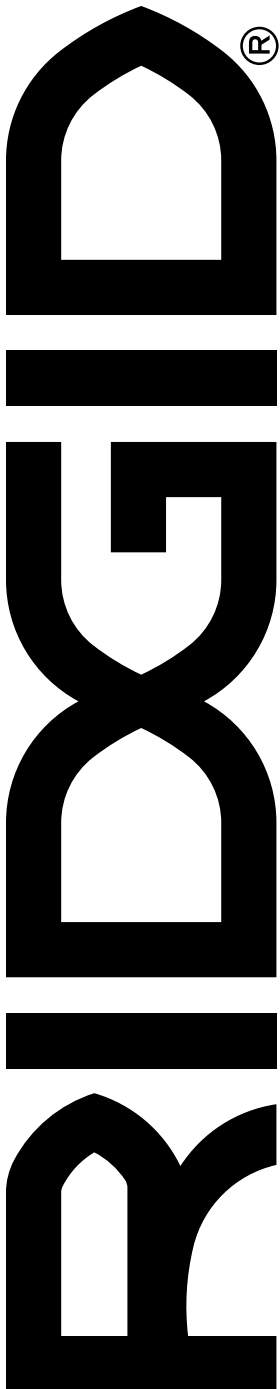
MANUAL DEL OPERADOR

13 in. THICKNESS PLANER

PLANEUSE À RABOTAGE DE 330 mm (13 po)

CEPILLO REGRUESADOR DE 330 mm (13 pulg.)

R4331



Customer Service Information:

For parts or service, do not return this product to the store. Contact your nearest RIDGID® authorized service center. Be sure to provide all relevant information when you call or visit. For the location of the authorized service center nearest you, please call 1-866-539-1710 or visit us online at www.RIDGID.com.

MODEL NO. _____ SERIAL NO. _____

Service après-vente :

Pour acheter des pièces ou pour un dépannage, ne pas retourner ce produit au magasin. Contacter le centre de réparations RIDGID® agréé le plus proche. Veiller à fournir toutes les informations pertinentes lors de tout appel téléphonique ou visite. Pour obtenir l'adresse du centre de réparations agréé le plus proche, téléphoner au 1-866-539-1710 ou visiter notre site www.RIDGID.com.

NO. DE MODÈLE _____ NO. DE SÉRIE _____

Información sobre servicio al consumidor:

Para piezas de repuesto o servicio, no devuelva este producto a la tienda. Comuníquese con el centro de servicio autorizado de productos RIDGID® de su preferencia. Asegúrese de proporcionar todos los datos pertinentes al llamar o al presentarse personalmente. Para obtener información sobre el centro de servicio autorizado más cercano a usted, le suplicamos llamar al 1-866-539-1710 o visitar nuestro sitio en la red mundial, en la dirección www.RIDGID.com.

NÚM. DE MODELO _____ NÚM. DE SERIE _____

ONE WORLD TECHNOLOGIES, INC.

P.O. Box 1427
Anderson, SC 29622 USA
1-866-539-1710 ■ www.RIDGID.com

RIDGID is a registered trademark of RIDGID, Inc., used under license.