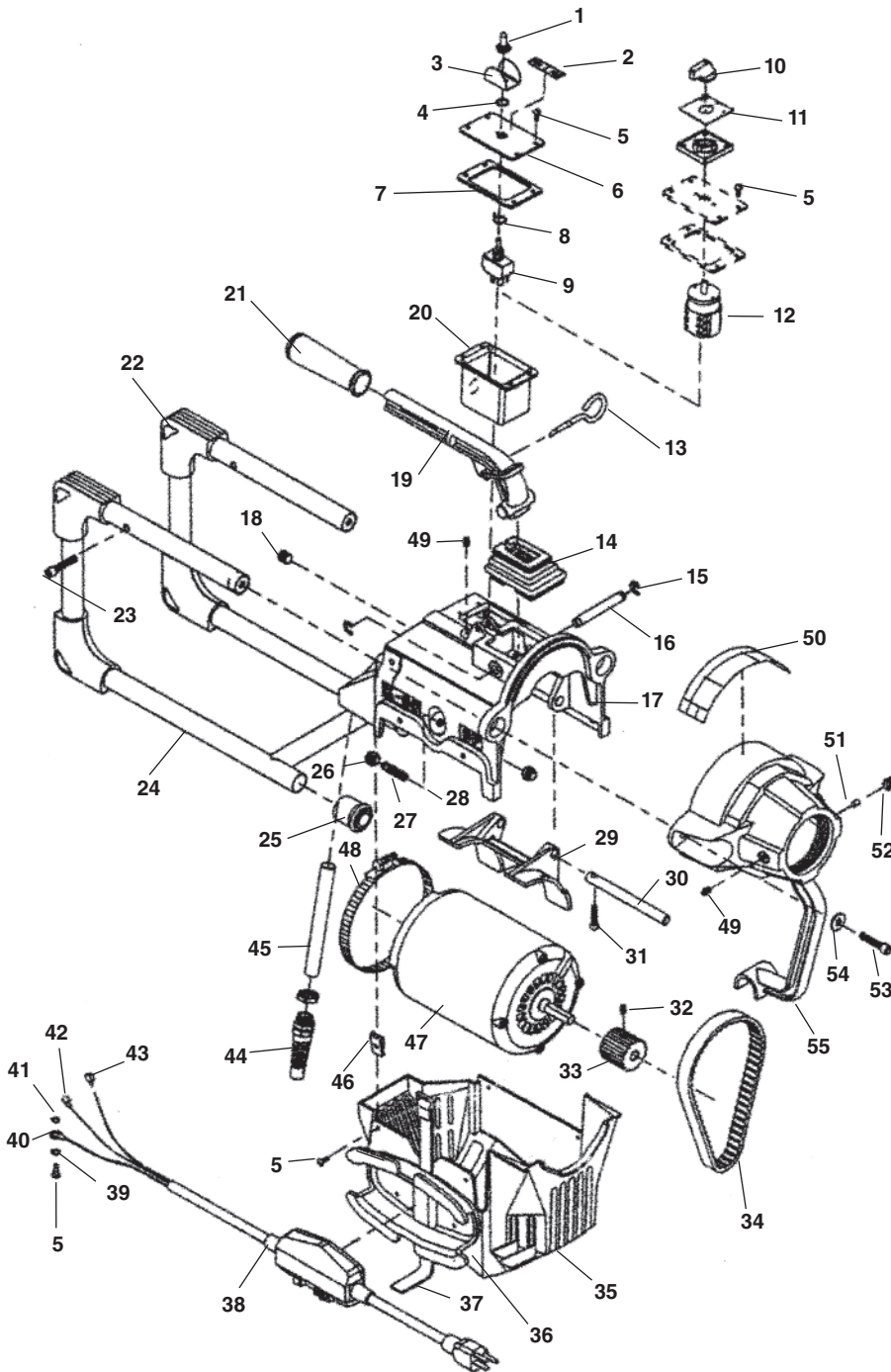


Main Body Components

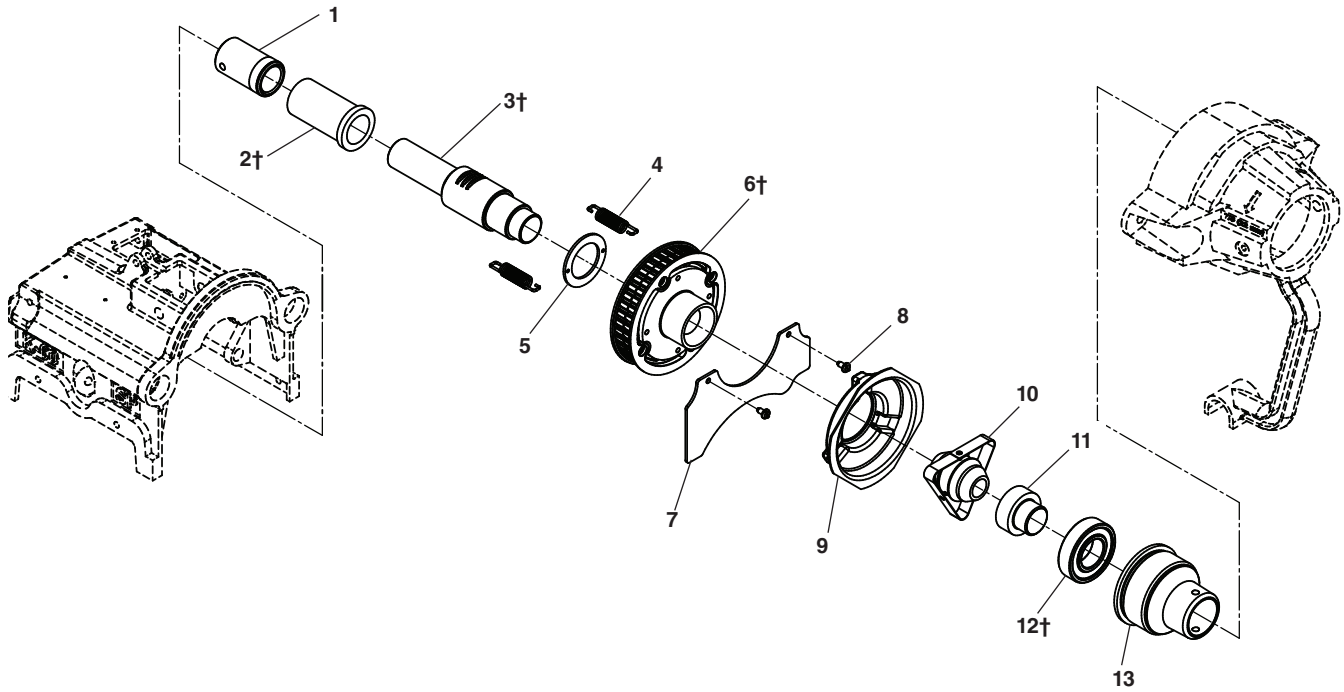
**NOTE: Order parts by Catalog Number only.
DO NOT order by Reference Number.**



Ref. No.	Catalog No.	Description
1	23507	Rubber Boot
2	23687	FOR/OFF/REV Decal
3	61490	Switch Guard
4	23512	Rubber Washer
5	93585	10 - 24 x 1/2" Screw (9)
6	65762	Switch Box Cap
7	66887	Gasket
8	66892	Locking Ring
9	23612	Toggle Switch
10	61397	Switch Knob (Export)
11	57517	FOR/OFF/REV Switch Plate (Export)
12	54157	Switch (Export)
13	59225	Pin Key
14	65852	Rubber Boot
15	65742	Retaining Rings (2)
16	65737	Pinion Shaft
17	65732	Main Housing Assembly
18	65867	Plastic Socket Set Screw
19	65747	Handle Assembly w/Grip
20	65757	Switch Box
21	60827	Handle Grip
22	65772	Frame Bumpers (4)
23	79685	5/16" - 18 x 1 1/2" Socket Screw (4)
24	65767	Frame Assembly w/Bumpers
25	37962	Rubber Foot (2)
26	83545	3/8" - 16 Hex Jam Nut
27	65782	3/8" Stud
28	65787	Nylon Acorn Nut
29	65792	Motor Mounting Bracket
30	65797	Motor Mounting Pin
31	59935	1/4" - 20 x 1" Socket Screw
32	87580	1/2" - 20 Set Screw
33	65807	Motor Pulley
34	65802	Belt
35	65822	Motor Shroud w/Cord Wrap (Inc. Ref No. 46)
36	66907	Cord Wrap w/Rivets
37	48007	Cinching Strap
38	50497	Replacement GFI Cord
—	65842	Replacement GFI Cord (Europe)
—	66882	Line Cord (Export)
—	66757	Accessory GFCI (Europe)
39	61310	Star Washer
40	59955	Ring Terminal
41	87970	#10 - 24 Nut
42	59007	Terminal
43	59002	Splicer
44	65817	Strain Relief w/Nut
45	59342	Insulator Tube
46	65857	Clips (4)
47	65832	Motor - 115V/60Hz
—	65837	Motor - 230V/50Hz (Europe)
—	66872	Motor - 100V (Japan)
48	65812	Bracket Strap (2)
49	65657	Grease Fitting (2)
50	65667	Warning Label
—	65862	Warning Label (Export)
51	65662	Nylon Plug
52	42037	1/2" - 13 x 1/2" Screw
53	79685	1/2" x 1 1/2" Socket Screw (2)
54	60065R	Washer (2)
55	65652	Jaw Housing Assembly (Inc. Ref. #'s 49, 51, 52)
56	67422	Thermal Overload f/Motor) Not Shown)

† - Apply Loctite® #411 to Frame Bumper (Ref. #22)

Main Drive Components



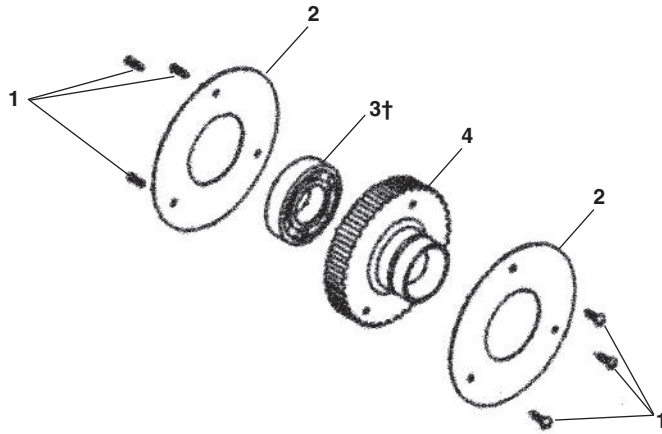
**NOTE: Order parts by Catalog Number only.
DO NOT order by Reference Number.**

Ref. No.	Catalog No.	Description	Ref. No.	Catalog No.	Description
1	65727	Steel Insert	8	61110	10 - 32 x 3/8" Screw (2)
2†	65722	Sleeve Bearing	9	65692	Jawset Cover
3†	65712	Shaft w/Rack	10	65687	Clutch Jaw
4	65717	Extension Spring (2)	11	65682	Idler Cone
5	65707	Spring Plate	12†	65677	Bearing (2)
6†	65702	Pulley Assembly	13	65672	Adjustment Cap
7	65697	Baffle			

† – Apply Loctite® #242 to O.D of Sleeve Bearing (Ref. #2).

† – Apply Loctite® #242 to I.D. of Bearing Inside Steel Hub/Pulley (Ref. #6) prior to assembly into Shaft w/Rack (Ref. #3), and Idler Cone (Ref. #12).

Old Pulley Assembly

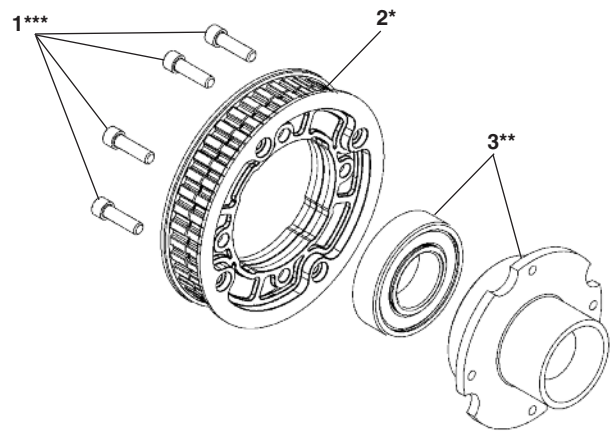


NOTE: Order parts by Catalog Number only. DO NOT order by Reference Number.

Ref. No.	Catalog No.	Description
1	61110	10 - 32 x 3/8" Screw (6)
2	66877	Pulley Flange (2)
3†	65677	Bearing (2)
4	66902	Pulley

† – Apply Loctite® #242 to I.D. of Bearing (Ref. #3) prior to assembly into Shaft w/Rack (Ref. #3)

New Pulley Assembly



NOTE: Order parts by Catalog Number only. DO NOT order by Reference Number.

Ref. No.	Catalog No.	Description
	65702	Pulley Assembly
1	60910	Screw, 1/4-20 x 1/2 SOC (4)
2*	71278	Pulley
3**	71283	Steel Hub

* Uses 8-16 x .50 Plastite Screws (4)
 ** Steel Hub comes with bearing (65677) x 1 in place
 *** Apply Loctite® #242 to threads of screw (Ref. #1)