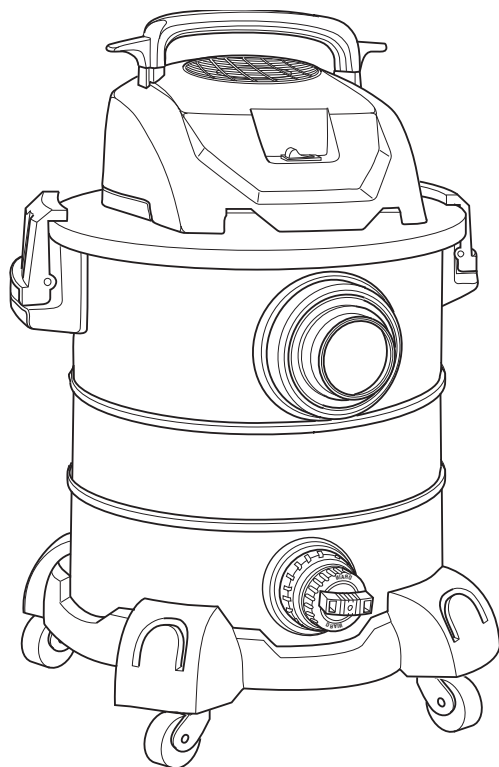


OWNER'S MANUAL

10 U.S. GALLON / 37 LITER
STAINLESS STEEL WET/DRY VAC

WD10500
WD10600



FOR QUESTIONS OR INFORMATION CONTACT US AT
1-800-4-RIDGID (1-800-474-3443) from the US and Canada
01-800-701-9811 from Mexico
www.RIDGIDvacs.com

⚠ WARNING:

To reduce the risk of injury, the user must read and understand the owner's manual before using this product.

Thank you for buying a RIDGID product.

• Español - página 17

SAVE THIS MANUAL FOR FUTURE REFERENCE

Table of Contents

Section	Page	Section	Page
Introduction	4	Emptying the Drum	9
Unpacking and Checking		Moving the Wet/Dry Vac	9
Carton Contents	4	Blowing Feature	10
Caster Assembly	5	Accessory Storage	10
Carry Handle Assembly	5	Maintenance	11-13
Wet/Dry Vac Assembly	6	Removal and Installation	
Operation	7-10	of the Qwik Lock Filter	11
Vacuuming Dry Materials	8	Repair Parts	14-15
Vacuuming Liquids	9	Warranty	16

IMPORTANT SAFETY INSTRUCTIONS

Safety is a combination of using common sense, staying alert, and knowing how your Wet/Dry Vacuum Cleaner ("Vac") works.

Safety Signal Words

▲ DANGER: Indicates a hazardous situation which, if not avoided, will result in death or serious injury.

▲ WARNING: Indicates a hazardous situation which, if not avoided, could result in death or serious injury.


▲ CAUTION: Indicates a hazardous situation which, if not avoided, could result in minor or moderate injury.

When using your Vac, always follow basic safety precautions including the following:

▲ WARNING

- To reduce the risk of fire, electric shock, or injury:

- Read and understand this manual and all labels on the Wet/Dry Vac before operating.
- Use only as described in this manual.
- Do not leave Vac running while unattended - you may fail to notice important signs indicating abnormal operation such as loss of suction, debris/liquid exiting exhaust, or abnormal motor noises. Immediately stop using Vac if you notice these signs.
- Do not leave Vac when plugged in. Unplug from outlet when not in use and before servicing.
- Sparks inside the motor can ignite flammable vapors or dust. To reduce the risk of fire or explosion, do not use near combustible liquids, gases, or dusts, such as gasoline or other fuels, lighter fluid, cleaners, oil-based paints, natural gas, coal dust, magnesium dust, grain dust, aluminum dust, or gun powder.
- Do not vacuum anything that is burning or smoking, such as cigarettes, matches, or hot ashes.
- Do not vacuum drywall dust, cold fireplace ash, or other fine dusts with standard filter. These may pass through the filter and be exhausted back into the air. Use a fine dust filter instead.
- To reduce the risk of inhaling toxic vapors, do not vacuum or use near toxic or hazardous materials.
- To reduce the risk of electric shock, do not expose to rain or allow liquid to enter motor compartment. Store indoors.
- This Wet/Dry Vac is not intended for use by persons (including children) with reduced physical, sensory, or mental capabilities, or lack of experience and knowledge, unless they have been given supervision or instruction concerning use of the appliance by a person responsible for their safety.
- Do not allow to be used as a toy. Close attention is necessary when used by or near children.
- Do not use with a torn filter or without filter installed except when vacuuming liquids as described in this manual. Dry debris ingested by the impeller may damage the motor or be exhausted into the air.
- Turn off Vac before unplugging.

- To reduce the risk of injury from accidental starting, unplug power cord before changing or cleaning filter.
 - Do not unplug by pulling on cord. To unplug, grasp the plug, not the cord.
 - Do not use with damaged cord, plug or other parts. If your Vac is not working as it should, has missing parts, has been dropped, damaged, left outdoors, or dropped into water, call customer service.
 - Do not pull or carry by cord, use cord as handle, close a door on cord, or pull cord around sharp edges or corners. Do not run Vac over cord. Keep cord away from heated surfaces.
 - Do not handle plug, switch, or the Vac with wet hands.
 - Use only extension cords that are rated for outdoor use. Extension cords in poor condition or too small in wire size can pose fire and shock hazards. To reduce the risk of these hazards, be sure the cord is in good condition and that liquid does not contact the connection. Do not use an extension cord with conductors smaller than 16 gauge (AWG). To reduce power loss, do not use an extension cord with conductors smaller than 14 AWG if the length is more than 50 ft. (15 m) or 12 AWG if longer than 100 ft. (45 m).
 - This Wet/Dry Vac is double-insulated, eliminating the need for a separate grounding system. Use only identical replacement parts. Read the instructions for Servicing Double-Insulated Wet/Dry Vacs before servicing.
 - Do not put any object into ventilation openings. Do not vacuum with any ventilation openings blocked; keep free of dust, lint, hair or anything that may reduce air flow.
 - Keep hair, loose clothing, fingers, and all parts of body away from openings and moving parts.
 - To reduce the risk of falls, use extra care when cleaning on stairs.
 - To reduce the risk of back injury or falls, do not lift a Vac that is heavy with liquid or debris. Partially empty by scooping debris or draining liquid.
 - To reduce the risk of personal injury or damage to Vac, use only RIDGID recommended accessories.
 - When using as a blower:
 - Direct air discharge only at work area.
 - Do not direct air at bystanders.
 - Keep children away when blowing.
 - Do not use blower for any job except blowing dirt and debris.
 - Do not use as a sprayer.
 - To reduce the risk of eye injury, wear safety eyewear. The operation of any utility Vac or blower can result in foreign objects being blown into the eyes, which can result in severe eye damage.
-
- ▲ CAUTION:**
- To reduce the risk of hearing damage, wear ear protectors when using for extended hours or in a noisy area.
 - For dusty operations, wear dust mask.
 - Static shocks are common when the relative humidity of the air is low. Vacuuming fine debris with your Vac can deposit static charge on the hose or Vac. To reduce the frequency of static shocks in your home or when using this Vac, add moisture to the air with a humidifier.
-
- Observe the following warnings that appear on the motor housing of your Vac:
- 

**DOUBLE INSULATED
GROUNDING NOT REQUIRED.
WHEN SERVICING USE ONLY
IDENTICAL REPLACEMENT PARTS.**
- ▲ WARNING: For your own safety, read and understand owner's manual. Do not run unattended. Do not pick up hot ashes, coals, toxic, flammable or other hazardous materials. Do not use around explosive liquids or vapors.**
- ▲ WARNING: To reduce the risk of electric shock - do not expose to rain - store indoors.**

SAVE THIS MANUAL

Introduction

This Wet/Dry Vac is intended for household use or for normal house-keeping purposes in hotels, offices, schools, hospitals and similar premises. It may be used for light vacuuming of wet or dry media and may be used as a blower. The light weight design allows usage for most small household vacuuming chores.

Familiarize yourself with the following product and features and read the entire owner's manual for specific usage of your new Wet/Dry Vac.

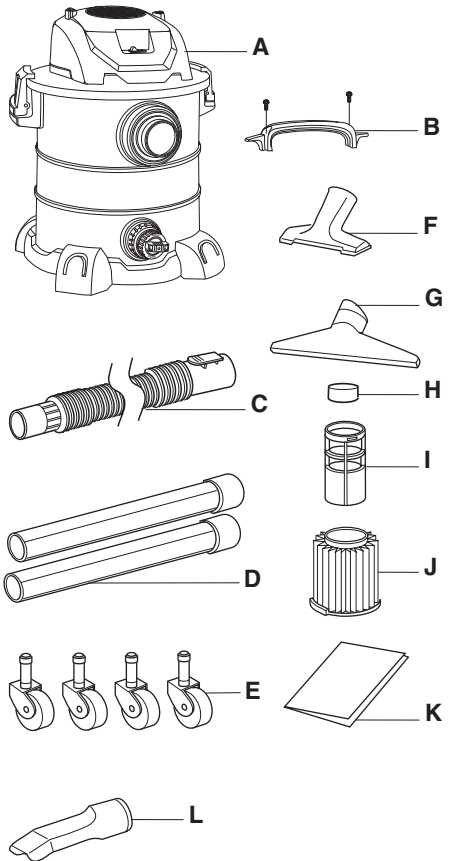
Unpacking and Checking Carton Contents

Remove contents of carton. Check each item against the Carton Contents List. Contact 1-800-4-RIDGID (1-800-474-3443) from the US and Canada, 01-800-701-9811 from Mexico. E-mail us at info@RIDGIDvac.com or www.RIDGIDvac.com if any parts are damaged or missing.

Carton Contents List

Key	Description	Qty
A	Wet/Dry Vac	1
B	Carry Handle	1
C	Tug-A-Long Hose	1
D	Extension Wands	2
E	Casters	4
F	Utility Nozzle	1
G	Wet Nozzle	1
H*	Float	1
I*	Filter Cage	1
J*	VF4000 Cartridge Filter	1
K	Owner's Manual	1

* Items may come preassembled.

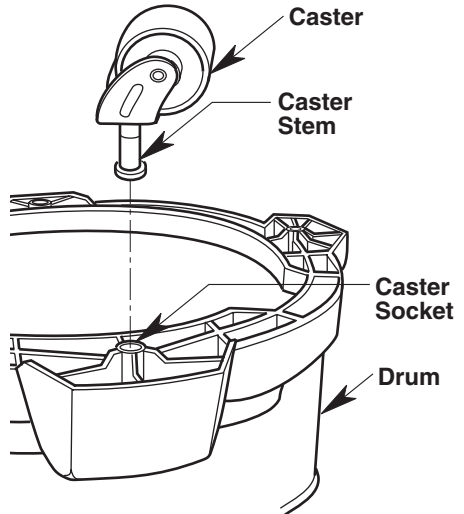


Some Models May Include:		
Key	Description	Qty
L	Car Nozzle.....	1

Caster Assembly

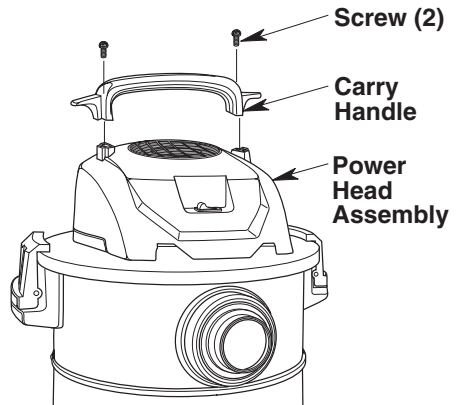
▲ WARNING: For your own safety, never connect plug to power source outlet until all assembly steps are complete and you have read and understood the safety and operation instructions. Do not operate Vac with any parts damaged or missing.

1. Turn the dust drum upside down on the floor.
2. Insert the caster feet into the bottom of drum, as shown (4 places).
3. Push on the caster foot until the foot is flush with bottom of the dust drum.
4. Insert the caster stem into the socket of the caster foot, as shown (4 places).
5. Push on the caster until the ball on the caster stem is inserted all the way into the socket. You will hear the ball snap into the socket and the caster will swivel easily when positioning is correct.
6. Turn the drum upright.



Carry Handle Assembly

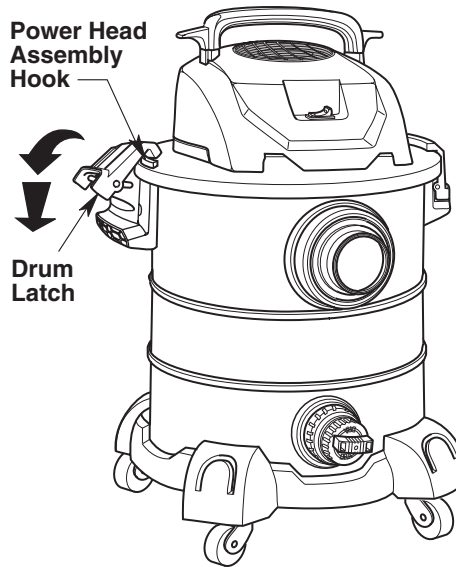
1. Place the carry handle on the Wet/Dry Vac power head assembly.
2. Tighten both screws to assemble the carry handle on the power head assembly.



Wet/Dry Vac Assembly

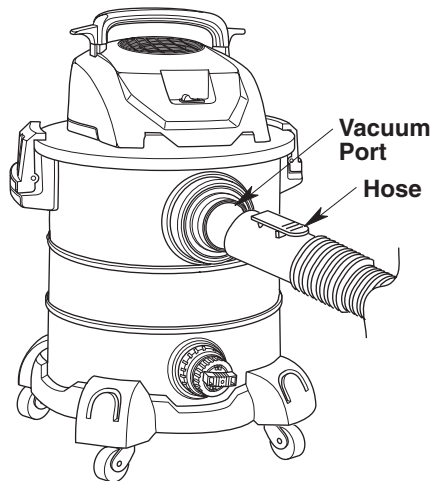
Assembling the Power Head:

1. Align the front of the power head assembly with the vacuum port located on the front of the dust drum, as shown.
2. Place the power head assembly on top of the dust drum.
3. Ensure the power head assembly completely covers the top of the dust drum so leakage does not occur.
4. Rotate the drum latch up and over the power head assembly hook to engage the two latches.
5. To remove the power head assembly, reverse these directions.



Inserting Hose:

1. Insert the larger end of the hose into the vacuum port.
2. Optional: Place the utility nozzle securely on the opposite end of the hose. The Vac is ready for use.



Operation

▲ WARNING: To reduce the risk of fire, explosion, or damage to Vac:

- Do not leave Vac running while unattended - you may fail to notice important signs indicating abnormal operation such as loss of suction, debris/liquid exiting the exhaust, or abnormal motor noises. Immediately stop using Vac if you notice these signs.
- Do not leave Vac plugged in when not in use.
- Do not continue running when float has cut off suction.
- Sparks inside the motor can ignite airborne flammables. Do not operate Vac near flammable liquids or in areas with flammable gases, vapors, or explosive/airborne dust. Flammable liquids, gases, and vapors include: lighter fluid, solvent-type cleaners, oil-based paints, gasoline, alcohol, and aerosol sprays. Explosive dusts include: coal, magnesium, aluminum, grain, and gun powder.
- Do not vacuum up explosive dusts, flammable liquids, or hot ashes.

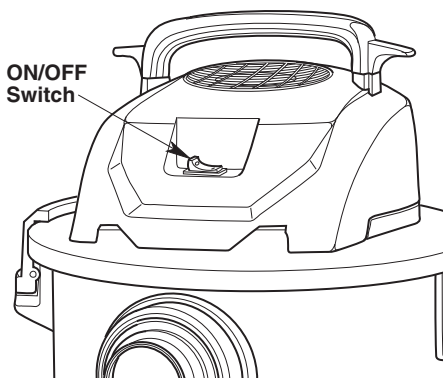
▲ WARNING: To reduce the risk of electric shock or injury:

- Do not expose to rain or allow liquid to enter motor compartment. Store indoors.
- Do not handle plug, switch, or Vac with wet hands.
- Unplug Vac before servicing. If your Vac is not working as it should, has missing parts, has been dropped, damaged, left outdoors, or dropped into water, return it to an authorized service center or call customer service.
- When using an extension cord, use only outdoor-rated cords that are in good condition. Do not allow the connection to come into contact with liquid.

To reduce the risk of electric shock, this appliance has a polarized plug. This plug will fit in a polarized outlet only one way. If the plug does not fit fully in the outlet, reverse the plug. If it still does not fit, contact a qualified electrician to install the proper outlet. Do not change the plug in any way.

After you plug the power cord into the outlet, turn the unit on by pushing the ON/OFF switch from position "0" to position "1".

○ = OFF | = ON



Operation (continued)

Familiarize yourself with the accessories included with the Vac. Each accessory may be used in various ways for vacuuming and blowing debris. Here is a list of the accessories and their uses.

Hose - Provides transfer of vacuum or blowing capability to work site. Provides the means of attaching extension wands and nozzles.

Extension Wands - Connect the wands together to provide additional length.

Utility Nozzle - General purpose nozzle for most vacuuming applications.

Wet Nozzle - Used for wet pickup on smooth surfaces to pick up liquid and dry the surface in one stroke.

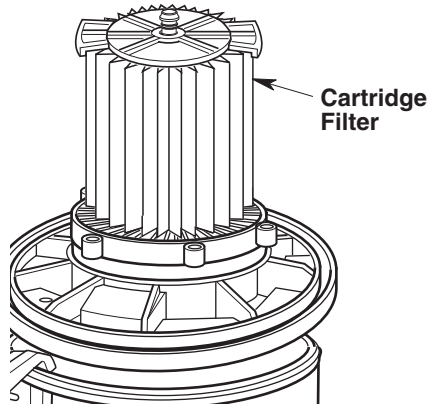
Included with Select Catalog Numbers:
Car Nozzle - General purpose nozzle for detailed cleaning.

Vacuuming Dry Materials

1. The filter must always be in correct position at all times to avoid leaks and possible damage to Vac.
2. When using your Vac to pick up very fine dust, it will be necessary for you to empty the drum and clean the filter at more frequent intervals to maintain peak Vac performance.

NOTE: A dry filter is necessary to pick up dry material. If you use your Vac to pick up dust when the filter is wet, the filter will clog quickly and be very difficult to clean.

3. If your filter is wet but you need to use the Vac to pick up dry material, you must first allow the filter to dry.



Vacuuming Liquids

1. When picking up small amounts of liquid the filter may be left in place.
2. When picking up large amounts of liquid we recommend that the filter be removed. If the filter is not removed it will become saturated and misting may appear in the exhaust.

▲ WARNING: Do not operate without filter cage and float, as they prevent liquid from entering the impeller and damaging the motor.

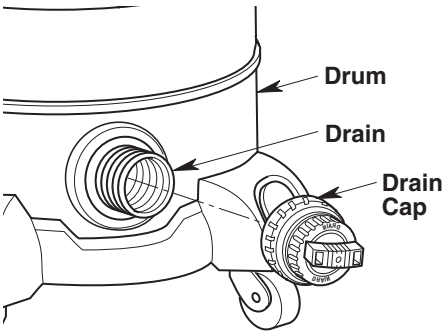
3. When the liquid in the drum reaches a predetermined level, the float mechanism will rise automatically to cut off airflow. You will know that the float has risen because Vac airflow ceases and the motor noise will become higher in pitch, due to increased motor speed. When this happens, turn off the Vac, unplug the power cord, and empty the drum.
4. After using the Vac to pick up liquids, the filter must be dried to avoid possible mildew and damage to the filter.

Operation (continued)

Emptying the Drum

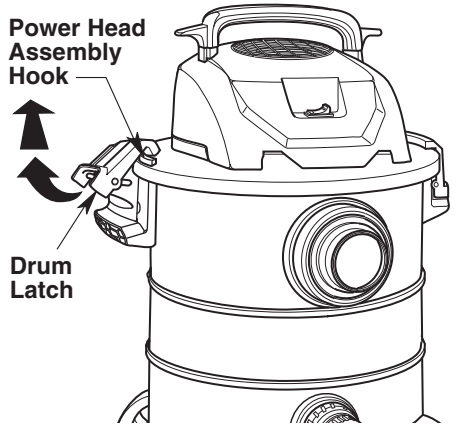
▲ WARNING: To reduce the risk of injury from accidental starting, unplug power cord before emptying the drum.

1. The Vac comes equipped with a drain for easy emptying of liquids. Simply unscrew the drain cap and lift the opposite side slightly to empty the drum.



2. Another option is to remove the power head assembly. Pull the latch handle out ward so that the latch unclamps the motor cover and rotate the latch away from the motor cover.
3. Lift the power head assembly up and away from the drum. Lay power head assembly upside down on a clean area while emptying drum or changing filter.
4. Dump the drum contents into the proper waste disposal container.

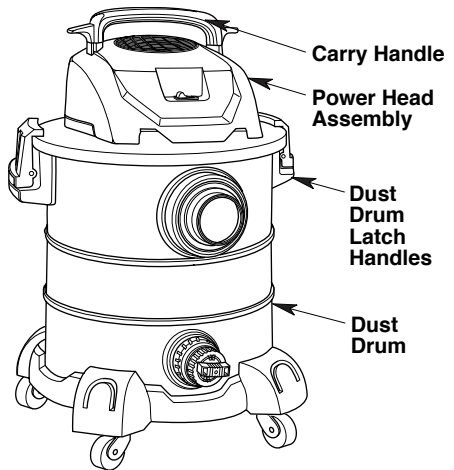
▲ WARNING: To reduce the risk of back injury or falls, do not lift a Vac heavy with liquid or debris. Scoop or drain enough contents out to make the Vac light enough to lift comfortably.



Moving the Wet/Dry Vac

Should it become necessary to pick the Vac up to move it, use the dust drum latch handles located on the bottom of the latches.

To maneuver the Vac, the carry handle on top of the power head assembly should be used.



Operation (continued)

Blowing Feature

Your Wet/Dry Vac features "Full Blowing". It can blow sawdust and other debris. Follow the steps below to use your Vac as a blower.

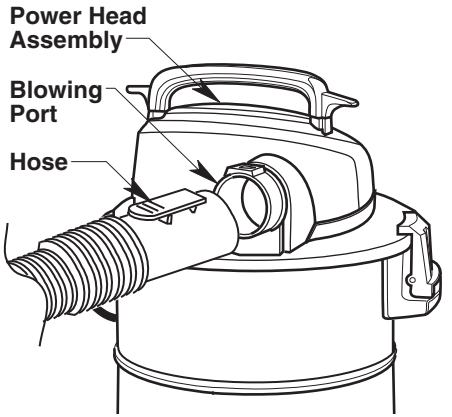
1. Locate the blowing port of your Wet/Dry Vac.
2. Insert the larger end of the hose into the blowing port of the Vac.
3. (Optional) Attach the extension wand to the swivel end of the hose.
4. Turn the Vac on and you are ready to use your Vac as a blower.

▲ WARNING: Always wear safety eyewear complying with ANSI Z87.1 (or in Canada, CSA Z94.3) before using as a Blower.

▲ WARNING: To reduce the risk of injury to bystanders, keep them clear of blowing debris.

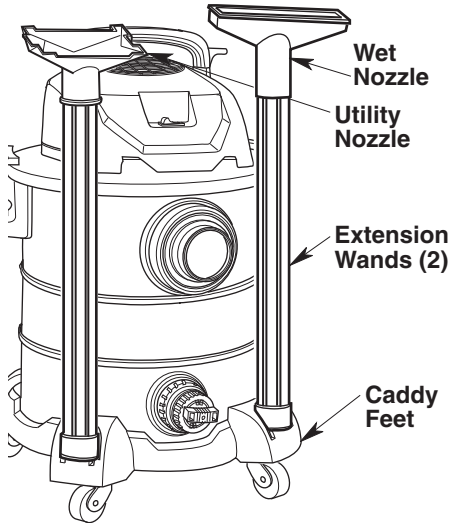
▲ CAUTION: Wear a dust mask if blowing creates dust which might be inhaled.

▲ CAUTION: To reduce the risk of hearing damage, wear ear protectors when using the Vac/Blower for extended time or in a noisy area.



Accessory Storage

1. Slide the extension wands onto the posts of the caddy feet for storage.
2. Place each accessory (utility nozzle and wet nozzle) onto the top of each extension wand for storage.
3. To remove wands and accessories, lightly rotate and pull upward.



Maintenance

Removal and Installation of the Qwik Lock™ Filter

⚠ WARNING: To reduce the risk of injury from accidental starting, unplug the power cord before changing or cleaning the filter.

Remove Power Head Assembly to Access the Filter:

1. Grasp the drum latches on both the right and left side of the power head assembly. Slowly pull the drum latches away from the drum. Lift the power head assembly off the drum. Place the lid and power head assembly upside down on the dust drum.

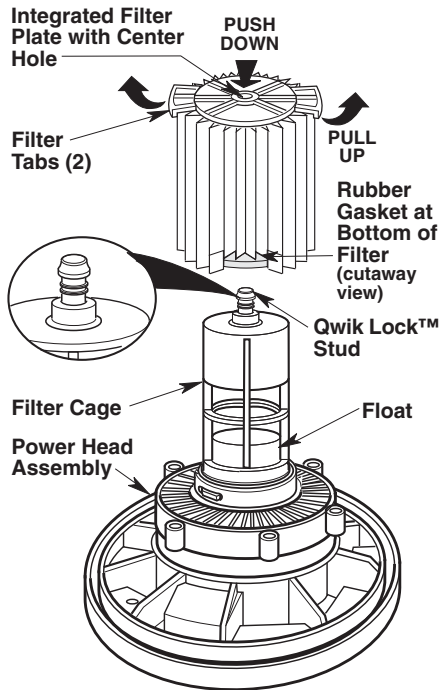
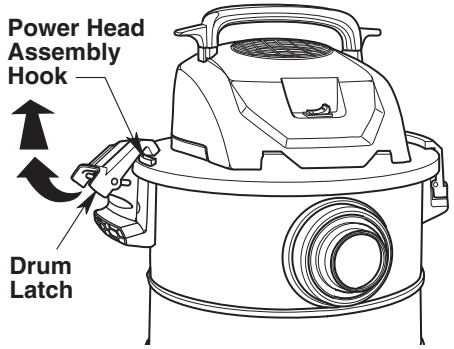
Filter Removal:

1. Hold the filter tabs of the Qwik Lock™ filter in each hand.
2. With one thumb on the Qwik Lock™ stud, which protrudes through the integrated filter plate, lift up on the filter tabs while pushing down on the stud.
3. This action will cause the filter to release from the filter cage. Slide filter off cage.

IMPORTANT: To avoid damage to the blower wheel and motor, always reinstall the filter before using the Vac for dry material pick-up.

Filter Installation:

1. Carefully slide the Qwik Lock™ filter over the filter cage and press down on the outside edge of the filter until the rubber gasket on the bottom of the filter seats securely around the base of the filter cage and against the lid.
2. Align the small center hole in the top of the filter over the Qwik Lock™ stud on the filter cage. Press firmly on top of the filter near the stud to allow the filter to snap over the ball on the end of the stud. The filter is now attached.



NOTE: Failure to properly seat the bottom gasket could result in debris bypassing the filter.

⚠ WARNING: Do not operate without a filter cage and float, as they prevent liquid from entering the impeller and damaging the motor.

Maintenance (continued)

▲ WARNING: To reduce the risk of injury from accidental starting, unplug the power cord before changing or cleaning the filter.

NOTE: The filter is made of high quality paper designed to stop very small particles of dust. The filter can be used for dry pick up or small amounts of liquid. Handle the filter carefully when removing to clean or installing it. Creases in the filter pleats may occur from installation but will not affect the performance of the filter.

Cleaning Vac Filter

The filter should be cleaned often to maintain peak Vac performance.

Cleaning A Dry Filter

1. Some removal of dry debris can be accomplished without removing the filter from the Vac. Slap your hand on top of the lid while the Vac is turned off.
2. For best cleaning results due to accumulated dust, clean the filter in an open area. Clean the filter outdoors and not in the living quarters.
3. After filter removal from the Vac, remove the dry debris by gently tapping the filter against the inside wall of your dust drum. The debris will loosen and fall.
4. For thorough cleaning of a dry filter with fine dust (no debris), run water through it as described under "Cleaning A Wet Filter".
5. Allow the filter to dry before storing or picking up dry debris.

Cleaning A Wet Filter

After the filter is removed, run water through the filter from a hose or spigot. Take care that water pressure from the hose is not strong enough to damage the filter.

IMPORTANT: After cleaning, check the filter for tears or small holes. Do not use a filter with holes or tears in it. Even a small hole can allow dust to come out of your Vac. Replace it immediately.

Allow the filter to dry before reinstalling and storing the Vac or picking up dry debris.

Cleaning and Disinfecting the Wet/Dry Vac

To keep your Wet/Dry Vac looking its best, clean the outside with a cloth dampened with warm water and mild soap.

To clean the drum:

1. Dump debris out.
2. Wash drum thoroughly with warm water and mild soap.
3. Wipe out with dry cloth.

Before prolonged storage or as needed (i.e., waste water pick up) the drum should be disinfected.

To disinfect the drum:

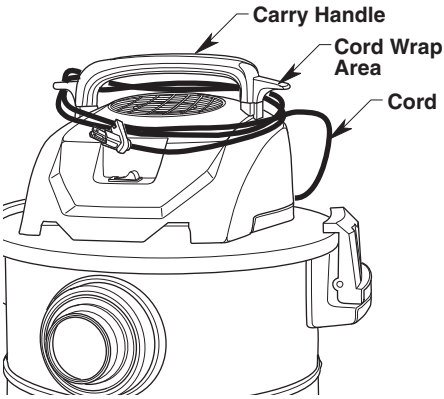
1. Pour 1 gallon (4 l) of water and 1 teaspoon (5 ml) chlorine bleach into the drum.
2. Let solution stand for 20 minutes, carefully swishing every few minutes, making sure to wet all inside surfaces of the drum.
3. Empty drum after 20 minutes. Rinse with water until bleach smell is gone. Allow drum to dry completely before sealing the motor on the drum.

Maintenance (continued)

Storage

Before storing the Vac, empty and clean the dust drum. Wrap the power cord around the carry handle. Keep accessories in the same area as the Vac so that they are readily available. Store the Vac indoors.

If the power cord is damaged, it must be replaced by the manufacturer or their service agent or by similarly qualified personnel to reduce the risk of accident.



Casters

If your casters are noisy, you may put a drop of oil on the roller shaft to make them quieter.

▲ WARNING: To assure product SAFETY and RELIABILITY, any other servicing or repairs and adjustments should be performed by Authorized Service Centers, always using RIDGID replacement parts.

Repair Parts

RIDGID 10 Gallon / 37 Liters Stainless Steel Wet/Dry Vac Model Numbers WD10500 / WD10600

RIDGID parts are available on-line at www.RIDGIDparts.com

Always order by Part Number - Not by Key Number

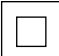
Electrical Ratings:

WD10500 120 V, 9 A, 60 Hz.

WD10600 120 V, 10 A, 60 Hz.

▲ WARNING

SERVICING OF DOUBLE-INSULATED WET/DRY VAC

In a double-insulated Wet/Dry Vac, two systems of insulation are provided instead of grounding. No grounding means is provided on a double-insulated appliance, nor should a means for grounding be added. Servicing a double-insulated Wet/Dry Vac requires extreme care and knowledge of the system, and should be done only by qualified service personnel. Replacement parts for a double-insulated Wet/Dry Vac must be identical to the parts they replace. Your double-insulated Wet/Dry Vac is marked with the words "DOUBLE INSULATED" and the symbol  (square within a square) may also be marked on the appliance.

To reduce the risk of injury from electrical shock, unplug power cord before servicing the electrical parts of the Wet/Dry Vac.

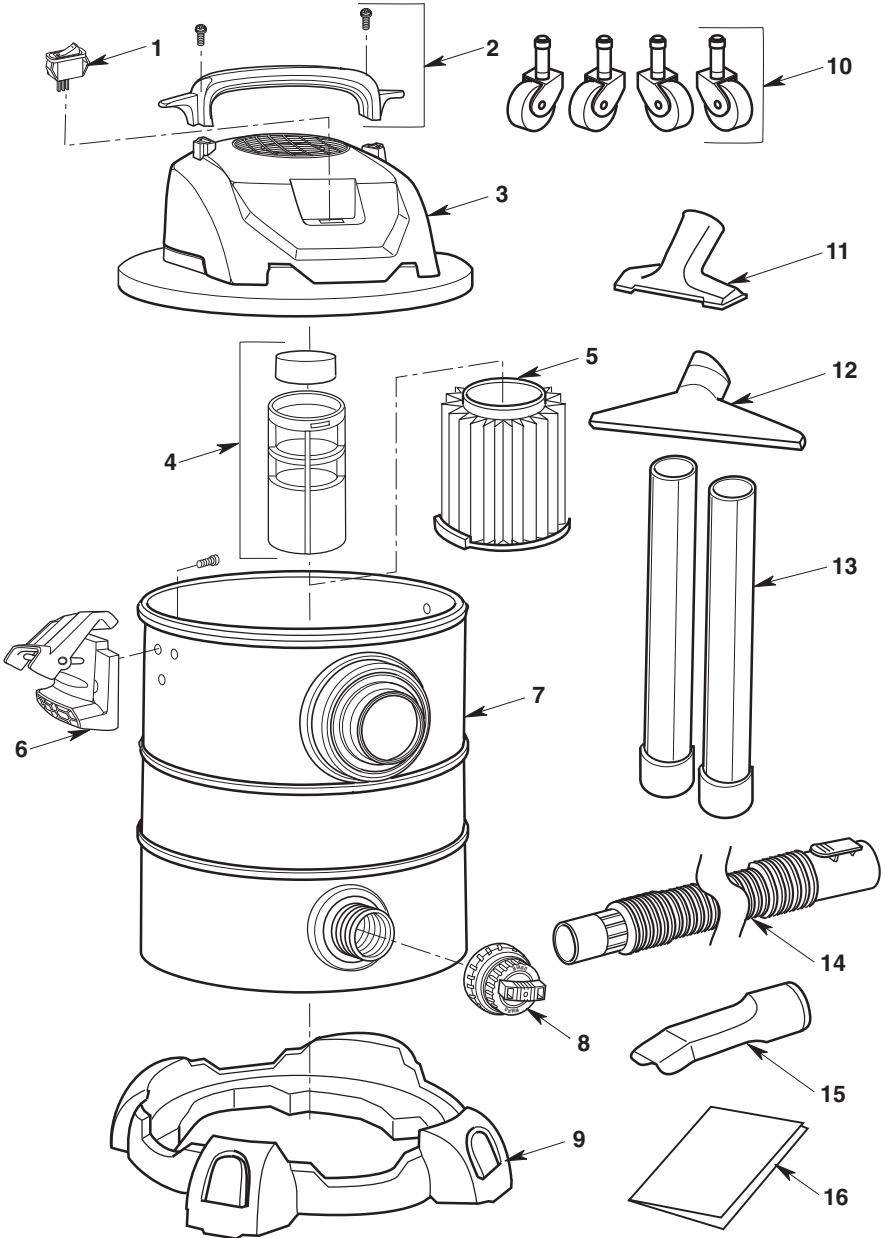
Key No.	Part No.	Description
1	832086	Rocker Switch
2	840090	Carry Handle
3	840789	Power Head Assembly
4	510205	Filter Cage Assembly
5	VF4000	† Cartridge Filter
6	840092	Latch Assembly and Hardware
7	836491	Drum
8	73185	Drain Cap
9	840091	Caddy
10	73137	Casters (set of 4)
11	VT2509	† Utility Nozzle
12	VT2510	† Wet Nozzle
13	VT2508	† Extension Wand
14	826356-5	† Hose
15	VT2503	† Car Nozzle (Available on Select Models)
16	SP7001	Owner's Manual

† These replacement parts may be available where you purchased your Vac.

Repair Parts (continued)

RIDGID 10 Gallon / 37 Liters Stainless Steel Wet/Dry Vac
Model Numbers WD10500 / WD10600

RIDGID parts are available on-line at www.RIDGIDparts.com





Symbol of Quality, Durability and Dependability

• **What is covered**

RIDGID® Wet/Dry Vac's are warranted to be free of defects in workmanship and material.

• **How long coverage lasts**

This warranty lasts for the lifetime of the RIDGID® Wet/Dry Vac.

• **How to obtain service**

To obtain the benefit of this warranty, deliver via prepaid transportation the complete product to RIDGE TOOL COMPANY, Elyria, Ohio, or any authorized RIDGID® INDEPENDENT SERVICE CENTER. Pipe wrenches and other hand tools should be returned to the place of purchase.

• **What we will do to correct problems**

Warranted Wet/Dry Vac's will be repaired or replaced, at Ridge Tool Company's option, and returned at no charge; or, if after three attempts to repair or replace during the warranty period the Wet/Dry Vac is still defective, you can elect to receive a full refund of your purchase price.

• **What is not covered**

Failures due to misuse, abuse or normal wear and tear are not covered by this warranty. **RIDGE TOOL COMPANY SHALL NOT BE RESPONSIBLE FOR ANY INCIDENTAL OR CONSEQUENTIAL DAMAGES.**

• **How local laws relate to the warranty**

Some states do not allow the exclusion or limitation of incidental or consequential damages, so the above limitation or exclusion may not apply to you. This warranty gives you specific rights, and you may also have other rights which vary from state to state, province to province, or country to country.

• **No other express warranty applies**

This FULL LIFETIME WARRANTY is the sole and exclusive warranty for RIDGID® Wet/Dry Vac's. No employee, agent, dealer, or other person is authorized to alter this warranty or make any other warranty on behalf of Ridge Tool Company.

Stock No. WD1050, Model No. WD10500

Stock No. WD1060, Model No. WD10600

Serial No. _____

The serial number and model number may be found on the serial plate located near the blower port of the power head. You should record both model and serial numbers in a safe place for future use.

**FOR QUESTIONS OR INFORMATION CONTACT US AT
1-800-4-RIDGID (1-800-474-3443) from the US and Canada
01-800-701-9811 from Mexico**

www.RIDGIDvac.com

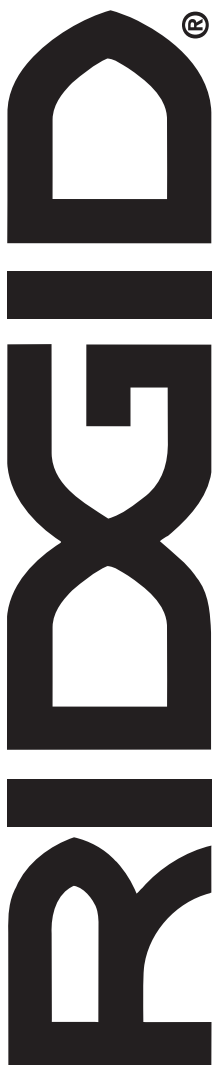
Please have your Model Number and Serial Number on hand when calling.



EMERSON™

www.RIDGID.com

© 2016 Emerson

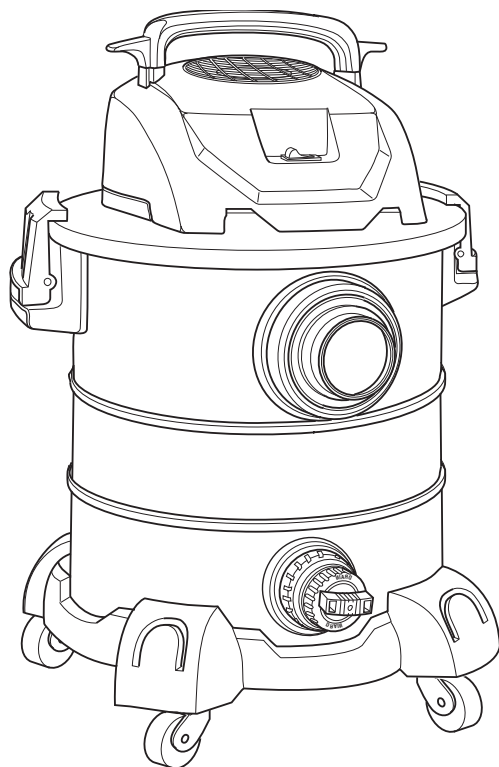


MANUAL DEL USUARIO

ASPIRADORA PARA MOJADO/SECO
DE ACERO INOXIDABLE DE
10 GALONES EE.UU./37 LITROS

WD10500

WD10600



¿PREGUNTAS O COMENTARIOS? COMUNÍQUESE CON NOSOTROS EN
1-800-4-RIDGID (1-800-474-3443) desde los EE.UU. y Canadá
01-800-701-9811 desde México
www.RIDGIDvacs.com

▲ ADVERTENCIA:

Para reducir el riesgo de lesiones, el usuario debe leer y entender el manual del operador antes de utilizar este producto.

Gracias por comprar un producto RIDGID.

GUARDE ESTE MANUAL PARA REFERENCIA FUTURA

Índice

Sección	Página	Sección	Página
Introducción	20	Recogida de líquidos con la aspiradora	24
Comprobación del contenido de la caja de cartón	20	Vaciado del tambor para polvo	25
Ensamblaje de las ruedecillas	21	Traslado de la aspiradora para mojado/seco	25
Ensamblaje del asa de transporte	21	Dispositivo de soplado	26
Ensamblaje de la aspiradora para mojado/seco	22	Área de almacenamiento de los accesorios	26
Funcionamiento	23-26	Mantenimiento	27-29
Recogida de materiales secos		Remoción e instalación del filtro Qwik Lock	27
con la aspiradora	24	Piezas de repuesto	30-31
		Garantía	32

INSTRUCCIONES DE SEGURIDAD IMPORTANTES

La seguridad es una combinación de sentido común, permanecer alerta y saber cómo funciona la aspiradora para mojado/seco ("la aspiradora").

Palabras de señal de seguridad

▲ PELIGRO: indica una situación peligrosa que, si no se evita, causará la muerte o lesiones graves.

▲ ADVERTENCIA: indica una situación peligrosa que, si no se evita, podría causar la muerte o lesiones graves.

▲ PRECAUCIÓN: indica una situación peligrosa que, si no se evita, pudiera causar lesiones leves o moderadas

Cuando utilice la aspiradora, siga siempre las precauciones básicas de seguridad, incluyendo las siguientes:

▲ ADVERTENCIA

– Para reducir el riesgo de incendio, sacudidas eléctricas o lesiones:

- Lea y entienda este manual del usuario y todas las etiquetas que están colocadas en la aspiradora para mojado/seco antes de utilizarla.
- Utilice la aspiradora únicamente de la manera que se describe en este manual.
- No deje la aspiradora en marcha mientras esté desatendida. Usted podría no notar señales importantes que indiquen un funcionamiento anormal, tal como pérdida de succión, residuos o líquido que salen por el escape o ruidos anormales del motor. Deje de usar la aspiradora inmediatamente si observa estas señales.
- No abandone la aspiradora cuando esté enchufada. Desenchúfela del tomacorriente cuando no la esté utilizando y antes de realizar servicio de revisión.
- Las chispas que se generan dentro del motor pueden incendiar los vapores o polvos inflamables. Para reducir el riesgo de incendio o explosión, no use la unidad cerca de líquidos, gases o polvos combustibles, tales como gasolina u otros combustibles, líquido encendedor, limpiadores, pinturas a base de aceite, gas natural, polvo de carbón, polvo de magnesio, polvo de grano de cereal, polvo de aluminio o pólvora.
- No recoja con la aspiradora nada que esté ardiendo o humeando, como cigarrillos, fósforos o cenizas calientes.
- No recoja con la aspiradora polvo de panel de yeso, ceniza fría de chimenea u otros polvos finos con un filtro estándar. Estos materiales pueden pasar por el filtro y ser expulsados de vuelta al aire. Utilice un filtro para polvo fino en lugar de un filtro estándar.
- Para reducir el riesgo de inhalar vapores tóxicos, no recoja con la aspiradora materiales tóxicos o peligrosos ni la use cerca de dichos materiales.
- Para reducir el riesgo de descargas eléctricas, no exponga la aspiradora a la lluvia ni deje que entren líquidos en el compartimento del motor. Guarde la aspiradora en un lugar interior.
- Esta aspiradora mojado/seco no se destina para utilizarse por personas (incluyendo niños) cuyas capacidades físicas, sensoriales o mentales sean diferentes o estén reducidas, o carezcan de experiencia o conocimiento, a menos que dichas personas reciban una supervisión o capacitación para el funcionamiento del aparato por una persona responsable de su seguridad.
- No permita que la aspiradora se utilice como un juguete. Se necesita prestar máxima atención cuando sea utilizada por niños o cerca de éstos.
- No use la aspiradora con un filtro desgarrado o sin tener el filtro instalado, excepto cuando recoja con ella líquidos de la manera que se describe en este manual. Los residuos secos absorbidos por el impulsor podrían dañar el motor o ser expulsados de vuelta al aire.
- Apague la aspiradora antes de desenchufarla.
- Para reducir el riesgo de lesiones debidas a un arranque accidental, desenchufe el cordón de energía antes de cambiar o limpiar el filtro.

- No desenchufe la aspiradora tirando del cordón. Para desenchufarla, agarre el enchufe y no el cordón.
- No use la aspiradora con el cordón dañado, el enchufe dañado u otras piezas dañadas. Si la aspiradora no funciona como debe, le faltan piezas, se ha caído, ha sido dañada, se ha dejado a la intemperie o se ha caído al agua, llame a servicio al cliente.
- No tire de la aspiradora usando el cordón ni la lleve por el cordón, ni use el cordón como asa, ni cierre una puerta sobre el cordón, ni tire del cordón alrededor de bordes o esquinas afilados. No pase la aspiradora en marcha sobre el cordón. Mantenga el cordón alejado de las superficies calientes.
- No maneje el enchufe, el interruptor o la aspiradora con las manos mojadas.
- Utilice únicamente cordones de extensión que tengan capacidad nominal para uso a la intemperie. Los cordones de extensión que estén en malas condiciones o tengan un tamaño de alambre demasiado pequeño pueden crear peligros de incendio y descargas eléctricas. Para reducir el riesgo de estos peligros, asegúrese de que el cordón esté en buenas condiciones y que el líquido no entre en contacto con la conexión. No utilice un cordón de extensión que tenga conductores con un diámetro menor al calibre 16 (AWG). Para reducir la pérdida de potencia, no utilice un cordón de extensión con conductores de tamaño inferior al calibre 14 AWG si la longitud es de más de 50 pies (15 m) o al calibre 12 AWG si la longitud es de más de 100 pies (45 m).
- Esta aspiradora para mojado/seco tiene aislamiento doble, lo cual elimina la necesidad de un sistema independiente de conexión a tierra. Utilice únicamente piezas de repuesto idénticas. Lea las instrucciones de servicio de revisión de las aspiradoras para mojado/seco con aislamiento doble.
- No ponga ningún objeto en las aberturas de ventilación. No recoja nada con la aspiradora cuando cualquiera de las aberturas de ventilación esté bloqueada; mantenga dichas aberturas libres de polvo, pelusa, pelo o cualquier cosa que pueda reducir el flujo de aire.
- Mantenga el pelo, la ropa holgada, los dedos y todas las partes del cuerpo alejados de las aberturas y de las piezas móviles.
- Para reducir el riesgo de caídas, tenga cuidado adicional al limpiar en escaleras.
- Para reducir el riesgo de lesiones de espalda o caídas, no levante una aspiradora que pese mucho debido a que contiene líquido o residuos. Saque parte del contenido de la aspiradora o drénela parcialmente.
- Para reducir el riesgo de lesiones corporales o daños a la aspiradora, utilice únicamente accesorios recomendados por RIDGID.
- Cuando utilice la aspiradora como soplador :
 - Dirija la descarga de aire solamente hacia el área de trabajo.
 - No dirija el aire hacia las personas que estén presentes.
 - Mantenga alejados a los niños durante la operación de soplado.
 - No utilice el soplador para trabajos que no sean soplar suciedad y residuos.
 - No use la aspiradora como rociador.
- Para reducir el riesgo de lesiones en los ojos, use protección ocular de seguridad. La utilización de cualquier aspiradora utilitaria o soplador utilitario puede hacer que se soplen objetos extraños hacia los ojos, lo cual puede causar daños graves en los ojos.

PRECAUCIÓN:

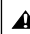
- Para reducir el riesgo de daños a la audición, use protectores de oídos cuando utilice la aspiradora durante muchas horas seguidas o cuando la emplee en un área ruidosa.
- Para operaciones que generan polvo, use una máscara antipolvo.
- Las descargas de estática son comunes cuando la humedad relativa del aire es baja. Si recoge residuos finos con la aspiradora, se puede depositar carga estática en la manguera o en la aspiradora. El mejor remedio para reducir la frecuencia de las descargas de estática en su casa o cuando use esta aspiradora es añadir humedad al aire con un humidificador.

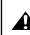
Siga las siguientes advertencias que aparecen en la caja del motor de la aspiradora.



ASLAMIENTO DOBLE. NO SE REQUIERE CONEXION A TIERRA.

CUANDO HAGA SERVICIO DE REVISIÓN DE LA ASPIRADORA, UTILICE ÚNICAMENTE PIEZAS DE REPUESTO IDÉNTICAS.

 **ADVERTENCIA:** Para su propia seguridad, lea y entienda el manual del operador. No tenga en marcha la aspiradora desatendida. No recoja cenizas calientes, carbón caliente, materiales tóxicos ni inflamables ni otros materiales peligrosos. No use la aspiradora alrededor de líquidos o vapores explosivos.

 **ADVERTENCIA:** Para reducir el riesgo de sacudidas eléctricas, no exponga la aspiradora a la lluvia y almacénela en interiores.

GUARDE ESTE MANUAL

Introducción

Esta aspiradora para seco/mojado está diseñada para uso doméstico o propósitos de limpieza normal en hoteles, oficinas, escuelas, hospitales e instalaciones similares. Se puede utilizar para la recogida ligera de medios mojados o secos y también se puede usar como soplador. El diseño liviano permite la utilización para realizar la mayoría de las tareas domésticas de aspiración pequeñas.

Familiarícese con las siguientes características del producto y lea todo el manual del usuario para obtener instrucciones sobre la utilización específica de su nueva aspiradora para mojado/seco.

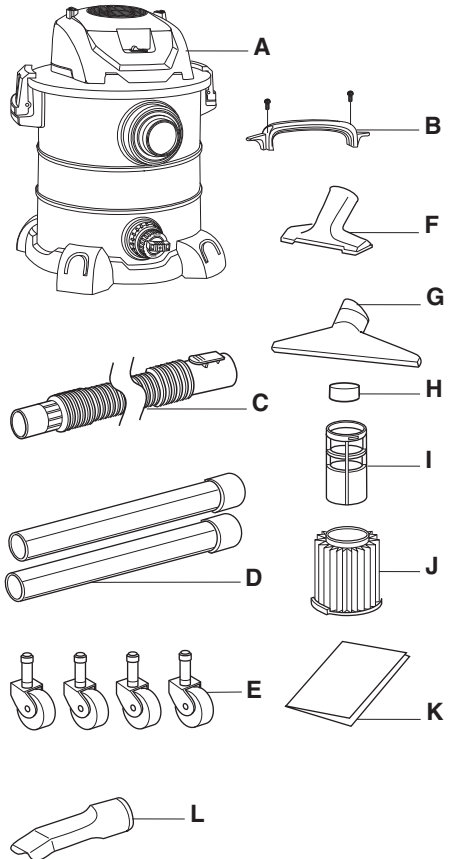
Comprobación del contenido de la caja de cartón

Saque todo el contenido de la caja de cartón. Asegúrese de que no falte ningún artículo utilizando la lista del contenido de la caja. Llame al 1-800-4-RIDGID (1-800-474-3443) desde los EE.UU. y Canadá, y al 01-800-701-9811 desde México. Envíenos un correo electrónico a info@RIDGIDvac.com o www.RIDGIDvac.com si cualquier pieza está dañada o falta.

Lista del contenido de la caja de cartón

Clave	Descripción	Cant.
A	Aspiradora para mojado/seco de 4 galones	1
B	Asa de transporte.....	1
C	Manguera arrastrable Tug-A-Long	1
D	Tubos de extensión	2
E	Ruedecillas	4
F	Boquilla utilitaria	1
G	Boquilla para mojado	1
H*	Flotador	1
I*	Jaula del filtro	1
J*	Filtro de cartucho VF4000	1
K	Manual del usuario	1

* Estos artículos pueden venir preensamblados.



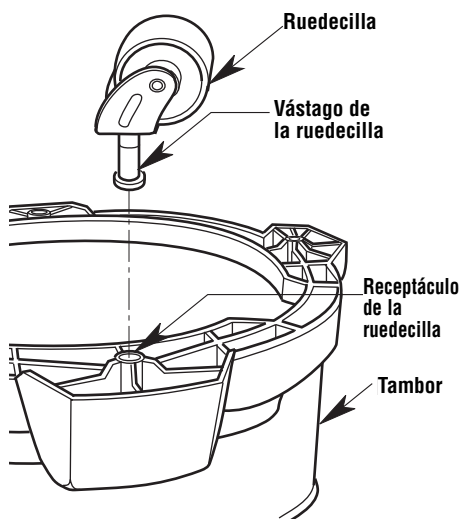
Puede que algunos modelos incluyan:

Clave	Descripción.....	Cant.
L	Boquilla para auto	1

Ensamblaje de las ruedecillas

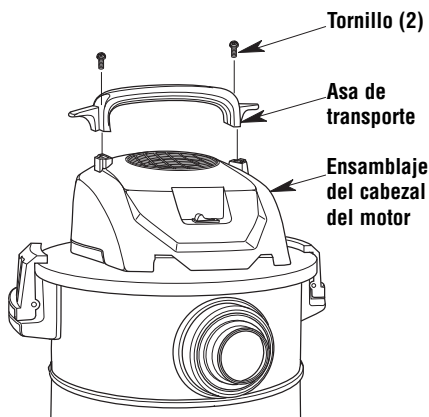
⚠ ADVERTENCIA: Para su propia seguridad, nunca conecte el enchufe a un tomacorriente hasta que se hayan completado todos los pasos de ensamble y usted haya leído y entendido las instrucciones de seguridad y de funcionamiento. No haga funcionar la aspiradora cuando alguna pieza esté dañada o falte.

1. Ponga el tambor para polvo en posición invertida sobre el piso.
2. Introduzca las patas para ruedecilla en la parte inferior del tambor, tal como se muestra (4 lugares).
3. Ejercer presión sobre la pata para ruedecilla hasta que la pata esté al ras con la parte inferior del tambor para polvo.
4. Introduzca el vástago de la ruedecilla en el receptáculo de la pata para ruedecilla, tal como se muestra (4 lugares).
5. Ejercer presión sobre la ruedecilla hasta que la bola del vástago de la ruedecilla se introduzca del todo en el receptáculo. Se podrá oír como la bola encaja en el receptáculo con un chasquido y la ruedecilla oscilará fácilmente cuando el posicionamiento sea correcto.
6. Ponga el tambor en posición vertical.



Ensamblaje del asa de transporte

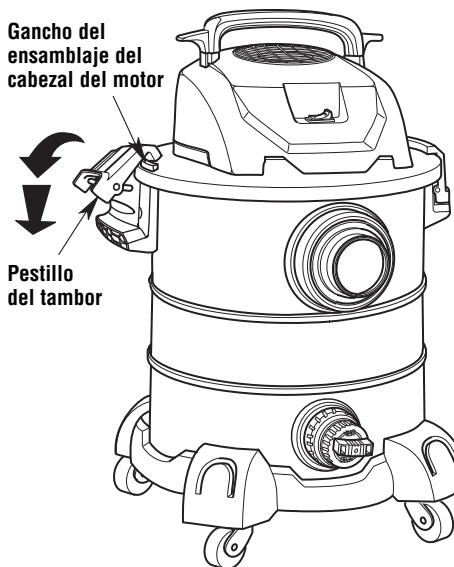
1. Coloque el asa de transporte sobre el tornillo de ensamblaje del cabezal del motor de la aspiradora para seco/mojado.
2. Apriete ambos tornillos para ensamblar el asa de transporte sobre el ensamblaje del cabezal del motor.



Ensamblaje de la aspiradora para mojado/seco

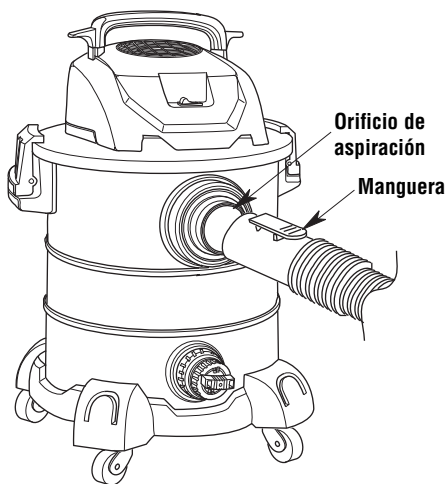
Ensamblaje del cabezal del motor:

1. Alinee la parte delantera del ensamblaje del cabezal del motor con el orificio de aspiración ubicado en la parte delantera del tambor para polvo, de la manera que se muestra en la ilustración.
2. Coloque el ensamblaje del cabezal del motor sobre el tambor para polvo.
3. Asegúrese de que el ensamblaje del cabezal del motor cubra completamente la parte superior del tambor para polvo para que no se produzcan escapes.
4. Rote el pestillo del tambor hacia arriba y sobre el gancho del ensamblaje del cabezal del motor para acoplar los dos pestillos.
5. Para quitar el ensamblaje del cabezal del motor, siga a la inversa las instrucciones anteriores.



Introduzca la manguera:

1. Inserte el extremo más grande de la manguera en el orificio de aspiración.
2. Opcional: Coloque la boquilla utilitaria de manera segura en el extremo opuesto de la manguera y la aspiradora estará lista para utilizarse.



Funcionamiento

⚠ ADVERTENCIA: Para reducir el riesgo de incendio, explosión o daños a la aspiradora:

- No deje la aspiradora en marcha mientras esté desatendida. Usted podría no notar señales importantes que indiquen un funcionamiento anormal, tal como pérdida de succión, residuos o líquido que salen por el escape o ruidos anormales del motor. Deje de usar la aspiradora inmediatamente si observa estas señales.
- No deje la aspiradora enchufada cuando no se esté utilizando.
- No continúe usando la aspiradora cuando el flotador haya cortado la succión.
- Las chispas generadas dentro del motor pueden incendiar los materiales inflamables suspendidos en el aire. No utilice la aspiradora cerca de líquidos inflamables ni en áreas con gases o vapores inflamables o polvo explosivo/suspendido en el aire. Los líquidos inflamables, gases inflamables y los vapores inflamables incluyen: líquido encendedor, limpiadores tipo solvente, pinturas a base de aceite, gasolina, alcohol y rociadores tipo aerosol. Los polvos explosivos incluyen: carbón, magnesio, aluminio, grano de cereal y pólvora.
- No recoja con la aspiradora polvos explosivos, líquidos inflamables ni cenizas calientes.

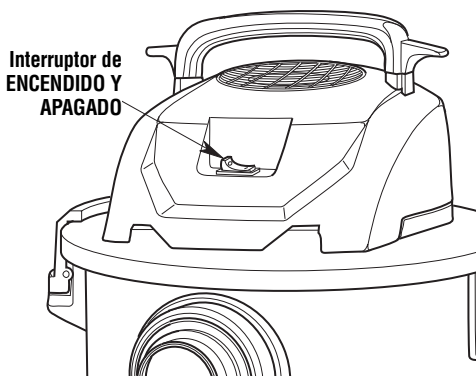
⚠ ADVERTENCIA: Para reducir el riesgo de descargas eléctricas o lesiones:

- No exponga la aspiradora a la lluvia ni deje que entre líquido en el compartimiento del motor. Almacene la aspiradora en un lugar interior.
- No maneje el enchufe, el interruptor o la aspiradora con las manos mojadas.
- Desenchufe la aspiradora antes de hacerle servicio de ajustes y reparaciones. Si la aspiradora no está funcionando como debería, le faltan piezas, se ha caído, está dañada, se ha dejado a la intemperie o se ha caído al agua, devuélvala a un centro de servicio autorizado o llame a servicio al cliente.
- Cuando utilice un cordón de extensión, utilice únicamente cordones con capacidad nominal para uso a la intemperie que estén en buenas condiciones. No deje que la conexión entre en contacto con líquido.

Para reducir el riesgo de sacudidas eléctricas, este aparato electrodoméstico tiene un enchufe polarizado. Este enchufe entrará en un tomacorriente polarizado solamente de una manera. Si el enchufe no entra por completo en el tomacorriente, déle la vuelta. Si sigue sin entrar, póngase en contacto con un electricista competente para instalar el tomacorriente adecuado. No haga ningún tipo de cambio en el enchufe.

Después de enchufar el cordón de energía en el tomacorriente, encienda la unidad empujando el interruptor de la posición "O" a la posición "I".

○ = APAGADO | = ENCENDIDO



Funcionamiento (continuación)

Familiarícese con los accesorios que se incluyen con la aspiradora. Cada accesorio puede usarse de diversas maneras para aspirar y soplar residuos. A continuación hay una lista de los accesorios y de sus usos.

Manguera: Proporciona transferencia de capacidad de aspiración o soplado al lugar de trabajo. Proporciona los medios para acoplar los tubos extensores y las boquillas.

Tubos extensores: Estos tubos pueden conectarse entre sí y proporcionan longitud adicional para tener más alcance.

Boquilla utilitaria: Boquilla que se usa en la mayoría de las aplicaciones de aspiración.

Boquilla para mojado: Se utiliza para recoger materiales mojados en superficies lisas con el fin de recoger líquidos y secar la superficie en una sola pasada.

Incluida con números de catálogo selectos:

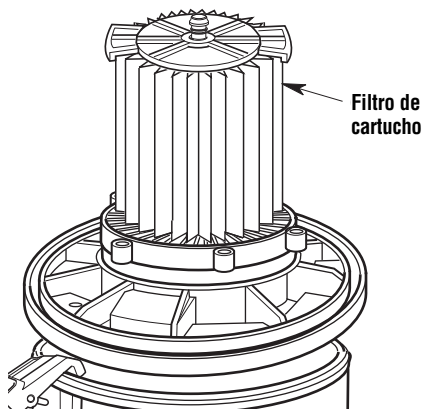
Boquilla para auto: Boquilla de uso general para limpieza detallada.

Recogida de materiales secos con la aspiradora

1. El filtro debe estar siempre en posición correcta, en todo momento, para evitar fugas y posibles daños a la aspiradora.
2. Al utilizar la aspiradora para recoger polvo muy fino, será necesario que usted vacíe el tambor y limpie el filtro a intervalos más frecuentes para mantener un rendimiento óptimo

NOTA: Se necesita un filtro seco para recoger material seco. Si utiliza la aspiradora para recoger polvo cuando el filtro está mojado, éste se atascará rápidamente y será muy difícil limpiarlo.

3. Si el filtro está mojado pero usted necesita usar la aspiradora para recoger material seco, debe dejar primero que el filtro se seque.



Recogida de líquidos con la aspiradora

1. Al recoger pequeñas cantidades de líquido se podrá dejar puesto el filtro.
2. Al recoger grandes cantidades de líquido recomendamos quitar el filtro. Si no se quita el filtro, éste se saturará y podrá aparecer niebla en el escape.

▲ ADVERTENCIA: No utilice la aspiradora sin la jaula del filtro y el flotador, ya que estas piezas evitan que entre líquido en el impulsor y dañe el motor.

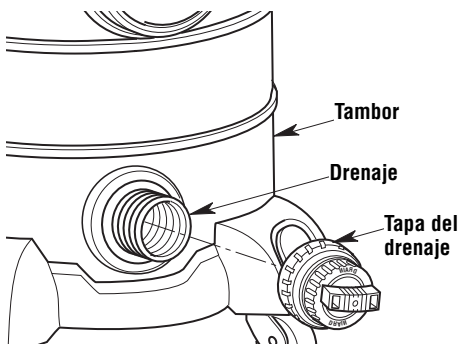
3. Cuando el líquido que se encuentre en el tambor alcance un nivel predeterminado, el mecanismo del flotador subirá automáticamente para cortar el flujo de aire. Sabrá que el flotador ha subido porque el flujo de aire de la aspiradora cesará y subirá el tono del ruido del motor debido a que se producirá un aumento de la velocidad del mismo. Cuando esto suceda, apague la aspiradora, desenchufe el cordón de energía y vacíe el tambor.
4. Después de usar la aspiradora para recoger líquidos, se debe secar el filtro para evitar posible moho y daños al filtro.

Funcionamiento (continuación)

Vaciado del tambor

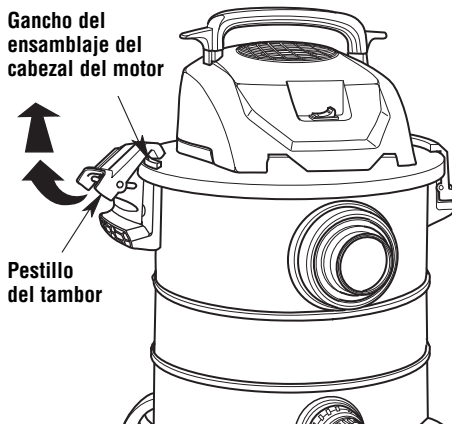
⚠ ADVERTENCIA: Para reducir el riesgo de lesiones debidas a un arranque accidental, desenchufe el cordón de energía antes de vaciar el tambor.

1. La aspiradora viene equipada con un drenaje para vaciarla fácilmente de líquidos. Simplemente desenrosque la tapa del drenaje y levante ligera mente el lado opuesto para vaciar el tambor.



2. Otra opción es retirar el ensamblaje del cabezal del motor. Jale hacia fuera el asa para el pestillo, de manera que el pestillo libere la cubierta del motor, y rote el pestillo alejándolo de dicha cubierta.
3. Levante el ensamblaje del cabezal del motor hacia arriba y hacia afuera del tambor. Deposite el ensamblaje del cabezal del motor en posición invertida sobre una superficie limpia mientras vacía el tambor o cambia el filtro.
4. Vierta el contenido del tambor en el recipiente adecuado de eliminación de residuos.

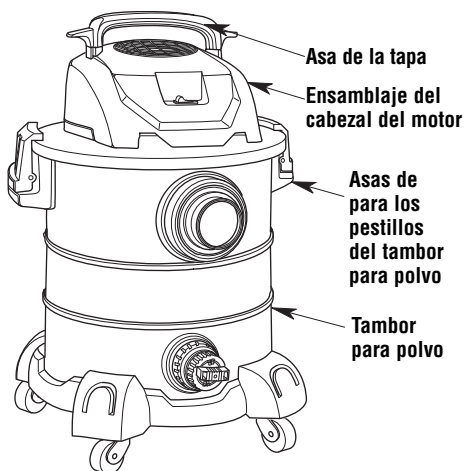
⚠ ADVERTENCIA: Para reducir el riesgo de que se produzcan lesiones en la espalda o caídas, no levante la aspiradora si pesa demasiado debido a que contiene líquido o residuos. Saque o haga salir una cantidad suficiente del contenido para hacer que la aspiradora sea suficientemente liviana como para poder levantarla cómodamente.



Traslado de la aspiradora para mojado/seco

Si fuera necesario levantar la aspiradora para moverla, utilice las asas para los pestillos del tambor para polvo ubicadas en la parte inferior de los pestillos.

Para maniobrar la aspiradora se deberá usar el asa de transporte ubicada sobre el ensamblaje del cabezal del motor.



Funcionamiento (continuación)

Dispositivo de soplado

La aspiradora cuenta con "soplado completo". Tiene capacidad para soplar serrín y otros residuos. Siga los pasos que se indican a continuación para utilizar la aspiradora como soplador.

1. Localice el orificio de soplado de la aspiradora.
2. Inserte el extremo más grande de la manguera en el orificio de soplado de la aspiradora.
3. (Opcional) Coloque el tubo extensor en el extremo giratorio de la manguera.
4. Encienda la aspiradora y estará listo para usarla como soplador.

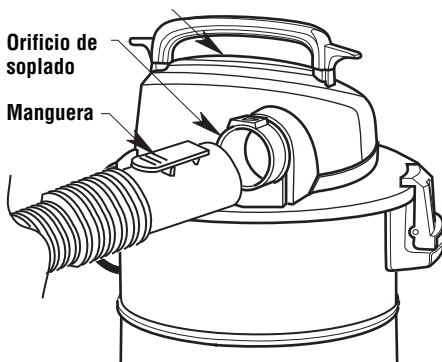
⚠ ADVERTENCIA: Use siempre protectores oculares de seguridad que cumplan con la norma ANSI Z87.1 (o en Canadá, con la norma CSA Z94.3) antes de utilizar la aspiradora como soplador.

⚠ ADVERTENCIA: Para reducir el riesgo de lesiones a las personas que estén presentes, manténgalas alejadas de los residuos soplados.

⚠ PRECAUCIÓN: Use una máscara antipolvo si el soplado genera polvo que podría ser inhalado.

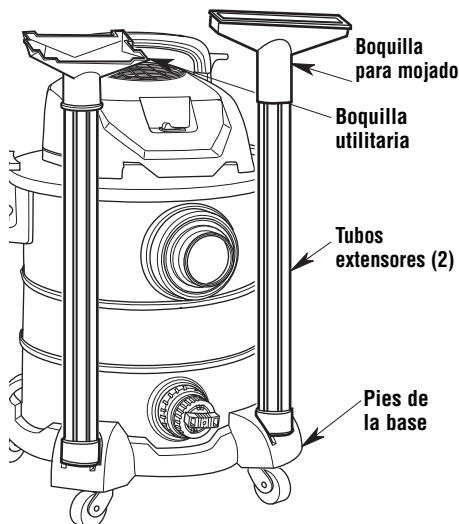
⚠ PRECAUCIÓN: Para reducir el riesgo de daños a la audición, use protectores de oídos cuando utilice la aspiradora/soplador durante muchas horas seguidas o cuando la utilice en un área ruidosa.

Ensamblaje del cabezal del motor



Área de almacenamiento de los accesorios

1. Deslice los tubos extensores como postes de los pies de la base de soporte para almacenarlos.
2. Coloque cada accesorio, boquilla utilitaria y boquilla para mojado, sobre la parte superior de cada tubo extensor para almacenarlos.
3. Para quitar los tubos y los accesorios, gírelos ligeramente y tire de ellos hacia arriba.



Mantenimiento

Remoción e instalación cuando se utiliza el vástago Qwik Lock™

⚠ ADVERTENCIA: Para reducir el riesgo de lesiones debidas a un arranque accidental, desenchufe el cordón de energía antes de cambiar o limpiar el filtro.

Retire el ensamblaje del cabezal del motor para acceder al filtro:

1. Agarre los pestillos del tambor ubicados tanto en el lado derecho como en el lado izquierdo del cabezal del motor. Tire lentamente de los pestillos del tambor alejándolos del tambor. Levante el cabezal del motor hasta separarlo del tambor. Coloque en posición invertida el ensamblaje de la tapa de la aspiradora.

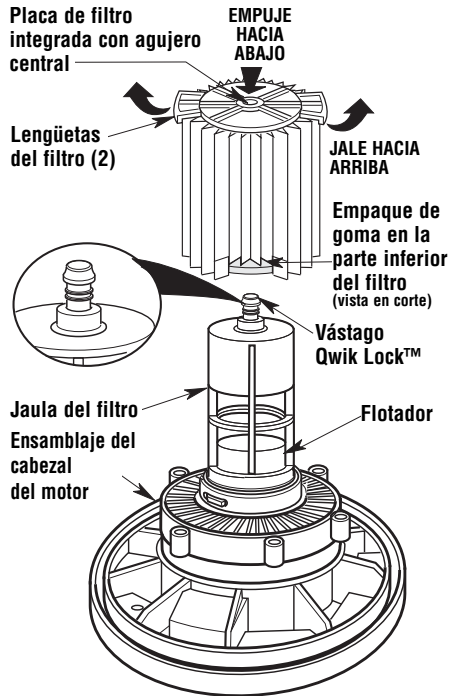
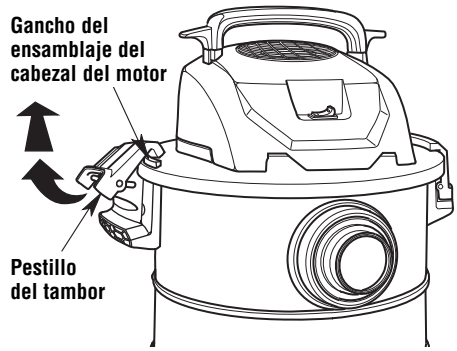
Remoción del filtro:

1. Sostenga las lengüetas del filtro Qwik Lock™ en cada mano.
2. Con un dedo pulgar en el vástago Qwik Lock™, que sobresale a través de la placa del filtro integrada, levante las lengüetas del filtro a la vez que empuja hacia abajo sobre el vástago.
3. Esta acción hará que el filtro se suelte de la jaula del filtro. Deslice el filtro hasta retirarlo de la jaula.

IMPORTANTE: Para evitar daños a la rueda del soplador y al motor, vuelva a instalar siempre el filtro antes de usar la aspiradora para recoger material seco.

Instalación del filtro:

1. Deslice cuidadosamente el filtro Qwik Lock™ sobre la jaula del filtro y presione hacia abajo sobre el borde exterior del filtro hasta que el empaque de goma ubicado en la parte inferior del filtro se asiente firmemente alrededor de la base de la jaula del filtro y contra la tapa.
2. Alinee el agujero central pequeño ubicado en la parte superior del filtro sobre el vástago Qwik Lock™ ubicado en la jaula del filtro. Presione firmemente sobre la parte de arriba del filtro cerca del vástago, para permitir que el filtro se acople a presión sobre la bola ubicada en el extremo del vástago. Una vez hecho esto, el filtro estará instalado.



NOTA: Si no se asienta apropiadamente el empaque inferior, el resultado podría ser que los residuos pasen por alto el filtro.

⚠ ADVERTENCIA: No utilice la aspiradora sin la jaula del filtro y el flotador, ya que estas piezas evitan que entre líquido en el impulsor y dañe el motor.

Mantenimiento (continuación)

⚠ ADVERTENCIA: Para reducir el riesgo de lesiones debidas a un arranque accidental, desenchufe el cordón de energía antes de cambiar o limpiar el filtro.

NOTA: Este filtro está hecho de papel de alta calidad diseñado para detener partículas de polvo muy pequeñas. El filtro se puede usar para recoger material seco o pequeñas cantidades de líquido. Maneje el filtro cuidadosamente al quitarlo para limpiarlo o al instalarlo. Es posible que se produzcan arrugas en los pliegues del filtro, pero dichas arrugas no afectarán el funcionamiento del filtro.

Limpieza del filtro de la aspiradora

El filtro se debe limpiar a menudo para mantener un rendimiento óptimo de la aspiradora.

Limpieza de un filtro seco

1. Se puede lograr una extracción parcial de residuos sin quitar el filtro de la aspiradora. Golpee la parte superior de la tapa con la mano mientras la aspiradora está apagada.
2. Para obtener óptimos resultados de limpieza debido a la acumulación de polvo, limpie el filtro en un área abierta. La limpieza se debe realizar al aire libre y no en el interior de la vivienda.
3. Después de quitar el filtro de la aspiradora, saque los residuos secos golpeando suavemente el filtro contra la pared interior del tambor para polvo. Los residuos se soltarán y caerán.
4. Para una limpieza a fondo del filtro seco con polvo fino (sin residuos), haga pasar agua a través del filtro tal como se describe bajo "Limpieza de un filtro mojado".
5. Asegúrese de secar el filtro antes de guardar la aspiradora o de recoger residuos secos.

Limpieza de un filtro mojado

Después de quitar el filtro, haga pasar agua a través de él usando una manguera o desde una espita. Tenga cuidado de que la presión del agua procedente de la manguera no sea tan fuerte como para dañar el filtro.

IMPORTANTE: Después de limpiar el filtro, compruebe si éste tiene desgarraduras o agujeros pequeños. No use un filtro que tenga agujeros o desgarraduras. Incluso un agujero pequeño puede hacer que se salga mucho polvo de la aspiradora. Cámbielo inmediatamente.

Deje que el filtro se seque antes de volver a instalarlo, guardar la aspiradora o recoger residuos secos.

Limpieza y desinfección de la aspiradora para mojado/seco

Para mantener el mejor aspecto posible de la aspiradora para mojado/seco, limpie su exterior con un paño humedecido con agua templada y un jabón suave.

Para limpiar el tambor:

1. Vacíe de residuos el tambor.
2. Lave a fondo el tambor con agua templada y un jabón suave.
3. Limpie el tambor con un paño seco.

Antes de un almacenamiento prolongado o según sea necesario (por ejemplo, si se recogen aguas residuales), se debe desinfectar el tambor.

Para desinfectar el tambor:

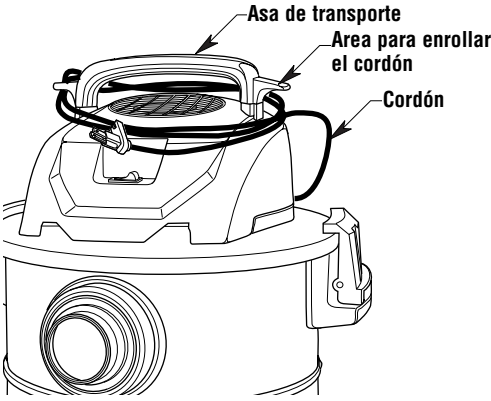
1. Eche 1 galón (4 l) de agua y 1 cucharadita (5 ml) de blanqueador de cloro en el tambor.
2. Deje que la solución repose durante 20 minutos y agítela cuidadosamente cada pocos minutos, asegurándose de mojar todas las superficies interiores del tambor.
3. Vacíe el tambor después de 20 minutos. Enjuáguelo con agua hasta que el olor a blanqueador desaparezca. Deje que el tambor se seque completamente antes de sellar el motor sobre el tambor.

Mantenimiento (continuación)

Almacenamiento

Antes de almacenar la aspiradora, se debe vaciar y limpiar el tambor para polvo. Enrolle el cable de alimentación alrededor del asa de transporte. Los accesorios se deben mantener en la misma área que la aspiradora para que estén al alcance de la mano cuando se necesiten. La aspiradora se debe almacenar en interiores.

Si el cordón de energía está dañado, debe ser reemplazado por el fabricante o su agente de servicio o por personal similarmente calificado, para reducir el riesgo de accidente.



Ruedecillas

Si las ruedecillas hacen ruido, puede poner una gota de aceite en el eje del rodillo para que hagan menos ruido.

⚠ ADVERTENCIA: Para garantizar la **SEGURIDAD** y **CONFIABILIDAD** del producto, cualquier otro mantenimiento, reparación o ajuste deberá ser realizado por centros de servicio Autorizados, utilizando siempre piezas de repuesto RIDGID.

Piezas de repuesto

Aspiradora para mojado/seco de acero inoxidable de 10 galones / 37 litros Número de modelo WD10500 / WD10600

Las piezas RIDGID se encuentran disponibles en línea conectándose a www.RIDGIDparts.com

Pida siempre por número de pieza —no por número de clave


Valores nominales eléctricos:

WD10500 120 V, 9 A, 60 Hz

WD10600 120 V, 10 A, 60 Hz

▲ ADVERTENCIA

SERVICIO DE AJUSTES Y REPARACIONES DE UNA ASPIRADORA PARA MOJADO/SECO CON AISLAMIENTO DOBLE

En una aspiradora para mojado/seco con aislamiento doble se proporcionan dos sistemas de aislamiento en vez de conexión a tierra. No se proporciona ningún medio de conexión a tierra en un aparato electrodoméstico con aislamiento doble, ni se debe añadir a éste ningún medio de conexión a tierra. El servicio de ajustes y reparaciones de una aspiradora para mojado/seco con aislamiento doble requiere extremado cuidado y conocimiento del sistema, y debe ser realizado únicamente por personal de servicio competente. Las piezas de repuesto para la aspiradora para mojado/seco con aislamiento doble deben ser idénticas a las piezas que reemplazan. La aspiradora para mojado/seco con aislamiento doble está marcada con las palabras “DOUBLE INSULATED” (con aislamiento doble) y puede que el símbolo  (un cuadrado dentro de un cuadrado) también esté marcado en los aparatos.

Para reducir el riesgo de lesiones por causa de una descarga eléctrica, desenchufe el cordón de energía antes de realizar servicio de ajustes y reparaciones de las piezas eléctricas de la aspiradora para mojado/seco.

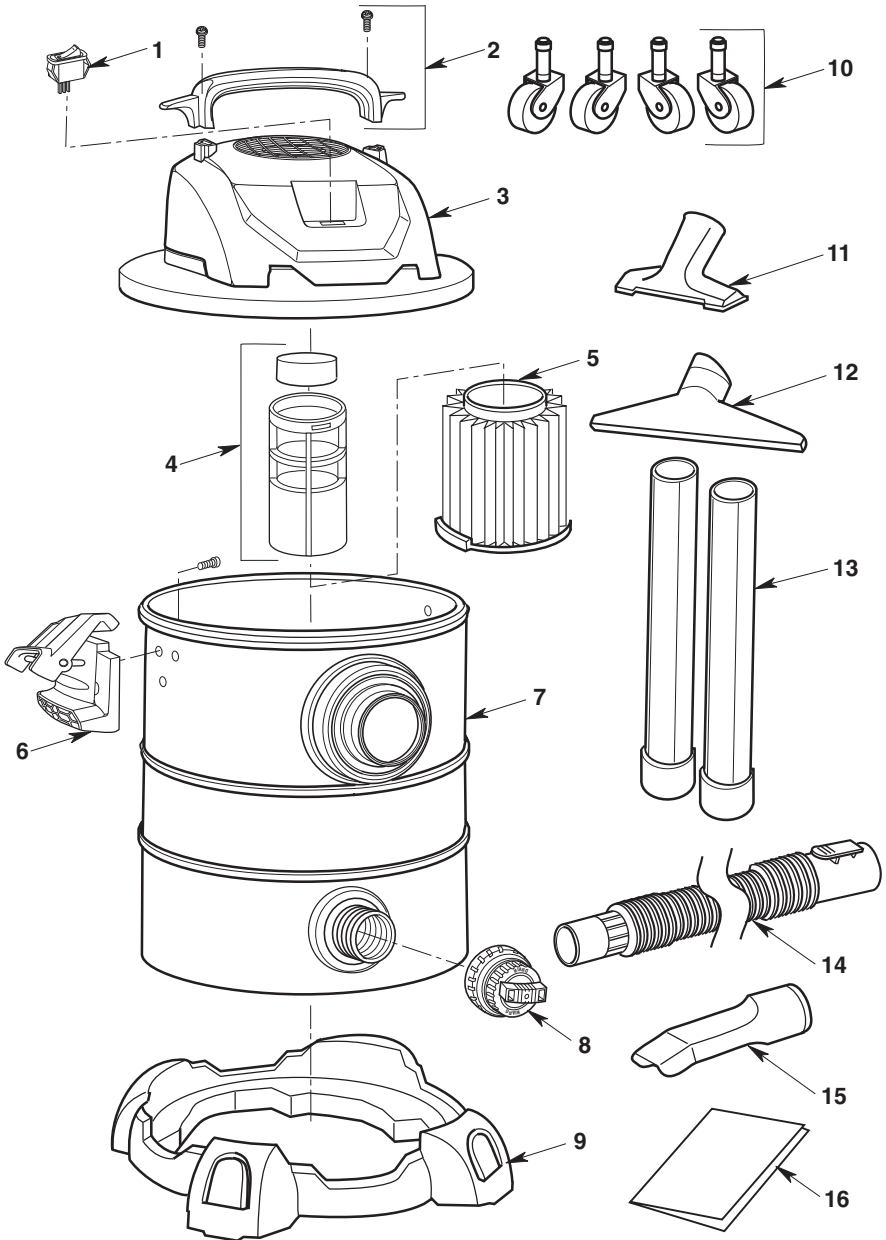
No. de clave	No. de pieza	Descripción
1	832086	Interruptor oscilante
2	840090	Asa de transporte
3	840789	Ensamblaje del cabezal del motor
4	510205	Ensamblaje de la jaula del filtro
4	VF4000	† Filtro de cartucho
5	510277-2	Conjunto del pestillo
6	840092	Ensamblaje y herrajes de pestillo
7	836491	Tambor
8	73185	Tapa del drenaje
9	840091	Base de soporte
10	73137	Ruedecillas (juego de 4)
11	VT2509	† Boquilla utilitaria
12	VT2510	† Boquilla para mojado
13	VT2508	† Tubo de extensión
14	826356-5	† Manguera
15	VT2503	Boquilla para auto (disponible en modelos selectos)
16	SP7001	Manual del usuario

† Estas piezas de repuesto se encuentran disponibles en el establecimiento donde compró la aspiradora.

Piezas de repuesto (continuación)

Aspiradora para mojado/seco de acero inoxidable de 10 galones / 37 litros
Número de modelo WD10500 / WD10600

Las piezas RIDGID se encuentran disponibles en línea conectándose a www.RIDGIDparts.com





Símbolo de calidad, durabilidad y confiabilidad

- **Qué está cubierto**

Se garantiza que las aspiradoras para mojado/seco RIDGID® están libres de defectos de fabricación y de materiales.

- **Cuánto dura la cobertura**

Esta garantía dura toda la vida de las aspiradoras para mojado/seco RIDGID®.

- **Cómo puede obtener servicio**

Para obtener el beneficio de esta garantía, envíe el producto completo mediante transporte prepagado a RIDGE TOOL COMPANY, Elyria, Ohio, o a cualquier CENTRO DE SERVICIO INDEPENDIENTE RIDGID®. Las llaves para tubos y otras herramientas de mano deben devolverse al establecimiento de compra.

- **Qué haremos para corregir los problemas**

Las aspiradoras para mojado/seco garantizadas serán reparadas o reemplazadas, a opción de Ridge Tool Company, y serán devueltas sin cargo; o si después de tres intentos de reparar o reemplazar la aspiradora para mojado/seco durante el período de garantía ésta aún presenta defectos, usted puede optar por recibir un reembolso completo de su precio de compra.

- **Qué no está cubierto**

Las averías debidas a uso incorrecto, abuso o desgaste por el uso normal no están cubiertas por esta garantía. **RIDGE TOOL NO SERÁ RESPONSABLE DE NINGÚN DAÑO FORTUITO NI EMERGENTE.**

- **Cómo se relaciona la ley local con la garantía**

Algunos estados no permiten la exclusión o limitación de los daños fortuitos o emergentes, por lo que es posible que la limitación o exclusión que antecede no tenga aplicación en su caso. Esta garantía le confiere a usted derechos específicos y es posible que también tenga otros derechos, que varían de un estado a otro, una provincia a otra o un país a otro.

- **Ninguna otra garantía expresa tiene aplicación**

Esta GARANTÍA COMPLETA DE POR VIDA es la garantía única y exclusiva de las aspiradoras para mojado/seco RIDGID®. Ningún empleado, agente, distribuidor u otra persona está autorizado a alterar esta garantía ni a dar ninguna otra garantía en nombre de Ridge Tool Company.

No. de existencias WS1050, No. de modelo WD10500

No. de existencias WS1060, No. de modelo WD10600

Número de serie

Los números de modelo y de serie se pueden encontrar en la etiqueta ubicada cerca de la entrada del cordón de la aspiradora. Debe anotar tanto el número de modelo como el de serie en un lugar seguro para uso futuro.

¿PREGUNTAS O COMENTARIOS? COMUNÍQUESE CON NOSOTROS EN

**1-800-4-RIDGID (1-800-474-3443) desde los EE.UU. y Canadá
01-800-701-9811 desde México**

www.RIDGIDvacs.com

Por favor, tenga a mano su número de modelo y número de serie cuando llame.



EMERSON™
www.RIDGID.com

© 2016 Emerson