

# OPERATOR'S MANUAL

3 in. x 18 in. BELT SANDER

VARIABLE SPEED DOUBLE INSULATED

## MANUEL D'UTILISATION

PONCEUSE À BANDE DE 76 x 457 mm (3 x 18 po)

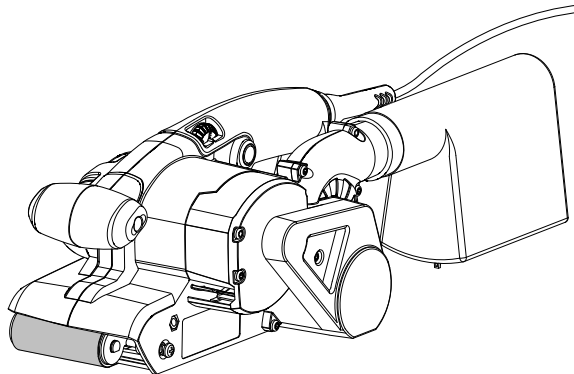
VITESSE VARIABLE DOUBLE ISOLATION

## MANUAL DEL OPERADOR

LIJADORA DE BANDA DE 76 x 457 mm (3 x 18 pulg.)

VELOCIDAD VARIABLE DOBLE AISLAMIENTO

R2740



To register your RIDGID product, please visit:  
<http://register.RIDGID.com>

Pour enregistrer votre produit de RIDGID, s'il vous plaît la visite:  
<http://register.RIDGID.com>

Para registrar su producto de RIDGID, por favor visita:  
<http://register.RIDGID.com>

Your belt sander has been engineered and manufactured to our high standards for dependability, ease of operation, and operator safety. When properly cared for, it will give you years of rugged, trouble-free performance.

### **⚠ WARNING:**

To reduce the risk of injury, the user must read and understand the operator's manual before using this product.

Thank you for buying a RIDGID® product.

## SAVE THIS MANUAL FOR FUTURE REFERENCE

Cette ponceuse à bande a été conçue et fabriquée conformément à nos strictes normes de fiabilité, simplicité d'emploi et sécurité d'utilisation. Correctement entretenue, elle vous donnera des années de fonctionnement robuste et sans problème.

### **⚠ AVERTISSEMENT :**

Pour réduire les risques de blessures, l'utilisateur doit lire et veiller à bien comprendre le manuel d'utilisation avant d'utiliser ce produit.

Merci d'avoir acheté un produit RIDGID®.

**CONSERVER CE MANUEL POUR  
FUTURE RÉFÉRENCE**

Su lijadora de banda ha sido diseñada y fabricada de conformidad con nuestras estrictas normas para brindar fiabilidad, facilidad de uso y seguridad para el operador. Con el debido cuidado, le brindará muchos años de sólido y eficiente funcionamiento.

### **⚠ ADVERTENCIA:**

Para reducir el riesgo de lesiones, el usuario debe leer y comprender el manual del operador antes de usar este producto.

Le agradecemos la compra de un producto RIDGID®.

**GUARDE ESTE MANUAL PARA  
FUTURAS CONSULTAS**

# TABLE OF CONTENTS

## TABLE DES MATIÈRES / ÍNDICE DE CONTENIDO

---

■ Introduction .....	2
Introduction / Introducción	
■ General Power Tool Safety Warnings .....	3-4
Règles de sécurité relatives aux outils électriques / Advertencias de seguridad para herramientas eléctricas	
■ Belt Sander Saw Safety Rules .....	4
Avertissements de sécurité relatifs du ponceuse à bande / Advertencias de seguridad lijadora de bandar	
■ Symbols .....	5
Symboles / Símbolos	
■ Electrical .....	6
Caractéristiques électriques / Aspectos eléctricos	
■ Features .....	7
Caractéristiques / Características	
■ Assembly .....	7
Assemblage / Armado	
■ Operation .....	8-10
Utilisation / Funcionamiento	
■ Adjustments .....	11
Réglages / Ajustes	
■ Maintenance .....	11-12
Entretien / Mantenimiento	
■ Warranty .....	13
Garantie / Garantía	
■ Figure numbers (illustrations) .....	14-15
Figure numéros (illustrations) / Figura numeras (ilustraciones)	
■ Parts Ordering and Service .....	Back Page
Commande de pièces et réparation / Pedidos de piezas y servicio .....	Page arrière / Pág. posterior

## INTRODUCTION

### INTRODUCCIÓN

---

This product has many features for making its use more pleasant and enjoyable. Safety, performance, and dependability have been given top priority in the design of this product making it easy to maintain and operate.

\* \* \*

Ce produit offre de nombreuses fonctions destinées à rendre son utilisation plus plaisante et satisfaisante. Lors de la conception de ce produit, l'accent a été mis sur la sécurité, les performances et la fiabilité, afin d'en faire un outil facile à utiliser et à entretenir.

\* \* \*

Este producto ofrece numerosas características para hacer más agradable y placentero su uso. En el diseño de este producto se ha conferido prioridad a la seguridad, el desempeño y la fiabilidad, por lo cual se facilita su manejo y mantenimiento.

# GENERAL POWER TOOL SAFETY WARNINGS

## WARNING

Read all safety warnings and all instructions. Failure to follow the warnings and instructions may result in electric shock, fire and/or serious injury.

**Save all warnings and instructions for future reference.** The term “power tool” in the warnings refers to your mains-operated (corded) power tool or battery-operated (cordless) power tool.

## WORK AREA SAFETY

- **Keep work area clean and well lit.** Cluttered or dark areas invite accidents.
- **Do not operate power tools in explosive atmospheres, such as in the presence of flammable liquids, gases or dust.** Power tools create sparks which may ignite the dust or fumes.
- **Keep children and bystanders away while operating a power tool.** Distractions can cause you to lose control.

## ELECTRICAL SAFETY

- **Power tool plugs must match the outlet. Never modify the plug in any way. Do not use any adapter plugs with earthed (grounded) power tools.** Unmodified plugs and matching outlets will reduce risk of electric shock.
- **Avoid body contact with earthed or grounded surfaces such as pipes, radiators, ranges and refrigerators.** There is an increased risk of electric shock if your body is earthed or grounded.
- **Do not expose power tools to rain or wet conditions.** Water entering a power tool will increase the risk of electric shock.
- **Do not abuse the cord. Never use the cord for carrying, pulling or unplugging the power tool. Keep cord away from heat, oil, sharp edges or moving parts.** Damaged or entangled cords increase the risk of electric shock.
- **When operating a power tool outdoors, use an extension cord suitable for outdoor use.** Use of a cord suitable for outdoor use reduces the risk of electric shock.
- **If operating a power tool in a damp location is unavoidable, use a ground fault circuit interrupter (GFCI) protected supply.** Use of a GFCI reduces the risk of electric shock.

## PERSONAL SAFETY

- **Stay alert, watch what you are doing and use common sense when operating a power tool. Do not use a power tool while you are tired or under the influence of drugs, alcohol or medication.** A moment of inattention while operating power tools may result in serious personal injury.
- **Use personal protective equipment. Always wear eye protection.** Protective equipment such as dust mask, non-skid safety shoes, hard hat, or hearing protection used for appropriate conditions will reduce personal injuries.

- **Prevent unintentional starting. Ensure the switch is in the off-position before connecting to power source and/or battery pack, picking up or carrying the tool.** Carrying power tools with your finger on the switch or energising power tools that have the switch on invites accidents.
- **Remove any adjusting key or wrench before turning the power tool on.** A wrench or a key left attached to a rotating part of the power tool may result in personal injury.
- **Do not overreach. Keep proper footing and balance at all times.** This enables better control of the power tool in unexpected situations.
- **Dress properly. Do not wear loose clothing or jewellery. Keep your hair, clothing and gloves away from moving parts.** Loose clothes, jewellery or long hair can be caught in moving parts.
- **If devices are provided for the connection of dust extraction and collection facilities, ensure these are connected and properly used.** Use of dust collection can reduce dust-related hazards.
- **Do not wear loose clothing or jewelry. Contain long hair.** Loose clothes, jewelry, or long hair can be drawn into air vents.
- **Do not use on a ladder or unstable support.** Stable footing on a solid surface enables better control of the power tool in unexpected situations.

## POWER TOOL USE AND CARE

- **Do not force the power tool. Use the correct power tool for your application.** The correct power tool will do the job better and safer at the rate for which it was designed.
- **Do not use the power tool if the switch does not turn it on and off.** Any power tool that cannot be controlled with the switch is dangerous and must be repaired.
- **Disconnect the plug from the power source and/or the battery pack from the power tool before making any adjustments, changing accessories, or storing power tools.** Such preventive safety measures reduce the risk of starting the power tool accidentally.
- **Store idle power tools out of the reach of children and do not allow persons unfamiliar with the power tool or these instructions to operate the power tool.** Power tools are dangerous in the hands of untrained users.
- **Maintain power tools. Check for misalignment or binding of moving parts, breakage of parts and any other condition that may affect the power tool's operation. If damaged, have the power tool repaired before use.** Many accidents are caused by poorly maintained power tools.
- **Keep cutting tools sharp and clean.** Properly maintained cutting tools with sharp cutting edges are less likely to bind and are easier to control.

# GENERAL POWER TOOL SAFETY WARNINGS

---

- Use the power tool, accessories and tool bits etc. in accordance with these instructions, taking into account the working conditions and the work to be performed. Use of the power tool for operations different from those intended could result in a hazardous situation.

## SERVICE

- Have your power tool serviced by a qualified repair person using only identical replacement parts. This will ensure that the safety of the power tool is maintained.
- When servicing a power tool, use only identical replacement parts. Follow instructions in the Maintenance section of this manual. Use of unauthorized parts or failure to follow Maintenance instructions may create a risk of shock or injury.

# BELT SANDER SAFETY WARNINGS

---

- Hold power tool by insulated gripping surfaces, because the belt may contact its own cord. Cutting a “live” wire may make exposed metal parts of the tool “live” and could give the operator an electric shock.
- Know your power tool. Read operator’s manual carefully. Learn its applications and limitations, as well as the specific potential hazards related to this power tool. Following this rule will reduce the risk of electric shock, fire, or serious injury.
- Always wear safety glasses. Everyday eyeglasses have only impact-resistant lenses; they are NOT safety glasses. Following this rule will reduce the risk of serious personal injury.
- Protect your lungs. Wear a face or dust mask if the operation is dusty. Following this rule will reduce the risk of serious personal injury.
- Protect your hearing. Wear hearing protection during extended periods of operation. Following this rule will reduce the risk of serious personal injury.
- Inspect power tool cords periodically and, if damaged, have repaired at your nearest Authorized Service Center. Constantly stay aware of cord location. Following this rule will reduce the risk of electric shock or fire.
- Check damaged parts. Before further use of the power tool, a guard or other part that is damaged should be carefully checked to determine that it will operate

properly and perform its intended function. Check for alignment of moving parts, binding of moving parts, breakage of parts, mounting, and any other conditions that may affect its operation. A guard or other part that is damaged should be properly repaired or replaced by an Authorized Service Center. Following this rule will reduce the risk of shock, fire, or serious injury.

- Make sure your extension cord is in good condition. When using an extension cord, be sure to use one heavy enough to carry the current your product will draw. A wire gauge size (A.W.G.) of at least 14 is recommended for an extension cord 50 feet or less in length. A cord exceeding 100 feet is not recommended. If in doubt, use the next heavier gauge. The smaller the gauge number, the heavier the cord. An undersized cord will cause a drop in line voltage resulting in loss of power and overheating.
- Inspect for and remove all nails from lumber before using this power tool. Following this rule will reduce the risk of serious personal injury.
- If the power supply cord is damaged, it must be replaced only by the manufacturer or by an authorized service center to avoid risk.
- Save these instructions. Refer to them frequently and use them to instruct others who may use this power tool. If you loan someone this power tool, loan them these instructions also.

## CALIFORNIA PROPOSITION 65

---

### WARNING:

This product and some dust created by power sanding, sawing, grinding, drilling, and other construction activities may contain chemicals, including lead, known to the State of California to cause cancer, birth defects, or other reproductive harm. **Wash hands after handling.**




Some examples of these chemicals are:

- lead from lead-based paints,
- crystalline silica from bricks and cement and other masonry products and,
- arsenic and chromium from chemically treated lumber.






Your risk from exposure to these chemicals varies, depending on how often you do this type of work. To reduce your exposure, work in a well-ventilated area and with approved safety equipment, such as dust masks that are specially designed to filter out microscopic particles.

# SYMBOLS

The following signal words and meanings are intended to explain the levels of risk associated with this product.

SYMBOL	SIGNAL	MEANING
	<b>DANGER:</b>	Indicates an imminently hazardous situation, which, if not avoided, will result in death or serious injury.
	<b>WARNING:</b>	Indicates a potentially hazardous situation, which, if not avoided, could result in death or serious injury.
	<b>CAUTION:</b>	Indicates a potentially hazardous situation, which, if not avoided, may result in minor or moderate injury.
	<b>NOTICE:</b>	(Without Safety Alert Symbol) Indicates important information not related to an injury hazard, such as a situation that may result in property damage.

Some of the following symbols may be used on this product. Please study them and learn their meaning. Proper interpretation of these symbols will allow you to operate the product better and safer.

SYMBOL	NAME	DESIGNATION/EXPLANATION
	Safety Alert	Indicates a potential personal injury hazard.
	Read Operator's Manual	To reduce the risk of injury, user must read and understand operator's manual before using this product.
	Eye Protection	Always wear eye protection with side shields marked to comply with ANSI Z87.1.
	Wet Conditions Alert	Do not expose to rain or use in damp locations.
V	Volts	Voltage
A	Amperes	Current
Hz	Hertz	Frequency (cycles per second)
W	Watt	Power
min	Minutes	Time
~	Alternating Current	Type of current
$n_0$	No Load Speed	Rotational speed, at no load
	Class II Tool	Double-insulated construction
.../min	Per Minute	Revolutions, strokes, surface speed, orbits etc., per minute

# ELECTRICAL

## DOUBLE INSULATION

Double insulation is a concept in safety in electric power tools, which eliminates the need for the usual three-wire grounded power cord. All exposed metal parts are isolated from the internal metal motor components with protecting insulation. Double insulated tools do not need to be grounded.

### **WARNING:**

The double insulated system is intended to protect the user from shock resulting from a break in the tool's internal wiring. Observe all normal safety precautions to avoid electrical shock.

**NOTE:** Servicing of a tool with double insulation requires extreme care and knowledge of the system and should be performed only by a qualified service technician. For service, we suggest you return the tool to your nearest authorized service center for repair. Always use original factory replacement parts when servicing.

## ELECTRICAL CONNECTION

This product has a precision-built electric motor. It should be connected to a **power supply that is 120 volts, 60 Hz, AC only (normal household current)**. Do not operate this tool on direct current (DC). A substantial voltage drop will cause a loss of power and the motor will overheat. If your tool does not operate when plugged into an outlet, double-check the power supply.

## EXTENSION CORDS

When using a power tool at a considerable distance from a power source, be sure to use an extension cord that has the capacity to handle the current the tool will draw. An undersized cord will cause a drop in line voltage, resulting in overheating and loss of power. Use the chart to determine the minimum wire size required in an extension cord. Only round jacketed cords listed by Underwriter's Laboratories (UL) should be used.

When working outdoors with a tool, use an extension cord that is designed for outside use. This type of cord is designated with "WA" or "W" on the cord's jacket.

Before using any extension cord, inspect it for loose or exposed wires and cut or worn insulation.

\*\*Ampere rating (on tool data plate)

	0-2.0	2.1-3.4	3.5-5.0	5.1-7.0	7.1-12.0	12.1-16.0
<b>Cord Length</b>	<b>Wire Size (A.W.G.)</b>					
25'	16	16	16	16	14	14
50'	16	16	16	14	14	12
100'	16	16	14	12	10	—

\*\*Used on 12 gauge - 20 amp circuit.

**NOTE:** AWG = American Wire Gauge

### **WARNING:**

Keep the extension cord clear of the working area. Position the cord so that it will not get caught on lumber, tools or other obstructions while you are working with a power tool. Failure to do so can result in serious personal injury.

### **WARNING:**

Check extension cords before each use. If damaged replace immediately. Never use tool with a damaged cord since touching the damaged area could cause electrical shock resulting in serious injury.

# FEATURES

---

## PRODUCT SPECIFICATIONS

Belt Size .....3 in. x 18 in.  
Sanding Surface..... 17.5 sq. in.  
No Load Speed ..... 400 - 950 ft./min.

Input .....120 V, 60 Hz, AC only, 6.5 Amps  
Net Weight..... 5.8 lbs.

## KNOW YOUR BELT SANDER

See Figure 1, page 14.

The safe use of this product requires an understanding of the information on the tool and in this operator's manual as well as a knowledge of the project you are attempting. Before use of this product, familiarize yourself with all operating features and safety rules.

### BELT TENSION RELEASE LEVER

The tension release lever aids in quick and easy belt changes.

### DUST BAG

The dust bag attaches to the sander and keeps dust to a minimum.

### ERGONOMIC DESIGN

The design provides for easy handling. It is designed for comfort and ease of operation in different positions and at different angles.

## LOCK-ON BUTTON

The lock-on feature allows you to lock the switch trigger in the **ON** position. Locking the switch trigger on allows you to operate the sander for extended periods of time.

## SWITCH TRIGGER

To turn the sander **ON**, depress the switch trigger. Release switch trigger to turn your sander **OFF**.

## TRACKING SCREW

The tracking screw allows you to easily adjust the belt tracking.

## VARIABLE SPEED CONTROL DIAL

The variable speed control feature allows the sander to develop a no load speed that can be adjusted from 400 to 950 feet/min. by rotating the dial from **A (slowest)** to **F (fastest)**.

# ASSEMBLY

---

## UNPACKING

This product has been shipped completely assembled.

- Carefully remove the product and any accessories from the box. Make sure that all items listed in the packing list are included.

---

### WARNING:

Do not use this product if it is not completely assembled or if any parts appear to be missing or damaged. Use of a product that is not properly and completely assembled could result in serious personal injury.

- 
- Inspect the product carefully to make sure no breakage or damage occurred during shipping.
  - Do not discard the packing material until you have carefully inspected and satisfactorily operated the product.
  - If any parts are damaged or missing, please call 1-866-539-1710 for assistance.

## PACKING LIST

Variable Speed Belt Sander  
Dust Collection Bag  
Sanding Belt  
Operator's Manual

---

### WARNING:

If any parts are damaged or missing do not operate this product until the parts are replaced. Use of this product with damaged or missing parts could result in serious personal injury.

---

### WARNING:

Do not attempt to modify this product or create accessories not recommended for use with this product. Any such alteration or modification is misuse and could result in a hazardous condition leading to possible serious personal injury.

---

### WARNING:

Do not connect to power supply until assembly is complete. Failure to comply could result in accidental starting and possible serious personal injury.

---

# OPERATION

## **WARNING:**

Do not allow familiarity with products to make you careless. Remember that a careless fraction of a second is sufficient to inflict serious injury.

## **WARNING:**

Always wear eye protection marked to comply with ANSI Z87.1. Failure to do so could result in objects being thrown into your eyes resulting in possible serious injury.

## **WARNING:**

Do not use any attachments or accessories not recommended by the manufacturer of this product. The use of attachments or accessories not recommended can result in serious personal injury.

## **WARNING:**

Before connecting the sander to a power supply, make sure it is not in the locked-on position. Failure to do so could result in accidental starting of the tool resulting in serious injury.

## APPLICATIONS

You may use this product for the purposes listed below:

- Sanding wood, metals, and plastics
- Smoothing rough boards, chamfering, rounding edges
- Removing rust, paint, varnishes, and stains

## **WARNING:**

If your sanding job becomes dusty or if you have a breathing condition, wear a dust mask or respirator to prevent damage to your health.

## SELECTING SANDING BELTS

Selecting the correct size and type of sanding belt is an important step in achieving a high quality sanded finish. Aluminum oxide, silicon carbide, and other synthetic abrasives are best for power sanding.

In general, when sanding, coarse grit removes the most material and fine grit produces the best finish. The condition of the surface to be sanded determines which grit will do the best job. If the surface is rough, start with a coarse grit and sand until the surface is uniform. Then use medium grit to remove scratches left by the coarser grit. Finally, use finer grit for finishing the surface. Always continue sanding with each grit until the surface is uniform.

## SETTING THE BELT SANDER SPEED

Refer to the chart below for belt sander speed selections.

MATERIAL	SPEED						BELT GRIT					
	A	B	C	D	E	F	40	60	80	100	150	240
UNDRESSED LUMBER					★	★	●	●				
SOFTWOOD		★								●	●	
CHIPBOARD				★	★			●	●			
LUMBER	★	★										●
RUST REMOVAL			★	★			●	●				
PAINTED SURFACE					★	★	●	●				
NON-FERROUS METAL			★						●	●		



# OPERATION

---

## VARIABLE SPEED CONTROL DIAL

See Figure 2, page 14.

The sander has a variable speed control dial, **A (slowest)** to **F (fastest)**, designed to allow operator control of belt speed. To increase belt speed, turn the variable speed control dial to a higher setting. Turn to a lower setting to decrease belt speed. Refer to the chart on page 9 for proper speed selections.

## PROPER HAND PLACEMENT

See Figure 3, page 14.

The front and rear handles allow two-handed operation which aids in maintaining control, keeping sander level with workpiece, and keeping hands clear of sanding belt. When carrying or operating the sander always hold the front handle with the left hand and the rear handle with the right hand as shown.

---

### **WARNING:**

Keep hands and fingers clear of moving sanding belt, front pulley, and drive roller assembly. Failure to do so will result in the sanding of the hands or fingers possibly causing serious injury.

---

---

### **WARNING:**

Do not let your fingers rest over the front or right edge of the sander. If the sanding belt were to run off, or if it were not properly adjusted, your fingers could come in contact with the moving sanding belt resulting in possible serious injury.

---

## TURNING ON/OFF THE SANDER

See Figure 4, page 14.

- To turn on the sander: Depress the switch trigger.
- To turn off the sander: Release the switch trigger.

## SOFT START FEATURE

Soft start is a feature whereby the motor gradually ramps up to the selected top speed. For example, when a speed is selected with the speed limiting dial and the sander is stopped and then activated again, the sander will gradually ramp up to the previous speed setting once the switch trigger is pressed again.

## TO INSTALL/CHANGE SANDING BELT

See Figures 5 - 6, page 14.

- Unplug the sander.
- Position sander as shown.

---

### **WARNING:**

Keep hands and fingers clear of front roller and spring mechanism at all times. Failure to do so could result in fingers getting pinched, causing possible serious injury.

---

Belt tension must be released in order to install and remove sanding belt:

- Release belt tension by lifting tension release lever.
- Install sanding belt; make sure arrow inside of belt is pointing in the direction of rotation, which is clockwise when looking into open side of sander.

**NOTE:** Match the arrow on the sanding belt to that of the housing.

---

### **CAUTION:**

If the sanding belt is not a bidirectional belt, ensure that the arrow inside the belt is pointing in the direction of the rotation (clockwise when looking into the open side of the sander). Installing unidirectional sanding belts backwards can create a hazardous condition.

---

- Align the sanding belt to its correct position.
- Lower tension release lever to secure the sanding belt.

**NOTE:** This sander is equipped with automatic tracking, which in most instances will cause the sanding belt to remain centered. If the sanding belt does not stay in the center area, manual adjustment of the belt tracking may be necessary. To manually adjust, see **Manually Adjusting Sanding Belt Tracking** in the *Adjustments* section of this manual.

## LOCKING ON THE SANDER

See Figure 7, page 15.

The lock-on feature allows you to lock the switch trigger in the **ON** position. Locking the switch trigger on allows you to operate the sander for extended periods of time.

If you have the lock-on feature engaged during use and the sander is accidentally disconnected from the power supply, disengage the lock-on feature immediately. Also, do not lock the switch trigger if you might need to suddenly stop the sander.

**To lock-on the sander:**

- Depress the switch trigger.
- Push in the lock-on button.
- Release the switch trigger.
- Release the lock-on button.

**NOTE:** To release the lock, depress and release the switch trigger.

# OPERATION

---

## OPERATING THE SANDER

See Figure 8, page 15.

Clamp or otherwise secure the work to prevent it from moving under the sander.

---

### **WARNING:**

Unsecured work could be thrown back toward operator causing injury.

---

Before placing sander on work surface, squeeze the switch trigger and let the motor reach its maximum speed, then lower the sander to the work surface with a slight forward motion. Using the rear handle to control the sander and the front handle only to guide it, move it slowly over the work. Allowing the sander to remain in one place will result in an uneven surface.

---

### **WARNING:**

Keep a firm grip on sander with both hands at all times. Failure to do so could result in loss of control leading to possible serious injury.

---

The sander was designed to provide the proper weight on the sanding belt.

#### **Excessive pressure will result in the following:**

- Uneven work.
- Clogged sanding belts.
- Premature sanding belt wear. Removal rate will **not** increase.
- Motor damage.
- Irregular sanding belt tracking.

**NOTE:** If the sanding belt moves while sanding, you may be applying too much pressure. When this occurs, remove sander from workpiece. If belt tracking is properly adjusted, sanding belt will return to its normal and correct position on the drive roller and front roller.

Use a coarser belt when heavy sanding is desired, not heavy pressure. The importance of this cannot be over-emphasized. Weight has been built into the tool to give the most efficient pressure at the proper location.

**NOTE:** The front roller of the sander was not designed for contour sanding. Sanding on the front roller could cause irregularity in sanding belt tracking and will damage the front roller.

---

### **CAUTION:**

Sanding on the front roller may cause the tool to kickback toward the operator, creating a risk of possible injury.

---

---

### **WARNING:**

The sander is designed to be operated as shown in Figure 8, page 15 with both hands on the tool at all times for maximum control. Never operate the tool overhead or inverted from the proper operating position; serious personal injury may result.

---

---

### **WARNING:**

Do not use the dust collection bag when sanding metal. Using the dust collection bag when sanding metal creates a fire hazard, which could damage the tool and lead to serious personal injury.

---

## DUST BAG

See Figure 9, page 15.

The dust bag provides a dust collection system for the sander. It should be installed over the exhaust hole located on the side of the sander. For more efficient operation, empty dust bag when half full.

**Do not** connect sander to power supply before installing dust bag.

#### **To install/remove dust bag:**

- Unplug the sander.
- Place the opening of dust bag over dust exhaust of the sander.

## EMPTYING THE DUST BAG

See Figure 10, page 15.

For more efficient operation, empty dust bag when no more than half full. This will permit the air to flow through the bag better. Always empty and clean the dust bag thoroughly upon completion of a sanding operation and before placing the sander in storage.

---

### **WARNING:**

Collected sanding dust from sanding surface coatings such as polyurethanes, linseed oil, etc., can self-ignite in the sander dust bag or elsewhere and cause fire. To reduce the risk of fire, always empty the dust bag frequently while sanding. **Never** store or leave a sander without totally emptying its dust bag. Also follow the recommendations of the coatings manufacturers.

---

#### **To empty the dust bag:**

- Unplug the sander.
- Remove dust bag from sander.
- Open zipper.
- Shake out dust.
- Replace dust bag on sander.

# ADJUSTMENTS

---

## MANUALLY ADJUSTING SANDING BELT TRACKING

See Figure 11, page 15.

This sander features an automatic tracking system designed to keep the sanding belt centered. If edge sanding is desired, manual adjustment of the belt will be necessary.

### To manually adjust belt position:

- Connect the sander to power supply.
- Set the variable speed control dial to the lowest setting (A).
- With sander positioned as shown, pull switch trigger.

**NOTE:** This position is for adjustments only. Sanding belt should not be in contact with workpiece or any foreign objects when making belt tracking adjustments.

- Slowly turn the tracking screw clockwise until the sanding belt is positioned at the edge of the platen. Do not allow the sanding belt to extend past the edge of the platen.

---

### **WARNING:**

Keep hands and fingers away from moving sanding belt. Any part of body coming in contact with moving sanding belt could result in serious injury. Do not wear loose clothing or jewelry when operating sander. They could get caught in moving parts and foreign objects could get thrown from sander causing injury.

- 
- When edge sanding is completed, return the belt to the default centered position by turn the tracking screw counterclockwise until the belt is positioned correctly.

# MAINTENANCE

---

---

### **WARNING:**

When servicing use only identical replacement parts. Use of any other parts may create a hazard or cause product damage.

---

### **WARNING:**

Always wear eye protection marked to comply with ANSI Z87.1. Failure to do so could result in objects being thrown into your eyes resulting in possible serious injury.

---

## GENERAL MAINTENANCE

Avoid using solvents when cleaning plastic parts. Most plastics are susceptible to damage from various types of commercial solvents and may be damaged by their use. Use clean cloths to remove dirt, dust, oil, grease, etc.

---

### **WARNING:**

Do not at any time let brake fluids, gasoline, petroleum-based products, penetrating oils, etc., come in contact with plastic parts. Chemicals can damage, weaken or destroy plastic which may result in serious personal injury.

---

Electric tools used on fiberglass material, wallboard, spackling compounds, or plaster are subject to accelerated wear and possible premature failure because the fiberglass chips and grindings are highly abrasive to bearings, brushes, commutators, etc. Consequently, we do not recommended using this tool for extended work on these types of materials. However, if you do work with any of these materials, it is extremely important to clean the tool using compressed air.

## LUBRICATION

All of the bearings in this tool are lubricated with a sufficient amount of high grade lubricant for the life of the unit under normal operating conditions. Therefore, no further lubrication is required.

## BRUSH REPLACEMENT

See Figure 12, page 15.

**NOTE:** This belt sander is equipped with externally accessible brushes.

- Unplug the sander.

---

### **WARNING:**

Failure to unplug the tool could result in accidental starting causing possible serious injury.

- 
- Remove brush caps (2) using a screwdriver.
  - Remove brush assemblies (2).

# MAINTENANCE

---

- Check for wear. Replace both brush assemblies when either has less than 1/4 in. length of carbon remaining.

**NOTE:** Do not replace one side without replacing the other.

- Reassemble using new brush assemblies. Make sure curvature of brush matches curvature of motor and that brush moves freely in brush tube.
- Reassemble by reversing the steps listed above.
- Tighten all brush caps securely. **Do not** over tighten.

## TIMING BELT REPLACEMENT

See Figure 13, page 15.

- Unplug the sander.
- Remove dust bag.
- Remove sanding belt from sander. Follow instructions on page 9 to remove sanding belt.  
**NOTE:** Removing sanding belt will simplify the process of installing a new timing belt.
- Remove belt cover screw and belt cover.

- Force old timing belt from one of the small pulleys with a screwdriver and remove it while turning the large pulley. If it is worn out, simply cut the old timing belt and remove.
- Install new timing belt over large pulley and one of the small pulleys first.
- Press the belt onto the other small pulley, turning the large pulley as you press the belt on.
- Reinstall belt cover and screw.
- Tighten screw securely.
- Reinstall the sanding belt.



### **WARNING:**

Never attempt to operate the belt sander without the belt cover in place.

---

**NOTE: FIGURES (ILLUSTRATIONS) START ON PAGE 14 AFTER FRENCH AND SPANISH LANGUAGE SECTIONS**

# WARRANTY

---

## RIDGID® HAND HELD AND STATIONARY POWER TOOL 3 YEAR LIMITED SERVICE WARRANTY

Proof of purchase must be presented when requesting warranty service.

Limited to RIDGID® hand held and stationary power tools purchased 2/1/04 and after. This product is manufactured by One World Technologies, Inc. The trademark is licensed from RIDGID, Inc. All warranty communications should be directed to One World Technologies, Inc., attn: RIDGID Hand Held and Stationary Power Tool Technical Service at (toll free) 1-866-539-1710.

### 90-DAY SATISFACTION GUARANTEE POLICY

During the first 90 days after the date of purchase, if you are dissatisfied with the performance of this RIDGID® Hand Held and Stationary Power Tool for any reason you may return the tool to the dealer from which it was purchased for a full refund or exchange. To receive a replacement tool you must present proof of purchase and return all original equipment packaged with the original product. The replacement tool will be covered by the limited warranty for the balance of the 3 YEAR service warranty period.

### WHAT IS COVERED UNDER THE 3 YEAR LIMITED SERVICE WARRANTY

This warranty on RIDGID® Hand Held and Stationary Power Tools covers all defects in workmanship or materials and normal wear items such as brushes, chucks, motors, switches, cords, gears and even cordless batteries in this RIDGID® tool for three years following the purchase date of the tool. Warranties for other RIDGID® products may vary.

### HOW TO OBTAIN SERVICE

To obtain service for this RIDGID® tool you must return it; freight prepaid, or take it in to an authorized service center for RIDGID® branded hand held and stationary power tools. You may obtain the location of the authorized service center nearest you by calling (toll free) 1-866-539-1710 or by logging on to the RIDGID® website at [www.ridgid.com](http://www.ridgid.com). When requesting warranty service, you must present the original dated sales receipt. The authorized service center will repair any faulty workmanship, and either repair or replace any part covered under the warranty, at our option, at no charge to you.

### WHAT IS NOT COVERED

This warranty applies only to the original purchaser at retail and may not be transferred. This warranty only covers defects arising under normal usage and does not cover any malfunction, failure or defect resulting from misuse, abuse, neglect, alteration, modification or repair by other than an authorized service center for RIDGID® branded hand held and stationary power tools. Consumable accessories provided with the tool such as, but not limited to, blades, bits and sand paper are not covered.

**RIDGID, INC. AND ONE WORLD TECHNOLOGIES, INC. MAKE NO WARRANTIES, REPRESENTATIONS OR PROMISES AS TO THE QUALITY OR PERFORMANCE OF ITS POWER TOOLS OTHER THAN THOSE SPECIFICALLY STATED IN THIS WARRANTY.**

### ADDITIONAL LIMITATIONS

To the extent permitted by applicable law, all implied warranties, including warranties of MERCHANTABILITY or FITNESS FOR A PARTICULAR PURPOSE, are disclaimed. Any implied warranties, including warranties of merchantability or fitness for a particular purpose, that cannot be disclaimed under state law are limited to three years from the date of purchase. One World Technologies, Inc. and RIDGID, Inc. are not responsible for direct, indirect, incidental or consequential damages. Some states do not allow limitations on how long an implied warranty lasts and/or do not allow the exclusion or limitation of incidental or consequential damages, so the above limitations may not apply to you. This warranty gives you specific legal rights, and you may also have other rights which vary from state to state.

---

**One World Technologies, Inc.**

P.O. Box 35, Hwy. 8  
Pickens, SC 29671

---

# RÈGLES DE SÉCURITÉ RELATIVES AUX OUTILS ÉLECTRIQUES

## AVERTISSEMENT

**Lire tous les avertissements et toutes les instructions.** Ne pas suivre l'ensemble des avertissements et des instructions peut entraîner une électrocution, un incendie ou des blessures graves.

**Conserver les avertissements et les instructions à des fins de référence ultérieure.** Le terme « outil motorisé », utilisé dans tous les avertissements ci-dessous désigne tout outil fonctionnant sur secteur (câblé) ou sur piles (sans fil).

## SÉCURITÉ DU LIEU DE TRAVAIL

- **Garder le lieu de travail propre et bien éclairé.** Les endroits encombrés ou sombres sont propices aux accidents.
- **Ne pas utiliser d'outils électriques dans des atmosphères explosives, par exemple en présence de liquides, gaz ou poussières inflammables.** Les outils électriques produisent des étincelles risquant d'enflammer les poussières ou vapeurs.
- **Garder les enfants et badauds à l'écart pendant l'utilisation d'un outil électrique.** Les distractions peuvent causer une perte de contrôle.

## SÉCURITÉ ÉLECTRIQUE

- **Les fiches des outils électriques doivent correspondre à la prise secteur utilisée. Ne jamais modifier la fiche, de quelque façon que ce soit. Ne jamais utiliser d'adaptateurs de fiche avec des outils mis à la terre.** Les fiches et prises non modifiées réduisent le risque de choc électrique.
- **Éviter tout contact du corps avec des surfaces mises à la terre, telles que tuyaux, radiateurs, cuisinières et réfrigérateurs.** Le risque de choc électrique est accru lorsque le corps est mis à la terre.
- **Ne pas exposer les outils électriques à l'eau ou l'humidité.** La pénétration d'eau dans ces outils accroît le risque de choc électrique.
- **Ne pas maltraiter le cordon d'alimentation. Ne jamais utiliser le cordon d'alimentation pour transporter l'outil et ne jamais débrancher ce dernier en tirant sur le cordon. Garder le cordon à l'écart de la chaleur, de l'huile, des objets tranchants et des pièces en mouvement.** Un cordon endommagé ou emmêlé accroît le risque de choc électrique.
- **Pour les travaux à l'extérieur, utiliser un cordon spécialement conçu à cet effet.** Utiliser un cordon conçu pour l'usage extérieur pour réduire les risques de choc électrique.
- **S'il est nécessaire d'utiliser l'outil électrique dans un endroit humide, employer un dispositif interrupteur de défaut à la terre (GFCI).** L'utilisation d'un GFCI réduit le risque de décharge électrique.

## SÉCURITÉ PERSONNELLE

- **Rester attentif, prêter attention au travail et faire preuve de bon sens lors de l'utilisation de tout outil électrique. Ne pas utiliser cet outil en état de fatigue ou sous l'influence de l'alcool, de drogues ou de médicaments.**

Un moment d'inattention pendant l'utilisation d'un outil électrique peut entraîner des blessures graves.

- **Utiliser l'équipement de sécurité. Toujours porter une protection oculaire.** L'équipement de sécurité, tel qu'un masque filtrant, de chaussures de sécurité, d'un casque ou d'une protection auditive, utilisé dans des conditions appropriées réduira le risque de blessures.
- **Éviter les démarrages accidentels. S'assurer que le commutateur est en position d'arrêt avant de brancher l'outil.** Porter un outil avec le doigt sur son commutateur ou brancher un outil dont le commutateur est en position de marche peut causer un accident.
- **Retirer les clés de réglage avant de mettre l'outil en marche.** Une clé laissée sur une pièce rotative de l'outil peut causer des blessures.
- **Ne pas travailler hors de portée. Toujours se tenir bien campé et en équilibre.** Ceci permettra de mieux contrôler l'outil en cas de situation imprévue.
- **Porter une tenue appropriée. Ne porter ni vêtements amples, ni bijoux. Garder les cheveux, les vêtements et les gants à l'écart des pièces en mouvement.** Les vêtements amples, bijoux et cheveux longs peuvent se prendre dans les pièces en mouvement.
- **Si les outils sont équipés de dispositifs de dépoussiérage, s'assurer qu'ils sont connectés et correctement utilisés.** L'usage de ces dispositifs de dépoussiérage peut réduire les dangers présentés par la poussière.
- **Ne porter ni vêtements amples, ni bijoux. Attacher ou couvrir les cheveux longs.** Les vêtements amples, bijoux et cheveux longs peuvent se prendre dans les ouïes d'aération.
- **Ne pas utiliser l'outil sur une échelle ou un support instable.** Une bonne tenue et un bon équilibre permettent de mieux contrôler l'outil en cas de situation imprévue.

## UTILISATION ET ENTRETIEN DES OUTILS ÉLECTRIQUES

- **Ne pas forcer l'outil. Utiliser l'outil approprié pour l'application.** Un outil approprié exécutera le travail mieux et de façon moins dangereuse s'il est utilisé dans les limites prévues.
- **Ne pas utiliser l'outil si le commutateur ne permet pas de le mettre en marche ou de l'arrêter.** Tout outil qui ne peut pas être contrôlé par son commutateur est dangereux et doit être réparé.
- **Débrancher l'outil et/ou retirer le bloc-piles avant d'effectuer des réglages, de changer d'accessoire ou de remiser l'outil.** Ces mesures de sécurité préventives réduisent les risques de démarrage accidentel de l'outil.
- **Ranger les outils motorisés hors de la portée des enfants et ne laisser personne n'étant pas familiarisé avec l'outil ou ces instructions utiliser l'outil.** Dans les mains de personnes n'ayant pas reçu des instructions adéquates, les outils sont dangereux.
- **Entretien des outils motorisés. Vérifier qu'aucune pièce mobile n'est mal alignée ou bloquée, qu'aucune pièce n'est brisée et s'assurer qu'aucun autre problème ne risque d'affecter le bon fonctionnement de l'outil. En cas de dommages faire réparer l'outil avant de l'utiliser de nouveau.** Beaucoup d'accidents sont causés par des outils mal entretenus.

# RÈGLES DE SÉCURITÉ RELATIVES AUX OUTILS ÉLECTRIQUES

- **Garder les outils bien affûtés et propres.** Des outils correctement entretenus et dont les tranchants sont bien affûtés risquent moins de se bloquer et sont plus faciles à contrôler.
- **Utiliser l'outil, les accessoires et embouts, etc. conformément à ces instructions pour les applications pour lesquelles ils sont conçus, en tenant compte des conditions et du type de travail à exécuter.** L'usage d'un outil motorisé pour des applications pour lesquelles il n'est pas conçu peut être dangereux.

## DÉPANNAGE

- **Les réparations doivent être confiées à un technicien qualifié, utilisant exclusivement des pièces identiques à celles d'origine.** Ceci assurera le maintien de la sécurité de l'outil.
- **Utiliser exclusivement des pièces identiques à celles d'origine pour les réparations. Se conformer aux instructions de la section Entretien de ce manuel.** L'usage de pièces non autorisées ou le non-respect des instructions peut présenter

# AVERTISSEMENTS DE SÉCURITÉ RELATIFS AU PONCEUSE À BANDE

- **Tenir l'outil électrique par ses surfaces de préhension isolées étant donné que la courroie peut entrer en contact avec le cordon d'alimentation de l'outil.** Le fait de couper un fil sous tension « électrifie » les pièces métalliques exposées de l'outil et peut électrocuter l'utilisateur.
- **Apprendre à connaître l'outil. Lire attentivement le manuel d'utilisation. Apprendre les applications et les limites de l'outil, ainsi que les risques spécifiques relatifs à son utilisation.** Le respect de cette consigne réduira les risques d'incendie, de choc électrique et de blessures graves.
- **Toujours porter des lunettes de sécurité. Les lunettes ordinaires sont dotées de verres résistants aux impacts seulement ; ce ne sont PAS des lunettes de sécurité.** Le respect de cette consigne réduira les risques de blessures graves.
- **Protection respiratoire. Porter un masque facial ou un masque anti-poussière si le travail produit de la poussière.** Le respect de cette consigne réduira les risques de blessures graves.
- **Protection auditive. Porter une protection auditive durant les périodes d'utilisation prolongée.** Le respect de cette consigne réduira les risques de blessures graves.
- **Inspecter régulièrement le cordon d'alimentation des outils motorisés. S'ils sont endommagés, les confier au centre de réparations agréé le plus proche. Toujours être conscient de l'emplacement du cordon.** Le respect de cette consigne réduira les risques de choc électrique et d'incendie.
- **Vérifier l'état des pièces. Avant d'utiliser l'outil de nouveau examiner soigneusement les pièces et dispositifs de**

protection qui semblent endommagés afin de déterminer s'ils fonctionnent correctement et s'ils remplissent les fonctions prévues. Vérifier l'alignement des pièces mobiles, s'assurer qu'aucune pièce n'est bloquée ou cassée, vérifier la fixation de chaque pièce et s'assurer qu'aucun autre problème ne risque d'affecter le bon fonctionnement de l'outil. Toute protection ou pièce endommagée doit être correctement réparée ou remplacée dans un centre de réparations agréé. Le respect de cette consigne réduira les risques de choc électrique, d'incendie et de blessures graves.

- **S'assurer que le cordon prolongateur est en bon état. Si un cordon prolongateur est utilisé, s'assurer que sa capacité est suffisante pour supporter le courant de fonctionnement de l'outil. Un calibre de fil (A.W.G) d'au minimum 14 est recommandé pour un cordon prolongateur de 15 m (50 pi) maximum. Un cordon de plus de 30 m (100 pi) est déconseillé. En cas de doute, utiliser un cordon du calibre immédiatement supérieur. Moins le numéro de calibre est élevé, plus la capacité du fil est grande.** Un cordon de capacité insuffisante causerait une baisse de la tension de ligne, entraînant une perte de puissance et une surchauffe.
- **Inspecter la pièce et retirer les clous éventuels avant d'utiliser cet outil.** Le respect de cette consigne réduira les risques de blessures graves.
- **Si le cordon d'alimentation est endommagé, il doit être remplacé uniquement par le fabricant ou par un centre de réparation agréé pour éviter tout risque.**
- **Conserver ces instructions.** Les consulter fréquemment et les utiliser pour instruire les autres utilisateurs éventuels. Si cet outil est prêté, il doit être accompagné de ces instructions.

## PROPOSITION 65 DE L'ÉTAT DE CALIFORNIE

### AVERTISSEMENT :

Ce produit et la poussière dégagée lors du ponçage, sciage, meulage, perçage de certains matériaux et lors d'autres opérations de construction peuvent contenir des produits chimiques, notamment du plomb qui, selon l'État de la Californie, peuvent causer le cancer, des anomalies congénitales et d'autres dommages au système reproducteur. **Bien se laver les mains après toute manipulation.**




Voici certains exemples de ces produits chimiques :

- le plomb contenu dans la peinture au plomb,
- la silice cristalline contenue dans les briques, le béton et d'autres produits de maçonnerie, ainsi que,
- l'arsenic et le chrome contenus dans le bois de construction traité par produits chimiques.






Le risque présenté par l'exposition à ces produits varie en fonction de la fréquence de ce type de travail. Pour réduire l'exposition, travailler dans un endroit bien aéré et utiliser des équipements de sécurité approuvés tels que masques antipoussières spécialement conçus pour filtrer les particules microscopiques.

# SYMBOLES

Les termes de mise en garde suivants et leur signification ont pour but d'expliquer le degré de risques associé à l'utilisation de ce produit.

SYMBOLE	SIGNAL	SIGNIFICATION
	<b>DANGER :</b>	Indique une situation extrêmement dangereuse qui, si elle n'est pas évitée, aura pour conséquences des blessures graves ou mortelles.
	<b>AVERTISSEMENT :</b>	Indique une situation potentiellement dangereuse qui, si elle n'est pas évitée, pourrait entraîner des blessures graves ou mortelles.
	<b>ATTENTION :</b>	Indique une situation potentiellement dangereuse qui, si elle n'est pas évitée, pourrait entraîner des blessures légères ou de gravité modérée.
	<b>AVIS :</b>	(Sans symbole d'alerte de sécurité) Indique une information importante ne concernant pas un risque de blessure comme une situation pouvant occasionner des dommages matériels.

Certains des symboles ci-dessous peuvent être utilisés sur produit. Veiller à les étudier et à apprendre leur signification. Une interprétation correcte de ces symboles permettra d'utiliser produit plus efficacement et de réduire les risques.

SYMBOLE	NOM	DÉSIGNATION / EXPLICATION
	Symbole d'alerte de sécurité	Indique un risque de blessure potentiel.
	Lire le manuel d'utilisation	Pour réduire les risques de blessures, l'utilisateur doit lire et veiller à bien comprendre le manuel d'utilisation avant d'utiliser ce produit.
	Protection oculaire	Toujours porter une protection oculaire avec écrans latéraux certifiée conforme à la norme ANSI Z87.1.
	Avertissement concernant l'humidité	Ne pas exposer à la pluie ou l'humidité.
V	Volts	Tension
A	Ampères	Intensité
Hz	Hertz	Fréquence (cycles par seconde)
W	Watts	Puissance
min	Minutes	Temps
~	Courant continu	Type ou caractéristique du courant
$n_0$	Vitesse à vide	Vitesse de rotation à vide
	Outil de la classe II	Construction à double isolation
.../min	Par minute	Tours, coups, vitesse périphérique, orbites, etc., par minute



# CARACTÉRISTIQUES ÉLECTRIQUES

## DOUBLE ISOLATION

La double isolation est un dispositif de sécurité utilisé sur les outils à moteur électriques, éliminant le besoin de cordon d'alimentation habituel à trois fils avec terre. Toutes les pièces métalliques exposées sont isolées des composants internes du moteur par l'isolation protectrice. Les outils à double isolation ne nécessitent pas de mise à la terre.

### AVERTISSEMENT :

Le système à double isolation est conçu pour protéger l'utilisateur contre les chocs électriques causés par une rupture du câblage interne de l'outil. Prendre toutes les précautions de sécurité normales pour éviter les chocs électriques.

**NOTE :** La réparation d'un outil à double isolation exigeant des précautions extrêmes ainsi que la connaissance du système, elle ne doit être confiée qu'à un réparateur qualifié. En ce qui concerne les réparations, nous recommandons de confier l'outil au centre de réparation le plus proche. Utiliser exclusivement des pièces d'origine pour les réparations.

## CONNEXIONS ÉLECTRIQUES

Ce produit est équipé d'un moteur électrique de précision. Il doit être branché uniquement sur **une alimentation 120 V, 60 Hz, c.a. (courant résidentiel standard)**. Ne pas utiliser cet outil sur une source de courant continu (c.c.). Une chute de tension importante causerait une perte de puissance et une surchauffe du moteur. Si l'outil ne fonctionne pas une fois branché, vérifier l'alimentation électrique.

## CORDONS PROLONGATEURS

Lors de l'utilisation d'un outil électrique à grande distance d'une prise secteur, veiller à utiliser un cordon prolongateur d'une capacité suffisante pour supporter l'appel de courant de l'outil. Un cordon de capacité insuffisante causerait une baisse de la tension de ligne, entraînant une perte de puissance et une surchauffe. Se reporter au tableau ci-dessous pour déterminer le calibre minimum de fil requis pour un cordon donné. Utiliser exclusivement des cordons à gaine cylindrique homologués par Underwriter's Laboratories (UL).

Pour le travail à l'extérieur, utiliser un cordon prolongateur spécialement conçu à cet effet. Ce type de cordon porte l'inscription « WA » ou « W » sur sa gaine.

Avant d'utiliser un cordon prolongateur, vérifier que ses fils ne sont ni détachés ni exposés et que son isolation n'est ni coupée, ni usée.

\*\*Intensité nominale (sur la plaquette signalétique de l'outil)

Longueur du cordon	Calibre de fil (A.W.G.)					
	0-2,0	2,1-3,4	3,5-5,0	5,1-7,0	7,1-12,0	12,1-16,0
25'	16	16	16	16	14	14
50'	16	16	16	14	14	12
100'	16	16	14	12	10	

\*\*Utilisé sur circuit de calibre 12 – 20 A

**NOTE :** AWG = American Wire Gauge

### AVERTISSEMENT :

Maintenir le cordon prolongateur à l'écart de la zone de travail. Lors du travail avec un cordon électrique, placer le cordon de manière à ce qu'il ne risque pas de se prendre dans les pièces de bois, outils et autres obstacles. Ne pas prendre cette précaution peut entraîner des blessures graves.

### AVERTISSEMENT :

Vérifier l'état des cordons prolongateurs avant chaque utilisation. Remplacer immédiatement tout cordon endommagé. Ne jamais utiliser un outil dont le cordon d'alimentation est endommagé, car tout contact avec la partie endommagée pourrait causer un choc électrique et des blessures graves.

# CARACTÉRISTIQUES

---

## FICHE TECHNIQUE

Dimensions de la bande.....  
.....76 mm x 457 mm (3 po x 18 po)  
Surface de ponçage..... 113 cm<sup>2</sup> (17.5 po<sup>2</sup>)

## APPRENDRE À CONNAÎTRE LA PONCEUSE À BANDE

Voir la figure 1, page 14.

La sécurité d'utilisation de ce produit exige la compréhension des informations apposées sur l'outil et contenues dans ce manuel d'utilisation, ainsi que la connaissance du travail à exécuter. Avant d'utiliser ce produit, se familiariser avec toutes ses fonctions et règles de sécurité.

## LEVIER DE SOULAGEMENT DE TENSION DE LA BANDE

Le levier de soulagement de la tension permet le remplacement rapide et facile de la bande.

## SAC À POUSSIÈRE

Le sac à poussière se monte sur la ponceuse pour réduire le dégagement de poussière à un minimum.

## CONCEPTION ERGONOMIQUE

Ce produit est conçu pour une grande facilité d'utilisation. L'outil est conçu pour pouvoir être tenu confortablement et

Vitesse à vide .....400 - 950 pi/min  
Alimentation.....120 V, 60 Hz, c.a. seulement, 6,5 A  
Poids net ..... 2,6 kg (5,8 lb)

opéré aisément dans différentes positions et à différents angles.

## BOUTON DE VERROUILLAGE

Ce bouton permet de verrouiller la gâchette en position de **MARCHE**. Le verrouillage de la gâchette permet de poncer en continu.

## GÂCHETTE DE COMMUTATEUR

Pour mettre la ponceuse en **MARCHE**, appuyer sur la gâchette. Pour **ARRÊTER** la ponceuse, relâcher la gâchette.

## VIS DE CENTRAGE

Ce vis permet de régler facilement le centrage de la bande.

## COMMANDE DE VITESSE VARIABLE

Cette commande permet de régler la vitesse de la ponceuse de 122 à 290 m/min ( 400 à 1 950 pi/min) en réglant le sélecteur sur les positions **A (minimum)** à **F (maximum)**.

# ASSEMBLAGE

---

## DÉBALLAGE

Ce produit a été expédié complètement assemblé.

- Avec précaution, sortir l'produit et les accessoires de la boîte. S'assurer que toutes les pièces figurant sur la liste de contrôle sont incluses.

### AVERTISSEMENT :

Ne pas utiliser le produit s'il n'est pas complètement assemblé ou si des pièces semblent manquantes ou endommagées. Le fait d'utiliser un produit assemblé de façon inadéquate ou incomplète peut entraîner des blessures graves.

- Examiner soigneusement l'produit pour s'assurer que rien n'a été brisé ou endommagé en cours de transport.
- Ne pas jeter les matériaux d'emballage avant d'avoir soigneusement examiné l'produit et avoir vérifié qu'il fonctionne correctement.
- Si des pièces sont manquantes ou endommagées, appeler le 1-866-539-1710.

## LISTE DE CONTRÔLE

Ponceuse à bande à vitesse variable  
Sac à poussière  
Bandes abrasives  
Manuel d'utilisation

### AVERTISSEMENT :

Si des pièces manquent ou sont endommagées, ne pas utiliser ce produit avant qu'elles aient été remplacées. Le fait d'utiliser ce produit même s'il contient des pièces endommagées ou s'il lui manque des pièces peut entraîner des blessures graves.

### AVERTISSEMENT :

Ne pas essayer de modifier ce produit ou de créer des accessoires non recommandés pour l'produit. De telles altérations ou modifications sont considérées comme un usage abusif et peuvent créer des conditions dangereuses, risquant d'entraîner des blessures graves.

### AVERTISSEMENT :

Ne pas brancher sur le secteur avant d'avoir terminé l'assemblage. Le non respect de cet avertissement peut causer un démarrage accidentel, entraînant des blessures graves.

# UTILISATION

## AVERTISSEMENT :

Ne pas laisser la familiarité avec l'produit faire oublier la prudence. Ne pas oublier qu'une fraction de seconde d'inattention peut entraîner des blessures graves.

## AVERTISSEMENT :

Toujours porter une protection oculaire certifiée conforme à la norme ANSI Z87.1. Si cette précaution n'est pas prise, des objets peuvent être projetés dans les yeux et causer des lésions graves.

## AVERTISSEMENT :

Ne pas utiliser d'outils ou accessoires non recommandés pour cet produit. L'utilisation de pièces et accessoires non recommandés peut entraîner des blessures graves.

## AVERTISSEMENT :

Avant de brancher la ponceuse sur une prise secteur toujours vérifier que la gâchette n'est pas verrouillée. Ne pas prendre cette précaution peut causer un démarrage accidentel, entraînant des blessures graves.

## APPLICATIONS

Cet produit peut être utilisé pour les applications ci-dessous :

- Ponçage du bois, du métal et du plastique
- Lissage de planches rugueuses, chanfreinage, arrondissement de bords
- Décapage de la rouille, de la peinture, du vernis et des colorants.

## AVERTISSEMENT :

Si le ponçage devient poussiéreux, ou en cas de difficultés respiratoires, porter un masque anti-poussière ou un appareil respiratoire pour éviter les effets nocifs à la santé.

## CHOIX DE LA BANDE ABRASIVE

Le choix de la taille de grain et du type de la bande abrasive est essentiel pour l'obtention d'un ponçage de qualité. L'usage d'aluminium, de carbure de silicium et d'autres abrasifs synthétiques est recommandé pour les ponceuses électriques.

En général, les grains les plus grossiers sont utilisés pour enlever la plus grande partie du matériau et les grains les plus fins pour obtenir le meilleur fini possible. L'état de la surface à poncer détermine la taille de grain à utiliser. Si la surface est rugueuse, commencer avec un grain grossier pour la rendre uniforme. Ensuite, utiliser un grain moyen pour éliminer les rayures laissées par le grain grossier. Enfin, utiliser un grain fin pour lisser la surface. Toujours poncer avec chaque grain jusqu'à ce que la surface soit uniforme.

## RÉGLAGE DE VITESSE DE LA PONCEUSE À BANDE

Voir le tableau ci-dessous pour le choix de vitesse en fonction de l'application.

MATÉRIAU	VITESSE						GRAIN DE LA BANDE					
	A	B	C	D	E	F	40	60	80	100	150	240
BOIS NON DRESSÉ					★	★	●	●				
BOIS TENDRE		★								●	●	
AGGLOMÉRÉ				★	★			●	●			
BOIS	★	★										●
ÉLIMINATION DE ROUILLE			★	★			●	●				
PEINTURE					★	★	●	●				
MÉTAUX NON FERREUX			★						●	●		

# UTILISATION

## COMMANDE DE VITESSE VARIABLE

Voir la figure 2, page 14.

Cette ponceuse est équipée d'un sélecteur permettant à l'opérateur d'ajuster la vitesse de rotation de **A (lente)** à **F (rapide)**. Pour accroître la vitesse, tourner le sélecteur sur une valeur plus élevée. Pour réduire la vitesse, tourner le sélecteur sur une valeur plus basse. Voir le tableau de la page 9 pour le choix de vitesse en fonction de l'application.

## PLACEMENT CORRECT DES MAINS

Voir la figure 3, page 14.

Les poignées avant et arrière permettent une utilisation à deux mains, ce qui assure un meilleur contrôle, et garde la ponceuse à plat sur la pièce et les mains à l'écart de la bande abrasive. En portant ou à l'aide de la ponceuse, toujours tenir la poignée avant de la main gauche et la poignée arrière de la main droite, comme illustré.

### **AVERTISSEMENT :**

Garder les mains et les doigts à l'écart de la bande abrasive, de la poulie avant et du rouleau d'entraînement en rotation. Le non respect de cette précaution peut entraîner l'abrasion des mains ou des doigts et des blessures graves.

### **AVERTISSEMENT :**

Ne pas laisser les doigts reposer sur l'avant ou le côté droit de la ponceuse. Si la bande s'échappe de la ponceuse ou n'est pas correctement réglée, les doigts peuvent entrer en contact avec l'abrasif, ce qui peut causer des blessures graves.

## MISE EN MARCHÉ / ARRÊT DE LA PONCEUSE

Voir la figure 4, page 14.

- Pour mettre la ponceuse en marche : Appuyer sur la gâchette.
- Pour arrêter la ponceuse : Relâcher la gâchette.

## FONCTION DE DÉMARRAGE SOFT

Le démarrage soft est une fonction avec la quelle le moteur accélère progressivement jusqu'à la vitesse maximum sélectionnée. Par exemple, lorsqu'une vitesse est sélectionnée au moyen du limiteur de vitesse et que la ponceuse est arrêtée puis remise en marche, elle accélère progressivement jusqu'à la vitesse précédente lorsque la gâchette est de nouveau enfoncée.

## INSTALLATION / REMPLACEMENT DE LA BANDE

Voir les figures 5 et 6, page 14.

- Débrancher la ponceuse.
- Positionner la ponceuse comme illustré.

### **AVERTISSEMENT :**

Toujours garder les mains et les doigts à l'écart du rouleau avant et du mécanisme à ressort. Le non respect de cette précaution peut entraîner un pincement des doigts et des blessures graves.

Pour le retrait et l'installation, la bande abrasive doit être détendue :

- Relever le levier de tension pour détendre la bande.
- Installer la bande abrasive en veillant à ce que la flèche de l'intérieur soit orientée dans le sens de rotation, c'est à dire vers la gauche lorsque l'on regarde la ponceuse par son côté ouvert.

**NOTE :** La flèche de la bande abrasive doit être orientée dans le même sens que celle du boîtier.

### **ATTENTION :**

Si la bande abrasive n'est pas bidirectionnelle, l'installer en veillant à ce que la flèche de l'intérieur soit orientée dans le sens de rotation, (c'est à dire vers la gauche lorsque l'on regarde la ponceuse par son côté ouvert). L'installation d'une bande unidirectionnelle à l'envers peut créer une situation dangereuse.

- Aligner la bande abrasive correctement.
- Abaisser le levier de tension pour assujettir la bande.

**NOTE :** Cette ponceuse est équipée d'un système de guidage automatique qui permet à la bande abrasive de demeurer centrée dans la plupart des cas. Si la bande ne demeure pas au centre, un réglage manuel du système de guidage peut être nécessaire. Pour un réglage manuel, voir **Réglage manuel du système de guidage de la bande abrasive** dans la section *Réglages* du manuel.

## VERROUILLAGE DE LA GÂCHETTE

Voir la figure 7, page 15.

Ce bouton permet de verrouiller la gâchette en position de **MARCHE**. Le verrouillage de la gâchette permet de poncer en continu.

Si la fonction de verrouillage est engagée pendant l'utilisation et la ponceuse est accidentellement débranchée du secteur, désengager le verrouillage immédiatement. En outre, ne pas verrouiller la gâchette s'il peut s'avérer nécessaire d'arrêter immédiatement la ponceuse.

### **Pour verrouiller la gâchette :**

- Appuyer sur la gâchette.
- Enfoncer le bouton de verrouillage.
- Relâcher la gâchette.
- Relâcher le bouton de verrouillage

**NOTE :** Pour désengager le verrouillage, appuyer sur la gâchette, puis la relâcher.

# UTILISATION

## UTILISATION DE LA PONCEUSE

Voir la figure 8, page 15.

Assujettir la pièce à poncer avec des serres-joints ou un autre dispositif, pour l'immobiliser sous la ponceuse.

### **AVERTISSEMENT :**

Une pièce non assujettie risque d'être projetée vers l'opérateur et de le blesser.

Avant de placer la ponceuse sur la pièce, appuyer sur la gâchette et laisser le moteur parvenir à pleine vitesse, puis abaisser la ponceuse sur la pièce, avec un léger mouvement vers l'avant. Déplacer lentement la ponceuse sur la pièce, en la contrôlant avec la main gauche et en la guidant avec la main droite. Maintenir la ponceuse au même endroit causerait l'inégalité de la surface.

### **AVERTISSEMENT :**

Toujours maintenir fermement la ponceuse à deux mains. Le non respect de cette précaution peut causer une perte de contrôle pouvant entraîner des blessures graves.

Le poids de la ponceuse a été calculé pour appliquer la pression correcte sur la bande abrasive.

**Une pression excessive aurait les conséquences suivantes :**

- Surface inégale.
- Colmatage de la bande abrasive.
- Usure prématurée de la bande abrasive. Ceci n'augmenterait **pas** l'efficacité du ponçage.
- Dommages au moteur.
- Irrégularité du guidage de la bande abrasive.

**NOTE :** Si la bande abrasive dévie pendant le ponçage, la pression appliquée peut être excessive. Si cela se produit, retirer la ponceuse de la pièce. Si le guidage de la bande est correctement réglé, la bande retourne à sa position normale sur le rouleau avant et le rouleau d'entraînement.

Si un ponçage plus agressif est nécessaire, utiliser une bande abrasive plus grossière, ne pas augmenter la pression. On ne saurait trop insister sur ce point. Le poids de la ponceuse a été calculé et réparti pour assurer une pression optimale à l'endroit approprié.

**NOTE :** Le rouleau avant de la ponceuse n'est pas conçu pour le ponçage de contours. Le ponçage avec le rouleau avant peut l'endommager et causer une irrégularité du guidage de la bande abrasive.

### **ATTENTION :**

L'outil peut rebondir vers l'utilisateur et lui occasionner des blessures si celui-ci ponce avec le rouleau avant.

### **AVERTISSEMENT :**

Cette ponceuse est conçue pour être utilisée tel qu'illustré en la figure 8, page 15, en gardant les deux mains sur l'outil en tout temps afin d'assurer un contrôle optimal. Ne jamais faire fonctionner l'outil au-dessus de sa tête ou de manière contraire à la position d'utilisation adéquate. Le non-respect de cette règle de sécurité peut entraîner des blessures graves.

### **AVERTISSEMENT :**

Ne pas utiliser le sac à poussière lors du ponçage du métal. Utiliser le sac à poussière lors du ponçage du métal crée un risque d'incendie, qui peut endommager l'outil et entraîner des blessures graves.

## SAC À POUSSIÈRE

Voir la figure 9, page 15.

Le sac recueille la poussière produite par la ponceuse. Il doit être installé sur l'orifice de sortie d'air du côté de la ponceuse. Pour un fonctionnement plus efficace, vider le sac à poussière lorsqu'il est à moitié plein.

**Ne pas** brancher la ponceuse avant d'avoir installé le sac à poussière.

**Installation / retrait du sac à poussière :**

- Débrancher la ponceuse.
- Placer l'ouverture du sac sur le trou de la ponceuse, en alignant ses saillies sur les rainures du trou d'évacuation.

## VIDAGE DU SAC À POUSSIÈRE

Voir la figure 10, page 15.

Pour un fonctionnement plus efficace, vider le sac à poussière avant qu'il soit à moitié plein. Ceci permettra à l'air de mieux passer au travers du sac. Toujours vider et nettoyer soigneusement le sac après avoir terminé un travail de ponçage et avant de remiser la ponceuse.

### **AVERTISSEMENT :**

La poussière produite lors du ponçage de revêtements de surface tels que le polyuréthane, l'huile de lin, etc., peut s'enflammer spontanément à l'intérieur ou à l'extérieur du sac et causer un incendie. Pour réduire le risque d'incendie, vider fréquemment le sac pendant le ponçage. **Ne jamais** laisser ou ranger la ponceuse sans avoir complètement vidé le sac. En outre, suivre les recommandations des fabricants de revêtements.

**Vidage du sac à poussière :**

- Débrancher la ponceuse.
- Retirer le sac de la ponceuse .
- Ouvrir sa fermeture à glissière.
- Secouer pour le débarrasser de la poussière.
- Remettre le sac à poussière en place sur la ponceuse.

# RÉGLAGES

## RÉGLAGE DU SYSTÈME DE GUIDAGE DE LA BANDE ABRASIVE

Voir la figure 11, page 15.

Cette ponceuse est dotée d'un système de guidage automatique qui assure le centrage de la bande abrasive. Pour le ponçage de bordure, un réglage manuel est nécessaire.

### Pour régler manuellement la position de la bande :

- Brancher la ponceuse sur une prise secteur.
- Régler la commande de vitesse variable à la position **A** (minimum).
- La ponceuse étant positionnée comme illustré ci-dessous, appuyer sur la gâchette.

**NOTE :** Cette position ne doit être utilisée que pour les réglages. Lors des réglages de guidage, la bande abrasive ne doit pas être en contact avec la pièce à poncer ou un objet quelconque.

- Tourner lentement la vis de guidage dans le sens horaire jusqu'à ce que la bande abrasive soit positionnée à égalité avec la bordure de la platine. S'assurer que la bande abrasive ne dépasse pas de la bordure de la platine.

### **AVERTISSEMENT :**

Garder les mains et les doigts à l'écart de la bande abrasive en rotation. Le contact de toute partie du corps avec la bande en rotation peut causer des blessures graves. Ne porter ni vêtements amples, ni bijoux pendant l'utilisation de la ponceuse. Ces articles pourraient se prendre dans les pièces en mouvement, risquant de causer des blessures graves.

- Une fois le ponçage de bordure terminé, tourner la vis de guidage dans le sens antihoraire jusqu'à ce que la bande retourne à sa position normale, au centre.

# ENTRETIEN

### **AVERTISSEMENT :**

Utiliser exclusivement des pièces d'origine pour les réparations. L'usage de toute autre pièce pourrait créer une situation dangereuse ou endommager l'outil.

### **AVERTISSEMENT :**

Toujours porter une protection oculaire certifiée conforme à la norme ANSI Z87.1. Si cette précaution n'est pas prise, des objets peuvent être projetés dans les yeux et causer des lésions graves.

## ENTRETIEN GÉNÉRAL

Éviter d'utiliser des solvants pour le nettoyage des pièces en plastique. La plupart des matières plastiques peuvent être endommagées par divers types de solvants du commerce. Utiliser un chiffon propre pour éliminer la saleté, la poussière, l'huile, la graisse, etc.

### **AVERTISSEMENT :**

Ne jamais laisser de liquides tels que le fluide de freins, l'essence, les produits à base de pétrole, les huiles pénétrantes, etc., entrer en contact avec les pièces en plastique. Les produits chimiques peuvent endommager, affaiblir ou détruire le plastique, ce qui peut entraîner des blessures graves.

Les outils électriques utilisés sur la fibre de verre, le placoplâtre, les mastics de bouchage ou le plâtre s'usent plus vite et sont susceptibles de défaillance prématurée, car les particules et les éclats de fibre de verre sont fortement abrasifs pour les roulements, balais, commutateurs, etc. Par conséquent, nous ne recommandons pas d'utiliser cet outil pendant une durée prolongée sur ce type de matériau. Toutefois, si l'outil a été utilisé sur l'un de ces matériaux, il est extrêmement important de le nettoyer à l'air comprimé.

## LUBRIFICATION

Tous les roulements de cet outil sont enduits d'une quantité suffisante de lubrifiant de haute qualité pour la durée de vie de l'outil, dans des conditions d'utilisation normales. Aucune autre lubrification n'est donc nécessaire.

## REMPACEMENT DES BALAIS

Voir la figure 12, page 15.

**NOTE :** Cette ponceuse est équipée de balais charbons accessibles de l'extérieur.

- Débrancher la ponceuse.

### **AVERTISSEMENT :**

Ne pas débrancher la ponceuse peut causer un démarrage accidentel, entraînant des blessures graves.

# ENTRETIEN

---

- Retirer les (2) capuchons de balais à l'aide d'un tournevis.
- Retirer les balais (2).
- Regarder s'ils sont usés. Remplacer les deux balais lorsque la longueur du carbone est de 6,4 mm (1/4 po) ou moins.  
NOTE : Ne jamais remplacer un seul balai.
- Installer les nouveaux balais. S'assurer que la courbure des balais correspond à celle du moteur et que les balais tournent librement dans leurs tubes.
- Réinstaller les balais en reprenant la procédure de démontage ci-dessus à l'inverse.
- Serrer fermement les capuchons de balais. **Ne pas** trop serrer.

## REMPACEMENT DE LA COURROIE CRANTÉE

Voir la figure 13, page 15.

- Débrancher la ponceuse.
- Retirer le sac à poussière.
- Retirer la bande abrasive de la ponceuse. Voir les instructions de retrait de la bande abrasive, page 9.

**NOTE** : Le retrait de la bande abrasive facilite le remplacement de la courroie crantée.

- Retirer les vis et le couvercle de la courroie.
- Forcer la vieille courroie crantée à partir de l'une des petites poulies à l'aide d'un tournevis et la retirer tout en tournant la grande poulie. Si la courroie est usée, il suffit de la couper pour la retirer.
- Installer la nouvelle courroie crantée en débutant avec la grande poulie puis l'une des petites poulies.
- Enfoncer la courroie autour de l'autre petite poulie tout en tournant la grande poulie.
- Remettre le couvercle de courroie en place et l'assujettir avec sa vis.
- Serrer la vis fermement.
- Installer la bande abrasive.



### AVERTISSEMENT :

Ne jamais utiliser la ponceuse sans le couvercle de la courroie crantée.

---

**FIGURES (ILLUSTRATIONS) COMMENÇANT SUR  
14 DE PAGE APRÈS LA SECTION ESPAGNOL.**

# GARANTIE

---

## OUTILS ÉLECTRIQUES À MAIN ET D'ÉTABLI RIDGID® GARANTIE LIMITÉE DE SERVICE DE 3 ANS

Une preuve d'achat doit être présentée pour toute demande de réparation sous garantie.

Cette garantie se limite aux outils électriques à main et d'établi RIDGID® achetés à partir du 1/2/04. Ce produit est fabriqué par One World Technologies, Inc., sous licence de marque de RIDGID, Inc. Toutes les communications de garantie doivent être adressées à One World Technologies, Inc., à l'attention de : Service technique des outils motorisés à main et d'établi RIDGID, au 1-866-539-1710 (appel gratuit).

### POLITIQUE DE SATISFACTION ASSURÉE DE 90 JOURS

En cas de non satisfaction pour quelque raison que ce soit au cours des 90 jours suivant la date d'achat de cet outil à main ou d'établi RIDGID®, il pourra être retourné au point de vente pour échange ou remboursement intégral. Pour obtenir un outil en échange, l'équipement original devra être retourné, dans son emballage d'origine, accompagné d'une preuve d'achat. L'outil fourni en échange sera couvert par la garantie limitée pour le restant de la période de validité de 3 ANS.

### CE QUI EST COUVERT PAR LA GARANTIE LIMITÉE DE 3 ANS

#### GARANTIE LIMITÉE DE SERVICE

Cette garantie sur les outils électriques à main et d'établi RIDGID® couvre tous les vices de matériaux et de fabrication, ainsi que les articles de consommation courants, tels que balais, mandrins, moteurs, commutateurs, cordons, engrenages et même les batteries d'outils sans fil de cet outil RIDGID®, pour une période de trois ans, à compter de la date d'achat. Les garanties d'autres produits RIDGID® peuvent être différentes.

#### RÉPARATIONS SOUS GARANTIE

Pour toute réparation sous garantie, cet outil RIDGID® devra être retourné, en port payé, à un centre de réparations RIDGID® pour outils motorisés à main et d'établi agréé. L'adresse du centre de réparations agréé le plus proche peut être obtenue en appelant le 1-866-539-1710 (appel gratuit), ou en accédant au site Internet RIDGID®: [www.ridgid.com](http://www.ridgid.com). Le reçu de vente daté doit être présenté lors de toute demande de réparation sous garantie. Le centre de réparations agréé corrigera tout défaut de fabrication et réparera ou remplacera (à notre choix) gratuitement, toute pièce défectueuse.

### CE QUI N'EST PAS COUVERT

La garantie ne couvre que l'acheteur au détail original et n'est pas transférable. Cette garantie ne couvre pas les problèmes de fonctionnement, défaillances ou autres défauts résultant d'un usage incorrect ou abusif, de la négligence, de la modification, de l'altération ou de réparations effectuées par quiconque autre qu'un centre de réparations d'outils motorisés à main et d'établi RIDGID® agréé. Les articles de consommation fournis avec cet outil, tels que, mais sans y être limité, les lames, embouts et abrasifs, ne sont pas couverts.

**RIDGID, INC., ET ONE WORLD TECHNOLOGIES, INC. NE FONT AUCUNE AUTRE GARANTIE, REPRÉSENTATION OU PROMESSE CONCERNANT LA QUALITÉ ET LES PERFORMANCES DE SES OUTILS MOTORISÉS, AUTRES QUE CELLES EXPRESSÉMENT INDIQUÉES DANS LE PRÉSENT DOCUMENT.**

### AUTRES LIMITATIONS

Sous réserve que les lois en vigueur le permettent, toutes les garanties implicites sont exclues, y compris les GARANTIES DE VALEUR MARCHANDE ou D'ADÉQUATION À UN USAGE PARTICULIER. Toutes les garanties implicites, y compris les garanties de valeur marchande ou d'adéquation à un usage particulier ne pouvant pas être exclues en raison des lois en vigueur, sont limitées à une durée de trois ans, à compter de la date d'achat. One World Technologies, Inc. et RIDGID, Inc. déclinent toute responsabilité pour les dommages directs ou indirects. Certains états et provinces ne permettant pas de limitation sur la durée des garanties implicites, et / ou l'exclusion ou la limitation des dommages directs ou indirects, les restrictions ci-dessus peuvent ne pas être applicables. Cette garantie donne au consommateur des droits spécifiques, et celui-ci peut bénéficier d'autres droits, qui varient selon les états ou provinces.

---

**One World Technologies, Inc.**

P.O. Box 35, Hwy. 8

Pickens, SC 29671, ÉTATS-UNIS

---



# ADVERTENCIAS DE SEGURIDAD PARA HERRAMIENTAS ELÉCTRICAS

## ADVERTENCIA

Lea todas las advertencias de seguridad y las instrucciones. La inobservancia de las advertencias e instrucciones puede causar descargas eléctricas, incendios o lesiones graves.

Guarde todas las advertencias e instrucciones para consultarlas en el futuro. El término “herramienta eléctrica” en las advertencias se refiere a las herramientas eléctricas que funcionan con corriente (con cordón) o las que funcionan con batería (inalámbricas).

## ÁREA DE TRABAJO

- **Mantenga limpia y bien iluminada el área de trabajo.** Un área de trabajo mal despejada o mal iluminada propicia accidentes.
- **No utilice herramientas motorizadas en atmósferas explosivas, como las existentes alrededor de líquidos, gases y polvos inflamables.** Las herramientas eléctricas generan chispas que pueden encender el polvo y los vapores inflamables.
- **Mantenga alejados a los niños y circunstantes al maniobrar una herramienta eléctrica.** Toda distracción puede causar la pérdida del control de la herramienta.

## SEGURIDAD ELÉCTRICA

- **Las clavijas de las herramientas eléctricas deben corresponder a las tomas de corriente donde se conectan. Nunca modifique la clavija de ninguna forma. No utilice ninguna clavija adaptadora con herramientas eléctricas dotadas de contacto a tierra.** Conectando las clavijas originales en las tomas de corriente donde corresponden se disminuye el riesgo de una descarga eléctrica.
- **Evite el contacto del cuerpo con las superficies de objetos conectados a tierra, como las tuberías, radiadores, estufas y refrigeradores.** Existe un mayor riesgo de descargas eléctricas si el cuerpo está haciendo tierra.
- **No exponga las herramientas eléctricas a la lluvia ni a condiciones de humedad.** La introducción de agua en una herramienta eléctrica aumenta el riesgo de descargas eléctricas.
- **No maltrate el cordón eléctrico. Nunca utilice el cordón para trasladar, desconectar o tirar de la herramienta eléctrica. Mantenga el cordón lejos del calor, aceite, bordes afilados y piezas móviles.** Los cordones eléctricos dañados o enredados aumentan el riesgo de descargas eléctricas.
- **Al utilizar una herramienta eléctrica a la intemperie, use un cordón de extensión apropiado para el exterior.** Usando un cordón adecuado para el exterior se disminuye el riesgo de descargas eléctricas.
- **Si debe operar una herramienta en lugares húmedos, use un suministro protegido por un interruptor de circuito con pérdida a tierra (GFCI).** El uso de un GFCI reduce el riesgo de descargas eléctricas.

## SEGURIDAD PERSONAL

- **Permanezca alerta, preste atención a lo que esté haciendo y aplique el sentido común al utilizar herramientas eléctricas. No utilice la herramienta eléctrica si está cansado o se encuentra bajo los efectos de alguna droga, alcohol o medicamento.** Un momento de inatención al utilizar una herramienta eléctrica puede causar lesiones corporales serias.
- **Utilice protección el equipo otros. Siempre póngase protección ocular.** El uso de equipo protector como mascarilla para el polvo, calzado de seguridad, casco y protección para los oídos en las circunstancias donde corresponda disminuye el riesgo de lesiones.

- **Evite que la herramienta se active accidentalmente. Asegúrese de que el interruptor esté en la posición de apagado antes de conectar la herramienta a un suministro de corriente o de colocar un paquete de baterías.** Transportar herramientas eléctricas con el dedo en el interruptor o enchufar herramientas eléctricas que tienen el interruptor encendido puede ocasionar accidentes.
- **Retire toda llave o herramienta de ajuste antes de encender la herramienta eléctrica.** Toda llave o herramienta de ajuste dejada en una pieza giratoria de la herramienta eléctrica puede causar lesiones.
- **No estire el cuerpo para alcanzar mayor distancia. Mantenga una postura firme y buen equilibrio en todo momento.** De esta manera se logra un mejor control de la herramienta eléctrica en situaciones inesperadas.
- **Vístase adecuadamente. No vista ropas holgadas ni joyas. Mantenga el cabello, la ropa y los guantes alejados de las piezas móviles.** Las ropas holgadas y las joyas, así como el cabello largo, pueden engancharse en las piezas móviles.
- **Si se suministran dispositivos para conectar mangueras de extracción y captación de polvo, asegúrese de que éstas estén bien conectadas y se usen correctamente.** El uso de la captación de polvo puede reducir los peligros relacionados con éste.
- **No vista ropas holgadas ni joyas. Recójase el cabello si está largo.** Las ropas holgadas y las joyas, así como el cabello largo, pueden resultar atraídas hacia el interior de las aberturas de ventilación.
- **No utilice la unidad al estar en una escalera o en un soporte inestable.** Una postura estable sobre una superficie sólida permite un mejor control de la herramienta eléctrica en situaciones inesperadas.

## EMPLEO Y CUIDADO DE LA HERRAMIENTA ELÉCTRICA

- **No fuerce la herramienta eléctrica. Utilice la herramienta eléctrica adecuada para cada trabajo.** La herramienta eléctrica adecuada efectúa mejor y de manera más segura el trabajo, si además se maneja a la velocidad para la que está diseñada.
- **No utilice la herramienta si el interruptor no enciende o no apaga.** Cualquier herramienta eléctrica que no pueda controlarse con el interruptor es peligrosa y debe repararse.
- **Desconecte la clavija del suministro de corriente o retire el paquete de baterías de la herramienta eléctrica, según sea el caso, antes de efectuarle cualquier ajuste, cambiarle accesorios o guardarla.** Tales medidas preventivas de seguridad reducen el riesgo de poner en marcha accidentalmente la herramienta.
- **Guarde las herramientas eléctricas desocupadas fuera del alcance de los niños y no permita que las utilicen personas no familiarizadas con las mismas o con estas instrucciones.** Las herramientas eléctricas son peligrosas en manos de personas no capacitadas en el uso de las mismas.
- **Preste servicio a las herramientas eléctricas. Revise para ver si hay desalineación o atoramiento de piezas móviles, ruptura de piezas o cualquier otra condición que pueda afectar el funcionamiento de la herramienta. Si está dañada la herramienta eléctrica, permita que la reparen antes de usarla.** Numerosos accidentes son causados por herramientas eléctricas mal cuidadas.
- **Mantenga las herramientas de corte afiladas y limpias.** Las herramientas de corte bien cuidadas y con bordes bien afilados,

# ADVERTENCIAS DE SEGURIDAD PARA HERRAMIENTAS ELÉCTRICAS

---

tienen menos probabilidad de atascarse en la pieza de trabajo y son más fáciles de controlar.

- **Utilice la herramienta eléctrica, los accesorios y brocas, hojas y cuchillas de corte, ruedas de esmeril, etc. de conformidad con estas instrucciones, tomando en cuenta las condiciones de trabajo y la tarea por realizar.** Si se utiliza la herramienta eléctrica para operaciones diferentes de las indicadas podría originar una situación peligrosa.

## SERVICIO

- **Permita que un técnico de reparación calificado preste servicio a la herramienta eléctrica, y sólo con piezas de repuesto idénticas.** De esta manera se mantiene la seguridad de la herramienta eléctrica.
- **Al dar servicio a una herramienta eléctrica, sólo utilice piezas de repuesto idénticas. Siga las instrucciones señaladas en la sección Mantenimiento de este manual.** El empleo de piezas no autorizadas o el incumplimiento de las instrucciones de mantenimiento puede significar un riesgo de descarga eléctrica o de lesiones de descarga eléctrica o de lesiones.

# ADVERTENCIAS DE SEGURIDAD LIJADORA DE BANDA

---

- **Sostenga la herramienta eléctrica de las superficies de sujeción aisladas, debido a que la correa puede hacer contacto con su propio cordón.** Si se corta un cable "cargado", es posible que las partes metálicas expuestas de la herramienta se "carguen" y, por lo tanto, el operador podría recibir una descarga eléctrica.
- **Familiarícese con su herramienta eléctrica. Lea cuidadosamente el manual del operador. Aprenda sus usos y limitaciones, así como los posibles peligros específicos de esta herramienta eléctrica.** Con el cumplimiento de esta regla se reduce el riesgo de una descarga eléctrica, incendio o lesión seria.
- **Siempre use gafas de seguridad. Los anteojos de uso diario tienen lentes resistentes a impactos únicamente; NO son anteojos de seguridad.** Con el cumplimiento de esta regla se reduce el riesgo de lesiones serias.
- **Protéjase los pulmones. Use una careta o mascarilla contra el polvo si la operación genera mucho polvo.** Con el cumplimiento de esta regla se reduce el riesgo de lesiones serias.
- **Protéjase los oídos. Durante períodos prolongados de utilización del producto, póngase protección para los oídos.** Con el cumplimiento de esta regla se reduce el riesgo de lesiones serias.
- **Inspeccione periódicamente los cordones eléctricos de las herramientas eléctricas, y si están dañados, permita que los reparen en el centro de servicio autorizado más cercano de la localidad. Observe constantemente la ubicación del cordón eléctrico.** Con el cumplimiento de esta regla se reduce el riesgo de una descarga eléctrica o incendio.
- **Revise para ver si hay piezas dañadas. Antes de seguir utilizando la herramienta eléctrica, es necesario inspeccionar**

cuidadosamente toda protección o pieza dañada para determinar si funcionará correctamente y desempeñará la función a la que está destinada. Verifique la alineación de las partes móviles, que no haya atoramiento de las mismas, que no haya piezas rotas, el montaje de las piezas y cualquier otra condición que pudiera afectar su funcionamiento. Toda protección o pieza que esté dañada debe repararse apropiadamente o reemplazarse en un centro de servicio autorizado. Con el cumplimiento de esta regla se reduce el riesgo de una descarga eléctrica, incendio o lesión grave.

- **Asegúrese de que esté en buen estado el cordón de extensión. Al utilizar un cordón de extensión, utilice uno del suficiente calibre para soportar la corriente que consume el producto. Se recomienda que los conductores sean de calibre 14 (A.W.G.) por lo menos para un cordón de extensión de 15 metros (50 pies) de largo o menos. No se recomienda utilizar un cordón con más de 30 metros (100 pies) de largo. Si tiene dudas, utilice un cordón del calibre más grueso siguiente. Cuanto menor es el número de calibre, mayor es el grueso del cordón.** Un cordón de un calibre insuficiente causa una caída en el voltaje de línea, y produce recalentamiento y pérdida de potencia.
- **Inspeccione la madera y elimine todos los clavos presentes en la misma antes de usar esta herramienta eléctrica.** Con el cumplimiento de esta regla se reduce el riesgo de lesiones serias.
- **Si está dañado el cordón de corriente, debe ser reemplazado únicamente por el fabricante o en un centro de servicio autorizado para evitar riesgos.**
- **Guarde estas instrucciones.** Consúltelas con frecuencia y empléelas para instruir a otras personas que puedan utilizar esta herramienta eléctrica. Si presta a alguien esta herramienta eléctrica, facilítele también las instrucciones.

## CALIFORNIA - PROPUESTA DE LEY NÚM. 65

---

### ADVERTENCIA:

Este producto y algunos polvos generados al efectuarse operaciones de lijado, aserrado, esmerilado, taladrado y otras actividades de la construcción, contienen sustancias químicas reconocidas por el estado de California como causantes de cáncer, defectos congénitos y otras afecciones del aparato reproductor. **Lávese las manos después de utilizar el aparato.**




Algunos ejemplos de estas sustancias químicas son:

- plomo de las pinturas a base de plomo,
- sílice cristalino de los ladrillos, del cemento y de otros productos de albañilería, y
- arsénico y cromo de la madera químicamente tratada.






El riesgo de la exposición a estos compuestos varía, según la frecuencia con que se realice este tipo de trabajo. Para reducir la exposición personal, trabaje en áreas bien ventiladas, y con equipo de seguridad aprobado, tal como las caretas para el polvo especialmente diseñadas para filtrar partículas microscópicas.

# SÍMBOLOS

Las siguientes palabras de señalización y sus significados tienen el objeto de explicar los niveles de riesgo relacionados con este producto.

SÍMBOLO	SEÑAL	SIGNIFICADO
	<b>PELIGRO:</b>	Indica una situación peligrosa inminente, la cual, si no se evita, causará la muerte o lesiones serias.
	<b>ADVERTENCIA:</b>	Indica una situación peligrosa posible, la cual, si no se evita, podría causar la muerte o lesiones serias.
	<b>PRECAUCIÓN:</b>	Indica una situación peligrosa posible, la cual, si no se evita, podría causar lesiones menores o leves.
	<b>AVISO:</b>	(Sin el símbolo de alerta de seguridad) Indica información importante no relacionada con ningún peligro de lesiones, como una situación que puede ocasionar daños físicos.

Es posible que se empleen en este producto algunos de los siguientes símbolos. Le suplicamos estudiarlos y aprender su significado. Una correcta interpretación de estos símbolos le permitirá utilizar mejor y de manera más segura el producto.

SÍMBOLO	NOMBRE	DENOMINACIÓN/EXPLICACIÓN
	Alerta de seguridad	Indica un peligro posible de lesiones personales.
	Lea el manual del operador	Para reducir el riesgo de lesiones, el usuario debe leer y comprender el manual del operador antes de usar este producto.
	Protección ocular	Siempre póngase protección ocular con protección lateral con la marca de cumplimiento de la norma ANSI Z87.1.
	Alerta de condiciones húmedas	No exponga la unidad a la lluvia ni la use en lugares húmedos.
V	Volts	Voltaje
A	Amperes	Corriente
Hz	Hertz	Frecuencia (ciclos por segundo)
W	Watts	Potencia
min	Minutos	Tiempo
~	Corriente alterna	Tipo de corriente
$n_0$	Velocidad en vacío	Velocidad de rotación, en vacío
	Fabricación Clase II	Fabricación con doble aislamiento
.../min	Por minuto	Revoluciones, carreras, velocidad superficial, órbitas, etc., por minuto

# ASPECTOS ELÉCTRICOS

## DOBLE AISLAMIENTO

El doble aislamiento es una característica de seguridad de las herramientas eléctricas, la cual elimina la necesidad de usar el típico cordón eléctrico de tres conductores con conexión a tierra. Todas las partes metálicas expuestas están aisladas de los componentes metálicos internos del motor por medio de aislamiento de protección. No es necesario conectar a tierra las herramientas con doble aislamiento.

### **ADVERTENCIA:**

El sistema de doble aislamiento está destinado para proteger al usuario contra las descargas eléctricas resultantes de la ruptura del cableado interno de la herramienta. Observe todas las precauciones de seguridad para evitar descargas eléctricas.

**NOTA:** El mantenimiento de una herramienta con doble aislamiento requiere sumo cuidado y conocimiento del sistema, y únicamente deben realizarlo técnicos de servicio calificados. Para el servicio de la herramienta, le sugerimos llevarla al centro de servicio autorizado más cercano para toda reparación. Siempre utilice piezas de repuesto de la fábrica original al dar servicio a la unidad.

## CONEXIÓN ELÉCTRICA

Este producto dispone de un motor eléctrico fabricado con precisión. Debe conectarse únicamente a **un suministro de voltaje de 120 Volts, 60 Hertz, corriente alterna solamente (corriente normal para uso doméstico)**. No utilice esta herramienta con corriente continua (c.c.). Una caída considerable de voltaje causa una pérdida de potencia y el recalentamiento del motor. Si la herramienta no funciona al conectarla en una toma de corriente, vuelva a verificar el suministro de voltaje.

## CORDONES DE EXTENSIÓN

Al utilizar una herramienta eléctrica a una distancia considerable de la fuente de voltaje, asegúrese de utilizar un cordón de extensión con la suficiente capacidad para soportar la corriente de consumo de la herramienta. Un cordón de un calibre insuficiente causa una caída en el voltaje de línea, la cual a su vez produce recalentamiento y pérdida de potencia. Básese en la tabla suministrada para determinar el grueso mínimo requerido del cordón de extensión. Solamente deben utilizarse cordones con forro redondo registrados en Underwriter's Laboratories (UL).

Al trabajar a la intemperie con una herramienta, utilice un cordón de extensión fabricado para uso en el exterior. Este tipo de cordón lleva las letras "WA" o "W" en el forro.

Antes de utilizar un cordón de extensión, inspecciónelo para ver si tiene conductores flojos o expuestos y aislamiento cortado o gastado.

\*\*Amperaje (aparece en la placa de datos de la herramienta)

Longitud del cordón	Calibre conductores (A.W.G.)					
	0-2.0	2.1-3.4	3.5-5.0	5.1-7.0	7.1-12.0	12.1-16.0
25'	16	16	16	16	14	14
50'	16	16	16	14	14	12
100'	16	16	14	12	10	

\*\*Se usa en los circuitos de calibre 12, de 20 amperes.

**NOTA:** AWG = Calibre conductores norma americana

### **ADVERTENCIA:**

Mantenga el cordón de extensión fuera del área de trabajo. Al trabajar con una herramienta eléctrica, coloque el cordón de tal manera que no pueda enredarse en la madera, herramientas ni en otras obstrucciones. La inobservancia de esta advertencia puede causar lesiones serias.

### **ADVERTENCIA:**

Inspeccione los cordones de extensión cada vez antes de usarlos. Si están dañados reemplácelos de inmediato. Nunca utilice la herramienta con un cordón dañado, ya que si toca la parte dañada puede producirse una descarga eléctrica, y las consecuentes lesiones serias.

# CARACTERÍSTICAS

## ESPECIFICACIONES DEL PRODUCTO

Dimensiones de la banda .....  
..... 76 mm x 457 mm (3 pulg. x 18 pulg.)  
Superficie de lijado ..... 113 cm cuadr. (17.5 pulg. cuadr.)

Velocidad en vacío ..... 400 - 950 pies/min.  
Corriente de entrada ..... 120 V, 60 Hz, 6,5 A, sólo corr. alt.  
Peso neto ..... 2,6 kg (5,8 lb)

## FAMILIARÍCESE CON LA LIJADORA DE BANDA

Veá la figura 1, página 14.

Para usar este producto con la debida seguridad se debe comprender la información indicada en la herramienta misma y en este manual, y se debe comprender también el trabajo que intenta realizar. Antes de usar este producto, familiarícese con todas las características de funcionamiento y normas de seguridad del mismo.

## PALANCA DE AFLOJE DE TENSIÓN DE LA BANDA

La palanca de afloje de tensión permite cambiar la banda con rapidez y facilidad.

## SACO CAPTAPOLVO

El saco captapolvo se conecta a la lijadora y sirve para mantener a un nivel mínimo la emisión de polvo.

## DISEÑO ERGONÓMICO

El diseño brinda una sujeción cómoda y fácil para el trabajo en diferentes posiciones y ángulos. El diseño de la unidad permite

un fácil manejo de la misma. El diseño brinda comodidad y facilidad para el trabajo en diferentes posiciones y ángulos.

## BOTÓN DEL SEGURO DE ENCENDIDO

El seguro de encendido permite inmovilizar el gatillo del interruptor en la posición de **ON (ENCENDIDO)**. Asegurando el gatillo del interruptor en la posición de encendido permite utilizar la lijadora durante períodos de tiempo prolongados.

## GATILLO DEL INTERRUPTOR

Para **ENCENDER** la lijadora, oprima el gatillo del interruptor. Para **APAGAR** la lijadora, suelte el interruptor de gatillo.

## TORNILLO DE ALINEACIÓN

La tornillo de alineación permite ajustar con facilidad la alineación de la banda.

## SELECTOR DE VELOCIDAD

El control de velocidad permite que la lijadora desarrolle en vacío velocidades de 122 a 290 m/min (400 a 950 pies/min) con sólo girar el selector giratorio de la **A (la más lenta)** a la **F (la más rápida)**.

## ARMADO

### DESEMPAQUETADO

Embarcamos este producto completamente armado.

- Extraiga cuidadosamente de la caja el producto y los accesorios. Asegúrese de que estén presentes todos los artículos enumerados en la lista de empaquetado.

### ADVERTENCIA:

No use este producto si no está totalmente ensamblado o si alguna pieza falta o está dañada. Si utiliza un producto que no se encuentra ensamblado de forma correcta y completa, puede sufrir lesiones graves.

- Inspeccione cuidadosamente el producto para asegurarse de que no haya sufrido ninguna rotura o daño durante el transporte.
- No deseche el material de empaquetado hasta que haya inspeccionado cuidadosamente el producto y la haya utilizado satisfactoriamente.
- Si hay piezas dañadas o faltantes, le suplicamos llamar al 1-866-539-1710, donde le brindaremos asistencia.

### LISTA DE EMPAQUETADO

Lijadora de banda de velocidad variable  
Saco captapolvo  
Banda de lija  
Manual del operador

### ADVERTENCIA:

Si falta o está dañada alguna pieza, no utilice este producto sin haber reemplazado la pieza. Usar este producto con partes dañadas o faltantes puede causar lesiones serias al operador.

### ADVERTENCIA:

No intente modificar este producto ni hacer accesorios no recomendados para la misma. Cualquier alteración o modificación constituye maltrato el cual puede causar una condición peligrosa, y como consecuencia posibles lesiones corporales serias.

### ADVERTENCIA:

No conecte la unidad al suministro de corriente antes de terminar de armarla. De lo contrario la unidad puede ponerse en marcha accidentalmente, con el consiguiente riesgo de lesiones serias.

# FUNCIONAMIENTO

## ADVERTENCIA:

No permita que su familiarización con los productos lo vuelva descuidado. Tenga presente que un descuido de un instante es suficiente para causar una lesión grave.

## ADVERTENCIA:

Siempre póngase protección ocular con la marca de cumplimiento de la norma ANSI Z87.1. Si no cumple esta advertencia, los objetos que salen despedidos pueden producirle lesiones serias en los ojos.

## ADVERTENCIA:

No utilice ningún aditamento o accesorio no recomendado por el fabricante de este producto. El empleo de aditamentos o accesorios no recomendados podría causar lesiones serias.

## ADVERTENCIA:

Antes de conectar la lijadora al suministro de voltaje, asegúrese de que no esté puesto el seguro de encendido. La inobservancia de esta advertencia puede causar un arranque accidental de la herramienta, y por consecuencia posibles lesiones serias.

## USOS

Este producto puede emplearse para los fines enumerados abajo:

- Lijado de madera, metales y plásticos
- Alisado de tablas ásperas, achaflanado y redondeado de bordes
- Remoción de herrumbre, pintura, barniz y manchas

## ADVERTENCIA:

Si empieza a generar polvo el trabajo de lijado, o si usted padece un problema de respiración, póngase una mascarilla para el polvo o un respirador para evitar dañarse la salud.

## SELECCIÓN DE BANDAS DE LIJA

La selección de la banda de lija del tamaño y tipo adecuados es un paso importante en el logro de un lijado con acabado de alta calidad. Los abrasivos de óxido de aluminio, de carburo de silicón y otros productos sintéticos son los mejores para el lijado con herramientas eléctricas.

En general, al lijar, el grano grueso elimina más material, y el grano fino produce mejor acabado. El estado de la superficie por lijar determina cuál grano es el más adecuado. Si la superficie está áspera, comience con un grano grueso y líjela hasta que quede uniforme. Después utilice un grano mediano para eliminar los rasguños producidos por el grano grueso. Finalmente utilice un grano fino para acabar la superficie. Siempre continúe lijando con cada grano hasta que esté uniforme la superficie.

## AJUSTE DE LA VELOCIDAD DE LA LIJADORA DE BANDA

Consulte el cuadro mostrado abajo si desea ver los ajustes de velocidad adecuados.

MATERIAL	VELOCIDAD						GRANO DE LA BANDA DE LIJA					
	A	B	C	D	E	F	40	60	80	100	150	240
MADERA SIN CEPILLAR					★	★	●	●				
MADERA DE CONÍFERAS		★								●	●	
MADERA AGLOMERADA				★	★			●	●			
MADERA	★	★										●
REMOCIÓN DE HERRUMBRE			★	★			●	●				
SUPERFICIE PINTADA					★	★	●	●				
METAL NO FERROSO			★						●	●		

# FUNCIONAMIENTO

## SELECTOR DE VELOCIDAD

Vea la figura 2, página 14.

La lijadora dispone de un selector de velocidad, de **A (la más lenta)** a **F (la más rápida)**, diseñado para permitir al operador controlar la velocidad de la banda. Para aumentar la velocidad de la banda de lija, gire el selector de velocidad a una marca superior. Para disminuir la velocidad de la banda de lija gire el selector a una marca inferior. Consulte el cuadro de la página 9 si desea ver los ajustes de velocidad adecuados.

## COLOCACIÓN CORRECTA DE LAS MANOS

Vea la figura 3, página 14.

Los mangos delantero y trasero permiten manejar la unidad con las dos manos, lo cual ayuda a mantener el control, a mantener el área de lijado de la unidad a nivel con la pieza de trabajo, y a mantener las manos alejadas de la banda de lija. Al llevar o utilizar la lijadora, siempre sujete el mango delantero con la mano izquierda y el mango trasero con la mano derecha.

### **ADVERTENCIA:**

En todo momento mantenga las manos y los dedos alejados de la banda de lija en movimiento, del rodillo delantero (el de giro libre) y del ensamble del rodillo de impulsión. De lo contrario las manos o los dedos pueden resultar seriamente lesionados por la lija.

### **ADVERTENCIA:**

No permita que los dedos descansen en los bordes delantero o trasero de la lijadora. Si la banda de lija se sale de su lugar, o si no estaba debidamente ajustada, los dedos podrían tocar la banda en movimiento y podrían producirse lesiones serias.

## ENCENDIDO Y APAGADO DE LA LIJADORA

Vea la figura 4, página 14.

- Para encender la lijadora: Oprima el gatillo del interruptor.
- Para apagar la lijadora: Suelte el gatillo del interruptor.

## CARACTERÍSTICA DE ARRANQUE SUAVE

El arranque suave es una característica mediante la cual la velocidad del motor asciende gradualmente a la velocidad máxima seleccionada. Por ejemplo, cuando se selecciona una velocidad con el selector limitador de velocidad y se apaga la lijadora y luego se activa de nuevo, ésta desarrolla gradualmente la velocidad del ajuste previo una vez que se oprime de nuevo el gatillo del interruptor.

## PARA INSTALAR Y CAMBIAR LA BANDA DE LIJA

Vea las figuras 5 y 6, página 14.

- Desconecte la lijadora.
- Coloque la lijadora en la posición que se indica.

### **ADVERTENCIA:**

En todo momento mantenga las manos y los dedos alejados de ambos rodillos y del mecanismo de resorte. De lo contrario pueden resultar pellizcados los dedos, con el consiguiente riesgo de lesiones serias.

Para instalar o retirar la banda de lija es necesario liberar la tensión de la banda:

- Para liberar la tensión de la banda es necesario levantar la palanca de tensión.
- Instale la banda de lija; cerciórese que la flecha en el interior de la banda esté apuntando en la dirección de giro, la cual es a la derecha cuando se observa la lijadora desde el costado abierto de la lijadora.

**NOTA:** Oriente la flecha de la banda de lija como indica la del alojamiento.

### **PRECAUCIÓN:**

Si la banda de lija no es bidireccional, asegúrese de que la flecha impresa en el interior de la banda apunte en la dirección de desplazamiento (hacia la derecha, vista desde el lado abierto de la lijadora). Si se instala en dirección inversa una banda unidireccional, puede suscitarse una condición de peligro.

- Alinee la banda de lija para dejarla en la posición correcta.
- Baje la palanca de afloje de tensión para asegurar la banda de lija.

**NOTA:** Esta lijadora está equipada con alineación automática, que en la mayoría de los casos, hará que la banda de lija permanezca centrada. Si la banda de lija no permanece en el área central, puede ser necesario ajustar manualmente la alineación de la banda. Para realizar el ajuste manual, vea **Ajuste manual de la alineación de la banda de lija** en la sección *Ajustes* de este manual.

## ASEGURAMIENTO DE LA LIJADORA EN LA POSICIÓN DE ENCENDIDO

Vea la figura 7, página 15.

El seguro de encendido permite inmovilizar el gatillo del interruptor en la posición de **ON (ENCENDIDO)**. Asegurando el gatillo del interruptor en la posición de encendido permite utilizar la lijadora durante periodos de tiempo prolongados.

Si tiene el seguro de encendido puesto al usar la lijadora y ésta se desconecta accidentalmente del suministro de voltaje, quite el seguro de encendido de inmediato. Además, no asegure el gatillo del interruptor si fuera a necesitar apagar súbitamente la lijadora.

**Para asegurar la lijadora en la posición de encendido:**

- Oprima el gatillo del interruptor.
- Oprima el botón del seguro de encendido.
- Suelte el gatillo del interruptor.
- Suelte el botón del seguro de encendido.

**NOTA:** Para quitar el seguro, oprima el gatillo del interruptor y suéltelo.

# FUNCIONAMIENTO

## UTILIZACIÓN DE LA LIJADORA

Vea la figura 8, página 15.

Fije con prensas o asegure de alguna manera la pieza de trabajo para evitar que se mueva bajo la lijadora.

### ADVERTENCIA:

Si no se asegura la pieza de trabajo, puede salir lanzada hacia el operador y causarles lesiones.

Antes de colocar la lijadora sobre la superficie de trabajo, oprima el gatillo del interruptor y deje que el motor alcance su velocidad máxima, después descienda la lijadora sobre la superficie de trabajo con un leve movimiento hacia adelante. Utilice el mango trasero para controlar la lijadora y el mango delantero sólo para guiarla, muévela lentamente sobre la pieza de trabajo. Si se permite que la lijadora permanezca en un lugar se produce una superficie desigual.

### ADVERTENCIA:

Sujete firmemente la lijadora con ambas manos todo el tiempo. La inobservancia de esta advertencia puede causar la pérdida del control y por consiguiente posibles lesiones serias.

La lijadora está diseñada para aplicar un peso adecuado en la banda de lija.

**Si se aplica una presión excesiva se producen los siguientes efectos:**

- Trabajo desigual.
- Emplastamiento de la banda de lija.
- Desgaste prematuro de la banda de lija.
- La velocidad de remoción de material **no** aumentará.
- Daño al motor.
- Alineación irregular de la banda de lija.

**NOTA:** Si al lijar se desplaza la banda de lija, quizá esté aplicando demasiada presión. Cuando ocurra tal cosa, retire la lijadora de la pieza de trabajo. Si ajusta adecuadamente la alineación de la banda, ésta regresará a su posición normal y correcta en el rodillo de impulsión y en el frontal.

Para lijado basto utilice una banda de lija de grano más grueso, en lugar de aplicar más presión. Esto es de suma importancia. El peso de la herramienta está diseñado para lograr la presión más eficiente en la ubicación apropiada.

**NOTA:** El rodillo delantero de la lijadora no está diseñado para el lijado de contornos. Lijar con el rodillo delantero podría causar una irregularidad en la alineación de la banda de lija y dañar el rodillo delantero de la lijadora.

### PRECAUCIÓN:

Lijar con el rodillo delantero puede causar que la herramienta rebote hacia el operador y presentar un riesgo de posibles lesiones.

### ADVERTENCIA:

La lijadora está diseñada para utilizarse como se muestra en la figura 8, página 15 con ambas manos en la herramienta en todo momento para máximo control. Nunca use la herramienta en áreas elevadas o de forma invertida de la posición de funcionamiento adecuada, puede causar lesiones personales graves.

### ADVERTENCIA:

No use el saco captapolvo al lijar metal. Si utiliza el saco captapolvo al lijar metal se genera un peligro de fuego, el cual puede causar daños a la herramienta y lesiones corporales serias.

## SACO CAPTAPOLVO

Vea la figura 9, página 15.

El saco captapolvo sirve de sistema de captación de polvo de la lijadora. Se lo debe instalar sobre el orificio de escape ubicado en uno de los costados de la lijadora. Para lograr un desempeño eficiente de la unidad, vacíe el saco captapolvo cuando esté lleno a la mitad.

**No** conecte la lijadora al suministro de corriente antes de instalar el saco captapolvo.

**Para instalar o retirar el saco captapolvo:**

- Desconecte la lijadora.
- Coloque la abertura del saco captapolvo sobre el orificio de escape de la lijadora de manera que quede alineado con la muesca en el interior de la abertura del saco captapolvo con la ranura en el orificio de escape.

## PARA VACIAR EL SACO CAPTAPOLVO:

Vea la figura 10, página 15.

Para lograr un desempeño más eficiente de la unidad, vacíe el saco captapolvo antes de que se llene a la mitad. De esta manera se permite que el aire fluya mejor a través del saco. Siempre vacíe y limpie a fondo el saco captapolvo al completar una operación de lijado y antes de guardar la lijadora.

### ADVERTENCIA:

El polvo recolectado durante el lijado de capas de acabado como poliuretano, aceite de linaza, etc., puede inflamarse por sí solo en el saco captapolvo o en otra parte, y puede causar un incendio. Para reducir el riesgo de incendio siempre vacíe con frecuencia el saco captapolvo mientras está lijando. **Nunca** guarde ni deje la lijadora sin haber vaciado completamente el saco. También siga las recomendaciones de los fabricantes de acabados.

**Para vaciar el saco captapolvo:**

- Desconecte la lijadora.
- Retire de la lijadora el saco captapolvo.
- Abra la cremallera.
- Sacuda el polvo.
- Vuelva a colocar en la lijadora del saco captapolvo.



# AJUSTES

---

## AJUSTE MANUAL DE LA ALINEACIÓN DE LA BANDA DE LIJA

Vea la figura 11, página 15.

Esta lijadora tiene un sistema de alineación automática diseñado para mantener centrada la banda de lija. Si se desea lijar cantos, es necesario ajustar manualmente la banda.

### Para ajustar manualmente la posición de la banda:

- Conecte la lijadora y la aspiradora al suministro de corriente.
- Configure el selector de velocidad variable en el ajuste más bajo (A).
- Coloque la lijadora en la posición indicada, tire del gatillo del interruptor.

**NOTA:** Esta posición es exclusivamente para ajustes. Al realizar los ajustes de alineación de la banda, no se debe permitir el contacto de la banda de lija con la pieza de trabajo ni con objeto extraño alguno.

- Lentamente gire el tornillo de alineación hacia la derecha hasta que la banda de lija se encuentre en el borde de la platina. No permita que la banda de lija sobresalga del borde de la platina.



### ADVERTENCIA:

Mantenga las manos y los dedos lejos de la banda de lija en movimiento. Cualquier parte del cuerpo que toque la banda de lija en movimiento puede resultar lesionada seriamente. Cuando utilice la lijadora no vista ropas holgadas ni joyas. Podrían engancharse en las piezas móviles y objetos extraños podrían salir lanzados de la lijadora, lo cual podría causar lesiones.

- Cuando haya terminado de lijar los cantos, vuelva a colocar la banda en la posición central prefijada. Para ello, gire el tornillo de alineación hacia la izquierda hasta que la banda esté colocada correctamente.

# MANTENIMIENTO

---



### ADVERTENCIA:

Para el servicio de la unidad sólo utilice piezas de repuesto idénticas. El empleo de piezas diferentes puede causar un peligro o dañar el producto.



### ADVERTENCIA:

Siempre póngase protección ocular con la marca de cumplimiento de la norma ANSI Z87.1. Si no cumple esta advertencia, los objetos que salen despedidos pueden producirle lesiones serias en los ojos.

## MANTENIMIENTO GENERAL

Evite el empleo de solventes al limpiar piezas de plástico. La mayoría de los plásticos son susceptibles a diferentes tipos de solventes comerciales y pueden resultar dañados. Utilice paños limpios para eliminar la suciedad, el polvo, el aceite, la grasa, etc.



### ADVERTENCIA:

No permita en ningún momento que fluidos para frenos, gasolina, productos a base de petróleo, aceites penetrantes, etc., lleguen a tocar las piezas de plástico. Las sustancias químicas pueden dañar, debilitar o destruir el plástico, lo cual a su vez puede producir lesiones corporales serias.

Las herramientas eléctricas que se utilizan en materiales de fibra de vidrio, paneles de yeso para paredes, compuestos de resanar o yeso, están sujetas a desgaste acelerado y posible fallo prematuro porque las partículas y limaduras de fibra de vidrio son altamente abrasivas para los cojinetes, escobillas, conmutadores, etc. Por consiguiente, no recomendamos el uso de esta herramienta durante períodos prolongados de trabajo en estos tipos de materiales. Sin embargo, si usted trabaja con cualquiera de estos materiales, es sumamente importante limpiar la herramienta con aire comprimido.

## LUBRICACIÓN

Todos los cojinetes de esta herramienta están lubricados con suficiente cantidad de aceite de alta calidad para toda la vida útil de la unidad en condiciones normales de funcionamiento. Por lo tanto, no se necesita lubricación adicional.

## REEMPLAZO DE LAS ESCOBILLAS

Vea la figura 12, página 15.

**NOTA:** Esta lijadora de banda está equipada con escobillos de acceso externo.

- Desconecte la lijadora.



### ADVERTENCIA:

Si no se desconecta la herramienta puede ponerse en marcha accidentalmente, con el consiguiente riesgo de lesiones serias.

---

# MANTENIMIENTO

---

- Retire las 2 tapas de las escobillas con un destornillador.
- Retire los conjuntos de las escobillas (2).
- Efectúe una inspección para ver si hay desgaste. Reemplace ambos conjuntos de las escobillas cuando uno u otro tenga menos de 6,4 mm (1/4 pulg.) de carbón restante.  
**NOTA:** No reemplace un solo lado sin reemplazar el otro.
- Vuelva a armar la unidad empleando conjuntos de escobillas nuevos. Asegúrese de que la curvatura de la escobillas corresponda a la del motor y de que las escobillas se muevan libremente en los tubos de las mismas.
- Vuelva a armar la unidad; para ello, siga en sentido inverso los pasos enumerados arriba.
- Apriete firmemente la tapas de las dos escobillas. **No aplique un apriete excesivo.**

## BANDA DE TEMPORIZACIÓN

*Vea la figura 13, página 15.*

- Desconecte la lijadora.
- Retire el saco captapolvo.

- Retire de la lijadora la banda de lija. Siga las instrucciones de la página 9 para retirar la banda de lija.

**NOTA:** Con el desmontaje de la banda de lija se simplifica el proceso de instalación de una nueva banda de temporización.

- Retire el tornillo de la cubierta de la banda y la cubierta misma.
- Con un destornillador, extraiga de una de las poleas pequeñas la banda de temporización gastada y retírela mientras gira la polea grande. Si está gastada, sencillamente córtela y reemplácela.
- Instale la nueva banda de temporización, primero sobre la polea grande y una de las poleas pequeñas.
- Apoye la banda sobre la otra polea pequeña y gire la polea grande a medida que coloca la banda sobre la polea.
- Vuelva a ensamblar la cubierta de la banda y el tornillo.
- Apriete firmemente el tornillo.
- Instale la banda de lija.



### **ADVERTENCIA:**

Nunca intente accionar la lijadora de banda sin la cubierta de la banda en posición.

---

# GARANTÍA

---

## HERRAMIENTAS ELÉCTRICAS DE MANO Y ESTACIONARIAS RIDGID® GARANTÍA DE SERVICIO LIMITADA DE 3 AÑOS

Debe presentarse prueba de la compra al solicitar servicio al amparo de la garantía.

Se limita a las herramientas de mano y estacionarias RIDGID® adquiridas a partir del 1.º/Feb./04. Este producto está manufacturado por One World Technologies, Inc. La licencia de uso de la marca comercial es otorgada por RIDGID, Inc. Toda comunicación en relación con la garantía debe dirigirse a One World Technologies, Inc., a la atención de: Servicio Técnico de Herramientas Eléctricas de Mano y Estacionarias RIDGID, al (línea gratuita) 1-866-539-1710.

### POLÍTICA DE GARANTÍA DE SATISFACCIÓN DE 90 DÍAS

Durante los primeros 90 días a partir de la fecha de compra, si no está satisfecho con el desempeño de esta herramienta de mano o estacionaria RIDGID® por cualquier razón, puede devolverla al establecimiento donde la adquirió, donde se le proporcionará un reembolso total o un intercambio. Para recibir una herramienta de reemplazo, debe presentar documentación de prueba de la compra, y devolver el equipo original empaquetado con el producto original. La herramienta de reemplazo queda cubierta por la garantía limitada por el resto del período de garantía de servicio de 3 AÑOS.

### LO QUE ESTÁ CUBIERTO EN LA GARANTÍA DE SERVICIO LIMITADA DE 3 AÑOS GARANTÍA DE SERVICIO LIMITADA

Esta garantía de las herramientas de mano y estacionarias RIDGID® cubre todos los defectos en materiales y mano de obra, así como piezas desgastables como escobillas, portabrocas, motores, interruptores, cordones eléctricos, engranajes e incluso las pilas inalámbricas de esta herramienta RIDGID® por tres años a partir de la fecha de compra de la herramienta. Las garantías de otros productos RIDGID® pueden ser diferentes.

### FORMA DE OBTENER SERVICIO

Para obtener servicio para esta herramienta RIDGID®, debe devolverla, ya sea con el flete pagado por anticipado, o llevarla a un centro de servicio autorizado para herramientas eléctricas de mano y estacionarias de la marca RIDGID®. Puede obtener información sobre la ubicación del centro de servicio autorizado más cercano llamando al 1-866-539-1710 (línea gratuita) o dirigiéndose al sitio electrónico de RIDGID® en Internet, en [www.ridgid.com](http://www.ridgid.com). Al solicitar servicio al amparo de la garantía, debe presentar el recibo de venta fechado original. El centro de servicio autorizado reparará toda mano de obra deficiente del producto, y reparará o reemplazará cualquier pieza cubierta en la garantía, a nuestra sola discreción, sin ningún cargo al consumidor.

### LO QUE NO ESTÁ CUBIERTO

Esta garantía se ofrece exclusivamente al comprador original al menudeo y no puede transferirse. Esta garantía sólo cubre defectos que surjan en el uso normal de la herramienta y no cubre ningún malfuncionamiento, falla o defecto producido por el uso indebido, maltrato, negligencia, alteración, modificación o reparación efectuada por terceros diferentes de los centros de servicio autorizados de herramientas eléctricas de mano y estacionarias RIDGID®. No están cubiertos los accesorios suministrados con la herramienta, como las hojas, brocas, papel de lija, etc.

**RIDGID, INC. Y ONE WORLD TECHNOLOGIES, INC. NO OFRECEN NINGUNA GARANTÍA, DECLARACIÓN O PROMESA EN RELACIÓN CON LA CALIDAD O EL DESEMPEÑO DE SUS HERRAMIENTAS ELÉCTRICAS MÁS QUE LAS SEÑALADAS ESPECÍFICAMENTE EN ESTA GARANTÍA.**

### LIMITACIONES ADICIONALES

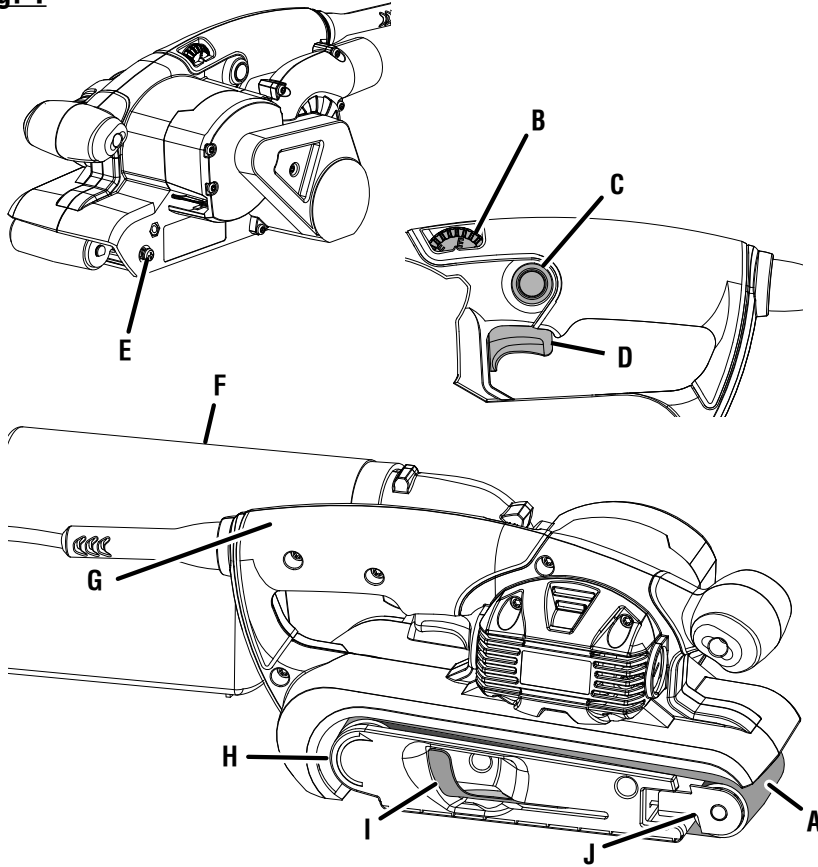
Hasta donde lo permiten las leyes relevantes, se desconoce toda garantía implícita, incluidas las garantías de comerciabilidad o idoneidad para un uso en particular. Toda garantía implícita, incluidas las garantías de comerciabilidad o idoneidad para un uso en particular, que no pueda desconocerse según las leyes estatales, está limitada a tres años a partir de la fecha de compra. One World Technologies, Inc. y RIDGID, Inc. no son responsables de daños directos, indirectos, incidentales o consecuentes. Algunos estados no permiten limitaciones en cuanto al período de vigencia de una garantía implícita y/o no permiten exclusiones o limitaciones de daños incidentales o consecuentes, por lo tanto es posible que esta limitación no se aplique en el caso de usted. Esta garantía le confiere derechos legales específicos, y es posible que usted goce de otros derechos, los cuales pueden variar de estado a estado.

---

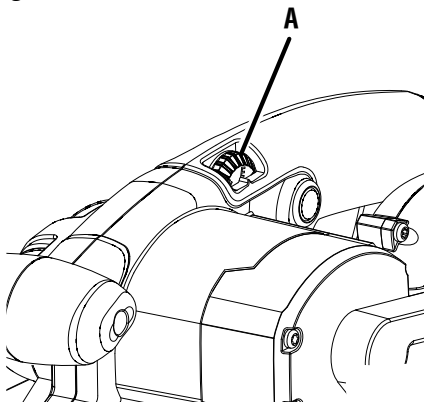
**One World Technologies, Inc.**

P.O. Box 35, Hwy. 8  
Pickens, SC 29671, USA

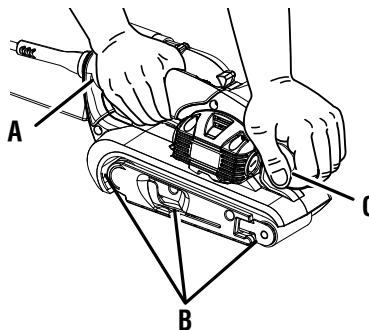
---

**Fig. 1**

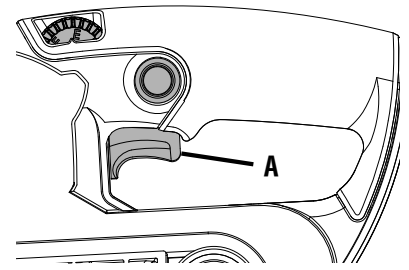
- A - Sanding belt (bande abrasive, banda de lija)
- B - Variable speed control dial (commande de vitesse variable, selector de velocidad)
- C - Lock-on button (bouton de verrouillage, botón del seguro de encendido)
- D - Switch trigger (gâchette, gatillo del interruptor)
- E - Tracking screw (vis de centrage, tornillo de alineación)
- F - Dust bag (sac à poussière, sacco captapolvero)
- G - Rear handle (poignée arrière, mango trasero)
- H - Drive roller (rouleau d'entraînement, rodillo de impulsión)
- I - Belt tension release lever (levier de soulagement de tension de la bande, palanca de afloje de tensión de la banda)
- J - Front roller (rouleau avant, rodillo frontal)

**Fig. 2**

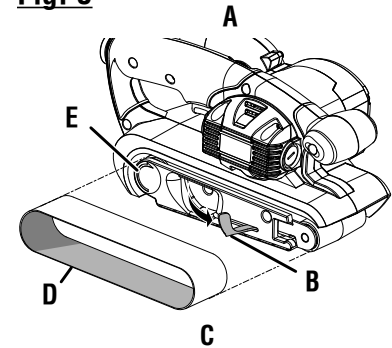
- A - Variable speed control dial [A to F] (commande de vitesse variable [réglages A à F], selector de control de velocidad variable [de la 'A' a la 'F'])

**Fig. 3**

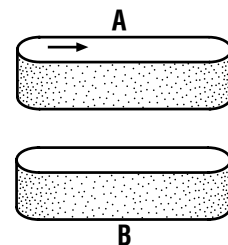
- A - Rear handle (poignée arrière, mango trasero)
- B - Keep hands and fingers away from these areas at all times (toujours garder les mains à l'écart de ces points, mantenga alejados de estas áreas los dedos y las manos en todo momento)
- C - Front handle (poignée avant, mango delantero)

**Fig. 4**

- A - Switch trigger (gâchette, gatillo del interruptor)

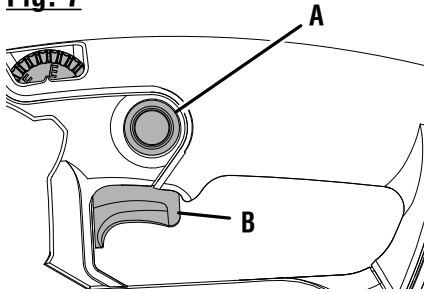
**Fig. 5**

- A - Lift belt tension release lever to remove sanding belt (relever le levier de tension pour retirer la bande, levante la palanca de liberación de tensión de la banda para retirar la banda de lija)
- B - Belt tension release lever (levier de soulagement de tension de la bande, palanca de afloje de tensión de la banda)
- C - Lower belt tension release lever to secure sanding belt (abaisser le levier de tension pour tendre la bande, baje la palanca de liberación de tensión de la banda para fijar la banda de lija)
- D - Sanding belt (bande abrasive, banda de lija)
- E - Arrow (flèche, flecha)

**Fig. 6**

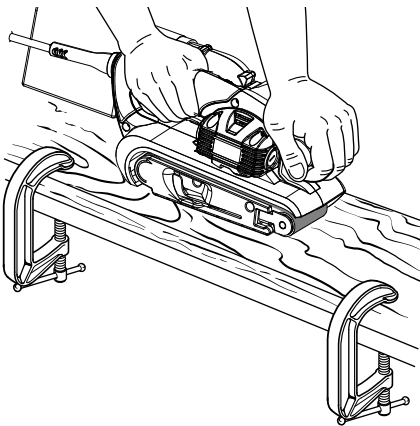
- A - Sanding belts with direction of rotation arrows must be installed correctly (les bandes abrasives unidirectionnelles doivent être installées dans le sens correct, las bandas de lija con flechas de dirección de giro deben instalarse correctamente)
- B - Sanding belts without direction of rotation arrows can be used in either direction (les bandes abrasives bidirectionnelles peuvent être installées dans un sens ou dans l'autre, las bandas de lija sin dirección de giro se pueden utilizar en cualquier dirección)

**Fig. 7**

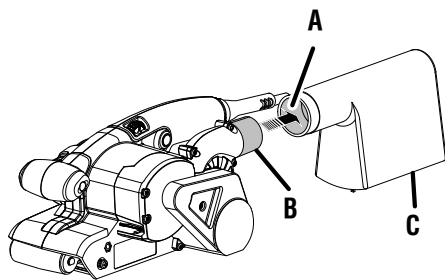


- A - Lock-on button (bouton de verrouillage, botón del seguro de encendido)  
B - Switch trigger (gâchette, gatillo del interruptor)

**Fig. 8**

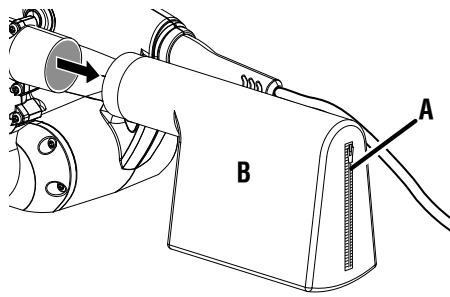


**Fig. 9**



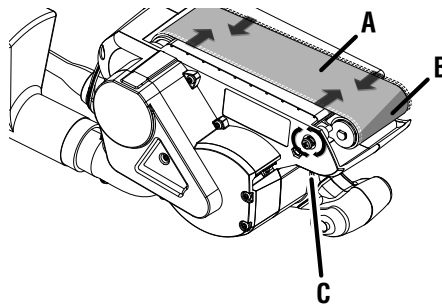
- A - Dust bag opening (ouverture du sac à poussière, abertura del saco captapolvo)  
B - Dust exhaust (sortie de poussière, escape de polva)  
C - Dust bag (sac à poussière, saco captapolvo)

**Fig. 10**



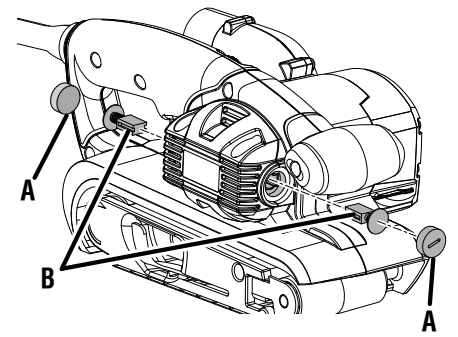
- A - Zipper (fermeture à glissière, cremallera)  
B - Dust bag (sac à poussière, saco captapolvo)

**Fig. 11**



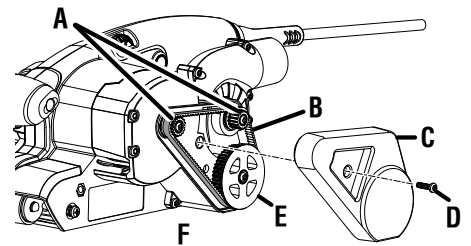
- A - Platen (platine, platina)  
B - Sanding belt (bande abrasive, banda de lija)  
C - Turn tracking screw to adjust sanding belt (tourner la vis de guidage pour ajuster la bande, para ajustar la banda de lija, gire la perilla de alineación)

**Fig. 12**



- A - Brush cap (couverture de balai, tapa de la escobilla)  
B - Brush assembly (balais, conjunto de la escobilla)

**Fig. 13**



- A - Small pulley (petite poulie, polea pequeña)  
B - Timing belt (courroie crantée, banda de temporización)  
C - Belt cover (carter de courroie, cubierta de la correa)  
D - Screw (vis, tornillo)  
E - Large pulley (grande poulie, polea grande)  
F - Sander shown with dust bag and sanding belt removed (ponceuse avec le sac à poussière et la courroie crantée retirés, la lijadora se muestra sin el saco captapolvo ni la banda de lija)





# OPERATOR'S MANUAL

## MANUEL D'UTILISATION

## MANUAL DEL OPERADOR

### 3 in. x 18 in. BELT SANDER DOUBLE INSULATED

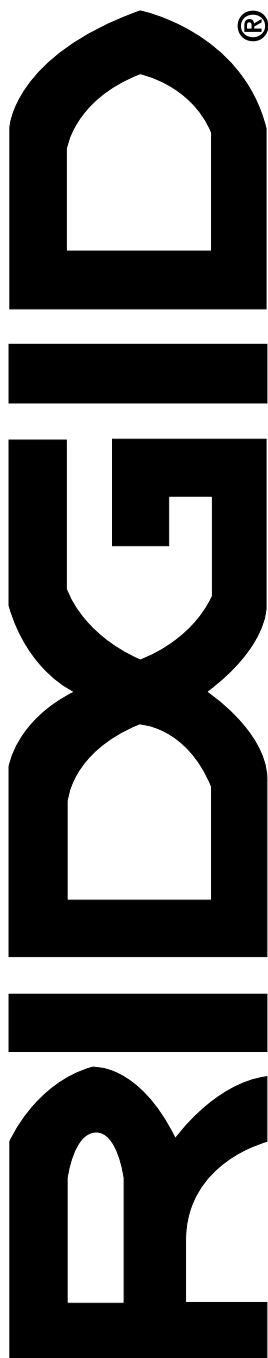
### PONCEUSE À BANDE DE 76 x 457 mm (3 x 18 po)

VITESSE VARIABLE DOUBLE ISOLATION

### LIJADORA DE BANDA DE 76 x 457 mm (3 x 18 pulg.)

VELOCIDAD VARIABLE DOBLE AISLAMIENTO

**R2740**



#### Customer Service Information:

For parts or service, contact your nearest RIDGID® authorized service center. Be sure to provide all relevant information when you call or visit. For the location of the authorized service center nearest you, please call 1-866-539-1710 or visit us online at [www.ridgid.com](http://www.ridgid.com).

The model number of this tool is found on a plate attached to the motor housing. Please record the serial number in the space provided below. When ordering repair parts, always give the following information:

Model No.           R2740          

Serial No.                                 

#### Service après-vente :

Pour acheter des pièces ou pour un dépannage, contacter le centre de réparations RIDGID® agréé le plus proche. Veiller à fournir toutes les informations pertinentes lors de tout appel téléphonique ou visite. Pour obtenir l'adresse du centre de réparations agréé le plus proche, téléphoner au 1-866-539-1710 ou visiter notre site [www.ridgid.com](http://www.ridgid.com).

Le numéro de modèle se trouve sur une plaquette fixée au boîtier du moteur. Noter le numéro de série dans l'espace ci-dessous. Lors de toute commande de pièces détachées, fournir les informations suivantes :

No. de modèle           R2740          

No. de série                                 

#### Información sobre servicio al consumidor:

Para piezas de repuesto o servicio, comuníquese con el centro de servicio autorizado de productos RIDGID® de su preferencia. Asegúrese de proporcionar todos los datos pertinentes al llamar o al presentarse personalmente. Para obtener información sobre el centro de servicio autorizado más cercano a usted, le suplicamos llamar al 1-866-539-1710 o visitar nuestro sitio en la red mundial, en la dirección [www.ridgid.com](http://www.ridgid.com).

El número de modelo de este producto se encuentra en una placa adherida al alojamiento del motor. Le suplicamos anotar el número de serie en el espacio suministrado abajo. Al pedir piezas de repuesto siempre proporcione la siguiente información:

Núm. de modelo           R2740          

Núm. de serie