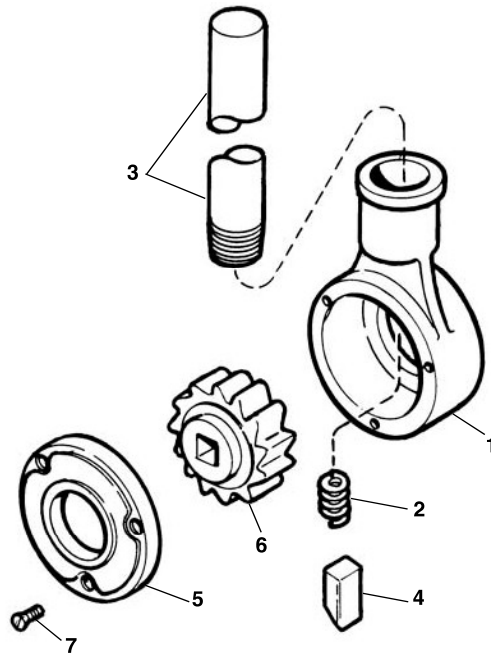


Ratchet and Handle

No. D-1440

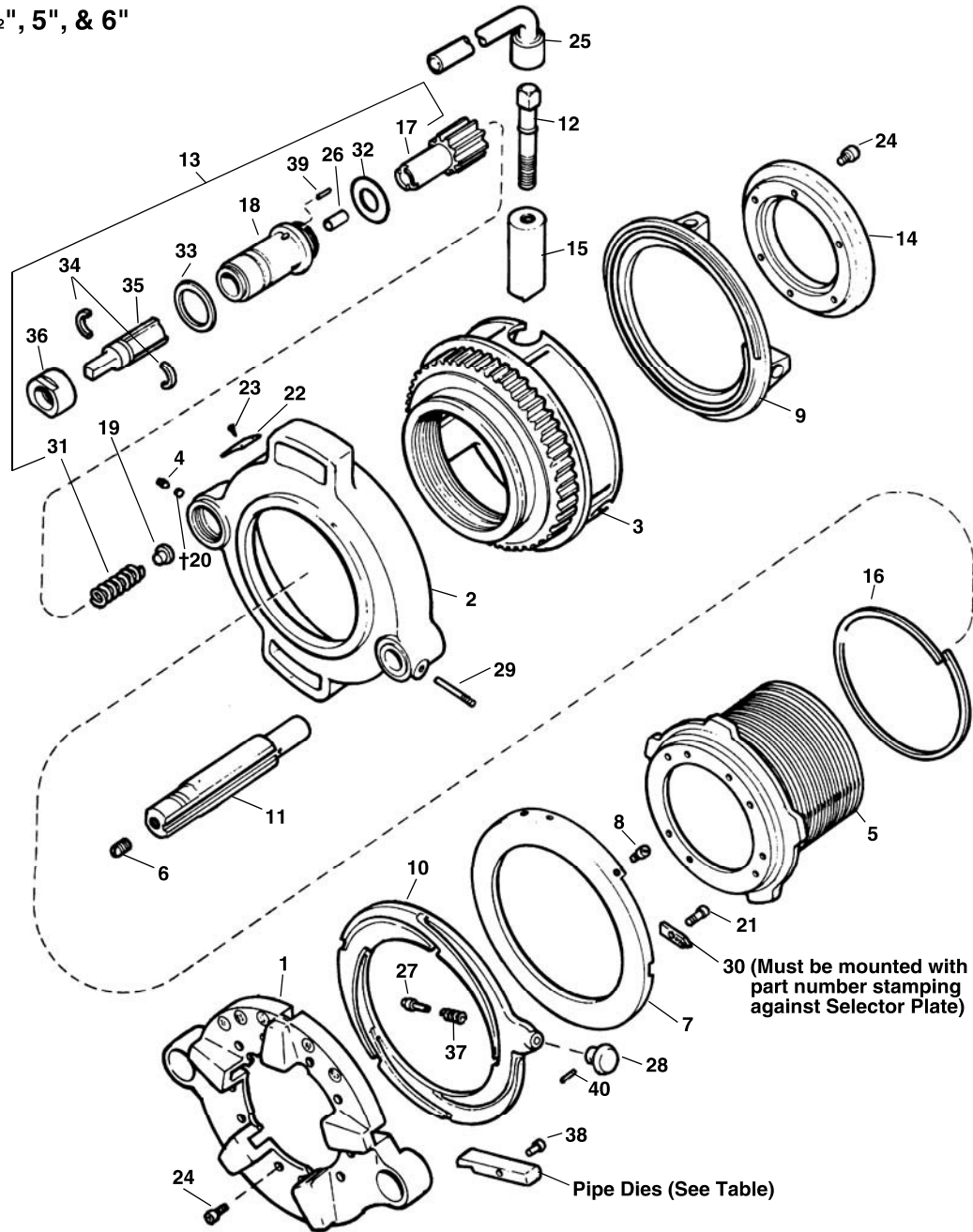
NOTE: Used with Nos. 4PJ, 141 and 161 Threaders. Also fits Toledo-Beaver, Nye & Armstrong 4" Geared Threaders & Cut-off Tools.



NOTE: Order parts by Catalog Number only.
DO NOT order by Reference Number.

Ref. No.	Catalog No.	Description
1	39390	Ratchet Case
2	38695	Pawl Spring
3	39420	Handle
4	39940	Pawl
5	39800	Ratchet Cover
6	39805	Ratchet Wheel
7	39570	Cover Screw (3)

Capacity: 4", 4 1/2", 5", & 6"



**NOTE: Order parts by Catalog Number only.
DO NOT order by Reference Number.**

Ref. No.	Catalog No.	Description	Ref. No.	Catalog No.	Description	Ref. No.	Catalog No.	Description
1	39085	Head	14	39350	Retaining Plate	28	39645	Knob (2)
2	39090	Gear Case	15	39355	Workholder Jaw (3 per set)	29	39650	Screw
3	39095	Workholder (NPT)	16	39430	Gear Case Spring Ring	30	39655	Guide Block
4	58720	Set Screw	17	39365	Pinion Shaft with Gear	31	39660	Spring
5	39160	Threaded Barrel (NPT)	18	39435	Pinion Sleeve	32	39665	Pinion Shaft Ring
6	39780	Set Screw	19	39810	Wear Plug	33	39670	Pressure Ring
7	39165	Selector Plate (NPT)	†20	32755	Nylon Plug	34	39675	Split Ring
	39115	Selector Plate (Cast Iron)	21	39830	Guide Block Screw	35	39680	Drive Shaft
8	39790	Stop Screw	22	39840	Name Plate	36	39685	Retaining Collar
9	39105	Workholder Scroll	23	46870	Drive Screw (4)	37	39690	Spring (2)
10	39310	Cam Plate	24	32270	Screw (16)	38	39700	Die Pin and Clip (Set of 5)
11	39315	Guide Post (NPT)	25	39585	Wrench	39	39705	Pressure Pin (3)
12	39795	Clamp Screw with Clip	26	39630	Center Pin	40	44925	Pin (2)
13	39325	Pinion Shaft Assembly	27	39640	Locating Pin (2)			

† Service Note: Nylon Plug (Ref. No. 20) should be replaced any time pinion shaft assembly (Ref. No. 13) is removed from gear case