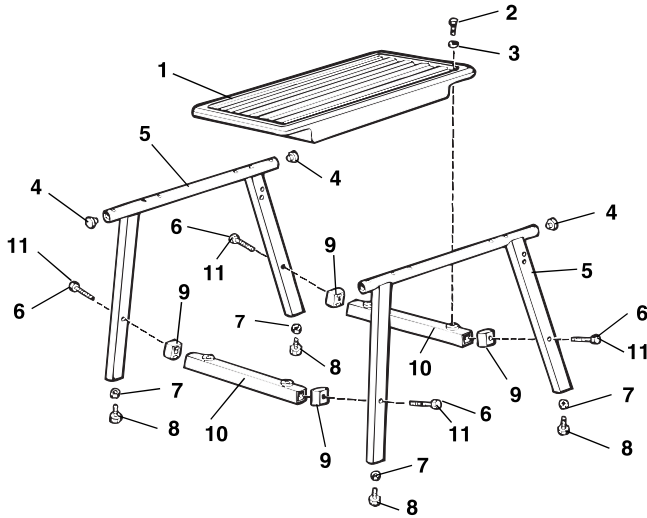


No. 100A Leg and Tray Stand

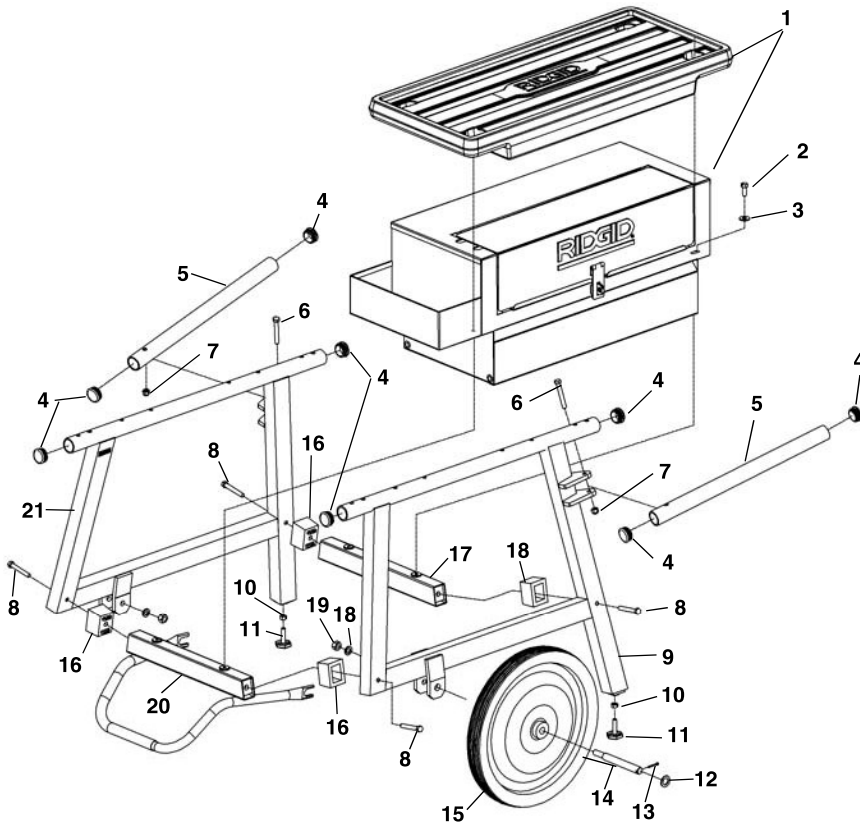


**NOTE: Order parts by Catalog Number only.
DO NOT order by Reference Number.**

| Ref. No. | Catalog No. | Description |
|----------|-------------|--|
| — | 92457 | Leg Stand Assembly |
| 1 | 56872 | Tray |
| 2 | 80030 | Hex Bolt $\frac{3}{8}$ " - 16 x 1" (4) |
| 3 | 44230 | Flat Washer $\frac{3}{8}$ " (4) |
| 4 | 58037 | End Cap (4) |
| 5 | 58022 | Leg (2) |
| 6 | 58052 | Hex Bolt $\frac{3}{8}$ " - 16 x 2 $\frac{1}{2}$ " (4) |
| 7 | 44225 | Hex Nut $\frac{3}{8}$ " - 16 (4) |
| 8 | 58027 | Leveling Pad (4) |
| 9 | 58042 | Spacer (4) - (1224 Machine Only) |
| 10 | 58032 | Cross Member (2) |
| 11 | 58047 | Hex Bolt $\frac{3}{8}$ " - 16 x 4" (4) (1224 & 535 Auto Machine Only) |

NOTE: $\frac{3}{8}$ " - 16 x 4" Bolts and spacers used when mounting 1224 & 535 Auto machines.

No. 150A/200A Wheel and Tray Stands



| Ref. No. | Catalog No. | Description |
|----------|-------------|---|
| — | 92462 | 150A Wheel and Tray Assembly |
| — | 92467 | 200A Wheel and Cabinet Assembly |
| 1 | 56872 | Tray |
| | 22563 | Cabinet |
| 2 | 80030 | Hex Bolt $\frac{3}{8}$ " - 16 x 1" (4) |
| 3 | 44230 | Flat Washer (4) |
| 4 | 58037 | End Cap (6) |
| 5 | 58067 | Handle (2) includes Ref. No. 6 |
| | 34843 | Handle - Type 2 (2) |
| 6 | 46675 | Hex Bolt $\frac{3}{8}$ " - 16 x 2 $\frac{3}{4}$ " (2) |
| 7 | 79985 | Locknut $\frac{3}{8}$ " - 16 (2) |
| 8 | 58052 | Hex Bolt $\frac{3}{8}$ " - 16 x 2 $\frac{1}{2}$ " (4) |
| | 58047 | Hex Bolt $\frac{3}{8}$ " - 16 x 4" (4) (1224 & 535 Automatic Machine Only) |
| 9 | 26788 | Front Leg |
| 10 | 44225 | Hex Nut $\frac{3}{8}$ " - 16 (4) |
| 11 | 58027 | Leveling Pad |
| 12 | 47180 | Washer (2) |
| 13 | 47030 | Cotter Pin (2) |
| 14 | 58072 | Axle (2) |
| 15 | 27442 | Wheel (2) |
| 16 | 58042 | Spacer (4) (1224 & 535 Automatic Machines Only) |
| 17 | 58032 | Front Cross Member |
| 18 | 84150 | Lock Washer $\frac{1}{2}$ " (2) |
| 19 | 44745 | Locknut $\frac{1}{2}$ " (2) |
| 20 | 26798 | Rear Cross Member w/Stand Stop Assembly |
| 21 | 26793 | Rear Leg |

NOTE: $\frac{3}{8}$ " - 16 x 4" bolts and spacers used when mounting 1224 & 535 Auto machines.