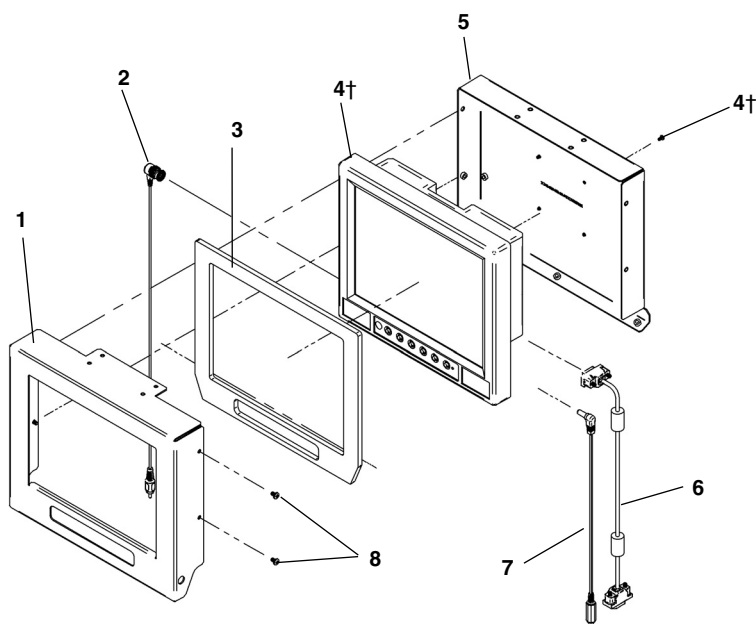


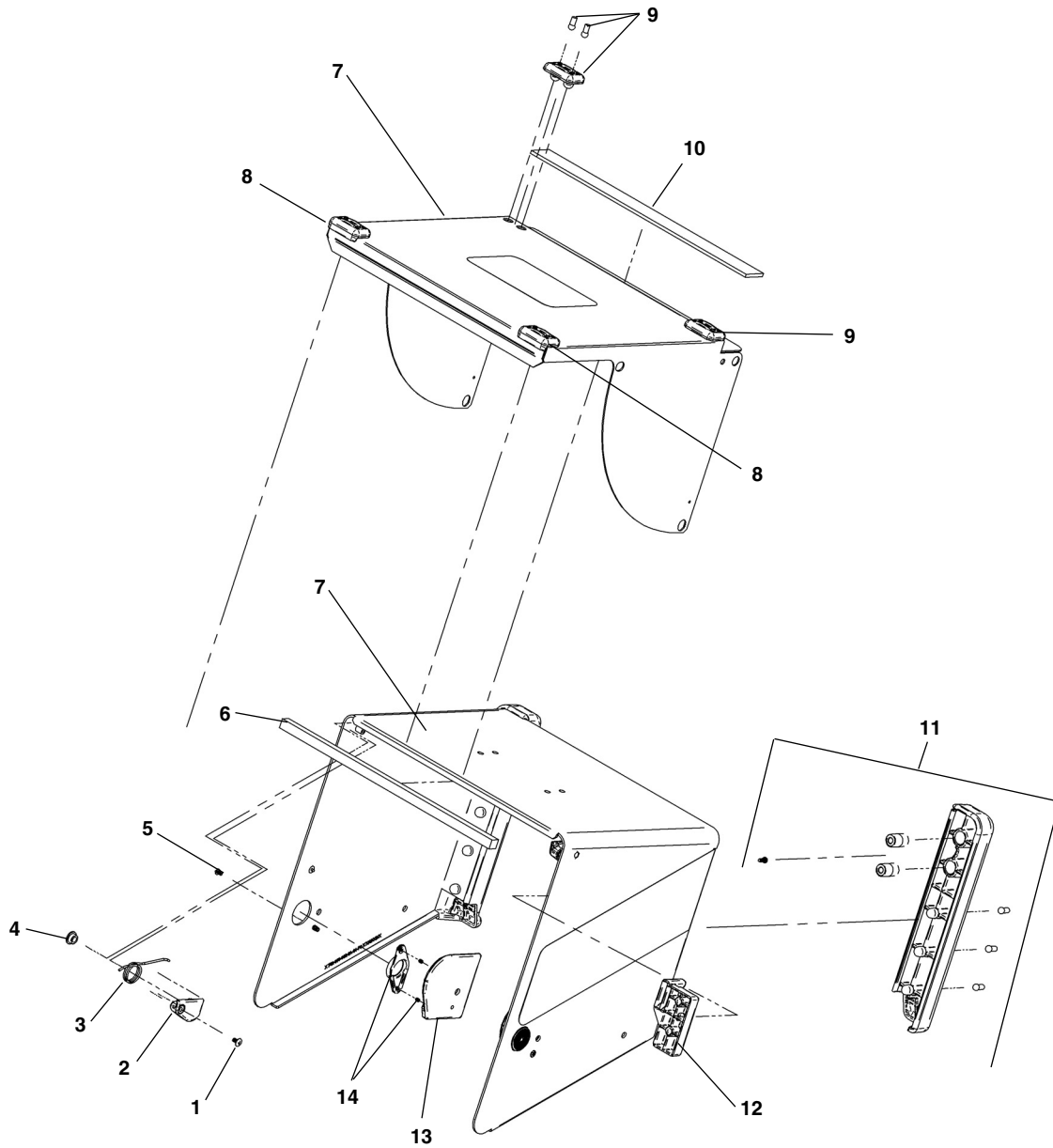
**NOTE: Order parts by Catalog Number only.
DO NOT order by Reference Number.**

| Ref. No. | Catalog No. | Description |
|----------|-------------|--------------------------|
| 1 | 33263 | Shell Asm. |
| 2 | 33268 | Screw 8-32 x 3/8" (8) |
| 3 | 14838 | Handle Asm. |
| 4 | 33273 | Screw 10-32 x 1 3/4" (4) |
| 5 | 33278 | Screw 10-32 x 5/8" (4) |
| 6 | 33283 | Cable Wrap |
| 7 | 33288 | VGA Gasket |
| 8 | 33298 | Screw 8-32 x 1/4" (6) |
| 9 | 33293 | VGA Cover |



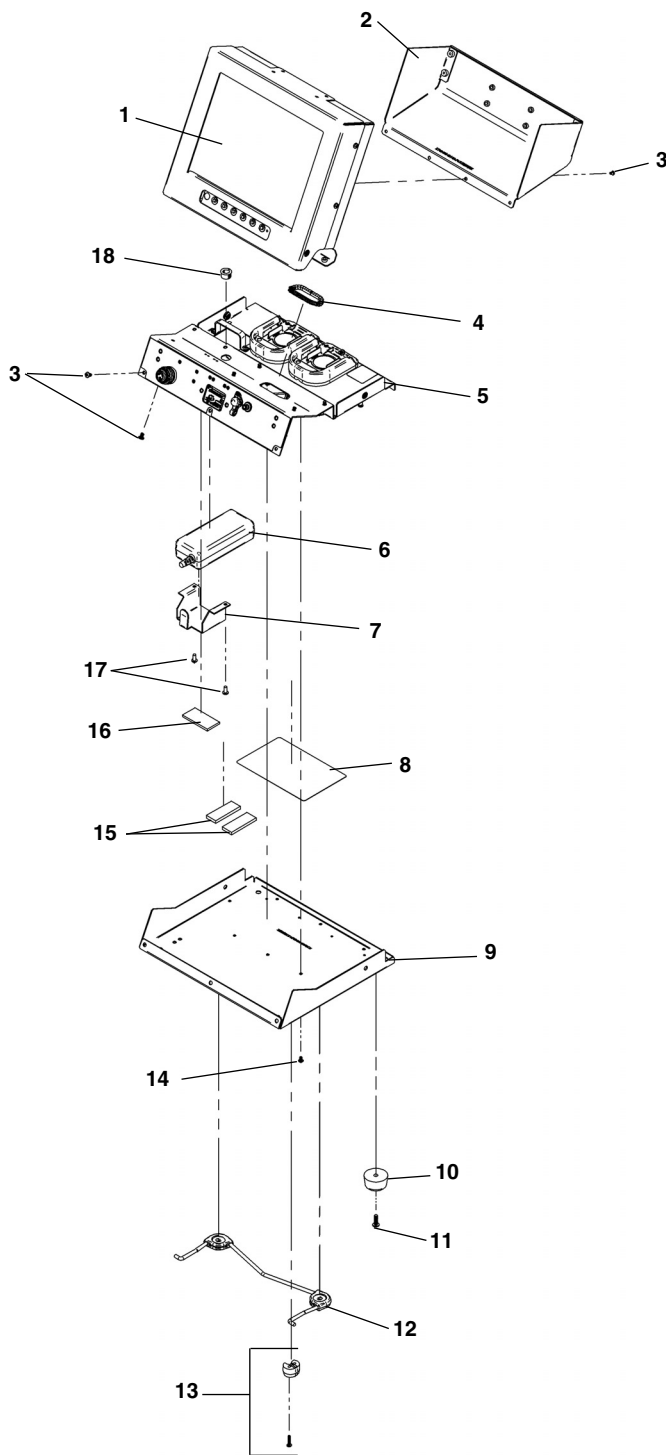
| Ref. No. | Catalog No. | Description |
|----------|-------------|------------------------|
| 1 | 33948 | LCD Cover Plate |
| 2 | 33953 | BNC Cable Asm. |
| 3 | 33958 | LCD Gasket |
| 4 | 33308 | LCD Monitor |
| 5 | 33963 | LCD Mount Plate |
| 6 | 33968 | Male To Male VGA Cable |
| 7 | 33973 | DC Connector Cord |
| 8 | 33298 | Screw, 8-32 x 1/4" (4) |

† Indicates That 4 M4 x 1.0 Screws Are Supplied With LCD Screen



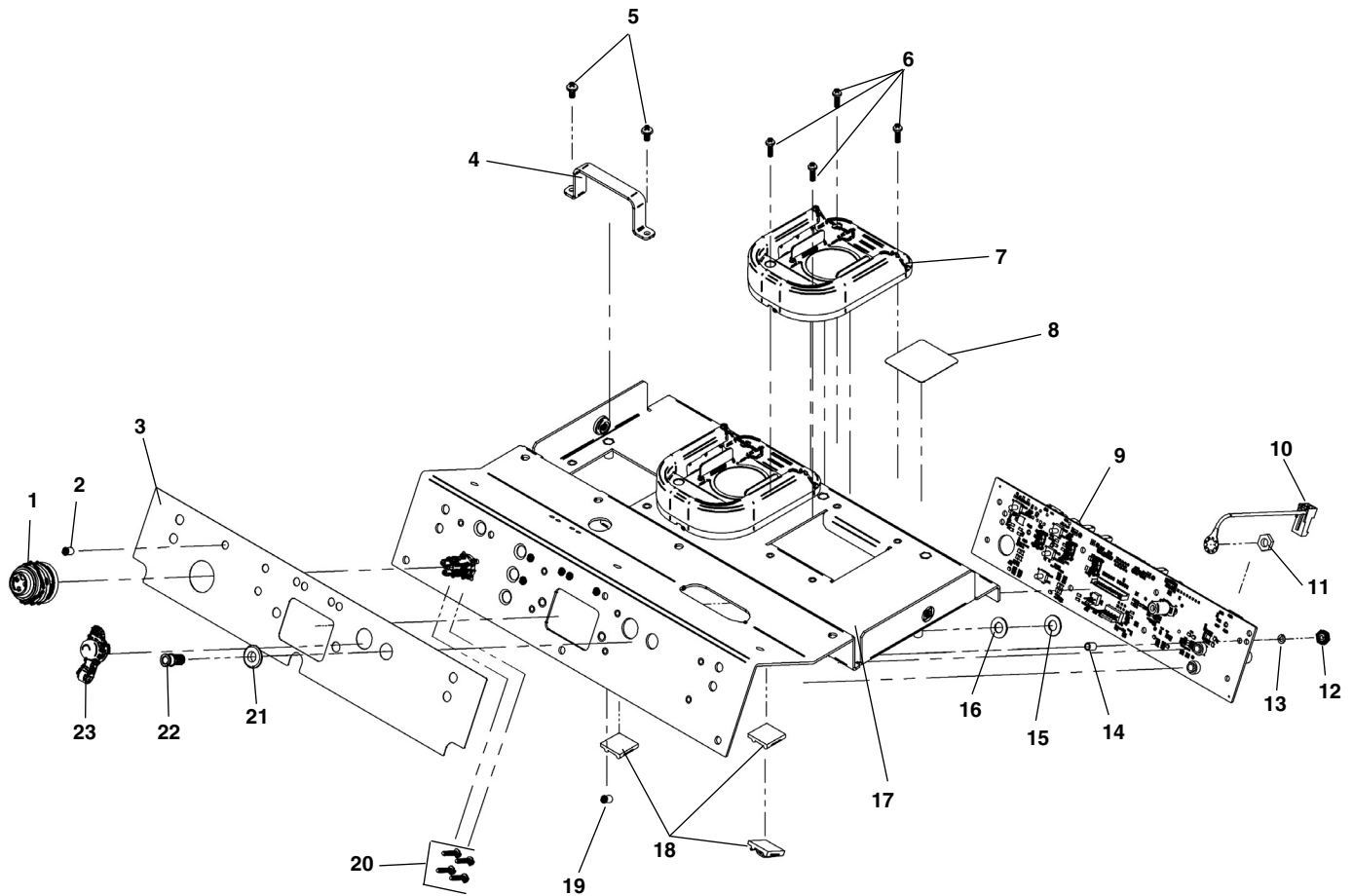
**NOTE: Order parts by Catalog Number only.
DO NOT order by Reference Number.**

| Ref. No. | Catalog No. | Description | Ref. No. | Catalog No. | Description |
|----------|-------------|--|----------|-------------|---------------------------------|
| 1 | 33518 | Screw, 6-32 x 1/4" (2) | 9 | 33558 | Rear Bumper Asm. |
| 2 | 33523 | Left Torsion Spring Cover | 10 | 33563 | Adhesive Foam Strip |
| | 33528 | Right Torsion Spring Cover (Not Shown) | 11 | 33568 | Left Bumper Asm. |
| 3 | 33533 | Left Torsion Spring | | 33573 | Right Bumper Asm. (Not Shown) |
| | 33538 | Right Torsion Spring (Not Shown) | 12 | 33578 | Left Bumper Spacer |
| 4 | 33543 | Push In Fastener (2) | | 33583 | Right Bumper Spacer (Not Shown) |
| 5 | 14913 | Screw 4-40 x 3/16" | 13 | 14983 | Right Button Block |
| 6 | 33548 | Foam Strip | | 14978 | Left Button Block (Not Shown) |
| 7 | 33263 | Shell Asm. | 14 | 14018 | Push Button & Spring Asm. |
| 8 | 33553 | Front Bumper Asm. | | | |



**NOTE: Order parts by Catalog Number only.
DO NOT order by Reference Number.**

| Ref. No. | Catalog No. | Description | Ref. No. | Catalog No. | Description |
|----------|-------------|--------------------------------|----------------------|-------------|-------------------------|
| 1 | 33308 | LCD Only | 12 | 33338 | Kickstand |
| 2 | 33313 | Rear Pocket | 13 | 14878 | Kickstand Retainer Asm. |
| 3 | 33298 | Screw, 8-32 x 1/4" (10) | 14 | 33343 | Screw, 6-32 x 1/4" (8) |
| 4 | 33363 | Adhesive Gasket | 15 | 33348 | Neoprene Foam |
| 5 | 33318 | Middle Plate w/Electronics | 16 | 33353 | Foam Rubber |
| 6 | 33368 | Power Supply | 17 | 33268 | Screw, 8-32 x 3/8" (2) |
| 7 | 33323 | Power Supply Retaining Bracket | 18 | 33358 | Bushing |
| 8 | 33328 | Battery Insulation Label | Note Items Not Shown | | |
| 9 | 33333 | Bottom Plate | | 33373 | Power Cord Only (U.S.) |
| 10 | 14918 | Bottom Leg | | 33378 | Power Cord Only (Euro) |
| 11 | 14923 | Screw, 10-32 x 5/8" (4) | | | |



**NOTE: Order parts by Catalog Number only.
DO NOT order by Reference Number.**

| Ref. No. | Catalog No. | Description | Ref. No. | Catalog No. | Description |
|----------|-------------|----------------------------|----------|-------------|----------------------------|
| 1 | 33848 | Bulkhead | 13 | 88047 | Split Lock Washer |
| 2 | 33853 | Pipe Light (5) | 14 | 33888 | Spacer (8) |
| 3 | 33858 | Front Label | 15 | 33893 | Stainless Steel Washer (2) |
| 4 | 33863 | Power Supply Strap | 16 | 33898 | Nylon Washer (2) |
| 5 | 33343 | Screw, 6-32 x 1/4" (2) | 17 | 33318 | Plate w/Electronics |
| 6 | 33928 | Screw, 4-40 x 3/8" (4) | 18 | 87247 | Adhesive Wire Clips (3) |
| 7 | 33868 | Battery Socket | 19 | 33938 | Light Grommet (5) |
| 8 | 33873 | Warning Label | 20 | 33908 | Screw, 3-24 x 1/2" (4) |
| 9 | 33878 | Circuit Board Assembly | 21 | 33913 | Shoulder Washer |
| 10 | 33883 | Ground Terminal Cable Asm. | 22 | 33918 | Ground Terminal |
| 11 | 33933 | Hex Nut | 23 | 33923 | RCA Cover |
| 12 | 91767 | 4-40 Hex Nut (8) | | | |