

## Water Jetters

The highly flexible, lightweight hose blasts through sludge, soap and grease blockages. As you pull the hose back, it power washes the line, flushing debris away and restoring drain lines to their full, free-flowing capacity.

### With Pulse Action

If sharp bends in the line are difficult to negotiate, activate the Pulse Action to make the hose vibrate and push its way through.

- **Easy to use:**

Thrust propels the hose down the line. You simply guide the hose into the drain.

- **Pulse Action:**

Activate the pulse action to easily negotiate difficult bends and traps.

- **Portable:**

The optional cart rolls the jetter and hose to the job site. The jetter is easily removed from the cart in seconds for hard to reach drains or indoor applications.

- **Convenient:**

Standard equipment with KJ-2200 and KJ-3000 includes FV-1 foot valve. It makes remote or indoor operation simple and safe. You control the jetting action at the drain while leaving the jetter outdoors.

- **Versatile:**

Optional power washer package cleans cables, tools and other heavily soiled equipment.

### Pressure Wash Package



**KJ-1590**  
Electric  
Water Jetter  
Flow: 15 l/min.  
Max. pressure:  
90 bar

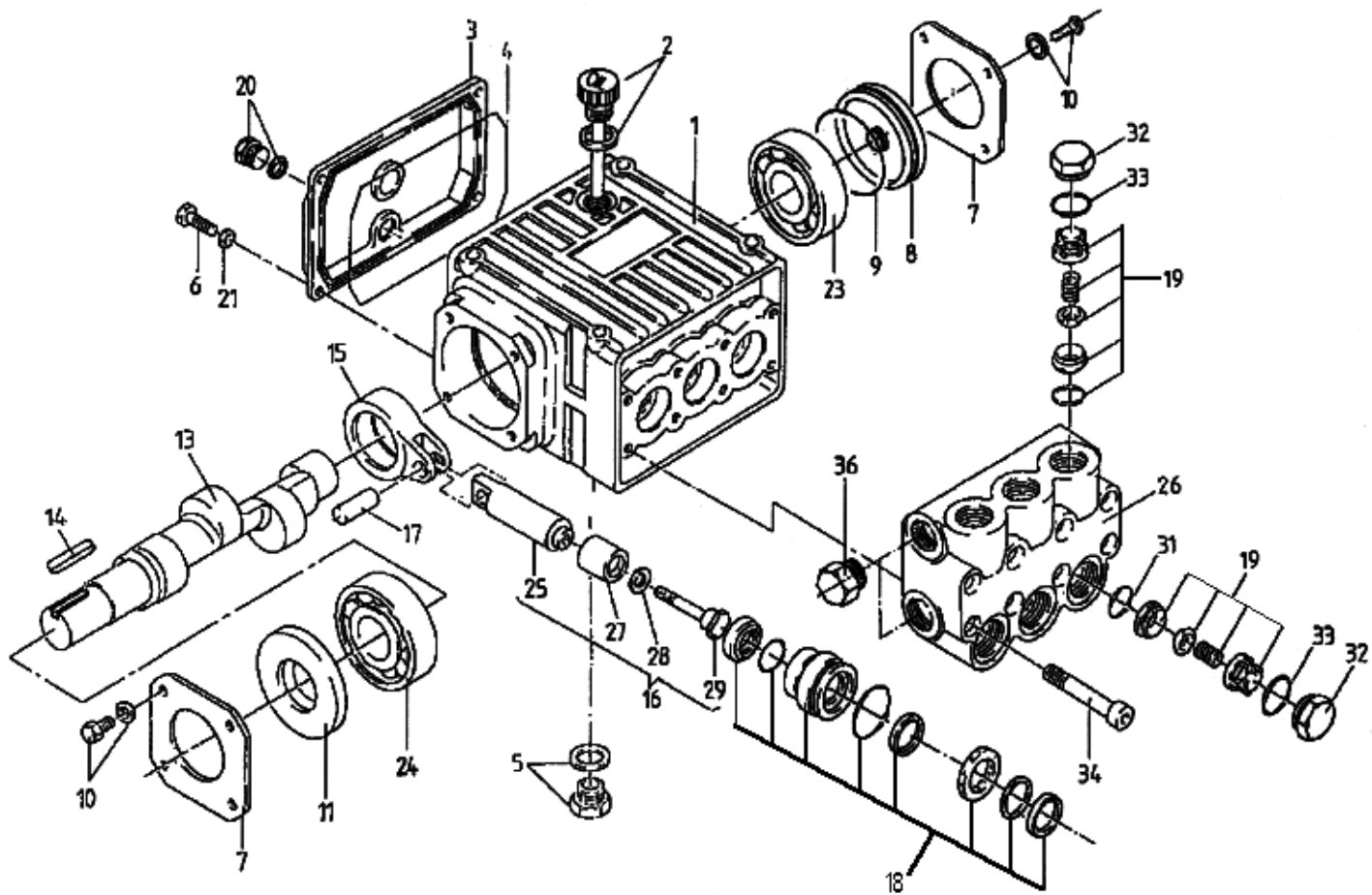


- For 32mm through 150mm lines.
- Convenient cable storage
- Powerful 2.2kW motor with overload protection
- 3-plunger pump with pulse action.
- Dual-type inlet connector. Inlet filter, non-return valve and inlet valve.
- Clamps for easy removal of jetter from the cart.
- Heavy duty steel reel with 33m of 1/4" hose.

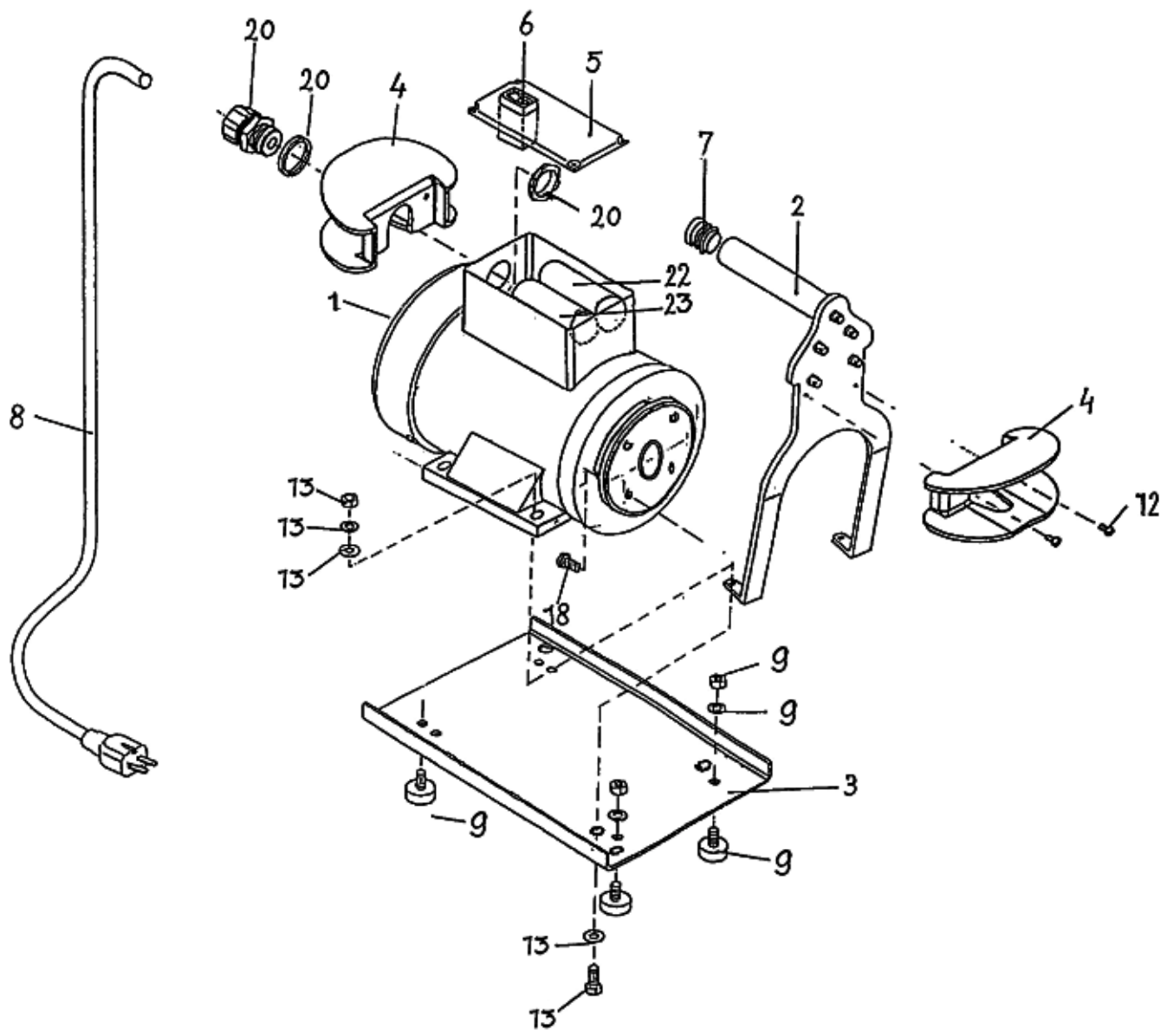
Cat. No.	Model No.	Description	Weight kg
25901	KJ-1590-C	KJ-1590 with cart, 1/4" x 33m hose, 1/4" propulsion nozzle, 1/4" penetrating nozzle	72,5
25931	KJ-1590	KJ-1590 as above, with 1/4"x 15m hose, and no cart	35,0

**Accessories**  
See page 131

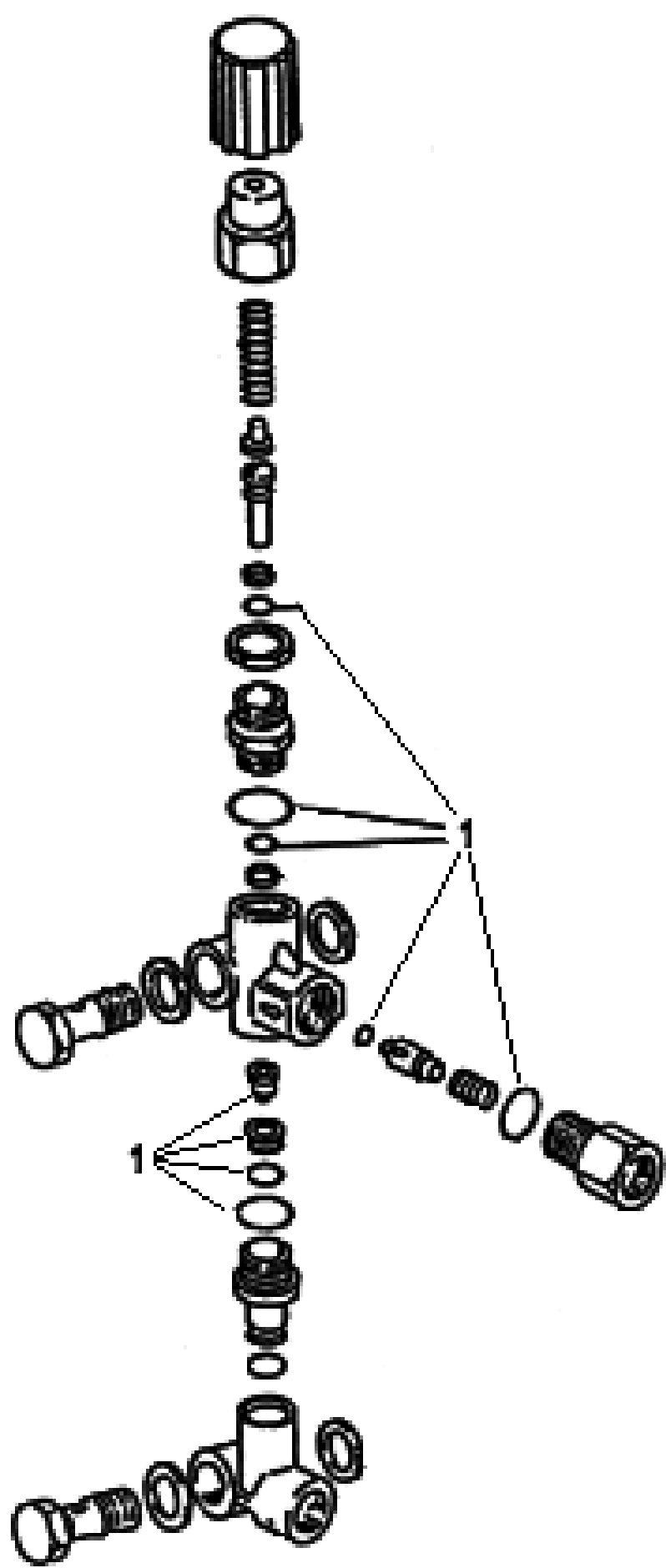
# Drain Cleaning Machines



RefNo	CatNo	Description
1	61376	CRANKCASE
2	61386	OIL DIPSTICK
3	61396	CRANKCASE COVER
4	61416	O-RING
5	61426	PLUG ASSY
6	61436	CYLINDER SCREW
7	61456	BEARING COVER
8	61466	OIL SIGHT GLASS
9	61476	O-RING
10	61486	SCREW
11	61496	SEAL
13	61526	CRANKSHAFT
14	61556	KEY
15	61566	CONNECTING ROD
16	61576	PLUNGER ASSY 18MM DIA
17	61626	CROSSHEAD PIN
18	61086	SEAL REPAIR KIT
19	61096	VALVE REPAIR KIT
20	61406	DRAIN PLUG ASSY
21	61446	SPRING WASHER
23	61506	BALL BEARING
24	61516	BALL BEARING
25	61586	PLUNGER ASSY 18MM DIA
27	61596	PLUNGER PIPE
28	61606	TENSION SCREW
29	61616	COPPER WASHER
32	61646	PLUG
33	61656	O-RING
34	61666	HEX SCREW
36	61676	PLUG G 3/8



RefNo	CatNo	Description
1	60946	MOTOR COMPLETE 230V
2	60956	HANDLE COMPLETE
3	60966	BASE
4	63937	CORD WRAP
5	60986	CONDUIT BOX COVER
6	60976	SWITCH ASSY
7	60996	END PLUG
8	27656	POWER CORD W/PLUG
9	61056	RUBBER MOUNT KIT
12	61046	PKG OF 2 SCREWS & NUTS M5
13	61056	RUBBER MOUNT KIT
18	61016	PKG OF 4 SCREWS M6 X 25
20	61036	STRAIN RELIEF
22	61066	START CAPACITOR
23	61076	CAPACITOR BC
-	60926	PRESSURE GAUGE - KJ1590



RefNo	CatNo	Description
1	61366 609333	REPAIR KIT