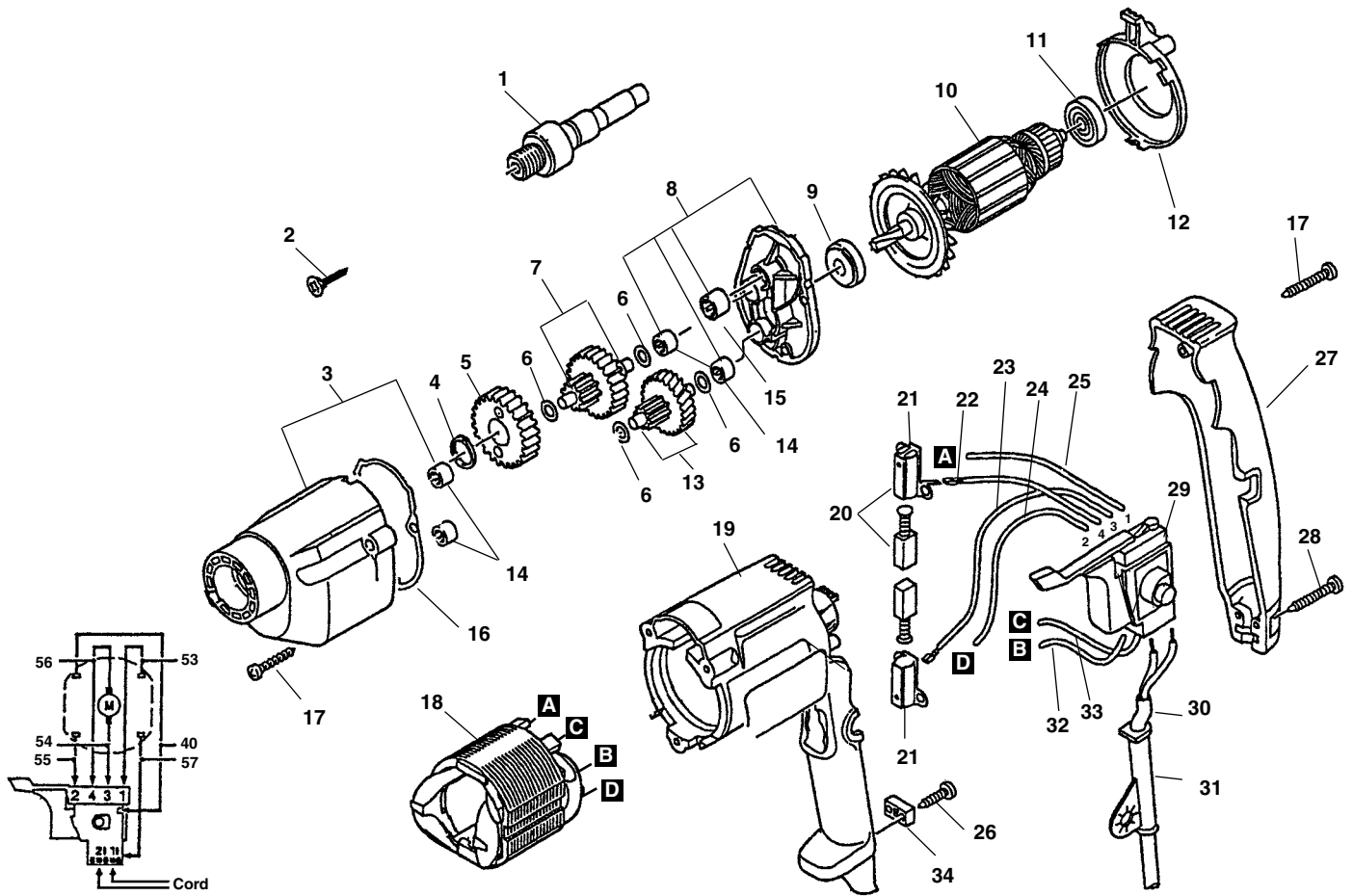


**NOTE: Order parts by Catalog Number only.
DO NOT order by Reference Number.**

Ref. No.	Catalog No.	Description	Ref. No.	Catalog No.	Description
1	67962	A-39 AUTOFEED®	12	47252	Gasket
2	55247	Cable Chuck	13	68927	Drum Front
3	68937	Pan Head Screw #10 - 24 (4)	14	68917	Drum Liner
4	55257	Chuck Adapter	15	69542	Screw #10 - 32 x 1" (4)
5	68957	Nose Piece	16†	68932	Drum Back
6	41512	Spiral Ring (2)	17†	73992	Power Unit (120V 60Hz)
7	41517	Hand Grip		68952	Power Unit (220/240V 50Hz)
8	68922	Sleeve	18†	18678	12DVC Power Unit with Battery
9	68947	Clamp Springs (2)	19	42402	Screw, K-39, K-39B 7.2V (*LH Thread)
10	55252	Spacer		19128	Screw, M5 (K-39B 2V, *LH Thread)
11	68942	Clips (4)			

† See Service Notes

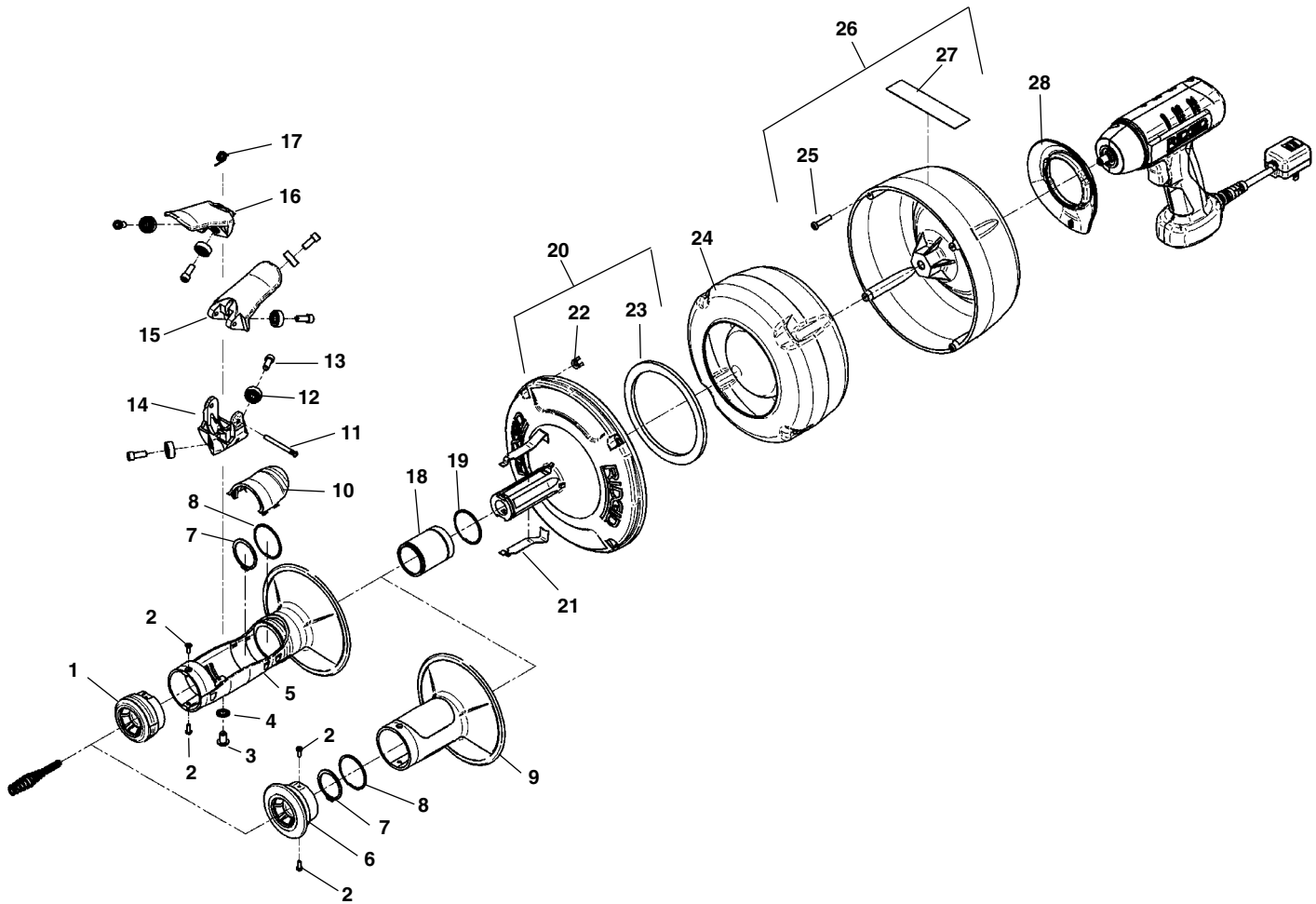
220V European Power Unit New Style



**NOTE: Order parts by Catalog Number only.
DO NOT order by Reference Number.**

Ref. No.	Catalog No.	Description	Ref. No.	Catalog No.	Description
1	19218	Spindle, 1/2" x 20	19	19228	Motor Housing
2	19208	Screw, LH	20	19233	Brush Set
3	21258	Gear Housing Assembly	21	19193	Brush Holder
4	21288	Retaining Ring	22	21318	Wire, 88mm
5	21293	Gear	23	21308	Wire, 48mm
6	21328	Shim	24	21313	Wire, 78mm
7	21263	Gear w/Pinion	25	21303	Wire, 117mm
8	21248	Int. Plate Assembly	26	19198	Screw, Clamp Holder
9	19183	Ball Bearing	27	19248	Handle Cover
10	19158	Armature	28	19213	Screw, Handle
11	19188	Ball Bearing	29	19163	Switch
12	21253	Baffle	30	19168	Cord
13	21268	Gear w/Pinion	31	19173	Strain Relief
14	21278	Needle Bearing	32	21323	Wire, 122mm
15	21298	Needle Bearing	33	21283	Wire, 162mm
16	21273	Gasket	34	19178	Cord Clamp
17	19203	Screw, Handle	—	19223	Capacitor, RFI
18	19153	Field			

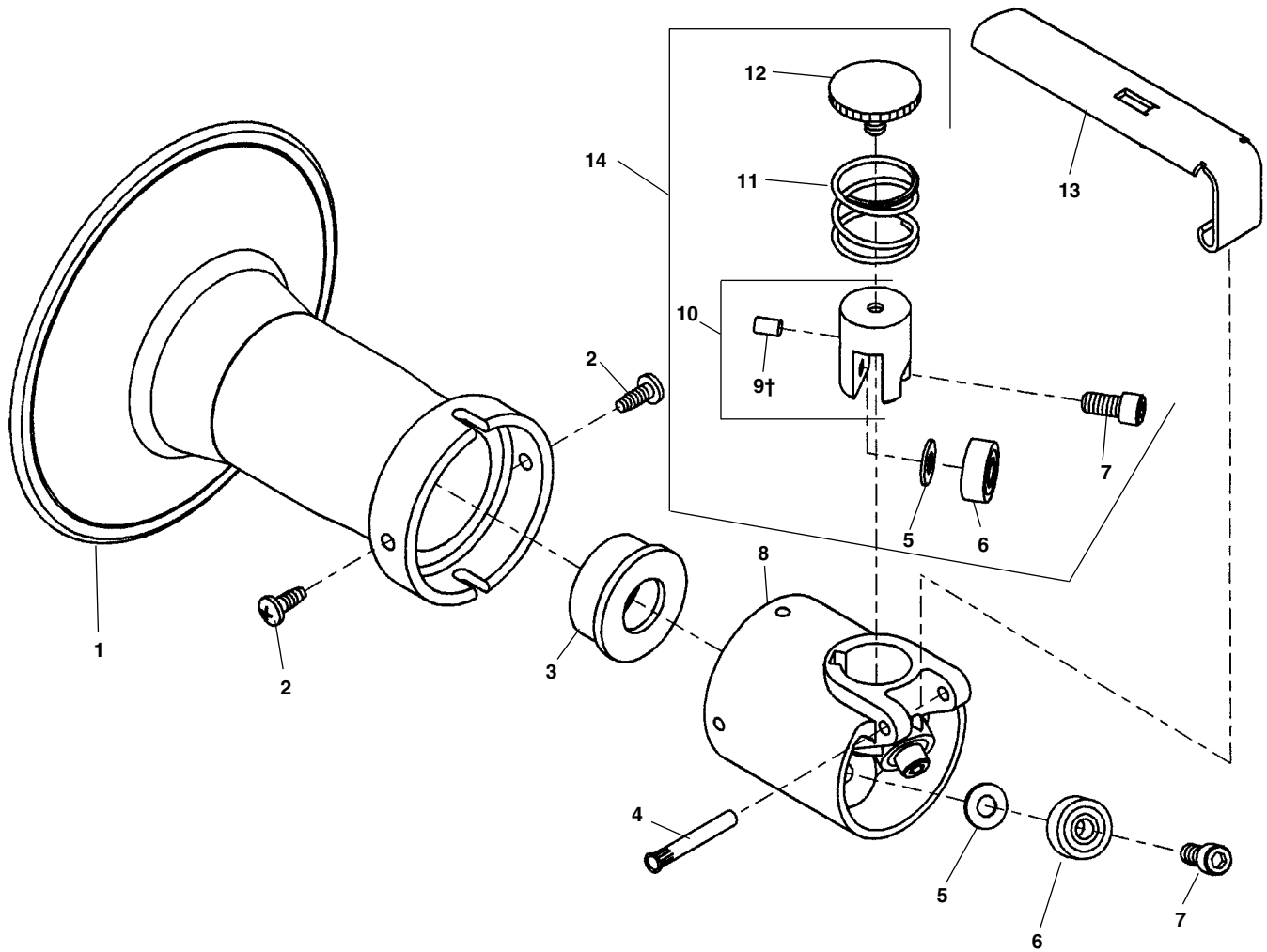
New AUTOFEED® Style



**NOTE: Order parts by Catalog Number only.
DO NOT order by Reference Number.**

Ref. No.	Catalog No.	Description	Ref. No.	Catalog No.	Description	Ref. No.	Catalog No.	Description
1	24163	Nose Piece, Auto	11	24208	Pivot Pin	21	24243	Clamp Spring
2	24168	Screw	12	67997	Roller Bearing	22	68942	Clips
3	24178	Button Screw 5/16"-18	13	39830	Socket HD Cap Screw	23	47252	Gasket
4	92255	Lock Washer	14	24213	Auto Feed Carriage	24	68917	Drum Liner
5	24183	Hand Grip, Auto	15	24218	Reverse Lever	25	69542	Screw #10-32 X 1"
6	24188	Nose Piece, Manual	16	24223	Forward Lever	26	68932	Drum Back
7	24193	Retaining Ring	17	24228	Torsion Spring	27	24248	Caution Label
8	41512	Spiral Ring	18	24233	Sleeve	28	24253	Trigger Guard
9	24198	Hand Grip, Manual	19	41512	Spiral Ring			
10	24203	Top Grip Cap	20	24238	Drum Front			

AUTOFEED®



**NOTE: Order parts by Catalog Number only.
DO NOT order by Reference Number.**

Ref. No.	Catalog No.	Description	Ref. No.	Catalog No.	Description
—	67962	A-39 AUTOFEED®	7	39830	Socket HD Cap Screw (3)
—	67952	A-38PF Kit for K-38 Drain Cleaner	8	67967	AUTOFEED® Body
1	41517	Hand Grip (A-38PF Only)	9†	54007	Roll Pin 1/4" x 3/8"
2	68937	Pan Head Screw 10-32 x 1" (4)	10	68017	Top Roller Holder
3	68957	Nose Piece (A-38PF Only)	11	68012	Return Spring
4	32107	Pivot Pin	12	68007	Top Adjustment Screw
5	67992	Flat Thrust Washer (3)	13	68002	Feed Actuator Lever
6	67997	Roller Bearing (3)	14	76597	Top Roller Holder Assembly

† – See Service Notes

Service Notes:

- Apply Texclad #2 grease to the following areas:
 - Top surface and threads of item #7 (Top Adjustment Screw)
 - Outside Dia. of item #10 (Roller Holder)
- Locate slot in Roll Pin item #9 at six-o'clock position and press to dimension shown

